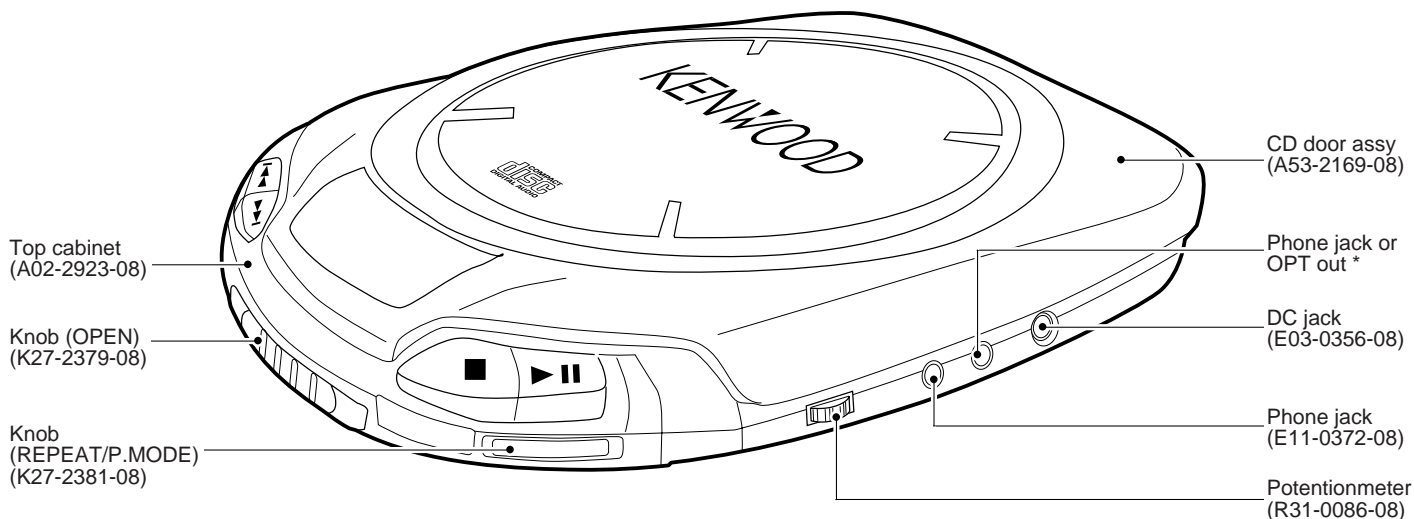


# DPC-X707/X802

## SERVICE MANUAL



\* Refer to parts list on page 12.

## SPECIFICATIONS

### Format

System ..... Compact disc digital audio system  
 Laser ..... Semiconductor laser

### Audio

Frequency response ..... 20 Hz to 20 kHz,  $\pm 3$  dB  
 PHONES output level (16  $\Omega$ , 1 kHz) ..... 10 mW + 10 mW  
 Line output/impedance ..... 0.55 Vrms/1 k $\Omega$

### Power supply

External DC supply ..... 4.5V to 6 V DC  
 Rechargeable batteries (NB-88) x 2 or 4 ..... DC 2.4 V  
 Commercially-available alkaline batteries (LR6/AA) x 2 or 4 ..... DC 3 V

### Battery life (continuous repeat playback)

(Figures inside parentheses show the performance when the D.A.S.C. is ON.)

Commercially-available alkaline batteries (LR6/AA) x 2 ..... Approx. 12 (9.5) Hours  
 Commercially-available alkaline batteries (LR6/AA) x 4 ..... Approx. 29 (20) Hours  
 Rechargeable batteries (NB-88) x 2 ..... Approx. 5.5 (4.5) Hours  
 Alkaline batteries (LR6/AA) x 2 and rechargeable batteries (NB-88) x 2 ..... Approx. 18 (15) Hours

Dimensions (W x H x D) ..... 129 mm x 29.5 mm x 151 mm  
 (5 - 1/16" x 1 - 3/16" x 5-15/16")

Weight (net) ..... 272 g (9.6 oz)

### Note:

KENWOOD follows a policy of continuous advancements in development. For this reason specifications may be changed without notice.

In compliance with Federal Regulations, following are reproductions of labels on, or inside the product relating to laser product safety.

KENWOOD-Corp. certifies this equipment conforms to DHHS Regulations No. 21 CFR 1040. 10, Chapter 1, Subchapter J.

**DANGER : Laser radiation when open and interlock defeated. AVOID DIRECT EXPOSURE TO BEAM.**



# DPC-X707/X802

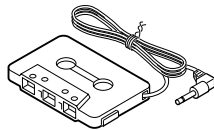
## CONTENTS / ACCESSORIES

### Contents

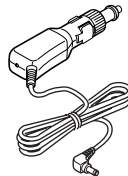
SPECIFICATIONS .....	Top cover	SCHMATIC DIAGRAM .....	7
CONTENTS / ACCESSORIES .....	2	EXPLODED VIEW .....	11
CIRCUIT DESCRIPTION .....	3	PARTS LIST .....	12
PC BOARD .....	5		

### Accessories

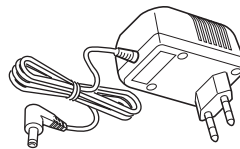
Car cassette adapter (1)  
(W01-0922-05): X802 Model



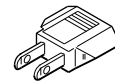
Car battery adapter (1)  
(W01-0921-05): X802 Model



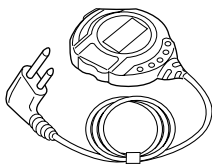
AC adapter (1)  
(W08-0658-08): E8E7  
(W08-0675-08): M7M8  
(W08-0679-08): X8X7  
(W09-1251-05): K8P8  
(W08-0678-08): T7T8



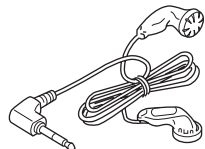
AC plug adaptor (1)  
(E03-0115-05): M7M8



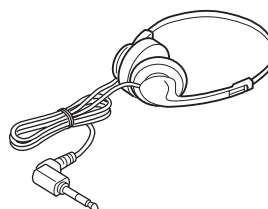
LCD remote (1)  
(A70-1171-05): M7X7



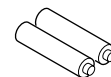
Innerphone (1)  
(W01-0923-05): M7X7  
(W01-0925-05): X8E8E7M8  
(W01-0975-08): T7T8



Headphone (1)  
(W01-0924-05): K8P8



Rechargeable battery (2)  
(W09-1240-05): M7E7X7  
M8T7T8



# DPC-X707/X802

## CIRCUIT DESCRIPTION

### 1. Microprocessor:CXP83517Q(IC3)

#### 1-1Pin Description

Pin No.	Name	I/O	Description
1	BEEP	O	NOT USED
2	PE6	-	NOT USED
3	SENS2	I	SENSITIVITY INPUT
4	FOK	I	FOCUS OK SIGNAL L: FOCUS DOWN H: FOCUS OK
5	SQCK	O	SUB Q SIGNAL READ TIMING CLOCK (TO CXD3009Q)
6	SQSO	I	CD SUB CODE INPUT (FROM CXD3009Q)
7	DATA	O	DATA TO CXD3009Q
8	YMCLK	O	SIGNAL OUTPUT (TO SM5903AF)
9	ZSENSE	I	SENSITIVE SIGNAL INPUT(FROM SM5903AF)
10	YMDATA	O	DATA SIGNAL OUTPUT (TO SM5903AF)
11	AMUTE	O	AUDIO MUTE L: MUTE OFF H: MUTE ON
12	MIX	O	NOT USED
13	SOUND	O	NOT USED
14	BBS	O	NOT USED
15	REM-DATA	O	REMOCON DATA OUTPUT
16	OPT	O	NOT USED
17	LIGHT	O	BACK LIGHT SIGNAL OUTPUT L: ON H: OFF
18	POWER	O	POWER OUTPUT L: OFF H: ON
19	DIG-OUT	I	DIGITAL OUTPUT ON/OFF CONTROL L: OFF H: ON
20	BATT	I	BATTERY POWER SUPPLY MONITOR 1.4V~3.0V :OUTSIDE P.S 0V~1.4V :INSIDE BATT.
21	RECHG	I	RECHARGEABLE MONITOR 1.5V~3.0V :NON RECHARGEABLE 0V~1.5V :EXIST RECHARGEABLE
22	KEY	I	KEY INPUT
23	REKEY	I	REMOCON KEY INPUT
24	HOLD	I	HOLD SW INPUT
25	DRAM	I	DRAM SET UP INPUT
26,27	DASC1,2	I	DASC SW1(HI)/SW2(ST) INPUT L: HI H: OFF H: ST
28	NRESET	I	SYSTEM RESET
29	EXTAL	-	SYSTEM CLOCK
30	XTAL	-	SYSTEM CLOCK
31	VSS	-	GND
32	VL	-	LCD POWER SUPPLY
33-35	VLC3-1	-	LCD POWER SUPPLY
36-39	COM0-3	O	COMMON SIGNAL(0-3) TO LCD
40-54	L SEG0-14	O	SEGMENT SIGNAL (SEG0-14) TO LCD
55	L SEG15	O	NOT USED
56	PDO	O	NOT USED
57	CHG-OUT	O	RECHARGEABLE ACTIVE OUTPUT L: OFF H: ON
58	B.B/P.GE	O	NOT USED
59	TIMER	O	NOT USED
60	PD4	O	NOT USED
61	DBB	O	DBB SIGNAL OUTPUT H: DSP B.B OFF L: DSP B.B MID or MAX
62	REM-LGH	O	NOT USED
63	REM-DAT	O	REMOCON DATA OUTPUT L: OUTPUT DATA H: OFF
64	PFO	O	EMPHASIS TO CXD3009Q L: OFF H: ON
65	PF1	O	LATCH TO CXD3009Q
66	YMLD	O	LATCH TO SM5902
67	YDMUTE	O	MUTE TO SM5902 L: OFF H: ON
68	RESET	O	RESET TO CXD3009Q/CXA2542/SM5903AF L: RESET
69	PF5	O	NOT USED
70	VDD	-	POWER SUPPLY
71	TX	-	NOT USED
72	TEX	-	NOT USED
73	NC	-	NOT USED
74	PF6	-	NOT USED
75	PF7	-	NOT USED
76	SCOR	I	SUB CODE SYNCHRO INPUT FROM CXD3009Q
77	DOOR	I	CD DOOR OPEN DETECT INPUT/OUTPUT L: CLOSE H: OPEN
78	EMP	I	DECREASE VOLTAGE DETECT L: EMP H: FULL
79	SENSE	I	SENSITIVITY SIGNAL INPUT FROM CXD3009Q
80	BB/P.GEIN	I	CONNECT TO GND

# DPC-X707/X802

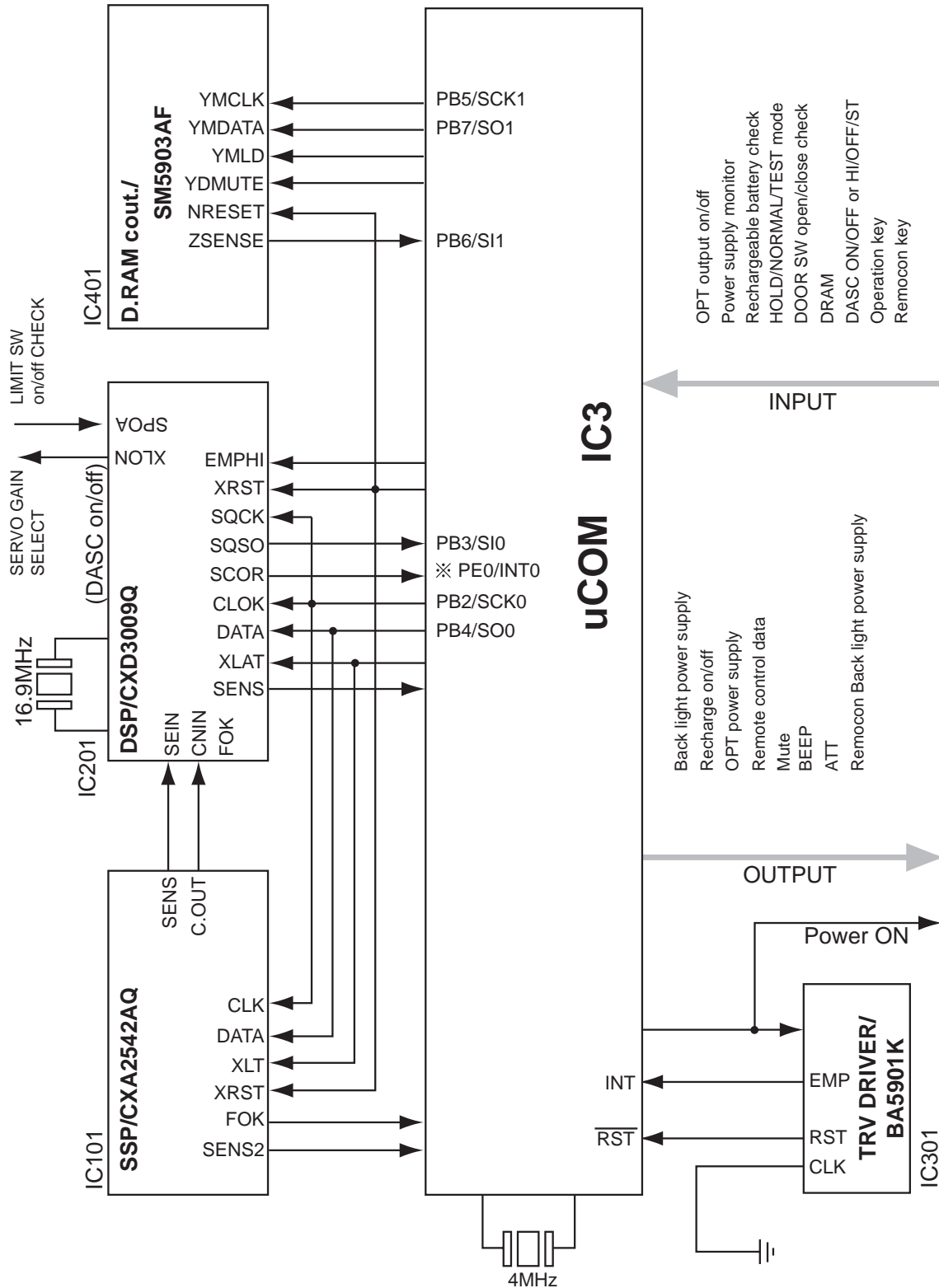
## CIRCUIT DESCRIPTION

### 1-2 VOLTAGE of A/D KEY

V(IC3,22PIN)	KEY
0.00~0.74	PLAY/PAUSE
0.75~0.98	STOP
0.99~1.21	UP
1.22~1.42	B.BOOST

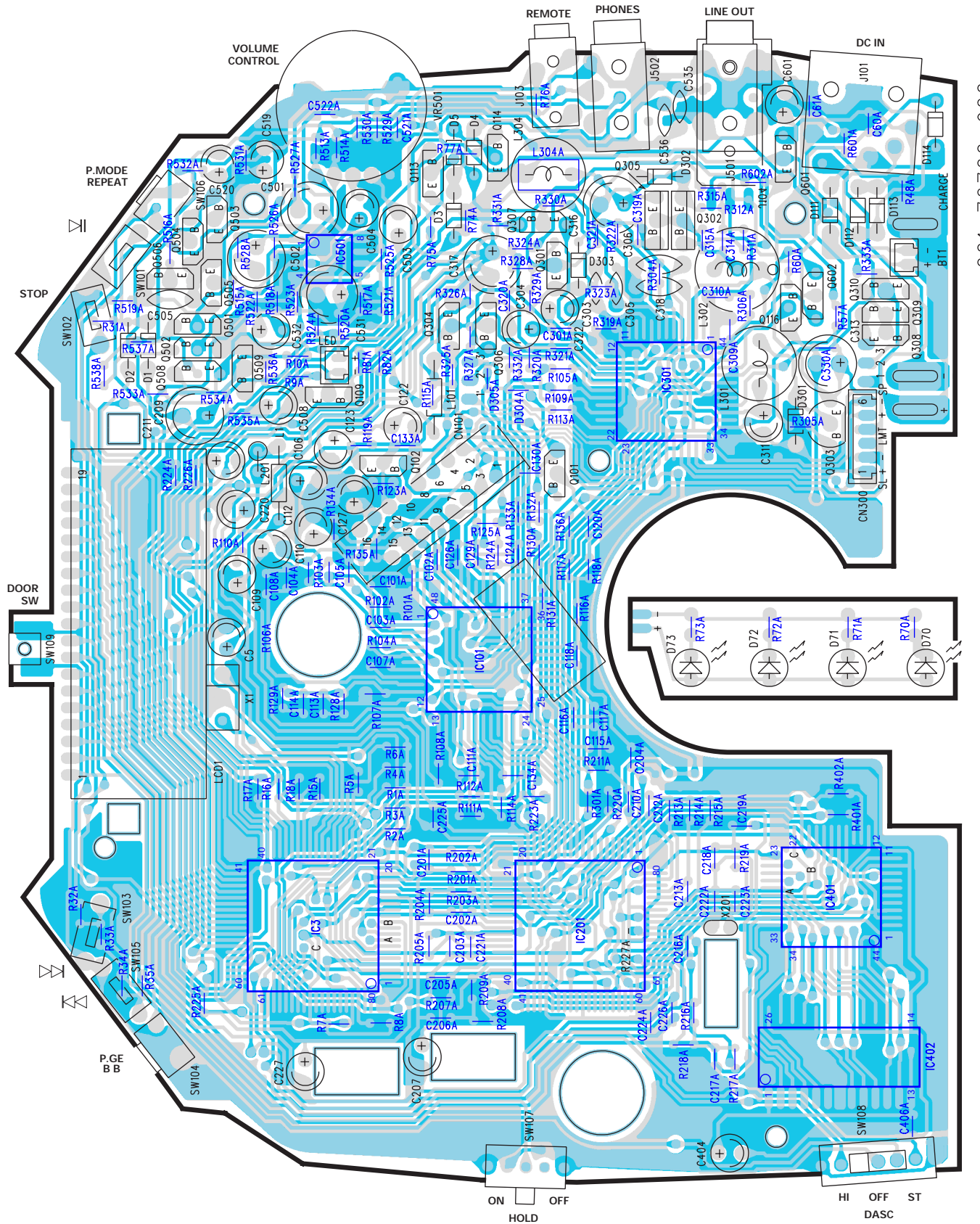
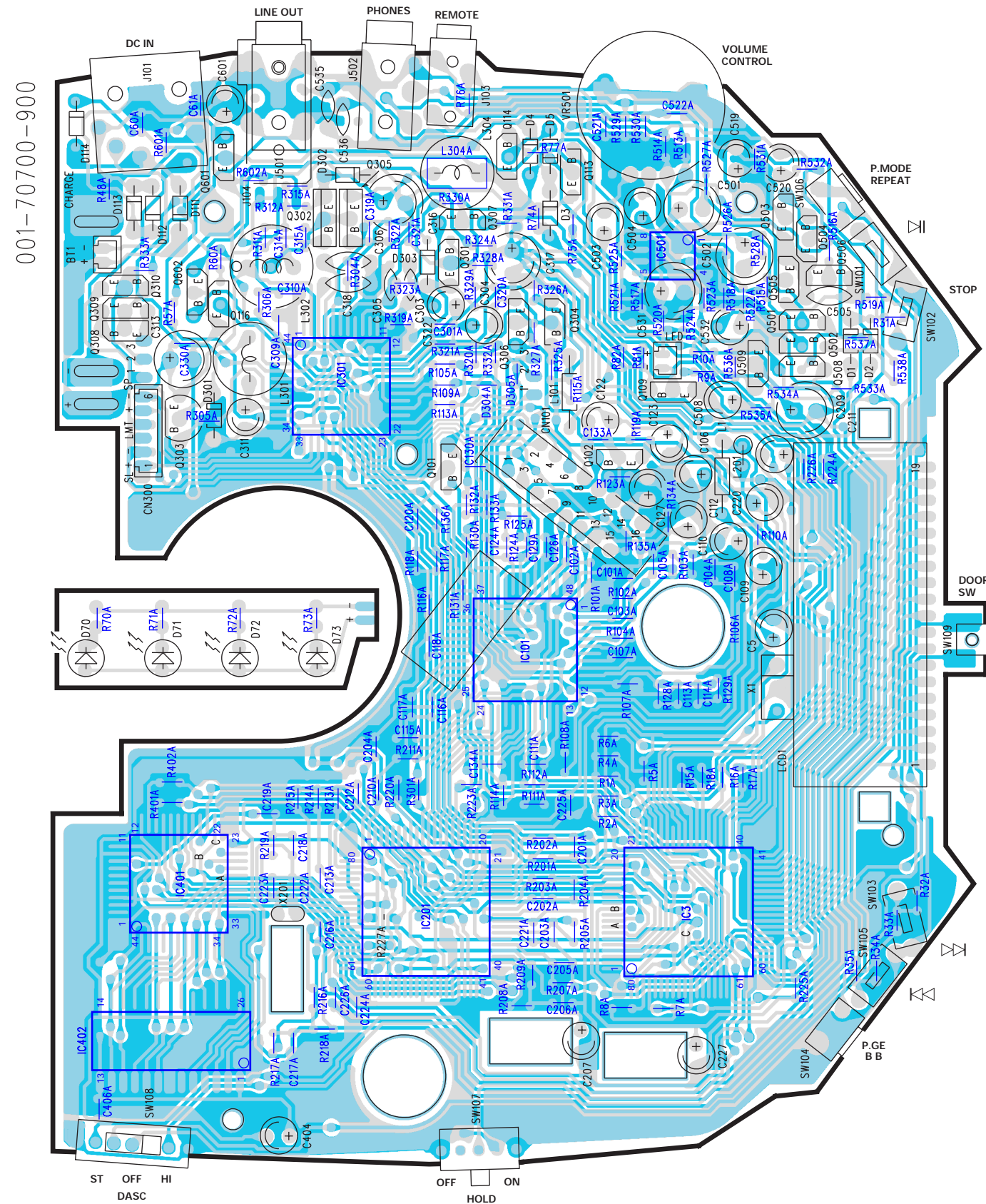
V(IC3,22PIN)	KEY
1.43~1.68	DOWN
1.69~2.11	REPEAT/P.MODE
2.12~2.53	MUTE
2.54~3.00	KEY OFF

### 1-3 Microprocessor peripheral block diagram



# PC BOARD(Component side view)

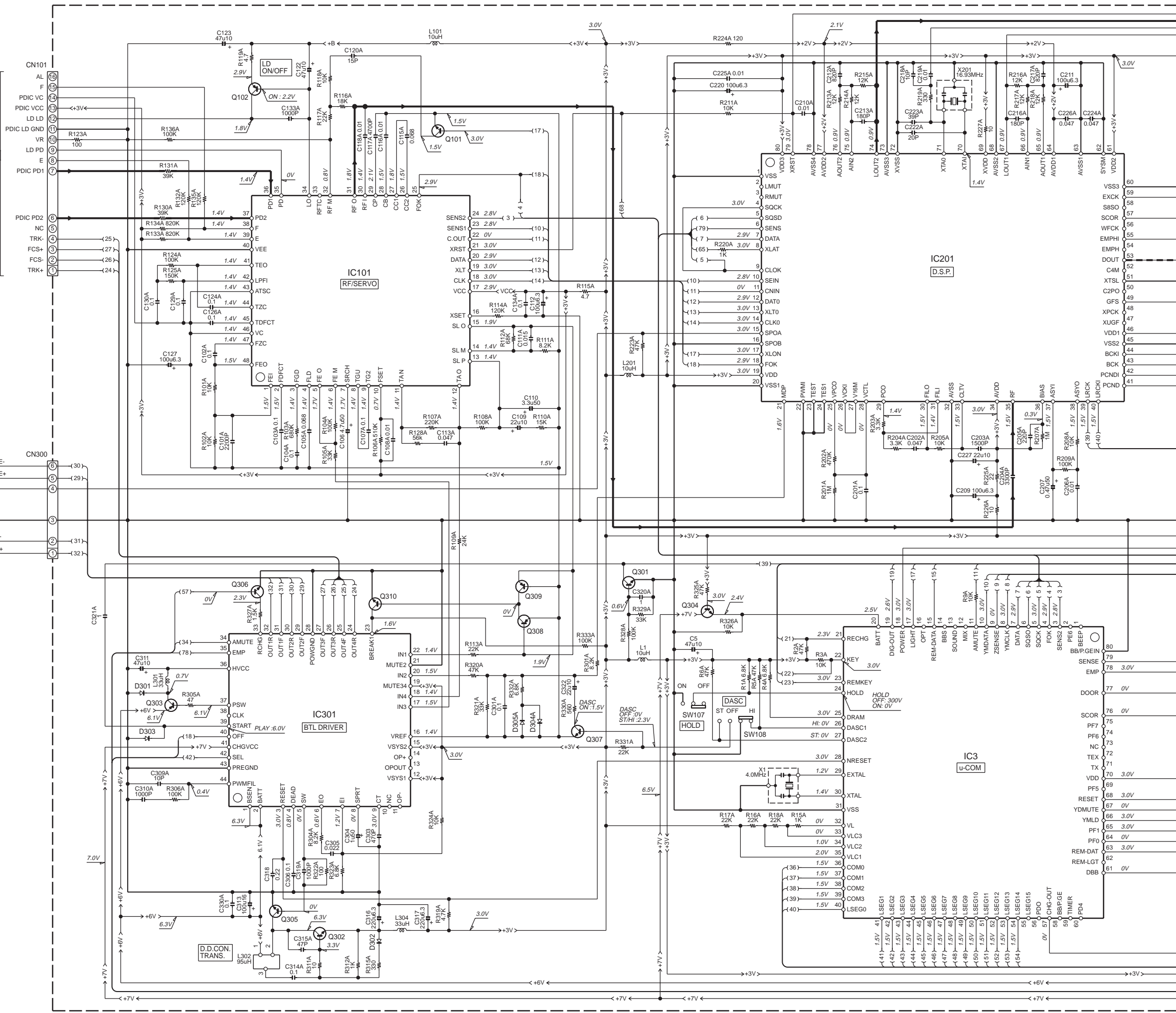
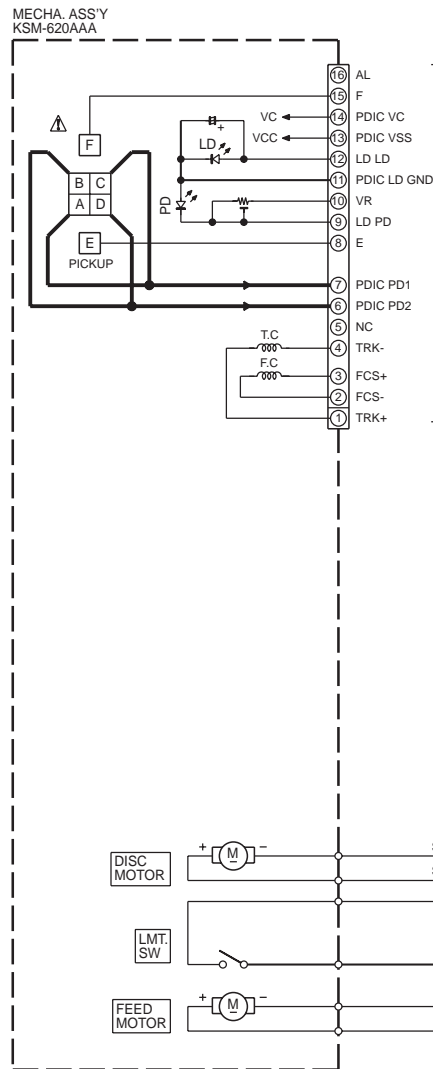
# PC BOARD(Foil side view)



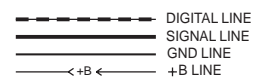
001-70700-900

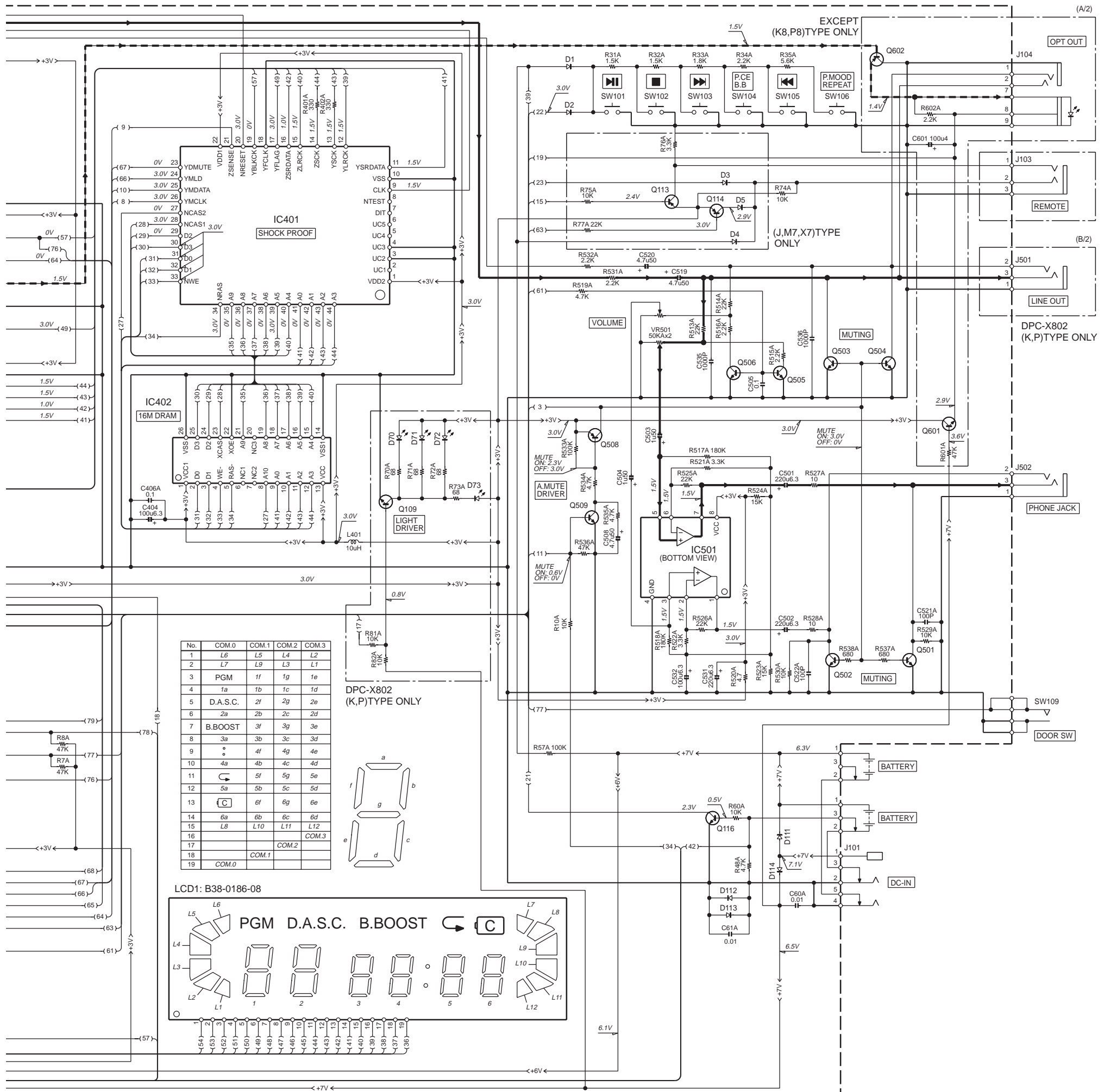
001-70700-900

Refer to the schematic diagram for the value of resistors and capacitors.

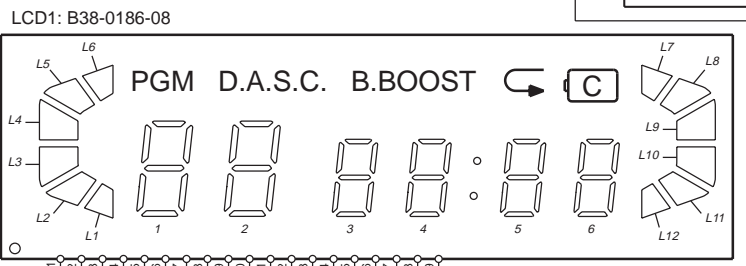


- IC3 : CXP83517-501Q  
 IC101 : CXA2542AQ  
 IC201 : CXD3009Q  
 IC301 : BA5901K  
 IC401 : SM5903AF  
 IC402 : MN41V17400CTT6  
 IC501 : TDA1308T
- Q101,306 : 2SC4048-AC  
 Q102,602,113,114,508 : 2SA1317  
 Q109,116,301,304,509,601 : 2SC3330  
 Q302 : 2SC4481T  
 Q303 : 2SB598F  
 Q305 : 2SD1805G  
 Q307,503-506 : 2SC3860  
 Q310 : 2SC3400  
 Q308,309 : 2SA1497  
 Q501,502 : 2SD1936T
- D1-4,112,113,302,303 : GMB01-BT  
 D5,301 : SB10-03A3-BT  
 D70-73 : B30-2561-08  
 D111,114 : 1N4001  
 D304A,305A : 1SS355



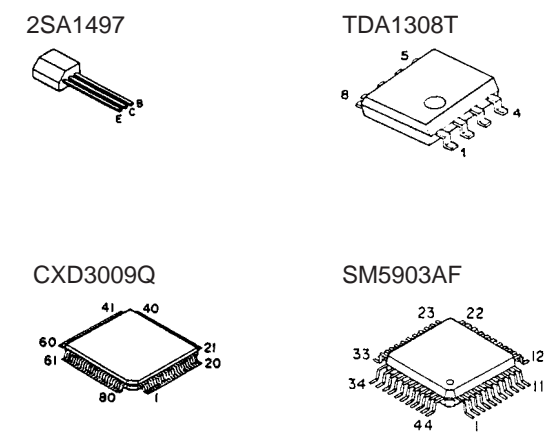


No.	COM.0	COM.1	COM.2	COM.3
1	L6	L5	L4	L2
2	L7	L9	L3	L1
3	PGM	1f	1g	1e
4	1a	1b	1c	1d
5	D.A.S.C.	2f	2g	2e
6	2a	2b	2c	2d
7	B.BOOST	3f	3g	3e
8	3a	3b	3c	3d
9	*	4f	4g	4e
10	4a	4b	4c	4d
11	5f	5g	5e	
12	5a	5b	5c	5d
13	C	6f	6g	6e
14	6a	6b	6c	6d
15	L8	L10	L11	L12
16				COM.3
17				COM.2
18				COM.1
19				COM.0



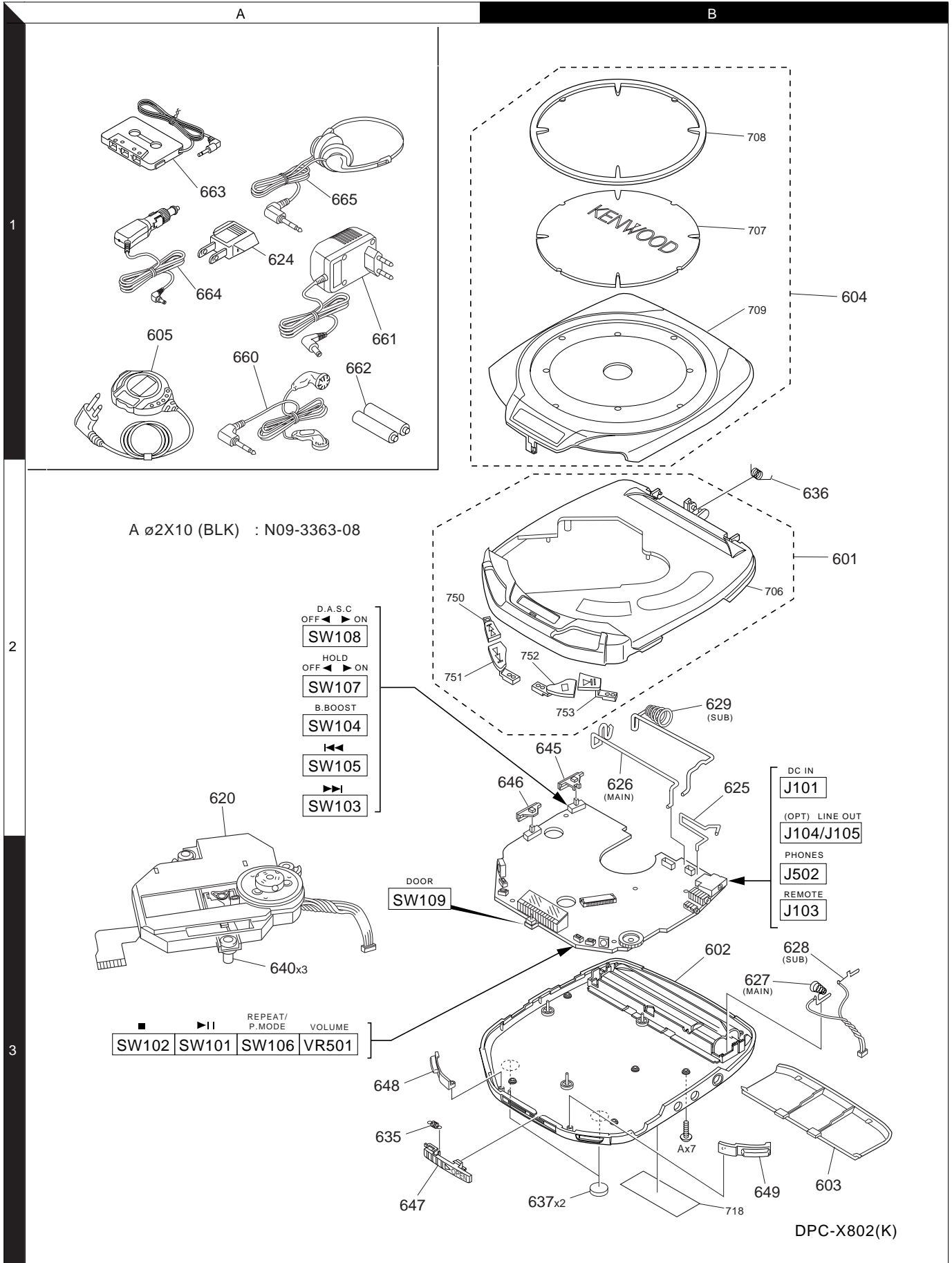
**CAUTION:** For continued safety, replace safety critical components only with manufacturer's recommended parts (refer to parts list).  $\Delta$  indicates safety critical components. For continued protection against risk of fire, replace only with same type and rating fuse(s). To reduce the risk of electric shock, leakage-current or resistance measurements shall be carried out (exposed parts are acceptably insulated from the supply circuit) before the appliance is returned to the customer.

The DC voltage is an actual reading measured with a high impedance type voltmeter. The measurement value may vary depending on the measuring instruments used or on the product. Refer to the voltage during PLAY with DASC OFF (at the normal speed) unless otherwise specified; The value shown in ( ) is the voltage measured at the moment of STOP.



# DPC-X707/X802

## EXPLODED VIEW (UNIT)





\* New Parts  
Parts without **Parts No.** are not supplied.  
Les articles non mentionnes dans le **Parts No.** ne sont pas fournis.  
Teile ohne **Parts No.** werden nicht geliefert.



Ref. No	Add-ress	New Parts	Parts No.	Description	Desti-nation	Re-marks
<b>DPC-X707/X802</b>						
601	2B	*	A02-2923-08	TOP CAB ASSY		
602	3B	*	A02-2926-08	BOTTOM CABINET,104-07070-001	E7X7M7	
602	3B	*	A02-2926-08	BOTTOM CABINET,104-07070-001	T7T8	
602	3B	*	A02-2926-08	BOTTOM CABINET,104-07070-001	X8E8M8	
602	3B	*	A02-2927-08	BOTTOM CABINET,104-07070-002	K8P8	
603	3B	*	A09-1157-08	BATTERY COVER 111-07070-0910		
604	1B	*	A53-2168-08	CD DOOR ASSY	E7M7X7	
604	1B	*	A53-2168-08	CD DOOR ASSY	T7	
604	1B	*	A53-2169-08	CD DOOR ASSY	K8E8X8	
604	1B	*	A53-2169-08	CD DOOR ASSY	M8T8	
605	1A		A70-1171-05	REMOCON 182-07950-001	M7X7	
-			B46-0100-50	WARRANTY CARD 155-01711-0266	K8X7T7	
-			B46-0100-50	WARRANTY CARD 155-01711-0266	T8	
-			B46-0100-50	WARRANTY CARD 155-01711-0266	X8E8E7	
-			B46-0336-03	WARRANTY CARD 155-11811-2266	P8	
-			B58-1519-08	HOLD CARD 155-00000-1266	M7X7	
-			B58-1611-08	CARTON CARD PAPER,155-01830-10	E7X7M8	
-			B58-1611-08	CARTON CARD PAPER,155-01830-10	E8X8M7	
-			B58-1611-08	CARTON CARD PAPER,155-01830-10	T7T8	
-		*	B60-4379-08	INST MANUAL 152-08020-0266	K8P8M8	
-		*	B60-4380-08	INST MANUAL 152-07071-0266	T7T8	
-		*	B60-4380-08	INST MANUAL 152-07071-0266	X8X7M8	
-		*	B60-4381-08	INST MANUAL 152-07072-0266	E8E7M7	
-		*	B60-4381-08	INST MANUAL 152-07072-0266	P8	
-		*	B60-4382-08	INST MANUAL 152-07073-0266	E8M7M8	
-		*	B60-4383-08	INST MANUAL 152-07074-0266	E7E8	
-		*	B60-4384-08	INST MANUAL 152-07075-0266	E7E8	
-		*	B60-4385-08	INST MANUAL 152-07076-0266	E7E8	
-		*	B60-4386-08	INST MANUAL 152-07077-0266	M7M8	
620	2A		D40-1631-08	CD MECHA ASSY KSM-620AAA		
624	1A		E03-0115-05	AC PLAG ADAPTER024-30000-001	M7M8	
625	2B		E23-1773-08	RECHAGE TERMI 133-03935-106		
626	2B	*	E23-1804-08	BAT TER,MAIN + 041-07071-002		
627	3B	*	E23-1805-08	BAT TER,MAIN - 041-07072-002		
628	3B	*	E23-1806-08	BAT TER,SUB + 041-07071-102		
629	2B	*	E23-1807-08	BAT TER,SUB - 041-07072-202		
635	3A		G01-4075-08	OPEN KNOB SPR 133-03930-303		
636	2B	*	G01-4158-08	DOOR SPRING 162-07071-308		
637	3B		G13-0542-08	RUBBER CUSHION,136-10010-100		
-		*	H13-0323-08	CHAMPHELL CARD,155-08020-0266	K8P8	
-		*	H20-0611-08	BLISTER FRONT 156-08021-000	K8P8	
-		*	H20-0612-08	BLISTER BOTTOM,156-08022-000	K8	
-		*	H21-0378-08	POLYFOAM SHEET 149-01835-000	E8X8E7	
-		*	H21-0378-08	POLYFOAM SHEET 149-01835-000	M7X7	
-		*	H21-0378-08	POLYFOAM SHEET 149-01835-000	M8T7T8	
-		*	H21-0379-08	POLYFOAM SHEET 149-03015-001	K8P8	
-		*	H25-1603-08	EPE BAG 150-07009-203		
-		*	H25-1649-08	POLY BAG 150-06010-210		
-		*	H25-1660-08	POLY BAG 150-06020-510	K8P8	
-		*	H50-3461-08	GIFT BOX 151-07071-0266	M7	

L : Scandinavia K : USA P : Canada R : Mexico C : China I : Malaysia  
Y : PX(Far East, Hawaii) T : Europe E : Europe G : Germany V : China (Shanghai)  
Y : AAFES(Europe) X : Australia Q : Russia H : Korea M : Other Areas  $\Delta$  indicates safety critical components.



\* New Parts  
Parts without **Parts No.** are not supplied.  
Les articles non mentionnes dans le **Parts No.** ne sont pas fournis.  
Teile ohne **Parts No.** werden nicht geliefert.

Ref. No	Add-ress	New Parts	Parts No.	Description	Desti-nation	Re-marks
-		*	H50-3462-08	GIFT BOX 151-07073-0266	X7	
-		*	H50-3463-08	GIFT BOX 151-07074-0266	T7	
-		*	H50-3464-08	GIFT BOX 151-07072-0266	E7	
-		*	H50-3466-08	GIFT BOX 151-08022-0266	M8	
-		*	H50-3467-08	GIFT BOX 151-08023-0266	X8	
-		*	H50-3468-08	GIFT BOX 151-08024-0266	T8	
-		*	H50-3469-08	GIFT BOX 151-08025-0266	E8	
640	3A		J02-1185-08	CD RUBBER CSHN,161-05847-001		
645	2B	*	K27-2377-08	KNOB A,DASC 127-07076-1910		
646	2B	*	K27-2378-08	KNOB B,HOLD 127-07076-2910		
647	3A	*	K27-2379-08	KNOB ,OPEN 127-07077-0910		
648	3A	*	K27-2380-08	KNOB E,B.BOOST 128-07072-5910		
649	3B	*	K27-2381-08	KNOB F,REPEAT/P.MODE,128-07072		
A			N09-3363-08	SCREW 2X10		
660	1A		W01-0923-05	HEADPHONE 053-21519-101	M7X7	
660	1A		W01-0925-05	HEADPHONE 053-21519-301	M8	
660	1A		W01-0925-05	HEADPHONE 053-21519-301	X8E8E7	
660	1A		W01-0975-08	HEADPHONE 053-21532-303	T7T8	
$\Delta$ 661	1A		W08-0658-08	AC ADAPTER 059-96184-202	E8E7	
$\Delta$ 661	1A		W08-0675-08	AC ADAPTER 059-01814-602	M7M8	
$\Delta$ 661	1A		W08-0678-08	AC ADAPTER 059-96184-302	T7T8	
661	1A		W08-0679-08	AC ADAPTER 059-96184-404	X8X7	
$\Delta$ 661	1A		W09-1251-05	AC ADAPTER 059-01914-201	K8P8	
662	1A		W09-1240-05	RECAHGEABLE BAT,998-00000-016	M7E7X7	
662	1A		W09-1240-05	RECAHGEABLE BAT,998-00000-016	M8T7T8	
663	1A		W01-0922-05	CAR CASSETT ADP,067-29618-304K8E8X8		
663	1A		W01-0922-05	CAR CASSETT ADP,067-29618-304M8P8T8		
664	1A		W01-0921-05	CAR BATTERY ADP,067-10802-601K8E8X8		
664	1A		W01-0921-05	CAR BATTERY ADP,067-10802-601M8P8T8		
665	1A		W01-0924-05	HEADPHONE 053-22716-301	K8P8	
<b>ELECTRIC PARTS</b>						
D70 -73		*	B30-2561-08	LED,SEL-2310G 019-15000-310	K8P8	
LCD1		*	B38-0186-08	LCD 049-74311-001		
C5			C90-3220-05	ELECTRO 47UF	10WV	
C60A, 61A			CK73FB1E103K	CHIP C 0.010UF	K	
C101A			CK73FB1H222K	CHIP C 2200PF	K	
C102A-104A			CK73FB1E104Z	CHIP C 0.10UF	Z	
C105A			CK73FB1H683K	CHIP C 0.068UF	K	
C106			C90-3256-05	ELECTRO 4.7UF	50WV	
C107A			CK73FB1E104Z	CHIP C 0.10UF	Z	
C108A			CK73FB1E103K	CHIP C 0.010UF	K	
C109			C90-3218-05	ELECTRO 22UF	10WV	
C110			C90-3255-05	ELECTRO 3.3UF	50WV	
C111A			CK73FB1E153K	CHIP C 0.015UF	K	
C112			C90-3214-05	ELECTRO 100UF	6.3WV	
C113A			CK73FB1H473K	CHIP C 0.047UF	K	
C115A			CK73FB1H683K	CHIP C 0.068UF	K	
C116A			CK73FB1E103K	CHIP C 0.010UF	K	
C117A			CK73FB1H472K	CHIP C 4700PF	K	
C118A			CK73FB1E103K	CHIP C 0.010UF	K	
C120A			CC73FSL1H150J	CHIP C 15PF	J	
C122,123			C90-3220-05	ELECTRO 47UF	10WV	

L : Scandinavia K : USA P : Canada R : Mexico C : China I : Malaysia  
Y : PX(Far East, Hawaii) T : Europe E : Europe G : Germany V : China (Shanghai)  
Y : AAFES(Europe) X : Australia Q : Russia H : Korea M : Other Areas  $\Delta$  indicates safety critical components.

\* New Parts  
Parts without **Parts No.** are not supplied.  
Les articles non mentionnés dans le **Parts No.** ne sont pas fournis.  
Teile ohne **Parts No.** werden nicht geliefert.

3

Ref. No	Add-ress	New Parts	Parts No.	Description	Desti-nation	Re-marks
C124A			CK73FB1E104Z	CHIP C 0.10UF	Z	
C126A			CK73FB1E104Z	CHIP C 0.10UF	Z	
C127			C90-3214-05	ELECTRO 100UF	6.3WV	
C129A,130A			CK73FB1E104Z	CHIP C 0.10UF	Z	
C133A			CK73FB1H102K	CHIP C 1000PF	K	
C134A			CK73FB1E104Z	CHIP C 0.10UF	Z	
C201A			CK73FB1E104Z	CHIP C 0.10UF	Z	
C202A			CK73FB1H473K	CHIP C 0.047UF	K	
C203A			CK73FB1H152K	CHIP C 1500PF	K	
C204A			CK73FB1H332K	CHIP C 3300PF	K	
C205A			CK73FB1H221J	CHIP C 220PF	J	
C206A			CK73FB1E103K	CHIP C 0.010UF	K	
C207			C90-3251-05	ELECTRO 0.47UF	50WV	
C209			C90-3214-05	ELECTRO 100UF	6.3WV	
C210A			CK73FB1E103K	CHIP C 0.010UF	K	
C211			C90-3215-05	ELECTRO 220UF	6.3WV	
C212A			CK73FB1H821J	CHIP C 820PF	J	
C213A			CK73FB1H181J	CHIP C 180PF	J	
C216A			CK73FB1H181J	CHIP C 180PF	J	
C217A			CK73FB1H821J	CHIP C 820PF	J	
C218A			CC73FCH1H100D	CHIP C 10PF	D	
C219A			CK73FB1E103K	CHIP C 0.010UF	K	
C220			C90-3214-05	ELECTRO 100UF	6.3WV	
C222A			CC73FSL1H200J	CHIP C 20PF	J	
C223A			CC73FSL1H390J	CHIP C 39PF	J	
C224A			CK73FB1H473K	CHIP C 0.047UF	K	
C225A			CK73FB1E103K	CHIP C 0.010UF	K	
C226A			CK73FB1H473K	CHIP C 0.047UF	K	
C227			C90-3218-05	ELECTRO 22UF	10WV	
C301A			CK73FB1E104Z	CHIP C 0.10UF	Z	
C303			CK45FB1H471K	CERAMIC 470PF	K	
C304			C90-3253-05	ELECTRO 1.0UF	50WV	
C305			CK45FB1H223Z	CERAMIC 0.022UF	Z	
C306			CK45FB1E104Z	CERAMIC 0.10UF	Z	
C309A			CC73FCH1H100D	CHIP C 10PF	D	
C310A			CK73FB1H102K	CHIP C 1000PF	K	
C311			C90-3220-05	ELECTRO 47UF	10WV	
C313			C90-3230-05	ELECTRO 100UF	16WV	
C314A			CK73FB1E104Z	CHIP C 0.10UF	Z	
C315A			CC73FSL1H470J	CHIP C 47PF	J	
C316,317			C90-3215-05	ELECTRO 220UF	6.3WV	
C318			CK45FB1H224Z	CERAMIC 0.22UF	Z	
C319A			CK73FB1H102K	CHIP C 1000PF	K	
C320A,321A			CK73FB1H105Z	CHIP C 1.0UF	Z	
C322			C90-3218-05	ELECTRO 22UF	10WV	
C330A			CK73FB1E104Z	CHIP C 0.10UF	Z	
C404			C90-3214-05	ELECTRO 100UF	6.3WV	
C406A			CK73FB1E104Z	CHIP C 0.10UF	Z	
C501,502			C90-3215-05	ELECTRO 220UF	6.3WV	
C503,504			C90-3253-05	ELECTRO 1.0UF	50WV	
C505			CK45FB1E104Z	CERAMIC 0.10UF	Z	
C508			C90-3256-05	ELECTRO 4.7UF	50WV	
C519,520			C90-3256-05	ELECTRO 4.7UF	50WV	
C521A,522A			CC73FSL1H101J	CHIP C 100PF	J	
C531			C90-3215-05	ELECTRO 220UF	6.3WV	

L : Scandinavia K : USA P : Canada R : Mexico C : China I : Malaysia  
Y : PX(Far East, Hawaii) T : Europe E : Europe G : Germany V : China (Shanghai)  
Y : AAFES(Europe) X : Australia Q : Russia H : Korea M : Other Areas Δ indicates safety critical components.

\* New Parts  
Parts without **Parts No.** are not supplied.  
Les articles non mentionnés dans le **Parts No.** ne sont pas fournis.  
Teile ohne **Parts No.** werden nicht geliefert.

4

Ref. No	Add-ress	New Parts	Parts No.	Description	Desti-nation	Re-marks
C532			C90-3214-05	ELECTRO 100UF	6.3WV	
C535,536			C91-0757-05	CERAMIC 1000PF	K	
C601			C90-3205-05	ELECTRO 100UF	4WV	E7M7X7
C601			C90-3205-05	ELECTRO 100UF	4WV	E8X8M8
C601			C90-3205-05	ELECTRO 100UF	4WV	T7T8
CN101			E60-0008-08	16P ZIP R/A 025-20016-301		
J101			E03-0356-08	DC JACK 021-34505-100		
J103	2B		E11-0355-08	REMOTE JACK 021-22603-101		M7X7
J104	2B	*	W02-2713-08	OPT OUT JACK 021-23608-100		E7M7X7
J104	2B	*	W02-2713-08	OPT OUT JACK 021-23608-100		E8X8M8
J104	2B	*	W02-2713-08	OPT OUT JACK 021-23608-100		T7T8
J105	3B		E11-0354-08	PHONE JACK 021-23605-102		K8P8
J502	3B		E11-0372-08	PHONE JACK 021-23605-103		
L1			L40-1001-17	INDUCTOR(10UH) 015-00100-008		
L101			L40-1001-17	INDUCTOR(10UH) 015-00100-008		
L201			L40-1001-17	INDUCTOR(10UH) 015-00100-008		
L301			L33-0564-08	INDUCTOR(33UH) 015-00330-001		
L302			L33-0565-08	INDUCTOR(95UH) 015-00950-001		
L304			L33-0564-08	CHOKE COIL(33UH) 015-00330-001		
L401			L40-1001-17	INDUCTOR(10H) 015-00100-008		
X1		*	L77-2266-08	CRYSTAL 052-04000-102		
X201			L77-2240-08	CRYSTAL 052-16934-003		
R1A			RK73FB2A682J	CHIP R 6.8K	J 1/10W	
R2A			RK73FB2A473J	CHIP R 47K	J 1/10W	
R3A			RK73FB2A103J	CHIP R 10K	J 1/10W	
R4A			RK73FB2A682J	CHIP R 6.8K	J 1/10W	
R5A -8A			RK73FB2A473J	CHIP R 47K	J 1/10W	
R9A ,10A			RK73FB2A103J	CHIP R 10K	J 1/10W	
R15A			RK73FB2A102J	CHIP R 1.0K	J 1/10W	
R16A-18A			RK73FB2A223J	CHIP R 22K	J 1/10W	
R31A,32A			RK73FB2A152J	CHIP R 1.5K	J 1/10W	
R33A			RK73FB2A182J	CHIP R 1.8K	J 1/10W	
R34A			RK73FB2A222J	CHIP R 2.2K	J 1/10W	
R35A			RK73FB2A562J	CHIP R 5.6K	J 1/10W	
R48A			RK73FB2A472J	CHIP R 4.7K	J 1/10W	
R57A			RK73FB2A104J	CHIP R 100K	J 1/10W	
R60A			RK73FB2A103J	CHIP R 10K	J 1/10W	
R70A-73A			RK73FB2A680J	CHIP R 68	J 1/10W	K8P8
R74A			RK73FB2A103J	CHIP R 10K	J 1/10W	
R75A			RK73FB2A103J	CHIP R 10K	J 1/10W	M7X7
R76A			RK73FB2A332J	CHIP R 3.3K	J 1/10W	M7X7
R77A			RK73FB2A223J	CHIP R 22K	J 1/10W	M7X7
R81A,82A			RK73FB2A103J	CHIP R 10K	J 1/10W	K8P8
R101A,102A			RK73FB2A103J	CHIP R 10K	J 1/10W	
R103A			RK73FB2A684J	CHIP R 680K	J 1/10W	
R104A			RK73FB2A104J	CHIP R 100K	J 1/10W	
R105A			RK73FB2A333J	CHIP R 33K	J 1/10W	
R106A			RK73FB2A514J	CHIP R 510K	J 1/10W	
R107A			RK73FB2A224J	CHIP R 220K	J 1/10W	
R108A			RK73FB2A104J	CHIP R 100K	J 1/10W	
R109A			RK73FB2A243J	CHIP R 24K	J 1/10W	
R110A			RK73FB2A153J	CHIP R 15K	J 1/10W	
R111A			RK73FB2A822J	CHIP R 8.2K	J 1/10W	
R112A			RK73FB2A683J	CHIP R 68K	J 1/10W	

L : Scandinavia K : USA P : Canada R : Mexico C : China I : Malaysia  
Y : PX(Far East, Hawaii) T : Europe E : Europe G : Germany V : China (Shanghai)  
Y : AAFES(Europe) X : Australia Q : Russia H : Korea M : Other Areas Δ indicates safety critical components.

PARTS LIST

DPC-X707/X802

\* New Parts  
 Parts without **Parts No.** are not supplied.  
 Les articles non mentionnés dans le **Parts No.** ne sont pas fournis.  
 Teile ohne **Parts No.** werden nicht geliefert.

5

Ref. No	Add-ress	New Parts	Parts No.	Description	Desti-nation	Re-marks
R113A			RK73FB2A223J	CHIP R 22K J 1/10W		
R114A			RK73FB2A124J	CHIP R 120K J 1/10W		
R115A			RK73FB2A4R7J	CHIP R 4.7 J 1/10W		
R116A			RK73FB2A183J	CHIP R 18K J 1/10W		
R117A			RK73FB2A223J	CHIP R 22K J 1/10W		
R118A			RK73FB2A103J	CHIP R 10K J 1/10W		
R119A			RK73FB2A4R7J	CHIP R 4.7 J 1/10W		
R123A			RK73FB2A101J	CHIP R 100 J 1/10W		
R124A			RK73FB2A104J	CHIP R 100K J 1/10W		
R125A			RK73FB2A154J	CHIP R 150K J 1/10W		
R128A			RK73FB2A563J	CHIP R 56K J 1/10W		
R130A,131A			RK73FB2A393J	CHIP R 39K J 1/10W		
R132A			RK73FB2A124J	CHIP R 120K J 1/10W		
R133A,134A			RK73FB2A824J	CHIP R 820K J 1/10W		
R135A			RK73FB2A124J	CHIP R 120K J 1/10W		
R136A			RK73FB2A683J	CHIP R 68K J 1/10W		
R201A			RK73FB2A105J	CHIP R 1.0M J 1/10W		
R202A			RK73FB2A474J	CHIP R 470K J 1/10W		
R203A,204A			RK73FB2A332J	CHIP R 3.3K J 1/10W		
R205A			RK73FB2A103J	CHIP R 10K J 1/10W		
R207A			RK73FB2A105J	CHIP R 1.0M J 1/10W		
R208A			RK73FB2A103J	CHIP R 10K J 1/10W		
R209A			RK73FB2A104J	CHIP R 100K J 1/10W		
R211A			RK73FB2A103J	CHIP R 10K J 1/10W		
R213A-218A			RK73FB2A123J	CHIP R 12K J 1/10W		
R219A			RK73FB2A331J	CHIP R 330 J 1/10W		
R220A			RK73FB2A102J	CHIP R 1.0K J 1/10W		
R223A			RK73FB2A473J	CHIP R 47K J 1/10W		
R224A			RK73FB2A121J	CHIP R 120 J 1/10W		
R225A			RK73FB2A220J	CHIP R 22 J 1/10W		
R226A,227A			RK73FB2A100J	CHIP R 10 J 1/10W		
R301A			RK73FB2A822J	CHIP R 8.2K J 1/10W		
R304A			RK73FB2A822J	CHIP R 8.2K J 1/10W		
R305A			RK73FB2A470J	CHIP R 47 J 1/10W		
R306A			RK73FB2A104J	CHIP R 100K J 1/10W		
R311A			RK73FB2A100J	CHIP R 10 J 1/10W		
R312A			RK73FB2A102J	CHIP R 1.0K J 1/10W		
R315A			RK73FB2A331J	CHIP R 330 J 1/10W		
R319A			RK73FB2A472J	CHIP R 4.7K J 1/10W		
R320A			RK73FB2A473J	CHIP R 47K J 1/10W		
R321A			RK73FB2A333J	CHIP R 33K J 1/10W		
R322A			RK73FB2A101J	CHIP R 100 J 1/10W		
R323A			RK73FB2A682J	CHIP R 6.8K J 1/10W		
R324A			RK73FB2A103J	CHIP R 10K J 1/10W		
R325A			RK73FB2A473J	CHIP R 47K J 1/10W		
R326A			RK73FB2A103J	CHIP R 10K J 1/10W		
R327A			RK73FB2A152J	CHIP R 1.5K J 1/10W		
R328A			RK73FB2A104J	CHIP R 100K J 1/10W		
R329A			RK73FB2A333J	CHIP R 33K J 1/10W		
R330A			RK73FB2A561J	CHIP R 560 J 1/10W		
R331A			RK73FB2A223J	CHIP R 22K J 1/10W		
R332A			RK73FB2A682J	CHIP R 6.8K J 1/10W		
R333A			RK73FB2A104J	CHIP R 100K J 1/10W		
R401A,402A			RK73FB2A331J	CHIP R 330 J 1/10W		
R513A,514A			RK73FB2A223J	CHIP R 22K J 1/10W		

L : Scandinavia K : USA P : Canada R : Mexico C : China I : Malaysia  
 Y : PX(Far East, Hawaii) T : Europe E : Europe G : Germany V : China (Shanghai)  
 Y : AAFES(Europe) X : Australia Q : Russia H : Korea M : Other Areas Δ indicates safety critical components.

\* New Parts  
 Parts without **Parts No.** are not supplied.  
 Les articles non mentionnés dans le **Parts No.** ne sont pas fournis.  
 Teile ohne **Parts No.** werden nicht geliefert.

6

Ref. No	Add-ress	New Parts	Parts No.	Description	Desti-nation	Re-marks
R515A,516A			RK73FB2A222J	CHIP R 2.2K J 1/10W		
R517A,518A			RK73FB2A184J	CHIP R 180K J 1/10W		
R519A			RK73FB2A472J	CHIP R 4.7K J 1/10W		
R520A			RK73FB2A4R7J	CHIP R 4.7 J 1/10W		
R521A,522A			RK73FB2A332J	CHIP R 3.3K J 1/10W		
R523A,524A			RK73FB2A153J	CHIP R 15K J 1/10W		
R525A,526A			RK73FB2A223J	CHIP R 22K J 1/10W		
R527A,528A			RK73FB2A100J	CHIP R 10 J 1/10W		
R529A,530A			RK73FB2A103J	CHIP R 10K J 1/10W		
R531A,532A			RK73FB2A222J	CHIP R 2.2K J 1/10W		
R533A			RK73FB2A104J	CHIP R 100K J 1/10W		
R534A,535A			RK73FB2A472J	CHIP R 4.7K J 1/10W		
R536A			RK73FB2A473J	CHIP R 47K J 1/10W		
R537A,538A			RK73FB2A681J	CHIP R 680 J 1/10W		
R601A			RK73FB2A473J	CHIP R 47K J 1/10W		M7E7X7
R601A			RK73FB2A473J	CHIP R 47K J 1/10W		T7T8
R601A			RK73FB2A473J	CHIP R 47K J 1/10W		X8E8M8
R602A			RK73FB2A222J	CHIP R 2.2K J 1/10W		M7E7X7
R602A			RK73FB2A222J	CHIP R 2.2K J 1/10W		T7T8
R602A			RK73FB2A222J	CHIP R 2.2K J 1/10W		X8E8M8
VR501	3A		R31-0086-08	POTENTIOMETER 010-20503-168		
SW101-103	2A,3A		S70-0061-08	TACT SWITCH 020-31100-156		
SW104	2A		S70-0062-08	TACT SWITCH 020-31100-159		
SW105	2A		S70-0061-08	TACT SWITCH 020-31100-156		
SW106	3A		S70-0062-08	TACT SWITCH 020-31100-159		
SW107	2A		S62-0081-08	SLIDE SWITCH 020-21203-147		
SW108	2A		S62-0085-08	SLIDE SWITCH 020-21303-147		
SW109	3A		S74-0084-08	SWITCH 020-31100-054		
D1 ,2			GMB01-BT	DIODE		
D3 ,4			GMB01-BT	DIODE		M7X7
D5			SB10-03A-BT	DIODE		M7X7
D111			1N4001	DIODE		
D112,113			GMB01-BT	DIODE		
D114			1N4001	DIODE		
D301			SB10-03A3-BT	DIODE		
D302,303			GMB01-BT	DIODE		
D304A,305A			1SS355	DIODE		
IC3	*		CXP83517-501Q	IC		
IC101	*		CXA2542AQ	IC		
IC201			CXD3009Q	IC(DSP DAC)		
IC301	*		BA5901K	IC		
IC401			SM5903AF	IC(SHOCK PROOF)		
IC402			MN41V17400CTT6	IC		
IC501			TDA1308T	IC(HEADPHONE DRIVER)		
Q101			2SC4048-AC	TRANSISTOR		
Q102			2SA1317	TRANSISTOR		
Q109			2SC3330	TRANSISTOR		
Q113,114			2SA1317	TRANSISTOR		K8P8 M7X7
Q116			2SC3330	TRANSISTOR		
Q301			2SC3330	TRANSISTOR		
Q302			2SC4481T	TRANSISTOR		
Q303			2SB598F	TRANSISTOR		
Q304			2SC3330	TRANSISTOR		

L : Scandinavia K : USA P : Canada R : Mexico C : China I : Malaysia  
 Y : PX(Far East, Hawaii) T : Europe E : Europe G : Germany V : China (Shanghai)  
 Y : AAFES(Europe) X : Australia Q : Russia H : Korea M : Other Areas Δ indicates safety critical components.

\* New Parts

Parts without **Parts No.** are not supplied.

Les articles non mentionnés dans le **Parts No.** ne sont pas fournis.

Teile ohne **Parts No.** werden nicht geliefert.

7

Ref. No	Add-ress	New Parts	Parts No.	Description	Desti-nation	Re-marks
Q305			2SD1805G	TRANSISTOR		
Q306			2SC4048-AC	TRANSISTOR		
Q307			2SC3860	TRANSISTOR		
Q308,309			2SA1497	TRANSISTOR		
Q310			2SC3400	TRANSISTOR		
Q501,502			2SD1936T	TRANSISTOR		
Q503-506			2SC3860	TRANSISTOR		
Q508			2SA1317	TRANSISTOR		
Q509			2SC3330	TRANSISTOR		
Q601			2SC3330	TRANSISTOR	E7M7X7	
Q601			2SC3330	TRANSISTOR	E8X8M8	
Q601			2SC3330	TRANSISTOR	T7T8	
Q602			2SA1317	TRANSISTOR	E7M7X7	
Q602			2SA1317	TRANSISTOR	E8X8M8	
Q602			2SA1317	TRANSISTOR	T7T8	

**HOW TO READ THE PARTS LIST**

Destination column has the abbreviation for sale country and model.

Alphabets mean the country. Numerals do the model.

Example: X8 shows DPC-X802 for Australia market.

\*X\* does all models for Australia. \*8\* does DPC-X802.

**ABBREVIATION OF MODEL AND MASS PRODUCTION'S DESTNATIONS**

MODEL	CNT	Australia	Canada	China	England	Europe	Germany	Korea	Malaysia
	ABB.	X	P	C	T	E	G	H	I
DPC-X707	7	-X7	-	-	-T7	E7	-	-	-
DPC-X802	8	-X8	P8	-	-T8	E8	-	-	-

MODEL	CNT	Mexico	PX/AAFES	Russia	Scandinavia	Shanghai	USA	Other area	Other area(M2)
	ABB.	R	Y	Q	L	V	K	M	M2
DPC-X707	7	-	-	-	-	-	-	M7	-
DPC-X802	8	-	-	-	-	-	K8	M8	-

L : Scandinavia    K : USA    P : Canada    R : Mexico    C : China    I : Malaysia  
 Y : PX(Far East, Hawaii)    T : Europe    E : Europe    G : Germany    V : China (Shanghai)  
 Y : AAFES(Europe)    X : Australia    Q : Russia    H : Korea    M : Other Areas    ▲ indicates safety critical components.

PARTS LIST DPC-X707/X802

# DPC-X707/X802

**Note:**

Component and circuit are subject to modification to insure best operation under differing local conditions. This manual is based on Europe (E) standard, and provides information on regional circuit modification through use of alternate schematic diagrams, and information on regional component variations through use of parts list.

## **KENWOOD CORPORATION**

14-6,Dogenzaka 1-chome, Shibuya-ku, Tokyo, 150-8501 Japan

### **KENWOOD SERVICE CORPORATION**

P.O BOX 22745, 2201 East Dominguez St., Long Beach, CA 90801-5745, U.S.A.

### **KENWOOD ELECTRONICS CANADA INC.**

6070 Kestrel Road, Mississauga, Ontario, Canada L5T 1S8

### **KENWOOD ELECTRONICS LATIN AMERICA S.A.**

P.O BOX 55-2791, Piso 6 plaza Chase, Cl. 47 y Aquilino de la Guardia Panama, Republic de Panama

### **KENWOOD ELECTRONICS BRASIL LTDA.**

Av. Moema, 170-17°, Andar-Cobertura "B", Ed. Maximum Service Center, 04077-020 Moema, São Paulo-SP-Brasil

### **KENWOOD ELECTRONICS U.K. LIMITED**

KENWOOD House, Dwight Road, Watford, Herts., WD1 8EB., United Kingdom

### **KENWOOD ELECTRONICS BELGUM N.V.**

Meachelsesteenweg 418, B-1930 Zaventem, Belgium

### **KENWOOD ELECTRONICS DEUTSCHLAND GMBH**

Rembrücker Str. 15, 63150 Heusenstamm, Germany

### **KENWOOD ELECTRONICS FRANCE S.A.**

13 Boulevard Ney, 75018 Paris, France

### **KENWOOD ELECTRONICS ITALIA S.p.A.**

Via G. Sirtori, 7/9 20129, Milano, Italy

### **KENWOOD IBÉRICA S.A.**

Bolivia, 239-08020 Barcelona, Spain

### **KENWOOD ELECTRONICS AUSTRALIA PTY. LTD.**

(A.C.N. 001499 074)

P.O Box 504, 8 Figtree Drive, Australia Centre, Homebush, N.S.W. 2140, Australia

### **KENWOOD & LEE ELECTRONICS, LTD.**

Unit 3712-3724, Level 37, Tower 1, Metroplaza, 223 Hing Fong Road, Kwai Fong N.T., Hong Kong

### **KENWOOD ELECTRONICS GULF FZE**

P.O.Box 61318, Jebel Ali, Dubai, U.A.E.

### **KENWOOD ELECTRONICS SINGAPORE PTE LTD.**

No. 1 Genting Lane #02-02, KENWOOD Building, Singapore, 349544

### **KENWOOD ELECTRONICS (MALAYSIA) SDN BHD.**

#4.01 Level 4, Wisma Academy Lot 4A, Jalan 19/1 46300 Petaling Jaya Selangor Darul Ehsan Malaysia

### **KENWOOD ELECTRONICS (THAILAND) CO., LTD.**

2019 New Pechburi Road, Bangkapi, Huaykwang, Bangkok, 10320 Thailand