

* Refer to parts list on page 9.

SPECIFICATIONS

DPC-X637/DPC-X537

Main Unit

Format

System Compact disc digital audio system
Laser Semiconductor laser

Audio

Frequency response 20 Hz to 20 kHz, -9 ~+0.2 dB
Headphone output level (16Ω) 5.0 mW + 5.0 mW
Line output/impedance 0.420 V / 10 kΩ

Power supply

DPC-X637 :

Rechargeable batteries (NB-3A70)..... DC 1.2 V x 2
Commercially-available alkaline batteries (LR03)
..... DC 1.5 V x 2

DPC-X537 :

Commercially-available alkaline batteries (LR03)
..... DC 1.5 V x 2

Dimensions (W x H x D) .. 131 mm x 21.7 mm x 132 mm
(5-3/16" x 7/8" x 5-3/16")

Weight (net) .. 165 g (5.8 oz)

Recharger stand (DPC-X637 only)

Power supply

AC adaptor (AC50040)..... DC 5.0 V

Separately sold option part

Rechargeable Nickel Metal Hydride Battery NB-3A70

Battery life (Fully charge)

Rechargeable batteries *1	Approx. 15 Hours
Commercially-available alkaline batteries *2	Approx. 20 Hours

*1 : NB-3A70 *2 : LR03

- At 0.1mW+0.1mW output (16Ω load).
- Standard value during continuous use/charging in an temperature of 20°C.
- Time of use may vary depending on battery maker, battery type, use environment, and temperature.



KENWOOD follows a policy of continuous advancements in development. For this reason specifications may be changed without notice.

- Sufficient performance may not be exhibited at extremely cold locations (Where water freezes).

In compliance with Federal Regulations, following are reproduction of labels on, or inside the product relating to laser product safety.

KENWOOD Corp. certifies this equipment conforms to DHHS Regulations No.21 CFR 1040. 10, Chapter 1, subchapter J.

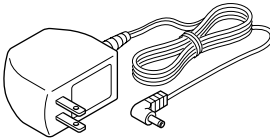
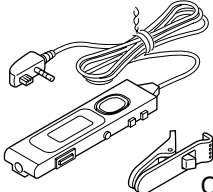
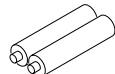
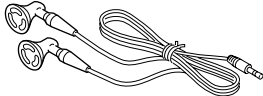
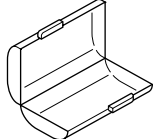
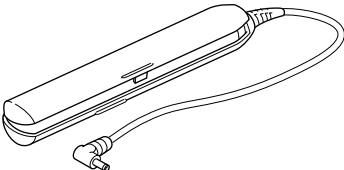

DANGER : Laser radiation when open and interlock defeated. AVOID DIRECT EXPOSURE TO BEAM.



DPC-X537/X637/X937

ACCESSORIES / CAUTIONS

Accessories

<p>AC adapter (W08-0693-05): E4E9 (W08-0694-05): Y9</p> 	<p>Remote controller ass'y (A70-1638-05)</p> 	<p>Rechargeable battery (W09-1307-05): E4E9 (W09-1308-05): Y9</p> 	<p>Stereo headphone (W01-1818-05)</p> 
<p>Battery case (W01-1823-05)</p> 	<p>Battery case (W01-1822-05)</p> 	<p>Cable clip (W01-1819-08)</p> 	

Color vs Model

Model	Color	ABB.
DPC-X537-D	ORANGE	E3
DPC-X537-H	GREY	Y1
DPC-X537-H	GREY	E2
DPC-X537-L	BLUE	E1
DPC-X637-H	GREY	E4
DPC-X937-S	SILVER	Y9
DPC-X937-S	SILVER	E9

Note :

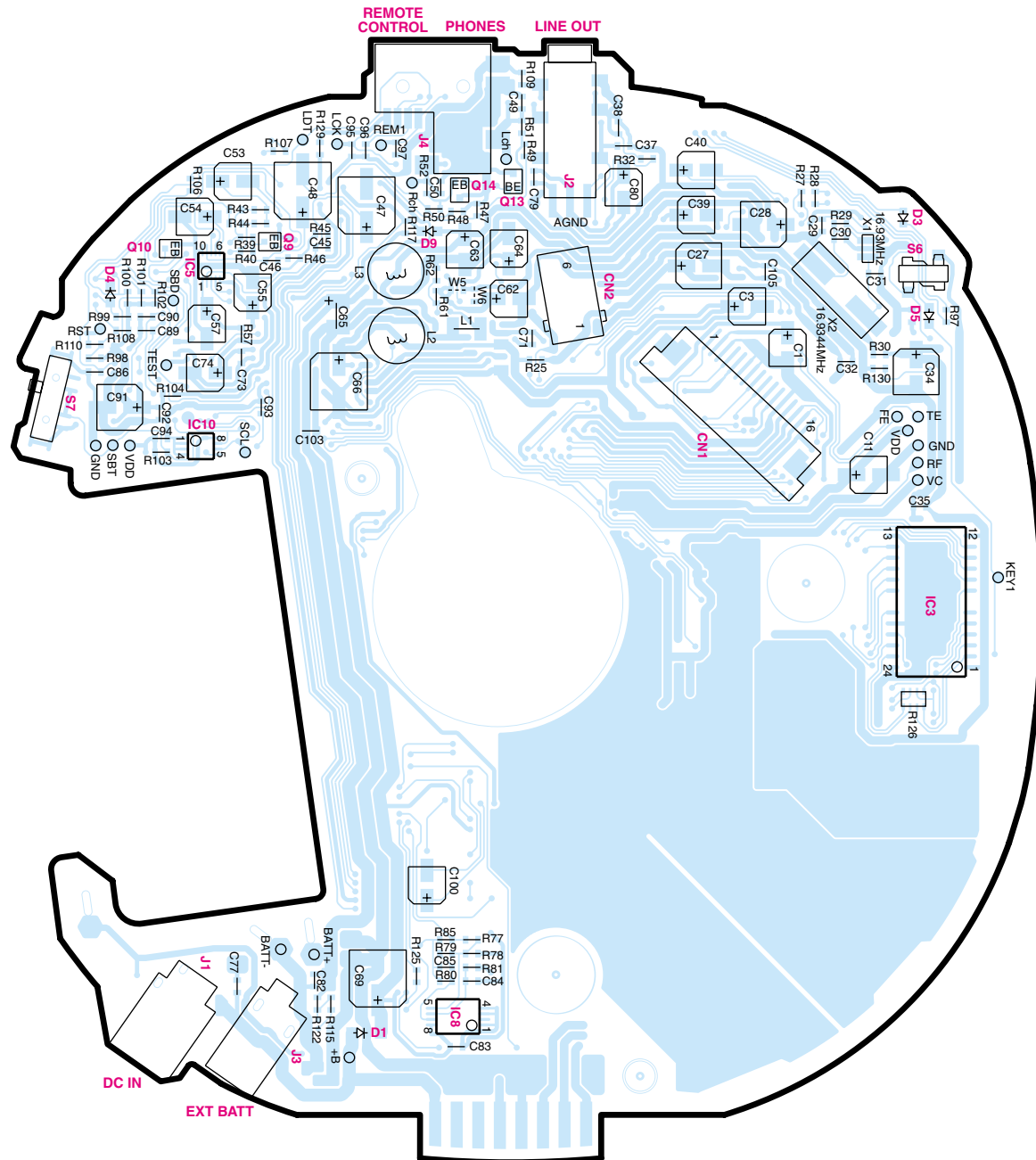
1. This system uses a microcomputer so it may malfunction due to external noise or interference. In such a case, unplug the power cord and remove the batteries, then re-connect the power cord and insert the batteries again.
2. Erroneous operation may occur when the headphone plug is plugged or unplugged; but this is not a malfunction.

Cautions

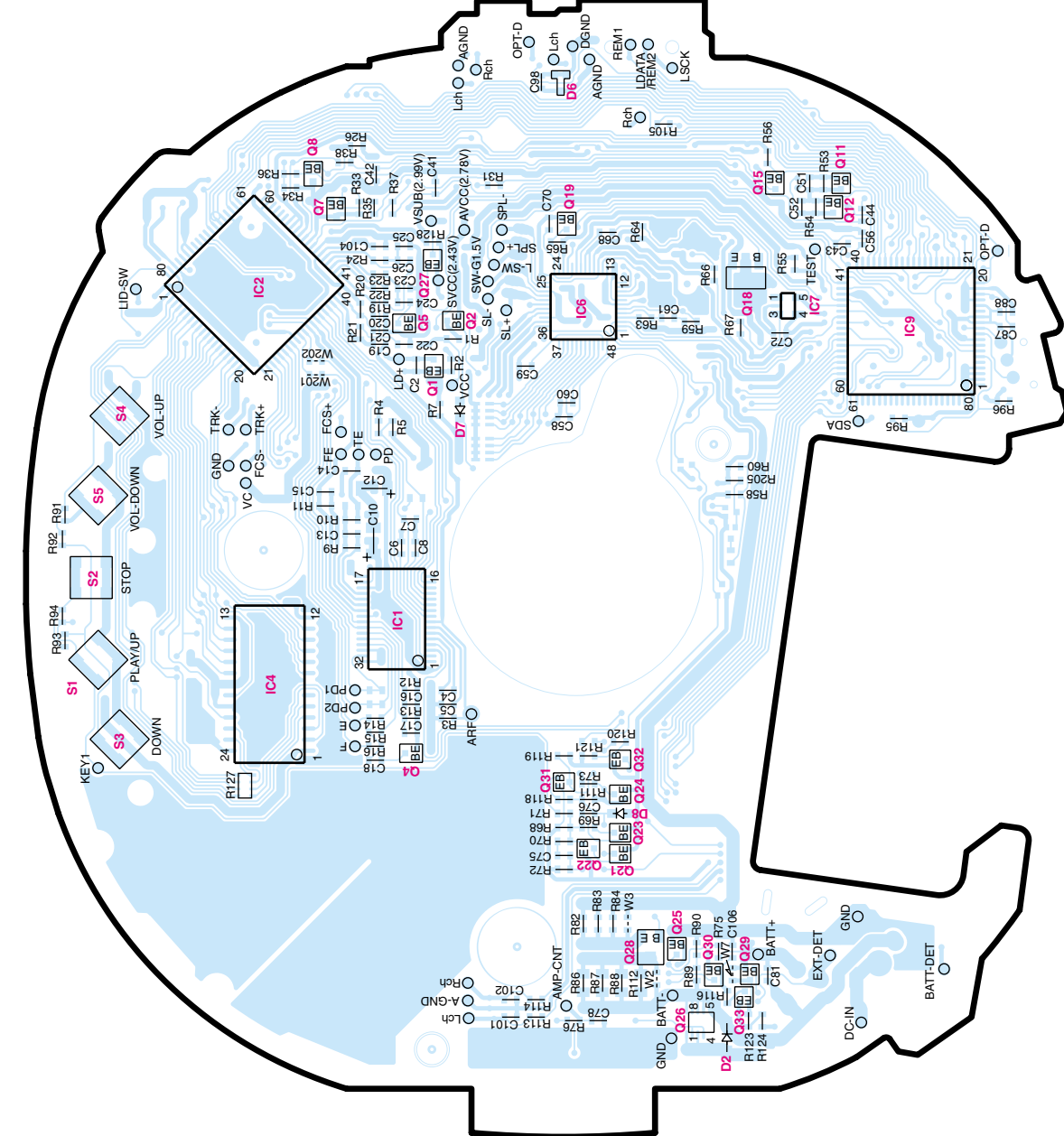
<p>The marking</p> <div style="border: 2px solid black; padding: 10px; text-align: center; width: fit-content; margin: 10px auto;"> <p>CLASS 1 LASER PRODUCT</p> </div> <p>The marking this product has been classified as Class 1. It means that there is no danger of hazardous radiation outside the product. Location: Battery cover</p>	<p><i>(For countries</i></p>	<div style="border: 2px solid black; padding: 10px; text-align: center; width: fit-content; margin: 10px auto;"> <p>CAUTION INVISIBLE LASER RADIATION WHEN OPEN. DO NOT STARE INTO BEAM OR VIEW DIRECTLY WITH OPTICAL INSTRUMENTS.</p> </div> <p>Inside this laser product, a laser diode classified as Class 3A laser radiation is contained as alerted by the internal caution label shown above. Do not stare into beam or view directly with optical instruments. Location: Inside this product</p>
--	------------------------------	--

PC BOARD

X32-7540-00 (J75-0005-02) (SIDE-A)

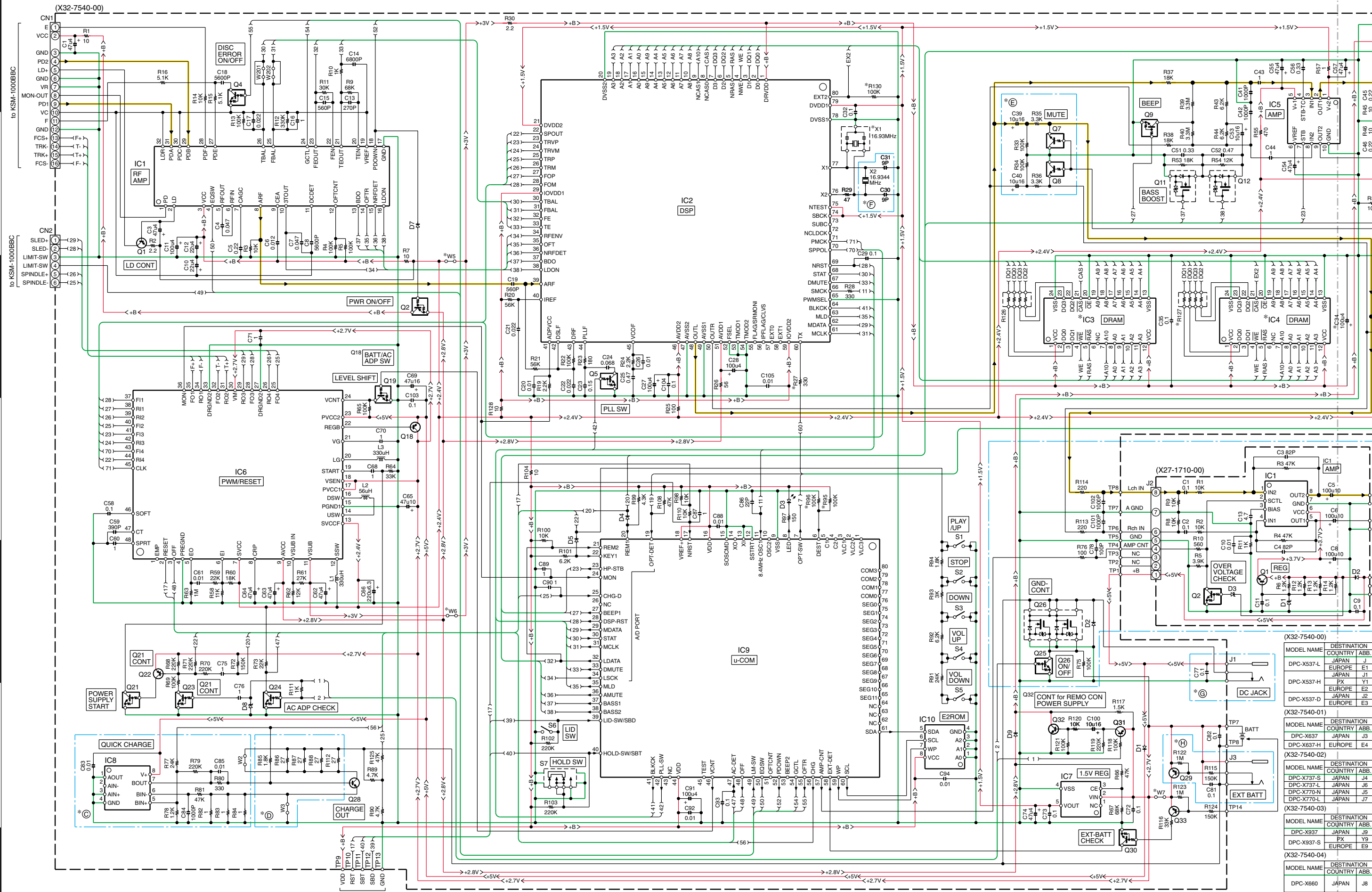


X32-7540-00 (J75-0005-02) (SIDE-B)



Refer to the schematic diagram for the value of resistors and capacitors.

DPC-X537/X637/X937



(X32-7540-00)

MODEL NAME	DESTINATION COUNTRY	ABB.
DPC-X537-L	JAPAN	J
DPC-X537-H	EUROPE	E1
DPC-X537-D	JAPAN	J1
DPC-X537-H	EUROPE	E2
DPC-X537-D	JAPAN	J2
DPC-X537-H	EUROPE	E3

(X32-7540-01)

MODEL NAME	DESTINATION COUNTRY	ABB.
DPC-X637-L	JAPAN	J3
DPC-X637-H	EUROPE	E4

(X32-7540-02)

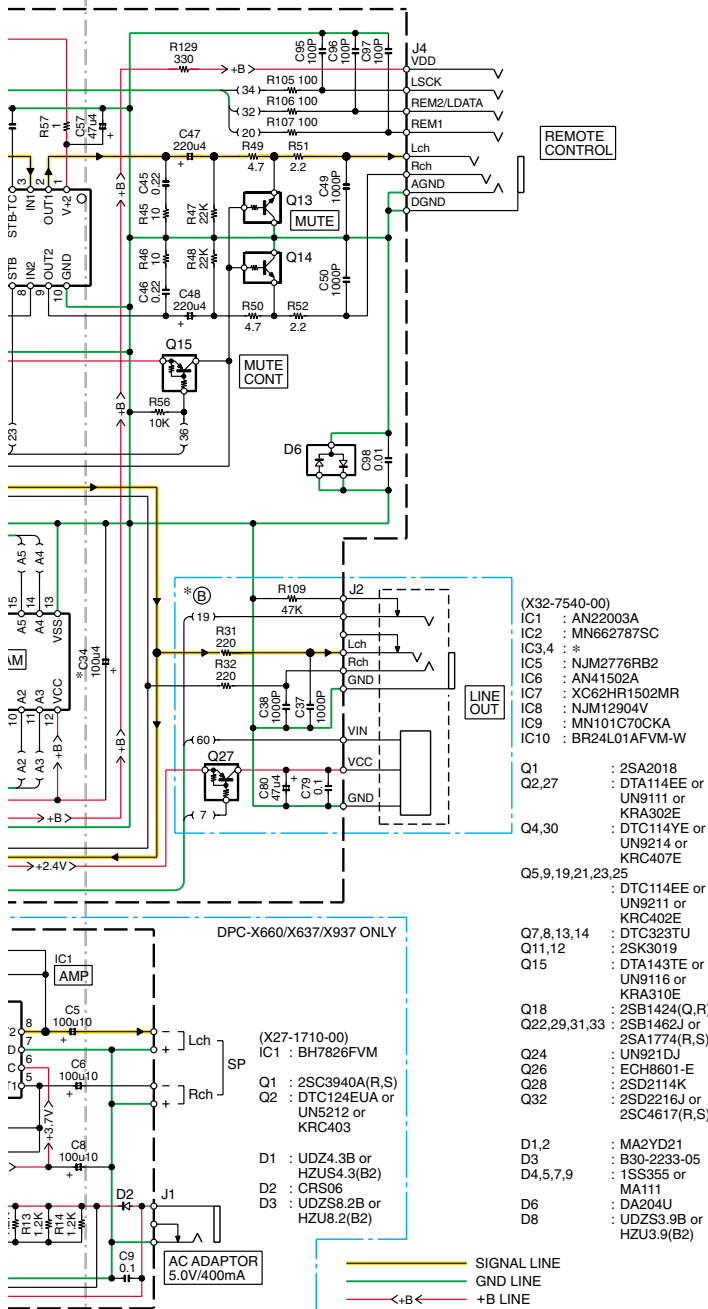
MODEL NAME	DESTINATION COUNTRY	ABB.
DPC-X737-S	JAPAN	J4
DPC-X737-L	JAPAN	J6
DPC-X770-N	JAPAN	J5
DPC-X770-L	JAPAN	J7

(X32-7540-03)

MODEL NAME	DESTINATION COUNTRY	ABB.
DPC-X937	JAPAN	J9
DPC-X937-S	EUROPE	E9

(X32-7540-04)

MODEL NAME	DESTINATION COUNTRY	ABB.
DPC-X660	JAPAN	J8



- (X32-7540-00)
- IC1 : AN22003A
 - IC2 : MN662787SC
 - IC3,4 : *
 - IC5 : NJM2776RB2
 - IC6 : AN41502A
 - IC7 : XC62HR1502MR
 - IC8 : NJM12904V
 - IC9 : MN101C70CKA
 - IC10 : BR24L01AFVM-W
- Q1 : 2SA2018
 - Q2,27 : DTA114EE or UN9111 or KRA302E
 - Q4,30 : DTC114YE or UN9214 or KRC407E
 - Q5,9,19,21,23,25 : DTC114EE or UN9211 or KRC402E
 - Q7,8,13,14 : DTC323TU
 - Q11,12 : 2SK3019
 - Q15 : DTA143TE or UN9116 or KRA310E
 - Q18 : 2SB1424(Q,R)
 - Q22,29,31,33 : 2SB1462J or 2SA1774(R,S)
 - Q24 : UN921DJ
 - Q26 : ECH8601-E
 - Q28 : 2SD2114K
 - Q32 : 2SD2216J or 2SC4617(R,S)
 - D1,2 : MA2YD21
 - D3 : B30-2233-05
 - D4,5,7,9 : 1SS355 or MA111
 - D6 : DA204U
 - D8 : UDZS3.9B or HZU3.9(B2)

7540-00		DESTINATION	UNIT No.	(B)	(C)	(E)	(F)	(H)	(D)	(G)	C34	IC3	IC4	R27, 95,127	R96, 130	W5	W6,7	X1
MODEL	COUNTRY	ABB.																
X537-L	JAPAN	J	0-00	NO	YES	NO	NO	NO	YES	NO	47u4	IC41LV44002-50 or IC41LV4400250T	NO	NO	YES	NO	YES	YES
	EUROPE	E1																
X537-H	JAPAN	J1																
	EUROPE	E2																
X537-D	JAPAN	J2	EUROPE	E3														

7540-01		DESTINATION	UNIT No.	(B)	(C)	(E)	(F)	(H)	(D)	(G)	C34	IC3	IC4	R27, 95,127	R96, 130	W5	W6,7	X1
MODEL	COUNTRY	ABB.																
>X637	JAPAN	J3	0-01	NO	YES	NO	NO	NO	YES	NO	47u4	IC41LV44002-50 or IC41LV4400250T	NO	NO	YES	NO	YES	YES
X637-H	EUROPE	E4																

7540-02		DESTINATION	UNIT No.	(B)	(C)	(E)	(F)	(H)	(D)	(G)	C34	IC3,4	R27, 95,127	R96, 130	W5	W6,7	X1	
MODEL	COUNTRY	ABB.																
X737-S	JAPAN	J4	0-02	YES	NO	NO	NO	NO	NO	NO	100u4	A42U2604V-60	YES	NO	YES	NO	NO	NO
X737-L	JAPAN	J6																
X770-N	JAPAN	J5																
X770-L	JAPAN	J7																

7540-03		DESTINATION	UNIT No.	(B)	(C)	(E)	(F)	(H)	(D)	(G)	C34	IC3,4	R27, 95,127	R96, 130	W5	W6,7	X1
MODEL	COUNTRY	ABB.															
>X937	JAPAN	J9	0-03	YES	NO	NO	NO	NO	NO	NO	100u4	A42U2604V-60	YES	NO	YES	NO	NO
X937-FX	FX	Y9															
X937-S	EUROPE	E9															

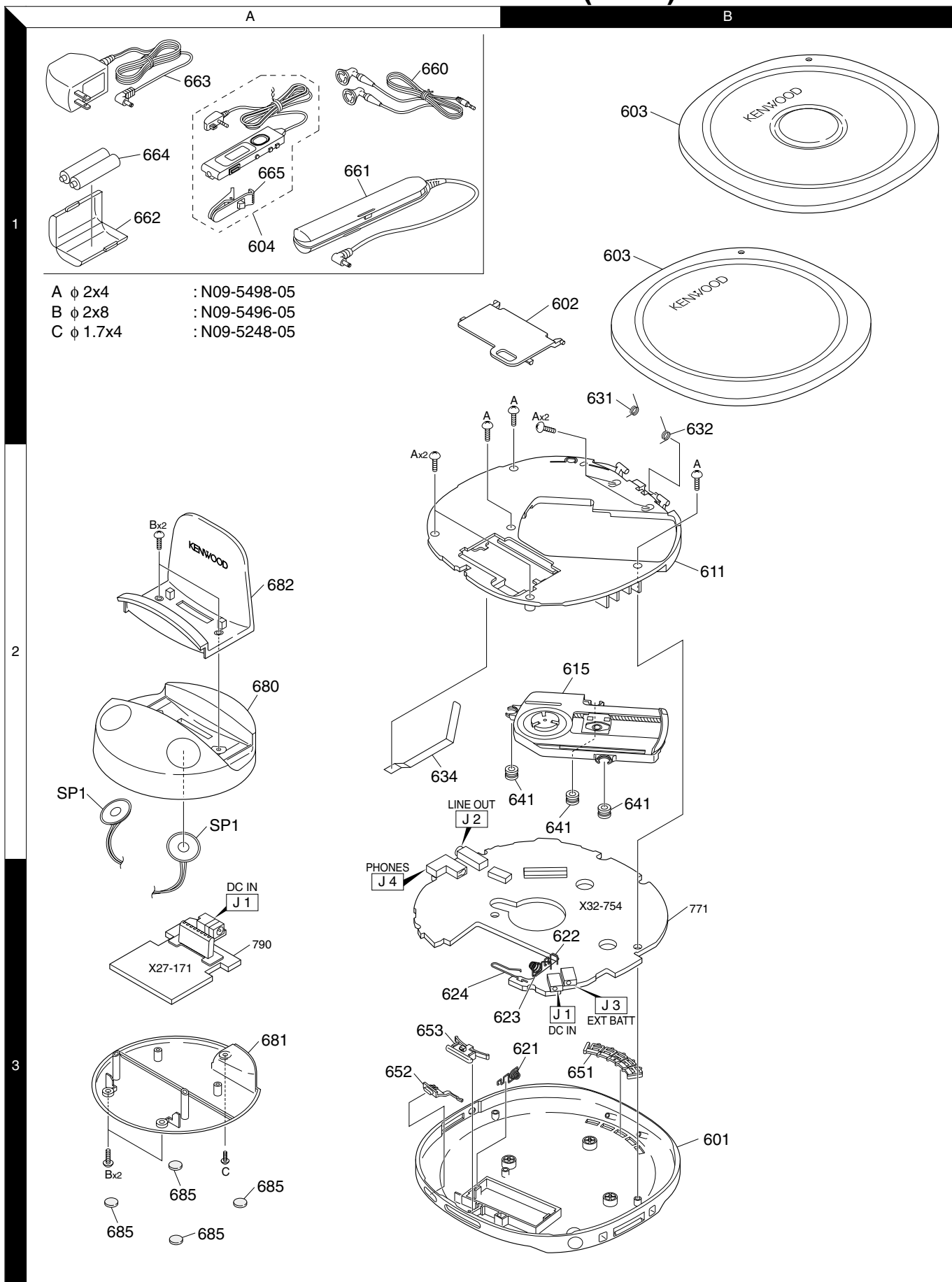
7540-04		DESTINATION	UNIT No.	(B)	(C)	(E)	(F)	(H)	(D)	(G)	C34	IC3	IC4	R27, 95,127	R96, 130	W5,7	W6	X1
MODEL	COUNTRY	ABB.																
>X660	JAPAN	J8	0-04	NO	YES	NO	NO	NO	YES	NO	47u4	IC41LV44002-50 or IC41LV4400250T	NO	NO	YES	NO	YES	YES

CAUTION: For continued safety, replace safety critical components only with manufacturer's recommended parts (refer to parts list). ⚠ indicates safety critical components. For continued protection against risk of fire, replace only with same type and rating fuse(s). To reduce the risk of electric shock, leakage-current or resistance measurements shall be carried out (exposed parts are acceptably insulated from the supply circuit) before the appliance is returned to the customer.

The DC voltage is an actual reading measured with a high impedance type voltmeter. The measurement value may vary depending on the measuring instruments used or on the product. Refer to the voltage during PLAY unless otherwise specified; The value shown in () is the voltage measured at the moment of STOP.

DPC-X537/X637/X937

EXPLODED VIEW (UNIT)



* New Parts

Parts without **Parts No.** are not supplied.
Les articles non mentionnés dans le **Parts No.** ne sont pas fournis.
Teile ohne **Parts No.** werden nicht geliefert.

①

Ref. No	Address	New Parts	Parts No.	Description	Destination	Remarks
DPC-X537/X637/X937						
601	3B	*	A02-3084-11	PLASTIC CABINET	E9Y9	
601	3B	*	A02-3091-01	PLASTIC CABINET	E1E2E3	
601	3B	*	A02-3091-01	PLASTIC CABINET	Y1	
601	3B	*	A02-3092-01	PLASTIC CABINET	E4	
602	1B	*	A09-1288-03	BATTERY COVER	Y1Y9	
602	1B	*	A09-1289-03	BATTERY COVER	E1E2E3	
602	1B	*	A09-1289-03	BATTERY COVER	E4E9	
603	1B	*	A53-2389-13	LID ASSY	E1	
603	1B	*	A53-2390-13	LID ASSY	Y1E2	
603	1B	*	A53-2391-13	LID ASSY	E3	
603	1B	*	A53-2392-13	LID ASSY	E4	
603	1B	*	A53-2399-13	LID ASSY	E9Y9	
604	1A	*	A70-1638-05	REMOTE CONTROLLER ASSY		
-		*	B60-5378-00	INSTRUCTION MANUAL(EN)		
-		*	B60-5379-00	INSTRUCTION MANUAL(GE/IT/ES)	E1E2E3	
-		*	B60-5379-00	INSTRUCTION MANUAL(GE/IT/ES)	E4E9	
611	2B	*	B07-2667-01	ESCUTCHEON	E1E2E3	
611	2B	*	B07-2667-01	ESCUTCHEON	E4E9	
611	2B	*	B07-2673-01	ESCUTCHEON	Y1Y9	
615	2B	*	D40-1821-05	MECHANISM ASSY		
621	3B	*	E23-1885-04	TERMINAL		
622	3B	*	E23-1886-04	TERMINAL		
623	3B	*	E23-1887-04	TERMINAL		
624	3B	*	E23-1888-04	TERMINAL		
631	2A	*	G01-4348-04	TORSION COIL SPRING	E9Y9	
631	2A	*	G01-4355-04	TORSION COIL SPRING	E1E2E3	
631	2A	*	G01-4355-04	TORSION COIL SPRING	E4Y1	
632	2A	*	G01-4349-04	TORSION COIL SPRING	E9Y9	
632	2A	*	G01-4356-04	TORSION COIL SPRING	E1E2E3	
632	2A	*	G01-4356-04	TORSION COIL SPRING	E4Y1	
634	2A	*	G16-1274-04	SHEET		
-		*	H50-4817-02	ITEM CARTON CASE	Y1	
-		*	H50-4818-02	ITEM CARTON CASE	E1	
-		*	H50-4819-02	ITEM CARTON CASE	E2	
-		*	H50-4820-02	ITEM CARTON CASE	E3	
-		*	H50-4821-02	ITEM CARTON CASE	E4	
-		*	H50-4828-02	ITEM CARTON CASE	Y9	
-		*	H50-4829-02	ITEM CARTON CASE	E9	
641	2B	*	J02-1556-05	INSULATOR		
651	3B	*	K29-8299-03	KNOB		
652	3A	*	K29-8301-13	KNOB		
653	3A	*	K29-8303-03	KNOB		
660	1A	*	W01-1818-05	STEREO HEADPHONE		
661	1A	*	W01-1822-05	BATTERY CASE	E9Y9	
662	1A	*	W01-1823-05	BATTERY CASE	E4E9Y9	
663	1A	*	W08-0693-05	AC ADAPTER	E4E9	
663	1A	*	W08-0694-05	AC ADAPTER	Y9	
664	1A	*	W09-1307-05	BATTERY	E4E9	
664	1A	*	W09-1308-05	BATTERY	Y9	

L : Scandinavia K : USA P : Canada R : Mexico C : China I : Malaysia
Y : PX(Far East,Hawaii) T : England E : Europe G : Germany V : China(Shanghai)
Y : AAFES(Europe) X : Australia Q : Russia H : Korea M : Other Areas ⚠ indicates safety critical components.

* New Parts

Parts without **Parts No.** are not supplied.
Les articles non mentionnés dans le **Parts No.** ne sont pas fournis.
Teile ohne **Parts No.** werden nicht geliefert.

②

Ref. No	Address	New Parts	Parts No.	Description	Destination	Remarks
665	1A		W01-1819-08	CABLE CLIP		
CHAGER						
680	2A	*	A02-3080-13	PLASTIC CABINET		
681	3A	*	A10-3604-13	CHASSIS		
682	2A	*	A21-5445-03	DRESSING PANEL		
685	3A	*	G11-2938-04	CUSHION		
SP1	2A	*	T07-0919-05	FULLRANGE		
RECHARGE (X27-1710-00)						
C1	,2		CK73GB1C104K	CHIP C	0.10UF	K
C3	,4		CC73GCH1H820J	CHIP C	82PF	J
C5	,6		CE04LW1A101M	ELECTRO	100UF	10WV
C8			CE04LW1A101M	ELECTRO	100UF	10WV
C9			CK73GB1C104K	CHIP C	0.10UF	K
C10			CK73GB1E103K	CHIP C	0.010UF	K
C11			CK73GB1C104K	CHIP C	0.10UF	K
C13			CK73FF1A475Z	CHIP C	4.7UF	Z
J1		*	E03-0400-05	DC JACK		
J2		*	E68-0020-05	JACK(OTHERS)		
R1	,2		RK73GB1J103J	CHIP R	10K	J 1/16W
R3	,4		RK73GB1J473J	CHIP R	47K	J 1/16W
R5			RK73GB1J392J	CHIP R	3.9K	J 1/16W
R6			RK73FB2A122J	CHIP R	1.2K	J 1/10W
R8	,9		RK73GB1J103J	CHIP R	10K	J 1/16W
R10			RK73GB1J561J	CHIP R	560	J 1/16W
R11			RK73GB1J102J	CHIP R	1.0K	J 1/16W
R12-14			RK73FB2A122J	CHIP R	1.2K	J 1/10W
D1		*	HZU4.3(B2)	ZENER DIODE		
D1		*	UDZS4.3B	ZENER DIODE		
D2		*	CRS06	DIODE		
D3		*	HZU8.2(B2)	ZENER DIODE		
D3		*	UDZS8.2B	ZENER DIODE		
IC1		*	BH7826FVM	ANALOGUE IC		
Q1			2SC3940A(R,S)	TRANSISTOR		
Q2			DTC124EUA	DIGITAL TRANSISTOR		
Q2			KRC403	DIGITAL TRANSISTOR		
Q2			UN5212	DIGITAL TRANSISTOR		
CONTROL (X32-7540-00)						
D3			B30-2233-05	LED(RED,HI-BRIGHT)		
C1			CE32APOG470M	CHIP EL	47UF	4.0WV
C3			CE32APOG470M	CHIP EL	47UF	4.0WV
C4			CK73GB1C473K	CHIP C	0.047UF	K
C5			CK73GB1A224K	CHIP C	0.22UF	K
C6			CK73GB1E123K	CHIP C	0.012UF	K
C7			CK73GB1C473K	CHIP C	0.047UF	K
C8			CK73GB1H562K	CHIP C	5600PF	K
C10			CS77SA20G220M	CHIP TINTL	22UF	4.0WV
C11			CE32APOG101M	CHIP EL	100UF	4.0WV
C12			CS77SA20G220M	CHIP TINTL	22UF	4.0WV
C13			CC73GCH1H271J	CHIP C	270PF	J
C14			CK73GB1H682K	CHIP C	6800PF	K
C15			CC73GSL1H561J	CHIP C	560PF	J

L : Scandinavia K : USA P : Canada R : Mexico C : China I : Malaysia
Y : PX(Far East,Hawaii) T : England E : Europe G : Germany V : China(Shanghai)
Y : AAFES(Europe) X : Australia Q : Russia H : Korea M : Other Areas ⚠ indicates safety critical components.

PARTS LIST

DPC-X537/X637/X937

* New Parts
Parts without **Parts No.** are not supplied.
Les articles non mentionnés dans le **Parts No.** ne sont pas fournis.
Teile ohne **Parts No.** werden nicht geliefert.

3

Ref. No	Add-ress	New Parts	Parts No.	Description	Desti-nation	Re-marks
C16			CK73GB0J105K	CHIP C	1.0UF	K
C17			CK73GB1E223K	CHIP C	0.022UF	K
C18			CK73GB1H562K	CHIP C	5600PF	J
C19			CC73GSL1H561J	CHIP C	560PF	K
C20			CK73GB1E103K	CHIP C	0.010UF	K
C21 ,22			CK73GB1E223K	CHIP C	0.022UF	K
C23			CK73GB1A154K	CHIP C	0.15UF	K
C24			CK73GB1C683K	CHIP C	0.068UF	K
C25			CK73GB1A474K	CHIP C	0.47UF	K
C26			CK73GB1E103K	CHIP C	0.010UF	K
C27 ,28			CE32AP0G101M	CHIP EL	100UF	4.0WV
C29			CK73GB1C104K	CHIP C	0.10UF	K
C30 ,31			CC73GCH1H090D	CHIP C	9.0PF	D E9Y9
C32			CK73GB1C104K	CHIP C	0.10UF	K
C34			CE32AP0G101M	CHIP EL	100UF	4.0WV E9Y9
C34			CE32AP0G470M	CHIP EL	47UF	4.0WV E1E2E3
C34			CE32AP0G470M	CHIP EL	47UF	4.0WV E4Y1
C35			CK73GB1C104K	CHIP C	0.10UF	K
C37 ,38			CK73GB1H102K	CHIP C	1000PF	K E9Y9
C39 ,40			CE32AP1C100M	CHIP EL	10UF	16WV E4E9Y9
C41 ,42			CK73GB1H102K	CHIP C	1000PF	K
C43 ,44			CK73GF1A105Z	CHIP C	1.0UF	Z
C45 ,46			CK73GB1A224K	CHIP C	0.22UF	K
C47 ,48			CE32AP0G221M	CHIP EL	220UF	4.0WV
C49 ,50			CK73GB1H102K	CHIP C	1000PF	K
C51			CK73GB1A334K	CHIP C	0.33UF	K
C52			CK73GB1A474K	CHIP C	0.47UF	K
C53			CE32AP1C100M	CHIP EL	10UF	16WV
C54 ,55			CE32AP0G470M	CHIP EL	47UF	4.0WV
C56			CK73GB1A334K	CHIP C	0.33UF	K
C57			CE32AP0G470M	CHIP EL	47UF	4.0WV
C58			CK73GB1C104K	CHIP C	0.10UF	K
C59			CC73GSL1H391J	CHIP C	390PF	J
C60			CK73GF1A105Z	CHIP C	1.0UF	Z
C61			CK73GB1E103K	CHIP C	0.010UF	K
C62 -64			CE32AP0G470M	CHIP EL	47UF	4.0WV
C65			C92-0266-05	TANTAL	47UF	10WV
C66		*	C92-0267-05	ELECTRO	220UF	6.3WV
C68			CK73GF1A105Z	CHIP C	1.0UF	Z
C69			CE32AP1C470M	CHIP EL	47UF	16WV
C70 ,71			CK73GF1A105Z	CHIP C	1.0UF	Z
C72 ,73			CK73GB1C104K	CHIP C	0.10UF	K
C74			CE32AP0G470M	CHIP EL	47UF	4.0WV
C75 ,76			CK73GF1A105Z	CHIP C	1.0UF	Z
C77			CK73GB1C104K	CHIP C	0.10UF	K E1E2E3
C77			CK73GB1C104K	CHIP C	0.10UF	K Y1
C78			CC73GCH1H101J	CHIP C	100PF	J E4E9Y9
C79			CK73GB1C104K	CHIP C	0.10UF	K E9Y9
C80			CE32AP0G470M	CHIP EL	47UF	4.0WV E9Y9
C81			CK73GB1C104K	CHIP C	0.10UF	K E9Y9
C82			CK73GB1C104K	CHIP C	0.10UF	K
C83			CK73GB1E103K	CHIP C	0.010UF	K E9Y9
C84			CK73GB1H102K	CHIP C	1000PF	K E9Y9
C85			CK73GB1E103K	CHIP C	0.010UF	K E9Y9
C86			CC73GCH1H220J	CHIP C	22PF	J

L : Scandinavia K : USA P : Canada R : Mexico C : China I : Malaysia
Y : PX(Far East,Hawaii) T : England E : Europe G : Germany V : China(Shanghai)
Y : AAFES(Europe) X : Australia Q : Russia H : Korea M : Other Areas Δ indicates safety critical components.

* New Parts
Parts without **Parts No.** are not supplied.
Les articles non mentionnés dans le **Parts No.** ne sont pas fournis.
Teile ohne **Parts No.** werden nicht geliefert.

4

Ref. No	Add-ress	New Parts	Parts No.	Description	Desti-nation	Re-marks
C87			CK73GF1A105Z	CHIP C	1.0UF	Z
C88			CK73GB1E103K	CHIP C	0.010UF	K
C89 ,90			CK73GF1A105Z	CHIP C	1.0UF	Z
C91			CE32AP0G101M	CHIP EL	100UF	4.0WV
C92			CK73GB1E103K	CHIP C	0.010UF	K
C93			CK73GB1C104K	CHIP C	0.10UF	K
C94			CK73GB1E103K	CHIP C	0.010UF	K
C95 -97			CC73GCH1H101J	CHIP C	100PF	J
C98			CK73GB1E103K	CHIP C	0.010UF	K
C100			CE32AP1C100M	CHIP EL	10UF	16WV
C101,102			CK73GB1H102K	CHIP C	1000PF	K E4E9Y9
C103,104			CK73GB1C104K	CHIP C	0.10UF	K
C105			CK73GB1E103K	CHIP C	0.010UF	K
C106			CK73GF1A105Z	CHIP C	1.0UF	Z
CN1		*	E41-0919-05	FLAT CABLE CONNECTOR		
CN2		*	E40-5171-05	PIN ASSY		
J1		*	E03-0506-05	DC JACK		E1E2E3
J1		*	E03-0506-05	DC JACK		Y1
J2		*	E11-0971-05	MINIATURE PHONE JACK(DIA 3.5)		E9Y9
J3		*	E03-0507-05	DC JACK		E9Y9
J4		*	E11-0960-05	MINIATURE PHONE JACK(DIA 3.5,8)		
L1		*	L33-1662-05	SMALL FIXED INDUCTOR		
L2		*	L33-1661-05	CHOKE COIL		
L3		*	L33-1660-05	CHOKE COIL		
X1		*	L78-0763-05	RESONATOR (16.93MHZ)		E1E2E3
X1		*	L78-0763-05	RESONATOR (16.93MHZ)		E4Y1
X2			L77-2412-05	CRYSTAL RESONATOR(16.9344MHZ)		E9Y9
R1			RK73GB1J100J	CHIP R	10	J 1/16W
R2			RK73GB1J2R2J	CHIP R	2.2	J 1/16W
R3			RK73GB1J103J	CHIP R	10K	J 1/16W
R4 ,5			RK73GB1J104J	CHIP R	100K	J 1/16W
R7			RK73GB1J100J	CHIP R	10	J 1/16W
R9			RK73GB1J683J	CHIP R	68K	J 1/16W
R10			RK73GB1J102J	CHIP R	1.0K	J 1/16W
R11			RK73GB1J303J	CHIP R	30K	J 1/16W
R12			RK73GB1J334J	CHIP R	330K	J 1/16W
R13			RK73GB1J104J	CHIP R	100K	J 1/16W
R14			RK73GB1J103J	CHIP R	10K	J 1/16W
R15 ,16			RK73GB1J512J	CHIP R	5.1K	J 1/16W
R19			RK73GB1J222J	CHIP R	2.2K	J 1/16W
R20 ,21			RK73GB1J563J	CHIP R	56K	J 1/16W
R22			RK73GB1J104J	CHIP R	100K	J 1/16W
R23			RK73GB1J181J	CHIP R	180	J 1/16W
R24			RK73GB1J222J	CHIP R	2.2K	J 1/16W
R25			RK73GB1J101J	CHIP R	100	J 1/16W
R26			RK73GB1J560J	CHIP R	56	J 1/16W
R27			RK73GB1J331J	CHIP R	330	J 1/16W E9Y9
R28			RK73GB1J331J	CHIP R	330	J 1/16W
R29			RK73GB1J470J	CHIP R	47	J 1/16W
R30			RK73GB1J2R2J	CHIP R	2.2	J 1/16W
R31 ,32			RK73GB1J221J	CHIP R	220	J 1/16W E9Y9
R33 ,34			RK73GB1J104J	CHIP R	100K	J 1/16W E4E9Y9
R35 ,36			RK73GB1J332J	CHIP R	3.3K	J 1/16W E4E9Y9

L : Scandinavia K : USA P : Canada R : Mexico C : China I : Malaysia
Y : PX(Far East,Hawaii) T : England E : Europe G : Germany V : China(Shanghai)
Y : AAFES(Europe) X : Australia Q : Russia H : Korea M : Other Areas Δ indicates safety critical components.

* New Parts

Parts without **Parts No.** are not supplied.
 Les articles non mentionnés dans le **Parts No.** ne sont pas fournis.
 Teile ohne **Parts No.** werden nicht geliefert.

5

Ref. No	Add-ress	New Parts	Parts No.	Description	Desti-nation	Re-marks
R37 ,38			RK73GB1J183J	CHIP R	18K	J 1/16W
R39 ,40			RK73GB1J335J	CHIP R	3.3M	J 1/16W
R43 ,44			RK73GB1J622J	CHIP R	6.2K	J 1/16W
R45 ,46			RK73GB1J100J	CHIP R	10	J 1/16W
R47 ,48			RK73GB1J223J	CHIP R	22K	J 1/16W
R49 ,50			RK73GB1J4R7J	CHIP R	4.7	J 1/16W
R51 ,52			RK73GB1J2R2J	CHIP R	2.2	J 1/16W
R53			RK73GB1J183J	CHIP R	18K	J 1/16W
R54			RK73GB1J123J	CHIP R	12K	J 1/16W
R55			RK73GB1J471J	CHIP R	470	J 1/16W
R56			RK73GB1J103J	CHIP R	10K	J 1/16W
R57			RK73GB1J1R0J	CHIP R	1	J 1/16W
R58		*	R92-4592-05	METAL GLAZE	11K	F 1/16W
R59			RK73GB1J223J	CHIP R	22K	J 1/16W
R60		*	R92-4593-05	METAL GLAZE	18K	F 1/16W
R61		*	R92-4594-05	METAL GLAZE	27K	F 1/16W
R62			R92-4568-05	METAL GLAZE	12K	F 1/16W
R63			RK73GB1J105J	CHIP R	1.0M	J 1/16W
R64			RK73GB1J333J	CHIP R	33K	J 1/16W
R65			RK73GB1J104J	CHIP R	100K	J 1/16W
R66			RK73GB1J473J	CHIP R	47K	J 1/16W
R67			RK73GB1J683J	CHIP R	68K	J 1/16W
R68			RK73GB1J224J	CHIP R	220K	J 1/16W
R69			RK73GB1J104J	CHIP R	100K	J 1/16W
R70 ,71			RK73GB1J224J	CHIP R	220K	J 1/16W
R72			RK73GB1J154J	CHIP R	150K	J 1/16W
R73			RK73GB1J223J	CHIP R	22K	J 1/16W
R75			RK73GB1J104J	CHIP R	100K	J 1/16W
R76			RK73GB1J101J	CHIP R	100	J 1/16W
R77			RK73GB1J243J	CHIP R	24K	J 1/16W
R78			RK73GB1J122J	CHIP R	1.2K	J 1/16W
R79			RK73GB1J224J	CHIP R	220K	J 1/16W
R80			RK73GB1J331J	CHIP R	330	J 1/16W
R81			RK73GB1J473J	CHIP R	47K	J 1/16W
R82 -84			RK73GB1J1R0J	CHIP R	1	J 1/16W
R85			RK73GB1J182J	CHIP R	1.8K	J 1/16W
R85			RK73GB1J182J	CHIP R	1.8K	J 1/16W
R86 -88			RK73FB2A270J	CHIP R	27	J 1/10W
R86 -88			RK73FB2A270J	CHIP R	27	J 1/10W
R89 ,90			RK73GB1J472J	CHIP R	4.7K	J 1/16W
R91			RK73GB1J243J	CHIP R	24K	J 1/16W
R92			RK73GB1J622J	CHIP R	6.2K	J 1/16W
R93			RK73GB1J302J	CHIP R	3.0K	J 1/16W
R94			RK73GB1J182J	CHIP R	1.8K	J 1/16W
R95			RK73GB1J104J	CHIP R	100K	J 1/16W
R96			RK73GB1J104J	CHIP R	100K	J 1/16W
R96			RK73GB1J104J	CHIP R	100K	J 1/16W
R97			RK73GB1J151J	CHIP R	150	J 1/16W
R98			RK73GB1J103J	CHIP R	10K	J 1/16W
R99			RK73GB1J432J	CHIP R	4.3K	J 1/16W
R100			RK73GB1J103J	CHIP R	10K	J 1/16W
R101			RK73GB1J622J	CHIP R	6.2K	J 1/16W
R102,103			RK73GB1J224J	CHIP R	220K	J 1/16W
R104			RK73GB1J100J	CHIP R	10	J 1/16W
R105-107			RK73GB1J101J	CHIP R	100	J 1/16W

L : Scandinavia K : USA P : Canada R : Mexico C : China I : Malaysia
 Y : PX(Far East,Hawaii) T : England E : Europe G : Germany V : China(Shanghai)
 Y : AAFES(Europe) X : Australia Q : Russia H : Korea M : Other Areas Δ indicates safety critical components .

* New Parts

Parts without **Parts No.** are not supplied.
 Les articles non mentionnés dans le **Parts No.** ne sont pas fournis.
 Teile ohne **Parts No.** werden nicht geliefert.

6

Ref. No	Add-ress	New Parts	Parts No.	Description	Desti-nation	Re-marks
R108			RK73GB1J473J	CHIP R	47K	J 1/16W
R109			RK73GB1J473J	CHIP R	47K	J 1/16W
R110			RK73GB1J103J	CHIP R	10K	J 1/16W
R111			RK73GB1J102J	CHIP R	1.0K	J 1/16W
R112			RK73FB2A270J	CHIP R	27	J 1/10W
R112			RK73FB2A270J	CHIP R	27	J 1/10W
R113,114			RK73GB1J221J	CHIP R	220	J 1/16W
R115			RK73GB1J154J	CHIP R	150K	J 1/16W
R116			RK73GB1J333J	CHIP R	33K	J 1/16W
R117			RK73GB1J152J	CHIP R	1.5K	J 1/16W
R118			RK73GB1J104J	CHIP R	100K	J 1/16W
R119			RK73GB1J224J	CHIP R	220K	J 1/16W
R120			RK73GB1J103J	CHIP R	10K	J 1/16W
R121			RK73GB1J104J	CHIP R	100K	J 1/16W
R122			RK73GB1J334J	CHIP R	330K	J 1/16W
R124			RK73GB1J154J	CHIP R	150K	J 1/16W
R125			RK73GB1J473J	CHIP R	47K	J 1/16W
R126			RK73GB1J101J	CHIP-COM	100	J 1/16W
R127			RK74GB1J101J	CHIP-COM	100	J 1/16W
R128			RK73GB1J100J	CHIP R	10	J 1/16W
R129			RK73GB1J331J	CHIP R	330	J 1/16W
R130			RK73GB1J104J	CHIP R	100K	J 1/16W
R130			RK73GB1J104J	CHIP R	100K	J 1/16W
W2			R92-1252-05	CHIP R	0 OHM	J 1/16W
W3			R92-1252-05	CHIP R	0 OHM	J 1/16W
W3			R92-1252-05	CHIP R	0 OHM	J 1/16W
W5			R92-1252-05	CHIP R	0 OHM	J 1/16W
W6 ,7			R92-1252-05	CHIP R	0 OHM	J 1/16W
W6 ,7			R92-1252-05	CHIP R	0 OHM	J 1/16W
S1 -5			S70-0077-05	TACT SWITCH		
S6		*	S64-0063-05	LEVER SWITCH		
S7			S62-0863-05	SLIDE SWITCH		
D1		*	MA2YD21	DIODE		
D2		*	MA2YD21	DIODE		E4E9Y9
D4 ,5			MA111	DIODE		
D4 ,5			1SS355	DIODE		
D6			DA204U	DIODE		
D7			MA111	DIODE		
D8			1SS355	DIODE		
D8			HZU3.9(B2)	ZENER DIODE		
D9			UD2S3.9B	ZENER DIODE		
D9			MA111	DIODE		
D9			1SS355	DIODE		
IC1		*	AN22003A	ANALOGUE IC		
IC2		*	MN662787SC	MOS-IC		
IC3			IC41LV44002-50	MEMORY IC		E1E2E3
IC3			IC41LV44002-50	MEMORY IC		E4Y1
IC3			IC41LV4400250T	MEMORY IC		E1E2E3
IC3			IC41LV4400250T	MEMORY IC		E4Y1
IC3 ,4		*	A42U2604V-60	MEMORY IC		E9Y9
IC5		*	NJM2776RB2	ANALOGUE IC		
IC6			AN41502A	ANALOGUE IC		
IC7		*	XC62HR1502MR	ANALOGUE IC		
IC8			NJM12904V	ANALOGUE IC		E9Y9

L : Scandinavia K : USA P : Canada R : Mexico C : China I : Malaysia
 Y : PX(Far East,Hawaii) T : England E : Europe G : Germany V : China(Shanghai)
 Y : AAFES(Europe) X : Australia Q : Russia H : Korea M : Other Areas Δ indicates safety critical components .

PARTS LIST

DPC-X537/X637/X937

PARTS LIST

* New Parts
 Parts without **Parts No.** are not supplied.
 Les articles non mentionnes dans le **Parts No.** ne sont pas fournis.
 Teile ohne **Parts No.** werden nicht geliefert.



Ref. No	Add-ress	New Parts	Parts No.	Description	Desti-nation	Re-marks
IC9		*	MN101C70CKA	MICROPROCESSOR IC		
IC10		*	BR24L01AFVM-W	ROM IC		
Q1			2SA2018	TRANSISTOR		
Q2			DTA114EE	DIGITAL TRANSISTOR		
Q2		*	KRA302E	DIGITAL TRANSISTOR		
Q2		*	UN9111	DIGITAL TRANSISTOR		
Q4			DTC114YE	DIGITAL TRANSISTOR		
Q4		*	KRC407E	DIGITAL TRANSISTOR		
Q4		*	UN9214	DIGITAL TRANSISTOR		
Q5			DTC114EE	DIGITAL TRANSISTOR		
Q5		*	KRC402E	DIGITAL TRANSISTOR		
Q5		*	UN9211	DIGITAL TRANSISTOR		
Q7 ,8			DTC323TU	DIGITAL TRANSISTOR	E4E9Y9	
Q9			DTC114EE	DIGITAL TRANSISTOR		
Q9		*	KRC402E	DIGITAL TRANSISTOR		
Q9		*	UN9211	DIGITAL TRANSISTOR		
Q11 ,12			2SK3019	FET		
Q13 ,14			DTC323TU	DIGITAL TRANSISTOR		
Q15			DTA143TE	DIGITAL TRANSISTOR		
Q15		*	KRA310E	DIGITAL TRANSISTOR		
Q15		*	UN9116	DIGITAL TRANSISTOR		
Q18			2SB1424(Q,R)	TRANSISTOR		
Q19			DTC114EE	DIGITAL TRANSISTOR		
Q19		*	KRC402E	DIGITAL TRANSISTOR		
Q19		*	UN9211	DIGITAL TRANSISTOR		
Q21		*	DTC114EE	DIGITAL TRANSISTOR		
Q21		*	KRC402E	DIGITAL TRANSISTOR		
Q21		*	UN9211	DIGITAL TRANSISTOR		
Q22			2SA1774(R,S)	TRANSISTOR		
Q22		*	2SB1462J	TRANSISTOR		
Q23		*	DTC114EE	DIGITAL TRANSISTOR		
Q23		*	KRC402E	DIGITAL TRANSISTOR		
Q23		*	UN9211	DIGITAL TRANSISTOR		
Q24		*	UN921DJ	DIGITAL TRANSISTOR		
Q25			DTC114EE	DIGITAL TRANSISTOR	E4E9Y9	
Q25		*	KRC402E	DIGITAL TRANSISTOR	E4E9Y9	
Q25		*	UN9211	DIGITAL TRANSISTOR	E4E9Y9	
Q26		*	ECH8601-E	FET	E4E9Y9	
Q27			DTA114EE	DIGITAL TRANSISTOR	E9Y9	
Q27		*	KRA302E	DIGITAL TRANSISTOR	E9Y9	
Q27		*	UN9111	DIGITAL TRANSISTOR	E9Y9	
Q28			2SD2114K	TRANSISTOR		
Q29			2SA1774(R,S)	TRANSISTOR	E9Y9	
Q29		*	2SB1462J	TRANSISTOR	E9Y9	
Q30			DTC114YE	DIGITAL TRANSISTOR		
Q30		*	KRC407E	DIGITAL TRANSISTOR		
Q30		*	UN9214	DIGITAL TRANSISTOR		
Q31			2SA1774(R,S)	TRANSISTOR		
Q31		*	2SB1462J	TRANSISTOR		
Q32			2SC4617(R,S)	TRANSISTOR		
Q32		*	2SD2216J	TRANSISTOR		
Q33			2SA1774(R,S)	TRANSISTOR		
Q33		*	2SB1462J	TRANSISTOR		

L : Scandinavia K : USA P : Canada R : Mexico C : China I : Malaysia
 Y : PX(Far East,Hawaii) T : England E : Europe G : Germany V : China(Shanghai)
 Y : AAFES(Europe) X : Australia Q : Russia H : Korea M : Other Areas ⚠ indicates safety critical components.

DPC-X537/X637/X937

SPECIFICATIONS

DPC-X937

Main Unit

Format

System Compact disc digital audio system

Laser Semiconductor laser

Audio

Frequency response 20 Hz to 20 kHz, -9 ~+0.2 dB

Headphone output level (16Ω) 5.0 mW + 5.0 mW

Line output/impedance 0.420 V / 10 kΩ

Power supply

Rechargeable batteries (NB-3A70) DC 1.2 V x 2

Commercially-available alkaline batteries (LR03)

..... DC 1.5 V x 2

Dimensions (W x H x D) .. 131 mm x 20.7 mm x 132 mm

(5- 3/16" x 13/16" x 5-3/16")

Weight (net) 190 g (6.7 oz)

Recharger stand

Power supply

AC adaptor (AC50040) DC 5.0 V

Separately sold option part

Rechargeable Nickel Metal Hydride Battery NB-3A70

Battery life (Fully charge)

	SHOCK GUARD "HI"	SHOCK GUARD "Lo"
Rechargeable batteries *1	Approx. 15 Hours	Approx. 8 Hours
Commercially-available alkaline batteries *2	Approx. 20 Hours	Approx. 10 Hours
Rechargeable batteries + Battery case	Approx. 63 Hours	Approx. 26 Hours
Alkaline batteries + Battery case	Approx. 68 Hours	Approx. 28 Hours

*1 : NB-3A70 *2 : LR03

- At 0.1mW+0.1mW output (16Ω load).
- Standard value during continuous use/charging in an temperature of 20°C.
- Time of use may vary depending on battery maker, battery type, use environment, and temperature.



KENWOOD follows a policy of continuous advancements in development. For this reason specifications may be changed without notice.

- Sufficient performance may not be exhibited at extremely cold locations (Where water freezes).