

MULTIPLE COMPACT DISC PLAYER

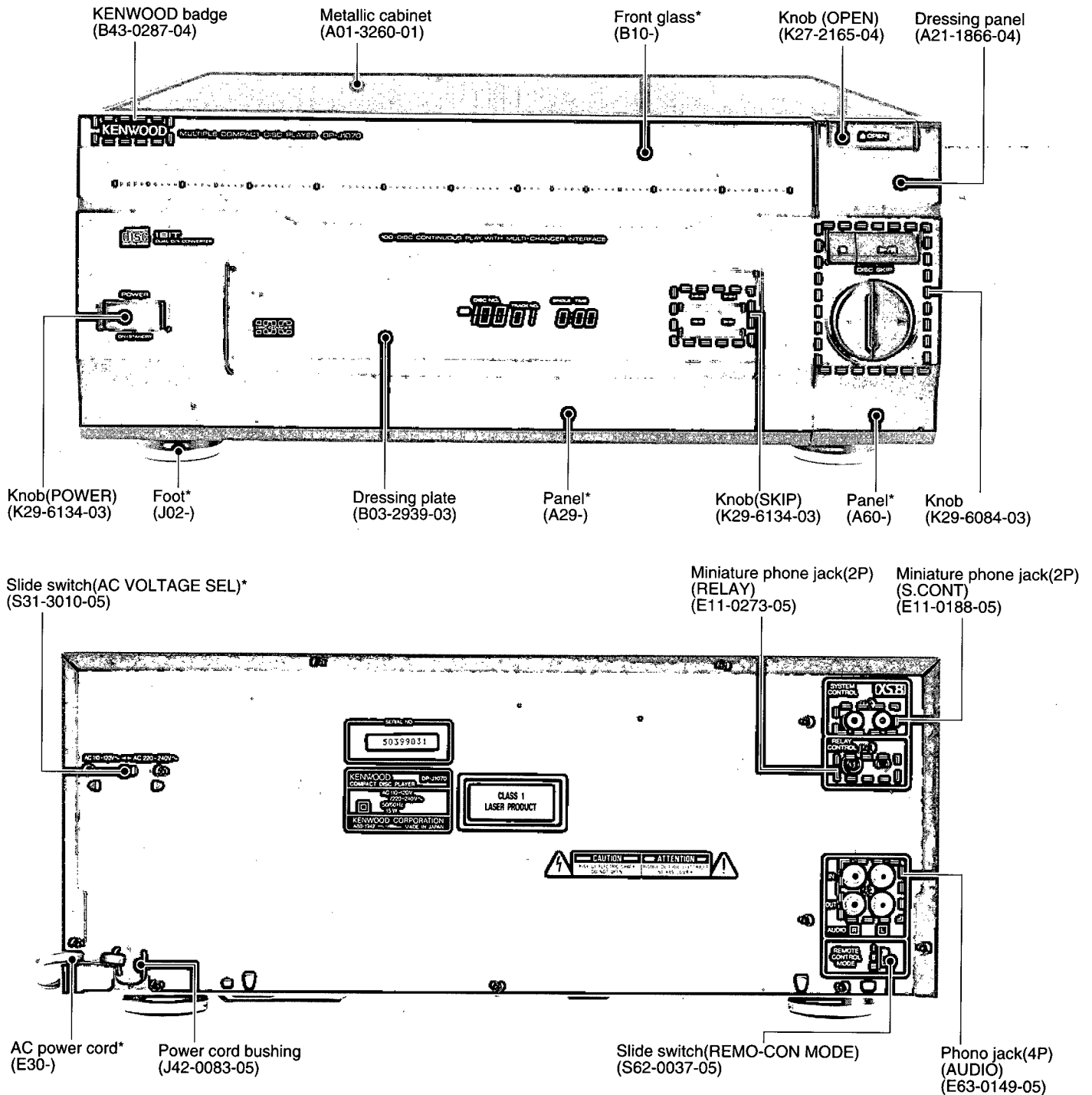
DP-J695/J1070/J2070

SERVICE MANUAL

KENWOOD

© 1995-8 PRINTED IN KOREA
B51-5071-00 (K) 4010

DP-J695/J1070



In compliance with Federal Regulations, following are reproductions of labels on, or inside the product relating to laser product safety.

KENWOOD-Corp. certifies this equipment conforms to DHHS Regulations No. 21 CFR 1040. 10, Chapter 1, Subchapter J.

DANGER : Laser radiation when open and interlock defeated.
AVOID DIRECT EXPOSURE TO BEAM.

Photo is DP-J1070.

*Refer to parts list on page 39.

DP-J695/J1070/J2070

CONTENTS / ACCESSORIES

EXTERNAL VIEW(DP-J2070).....3	ADJUSTMENT22
CONTROLS4	PC BOARD24
REMOTE CONTROL OPERATION5	SCHEMATIC DIAGRAM27
DISASSEMBLY FOR REPAIR.....6	EXPLODED VIEW(MECHANISM)36
BLOCK DIAGRAM9	EXPLODED VIEW(UNIT).....37
CIRCUIT DESCRIPTION10	PARTS LIST.....39
MECHANISM OPERATION DESCRIPTION20	SPECIFICATIONSBack cover

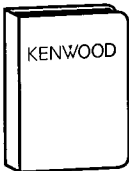
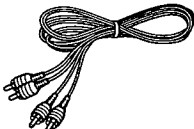
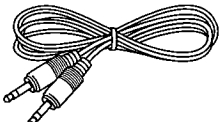

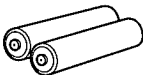
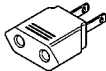

Refer to the following service manual, if detailed description about items in the table below is needed.

Ref No.	IC Name	Reference S/M	Page
IC1	CXA1782BQ	DP-ME9	9,10
IC2	CXD2500BQ	DP-MA5/MA9	17,18
IC7	CXD2512AQ	DP-R6070	7,8

*1

RC-P0201	A70-1013-15	DP-J2070	KPYXTEG
RC-P0201	A70-1040-05	DP-J2070	M
RC-P0100	A70-1014-15	DP-J695/J1070	KRPYX
RC-P0100	A70-1041-05	DP-J695/J1070	M

Accessories

<p>Liner note file (W01-0879-05)</p> 	<p>Audio cord (1) (E30-0505-05)</p> 	<p>System control cord (1) (E30-2733-05)</p> 
<p>Remote control unit (1) *1</p> 	<p>Batteries (R6/AA) (2)</p> 	<p>AC Plug adaptor (1) (E03-0115-05) M type only</p> 
<p>Battery cover : (A09-0303-08)</p> 		

Removing the transport screws

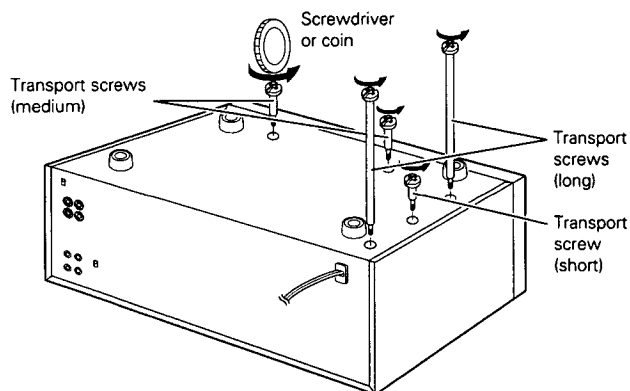
Before using the unit, remove the 5 red transport screws (long x 2, medium x 2, short x 1) on the rear panel.

The screws can be removed by rotating in the directions of the arrows. After removing, be sure to retain the screws in a plastic bag, etc. They will be required the next time the unit is transported.

Before transporting the unit again, remove all discs from the rack, switch the power OFF and attach screws to their respective transport fixing holes.



This unit incorporates precision mechanisms. Avoid applying shock to the unit after the transport screws have been removed. Shock may cause malfunction of the mechanisms.



Beware of condensation

When water vapor comes into contact with the surface of cold material, water drops are produced.

If condensation occurs, correct operation may not be possible, or the unit may not function correctly.

This is not a malfunction, however, and the unit should be dried. (To do this, turn the POWER switch ON and leave the unit as it is for several hours.)

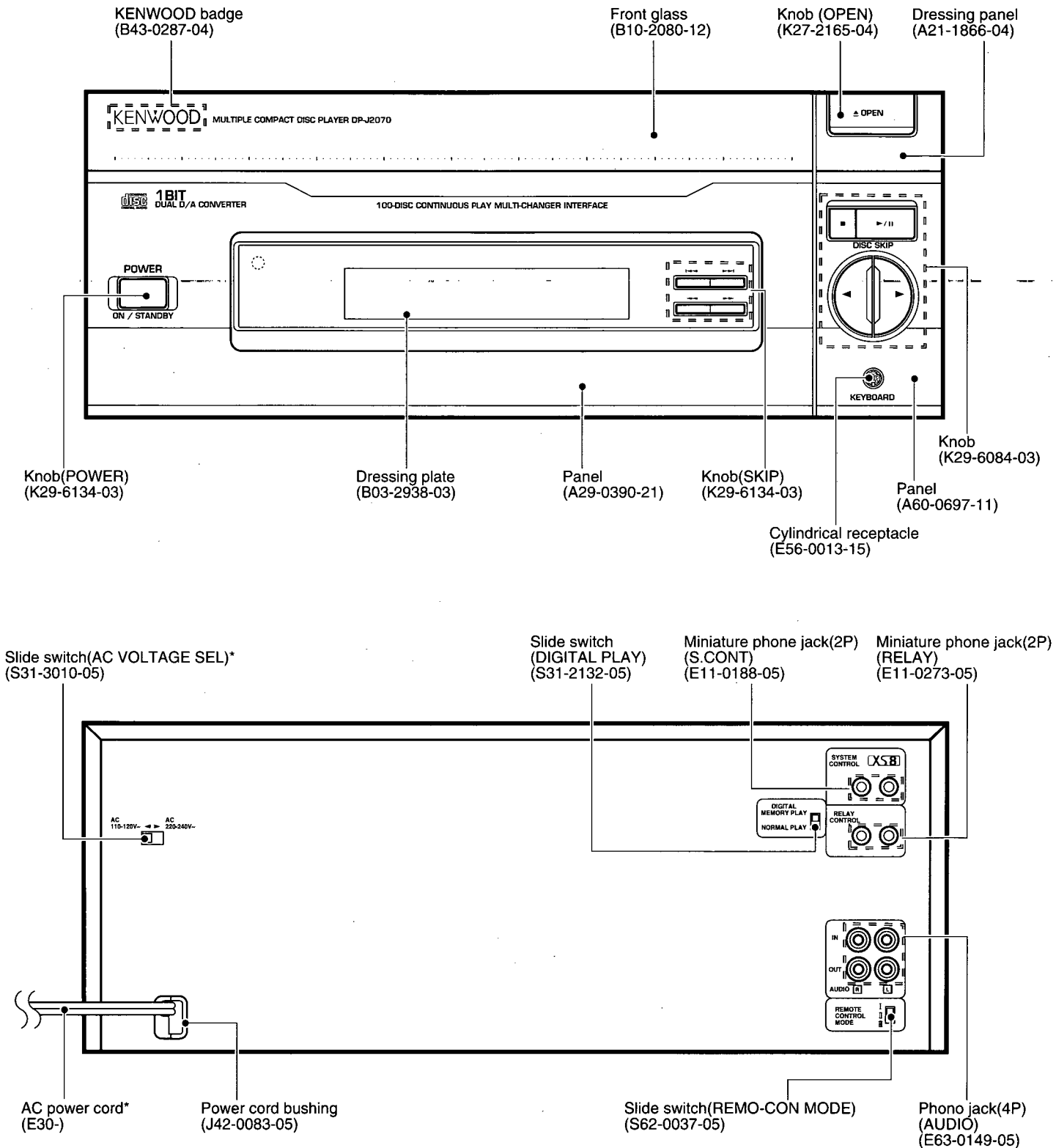
Be especially careful in the following conditions:

- When the unit is brought from a cold place to warm place, and there is a large temperature difference.
- When a heater starts operating.
- When the unit is brought from an air-conditioned place to a place of high temperature with high humidity.
- When there is a large difference between the internal temperature of the unit and the ambient temperature, or in conditions where condensation occurs easily.

DP-J695/J1070/J2070

EXTERNAL VIEW

DP-J2070



Operation to reset

The microcomputer may fall into malfunction (impossibility to operate, erroneous display, etc.) when the power cord is unplugged while power is ON or due to an external factor. In this case, execute the following method to reset the microcomputer and return it to normal condition.

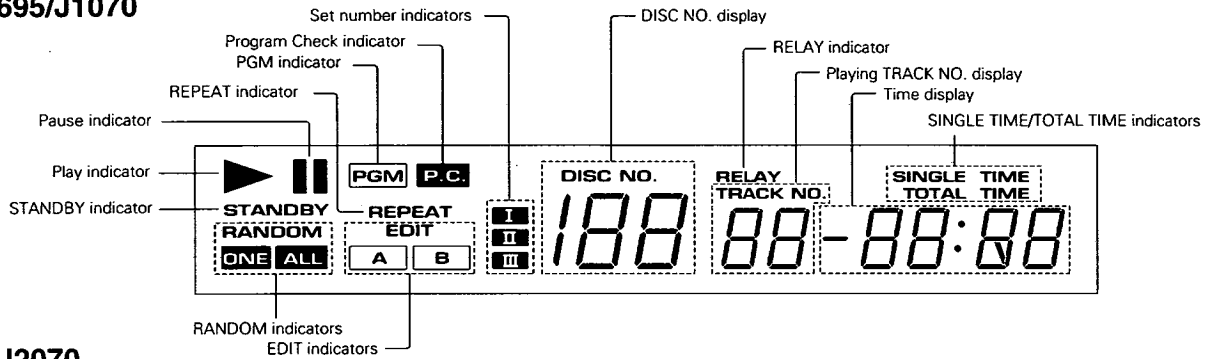
Unplug the power cord from the power socket and, while holding the STOP key depressed, plug the power cord into the socket again.

- Please note that restarting the microcomputer clears the contents stored in it and returns it to the condition when it left the factory.

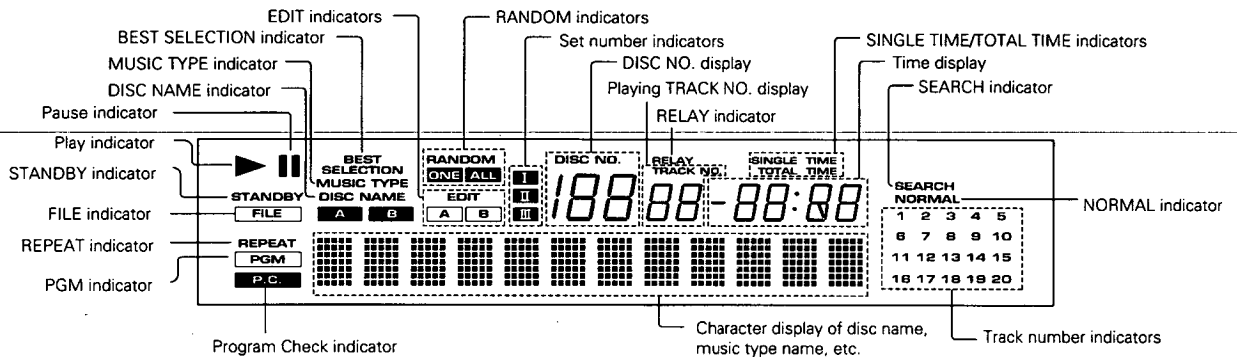
DP-J695/J1070/J2070

CONTROLS

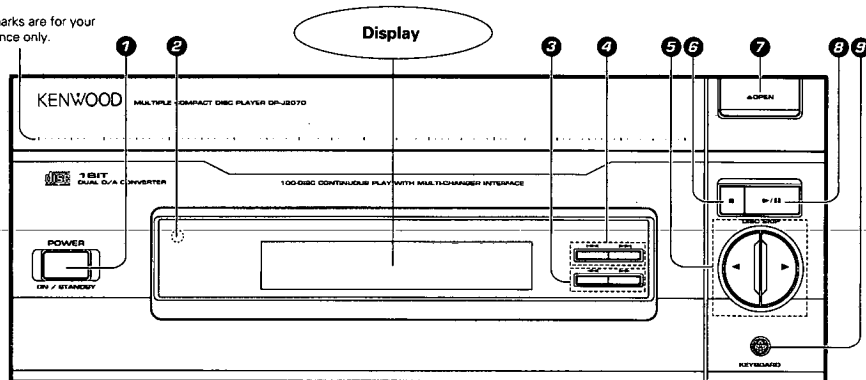
DP-695/J1070



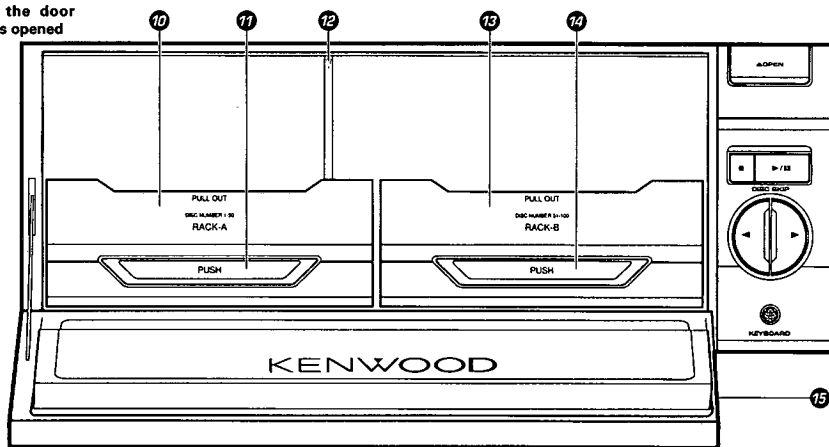
DP-J2070



The marks are for your reference only.



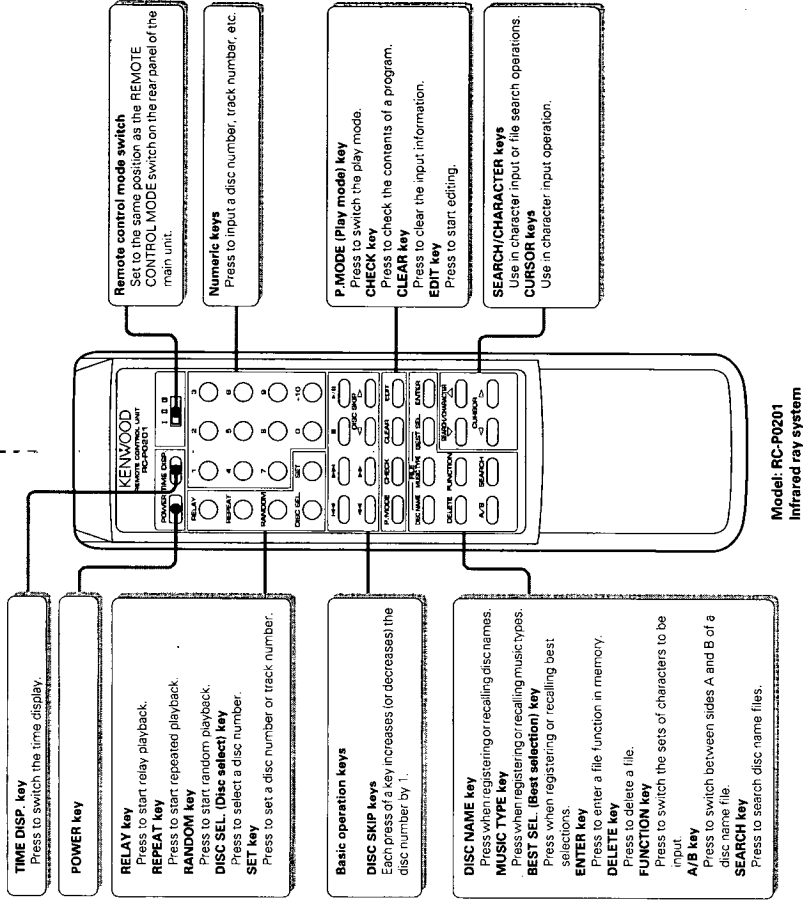
When the door panel is opened



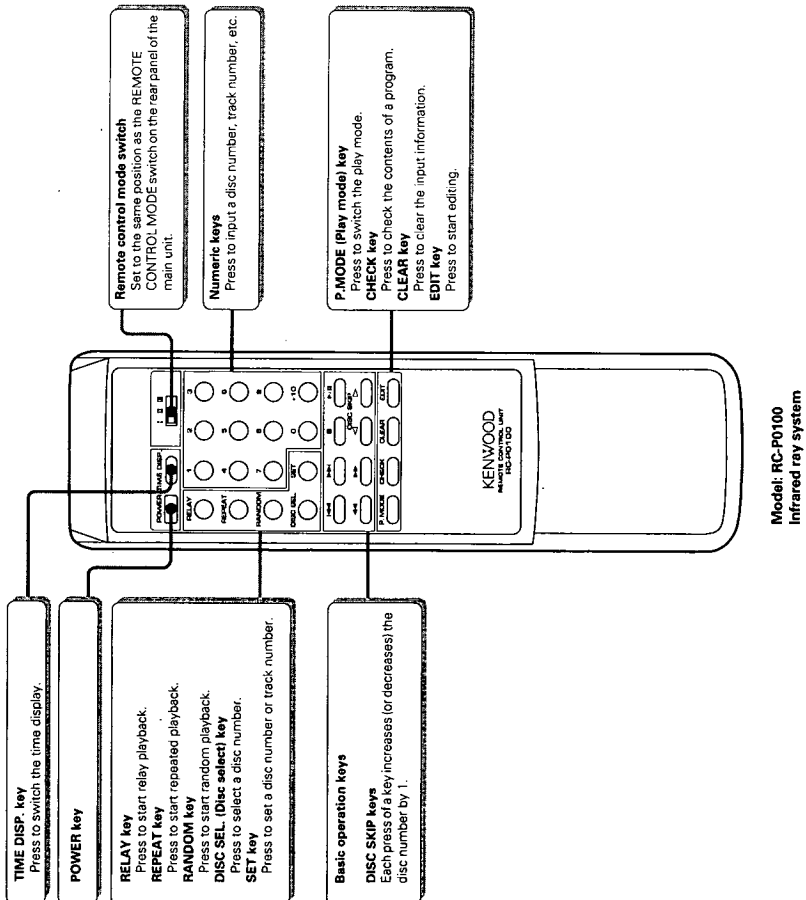
- ① **POWER key**
- ② **Remote sensor**
- ③ **Search keys (◀▶▶▶)**
Press to move the played position of disc at high speed.
- ④ **Skip keys (◀▶▶▶)**
Press to skip to the beginning of another track.
- ⑤ **DISC SKIP key**
Press to select discs.
- ⑥ **Stop key (■)**
- ⑦ **OPEN (▲) key**
Press to open the door panel.
- ⑧ **Play/pause key (▶/||)**
- ⑨ **KEYBOARD connector (DP-J2070 only)**
For use in character input operation, an IBM-compatible PC keyboard can be connected here.
- ⑩ **Disc RACK A**
- ⑪ **Disc RACK A lock button**
Push and hold to slide out disc rack A.
- ⑫ **Selected disc indicator**
The LED corresponding to the current selected disc lights.
- ⑬ **Disc RACK B**
- ⑭ **Disc RACK B lock button**
Push and hold to slide out disc rack B.
- ⑮ **Door panel**

REMOTE CONTROL OPERATION

DP-J2070



DP-J695/J1070



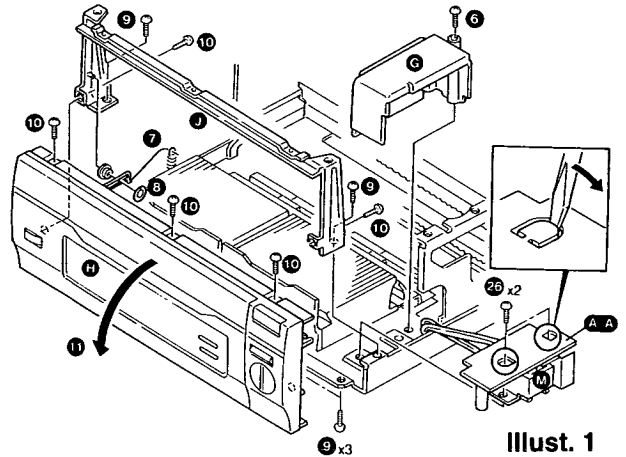
DP-J695/J1070/J2070

DISASSEMBLY FOR REPAIR

1. How to remove the Power transformer

Illust. 1

1. Remove the one screw (6) to remove the Insulating cover (G).
2. Open the two holes on the Transformer PCB (X32- F/9) (AA) by using a flatblade screwdriver, etc., as illustrated in the drawing.
3. Remove the two screws (26) to remove the Transformer (M) from the Main chassis.

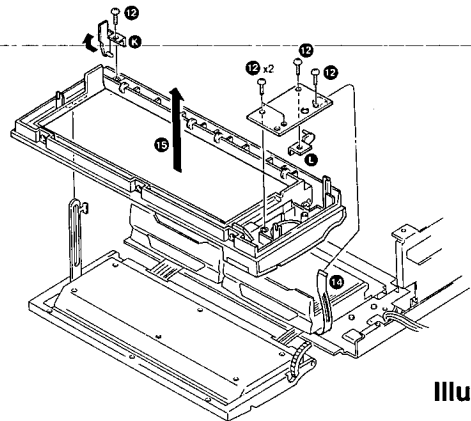


Illust. 1

2. How to remove the Front panel and the Display PCB (X32- C/9)

Illust. 1

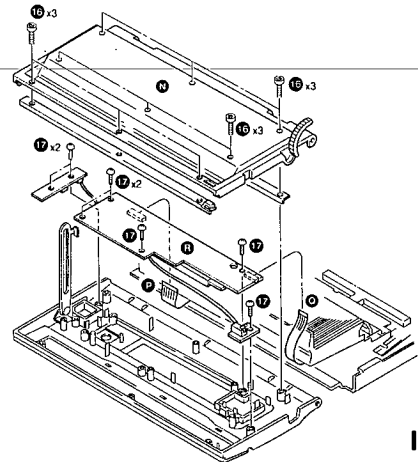
1. Remove the Spring (7) and the Flat washer (8).
2. Remove the five screws (9) to remove the Front panel ass'y (H).
3. Remove the five screws (10) to remove the Frame (J) from the Front panel.
4. Lay out the removed the Front panel as shown above (11). (Take care not to damage the Flat cable.)



Illust. 2

Illust. 2

5. Remove the five screws (12), the Pin L (K) and the Pin R (L).
6. Remove the Flat cable (9p) (14) to remove the Sub panel (15).



Illust. 3

Illust. 3

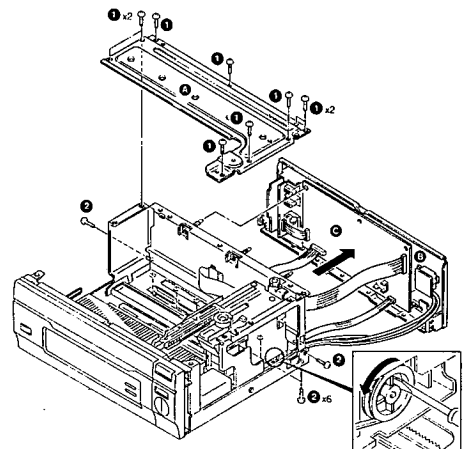
7. Remove the nine screws (16) to remove the Front cover (N).
8. Remove the seven screws (17) and the two Flat cables (21p) (P) / (9p)(Q) to remove the Display PCB (X32- C/9) (R).

3. How to remove the Mechanism ass'y

- * Prior to the work, move the Mechanism ass'y to the far right position (Home position) by turning the Pulley (AB) in the direction of the arrow in the drawing.

Illust. 4

1. Remove the nine screws (1) to remove the Sub chassis (Top) (A).
2. Remove the eight screws (2) to remove the Rear panel (B) and CD Player unit (X32-205) (C).



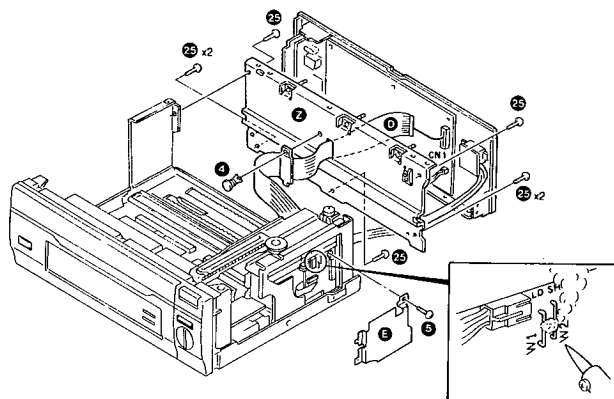
Illust. 4

DP-J695/J1070/J2070

DISASSEMBLY FOR REPAIR

Illust. 5

3. Remove the seven screws (25) to remove the Sub chassis (Rear) (Z).
4. Remove the one screw (5) to remove the Cover (E).
5. Short the W1 and W2 on the Mechanism PCB.
6. Remove the Push-revet (4) and the Flat cable (31p) (D) from CN1 on the CD Player unit (X32- A/9).

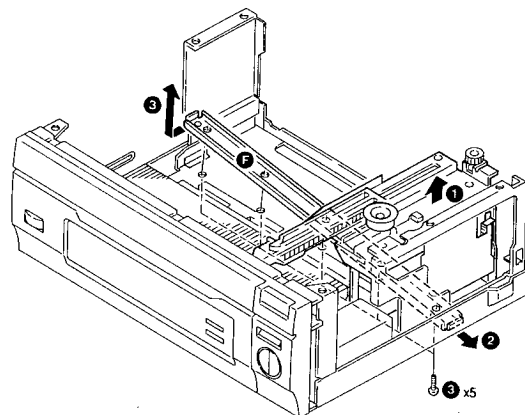


Illust. 5

Illust. 6

7. Remove the five screws (3).
8. Raise the Mechanism ass'y in the direction (1) in the drawing together with the Rail (F).
9. As moving the Rail (F) to the right side (direction (2)), raise it upward (direction (3)).
10. Remove the Mechanism ass'y as pulling the Mechanism ass'y to the left side together with the Rail (F).

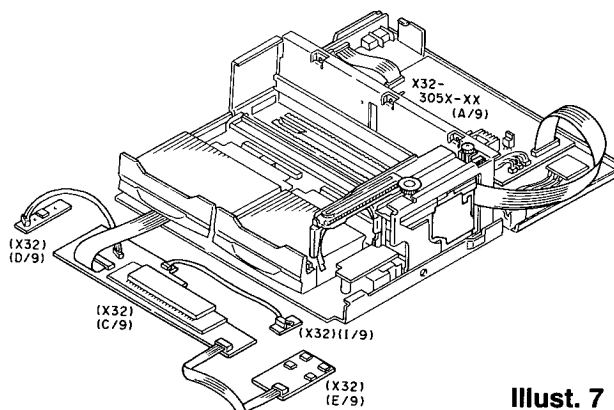
* It will be easier for you to work with it if you open the Door Panel and pull out the Stockers A and B in advance.



Illust. 6

Illust. 7

11. Lay out the removed the Mechanism ass'y, Rear panel and X32- PCB as shown below. Apply power to check or repair.



Illust. 7

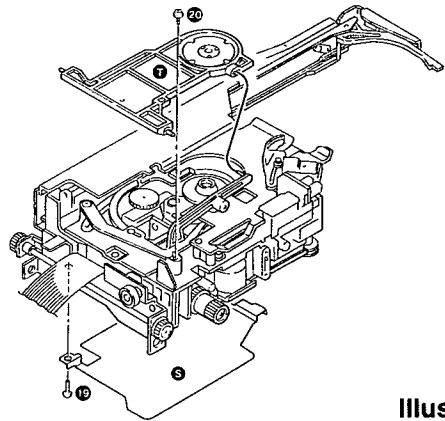
DP-J695/J1070/J2070

DISASSEMBLY FOR REPAIR

4. How to remove the Pickup

Illust. 8

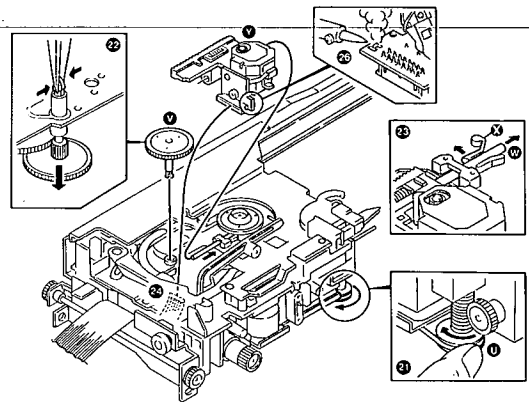
1. Remove the one screw (19) to remove the PCB Cover (S).
2. Remove the one screw (20) to remove the Sub chassis (Clamp) (T).



Illust. 8

Illust. 9

3. Turn the Pulley (U) in the direction of the arrow in the drawing so that the Pickup ass'y will reach the highest position.
4. While pushing the lock part of the Gear (V) with a tweezers, etc., remove the Gear (22).
5. Remove the Rod (W) and the Stopper (X), and pull the Rod until the Rod stops. (23)
6. Short the short-land on the Pickup PCB (26).
7. Remove the Flat cable (16P) (24) to remove the Pickup ass'y (Y).

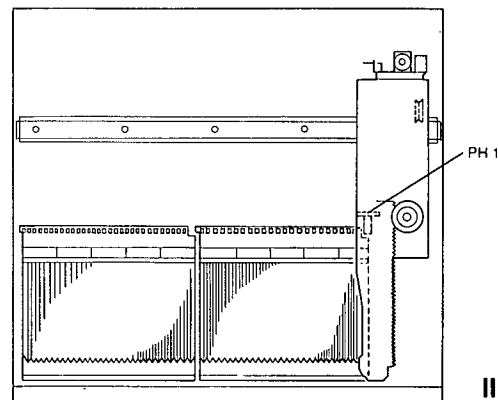


Illust. 9

5. How to adjust the Gear when the Mechanism is installed to the main unit

Illust. 10

1. The Mechanism ass'y can be installed only the position of the PH1 is 50-disc (center) or 100-disc (right side of the Stocker B).

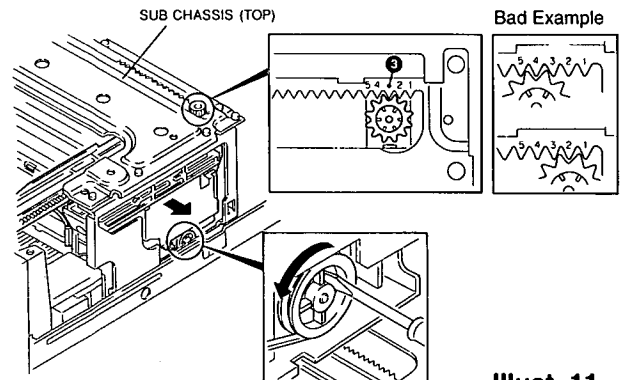


Illust. 10

Illust. 11

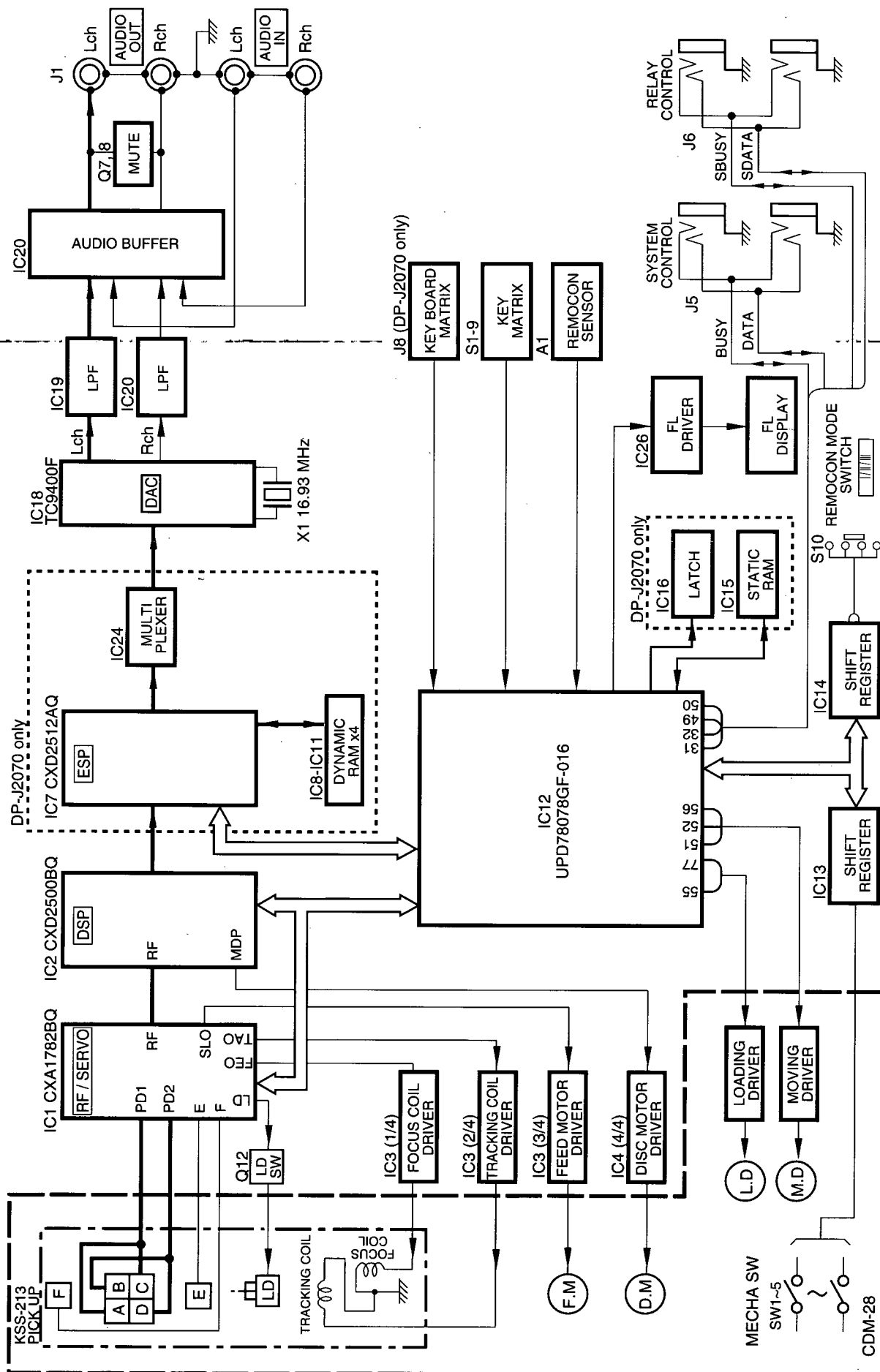
2. Turn the Pulley in the direction of the arrow in the drawing to the far-right position.
3. Attach the Sub chassis (Top) so that the third protrusion from the right end of the Sub chassis (Top) (#3 in the drawing) will be in mesh with the Gear as shown in the drawing. The position of the gear's rib is not relevant here.

Bad Example: The mesh of the underlying gear will be dislocated.



Illust. 11

BLOCK DIAGRAM



DP-J695/J1070/J2070

CIRCUIT DESCRIPTION

1. Test mode

1-1 MODE "01" : Adjustment

Step	Key name	Description	Display
1	FF key(▶▶)+AC	SET THE TEST MODE	-- 01
2	PLAY(▶)	DISC100 LOADING (1) Focus Servo.....ON (2) Tracking Servo.....ON (3) Feed ServoON	1 0 0 5
3	DOWN(◀◀)	DISC100 LOADING (1) Focus Servo.....ON (2) Tracking Servo.....OFF (3) Feed Servo.....OFF	1 0 0 3
4	STOP(■)	STOP	-- 00
5	UP(▶▶)	Display goes on ↑ ↓ Display goes off	

※ "STEP 1: FF key+AC" means to press POWER key as you press the ▶▶ key.

※ At STEP 2 and STEP 3, set a disc to "DISC No. 100" in advance so that "DISC #100" will be loaded.

※ When STEP 3 is executed before STEP 2, the time will not be displayed at STEP 2, but this is not a malfunction.

1-2 MODE "99": used to check actual operation

Step	Key name	Description	Display
1	STOP key(■)+AC	(1) All the file contents shall be cleared (2) Return MD to Home position	

※ If the MODE "99" is set, the TEST MODE will be automatically released.

1-3 MODE "10": Mechanism Function Check #1: Continuous Disc Change

Step	Key name	Description	Display
1.	"→" Key+AC	Enter into the TEST MODE, and	
		Change to DISC #75 after DISC #100 is loaded	1 0 0 10
		Change to DISC #51 after DISC #75 is loaded	7 5 10
		Change to DISC #50 after DISC #51 is loaded	5 1 10
		Change to DISC #25 after DISC #50 is loaded	5 0 10
		Change to DISC #1 after DISC #25 is loaded	2 5 10
		Return to Home position after DISC #1 is loaded	0 1 10

※ If the MODE "10" is set, the TEST MODE will be automatically released.

※ If there is no disc at the specified DISC NUMBER, it will be changed to the next DISC NUMBER.

※ If there is anything wrong with the mechanism, the MD will stop automatically.

1-4 MODE "11": Mechanism Function Check #2: Continuous Disc Change

Step	Key name	Description	Display
1.	"→" Key+AC	Enter into the TEST MODE, and	
		Change to DISC #25 after DISC #1 is loaded	0 1 11
		Change to DISC #50 after DISC #25 is loaded	2 5 11
		Change to DISC #51 after DISC #50 is loaded	5 0 11
		Change to DISC #75 after DISC #51 is loaded	5 1 11
		Change to DISC #100 after DISC #75 is loaded	7 5 11
		Return to Home position after DISC #100 is loaded	1 0 0 11

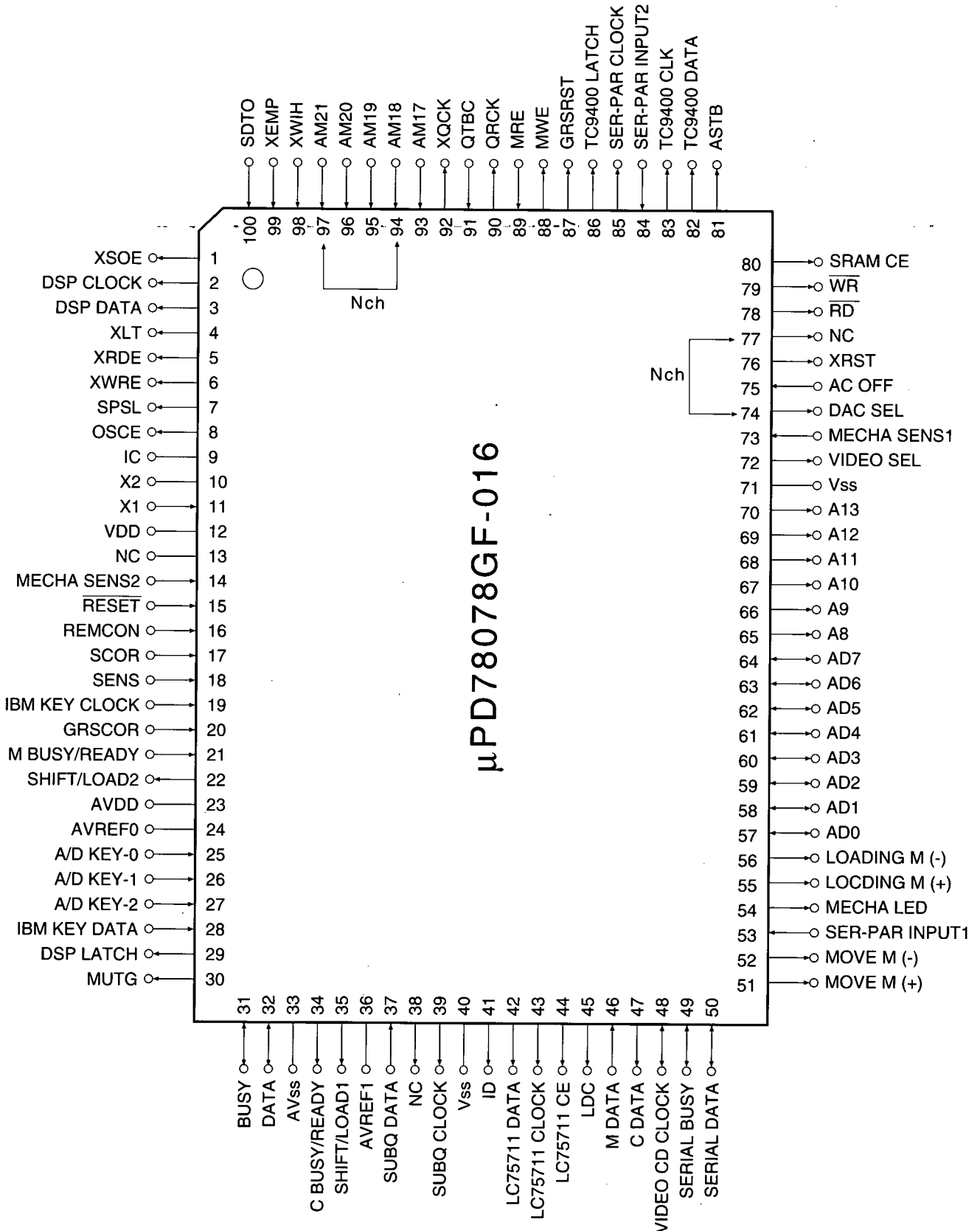
※ If the MODE "11" is set, the TEST MODE will be automatically released.

※ If there is anything wrong with the mechanism, the MD will stop automatically.

CIRCUIT DESCRIPTION

2. Microprocessor : μ PD78078GF-016 (X32-A/9,IC12)

2-1 Pin layout



DP-J695/J1070/J2070

CIRCUIT DESCRIPTION

2-2 Pin description

No.	Name	I/O	Description
1	XSOE	O	CXD2512AQ data transfer request
2	DSP CLOCK	O	CXD2500/CXD2512AQ CLOCK
3	DSP DATA	O	CXD2500/CXD2512AQ DATA
4	XLT	O	CXD2512AQ LATCH
5	XRDE	O	CXD2512AQ DRAM read enable signal
6	XWRE	O	CXD2512AQ DRAM write enable signal
7	SPSL	O	CXD2512AQ serial/parallel switch (L : parallel)
8	OSCE	O	CXD2512AQ crystal enable signal (H : enable)
9	IC	-	Connected to VSS
10	X2	-	Main system clock
11	X1	I	Main system clock
12	VDD	-	Power supply
13	NC	-	Not used
14	MECHA SENS2	I	Disc in/out detection
15	RESET	I	System reset
16	REMCON	I	Remote control signal input
17	SCOR	I	CXD2500 sub code synchro detection
18	SENS	I	CXA1372 SENSE signal input
19	IBM KEY CLOCK	I	IBM P/C keyboard clock input
20	GRSCOR	I	CXD2512AQ GRSCOR
21	M BUSY/READY	I	Not used
22	SHIFT/LOAD2	O	TC74HC165AF(IC14) LATCH
23	AVDD	-	A/D analog power supply (Connected to VDD)
24	AVREF0	-	A/D reference power supply (Connected to VDD)
25	A/D KEY-0	I	A/D key (CH0)
26	A/D KEY-1	I	A/D key (CH1)
27	A/D KEY-2	I	A/D key (CH2)
28	IBM KEY DATA	I	IBM P/C keyboard data input
29	DSP LATCH	O	CXD2500 LATCH
30	MUTG	O	CXD2500 digital mute (H : mute)
31	BUSY	I/O	Busy signal I/O
32	DATA	I/O	DATA signal I/O
33	AVss	-	A/D GND (Connected to Vss)
34	C BUSY/READY	O	Not used
35	SHIFT/LOAD1	O	TC74HG165AF(IC13) LATCH
36	AVREF1	-	D/A reference power supply (Connected to VDD)
37	SUBQ DATA	I	CXD2500 sub code read
38	NC	O	Not used
39	SUBQ CLOCK	O	CXD2500 sub code read clock
40	VSS	-	GND

DP-J695/J1070/J2070

CIRCUIT DESCRIPTION

No.	Name	I/O	Description
41	ID	I	Model detection (H : DP-J2070, L : DP-J695/J1070)
42	LC75711 DATA	O	LC75711E DATA
43	LC75711 CLOCK	O	LC75711E CLOCK
44	LC75711 CE	O	LC75711E CHIP ENABLE
45	LDC	O	Laser ON/OFF (active low)
46	M DATA	I	Not used
47	C DATA	O	Not used
48	VIDEO CD CLOCK	I/O	Not used
49	SERIAL BUSY	I/O	Serial BUSY signal I/O
50	SERIAL DATA	I/O	Serial DATA signal I/O
51	MOVE M (+)	O	Motor moving output
52	MOVE M (-)	O	Motor moving output
53	SER-PAR INPUT1	I	TC74HC165AF (IC13) DATA
54	MECHA LED	O	Mechanism LED on/off (H : ON, L : OFF)
55	LOADING M (+)	O	Motor moving output
56	LOADING M (-)	O	Motor moving output
57	AD0	I/O	SRAM I/F
58	AD1	I/O	SRAM I/F
59	AD2	I/O	SRAM I/F
60	AD3	I/O	SRAM I/F
61	AD4	I/O	SRAM I/F
62	AD5	I/O	SRAM I/F
63	AD6	I/O	SRAM I/F
64	AD7	I/O	SRAM I/F
65	A8	O	SRAM I/F
66	A9	O	SRAM I/F
67	A10	O	SRAM I/F
68	A11	O	SRAM I/F
69	A12	O	SRAM I/F
70	A13	O	SRAM I/F
71	VSS	-	GND
72	VIDEO SEL	O	Video-out switch
73	MECHA SENS1	I	Disc address count pulse
74	DAC SEL	O	DAC input signal (H : Video CD, L : CD)
75	AC OFF	I	AC OFF detection (L : detected)
76	XRST	O	CXD2512AQ reset
77	NC	O	Not used
78	\overline{RD}	O	SRAM I/F
79	\overline{WR}	O	SRAM I/F
80	SRAM CE	O	SRAM chip enable

DP-J695/J1070/J2070

CIRCUIT DESCRIPTION

No.	Name	I/O	Description
81	ASTB	O	SRAM I/F
82	TC9400 DATA	O	TC9400 DATA
83	TC9400 CLK	O	TC9400 CLOCK
84	SER-PAR INPUT2	I	TC74HC165AF(IC14) DATA
85	SER-PAR CLOCK	O	TC74HC165AF(IC13,14) CLOCK
86	TC9400 LATCH	O	TC9400 LATCH
87	GRSRST	O	CXD2512AQ GRSRST
88	MWE	O	CXD2512AQ time information writing enable signal
89	MRE	I	CXD2512AQ time information reading enable signal
90	QRCK	O	CXD2512AQ time information reading clock
91	QTBC	I	CXD2512AQ time information
92	XQOK	O	CXD2512AQ sub code OK output
93	AM17	I	CXD2512AQ address monitor 17
94	AM18	I	CXD2512AQ address monitor 18
95	AM19	I	CXD2512AQ address monitor 19
96	AM20	I	CXD2512AQ address monitor 20
97	AM21	I	CXD2512AQ address monitor 21
98	XWIH	I	CXD2512AQ DRAM writing prohibition signal
99	XEMP	I	CXD2512AQ DRAM reading prohibition signal
100	SDTO	I	CXD2512AQ serial data output

CIRCUIT DESCRIPTION

2-3 Expander I/O pin description

TC74HC165AF (X32-A/9,IC13)

No.	Name	Description
1	SHIFT/LOAD1	Latch input
2	SER-PAR CLOCK	Serial clock
3	ARM CLAMP	Mechanism arm clamp SW (active low)
4	ARM H.P	Mechanism arm home-position SW (active low)
5	NC	Not used
6	SLT SW	Start limit SW (active low)
7	NC	Not used
8	GND	GND
9	SER-PAR OUT	Serial data output
10	GND	GND
11	MD H.P SW	Mechanism home-position SW (active low)
12	STOC A	Mechanism stocker A SW (active low)
13	STOC B	Mechanism stocker B SW (active low)
14	DOOR SW	Door close SW (active low)
15	GND	GND
16	VCC	Power supply

TC74HC165AF (X32-A/9,IC14)

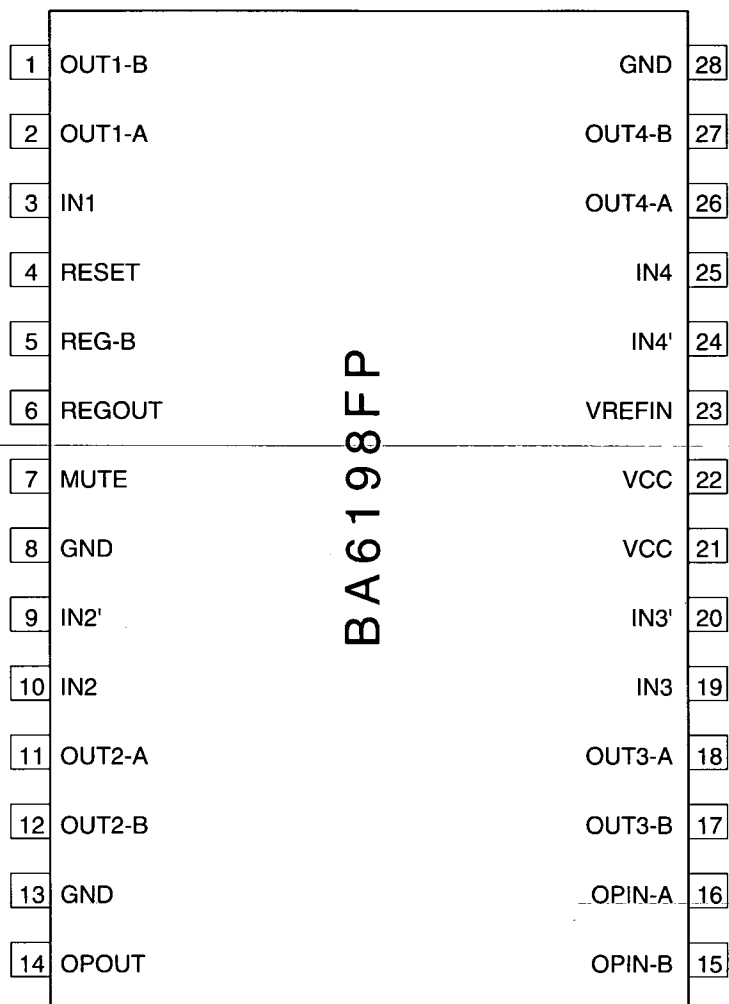
No.	Name	Description
1	SHIFT/LOAD2	Latch input
2	SER-PAR CLOCK	Serial clock
3	GFS	CXD2500 GFS
4	FOK	CXA1372 FOK
5	NORMAL ON	Normal/continuous SW (H : Normal)
6	NC	Not used (Connected to VSS)
7	NC	Not used
8	GND	GND
9	SER-PAR OUT	Serial data output
10	GND	GND
11	8/16 BIT	8/16 bit switch (H : 16 bit L : 8 bit)
12	VIDEO CD IN	Video CD adaptor in/out (H=Video CD ADP.IN)
13	SLIDE SW0	Remote control mode SW (No.1 = H /No.2 = H/No.3 = L)
14	SLIDE SW1	Remote control mode SW (No.1 = L /No.2 = H/No.3 = H)
15	GND	GND
16	VCC	Power supply

DP-J695/J1070/J2070

CIRCUIT DESCRIPTION

3. BTL Driver : BA6198FP (X32- A/9, IC3)

3-1 Pin layout



3-2 Pin description

No.	Name	Description	No.	Name	Description
1	OUT1-B	CH1 negative output terminal	15	OPIN-B	OP. amp. (-) input terminal
2	OUT1-A	CH1 positive output terminal	16	OPIN-A	OP. amp. (+) input terminal
3	IN1	CH1 gain-adjustment input terminal	17	OUT3-B	CH3 negative output terminal
4	RESET	Reset output terminal	18	OUT3-A	CH3 positive output terminal
5	REG-B	External regulator Tr. base connecting terminal	19	IN3	CH3 input terminal
6	REGOUT	External regulator Tr. collector connecting terminal (output)	20	IN3'	CH3 gain-adjustment input terminal
7	MUTE	Mute control terminal	21	VCC	VCC
8	GND	GND terminal	22	VCC	VCC
9	IN2'	CH2 gain-adjustment input terminal	23	VREFIN	Reference amp. input terminal (bias)
10	IN2	CH2 input terminal	24	IN4'	CH4 gain-adjustment input terminal
11	OUT2-A	CH2 positive output terminal	25	IN4	CH4 input terminal
12	OUT2-B	CH2 negative output terminal	26	OUT4-A	CH4 positive output terminal
13	GND	Sub straight GND	27	OUT4-B	CH4 negative output terminal
14	OPOUT	OP. amp. output	28	GND	Sub straight GND

Note: The positive output and the negative output mean the polarity for the input.

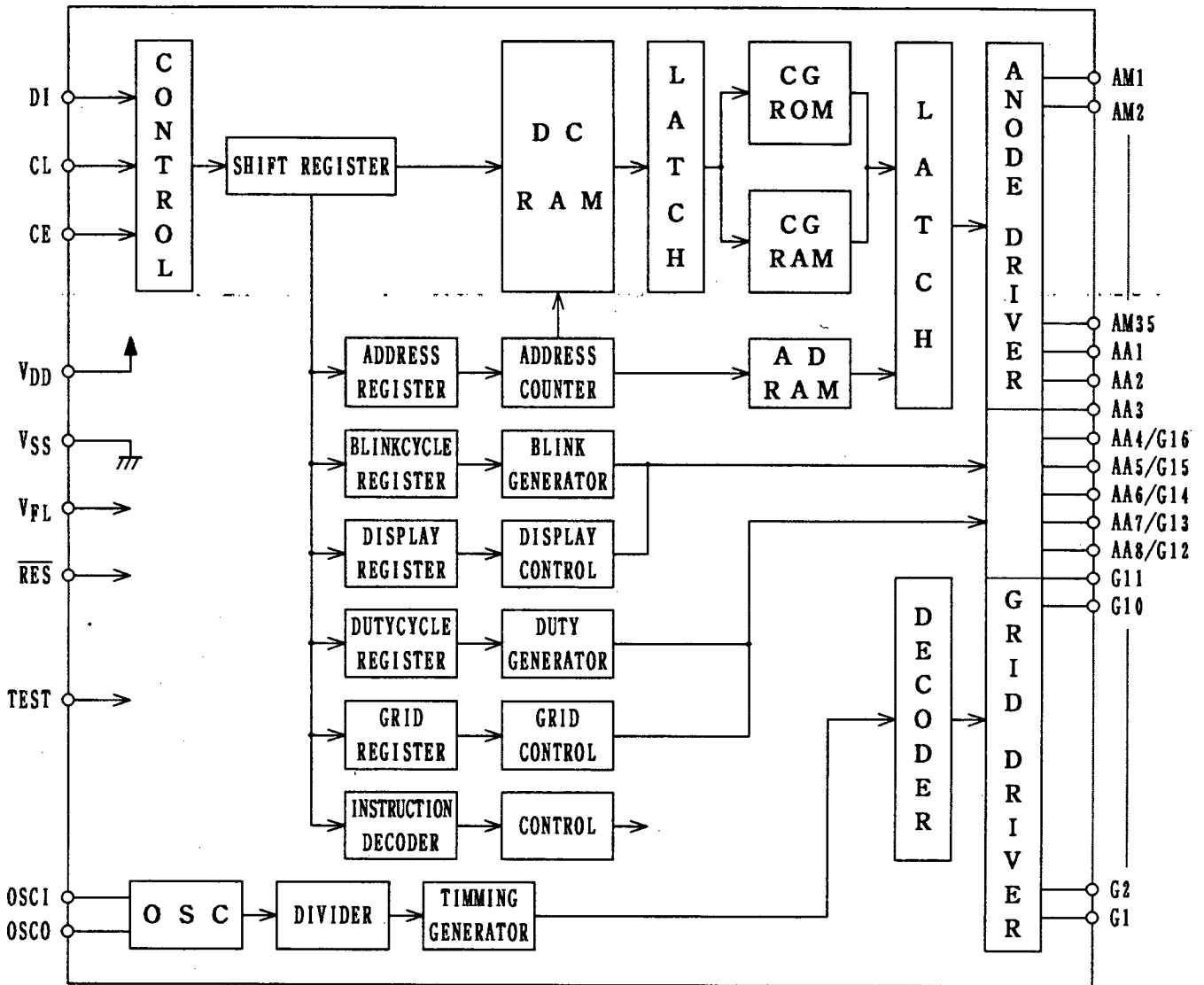
(Input "H" → positive output : "H", negative output : "L")

DP-J695/J1070/J2070

CIRCUIT DESCRIPTION

4. FL Controller : LC75711E(X32- C/9,IC26)

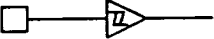
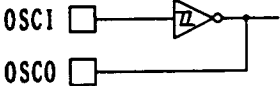
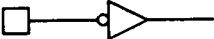
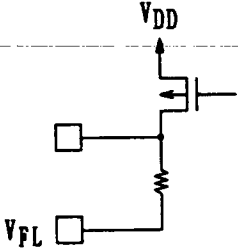
4.1 Block diagram



DP-J695/J1070/J2070

CIRCUIT DESCRIPTION

4-2 Pin description

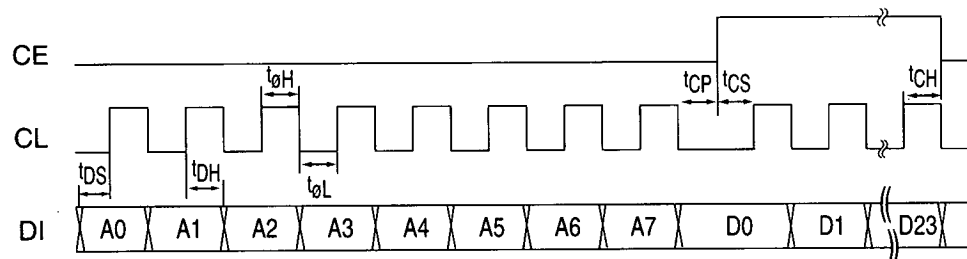
Name	Q'ty	Terminal type	Description
VDD	1		Logic part power terminal, +5 V type.
VSS	1		Logic part power terminal, GND
VFL	1		Driver part power terminal
DI	1		Serial data transfer terminal
CL	1		DI: Transfer data
CE	1		CL: Synchronous clock CE: Chip enable
OSCI	1		External oscillator connecting terminal : C and R
OSCO	1		
$\overline{\text{RES}}$	1		System reset input terminal
AM1-AM35 AA1-AA3	38		Anode output terminal; A pull-down resistor incorporated
AA4/G16 AAS/G15 AA6/G14 AA7/G13 AA8/G12	5		Anode/grid output terminal If the 12th to 16th digits are selected as a displayed digit by the "displayed digit specify" command, these terminals will be grid output terminals. A pull-down resistor incorporated
G1~G11	11		Grid output terminal A pull-down resistor incorporated
TEST	1		LSI test terminal Be sure to use it as it is connected to vss.

4-3 Data input

The control serial data consists of 8 bits of address and 24 bits of instruction code. The address is used For chip select when it is connected to the common bus line, which has the following codes:

Address							
A0	A1	A2	A3	A4	A5	A6	A7
1	1	1	0	0	1	1	0

4-4 Timing of DI, CL, and CE



The data will be incorporated at the rising of CL and will be latched at the falling of CE. If the instruction is to be sent from the microprocessor, it is necessary to set an interval between an instruction and the following instruction to be sufficiently longer than the time required to execute the former instruction.

CIRCUIT DESCRIPTION

4-5 Character table

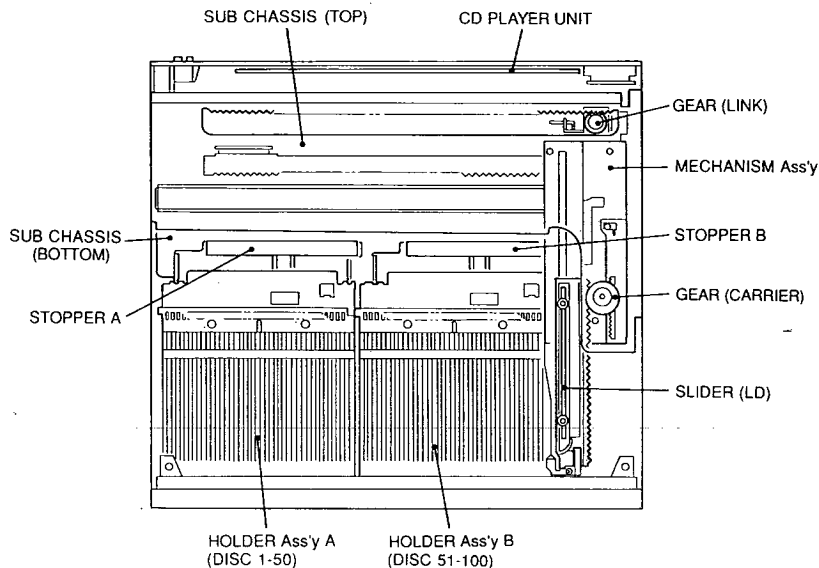
上位4 下位 4BIT	MSB 0000	0010	0011	0100	0101	0110	0111	1000	1001	1010	1011
0000 LSB	CG RAM(1)		0	@	P		p	á	â	ã	Ö
0001	(2)	!	1	A	Q	a	q	à	ä	α	Φ
0010	(3)	"	2	B	R	b	r	é	ê	Ö	ã
0011	(4)	#	3	C	S	c	s	è	ë	Å	â
0100	(5)	☒	4	D	T	d	t	í	î	Û	±
0101	(6)	%	5	E	U	e	u	ì	ï	ë	ì
0110	(7)	&	6	F	V	f	v	ó	ô	ñ	ñ
0111	(8)	'	7	G	W	g	w	ò	ö	Æ	æ
1000		(8	H	X	h	x	ú	û	π	μ
1001)	9	I	Y	i	y	ù	ü	Œ	¿
1010		*	:	J	Z	j	z	Ñ	ñ	£	+
1011		+	;	K	[k	{	Ç	ç	\$	œ
1100		,	<	L	\	l		Ş	ş	←	ø
1101		-	=	M]	m	}	ß	ÿ	↑	Ω
1110		.	>	N	^	n	-	ı	ı	→	Σ
1111		/	?	O	-	o	■	ı	Ä	↓	§

DP-J695/J1070/J2070

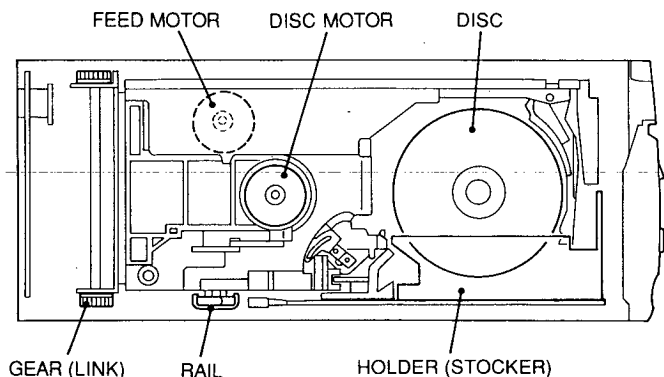
MECHANISM OPERATION DESCRIPTION

1. Description of the key parts

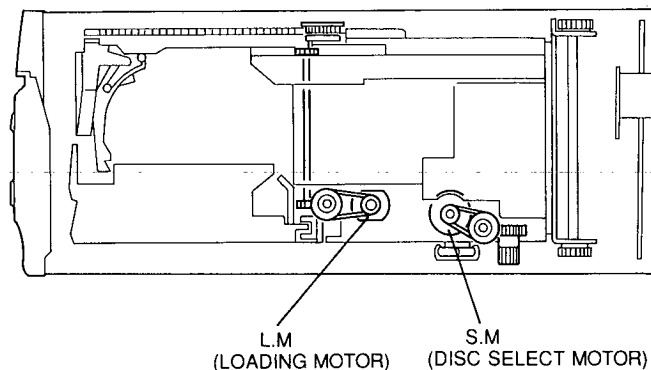
1-1. Top view



1-2. Left side view



1-3. Right side view



2. Mechanism switch

(a) Traverse unit Home position SW

.....Traverse unit Home position : SW ON

(b) Arm Clamp SW

.....Clamp ON : SW ON

(c) Arm Home position SW

.....Arm Home position : SW ON

(d) Door SW

.....Door close : SW ON

(e) Stoker A position SW

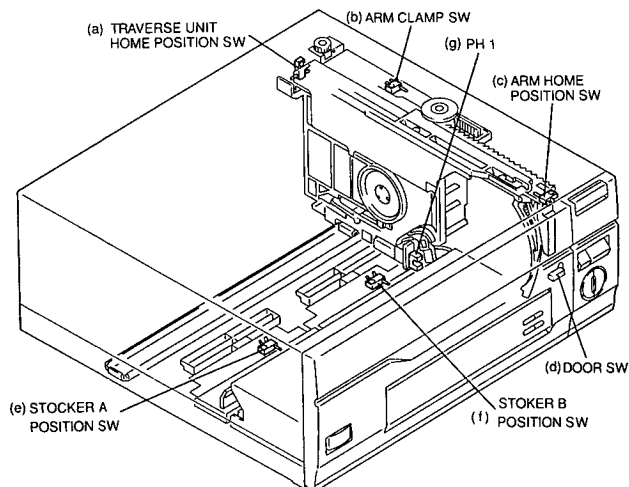
.....Stoker A in : SW ON

(f) Stoker B position SW

.....Stoker B in : SW ON

(g) PH1

.....Disc position detection



MECHANISM OPERATION DESCRIPTION

3. Operation of the Arm

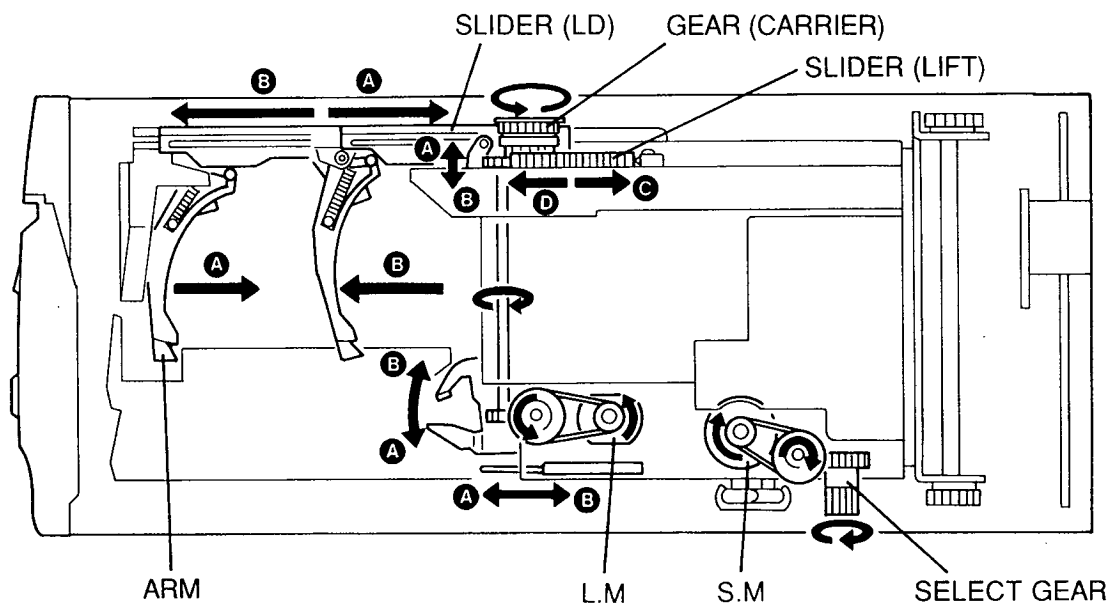
1. If the Loading Motor (LM) rotates in the direction of the arrow in the drawing, the Shaft will rotate, and the Carrier Gear will rotate in the direction of the arrow in the drawing.
2. If the Carrier Gear rotates in the direction of the arrow, the Slider (LD) will be withdrawn in the direction of (A), and the Arm will move in the direction of (A).

5. Disc select operation

1. If the Disc select Motor (SM) rotates in the direction of the arrow in the drawing, the Select Gear will rotate in the direction of the arrow in the drawing.
2. If the Select Gear rotates in the direction of the arrow in the drawing, the Mechanism ass'y will move to the left (to the side of Disc No. 1).
3. The PH1 (Photo Detector) will count the Disc Number.

4. Traverse unit (MD part) Up / Down

1. If the Slider (LD) is completely withdrawn in the direction of (A) and the LM keeps rotating in the same direction, the Slider (Lift) will be withdrawn in the direction of (C).
2. If the Slider (Lift) is withdrawn in the direction of (C), the Traverse unit will go up.
3. If the LM rotates in the reverse direction as shown in the drawing, the Traverse unit will go down.



* The arrows (A) and (B) in the drawing means the following :

- (a) If the LM rotates in the direction as shown in the drawing, it means the motion in the direction of the arrow (A); and
- (b) If the LM rotates in the reverse direction as shown in the drawing, it means the motion in the the direction of the arrow (B).

DP-J695/J1070/J2070

ADJUSTMENT

No.	ITEM	INPUT SETTING	OUTPUT SETTING	PLAYER SETTING	ALIGNMENT POINT	ALIGN FOR	FIG.
1. With pressing the FF key (▶▶), turn the power on to enter the test mode. 2. Set the Test disc to Disc NO. 100.							
1	FOCUS ERROR	Test disc Type 4	Connect an oscilloscope as follows. CH1:RF (CN2-1) CH2:FE (CN2-2)	Press the PLAY key . Confirm that the display is "05".	FE BALANCE VR3	Optimum eye pattern	(b) or (d)
2	TRACKING ERROR	Test disc Type 4	Connect an oscilloscope as follows. CH1:RF (CN2-1) CH2:TE (CN2-6)	Press the DOWN key (⏮). Confirm that the display is "03".	TE BALANCE VR4	Symmetry between upper and lower	(c)
3	FOCUS GAIN	Test disc Type 4 Apply signal of 1.0 kHz, 0.05Vrms to CN2 pin 2-3.	Connect a LPF to CN2 pin 2-3 to which connect an oscilloscope or AC voltmeters.	Press the PLAY key . Confirm that the display is "05".	FOCUS GAIN VR1	Two VTVMs should read the same value.	(e)
4	TRACKING GAIN	Test disc Type 4 Apply signal of 1.0 kHz, 0.05Vrms to CN2 pin 5-6.	Connect a LPF to CN2 pin 5-6 to which connect an oscilloscope or AC voltmeters.	Press the PLAY key . Confirm that the display is "05".	TRACKING GAIN VR2	Two VTVMs should read the same value.	(e)

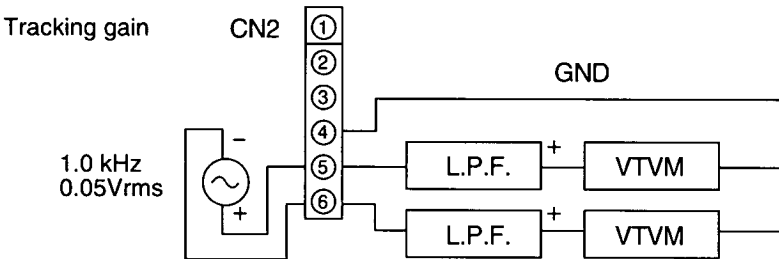
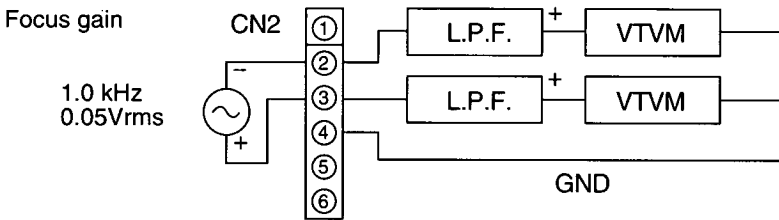
Note:

Type 4 disc :SONY YEDS-18 Test Disc or equivalent.

LPF : Around 47kΩ + 390 pF or so.

Step 1 ~ 4 are in Test Mode.

(e) Focus Gain, Tracking Gain



PC BOARD (COMPONENT SIDE VIEW)

CD player unit(X32-3050-XX)

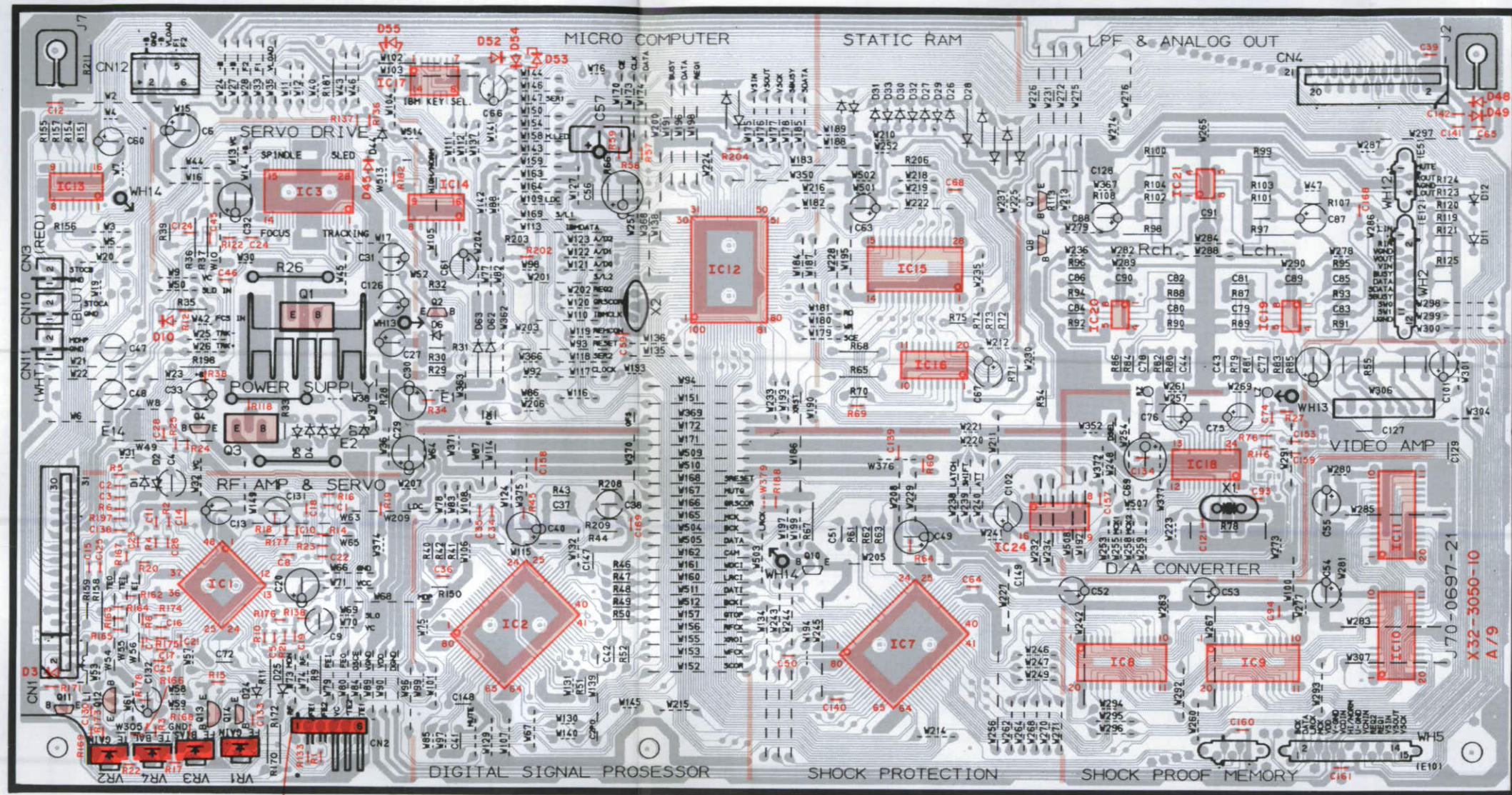
10 : DP-J2070 K,P,X,T,E,G

21 : DP-J2070 Y,M

11 : DP-J695/J1070 K,R,P,X

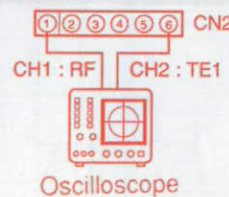
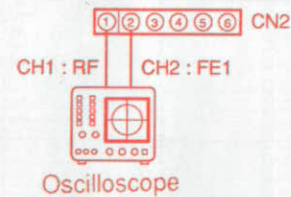
22 : DP-J695/J1070 Y,M

MECHANISM(X92-2050-10)



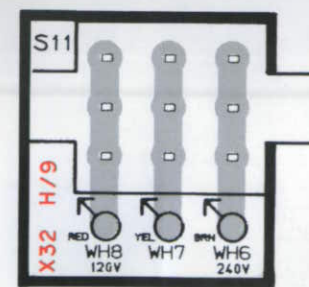
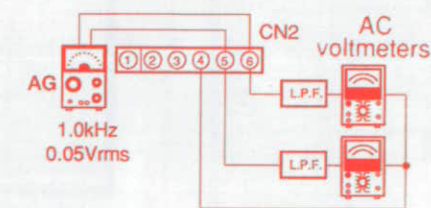
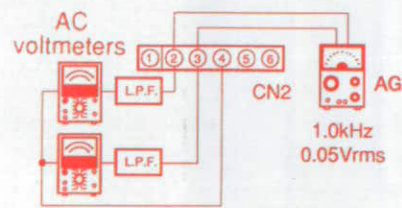
Focus error : Optimum eye pattern

Tracking error : Symmetry between upper and lower

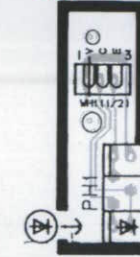


Focus gain : Two VTVMs should read the same value.

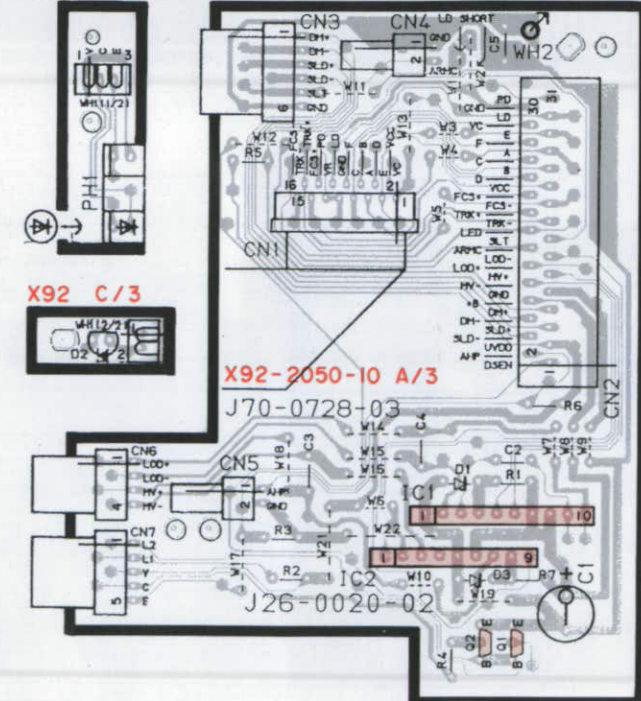
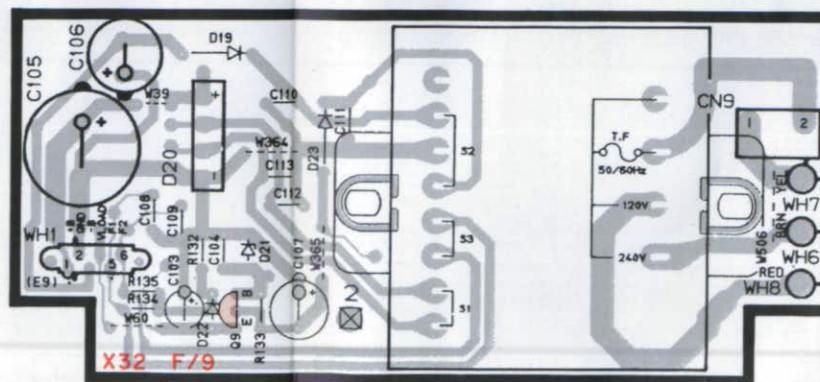
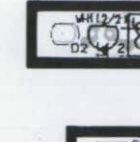
Tracking gain : Two VTVMs should read the same value.



X92 B/3



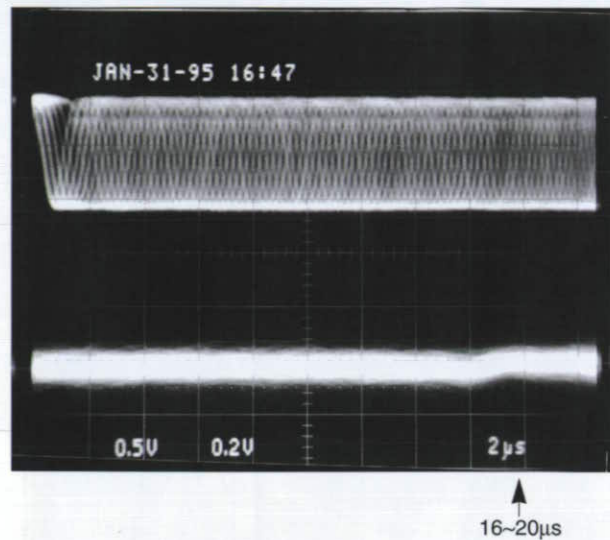
X92 C/3



DP-J695/J1070/J2070

ADJUSTMENT

FIG. (b)



- RF signal and TE signal in test mode (PLAY).
- If the diffraction grating has been adjusted correctly, the influence of triggering is observed on the TE waveform of approx. 16~20µs from RF signal trigger point, in the form of a projection.

CH1
RF signal

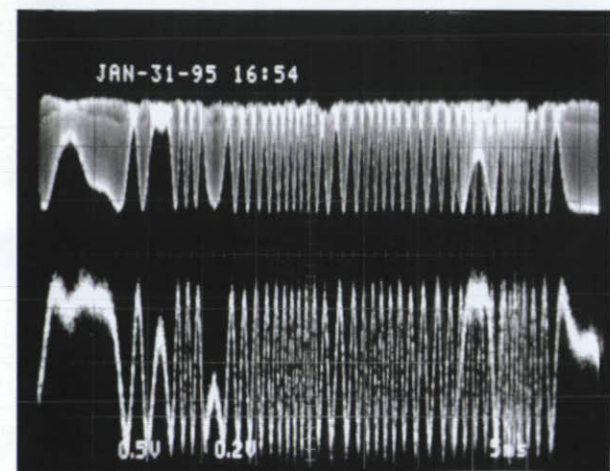
← VC : 2.5 V

CH2
TE signal

← VC : 2.5 V

16~20µs

FIG. (c)



- RF signal and TE signal in test mode (Focusing servo ON / Tracking servo OFF). (Disc Type 4)
- Adjust TE signal so that the waveform is symmetrical in relation to VC. (TE BALANCE)

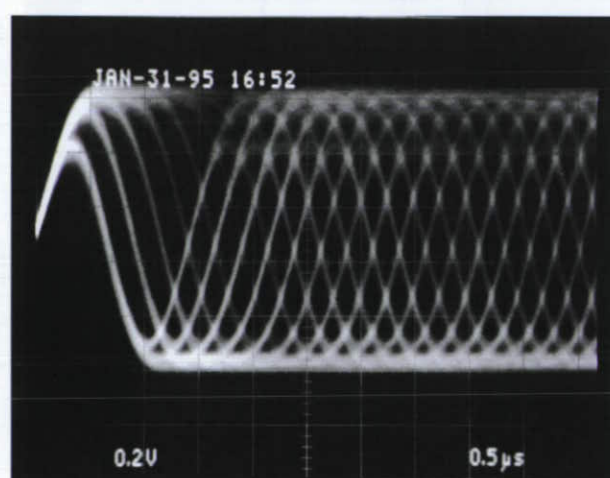
CH1
RF signal

← VC : 2.5 V

CH2
TE signal

← VC : 2.5 V

FIG. (d)

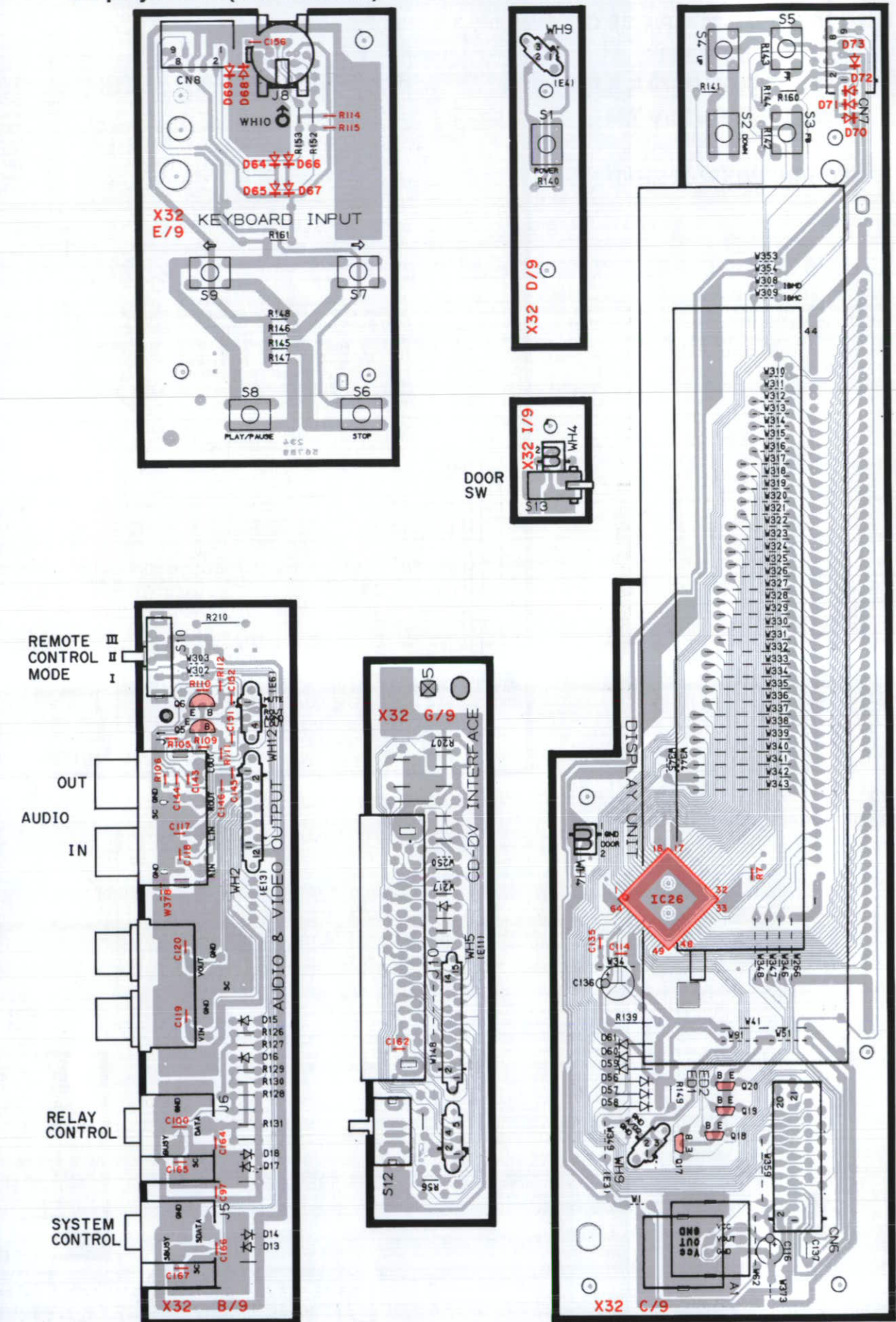


- RF signal in test mode (PLAY).
- Perform the tangential and focusing offset are focused into one point on the display. The crossing points above and below the center shall also be looked clearly. (FE BALANCE)

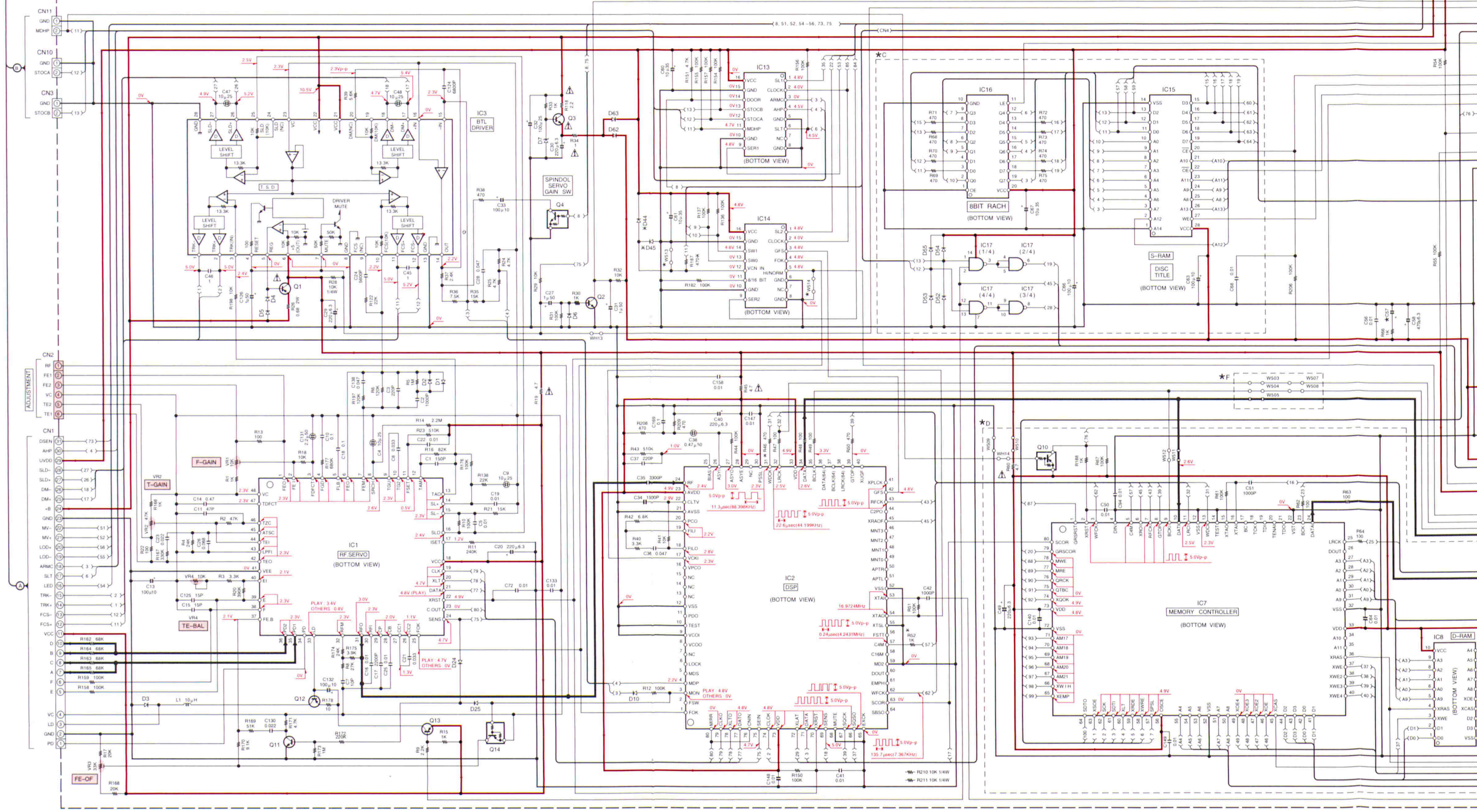
RF signal

PC BOARD (COMPONENT SIDE VIEW)

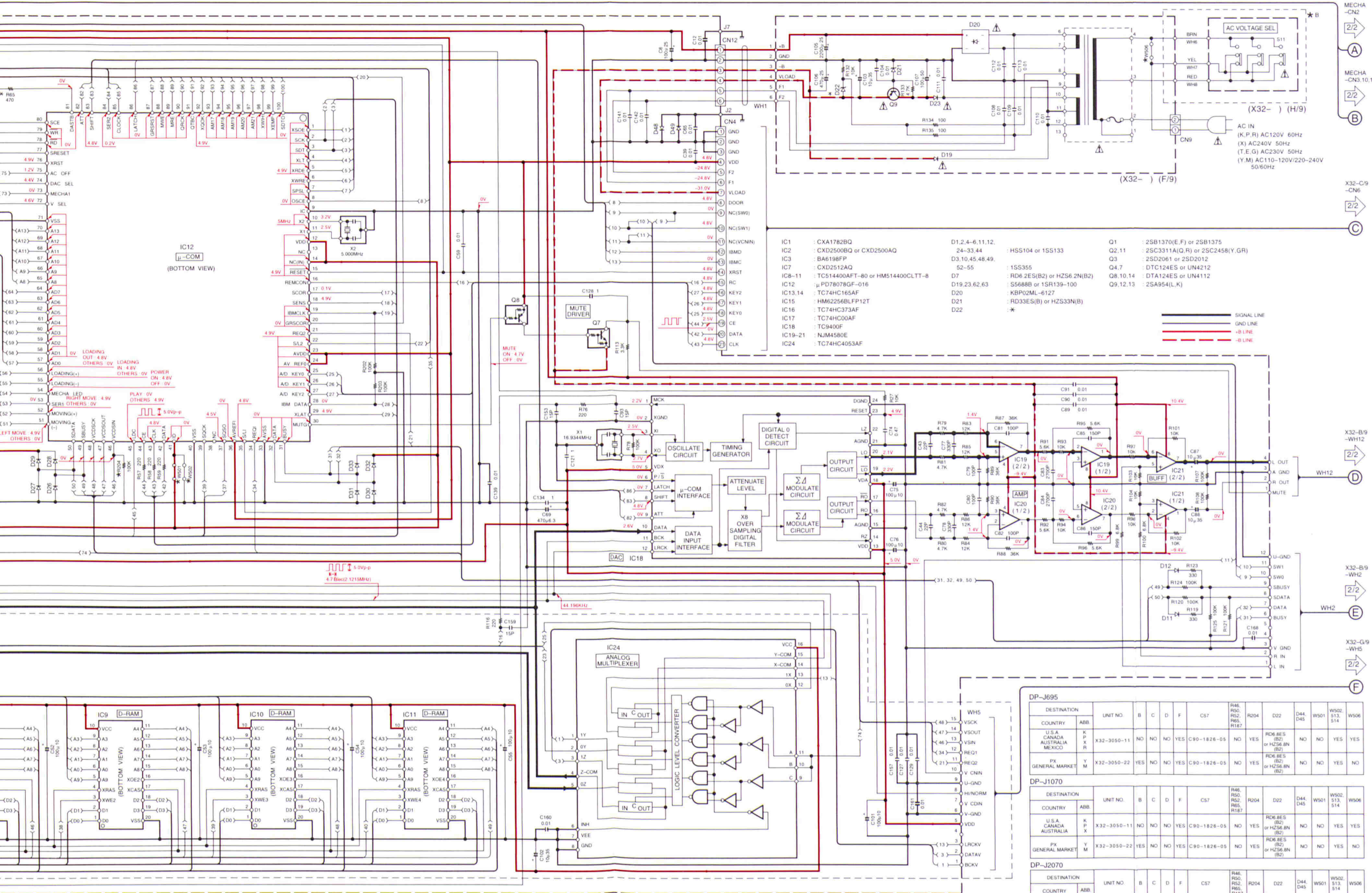
CD player unit (X32-3050-XX)



(X32-3050-XX) (A/9)



CAUTION: For continued safety, replace safety critical components only with manufacturer's recommended parts (refer to parts list). ⚠ indicates safety critical components. To reduce the risk of electric shock, leakage-current or resistance measurements shall be carried out (exposed parts are acceptably insulated from the supply circuit) before the appliance is returned to the customer.



MECHA-CN2 2/2
 MECHA-CN3,10,11 2/2
 X32-C9-CN6 2/2
 X32-B9-WH12 2/2
 X32-B9-WH2 2/2
 X32-G9-WH5 2/2

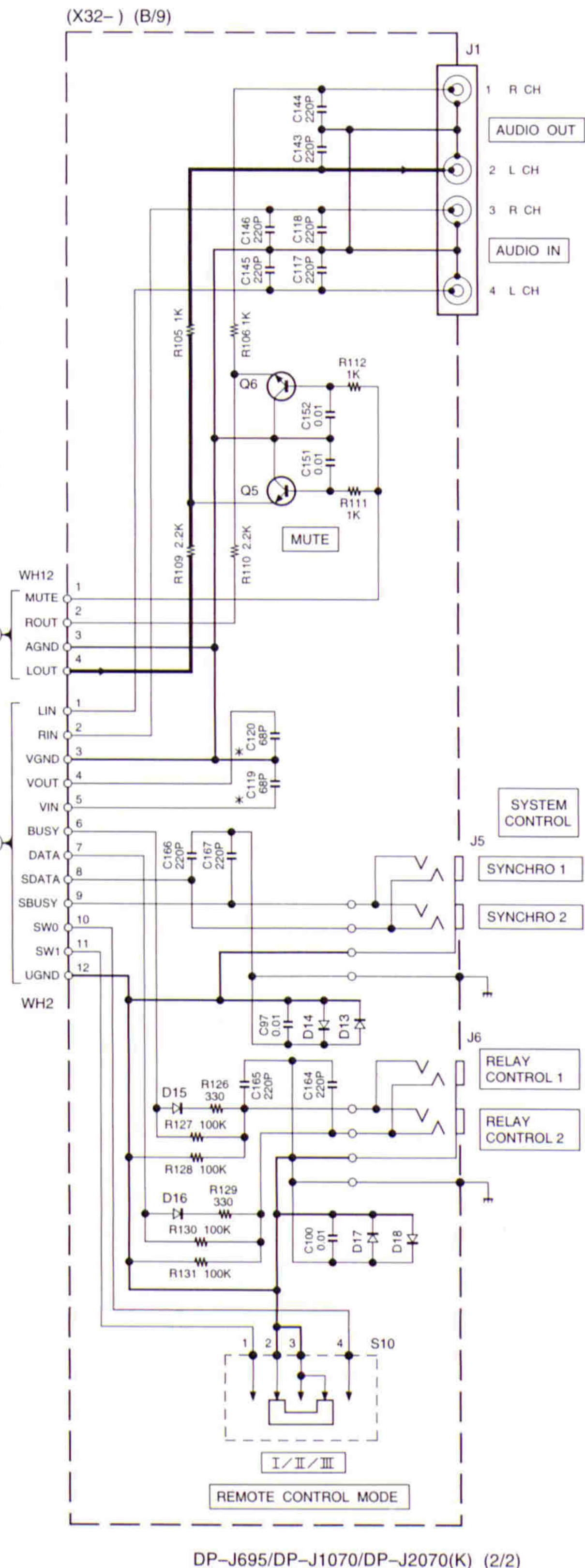
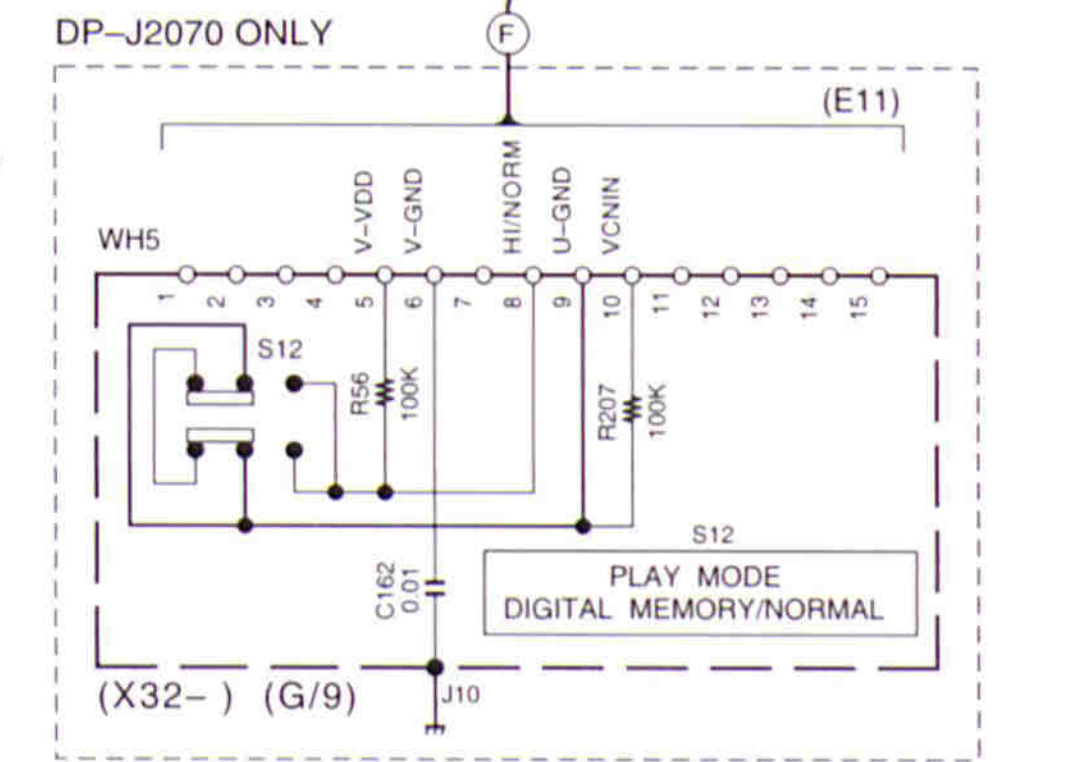
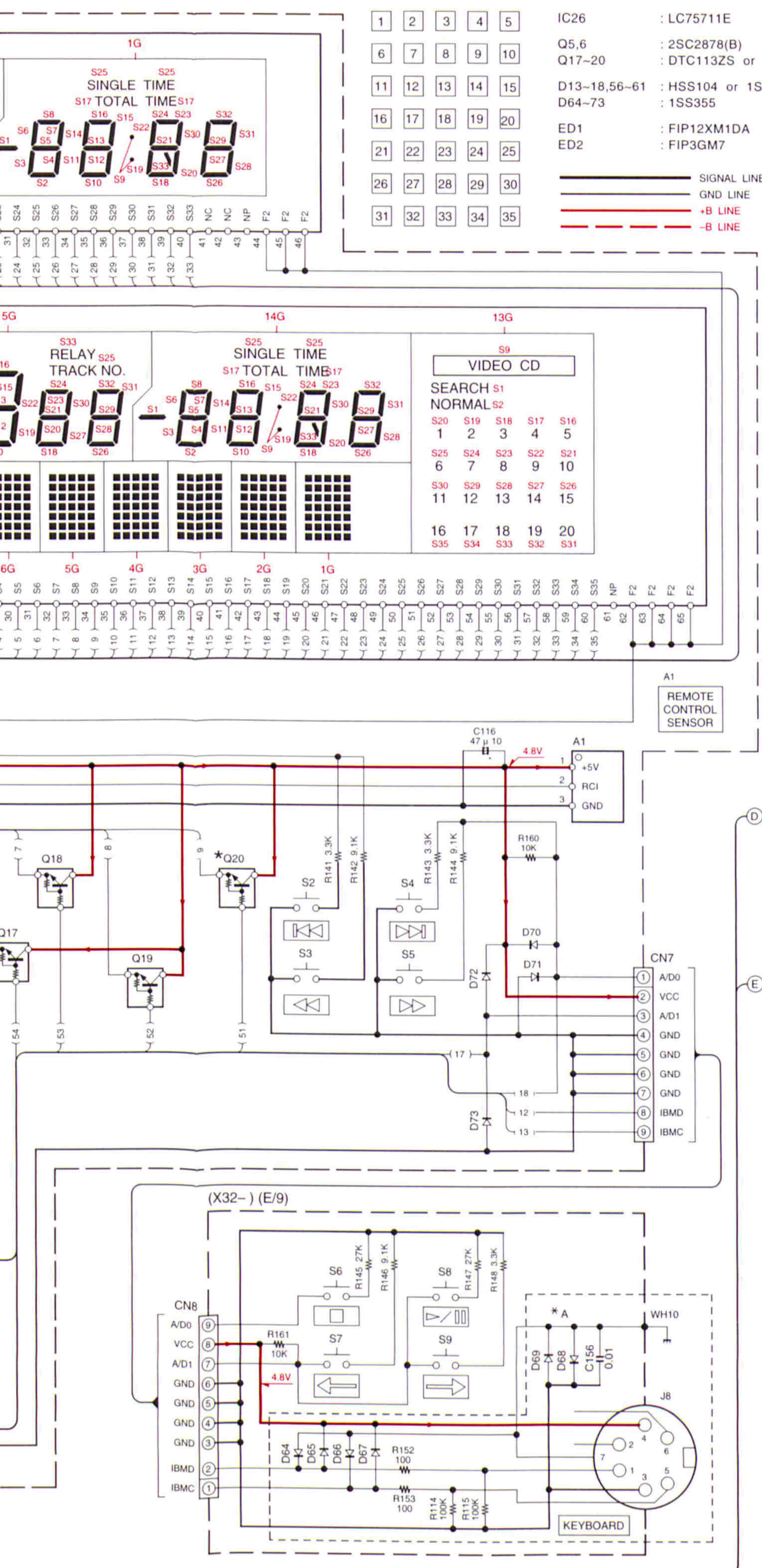
DP-J695/J1070/J2070 (K) (1/2)

● DC voltages are as measured with a high impedance voltmeter. Values may vary slightly due to variations between individual instruments or/and units.

DP-J695															
DESTINATION	COUNTRY	ABB.	UNIT NO.	B	C	D	F	C57	R46, R50, R52, R55, R187	R204	D22	D44, D45	W501	W502, S13, S14	W506
U.S.A.	K	P	X32-3050-11	NO	NO	NO	YES	C90-1826-05	NO	YES	RD6 RES (B2) or HZS6.8N (B2)	NO	NO	YES	YES
CANADA	K	P	X32-3050-11	NO	NO	NO	YES	C90-1826-05	NO	YES	RD6 RES (B2) or HZS6.8N (B2)	NO	NO	YES	YES
AUSTRALIA	X	R	X32-3050-11	NO	NO	NO	YES	C90-1826-05	NO	YES	RD6 RES (B2) or HZS6.8N (B2)	NO	NO	YES	YES
U.K.	E	G	X32-3050-11	NO	NO	NO	YES	C90-1826-05	NO	YES	RD6 RES (B2) or HZS6.8N (B2)	NO	NO	YES	YES
GERMANY	E	G	X32-3050-11	NO	NO	NO	YES	C90-1826-05	NO	YES	RD6 RES (B2) or HZS6.8N (B2)	NO	NO	YES	YES
PK GENERAL MARKET	Y	M	X32-3050-22	YES	NO	NO	YES	C90-1826-05	NO	YES	RD6 RES (B2) or HZS6.8N (B2)	NO	NO	YES	NO

DP-J1070															
DESTINATION	COUNTRY	ABB.	UNIT NO.	B	C	D	F	C57	R46, R50, R52, R55, R187	R204	D22	D44, D45	W501	W502, S13, S14	W506
U.S.A.	K	P	X32-3050-11	NO	NO	NO	YES	C90-1826-05	NO	YES	RD6 RES (B2) or HZS6.8N (B2)	NO	NO	YES	YES
CANADA	K	P	X32-3050-11	NO	NO	NO	YES	C90-1826-05	NO	YES	RD6 RES (B2) or HZS6.8N (B2)	NO	NO	YES	YES
AUSTRALIA	X	R	X32-3050-11	NO	NO	NO	YES	C90-1826-05	NO	YES	RD6 RES (B2) or HZS6.8N (B2)	NO	NO	YES	YES
U.K.	E	G	X32-3050-11	NO	NO	NO	YES	C90-1826-05	NO	YES	RD6 RES (B2) or HZS6.8N (B2)	NO	NO	YES	YES
GERMANY	E	G	X32-3050-11	NO	NO	NO	YES	C90-1826-05	NO	YES	RD6 RES (B2) or HZS6.8N (B2)	NO	NO	YES	YES
PK GENERAL MARKET	Y	M	X32-3050-22	YES	NO	NO	YES	C90-1826-05	NO	YES	RD6 RES (B2) or HZS6.8N (B2)	NO	NO	YES	NO

DP-J2070															
DESTINATION	COUNTRY	ABB.	UNIT NO.	B	C	D	F	C57	R46, R50, R52, R55, R187	R204	D22	D44, D45	W501	W502, S13, S14	W506
U.S.A.	K	P	X32-3050-10	NO	YES	YES	NO	C90-2192-05	YES	NO	RD6 RES (B2) or HZS6.2N (B2)	YES	YES	YES	YES
CANADA	K	P	X32-3050-10	NO	YES	YES	NO	C90-2192-05	YES	NO	RD6 RES (B2) or HZS6.2N (B2)	YES	YES	YES	YES
AUSTRALIA	X	R	X32-3050-10	NO	YES	YES	NO	C90-2192-05	YES	NO	RD6 RES (B2) or HZS6.2N (B2)	YES	YES	YES	YES
U.K.	E	G	X32-3050-10	NO	YES	YES	NO	C90-2192-05	YES	NO	RD6 RES (B2) or HZS6.2N (B2)	YES	YES	YES	YES
GERMANY	E	G	X32-3050-10	NO	YES	YES	NO	C90-2192-05	YES	NO	RD6 RES (B2) or HZS6.2N (B2)	YES	YES	YES	YES
PK GENERAL MARKET	Y	M	X32-3050-21	YES	YES	YES	NO	C90-2192-05	YES	NO	RD6 RES (B2) or HZS6.2N (B2)	YES	YES	YES	NO



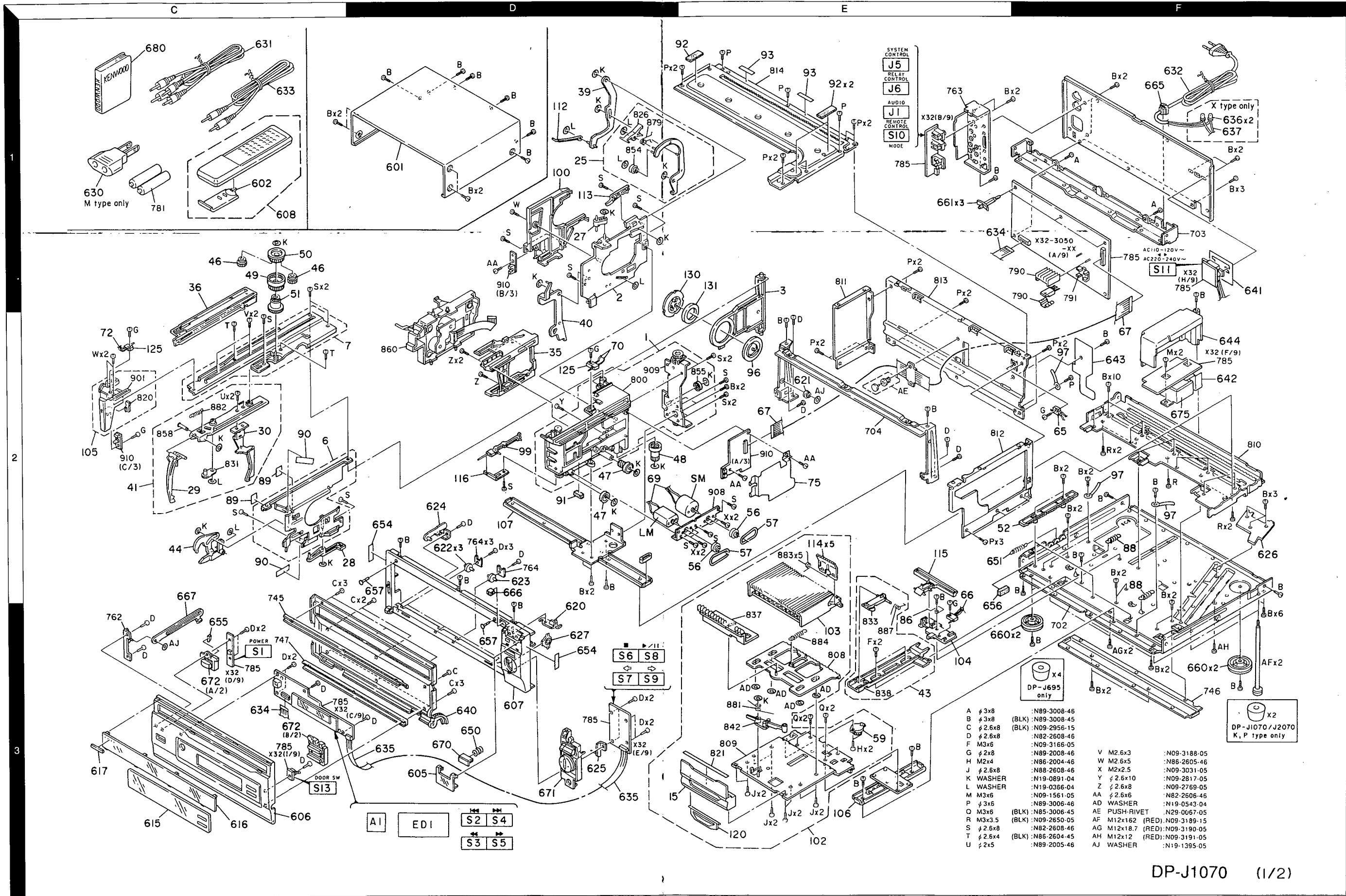
CAUTION: For continued safety, replace safety critical components only with manufacturer's recommended parts (refer to parts list). Δ indicates safety critical components. To reduce the risk of electric shock, leakage-current or resistance measurements shall be carried out (exposed parts are acceptably insulated from the supply circuit) before the appliance is returned to the customer.

• DC voltages are as measured with a high impedance voltmeter. Values may vary slightly due to variations between individual instruments or/and units.

2SA954 2SC2878	DTA124ES DTC124ES DTC143TS UN4112 2SC2458	2SB1370 2SD2061	UN4212 UN4216 UN4219 2SC3311A	2SB1375 2SD2012
NJM4580E	TA8409S	TC74HC165AF	HM62256BLFP12T	TC74HC00AF
TC9400F	CXD2500AQ CXD2500BQ CXD2512AQ	CXA1782BQ	LB1641	
TC74HC373AF	LC75711E	BA6198FP		

DP-J695/J1070/J2070 DP-J695/J1070/J2070

EXPLODED VIEW (UNIT)



A	φ 3x8	:N89-3008-46	V	M2.6x3	:N09-3188-05
B	φ 3x8	(BLK):N89-3008-45	W	M2.6x5	:N86-2605-46
C	φ 2.6x8	(BLK):N09-2956-15	X	M2x2.5	:N09-3031-05
D	φ 2.6x8	:N82-2608-46	Y	φ 2.6x10	:N09-2817-05
F	M3x6	:N09-3166-05	Z	φ 2.6x8	:N09-2769-05
G	φ 2x8	:N89-2008-46	AA	φ 2.6x6	:N82-2606-46
H	M2x4	:N86-2004-46	AD	WASHER	:N19-0543-04
J	φ 2.6x8	:N88-2608-46	AE	PUSH-RIVET	:N29-0667-05
K	WASHER	:N19-0891-04	AF	M12x1.62 (RED)	:N09-3189-15
L	WASHER	:N19-0366-04	AG	M12x1.8 (RED)	:N09-3190-05
M	M3x6	:N09-1561-05	AH	M12x1.2 (RED)	:N09-3191-05
P	φ 3x6	:N89-3006-46	AJ	WASHER	:N19-1395-05
O	M3x6 (BLK)	:N85-3006-45			
R	M3x3.5 (BLK)	:N09-2650-05			
S	φ 2.6x8	:N82-2608-46			
T	φ 2.6x4 (BLK)	:N86-2604-45			
U	φ 2x5	:N89-2005-46			

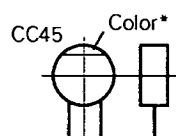
37 Parts with the exploded numbers larger than 700 are not supplied.

PARTS DESCRIPTION

CAPACITORS

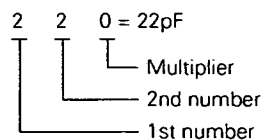
CC 45 TH 1H 220 J
 1 2 3 4 5 6

- 1 = Type ... ceramic, electrolytic, etc.
- 2 = Shape ... round, square, ect.
- 3 = Temp. coefficient
- 4 = Voltage rating
- 5 = Value
- 6 = Tolerance



Capacitor value

- 010 = 1pF
- 100 = 10pF
- 101 = 100pF
- 102 = 1000pF = 0.001μF
- 103 = 0.01μF



Temperature coefficient

1st Word	C	L	P	R	S	T	U
Color*	Black	Red	Orange	Yellow	Green	Blue	Violet
ppm/°C	0	-80	-150	-220	-330	-470	-750

2nd Word	G	H	J	K	L
ppm/°C	±30	±60	±120	±250	±500

Example : CC45TH = -470 ± 60ppm/°C

Tolerance (More than 10pF)

Code	C	D	G	J	K	M	X	Z	P	No code
(%)	±0.25	±0.5	±2	±5	±10	±20	+40 -20	+80 -20	+100 -0	More than 10μF - 10 ~ +50 Less than 4.7μF - 10 ~ +75

(Less than 10pF)

Code	B	C	D	F	G
(pF)	±0.1	±0.25	±0.5	±1	±2

Voltage rating

2nd word	A	B	C	D	E	F	G	H	J	K	V	
1st word	0	1.0	1.25	1.6	2.0	2.5	3.15	4.0	5.0	6.3	8.0	-
1	10	12.5	16	20	25	31.5	40	50	63	80	35	-
2	100	125	160	200	250	315	400	500	630	800	-	-
3	1000	1250	1600	2000	2500	3150	4000	5000	6300	8000	-	-

Chip capacitors

(EX) C C 7 3 F S L 1 H 0 0 0 J
 1 2 3 4 5 6 7

(Chip) (CH, RH, UJ, SL)

(EX) C K 7 3 F F 1 H 0 0 0 Z
 1 2 3 4 5 6 7

(Chip) (B, F)

Refer to the table above.

- 1 = Type
- 2 = Shape
- 3 = Dimension
- 4 = Temp. coefficient
- 5 = Voltage rating
- 6 = Value
- 7 = Tolerance

Dimension (Chip capacitors)

Dimension code	L	W	T
Empty	5.6 ± 0.5	5.0 ± 0.5	Less than 2.0
A	4.5 ± 0.5	3.2 ± 0.4	Less than 2.0
B	4.5 ± 0.5	2.0 ± 0.3	Less than 2.0
C	4.5 ± 0.5	1.25 ± 0.2	Less than 1.25
D	3.2 ± 0.4	2.5 ± 0.3	Less than 1.5
E	3.2 ± 0.2	1.6 ± 0.2	Less than 1.25
F	2.0 ± 0.3	1.25 ± 0.2	Less than 1.25
G	1.6 ± 0.2	0.8 ± 0.2	Less than 1.0

RESISTORS

Chip resistor (Carbon)

(EX) R K 7 3 E B 2 B 0 0 0 J
 1 2 3 4 5 6 7

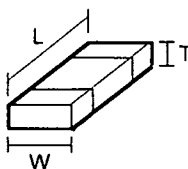
(Chip) (B, F)

Carbon resistor (Normal type)

(EX) R D 1 4 B B 2 C 0 0 0 J
 1 2 3 4 5 6 7

- 1 = Type
- 2 = Shape
- 3 = Dimension
- 4 = Temp. coefficient
- 5 = Rating wattage
- 6 = Value
- 7 = Tolerance

Dimension



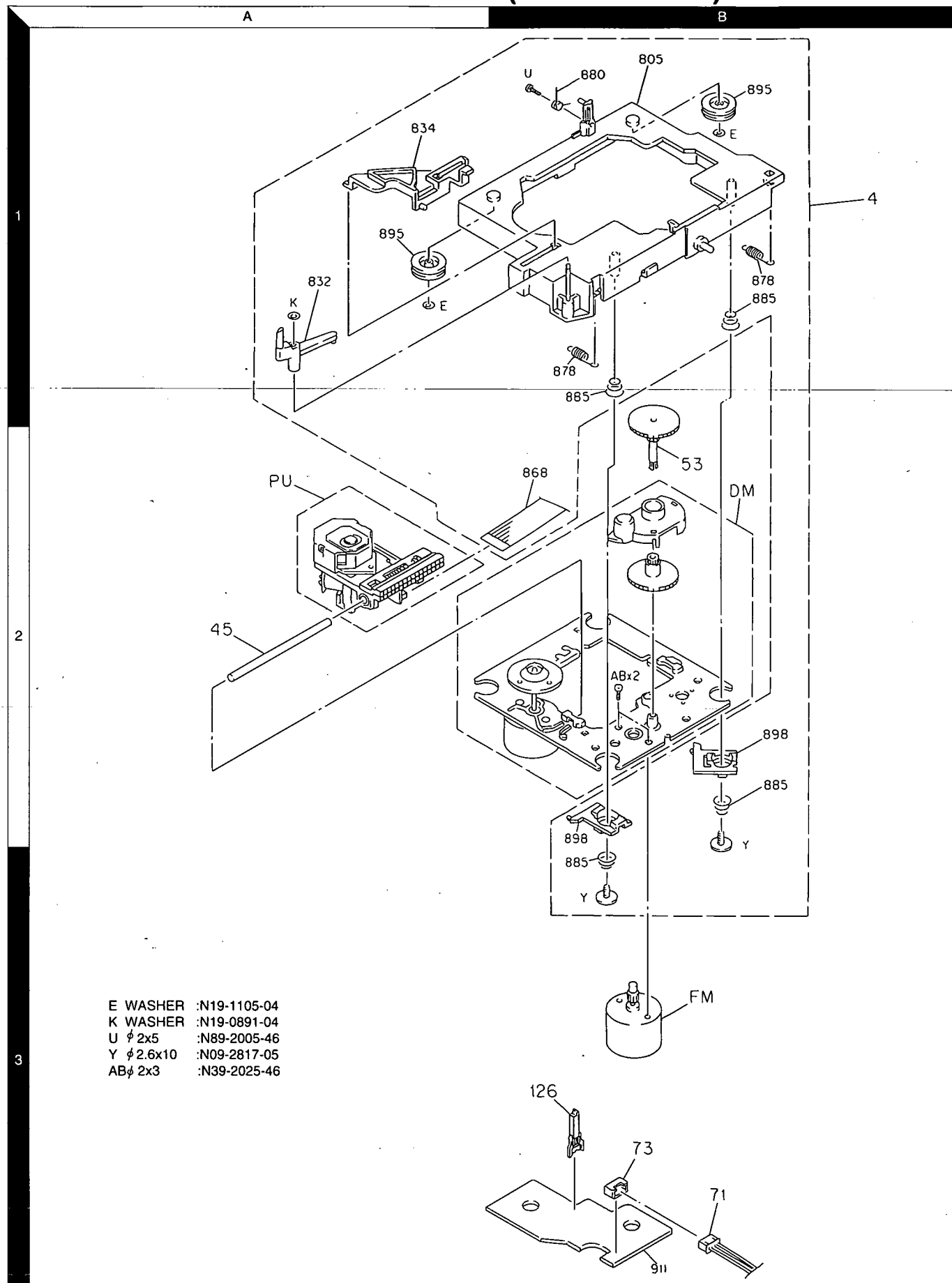
Dimension (Chip resistor)

Dimension code	L	W	T
E	3.2 ± 0.2	1.6 ± 0.2	1.0
F	2.0 ± 0.3	1.25 ± 0.2	1.0
G	1.6 ± 0.2	0.8 ± 0.2	0.5 ± 0.1

Rating wattage

Code	Wattage	Code	Wattage	Code	Wattage
1J	1/16W	2C	1/6W	3A	1W
2A	1/10W	2E	1/4W	3D	2W
2B	1/8W	2H	1/2W		

EXPLODED VIEW(MECHANISM)



- E WASHER :N19-1105-04
- K WASHER :N19-0891-04
- U φ2x5 :N89-2005-46
- Y φ2.6x10 :N09-2817-05
- ABφ2x3 :N39-2025-46

Parts with the exploded numbers larger than 700 are not supplied.

DP-J695/J1070/J2070

PARTS LIST

* New Parts
Parts without **Parts No.** are not supplied.
Les articles non mentionnés dans le **Parts No.** ne sont pas fournis.
Teile ohne **Parts No.** werden nicht geliefert.

NO.2

Ref. No.	Add-ress	New Parts	Parts No.	Description (R)	Desti-nation	Re-marks
625	3D	*	D19-0289-04	PIN		
626	2F	*	D32-0347-04	STOPPER DAMPER		
627	3D	*	D39-0314-05			
630	1C		E03-0115-05	AC PLUG ADAPTER	M	
631	1C		E30-0505-05	AUDIO CORD	MEG	
632	1F		E30-2592-15	AC POWER CORD	Y	
632	1F		E30-2605-05	AC POWER CORD	KRP	
632	1F		E30-2650-05	AC POWER CORD		
632	1F		E30-2714-05	AC POWER CORD	X	
632	1F		E30-2721-05	AC POWER CORD	T	
632	1C		E30-2733-05	CORD WITH PLUG		
634	1F,3C	*	E35-1078-05	FLAT CABLE (21P X32 CN4-CN6)		
635	3D	*	E35-1079-05	FLAT CABLE (6P X32 CN7-CN8)		
636	1F	*	E29-0163-05	WIRE CONNECTION CAP	X	
637	1F	*	E30-2814-05	CORD WITH CONNECTOR	X	
640	3D	*	F07-0750-21	COVER	YM	
641	1F	*	F20-1423-04	INSULATING BOARD (VOLTAGE SEL)	MX	
642	2F	*	F20-1444-04	INSULATING BOARD (TRANS)	TEG	
643	2F	*	F20-1461-04	INSULATING BOARD (S-CHASSIS R)	YM	
644	2F	*	F29-0113-12	INSULATING COVER		
650	3D	*	G01-3831-04	COMPRESSION SPRING (OPEN)		
651	6F	*	G09-0643-14	SPRING (2070)		
651	2F	*	G09-0644-14	SPRING (695/1070)		
654	2D,3D	*	G10-0419-04	NON-WOVEN FABRIC (PANEL)		
655	3C	*	G11-2238-14	CUSHION (POWER)		
656	3F	*	G11-2244-14	CUSHION (DOOR SPRING)		
657	3D	*	G13-0182-04	CUSHION (DOOR)		
-	-	*	H50-1584-04	ITEM CARTON CASE (2070)	KPYMX	
-	-	*	H50-1584-04	ITEM CARTON CASE (2070)	EG	
-	-	*	H50-1585-04	ITEM CARTON CASE (2070)	T	
-	-	*	H50-1586-04	ITEM CARTON CASE (1070)	X	
-	-	*	H50-1587-04	ITEM CARTON CASE (695)	M	
-	-	*	H10-7090-02	POLYSTYRENE FOAMED FIXTURE (L)		
-	-	*	H10-7091-12	POLYSTYRENE FOAMED FIXTURE (R)		
-	-	*	H12-2245-04	PACKING FIXTURE		
-	-	*	H12-2260-04	PACKING FIXTURE		
-	-	*	H13-0203-14	CARTON BOARD		
-	-	*	H20-0580-04	PROTECTION COVER		
-	-	*	H21-0321-24	PROTECTION SHEET		
-	-	*	H21-0322-04	PROTECTION SHEET		
-	-	*	H21-0323-04	PROTECTION SHEET		
-	-	*	H25-0232-04	PROTECTION BAG (235X350X0.03)	KRPYMX	
-	-	*	H25-0232-04	PROTECTION BAG (235X350X0.03)		
-	-	*	H25-0232-04	PROTECTION BAG (SET)	EG	
-	-	*	H25-0383-04	PROTECTION BAG (SET)	KRPYX	
-	-	*	H25-0651-04	PROTECTION BAG (0232 PRINTED)	TEG	
-	-	*	H25-0651-04	PROTECTION BAG (0232 PRINTED)	T	
660	3F		J02-1013-05	FOOT (695)	KP	
660	3F		J02-1013-05	FOOT (REAR)		
660	3F		J02-1024-05	FOOT (1070/2070)		
661	1E		J19-3328-15	UNIT HOLDER		
665	1F		J42-0083-05	POWER CORD BUSHING		
666	3D	*	J52-0032-05	MAGNET CATCH		

* New Parts
Parts without **Parts No.** are not supplied.
Les articles non mentionnés dans le **Parts No.** ne sont pas fournis.
Teile ohne **Parts No.** werden nicht geliefert.

NO.1

Ref. No.	Add-ress	New Parts	Parts No.	Description	Desti-nation	Re-marks
DP-J695/J1070/J2070						
601	1D	*	A01-3260-01	METALLIC CABINET		
602	1C	*	A09-0303-08	BATTERY COVER		
605	3D	*	A21-1866-04	DRESSING PANEL	KPYX	
606	3C	*	A29-0390-21	PANEL (1070/2070)	TEG	
606	3C	*	A29-0801-21	PANEL (695)	KRPYX	
607	3D	*	A60-0897-11	PANEL (2070)		
607	3D	*	A60-0898-11	PANEL (1070)	M	
607	3D	*	A60-0899-11	PANEL (695)	M	
608	1C	*	A70-1013-15	REMO-CON ASSY (2070) RC-P0201		
608	1C	*	A70-1013-15	REMO-CON ASSY (2070) RC-P0201		
608	1C	*	A70-1014-15	REMO-CON ASSY (695/1070)P0100		
608	1C	*	A70-1014-15	REMO-CON ASSY (2070) RC-P0201		
608	1C	*	A70-1041-05	REMO-CON ASSY (695/1070)P0100		
615	3C	*	B03-2938-03	DRESSING PLATE (2070)		
615	3C	*	B03-2939-03	DRESSING PLATE (695/1070)		
616	3C	*	B10-2080-12	FRONT GLASS (2070)		
616	3C	*	B10-2081-12	FRONT GLASS (1070)		
616	3C	*	B10-2082-12	FRONT GLASS (695)		
617	3C	*	B43-0287-04	KENWOOD BADGE (1070/2070)	KY	
-	-	*	B46-0092-43	WARRANTY CARD	X	
-	-	*	B46-0096-53	WARRANTY CARD	P	
-	-	*	B46-0121-33	WARRANTY CARD	K	
-	-	*	B46-0197-00	QUESTIONNAIRE CARD		
-	-	*	B46-0310-03	WARRANTY CARD	TEG	
-	-	*	B58-0513-04	CAUTION CARD (PRESET220-240)	Y	
-	-	*	B58-0964-13	CAUTION CARD (CAUTION UL)	KRY	
-	-	*	B58-0965-13	CAUTION CARD (TX TYPE PL)	XT	
-	-	*	B58-0966-13	CAUTION CARD (ELM TYPE PL)	ME	
-	-	*	B58-0967-03	CAUTION CARD (P TYPE PL)	P	
-	-	*	B58-0970-13	CAUTION CARD (RG TYPE PL)	RG	
-	-	*	B58-0992-04	CAUTION CARD (TRANSPORT SCR)		
-	-	*	B58-0993-04	CAUTION CARD (TRANSPORT SCR)		
-	-	*	B58-0998-04	CAUTION CARD (8cm CD)		
-	-	*	B59-1104-00	SERVICE DIRECTORY	Y	
-	-	*	B60-1995-10	INST.MANUAL (2070/EN)	TE	
-	-	*	B60-1995-10	INST.MANUAL (2070/EN)	PE	
-	-	*	B60-1996-00	INST.MANUAL (2070/FR)	KPYMX	
-	-	*	B60-1997-00	INST.MANUAL (2070/G)	EG	
-	-	*	B60-1998-00	INST.MANUAL (2070/D/I)	E	
-	-	*	B60-1999-00	INST.MANUAL (2070/SP)	ME	
-	-	*	B60-2000-00	INST.MANUAL (2070/C)	M	
-	-	*	B60-2001-00	INST.MANUAL (2070/T/TAIWAN)	M	
-	-	*	B60-2217-10	INST.MANUAL (695/1070/EN)	M	
-	-	*	B60-2218-00	INST.MANUAL (695/1070/FR)	P	
-	-	*	B60-2219-00	INST.MANUAL (695/1070/SP)	MR	
-	-	*	B60-2220-00	INST.MANUAL (695/1070/C)	M	
-	-	*	B60-2221-00	INST.MANUAL (695/1070/TAIWAN)	M	
620	3D	*	D10-3516-04	LEVER		
621	2E	*	D14-0371-04	ROLLER	(BLACK)	
622	2D	*	D14-0373-04	ROLLER	(GRAY)	
623	3D	*	D14-0324-04	ROLLER		
624	2D	*	D19-0288-04	PIN		

L:Scandinavia K:USA P:Canada R:Mexico
 Y:PX(Far East, Hawaii) T:England G:Germany
 Y:AAFES(Europe) X:Australia M:Other Areas
 Δ indicates safety critical components.

PARTS LIST

* New Parts
Parts without **Parts No.** are not supplied.
Les articles non mentionnés dans le **Parts No.** ne sont pas fournis.
Teile ohne **Parts No.** werden nicht geliefert.

NO.4

Ref. No.	Add-ress	New Parts	Parts No.	Description	Desti-nation	Re-marks
C32			CE04KW1E101M	100UF		
C33			CE04KW1A101M	100UF		
C34			CK73FB1H132K	1500PF		
C35			CK73FB1H32K	3300PF		
C36			CK73FB1H473K	0.047UF		
C37			CC45FSL1H221J	220PF		
C38			CE04HW1HR47M	0.47UF		
C39			CK73FB1H103K	0.010UF		
C40			CE04KW0J221M	220UF		
C41			CK45FF1H103Z	0.010UF		
C42			CK45FB1H102K	1000PF		
C43,44			CC45FSL1H220J	22PF		
C45,46			CK73FF1C105Z	1.0UF		
C47,48			CE04HW1E100M	10UF		
C49			CE04KW0J221M	220UF		
C50			CK73FB1H103K	0.010UF		
C51			CK45FB1H102K	1000PF		
C52,55			CE04KW1A101M	100UF		
C56			CK45FF1H103Z	0.010UF		
C57			C90-1826-05	0.047F		
C58			C90-2192-05	0.1F		
C59			CE04KW0J471M	470UF		
C60,61			CK73FB1H103K	0.010UF		
C63			CE04KW1V100M	10UF		
C64			CE04KW1A101M	100UF		
C65			CK73FB1H103K	0.010UF		
C66			CK73FB1H103K	0.010UF		
C67			CE04KW1A101M	100UF		
C68			CE04KW1V100M	10UF		
C69			CE04KW1A101M	100UF		
C72			CK45FF1H103Z	0.010UF		
C74			CK73FF1E47Z	0.47UF		
C75,76			CE04KW1A101M	100UF		
C77,78			CF92FV1H331K	330PF		
C79-82			CF92FV1H101K	100PF		
C83,84			CF92FV1H272J	2700PF		
C85,86			CF92FV1H151K	150PF		
C87,88			CE04KW1V100M	10UF		
C89-91			CK45FF1H103Z	0.010UF		
C93			CC73FSL1H150K	15PF		
C94			CK73FB1H103K	0.010UF		
C97			CK73FB1H103K	0.010UF		
C100			CK73FB1H103K	0.010UF		
C101			CE04KW1A101M	100UF		
C102			CE04KW1V100M	10UF		
C103			CE04KW1V100M	10UF		
C104			CK45FF1H103Z	0.010UF		
C105			CE04KW1E222M	2200UF		
C106			CE04KW1E471M	470UF		
C107			CE04KW1H101M	100UF		
C108-113			CK45FF1H103Z	33PF		
C114			CK73FSL1H330J	33PF		
C116			CE04KW1A470M	47UF		
C117,118			CC73FSL1H221J	220PF		

L:Scandinavia K:USA P:Canada R:Mexico 6:DP-J695
 Y:PX(Far East, Hawaii) T:England G:Germany 1:DP-J1070
 Y:AAF(E)S(E)urope X:Australia M:Other Areas 2:DP-J2070
 Δ indicates safety critical components.

* New Parts
Parts without **Parts No.** are not supplied.
Les articles non mentionnés dans le **Parts No.** ne sont pas fournis.
Teile ohne **Parts No.** werden nicht geliefert.

NO.3

Ref. No.	Add-ress	New Parts	Parts No.	Description	Desti-nation	Re-marks
667	3C		J54-0074-14	STAY CLAMPER		
-			J11-0807-14	WIRE CLAMPER (AC CORD)	KRPX	
-			J11-0810-05	WIRE CLAMPER (AC CORD)	TEG	
-			J61-0307-05	WIRE BAND	X	
670	3D		K27-2165-04	KNOB (OPEN)	KP	
671	3D		K29-6084-03	KNOB (PLAY/STOP)	YM	
672	3C		K29-6134-03	KNOB (POWER/SKIP)	KRP	
675	2F		L07-1964-05	POWER TRANSFORMER (2070)	YM	
675	2F		L07-1965-05	POWER TRANSFORMER (2070)	KRP	
675	2F		L07-1996-05	POWER TRANSFORMER (695/1070)	YM	
675	2F		L07-1997-05	POWER TRANSFORMER (695/1070)	X	
675	2F		L07-1998-05	POWER TRANSFORMER (695/1070)	X	
675	2F		L07-1999-05	POWER TRANSFORMER (2070)	XTEG	
AF	2F,3F		N09-3189-15	STEPPED SCREW RED (M12X162)		
AG	2F,3F		N09-3190-05	STEPPED SCREW RED (M12X18,7)		
AH	2F,3F		N08-3191-05	STEPPED SCREW RED (M12X12)		
AJ	3C		N19-1395-05	FLAT WASHER		
C	3C,3D		N09-2996-15	DRESSED SCREW BLACK (M2.6X8)		
M	2F		N09-1561-05	TAPTITE SCREW (3X6,+)		
680	1C		W01-0879-05	CARD HOLDER		
CD PLAYER UNIT (X32-3050-XX)						
C1			CC73FSL1H151J	150PF	J	
C2			CK73FB1H102K	1000PF	K	
C3			CK73FSL1H221J	220PF	J	
C4			CE04HW1E100M	10UF	25WV	
C5			CK73FB1H103K	0.010UF	K	
C6			CE04KW1E101M	100UF	25WV	
C7			CK73FSL1H100D	10PF	D	
C8			CK73FB1H333K	0.033UF	K	
C9			CE04HW1E100M	10UF	25WV	
C10			CK73FB1E104K	0.10UF	K	
C11			CC73FSL1H470J	47PF	J	
C12			CK73FB1H103K	0.010UF	K	
C13			CE04KW1A101M	100UF	10WV	
C14			CK73EB1C474K	0.47UF	K	
C15			CC73FSL1H150J	15PF	J	
C16			CK73FB1H103K	0.010UF	K	
C17			CK73FB1H222K	2200PF	K	
C18			CK73FB1E104K	0.10UF	K	
C19			CK73FB1H103K	0.010UF	K	
C20			CE04KW0J221M	220UF	6.3WV	
C21			CK73FB1H333K	0.033UF	K	
C22			CK73FB1H103K	0.010UF	K	
C23			CK73FB1H223K	0.022UF	K	
C24			CK73FB1H562K	5600PF	K	
C25			CK73FB1H103K	0.010UF	K	
C26			CK73FB1H689K	0.068UF	K	
C27			CE04KW1H010M	1.0UF	50WV	
C28			CK73FB1H473K	0.047UF	K	
C29,30			CE04KW0J221M	220UF	6.3WV	
C31			CE04KW1H010M	1.0UF	50WV	

L:Scandinavia K:USA P:Canada R:Mexico 6:DP-J695
 Y:PX(Far East, Hawaii) T:England G:Germany 1:DP-J1070
 Y:AAF(E)S(E)urope X:Australia M:Other Areas 2:DP-J2070
 Δ indicates safety critical components.

DP-J695/J1070/J2070

PARTS LIST

* New Parts
Parts without **Parts No.** are not supplied.
Les articles non mentionnés dans le **Parts No.** ne sont pas fournis.
Teile ohne **Parts No.** werden nicht geliefert.

NO.6

Ref. No.	Add-ress	New Parts	Parts No.	Description	Desti-nation	Re-marks
R3			CH1P R	3.3K	1/10W	
R4			CH1P R	24K	1/10W	
R5			CH1P R	1.0M	1/10W	
R6			CH1P R	120K	1/10W	
R7			CH1P R	330K	1/10W	
R8			CH1P R	27K	1/10W	
R10			CH1P R	100K	1/10W	
R12			CH1P R	100K	1/10W	
R13			CH1P R	100	1/10W	
R14			CH1P R	2.2M	1/10W	
R15			CH1P R	1.0K	1/10W	
R16			CH1P R	82K	1/10W	
R17			CH1P R	20K	1/10W	
R18			CH1P R	10K	1/10W	
R19			CH1P R	4.7	1/10W	
R20			CH1P R	390K	1/10W	
R21			CH1P R	15K	1/10W	
R22			CH1P R	100	1/10W	
R23			CH1P R	510K	1/10W	
R24, 25			CH1P R	4.7K	1/10W	
R26			FL-PROOF RS	0.68	2W	
R27			CH1P R	10K	1/10W	
R34			CH1P R	1.0	1/10W	
R38			CH1P R	470	1/10W	
R45			CH1P R	4.7	1/10W	
R57-59			CH1P R	220	1/10W	
R60			CH1P R	4.7	1/10W	
R64			CH1P R	100	1/10W	
R69			CH1P R	470	1/10W	
R76			CH1P R	220	1/10W	
R105,106			CH1P R	1.0K	1/10W	
R109,110			CH1P R	2.2K	1/10W	
R111,112			CH1P R	1.0K	1/10W	
R114,115			CH1P R	100K	1/10W	
R116			CH1P R	220	1/10W	
R118			CH1P R	2.2	1/10W	
R122			CH1P R	22K	1/10W	
R136,137			CH1P R	100K	1/10W	
R138			CH1P R	22K	1/10W	
R162-165			CH1P R	68K	1/10W	
R166			CH1P R	1.0K	1/10W	
R167			CH1P R	330K	1/10W	
R168			CH1P R	20K	1/10W	
R169			CH1P R	51K	1/10W	
R171			CH1P R	4.7K	1/10W	
R173			CH1P R	1.0M	1/10W	
R174			CH1P R	24K	1/10W	
R175			CH1P R	3.9K	1/10W	
R176			CH1P R	100K	1/10W	
R177			CH1P R	680K	1/10W	
R178			CH1P R	10	1/10W	
R182			CH1P R	100K	1/10W	
R185			CH1P R	1.0K	1/10W	
R197			CH1P R	120K	1/10W	
R202			CH1P R	100K	1/10W	

* New Parts
Parts without **Parts No.** are not supplied.
Les articles non mentionnés dans le **Parts No.** ne sont pas fournis.
Teile ohne **Parts No.** werden nicht geliefert.

NO.5

Ref. No.	Add-ress	New Parts	Parts No.	Description	Desti-nation	Re-marks
C119,120			CH1P C	68PF	J	2
C121			CH1P C	1.0UF	Z	
C124			CH1P C	680PF	K	
C125			CH1P C	15PF	J	
C126			ELECTRO	1.0UF	50WV	
C127			CERAMIC	0.010UF	Z	2
C128			MF-C	1.0UF	J	
C129			CERAMIC	0.010UF	Z	2
C130			CH1P C	0.022UF	K	
C131			NP-ELEC	2.2UF	50WV	
C132			ELECTRO	100UF	10WV	
C133			CH1P C	0.010UF	K	
C134			CH1P C	1.0UF	Z	
C135			CH1P C	0.010UF	K	
C136			ELECTRO	100UF	6.3WV	
C137			CERAMIC	0.010UF	Z	
C138			CH1P C	0.047UF	K	
C139			CH1P C	0.010UF	K	
C140			CH1P C	0.010UF	K	
C141,142			CH1P C	0.010UF	K	2
C143-146			CH1P C	220PF	J	
C147,148			CERAMIC	0.010UF	Z	
C149			CERAMIC	0.010UF	Z	2
C151,152			CH1P C	0.010UF	K	
C153			CH1P C	15PF	J	
C156			CH1P C	0.010UF	K	2
C157,158			CH1P C	0.010UF	K	
C159			CH1P C	15PF	J	2
C160,161			CH1P C	0.010UF	K	
C162			CH1P C	0.010UF	K	2
C164-167			CH1P C	220PF	J	
C168			CH1P C	0.010UF	K	
C169			CH1P C	0.10UF	Z	
CN1	1F		FLAT CABLE CONNECTOR (31P)			
CN2	1F		PIN ASSY (2P)			
CN3	1F		PIN ASSY (2P RED)			
CN4	1F		FLAT CABLE CONNECTOR (21P)			
CN6	3C		FLAT CABLE CONNECTOR (21P)			
CN7,8	3C,3D		FLAT CABLE CONNECTOR (9P)			
CN9	2F		PIN ASSY (2P)			
CN10	1F		PIN ASSY (2P BLUE)			
CN11	1F		PIN ASSY (2P WHITE)			
CN12	1F		FLAT CABLE CONNECTOR (6P)			
J1		*	PHONO JACK(4P) AUDIO			
J5		*	MINIATURE PHONE JACK(2P)S.CONT			
J6		*	MINIATURE PHONE JACK(2P)RELAY			
J8		*	CYLINDRICAL RECEPTACLE KEY BD			
L1			WIRE CLAMPER			
X1			SMALL FIXED INDUCTOR(10UH,K)			
X2			RESONATOR (16.93M)			
R1			CH1P R	1.0K	J	2
R2			CH1P R	47K	J	1/10W

L:Scandinavia K:USA P:Canada R:Mexico Z:DP-J2070
 Y:PX(Far East, Hawaii) T:England G:Germany
 V:AAFES(Europe) X:Australia M:Other Areas
 Δ indicates safety critical components.

DP-J695/J1070/J2070

PARTS LIST

* New Parts
Parts without **Parts No.** are not supplied.
Les articles non mentionnés dans le **Parts No.** ne sont pas fournis.
Teile ohne **Parts No.** werden nicht geliefert.

NO.8

Ref. No.	Add-ress	New Parts	Parts No.	Description	Desti-nation	Re-marks
IC12		*	UPD78078GF016	MI-COM IC		
IC13,14		*	TC74HC165AF	IC(8BIT SHIFT REGISTER)		2
IC15		*	HM62256BLFP12	MEMORY IC		2
IC16			TC74HC373AF	IC(8 bit LATCH)		
IC17			TC74HC00AF	IC(2INPUT NAND GATE)		
IC18			TC9400F	MOS-IC		
IC19-21			NJM4580E	ANALOGUE IC		2
IC24			TC74HC4053AF	IC(DISPLAY DRIVER)		
IC26			LC7571E	TRANSISTOR		
Q1			2SB1370(E,F)	TRANSISTOR		
Q1			2SB1375	TRANSISTOR		
Q2			2SC2458(Y,GR)	TRANSISTOR		
Q2			2SC3311A(Q,R)	TRANSISTOR		
Q3			2SD2012	TRANSISTOR		
Q3			2SD2061	TRANSISTOR		
Q4			DTC124ES	DIGITAL TRANSISTOR		
Q4			UN4212	TRANSISTOR		
Q5,6			2SC2878(B)	TRANSISTOR		
Q7			DTC124ES	DIGITAL TRANSISTOR		
Q7			UN4212	TRANSISTOR		
Q8			DTA124ES	DIGITAL TRANSISTOR		
Q8			UN4112	TRANSISTOR		
Q9			2SA954(L,K)	TRANSISTOR		
Q10			DTA124ES	DIGITAL TRANSISTOR		
Q10			UN4112	TRANSISTOR		
Q11			2SC2458(Y,GR)	TRANSISTOR		
Q11			2SC3311A(Q,R)	TRANSISTOR		
Q12,13			2SA954(L,K)	TRANSISTOR		
Q14			DTA124ES	DIGITAL TRANSISTOR		
Q14			UN4112	TRANSISTOR		
Q17-19			DTC113ZS	DIGITAL TRANSISTOR		
Q17-19			UN4219	DIGITAL TRANSISTOR		
Q20			DTC113ZS	DIGITAL TRANSISTOR		
Q20			UN4219	DIGITAL TRANSISTOR		
A1			W02-1046-05	ELECTRIC CIRCUIT MODULE		2
A1			W02-1153-05	ELECTRIC CIRCUIT MODULE		2

MECHANISM PCB

D2			B30-1012-05	LED(SLP-981C-51)		
C1			C90-3237-05	ELECTRO		47UF 25WV
C2			C093FMG1H103J	MYLAR		0.010UF J
C3,4			C093FMG1H104J	MYLAR		0.10UF J
C5			CK45FF1H103Z	CERAMIC		0.010UF Z
CN1		*	E40-4818-05	FLAT CABLE CONNECTOR (16P)		
CN2		2E	E40-4211-05	FLAT CABLE CONNECTOR (31P)		
CN3		2E	E40-3264-05	PIN ASSY (6P)		
CN4,5		2E	E40-3260-05	PIN ASSY (2P)		
CN6		2E	E40-3262-05	PIN ASSY (4P)		
CN7		2E	E40-4969-05	PIN ASSY (5P)		
WH1		1D,2C	E35-1144-05	WIRING HARNESS (5P X92-CN7)		
PH1		*	T95-0140-05	OPTO ISOLATOR		
D1		*	HZS6.8N(B)	ZENER DIODE		

L:Scandinavia K:USA P:Canada R:Mexico 2:DP-J2070
 Y:PX(Far East, Hawaii) T:England G:Germany
 V:AAFES(Europe) X:Australia M:Other Areas
 Δ indicates safety critical components.

* New Parts
Parts without **Parts No.** are not supplied.
Les articles non mentionnés dans le **Parts No.** ne sont pas fournis.
Teile ohne **Parts No.** werden nicht geliefert.

NO.7

Ref. No.	Add-ress	New Parts	Parts No.	Description	Desti-nation	Re-marks
R204			RK73FB2A104J	CHIP R		6/1
VR1			R12-3127-05	100K J	1/10W	
VR2			R12-3133-05	TRIMMING POT.(10K) FE-GAIN		
VR3			R12-3131-05	TRIMMING POT.(47K) TE-GAIN		
VR4			R12-3127-05	TRIMMING POT.(33K) FE-BIAS		
VR4			R12-3127-05	TRIMMING POT.(10K) TE-BALANCE		
W378			R92-0670-05	CHIP R		
S1-9			S40-1064-05	PUSH SWITCH		
S10			S62-0037-05	SLIDE SWITCH		
S11			S31-3070-05	REMO-COM MODE		
S12			S31-2132-05	AC VOLTAGE SEL	YM	
S13			S64-0006-05	D.MEMORY/NORMAL		2
S13			S64-0006-05	DOOR		
D1,2			HSS104	DIODE		
D1,2			1SS133	DIODE		
D3			1SS355	DIOD		
D4-6			HSS104	DIODE		
D4-6			1SS133	DIODE		
D7			HZS6.2N(B2)	ZENER DIODE		
D7			RD6.2ES(B2)	ZENER DIODE		
D10			1SS355	DIODE		
D11-18			HSS104	DIODE		
D11-18			1SS133	DIODE		
D19			S5688B	DIODE		
D19			1SR139-100	DIODE		
D20			KBP02M1-6127	DIODE		
D21			HZS33N(B)	ZENER DIODE		
D21			RD33ES(B)	ZENER DIODE		
D22			HZS6.8N(B2)	ZENER DIODE		6/1
D22			HZS6.2N(B2)	ZENER DIODE		2
D22			RD6.8ES(B2)	ZENER DIODE		6/1
D22			RD6.2ES(B2)	ZENER DIODE		2
D23			S5688B	DIODE		
D23			1SR139-100	DIODE		
D24-33			HSS104	DIODE		
D24-33			1SS133	DIODE		
D44			HSS104	DIODE		
D44			1SS133	DIODE		
D45			1SS355	DIODE		
D48,49			1SS355	DIODE		
D52-55			1SS355	DIODE		
D56-61			HSS104	DIODE		
D56-61			1SS133	DIODE		
D62,63			S5688B	DIODE		
D62,63			1SR139-100	DIODE		
D64-69			1SS355	DIODE		
D70-73		*	FIP12XM1DA	INDICATOR TUBE		2
ED1		*	FIP3GM7	INDICATOR TUBE		2
ED2		*	CXA1782BQ	IC(GD-DSP)		6/1
IC1			CXD2500AQ	IC(SIGNAL PROCESSOR)		
IC2			CXD2500BQ	IC(DIGITAL SIGNAL PROCESSOR)		
IC3			BA6198FP	ANALOGUE IC		
IC7			CXD2512AQ	MOS-IC		2
IC8-11			HM514400CLT-8	MEMORY IC		2
IC8-11			TC514400AFT-80	MEMORY IC		2

L:Scandinavia K:USA P:Canada R:Mexico 6:DP-J695
 Y:PX(Far East, Hawaii) T:England G:Germany 1:DP-J1070
 V:AAFES(Europe) X:Australia M:Other Areas 2:DP-J2070
 Δ indicates safety critical components.

PARTS LIST

* New Parts
Parts without **Parts No.** are not supplied.
Les articles non mentionnés dans le **Parts No.** ne sont pas fournis.
Teile ohne **Parts No.** werden nicht geliefert.

NO.10

Ref. No.	Add-ress	New Parts	Parts No.	Description	Desti-nation	Re-marks
86	3E		G01-3785-04	TORSION COIL SPRING		
88	2F,3F	*	G01-3805-04	EXTENSION SPRING		
89	2C	*	G10-0146-04	NON-WOVEN FABRIC		
90	2C	*	G10-0421-04	NON-WOVEN FABRIC		
91	2D	*	G13-0514-04	CUSHION		
92	1E	*	G16-0861-14	RUBBER SHEET		
93	1E	*	G16-0868-04	RUBBER SHEET		
96	2E	*	J11-0803-03	CLAMPER		
97	2F	*	J19-0306-05	LEAD HOLDER		
99	1D	*	J19-3761-03	HOLDER (SHAFT)		
100	2D	*	J19-3762-02	HOLDER (GUIDE)		
102	3E	*	J19-3764-11	HOLDER ASSY (DISC 1-50)		
103	3E	*	J19-3794-11	HOLDER ASSY (DISC 51-100)		
102	3E	*	J19-3765-01	HOLDER (STOCKER)		
104	3E	*	J19-3767-03	HOLDER (LED)		
105	2C	*	J19-3778-04	HOLDER ASSY		
106	3E	*	J21-6247-05	RAIL		
107	2D	*	J21-6248-05	RAIL		
112	1D	*	J90-0822-03	RAIL (LEVER)		
113	1D	*	J90-0823-03	GUIDE		
114	2E	*	J90-0824-03	STOPPER		
115	2E	*	J90-0825-13	STOPPER		
116	2D	*	J90-0839-04	GUIDE (SHAFT)		
			J61-0307-05	WIRE BAND		
120	3E	*	K29-6144-03	KNOB (PUSH)		
AD	3E		N19-0543-04	FLAT WASHER		
AE	2E		N29-0067-05	PUSH RIVET (3.5X4.5)		
E	1A,1B		N19-1105-04	FLAT WASHER		
F	3E	*	N09-3166-05	STEPPED SCREW (M3X6)		
R	2F	*	N09-2650-05	MACHINE SCREW (BLACK M3X3.5)		
V	2C	*	N09-3188-05	MACHINE WITH WASHER (M2.6X3)		
X	2C	*	N09-3031-05	MACHINE (POWER LOCK M2X2.5)		
Y	2B,2D	*	N09-2917-05	P-TITE WITH WASHER (M2.6X10)		
Z	2D,2E	*	N09-2769-05	P-TITE MACHINE SCREW (M2.6X8)		
125	2C,2D		S33-1022-05	LEVER SWITCH		
126	3B		S74-0038-08	LEAF SWITCH		
130	1E	*	T50-1070-04	YOKE		
131	1E	*	T99-0565-05	MAGNET		
FM	3B	*	T42-0817-08	MOTOR ASSY		
LM	2A	*	T42-0803-05	DC MOTOR (LOADING)		
PU	2D	*	T25-0041-05	OPTICAL PICKUP HEAD		
SM	2E	*	T42-0802-05	DC MOTOR (SELECT)		

* New Parts
Parts without **Parts No.** are not supplied.
Les articles non mentionnés dans le **Parts No.** ne sont pas fournis.
Teile ohne **Parts No.** werden nicht geliefert.

NO.9

Ref. No.	Add-ress	New Parts	Parts No.	Description	Desti-nation	Re-marks
D1			R06-8ES(B)	ZENER DIODE		
D3			H2S5.6N(B)	ZENER DIODE		
IC1			R05.6ES(B)	ZENER DIODE		
IC2			LB164(DRIVER)	IC(MOTOR DRIVER)		
			TA8409S	IC(MOTOR CONTROL)		
Q1			DTC124ES	DIGITAL TRANSISTOR		
Q1			UN4212	TRANSISTOR		
Q2			DTC143TS	DIGITAL TRANSISTOR		
			UN4216	TRANSISTOR		
MECHANISM (X92-2050-10)						
1	2D	*	A10-3204-01	CHASSIS ASSY		
2	1D	*	A11-1057-03	SUB CHASSIS CALKING ASSY		
3	1E	*	A11-1059-03	SUB CHASSIS (CLAMP)		
4	1B	*	A11-1064-02	SUB CHASSIS ASSY (T,U)		
6	2C	*	A11-1066-03	SUB CHASSIS CALKING ASSY(GIDE)		
7	2C	*	A11-1068-03	SUB CHASSIS CALKING ASSY (LD)		
15	3E	*	A29-0396-02	PANEL (BACK A)		
15	3E	*	A29-0400-02	PANEL (BACK B)		
DM	2B	*	A11-1082-08	SUB CHASSIS ASSY		
25	1D	*	D10-3534-03	ARM ASSY (DRIVE)		
27	1D	*	D10-3539-04	ARM (LIFT CHANGE)		
28	2C	*	D10-3540-03	LEVER (CLAMP)		
29	2C	*	D10-3542-02	ARM (FRONT)		
30	2C	*	D10-3543-03	ARM (REAR)		
35	2D	*	D10-3549-01	SLIDER (LIFT)		
36	1C	*	D10-3551-03	SLIDER (LD)		
39	1D	*	D10-3567-04	ARM ASSY (LINK)		
40	2D	*	D10-3568-04	ARM ASSY (SHAFT)		
41	2C	*	D10-3569-02	SLIDER ASSY		
43	3E	*	D10-3586-04	SLIDER ASSY		
44	2C	*	D10-3589-04	LEVER ASSY		
45	2A	*	D10-3606-08	ROD		
46	1C	*	D13-0978-03	GEAR (IDLER)		
47	2D	*	D13-1683-03	WORM (PULLEY)		
48	2E	*	D13-1684-04	GEAR (SELECT)		
49	1C	*	D13-1686-03	GEAR (INNER)		
50	1C	*	D13-1687-03	GEAR (CARRIER)		
51	1C	*	D13-1688-04	GEAR (SUN)		
52	2F	*	D13-1718-04	RACK (GEAR) (STOCKER)		
53	2B	*	D13-1720-08	GEAR (RACK (GEAR))		
56	2E	*	D15-0381-04	PULLEY		
57	2E	*	D16-0382-04	BELT		
59	3E	*	D39-0316-05	DAMPER		
65	2F	*	E30-2811-05	CONNECT CORD ASSY(WHT X32-CN11)		
66	3E	*	E30-2812-05	CONNECT CORD ASSY(BLU X32-CN10)		
66	3E	*	E30-2813-05	CONNECT CORD ASSY(RED X32-CN3)		
67	2E	*	E35-1080-05	FLAT CABLE ASSY(31P X32-CN1)		
69	2D	*	E35-1141-05	WIRING HARNESS (4P X92-CN6)		
70	2D	*	E35-1142-05	WIRING HARNESS (2P X92-CN4)		
71	3B	*	E35-1143-05	WIRING HARNESS (6P X92-CN3)		
72	2C	*	E35-1145-05	WIRING HARNESS (2P X92-CN5)		
73	3B	*	E40-3264-05	PIN ASSY (6P)		
75	2E	*	F19-1061-04	COVER		

L:Scandinavia
Y:PX(Far East, Hawaii)
Y:AAFES(Europe)

K:USA
T:England
X:Australia

P:Canada
E:Europe
M:Other Areas

R:Mexico
G:Germany

Δ indicates safety critical components.

DP-J695/J1070/J2070

SPECIFICATIONS

Format

System	Compact disc digital audio system
Laser	Semiconductor laser
Number of channels	2 channels
Playing rotation	200 rpm ~ 500 rpm (CLV)

D/A Convertors

D/A conversion	1 Bit
Oversampling	8 fs (352.8 kHz)

Audio

Frequency response	4 Hz ~ 20 kHz, ± 1.0 dB
Signal to noise ratio	More than 98 dB
Dynamic range	More than 95 dB
Total harmonic distortion	Less than 0.005 % (at 1 kHz)
Channel separation	More than 85 dB (at 1 kHz)
Wow & flutter	Unmeasurable Limit
Output level/impedance	
Fixed	2.0 V/3.2 k Ω

General

Power consumption	15 W
Dimensions	W: 440 mm (17-5/16") H : 185 mm (7-5/16") D : 415 mm (16-5/16")
Weight (Net)	10.8 kg (23.8 lb)

KENWOOD follows a policy of continuous advancements in development. For this reason specifications may be changed without notice.

Note:

Component and circuitry are subject to modification to insure best operation under differing local conditions. This manual is based on the U.S.A. (K) standard, and provides information on regional circuit modification through use of alternate schematic diagrams, and information on regional component variations through use of parts list.

KENWOOD CORPORATION

14-6, Dogenzaka 1-chome, Shibuya-ku, Tokyo, 150 Japan

KENWOOD SERVICE CORPORATION

P.O. BOX 22745, 2201 East Dominguez St., Long Beach, CA 90801-5745, U.S.A.

KENWOOD ELECTRONICS CANADA INC.

6070 Kestrel Road, Mississauga, Ontario, Canada L5T 1S8

KENWOOD ELECTRONICS LATIN AMERICA S.A.

P.O. BOX 55-2791, Piso 6 plaza Chase, Cl. 47 y Aquilino de la Guardia Panama, Republic of Panama

TRIO-KENWOOD U.K. LIMITED

KENWOOD House, Dwight Road, Watford, Herts., WD1 8EB., United Kingdom

KENWOOD ELECTRONICS BENELUX N.V.

Meachelsesteenweg 418, B-1930 Zaventem, Belgium

KENWOOD ELECTRONICS DEUTSCHLAND GMBH

Rembrücker Str. 15, 63150 Heusenstamm, Germany

TRIO-KENWOOD FRANCE S.A.

13 Boulevard Ney, 75018 Paris, France

KENWOOD ELECTRONICS ITALIA S.p.A.

Via G. Sirtori, 7/9 20129, Milano, Italy

KENWOOD IBERICA S.A.

Bolivia, 239-08020 Barcelona, Spain

KENWOOD ELECTRONICS AUSTRALIA PTY. LTD. (A.C.N. 001499 074)

P.O. Box 504, 8 Figtree Drive, Australia Centre, Homebush, N.S.W. 2140, Australia

KENWOOD & LEE ELECTRONICS, LTD.

Unit 3712-3724, Level 37, Tower 1, Metroplaza, 223 Hing Fong Road, Kwai Fong N.T., Hong Kong

KENWOOD ELECTRONICS SINGAPORE PTE LTD.

No. 1 Genting Lane # 07-00, KENWOOD Building, Singapore, 1334

KENWOOD ELECTRONICS (MALAYSIA) SDN BHD

10th Floor, Block B, Wisma Semantan, No. 12 Jalan Gelenggang, Bukit Damansara, 50490 Kuala Lumpur, Malaysia