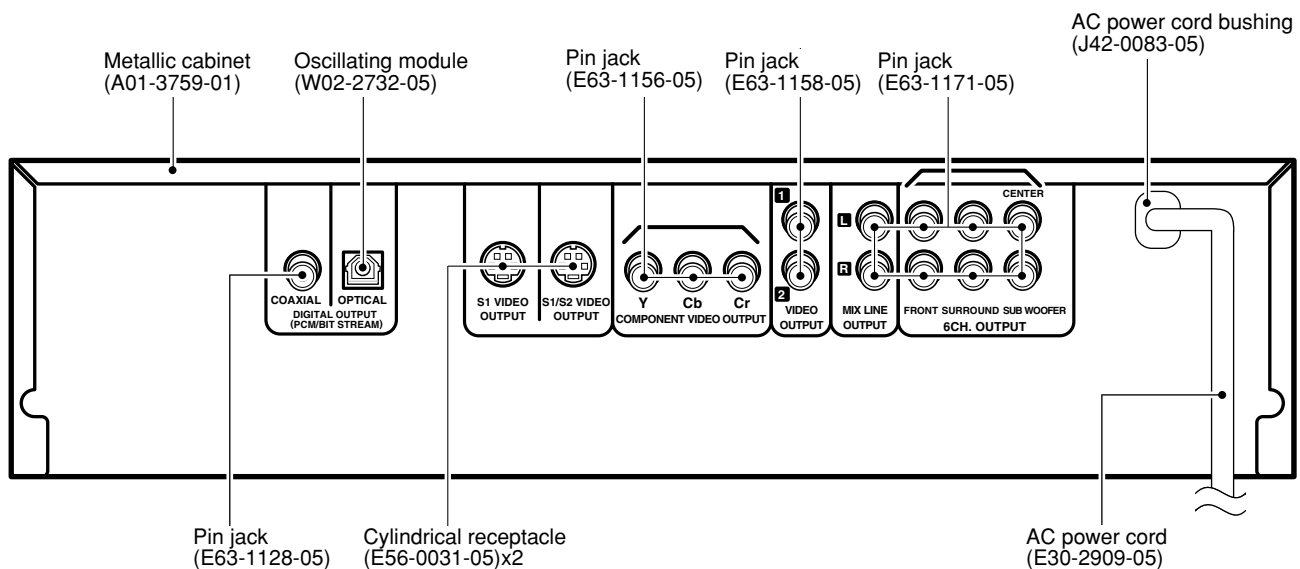
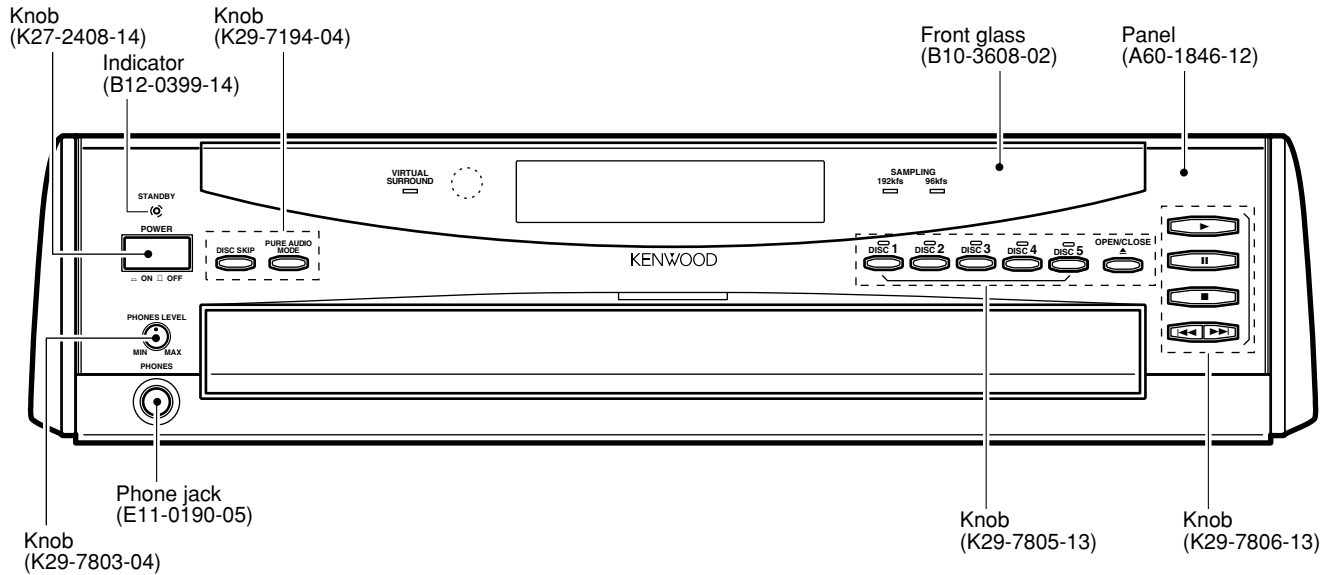


# DV-4070-B/4900

# DVF-R7030-B/R9030

## SERVICE MANUAL

© 2000-9/B51-5665-00 (K/K) 3473



**Illust. is DV-4900.**

In compliance with Federal Regulations, following are reproduction of labels on, or inside the product relating to laser product safety.

**Caution :** No connection of ground line if disassemble the unit. Please connect the ground line on rear panel, PCBs, Chassis and some others.

KENWOOD-Crop. certifies this equipment conforms to DHHS Regulations No.21 CFR 1040. 10, Chapter 1, subchapter J.

**DANGER : Laser radiation when open and interlock defeated. AVOID DIRECT EXPOSURE TO BEAM.**



# DV-4070-B/4900/DVF-R7030-B/R9030


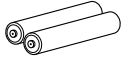
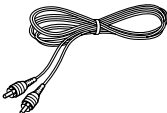
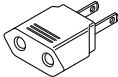
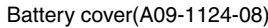



## CONTENTS / ACCESSORIES

### Contents

CONTENTS / ACCESSORIES .....	2	PC BOARD .....	19
DISASSEMBLY FOR REPAIR .....	3	SCHEMATIC DIAGRAM .....	23
CIRCUIT DESCRIPTION .....	5	EXPLODED VIEW .....	41
ADJUSTMENT .....	17	PARTS LIST .....	43
PARTS DESCRIPTIONS .....	18	SPECIFICATIONS .....	54


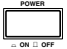
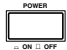
**Note: Please contact our KENWOOD Service Department in your side if you want the information; Main Microprocessor(MN10102LP25G),Sub Microprocessor(MN101C28C) ports explanation, D.R. I.V.E. II and SCART Circuit Description and full(previous) format Parts list on this model. You can be available them by internet from us.**

### Accessories

<p>Joystick remote control unit (1) (A70-1412-05)</p>  <p>Battery cover(A09-1124-08)</p>	<p>Batteries (R6/AA)(2)</p> 	<p>Video cable(1) (E30-1427-05)</p> 	<p>AC plug adapter (1) (E03-0115-05)</p>  <p>Use to adapt the plug on the power cord to the shape of the wall outlet. (Accessory only for regions where use is necessary.)</p>
<p>Audio cables(3) (E30-0505-05)</p> 	<p>Optical fiber cable(1) (B19-1529-05)</p> 	<p>S Video cable(1) (E30-2956-05)</p> 	<p>Instructoin manual/ separate User's Guide (1)</p> 


### Malfunction of Microcomputer

In case the microcomputer malfunctions, making operations impossible or showing wrong messages on the display even if you connected everything properly. When the microcomputer malfunctions, perform the following procedure to reset the microcomputer and return it to the normal condition.

- While holding  on the player main unit, press  .
  - The display on the main unit shows blinking "INIT" (initializing), then shows "INIT OK!" (Initialization OK) to indicate that the microcomputer is reset.
  - Press  on the main unit to turn it off, then press it again to turn it on.
- The resetting clears the setups stored in the microcomputer and returns it to the factory-set initial condition. After resetting, you should perform the various setups of the player again from the beginning.

### Transport or moving precautions

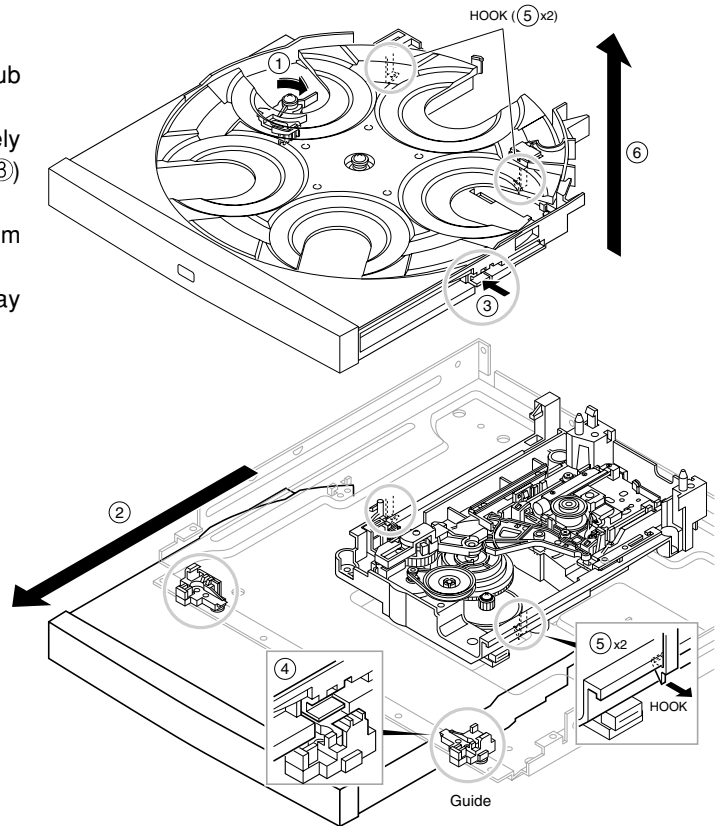
When transporting or moving the player, first remove the disc and observe the following procedure.

- Turn the player power on.
- Wait for a few seconds, until the display shows "**NO DISC**".
- Turn the player power off by pressing  .

## DISASSEMBLY FOR REPAIR

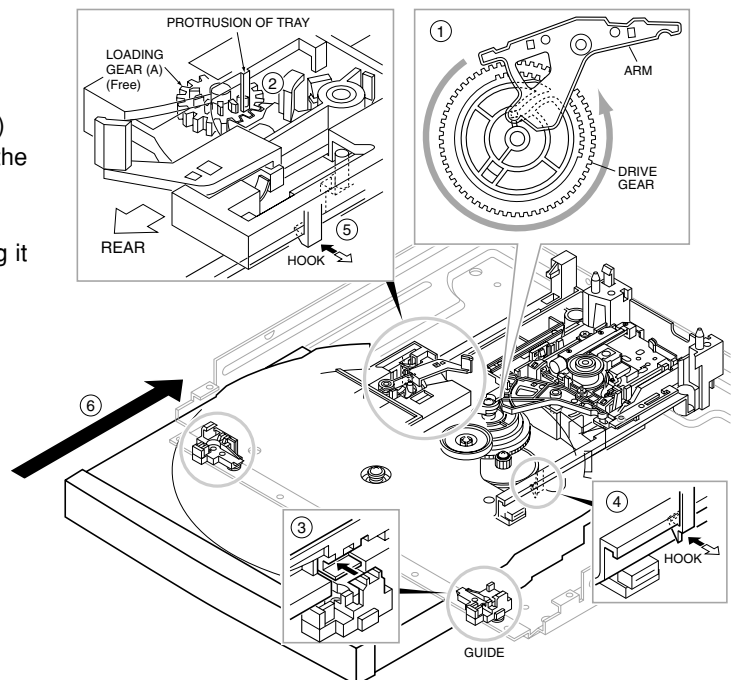
### 1. How to Remove Tray

1. Remove the front panel and flexible cable.  
Disassemble the X25 and power supply pcb with sub chassis if it is a difficult.
2. Push and hold the lever (1) to clockwise and pull barely out the tray to frontwards (2) where the hook of tray (3) meets with guide (4).
3. Push hooks (3), both sides, inwards and release them from guides (4).
4. Pull hooks of tray (5) outwards and remove the tray upwards (6).



### 2. How to Assemble Tray

1. Adjust the position of drive gear as figure (1).  
Check traverse unit is at the lowest position.
2. Load the tray on the loading mechanism.  
Check the position where the loading gear (A) is free (2).
3. Meet the hooks with guides and push hooks to load the tray (3).
4. Set the right side hook to loading mechanism (4).
5. Set the left side hook to loading mechanism with pulling it outwards (5).
6. Push the tray backwards (6).

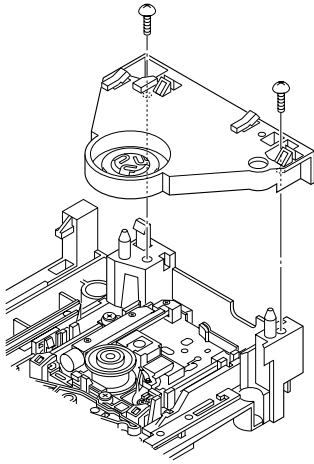


# DV-4070-B/4900/DVF-R7030-B/R9030

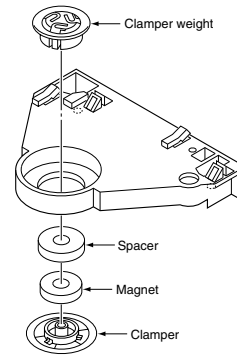
## DISASSEMBLY FOR REPAIR

### 3. How to Remove Clamper Ass'y

1. Remove screws.

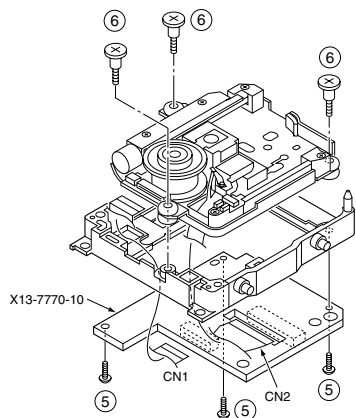
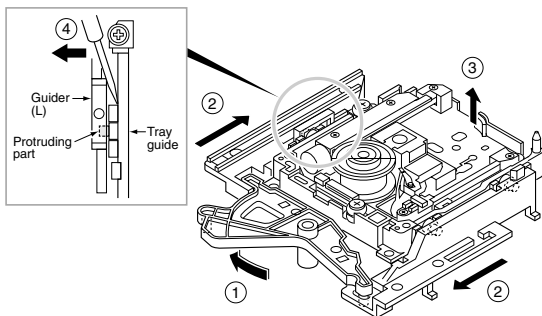


### 4. How to Disassemble Clamper Ass'y



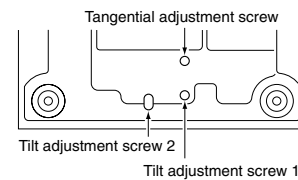
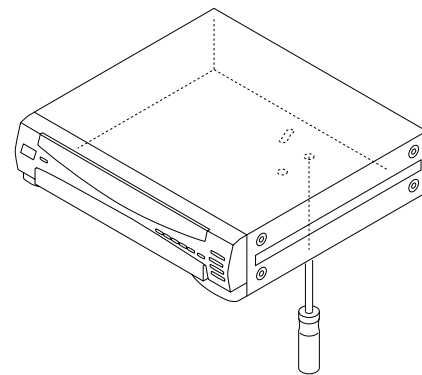
### 5. How to Disassemble Traverse Unit

1. Move the traverse to upward by turning motor pulley (①~③).
2. Make the gap between the tray guide and guider(L) with driver(④)
3. Remove the screws(⑤, ⑥).

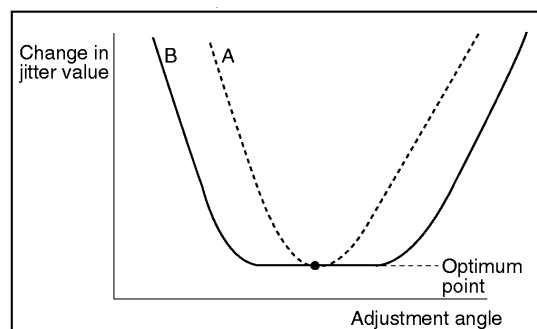


### 6. Tangential and Tilt Adjustment

1. Turn the power on with pressing the DISC 1 key. (Display shows "INSPECTION"; test mode.)
2. Press the DISC1 key in playback mode again. Display shows "Jitter \*\*\* %"
3. Turn off if cancel test mode.



REAR



- Jitter value depends on the model:
  - (1) If the jitter value changes like A, the optimum point is easy to find.
  - (2) If the jitter value changes like B, set the optimum point near the middle.

# DV-4070-B/4900/DVF-R7030-B/R9030

## CIRCUIT DESCRIPTION

### MAIN MICROPROCESSOR: MN102LP25G(X35,IC500)

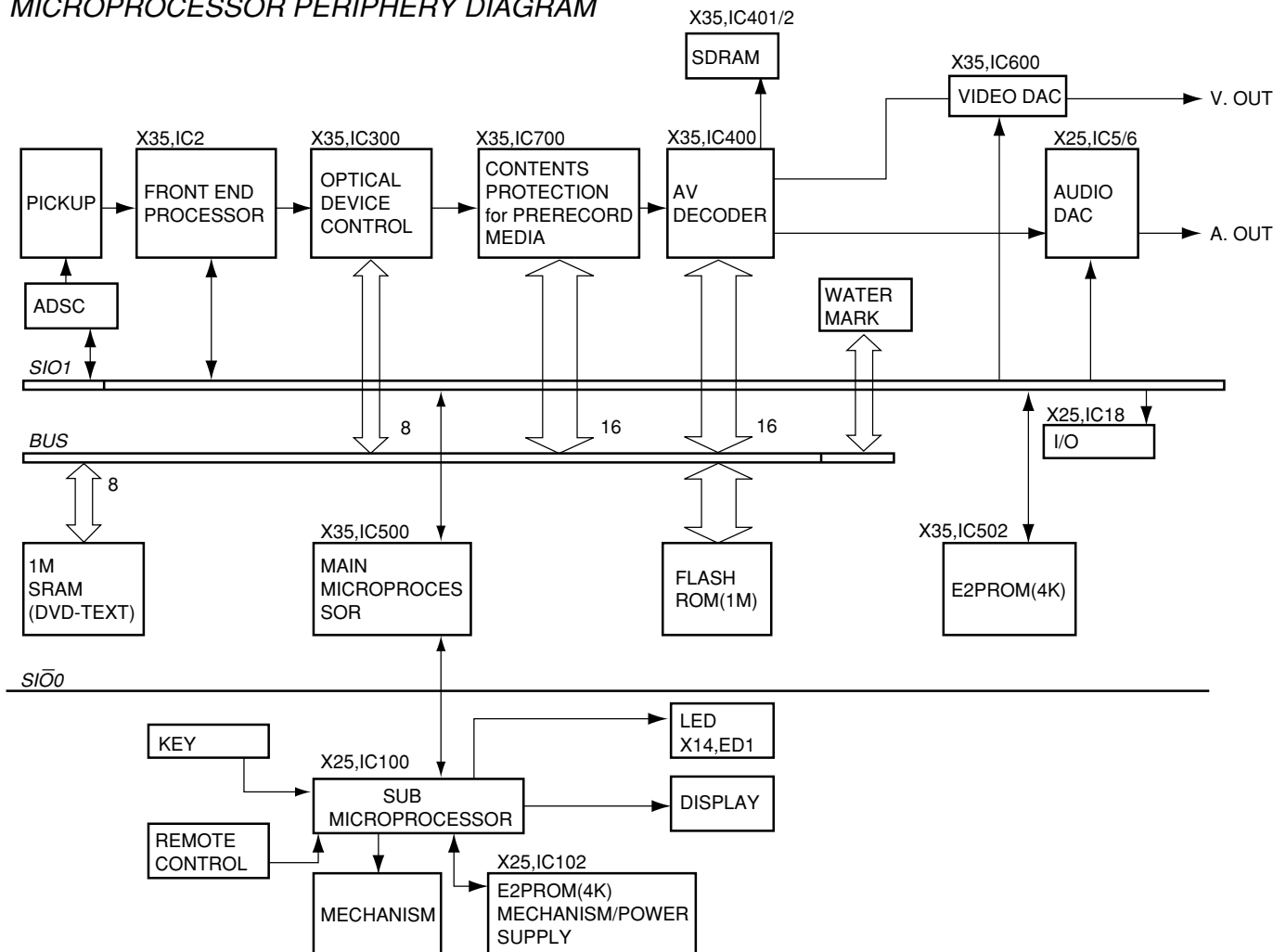
Port No.	Port Name	I/O	Description
1	WAIT	O	Optical Device Control(ODR) wait
2	NRD	O	Read(RD) port for ODC/AV
3	-	-	No use
4	NWA	O	write(WR)
5	RAMCS	O	Chip Select(CS) Flash RAM
6	ODCCS	O	Chip Select(CS) ODC
7	AVCS	O	Chip Select(CS) AV decoder
8	RAMCS	O	Chip Select(CS) DRAM for TEXT buffer
9	SCLOCK	O	Clock of Video DAC(ADV7172)
10	SDATA	O	Data of Video DAC(ADV7173)
11	FRD	O	Read(RD) port for Flash ROM
12	MODE2	I	H: Chip Select 0, 8bit bus
13-16	CPUADR0-3	O	Address A(0-3)
17	Vdd	I	+5V
18	SYSCLK	O	AV decoder HCLK
19	Vss	O	GND
20	XI	I	Clock input port
21	XO	O	Clock output port
22	Vdd	I	+5V
23	CLK	I	13.5MHz clock input port
24	OSCO	O	No use
25	MODE2	I	CPU mode: H=Memory enhanced mode
26-33	CPUADR4-11	O	Address A(4-11)
34	Vdd	I	+5V
35-42	CPUADR12-19	O	Address A(12-19)
43	Vss	-	GND
44	196BSY	I	Busy of writing jig
45	256BSY	O	Busy of unit
46	ATTN	O	Analog output attenuator L: active
47	-	-	No use
48	KMODE	I	writing mode. H=writing. L=normal.
49	AMUTE	O	Audio mute
50	ADSCEN	I	CIRC enable
51	-	O	No use
52	SLEEP	O	Front End Processor(AN8825) standby
53	FRNTH	O	Front DAC selector. H=front.
54	Vdd	-	+5V
55	FEPEN	I	Front End Processor SEN
56	CLKSEL	O	Sampling frequency selector. L=44,88,176kHz, H=48,96,192kHz
57	STBDAC2	O	DAC2(AK4393) Strob
58	STBSP	O	Serial/parallel(NJU3711) Strob
59	STBDAC1	O	DAC1(AK4393) Strob
60	ADSC	O	Advanced Digital Servo Control serial data transfer.
61	Vss	O	GND
62	-	O	No use
63	XS	O	Chip Select of E2PROM
64	SCSIEN	O	Enable control of writing jig. L=enable
65	DARK-DET	I	Video signal check by Y-signal
66	Vdd	I	+5V
67	SCLKO	O	Sub-microprocessor clock
68	SIO	I	Sub-microprocessor data input
69	SOO	O	Sub-microprocessor data output
70	SCLKI	O	Clock for every lcs

# DV-4070-B/4900/DVF-R7030-B/R9030

## CIRCUIT DESCRIPTION

Port No.	Port Name	I/O	Description
71	S11	I	Data input for every ICs
72	S01	O	Data output for every ICs
73,74	PUP	I	No use. Pull up
75	NMI	I	Pull up.
76	ADSCINT	I	Interrupt of Advanced Digital Servo Control
77	ODCINT	I	Interrupt of Optical Device Control.
78	AVINT	I	AV decoder XHINT.
79	ICRST	O	Reset for every lcs. H=reset.
80	STBDAC3	O	Standby of DAC3
81	-	I	Address/data mode. Pull up=address/data separate.
82	RST	I	Reset
83	Vdd	I	+5V
84-91	CPUDATA0-7	I/O	Data bus(0-7)
92	Vss	O	GND
93-100	CPUDATA8-15	I/O	Data bus(8-15)

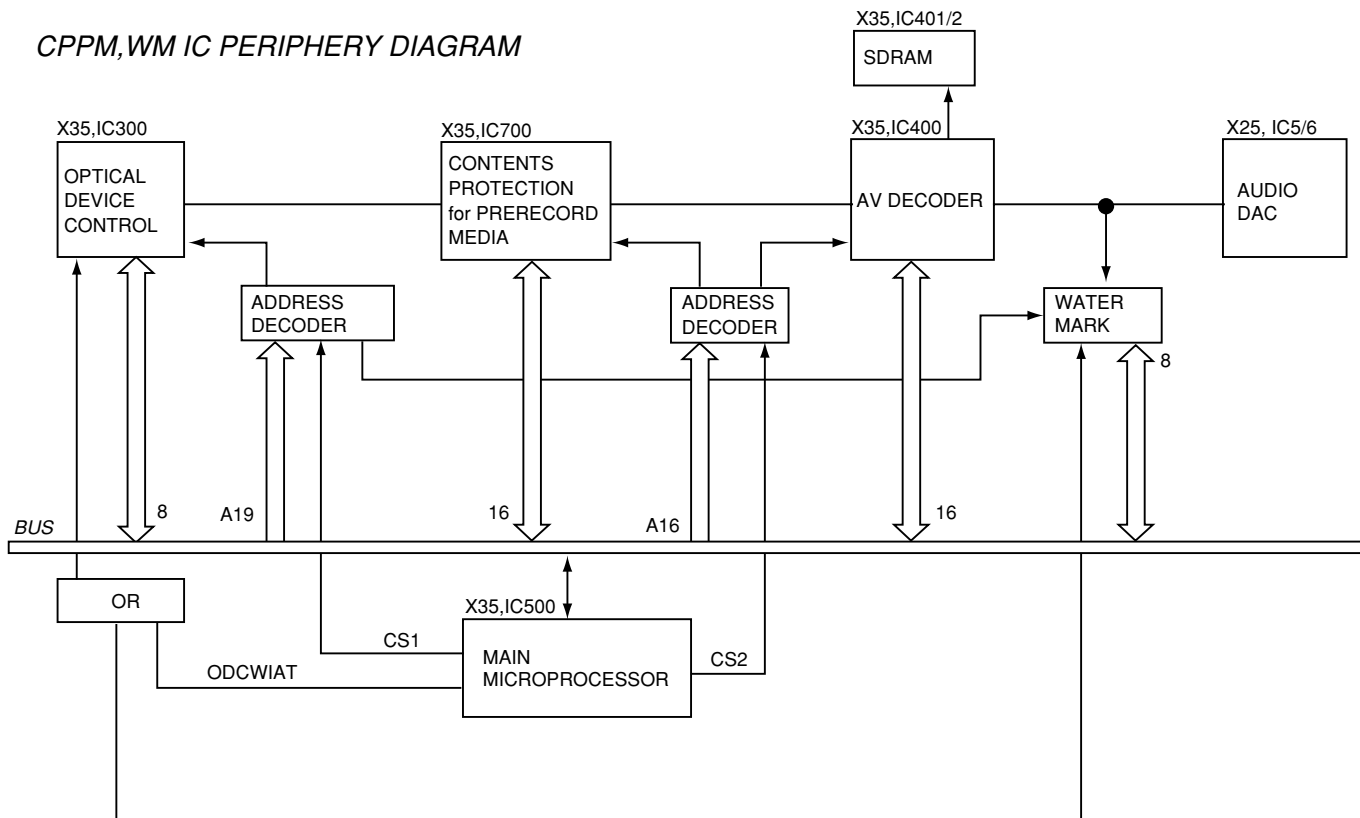
### MICROPROCESSOR PERIPHERY DIAGRAM



# DV-4070-B/4900/DVF-R7030-B/R9030

## CIRCUIT DESCRIPTION

CPPM,WM IC PERIPHERY DIAGRAM



### INITIALIZATION

Turn power-on with pressing the STOP key. You can separate from initialization mode if pull out the ac power cord.

	<b>Step function</b>	<b>Remarks</b>
1	POWER-ON	Display shows blinking "INITI"
2	CD-TRAY CLOSE.	
3	DISC-POSITION-SW ON	
4	ROTARY-SW ON	
5	TRAVERSE-UNIT	
6	RAM & BACKUP INITIALIZE	Display shows "INITI_OK" if no trouble. "INITI_NG if any trouble.

### SUB MICROPROCESSOR:MN101C28C(X25,IC100)

Port No.	Port Name	I/O	Description
1	VREF-	O	Negative reference voltage for AD converter.
2-4	KEY0-2	I	Key input for AD
5,6	KEY3,4	O	No use
7	KISYU	I	Model selector
8,9	KID0,1	I	Destination selector
10	VREF+	O	Positive reference voltage for AD converter.
11	Vdd	O	+5V
12	OSC2	I	Clock input,10MHz

# DV-4070-B/4900/DVF-R7030-B/R9030

## CIRCUIT DESCRIPTION

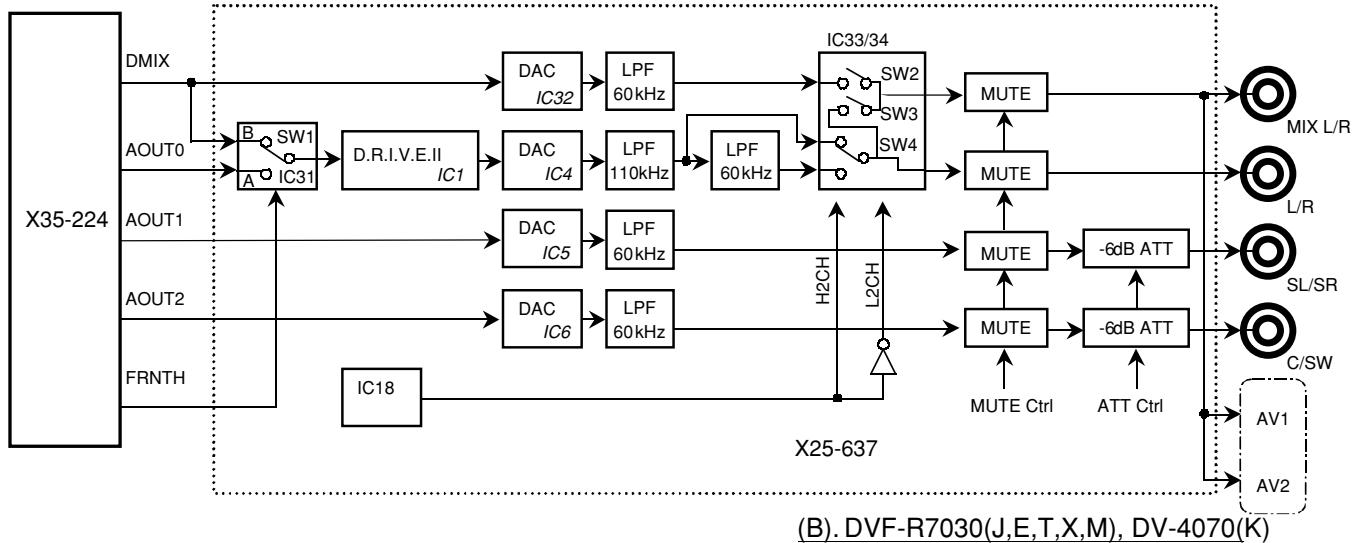
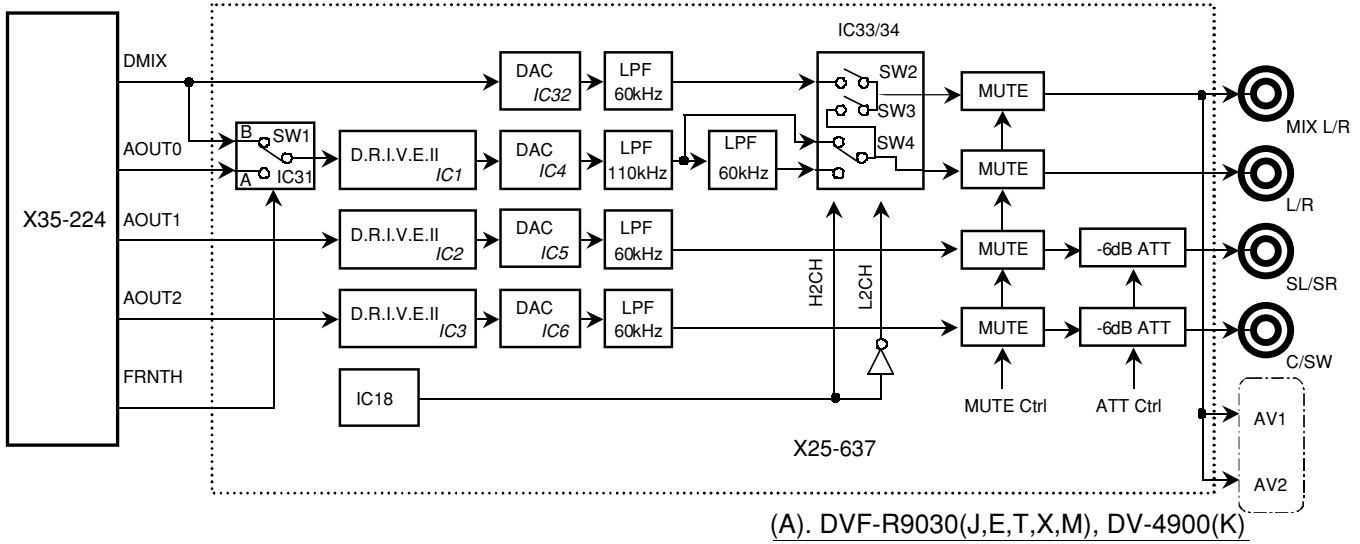
Port No.	Port Name	I/O	Description
13	OSC1	O	Clock output
14	Vss	O	GND
15	XI	I	No use
16	XO	O	No use
17	MMOD	I	GND
18	TXD0	O	SIO0 data output port. Main processor contact.
19	RXD0	I	SIO0 data input port. Main processor contact.
20	SCK0	O	SIO0 clock
21	SB01	O	SIO1 data output port. FL driver contact.
22	SB11	I	SIO1 data input port. FL driver contact.
23	SCK1	I	SIO1 clock
24	FLCE	O	FL chip enable.
25	RESET	I	CPU reset.
26	E2CS	O	No use
27	P11	O	No use
28	MECHAVR	O	Mechanism PCM output.
29	P13	O	No use
30	LED DM	O	No use
31	REMOCON	I	Remocon code input.
32	POS SEN	O	Mecahnism position sensor
33	MECHA FG	I	Mecahnism frequency generator(FG) signal input.
34	OPEN SW	I	Tray open switch sensor.
35	CLOSE SW	I	Tray close switch sensor.
36	12C SDA	O	IC400 control (I2C data). Scart drive/E2ROM
37	SB12	O	No use
38	12C SDC	O	I2C clock.
39,40	P33,34	O	No use
41	TM+	O	Tray motor positive port.
42	TRM-	O	Tray/rotary motor common port.
43	RM+	O	Rotary motor positive port.
44	RGBL	O	Y signal.
45	AOP	O	Video signal selector. AOP=Pure Audio Mode.
46	YCBH	O	H=scart color-difference signal. L=RGB.
47	TRAY OPEN	O	No use
48	TRAY CLOSE	O	No use
49	POWER	O	H=on. L=power off.
50	FL OFF	O	No use
51	WIDE1	O	H=squeeze. L=letter box. L=normal.
52	WIDE2	O	H=squeeze. H=letter box. L=normal.
53	C OFF	O	C-signal of YC-signal on/off. H=on. L=off.
54-56	P52-54	O	No use
57	CE	O	Power chip enable.
58-60	P61-63	O	No use
61-68	LED18-11	O	No use
69	POWER LED	O	Power LED(D9).
70	96kHz	O	96kHz LED(D7).
71	DISC2	O	Disc 2 LED(D2).
72	DISC4	O	Disc 4 LED(D4).
73	VSS LED	O	Vss LED(D6).
74	AOP LED	O	AOP LED(D15).
75	SHOWER	O	Shower LED(D14).
76	192kHz	O	192kHz LED(D8)
77	DISC1	O	Disc 1LED(D1)
78	DISC3	O	Disc 3 LED(D3).
79	DISC5	O	Disc 5 LED(D5).
80	POWER MUT	O	Power mute.



# DV-4070-B/4900/DVF-R7030-B/R9030

## CIRCUIT DESCRIPTION

### D.R.I.V.E. II SIGNAL PATH



\* SCART terminals(AV1,2) are available for European model only.

#### Media vs SWITCHES

Media	SW1	SW2	SW3
DVD-Audio (fs: 192kHz,176.4kHz), VCD, CD-DA	A	off	on
Normal DVD, DTS-CD, 2-ch Speaker setting	B	on	off
Normal DVD, DTS-CD, More than 3-ch Speaker setting	A	on	off

Low Pass Filter	Media	SW4
110kHz	DVD-Audio (fs:192kHz,176.4kHz)	A
	Others	B
60kHz	All	B

#### ATT Ctrl

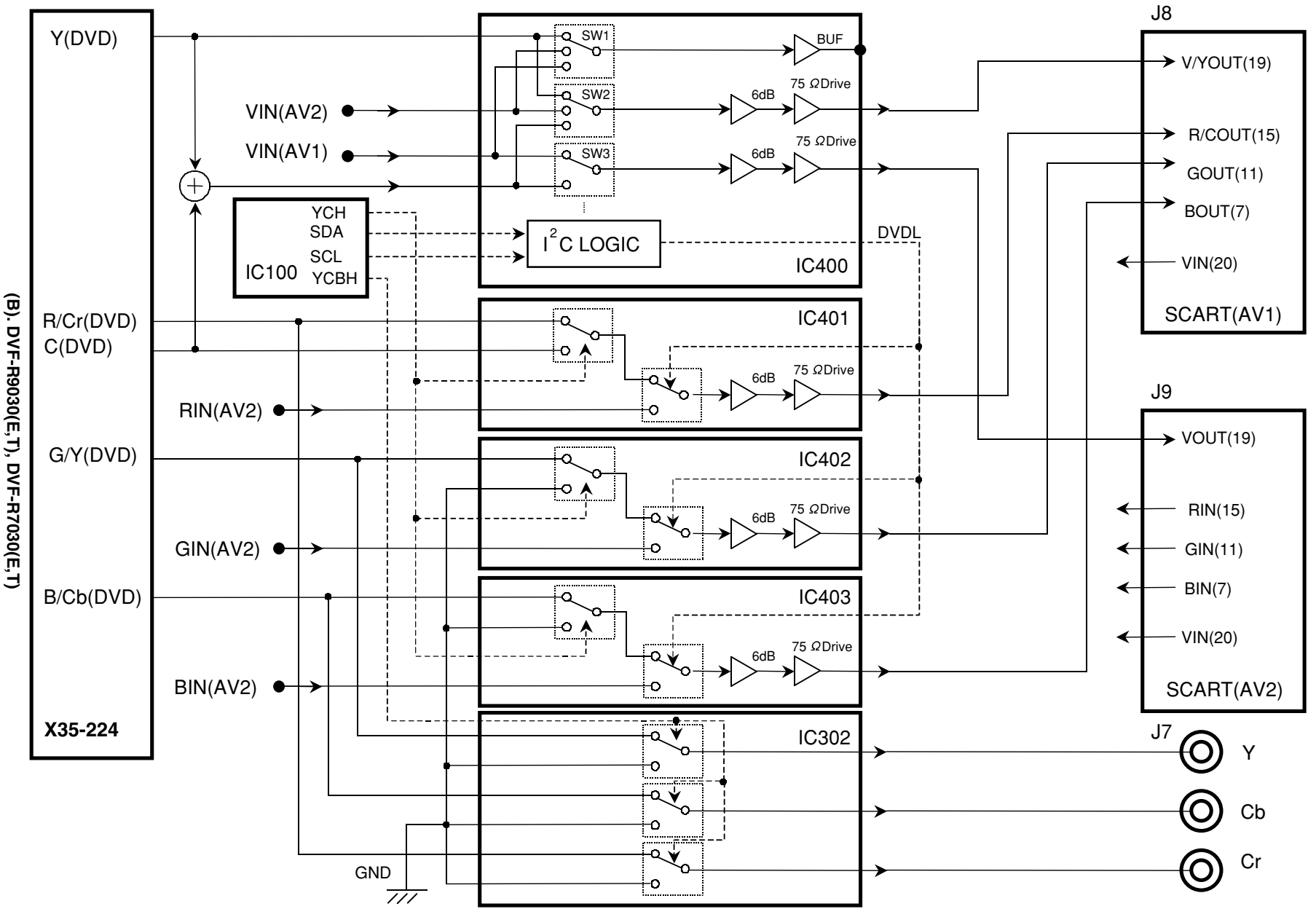
Display	ATT	AV Decoder
0dB(factory setting)	ON(-6dB)	0dB
±1-6dB	OFF(0dB)	0 ~ -5dB, -7 ~ -12dB
-6dB	*	-6dB

\* More than 1-ch is changed level.

# DV-4070-B/4900/DVF-R7030-B/R9030

## CIRCUIT DESCRIPTION

SIGNAL PATH IN SCRT PCB



(B), DVF-R9030(E,T), DVF-R7030(E,T)

# DV-4070-B/4900/DVF-R7030-B/R9030

## CIRCUIT DESCRIPTION

### RELATION OF IN/OUT ON VIDEO SIGNAL

Condition	In-SIGNAL	OUT		
		AV1(J8)	AV2(J9)	RGB(J7)
Composite	Y,C(IC600:X35)	#19(V/Y out)	#19(V out)	-
S-Video	Y,C(IC600:X35)	#19(V/Y out), #15(RC out)	-	-
RGB	RGB(IC600:X35)	#15(R/C out), #11(G out), #7(B out), #19(V/Y out)	#19(V out)	-
Standby	<VA2> #20(V in), #15(R in), #11(G in), #7(B in)	#15(R/C out), #11(G out), #7(B out), #19(V/Y out)	IN-SIGNAL	-

### RELATION OF IN/OUT ON AUDIO SIGNAL

Condition	In-SIGNAL	OUT		
		AV1(J8)	AV2(J9)	RGB(J7)
Power on	DVD MIX-OUT	#1(A[B]out), #3(A[A]out)	#1(A[B]out), #3(A[A]out)	-
Standby	DVD MIX-OUT		#2(A[B]in), #6(A[A]in)	-
			#1(A[B]out), #3(A[A]out)	-

Condition	BLK(#16, AV1)
RGB	5V(no load)
Other	0V
Standby	#16 of AV2:through

Condition	FVNC SW (#8,AV1)
16:9 TV PLAY	6V
Other	11V
Standby	#16 of AV2:through

# DV-4070-B/4900/DVF-R7030-B/R9030

## CIRCUIT DESCRIPTION

### TEST MODE

This model has 3 kind of test modes; unit inspection, factory test mode, measurement. In this manual, items of repair, test mode and inspection are available.

#### Setting

Turn power on with pressing "PAUSE" key. Display shows "TEST".

Turn power on with pressing "DISC1" key. Display shows "INSPECTION".

#### Cancellation of Setting

Turn power off.

#### Key vs Function

Keys which described in the following table work as it is.

### TEST MODE

Key	Mode	Display	Operation
PLAY	-	Playback time	Disc Playback
SKIP-UP	STOP	All segments light → Niagara mode→ Playback time→	Display shows cyclically by pressing key
SKIP-UP	PLAYBACK	Playback time	Playback next chapter/track #/program #
SKIP-DOWN	PLAYBACK	Playback time	Playback before chapter/track #/program #
STOP	-	Time	Stop to operate and return to first step of this test mode.
PAUSE	Playback DAD-VIDEO	Track #	Playback program-playback automatically. Order of playback: T# 1-1→ 4-1→ 4-2→ 4-3→ 4-4→ 3-6. UP/DOWN keys acceptable.
DISC1	Playback CD	Track #	Playback program-playback automatically. Order of playback: T# 2→ 3→ 7→ 4→16. UP/DOWN keys acceptable.
DISC2	PLAYBACK	MUTE ON → MUTE OFF	Mute works cyclically on or off.
DISC3	-	LPF 60k →LPF 110k	Speaker protection works cyclically on or off.(Cut-off freq. Change 60k or 110k)
DISC4	-	WIDE1→WIDE2 └NORMAL┘	WIDE mode changes cyclically WIDE1 or WIDE2.
DISC5	-	SCART RGB→SCART YC→SCART Through	Video signal of SCART changes cyclically RGB(DVD)→Y/C(DVD)→Through(AV1↔AV2)
DISC SKIP	-	OK or IC***	Self check mode(refer to Servo Error Code)
		IC 100 ERROR	ADSC Defective.
		IC 2 ERROR	FEP Defective.
		IC 300 ERROR	ODC Defective.
IC 400 ERROR	AV DEC Defective.		
STOP+DISC1	STOP		Rotary turns clockwise.
STOP+DISC2	STOP		Rotary turns counter clockwise.
STOP+DISC3	STOP		Tray opens
STOP+DISC4	STOP		Tray closes

## CIRCUIT DESCRIPTION

### INSPECTION

Key	Mode	Display	Operation
PLAY	-	Playback time	Disc Playback
SKIP-UP	STOP	All segments light → Niagara mode→ Playback time→	Display shows cyclically by pressing key
SKIP-UP	PLAYBACK	Playback time	Playback next chapter/track #/program #
SKIP-DOWN	PLAYBACK	Playback time	Playback before chapter/track #/program #
STOP	-	INSPECTION	Stop to operate and return to first step of this inspection mode.
STOP	STOP	Model/destination/re gion code	Stop to playback and return to first step of this test mode.
DISC1	PLAYBACK	Jitter ***%	Shows jitter value(binary value vs time deviation of PLL-clock)
DISC2	-	CPPM KEY ID	15 figures.
DISC4	-	WIDE1→WIDE2 └NORMAL┘	WIDE mode changes cyclically WIDE1 or WIDE2.
DISC5	-	SCART RGB→SCART YC→SCART Through	Video signal of SCART changes cyclically RGB(DVD)→Y/C(DVD)→Through(AV1↔AV2)

### ERROR CODE OF MECHANISM

DISPLAY	CONTENTS	REASON	CANCELING KEY	REMARKS
E1001	No contact with main processor	Main processor doesn't work Sio-0 bus damaged	No	
E1101	Poor disc chucking	No right position of rotary Foreign matter inserted	No	
	No cancellation of chucking	No right position of rotary Foreign matter inserted	No	
E1102	No turn of rotary	Foreign matter inserted	OPEN/CLOSE or DISC SKIP	
E0101	No open	Mechanism jam	CLOSE	Initialization
No show	No Close	Mechanism jam		Initialization
E0102	Playing Disc inside	Disc full load Not stop to turn the proper position	NO	Remove the one disc after turn power off
E0103	No detection of disc position	Load disc at no proper position Foreign matter inserted at sensor	OPEN/CLOSE or DISC SKIP	Check the sensor of discs on the rotary.
No show	Waiting	Turn power off in open/close mode.	CLOSE	Press the CLOSE key after turn the power on again.

## CIRCUIT DESCRIPTION

### ERROR CODE OF CIRCUIT BY SELF CHECK MODE (TEST MODE)

DEFINITION	CONTENTS	CODE	BLOCK	TIMING
<i>ODC(Optical Device Control)</i>				
MOD_NOT_CRCOK	No CRCOK signal	0x4303	(ADSC,ODC,disc ,pickup)	Read address error at lead in or focus jump.
MAS_ECC_ERR	Abnormal ODC	0x4301	ODC	No emission OK on disc and host in 5 secs.
LAYER_CMP_ERR	Abnormal LAYER in seek mode	-	(ADSC,ODC,disc ,pickup)	
OUT_PB_AREA_NG	OUT of PB AREA	-		
DATA_TR_PLAY_NG	DATA Track Play	-		
SEEK_NG_CHGNV	No data caused seek error	-		
UNCORRECT_ERR	No control data by demodulator error	-		
INVALID_CMD_ERR	Out of sector ID	0xD601	ODC,disc	Over data from disc(DVD : 0xFFFF)(VCD : 00:02:00 less)(CD : 0xFFFF)
UNCORRECT_LEADIN	No lead-in data by demodulator error	0xD602		Time over in lead-in.
UNCORRECT_KEYDET	No lead-in data by demodulator error	0xD603		

DEFINITION	CONTENTS	CODE	BLOCK	TIMING
<i>SERVO</i>				
TRAY_LOADING_ERR	Tray Loading Error.	0x4000	ADSC, TRAY Mechanism, Motor LSI	DCM_TRAYCTL_T(time out 5secs)
FOCUS_SVERR	Focus Servo Error.	0x4100	ADSC, pickup & actuator, Driver LSI	DCM_FCON_T(time out 5secs), Lock NG, NG of seek.
SPINDLE_SVERR	Spindle Servo Error.	0x4101	ADSC, Driver LSI, disc Motor	DCM_DMON_T(time out 10 secs),Time out of checking stop,Time out of start to turn.
DSC_DM_ERR	DSC Disc Motor Error. Abnormal FG-period in DVD, Abnormal turn of disc motor,	0x4102	ADSC, Driver LSI, disc Motor	DCM_DMOF_T(time out 10secs), DCM_DMMODE_T(time out100ms) Abnormal turn of disc motor.,
CDC_CLV_ERR	6626 CLVS Failure. Abnormal FG-period in CD	0x4103	ADSC, Driver LSI, disc Motor	DCM_DMOF_T(time out 10secs) Setting abnormal CLV
TRAVERSE_ERR	Traverse Motor Error.	0x4104	ADSC, Driver LSI, feed Motor	DCM_INNER_T(time out 5secs)
TRACK_SVERR	Tracking Servo Error	0x4105	ADSC, pickup & actuator, Driver LSI	DCM_TRON_T(time out 1sec) Command error,Focus jump Lock NG (ReSartServo) NG of
SEEK_TIMEOUT_ERR	Seek Time Out Error	0x4106	ADSC, pickup & actuator, Driver LSI	Over 200 seek times
DSC_ERROR	DSC Error (status data error)	0x4200	ADSC	Command error
DSC_NOTREADY	DSC Not Ready Error	0x4201	ADSC	ADSC REDY time out
DSC_TIM_ERR	DSC TimeOut Error.	0x4202	ADSC	Over of CLV OK Over of command end
DSC_COM_ERR	DSC Communication Failure.	0x4203	ADSC	No use
DSC_ATN_ERR	DSC Attention Error.	0x4205	ADSC	Error of CD-trick play and CD/DVD seek. FC jump in DVD-play.
INVALID_MDTYP	Out of Media	0x4300	ADSC	No check of media, Error after servo retry. Abnormal disc.
DONOT_QREAD_ERR	6626 QCODE do not Read Error.	0x4302	ADSC	Read error in Cue or Rev play of CD
DSC_ESCAPE	DSC Command Escape	-	ADSC	Stop servo operation after setting the ESC flug in mode register of ADSC.
<i>FEP</i>				
FEP_IC_ERR	Adjustment error on data slice offset	0x4204	ADSC ,FEP	jitter and data slice offset adjustment error

## CIRCUIT DESCRIPTION

DEFINITION	CONTENTS	CODE	BLOCK	TIMING
<i>DISC</i>				
DISERR_UDF	UDF Bridge NG	0x2100	Disc format	1. No CD-ROM Volume Descriptor Set, No Primary Volume Descriptor 2. No Beginning Extended Area Descriptor 3. No NSR Descriptor of "NSR02" 4. Length error of Main Volume Descriptor Sequence 5. Directry of length error on VIDEO_TS/AUDIO_TS after root
DISERR_TT_SRP_NO	TT_SRP=0	0x2111	Disc format	
ISERR_TT_SRP_OVER	Value >TT_SRP	0x2112	Disc code	
DISERR_TT_SRP_MISS	SRP is not meet with VTSN or VTS TTN	0x2113		
DISERR_TT_SRP_PTT_OVER	Value >TT_SRP.PTT_Ns	0x2114		
DISERR_TTU_SRP_NO	TTU_SRP=0	0x2120		
DISERR_TTU_SRP_OVER	Value >TTU_SRP	0x2121	Disc code	
DISERR_PGCI_SRP_NO	PGCI_SRP=0	0x2131	Disc format	
DISERR_PGCI_SRP_OVER	Value>PGCI_SRP	0x2132	Disc code	
DISERR_TMAP_SRP_OVER	Value>TMAP_SRP	0x2141		
DISERR_TMAP_SA_NO	TMAP_SA=0	0x2142		
DISERR_TMAP_EN_NO	MAP_EN=0	0x2143	Disc format	
DISERR_PGC_PGMAP_NO	C_POSIT is OK, No PGMAP in PGC	0x2150		
DISERR_PGC_PG_NO	C_POSIT is OK, PG=0 in PGC.	0x2151	Disc code	
DISERR_PGC_PG_OVER	Value >PG in PGC	0x2152		
DISERR_PGC_C_PBIT_NO	C_POSIT is OK, No C_PBIT in PGC	0x2153	Disc format	
DISERR_PGC_C_NO	C_POSIT is OK, Cell=0 in PGC	0x2154		
DISERR_PGC_CN_NO	Cell=0	0x2155		
DISERR_PGC_C_OVER	Value >Cell in PGC	0x2156	Disc code	
DISERR_PGC_BLK_NO	Block Cell only	0x2157	Disc format	
DISERR_SEARCH_CN_NO	No Cell# in search.	0x2160		

# DV-4070-B/4900/DVF-R7030-B/R9030

## ADJUSTMENT

No.	ITEM	INPUT SETTING	OUTPUT SETTING	ALIGNMENT POINT	ALIGNMENT FOR	FIG.
1	Y,Cb,Cr LEVEL	100% COLOR BAR DISC	Connect the oscilloscope to Y output with 75-ohms resistor	VR601	Y-signal = 1000mV ±30mV	FIG.1
2	Y LEVEL	100% COLOR BAR DISC	Connect the oscilloscope to COMPOSIT output with 75-ohms resistor	VR600	COMPOSIT-signal = 1000mV ±30mV	FIG.2
<i>You need the step 1 and 2 before next step 3</i>						
3	CHROM LEVEL	100% COLOR BAR DISC	Connect the oscilloscope to COMPOSIT output with 75-ohms resistor	VR602	Chrom-signal = 285mV ±14mV	FIG.3

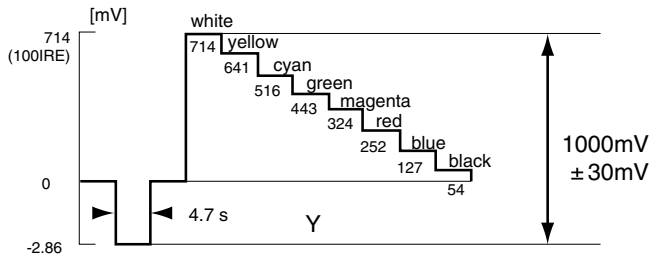


Fig. 1

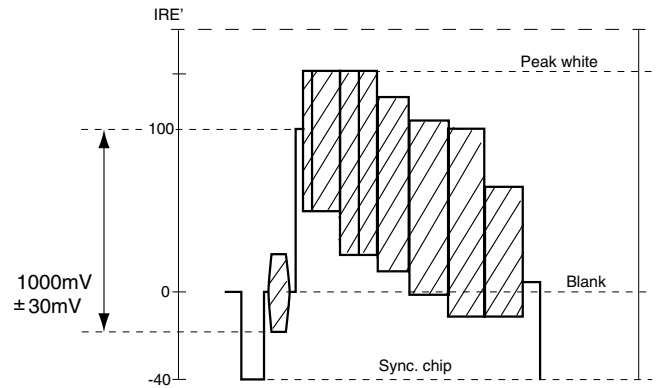


Fig. 2

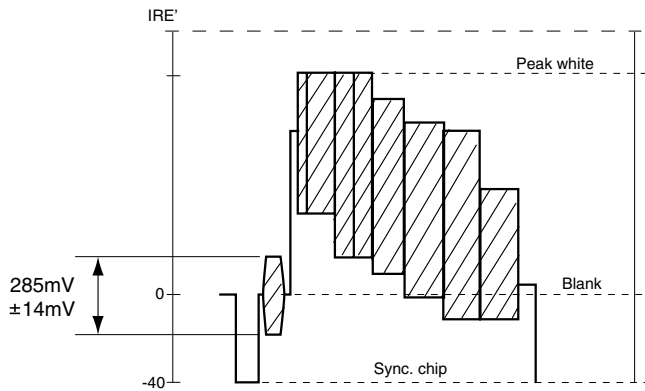


Fig. 3



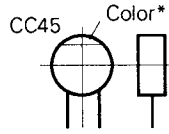
# DV-4070-B/4900/DVF-R7030-B/R9030

## PARTS DESCRIPTIONS

### CAPACITORS

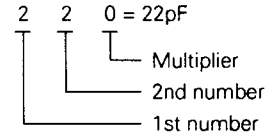
CC 45 TH 1H 220 J  
 1 2 3 4 5 6

- 1 = Type ... ceramic, electrolytic, etc.
- 2 = Shape ... round, square, ect.
- 3 = Temp. coefficient
- 4 = Voltage rating
- 5 = Value
- 6 = Tolerance



#### • Capacitor value

- 010 = 1pF
- 100 = 10pF
- 101 = 100pF
- 102 = 1000pF = 0.001μF
- 103 = 0.01μF



#### • Temperature coefficient

1st Word	C	L	P	R	S	T	U
Color*	Black	Red	Orange	Yellow	Green	Blue	Violet
ppm/°C	0	-80	-150	-220	-330	-470	-750

2nd Word	G	H	J	K	L
ppm/°C	±30	±60	±120	±250	±500

Example : CC45TH = -470 ± 60ppm/°C

#### • Tolerance (More than 10pF)

Code	C	D	G	J	K	M	X	Z	P	No code
(%)	±0.25	±0.5	±2	±5	±10	±20	+40 -20	+80 -20	+100 -0	More than 10μF -10 ~ +50 Less than 4.7μF -10 ~ +75

#### (Less than 10pF)

Code	B	C	D	F	G
(pF)	±0.1	±0.25	±0.5	±1	±2

#### • Voltage rating

2nd word	A	B	C	D	E	F	G	H	J	K	V	
1st word	0	1.0	1.25	1.6	2.0	2.5	3.15	4.0	5.0	6.3	8.0	-
1	10	12.5	16	20	25	31.5	40	50	63	80	35	-
2	100	125	160	200	250	315	400	500	630	800	-	-
3	1000	1250	1600	2000	2500	3150	4000	5000	6300	8000	-	-

#### • Chip capacitors

(EX) C C 7 3 F S L 1 H 0 0 0 J  
 1 2 3 4 5 6 7

(Chip) (CH, RH, UJ, SL)

Refer to the table above.

(EX) C K 7 3 F F 1 H 0 0 0 Z  
 1 2 3 4 5 6 7

(Chip) (B, F)

1 = Type  
 2 = Shape  
 3 = Dimension  
 4 = Temp. coefficient  
 5 = Voltage rating  
 6 = Value  
 7 = Tolerance

#### Dimension (Chip capacitors)

Dimension code	L	W	T
Empty	5.6 ± 0.5	5.0 ± 0.5	Less than 2.0
A	4.5 ± 0.5	3.2 ± 0.4	Less than 2.0
B	4.5 ± 0.5	2.0 ± 0.3	Less than 2.0
C	4.5 ± 0.5	1.25 ± 0.2	Less than 1.25
D	3.2 ± 0.4	2.5 ± 0.3	Less than 1.5
E	3.2 ± 0.2	1.6 ± 0.2	Less than 1.25
F	2.0 ± 0.3	1.25 ± 0.2	Less than 1.25
G	1.6 ± 0.2	0.8 ± 0.2	Less than 1.0

### RESISTORS

#### • Chip resistor (Carbon)

(EX) R K 7 3 E B 2 B 0 0 0 J  
 1 2 3 4 5 6 7

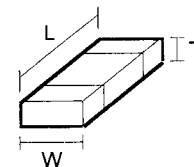
(Chip) (B,F)

#### • Carbon resistor (Normal type)

(EX) R D 1 4 B B 2 C 0 0 0 J  
 1 2 3 4 5 6 7

- 1 = Type
- 2 = Shape
- 3 = Dimension
- 4 = Temp. coefficient
- 5 = Rating wattage
- 6 = Value
- 7 = Tolerance

#### Dimension



#### Dimension (Chip resistor)

Dimension code	L	W	T
E	3.2 ± 0.2	1.6 ± 0.2	1.0
F	2.0 ± 0.3	1.25 ± 0.2	1.0
G	1.6 ± 0.2	0.8 ± 0.2	0.5 ± 0.1

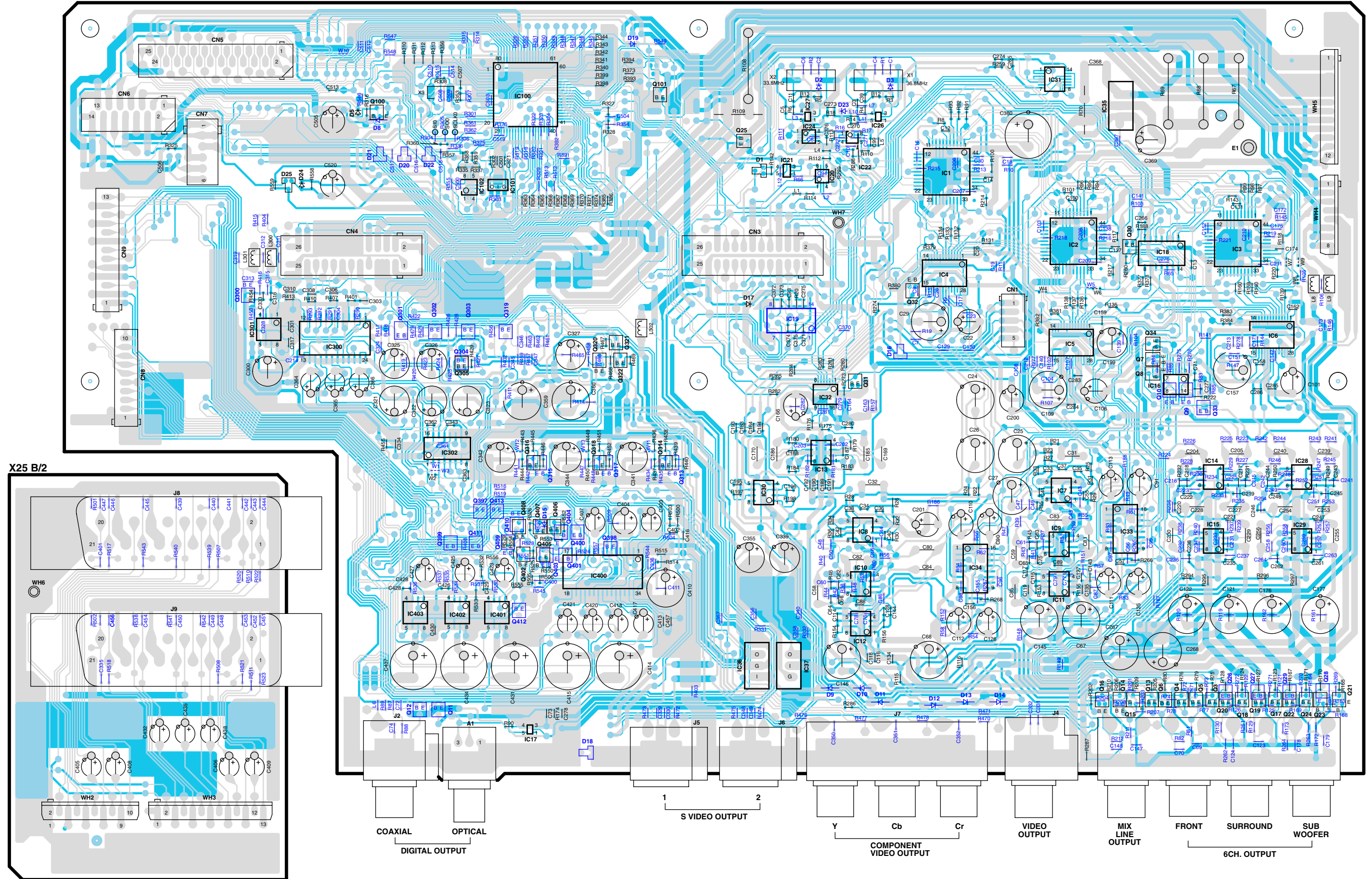
#### Rating wattage

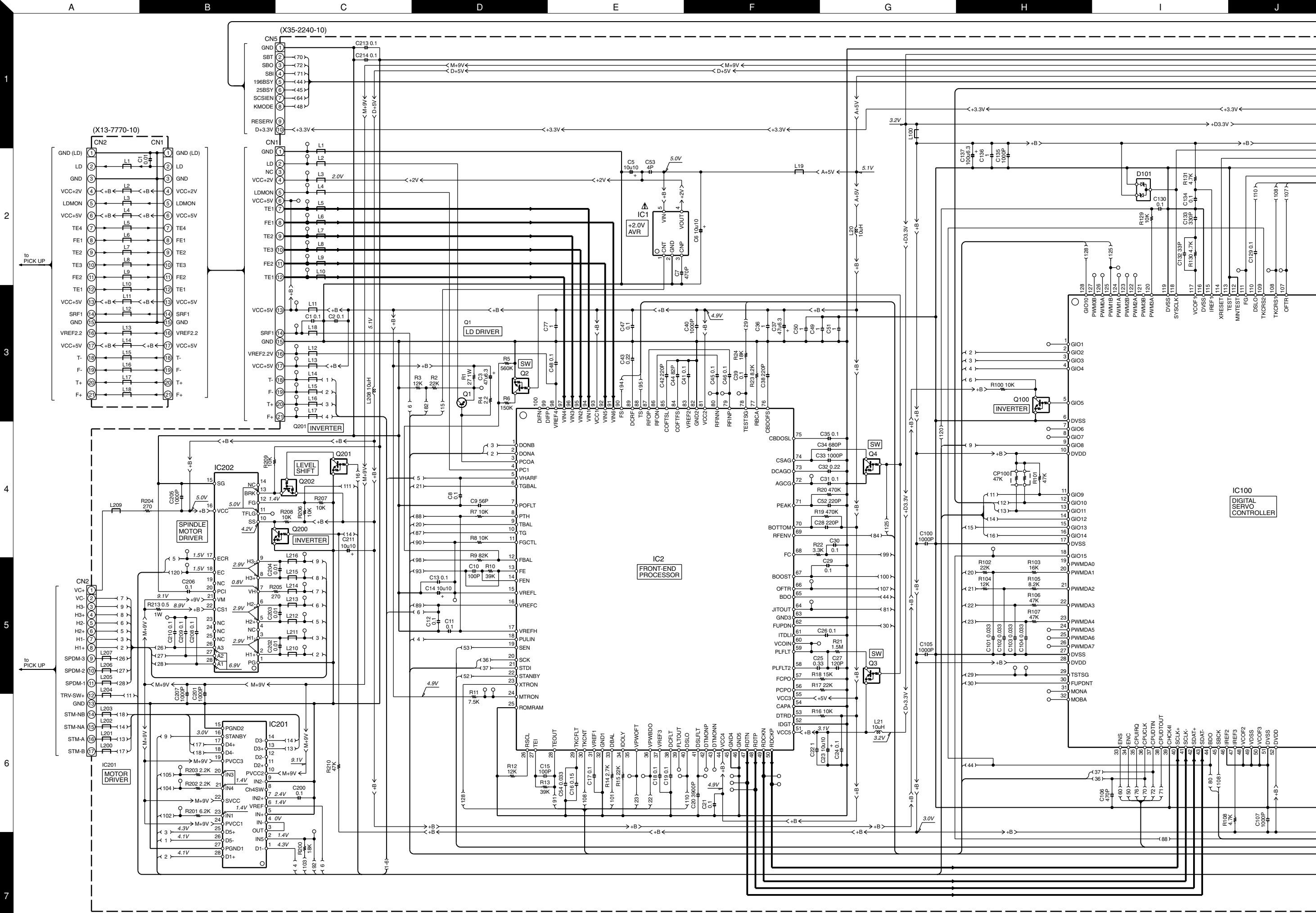
Code	Wattage	Code	Wattage	Code	Wattage
1J	1/16W	2C	1/6W	3A	1W
2A	1/10W	2E	1/4W	3D	2W
2B	1/8W	2H	1/2W		



# PC BOARD(Component side view)

X25-6370-10 A/2 (J70-1424-11)





IC100  
DIGITAL SERVO CONTROLLER

(X35-2240-10)

(X13-7770-10)

2

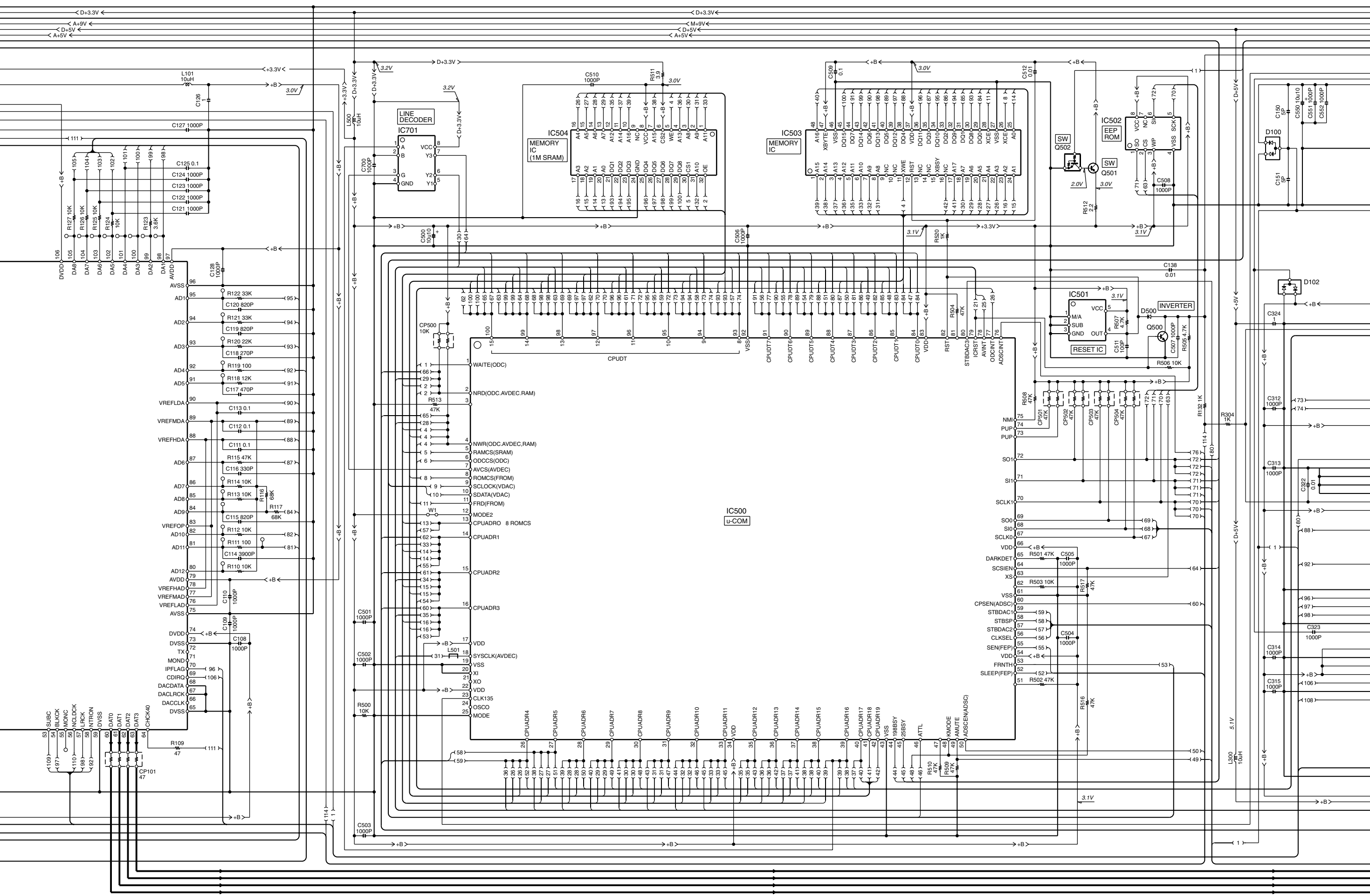
3

4

5

6

7



LINE DECODER  
IC701

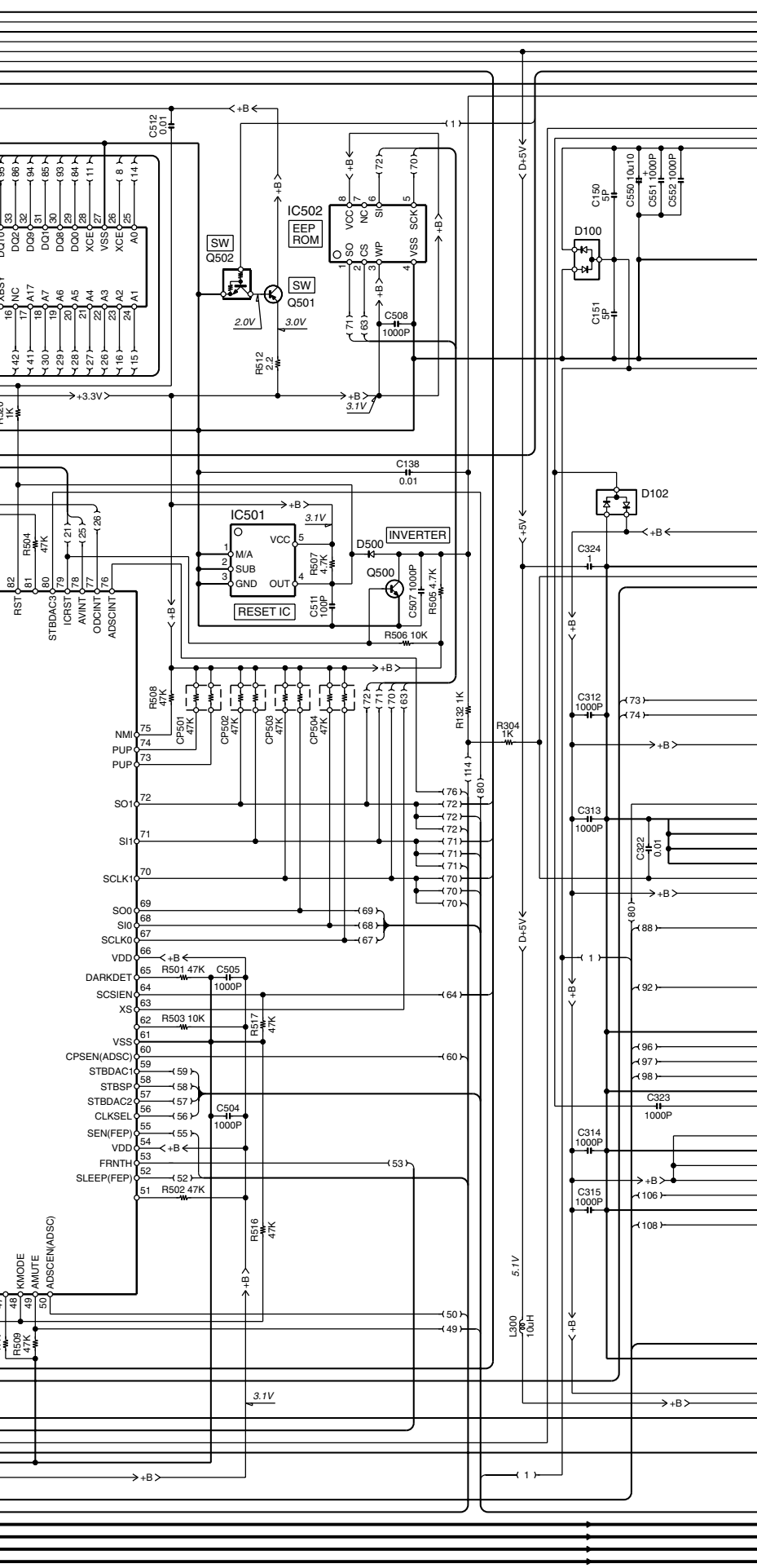
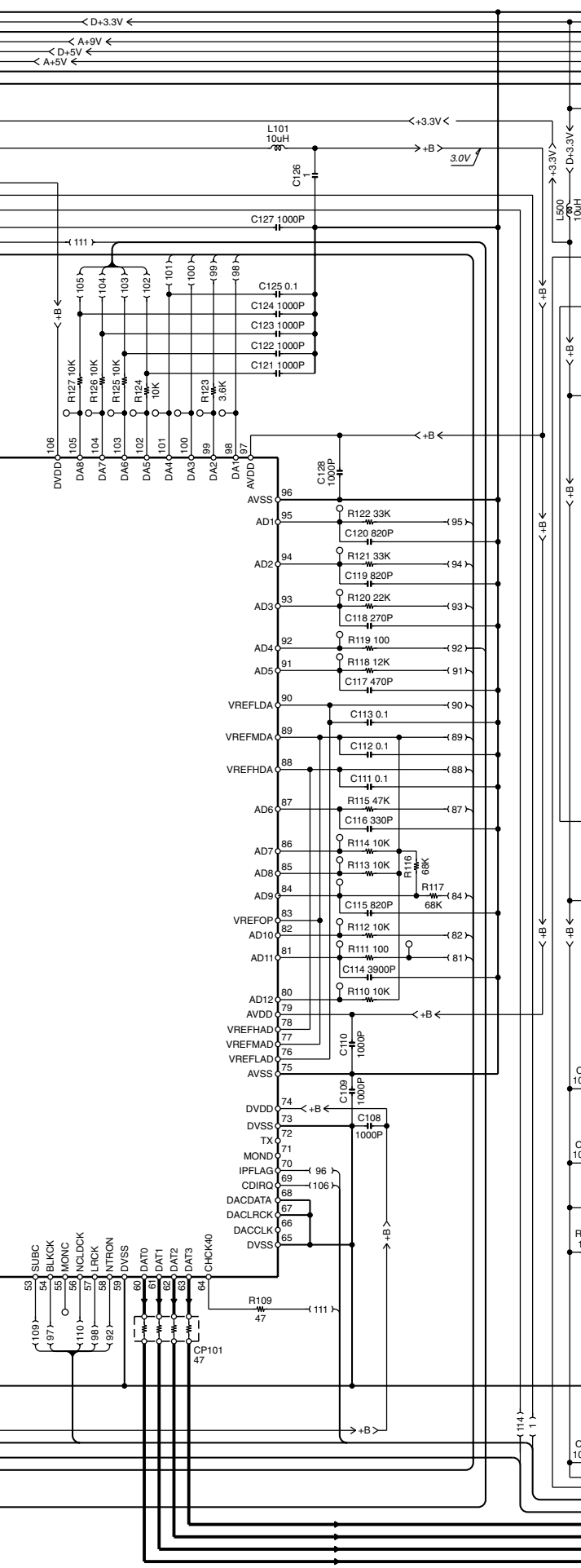
IC504  
MEMORY IC  
(1M SRAM)

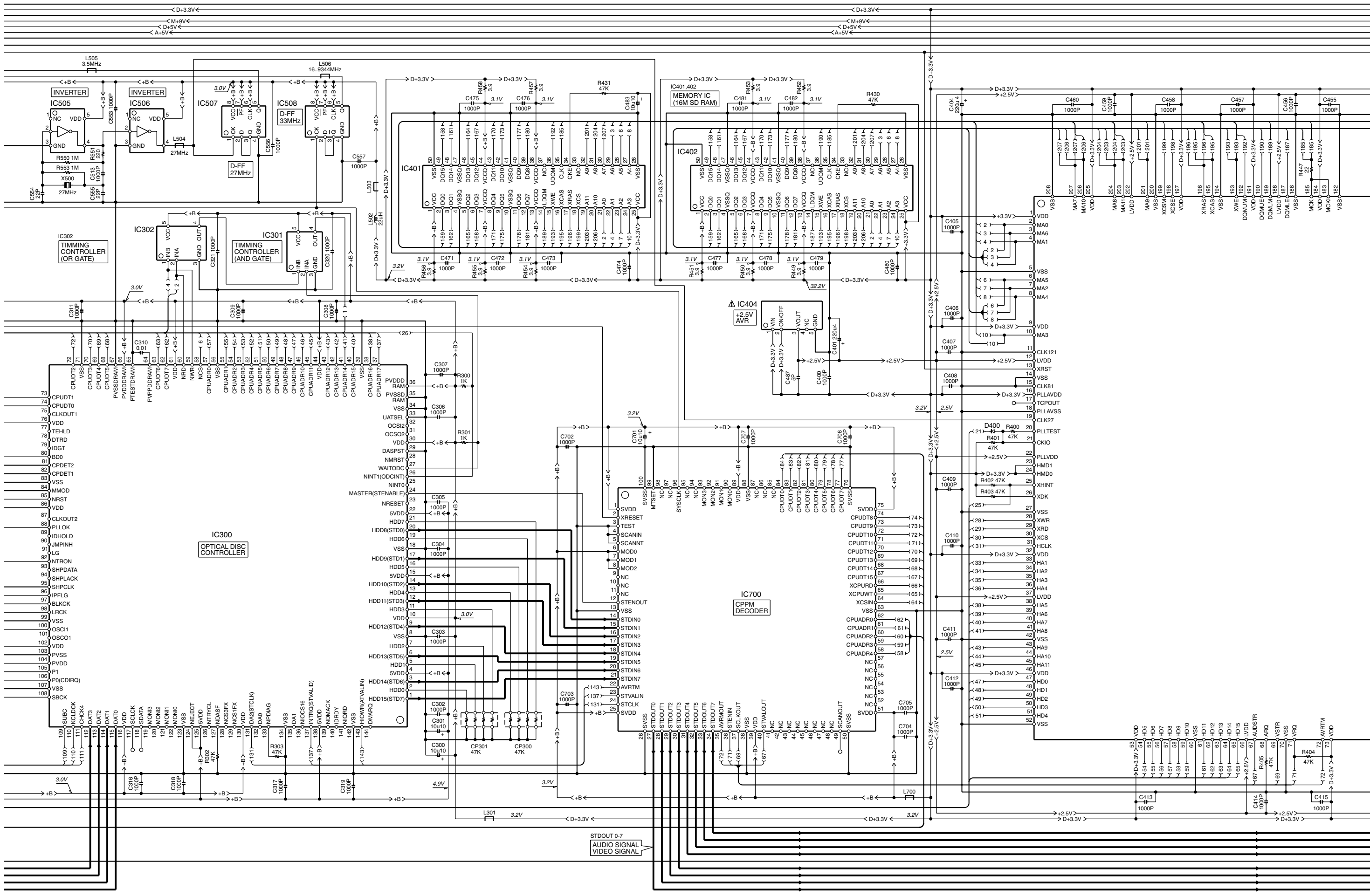
IC503  
MEMORY IC

IC501  
RESET IC

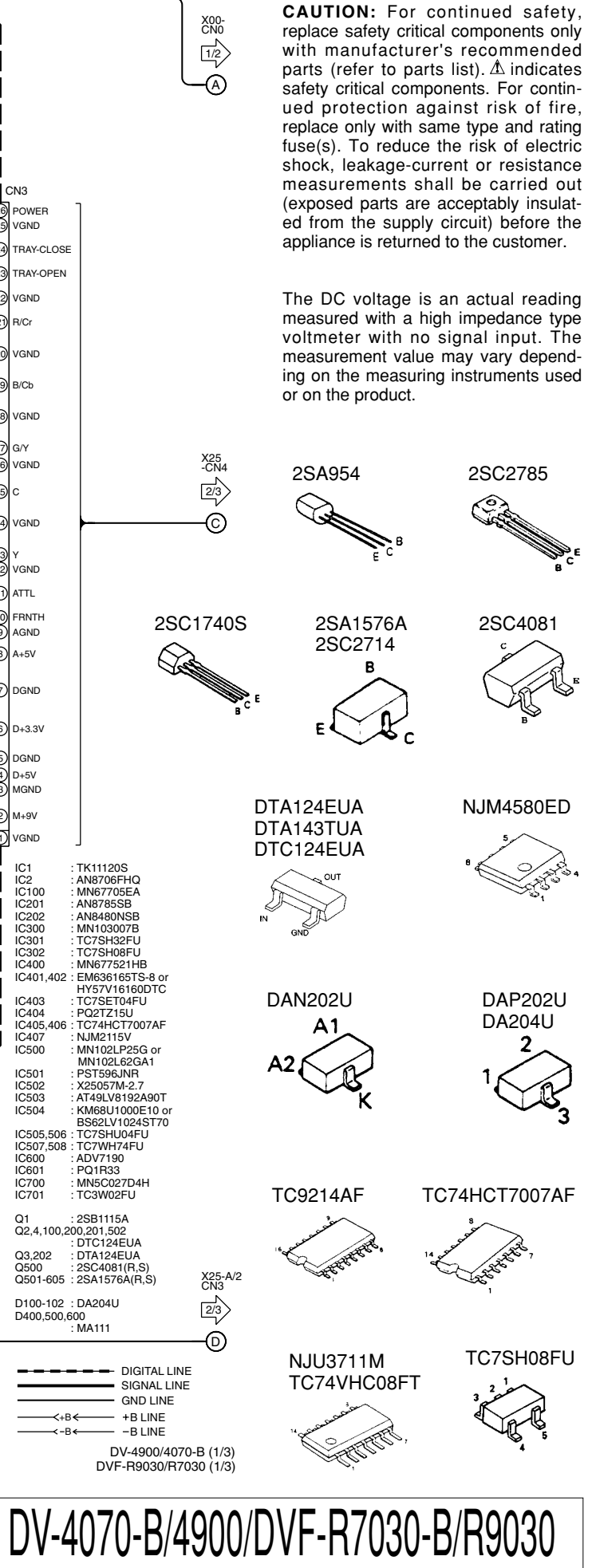
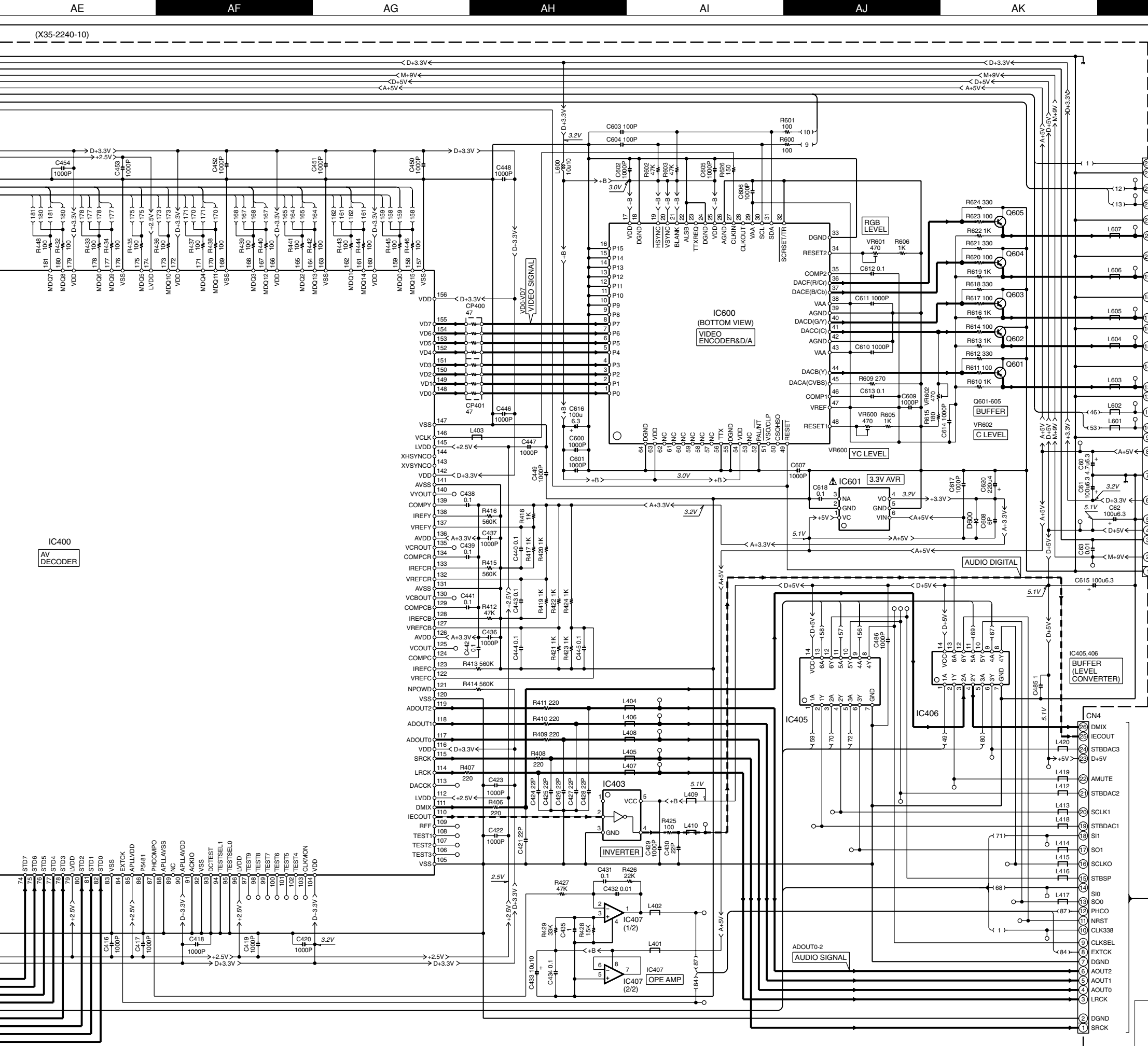
IC502  
EEPROM

IC500  
U-COM





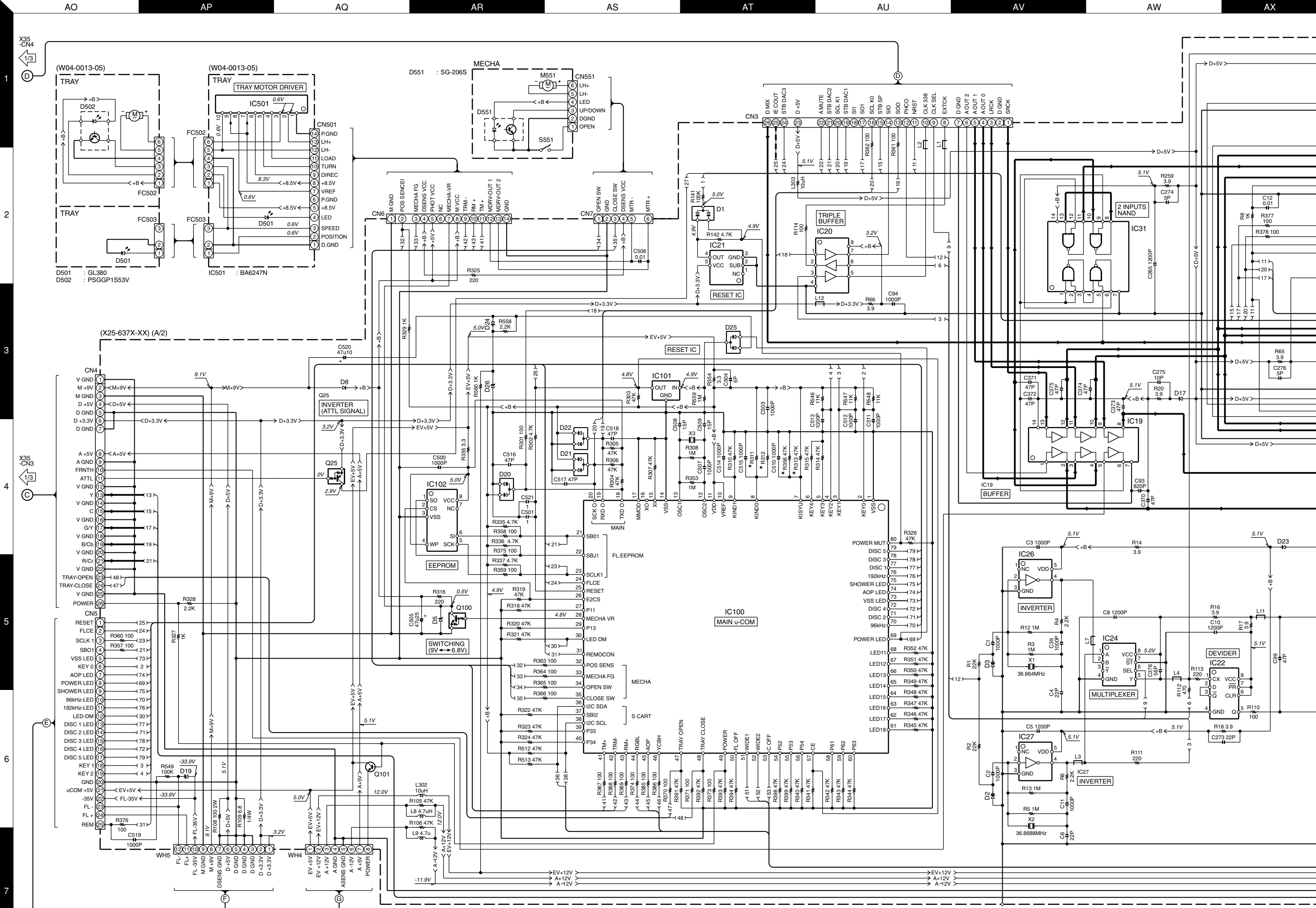
STDOU 0-7  
AUDIO SIGNAL  
VIDEO SIGNAL



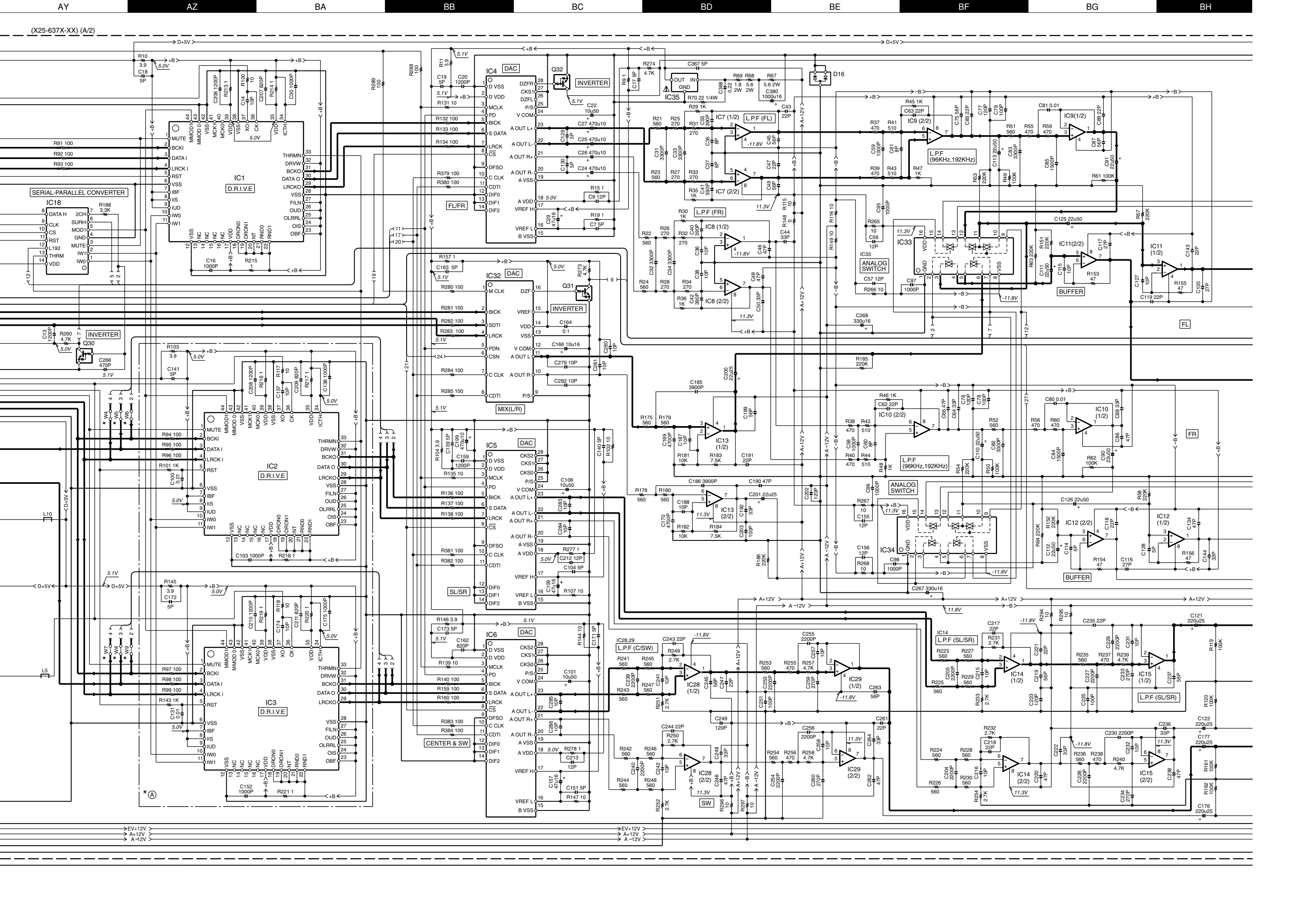
**CAUTION:** For continued safety, replace safety critical components only with manufacturer's recommended parts (refer to parts list).  $\Delta$  indicates safety critical components. For continued protection against risk of fire, replace only with same type and rating value measurements shall be carried out (exposed parts are acceptably insulated from the supply circuit) before the appliance is returned to the customer.

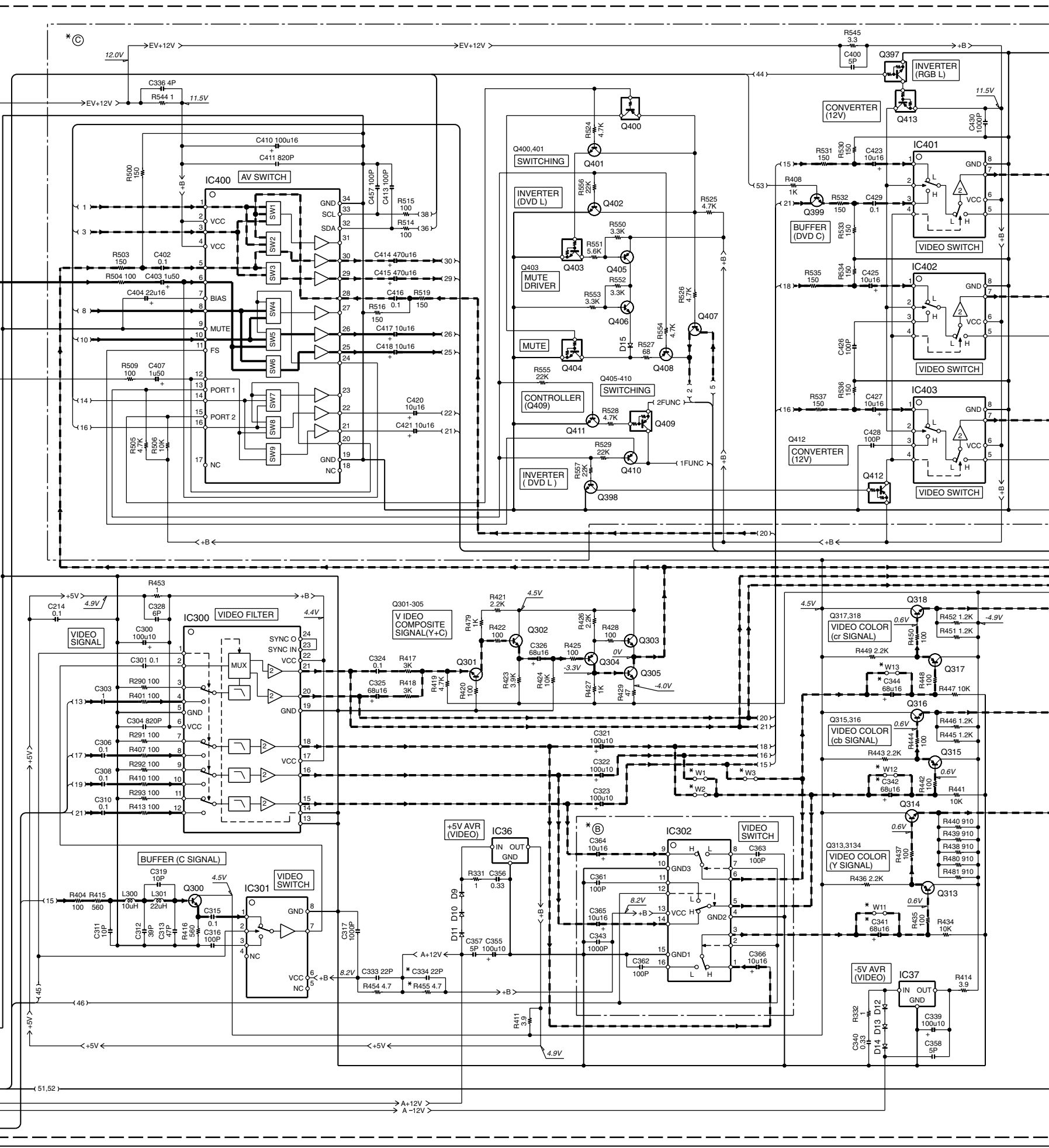
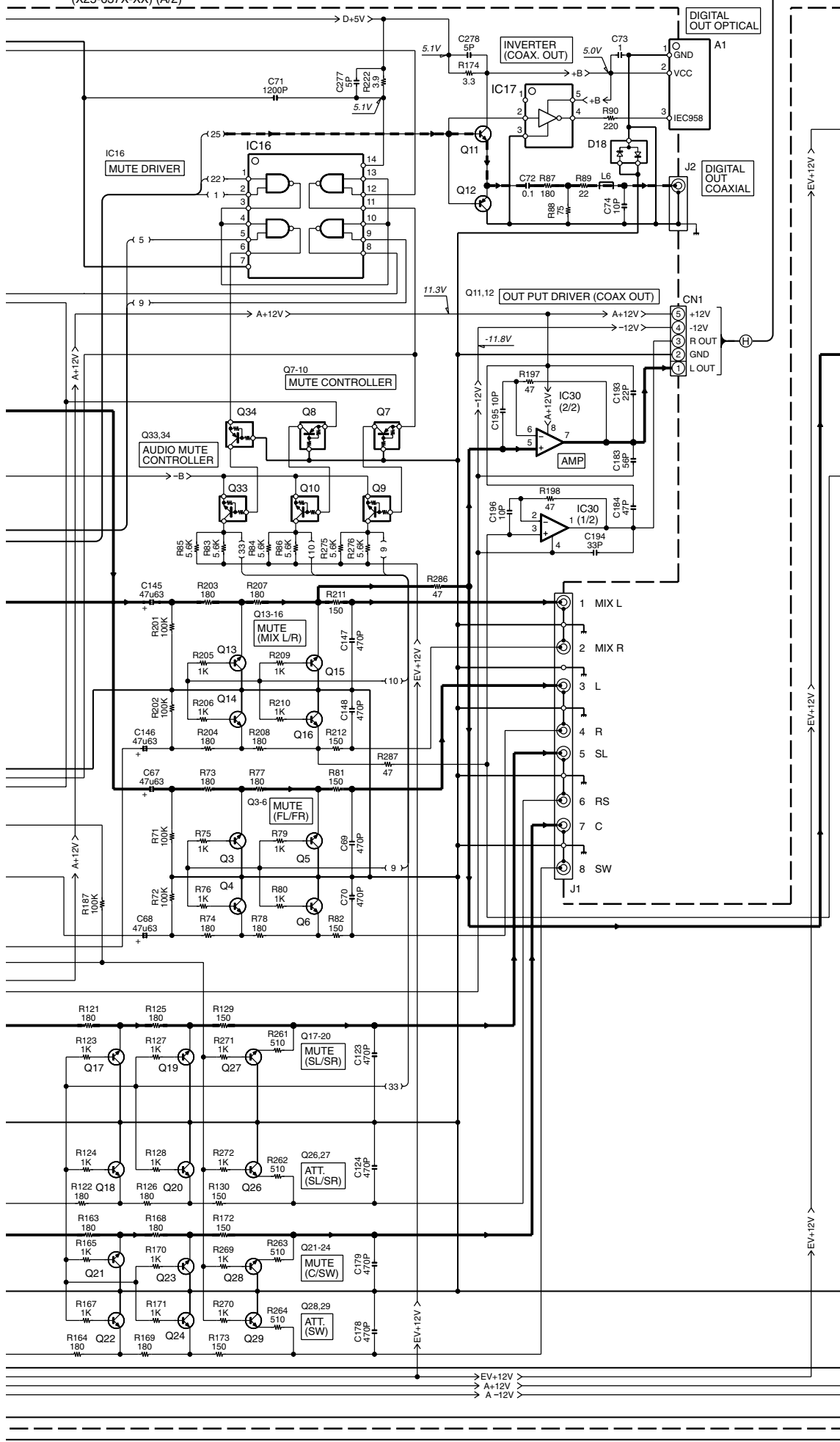
The DC voltage is an actual reading measured with a high impedance type voltmeter with no signal input. The measurement value may vary depending on the measuring instruments used or on the product.

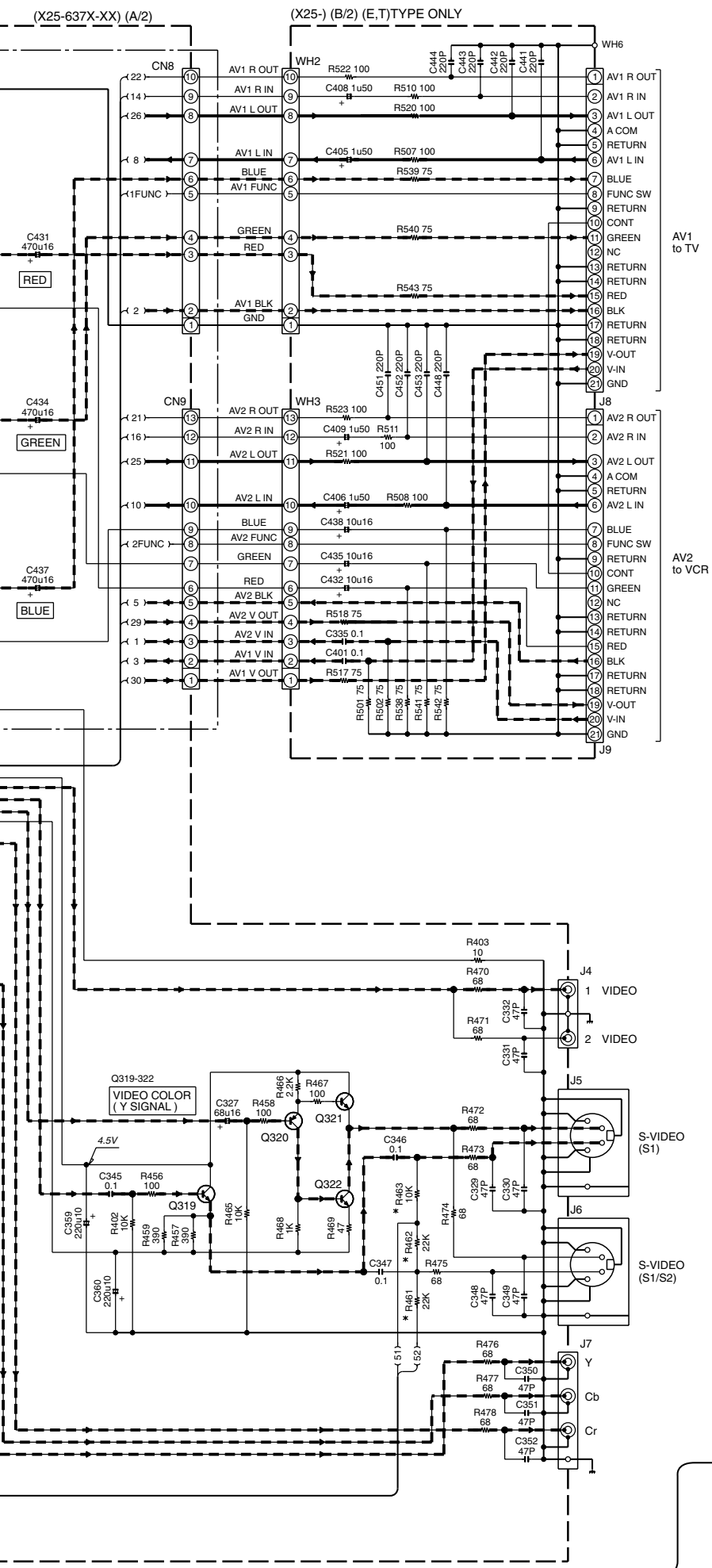
DV-4070-B/4900/DVF-R7030-B/R9030











DVF-R9030 (X25-637X-XX)

DESTINATION	COUNTRY	ABB.	UNIT No.	(A)	(B)	(C)	C334,341, 342,344	R311, 313	R312	R356	R455	R461-463	W1-3, 11-13	W4-9
JAPAN	J		X25-6370-01		NO	NO			12K		NO	YES	YES	
EUROPE	E		X25-6372-71	YES	YES	YES	YES		33K	NO	YES	NO	NO	NO
U.K.	T													NO
AUSTRALIA	X		X25-6370-71						68K					
GENERAL MARKET	M		X25-6370-21		NO	NO			180K			NO	YES	

DV-4900 (X25-6370-10)

DESTINATION	COUNTRY	ABB.	UNIT No.	(A)	(B)	(C)	C334,341, 342,344	R311,313,455, 461-463	R312	R313	W1-3, 11-13	W4-9	
U.S.A.	K		X25-6370-10	YES	NO	NO	NO			47K	YES	YES	NO

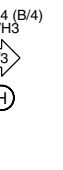
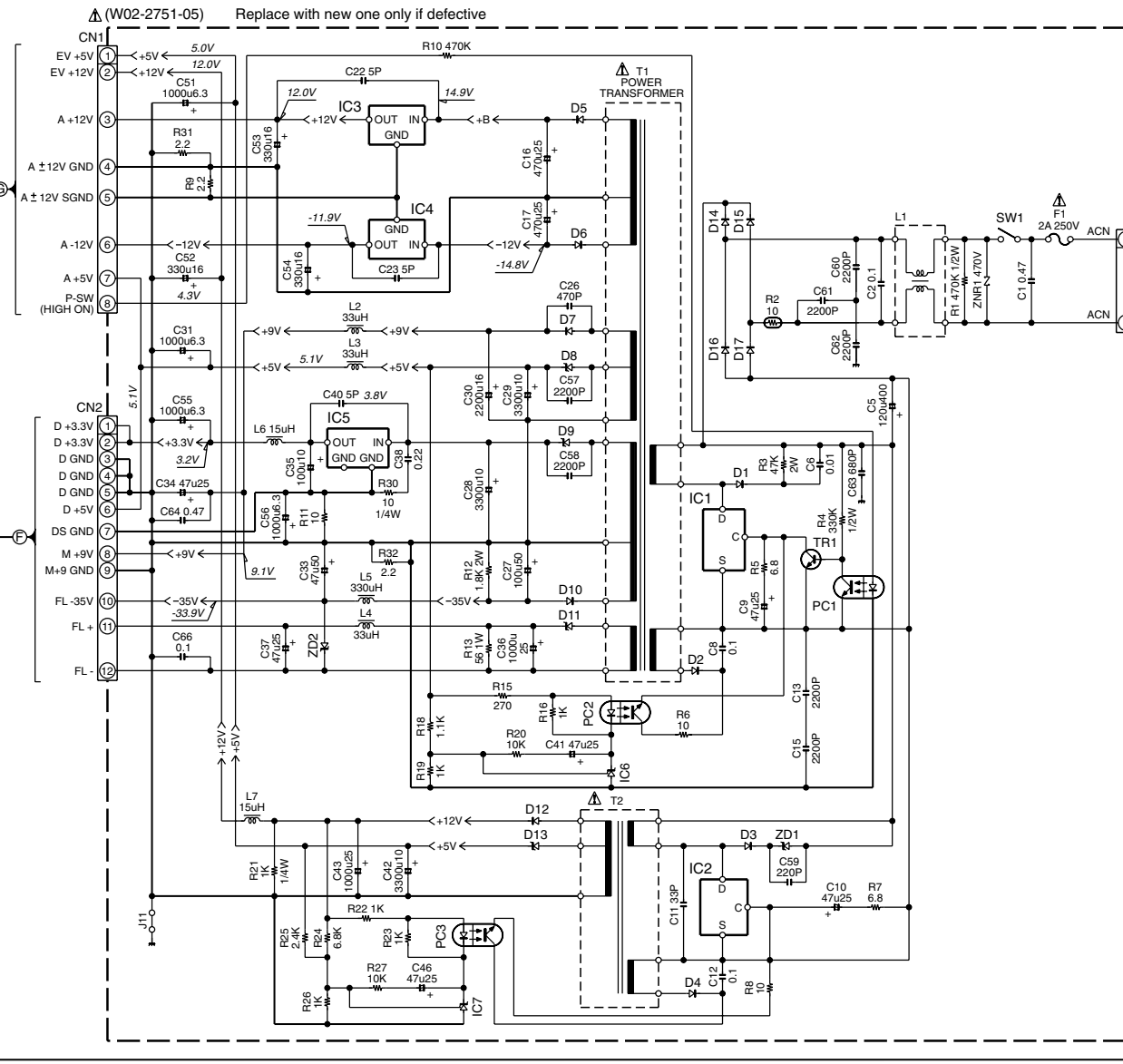
DV-4070-B (X25-6370-11)

DESTINATION	COUNTRY	ABB.	UNIT No.	(A)	(B)	(C)	C334,341, 342,344	R311,313,455, 461-463	R312	R356	W1-3,4-9, 11-13	W4-9
U.S.A.	K		X25-6370-11	NO	NO	NO	NO		47K	YES	YES	

DVF-R7030-B (X25-6372-72)

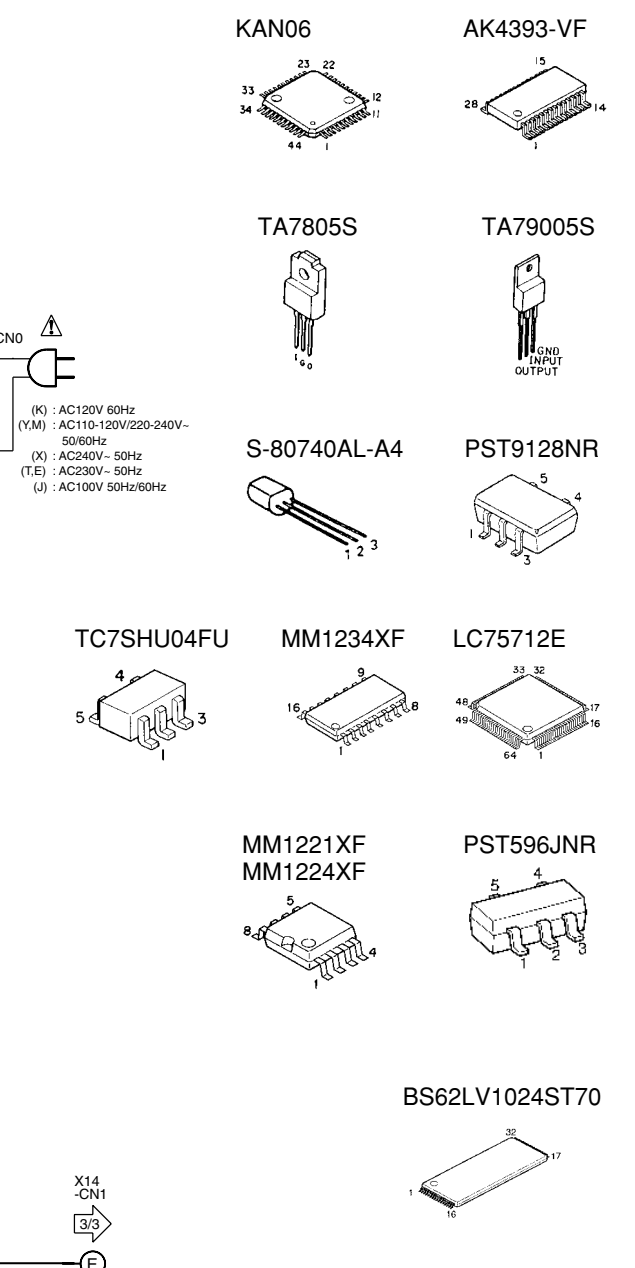
DESTINATION	COUNTRY	ABB.	UNIT No.	(A)	(B)	(C)	C334,341, 342,344	R311,356, 455	R312	R313,461-463	W1-3, 11-13	W4-9
EUROPE	E		X25-6372-72	NO	YES	YES	YES		33K	NO	NO	YES
U.K.	T											

- IC1-3 : KAN06
- IC4 : AK4394-VF
- IC5,6 : AK4393-VF
- IC7-15,28-30 : NJM4580ED
- IC16 : TC74VHC08FT
- IC17,26,27 : TC7SHU04FU
- IC18 : NJU3711M
- IC19 : TC74HCT7007AF
- IC20 : TC7WH34FU
- IC21 : PST9128NR
- IC22 : TC7WH74FU
- IC24 : TC7WH157FU
- IC31 : TC74VHC00FT
- IC32 : AK4380-VT
- IC33,34 : TC9214AF
- IC35,36 : TA7805S
- IC37 : TA79005S
- IC100 : MN101C28CMA
- IC101 : S-80740AL-A4
- IC102 : X25057M-2.7
- IC300 : ML6427
- IC301 : MM1221XF
- IC302 : MM1234XF
- IC400 : MM1443XJ
- IC401-403 : MM1224XF
- D1 : DAP202U
- D2,3 : KV1832E
- D5 : UDZ6.8B
- D8-14 : U1BC44
- D15,17,23,24 : MA111
- D16,18,20-22 : DA204U
- D19 : UDZ3.9B
- D25 : DAN202U
- D26 : UDZ5.6B
- Q3-6,13-24,26-29 : 2SC4213(B)
- Q7,8,25,34,41,42,413 : DTA124EUA
- Q9,10,30-33,100,397, 403,404 : DTC124EUA
- Q11 : 2SC4177(L5,L6)
- Q12 : 2SA1611(M5,M6)
- Q101,300,302,303,305,314, 316,318,319,321,322,398, 399,401,402,406,411 : 2SC4081(R,S)
- Q301 : 2SC2714(O,Y).
- Q304,313,315,317,320,405, 407,408,410 : 2SA1576A(R,S)
- Q400 : DTA143TUA
- Q409 : DTA113ZUA



**CAUTION:** For continued safety, replace safety critical components only with manufacturer's recommended parts (refer to parts list).  $\Delta$  indicates safety critical components. For continued protection against risk of fire, replace only with same type and rating fuse(s). To reduce the risk of electric shock, leakage-current or resistance measurements shall be carried out (exposed parts are acceptably insulated from the supply circuit) before the appliance is returned to the customer.

The DC voltage is an actual reading measured with a high impedance type voltmeter with no signal input. The measurement value may vary depending on the measuring instruments used or on the product.



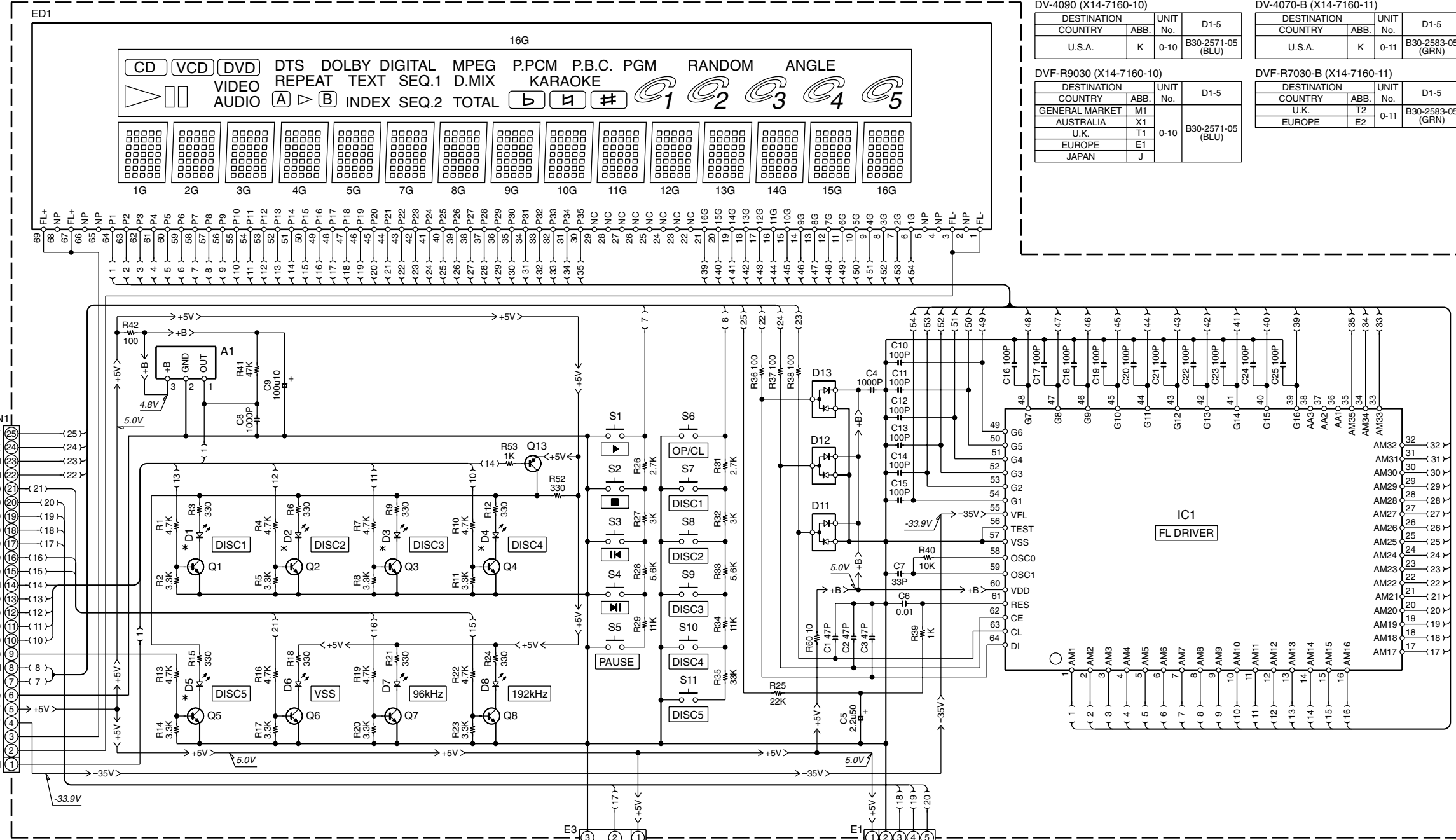
DV4900/4070-B (2/3)  
DVF-R9030/R7030-B (2/3)

**DV-4070-B/4900/DVF-R7030-B/R9030**

Y22-8310-00

**KENWOOD**

(X14-7160-XX) (A/4)

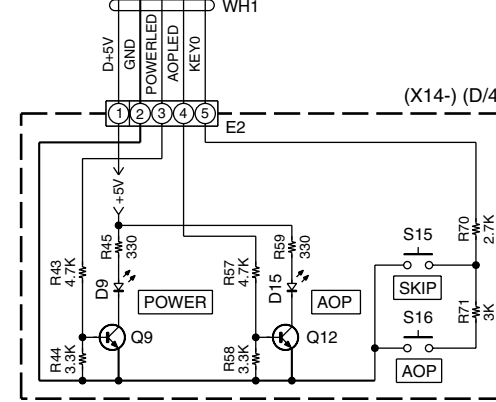
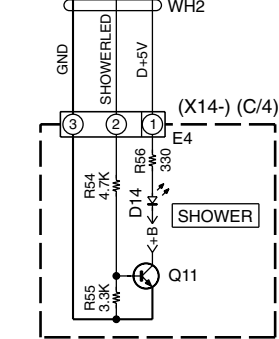
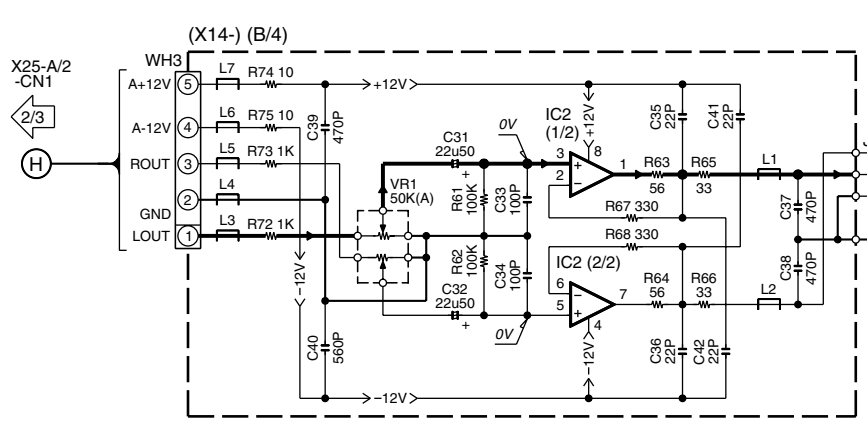
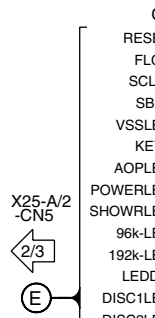


DESTINATION	COUNTRY	ABB.	UNIT No.	D1-5
U.S.A.	K		0-10	B30-2571-05 (BLU)

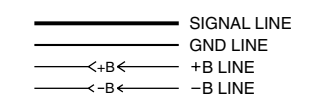
DESTINATION	COUNTRY	ABB.	UNIT No.	D1-5
U.S.A.	K		0-11	B30-2583-05 (GRN)

DESTINATION	COUNTRY	ABB.	UNIT No.	D1-5
GENERAL MARKET	M1		0-10	B30-2571-05 (BLU)
AUSTRALIA	X1			
U.K.	T1			
EUROPE	E1			
JAPAN	J			

DESTINATION	COUNTRY	ABB.	UNIT No.	D1-5
U.K.	T2		0-11	B30-2583-05 (GRN)
EUROPE	E2			



- IC1 : LC75712E
- IC2 : NJM4580ED
- Q1-9,11,12 : 2SC1740S(Q,R) or 2SC2785(F,E)
- Q13 : 2SA954(L,K)
- D1-5 : \*
- D6-9 : B30-2584-05
- D11-13 : DA204U
- D14,15 : B30-2571-05
- ED1 : 16-ST-43GNK



**CAUTION:** For continued safety, replace safety critical components only with manufacturer's recommended parts (refer to parts list). Δ indicates safety critical components. For continued protection against risk of fire, replace only with same type and rating fuse(s). To reduce the risk of electric shock, leakage-current or resistance measurements shall be carried out (exposed parts are acceptably insulated from the supply circuit) before the appliance is returned to the customer.

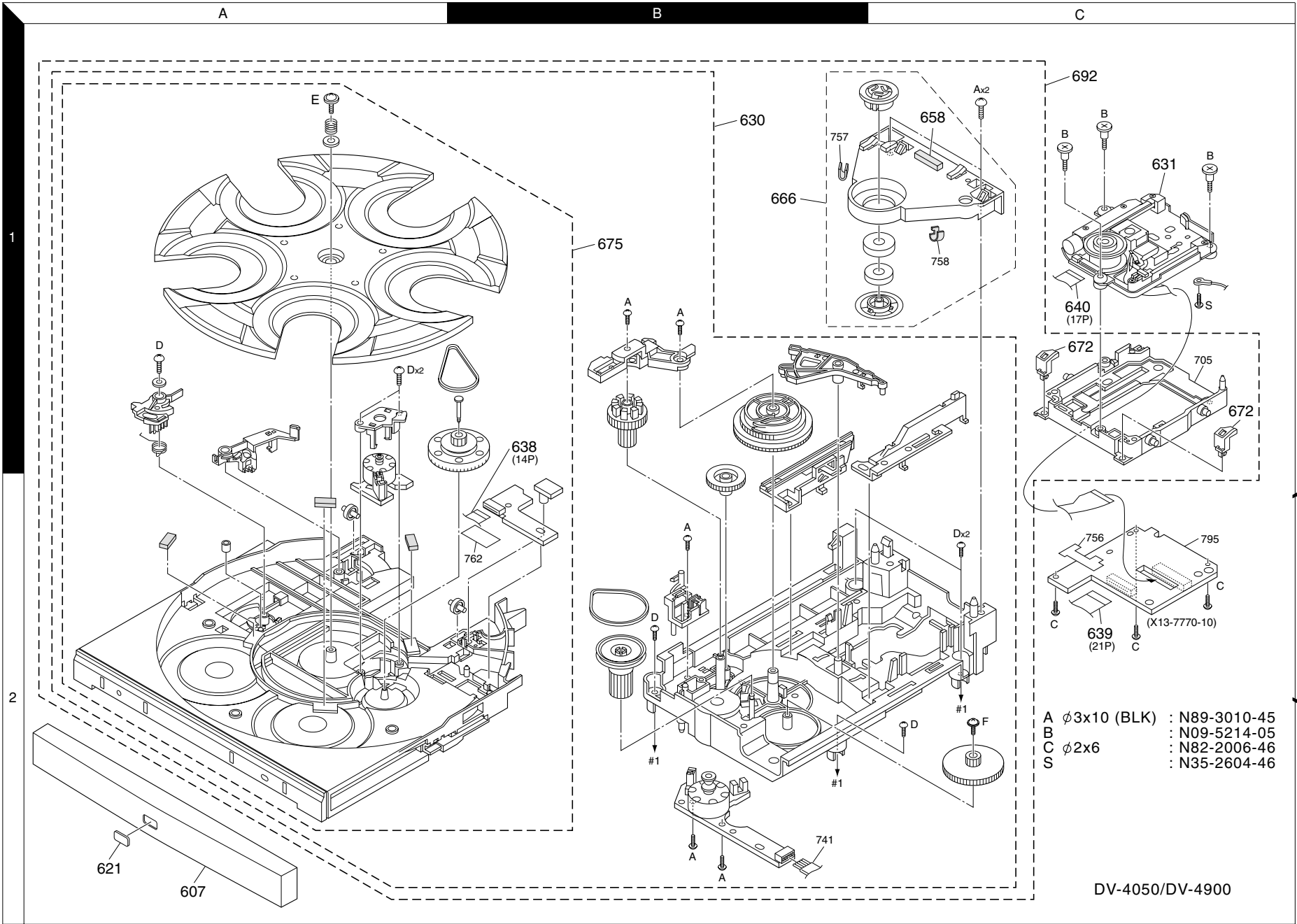
The DC voltage is an actual reading measured with a high impedance type voltmeter with no signal input. The measurement value may vary depending on the measuring instruments used or on the product.

DV-4070-B/4900/DVF-R7030-B/R9030

Y22-8310-00

KENWOOD

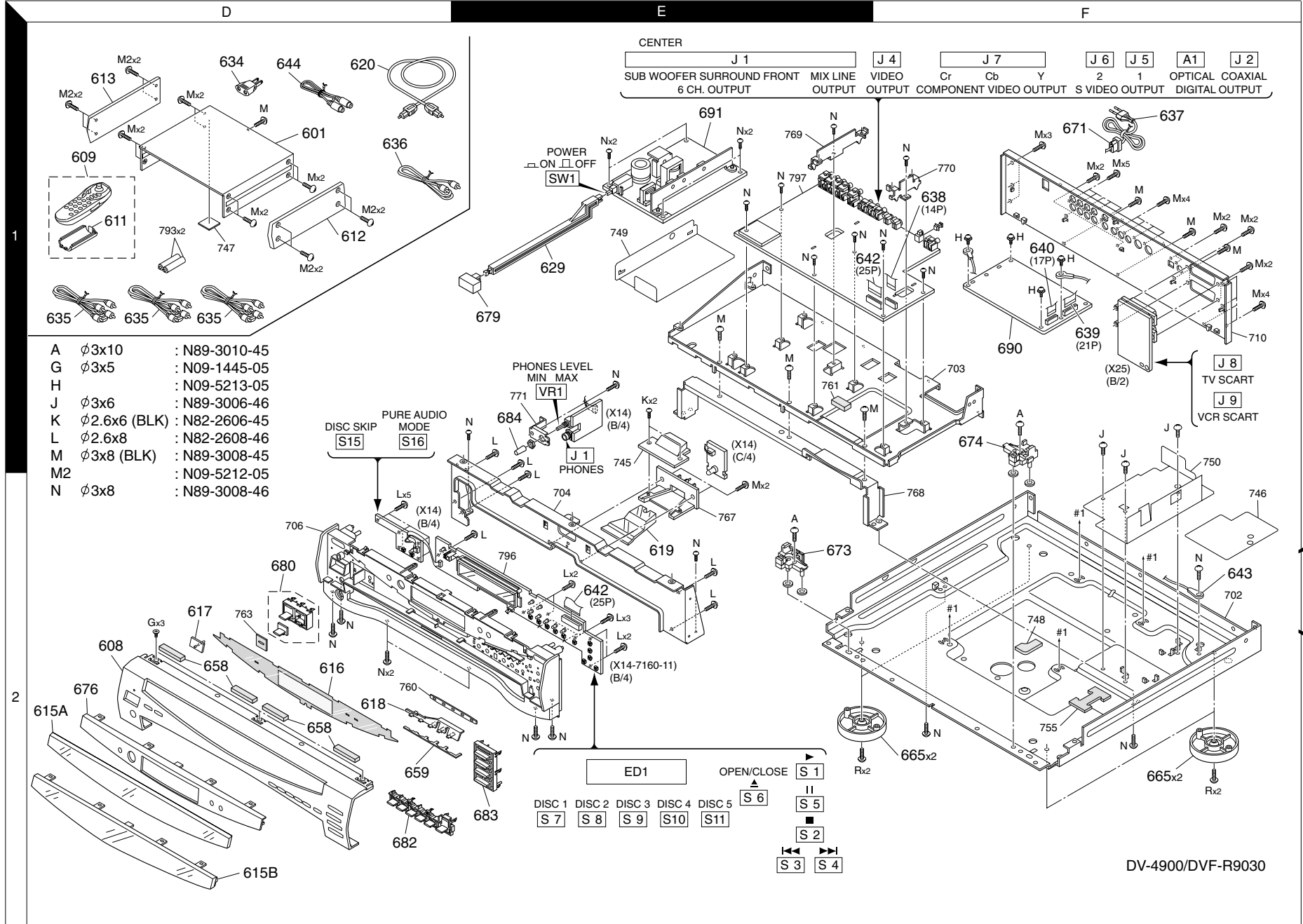
# DV-4070-B/4900/DVF-R7030-B/R9030 EXPLODED VIEW (MECHANISM)



- A  $\phi 3 \times 10$  (BLK) : N89-3010-45
- B : N09-5214-05
- C  $\phi 2 \times 6$  : N82-2006-46
- S : N35-2604-46

DV-4050/DV-4900

Parts with exploded numbers larger than 700 are not supplied.



- A  $\phi$ 3x10 : N89-3010-45
- G  $\phi$ 3x5 : N09-1445-05
- H : N09-5213-05
- J  $\phi$ 3x6 : N89-3006-46
- K  $\phi$ 2.6x6 (BLK) : N82-2606-45
- L  $\phi$ 2.6x8 : N82-2608-46
- M  $\phi$ 3x8 (BLK) : N89-3008-45
- M2  $\phi$ 3x8 : N09-5212-05
- N  $\phi$ 3x8 : N89-3008-46

Parts with exploded numbers larger than 700 are not supplied.

DV-4900/DVF-R9030







\* New Parts

Parts without **Parts No.** are not supplied.Les articles non mentionnés dans le **Parts No.** ne sont pas fournis.Teile ohne **Parts No.** werden nicht geliefert.

5

Ref. No	Add-ress	New Parts	Parts No.	Description	Desti-nation	Re-marks
C65			CC73GCH1H220J	CHIP C		
C66			CC73GCH1H470J	CHIP C		
C67 ,68			CE04KW1J470M	ELECTRO		63WV
C69 ,70			CK73GB1H471K	CHIP C		
C71			CK73GB1H122K	CHIP C		
C72			CK73GB1C104K	CHIP C		
C73			CK73GF1A105Z	CHIP C		
C74			CC73GCH1H100D	CHIP C		
C75			CC73GCH1H560J	CHIP C		
C76 ,77			CC73GCH1H121J	CHIP C		
C78 ,79			CC73GCH1H101J	CHIP C		
C80 ,81			CQ93FMG1H103J	MYLAR		
C82 ,83			CQ93FMG1H332J	MYLAR		
C84 ,85			CQ93FMG1H152J	MYLAR		
C86			CC73GCH1H470J	CHIP C		
C87			CC73GCH1H560J	CHIP C		
C88			CC73GCH1H330J	CHIP C		
C89			CC73GCH1H220J	CHIP C		
C90 ,91			CE04KW1H220M	ELECTRO		50WV
C93			CK73GB1H821K	CHIP C		
C94 -98			CK73GB1H102K	CHIP C		
C99			CC73GCH1H470J	CHIP C		
C100			CK73GB1H103K	CHIP C		
C101			CE04KW1H100M	ELECTRO		50WV
C103			CK73GB1H102K	CHIP C		
C104			CC73GCH1H050C	CHIP C		
C106			CE04KW1H100M	ELECTRO		50WV
C109			C90-3749-05	ELECTRO		16WV
C110-113			CE04KW1H220M	ELECTRO		50WV
C114			CC73GCH1H050C	CHIP C		
C115			CC73GCH1H100D	CHIP C		
C116,117			CC73GCH1H270J	CHIP C		
C118,119			CC73GCH1H220J	CHIP C		
C121,122			CE04KW1E221M	ELECTRO		25WV
C123,124			CK73GB1H471K	CHIP C		
C125,126			CE04KW1H220M	ELECTRO		50WV
C127			CC73GCH1H100D	CHIP C		
C128-130			CC73GCH1H050C	CHIP C		
C131			CK73GB1H103K	CHIP C		
C134			CC73GCH1H470J	CHIP C		
C135			CC73GCH1H270J	CHIP C		
C137			CC73GCH1H100D	CHIP C		
C138			CK73GB1H102K	CHIP C		
C139,140			CC73GCH1H050C	CHIP C		
C141			CC73GCH1H050C	CHIP C		
C143			CC73GCH1H220J	CHIP C		
C144			CC73GCH1H330J	CHIP C		
C145,146			CE04KW1J470M	ELECTRO		63WV
C147,148			CK73GB1H471K	CHIP C		
C151			CC73GCH1H050C	CHIP C		
C152			CK73GB1H102K	CHIP C		
C155,156			CC73GCH1H120J	CHIP C		
C157			C90-3749-05	ELECTRO		16WV
C159			CK73GB1H122K	CHIP C		
C162			CK73GB1H821K	CHIP C		

L : Scandinavia K : USA P : Canada R : Mexico C : China I : Malaysia  
 Y : PX(Far East,Hawaii) T : England E : Europe G : Germany V : China(Shanghai)  
 Y : AAFES(Europe) X : Australia Q : Russia H : Korea M : Other Areas  $\Delta$  indicates safety critical components.

\* New Parts

Parts without **Parts No.** are not supplied.Les articles non mentionnés dans le **Parts No.** ne sont pas fournis.Teile ohne **Parts No.** werden nicht geliefert.

6

Ref. No	Add-ress	New Parts	Parts No.	Description	Desti-nation	Re-marks
C163			CC73GCH1H050C	CHIP C		
C164			CK73GB1C104K	CHIP C		
C166			CE04RW1C100M	ELECTRO		16WV
C169,170			CQ93FMG1H472J	MYLAR		4700PF
C171			CC73GCH1H050C	CHIP C		
C172			CC73GCH1H050C	CHIP C		
C173			CC73GCH1H050C	CHIP C		
C174			CC73GCH1H100D	CHIP C		
C175			CK73GB1H102K	CHIP C		
C176,177			CE04KW1E221M	ELECTRO		220UF
C178,179			CK73GB1H471K	CHIP C		
C183			CC73GCH1H560J	CHIP C		
C184			CC73GCH1H470J	CHIP C		
C185,186			CQ93FMG1H392J	MYLAR		3900PF
C187,188			CC73GCH1H100D	CHIP C		
C189			CC73GCH1H560J	CHIP C		
C190			CC73GCH1H470J	CHIP C		
C191			CC73GCH1H220J	CHIP C		
C192			CC73GCH1H330J	CHIP C		
C193			CC73GCH1H220J	CHIP C		
C194			CC73GCH1H330J	CHIP C		
C195,196			CC73GCH1H100D	CHIP C		
C199			CE04KW1A471M	ELECTRO		470UF
C200,201			CE04KW1E220M	ELECTRO		22UF
C202			CC73GCH1H121J	CHIP C		
C203			CC73GCH1H101J	CHIP C		
C204,205			CQ93FMG1H222J	MYLAR		2200PF
C206			CK73GB1H122K	CHIP C		
C207			CK73GB1H821K	CHIP C		
C208			CK73GB1H122K	CHIP C		
C209			CK73GB1H821K	CHIP C		
C210			CK73GB1H122K	CHIP C		
C211			CK73GB1H821K	CHIP C		
C212,213			CC73GCH1H120J	CHIP C		
C214			CK73GB1C104K	CHIP C		
C215,216			CC73GCH1H100D	CHIP C		
C217,218			CC73GCH1H220J	CHIP C		
C219			CC73GCH1H560J	CHIP C		
C220			CC73GCH1H470J	CHIP C		
C221			CC73GCH1H220J	CHIP C		
C222			CC73GCH1H330J	CHIP C		
C223			CC73GCH1H121J	CHIP C		
C225			CC73GCH1H101J	CHIP C		
C227-230			CQ93FMG1H222J	MYLAR		2200PF
C231,232			CC73GCH1H100D	CHIP C		
C233,234			CC73GCH1H271J	CHIP C		
C235			CC73GCH1H220J	CHIP C		
C236			CC73GCH1H330J	CHIP C		
C237			CC73GCH1H560J	CHIP C		
C238			CC73GCH1H470J	CHIP C		
C239,240			CQ93FMG1H222J	MYLAR		2200PF
C241,242			CC73GCH1H100D	CHIP C		
C243,244			CC73GCH1H220J	CHIP C		
C245			CC73GCH1H560J	CHIP C		
C246			CC73GCH1H470J	CHIP C		

L : Scandinavia K : USA P : Canada R : Mexico C : China I : Malaysia  
 Y : PX(Far East,Hawaii) T : England E : Europe G : Germany V : China(Shanghai)  
 Y : AAFES(Europe) X : Australia Q : Russia H : Korea M : Other Areas  $\Delta$  indicates safety critical components.

\* New Parts

Parts without **Parts No.** are not supplied.  
 Les articles non mentionnés dans le **Parts No.** ne sont pas fournis.  
 Teile ohne **Parts No.** werden nicht geliefert.

7

Ref. No	Address	New Parts	Parts No.	Description	Destination	Remarks
C247			CC73GCH1H220J	CHIP C 22PF	J	
C248			CC73GCH1H330J	CHIP C 33PF	J	
C249			CC73GCH1H121J	CHIP C 120PF	J	
C251			CC73GCH1H101J	CHIP C 100PF	J	
C253-256			CQ93FMG1H222J	MYLAR 2200PF	J	
C257,258			CC73GCH1H100D	CHIP C 10PF	D	
C259,260			CC73GCH1H271J	CHIP C 270PF	J	
C261			CC73GCH1H220J	CHIP C 22PF	J	
C262			CC73GCH1H470J	CHIP C 47PF	J	
C263			CC73GCH1H560J	CHIP C 56PF	J	
C264			CC73GCH1H330J	CHIP C 33PF	J	
C265			CK73GB1H122K	CHIP C 1200PF	K	
C266			CK73GB1H471K	CHIP C 470PF	K	
C267,268			CE04KW1C331M	ELECTRO 330UF	16WV	
C273			CC73GCH1H220J	CHIP C 22PF	J	
C274			CC73GCH1H050C	CHIP C 5.0PF	C	
C275			CC73GCH1H100D	CHIP C 10PF	D	
C276-278			CC73GCH1H050C	CHIP C 5.0PF	C	
C279-286			CC73GCH1H100D	CHIP C 10PF	D	
C300			CE04RW1A101M	ELECTRO 100UF	10WV	
C301			CK73GB1C104K	CHIP C 0.10UF	K	
C303			CK73GF1A105Z	CHIP C 1.0UF	Z	
C304			CK73GB1H821K	CHIP C 820PF	K	
C306			CK73GB1C104K	CHIP C 0.10UF	K	
C308			CK73GB1C104K	CHIP C 0.10UF	K	
C310			CK73GB1C104K	CHIP C 0.10UF	K	
C311			CC73GCH1H100D	CHIP C 10PF	D	
C312			CC73GCH1H390J	CHIP C 39PF	J	
C313			CC73GCH1H470J	CHIP C 47PF	J	
C315			CK73GB1C104K	CHIP C 0.10UF	K	
C316			CC73GCH1H101J	CHIP C 100PF	J	
C317			CK73GB1H102K	CHIP C 1000PF	K	
C319			CC73GCH1H100D	CHIP C 10PF	D	
C321-323			CE04RW1A101M	ELECTRO 100UF	10WV	
C324			CK73GB1C104K	CHIP C 0.10UF	K	
C325-327		*	CE04RW1C680M	ELECTRO 68UF	16WV	
C328			CC73GCH1H060D	CHIP C 6.0PF	D	
C329-332			CC73GCH1H470J	CHIP C 47PF	J	
C333			CC73GCH1H220J	CHIP C 22PF	J	
C334			CC73GCH1H220J	CHIP C 22PF	J	ET
C335			CK73GB1C104K	CHIP C 0.10UF	K	ET
C336			CC73GCH1H040C	CHIP C 4.0PF	C	ET
C339			CE04RW1A101M	ELECTRO 100UF	10WV	
C340		*	CK73FB1A334K	CHIP C 0.33UF	K	
C341,342		*	CE04RW1C680M	ELECTRO 68UF	16WV	ET
C343			CK73GB1H102K	CHIP C 1000PF	K	ET
C344		*	CE04RW1C680M	ELECTRO 68UF	16WV	ET
C345-347			CK73GB1C104K	CHIP C 0.10UF	K	
C348-352			CC73GCH1H470J	CHIP C 47PF	J	
C355			CE04RW1A101M	ELECTRO 100UF	10WV	
C356		*	CK73FB1A334K	CHIP C 0.33UF	K	
C357,358			CC73GCH1H050C	CHIP C 5.0PF	C	
C359,360			CE04RW1A221M	ELECTRO 220UF	10WV	
C361-363			CC73GCH1H101J	CHIP C 100PF	J	ET
C364-366			CE04RW1C100M	ELECTRO 10UF	16WV	ET

L: Scandinavia K: USA P: Canada R: Mexico C: China I: Malaysia  
 Y: PX(Far East,Hawaii) T: England E: Europe G: Germany V: China(Shanghai)  
 Y: AAFES(Europe) X: Australia Q: Russia H: Korea M: Other Areas  $\Delta$  indicates safety critical components.

\* New Parts

Parts without **Parts No.** are not supplied.  
 Les articles non mentionnés dans le **Parts No.** ne sont pas fournis.  
 Teile ohne **Parts No.** werden nicht geliefert.

8

Ref. No	Address	New Parts	Parts No.	Description	Destination	Remarks
C367			CC73GCH1H050C	CHIP C 5.0PF	C	
C368			CQ93FMG1H224J	MYLAR 0.22UF	J	
C370-375			CC73GCH1H470J	CHIP C 47PF	J	
C376			CC73GCH1H560J	CHIP C 56PF	J	
C380			CE04KW1C102M	ELECTRO 1000UF	16WV	
C400			CC73GCH1H050C	CHIP C 5.0PF	C	ET
C401,402			CK73GB1C104K	CHIP C 0.10UF	K	ET
C403			CE04RW1H010M	ELECTRO 1.0UF	50WV	ET
C404			CE04RW1C220M	ELECTRO 22UF	16WV	ET
C405-409			CE04RW1H010M	ELECTRO 1.0UF	50WV	ET
C410			CE04RW1C101M	ELECTRO 100UF	16WV	ET
C411			CK73GB1H821K	CHIP C 820PF	K	ET
C413			CC73GCH1H101J	CHIP C 100PF	J	ET
C414,415			CE04DW1C471M	ELECTRO 470UF	16WV	ET
C416			CK73GB1C104K	CHIP C 0.10UF	K	ET
C417,418			CE04RW1C100M	ELECTRO 10UF	16WV	ET
C420,421			CE04RW1C100M	ELECTRO 10UF	16WV	ET
C423			CE04RW1C100M	ELECTRO 10UF	16WV	ET
C425			CE04RW1C100M	ELECTRO 10UF	16WV	ET
C426			CC73GCH1H101J	CHIP C 100PF	J	ET
C427			CE04RW1C100M	ELECTRO 10UF	16WV	ET
C428			CC73GCH1H101J	CHIP C 100PF	J	ET
C429			CK73GB1C104K	CHIP C 0.10UF	K	ET
C430			CK73GB1H102K	CHIP C 1000PF	K	ET
C431			CE04DW1C471M	ELECTRO 470UF	16WV	ET
C432			CE04RW1C100M	ELECTRO 10UF	16WV	ET
C434			CE04DW1C471M	ELECTRO 470UF	16WV	ET
C435			CE04RW1C100M	ELECTRO 10UF	16WV	ET
C437			CE04DW1C471M	ELECTRO 470UF	16WV	ET
C438			CE04RW1C100M	ELECTRO 10UF	16WV	ET
C441-444			CC73GCH1H221J	CHIP C 220PF	J	ET
C448			CC73GCH1H221J	CHIP C 220PF	J	ET
C451-453			CC73GCH1H221J	CHIP C 220PF	J	ET
C457			CC73GCH1H101J	CHIP C 100PF	J	ET
C500			CK73GB1H102K	CHIP C 1000PF	K	
C501			CK73GF1A105Z	CHIP C 1.0UF	Z	
C503			CK73GB1H102K	CHIP C 1000PF	K	
C504			CC73GCH1H050C	CHIP C 5.0PF	C	
C505			CE04KW1E470M	ELECTRO 47UF	25WV	
C506			CK73GB1H103K	CHIP C 0.010UF	K	
C507			CK73GB1H102K	CHIP C 1000PF	K	
C508,509			CC73GCH1H150J	CHIP C 15PF	J	
C510-515			CK73GB1H102K	CHIP C 1000PF	K	
C516-518			CC73GCH1H470J	CHIP C 47PF	J	
C519			CK73GB1H102K	CHIP C 1000PF	K	
C520			CE04KW1A470M	ELECTRO 47UF	10WV	
C521			CK73GF1A105Z	CHIP C 1.0UF	Z	
CN1			E40-3249-05	PIN ASSY		
CN3,4			E40-8633-05	PIN ASSY		
CN5			E40-4912-05	FLAT CABLE CONNECTOR		
CN6			E40-4901-05	FLAT CABLE CONNECTOR		
CN7			E40-8632-05	PIN ASSY		
CN8			E40-3254-05	PIN ASSY		ET
CN9			E40-3257-05	PIN ASSY		ET

L: Scandinavia K: USA P: Canada R: Mexico C: China I: Malaysia  
 Y: PX(Far East,Hawaii) T: England E: Europe G: Germany V: China(Shanghai)  
 Y: AAFES(Europe) X: Australia Q: Russia H: Korea M: Other Areas  $\Delta$  indicates safety critical components.

DV-4070-B/4900/DVF-R7030-B/R9030  
 PARTS LIST

\* New Parts  
Parts without **Parts No.** are not supplied.  
Les articles non mentionnés dans le **Parts No.** ne sont pas fournis.  
Teile ohne **Parts No.** werden nicht geliefert.

9

Ref. No	Add-ress	New Parts	Parts No.	Description	Desti-nation	Re-marks
J1		*	E63-1171-05	PIN JACK		
J2		*	E63-1128-05	PIN JACK		
J4		*	E63-1158-05	PIN JACK		
J5 ,6		*	E56-0031-05	CYLINDRICAL RECEPTACLE		
J7		*	E63-1156-05	PIN JACK		
J8 ,9		*	E58-0027-05	RECTANGULAR RECEPTACLE	ET	
E1			J11-0808-05	WIRE CLAMPER		
L1 -7		*	L92-0520-05	FERRITE CORE		
L8 ,9			L40-4791-58	SMALL FIXED INDUCTOR(4.7UH,K)		
L10 -12		*	L92-0520-05	FERRITE CORE		
L200			L92-0070-05	FERRITE CORE	K	
L300			L40-1001-58	SMALL FIXED INDUCTOR(10UH,K)		
L301			L40-2201-58	SMALL FIXED INDUCTOR(22UH,K)		
L302,303			L40-1001-58	SMALL FIXED INDUCTOR(10UH,K)		
X1			L77-2299-05	CRYSTAL RESONATOR(36.864MHZ)		
X2			L77-2300-05	CRYSTAL RESONATOR(33.8688MHZ)		
X3			L78-0636-05	RESONATOR (20MHZ)		
R1 ,2			RK73GB1J223J	CHIP R 22K J 1/16W		
R3			RK73GB1J105J	CHIP R 1.0M J 1/16W		
R4			RK73GB1J222J	CHIP R 2.2K J 1/16W		
R5			RK73GB1J105J	CHIP R 1.0M J 1/16W		
R6			RK73GB1J222J	CHIP R 2.2K J 1/16W		
R8			RK73GB1J102J	CHIP R 1.0K J 1/16W		
R9			RK73GB1J1R0J	CHIP R 1 J 1/16W		
R10 ,11			RK73GB1J3R9J	CHIP R 3.9 J 1/16W		
R12 ,13			RK73GB1J105J	CHIP R 1.0M J 1/16W		
R14			RK73GB1J3R9J	CHIP R 3.9 J 1/16W		
R15			RK73GB1J1R0J	CHIP R 1 J 1/16W		
R16 -18			RK73GB1J3R9J	CHIP R 3.9 J 1/16W		
R19			RK73GB1J1R0J	CHIP R 1 J 1/16W		
R20			RK73GB1J3R9J	CHIP R 3.9 J 1/16W		
R21 -24			RK73GB1J561J	CHIP R 560 J 1/16W		
R25 -28			RK73GB1J271J	CHIP R 270 J 1/16W		
R29 ,30			RK73GB1J102J	CHIP R 1.0K J 1/16W		
R31 -34			RK73GB1J271J	CHIP R 270 J 1/16W		
R35 ,36			RK73GB1J102J	CHIP R 1.0K J 1/16W		
R37 -40			RK73GB1J471J	CHIP R 470 J 1/16W		
R41 -44			RK73GB1J511J	CHIP R 510 J 1/16W		
R45 -48			RK73GB1J102J	CHIP R 1.0K J 1/16W		
R49 ,50			RK73GB1J104J	CHIP R 100K J 1/16W		
R51 ,52			RK73GB1J561J	CHIP R 560 J 1/16W		
R53 ,54			RK73GB1J224J	CHIP R 220K J 1/16W		
R55 ,56			RK73GB1J471J	CHIP R 470 J 1/16W		
R57 ,58			RK73GB1J224J	CHIP R 220K J 1/16W		
R59 ,60			RK73GB1J471J	CHIP R 470 J 1/16W		
R61 ,62			RK73GB1J104J	CHIP R 100K J 1/16W		
R63 ,64			RK73GB1J224J	CHIP R 220K J 1/16W		
R65 ,66			RK73GB1J3R9J	CHIP R 3.9 J 1/16W		
R67 ,68			RS14KB3D5R6J	FL-PROOF RS 5.6 J 2W		
R69			RS14KB3D1R8J	FL-PROOF RS 1.8 J 2W		
R70			RD14NB2E220J	RD 22 J 1/4W		
R71 ,72			RK73GB1J104J	CHIP R 100K J 1/16W		
R73 ,74			RK73GB1J181J	CHIP R 180 J 1/16W		

L : Scandinavia K : USA P : Canada R : Mexico C : China I : Malaysia  
Y : PX(Far East,Hawaii) T : England E : Europe G : Germany V : China(Shanghai)  
Y : AAFES(Europe) X : Australia Q : Russia H : Korea M : Other Areas  $\Delta$  indicates safety critical components.

\* New Parts  
Parts without **Parts No.** are not supplied.  
Les articles non mentionnés dans le **Parts No.** ne sont pas fournis.  
Teile ohne **Parts No.** werden nicht geliefert.

10

Ref. No	Add-ress	New Parts	Parts No.	Description	Desti-nation	Re-marks
R75 ,76			RK73GB1J102J	CHIP R 1.0K J 1/16W		
R77 ,78			RK73GB1J181J	CHIP R 180 J 1/16W		
R79 ,80			RK73GB1J102J	CHIP R 1.0K J 1/16W		
R81 ,82			RK73GB1J151J	CHIP R 150 J 1/16W		
R83 -86			RK73FB2A562J	CHIP R 5.6K J 1/10W		
R87			RK73GB1J181J	CHIP R 180 J 1/16W		
R88			RK73GB1J750J	CHIP R 75 J 1/16W		
R89			RK73GB1J220J	CHIP R 22 J 1/16W		
R90			RK73GB1J221J	CHIP R 220 J 1/16W		
R91 -93			RK73GB1J101J	CHIP R 100 J 1/16W		
R94 -99			RK73GB1J101J	CHIP R 100 J 1/16W	9	
R100			RK73GB1J100J	CHIP R 10 J 1/16W		
R101			RK73GB1J102J	CHIP R 1.0K J 1/16W	9	
R102			RK73GB1J100J	CHIP R 10 J 1/16W		
R103			RK73GB1J3R9J	CHIP R 3.9 J 1/16W	9	
R104			RK73GB1J3R9J	CHIP R 3.9 J 1/16W		
R105,106			RK73GB1J473J	CHIP R 47K J 1/16W		
R107			RK73GB1J100J	CHIP R 10 J 1/16W		
R108			RS14KB3D101J	FL-PROOF RS 100 J 2W		
R109			RD14NB2E6R8J	RD 6.8 J 1/4W		
R110			RK73GB1J101J	CHIP R 100 J 1/16W		
R111			RK73GB1J221J	CHIP R 220 J 1/16W		
R112			RK73GB1J471J	CHIP R 470 J 1/16W		
R113			RK73GB1J221J	CHIP R 220 J 1/16W		
R114			RK73GB1J101J	CHIP R 100 J 1/16W		
R115,116			RK73GB1J100J	CHIP R 10 J 1/16W	9	
R117,118			RK73GB1J100J	CHIP R 10 J 1/16W		
R119,120			RK73GB1J104J	CHIP R 100K J 1/16W		
R121,122			RK73GB1J181J	CHIP R 180 J 1/16W		
R123,124			RK73GB1J102J	CHIP R 1.0K J 1/16W		
R125,126			RK73GB1J181J	CHIP R 180 J 1/16W		
R127,128			RK73GB1J102J	CHIP R 1.0K J 1/16W		
R129,130			RK73GB1J151J	CHIP R 150 J 1/16W		
R131			RK73GB1J100J	CHIP R 10 J 1/16W		
R132-134			RK73GB1J101J	CHIP R 100 J 1/16W		
R135			RK73GB1J100J	CHIP R 10 J 1/16W		
R136-138			RK73GB1J101J	CHIP R 100 J 1/16W		
R139			RK73GB1J100J	CHIP R 10 J 1/16W		
R140			RK73GB1J101J	CHIP R 100 J 1/16W		
R141			RK73GB1J104J	CHIP R 100K J 1/16W		
R142			RK73GB1J472J	CHIP R 4.7K J 1/16W		
R143			RK73GB1J102J	CHIP R 1.0K J 1/16W	9	
R144			RK73GB1J100J	CHIP R 10 J 1/16W		
R145			RK73GB1J3R9J	CHIP R 3.9 J 1/16W	9	
R146			RK73GB1J3R9J	CHIP R 3.9 J 1/16W		
R147-149			RK73GB1J100J	CHIP R 10 J 1/16W		
R151,152			RK73GB1J224J	CHIP R 220K J 1/16W		
R153-156			RK73GB1J470J	CHIP R 47 J 1/16W		
R157			RK73GB1J1R0J	CHIP R 1 J 1/16W		
R159,160			RK73GB1J101J	CHIP R 100 J 1/16W		
R161,162			RK73GB1J104J	CHIP R 100K J 1/16W		
R163,164			RK73GB1J181J	CHIP R 180 J 1/16W		
R165			RK73GB1J102J	CHIP R 1.0K J 1/16W		
R167			RK73GB1J102J	CHIP R 1.0K J 1/16W		
R168,169			RK73GB1J181J	CHIP R 180 J 1/16W		

L : Scandinavia K : USA P : Canada R : Mexico C : China I : Malaysia  
Y : PX(Far East,Hawaii) T : England E : Europe G : Germany V : China(Shanghai)  
Y : AAFES(Europe) X : Australia Q : Russia H : Korea M : Other Areas  $\Delta$  indicates safety critical components.

\* New Parts

Parts without **Parts No.** are not supplied.  
 Les articles non mentionnés dans le **Parts No.** ne sont pas fournis.  
 Teile ohne **Parts No.** werden nicht geliefert.

11

Ref. No	Address	New Parts	Parts No.	Description	Quantity	Unit	Lead Time	Destination	Remarks
R170,171			RK73GB1J102J	CHIP R	1.0K	J	1/16W		
R172,173			RK73GB1J151J	CHIP R	150	J	1/16W		
R174			RK73GB1J3R3J	CHIP R	3.3	J	1/16W		
R175,176			RK73GB1J561J	CHIP R	560	J	1/16W		
R179,180			RK73GB1J561J	CHIP R	560	J	1/16W		
R181,182			RK73GB1J103J	CHIP R	10K	J	1/16W		
R183,184			RK73GB1J752J	CHIP R	7.5K	J	1/16W		
R185,186			RK73GB1J224J	CHIP R	220K	J	1/16W		
R187			RK73GB1J104J	CHIP R	100K	J	1/16W		
R188			RK73GB1J332J	CHIP R	3.3K	J	1/16W		
R197,198			RK73GB1J470J	CHIP R	47	J	1/16W		
R201,202			RK73GB1J104J	CHIP R	100K	J	1/16W		
R203,204			RK73GB1J181J	CHIP R	180	J	1/16W		
R205,206			RK73GB1J102J	CHIP R	1.0K	J	1/16W		
R207,208			RK73GB1J181J	CHIP R	180	J	1/16W		
R209,210			RK73GB1J102J	CHIP R	1.0K	J	1/16W		
R211,212			RK73GB1J151J	CHIP R	150	J	1/16W		
R213-215			RK73GB1J1R0J	CHIP R	1	J	1/16W		
R216-221			RK73GB1J1R0J	CHIP R	1	J	1/16W	9	
R222			RK73GB1J3R9J	CHIP R	3.9	J	1/16W		
R223-230			RK73GB1J561J	CHIP R	560	J	1/16W		
R231-234			RK73GB1J272J	CHIP R	2.7K	J	1/16W		
R235,236			RK73GB1J561J	CHIP R	560	J	1/16W		
R237,238			RK73GB1J471J	CHIP R	470	J	1/16W		
R239,240			RK73GB1J472J	CHIP R	4.7K	J	1/16W		
R241-248			RK73GB1J561J	CHIP R	560	J	1/16W		
R249-252			RK73GB1J272J	CHIP R	2.7K	J	1/16W		
R253,254			RK73GB1J561J	CHIP R	560	J	1/16W		
R255,256			RK73GB1J471J	CHIP R	470	J	1/16W		
R257,258			RK73GB1J472J	CHIP R	4.7K	J	1/16W		
R259			RK73GB1J3R9J	CHIP R	3.9	J	1/16W		
R260			RK73GB1J472J	CHIP R	4.7K	J	1/16W		
R261-264			RK73GB1J511J	CHIP R	510	J	1/16W		
R265-268			RK73GB1J100J	CHIP R	10	J	1/16W		
R269-272			RK73GB1J102J	CHIP R	1.0K	J	1/16W		
R273,274			RK73GB1J472J	CHIP R	4.7K	J	1/16W		
R275,276			RK73FB2A562J	CHIP R	5.6K	J	1/10W		
R277,278			RK73GB1J1R0J	CHIP R	1	J	1/16W		
R280-285			RK73GB1J101J	CHIP R	100	J	1/16W		
R286,287			RK73GB1J470J	CHIP R	47	J	1/16W		
R288-293			RK73GB1J101J	CHIP R	100	J	1/16W		
R294-297			RK73GB1J100J	CHIP R	10	J	1/16W		
R301			RK73GB1J101J	CHIP R	100	J	1/16W		
R302			RK73GB1J472J	CHIP R	4.7K	J	1/16W		
R303-307			RK73GB1J473J	CHIP R	47K	J	1/16W		
R308			RK73GB1J105J	CHIP R	1.0M	J	1/16W		
R310			RK73GB1J473J	CHIP R	47K	J	1/16W		
R311			RK73GB1J473J	CHIP R	47K	J	1/16W	ETMX	
R312			RK73GB1J184J	CHIP R	180K	J	1/16W	M	
R312			RK73GB1J333J	CHIP R	33K	J	1/16W	ET	
R312			RK73GB1J473J	CHIP R	47K	J	1/16W	K	
R312			RK73GB1J683J	CHIP R	68K	J	1/16W	X	
R313			RK73GB1J473J	CHIP R	47K	J	1/16W	E1T1XM	
R314,315			RK73GB1J473J	CHIP R	47K	J	1/16W		
R316			RK73GB1J221J	CHIP R	220	J	1/16W		

L: Scandinavia K: USA P: Canada R: Mexico C: China I: Malaysia  
 Y: PX(Far East,Hawaii) T: England E: Europe G: Germany V: China(Shanghai)  
 Y: AAFES(Europe) X: Australia Q: Russia H: Korea M: Other Areas  $\Delta$  indicates safety critical components.

\* New Parts

Parts without **Parts No.** are not supplied.  
 Les articles non mentionnés dans le **Parts No.** ne sont pas fournis.  
 Teile ohne **Parts No.** werden nicht geliefert.

12

Ref. No	Address	New Parts	Parts No.	Description	Quantity	Unit	Lead Time	Destination	Remarks
R318-324			RK73GB1J473J	CHIP R	47K	J	1/16W		
R325			RK73GB1J221J	CHIP R	220	J	1/16W		
R326			RK73GB1J473J	CHIP R	47K	J	1/16W		
R327			RK73GB1J102J	CHIP R	1.0K	J	1/16W		
R328			RK73GB1J222J	CHIP R	2.2K	J	1/16W		
R329			RK73GB1J102J	CHIP R	1.0K	J	1/16W		
R331,332			RK73GB1J1R0J	CHIP R	1	J	1/16W		
R335-337			RK73GB1J472J	CHIP R	4.7K	J	1/16W		
R340-352			RK73GB1J473J	CHIP R	47K	J	1/16W		
R353			RK73GB1J105J	CHIP R	1.0M	J	1/16W		
R354,355			RK73GB1J3R3J	CHIP R	3.3	J	1/16W		
R356			RK73GB1J473J	CHIP R	47K	J	1/16W	7	
R357-371			RK73GB1J101J	CHIP R	100	J	1/16W		
R373-386			RK73GB1J101J	CHIP R	100	J	1/16W		
R391-394			RK73GB1J473J	CHIP R	47K	J	1/16W		
R398,399			RK73GB1J473J	CHIP R	47K	J	1/16W		
R401			RK73GB1J101J	CHIP R	100	J	1/16W		
R402			RK73GB1J103J	CHIP R	10K	J	1/16W		
R403			RK73GB1J100J	CHIP R	10	J	1/16W		
R404			RK73GB1J101J	CHIP R	100	J	1/16W		
R407			RK73GB1J101J	CHIP R	100	J	1/16W		
R408			RK73GB1J102J	CHIP R	1.0K	J	1/16W	ET	
R410			RK73GB1J101J	CHIP R	100	J	1/16W		
R411			RK73GB1J3R9J	CHIP R	3.9	J	1/16W		
R413			RK73GB1J101J	CHIP R	100	J	1/16W		
R414			RK73GB1J3R9J	CHIP R	3.9	J	1/16W		
R415,416			RK73GB1J561J	CHIP R	560	J	1/16W		
R417,418			RK73GB1J302J	CHIP R	3.0K	J	1/16W		
R419			RK73GB1J472J	CHIP R	4.7K	J	1/16W		
R420			RK73GB1J101J	CHIP R	100	J	1/16W		
R421			RK73GB1J222J	CHIP R	2.2K	J	1/16W		
R422			RK73GB1J101J	CHIP R	100	J	1/16W		
R423			RK73GB1J392J	CHIP R	3.9K	J	1/16W		
R424			RK73GB1J103J	CHIP R	10K	J	1/16W		
R425			RK73GB1J101J	CHIP R	100	J	1/16W		
R426			RK73GB1J222J	CHIP R	2.2K	J	1/16W		
R427			RK73GB1J102J	CHIP R	1.0K	J	1/16W		
R428			RK73GB1J101J	CHIP R	100	J	1/16W		
R429			RK73GB1J470J	CHIP R	47	J	1/16W		
R434			RK73GB1J103J	CHIP R	10K	J	1/16W		
R435			RK73GB1J101J	CHIP R	100	J	1/16W		
R436			RK73GB1J222J	CHIP R	2.2K	J	1/16W		
R437			RK73GB1J101J	CHIP R	100	J	1/16W		
R438-440			RK73GB1J911J	CHIP R	910	J	1/16W		
R441			RK73GB1J103J	CHIP R	10K	J	1/16W		
R442			RK73GB1J101J	CHIP R	100	J	1/16W		
R443			RK73GB1J222J	CHIP R	2.2K	J	1/16W		
R444			RK73GB1J101J	CHIP R	100	J	1/16W		
R445,446			RK73GB1J122J	CHIP R	1.2K	J	1/16W		
R447			RK73GB1J103J	CHIP R	10K	J	1/16W		
R448			RK73GB1J101J	CHIP R	100	J	1/16W		
R449			RK73GB1J222J	CHIP R	2.2K	J	1/16W		
R450			RK73GB1J101J	CHIP R	100	J	1/16W		
R451,452			RK73GB1J122J	CHIP R	1.2K	J	1/16W		
R453			RK73GB1J1R0J	CHIP R	1	J	1/16W		

L: Scandinavia K: USA P: Canada R: Mexico C: China I: Malaysia  
 Y: PX(Far East,Hawaii) T: England E: Europe G: Germany V: China(Shanghai)  
 Y: AAFES(Europe) X: Australia Q: Russia H: Korea M: Other Areas  $\Delta$  indicates safety critical components.

DV-4070-B/4900/DVF-R7030-B/R9030  
 PARTS LIST

\* New Parts

Parts without **Parts No.** are not supplied.Les articles non mentionnés dans le **Parts No.** ne sont pas fournis.Teile ohne **Parts No.** werden nicht geliefert.

13

Ref. No	Address	New Parts	Parts No.	Description	Destination	Remarks
R454			RK73GB1J4R7J	CHIP R 4.7 J 1/16W	ET	
R455			RK73GB1J4R7J	CHIP R 4.7 J 1/16W		
R456			RK73GB1J101J	CHIP R 100 J 1/16W		
R457			RK73GB1J391J	CHIP R 390 J 1/16W		
R458			RK73GB1J101J	CHIP R 100 J 1/16W		
R459			RK73GB1J391J	CHIP R 390 J 1/16W		
R465			RK73GB1J103J	CHIP R 10K J 1/16W		
R466			RK73GB1J222J	CHIP R 2.2K J 1/16W		
R467			RK73GB1J101J	CHIP R 100 J 1/16W		
R468			RK73GB1J102J	CHIP R 1.0K J 1/16W		
R469			RK73GB1J470J	CHIP R 47 J 1/16W		
R470-478			RK73GB1J680J	CHIP R 68 J 1/16W		
R479			RK73GB1J102J	CHIP R 1.0K J 1/16W		
R480,481			RK73GB1J911J	CHIP R 910 J 1/16W		
R500			RK73GB1J151J	CHIP R 150 J 1/16W	ET	
R501,502			RK73GB1J750J	CHIP R 75 J 1/16W	ET	
R503			RK73GB1J151J	CHIP R 150 J 1/16W	ET	
R504			RK73GB1J101J	CHIP R 100 J 1/16W	ET	
R505			RK73GB1J472J	CHIP R 4.7K J 1/16W	ET	
R506			RK73GB1J103J	CHIP R 10K J 1/16W	ET	
R507-511			RK73GB1J101J	CHIP R 100 J 1/16W	ET	
R512,513			RK73GB1J473J	CHIP R 47K J 1/16W		
R514,515			RK73GB1J101J	CHIP R 100 J 1/16W	ET	
R516			RK73GB1J151J	CHIP R 150 J 1/16W	ET	
R517,518			RK73GB1J750J	CHIP R 75 J 1/16W	ET	
R519			RK73GB1J151J	CHIP R 150 J 1/16W	ET	
R520-523			RK73GB1J101J	CHIP R 100 J 1/16W	ET	
R524-526			RK73GB1J472J	CHIP R 4.7K J 1/16W	ET	
R527			RK73GB1J680J	CHIP R 68 J 1/16W	ET	
R528			RK73GB1J472J	CHIP R 4.7K J 1/16W	ET	
R529			RK73GB1J223J	CHIP R 22K J 1/16W	ET	
R530-537			RK73GB1J151J	CHIP R 150 J 1/16W	ET	
R538-543			RK73GB1J750J	CHIP R 75 J 1/16W	ET	
R544			RK73GB1J1R0J	CHIP R 1 J 1/16W	ET	
R545			RK73GB1J3R3J	CHIP R 3.3 J 1/16W	ET	
R546-548			RK73GB1J113J	CHIP R 11K J 1/16W		
R549			RK73GB1J104J	CHIP R 100K J 1/16W		
R550			RK73GB1J332J	CHIP R 3.3K J 1/16W	ET	
R551			RK73GB1J562J	CHIP R 5.6K J 1/16W	ET	
R552,553			RK73GB1J332J	CHIP R 3.3K J 1/16W	ET	
R554			RK73GB1J472J	CHIP R 4.7K J 1/16W	ET	
R555-557			RK73GB1J223J	CHIP R 22K J 1/16W	ET	
R558			RK73GB1J222J	CHIP R 2.2K J 1/16W		
R559			RK73GB1J105J	CHIP R 1.0M J 1/16W		
R560			RK73GB1J102J	CHIP R 1.0K J 1/16W		
W1 -13			R92-1963-05	JUMPER WIRE (RESISTOR TYPE)	K2	
W1 -3			R92-1963-05	JUMPER WIRE (RESISTOR TYPE)	K1XM	
W4 -10			R92-1963-05	JUMPER WIRE (RESISTOR TYPE)	E2T2	
W10			R92-1963-05	JUMPER WIRE (RESISTOR TYPE)	E1T1	
W10 -13			R92-1963-05	JUMPER WIRE (RESISTOR TYPE)	K1XM	
D1			DAP202U	DIODE		
D2 ,3			KV1832E	VARIABLE CAPACITANCE DIODE		
D5			UDZ6.8B	ZENER DIODE		
D8 -14			U1BC44	DIODE		
D15			MA111	DIODE	ET	

L : Scandinavia

K : USA

P : Canada

R : Mexico

C : China

I : Malaysia

Y : PX(Far East,Hawaii)

T : England

E : Europe

G : Germany

V : China(Shanghai)

Y : AAFES(Europe)

X : Australia

Q : Russia

H : Korea

M : Other Areas

△ indicates safety critical components.

DV-4070-B/4900/DVF-R7030-B/R9030  
PARTS LIST

\* New Parts

Parts without **Parts No.** are not supplied.Les articles non mentionnés dans le **Parts No.** ne sont pas fournis.Teile ohne **Parts No.** werden nicht geliefert.

14

Ref. No	Address	New Parts	Parts No.	Description	Destination	Remarks
D16			DA204U	DIODE		
D17			MA111	DIODE		
D18			DA204U	DIODE		
D19			UDZ3.9B	ZENER DIODE		
D20 -22			DA204U	DIODE		
D23 ,24			MA111	DIODE		
D25			DAN202U	DIODE		
D26			UDZ5.6B	ZENER DIODE		
IC1			KAN06	MOS-IC	9	
IC2 ,3			KAN06	MOS-IC		
IC4		*	AK4394-VF	MOS-IC		
IC5 ,6			AK4393-VF	MOS-IC		
IC7 -15			NJM4580ED	ANALOGUE IC		
IC16			TC74VHC08FT	MOS-IC		
IC17			TC7SHU04FU	MOS-IC		
IC18			NJU3711M	MOS-IC		
IC19			TC74HCT7007AF	MOS-IC		
IC20			TC7WH34FU	MOS-IC		
IC21			PST9128NR	ANALOGUE IC		
IC22			TC7WH74FU	MOS-IC		
IC24			TC7WH157FU	MOS-IC		
IC26,27			TC7SHU04FU	MOS-IC		
IC28-30			NJM4580ED	ANALOGUE IC		
IC31		*	TC74VHC00FT	MOS-IC		
IC32		*	AK4380-VT	MOS-IC		
IC33,34			TC9214AF	MOS-IC		
IC35,36			TA7805S	ANALOGUE IC		
IC37			TA79005S	IC(VOLTAGE REGULATOR/ -5V)		
IC100		*	MN101C28CMA	MI-COM IC		
IC101			S-80740AL-A4	IC(VOLTAGE DETECTOR)		
IC102		*	X25057M-2.7	MEMORY IC		
IC300		*	ML6427	ANALOGUE IC		
IC301		*	MM1221XF	ANALOGUE IC		
IC302		*	MM1234XF	ANALOGUE IC		
IC400		*	MM1443XJ	ANALOGUE IC	ET	
IC401-403		*	MM1224XF	ANALOGUE IC	ET	
Q3 -6			2SC4213(B)	TRANSISTOR		
Q7 ,8			DTA124EUA	DIGITAL TRANSISTOR		
Q9 ,10			DTC124EUA	DIGITAL TRANSISTOR		
Q11			2SC4177(L5,L6)	TRANSISTOR		
Q12			2SA1611(M5,M6)	TRANSISTOR		
Q13 -24			2SC4213(B)	TRANSISTOR		
Q25			DTA124EUA	DIGITAL TRANSISTOR		
Q26 -29			2SC4213(B)	TRANSISTOR		
Q30 -33			DTC124EUA	DIGITAL TRANSISTOR		
Q34			DTA124EUA	DIGITAL TRANSISTOR		
Q100			DTC124EUA	DIGITAL TRANSISTOR		
Q101			2SC4081(R,S)	TRANSISTOR		
Q300			2SC4081(R,S)	TRANSISTOR		
Q301			2SC2714(O,Y)	FET		
Q302,303			2SC4081(R,S)	TRANSISTOR		
Q304			2SA1576A(R,S)	TRANSISTOR		
Q305			2SC4081(R,S)	TRANSISTOR		
Q313			2SA1576A(R,S)	TRANSISTOR		
Q314			2SC4081(R,S)	TRANSISTOR		

L : Scandinavia

K : USA

P : Canada

R : Mexico

C : China

I : Malaysia

Y : PX(Far East,Hawaii)

T : England

E : Europe

G : Germany

V : China(Shanghai)

Y : AAFES(Europe)

X : Australia

Q : Russia

H : Korea

M : Other Areas

△ indicates safety critical components.

\* New Parts  
 Parts without **Parts No.** are not supplied.  
 Les articles non mentionnés dans le **Parts No.** ne sont pas fournis.  
 Teile ohne **Parts No.** werden nicht geliefert.

15

Ref. No	Add-ress	New Parts	Parts No.	Description	Desti-nation	Re-marks
Q315			2SA1576A(R,S)	TRANSISTOR		
Q316			2SC4081(R,S)	TRANSISTOR		
Q317			2SA1576A(R,S)	TRANSISTOR		
Q318,319			2SC4081(R,S)	TRANSISTOR		
Q320			2SA1576A(R,S)	TRANSISTOR		
Q321,322			2SC4081(R,S)	TRANSISTOR		
Q397			DTC124EUA	DIGITAL TRANSISTOR	ET	
Q398,399			2SC4081(R,S)	TRANSISTOR	ET	
Q400			DTA143TUA	DIGITAL TRANSISTOR	ET	
Q401,402			2SC4081(R,S)	TRANSISTOR	ET	
Q403,404			DTC124EUA	DIGITAL TRANSISTOR	ET	
Q405			2SA1576A(R,S)	TRANSISTOR	ET	
Q406			2SC4081(R,S)	TRANSISTOR	ET	
Q407,408			2SA1576A(R,S)	TRANSISTOR	ET	
Q409			DTA113ZUA	DIGITAL TRANSISTOR	ET	
Q410			2SA1576A(R,S)	TRANSISTOR	ET	
Q411			2SC4081(R,S)	TRANSISTOR	ET	
Q412,413			DTA124EUA	DIGITAL TRANSISTOR	ET	
A1			W02-2732-05	OSCILLATING MODULE		
<b>VIDEO (X35-2240-10)</b>						
C1 ,2			CK73GB1C104K	CHIP C	0.10UF	K
C3			C92-0047-05	CHIP-ELE	47UF	6.3WV
C5 ,6			C92-0041-05	CHIP-ELE	10UF	10WV
C7			CC73GCH1H471J	CHIP C	470PF	J
C8			CK73GB1C104K	CHIP C	0.10UF	K
C9			CC73GCH1H560J	CHIP C	56PF	J
C10			CC73GCH1H101J	CHIP C	100PF	J
C11 -13			CK73GB1C104K	CHIP C	0.10UF	K
C14			C92-0041-05	CHIP-ELE	10UF	10WV
C15			CC73GCH1H101J	CHIP C	100PF	J
C16		*	CK73FB1A154K	CHIP C	0.15UF	K
C17 -19			CK73GB1C104K	CHIP C	0.10UF	K
C20			CK73GB1H392K	CHIP C	3900PF	K
C21			CK73GB1C104K	CHIP C	0.10UF	K
C22			CK73GF1A105Z	CHIP C	1.0UF	Z
C23			C92-0041-05	CHIP-ELE	10UF	10WV
C24			CK73GB1C104K	CHIP C	0.10UF	K
C25		*	CK73FB1A334K	CHIP C	0.33UF	K
C26			CK73GB1C104K	CHIP C	0.10UF	K
C27			CC73GCH1H121J	CHIP C	120PF	J
C28			CC73GCH1H221J	CHIP C	220PF	J
C29 -31			CK73GB1C104K	CHIP C	0.10UF	K
C32		*	CK73FB1A224K	CHIP C	0.22UF	K
C33			CK73GB1H102K	CHIP C	1000PF	K
C34			CK73GB1H681K	CHIP C	680PF	K
C35			CK73GB1C104K	CHIP C	0.10UF	K
C36			CK73GF1A105Z	CHIP C	1.0UF	Z
C37			C92-0047-05	CHIP-ELE	47UF	6.3WV
C38			CC73GCH1H221J	CHIP C	220PF	J
C39			CK73GB1C104K	CHIP C	0.10UF	K
C40			CK73GB1H102K	CHIP C	1000PF	K
C41			CK73GB1C104K	CHIP C	0.10UF	K
C42			CC73GCH1H221J	CHIP C	220PF	J
C43		*	CK73FB1A224K	CHIP C	0.22UF	K

L: Scandinavia K: USA P: Canada R: Mexico C: China I: Malaysia  
 Y: PX(Far East,Hawaii) T: England E: Europe G: Germany V: China(Shanghai)  
 Y: AAFES(Europe) X: Australia Q: Russia H: Korea M: Other Areas  $\Delta$  indicates safety critical components.

\* New Parts  
 Parts without **Parts No.** are not supplied.  
 Les articles non mentionnés dans le **Parts No.** ne sont pas fournis.  
 Teile ohne **Parts No.** werden nicht geliefert.

15

Ref. No	Add-ress	New Parts	Parts No.	Description	Desti-nation	Re-marks
C44			CC73GCH1H820J	CHIP C	82PF	J
C45 -48			CK73GB1C104K	CHIP C	0.10UF	K
C49 -51			CK73GF1A105Z	CHIP C	1.0UF	Z
C52			CC73GCH1H221J	CHIP C	220PF	J
C53			CC73GCH1H040C	CHIP C	4.0PF	C
C54			CK73GF1H333Z	CHIP C	0.033UF	Z
C60			C92-0047-05	CHIP-ELE	47UF	6.3WV
C61 ,62			C92-0048-05	ELECTRO	100UF	6.3WV
C63			CK73GB1H103K	CHIP C	0.010UF	K
C77			CK73GF1A105Z	CHIP C	1.0UF	Z
C100			CK73GB1H102K	CHIP C	1000PF	K
C101-104			CK73GF1H333Z	CHIP C	0.033UF	Z
C105			CK73GB1H102K	CHIP C	1000PF	K
C106			CC73GCH1H471J	CHIP C	470PF	J
C107-110			CK73GB1H102K	CHIP C	1000PF	K
C111-113			CK73GB1C104K	CHIP C	0.10UF	K
C114			CK73GB1H392K	CHIP C	3900PF	K
C115			CK73GB1H821K	CHIP C	820PF	K
C116			CC73GCH1H331J	CHIP C	330PF	J
C117			CC73GCH1H471J	CHIP C	470PF	J
C118			CC73GCH1H271J	CHIP C	270PF	J
C119,120			CK73GB1H821K	CHIP C	820PF	K
C121-124			CK73GB1H102K	CHIP C	1000PF	K
C125			CK73GB1C104K	CHIP C	0.10UF	K
C126			CK73GF1A105Z	CHIP C	1.0UF	Z
C127,128			CK73GB1H102K	CHIP C	1000PF	K
C129,130			CK73GB1C104K	CHIP C	0.10UF	K
C132			CC73GCH1H330J	CHIP C	33PF	J
C133			CC73GCH1H331J	CHIP C	330PF	J
C134			CK73GB1C104K	CHIP C	0.10UF	K
C135			CK73GB1H102K	CHIP C	1000PF	K
C136			CK73GF1A105Z	CHIP C	1.0UF	Z
C137			C92-0048-05	ELECTRO	100UF	6.3WV
C138			CK73GB1H103K	CHIP C	0.010UF	K
C150,151			CC73GCH1H050C	CHIP C	5.0PF	C
C200			CK73GB1C104K	CHIP C	0.10UF	K
C201			CK73GB1H102K	CHIP C	1000PF	K
C202-204			CK73GB1H103K	CHIP C	0.010UF	K
C205			CK73GB1H102K	CHIP C	1000PF	K
C206			CK73GB1C104K	CHIP C	0.10UF	K
C207			CK73GB1H102K	CHIP C	1000PF	K
C208-210			CK73GB1C104K	CHIP C	0.10UF	K
C211			C92-0041-05	CHIP-ELE	10UF	10WV
C213,214			CK73GB1C104K	CHIP C	0.10UF	K
C300,301			C92-0041-05	CHIP-ELE	10UF	10WV
C302-309			CK73GB1H102K	CHIP C	1000PF	K
C310			CK73GB1H103K	CHIP C	0.010UF	K
C311-321			CK73GB1H102K	CHIP C	1000PF	K
C322			CK73GB1H103K	CHIP C	0.010UF	K
C323			CK73GB1H102K	CHIP C	1000PF	K
C324			CK73GF1A105Z	CHIP C	1.0UF	Z
C400			CK73GB1H102K	CHIP C	1000PF	K
C401		*	CE32APOG221M	CHIP-ELE	220UF	4WV
C404		*	CE32APOG221M	CHIP-ELE	220UF	4WV
C405-420			CK73GB1H102K	CHIP C	1000PF	K

L: Scandinavia K: USA P: Canada R: Mexico C: China I: Malaysia  
 Y: PX(Far East,Hawaii) T: England E: Europe G: Germany V: China(Shanghai)  
 Y: AAFES(Europe) X: Australia Q: Russia H: Korea M: Other Areas  $\Delta$  indicates safety critical components.

**DV-4070-B/4900/DVF-R7030-B/R9030**  
**PARTS LIST**

\* New Parts

Parts without **Parts No.** are not supplied.Les articles non mentionnés dans le **Parts No.** ne sont pas fournis.Teile ohne **Parts No.** werden nicht geliefert.

17

Ref. No	Add-ress	New Parts	Parts No.	Description	Desti-nation	Re-marks
C421			CC73GCH1H220J	CHIP C 22PF	J	
C422,423			CK73GB1H102K	CHIP C 1000PF	K	
C424-428			CC73GCH1H220J	CHIP C 22PF	J	
C429			CK73GB1H102K	CHIP C 1000PF	K	
C430			CC73GCH1H220J	CHIP C 22PF	J	
C431			CK73GB1C104K	CHIP C 0.10UF	K	
C432			CK73GB1H103K	CHIP C 0.010UF	K	
C433			C92-0041-05	CHIP-ELE 10UF	10WV	
C434			CK73GB1C104K	CHIP C 0.10UF	K	
C435			CK73GF1A105Z	CHIP C 1.0UF	Z	
C436,437			CK73GB1H102K	CHIP C 1000PF	K	
C438-445			CK73GB1C104K	CHIP C 0.10UF	K	
C446-460			CK73GB1H102K	CHIP C 1000PF	K	
C471-482			CK73GB1H102K	CHIP C 1000PF	K	
C483			C92-0041-05	CHIP-ELE 10UF	10WV	
C485			CK73GF1A105Z	CHIP C 1.0UF	Z	
C486			CK73GB1H102K	CHIP C 1000PF	K	
C487			CC73GCH1H050C	CHIP C 5.0PF	C	
C500			C92-0041-05	CHIP-ELE 10UF	10WV	
C501-508			CK73GB1H102K	CHIP C 1000PF	K	
C509			CK73GB1C104K	CHIP C 0.10UF	K	
C510			CK73GB1H102K	CHIP C 1000PF	K	
C511			CC73GCH1H101J	CHIP C 100PF	J	
C512			CK73GB1H103K	CHIP C 0.010UF	K	
C513			CK73GB1H102K	CHIP C 1000PF	K	
C550			C92-0041-05	CHIP-ELE 10UF	10WV	
C551-553			CK73GB1H102K	CHIP C 1000PF	K	
C554,555			CC73GCH1H220J	CHIP C 22PF	J	
C556,557			CK73GB1H102K	CHIP C 1000PF	K	
C600-602			CK73GB1H102K	CHIP C 1000PF	K	
C603,604			CC73GCH1H101J	CHIP C 100PF	J	
C605-607			CK73GB1H102K	CHIP C 1000PF	K	
C608			CC73GCH1H060D	CHIP C 6.0PF	D	
C609-611			CK73GB1H102K	CHIP C 1000PF	K	
C612,613			CK73GB1C104K	CHIP C 0.10UF	K	
C614			CK73GB1H102K	CHIP C 1000PF	K	
C615,616			C92-0048-05	ELECTRO 100UF	6.3WV	
C617			CK73GB1H102K	CHIP C 1000PF	K	
C618			CK73GB1C104K	CHIP C 0.10UF	K	
C620		*	CE32AP0G221M	CHIP-ELE 220UF	4WV	
C700			CK73GB1H102K	CHIP C 1000PF	K	
C701			C92-0041-05	CHIP-ELE 10UF	10WV	
C702-707			CK73GB1H102K	CHIP C 1000PF	K	
CN1		*	E40-8631-05	FLAT CABLE CONNECTOR		
CN2		*	E40-8630-05	FLAT CABLE CONNECTOR		
CN3, 4		*	E40-8628-05	SOCKET FOR PIN ASSY		
CN5		*	E40-8629-05	PIN ASSY		
L1 ,2		*	L92-0520-05	FERRITE CORE		
L3		*	L92-0521-05	FERRITE CORE		
L4 -12		*	L92-0520-05	FERRITE CORE		
L13 -17		*	L92-0521-05	FERRITE CORE		
L18 ,19		*	L92-0520-05	FERRITE CORE		
L20 ,21			L40-1001-39	SMALL FIXED INDUCTOR(10UH,K)		
L100		*	L92-0521-05	FERRITE CORE		

L : Scandinavia K : USA P : Canada R : Mexico C : China I : Malaysia

Y : PX(Far East,Hawaii) T : England E : Europe G : Germany V : China(Shanghai)

Y : AAFES(Europe) X : Australia Q : Russia H : Korea M : Other Areas  $\Delta$  indicates safety critical components.

\* New Parts

Parts without **Parts No.** are not supplied.Les articles non mentionnés dans le **Parts No.** ne sont pas fournis.Teile ohne **Parts No.** werden nicht geliefert.

18

Ref. No	Add-ress	New Parts	Parts No.	Description	Desti-nation	Re-marks
L101			L40-1001-39	SMALL FIXED INDUCTOR(10UH,K)		
L200-203		*	L92-0521-05	FERRITE CORE		
L204-207		*	L92-0520-05	FERRITE CORE		
L208			L40-1001-39	SMALL FIXED INDUCTOR(10UH,K)		
L209-216		*	L92-0520-05	FERRITE CORE		
L300			L40-1001-39	SMALL FIXED INDUCTOR(10UH,K)		
L301		*	L92-0521-05	FERRITE CORE		
L401-410		*	L92-0520-05	FERRITE CORE		
L412-420		*	L92-0520-05	FERRITE CORE		
L500			L40-1001-39	SMALL FIXED INDUCTOR(10UH,K)		
L501		*	L92-0520-05	FERRITE CORE		
L502			L40-2205-34	SMALL FIXED INDUCTOR(22UH)		
L503-506		*	L92-0520-05	FERRITE CORE		
L600			L40-1001-39	SMALL FIXED INDUCTOR(10UH,K)		
L601-607		*	L92-0520-05	FERRITE CORE		
L700		*	L92-0521-05	FERRITE CORE		
X500		*	L77-2298-05	CRYSTAL RESONATOR(27MHZ)		
CP100			R90-0737-05	MULTI-COMP 100K X2		
CP101		*	R90-0978-05	MULTIPLE RESISTOR		
CP300,301			R90-0748-05	MULTI-COMP 47K X4		
CP400,401		*	R90-0978-05	MULTIPLE RESISTOR		
CP500-504			R90-0737-05	MULTI-COMP 100K X2		
R1		*	R92-1958-05	METAL GLAZE RESISTOR		
R2			RK73GB1J223J	CHIP R 22K	J	1/16W
R3			RK73GB1J123J	CHIP R 12K	J	1/16W
R4			RK73GB1J2R2J	CHIP R 2.2	J	1/16W
R5			RK73GB1J564J	CHIP R 560K	J	1/16W
R6			RK73GB1J154J	CHIP R 150K	J	1/16W
R7 ,8			RK73GB1J103J	CHIP R 10K	J	1/16W
R9			RK73GB1J823J	CHIP R 82K	J	1/16W
R10			RK73GB1J393J	CHIP R 39K	J	1/16W
R11			RK73GB1J752J	CHIP R 7.5K	J	1/16W
R12			RK73GB1J123J	CHIP R 12K	J	1/16W
R13			RK73GB1J393J	CHIP R 39K	J	1/16W
R14			RK73GB1J272J	CHIP R 2.7K	J	1/16W
R15			RK73GB1J223J	CHIP R 22K	J	1/16W
R16			RK73GB1J103J	CHIP R 10K	J	1/16W
R17			RK73GB1J223J	CHIP R 22K	J	1/16W
R18			RK73GB1J153J	CHIP R 15K	J	1/16W
R19 ,20			RK73GB1J474J	CHIP R 470K	J	1/16W
R21		*	RK73GB1J155J	CHIP R 1.5M	J	1/16W
R22			RK73GB1J332J	CHIP R 3.3K	J	1/16W
R23			RK73GB1J822J	CHIP R 8.2K	J	1/16W
R24			RK73GB1J183J	CHIP R 18K	J	1/16W
R100			RK73GB1J103J	CHIP R 10K	J	1/16W
R101			RK73GB1J473J	CHIP R 47K	J	1/16W
R102			RK73GB1J223J	CHIP R 22K	J	1/16W
R103			RK73GB1J183J	CHIP R 18K	J	1/16W
R104			RK73GB1J123J	CHIP R 12K	J	1/16W
R105			RK73GB1J822J	CHIP R 8.2K	J	1/16W
R106,107			RK73GB1J473J	CHIP R 47K	J	1/16W
R108			RK73GB1J472J	CHIP R 4.7K	J	1/16W
R109			RK73GB1J470J	CHIP R 47	J	1/16W
R110			RK73GB1J103J	CHIP R 10K	J	1/16W

L : Scandinavia K : USA P : Canada R : Mexico C : China I : Malaysia

Y : PX(Far East,Hawaii) T : England E : Europe G : Germany V : China(Shanghai)

Y : AAFES(Europe) X : Australia Q : Russia H : Korea M : Other Areas  $\Delta$  indicates safety critical components.

\* New Parts

Parts without **Parts No.** are not supplied.  
 Les articles non mentionnés dans le **Parts No.** ne sont pas fournis.  
 Teile ohne **Parts No.** werden nicht geliefert.

19

Ref. No	Address	New Parts	Parts No.	Description	Destination	Remarks
R111			RK73GB1J101J	CHIP R 100	J	1/16W
R112-114			RK73GB1J103J	CHIP R 10K	J	1/16W
R115			RK73GB1J473J	CHIP R 47K	J	1/16W
R116,117			RK73GB1J683J	CHIP R 68K	J	1/16W
R118			RK73GB1J123J	CHIP R 12K	J	1/16W
R119			RK73GB1J101J	CHIP R 100	J	1/16W
R120			RK73GB1J223J	CHIP R 22K	J	1/16W
R121,122			RK73GB1J333J	CHIP R 33K	J	1/16W
R123			RK73GB1J362J	CHIP R 3.6K	J	1/16W
R124-127			RK73GB1J103J	CHIP R 10K	J	1/16W
R129			RK73GB1J103J	CHIP R 10K	J	1/16W
R130			RK73GB1J102J	CHIP R 1.0K	J	1/16W
R131			RK73GB1J472J	CHIP R 4.7K	J	1/16W
R132			RK73GB1J102J	CHIP R 1.0K	J	1/16W
R200			RK73GB1J183J	CHIP R 18K	J	1/16W
R201			RK73GB1J622J	CHIP R 6.2K	J	1/16W
R202,203			RK73GB1J222J	CHIP R 2.2K	J	1/16W
R204,205			RK73GB1J271J	CHIP R 270	J	1/16W
R206-209			RK73GB1J103J	CHIP R 10K	J	1/16W
R210			RK73GB1J473J	CHIP R 47K	J	1/16W
R213			R92-1959-05	METAL GLAZE 0.5	F	1W
R300,301			RK73GB1J102J	CHIP R 1.0K	J	1/16W
R302,303			RK73GB1J473J	CHIP R 47K	J	1/16W
R304			RK73GB1J102J	CHIP R 1.0K	J	1/16W
R400-405			RK73GB1J473J	CHIP R 47K	J	1/16W
R406-411			RK73GB1J221J	CHIP R 220	J	1/16W
R412			RK73GB1J473J	CHIP R 47K	J	1/16W
R413-416			RK73GB1J564J	CHIP R 560K	J	1/16W
R417-424			RK73GB1J102J	CHIP R 1.0K	J	1/16W
R425			RK73GB1J101J	CHIP R 100	J	1/16W
R426			RK73GB1J223J	CHIP R 22K	J	1/16W
R427			RK73GB1J473J	CHIP R 47K	J	1/16W
R428			RK73GB1J153J	CHIP R 15K	J	1/16W
R429			RK73GB1J333J	CHIP R 33K	J	1/16W
R430,431			RK73GB1J473J	CHIP R 47K	J	1/16W
R432-446			RK73GB1J101J	CHIP R 100	J	1/16W
R447			RK73GB1J220J	CHIP R 22	J	1/16W
R448			RK73GB1J101J	CHIP R 100	J	1/16W
R449-458			RK73GB1J3R9J	CHIP R 3.9	J	1/16W
R500			RK73GB1J103J	CHIP R 10K	J	1/16W
R501,502			RK73GB1J473J	CHIP R 47K	J	1/16W
R503			RK73GB1J103J	CHIP R 10K	J	1/16W
R504			RK73GB1J473J	CHIP R 47K	J	1/16W
R505			RK73GB1J472J	CHIP R 4.7K	J	1/16W
R506			RK73GB1J103J	CHIP R 10K	J	1/16W
R507			RK73GB1J472J	CHIP R 4.7K	J	1/16W
R508-510			RK73GB1J473J	CHIP R 47K	J	1/16W
R511			RK73GB1J3R9J	CHIP R 3.9	J	1/16W
R512			RK73GB1J2R2J	CHIP R 2.2	J	1/16W
R513			RK73GB1J473J	CHIP R 47K	J	1/16W
R516,517			RK73GB1J473J	CHIP R 47K	J	1/16W
R520			RK73GB1J102J	CHIP R 1.0K	J	1/16W
R550			RK73GB1J105J	CHIP R 1.0M	J	1/16W
R551			RK73GB1J221J	CHIP R 220	J	1/16W
R553			RK73GB1J105J	CHIP R 1.0M	J	1/16W

L: Scandinavia K: USA P: Canada R: Mexico C: China I: Malaysia  
 Y: PX(Far East,Hawaii) T: England E: Europe G: Germany V: China(Shanghai)  
 Y: AAFES(Europe) X: Australia Q: Russia H: Korea M: Other Areas  $\Delta$  indicates safety critical components.

\* New Parts

Parts without **Parts No.** are not supplied.  
 Les articles non mentionnés dans le **Parts No.** ne sont pas fournis.  
 Teile ohne **Parts No.** werden nicht geliefert.

20

Ref. No	Address	New Parts	Parts No.	Description	Destination	Remarks
R600,601			RK73GB1J101J	CHIP R 100	J	1/16W
R602,603			RK73GB1J473J	CHIP R 47K	J	1/16W
R605,606			RK73GB1J102J	CHIP R 1.0K	J	1/16W
R609			RK73GB1J271J	CHIP R 270	J	1/16W
R610			RK73GB1J102J	CHIP R 1.0K	J	1/16W
R611			RK73GB1J101J	CHIP R 100	J	1/16W
R612			RK73GB1J331J	CHIP R 330	J	1/16W
R613			RK73GB1J102J	CHIP R 1.0K	J	1/16W
R614			RK73GB1J101J	CHIP R 100	J	1/16W
R615			RK73GB1J181J	CHIP R 180	J	1/16W
R616			RK73GB1J102J	CHIP R 1.0K	J	1/16W
R617			RK73GB1J101J	CHIP R 100	J	1/16W
R618			RK73GB1J331J	CHIP R 330	J	1/16W
R619			RK73GB1J102J	CHIP R 1.0K	J	1/16W
R620			RK73GB1J101J	CHIP R 100	J	1/16W
R621			RK73GB1J331J	CHIP R 330	J	1/16W
R622			RK73GB1J102J	CHIP R 1.0K	J	1/16W
R623			RK73GB1J101J	CHIP R 100	J	1/16W
R624			RK73GB1J331J	CHIP R 330	J	1/16W
R626			RK73GB1J151J	CHIP R 150	J	1/16W
VR600-602		*	R32-0093-05	SEMI FIXED VARIABLE RESISTOR		
W1			R92-1963-05	JUMPER WIRE (RESISTOR TYPE)		
D100-102			DA204U	DIODE		
D400			MA111	DIODE		
D500			MA111	DIODE		
D600			MA111	DIODE		
IC1		*	TK11120S	ANALOGUE IC		
IC2			AN8706FHQ	ANALOGUE IC		
IC100			MN67705EA	MOS-IC		
IC201		*	AN8785SB	ANALOGUE IC		
IC202		*	AN8480NSB	ANALOGUE IC		
IC300		*	MN103007B	MOS-IC		
IC301			TC7SH32FU	MOS-IC		
IC302			TC7SH08FU	MOS-IC		
IC400		*	MN677521HB	MOS-IC		
IC401,402		*	EM636165TS-8	MEMORY IC		
IC401,402			HY57V16160DTC	MEMORY IC		
IC403		*	TC7SET04FU	MOS-IC		
IC404		*	PQ2TZ15U	ANALOGUE IC		
IC405,406			TC74HCT7007AF	MOS-IC		
IC407			NJM2115V	ANALOGUE IC		
IC500		*	MN102LP25G	MI-COM IC		
IC501			PST596JNR	ANALOGUE IC		
IC502		*	X25057M-2.7	MEMORY IC		
IC503		*	AT49LV8192A90T	MEMORY IC		
IC504		*	BS62LV1024ST70	MEMORY IC		
IC504		*	KM68U1000E10	MEMORY IC		
IC505,506			TC7SHU04FU	MOS-IC		
IC507,508			TC7WH74FU	MOS-IC		
IC600		*	ADV7190	MOS-IC		
IC601		*	PQ1R33	ANALOGUE IC		
IC700		*	MN5C027D4H	MOS-IC		
IC701		*	TC3W02FU	MOS-IC		
Q1			2SB1115A	TRANSISTOR		

L: Scandinavia K: USA P: Canada R: Mexico C: China I: Malaysia  
 Y: PX(Far East,Hawaii) T: England E: Europe G: Germany V: China(Shanghai)  
 Y: AAFES(Europe) X: Australia Q: Russia H: Korea M: Other Areas  $\Delta$  indicates safety critical components.

DV-4070-B/4900/DVF-R7030-B/R9030  
 PARTS LIST



# DV-4070-B/4900/DVF-R7030-B/R9030

## PARTS LIST

\* New Parts  
 Parts without **Parts No.** are not supplied.  
 Les articles non mentionnés dans le **Parts No.** ne sont pas fournis.  
 Teile ohne **Parts No.** werden nicht geliefert.

Ref. No	Add-ress	New Parts	Parts No.	Description	Desti-nation	Re-marks
Q2			DTC124EUA	DIGITAL TRANSISTOR		
Q3			DTA124EUA	DIGITAL TRANSISTOR		
Q4			DTC124EUA	DIGITAL TRANSISTOR		
Q100			DTC124EUA	DIGITAL TRANSISTOR		
Q200,201			DTC124EUA	DIGITAL TRANSISTOR		
Q202			DTA124EUA	DIGITAL TRANSISTOR		
Q500			2SC4081(R,S)	TRANSISTOR		
Q501			2SA1576A(R,S)	TRANSISTOR		
Q502			DTC124EUA	DIGITAL TRANSISTOR		
Q601-605			2SA1576A(R,S)	TRANSISTOR		

L : Scandinavia  
 K : USA  
 Y : PX(Far East,Hawaii)  
 V : AAFES(Europe)  
 R : Mexico  
 G : Germany  
 H : Korea  
 P : Canada  
 E : Europe  
 Q : Russia  
 C : China  
 V : China(Shanghai)  
 M : Other Areas  
 I : Malaysia  
 Δ indicates safety critical components.

### HOW TO READ THE PARTS LIST

#### ABBREVIATION OF MODEL AND MASS PRODUCTION'S DESTINATIONS

MODEL	ABB.	Australia	Canada	China	England	Europe	Germany	Korea
		X	P	C	T	E	G	H
DV-4070-B	7	-	-	-	-	-	-	-
DVF-R7030-B	7	-	-	-	T2	E2	-	-
DV-4900	9	-	-	-	-	-	-	-
DVF-R9030	9	X1	-	-	T1	E1	-	-
MODEL	ABB.	Mexico	PX/AAFES	Russia	Scandinavia	Shanghai	USA	Other area
		R	Y	Q	L	V	K	M
DV-4070-B	7	-	-	-	-	-	K2	-
DVF-R7030-B	7	-	-	-	-	-	-	-
DV-4900	9	-	-	-	-	-	K1	-
DVF-R9030	9	-	-	-	-	-	-	M1

# DV-4070-B/4900/DVF-R7030-B/R9030

## SPECIFICATIONS

### Format section

Format .....DVD audio ver. 1.2 / DVD video ver.1.1  
Laser .....Semiconductor laser  
Video output format .....NTSC/PAL

### Audio section

Frequency response  
Sampling frequency: 44.1kHz (CD only) .....4 Hz~20 kHz  
Sampling frequency: 48 kHz .....4 Hz~22 kHz  
Sampling frequency: 96 kHz .....4 Hz~44 kHz  
Sampling frequency: 192 kHz (DVD AUDIO only)  
.....4 Hz~88 kHz  
Signal to noise ratio .....More than 120 dB  
Dynamic range .....More than 100 dB  
Total harmonic distortion .....Less than 0.0025 % (1kHz)  
Channel separation .....More than 95 dB (1kHz)  
Analog output level/impedance  
MIX LINE OUTPUT .....2 V / 510 Ω  
6 CH. OUTPUT .....2 V / 510 Ω  
Digital output level/impedance  
COAXIAL .....0.5 Vp-p / 75 Ω  
OPTICAL (Wave length 660 nm) .....-21 dBm ~ -15 dBm  
Headphone output ....30 mW / 32 Ω load (Phones level MAX)

### Video Section

Composite video output level .....1 Vp-p (75 Ω)  
S-video output level  
(Y-signal) .....1 Vp-p (75 Ω)  
(C-signal) .....0.286 Vp-p (75 Ω)  
Component video output level  
[DV-4900, DV-4070]  
(Y-signal) .....1 Vp-p (75 Ω)  
(Cb-signal) .....0.648 Vp-p (75 Ω)  
(Cr-signal) .....0.648 Vp-p (75 Ω)  
[DVF-R9030, DVF-R7030]  
(Y-signal) .....1 Vp-p (75 Ω)  
(Cb-signal) .....0.7 Vp-p (75 Ω)  
(Cr-signal) .....0.7 Vp-p (75 Ω)  
RGB output level (SCART) .....0.7 Vp-p (75 Ω)  
Video signal to noise ratio .....65 dB  
Horizontal resolution ..... 500 lines

### Laser Section

Wavelength .....660~676 nm  
Laser power class .....class 2 (IEC)

### General Section

#### [DV-4900, DVF-R9030]

Power consumption ..... 35 W  
Dimensions .....W : 474 mm (18-11/16")  
H : 127 mm (5")  
D : 410 mm (16-1/8")  
Weight (net) .....7.4 kg (16.3 lb)

#### [DV-4070, DVF-R7030]

Power consumption ..... 35 W  
Dimensions .....W : 440 mm (17-5/16")  
H : 127 mm (5")  
D : 410 mm (16-1/8")  
Weight (net) .....6.3 kg (13.9 lb)



KENWOOD follows a policy of continuous advancements in development. For this reason specifications may be changed without notice.

Sufficient performance may not be exhibited at extremely cold locations (Where water freezes).

# DV-4070-B/4900/DVF-R7030-B/R9030

## **KENWOOD CORPORATION**

14-6, Dogenzaka 1-chome, Shibuya-ku, Tokyo, 150-8501 Japan

### **KENWOOD SERVICE CORPORATION**

P.O BOX 22745, 2201 East Dominguez St., Long Beach, CA 90801-5745, U.S.A.

### **KENWOOD ELECTRONICS CANADA INC.**

6070 Kestrel Road, Mississauga, Ontario, Canada L5T 1S8

### **KENWOOD ELECTRONICS LATIN AMERICA S.A.**

P.O BOX 55-2791, Piso 6 plaza Chase, Cl. 47 y Aquilino de la Guardia Panama, Republic de Panama

### **KENWOOD ELECTRONICS BRASIL LTDA.**

Av. Moema, 170-17, Andar-Cobertura "B", Ed. Maximum Service Center, 04077-020 Moema, São Paulo-SP-Brasil

### **KENWOOD ELECTRONICS U.K. LIMITED**

KENWOOD House, Dwight Road, Watford, Herts., WD1 8EB., United Kingdom

### **KENWOOD ELECTRONICS BELGUM N.V.**

Meachelsesteenweg 418, B-1930 Zaventem, Belgium

### **KENWOOD ELECTRONICS DEUTSCHLAND GMBH**

Rembrücker Str. 15, 63150 Heusenstamm, Germany

### **KENWOOD ELECTRONICS FRANCE S.A.**

13 Boulevard Ney, 75018 Paris, France

### **KENWOOD ELECTRONICS ITALIA S.p.A.**

Via G. Sirtori, 7/9 20129, Milano, Italy

### **KENWOOD IBÉRICA S.A.**

Bolivia, 239-08020 Barcelona, Spain

### **KENWOOD ELECTRONICS AUSTRALIA PTY. LTD.**

(A.C.N. 001 499 074)

16 Giffnock Avenue, North Ryde, N.S.W. 2113, Australia

### **KENWOOD ELECTRONICS (HONG KONG) LTD.**

Unit 3712-3724, Level 37, Tower 1, Metroplaza, 223 Hing Fong Road, Kwai Fong N.T., Hong Kong

### **KENWOOD ELECTRONICS GULF FZE**

P.O.Box 61318, Jebel Ali, Dubai, U.A.E.

### **KENWOOD ELECTRONICS SINGAPORE PTE LTD.**

No. 1 Genting Lane #02-02, KENWOOD Building, Singapore, 349544

### **KENWOOD ELECTRONICS (MALAYSIA) SDN BHD.**

#4.01 Level 4, Wisma Academy Lot 4A, Jalan 19/1 46300 Petaling Jaya Selangor Darul Ehsan Malaysia

### **KENWOOD ELECTRONICS (THAILAND) CO., LTD.**

2019 New Pechburi Road, Bangkapi, Huaykwang, Bangkok, 10320 Thailand