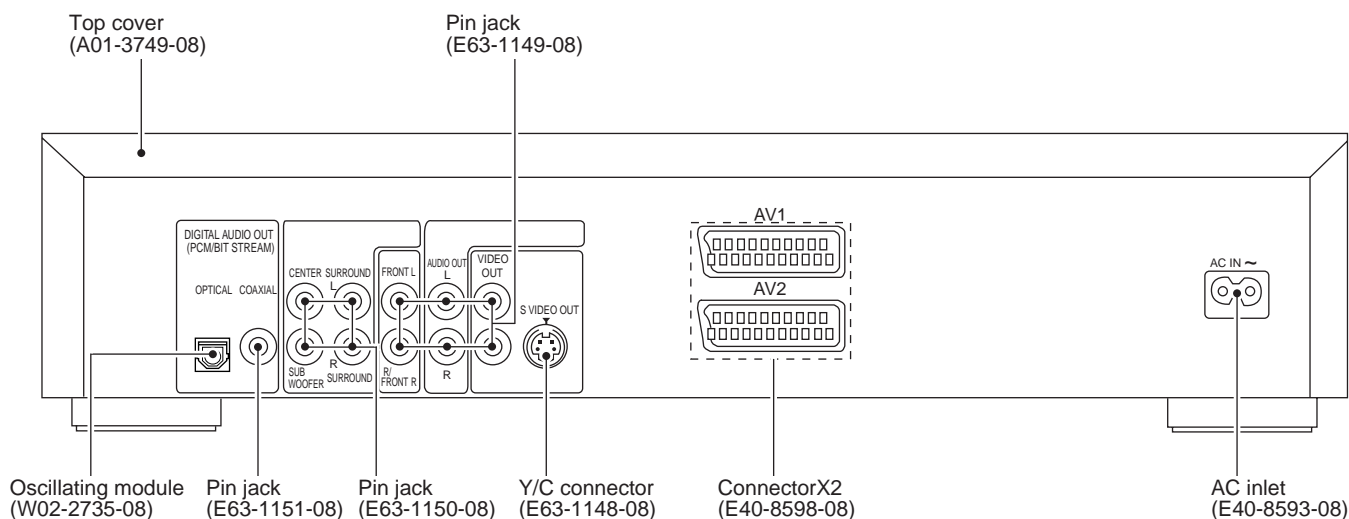
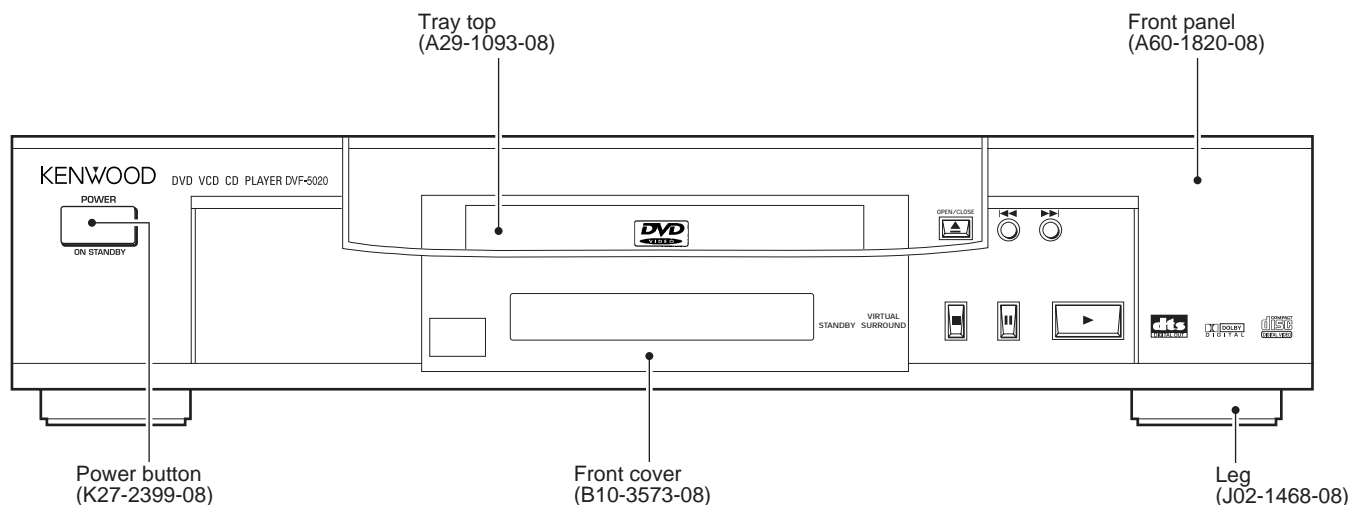


DVF-5020

SERVICE MANUAL

This manual is available for repair in the Europe markets. In other market, please refer to service manual (B51-5583-00).



In compliance with Federal Regulations, following are reproductions of labels on, or inside the product relating to laser product safety.

KENWOOD-Crop. certifies this equipment conforms to DHHS Regulations No. 21 DFR 1040. 10, Chapter 1, Subchapter J.

DANGER : Laser radiation when open and interlock defeated.
AVOID DIRECT EXPOSURE TO BEAM

Caution : No connection of ground line if disassemble the unit. Please connect the ground line on rear panel, PCBs, Chassis and some others.

NOTE : Please use the remote controller for self-diagnosis and tilt adjustment.



DVF-5020

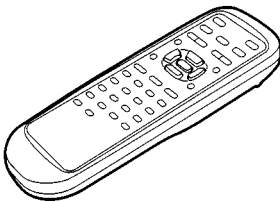
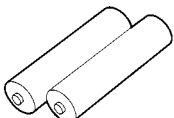
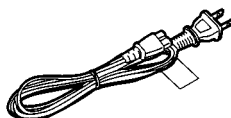
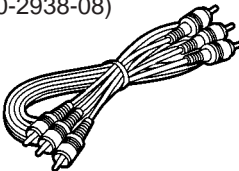
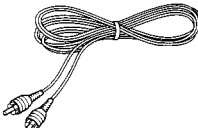
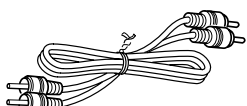
CONTENTS / ACCESSORIES

Contents

CONTENTS / ACCESSORIES	2	WIRING DIAGRAM	33
DISASSEMBLY FOR REPAIR	3	PC BOARD	34
BLOCK DIAGRAM	14	SCHEMATIC DIAGRAM	39
CIRCUIT DESCRIPTION	18	EXPLODED VIEW	64
ADJUSTMENT	21	PARTS LIST	67
ABBREVIATION	22	SPECIFICATIONS	Back cover
VOLTAGE CHART	24		

Note: There is different part in this manual as compared with a usual one because we use OEM factory's data.

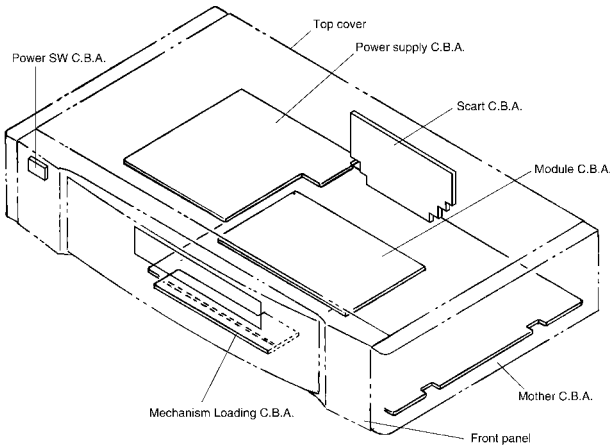
Accessories

Remote control unit 1 (A70-1353-08) 	Batteries 2 for remote control unit [size "AA"] 	AC cord 1 (E30-2937-08) 
Video/audio cable 1 (E30-2938-08) 	Digital cord 1 (E30-2365-05) 	Audio cable 2 (E30-2945-08) 

DISASSEMBLY FOR REPAIR

1. Assembling and Disassembling the Casing and Checking C.B.A.s

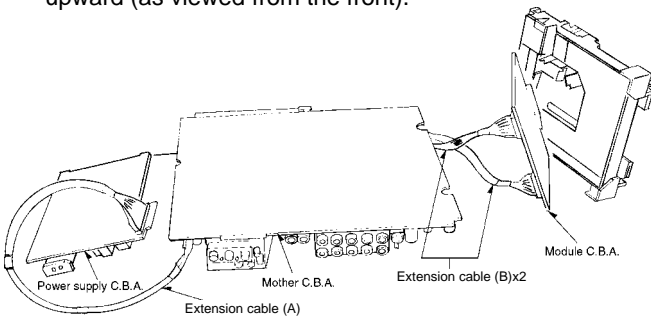
1-1 Casing Parts and C.B.A. Positions



1-2 Service Positions

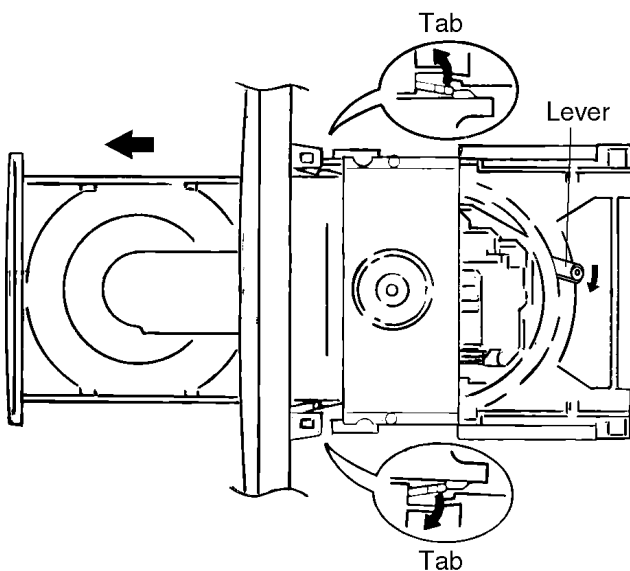
Note

To inspect the loading base unit, position the left side upward (as viewed from the front).



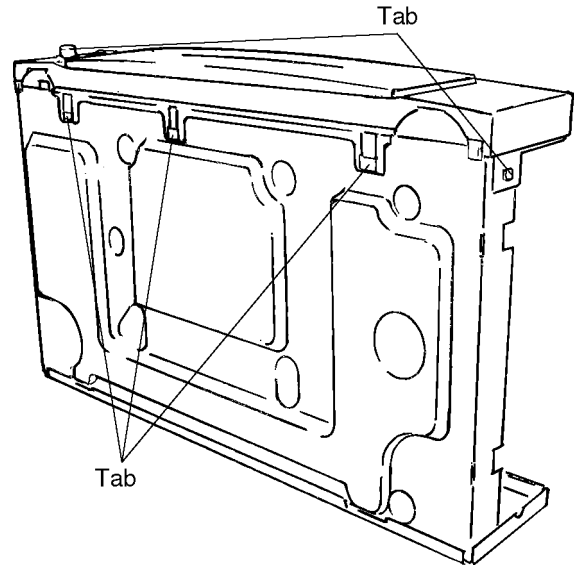
1-3 Disassembling the Tray

1. Turn the lever clockwise.
2. Move the tray in the direction of the arrow until it locks.
3. Release the tab locks on the left and right, then pull out the tray.

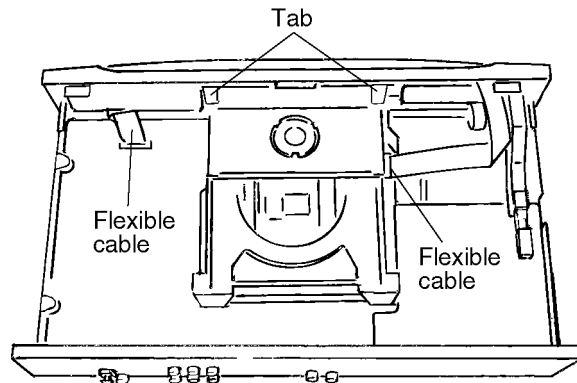


1-4 Disassembling the Front Panel

1. Release the 3 tabs on the bottom.
2. Release the 2 tabs on the left and right.



3. Release the 2 tabs.
4. Disconnect the 2 flexible cables.

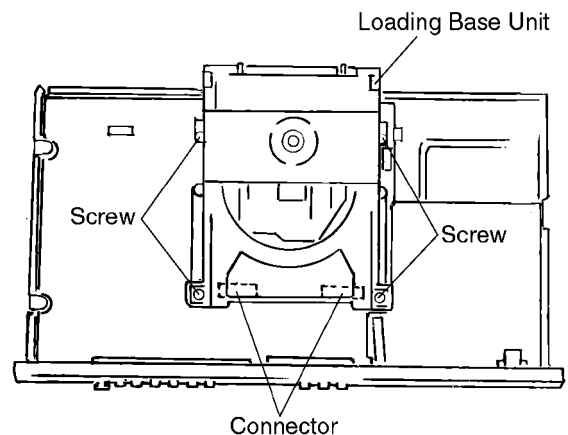


1-5 Disassembling the Loading Base Unit

1. Remove the 4 screws.
2. Pull out the loading base unit vertically.

Note

There is a danger of damaging the connectors.

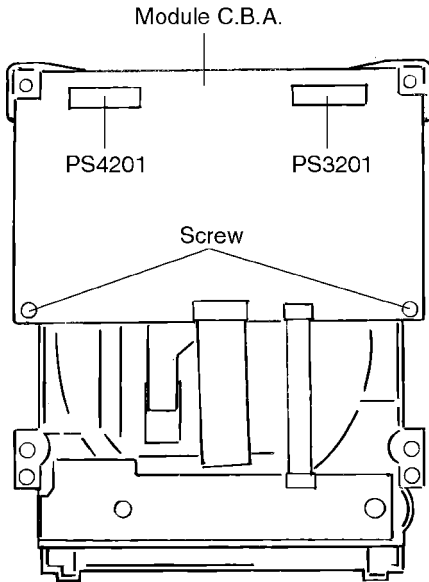


DVF-5020

DISASSEMBLY FOR REPAIR

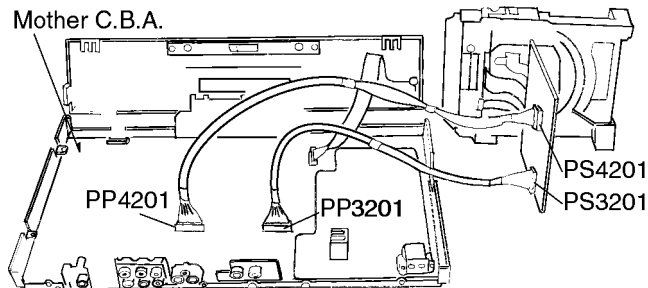
1-6 Checking the Module C.B.A.

1. Remove the 2 screws.



2. Connect the module C.B.A. to the mother C.B.A. with the extension cables for inspection.

- Extension cable (B)x2
Mother C.B.A. Module C.B.A.
PP24201-PS4201
PP23201-PS3201

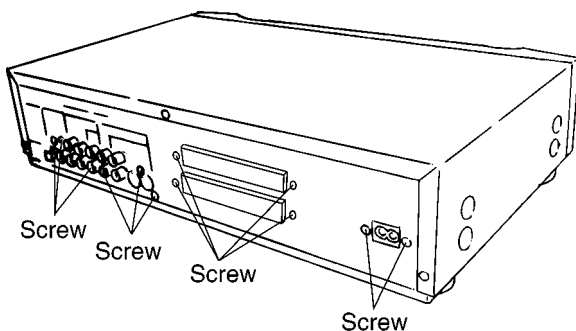


Note

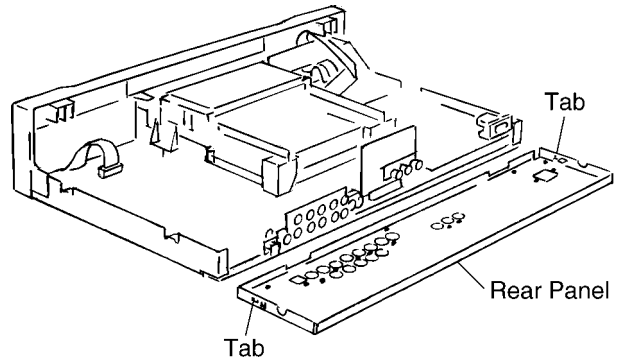
Be sure to initialize the player whenever you replace a C.B.A. (Refer to page21/4-1 Initializing the DVD Player.)

1-7 Disassembling the Rear Panel,

1. Remove all of the screws connected to the rear panel.
(The number of screws varies according to the model).

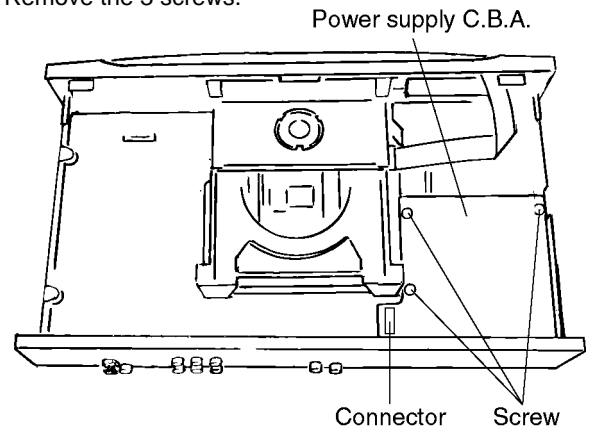


2. Release the two tabs on the left and right.



1-8 Checking the Power Supply C.B.A.

1. Remove the 3 screws.



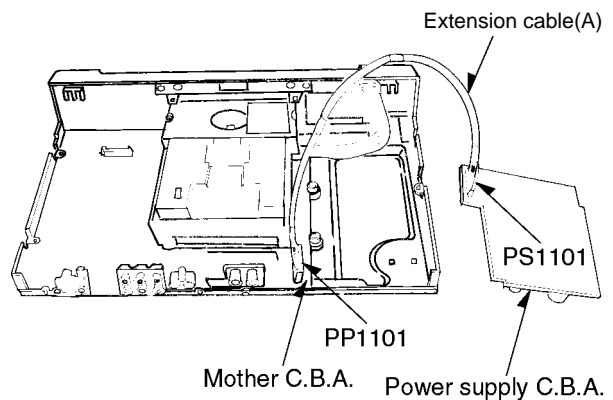
2. Carefully pull out the power supply C.B.A.

Note

There is a danger of damaging the connectors.

3. Connect the power supply C.B.A. and the mother C.B.A. with the extension cable for inspection.

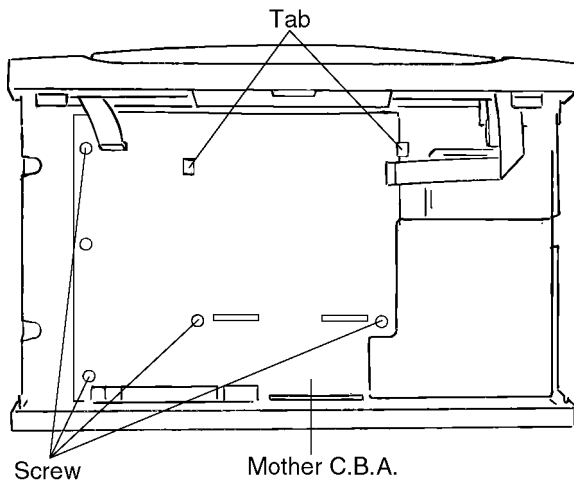
- Extension cable(A) (connects the power supply C.B.A. PS1101 and the mother C.B.A. PP1101)



DISASSEMBLY FOR REPAIR

1-9 Checking the Mother C.B.A.

1. Remove the 5 screws.
2. Release the 2 tabs.



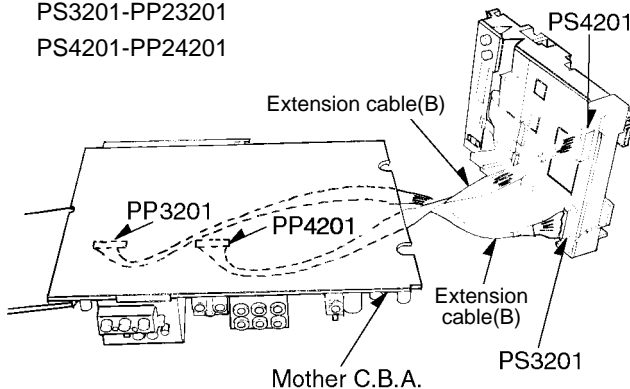
3. Checked by connecting the module C.B.A. and the mother C.B.A. with the extension cables.

Extension cable (B)x2

Module C.B.A. Mother C.B.A.

PS3201-PP23201

PS4201-PP24201



Note

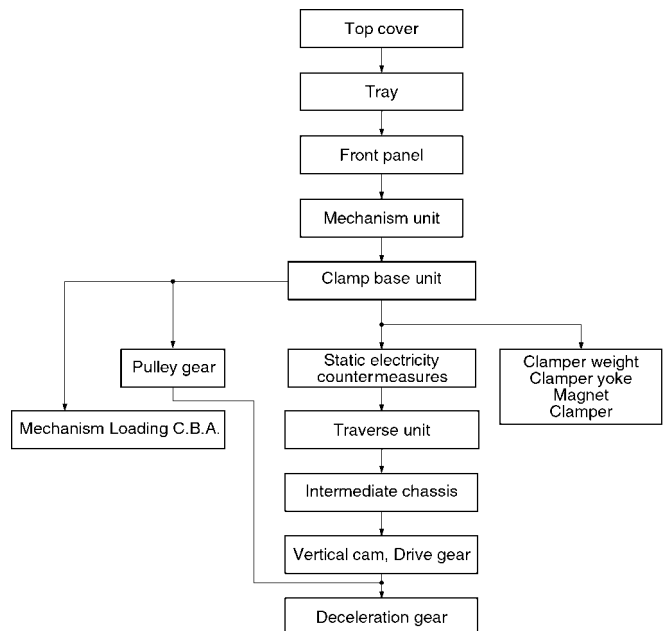
Be sure to initialize the player whenever you replace a C.B.A. (Refer to page21/4-1, Initializing the DVD player.)

2. To preserve the quality of the optical pickup replacement parts during transport and installation, the terminals of the laser diode are short-circuited. After replacing the parts, use the proper procedure to return the laser diode to its original condition. (Refer to page9/2-12 Assembling the Optical Pickup.)
3. Testers cannot be used to check the laser diode of the optical pickup. The power supply inside the tester can easily damage the laser diode.
4. Take care when handling the flexible cable because excessive force can cause it to break.
5. You cannot adjust the semifixed resistor for laser power adjustment. Do not turn it.

2-2 Disassembly Procedure

Use the following procedure to replace major parts.

For the assembly procedure, follow the flow chart in reverse.



2. Assembling and Disassembling the Optical Pickup (Mechanical Parts)

The optical pickup can be damaged by static electricity from your body. Be sure to take static electricity countermeasures when working around the optical pickup.

2-1 Handling the Optical Pickup

The optical pickup can be damaged by static electricity from your body. Be sure to take static electricity countermeasures when working around the optical pickup.

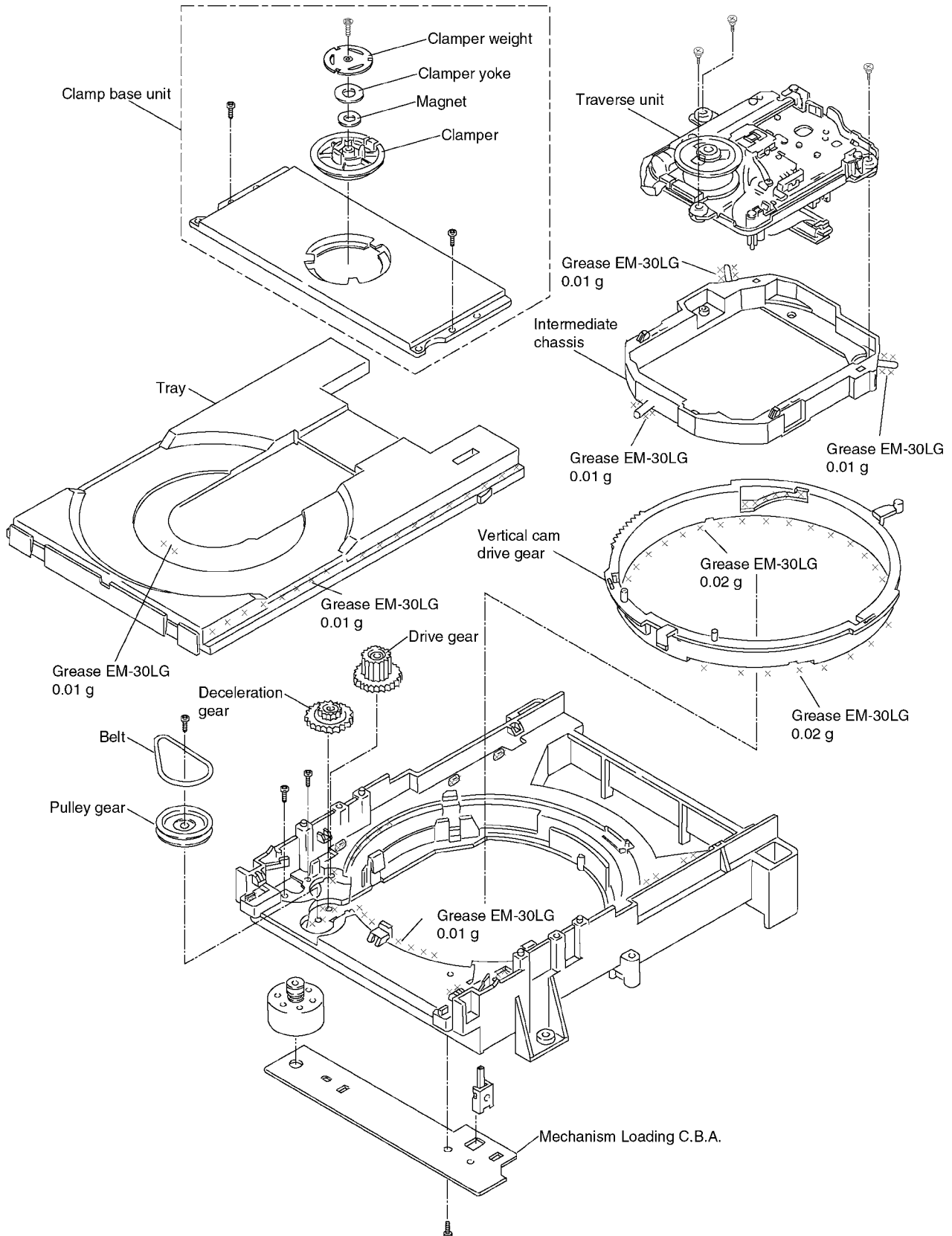
1. The optical pickup is an extremely high-precision mechanism. Do not subject it to strong impact.

DVF-5020

DISASSEMBLY FOR REPAIR

2-3 Lubricating the Loading Base Unit

When replacing parts, lubricate the parts made "xxx" in the diagram



	Part number	Service Tool
Grease	410-0013-05	Grease EM-30LG

DISASSEMBLY FOR REPAIR

2-4 Static Electricity Countermeasures

The laser diode inside the traverse unit (optical pickup) can be damaged by static electricity from your body. Be sure to take static electricity countermeasures when working around the optical pickup.

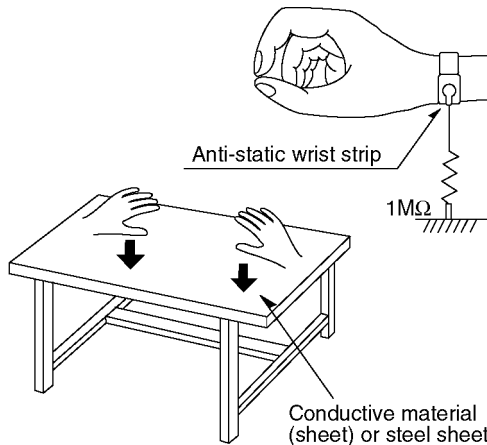
2-4-1 Static Electricity Countermeasure Methods

1. Ground yourself

Use an anti-static wrist strap to discharge static electricity from your body.

2. Ground the workbench

Lay a conductive material (sheet) or steel sheet on the surface where the traverse unit (optical pickup) is to be placed, then ground the sheet.

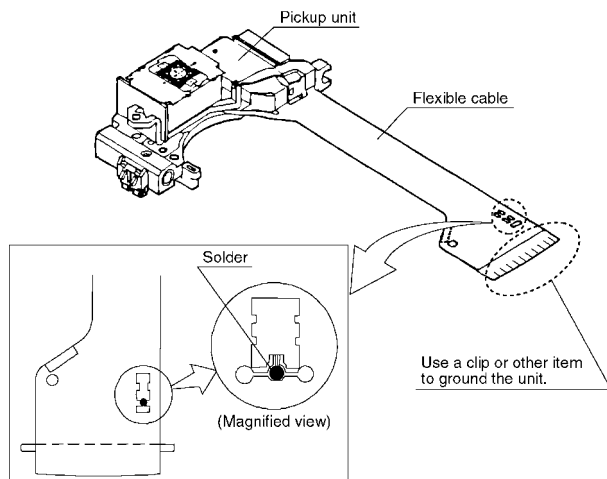


2-4-2 Short-circuit the laser diode

Solder the land in the flexible cable of the optical pickup.

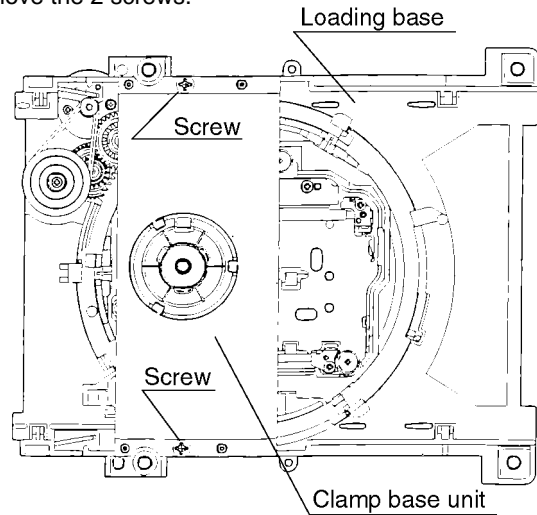
Notes

- Be sure to do this before disconnecting the flexible cable of the optical pickup from the module C.B.A.
- Use an anti-static soldering iron to short-circuit and unshort-circuit laser diode.
(Recommended soldering iron: Hakko with ESD countermeasure)
- After you have finished repairing the laser diode, follow the correct procedure to remove the solder from the short-circuit location. (Refer to page 5/2. Assembling and Disassembling the Optical Pickup (Mechanical Parts).)



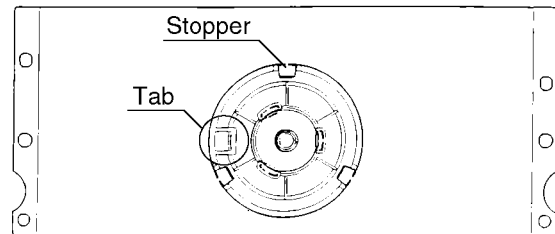
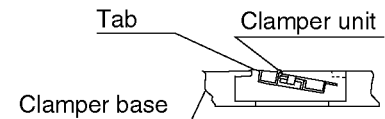
2-5 Disassembling the Clamp Base Unit

Remove the 2 screws.

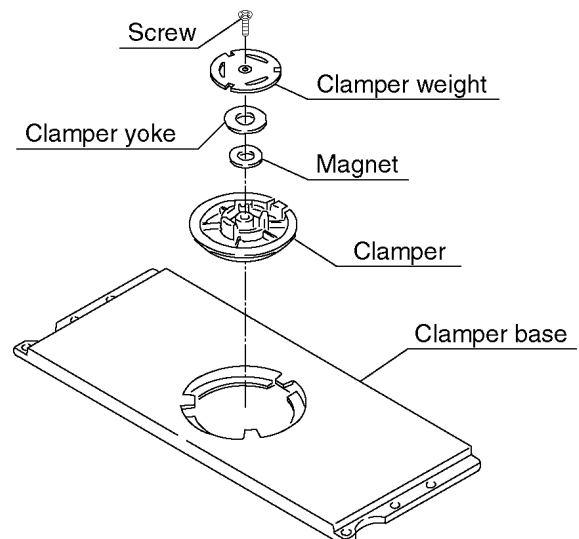
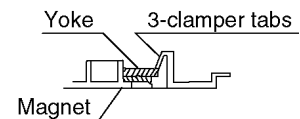


2-6 Disassembling the Clamper Weight, Clamper Yoke, Magnet and Clamper

1. Release the tab, and pull out the clamper.



2. Release the 3 tabs on the clamper.

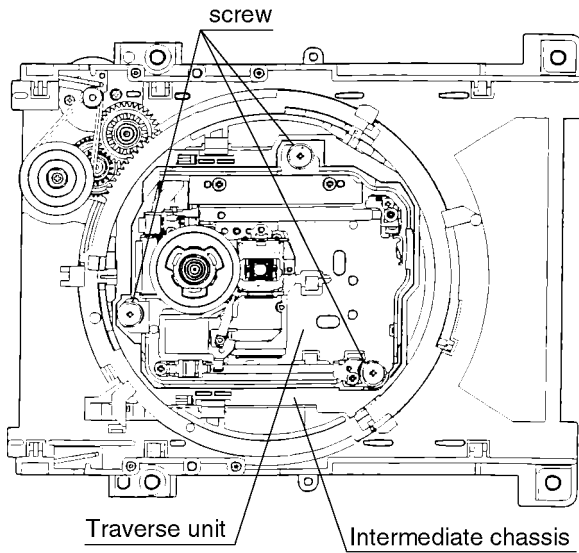


DVF-5020

DISASSEMBLY FOR REPAIR

2-7 Disassembling the Traverse Unit

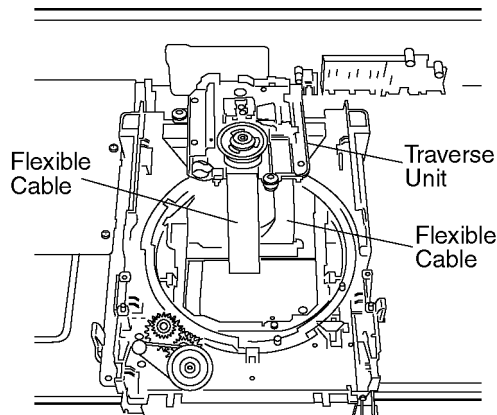
1. Remove the 3 screws.



Note

Be sure to take static electricity countermeasures before disconnecting the flexible cable. (Refer to page 7/2-4 Static Electricity Countermeasures.)

2. Disconnect the 2 flexible cables.

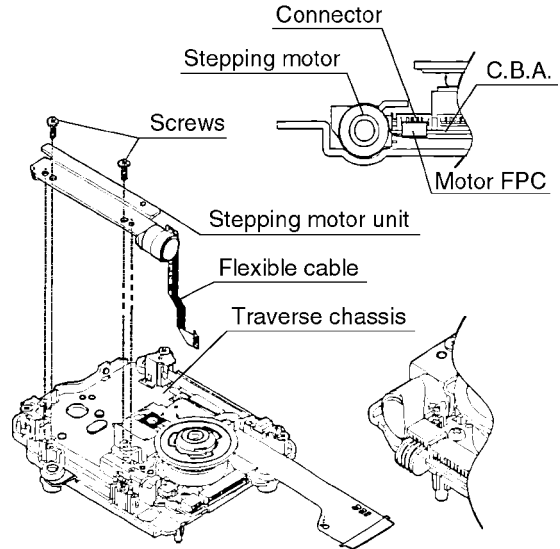


2-8 Disassembling the Stepping Motor Unit

1. Disconnect the flexible cable.
2. Remove the 2 screws.

Note

Take care when handling the flexible cable because it can be broken by excessive force.



2-9 Disassembling the Optical Pickup Unit

1. Remove the hook of the FPC holder, then remove the FPC holder itself.
2. Remove the screw.
3. Release the tab, then remove spring holder 1.

Note

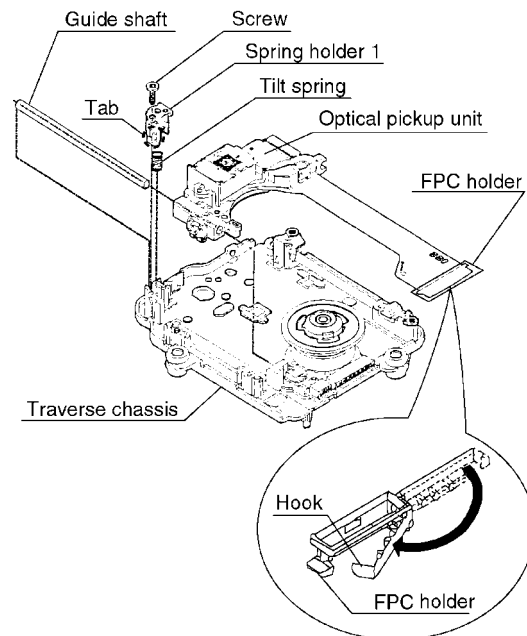
Be sure not to lose the spring.

4. Remove the guide shaft.

Note

Be sure to adjust the optical pickup tilt after replacing the optical pickup.

(Refer to page 10/2-14 Optical Pickup Tilt Adjustment.)



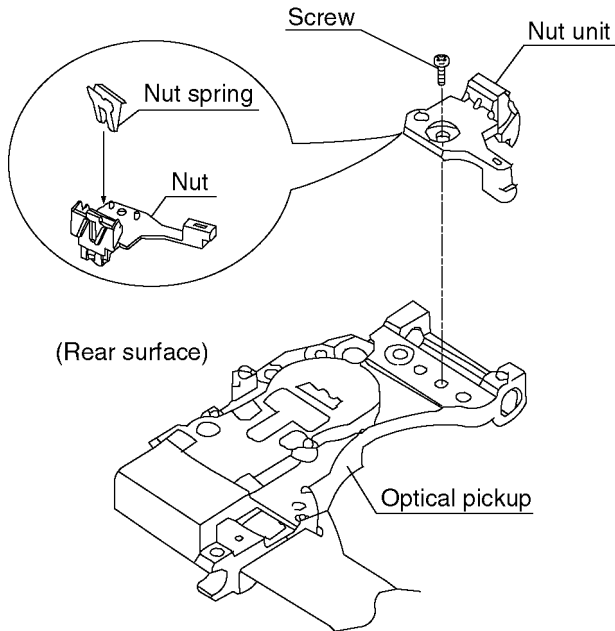
DISASSEMBLY FOR REPAIR

2-10 Disassembling the Nut Unit

1. Remove the screw.

Notes

- The nut unit is not part of the optical pickup.
- Before replacing the optical pickup, remove the nut unit for use with the new optical pickup.
- After installation, use screw lock to lock the screw in position.
- When reassembling, use screw lock to lock the screw in position after attaching it.

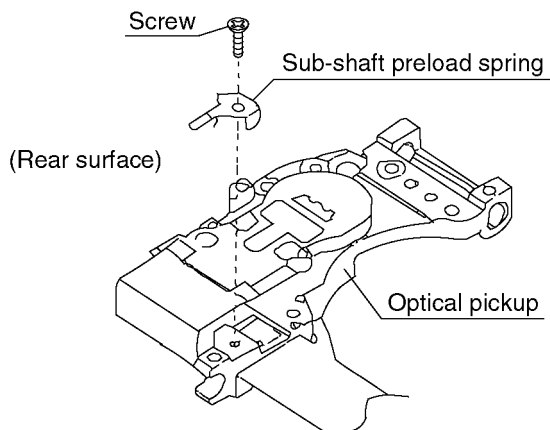


2-11 Disassembling the Sub-Shaft Preload Spring

1. Remove the screw.

Notes

- Handle the sub-shaft preload spring carefully because the shape of the tip is easily deformed.
- The sub-shaft preload spring is not part of the optical pickup. Before replacing the optical pickup, remove the sub-shaft preload spring for use with the new optical pickup.
- After installation, use screw lock to lock the screw in position.

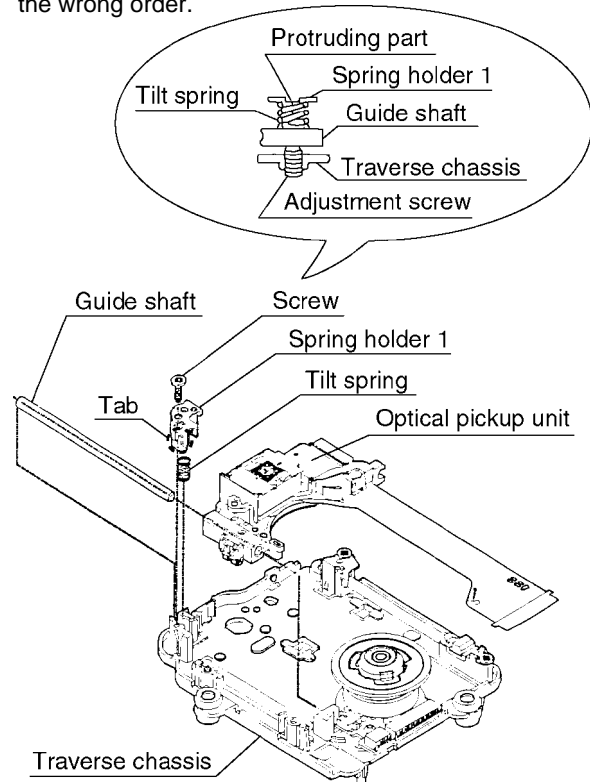


2-12 Assembling the Optical Pickup

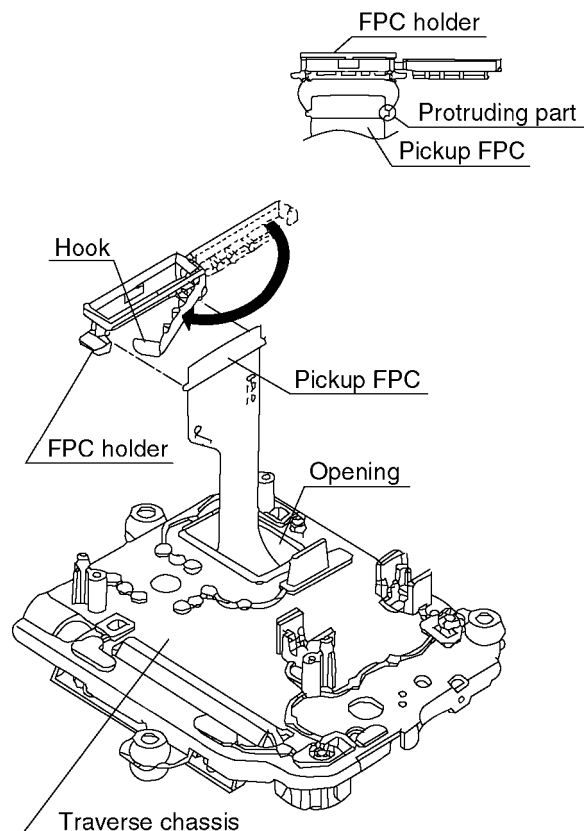
1. Install the optical pickup.

Note

Take care not to attach the tilt spring and guide shaft in the wrong order.



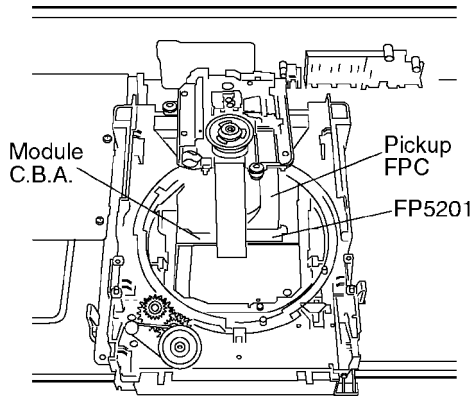
2. Fit the protruding part of the pickup FPC into the convex-part of the FPC holder to install it.



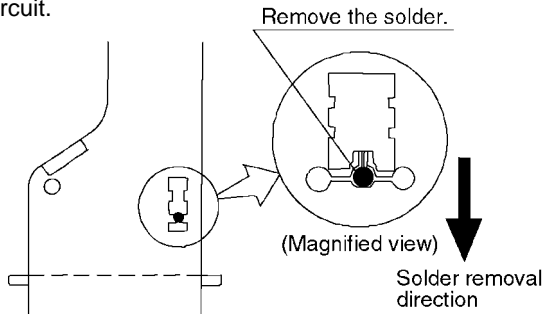
DVF-5020

DISASSEMBLY FOR REPAIR

3. Insert the pickup FPC into connector FP5201 on the module C.B.A.



4. Remove the solder from the pickup FPC's soldered short-circuit.



Open the circuit after short-circuiting it.

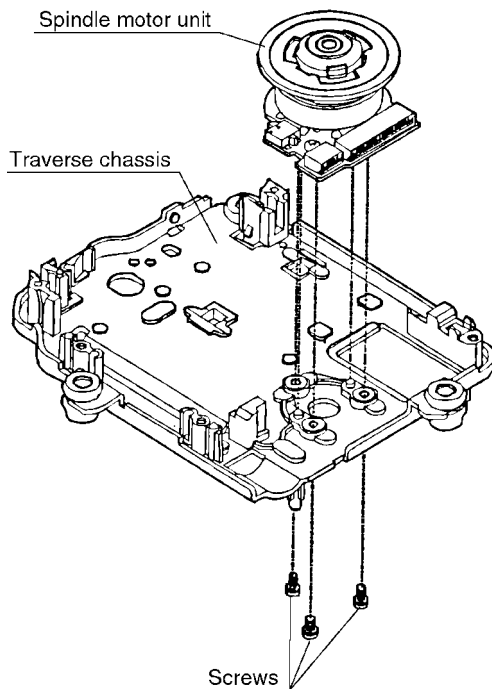
5. Adjust the optical pickup tilt after removing the solder. (Refer to page10/2-14 Optical Pickup Tilt Adjustment.)

2-13 Disassembling the Spindle Motor Unit

1. Remove the three screws.

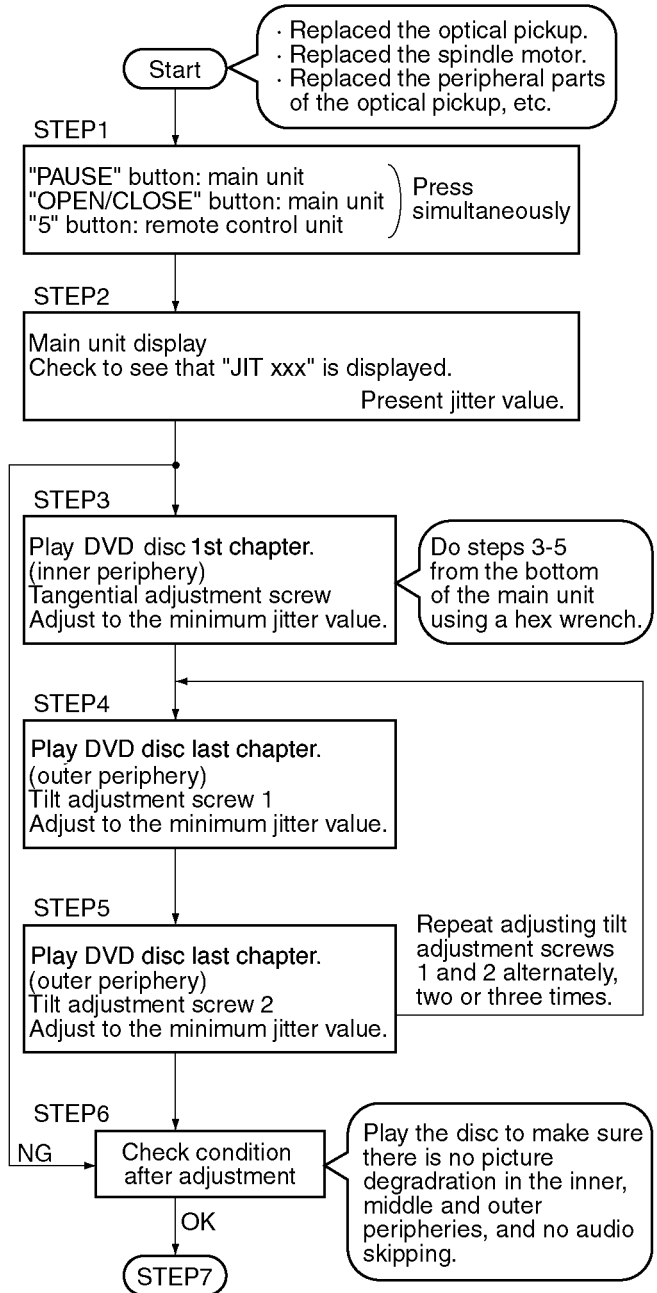
Note

Be sure to adjust the optical pickup tilt after replacing the spindle motor unit.

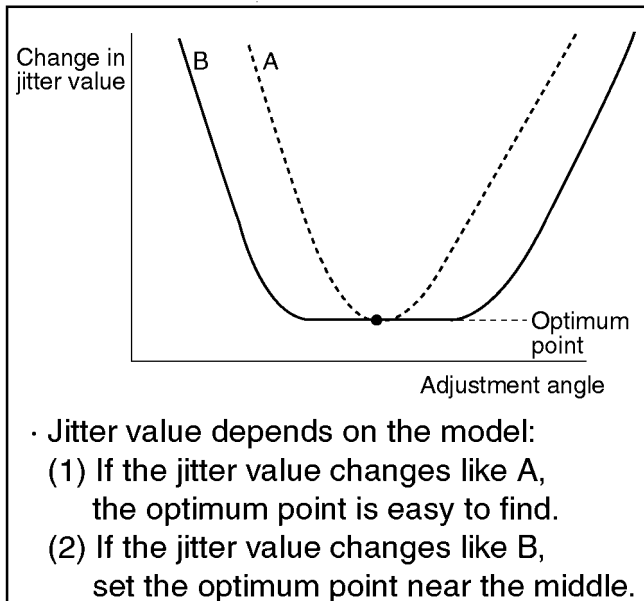
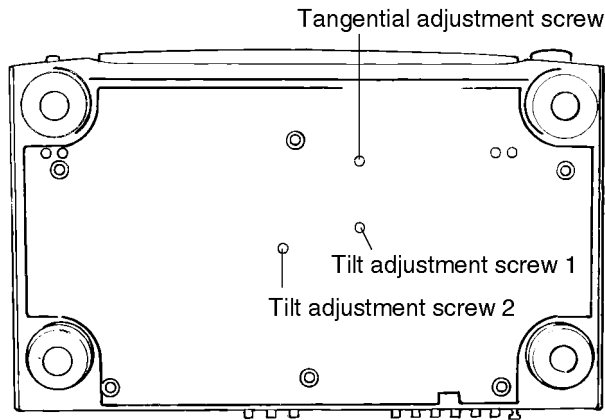
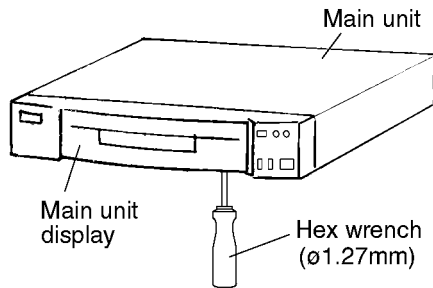


2-14 Optical Pickup Tilt Adjustment

Measurement point	Adjustment point	Mode	Disc
Main unit service display	Tangential adjustment screw Tilt adjustment screw	(inner periphery) play (outer periphery) play	DVD-disc
Measuring equipment, tools		Adjustment value	
Hex wrench Screw lock		Adjust to the minimum jitter value.	



DISASSEMBLY FOR REPAIR



STEP6

STEP7

Pull out the traverse unit.
(Refer to disassembly procedure in this manual.)

Remove in the order of top cover, tray and clamper base.

STEP8

Lock the adjustment screw in position using screw lock

STEP9

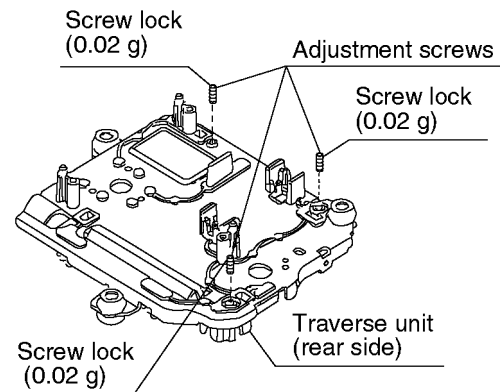
Assemble the main unit.

STEP10

Follow procedure for handling after repairs are completed.

With the power supply turned on:
 1. Use the OPEN/CLOSE button to close the tray.
 2. Use the POWER button to turn off the power.
 3. Disconnect the power plug from the outlet.

End



Notes

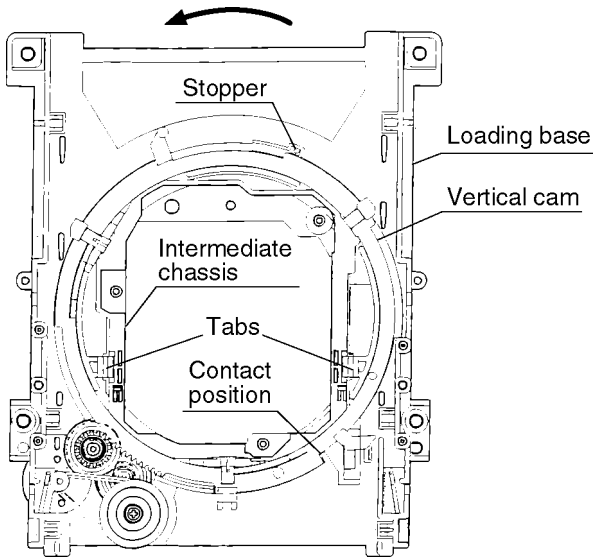
- Adjustment is generally unnecessary after replacing other parts of the traverse unit. However, adjust if there is a noticeable degradation in picture quality.
- Optical adjustments cannot be made inside the optical pickup.
- Adjustment is generally unnecessary after replacing the traverse unit.
- Adjustment is generally unnecessary after replacing the traverse unit.

DVF-5020

DISASSEMBLY FOR REPAIR

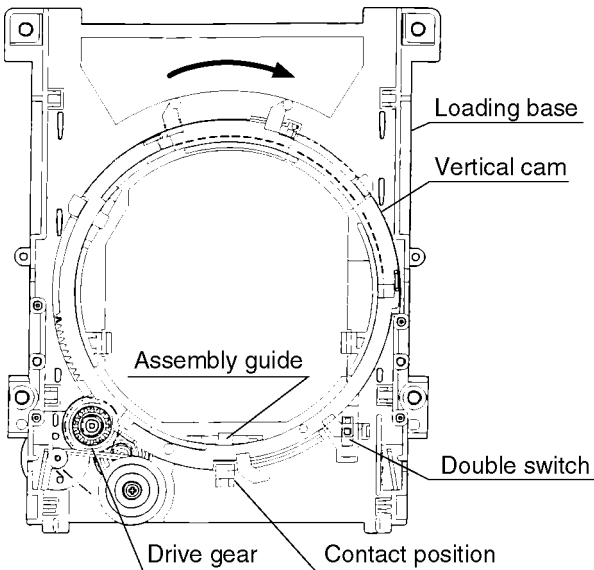
2-15 Disassembling the Intermediate Chassis

1. Push the stopper downward, then rotate it until it contacts the Vertical cam.
2. Release the 2 tabs.



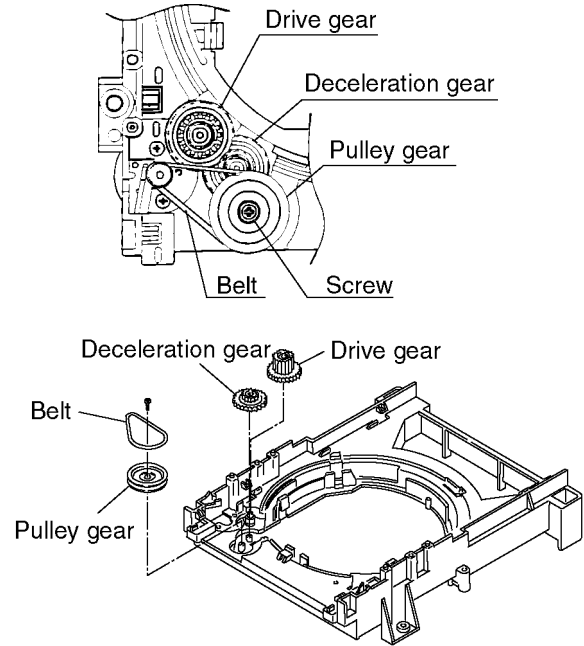
2-16 Disassembling the Vertical cam and Drive gear

1. Rotate the Vertical cam until it reaches the contact position.
2. Lift the Vertical cam straight upward to pull it out.
3. Remove the Drive gear.



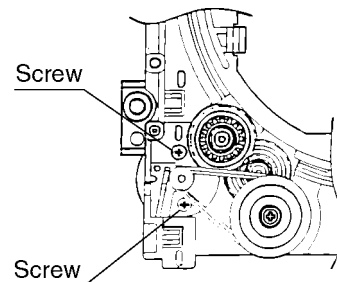
2-17 Disassembling the Pulley Gear and Deceleration Gear

1. Remove the screw.
2. Remove the pulley gear.
3. Remove the belt.
4. Remove the deceleration gear.

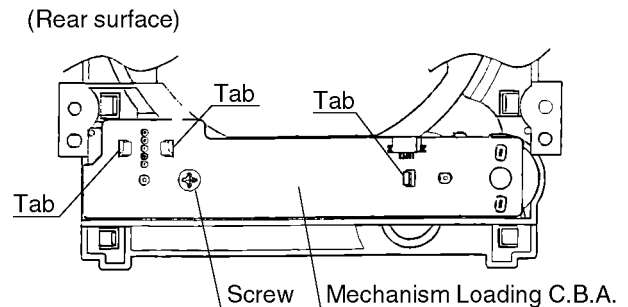


2-18 Disassembling the Mechanism Loading C.B.A.

1. Remove the 2 screws.



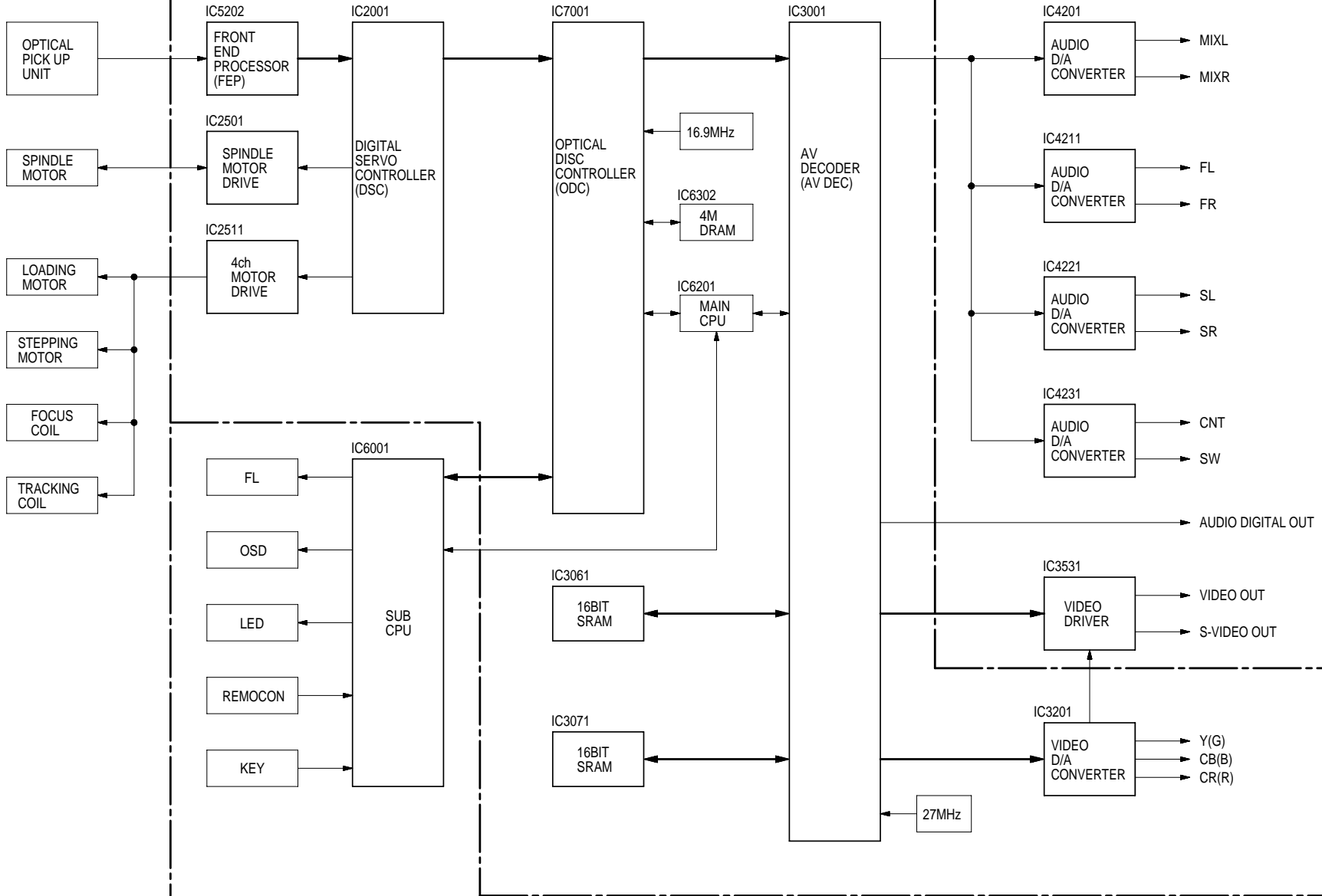
2. Remove the 2 screws.
3. Release the three tabs.



MECHANISM UNIT

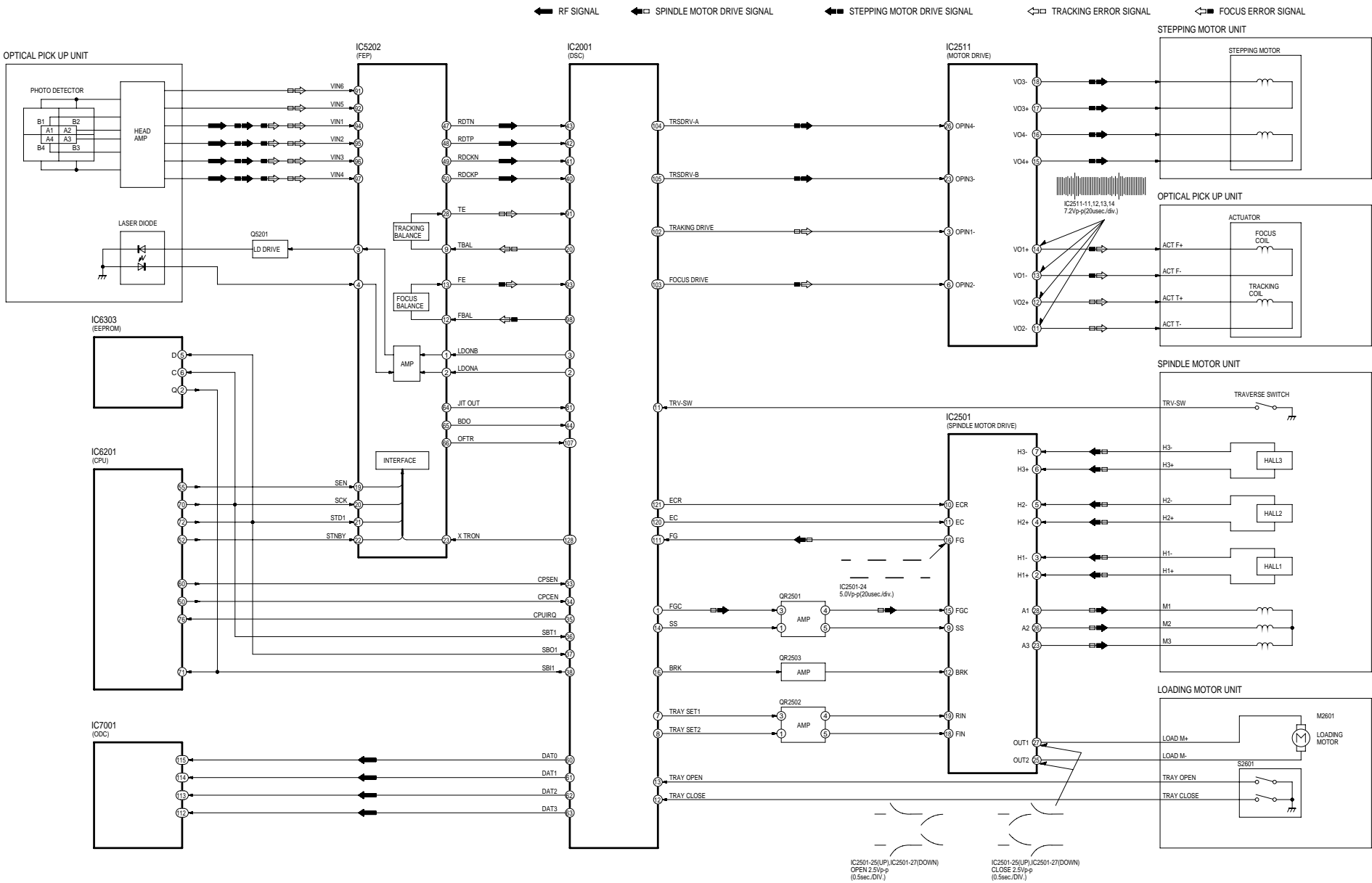
MODULE C.B.A.

MOTHER C.B.A.

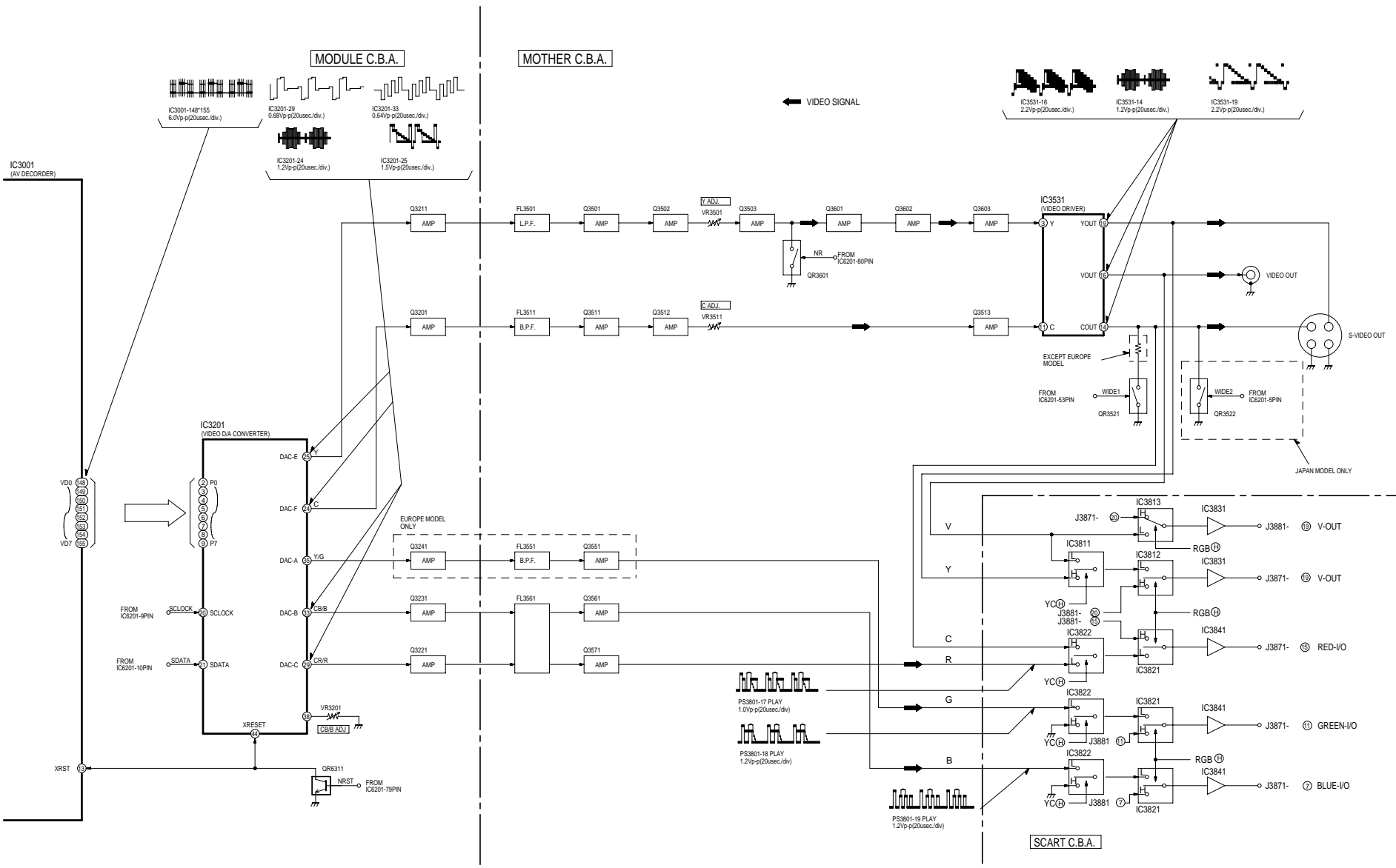


OVERALL BLOCK DIAGRAM

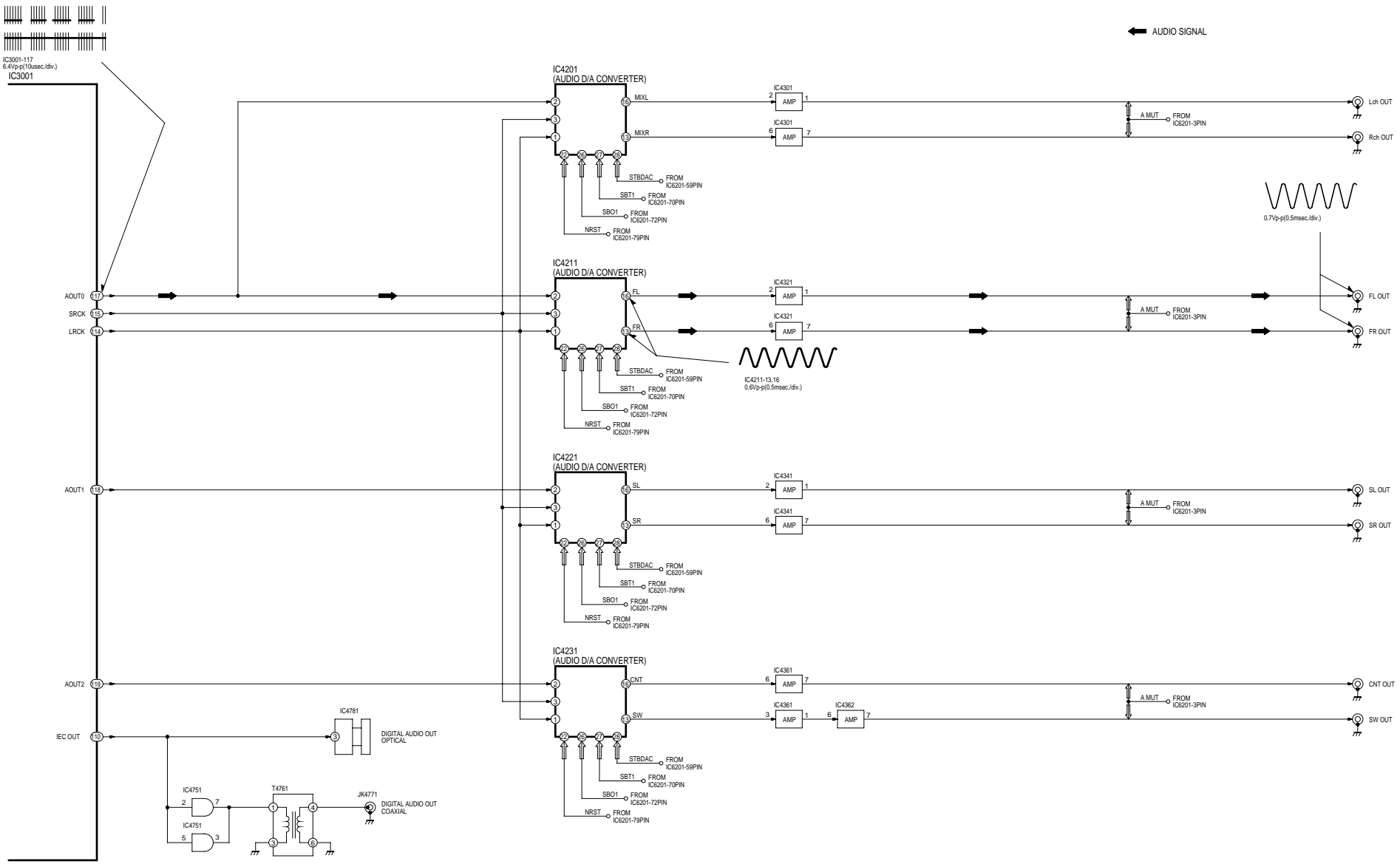
DV-F-5020



VIDEO BLOCK DIAGRAM



AUDIO BLOCK DIAGRAM



CIRCUIT DESCRIPTION

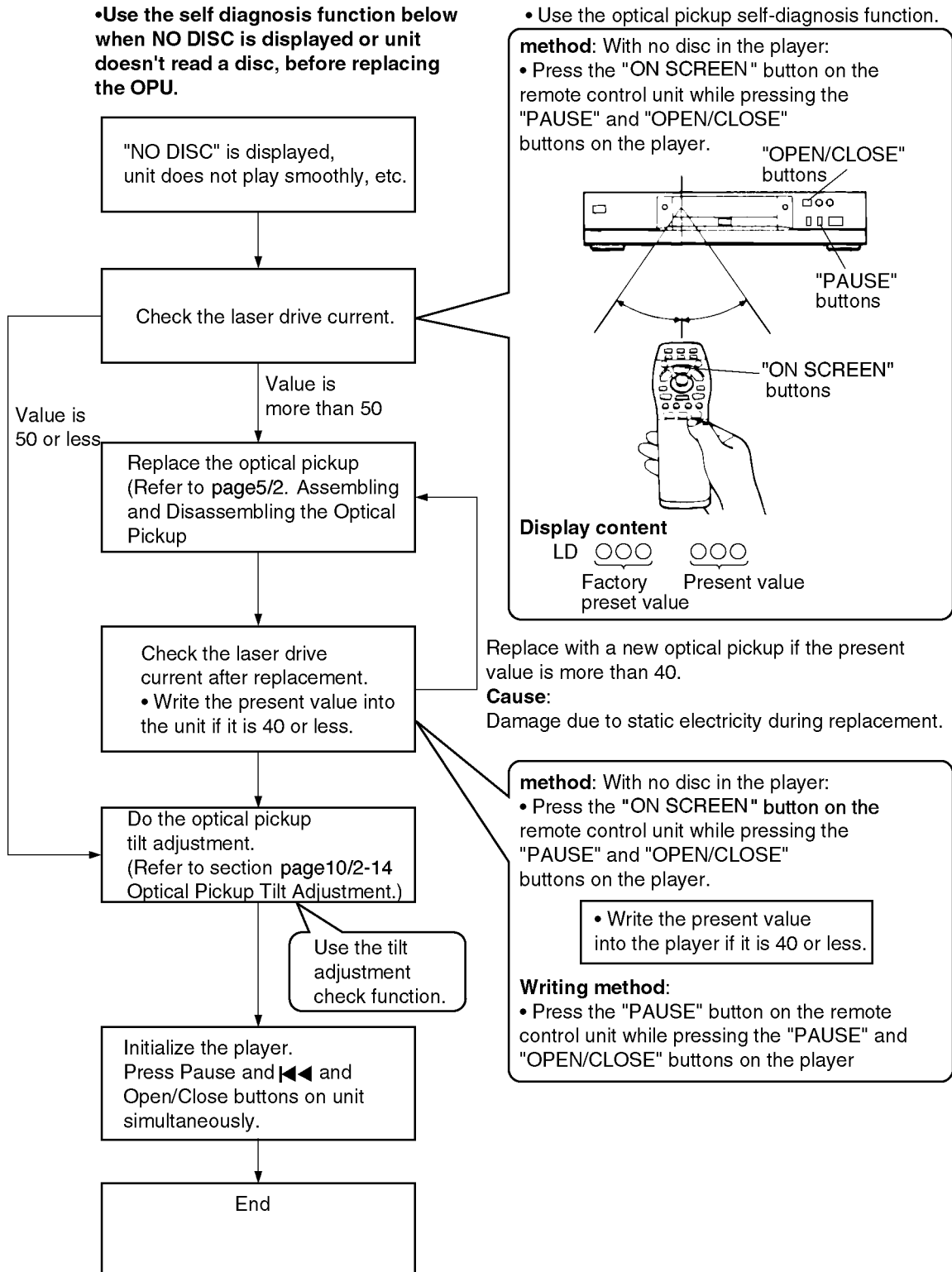
1. Optical Pickup Self-Diagnosis and Replacement Procedure

The optical pickup self-diagnosis function and tilt adjustment check function have been newly added to this player. When repairing, use the following procedure for effective Self-diagnosis and tilt adjustment.

Be sure to use the self-diagnosis function before replacing the optical pickup when "NO DISC" is displayed. As a guideline, you should replace the optical pickup when the value of the laser drive current is more than 50.

Note

Press the power button to turn on the power, and check the value before the unit warms up (within three minutes).



DVF-5020

CIRCUIT DESCRIPTION

2. Self-Diagnosis Function and Service Modes

2-1 Service Mode Table

The service modes can be activated by pressing various button combinations on the player and remote control unit.

Player buttons	Remote control unit buttons	Application	Note
PAUSE + OPEN/CLOSE	0	Displaying the UHF display F_ _ _	Refer to page19/2-2 Self-Diagnosis Function (UHF Display).
	5	Jitter check, Tilt adjustment	Refer to page10/2-14 Optical Pickup Tilt Adjustment.
	6	Checking the region numbers and broadcast system	
	7	Checking the program version	Check the IC6302 FLASH ROM program.
	9	Lighting Confirmation Function of Display Tube	
	ON SCREEN	Checking the laser drive current	Refer to page18/1. Optical Pickup Self-Diagnosis and Replacement Procedure.
PAUSE ⏪ OPEN/CLOSE	PAUSE	Writing the laser drive current value after replacing the optical pickup (do not use for anything other than optical pickup replacement)	
		Initializing the DVD player (restoring factory preset settings) *Use when replacing a microprocessor, microprocessor peripheral parts, or C.B.A.	Refer to page21/4-1 Initializing the DVD Player

2-2 Self-Diagnosis Function (UHF Display)

This unit incorporates a convenient self-diagnosis function for use in troubleshooting.

Display method	Display	Diagnosis	Checkpoints
Service numbers displayed during use	U11	Focus error	IC2001, IC2511, IC5201, pickup
	H01	Tray loading error	IC2001, IC2511, loading motor
	H02	Spindle servo error	Spindle motor, IC2501, IC2001
	H03	Traverse error	Stepping motor, IC2511, IC2001
	H04	Tracking servo error	IC2001, IC2501, IC5201, pickup, disc
	H05	Seek error	Stepping motor, IC2511, IC2001
	H06	Power supply error	IC1021, IC1121, IC1151, IC6001
Press the "0" button on the remote control unit while pressing the "PAUSE" and "OPEN/CLOSE" button on the player.	F0**	Disc format error	If this type of error occurs, refer to page20/2-4 Examples of Repairs Using Error Codes.
	F1**	Disc code error	
	F2**	Decoder LSI error	
	F3**	SDRAM error	
	F4**	IIC BUS error	
	F5**	DSC	
	F6**	ECC error	
	F7**	Microprocessor error	
F8**	Microprocessor error		

2-3 Self-Diagnosis Display Function

When an error or trouble is detected during operation, a service number appears in the FL display.

When a service number appears, check out the details given below.

Service number	Player status	Remedy
U11	Disc is dirty.	Wipe the disc clean.
H□□ □□ stands for a number.	Trouble is likely to have occurred. The number following "H" differs depending on the status of the player.	Press POWER to set the player to the standby mode and then back to ON. Alternatively, press POWER to set the player to the standby mode, disconnect the AC plug, and then re-connect it.

CIRCUIT DESCRIPTION

2-4 Examples of Repairs Using Error Codes

Refer to this section when carrying out repairs.

Error display	Malfunction example
F0**	Disc, IC7001
F103	Disc, IC7001
F4FF	IC6001
F500	Optical pickup, IC2001, IC5201, IC2511, IC2501
F501	IC2001, IC6201
F502	IC2501, IC2511, IC2001, IC5202
F504	IC5202, IC2001
F505	Disc, IC2501, IC2511, IC5202, IC2001
F506	Disc, Optical pickup, IC2001
F600	Disc, IC7001, IC5202, IC2001
F601	Disc, IC7001
F602	Disc, IC5202, IC2001
F603	Disc, IC5202, IC2001
F610	IC7001
F611	IC7001, IC5202, IC2001
F612	IC7001, IC15202, IC2001
F620	Laser drive circuit
F621	Laser drive circuit
F700	IC6201
F701	IC6201
F702	IC6201
F880	IC6201
F890	IC6201
F891	IC6201
F8A0	IC6201
F893	IC6302
F894	IC6303

2-5 Sales Demonstration Lock Function

This function prevents discs from being lost when the unit is used for sales demonstrations, by disabling the disc eject function. "LOCKED" is displayed on the unit, and ordinary operation is disabled.

2-5-1 Setting Method

The sales demonstration lock function is set by simultaneously pressing the "POWER" button of DVD Player on the remote control unit and the "STOP" button on the main unit. ("LOCKED" is displayed when the lock function is engaged.)

2-5-2 Release Method

The function can be released using the same procedure as for setting. If the remote control unit is not at hand, the function can be released by using the same method as for player initialization (pressing the "PAUSE," "◀◀" and "OPEN/CLOSE" buttons simultaneously).

DVF-5020

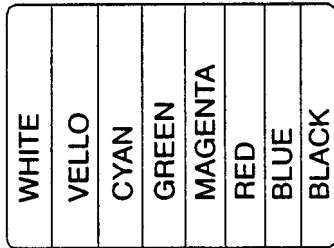
CIRCUIT DESCRIPTION

3. Service Tools and Equipment

3-1 Service Tools and Equipment Table

Application	Name	Number
General	DVD disc (Include the color bar 75%)	
Tilt adjustment	Hex wrench (ø1.27mm)	
Inspection	Extension cables (power supply C.B.A. to mother C.B.A.)	Extension cable(A)
	Extension cable (module C.B.A. to mother C.B.A.)	Extension cable(B)
Others	Screw lock	
	Grease	410-0013-05
Confirmation	CD disc	
	VCD disc	
Electrical adjustment	Oscilloscope	
	Probe	
	AV cable	
	TV monitor	
General	General tools (Screw driver. etc)	
Static electricity countermeasures	Soldering iron (with ESD countermeasure)	
	Anti-static wrist strap	
	Conductive material (conductive sheet)	

DVD disc (Include 75% color bar)



COLOR BAR (TV)

3-2 Storing and Handling DVD Discs

Surface precision is vital for DVD discs. Be sure to store and handle them carefully.

1. Do not place discs directly onto the workbench, etc., after use.
2. Handle discs carefully in order to maintain their flatness.
Place them into their case after use and store them vertically. Store discs in a cool place where they are not exposed to direct sunlight or air from air conditioners.
3. Accurate adjustment will not be possible if the disc is warped from being placed on a surface made of glass, etc. If this happens, use a new test disc to make optical adjustments.
4. If adjustment is done using a warped disc, the adjustment will be incorrect and some discs will not be playable.

4. Service Precautions

4-1 Initializing the DVD Player

Initialize the DVD player whenever you replace a microprocessor, microprocessor peripheral parts, module C.B.A or mother C.B.A.

4-1-1 Precautions

The customer settings will return to factory preset settings when the player is initialized. Make a note of the settings and reset them after initializing.

When resetting, see the Initial Settings in the Operating Instructions.

4-1-2 Initialization Method

The player will be initialized (return to the factory preset condition) when you press the "PAUSE", "◀◀" and "OPEN/CLOSE" buttons simultaneously. When the DVD player is initialized, "All Clear" appears on screen, it also displays "INITIALIZE".

ADJUSTMENT

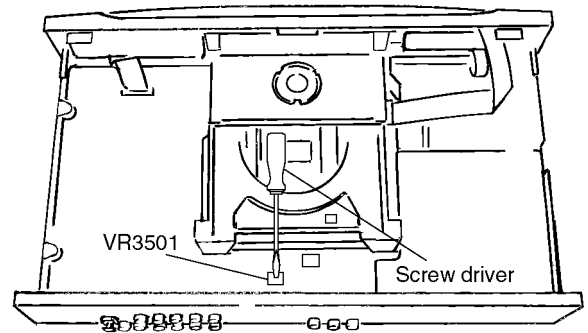
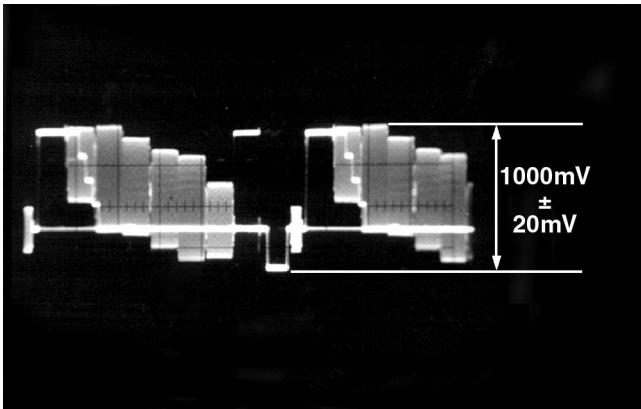
1. Video Output (Luminance Signal) Adjustment

Do this adjustment after replacing a C.B.A.

Measurement point	Adjustment point	Mode	Disc
Video output terminal	VR3501 (mother C.B.A.)	Color bar 75%	DVD disc (Color bar 75%)
Measuring equipment, tools		Adjustment value	
Screwdriver, Oscilloscope 200mV/div, 10msec/div		1000mVp-p±20mV	

Purpose: To maintain video signal output compatibility.

1. Connect the oscilloscope to the video output terminal and terminate at 75 ohms.
2. Adjust VR3501 so that the luminance signal (Y+S) level becomes 1000 mVp-p±20 mV.



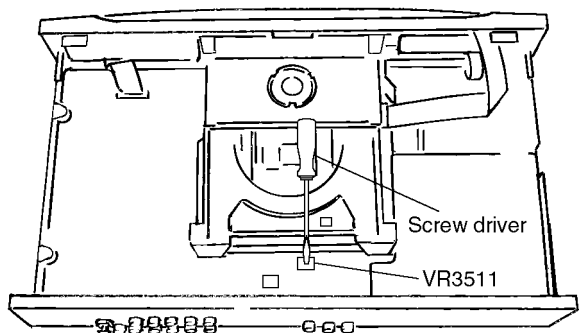
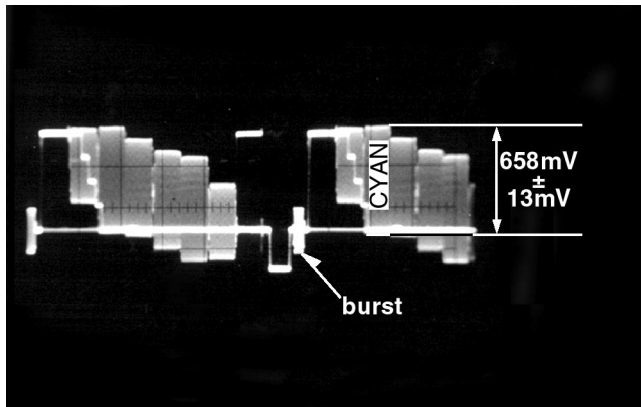
2. Video Output (Chrominance Signal) Adjustment

Do this adjustment after replacing a C.B.A.

Measurement point	Adjustment point	Mode	Disc
Video output terminal	VR3511 (mother C.B.A.)	Color bar 75%	DVD disc (Color bar 75%)
Measuring equipment, tools		Adjustment value	
Screwdriver, Oscilloscope 200mV/div, 10msec/div		658mVp-p±13mV	

Purpose: To maintain video signal output compatibility.

1. Connect the oscilloscope to the video output terminal and terminate at 75 ohms.
2. Adjust VR3511 so that the chrominance signal (C) level becomes 658 mVp-p±13 mV.



DVF-5020

ADJUSTMENT/ABBREVIATION

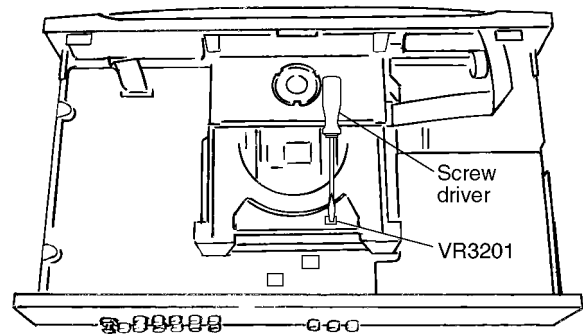
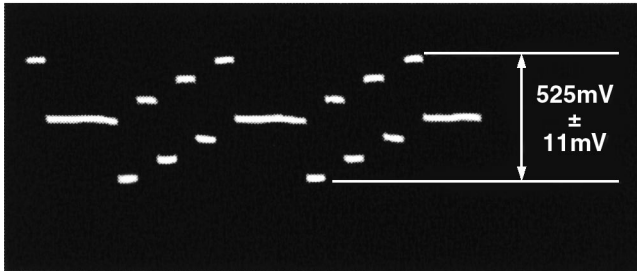
3. Video Component Signal (CB) Output Adjustment

Do this adjustment after replacing a C.B.A.

Measurement point	Adjustment point	Mode	Disc
Video output terminal	VR3201 (mother C.B.A.)	Color bar 75%	DVD disc (Color bar 75%)
Measuring equipment, tools		Adjustment value	
Screwdriver, Oscilloscope 100mV/div, 10msec/div		525mVp-p±11mV	

Purpose: To maintain video signal output compatibility.

1. Connect the oscilloscope to the video component output terminal and terminate at 75 ohms.
2. Apply the trigger at the Y output terminal signal.
3. Adjust VR3041 so that the video component signal (CB) level becomes 525 mVp-p ±11 mV.



4. Abbreviations

INITIAL/LOGO	ABBREVIATIONS	
A	A0~UP ADDRESS	
	ACLK AUDIO CLOCK	
	AD0~UP ADDRESS BUS	
	ADATA AUDIO PES PACKET DATA	
	ALE ADDRESS LATCH ENABLE	
	AMUTE AUDIO MUTE	
	AREQ AUDIO PES PACKET REQUEST	
	ARF AUDIO RF	
	ASI SERVO AMP INVERTED INPUT	
	ASO SERVO AMP OUTPUT	
	ASync AUDIO WORD DISTINCTION SYNC	
	B	BCK BIT CLOCK (PCM)
		BCKIN BIT CLOCK INPUT
BDO BLACK DROP OUT		
BLKCK SUB CODE BLOCK CLOCK		
BOTTOM CAP. FOR BOTTOM HOLD		
BYP BYPATH		
BYTCK BYTE CLOCK		
C	CAV CONSTANT ANGULAR VELOCITY	
	CBDO CAP. BLACK DROP OUT	
	CD COMPACT DISC	
	CDSCK CD SERIAL DATA CLOCK	
	CDSRDATA CD SERIAL DATA	
	CDRF CD RF (EFM) SIGNAL	
	CDV COMPACT DISC-VIDEO	
	CHNDATA CHANNEL DATA	
	CKSL SYSTEM CLOCK SELECT	
	CLV CONSTANT LINEAR VELOCITY	
	COFTR CAP. OFF TRACK	
	CPA CPU ADDRESS	

INITIAL/LOGO	ABBREVIATIONS	
C	CPCS CPU CHIP SELECT	
	CPDT CPU DATA	
	CPUADR CPU ADDRESS LATCH	
	CPUADT CPU ADDRESS DATA BUS	
	CPUIRQ CPU INTERRUPT REQUEST	
	CPRD CPU READ ENABLE	
	CPWR CPU WRITE ENABLE	
	CS CHIP SELECT	
	CSyncIN COMPOSITE SYNC IN	
	CSyncOUT COMPOSITE SYNC OUT	
	D	DACCK D/A CONVERTER CLOCK
		DEEMP DEEMPHASIS BIT ON/OFF
DEMPH DEEMPHASIS SWITCHING		
DIG0~UP FL DIGIT OUTPUT		
DIN DATA INPUT		
DMSRCK DM SERIAL DATA READ CLOCK		
DMUTE DIGITAL MUTE CONTROL		
DO DROP OUT		
DOUT0~UP DATA OUTPUT		
DRF DATA SLICE RF (BIAS)		
DRPOUT DROP OUT SIGNAL		
DREQ DATA REQUEST		
DRESP DATA RESPONSE		
DSC DIGITAL SERVO CONTROLLER		
DSLFF DATA SLICE LOOP FILTER		
DVD DIGITAL VIDEO DISC		
E	EC ERROR TORQUE CONTROL	
	ECR ERROR TORQUE CONTROL REFERENCE	
	ENCSEL ENCODER SELECT	

ABBREVIATION

INITIAL/LOGO	ABBREVIATIONS
E	ETMCLK EXTERNAL M CLOCK (81MHz/40.5MHz)
	ETSCLK EXTERNAL S CLOCK (54MHz)
F	FBAL FOCUS BALANCE
	FCLK FRAME CLOCK
	FE FOCUS ERROR
	FFI FOCUS ERROR AMP INVERTED INPUT
	FEO FOCUS ERROR AMP OUTPUT
	FG FREQUENCY GENERATOR
	FSC FREQUENCY SUB CARRIER
	FSCK FS (384 OVER SAMPLING) CLOCK
G	GND COMMON GROUNDING (EARTH)
H	HA0~UP HOST ADDRESS
	HD0~UP HOST DATA
	HINT HOST INTERRUPT
	HRXW HOST READ/WRITE
I	IECOUT IEC958 FORMAT DATA OUTPUT
	IPFRAG INTERPOLATION FLAG
	IREF I (CURRENT) REFERENCE
	ISEL INTERFACE MODE SELECT
L	LDON LASER DIODE CONTROL
	LPC LASER POWER CONTROL
	LRCK L CH/R CH DISTINCTION CLOCK
M	MA0~UP MEMORY ADDRESS
	MCK MEMORY CLOCK
	MCKI MEMORY CLOCK INPUT
	MCLK MEMORY SERIAL COMMAND CLOCK
	MDATA MEMORY SERIAL COMMAND DATA
	MDQ0~UP MEMORY DATA INPUT/OUTPUT
	MDQM MEMORY DATA I/O MASK
	MLD MEMORY SERIAL COMMAND LOAD
	MPEG MOVING PICTURE EXPERTS GROUP
O	ODC OPTICAL DISC CONTROLLER
	OFTR OFF TRACKING
	OSCI OSCILLATOR INPUT
	OSCO OSCILLATOR OUTPUT
	OSD ON SCREEN DISPLAY
P	P1~UP PORT
	PCD CD TRACKING PHASE DIFFERENCE
	PCK PLL CLOCK
	PDVD DVD TRACKING PHASE DIFFERENCE
	PEAK CAP. FOR PEAK HOLD
	PLLCLK CHANNEL PLL CLOCK
	PLLOK PLL LOCK
	PWMCTL PWM OUTPUT CONTROL
	PWMDA PULSE WAVE MOTOR DRIVE A
	PWMOA, B" PULSE WAVE MOTOR OUT A, B"

INITIAL/LOGO	ABBREVIATIONS
R	RE READ ENABLE
	RFENV RF ENVELOPE
	RFO RF PHASE DIFFERENCE OUTPUT
	RS (CD-ROM) REGISTER SELECT
	RSEL RF POLARITY SELECT
	RST RESET
RSV RESERVE	
S	SBI0, 1 SERIAL DATA INPUT
	SBO0 SERIAL DATA OUTPUT
	SBT0, 1 SERIAL CLOCK
	SCK SERIAL DATA CLOCK
	SCKR AUDIO SERIAL CLOCK RECEIVER
	SCL SERIAL CLOCK
	SCLK SERIAL CLOCK
	SDA SERIAL DATA
	SEG0~UP FL SEGMENT OUTPUT
	SELCLK SELECT CLOCK
	SEN SERIAL PORT ENABLE
	SIN1, 2 SERIAL DATA IN
	SOUT1, 2 SERIAL DATA OUT
	SPDI SERIAL PORT DATA INPUT
	SPDO SERIAL PORT DATA OUTPUT
	SPEN SERIAL PORT R/W ENABLE
	SPRCLK SERIAL PORT READ CLOCK
	SPWCLK SERIAL PORT WRITE CLOCK
	SQCK SUB CODE Q CLOCK
	SQCX SUB CODE Q DATA READ CLOCK
	SRDATA SERIAL DATA
	SRMADR SRAM ADDRESS BUS
	SRMDT0~7 SRAM DATA BUS 0~7
	SS START/STOP
	STAT STATUS
	STCLK STREAM DATA CLOCK
	STD0~UP STREAM DATA
STENABLE STREAM DATA INPUT ENABLE	
STSEL STREAM DATA POLARITY SELECT	
STVALID STREAM DATA VALIDITY	
SUBC SUB CODE SERIAL	
SBCK SUB CODE CLOCK	
SUBQ SUB CODE Q DATA	
SYSClk SYSTEM CLOCK	
T	TE TRACKING ERROR
	TIBAL BALANCE CONTROL
	TID BALANCE OUTPUT 1
	TIN BALANCE INPUT
	TIP BALANCE INPUT
	TIS BALANCE OUTPUT 2
	TPSN OP AMP INPUT
	TPSO OP AMP OUTPUT
	TPSP OP AMP INVERTED INPUT
	TRCRS TRACK CROSS SIGNAL
	TRON TRACKING ON
	TRSON TRAVERSE SERVO ON

DVF-5020

ABBREVIATION/VOLTAGE CHART

INITIAL/LOGO		ABBREVIATIONS
V	VBLANK	V BLANKING
	VCC	COLLECTOR POWER SUPPLY VOLTAGE
	VCDCONT	VIDEO CD CONTROL (TRACKING BALANCE)
	VDD	DRAIN POWER SUPPLY VOLTAGE
	VFB	VIDEO FEED BACK
	VREF	VOLTAGE REFERENCE
	VSS	SOURCE POWER SUPPLY VOLTAGE
W	WAIT	BUS CYCLE WAIT
	WDCK	WORD CLOCK
	WEH	WRITE ENABLE HIGH
	WSR	WORD SELECT RECEIVER
X	X	X'TAL
	XALE	X ADDRESS LATCH ENABLE
	XAREQ	X AUDIO DATA REQUEST
	XCDROM	X CD ROM CHIP SELECT

INITIAL/LOGO		ABBREVIATIONS
X	XCS	X CHIP SELECT
	XCSYNC	X COMPOSITE SYNC
	XDS	X DATA STROBE
	XHSYNCO	X HORIZONTAL SYNC OUTPUT
	XHINT	XH INTERRUPT REQUEST
	XI	X'TAL OSCILLATOR INPUT
	XINT	X INTERRUPT
	XMW	X MEMORY WRITE ENABLE
	XO	X'TAL OSCILLATOR OUTPUT
	XRE	X READ ENABLE
	XSRMCE	X SRAM CHIP ENABLE
	XSRMOE	X SRAM OUTPUT ENABLE
	XSRMWE	X SRAM WRITE ENABLE
	XVCS	X V-DEC CHIP SELECT
	XVDS	X V-DEC CONTROL BUS STROBE
	XVSYNCO	X VERTICAL SYNC OUTPUT

5. VOLTAGE CHART

5-1 POWER SUPPLY C.B.A.

Ref No.	IC1021							IC1101			IC1121			
MODE	1	2	3	4	5	6	7	A	K	R	1	2	3	4
STOP	-26.0	0	0	0	17.0	0.5	0.2	0	3.9	2.5	5.1	3.3	0	3.4
PLAY	-26.0	0	0	0	17.0	0.5	0.2	0	3.9	2.5	5.1	3.3	0	3.4

Ref No.	IC1151				
MODE	1	2	3	4	5
STOP	0	3.4	8.9	8.9	12.5
PLAY	0	3.4	8.9	8.9	12.5

Ref No.	Q1041				Q1111		
MODE	1	2	3	4	S	D	G
STOP	5.2	4.1	0.5	16.6	5.1	5.1	0
PLAY	5.2	4.1	0.5	16.6	5.1	5.1	0

Ref No.	QR1111		
MODE	E	C	B
STOP	0	0	3.4
PLAY	0	0	3.4

5-2 MODULE C.B.A.

Ref No.	IC2001																			
MODE	1	2	3	4	5	6	7	8	9	10	11	12	13	14	15	16	17	18	19	20
STOP	3.1	0	0	0	3.1	0	3.1	3.1	0	3.1	3.1	0	0.1	0.1	0	3.1	0	0.1	0.1	1.6
PLAY	3.1	0	0	0	3.1	0	3.1	3.1	0	3.1	3.1	0	3.1	0	3.1	0	0	3.1	1.5	1.8

Ref No.	IC2001																			
MODE	21	22	23	24	25	26	27	28	29	30	31	32	33	34	35	36	37	38	39	40
STOP	1.6	0.1	1.6	1.6	1.6	1.6	0	3.1	0	1.6	0.1	0.9	0	3.1	0	0	0	0	0	0
PLAY	1.5	1.8	1.5	1.5	1.5	1.5	0	3.1	0	1.6	0	0	3.1	3.1	3.0	0	0	0	0	0

Ref No.	IC2001																			
MODE	41	42	43	44	45	46	47	48	49	50	51	52	53	54	55	56	57	58	59	60
STOP	1.6	0	0	0.2	0	0	0	0	0	0	0	3.1	0	0	0	0	0	0	0	1.5
PLAY	1.6	1.5	0	0.2	0	0	0	0	0	0	0	3.1	0	0	1.5	0	3.1	0	0	0

Ref No.	IC2001																			
MODE	61	62	63	64	65	66	67	68	69	70	71	72	73	74	75	76	77	78	79	80
STOP	0.2	1.5	0.2	0.2	0	0	0	0	3.1	3.1	1.5	0	0	3.1	0	0	1.4	0	0	0
PLAY	0	0.1	1.5	1.5	0	0	0	0	3.1	3.1	1.4	0.1	0	3.1	0.1	0.5	0.1	2.1	3.1	0.1

Ref No.	IC2001																			
MODE	81	82	83	84	85	86	87	88	89	90	91	92	93	94	95	96	97	98	99	100
STOP	1.3	0	0	0	1.4	0	1.4	0	1.4	0.6	1.4	1.4	1.4	1.4	0	0	3.1	0.1	0.1	1.6
PLAY	1.1	1.4	0.1	0.1	0.1	1.4	1.3	2.1	1.4	0.6	1.4	1.4	1.4	1.4	1.2	1.2	0	3.1	1.5	1.9

Ref No.	IC2001																			
MODE	101	102	103	104	105	106	107	108	109	110	111	112	113	114	115	116	117	118	119	120
STOP	0.1	1.4	1.4	1.4	1.4	3.1	0.1	0.1	0.1	1.5	0.1	0	0	3.1	0.1	0	0.1	1.4	0	1.6
PLAY	1.4	1.3	1.4	1.6	0.3	3.1	0.2	1.4	0.2	0.2	1.4	0	0	3.1	2.3	0	1.2	1.4	0	1.5

Ref No.	IC2001							
MODE	121	122	123	124	125	126	127	128
STOP	0.1	0	0.1	0.4	0.1	0.1	0	3.1
PLAY	1.6	0	0	0.6	0	0	0	0

VOLTAGE CHART

Ref No.	IC2001																																	
MODE	121	122	123	124	125	126	127	128																										
STOP	0.1	0	0.1	0.4	0.1	0.1	0	3.1																										
PLAY	1.6	0	0	0.6	0	0	0	0																										
Ref No.	IC2501																																	
MODE	1	2	3	4	5	6	7	8	9	10	11	12	13	14	15	16	17	18	19	20														
STOP	0	2.2	5.0	5.0	5.0	5.0	5.0	5.0	0	2.1	2.1	0	5.0	0	2.2	2.2	0.6	0.1	0	0														
PLAY	0.3	2.9	2.9	0.3	2.9	2.9	2.9	0.8	3.5	2.1	2.1	0	4.9	0	0	0.3	0.6	0	0.3	0.3														
Ref No.	IC2501																																	
MODE	21	22	23	24	25	26	27	28	29	30																								
STOP	8.9	8.9	2.2	2.2	2.2	2.2	2.3	2.1	0	0																								
PLAY	8.8	8.8	7.2	0.3	0	7.2	0	7.2	0	0																								
Ref No.	IC2511																																	
MODE	1	2	3	4	5	6	7	8	9	10	11	12	13	14	15	16	17	18	19	20														
STOP	0.1	1.4	1.4	1.4	0.1	0.1	1.4	0	2.4	4.9	0.1	0.1	0.1	0.4	5.8	2.2	5.8	2.3	8.9	2.4														
PLAY	1.4	0.8	1.4	1.5	1.3	1.3	0.7	0	3.1	4.9	2.5	2.5	0.5	2.7	3.2	5.1	3.2	1.2	8.8	3.1														
Ref No.	IC2511																																	
MODE	21	22	23	24	25	26	27	28	29	30																								
STOP	0	1.4	1.4	1.4	1.4	1.4	1.4	8.9	0	0																								
PLAY	0	1.2	1.4	1.4	1.4	1.2	1.4	8.8	0	0																								
Ref No.	IC3001																																	
MODE	1	2	3	4	5	6	7	8	9	10	11	12	13	14	15	16	17	18	19	20														
STOP	3.2	0	1.2	0.1	0	1.2	0	0.8	3.2	1.2	0	2.5	3.5	0	0	3.2	0.9	0	1.5	0														
PLAY	3.2	0	1.4	0.1	0	1.5	0.1	0	3.2	1.4	0	2.5	3.5	0	0	3.2	0	0	1.5	0														
Ref No.	IC3001																																	
MODE	21	22	23	24	25	26	27	28	29	30	31	32	33	34	35	36	37	38	39	40														
STOP	0	2.5	3.2	3.2	3.1	3.2	0	3.2	2.9	3.2	1.5	3.2	2.4	2.4	2.3	2.3	2.6	2.3	2.3	2.1														
PLAY	0	0	3.2	3.1	2.5	3.1	0	3.2	2.7	3.1	1.5	3.2	2.0	1.9	1.9	1.9	2.5	1.9	2.0	1.8														
Ref No.	IC3001																																	
MODE	41	42	43	44	45	46	47	48	49	50	51	52	53	54	55	56	57	58	59	60														
STOP	2.1	0	2.0	2.2	1.9	3.1	0.1	2.6	2.8	2.7	2.8	0.1	3.2	2.7	2.8	2.8	2.7	2.7	2.7	0														
PLAY	1.6	0	1.6	2.0	1.5	3.2	2.3	2.2	2.5	2.4	2.5	0	3.2	2.4	2.6	2.7	2.3	2.3	2.5	0														
Ref No.	IC3001																																	
MODE	61	62	63	64	65	66	67	68	69	70	71	72	73	74	75	76	77	78	79	80														
STOP	2.7	2.3	0.1	2.8	2.8	2.5	0	3.2	1.7	0.1	3.2	3.3	3.2	0.1	0.1	0	0.1	0.1	0.1	0.1														
PLAY	2.4	2.5	2.4	2.6	2.6	2.5	0.1	0.7	1.6	0	0.4	3.3	3.2	3.1	3.0	3.0	3.3	3.3	2.5	3.3														
Ref No.	IC3001																																	
MODE	81	82	83	84	85	86	87	88	89	90	91	92	93	94	95	96	97	98	99	100														
STOP	0.1	0.1	0	1.4	2.5	0.1	1.5	0	0.2	0.2	3.2	0	0	0	0	2.5	3.2	0.2	0	0														
PLAY	3.3	3.3	0	0	2.5	0	1.5	0	0	3.2	3.2	0	0	0	0	2.5	3.2	3.2	0	0														
Ref No.	IC3001																																	
MODE	101	102	103	104	105	106	107	108	109	110	111	112	113	114	115	116	117	118	119	120														
STOP	0	0.1	0	3.2	0	0	0	0.1	0.1	1.6	0	2.5	1.4	1.6	1.6	3.2	0.1	0	0	0														
PLAY	0	0	0	3.2	0	0	0	0	0	1.6	0	2.5	1.5	1.6	1.6	3.2	0	0	0	0														
Ref No.	IC3001																																	
MODE	121	122	123	124	125	126	127	128	129	130	131	132	133	134	135	136	137	138	139	140														
STOP	3.1	0	0.4	2.8	0	3.3	0	0.4	2.8	0	0	0	0.4	2.8	0	3.3	1.6	1.6	2.1	0														
PLAY	3.1	0	0	2.9	0	3.3	0	0.4	2.9	0	0	0	0.2	0	0	3.3	1.6	1.6	2.1	0														
Ref No.	IC3001																																	
MODE	141	142	143	144	145	146	147	148	149	150	151	152	153	154	155	156	157	158	159	160														
STOP	0	3.2	3.2	2.9	2.5	1.6	0	0	0.5	0.5	0.5	1.5	0.6	0.2	1.2	3.2	0	2.9	3.0	3.2														
PLAY	0	3.2	3.1	2.9	2.5	1.6	0	0	0.8	0.6	0	1.2	0.9	0.9	1.6	3.2	0	3.0	3.0	2.2														
Ref No.	IC3001																																	
MODE	161	162	163	164	165	166	167	168	169	170	171	172	173	174	175	176	177	178	179	180														
STOP	2.8	2.9	0	2.9	2.9	0	2.9	2.9	0	2.8	3.1	3.2	2.9	2.5	2.7	0	2.9	2.9	2.9	2.9														
PLAY	3.0	3.0	0	2.9	0	3.2	2.8	2.6	0	2.6	2.8	0	2.5	2.5	2.7	0	2.7	2.7	3.2	3.0														
Ref No.	IC3001																																	
MODE	181	182	183	184	185	186	187	188	189	190	191	192	193	194	195	196	197	198	199	200														
STOP	2.9	0	1.7	3.2	1.7	0	3.1	2.5	2.8	3.1	3.2	2.8	3.1	0	3.1	3.1	3.1	3.2	3.0	0														
PLAY	2.8	0	1.7	3.2	1.7	0	3.1	2.5	2.6	3.1	3.2	2.6	3.1	0	3.1	3.1	3.1	0.3	3.0	0														
Ref No.	IC3001																																	
MODE	201	202	203	204	205	206	207	208																										
STOP	0	2.5	0.1	0	3.2	0	1.2	0																										
PLAY	0	2.5	1.2	0	3.2	0	1.3	0																										
Ref No.	IC3051																																	
MODE	1	2	3	4	5	6	7	8	9	10	11	12	13	14	15	16	17	18	19	20														
STOP	3.1	2.8	2.5	0	2.5	2.6	3.1	2.7	2.6	0	2.5	0.1	3.1	2.7	3.1	0.1	0.1	0.2	0.2	0														
PLAY	3.1	2.5	2.5	0	2.3	2.2	3.1	2.5	2.4	0	2.4	2.5	3.1	0.3	3.1	3.0	2.9	2.8	0.3	0														
Ref No.	IC3051																																	
MODE	21	22	23	24	25	26	27	28	29	30	31	32	33	34	35	36	37	38	39	40														
STOP	0	0	0	1.5	0.2	0	2.1	2.1	2.1	2.1	2.2	2.2	2.2	3.1	1.5	2.7	2.2	3.1	2.2	2.5														
PLAY	0.3	0.3	0	0.3	3.1	0.2	1.3	0.2	0.2	0.2	0	0.1	0.1	3.1	1.5	2.4	0.2	3.1	2.5	2.4														
Ref No.	IC3051																																	
MODE	41	42	43	44	45	46	47	48	49	50																								
STOP	0	2.2	2.1	3.1	2.2	2.2	0	2.2	2.2	0																								
PLAY	0	2.3	2.3	3.1	2.5	2.4	0	2.4	0.3	0																								
Ref No.	IC3061																																	
MODE	1	2	3	4	5	6	7	8	9	10	11	12	13	14	15	16	17	18	19	20														
STOP	3.2	2.9	2.9	0	2.9	2.9	3.2	3.1	2.9	0	2.9	2.9	3.2	2.8	3.1	3.1	3.1	3.0	0.7	0														
PLAY	3.2	3.0	3.0	0	3.0	2.9	3.2	3.0	2.8	0	2.8	3.0	3.2	2.9	3.1	3.1	3.1	3.0	1.1	0														
Ref No.	IC3061																																	
MODE	21	22	23	24	25	26	27	28	29	30	31	32	33	34	35	36	37	38	39	40														
STOP	0	0	0	1.2	3.2	0	0.8	1.2	1.2	1.2	0.5	0.1	0.1	3.2	1.7	2.8	0.1	3.2	2.9	0														
PLAY	0	0	0	1.9	3.2	0	1.6	1.2	0.4	0.4	0	0	0.4	0.4	1.7	2.6	0.2	3.2	2.9	2.9														

DVF-5020

VOLTAGE CHART

Ref No.	IC3061																					
MODE	41	42	43	44	45	46	47	48	49	50												
STOP	0	2.9	2.9	3.2	3.0	2.9	0	2.8	0.4	0												
PLAY	0	0.2	2.8	3.2	3.0	3.0	0	2.9	2.9	0.2												
Ref No.	IC3071																					
MODE	1	2	3	4	5	6	7	8	9	10	11	12	13	14	15	16	17	18	19	20		
STOP	3.2	2.9	2.9	0	2.9	2.9	3.2	3.1	2.9	0	2.8	2.9	3.2	3.2	3.1	3.1	3.0	3.2	0.7	0		
PLAY	3.2	2.8	2.8	0	2.9	2.9	3.2	3.0	3.0	0	2.9	2.9	3.2	3.1	3.1	3.1	3.1	3.1	3.2	1.0	0	
Ref No.	IC3071																					
MODE	21	22	23	24	25	26	27	28	29	30	31	32	33	34	35	36	37	38	39	40		
STOP	0	0	0	1.2	3.2	0	0.8	1.2	1.2	1.2	0.1	0	0.1	3.2	0.1	0.1	0.1	3.1	2.9	2.9		
PLAY	0	0	1.1	1.5	3.2	0.2	1.0	1.4	1.3	1.2	0	0	0.2	3.2	1.7	3.1	0.3	3.2	2.7	2.7		
Ref No.	IC3071										IC3081											
MODE	41	42	43	44	45	46	47	48	49	50	1	2	3	4	5							
STOP	0	2.9	2.9	3.2	3.0	0.1	0.1	0.1	0.1	0.1	3.1	3.1	2.5	1.3	0							
PLAY	0	2.9	2.9	3.1	3.0	0.3	0	2.7	2.8	0	0.8	3.1	2.5	1.3	0							
Ref No.	IC3281					IC3301																
MODE	1	2	3	4	5	1	2	3	4	5	6	7	8									
STOP	5.0	5.0	3.3	2.2	0	2.8	0	2.4	0	2.2	0	0	4.9									
PLAY	4.9	4.9	3.3	1.9	0	3.3	1.8	2.5	0	2.2	2.4	0	4.9									
Ref No.	IC3201																					
MODE	1	2	3	4	5	6	7	8	9	10	11	12	13	14	15	16	17	18	19	20		
STOP	3.3	0	0	0	0.0	1.7	0	0.3	0	0	3.3	0	0	3.3	3.3	3.3	0	0	3.3	3.3		
PLAY	3.3	0.2	0.2	0.2	0.1	0.1	0.8	0.9	1.6	3.0	3.3	0	0	3.3	3.3	3.3	0	0	3.3	3.3		
Ref No.	IC3201																					
MODE	21	22	23	24	25	26	27	28	29	30	31	32	33	34	35	36	37	38	39	40		
STOP	3.3	0	1.6	0.9	0	0.0	3.3	0	0	3.3	0	3.3	0	3.3	0	2.1	1.6	0	0	0		
PLAY	3.3	0	1.6	0.9	0.7	0	3.3	0	0.2	3.3	0.2	3.3	0.7	3.3	0.2	0.3	1.5	1.5	0	0		
Ref No.	IC3201								IC3281													
MODE	41	42	43	44	45	46	47	48	1	2	3	4	5	6								
STOP	0	0	0	3.1	3.3	3.3	0	1.5	4.5	0	0	0	0	0								
PLAY	0	0	0	3.1	0.3	3.3	0	1.5	4.9	0	1.3	3.3	0	4.9								
Ref No.	IC3301																					
MODE	1	2	3	4	5	6	7	8														
STOP	0	2.4	2.4	0	2.2	2.0	3.1	0														
PLAY	3.2	2.4	2.5	0	2.2	2.4	0	0														
Ref No.	IC3302																					
MODE	1	2	3	4	5	6	7	8	9	10	11	12	13	14	15	16						
STOP	0.1	0.1	0	0	0	0	0	0	0	4.8	0.1	2.6	1.9	0.1	0.1	4.9						
PLAY	0.2	1.0	0	0	0	0	0	0	0	0.2	2.6	2.6	2.6	2.9	0.2	4.9						
Ref No.	IC3321																					
MODE	1	2	3	4	5	6	7	8	9	10	11	12	13	14	15	16						
STOP	0	0.1	4.9	3.8	0.1	0.1	0.1	0	0	3.8	4.9	0	1.1	0.1	0.1	4.9						
PLAY	0	0	4.9	3.8	2.7	0	0.2	0	0	3.8	4.9	2.2	1.1	0.3	3.9	4.9						
Ref No.	IC3322																					
MODE	1	2	3	4	5																	
STOP	2.7	0.1	0	2.1	4.9																	
PLAY	2.2	0.1	0	2.6	4.9																	
Ref No.	IC4201																					
MODE	1	2	3	4	5	6	7	8	9	10	11	12	13	14	15	16	17	18	19	20		
STOP	1.6	0	0	2.1	1.4	3.8	0	4.9	4.9	0	2.5	0	0	0	4.9	2.5	0	2.5	0	4.9		
PLAY	1.6	1.1	1.6	2.1	1.4	3.8	0	4.9	4.9	0	2.5	0	0	0	4.9	2.5	0.1	2.5	0	4.9		
Ref No.	IC4201																					
MODE	21	22	23	24	25	26	27	28														
STOP	0.3	3.6	0	4.9	4.9	5.1	5.1	5.1														
PLAY	4.9	3.5	0	4.9	4.9	5.0	5.0	5.0														
Ref No.	IC4211																					
MODE	1	2	3	4	5	6	7	8	9	10	11	12	13	14	15	16	17	18	19	20		
STOP	0.1	0	1.6	0	0	0	0	0	0	0	2.5	0	2.5	0	5.0	2.5	0.6	2.5	0	4.9		
PLAY	1.6	1.1	1.6	0	0	0	0	4.9	0	0	2.5	0	2.5	0	4.9	2.5	0.1	2.5	0	4.9		
Ref No.	IC4211																					
MODE	21	22	23	24	25	26	27	28														
STOP	0	3.6	0	4.9	4.9	5.1	5.1	5.1														
PLAY	0.7	3.5	0	4.9	4.9	5.0	5.0	5.0														
Ref No.	IC4221																					
MODE	1	2	3	4	5	6	7	8	9	10	11	12	13	14	15	16	17	18	19	20		
STOP	1.6	0.1	1.6	2.2	1.4	3.8	0.1	0.1	0.1	0.1	2.4	0	2.5	0	4.9	2.5	0.5	2.5	0	4.9		
PLAY	1.6	0	1.6	2.2	1.4	0.4	0	4.9	4.9	0.1	2.4	0	0	0	4.9	4.5	0.4	2.5	0	4.9		
Ref No.	IC4221																					
MODE	21	22	23	24	25	26	27	28														
STOP	0	3.6	0.1	4.9	4.9	5.1	5.1	5.1														
PLAY	0	0.5	0.5	0.5	0.5	5.0	5.0	5.0														
Ref No.	IC4231																					
MODE	1	2	3	4	5	6	7	8	9	10	11	12	13	14	15	16	17	18	19	20		
STOP	1.6	0	1.6	2.2	1.4	3.7	0.1	4.9	4.9	0	0.1	0.1	2.5	0	4.9	4.9	0	2.5	0	4.9		
PLAY	1.6	0.5	1.6	2.2	1.4	3.7	0	4.9	0.4	0.4	2.4	0.5	2.5	0	4.9	2.5	0	0	0	4.9		
Ref No.	IC4231																					
MODE	21	22	23	24	25	26	27	28														
STOP	0	3.6	0	4.9	4.9	5.1	5.1	5.1														
PLAY	0	3.5	0	4.9	4.9	5.0	0.5	5.0														
Ref No.	IC4241														IC5201							
MODE	1	2	3	4	5	6	7	8	9	10	11	12	13	14	1	2	3	4	5			
STOP	3.2	0.2	5.1	3.2	3.2	5.1	0	0.5	3.2	3.2	5.1	3.2	0.1	0.1	0	4.9	1.3	2.2	0			
PLAY	3.1	0.1	5.0	3.1	3.1	5.0	0.1	5.0	3.2	3.2	5.1	3.2	3.1	5.0	0	4.9	3.3	1.6	0			

VOLTAGE CHART

Ref No.	IC5202																			
MODE	1	2	3	4	5	6	7	8	9	10	11	12	13	14	15	16	17	18	19	20
STOP	0	0.1	0.1	0	1.6	1.6	1.8	0.1	0.1	1.4	0.8	0.1	1.4	0.1	0.1	0.1	0.1	0.1	3.1	0.1
PLAY	0.2	3.1	3.3	0.5	1.6	1.6	1.8	2.1	1.6	1.3	0.8	1.3	0.3	0.3	0.6	0.3	0.3	0	0.3	0.3
Ref No.	IC5202																			
MODE	21	22	23	24	25	26	27	28	29	30	31	32	33	34	35	36	37	38	39	40
STOP	0.1	3.1	0.1	4.9	0.1	1.2	0	0	1.4	0.1	0	0	1.4	0	0	0	0	0	0	0
PLAY	3.1	3.1	0.3	0.3	0	0.2	0.2	0.3	0.3	0.3	0.3	0.2	0.2	0.3	0.3	0.3	0.3	0.3	0.3	3.8
Ref No.	IC5202																			
MODE	41	42	43	44	45	46	47	48	49	50	51	52	53	54	55	56	57	58	59	60
STOP	0	0	0	4.9	0	0	0.1	0.1	1.6	0.1	3.1	0	4.9	0	4.9	0	0	2.2	2.5	0
PLAY	0.3	0.2	2.4	4.9	0	0	0.1	0.2	0.1	1.5	3.1	0.3	4.8	0	4.8	0.5	1.2	2.2	2.0	2.0
Ref No.	IC5202																			
MODE	61	62	63	64	65	66	67	68	69	70	71	72	73	74	75	76	77	78	79	80
STOP	0	1.6	0	1.3	0.2	0	1.6	1.4	0.1	0.1	2.2	0.1	0.1	0.1	3.4	3.4	0.1	0	2.1	2.1
PLAY	1.5	1.6	0	1.1	0.2	0.2	1.6	1.4	1.8	2.0	2.3	2.2	2.2	2.9	0.3	3.6	1.1	2.1	2.1	1.3
Ref No.	IC5202																			
MODE	81	82	83	84	85	86	87	88	89	90	91	92	93	94	95	96	97	98	99	100
STOP	4.9	0.1	2.2	3.4	0.1	2.0	2.1	1.4	0.1	0.1	0.1	0.1	4.9	2.1	0.1	0.1	0.1	2.2	0.1	
PLAY	4.8	1.4	1.3	3.6	3.4	2.0	1.4	1.3	1.3	1.2	1.3	2.0	4.8	2.0	2.0	1.3	2.0	2.1	1.3	1.3
Ref No.	IC6201																			
MODE	1	2	3	4	5	6	7	8	9	10	11	12	13	14	15	16	17	18	19	20
STOP	3.1	2.9	0	0	0	0	0	2.7	3.3	3.3	0	0	1.7	2.4	0	2.3	3.1	1.5	0	0
PLAY	3.1	2.7	3.1	3.1	0	0	3.1	2.5	3.3	0	0	3.1	1.0	0	0	1.9	3.1	1.5	0	0
Ref No.	IC6201																			
MODE	21	22	23	24	25	26	27	28	29	30	31	32	33	34	35	36	37	38	39	40
STOP	3.1	3.1	1.4	3.1	0	2.5	2.5	2.5	2.3	0	2.2	2.3	0	3.1	2.1	2.8	2.8	2.8	2.0	2.0
PLAY	0	0	1.4	3.1	3.1	1.8	2.0	2.2	0	0	0.6	0.3	0.3	3.1	0	0	0	0	0	0
Ref No.	IC6201																			
MODE	41	42	43	44	45	46	47	48	49	50	51	52	53	54	55	56	57	58	59	60
STOP	2.0	2.0	0	0.1	0	0	0	0	0	3.1	0.2	3.1	3.1	3.1	3.1	3.1	0.3	3.1	3.1	3.1
PLAY	0	0	0	0	0	0	0	0	0	3.1	3.1	3.1	3.1	3.1	3.1	3.1	0	0.3	3.1	0.3
Ref No.	IC6201																			
MODE	61	62	63	64	65	66	67	68	69	70	71	72	73	74	75	76	77	78	79	80
STOP	0	1.6	3.1	0.3	0.3	3.1	2.7	0.3	2.6	3.1	3.1	3.1	0.3	0.3	3.1	3.1	0	0	3.1	3.1
PLAY	0.3	1.4	0.3	0	0	3.1	3.1	3.1	0.1	0.1	3.1	3.1	3.1	3.1	0.1	3.1	0.1	0.1	0.1	0.1
Ref No.	IC6201																			
MODE	81	82	83	84	85	86	87	88	89	90	91	92	93	94	95	96	97	98	99	100
STOP	0.2	0.2	3.1	0.2	3.1	0.2	0.2	0.3	0.3	0.3	3.1	0	0.3	0.3	3.1	0.2	0.2	0.2	3.1	3.1
PLAY	3.1	3.1	3.1	3.1	3.1	3.1	3.1	3.1	3.1	3.1	3.1	0	3.1	3.1	3.1	0.1	3.1	3.1	3.1	3.1
Ref No.	IC6301				IC6303															
MODE	1	2	3	4	5			1	2	3	4	5	6	7	8					
STOP	0	0	0	3.1	3.1			3.1	3.1	3.1	0	3.1	3.1	3.1	3.1					
PLAY	0	0	0	3.1	3.1			3.1	3.1	3.1	0	3.1	3.1	3.1	3.1					
Ref No.	IC6302																			
MODE	1	2	3	4	5	6	7	8	9	10	11	12	13	14	15	16	17	18	19	20
STOP	1.8	2.7	2.8	2.8	1.8	2.0	0.1	1.9	0.1	0	3.1	3.1	0	0	0.1	0	0	2.1	0	2.4
PLAY	1.8	2.5	2.6	1.8	1.1	1.7	1.8	1.5	1.7	1.7	3.1	1.7	1.8	1.7	4.0	1.7	0.8	1.8	1.8	2.1
Ref No.	IC6302																			
MODE	21	22	23	24	25	26	27	28	29	30	31	32	33	34	35	36	37	38	39	40
STOP	2.3	0.1	0.1	2.3	2.7	2.7	0	0	2.7	2.7	2.7	2.7	2.8	2.8	0	2.8	0	2.8	0	0
PLAY	1.9	2.7	2.8	1.8	2.7	0.3	0	0	2.9	2.9	2.9	2.9	2.9	0.3	0.3	2.9	0.3	3.0	2.9	2.9
Ref No.	IC6302																			
MODE	41	42	43	44	45	46	47	48												
STOP	0	2.9	2.8	0	0	0	3.1	0												
PLAY	2.9	3.0	2.9	3.0	3.0	0	3.1	2.3												
Ref No.	IC6501																			
MODE	1	2	3	4	5	6	7	8	9	10	11	12	13	14	15	16				
STOP	0	3.1	0	0	0	0	0	0	1.5	3.2	0	0	3.2	1.5	3.1	3.1				
PLAY	0	3.1	0	1.1	0	1.2	1.4	1.2	3.2	1.2	1.2	3.2	1.5	3.1	3.1					
Ref No.	IC6511								IC6521											
MODE	1	2	3	4	5	6			1	2	3	4	5	6	7	8				
STOP	4.9	1.1	1.2	3.3	0	4.9			1.4	1.5	1.4	0	1.4	3.1	0	2.4				
PLAY	4.9	0	1.2	3.3	0	4.9			1.4	1.1	1.4	0	1.4	3.1	0	3.0				

DVF-5020

VOLTAGE CHART

Ref No.	IC6541					IC6542														
MODE	1	2	3	4	5	1	2	3	4	5										
STOP	2.6	1.5	0	1.5	3.0	2.6	2.6	0	2.6	3.0										
PLAY	1.4	1.5	0	1.5	3.0	1.3	1.3	0	1.4	3.0										
Ref No.	IC6561					IC6562					IC6563									
MODE	1	2	3	4	5	1	2	3	4	5	1	2	3	4	5	6	7	8		
STOP	2.3	1.5	0	1.5	3.0	2.3	1.5	0	1.4	3.0	2.4	2.3	1.3	0	1.3	3.0	3.0	3.0		
PLAY	1.3	1.5	0	1.5	3.0	1.2	1.5	0	1.4	3.0	1.4	1.3	1.3	0	1.3	3.0	3.0	3.0		
Ref No.	IC6581					IC6582														
MODE	1	2	3	4	5	1	2	3	4	5	1	2	3	4	5	6	7	8		
STOP	2.3	1.5	0	1.4	3.0	0	1.5	0	1.4	3.0	1.5	1.4	1.4	0	1.4	3.0	3.0	3.0		
PLAY	1.5	1.4	0	1.4	3.0	1.4	1.4	0	1.4	3.0	1.4	0	1.3	0	1.4	3.0	3.0	3.0		
Ref No.	IC6601																			
MODE	1	2	3	4	5	6	7	8												
STOP	4.9	4.9	0	0	1.5	1.5	1.9	1.9												
PLAY	4.8	4.9	0	0	1.5	1.6	1.9	4.9												
Ref No.	IC7001																			
MODE	1	2	3	4	5	6	7	8	9	10	11	12	13	14	15	16	17	18	19	20
STOP	5.0	5.0	0	5.0	5.0	0.1	0.1	0	0.1	3.1	5.0	0	5.0	5.0	5.0	0	0	5.0	5.0	
PLAY	2.6	0.2	2.5	4.9	0.2	2.6	0.2	0	2.5	3.1	0.2	2.5	4.9	2.6	4.9	0.2	2.6	0	0.2	2.6
Ref No.	IC7001																			
MODE	21	22	23	24	25	26	27	28	29	30	31	32	33	34	35	36	37	38	39	40
STOP	5.0	5.0	0.1	0.1	0.1	0.1	0.1	0.1	0	3.1	3.1	0.1	0	0	0	3.1	1.4	1.7	0	2.7
PLAY	0.2	4.9	0.2	0.2	0.2	3.1	3.1	0.7	0	3.1	0.3	0.6	0	0	0	3.1	1.1	1.1	0	2.5
Ref No.	IC7001																			
MODE	41	42	43	44	45	46	47	48	49	50	51	52	53	54	55	56	57	58	59	60
STOP	0	2.7	1.8	3.1	3.1	0.8	0	0	1.5	1.2	2.1	1.5	1.7	1.8	2.1	0	0.2	0	0	0
PLAY	2.6	0.2	1.2	3.1	0.2	2.0	1.5	0.2	1.8	0.2	0.2	1.8	1.9	1.9	2.0	0	0.2	3.1	3.1	2.7
Ref No.	IC7001																			
MODE	61	62	63	64	65	66	67	68	69	70	71	72	73	74	75	76	77	78	79	80
STOP	3.1	3.1	0	4.0	0	3.1	0	3.1	0	3.1	0	3.1	3.1	3.1	0.1	3.1	0	0.1	0	0.2
PLAY	3.1	2.6	2.6	4.0	0.3	3.1	0	2.5	2.5	2.5	0	2.5	2.4	2.3	1.5	3.1	0	3.1	0	0.2
Ref No.	IC7001																			
MODE	81	82	83	84	85	86	87	88	89	90	91	92	93	94	95	96	97	98	99	100
STOP	0	0	0	0	0.1	3.1	0	0	0	0.1	0.1	3.1	0	3.1	0	3.1	0	3.1	0	0
PLAY	0	0	0	0	3.1	3.1	0	3.1	0	0	0	0	0	3.1	0	3.1	0	3.1	0	0
Ref No.	IC7001																			
MODE	101	102	103	104	105	106	107	108	109	110	111	112	113	114	115	116	117	118	119	120
STOP	1.4	3.1	0	3.1	3.1	3.1	0	0	0	0	0	1.5	1.5	1.5	0	3.1	0	3.1	0	0
PLAY	0	3.1	0	3.1	3.1	3.1	0	0	3.1	0	0.5	1.5	0	1.5	0	3.1	0	0	0	0
Ref No.	IC7001																			
MODE	121	122	123	124	125	126	127	128	129	130	131	132	133	134	135	136	137	138	139	140
STOP	0	0	0	0	5.0	5.0	0	5.0	0	3.1	2.3	5.0	0	0	0	0	0	5.0	0	0.4
PLAY	0	0	0	0	4.9	4.9	0	4.9	0	3.1	2.2	4.9	0.1	0	4.9	0.4	0	4.0	4.9	0.1
Ref No.	IC7001				IC7301					IC7302										
MODE	141	142	143	144	1	2	3	4	5	1	2	3	4	5						
STOP	2.5	0	0.1	0.1	3.1	2.9	0	2.9	3.1	2.9	3.1	0	3.1	3.1						
PLAY	2.4	0	0	0	3.1	3.0	0	3.0	3.1	3.0	3.1	0	3.1	3.1						
Ref No.	Q3201			Q3211			Q3221			Q3231			Q3241							
MODE	E	C	B	E	C	B	E	C	B	E	C	B	E	C	B					
STOP	1.5	0	0.9	2.3	0	0.5	1.4	0	0.8	1.4	0	0.8	0.7	0	0.1					
PLAY	0.1	0	0.9	1.3	0	0.7	1.4	0	0.7	1.4	0	0.7	1.0	0	0.3					
Ref No.	Q3301			Q3302			Q3303			Q3304			Q3305							
MODE	E	C	B	E	C	B	E	C	B	E	C	B	E	C	B					
STOP	1.1	0	0.5	2.4	4.9	2.4	2.4	3.3	2.9	2.4	2.4	1.5	2.4	4.9	1.6					
PLAY	1.3	0	0.6	2.5	4.9	2.6	2.3	0.1	2.9	2.7	0.1	2.1	1.1	4.9	1.6					
Ref No.	Q3321			Q3322			Q3331			Q5201										
MODE	E	C	B	E	C	B	E	C	B	E	C	B								
STOP	0	2.2	0.6	0	0.1	2.4	2.5	4.8	2.4	4.5	4.9	1.2								
PLAY	0	0	0.6	0	0.1	0.6	0.1	4.7	0	3.3	3.9	2.2								
Ref No.	QR2001			QR2201			QR2501			QR2502										
MODE	E	C	B	E	C	B				1.0	2.0	3.0	4.0	5.0		1.0	2.0	3.0	4.0	5.0
STOP	0	0	3.1	1.7	0	3.1				3.1	0.2	0.2	0	0		3.1	0	0.2	0	0
PLAY	0.4	0.5	3.1	0	0	3.1				0	0	3.1	0	3.5		3.1	0	3.1	0	0
Ref No.	QR2503			QR5201			QR5202			QR6311			QR5203							
MODE	E	C	B	E	C	B	E	C	B	E	C	B	E	C	B					
STOP	0	0	0.2	0	1.7	0.3	0	1.3	0	0	3.1	0				3.2	3.1	0		
PLAY	0	1.5	3.1	0	1.4	0	0	1.3	0.1	0	3.1	1.1				3.2	3.2	0		

VOLTAGE CHART

5-3 MOTHER C.B.A.

Ref No.	IC3531																			
MODE	1	2	3	4	5	6	7	8	9	10	11	12	13	14	15	16	17	18	19	20
STOP	2.4	0	2.3	4.9	2.3	4.9	2.3	4.9	2.0	0	1.9	2.0	0	2.4	4.9	2.0	1.5	0	0	1.6
PLAY	2.4	0	2.4	4.9	2.2	4.9	2.2	4.9	1.9	0	1.9	1.9	0	2.4	4.9	2.4	1.6	0	2.4	1.8
Ref No.	IC3531																			
MODE	21	22																		
STOP	0	0																		
PLAY	0	0																		
Ref No.	IC4201																			
MODE	1	2	3	4	5	6	7	8	9	10	11	12	13	14	15	16	17	18	19	20
STOP	1.6	0	1.5	1.8	1.4	4.6	0	4.8	4.8	0	2.4	2.5	2.4	0	4.8	2.4	2.5	2.4	0	4.8
PLAY	1.6	1.1	1.5	1.8	1.4	4.5	0	4.8	4.8	0	2.4	2.7	2.4	0	4.8	2.4	2.7	2.4	0	4.8
Ref No.	IC4201																			
MODE	21	22	23	24	25	26	27	28												
STOP	0.2	4.8	0	4.8	4.8	5.0	5.0	5.0												
PLAY	5.0	4.8	0	4.8	4.8	5.0	5.0	5.0												
Ref No.	IC4211																			
MODE	1	2	3	4	5	6	7	8	9	10	11	12	13	14	15	16	17	18	19	20
STOP	1.6	0	1.5	1.8	1.4	4.5	0	4.8	4.8	0	2.4	2.6	2.4	0	4.8	2.4	2.6	2.4	0	4.8
PLAY	1.5	0	1.5	1.8	1.4	4.5	0	4.8	4.8	0	2.4	2.8	2.4	0	4.8	2.4	2.7	2.4	0	4.8
Ref No.	IC4221																			
MODE	21	22	23	24	25	26	27	28												
STOP	0.1	4.8	0	4.8	4.8	5.0	5.0	5.0												
PLAY	0.1	4.8	0	4.8	4.8	5.0	5.0	5.0												
Ref No.	IC4221																			
MODE	1	2	3	4	5	6	7	8	9	10	11	12	13	14	15	16	17	18	19	20
STOP	1.6	0	1.5	1.8	1.4	4.5	0	4.8	4.8	0	2.4	2.6	2.4	0	4.8	2.4	2.5	2.4	0	4.8
PLAY	1.6	0	1.5	1.8	1.4	4.5	0	4.8	4.8	0	2.4	2.8	2.4	0	4.8	2.4	2.8	2.4	0	4.8
Ref No.	IC4221								IC4232											
MODE	21	22	23	24	25	26	27	28	1	2	3	4	5	6	7	8				
STOP	0.1	4.8	0	4.8	4.8	5.0	5.0	5.0	0.2	0.1	0	0	0.1	0	0	5.0				
PLAY	0.1	4.8	0	4.8	4.8	5.0	5.0	5.0	5.0	0.1	5.0	0	0.1	5.0	5.0	5.0				
Ref No.	IC4251																			
MODE	1	2	3	4	5	6	7	8	9	10	11	12	13	14	15	16	17	18		
STOP	0	5.0	5.0	5.0	0	0	0	0	2.9	0	0	0	0	0	0	0	0	5.0		
PLAY	0	5.0	5.0	5.0	0	0	0	0	2.9	0	0	0	0	0	0	0	0	5.0		
Ref No.	IC4266																			
MODE	1	2	3	4	5	6	7	8	9	10	11	12	13	14						
STOP	3.1	5.0	3.1	5.0	3.1	5.0	0	5.0	3.1	0	0	0	0	5.0						
PLAY	3.1	5.0	3.1	5.0	3.1	5.0	0	5.0	3.1	0	0	0	0	5.0						
Ref No.	IC4301								IC4306											
MODE	1	2	3	4	5	6	7	8	1	2	3	4	5	6	7	8				
STOP	0	0	0	-9.0	0	0	0	9.0	0	0	0	-8.4	0	0	0	8.5				
PLAY	0	0	0	-9.0	0	0	0	9.0	0	0	0	-8.4	0	0	0	8.5				
Ref No.	IC4321								IC4341											
MODE	1	2	3	4	5	6	7	8	1	2	3	4	5	6	7	8				
STOP	0	0	0	-9.0	0	0	0	8.5	0	0	0	-8.9	0	0	0	9.0				
PLAY	0	0	0	-9.0	0	0	0	8.5	0	0	0	-8.9	0	0	0	9.0				
Ref No.	IC4361								IC4362											
MODE	1	2	3	4	5	6	7	8	1	2	3	4	5	6	7	8				
STOP	0	0	0	-8.9	0	0	0	9.0	0	0	0	-9.0	0	0	-0.1	9.0				
PLAY	0	0	0	-8.9	0	0	0	9.0	0	0	0	-9.0	0	0	0	9.0				

DVF-5020

VOLTAGE CHART

Ref No.	IC4391																				
MODE	1	2	3	4	5	6	7	8	9	10	11	12	13	14	15	16	17	18	19	20	
STOP	-8.9	2.3	-0.2	-0.2	1.9	0	0	2.5	0	2.5	0	5.0	5.0	0	2.4	9.0	2.5	0	0	2.0	
PLAY	-8.9	2.3	-0.2	-0.2	2.3	0	0	1.3	0	2.3	0	5.0	5.0	0	2.3	9.0	2.4	0	0	2.3	
Ref No.	IC4391																				
MODE	21	22																			
STOP	-0.2	-0.2	2.2	9.0																	
PLAY	-0.2	-0.2	2.4	9.0																	
Ref No.	IC4392																				
MODE	1	2	3	4	5	6	7	8	9	10	11	12	13	14	15	16	17	18	19	20	
STOP	-8.9	2.1	-0.2	-0.2	2.2	0	0	2.2	0	2.2	0	5.0	5.0	0	2.2	0	2.1	0	0	2.2	
PLAY	-8.9	2.4	-0.2	-0.2	2.5	0	0	2.4	0	2.5	0	5.0	5.0	0	2.5	0	2.5	0	0	2.5	
Ref No.	IC4392																				
MODE	21	22																			
STOP	-0.2	-0.2	2.2	9.0																	
PLAY	-0.2	-0.2	2.5	9.0																	
Ref No.	IC4401								IC4421												
MODE	1	2	3	4	5	6	7	8	1	2	3	4	5	6	7	8					
STOP	0	0	0	-8.9	0	0	0	9.0	0	0	0	-8.9	0	0	0	9.0					
PLAY	0	0	0	-8.9	0	0	0	9.0	0	0	0	-8.9	0	0	0	9.0					
Ref No.	IC4441																				
MODE	1	2	3	4	5	6	7	8	1	2	3	4	5	6	7	8					
STOP	0	0	0	-8.4	0	0	0	8.5	0	0	0	-8.4	0	0	0	8.5					
PLAY	0	0	0	-8.4	0	0	0	8.5	0	0	0	-8.4	0	0	0	8.5					
Ref No.	IC4461																				
MODE	1	2	3	4	5	6	7	8													
STOP	0	0.2	0	-8.9	0	0	0	9.0													
PLAY	0.9	0.9	0	-8.9	0	0	0	9.0													
Ref No.	IC4601																				
MODE	1	2	3	4	5	6	7	8	9	10	11	12	13	14	15	16	17	18	19	20	
STOP	0	0	0	0	5.0	4.9	2.5	2.5	2.5	2.5	2.5	4.2	2.5	2.5	0	0	2.5	2.5	4.9	2.5	
PLAY	0	0	0	0	5.0	4.9	2.4	2.4	2.4	2.4	2.4	4.2	2.4	2.4	0	0	2.4	2.4	4.9	2.4	
Ref No.	IC4601																				
MODE	21	22	23	24	25	26	27	28	29	30	31	32	33	34	35	36	37	38	39	40	
STOP	2.5	0	0	5.0	2.3	2.3	0	0	0.4	0.4	0	0	0	0	0	0	0	0	5.0	0	
PLAY	2.4	0	5.0	5.0	2.3	2.3	0	0	0	0	0	0.8	0	0	5.0	0	0	0	5.0	1.2	
Ref No.	IC4601																				
MODE	41	42	43	44	45	46	47	48	49	50	51	52	53	54	55	56	57	58	59	60	
STOP	2.5	2.5	0	2.4	2.5	5.0	5.0	5.0	5.1	5.1	5.1	0	5.0	0	0	0	0	0	0	0	
PLAY	2.5	2.5	0	2.4	2.5	5.0	5.0	5.0	5.1	5.1	0	0	5.0	0	0	0	0	0	0	0.9	
Ref No.	IC4602																				
MODE	1	2	3	4	5	6	7	8	9	10	11	12	13	14	15	16					
STOP	1.5	2.5	0.6	0.6	2.5	0	0	0	0	0	0	0	0	0	2.5	5.0					
PLAY	1.5	2.5	1.5	2.5	2.5	0	0	0	0	0	0	1.2	0	1.2	2.5	5.0					
Ref No.	IC4603					IC4604					IC4605										
MODE	1	2	3	4	5	1	2	3	4	5	1	2	3	4	5						
STOP	1.5	1.5	0	0.8	5.0	1.5	1.5	0	0.8	5.0	0	0	0	0.8	5.0						
PLAY	1.5	1.5	0	2.5	5.0	1.5	1.5	0	2.4	5.0	0	0	0	0	5.0						
Ref No.	IC4606								IC4610												
MODE	1	2	3	4	5	6	7	8	1	2	3	4	5	6	7	8					
STOP	-0.1	0	0	-8.9	0	0	-0.1	9.0	-0.1	0	0	-8.9	0	0	-0.1	9.0					
PLAY	-0.1	0	0	-8.9	0.1	0	-0.1	9.0	-0.1	0	0	-8.9	0	0	-0.1	9.0					
Ref No.	IC4611								IC4613												
MODE	1	2	3	4	5	6	7	8	1	2	3	4	5								
STOP	-7.6	1.2	0	-8.9	0	1.2	-7.6	9.0	0	3.1	0	2.3	5.0								
PLAY	-7.6	1.6	0	-8.9	0	1.6	-7.6	9.0	0	3.1	0.0	2.3	5.0								
Ref No.	IC4612																				
MODE	1	2	3	4	5	6	7	8	9	10	11	12	13	14							
STOP	2.4	5.0	1.5	2.5	0.5	2.4	0	0	0	0	0	0	0	5.0							
PLAY	2.4	5.0	1.5	2.5	1.5	2.4	0	0	1.2	0	0	0	0	5.0							
Ref No.	IC4701								IC4751												
MODE	1	2	3	4	5	6	7	8	1	2	3	4	5	6	7	8					
STOP	0	0	0	-8.9	0	0	0	9.0	2.4	2.5	2.4	0	2.5	2.4	2.5	5.0					
PLAY	0	0	0	-8.9	0	0	0	9.0	2.4	2.5	2.4	0	2.5	2.4	2.5	5.0					
Ref No.	IC4781					IC4901															
MODE	1	2	3			1	2	3	4	5											
STOP	0	2.5	5.0			11.0	3.3	9.0	2.1	0											
PLAY	0	2.5	5.0			11.0	3.3	9.0	2.2	0											

VOLTAGE CHART

Ref No.	IC6001																			
MODE	1	2	3	4	5	6	7	8	9	10	11	12	13	14	15	16	17	18	19	20
STOP	5.1	5.1	5.1	5.1	2.5	2.4	0	2.5	2.7	0	0	0	5.1	5.1	-31.4	1.5	-18.0	-28.8	-28.8	-28.8
PLAY	5.1	2.9	5.1	5.1	2.5	2.4	0	2.6	2.7	0	0	0	5.1	5.1	-29.5	2.0	-10.1	-24.6	-21.7	-27.0
Ref No.	IC6001																			
MODE	21	22	23	24	25	26	27	28	29	30	31	32	33	34	35	36	37	38	39	40
STOP	-16.2	-21.1	-21.4	2.2	2.2	2.4	2.4	-28.5	-28.4	2.4	2.4	-28.8	2.4	-28.8	-28.8	-28.8	-28.8	-28.8	-28.7	-21.4
PLAY	-17.5	-14.5	-21.8	2.8	2.9	-14.5	2.8	-24.3	-26.6	2.8	2.9	3.0	-27.0	-27.0	-26.9	2.9	-26.9	-26.9	2.9	-19.8
Ref No.	IC6001																			
MODE	41	42	43	44	45	46	47	48	49	50	51	52	53	54	55	56	57	58	59	60
STOP	-21.8	2.4	-22.8	-23.0	1.6	1.5	3.7	2.5	5.1	0	2.6	2.6	2.5	2.6	0	5.1	5.1	0	5.1	5.1
PLAY	-20.1	-20.2	-21.2	-21.3	2.1	2.1	3.6	2.5	5.1	0	3.1	2.8	3.1	2.9	0	5.1	5.1	0	5.1	5.1
Ref No.	IC6001																			
MODE	61	62	63	64	65	66	67	68	69	70	71	72	73	74	75	76	77	78	79	80
STOP	5.1	4.4	4.0	3.0	5.1	0	5.1	0	0	0	0	2.3	2.5	2.5	0	5.0	0	0	0.1	5.1
PLAY	5.1	4.5	4.2	3.0	5.1	0	3.1	0	0	0	0	2.3	2.9	2.9	0	5.1	0	0	0.1	5.1
Ref No.	IC6001					IC6002					IC6003					IC6004				
MODE	81	82	83	84		1	2	3		1	2	3		1	2	3	4	5		
STOP	5.1	5.1	5.1	5.1		5.1	0	5.1		5.1	0	5.1		2.7	2.7	0	4.4	5.1		
PLAY	5.1	5.1	5.1	5.1		5.1	0	5.1		5.1	0	5.1		2.7	2.7	0	4.5	5.1		
Ref No.	IC6005																			
MODE	1	2	3	4	5															
STOP	2.5	2.5	0	4.0	5.1															
PLAY	2.5	2.5	0	4.0	5.1															

Ref No.	Q3501			Q3502			Q3503			Q3511			Q3512		
MODE	E	C	B		E	C	B		E	C	B		E	C	B
STOP	1.7	0	1.0		1.1	4.9	1.7		1.7	0	1.0		3.1	0	2.5
PLAY	1.9	0	1.3		1.3	4.9	1.9		1.9	0	1.2		3.1	0	2.5
Ref No.	Q3513			Q3551			Q3561			Q3571			Q3601		
MODE	E	C	B		E	C	B		E	C	B		E	C	B
STOP	1.8	0	1.2		0.3	4.9	0.9		0.9	4.9	1.5		0.9	4.9	1.5
PLAY	1.8	0	1.2		0	4.9	1.1		0.9	4.9	1.5		0.9	4.9	1.5
Ref No.	Q3602			Q3603			Q4301			Q4302			Q4303		
MODE	E	C	B		E	C	B		E	C	B		E	C	B
STOP	1.5	4.9	2.2		3.2	0	2.5		0	0	-1.6		0	8.9	0.0
PLAY	1.5	4.9	2.2		3.2	0	2.5		0	0	-1.4		0	8.9	0.0
Ref No.	Q4311			Q4312			Q4313			Q4381			Q4401		
MODE	E	C	B		E	C	B		E	C	B		S	G	D
STOP	0	0	-2.1		0	8.9	0		0	8.9	0		0	8.9	0
PLAY	0	0	-1.4		0	8.9	0		0	8.9	0		0	8.9	0
Ref No.	Q4411			Q4421			Q4431			Q4501			Q4502		
MODE	E	C	B		E	C	B		E	C	B		E	C	B
STOP	-0.9	9.0	-0.2		-0.9	9.0	-0.2		-0.9	9.0	-0.2		0	0	0.7
PLAY	-0.9	9.0	-0.2		-0.9	9.0	-0.2		-0.9	9.0	-0.2		0	0	-4.9
Ref No.	Q4505			Q4511			Q4512			Q4515			Q4521		
MODE	E	C	B		E	C	B		E	C	B		E	C	B
STOP	0	0	0.7		0	0	0.7		0	0	0.7		0	0	0.7
PLAY	0	0	0.7		0	0	-4.9		0	0	0.7		0	0	-4.9
Ref No.	Q4531			Q4541			Q4551			Q4561			Q4562		
MODE	E	C	B		E	C	B		E	C	B		E	C	B
STOP	0	0	0.7		0	0	0.7		0	0	0.7		0	0	0.7
PLAY	0	0	-4.9		0	0	-4.9		0	0	-4.9		0	0	-4.9
Ref No.	Q4571			Q4572			Q4601			Q4602			Q4901		
MODE	E	C	B		E	C	B		E	C	B		E	C	B
STOP	0	0	0.7		0	0	0.7		0	0	0.6		0	4.8	0
PLAY	0	0	-4.9		0	0	0.7		0	0	0.6		0	4.8	0
Ref No.	Q4911			Q4912			Q4913			Q4921			Q4931		
MODE	E	C	B		E	C	B		E	C	B		S	G	D
STOP	-9.0	-12.0	-9.6		0	-9.6	-0.7		-9.6	-9.6	-8.9		9.0	8.9	9.0
PLAY	-9.0	-12.3	-9.6		0	-9.6	-0.7		-9.7	-9.6	-8.9		9.0	8.9	9.0
Ref No.	Q6009														
MODE	E	C	B												
STOP	-22.3	-22.3	-21.6												
PLAY	-20.1	-20.6	-19.9												

Ref No.	QR3521			QR3523			QR3524			QR3601			QR4381		
MODE	E	C	B		E	C	B		E	C	B		E	C	B
STOP	0	0	3.2		0	0	3.2		0	0	3.2		0	9.0	0
PLAY	0	0	3.2		0	0	3.2		0	0	3.2		0	9.0	0
Ref No.	QR4591			QR4592			QR4593			QR4594			QR4595		
MODE	E	C	B		E	C	B		E	C	B		E	C	B
STOP	0	5.1	0.7		5.1	-3.0	5.1		0	2.1	-2.9		2.2	1.8	0
PLAY	0	2.7	3.1		4.6	4.5	3.2		0	0.1	4.5		0.1	1.1	0
Ref No.	QR6001			QR6002			QR6003			QR6004			QR6008		
MODE	E	C	B		E	C	B		E	C	B		E	C	B
STOP	4.9	-0.2	4.9		4.9	0.0	4.8		4.9	0	4.9		0	3.2	0
PLAY	4.9	-1.6	4.9		4.9	-1.2	4.9		4.9	0	4.9		0	3.2	0

DVF-5020

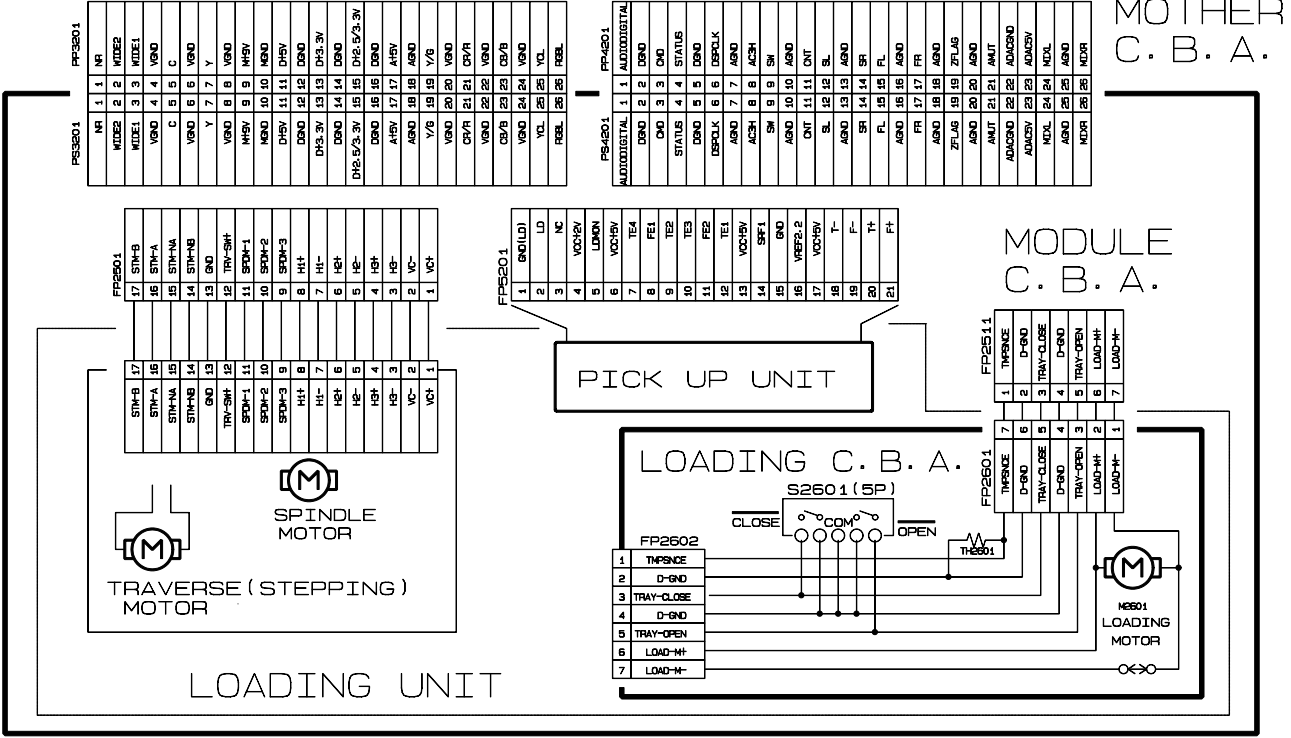
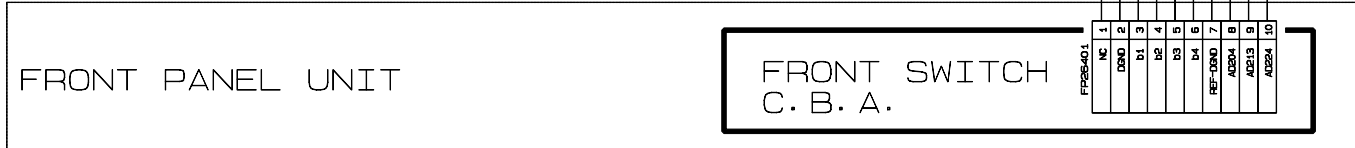
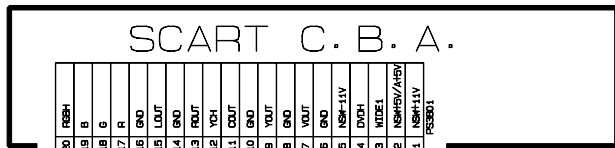
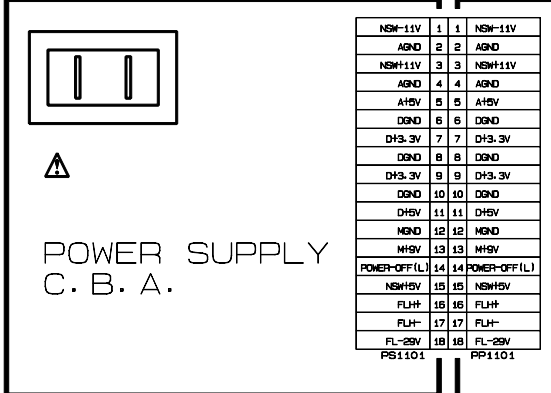
VOLTAGE CHART

5-4 SCART C.B.A.

Ref No.	IC3801						IC3811												
MODE	1	2	3	1	2	3	4	5	6	7	8								
STOP	0	-12.4	-5.0	0	0	-5.0	0	0	0	0	5.1								
PLAY	0	-12.7	-5.0	0	0	-5.0	0	0	0	0	5.1								
Ref No.	IC3812																		
MODE	1	2	3	4	5	6	7	8	9	10	11	12	13	14	15	16			
STOP	0	0	0	0	0	0	-5.0	0	0	0	0	0	0	0	0	5.1			
PLAY	0	0	0	0	0	0	-5.0	0	0	0	0	0	0	0	0	5.1			
Ref No.	IC3813																		
MODE	1	2	3	4	5	6	7	8	9	10	11	12	13	14	15	16			
STOP	0	0	0	0	0	0	-5.0	0	0	0	0	0	0	0	0	5.0			
PLAY	0	0	0	0	0	0	-5.0	0	0	0	0	0	0	0	0	5.0			
Ref No.	IC3821																		
MODE	1	2	3	4	5	6	7	8	9	10	11	12	13	14	15	16			
STOP	0	0	0	0	0	0	-5.0	0	0	0	0	0	0	0	0	5.1			
PLAY	0	0	0	0	0	0	-5.0	0	0	0	0	0	0	0	0	5.1			
Ref No.	IC3822																		
MODE	1	2	3	4	5	6	7	8	9	10	11	12	13	14	15	16			
STOP	0	0	1.2	0	0	0	-5.0	0	0	0	0	0	0	0	0	5.1			
PLAY	0	0	1.2	0	0	0	-5.0	0	0	0	0	0	0	0	0	5.1			
Ref No.	IC3831																		
MODE	1	2	3	4	5	6	7	8											
STOP	2.1	0	2.1	2.1	2.1	2.1	5.1	2.1											
PLAY	2.3	0	2.5	2.6	2.6	2.5	5.1	2.4											
Ref No.	IC3841																		
MODE	1	2	3	4	5	6	7	8	9	10	11	12	13	14	15	16			
STOP	3.8	0.7	0	0.7	0	0	0	0	2.8	0	0	0	3.0	2.8	3.0	5.1			
PLAY	3.8	0.7	0	0.7	0	0	0.7	0	2.8	3.0	0	2.8	3.0	2.8	3.0	5.1			

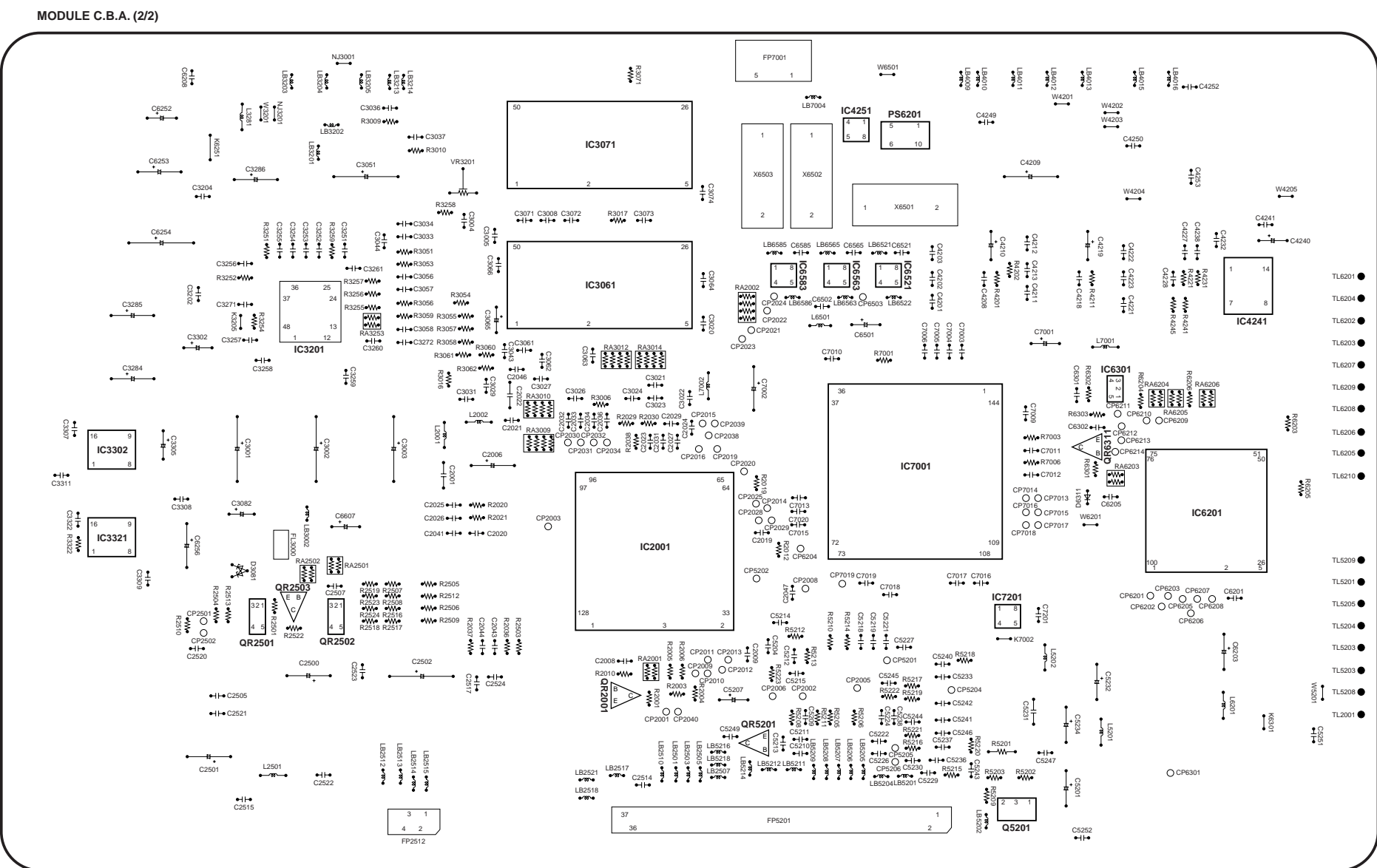
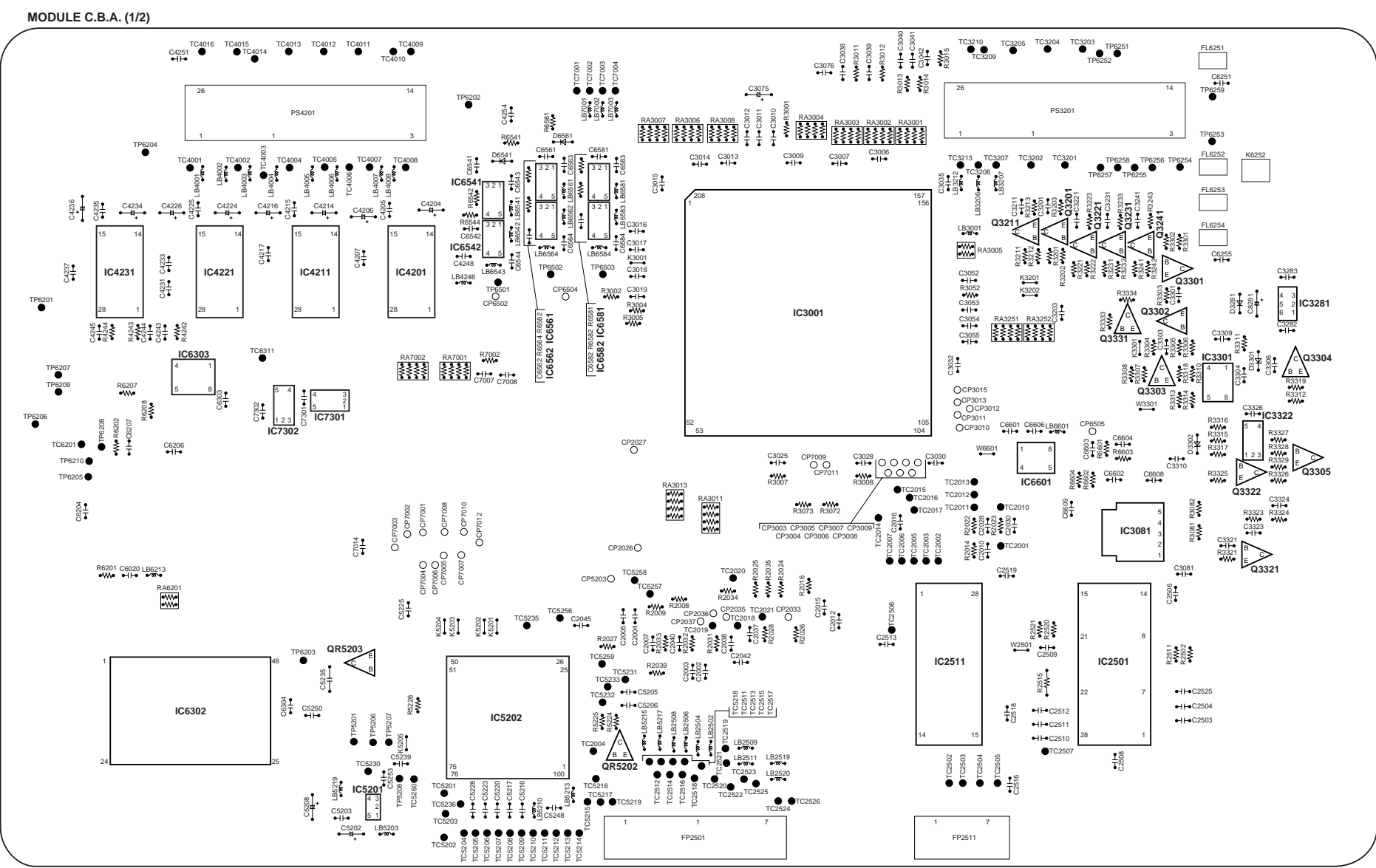
Ref No.	Q3851			Q3852						Q3853											
MODE	E	C	B	1	2	3	4	5	6	1	2	3	4	5	6						
STOP	13.1	0	13.1	0	0	0	0	0.1	0	0	0	0	0	0	5.0	0					
PLAY	13.4	0	13.4	0	0	-0.1	0	0.7	0	0	0	0	0	0	5.0	0					
Ref No.	Q3861			Q3862						Q3863			Q3864								
MODE	E	C	B	1	2	3	4	5	6	E	C	B	E	C	B						
STOP	0.2	0	0	11.1	11.1	11.1	0	10.4	11.1	0.1	0.1	0.1	11.7	13.1	11.7						
PLAY	0.2	0	0	11.1	11.1	11.1	0	10.4	11.1	0.1	0.1	0.1	11.1	13.4	11.7						
Ref No.	QR3841			QR3842			QR3843			QR3851											
MODE	1	2	3	4	5	E	C	B	1	2	3	4	5	E	C	B					
STOP	4.6	4.6	0	0	0	0	0	4.6	3.8	3.8	0	0	0	0	5.0	0					
PLAY	4.6	4.6	0	0	0	0	0	4.6	3.8	3.8	0	0	0	0	5.0	0					
Ref No.	QR3852					QR3853					QR3861										
MODE	1	2	3	4	5	1	2	3	4	5	E	C	B								
STOP	13.1	0	5.0	0	0	5.0	4.9	0	5.0	0	0	5.0	0								
PLAY	13.3	0	5.0	0	0	5.0	4.9	0	5.0	0	0	5.0	0								
Ref No.	QR3862					QR3863															
MODE	1	2	3	4	5	1	2	3	4	5											
STOP	0	11.1	0	0	5.0	0	0.1	0	0	5.0											
PLAY	0	11.1	0	0	5.0	0	0.1	0	0	5.0											

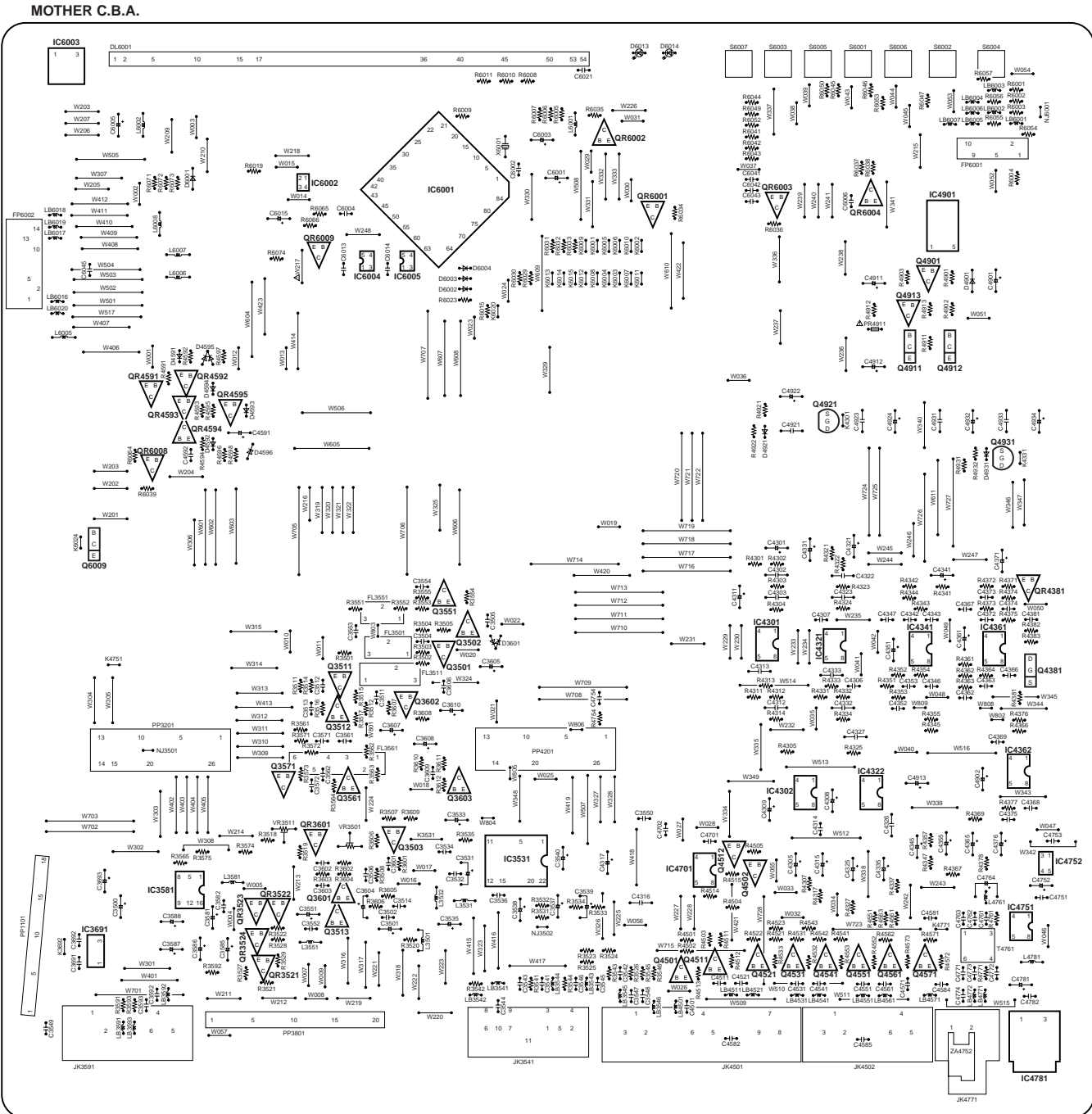
INTERCONNECTION DIAGRAM



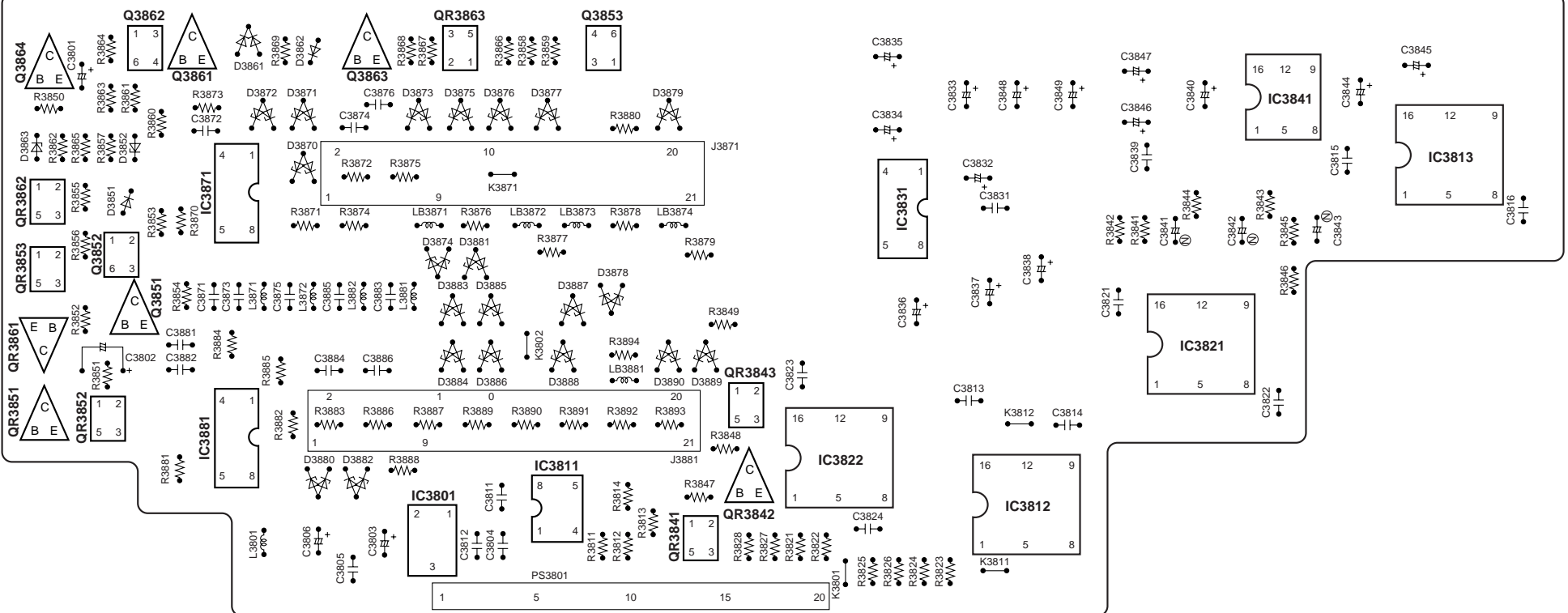
WIRING DIAGRAM

DVF-5020





SCART C.B.A.

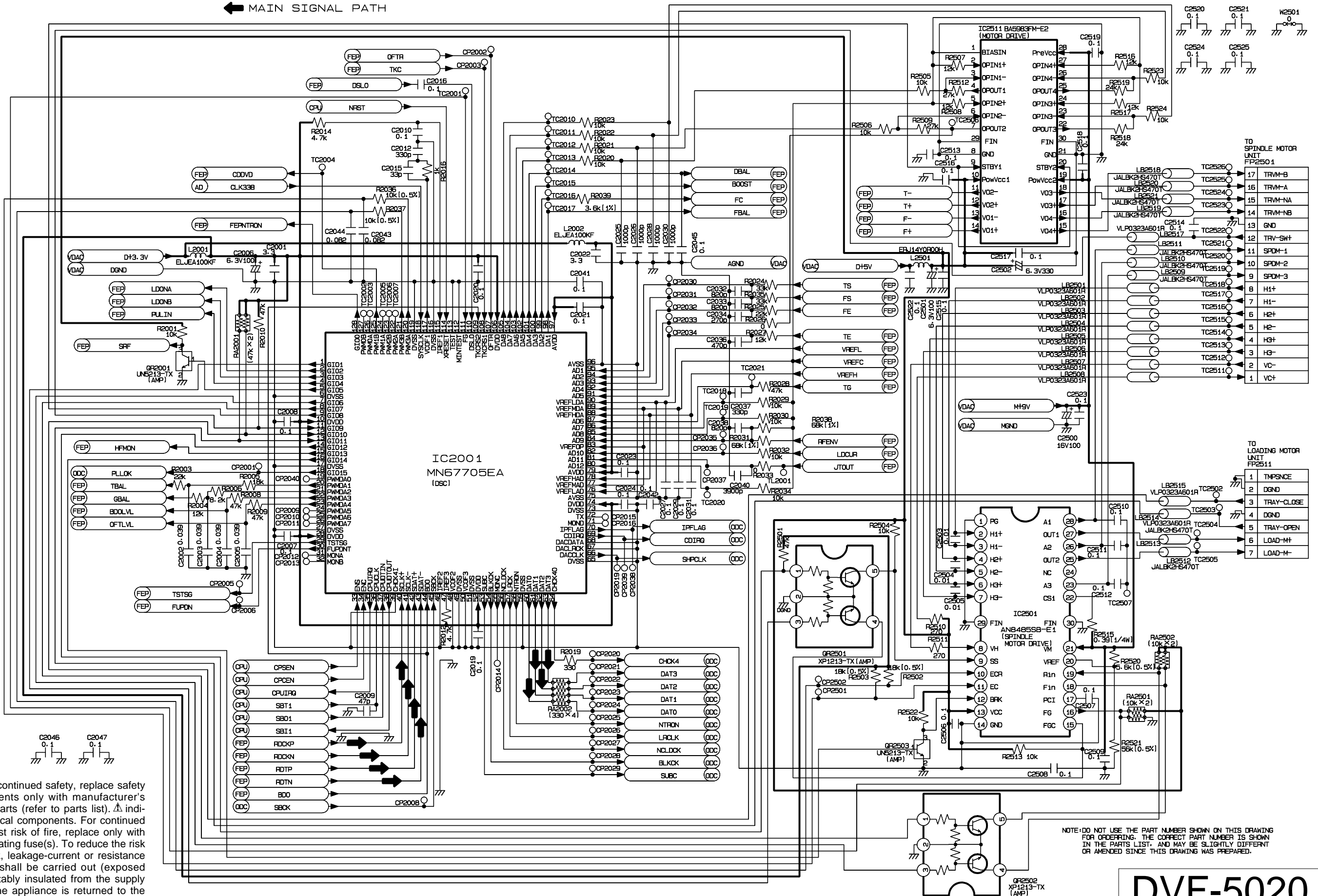


Refer to the schematic diagram for the value of resistors and capacitors.

ADSC SECTION (MODULE C.B.A. (1/7))

ADSC SECTION: (1/7), AVDEC SECTION: (2/7), VDAC SECTION: (3/7), FEP SECTION: (4/7), CPU SECTION: (5/7), AO SECTION: (6/7), ODC SECTION: (7/7)

← MAIN SIGNAL PATH



CAUTION: For continued safety, replace safety critical components only with manufacturer's recommended parts (refer to parts list). Δ indicates safety critical components. For continued protection against risk of fire, replace only with same type and rating fuse(s). To reduce the risk of electric shock, leakage-current or resistance measurements shall be carried out (exposed parts are acceptably insulated from the supply circuit) before the appliance is returned to the customer.

The DC voltage is an actual reading measured with a high impedance type voltmeter with no signal input. The measurement value may vary depending on the measuring instruments used or on the product.

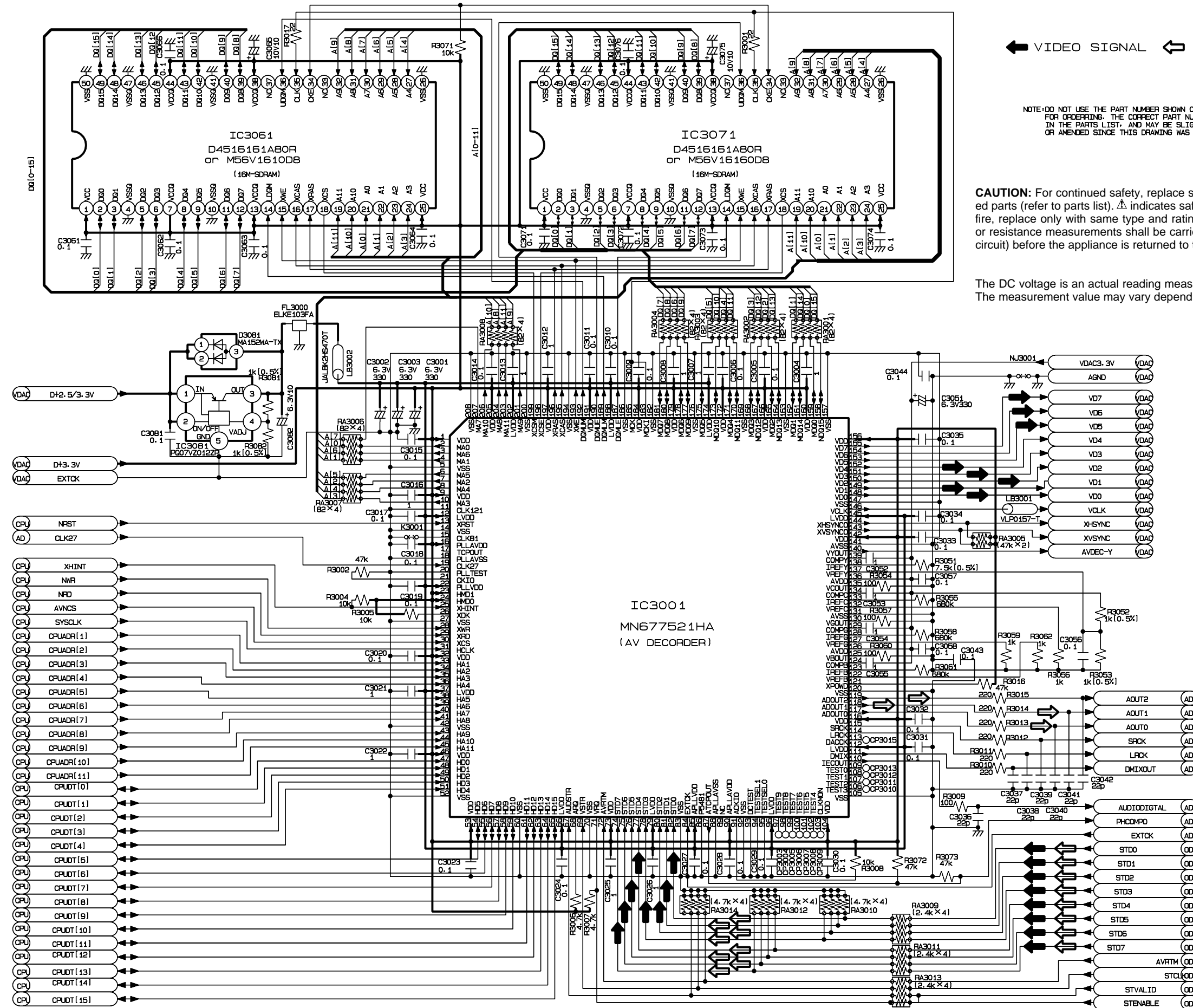
NOTE: DO NOT USE THE PART NUMBER SHOWN ON THIS DRAWING FOR ORDERING. THE CORRECT PART NUMBER IS SHOWN IN THE PARTS LIST, AND MAY BE SLIGHTLY DIFFERENT OR AMENDED SINCE THIS DRAWING WAS PREPARED.

DVF-5020
KENWOOD

Y22-8202-71

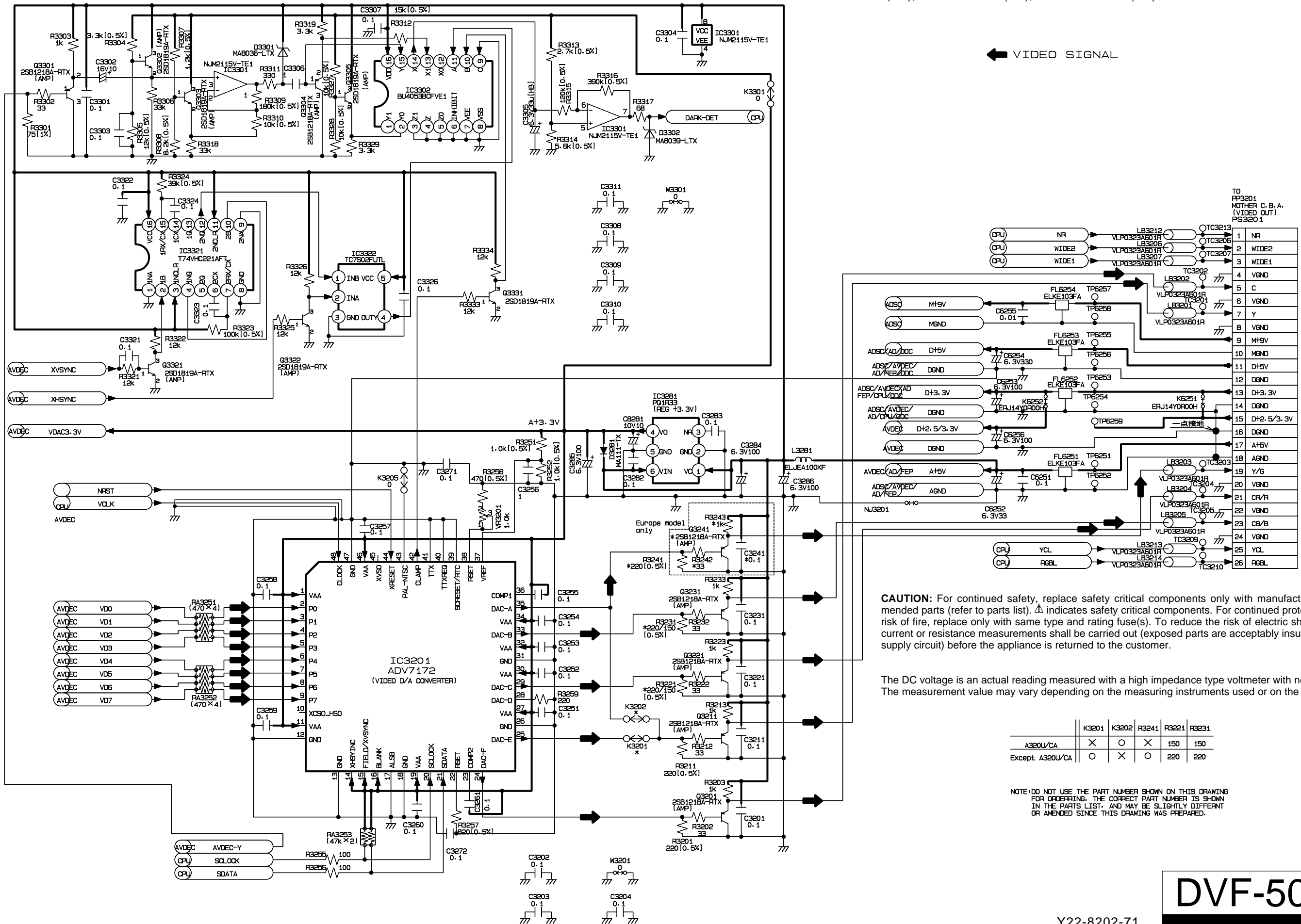
AV DEPRDR SECTION (MODULE C.B.A. (2/7))

ADSC SECTION: (1/7), AVDEC SECTION: (2/7), VDAC SECTION: (3/7), FEP SECTION: (4/7), CPU SECTION: (5/7), AO SECTION: (6/7), ODC SECTION: (7/7)



VIDEO D/A CONVERTER SECTION (MODULE C.B.A. (3/7))

ADSC SECTION: (1/7), AVDEC SECTION: (2/7), VDAC SECTION: (3/7), FEP SECTION: (4/7), CPU SECTION: (5/7), AO SECTION: (6/7), ODC SECTION: (7/7)



← VIDEO SIGNAL

CAUTION: For continued safety, replace safety critical components only with manufacturer's recommended parts (refer to parts list). ⚠ indicates safety critical components. For continued protection against risk of fire, replace only with same type and rating fuse(s). To reduce the risk of electric shock, leakage-current or resistance measurements shall be carried out (exposed parts are acceptably insulated from the supply circuit) before the appliance is returned to the customer.

The DC voltage is an actual reading measured with a high impedance type voltmeter with no signal input. The measurement value may vary depending on the measuring instruments used or on the product.

	K3201	K3202	R3241	R3221	R3231
A320U/CA	X	○	X	150	150
Except A320U/CA	○	X	○	220	220

NOTE: DO NOT USE THE PART NUMBER SHOWN ON THIS DRAWING FOR ORDERING. THE CORRECT PART NUMBER IS SHOWN IN THE PARTS LIST, AND MAY BE SLIGHTLY DIFFERENT OR AMENDED SINCE THIS DRAWING WAS PREPARED.

FEP SECTION (MODULE C.B.A. (4/7))

ADSC SECTION: (1/7), AVDEC SECTION: (2/7), VDAC SECTION: (3/7), FEP SECTION: (4/7), CPU SECTION: (5/7), AO SECTION: (6/7), ODC SECTION: (7/7)

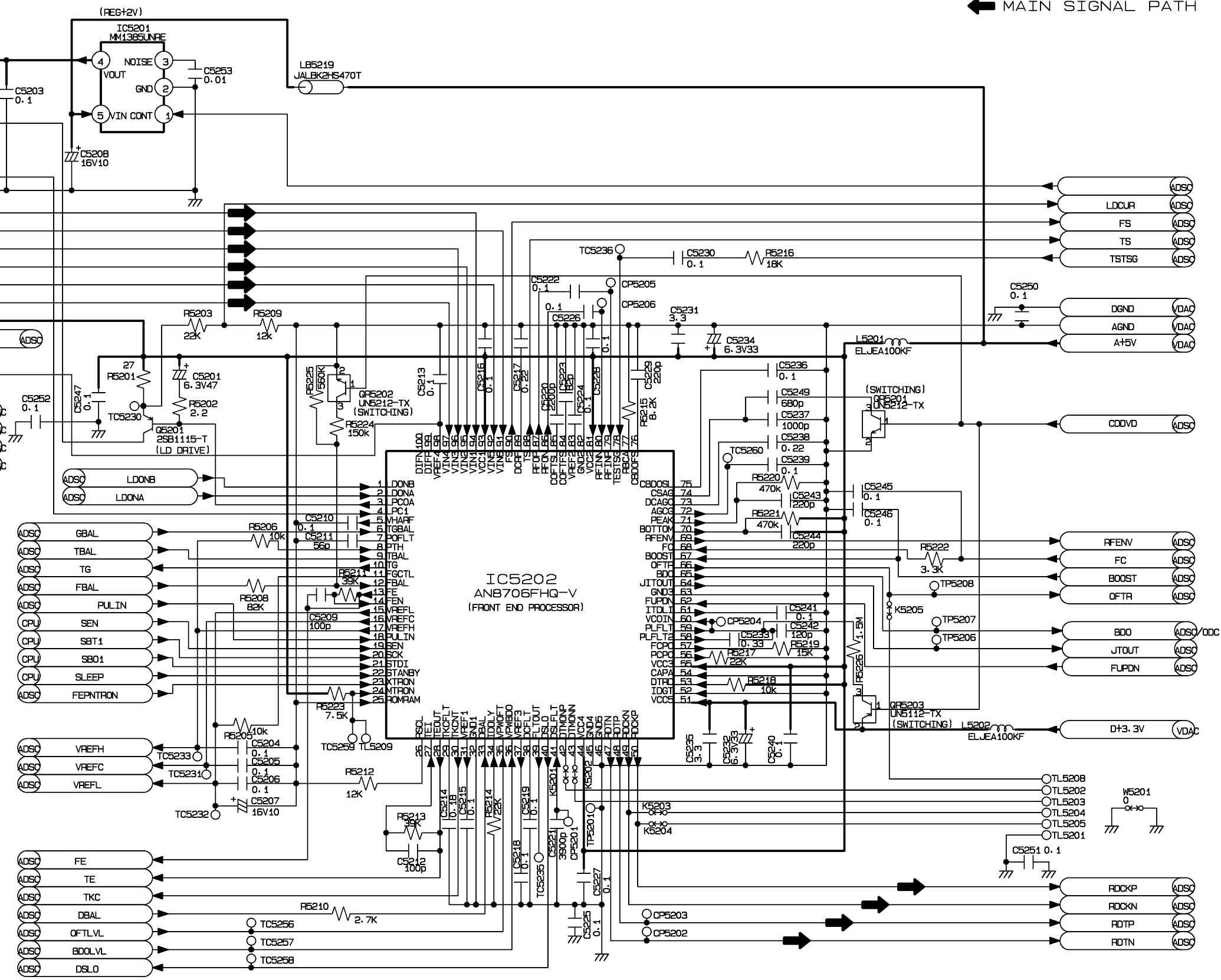
← MAIN SIGNAL PATH

TO OPTICAL PICK UP UNIT
FP5201

GND(LD)	1	TC5201	LB5201	ELJ3CEY0R00V 777
LD	2	TC5202	LB5202	VLP0323A601R
NC	3			
VCC+2V	4	TC5203	LB5203	JALBK2HS470T
LDMON	5	TC5204	LB5204	VLP0323A601R
VCC+5V	6	TC5205	LB5205	VLP0323A601R
TE4	7	TC5206	LB5206	VLP0323A601R
FE1	8	TC5207	LB5207	VLP0323A601R
TE2	9	TC5208	LB5208	VLP0323A601R
TE3	10	TC5209	LB5209	VLP0323A601R
FE2	11	TC5210	LB5210	VLP0323A601R
TE1	12	TC5211	LB5211	VLP0323A601R
VCC+5V	13	TC5212	LB5212	JALBK2HS470T
SFF1	14	TC5213	LB5213	VLP0323A601R
GND	15			
VREF2.2V	16	TC5214	LB5214	VLP0323A601R
VCC+5V	17	TC5215	LB5215	VLP0323A601R
T-	18	TC5216	LB5216	VLP0323A601R
F-	19	TC5217	LB5217	VLP0323A601R
T+	20	TC5218	LB5218	JALBK2HS470T
F+	21	TC5219	LB5219	VLP0323A601R

CAUTION: For continued safety, replace safety critical components only with manufacturer's recommended parts (refer to parts list). Δ indicates safety critical components. For continued protection against risk of fire, replace only with same type and rating fuse(s). To reduce the risk of electric shock, leakage-current or resistance measurements shall be carried out (exposed parts are acceptably insulated from the supply circuit) before the appliance is returned to the customer.

The DC voltage is an actual reading measured with a high impedance type voltmeter with no signal input. The measurement value may vary depending on the measuring instruments used or on the product.



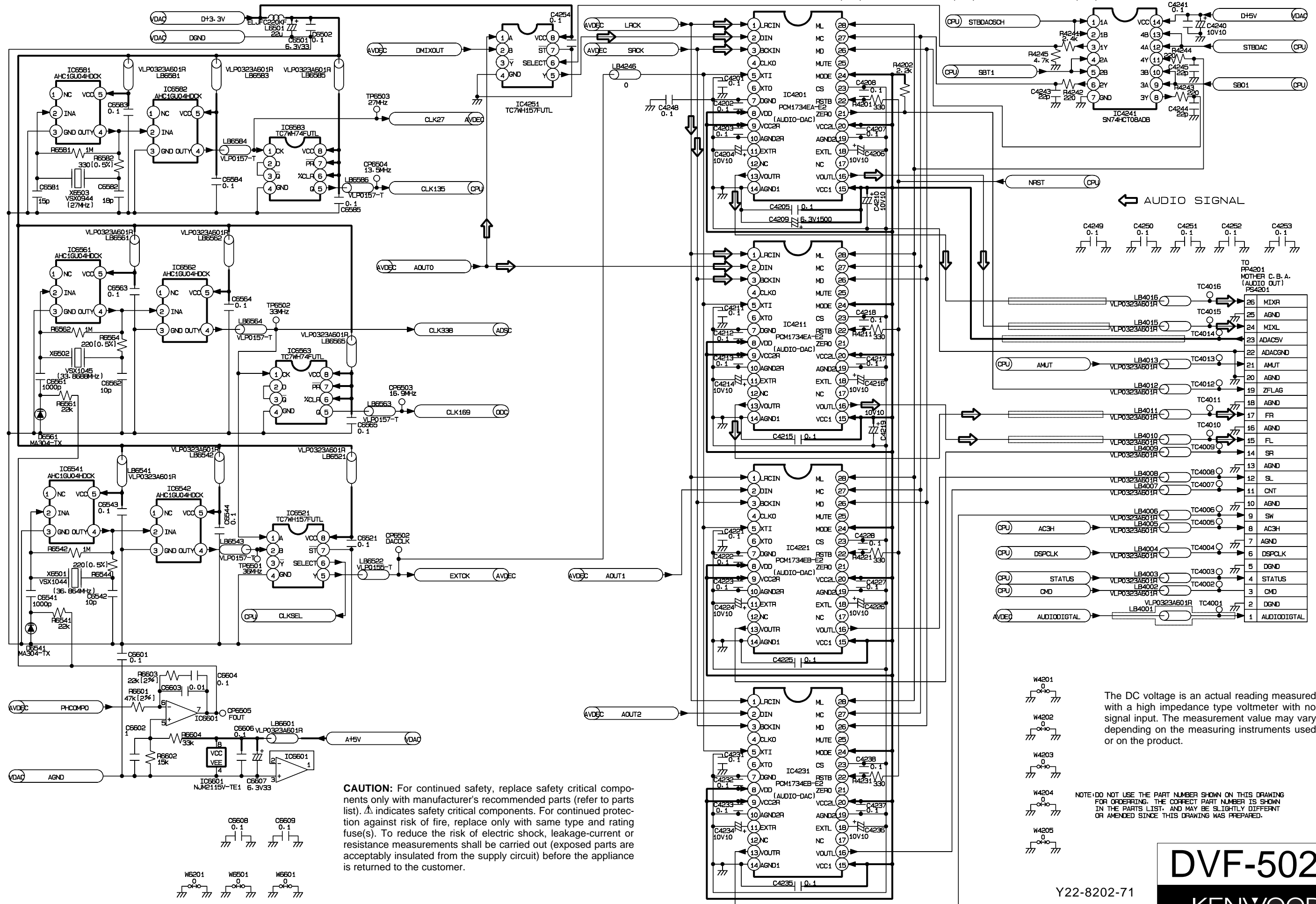
NOTE: DO NOT USE THE PART NUMBER SHOWN ON THIS DRAWING FOR ORDERING. THE CORRECT PART NUMBER IS SHOWN IN THE PARTS LIST, AND MAY BE SLIGHTLY DIFFERENT OR AMENDED SINCE THIS DRAWING WAS PREPARED.

DVF-5020
KENWOOD

Y22-8202-71

AUDIO SECTION (MODULE C.B.A. (6/7))

ADSC SECTION: (1/7), AVDEC SECTION: (2/7), VDAC SECTION: (3/7), FEP SECTION: (4/7), CPU SECTION: (5/7), AO SECTION: (6/7), ODC SECTION: (7/7)

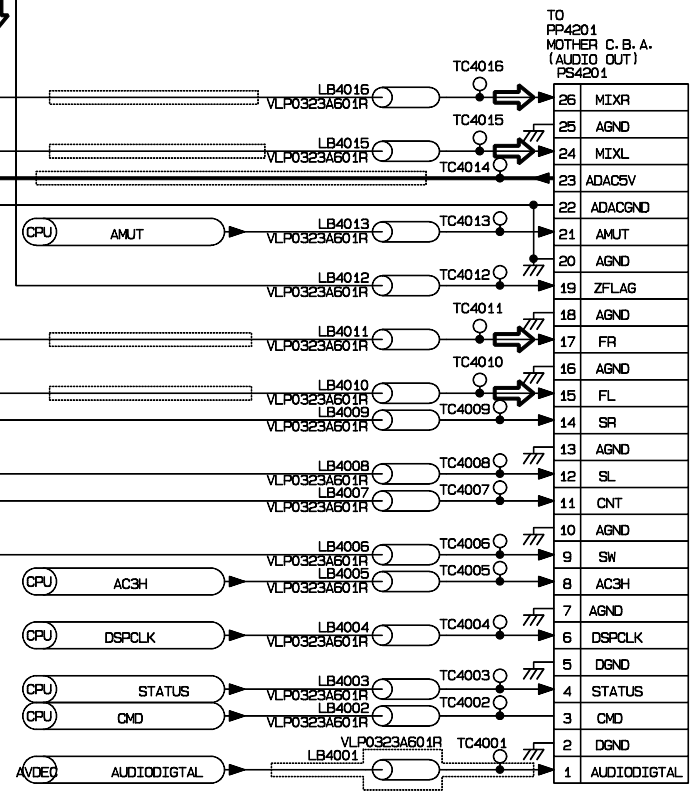
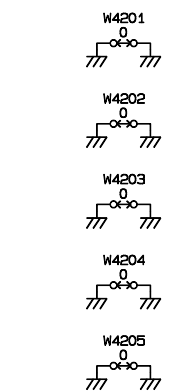


CAUTION: For continued safety, replace safety critical components only with manufacturer's recommended parts (refer to parts list). Δ indicates safety critical components. For continued protection against risk of fire, replace only with same type and rating fuse(s). To reduce the risk of electric shock, leakage-current or resistance measurements shall be carried out (exposed parts are acceptably insulated from the supply circuit) before the appliance is returned to the customer.

← AUDIO SIGNAL

The DC voltage is an actual reading measured with a high impedance type voltmeter with no signal input. The measurement value may vary depending on the measuring instruments used or on the product.

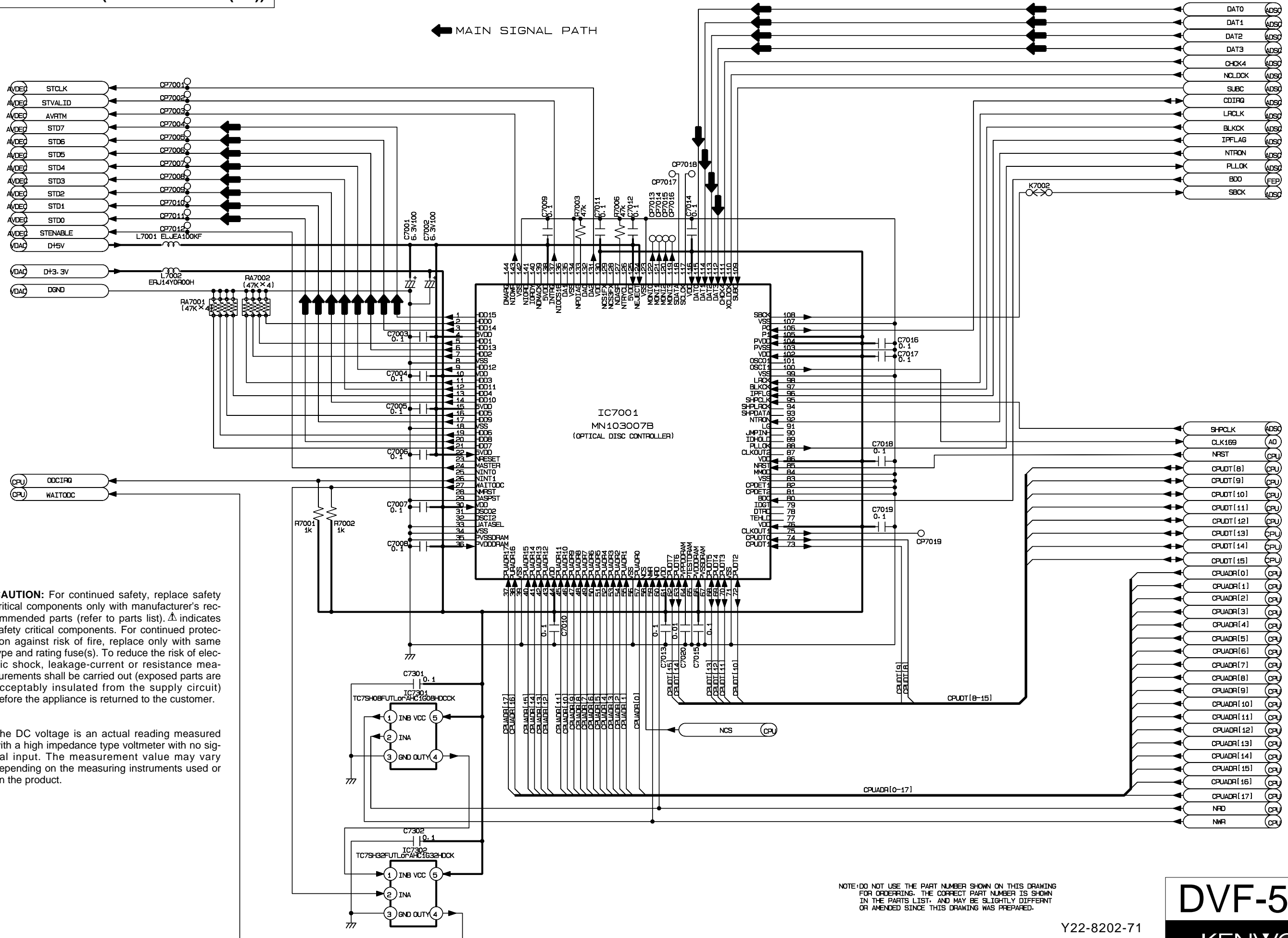
NOTE: DO NOT USE THE PART NUMBER SHOWN ON THIS DRAWING FOR ORDERING. THE CORRECT PART NUMBER IS SHOWN IN THE PARTS LIST, AND MAY BE SLIGHTLY DIFFERENT OR AMENDED SINCE THIS DRAWING WAS PREPARED.



ODC SECTION (MODULE C.B.A. (7/7))

ADSC SECTION: (1/7), AVDEC SECTION: (2/7), VDAC SECTION: (3/7), FEP SECTION: (4/7), CPU SECTION: (5/7), AO SECTION: (6/7), ODC SECTION: (7/7)

← MAIN SIGNAL PATH



CAUTION: For continued safety, replace safety critical components only with manufacturer's recommended parts (refer to parts list). ⚠ indicates safety critical components. For continued protection against risk of fire, replace only with same type and rating fuse(s). To reduce the risk of electric shock, leakage-current or resistance measurements shall be carried out (exposed parts are acceptably insulated from the supply circuit) before the appliance is returned to the customer.

The DC voltage is an actual reading measured with a high impedance type voltmeter with no signal input. The measurement value may vary depending on the measuring instruments used or on the product.

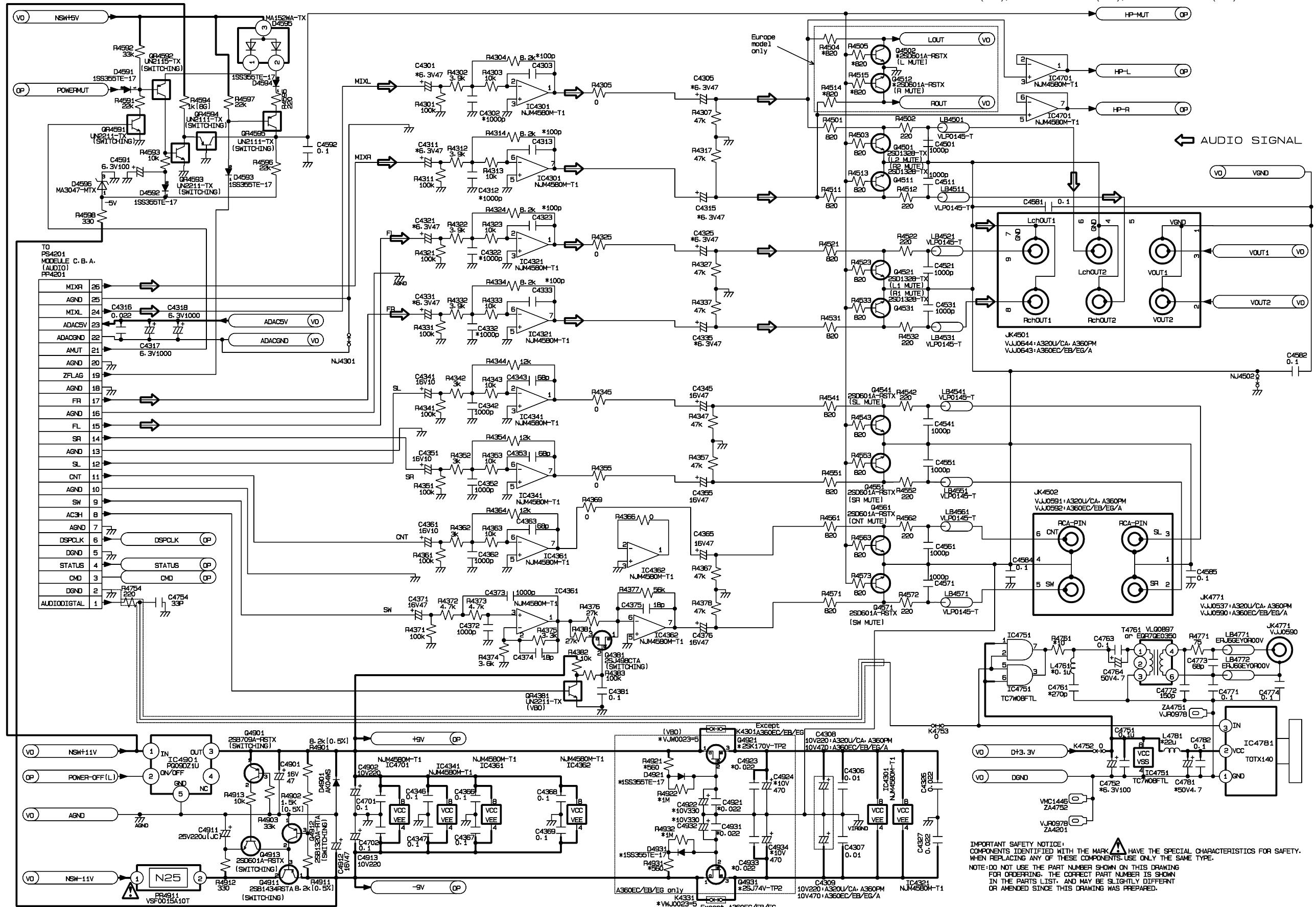
NOTE: DO NOT USE THE PART NUMBER SHOWN ON THIS DRAWING FOR ORDERING. THE CORRECT PART NUMBER IS SHOWN IN THE PARTS LIST, AND MAY BE SLIGHTLY DIFFERENT OR AMENDED SINCE THIS DRAWING WAS PREPARED.

DVF-5020
KENWOOD

Y22-8202-71

AUDIO OUT SECTION (MOTHER C.B.A. (2/3))

VO SECTION: (1/3), AO SECTION: (2/3), OP SECTION: (3/3)



CAUTION: For continued safety, replace safety critical components only with manufacturer's recommended parts (refer to parts list). Δ indicates safety critical components. For continued protection against risk of fire, replace only with same type and rating fuse(s). To reduce the risk of electric shock, leakage-current or resistance measurements shall be carried out (exposed parts are acceptably insulated from the supply circuit) before the appliance is returned to the customer.

The DC voltage is an actual reading measured with a high impedance type voltmeter with no signal input. The measurement value may vary depending on the measuring instruments used or on the product.

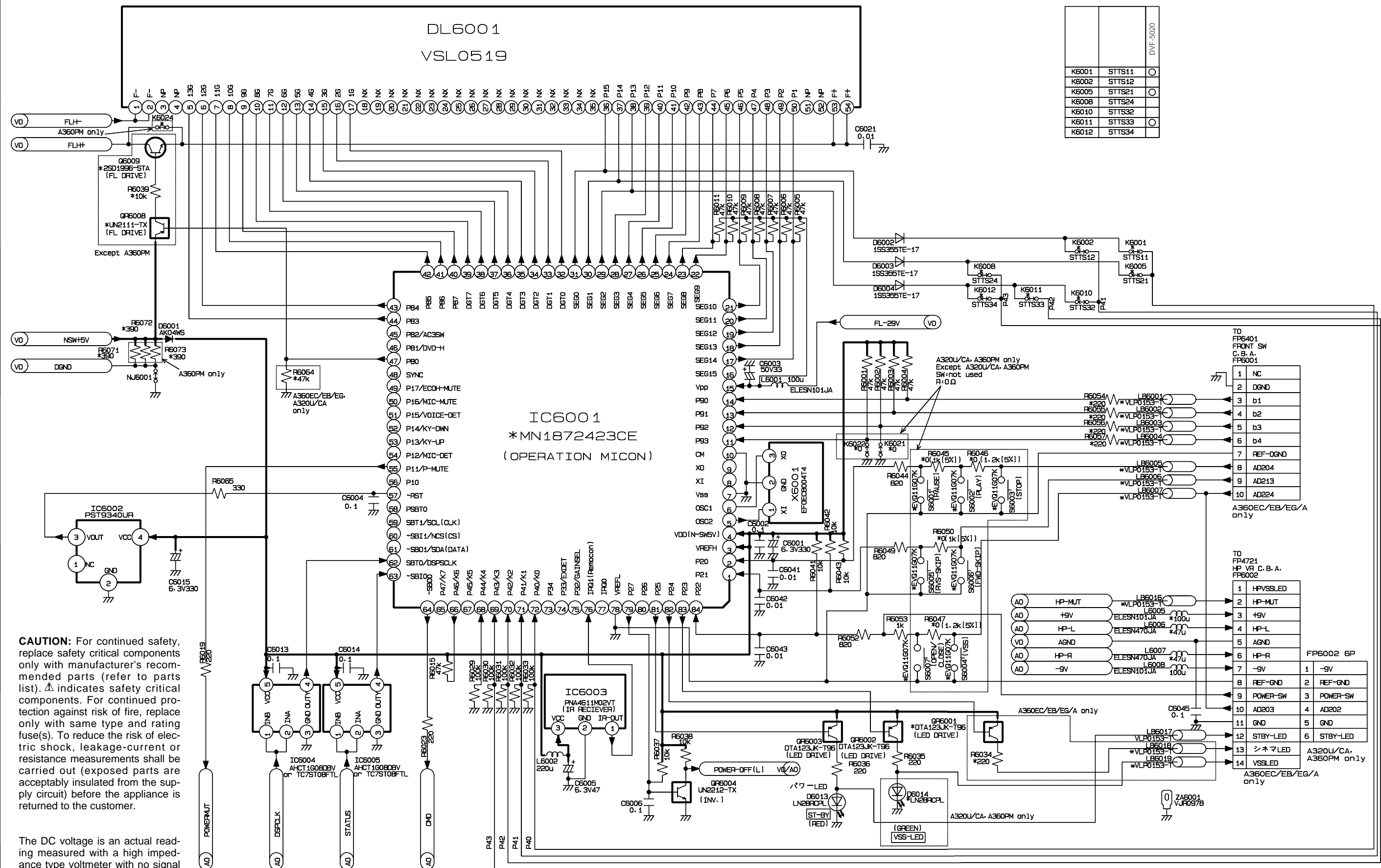
IMPORTANT SAFETY NOTICE: COMPONENTS IDENTIFIED WITH THE MARK Δ HAVE THE SPECIAL CHARACTERISTICS FOR SAFETY. WHEN REPLACING ANY OF THESE COMPONENTS, USE ONLY THE SAME TYPE. NOTE: DO NOT USE THE PART NUMBER SHOWN ON THIS DRAWING FOR ORDERING. THE CORRECT PART NUMBER IS SHOWN IN THE PARTS LIST, AND MAY BE SLIGHTLY DIFFERENT OR AMENDED SINCE THIS DRAWING WAS PREPARED.

DVF-5020
KENWOOD

Y22-8202-71

OPERATION SECTION (MOTHER C.B.A. (3/3))

VO SECTION: (1/3), AO SECTION: (2/3), OP SECTION: (3/3)



K6001	STTS11	○
K6002	STTS12	○
K6005	STTS21	○
K6008	STTS24	
K6010	STTS32	
K6011	STTS33	○
K6012	STTS34	

TO FP6401 FRONT SW C.B.A. FP6001	
1	NC
2	DGND
3	b1
4	b2
5	b3
6	b4
7	REF-DGND
8	AD204
9	AD213
10	AD224

TO FP4721 HP VR C.B.A. FP6002	
1	HPVSSLED
2	HP-MUT
3	+9V
4	HP-L
5	AGND
6	HP-R
7	-9V
8	REF-GND
9	POWER-SW
10	AD203
11	GND
12	STBY-LED
13	シナマLED
14	VSSLED

CAUTION: For continued safety, replace safety critical components only with manufacturer's recommended parts (refer to parts list). Δ indicates safety critical components. For continued protection against risk of fire, replace only with same type and rating fuse(s). To reduce the risk of electric shock, leakage-current or resistance measurements shall be carried out (exposed parts are acceptably insulated from the supply circuit) before the appliance is returned to the customer.

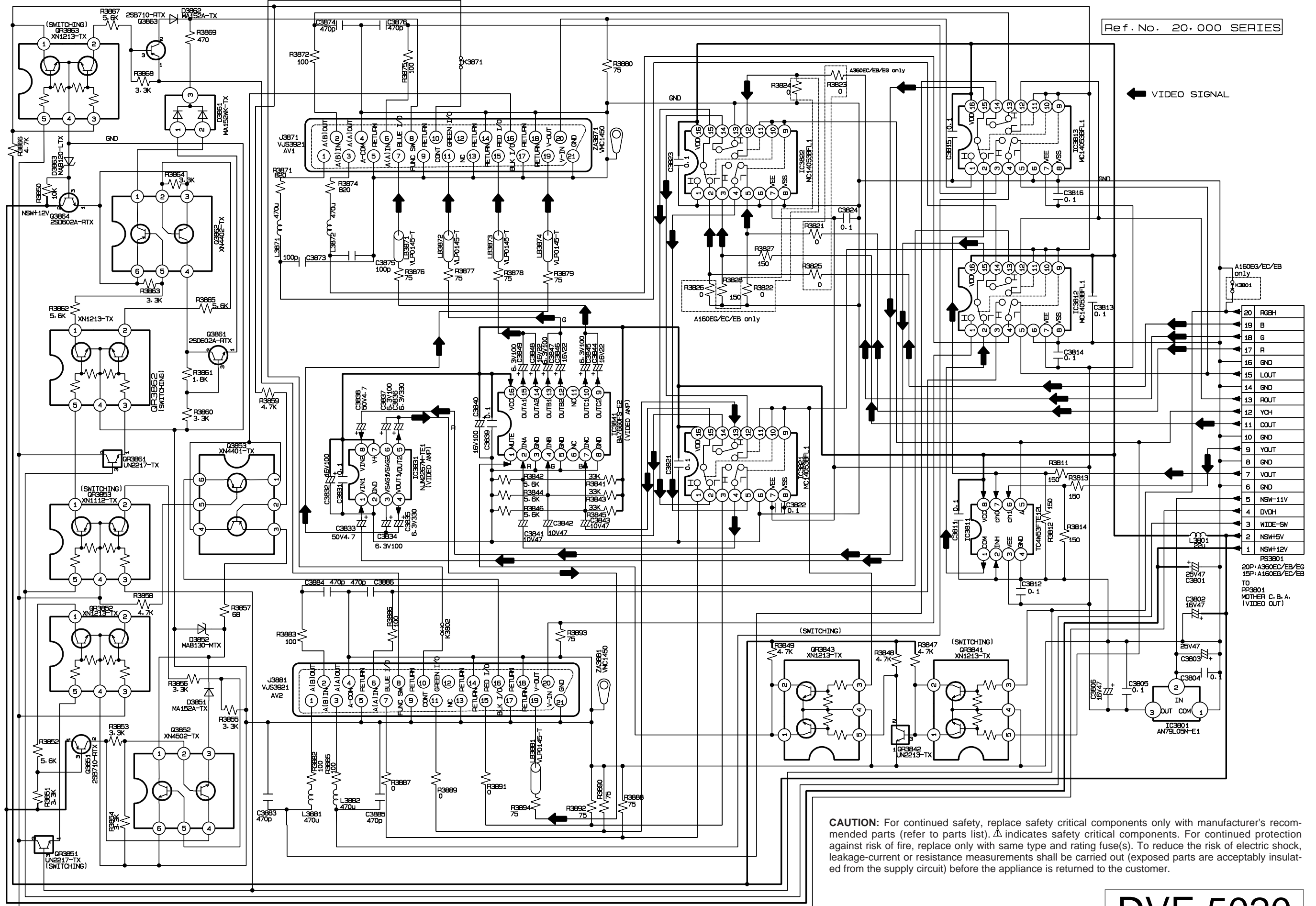
The DC voltage is an actual reading measured with a high impedance type voltmeter with no signal input. The measurement value may vary depending on the measuring instruments used or on the product.

NOTE: DO NOT USE THE PART NUMBER SHOWN ON THIS DRAWING FOR ORDERING. THE CORRECT PART NUMBER IS SHOWN IN THE PARTS LIST, AND MAY BE SLIGHTLY DIFFERENT OR AMENDED SINCE THIS DRAWING WAS PREPARED.

DVF-5020

Y22-8202-71

KENWOOD



VIDEO SIGNAL

20	RGBH
19	B
18	G
17	R
16	GND
15	LOUT
14	GND
13	ROUT
12	YCH
11	COUT
10	GND
9	YOUT
8	GND
7	VOUT
6	GND
5	NSW+11V
4	DVDH
3	WIDE-SW
2	NSW+5V
1	NSW+12V

CAUTION: For continued safety, replace safety critical components only with manufacturer's recommended parts (refer to parts list). Δ indicates safety critical components. For continued protection against risk of fire, replace only with same type and rating fuse(s). To reduce the risk of electric shock, leakage-current or resistance measurements shall be carried out (exposed parts are acceptably insulated from the supply circuit) before the appliance is returned to the customer.

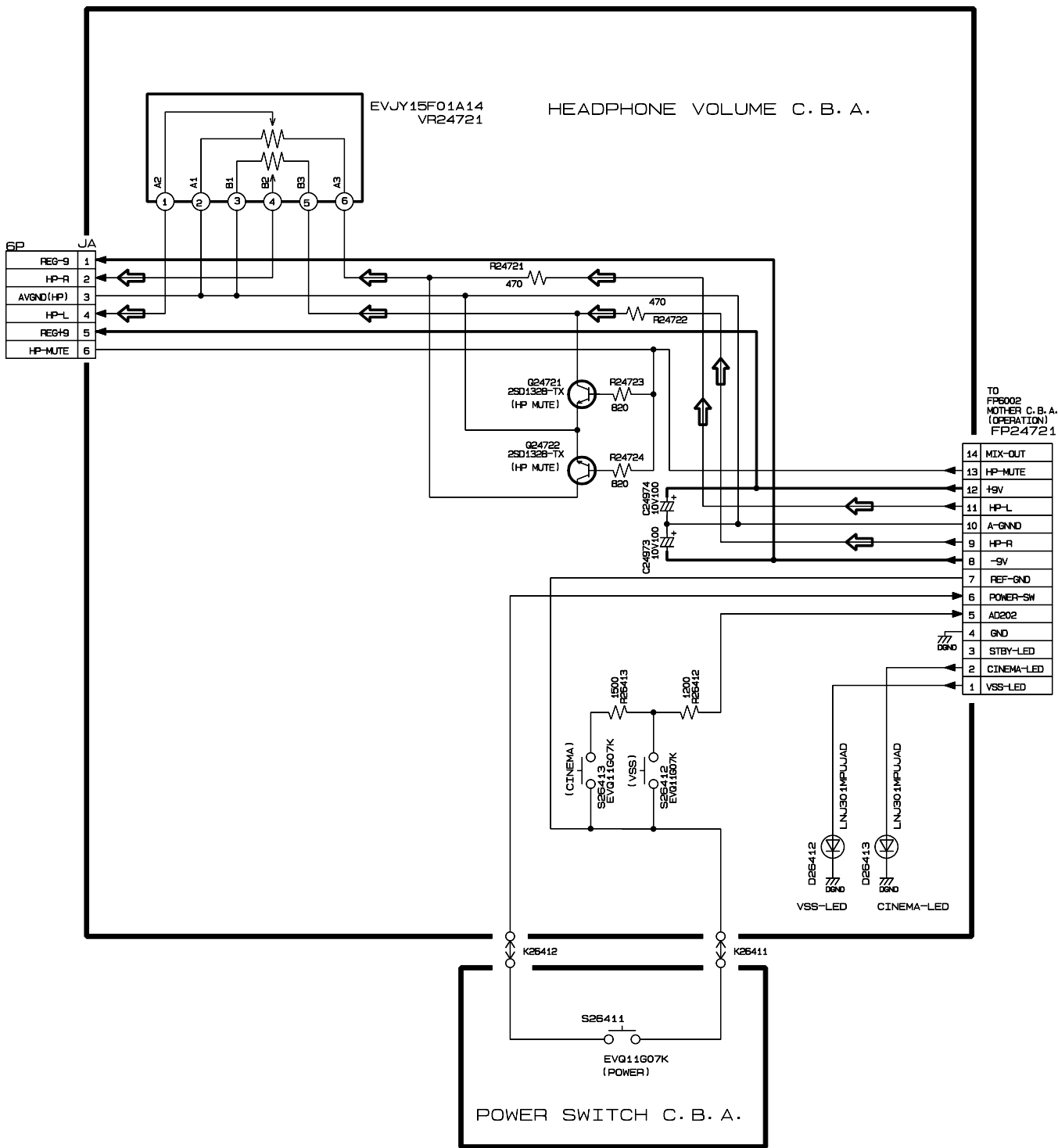
The DC voltage is an actual reading measured with a high impedance type voltmeter with no signal input. The measurement value may vary depending on the measuring instruments used or on the product.

NOTE: DO NOT USE THE PART NUMBER SHOWN ON THIS DRAWING FOR ORDERING. THE CORRECT PART NUMBER IS SHOWN IN THE PARTS LIST, AND MAY BE SLIGHTLY DIFFERENT OR AMENDED SINCE THIS DRAWING WAS PREPARED.

Y22-8202-71

DVF-5020
KENWOOD

FRONT SWITCH, HEADPHONE JACK, HEADPHONE VOLUME AND POWER SWITCH



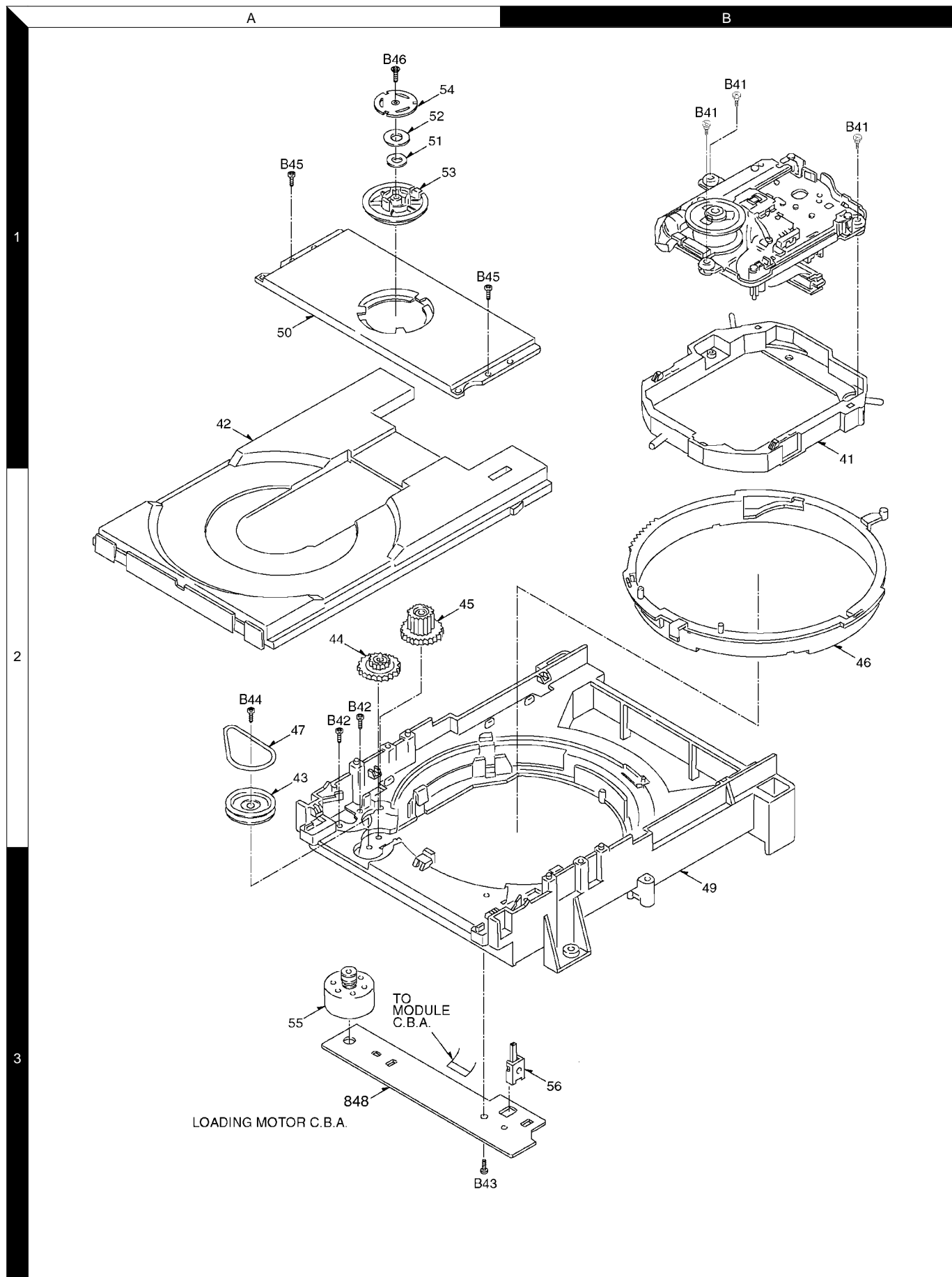
NOTE: DO NOT USE THE PART NUMBER SHOWN ON THIS DRAWING FOR ORDERING. THE CORRECT PART NUMBER IS SHOWN IN THE PARTS LIST, AND MAY BE SLIGHTLY DIFFERENT OR AMENDED SINCE THIS DRAWING WAS PREPARED.

DVF-5020

KENWOOD

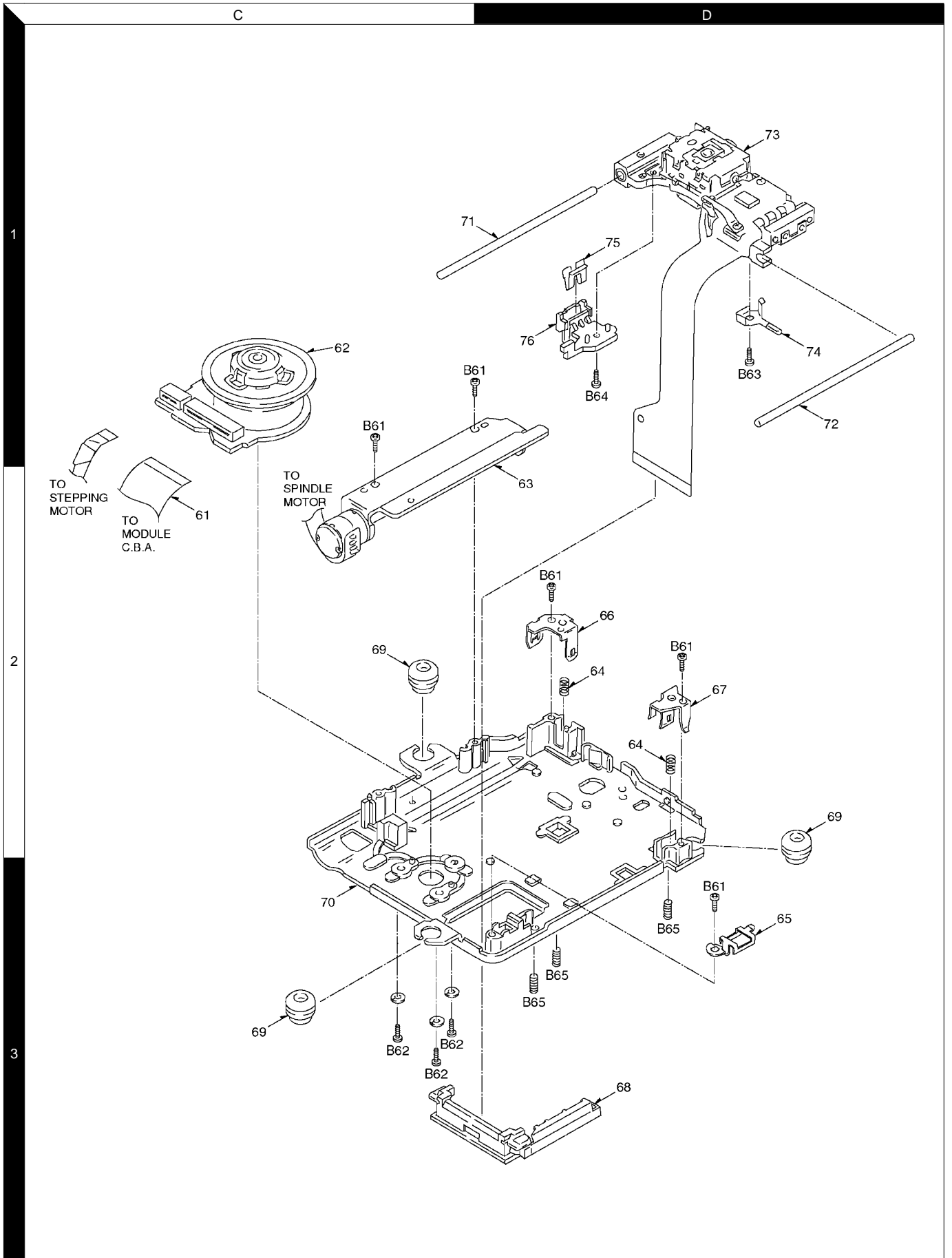
DVF-5020

EXPLODED VIEW (DVD MECHANISM)

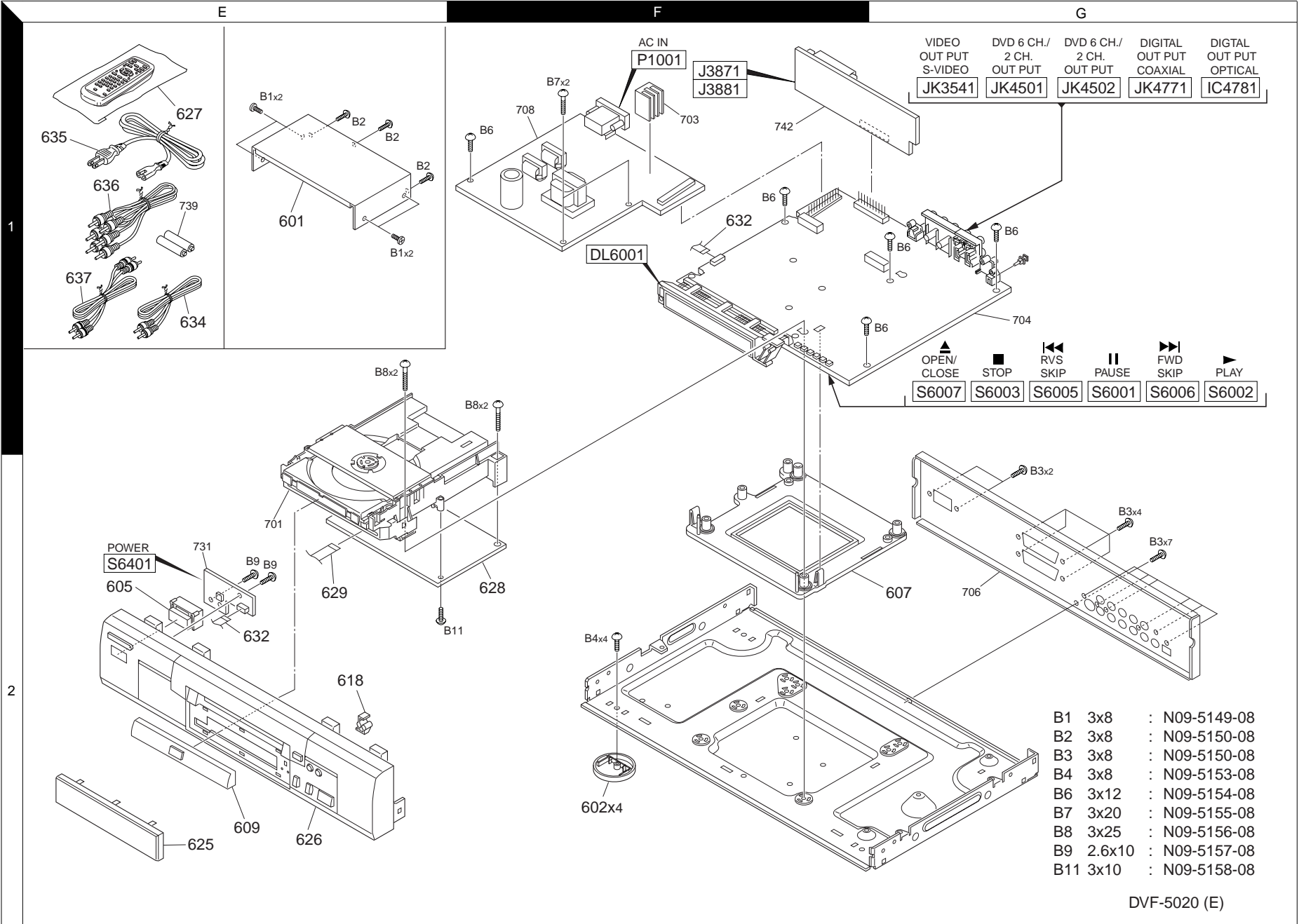


DVF-5020

EXPLODED VIEW (DVD MECHANISM)



Parts with exploded numbers larger than 700 are not supplied.



- B1 3x8 : N09-5149-08
- B2 3x8 : N09-5150-08
- B3 3x8 : N09-5150-08
- B4 3x8 : N09-5153-08
- B6 3x12 : N09-5154-08
- B7 3x20 : N09-5155-08
- B8 3x25 : N09-5156-08
- B9 2.6x10 : N09-5157-08
- B11 3x10 : N09-5158-08

DVF-5020 (E)

* New Parts

Parts without **Parts No.** are not supplied.
Les articles non mentionnés dans le **Parts No.** ne sont pas fournis.
Teile ohne **Parts No.** werden nicht geliefert.

1

Ref. No	Address	New Parts	Parts No.	Description	Destination	Remarks
DVF-5020						
601	1E	*	A01-3749-08	TOP COVER VGM1591		
602	2F	*	J02-1468-08	LEG VYK5504		
605	2E	*	K27-2399-08	POWER BUTTON VGU8219		
607	2G	*	J30-1405-08	SPACER VMD3305		
609	2E	*	A29-1093-08	TRAY TOP VYF2639		
618	2E	*	J19-6058-08	HOLDER VGL0812		
625	2E	*	B10-3573-08	FRONT COVER VKW2709		
626	2E	*	A60-1820-08	FRONT PANEL VYP7395		
627	1E	*	A70-1353-08	REMOTE CONTROLUNIT,VEQ2324		
628	2F	*	J26-0104-08	MODULE CBA VEP96561B		
629	2E	*	E35-2508-08	LOADING FFC VWJ1278		
632	2E,1F	*	E35-2509-08	6P FLEX CABLE VWJ06C9170BB		
634	1E	*	E30-2365-05	DIGITAL CORD VJA1114		
635	1E	*	E30-2946-08	AC CORD VJA0664		
636	1E	*	E30-2938-08	A/V CORD VJA1062		
637	1E	*	E30-2945-08	AUDIO CORD VJA0231-C		
-	-	*	B60-4415-08	OPERATING INSTRUCT,VQT8221		
-	-	*	B60-4416-08	OPERATING INSTRUCT,VQT8222		
-	-	*	H09-0133-08	ACCESSORY CASE,VPK1891Z		
-	-	*	H10-7642-08	CUSHION(L) VPN5241		
-	-	*	H10-7643-08	CUSHION(R) VPN5242		
-	-	*	H25-1666-08	POLYETHYLENE BAG,VPF0693		
-	-	*	H50-3503-08	PACKING CASE VPG0A51		
B1	1E	*	N09-5149-08	SCREW VHD1041		
B2	1E	*	N09-5150-08	SCREW VHD0690		
B3	2G	*	N09-5150-08	SCREW VHD0690		
B4	2F	*	N09-5153-08	SCREW XTV3+8G		
B6	1F,1G	*	N09-5154-08	SCREW XYE3+EF12		
B7	1F	*	N09-5155-08	SCREW XTE3+EF20		
B8	1F	*	N09-5156-08	SCREW XYE3+EF25		
B9	2E	*	N09-5157-08	SCREW XTBS26+10J		
B11	2F	*	N09-5158-08	SCREW XTV3+10G		
ELECTRIC PARTS						
△ C1003		*	C90-3913-08	MF-C 0.01UF	J	
△ C1005		*	C90-3914-08	CERAMIC 470PF	J	
△ C1008		*	C90-3914-08	CERAMIC 470PF	J	
△ C1010		*	C90-3920-08	CERAMIC 1000P	J	
△ C1011		*	C90-3913-08	MF-C 0.01UF	J	
△ C1018		*	C90-3921-08	ELECTRO 68UF	400WV	
C1021		*	CK45FB2H103K	CERAMIC 0.010UF	K	
C1022		*	C90-3871-08	CHIP C 120PF	J	
C1031		*	CE04KW1V470M	ELECTRO 47UF	35WV	
C1041		*	CQ93FMG1H103J	MYLAR 0.010UF	J	
C1052		*	CK45FB1H102K	CERAMIC 1000PF	K	
C1053		*	CE04KW0J331M	ELECTRO 330UF	6.3WV	
C1101		*	CQ93FMG1H104J	MYLAR 0.10UF	J	
C1111,12		*	C90-3872-08	ELECTRO 1800UF	10WV	
C1114		*	CE04KW1A222M	ELECTRO 2200UF	10WV	
C1115		*	C90-3873-08	CHIP C 0.01UF	Z	
C1116,17		*	CE04KW1A221M	ELECTRO 220UF	10WV	
C1121		*	CE04KW0J102M	ELECTRO 1000UF	6.3WV	
C1131		*	C90-3874-08	ELECTRO 150UF	35WV	
C1133		*	CE04KW1E330M	ELECTRO 33UF	25WV	

L : Scandinavia K : USA P : Canada R : Mexico C : China I : Malaysia
Y : PX(Far East,Hawaii) T : England E : Europe G : Germany V : China(Shanghai)
Y : AAFES(Europe) X : Australia Q : Russia H : Korea M : Other Areas △ indicates safety critical components.

* New Parts

Parts without **Parts No.** are not supplied.
Les articles non mentionnés dans le **Parts No.** ne sont pas fournis.
Teile ohne **Parts No.** werden nicht geliefert.

2

Ref. No	Address	New Parts	Parts No.	Description	Destination	Remarks
C1141		*	C90-3874-08	ELECTRO 150UF	35WV	
C1143		*	CE04KW1E330M	ELECTRO 33UF	25WV	
C1151		*	C90-3922-08	ELECTRO 390UF	25WV	
C1153		*	CE04KW1E221M	ELECTRO 220UF	25WV	
C1154		*	CE04KW1C221M	ELECTRO 220UF	16WV	
C1161		*	C90-3876-08	ELECTRO 82UF	50WV	
C1171		*	CE04KW1A331M	ELECTRO 330UF	10WV	
C2001		*	CK73EB1A335K	CHIP C 3.3UF	K	
C2002-5		*	CK73GB1C393K	CHIP C 0.039UF	K	
C2006		*	C90-3923-08	ELECTRO 100UF	6.3WV	
C2007,8		*	CK73GB1C104Z	CHIP C 0.10UF	Z	
C2009		*	CC73GCH1H470J	CHIP C 47PF	J	
C2010		*	CK73GB1C104Z	CHIP C 0.10UF	Z	
C2012		*	CC73GCH1H331J	CHIP C 330PF	J	
C2015		*	CC73GCH1H330J	CHIP C 33PF	J	
C2016		*	CK73GB1C104K	CHIP C 0.10UF	K	
C2019-21		*	CK73GB1C104Z	CHIP C 0.10UF	Z	
C2022		*	CK73EB1A335K	CHIP C 3.3UF	K	
C2023,24		*	CK73GB1C104Z	CHIP C 0.10UF	Z	
C2025,26		*	CK73GB1H102K	CHIP C 1000PF	K	
C2027		*	CK73GB1C104Z	CHIP C 0.10UF	Z	
C2028		*	CK73GB1H102K	CHIP C 1000PF	K	
C2029		*	CK73GB1C104Z	CHIP C 0.10UF	Z	
C2030		*	CK73GB1H102K	CHIP C 1000PF	K	
C2031		*	CK73GB1C104Z	CHIP C 0.10UF	Z	
C2032,33		*	CC73GCH1H821J	CHIP C 820PF	J	
C2034		*	CC73GCH1H271J	CHIP C 270PF	J	
C2036		*	CC73GCH1H471J	CHIP C 470PF	J	
C2037		*	CC73GCH1H331J	CHIP C 330PF	J	
C2038		*	CC73GCH1H821J	CHIP C 820PF	J	
C2040		*	CK73GB1H392K	CHIP C 3900PF	K	
C2041,42		*	CK73GB1H104Z	CHIP C 0.10UF	Z	
C2043,44		*	CK73GB1C823K	CHIP C 0.082UF	K	
C2045		*	CK73GB1C104K	CHIP C 0.10UF	K	
C2046,47		*	CK73GB1C104Z	CHIP C 0.10UF	Z	
C2500		*	C90-3911-08	ELECTRO 100UF	10WV	
C2501		*	C90-3923-08	ELECTRO 100UF	6.3WV	
C2502		*	C90-3885-08	ELECTRO 330UF	6.3WV	
C2503-5		*	CK73GB1H103K	CHIP C 0.010UF	K	
C2506		*	CK73GB1C104Z	CHIP C 0.10UF	Z	
C2507,8		*	CK73GB1C104K	CHIP C 0.10UF	K	
C2509		*	CK73GB1C104Z	CHIP C 0.10UF	Z	
C2510-12		*	CK73GB1C104K	CHIP C 0.10UF	K	
C2513-25		*	CK73GB1C104Z	CHIP C 0.10UF	Z	
C3001-3		*	C90-3885-08	ELECTRO 330UF	6.3WV	
C3004		*	CK73GB1C105K	CHIP C 1.0UF	K	
C3005,6		*	CK73GB1C104Z	CHIP C 0.10UF	Z	
C3007,8		*	CK73GB1C105K	CHIP C 1.0UF	K	
C3009-11		*	CK73GB1C104Z	CHIP C 0.10UF	Z	
C3012,13		*	CK73GB1C105K	CHIP C 1.0UF	K	
C3014,15		*	CK73GB1C104Z	CHIP C 0.10UF	Z	
C3016		*	CK73GB1C105K	CHIP C 1.0UF	K	
C3017-20		*	CK73GB1C104Z	CHIP C 0.10UF	Z	
C3021,22		*	CK73GB1C105K	CHIP C 1.0UF	K	
C3023,24		*	CK73GB1C104Z	CHIP C 0.10UF	Z	

L : Scandinavia K : USA P : Canada R : Mexico C : China I : Malaysia
Y : PX(Far East,Hawaii) T : England E : Europe G : Germany V : China(Shanghai)
Y : AAFES(Europe) X : Australia Q : Russia H : Korea M : Other Areas △ indicates safety critical components.

PARTS LIST

DVF-5020

* New Parts

Parts without **Parts No.** are not supplied.
Les articles non mentionnés dans le **Parts No.** ne sont pas fournis.
Teile ohne **Parts No.** werden nicht geliefert.

3

Ref. No	Add-ress	New Parts	Parts No.	Description	Desti-nation	Re-marks
C3025,26			CK73GB1C105K	CHIP C	1.0UF	K
C3027-35			CK73GB1C104Z	CHIP C	0.10UF	Z
C3036-42			CC73GCH1H220J	CHIP C	22PF	J
C3043.44			CK73GB1C104Z	CHIP C	0.10UF	Z
C3051		*	C90-3885-08	ELECTRO	330UF	6.3WV
C3052-55			CK73FB1A105K	CHIP C	1.0UF	K
C3056-64			CK73GB1C104Z	CHIP C	0.10UF	Z
C3065		*	C90-3877-08	CHIP TAN	10UF	10WV
C3066			CK73GB1C104Z	CHIP C	0.10UF	Z
C3071-74			CK73GB1C104Z	CHIP C	0.10UF	Z
C3075		*	C90-3877-08	CHIP TAN	10UF	10WV
C3076			CK73GB1C104Z	CHIP C	0.10UF	Z
C3081			CK73GB1C104Z	CHIP C	0.10UF	Z
C3082		*	C90-3877-08	CHIP TAN	10UF	10WV
C3201-4			CK73GB1C104Z	CHIP C	0.10UF	Z
C3211			CK73GB1C104Z	CHIP C	0.10UF	Z
C3221			CK73GB1C104Z	CHIP C	0.10UF	Z
C3231			CK73GB1C104Z	CHIP C	0.10UF	Z
C3241			CK73GB1C104Z	CHIP C	0.10UF	Z
C3251-54			CK73GB1C104Z	CHIP C	0.10UF	Z
C3255			CK73GB1C104K	CHIP C	0.10UF	K
C3256			CK73FB1A105K	CHIP C	1.0UF	K
C3257-60			CK73GB1C104Z	CHIP C	0.10UF	Z
C3261			CK73GB1C104K	CHIP C	0.10UF	K
C3271,72			CK73GB1C104Z	CHIP C	0.10UF	Z
C3282,83			CK73GB1C104Z	CHIP C	0.10UF	Z
C3284-86		*	C90-3923-08	ELECTRO	100UF	6.3WV
C3301			CK73GB1C104Z	CHIP C	0.10UF	Z
C3302		*	C90-3925-08	ELECTRO	10UF	16WV
C3303,4			CK73GB1C104Z	CHIP C	0.10UF	Z
C3305			C90-3882-08	ELECTRO	33UF	6.3WV
C3306			CK73FB1A105K	CHIP C	1.0UF	K
C3307-11			CK73GB1C104Z	CHIP C	0.10UF	Z
C3321			CK73GB1C104K	CHIP C	0.10UF	K
C3322			CK73GB1C104Z	CHIP C	0.10UF	Z
C3323,24			CK73GB1C104K	CHIP C	0.10UF	K
C3326			CK73GB1C104Z	CHIP C	0.10UF	Z
C3500			CE04KW0J471M	ELECTRO	470UF	6.3WV
C3501			CE04KW0J221M	ELECTRO	220UF	6.3WV
C3502			CK73FB1H103Z	CHIP C	0.010UF	Z
C3504-6			CK73FB1H103Z	CHIP C	0.010UF	Z
C3511			CK73FB1H103K	CHIP C	0.010UF	K
C3512-14			CK73FB1H103Z	CHIP C	0.010UF	Z
C3531			CE04KW0J221M	ELECTRO	220UF	6.3WV
C3532			CK73FB1H103Z	CHIP C	0.010UF	Z
C3533			CE04EW1C470M	ELECTRO	47UF	16WV
C3534			CK73FB1H103K	CHIP C	0.010UF	K
C3535			CE04KW0J221M	ELECTRO	220UF	6.3WV
C3536			CK73FB1H103Z	CHIP C	0.010UF	Z
C3537			CE04EW1C100M	ELECTRO	10UF	16WV
C3538			CE04KW0J102M	ELECTRO	1000UF	6.3WV
C3539			CE04EW1C100M	ELECTRO	10UF	16WV
C3540			CE04KW0J102M	ELECTRO	1000UF	6.3WV
C3542			CK73FB1H103K	CHIP C	0.010UF	K
C3549,50			CK73FB1H103Z	CHIP C	0.010UF	Z

L : Scandinavia K : USA P : Canada R : Mexico C : China I : Malaysia

Y : PX(Far East,Hawaii) T : England E : Europe G : Germany V : China(Shanghai)

Y : AAFES(Europe) X : Australia Q : Russia H : Korea M : Other Areas Δ indicates safety critical components .

* New Parts

Parts without **Parts No.** are not supplied.
Les articles non mentionnés dans le **Parts No.** ne sont pas fournis.
Teile ohne **Parts No.** werden nicht geliefert.

4

Ref. No	Add-ress	New Parts	Parts No.	Description	Desti-nation	Re-marks
C3551			CE04KW0J221M	ELECTRO	220UF	6.3WV
C3552			CK73FB1H103Z	CHIP C	0.010UF	Z
C3553			CC73GCH1H150J	CHIP C	15PF	J
C3554			CK73FB1H103Z	CHIP C	0.010UF	Z
C3561			CC73GCH1H150J	CHIP C	15PF	J
C3562			CK73FB1H103Z	CHIP C	0.010UF	Z
C3571			CC73GCH1H150J	CHIP C	15PF	J
C3572			CK73FB1H103Z	CHIP C	0.010UF	Z
C3601			CC73GCH1H180J	CHIP C	18PF	J
C3602			CK73FB1H103K	CHIP C	0.010UF	K
C3603			CK73FB1H103K	CHIP C	0.010UF	K
C3604			CE04EW1C330M	ELECTRO	33UF	16WV
C3605			CE04EW1H010M	ELECTRO	1.0UF	50WV
C3606			CK73FB1H103Z	CHIP C	0.010UF	Z
C3607			CE04EW1C101M	ELECTRO	100UF	16WV
C3608			CE04EW0J331M	ELECTRO	330UF	6.3WV
C3609			CK73FB1H103Z	CHIP C	0.010UF	Z
C3801			CE04EW1E470M	ELECTRO	47UF	25WV
C3802			CE04EW1C470M	ELECTRO	47UF	16WV
C3803			CE04EW1E470M	ELECTRO	47UF	25WV
C3804,5			CK73FB1H104Z	CHIP C	0.10UF	Z
C3806			CE04EW1C470M	ELECTRO	47UF	16WV
C3811-16			CK73FB1H104Z	CHIP C	0.10UF	Z
C3821-24			CK73FB1H104Z	CHIP C	0.10UF	Z
C3831			CK73FB1H104Z	CHIP C	0.10UF	Z
C3832			CE04EW1C101M	ELECTRO	100UF	16WV
C3833			CE04EW1H4R7M	ELECTRO	4.7UF	50WV
C3834			CE04EW0J101M	ELECTRO	100UF	6.3WV
C3835,36			CE04EW0J331M	ELECTRO	330UF	6.3WV
C3837			CE04EW0J101M	ELECTRO	100UF	6.3WV
C3838			CE04EW1H4R7M	ELECTRO	4.7UF	50WV
C3839			CK73FB1H104Z	CHIP C	0.10UF	Z
C3840			CE04EW1C101M	ELECTRO	100UF	16WV
C3841-43			CE04EW1A470M	ELECTRO	47UF	10WV
C3844			CE04EW1C220M	ELECTRO	22UF	16WV
C3845			CE04EW0J101M	ELECTRO	100UF	6.3WV
C3846			CE04EW1C220M	ELECTRO	22UF	16WV
C3847			CE04EW0J101M	ELECTRO	100UF	6.3WV
C3848			CE04EW1C220M	ELECTRO	22UF	16WV
C3849			CE04EW0J101M	ELECTRO	100UF	6.3WV
C3871,72			CK73FB1H104Z	CHIP C	0.10UF	Z
C3873			CK73FB1H101J	CHIP C	100PF	J
C3874			CK73FB1H471J	CHIP C	470PF	J
C3875			CK73FB1H101J	CHIP C	100PF	J
C3876			CK73FB1H471J	CHIP C	470PF	J
C3881,82			CK73FB1H104Z	CHIP C	0.10UF	Z
C3883-86			CK73FB1H471J	CHIP C	470PF	J
C4201-3			CK73GB1C104Z	CHIP C	0.10UF	Z
C4204		*	C90-3877-08	CHIP TAN	10UF	10WV
C4205			CK73GB1C104Z	CHIP C	0.10UF	Z
C4206		*	C90-3877-08	CHIP TAN	10UF	10WV
C4207,8			CK73GB1C104Z	CHIP C	0.10UF	Z
C4209		*	C90-3912-08	ELECTRO	1500WV	6.3WV
C4210		*	C90-3877-08	CHIP TAN	10UF	10WV
C4211-13			CK73GB1C104Z	CHIP C	0.10UF	Z

L : Scandinavia K : USA P : Canada R : Mexico C : China I : Malaysia

Y : PX(Far East,Hawaii) T : England E : Europe G : Germany V : China(Shanghai)

Y : AAFES(Europe) X : Australia Q : Russia H : Korea M : Other Areas Δ indicates safety critical components .

* New Parts

Parts without **Parts No.** are not supplied.
Les articles non mentionnés dans le **Parts No.** ne sont pas fournis.
Teile ohne **Parts No.** werden nicht geliefert.

5

Ref. No	Add-ress	New Parts	Parts No.	Description	Desti-nation	Re-marks
C4214		*	C90-3877-08	CHIP TAN	10UF	10WV
C4215			CK73GB1C104Z	CHIP C	0.10UF	Z
C4216		*	C90-3877-08	CHIP TAN	10UF	10WV
C4217,18			CK73GB1C104Z	CHIP C	0.10UF	Z
C4219		*	C90-3877-08	CHIP TAN	10UF	10WV
C4221-23			CK73GB1C104Z	CHIP C	0.10UF	Z
C4224		*	C90-3877-08	CHIP TAN	10UF	10WV
C4225			CK73GB1C104Z	CHIP C	0.10UF	Z
C4226		*	C90-3877-08	CHIP TAN	10UF	10WV
C4227,28			CK73GB1C104Z	CHIP C	0.10UF	Z
C4231-33			CK73GB1C104Z	CHIP C	0.10UF	Z
C4234		*	C90-3877-08	CHIP TAN	10UF	10WV
C4235			CK73GB1C104Z	CHIP C	0.10UF	Z
C4236		*	C90-3877-08	CHIP TAN	10UF	10WV
C4237,38			CK73GB1C104Z	CHIP C	0.10UF	Z
C4240		*	C90-3877-08	CHIP TAN	10UF	10WV
C4241			CK73GB1C104Z	CHIP C	0.10UF	Z
C4243-45			CC73GCH1H220J	CHIP C	22PF	J
C4248-54			CK73GB1C104Z	CHIP C	0.10UF	Z
C4301			CE04KW0J470M	ELECTRO	47UF	6.3WV
C4302			CQ93FMG1H102J	MYLAR	1000PF	J
C4303			CQ93FMG1H101K	MYLAR	100PF	K
C4305			CE04KW0J470M	ELECTRO	47UF	6.3WV
C4306,7			CK73FB1H103Z	CHIP C	0.010UF	Z
C4308,9			CE04KW1A471M	ELECTRO	470UF	10WV
C4311			CE04KW0J470M	ELECTRO	47UF	6.3WV
C4312			CQ93FMG1H102J	MYLAR	1000PF	J
C4313			CQ93FMG1H101K	MYLAR	100PF	K
C4315			CE04KW0J470M	ELECTRO	47UF	6.3WV
C4316			CQ93FMG1H223J	MYLAR	0.022UF	J
C4317,18			CE04KW0J102M	ELECTRO	1000UF	6.3WV
C4321			CE04KW0J470M	ELECTRO	47UF	6.3WV
C4322			CQ93FMG1H102J	MYLAR	1000PF	J
C4323			CQ93FMG1H101K	MYLAR	100PF	K
C4325			CE04KW0J470M	ELECTRO	47UF	6.3WV
C4326,27			CQ93FMG1H223J	MYLAR	0.022UF	J
C4331			CE04KW0J470M	ELECTRO	47UF	6.3WV
C4332			CQ93FMG1H102J	MYLAR	1000PF	J
C4333			CQ93FMG1H101K	MYLAR	100PF	K
C4335			CE04KW0J470M	ELECTRO	47UF	6.3WV
C4341			CE04KW1C100M	ELECTRO	10UF	16WV
C4342			CK73FB1H102J	CHIP C	1000PF	J
C4343			CC73FCH1H680J	CHIP C	68PF	J
C4345			CE04KW1C470M	ELECTRO	47UF	16WV
C4346,47			CK73FB1H104Z	CHIP C	0.10UF	Z
C4351			CE04KW1C100M	ELECTRO	10UF	16WV
C4352			CK73FB1H102J	CHIP C	1000PF	J
C4353			CC73FCH1H680J	CHIP C	68PF	J
C4355			CE04KW1C470M	ELECTRO	47UF	16WV
C4361			CE04KW1C100M	ELECTRO	10UF	16WV
C4362			CK73FB1H102J	CHIP C	1000PF	J
C4363			CC73FCH1H680J	CHIP C	68PF	J
C4365			CE04KW1C470M	ELECTRO	47UF	16WV
C4366-69			CK73FB1H104Z	CHIP C	0.10UF	Z
C4371			CK73FB1H104Z	CHIP C	0.10UF	Z

L : Scandinavia K : USA P : Canada R : Mexico C : China I : Malaysia
Y : PX(Far East,Hawaii) T : England E : Europe G : Germany V : China(Shanghai)
Y : AAFES(Europe) X : Australia Q : Russia H : Korea M : Other Areas Δ indicates safety critical components.

* New Parts

Parts without **Parts No.** are not supplied.
Les articles non mentionnés dans le **Parts No.** ne sont pas fournis.
Teile ohne **Parts No.** werden nicht geliefert.

6

Ref. No	Add-ress	New Parts	Parts No.	Description	Desti-nation	Re-marks
C4372,73			CK73FB1H102J	CHIP C	1000PF	J
C4374,75			CC73GCH1H180J	CHIP C	18PF	J
C4376			CE04KW1C470M	ELECTRO	47UF	16WV
C4381			CK73FB1H104Z	CHIP C	0.10UF	Z
C4501			CK73FB1H102J	CHIP C	1000PF	J
C4511			CK73FB1H102J	CHIP C	1000PF	J
C4521			CK73FB1H102J	CHIP C	1000PF	J
C4531			CK73FB1H102J	CHIP C	1000PF	J
C4541			CK73FB1H102J	CHIP C	1000PF	J
C4551			CK73FB1H102J	CHIP C	1000PF	J
C4561			CK73FB1H102J	CHIP C	1000PF	J
C4571			CK73FB1H102J	CHIP C	1000PF	J
C4581,82			CK73FB1H104Z	CHIP C	0.10UF	Z
C4584,85			CK73FB1H104Z	CHIP C	0.10UF	Z
C4591			CE04EW0J101M	ELECTRO	100UF	6.3WV
C4592			CK73FB1H104Z	CHIP C	0.10UF	Z
C4701,2			CK73FB1H104Z	CHIP C	0.10UF	Z
C4751			CK73FB1H104Z	CHIP C	0.10UF	Z
C4752			CE04EW0J101M	ELECTRO	100UF	6.3WV
C4754			CC73GCH1H330J	CHIP C	33PF	J
C4761			CC73FCH1H271J	CHIP C	270PF	J
C4763			CK73FB1H104Z	CHIP C	0.10UF	Z
C4764			CE04EW1H4R7M	ELECTRO	4.7UF	50WV
C4771			CK73FB1H104Z	CHIP C	0.10UF	Z
C4772			CC73FCH1H151J	CHIP C	150PF	J
C4773			CC73FCH1H680J	CHIP C	68PF	J
C4774			CK73FB1H104Z	CHIP C	0.10UF	Z
C4781			CE04EW1H4R7M	ELECTRO	4.7UF	50WV
C4782			CK73FB1H104Z	CHIP C	0.10UF	Z
C4901			CE04KW1C470M	ELECTRO	47UF	16WV
C4902			CE04KW1A221M	ELECTRO	220UF	10WV
C4911			CE04KW1E221M	ELECTRO	220UF	25WV
C4912			CE04KW1C470M	ELECTRO	47UF	16WV
C4913			CE04KW1A221M	ELECTRO	220UF	10WV
C4921			CQ93FMG1H223J	MYLAR	0.022UF	J
C4922			CE04KW1A331M	ELECTRO	330UF	10WV
C4923			CQ93FMG1H223J	MYLAR	0.022UF	J
C4924			CE04KW1A471M	ELECTRO	470UF	10WV
C4931			CQ93FMG1H223J	MYLAR	0.022UF	J
C4932			CE04KW1A331M	ELECTRO	330UF	10WV
C4933			CQ93FMG1H223J	MYLAR	0.022UF	J
C4934			CE04KW1A471M	ELECTRO	470UF	10WV
C5201		*	C90-3924-08	ELECTRO	47UF	6.3WV
C5202		*	C90-3877-08	CHIP TAN	10UF	10WV
C5203-6			CK73GB1C104K	CHIP C	0.10UF	K
C5207		*	CE04KW1C100M	ELECTRO	10UF	16WV
C5208		*	C90-3879-08	CHIP TAN	10UF	16WV
C5209			CC73GCH1H101J	CHIP C	100PF	J
C5210			CK73GB1C104K	CHIP C	0.10UF	K
C5211			CC73GCH1H560J	CHIP C	56PF	J
C5212			CC73GCH1H101J	CHIP C	100PF	J
C5213			CK73GB1C104K	CHIP C	0.10UF	K
C5214		*	C90-3880-08	CHIP C	0.18UF	K
C5215			CK73GB1C104K	CHIP C	0.10UF	K
C5216			CK73GB1C104Z	CHIP C	0.10UF	Z

L : Scandinavia K : USA P : Canada R : Mexico C : China I : Malaysia
Y : PX(Far East,Hawaii) T : England E : Europe G : Germany V : China(Shanghai)
Y : AAFES(Europe) X : Australia Q : Russia H : Korea M : Other Areas Δ indicates safety critical components.

PARTS LIST

DVF-5020

* New Parts

Parts without **Parts No.** are not supplied.Les articles non mentionnés dans le **Parts No.** ne sont pas fournis.Teile ohne **Parts No.** werden nicht geliefert.

7

Ref. No	Add-ress	New Parts	Parts No.	Description	Desti-nation	Re-marks
C5217			CK73GB1A224K	CHIP C	0.22UF	K
C5218,19			CK73GB1C104K	CHIP C	0.10UF	K
C5220			CK73GB1H222K	CHIP C	2200PF	K
C5221			CK73GB1H392K	CHIP C	3900PF	K
C5222			CK73GB1C104K	CHIP C	0.10UF	K
C5223			CC73GCH1H820J	CHIP C	82PF	J
C5224			CK73GB1C104K	CHIP C	0.10UF	K
C5225			CK73GB1C104Z	CHIP C	0.10UF	Z
C5226			CK73GB1C104K	CHIP C	0.10UF	K
C5227,28			CK73GB1C104Z	CHIP C	0.10UF	Z
C5229		*	C90-3881-08	CHIP C	220PF	J
C5230			CK73GB1C104K	CHIP C	0.10UF	K
C5231			CK73EB1A335K	CHIP C	3.3UF	K
C5232		*	C90-3882-08	ELECTRO	33UF	6.3WV
C5233			C90-3883-08	CHIP C	0.33UF	K
C5234		*	C90-3882-08	ELECTRO	33UF	6.3WV
C5235			CK73EB1A335K	CHIP C	3.3UF	K
C5236			CK73GB1C104K	CHIP C	0.10UF	K
C5237			CC73GCH1H102K	CHIP C	1000PF	K
C5238			CK73GB1A224K	CHIP C	0.22UF	K
C5239-41			CK73GB1C104Z	CHIP C	0.10UF	Z
C5242			CC73GCH1H121J	CHIP C	120PF	J
C5243,44			CC73GCH1H221J	CHIP C	220PF	J
C5245,46			CK73GB1C104K	CHIP C	0.10UF	K
C5247,48			CK73GB1C104Z	CHIP C	0.10UF	Z
C5249		*	C90-3884-08	CHIP C	680PF	J
C5250-52			CK73GB1C104Z	CHIP C	0.10UF	Z
C5253			CK73GB1H103K	CHIP C	0.010UF	K
C6001			CE04EW0J331M	ELECTRO	330UF	6.3WV
C6002			CK73FB1H104Z	CHIP C	0.10UF	Z
C6003			CE04EW1H330M	ELECTRO	33UF	50WV
C6004			CK73FB1H104Z	CHIP C	0.10UF	Z
C6005			CE04EW0J470M	ELECTRO	47UF	6.3WV
C6006			CK73FB1H104Z	CHIP C	0.10UF	Z
C6013,14			CK73FB1H104Z	CHIP C	0.10UF	Z
C6015			CE04EW0J331M	ELECTRO	330UF	6.3WV
C6021			CK73FB1H103Z	CHIP C	0.010UF	Z
C6041-43			CK73FB1H103Z	CHIP C	0.010UF	Z
C6045			CK73FB1H104Z	CHIP C	0.10UF	Z
C6201,2			CK73GB1C104Z	CHIP C	0.10UF	Z
C6203		*	C90-3882-08	ELECTRO	33UF	6.3WV
C6204-8			CK73GB1C104Z	CHIP C	0.10UF	Z
C6251			CK73GB1C104Z	CHIP C	0.10UF	Z
C6252		*	C90-3882-08	ELECTRO	33UF	6.3WV
C6253		*	C90-3923-08	ELECTRO	100UF	6.3WV
C6254		*	C90-3885-08	ELECTRO	330UF	6.3WV
C6255			CK73GB1H103K	CHIP C	0.010UF	K
C6256		*	C90-3923-08	ELECTRO	100UF	6.3WV
C6301			CC73GCH1H101J	CHIP C	100PF	J
C6302			CK73GB1C104K	CHIP C	0.10UF	K
C6303,4			CK73GB1C104Z	CHIP C	0.10UF	Z
C6501		*	C90-3882-08	ELECTRO	33UF	6.3WV
C6502			CK73GB1C104Z	CHIP C	0.10UF	Z
C6521			CK73GB1C104Z	CHIP C	0.10UF	Z
C6541			CC73GCH1H102K	CHIP C	1000PF	K

L : Scandinavia K : USA P : Canada R : Mexico C : China I : Malaysia

Y : PX(Far East,Hawaii) T : England E : Europe G : Germany V : China(Shanghai)

Y : AAFES(Europe) X : Australia Q : Russia H : Korea M : Other Areas Δ indicates safety critical components.

* New Parts

Parts without **Parts No.** are not supplied.Les articles non mentionnés dans le **Parts No.** ne sont pas fournis.Teile ohne **Parts No.** werden nicht geliefert.

8

Ref. No	Add-ress	New Parts	Parts No.	Description	Desti-nation	Re-marks
C6542			CC73GCH1H100J	CHIP C	10PF	J
C6543,44			CK73GB1C104Z	CHIP C	0.10UF	Z
C6561			CC73GCH1H102K	CHIP C	1000PF	K
C6562			CC73GCH1H100J	CHIP C	10PF	J
C6563,65			CK73GB1C104Z	CHIP C	0.10UF	Z
C6581			CC73GCH1H150J	CHIP C	15PF	J
C6582			CC73GCH1H180J	CHIP C	18PF	J
C6583-85			CK73GB1C104Z	CHIP C	0.10UF	Z
C6601			CK73GB1C104Z	CHIP C	0.10UF	Z
C6602			CK73FB1A105K	CHIP C	1.0UF	K
C6603			CK73GB1H103K	CHIP C	0.010UF	K
C6604			CK73GB1C104K	CHIP C	0.10UF	K
C6606			CK73GB1C104Z	CHIP C	0.10UF	Z
C6607		*	C90-3882-08	ELECTRO	33UF	6.3WV
C6608,9			C90-3883-08	CHIP C	0.10UF	Z
C7001,2		*	C90-3923-08	ELECTRO	100UF	6.3WV
C7003-19			CK73GB1C104Z	CHIP C	0.10UF	Z
C7020			CK73GB1H103K	CHIP C	0.010UF	K
C7301,2			CK73GB1C104Z	CHIP C	0.10UF	Z
C8281		*	C90-3877-08	CHIP TAN	10UF	10WV
FP2501		*	E40-8590-08	CONNECTOR	VJS4241B017W	
FP2511		*	E40-8545-08	CONNECTOR	VJS4241B007W	
FP2601		*	E40-8545-08	CONNECTOR		
FP5201		*	E40-8592-08	CONNECTOR	VJS3913A021	
FP6002		*	E40-8546-08	CONNECTOR	VJS3537B006G	
FP6401		*	E40-8547-08	CONNECTOR	VJS3537A006G	
J3871		*	E40-8598-08	CONNECTOR(21P)	VJS3921	
J3881		*	E40-8598-08	CONNECTOR(21P)	VJS3921	
JK3541		*	E63-1148-08	Y/C CONNECTOR	VJJ0561	
JK4501		*	E63-1149-08	PIN JACK(6P)	VJJ0643	
JK4502		*	E63-1150-08	PIN JACK(4P)	VJJ0592	
JK4771		*	E63-1151-08	PIN JACK(1P)	VJJ0590	
P1001		*	E40-8593-08	AC INLET	VJS3166	
PP1101		*	E40-8536-08	CONNECTOR	VJP4223E018B	
PP3201		*	E40-8594-08	CONNECTOR	VJP4222E026B	
PP3801		*	E40-8588-08	CONNECTOR	VJP3042G020W	
PP4201		*	E40-8594-08	CONNECTOR	VJP4222E026B	
PR1161		*	F09-0147-08	IC PROTETOR	VSF0015A025	
PR1171		*	F50-0163-08	IC PROTETOR	VSF0015A10	
PR4911		*	F50-0163-08	IC PROTETOR		
PS1101		*	E40-8538-08	CONNECTOR	VJS4223A018	
PS3201		*	E40-8597-08	CONNECTOR	VJS4222A026B	
PS3801		*	E40-8589-08	CONNECTOR	VJS3042B020W	
PS4201		*	E40-8597-08	CONNECTOR	VJS4222A026B	
PS6201		*	E40-8540-08	CONNECTOR	VJS2961A010	
F1001		*	F50-0167-08	FUSE	XBA2C16TB0	
FL3000		*	L92-0087-08	FILTER	ELKE103FA	
FL3501		*	L79-1258-08	FILTER	ELB4H080B	
FL3511		*	B11-1503-08	FILTER	ELB4K164B	
FL3551		*	L79-1259-08	FILTER	ELB4H079A	
FL3561		*	L79-1260-08	FILTER	ELB4L181B	
FL6251,54		*	L92-0087-08	FILTER	ELKE103FA	
L1001,2		*	L79-1257-08	LINE FILTER	ELF15N005A	
L1111		*	L90-0349-08	COIL	VLQ0655K100	

L : Scandinavia K : USA P : Canada R : Mexico C : China I : Malaysia

Y : PX(Far East,Hawaii) T : England E : Europe G : Germany V : China(Shanghai)

Y : AAFES(Europe) X : Australia Q : Russia H : Korea M : Other Areas Δ indicates safety critical components.

* New Parts

Parts without **Parts No.** are not supplied.
 Les articles non mentionnés dans le **Parts No.** ne sont pas fournis.
 Teile ohne **Parts No.** werden nicht geliefert.

9

Ref. No	Add-ress	New Parts	Parts No.	Description	Desti-nation	Re-marks
L1112		*	L33-0595-08	INDUCTOR		
L1131		*	L90-0333-08	COIL		
L1141		*	L90-0333-08	COIL		
L1151		*	L90-0350-08	COIL		
L2001,2		*	L90-0346-08	COIL		
L3281		*	L90-0346-08	COIL		
L3501		*	L33-0596-08	COIL		
L3531,32		*	L33-0596-08	COIL		
L3551		*	L33-0596-08	COIL		
L3801		*	L90-0336-08	COIL		
L3871,72		*	L90-0347-08	COIL		
L3881,82		*	L90-0347-08	COIL		
L4761		*	L90-0338-08	COIL		
L4781		*	L33-0596-08	COIL		
L5201,2		*	L90-0346-08	COIL		
L6001		*	L33-0597-08	COIL		
L6002		*	L33-0598-08	COIL		
L6008		*	L33-0597-08	COIL		
L6501		*	L90-0348-08	COIL		
L7001		*	L90-0346-08	COIL		
LB1021,22		*	L90-0339-08	COIL		
LB1024		*	L90-0340-08	COIL		
LB2501-8		*	L90-0341-08	CHIP INDUCTOR		
LB2509-13		*	L90-0342-08	COIL		
LB2514,15		*	L90-0341-08	CHIP INDUCTOR		
LB2517		*	L90-0341-08	CHIP INDUCTOR		
LB2518-21		*	L90-0342-08	COIL		
LB3001		*	L92-0085-08	COIL		
LB3002		*	L90-0342-08	COIL		
LB3201-7		*	L90-0341-08	CHIP INDUCTOR		
LB3212-14		*	L90-0341-08	COIL		
LB3543-46		*	L90-0343-08	COIL		
LB3871-74		*	L90-0343-08	COIL		
LB3881		*	L90-0343-08	COIL		
LB4001-13		*	L90-0341-08	CHIP INDUCTOR		
LB4015,16		*	L90-0341-08	CHIP INDUCTOR		
LB4501		*	L90-0343-08	COIL		
LB4511		*	L90-0343-08	COIL		
LB4521		*	L90-0343-08	COIL		
LB4531		*	L90-0343-08	COIL		
LB4541		*	L90-0343-08	COIL		
LB4551		*	L90-0343-08	COIL		
LB4561		*	L90-0343-08	COIL		
LB4571		*	L90-0343-08	COIL		
LB5202		*	L90-0341-08	CHIP INDUCTOR		
LB5203		*	L90-0342-08	COIL		
LB5204-10		*	L90-0341-08	CHIP INDUCTOR		
LB5211		*	L90-0342-08	COIL		
LB5212-14		*	L90-0341-08	CHIP INDUCTOR		
LB5215		*	L90-0342-08	COIL		
LB5216		*	L90-0341-08	CHIP INDUCTOR		
LB5217		*	L90-0342-08	COIL		
LB5218		*	L90-0341-08	CHIP INDUCTOR		
LB5219		*	L90-0342-08	COIL		
LB6017		*	L90-0354-08	COIL		

L : Scandinavia K : USA P : Canada R : Mexico C : China I : Malaysia
 Y : PX(Far East,Hawaii) T : England E : Europe G : Germany V : China(Shanghai)
 Y : AAFES(Europe) X : Australia Q : Russia H : Korea M : Other Areas Δ indicates safety critical components.

* New Parts

Parts without **Parts No.** are not supplied.
 Les articles non mentionnés dans le **Parts No.** ne sont pas fournis.
 Teile ohne **Parts No.** werden nicht geliefert.

10

Ref. No	Add-ress	New Parts	Parts No.	Description	Desti-nation	Re-marks
LB6213			L92-0084-08	COIL		
LB6521		*	L90-0341-08	CHIP INDUCTOR		
LB6522			L92-0084-08	COIL		
LB6541,42		*	L90-0341-08	CHIP INDUCTOR		
LB6543			L92-0085-08	COIL		
LB6561,62		*	L90-0341-08	CHIP INDUCTOR		
LB6563			L92-0085-08	COIL		
LB6565		*	L90-0341-08	CHIP INDUCTOR		
LB6581		*	L90-0341-08	CHIP INDUCTOR		
LB6583		*	L90-0341-08	CHIP INDUCTOR		
LB6584			L92-0085-08	COIL		
LB6585		*	L90-0341-08	CHIP INDUCTOR		
LB6586			L92-0085-08	COIL		
LB6601		*	L90-0341-08	CHIP INDUCTOR		
X6001		*	L78-0710-08	CRYSTAL OSC		
X6501		*	L77-2280-08	CRYSTAL OSC		
X6502		*	L77-2293-08	CRYSTAL OSC		
X6503		*	L77-2246-08	CRYSTAL OSC		
K3001			RK73GB1J000J	CHIP R	0.0	J 1/16W
K3201			RK73GB1J000J	CHIP R	0.0	J 1/16W
K3205			RK73GB1J000J	CHIP R	0.0	J 1/16W
K3301			RK73GB1J000J	CHIP R	0.0	J 1/16W
K3802			RK73FB2A000J	CHIP R	0.0	J 1/10W
K3871			RK73FB2A000J	CHIP R	0.0	J 1/10W
K4752,53			RK73FB2A000J	CHIP R	0.0	J 1/10W
K5201-5			RK73GB1J000J	CHIP R	0.0	J 1/16W
K6003			RK73FB2A000J	CHIP R	0.0	J 1/10W
K6007			RK73FB2A000J	CHIP R	0.0	J 1/10W
K6012			RK73FB2A000J	CHIP R	0.0	J 1/10W
K6021,22			RK73FB2A000J	CHIP R	0.0	J 1/10W
K6251,52		*	R90-1308-08	CHIP R	0.0	J 1/4W
K6301			RK73GB1J000J	CHIP R	0.0	J 1/16W
K7002			RK73GB1J000J	CHIP R	0.0	J 1/16W
L2501		*	R90-1308-08	CHIP R	0.0	J 1/4W
L6201		*	R90-1308-08	CHIP R	0.0	J 1/4W
L7002		*	R90-1308-08	CHIP R	0.0	J 1/4W
LB4246			RK73GB1J000J	CHIP R	0.0	J 1/16W
LB4771,72			RK73FB2A000J	CHIP R	0.0	J 1/10W
LB5201			RK73GB1J000J	CHIP R	0.0	J 1/16W
R1002		*	RC05GF2H334K	RC	330K	K 1/2W
R1021		*	R92-1930-08	METAL FILM	39K	J 1W
R1023		*	R92-1931-08	METAL FILM	0.82	J 1W
R1033			RS14AB2H100J	FL-PROOF RS	10	J 1/2W
R1055		*	R92-1932-08	RD	3.9M	J 1/2W
R1056			RD14BB2H475J	RD	4.7M	J 1/2W
R1101			RN14BK2E75R0F	RN	75	F 1/4W
R1102,3			RN14BK2E1201F	RN	1.20K	F 1/4W
R2001			RK73GB1J103J	CHIP R	10K	J 1/16W
R2003			RK73GB1J223J	CHIP R	22K	J 1/16W
R2004			RK73GB1J123J	CHIP R	12K	J 1/16W
R2005			RK73GB1J183J	CHIP R	18K	J 1/16W
R2006			RK73GB1J822J	CHIP R	8.2K	J 1/16W
R2008-10			RK73GB1J473J	CHIP R	47K	J 1/16W
R2012			RK73GB1J472J	CHIP R	4.7K	J 1/16W

L : Scandinavia K : USA P : Canada R : Mexico C : China I : Malaysia
 Y : PX(Far East,Hawaii) T : England E : Europe G : Germany V : China(Shanghai)
 Y : AAFES(Europe) X : Australia Q : Russia H : Korea M : Other Areas Δ indicates safety critical components.

PARTS LIST

DVF-5020

* New Parts
 Parts without **Parts No.** are not supplied.
 Les articles non mentionnés dans le **Parts No.** ne sont pas fournis.
 Teile ohne **Parts No.** werden nicht geliefert.

11

Ref. No	Add-ress	New Parts	Parts No.	Description	Desti-nation	Re-marks
R2014			RK73GB1J472J	CHIP R 4.7K	J	1/16W
R2016			RK73GB1J102J	CHIP R 1.0K	J	1/16W
R2019			RK73GB1J331J	CHIP R 330	J	1/16W
R2020-23			RK73GB1J103J	CHIP R 10K	J	1/16W
R2024			RK73GB1J333J	CHIP R 33K	J	1/16W
R2025			RK73GB1J223J	CHIP R 22K	J	1/16W
R2026			RK73GB1J000J	CHIP R 0.0	J	1/16W
R2027			RK73GB1J123J	CHIP R 12K	J	1/16W
R2028			RK73GB1J473J	CHIP R 47K	J	1/16W
R2029,30			RK73GB1J103J	CHIP R 10K	J	1/16W
R2031			RK73GB1J683J	CHIP R 68K	J	1/16W
R2032			RK73GB1J103J	CHIP R 10K	J	1/16W
R2033			RK73GB1J000J	CHIP R 0.0	J	1/16W
R2034			RK73GB1J103J	CHIP R 10K	J	1/16W
R2035			RK73GB1J333J	CHIP R 33K	J	1/16W
R2036,37			RK73GB1J103J	CHIP R 10K	J	1/16W
R2038			RK73GB1J683J	CHIP R 68K	J	1/16W
R2039			RK73GB1J362J	CHIP R 3.6K	J	1/16W
R2501			RK73GB1J473J	CHIP R 47K	J	1/16W
R2502,3			RK73GB1J183J	CHIP R 18K	J	1/16W
R2504-6			RK73GB1J103J	CHIP R 10K	J	1/16W
R2507,8			RK73GB1J123J	CHIP R 12K	J	1/16W
R2509			RK73GB1J273J	CHIP R 27K	J	1/16W
R2510,11			RK73GB1J271J	CHIP R 270	J	1/16W
R2512			RK73GB1J273J	CHIP R 27K	J	1/16W
R2513			RK73GB1J103J	CHIP R 10K	J	1/16W
R2515			R92-1933-08	RD 0.39	J	1/4W
R2516,17			RK73GB1J123J	CHIP R 12K	J	1/16W
R2518,19			RK73GB1J243J	CHIP R 24K	J	1/16W
R2520			RK73GB1J562J	CHIP R 5.6K	J	1/16W
R2521			RK73GB1J563J	CHIP R 56K	J	1/16W
R2522-24			RK73GB1J103J	CHIP R 10K	J	1/16W
R3001			RK73GB1J220J	CHIP R 22	J	1/16W
R3002			RK73GB1J473J	CHIP R 47K	J	1/16W
R3004,5			RK73GB1J103J	CHIP R 10K	J	1/16W
R3006,7			RK73GB1J472J	CHIP R 4.7K	J	1/16W
R3008			RK73GB1J103J	CHIP R 10K	J	1/16W
R3009			RK73GB1J101J	CHIP R 100	J	1/16W
R3010-15			RK73GB1J221J	CHIP R 220	J	1/16W
R3016			RK73GB1J473J	CHIP R 47K	J	1/16W
R3017			RK73GB1J220J	CHIP R 22	J	1/16W
R3051			RK73GB1J752J	CHIP R 7.5K	J	1/16W
R3052,53			RK73GB1J102J	CHIP R 1.0K	J	1/16W
R3054			RK73GB1J101J	CHIP R 100	J	1/16W
R3055			RK73GB1J684J	CHIP R 680K	J	1/16W
R3056			RK73GB1J102J	CHIP R 1.0K	J	1/16W
R3057			RK73GB1J101J	CHIP R 100	J	1/16W
R3058			RK73GB1J684J	CHIP R 680K	J	1/16W
R3059			RK73GB1J102J	CHIP R 1.0K	J	1/16W
R3060			RK73GB1J101J	CHIP R 100	J	1/16W
R3061			RK73GB1J684J	CHIP R 680K	J	1/16W
R3062			RK73GB1J102J	CHIP R 1.0K	J	1/16W
R3071			RK73GB1J103J	CHIP R 10K	J	1/16W
R3072,73			RK73GB1J473J	CHIP R 47K	J	1/16W
R3081,82			RK73GB1J102J	CHIP R 1.0K	J	1/16W

L : Scandinavia K : USA P : Canada R : Mexico C : China I : Malaysia
 Y : PX(Far East,Hawaii) T : England E : Europe G : Germany V : China(Shanghai)
 Y : AAFES(Europe) X : Australia Q : Russia H : Korea M : Other Areas Δ indicates safety critical components.

12

* New Parts
 Parts without **Parts No.** are not supplied.
 Les articles non mentionnés dans le **Parts No.** ne sont pas fournis.
 Teile ohne **Parts No.** werden nicht geliefert.

Ref. No	Add-ress	New Parts	Parts No.	Description	Desti-nation	Re-marks
R3201			RK73GB1J221J	CHIP R 220	J	1/16W
R3202			RK73GB1J330J	CHIP R 33	J	1/16W
R3203			RK73GB1J102J	CHIP R 1.0K	J	1/16W
R3211			RK73GB1J221J	CHIP R 220	J	1/16W
R3212			RK73GB1J330J	CHIP R 33	J	1/16W
R3213			RK73GB1J102J	CHIP R 1.0K	J	1/16W
R3221			RK73GB1J221J	CHIP R 220	J	1/16W
R3222			RK73GB1J330J	CHIP R 33	J	1/16W
R3223			RK73GB1J102J	CHIP R 1.0K	J	1/16W
R3231			RK73GB1J221J	CHIP R 220	J	1/16W
R3232			RK73GB1J330J	CHIP R 33	J	1/16W
R3233			RK73GB1J102J	CHIP R 1.0K	J	1/16W
R3241			RK73GB1J221J	CHIP R 220	J	1/16W
R3242			RK73GB1J330J	CHIP R 33	J	1/16W
R3243			RK73GB1J102J	CHIP R 1.0K	J	1/16W
R3251,52			RK73GB1J102J	CHIP R 1.0K	J	1/16W
R3255,56			RK73GB1J101J	CHIP R 100	J	1/16W
R3257			RK73GB1J821J	CHIP R 820	J	1/16W
R3258			RK73GB1J471J	CHIP R 470	J	1/16W
R3259			RK73GB1J221J	CHIP R 220	J	1/16W
R3301			RK73GB1J750J	CHIP R 75	J	1/16W
R3302			RK73GB1J330J	CHIP R 33	J	1/16W
R3303			RK73GB1J102J	CHIP R 1.0K	J	1/16W
R3304			RK73GB1J332J	CHIP R 3.3K	J	1/16W
R3305			RK73GB1J123J	CHIP R 12K	J	1/16W
R3306			RK73GB1J333J	CHIP R 33K	J	1/16W
R3307			RK73GB1J122J	CHIP R 1.2K	J	1/16W
R3308			RK73GB1J822J	CHIP R 8.2K	J	1/16W
R3309			RK73GB1J184J	CHIP R 180K	J	1/16W
R3310			RK73GB1J103J	CHIP R 10K	J	1/16W
R3311			RK73GB1J331J	CHIP R 330	J	1/16W
R3312			RK73GB1J153J	CHIP R 15K	J	1/16W
R3313			RK73GB1J272J	CHIP R 2.7K	J	1/16W
R3314			RK73GB1J562J	CHIP R 5.6K	J	1/16W
R3315			RK73GB1J124J	CHIP R 120K	J	1/16W
R3316			RK73GB1J394J	CHIP R 390K	J	1/16W
R3317			RK73GB1J680J	CHIP R 68	J	1/16W
R3318			RK73GB1J333J	CHIP R 33K	J	1/16W
R3319			RK73GB1J332J	CHIP R 3.3K	J	1/16W
R3321,22			RK73GB1J123J	CHIP R 12K	J	1/16W
R3323			RK73GB1J104J	CHIP R 100K	J	1/16W
R3324			RK73GB1J393J	CHIP R 39K	J	1/16W
R3325,26			RK73GB1J123J	CHIP R 12K	J	1/16W
R3327,28			RK73GB1J103J	CHIP R 10K	J	1/16W
R3329			RK73GB1J332J	CHIP R 3.3K	J	1/16W
R3333,34			RK73GB1J123J	CHIP R 12K	J	1/16W
R3501			RK73FB2A561J	CHIP R 560	J	1/10W
R3502			RK73FB2A103J	CHIP R 10K	J	1/10W
R3503			RK73FB2A101J	CHIP R 100	J	1/10W
R3504			RK73FB2A222J	CHIP R 2.2K	J	1/10W
R3505			RK73FB2A330J	CHIP R 33	J	1/10W
R3506			RK73FB2A182J	CHIP R 1.8K	J	1/10W
R3507			RK73FB2A330J	CHIP R 33	J	1/10W
R3508			RK73FB2A222J	CHIP R 2.2K	J	1/10W
R3511			RK73FB2A561J	CHIP R 560	J	1/10W

L : Scandinavia K : USA P : Canada R : Mexico C : China I : Malaysia
 Y : PX(Far East,Hawaii) T : England E : Europe G : Germany V : China(Shanghai)
 Y : AAFES(Europe) X : Australia Q : Russia H : Korea M : Other Areas Δ indicates safety critical components.

* New Parts

Parts without **Parts No.** are not supplied.
Les articles non mentionnés dans le **Parts No.** ne sont pas fournis.
Teile ohne **Parts No.** werden nicht geliefert.

13

Ref. No	Add-ress	New Parts	Parts No.	Description	Desti-nation	Re-marks
R3512			RK73FB2A272J	CHIP R	2.7K	J 1/10W
R3514,15			RK73FB2A223J	CHIP R	2.2K	J 1/10W
R3516			RK73FB2A222J	CHIP R	2.2K	J 1/10W
R3517			RK73FB2A330J	CHIP R	33	J 1/10W
R3518			RK73FB2A331J	CHIP R	330	J 1/10W
R3519			RK73FB2A330J	CHIP R	33	J 1/10W
R3520,21			RK73FB2A222J	CHIP R	2.2K	J 1/10W
R3527			RK73FB2A000J	CHIP R	0.0	J 1/10W
R3528,29			RK73FB2A472J	CHIP R	4.7K	J 1/10W
R3531-33			RK73FB2A102J	CHIP R	1.0K	J 1/10W
R3534			RK73FB2A471J	CHIP R	470	J 1/10W
R3535			RK73FB2A103J	CHIP R	10K	J 1/10W
R3543,44			R92-1934-08	CHIP R	71.5	J 1/10W
R3545,46			RK73FB2A750J	CHIP R	75	J 1/10W
R3551			RK73FB2A561J	CHIP R	560	J 1/10W
R3552			RK73FB2A183J	CHIP R	18K	J 1/10W
R3553			RK73FB2A471J	CHIP R	470	J 1/10W
R3554			RK73FB2A223J	CHIP R	22K	J 1/10W
R3555			RK73FB2A331J	CHIP R	330	J 1/10W
R3561			RK73FB2A561J	CHIP R	560	J 1/10W
R3562			RK73FB2A183J	CHIP R	18K	J 1/10W
R3563			RK73FB2A471J	CHIP R	470	J 1/10W
R3564			RK73FB2A223J	CHIP R	22K	J 1/10W
R3565			RK73FB2A331J	CHIP R	330	J 1/10W
R3571			RK73FB2A561J	CHIP R	560	J 1/10W
R3572			RK73FB2A183J	CHIP R	18K	J 1/10W
R3573			RK73FB2A471J	CHIP R	470	J 1/10W
R3574			RK73FB2A223J	CHIP R	22K	J 1/10W
R3575			RK73FB2A331J	CHIP R	330	J 1/10W
R3601			RK73FB2A471J	CHIP R	470	J 1/10W
R3602			RK73FB2A113J	CHIP R	11K	J 1/10W
R3603			RK73FB2A822J	CHIP R	8.2K	J 1/10W
R3604			RK73FB2A100J	CHIP R	10	J 1/10W
R3605			RK73FB2A471J	CHIP R	470	J 1/10W
R3606			RK73FB2A220J	CHIP R	22	J 1/10W
R3607			RK73FB2A222J	CHIP R	2.2K	J 1/10W
R3608			RK73FB2A392J	CHIP R	3.9K	J 1/10W
R3609			RK73FB2A221J	CHIP R	220	J 1/10W
R3610,11			RK73FB2A103J	CHIP R	10K	J 1/10W
R3612			RK73FB2A102J	CHIP R	1.0K	J 1/10W
R3811-14			RK73FB2A151J	CHIP R	150	J 1/10W
R3821			RK73FB2A000J	CHIP R	0.0	J 1/10W
R3823			RK73FB2A000J	CHIP R	0.0	J 1/10W
R3825			RK73FB2A000J	CHIP R	0.0	J 1/10W
R3827,28			RK73FB2A151J	CHIP R	150	J 1/10W
R3841			RK73FB2A333J	CHIP R	33K	J 1/10W
R3842			RK73FB2A562J	CHIP R	5.6K	J 1/10W
R3843			RK73FB2A333J	CHIP R	33K	J 1/10W
R3844			RK73FB2A562J	CHIP R	5.6K	J 1/10W
R3845			RK73FB2A333J	CHIP R	33K	J 1/10W
R3846			RK73FB2A562J	CHIP R	5.6K	J 1/10W
R3847-50			RK73FB2A472J	CHIP R	4.7K	J 1/10W
R3851			RK73FB2A332J	CHIP R	3.3K	J 1/10W
R3852			RK73FB2A562J	CHIP R	5.6K	J 1/10W
R3853-56			RK73FB2A332J	CHIP R	3.3K	J 1/10W

L : Scandinavia K : USA P : Canada R : Mexico C : China I : Malaysia
Y : PX(Far East,Hawaii) T : England E : Europe G : Germany V : China(Shanghai)
Y : AAFES(Europe) X : Australia Q : Russia H : Korea M : Other Areas Δ indicates safety critical components.

* New Parts

Parts without **Parts No.** are not supplied.
Les articles non mentionnés dans le **Parts No.** ne sont pas fournis.
Teile ohne **Parts No.** werden nicht geliefert.

14

Ref. No	Add-ress	New Parts	Parts No.	Description	Desti-nation	Re-marks
R3857			RK73FB2A680J	CHIP R	68	J 1/10W
R3858,59			RK73FB2A472J	CHIP R	4.7K	J 1/10W
R3860			RK73FB2A332J	CHIP R	3.3K	J 1/10W
R3861			RK73FB2A182J	CHIP R	1.8K	J 1/10W
R3862			RK73FB2A562J	CHIP R	5.6K	J 1/10W
R3863,64			RK73FB2A332J	CHIP R	3.3K	J 1/10W
R3865			RK73FB2A562J	CHIP R	5.6K	J 1/10W
R3866			RK73FB2A472J	CHIP R	4.7K	J 1/10W
R3867			RK73FB2A562J	CHIP R	5.6K	J 1/10W
R3868			RK73FB2A332J	CHIP R	3.3K	J 1/10W
R3869			RK73FB2A471J	CHIP R	470	J 1/10W
R3871			RK73FB2A821J	CHIP R	820	J 1/10W
R3872			RK73FB2A101J	CHIP R	100	J 1/10W
R3874			RK73FB2A821J	CHIP R	820	J 1/10W
R3875			RK73FB2A101J	CHIP R	100	J 1/10W
R3876-80			RK73FB2A750J	CHIP R	75	J 1/10W
R3882,83			RK73FB2A101J	CHIP R	100	J 1/10W
R3885,86			RK73FB2A101J	CHIP R	100	J 1/10W
R3887			RK73FB2A000J	CHIP R	0.0	J 1/10W
R3888			RK73FB2A750J	CHIP R	75	J 1/10W
R3889			RK73FB2A000J	CHIP R	0.0	J 1/10W
R3890			RK73FB2A750J	CHIP R	75	J 1/10W
R3891			RK73FB2A000J	CHIP R	0.0	J 1/10W
R3892-94			RK73FB2A750J	CHIP R	75	J 1/10W
R4201			RK73GB1J331J	CHIP R	330	J 1/16W
R4202			RK73GB1J222J	CHIP R	2.2K	J 1/16W
R4211			RK73GB1J331J	CHIP R	330	J 1/16W
R4221			RK73GB1J331J	CHIP R	330	J 1/16W
R4231			RK73GB1J331J	CHIP R	330	J 1/16W
R4241			RK73GB1J242J	CHIP R	2.4K	J 1/16W
R4242-44			RK73GB1J221J	CHIP R	220	J 1/16W
R4245			RK73GB1J472J	CHIP R	4.7K	J 1/16W
R4301			RK73FB2A104J	CHIP R	100K	J 1/10W
R4302			RK73FB2A392J	CHIP R	3.9K	J 1/10W
R4303			RK73FB2A103J	CHIP R	10K	J 1/10W
R4304			RK73FB2A822J	CHIP R	8.2K	J 1/10W
R4305			RK73FB2A000J	CHIP R	0.0	J 1/10W
R4307			RK73FB2A473J	CHIP R	47K	J 1/10W
R4311			RK73FB2A104J	CHIP R	100K	J 1/10W
R4312			RK73FB2A392J	CHIP R	3.9K	J 1/10W
R4313			RK73FB2A103J	CHIP R	10K	J 1/10W
R4314			RK73FB2A822J	CHIP R	8.2K	J 1/10W
R4317			RK73FB2A473J	CHIP R	47K	J 1/10W
R4321			RK73FB2A104J	CHIP R	100K	J 1/10W
R4322			RK73FB2A392J	CHIP R	3.9K	J 1/10W
R4323			RK73FB2A103J	CHIP R	10K	J 1/10W
R4324			RK73FB2A822J	CHIP R	8.2K	J 1/10W
R4325			RK73FB2A000J	CHIP R	0.0	J 1/10W
R4327			RK73FB2A473J	CHIP R	47K	J 1/10W
R4331			RK73FB2A104J	CHIP R	100K	J 1/10W
R4332			RK73FB2A392J	CHIP R	3.9K	J 1/10W
R4333			RK73FB2A103J	CHIP R	10K	J 1/10W
R4334			RK73FB2A822J	CHIP R	8.2K	J 1/10W
R4337			RK73FB2A473J	CHIP R	47K	J 1/10W
R4341			RK73FB2A104J	CHIP R	100K	J 1/10W

L : Scandinavia K : USA P : Canada R : Mexico C : China I : Malaysia
Y : PX(Far East,Hawaii) T : England E : Europe G : Germany V : China(Shanghai)
Y : AAFES(Europe) X : Australia Q : Russia H : Korea M : Other Areas Δ indicates safety critical components.

PARTS LIST

DVF-5020

* New Parts

Parts without **Parts No.** are not supplied.Les articles non mentionnés dans le **Parts No.** ne sont pas fournis.Teile ohne **Parts No.** werden nicht geliefert.

15

Ref. No	Add-ress	New Parts	Parts No.	Description	Desti-nation	Re-marks
R4342			RK73FB2A302J	CHIP R 3.0K J 1/10W		
R4343			RK73FB2A103J	CHIP R 10K J 1/10W		
R4344			RK73FB2A123J	CHIP R 12K J 1/10W		
R4345			RK73FB2A000J	CHIP R 0.0 J 1/10W		
R4347			RK73FB2A473J	CHIP R 47K J 1/10W		
R4351			RK73FB2A104J	CHIP R 100K J 1/10W		
R4352			RK73FB2A302J	CHIP R 3.0K J 1/10W		
R4353			RK73FB2A103J	CHIP R 10K J 1/10W		
R4354			RK73FB2A123J	CHIP R 12K J 1/10W		
R4355			RK73FB2A000J	CHIP R 0.0 J 1/10W		
R4357			RK73FB2A473J	CHIP R 47K J 1/10W		
R4361			RK73FB2A104J	CHIP R 100K J 1/10W		
R4362			RK73FB2A302J	CHIP R 3.0K J 1/10W		
R4363			RK73FB2A103J	CHIP R 10K J 1/10W		
R4364			RK73FB2A123J	CHIP R 12K J 1/10W		
R4366			RK73FB2A000J	CHIP R 0.0 J 1/10W		
R4367			RK73FB2A473J	CHIP R 47K J 1/10W		
R4369			RK73FB2A000J	CHIP R 0.0 J 1/10W		
R4371			RK73FB2A104J	CHIP R 100K J 1/10W		
R4372,73			RK73FB2A472J	CHIP R 4.7K J 1/10W		
R4374			RK73FB2A362J	CHIP R 3.6K J 1/10W		
R4375			RK73FB2A332J	CHIP R 3.3K J 1/10W		
R4376			RK73FB2A273J	CHIP R 27K J 1/10W		
R4377			RK73FB2A563J	CHIP R 56K J 1/10W		
R4378			RK73FB2A473J	CHIP R 47K J 1/10W		
R4381			RK73FB2A273J	CHIP R 27K J 1/10W		
R4382			RK73FB2A103J	CHIP R 10K J 1/10W		
R4383			RK73FB2A104J	CHIP R 100K J 1/10W		
R4501			RK73FB2A821J	CHIP R 820 J 1/10W		
R4502			RK73FB2A221J	CHIP R 220 J 1/10W		
R4503-5			RK73FB2A821J	CHIP R 820 J 1/10W		
R4511			RK73FB2A821J	CHIP R 820 J 1/10W		
R4512			RK73FB2A221J	CHIP R 220 J 1/10W		
R4513-15			RK73FB2A821J	CHIP R 820 J 1/10W		
R4521			RK73FB2A821J	CHIP R 820 J 1/10W		
R4522			RK73FB2A221J	CHIP R 220 J 1/10W		
R4523			RK73FB2A821J	CHIP R 820 J 1/10W		
R4531			RK73FB2A821J	CHIP R 820 J 1/10W		
R4532			RK73FB2A221J	CHIP R 220 J 1/10W		
R4533			RK73FB2A821J	CHIP R 820 J 1/10W		
R4541			RK73FB2A821J	CHIP R 820 J 1/10W		
R4542			RK73FB2A221J	CHIP R 220 J 1/10W		
R4543			RK73FB2A821J	CHIP R 820 J 1/10W		
R4551			RK73FB2A821J	CHIP R 820 J 1/10W		
R4552			RK73FB2A221J	CHIP R 220 J 1/10W		
R4553			RK73FB2A821J	CHIP R 820 J 1/10W		
R4561			RK73FB2A821J	CHIP R 820 J 1/10W		
R4562			RK73FB2A221J	CHIP R 220 J 1/10W		
R4563			RK73FB2A821J	CHIP R 820 J 1/10W		
R4571			RK73FB2A821J	CHIP R 820 J 1/10W		
R4572			RK73FB2A221J	CHIP R 220 J 1/10W		
R4573			RK73FB2A821J	CHIP R 820 J 1/10W		
R4591			RK73FB2A223J	CHIP R 22K J 1/10W		
R4592			RK73FB2A333J	CHIP R 33K J 1/10W		
R4593			RK73FB2A103J	CHIP R 10K J 1/10W		

L : Scandinavia K : USA P : Canada R : Mexico C : China I : Malaysia

Y : PX(Far East,Hawaii) T : England E : Europe G : Germany V : China(Shanghai)

Y : AAFES(Europe) X : Australia Q : Russia H : Korea M : Other Areas Δ indicates safety critical components .

* New Parts

Parts without **Parts No.** are not supplied.Les articles non mentionnés dans le **Parts No.** ne sont pas fournis.Teile ohne **Parts No.** werden nicht geliefert.

16

Ref. No	Add-ress	New Parts	Parts No.	Description	Desti-nation	Re-marks
R4594			RK73EB2B102J	CHIP R 1.0K J 1/8W		
R4595			RK73FB2A221J	CHIP R 220 J 1/10W		
R4596,97			RK73FB2A223J	CHIP R 22K J 1/10W		
R4598			RK73FB2A331J	CHIP R 330 J 1/10W		
R4754			RK73FB2A221J	CHIP R 220 J 1/10W		
R4761			RK73FB2A100J	CHIP R 10 J 1/10W		
R4771			RK73FB2A750J	CHIP R 75 J 1/10W		
R4901			RK73FB2A822J	CHIP R 8.2K J 1/10W		
R4902			RK73FB2A152J	CHIP R 1.5K J 1/10W		
R4903			RK73FB2A333J	CHIP R 33K J 1/10W		
R4911			RK73FB2A822J	CHIP R 8.2K J 1/10W		
R4912			RK73FB2A331J	CHIP R 330 J 1/10W		
R4913			RK73FB2A103J	CHIP R 10K J 1/10W		
R4921			RK73FB2A561J	CHIP R 560 J 1/10W		
R4922			RK73FB2A105J	CHIP R 1.0M J 1/10W		
R4931			RK73FB2A561J	CHIP R 560 J 1/10W		
R4932			RK73FB2A105J	CHIP R 1.0M J 1/10W		
R5201			R92-1935-08	RD 27 J 1/2W		
R5202			RK73GB1J2R2J	CHIP R 2.2 J 1/16W		
R5203			RK73GB1J223J	CHIP R 22K J 1/16W		
R5205,6			RK73GB1J103J	CHIP R 10K J 1/16W		
R5208			RK73GB1J823J	CHIP R 82K J 1/16W		
R5209			RK73GB1J123J	CHIP R 12K J 1/16W		
R5210			RK73GB1J272J	CHIP R 2.7K J 1/16W		
R5211			RK73GB1J393J	CHIP R 39K J 1/16W		
R5212			RK73GB1J123J	CHIP R 12K J 1/16W		
R5213			RK73GB1J393J	CHIP R 39K J 1/16W		
R5214			RK73GB1J223J	CHIP R 22K J 1/16W		
R5215			RK73GB1J822J	CHIP R 8.2K J 1/16W		
R5216			RK73GB1J183J	CHIP R 18K J 1/16W		
R5217			RK73GB1J223J	CHIP R 22K J 1/16W		
R5218			RK73GB1J103J	CHIP R 10K J 1/16W		
R5219			RK73GB1J153J	CHIP R 15K J 1/16W		
R5220,21			RK73GB1J474J	CHIP R 470K J 1/16W		
R5222			RK73GB1J332J	CHIP R 3.3K J 1/16W		
R5223			RK73GB1J752J	CHIP R 7.5K J 1/16W		
R5224			RK73GB1J154J	CHIP R 150K J 1/16W		
R5225			RK73GB1J564J	CHIP R 560K J 1/16W		
R5226			RK73GB1J155J	CHIP R 1.5M J 1/16W		
R6001-11			RK73FB2A473J	CHIP R 47K J 1/10W		
R6015			RK73FB2A473J	CHIP R 47K J 1/10W		
R6019			RK73FB2A221J	CHIP R 220 J 1/10W		
R6023			RK73FB2A221J	CHIP R 220 J 1/10W		
R6029-33			RK73FB2A104J	CHIP R 100K J 1/10W		
R6035,36			RK73FB2A221J	CHIP R 220 J 1/10W		
R6037-39			RK73FB2A103J	CHIP R 10K J 1/10W		
R6041-43			RK73FB2A103J	CHIP R 10K J 1/10W		
R6044			RK73FB2A821J	CHIP R 820 J 1/10W		
R6045			RK73FB2A102J	CHIP R 1.0K J 1/10W		
R6046,47			RK73FB2A122J	CHIP R 1.2K J 1/10W		
R6049			RK73FB2A821J	CHIP R 820 J 1/10W		
R6050			RK73FB2A102J	CHIP R 1.0K J 1/10W		
R6052			RK73FB2A821J	CHIP R 820 J 1/10W		
R6053			RK73FB2A102J	CHIP R 1.0K J 1/10W		
R6064			RK73FB2A473J	CHIP R 47K J 1/10W		

L : Scandinavia K : USA P : Canada R : Mexico C : China I : Malaysia

Y : PX(Far East,Hawaii) T : England E : Europe G : Germany V : China(Shanghai)

Y : AAFES(Europe) X : Australia Q : Russia H : Korea M : Other Areas Δ indicates safety critical components .

* New Parts

Parts without **Parts No.** are not supplied.
Les articles non mentionnés dans le **Parts No.** ne sont pas fournis.
Teile ohne **Parts No.** werden nicht geliefert.

17

Ref. No	Add-ress	New Parts	Parts No.	Description	Desti-nation	Re-marks
R6065			RK73FB2A331J	CHIP R 330 J 1/10W		
R6201			RK73GB1J103J	CHIP R 10K J 1/16W		
R6202-4			RK73GB1J473J	CHIP R 47K J 1/16W		
R6205			RK73GB1J222J	CHIP R 2.2K J 1/16W		
R6206-8			RK73GB1J473J	CHIP R 47K J 1/16W		
R6301			RK73GB1J103J	CHIP R 10K J 1/16W		
R6302,3			RK73GB1J472J	CHIP R 4.7K J 1/16W		
R6541			RK73GB1J223J	CHIP R 22K J 1/16W		
R6542			RK73GB1J105J	CHIP R 1.0M J 1/16W		
R6544			RK73GB1J221J	CHIP R 220 J 1/16W		
R6561			RK73GB1J223J	CHIP R 22K J 1/16W		
R6562			RK73GB1J105J	CHIP R 1.0M J 1/16W		
R6564			RK73GB1J221J	CHIP R 220 J 1/16W		
R6581			RK73GB1J105J	CHIP R 1.0M J 1/16W		
R6582			RK73GB1J331J	CHIP R 330 J 1/16W		
R6601			RK73GB1J473J	CHIP R 47K J 1/16W		
R6602			RK73GB1J153J	CHIP R 15K J 1/16W		
R6603			RK73GB1J223J	CHIP R 22K J 1/16W		
R6604			RK73GB1J333J	CHIP R 33K J 1/16W		
R7001,2			RK73GB1J102J	CHIP R 1.0K J 1/16W		
R7003			RK73GB1J473J	CHIP R 47K J 1/16W		
R7006			RK73GB1J473J	CHIP R 47K J 1/16W		
RA2001		*	R90-0999-08	RADDER RESISTOR VRE0220A473		
RA2002		*	R90-1000-08	RADDER RESISTOR VRE0219A331		
RA2501,2		*	R90-1301-08	RADDER RESISTOR VRE0220A103		
RA3001-4		*	R90-1302-08	RADDER RESISTOR VRE0219A820		
RA3005		*	R90-0999-08	RADDER RESISTOR		
RA3006-8		*	R90-1302-08	RADDER RESISTOR		
RA3009		*	R90-1303-08	RADDER RESISTOR VRE0219A242		
RA3010		*	R90-1304-08	RADDER RESISTOR VRE0219A472		
RA3011		*	R90-1303-08	RADDER RESISTOR		
RA3012		*	R90-1304-08	RADDER RESISTOR		
RA3013		*	R90-1303-08	RADDER RESISTOR		
RA3014		*	R90-1304-08	RADDER RESISTOR		
RA3251,52		*	R90-1305-08	RADDER RESISTOR VRE0219A471		
RA3253		*	R90-0999-08	RADDER RESISTOR		
RA6201		*	R90-1301-08	RADDER RESISTOR		
RA6203-6		*	R90-0999-08	RADDER RESISTOR		
RA7001,2		*	R90-1306-08	RADDER RESISTOR VRE0219A473		
VR3201		*	R39-0024-08	VARIABLE R VRV0293B102T		
VR3501		*	R32-0091-08	TRIMMER POT EVNCYAA03B13		
VR3511		*	R32-0091-08	TRIMMER POT		
W801-8			RK73FB2A000J	CHIP R 0.0 J 1/10W		
W2501			RK73FB2A000J	CHIP R 0.0 J 1/10W		
W3201			RK73GB1J000J	CHIP R 0.0 J 1/16W		
W3301			RK73GB1J000J	CHIP R 0.0 J 1/16W		
W4201-5			RK73GB1J000J	CHIP R 0.0 J 1/16W		
W5201			RK73FB2A000J	CHIP R 0.0 J 1/10W		
W6201			RK73GB1J000J	CHIP R 0.0 J 1/16W		
W6501			RK73FB2A000J	CHIP R 0.0 J 1/10W		
W6601			RK73FB2A000J	CHIP R 0.0 J 1/10W		
S6001-3		*	S70-0080-08	SWITCH EVQ11A07R		
S6005-7		*	S70-0081-08	SWITCH EVQ11U07M		
S6401		*	S70-0082-08	SWITCH EVQQS307K		

L : Scandinavia K : USA P : Canada R : Mexico C : China I : Malaysia
Y : PX(Far East,Hawaii) T : England E : Europe G : Germany V : China(Shanghai)
Y : AAFES(Europe) X : Australia Q : Russia H : Korea M : Other Areas Δ indicates safety critical components.

* New Parts

Parts without **Parts No.** are not supplied.
Les articles non mentionnés dans le **Parts No.** ne sont pas fournis.
Teile ohne **Parts No.** werden nicht geliefert.

18

Ref. No	Add-ress	New Parts	Parts No.	Description	Desti-nation	Re-marks
Δ T1021		*	L07-2856-08	TRANSFORMER ETS29AD4H6AC		
T4761		*	L07-2857-08	TRANSFORMER VLQ0897		
Δ D1001		*	ENC471D5ATRB	DIODE		
Δ D1011		*	S1WBA80	DIODE		
D1021		*	AP01C	DIODE		
D1022		*	RD100E	DIODE		
D1031		*	AU01Z	DIODE		
D1032		*	MA7300B	DIODE		
D1041			MA165	DIODE		
D1051			MA700	DIODE		
D1052		*	MA4200H	DIODE		
D1111		*	MA7D55	DIODE		
D1121			11ES1	DIODE		
D1131			11EQS10	DIODE		
D1141			11EQS10	DIODE		
D1151			11EQS10	DIODE		
D1152			11EQS10	DIODE		
D1161			AU01Z	DIODE		
D1162		*	MA4030M	DIODE		
D1171		*	AK04	DIODE		
D3081			MA152WA	DIODE		
D3281			MA111	DIODE		
D3301		*	MA8036-L	DIODE		
D3302		*	MA8039-L	DIODE		
D3601			MA742	DIODE		
D3851		*	MA152A	DIODE		
D3852		*	MA8130	DIODE		
D3861			MA152WK	DIODE		
D3862		*	MA152A	DIODE		
D3863		*	MA8120-L	DIODE		
D4591-94			1SS355	DIODE		
D4595			MA152WA	DIODE		
D4596			MA3047M	DIODE		
D4901			AK04WS	DIODE		
D4921			1SS355	DIODE		
D4931			1SS355	DIODE		
D6001			AK04WS	DIODE		
D6002-4			1SS355	DIODE		
D6013,14			LN28RCPL	DIODE		
D6311			MA728	DIODE		
D6541		*	MA304	DIODE		
D6561		*	MA304	DIODE		
DL6001		*	VSL0519	DISPLAY TUBE		
IC1021		*	STRM6559LF14	IC		
IC1101		*	UPC1093J	IC(REGULATOR)		
IC1121		*	PQ3RD13	IC		
IC1151		*	SI-3090FLF11	IC		
IC2001		*	MN67705EA	IC		
IC2501		*	AN8485SB	IC		
IC2511		*	BA5983FM	IC(ANALOGUE IC)		
IC3001		*	MN677521HA	IC		
IC3061		*	D4516161A80R	IC		
IC3071		*	D4516161A80R	IC		
IC3081		*	PQ07VZ012ZP	IC		

L : Scandinavia K : USA P : Canada R : Mexico C : China I : Malaysia
Y : PX(Far East,Hawaii) T : England E : Europe G : Germany V : China(Shanghai)
Y : AAFES(Europe) X : Australia Q : Russia H : Korea M : Other Areas Δ indicates safety critical components.

PARTS LIST

DVF-5020

* New Parts

Parts without **Parts No.** are not supplied.Les articles non mentionnés dans le **Parts No.** ne sont pas fournis.Teile ohne **Parts No.** werden nicht geliefert.

19

Ref. No	Add-ress	New Parts	Parts No.	Description	Desti-nation	Re-marks
IC3201		*	ADV7172KST	IC		
IC3281		*	PQ1R33	IC		
IC3301			NJM2115V	IC		
IC3302			BU4053BCFV	IC		
IC3321		*	T74VHC221AFT	IC		
IC3322			TC7S02FU	IC(2,INPUT NOR GATE)		
IC3531			AN3581S	IC		
IC3801		*	AN79L05M	IC		
IC3811			TC4W53F	IC		
IC3812,13		*	MC14053BF	IC		
IC3821,22		*	MC14053BF	IC		
IC3831		*	NJM2267M	IC		
IC3841		*	BA7660FS	IC		
IC4201		*	PCM1734EA-E2	IC		
IC4211		*	PCM1734EA-E2	IC		
IC4221		*	PCM1734EB-E2	IC		
IC4231		*	PCM1734EB-E2	IC		
IC4241		*	SN74HCT08ADB	IC		
IC4251		*	TC7WH157FU	IC		
IC4301			NJM4580M	IC		
IC4321			NJM4580M	IC		
IC4341			NJM4580M	IC		
IC4361,62			NJM4580M	IC		
IC4701			NJM4580M	IC		
IC4751			TC7W08F	IC		
IC4901		*	PQ09DZ1U	IC		
IC5201		*	MM1385JNRE	IC		
IC5202		*	AN8706FHQ	IC		
IC6001		*	MN1872423CE	IC		
IC6002		*	PST9340UR	IC		
IC6003		*	PNA4611M02VT	IC		
IC6004,5		*	AHCT1G08DBV	IC		
IC6201		*	MN102L25DFB	IC		
IC6301		*	PST596JNR	IC		
IC6302		*	JZS0649130i	IC		
IC6303		*	AT25020NS127	IC		
IC6521		*	TC7WH157FU	IC		
IC6541,42		*	AHC1GU04HDCK	IC		
IC6561,62		*	AHC1GU04HDCK	IC		
IC6563			TC7WH74FU	IC		
IC6581,82		*	AHC1GU04HDCK	IC		
IC6583			TC7WH74FU	IC		
IC6601			NJM2115V	IC		
IC7001		*	MN103007BGA	IC		
IC7301			TC7SH08FU	IC(2ch AND GATE)		
IC7302		*	TC7SH32FU	IC		
Q1041		*	PS2561L1	TRANSISTOR		
Q1111		*	2SJ525	TRANSISTOR		
Q3201			2SB1218A	TRANSISTOR		
Q3211			2SB1218A	TRANSISTOR		
Q3221			2SB1218A	TRANSISTOR		
Q3231			2SB1218A	TRANSISTOR		
Q3241			2SB1218A	TRANSISTOR		
Q3301-5			2SB1218A	TRANSISTOR		
Q3321,22			2SD1819A	TRANSISTOR		

L : Scandinavia K : USA P : Canada R : Mexico C : China I : Malaysia

Y : PX(Far East,Hawaii) T : England E : Europe G : Germany V : China(Shanghai)

Y : AAFES(Europe) X : Australia Q : Russia H : Korea M : Other Areas Δ indicates safety critical components .

20

* New Parts

Parts without **Parts No.** are not supplied.Les articles non mentionnés dans le **Parts No.** ne sont pas fournis.Teile ohne **Parts No.** werden nicht geliefert.

Ref. No	Add-ress	New Parts	Parts No.	Description	Desti-nation	Re-marks
Q3331			2SD1819A	TRANSISTOR		
Q3501			2SB709A	TRANSISTOR		
Q3502			2SD601A	TRANSISTOR		
Q3503			2SB709A	TRANSISTOR		
Q3511			2SB709A	TRANSISTOR		
Q3512			2SD601A	TRANSISTOR		
Q3513			2SB709A	TRANSISTOR		
Q3551			2SD601A	TRANSISTOR		
Q3561			2SD601A	TRANSISTOR		
Q3571			2SD601A	TRANSISTOR		
Q3601		*	2SC2404	TRANSISTOR		
Q3602		*	2SC2295-B	TRANSISTOR		
Q3603		*	2SA1022-B	TRANSISTOR		
Q3851		*	2SB710-R	TRANSISTOR		
Q3852		*	XN4502	TRANSISTOR		
Q3853			XN4401	TRANSISTOR		
Q3861		*	2SD602A-R	TRANSISTOR		
Q3862		*	XN4402	TRANSISTOR		
Q3863		*	2SB710-R	TRANSISTOR		
Q3864		*	2SD602A-R	TRANSISTOR		
Q4381		*	2SJ498CTA	TRANSISTOR		
Q4501			2SD1328	TRANSISTOR		
Q4502			2SD601A	TRANSISTOR		
Q4511			2SD1328	TRANSISTOR		
Q4512			2SD601A	TRANSISTOR		
Q4521			2SD1328	TRANSISTOR		
Q4531			2SD1328	TRANSISTOR		
Q4541			2SD601A	TRANSISTOR		
Q4551			2SD601A	TRANSISTOR		
Q4561			2SD601A	TRANSISTOR		
Q4571			2SD601A	TRANSISTOR		
Q4901			2SB709A	TRANSISTOR		
Q4911			2SB1434	TRANSISTOR		
Q4912		*	2SB1320A-R	TRANSISTOR		
Q4913			2SD601A	TRANSISTOR		
Q4921			2SK170	TRANSISTOR		
Q4931		*	2SJ74V	TRANSISTOR		
Q5201			2SB1115-T	TRANSISTOR		
Q6009		*	2SD1996-S	TRANSISTOR		
QR1111			UN4213	TRANSISTOR		
QR2001			UN5213	TRANSISTOR-RESISTOR		
QR2501,2		*	XP1213	TRANSISTOR-RESISTOR		
QR2503			UN5213	TRANSISTOR-RESISTOR		
QR3521			UN2212	TRANSISTOR-RESISTOR		
QR3523,24			UN2212	TRANSISTOR-RESISTOR		
QR3601			UN2211	TRANSISTOR		
QR3841			XN1213	TRANSISTOR		
QR3842			UN2213	TRANSISTOR		
QR3843			XN1213	TRANSISTOR		
QR3851			UN2217	TRANSISTOR		
QR3852			XN1213	TRANSISTOR		
QR3853		*	XN1112	TRANSISTOR		
QR3861			UN2217	TRANSISTOR		
QR3862,63			XN1213	TRANSISTOR		
QR4381			UN2211	TRANSISTOR		

L : Scandinavia K : USA P : Canada R : Mexico C : China I : Malaysia

Y : PX(Far East,Hawaii) T : England E : Europe G : Germany V : China(Shanghai)

Y : AAFES(Europe) X : Australia Q : Russia H : Korea M : Other Areas Δ indicates safety critical components .

* New Parts

Parts without **Parts No.** are not supplied.

Les articles non mentionnés dans le **Parts No.** ne sont pas fournis.

Teile ohne **Parts No.** werden nicht geliefert.

21

Ref. No	Add-ress	New Parts	Parts No.	Description	Desti-nation	Re-marks
QR4591		*	UN2211	TRANSISTOR		
QR4592		*	UN2115	TRANSISTOR		
QR4593		*	UN2211	TRANSISTOR		
QR4594,95		*	UN2111	TRANSISTOR		
QR5201,2		*	UN5212	TRANSISTOR-RESISTOR		
QR5203			UN5112	TRANSISTOR-RESISTOR		
QR6002,3			DTA123JK	TRANSISTOR		
QR6004			UN2212	TRANSISTOR-RESISTOR		
QR6008			UN2111	TRANSISTOR		
QR6311			UN5212	TRANSISTOR-RESISTOR		
IC4781		*	W02-2735-08	OPTIC RECEIVING MODULE T0TX140		
MECHANISM PARTS						
41	1B	*	A11-1171-08	INTERMEDIATE CHASSIS,VMD3270		
42	1A	*	J99-0819-08	TRAY VMD3265		
43	2A	*	D13-1978-08	PULLEY GEAR VDG1308		
44	2A	*	D13-1979-08	DECELERATION GEAR,VDG1309		
45	2A	*	D13-1980-08	DRIVE GEAR VDG1310		
46	2B	*	A11-1172-08	VERTICAL CAM VDK0156		
47	2A	*	D16-0745-08	BELT VDV0373		
49	3B	*	A10-3504-08	LOADING BASE VMD3266		
50	1A	*	A11-1173-08	CLAMPER BASE VMD3263		
51	1A	*	T99-0637-08	MAGNET JSM0048		
52	1A	*	T50-1086-08	CLAMPER BACK YOKE,VMA9535		
53	1A	*	J11-0857-08	CLAMPER VMD3264		
54	1A	*	N19-1507-08	CLAMPER WEIGHT VMA0B93		
55	3A	*	T42-0964-08	LOADING MOTOR UNIT,VEM0664		
56	3B	*	S64-0047-08	DOUBLE SWITCH VSH0170		
61	2C	*	E35-2510-08	SPINDLE FFC VWJ1277		
62	1C	*	T42-0965-08	SPINDLE MOTOR UNIT,VVM0665		
63	2D	*	T42-0966-08	STEPPING MOTOR UNIT,VEM0666		
64	2D	*	G01-4184-08	TILT SPRING VMB3278		
65	3D	*	G02-1696-08	SUB-SHAFT TILT SPRING,VMC1487		
66	2D	*	G02-1697-08	SPRING HOLDER 1,VMC1488		
67	2D	*	G02-1698-08	SPRING HOLDER 2,VMC1489		
68	3D	*	J19-6059-08	FPC HOLDER VMD3261		
69	2C,3C	*	J02-1469-08	FLOATING RUBBER,VMG1166		
70	3C	*	A11-1174-08	TRAVERSE CHASSIS,VMK0474		
71	1C	*	J90-0872-08	GUIDE SHAFT 1 VMS6471		
72	1D	*	J90-0873-08	GUIDE SHAFT 2 VMS6472		
73	1D	*	J91-0504-08	OPTCAL PICK-UP VED0402-1		
74	1D	*	G02-1699-08	SUB-SHAFT PRELOAD SP,VMC1491		
75	1D	*	G02-1700-08	SCREW NUT VMC1490		
76	1D	*	J21-6791-08	NUT VMD3260		
B41	1B	*	N09-5159-08	SCREW VHD1223,B41		
B42	2A	*	N09-3456-08	SCREW XQNQC17+3		
B43	3A	*	N09-5158-08	SCREW XTV3+10G		
B44	2A	*	N09-5160-08	SCREW XTW2+12T		
B45	1A	*	N09-5158-08	SCREW XTV3+10G		
B46	1A	*	N09-5161-08	SCREW XTS3+6J		
B61	1A,2D	*	N09-5162-08	SCREW VHD1224,B61		
B62	3C	*	N09-5163-08	SCREW VHD1295,B62		
B63	1D	*	N09-3462-08	SCREW VHD1057,B63		
B64	1D	*	N09-3456-08	SCREW XQNQC17+3		
B65	3D	*	N09-5164-08	SCREW XXE26C6FN		

L : Scandinavia

K : USA

P : Canada

R : Mexico

C : China

I : Malaysia

Y : PX(Far East,Hawaii)

T : England

E : Europe

G : Germany

V : China(Shanghai)

Y : AAFES(Europe)

X : Australia

Q : Russia

H : Korea

M : Other Areas

⚠ indicates safety critical components.

PARTS LIST

DVF-5020

DVF-5020

SPECIFICATIONS

Alimentación:	CA 110–240 V, 50 Hz/60 Hz
Consumo:	20 W

Sistema de señal: PAL 625/50, PAL 525/60, NTSC

Peso: 3,3 kg

Dimensiones: 440 (An)×268 (Prf)×99 (Al) mm
(excluyendo partes salientes)

Gama de temperaturas de funcionamiento:
+5 a +35°C

Gama de humedad de funcionamiento:
5 a 90% RH (sin condensación)

Discos que se pueden reproducir:

(1) Videodisco DVD

12 cm, una cara, una capa

12 cm, una cara, dos capas

12 cm, dos caras, una capa

8 cm, una cara, una capa

8 cm, una cara, dos capas

8 cm, dos caras, una capa

(2) Disco compacto (CD-DA, disco compacto de vídeo)

Disco de 12 cm

Disco de 8 cm

Salida de vídeo S:

Nivel de salida Y: 1 Vp-p (75Ω)

Nivel de salida C: 0,300 Vp-p (75Ω) (PAL)

Terminal de salida: Terminal S (1 sistema)/AV1

Salida de vídeo:

Nivel de salida: 1 Vp-p (75Ω)

Terminal de salida: Toma de contactos (2 sistemas)/
AV1/AV2

RGB salida de vídeo:

Nivel de salida R: 0,7 Vp-p (75Ω)

Nivel de salida G: 0,7 Vp-p (75Ω)

Nivel de salida B: 0,7 Vp-p (75Ω)

Terminal de salida: AV1

Salida de audio:

Nivel de salida: 2 Vrms (1 kHz, 0 dB)

Terminal de salida: Toma de contactos/AV1/
AV2

Salida mezclada
de 5.1ch (2ch): 1 sistema

Salida discreta de
5.1ch (5.1ch): 1 sistema

Características de la salida de señal de audio:

(1) Respuesta de frecuencia:

•Audio lineal de DVD:

2 Hz a 22 kHz (Muestreo 48 kHz)

2 Hz a 44 kHz (Muestreo 96 kHz)

•CD de audio:

2 Hz a 20 kHz (EIAJ)

(2) Relación señal a ruido:

•CD de audio: 115 dB (EIAJ)

(3) Gama dinámica:

•Audio lineal de DVD: 106 dB

•CD de audio: 100 dB (EIAJ)

(4) Distorsión armónica total:

•CD de audio: 0,002% (EIAJ)

Salida de audio digital:

Salida digital óptica: Conector óptico

Salida digital coaxial: Toma de contactos

Fonocaptor: Longitud de onda: 665 nm

Potencia láserica: CLASS 2

Las especificaciones están sujetas a cambios sin previo aviso.

Los pesos y las dimensiones son aproximados.

Note:

Component and circuit are subject to modification to insure best operation under differing local conditions. This manual is based on Europe (E) standard, and provides information on regional circuit modification through use of alternate schematic diagrams, and information on regional component variations through use of parts list.

KENWOOD CORPORATION

14-6, Dogenzaka 1-chome, Shibuya-ku, Tokyo, 150-8501 Japan

KENWOOD SERVICE CORPORATION

P.O. BOX 22745, 2201 East Dominguez St., Long Beach, CA 90801-5745, U.S.A.

KENWOOD ELECTRONICS CANADA INC.

6070 Kestrel Road, Mississauga, Ontario, Canada L5T 1S8

KENWOOD ELECTRONICS LATIN AMERICA S.A.

P.O. BOX 55-2791, Piso 6 plaza Chase, Cl. 47 y Aquilino de la Guardia Panama, Republic de Panama

KENWOOD ELECTRONICS BRASIL LTDA.

Av. Moema, 170-17, Andar-Cobertura "B", Ed. Maximum Service Center, 04077-020 Moema, São Paulo-SP-Brasil

KENWOOD ELECTRONICS U.K. LIMITED

KENWOOD House, Dwight Road, Watford, Herts., WD1 8EB., United Kingdom

KENWOOD ELECTRONICS BELGUM N.V.

Meachelsesteenweg 418, B-1930 Zaventem, Belgium

KENWOOD ELECTRONICS DEUTSCHLAND GMBH

Rembrücker Str. 15, 63150 Heusenstamm, Germany

KENWOOD ELECTRONICS FRANCE S.A.

13 Boulevard Ney, 75018 Paris, France

KENWOOD ELECTRONICS ITALIA S.p.A.

Via G. Sirtori, 7/9 20129, Milano, Italy

KENWOOD IBÉRICA S.A.

Bolivia, 239-08020 Barcelona, Spain

KENWOOD ELECTRONICS AUSTRALIA PTY. LTD.

(A.C.N. 001 499 074)
16 Giffnock Avenue, North Ryde, N.S.W. 2113, Australia

KENWOOD ELECTRONICS (HONG KONG) LTD.

Unit 3712-3724, Level 37, Tower 1, Metroplaza, 223 Hing Fong Road, Kwai Fong N.T., Hong Kong

KENWOOD ELECTRONICS GULF FZE

P.O.Box 61318, Jebel Ali, Dubai, U.A.E.

KENWOOD ELECTRONICS SINGAPORE PTE LTD.

No. 1 Genting Lane #02-02, KENWOOD Building, Singapore, 349544

KENWOOD ELECTRONICS (MALAYSIA) SDN BHD.

#4.01 Level 4, Wisma Academy Lot 4A, Jalan 19/1 46300 Petaling Jaya Selangor Darul Ehsan Malaysia

KENWOOD ELECTRONICS (THAILAND) CO., LTD.

2019 New Pechburi Road, Bangkapi, Huaykwang, Bangkok, 10320 Thailand