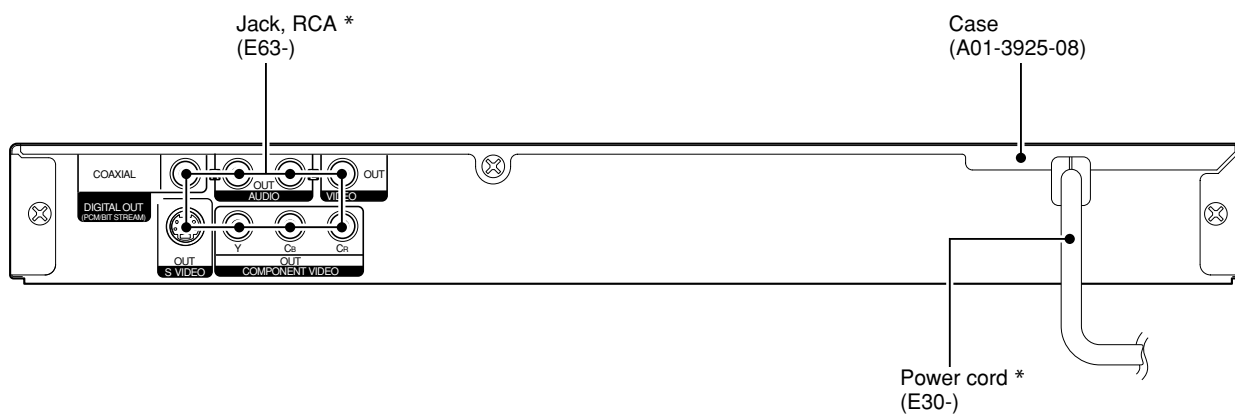
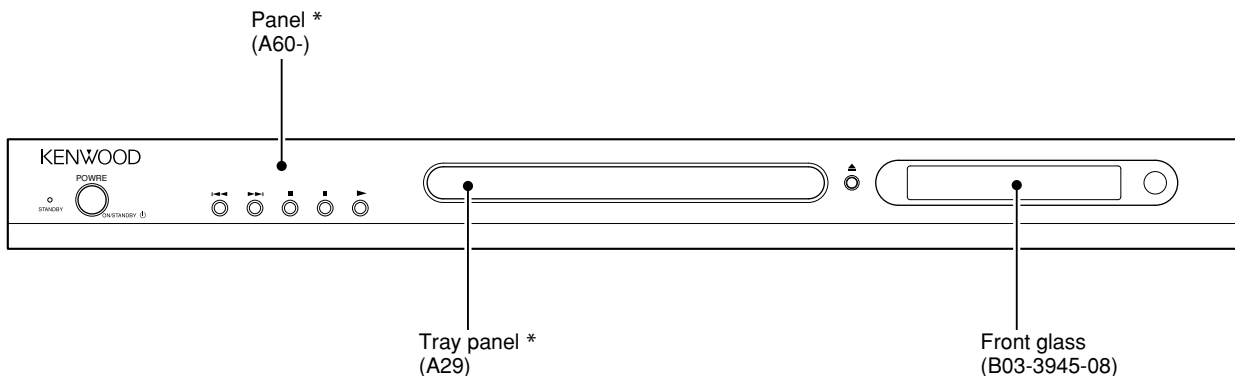


# DVF-3080-S/8100

## SERVICE MANUAL



**\* Refer to parts list on page 31.**

In compliance with Federal Regulations, following are reproduction of labels on, or inside the product relating to laser product safety.

**Caution :** No connection of ground line if disassemble the unit. Please connect the ground line on rear panel, PCBs, Chassis and some others.

KENWOOD Corp. certifies this equipment conforms to DHHS Regulations No.21 CFR 1040. 10, Chapter 1, subchapter J.  
**DANGER : Laser radiation when open and interlock defeated. AVOID DIRECT EXPOSURE TO BEAM.**



# DVF-3080-S/8100

## CONTENTS / ACCESSORIES / CAUTIONS

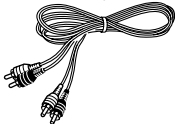
### CONTENTS

CONTENTS / ACCESSORIES / CAUTIONS.....	2	PC BOARD .....	19
DISASSEMBLY FOR REPAIR.....	3	CIRCUIT VOLTAGE CHART .....	21
BLOCK DIAGRAM .....	4	SCHEMATIC DIAGRAM .....	23
DECK MECHANISM .....	7	EXPLODED VIEW .....	30
ELECTRICAL TROUBLESHOOTING GUIDE .....	11	PARTS LIST.....	31
WAVEFORMS.....	15	SPECIFICATIONS.....	BACK COVER

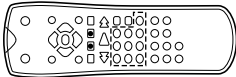
### ACCESSORIES

Please confirm that the following accessories are present.

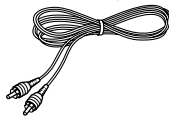
Audio cord (Red, White) ...(1)  
(E30-7334-08) : K,P,Y  
(E30-7335-08) : E,X



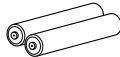
Remote control unit ...(1)  
(A70-1660-08)



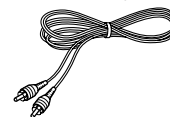
Video cable(Yellow) ...(1)  
(E30-7332-08) : K,P,Y  
(E30-7333-08) : E,X



Batteries (R03/"AAA" -size) ...(2)



Coaxial cable (Black) ...(1)  
(E30-7336-08) : E,X  
(E30-7337-08) : K,P,Y



### CAUTIONS

#### **Operation to reset**

The microprocessor may fall into malfunction (impossibility to operate erroneous display, etc.) when the power cord is unplugged while power is ON or due to an external factor.  
In this case, switch off the power, wait for several seconds, and then switch the power on again.

#### **Note related to transportation and movement**

Before transporting or moving this unit, carry out the following operations.

1. Set the **POWER ON/OFF** switch to the **ON** without loading a disc.
2. Wait a few seconds and verify that the display shown appears.

**"NO DISC"**

3. Set the **POWER ON/OFF** switch to OFF.

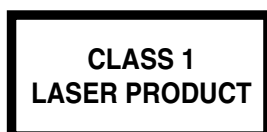
#### **Caution on condensation**

Condensation (of dew) may occur inside the unit when there is a great difference in temperature between this unit and the outside. This unit may not function properly if condensation occurs. In this case, leave the unit for a few hours and restart the operation after the condensation has dried up.

Be specially cautious against condensation in the following circumstances:

When this unit is carried from one place to another across a large difference in temperature, when the humidity in the room where this unit is installed increases, etc.

#### **The marking of products using lasers** (For countries other than U.S.A. and U.S.-Military)



The marking this product has been classified as Class 1. It means that there is no danger of hazardous radiation outside the product.  
Location: Back panel

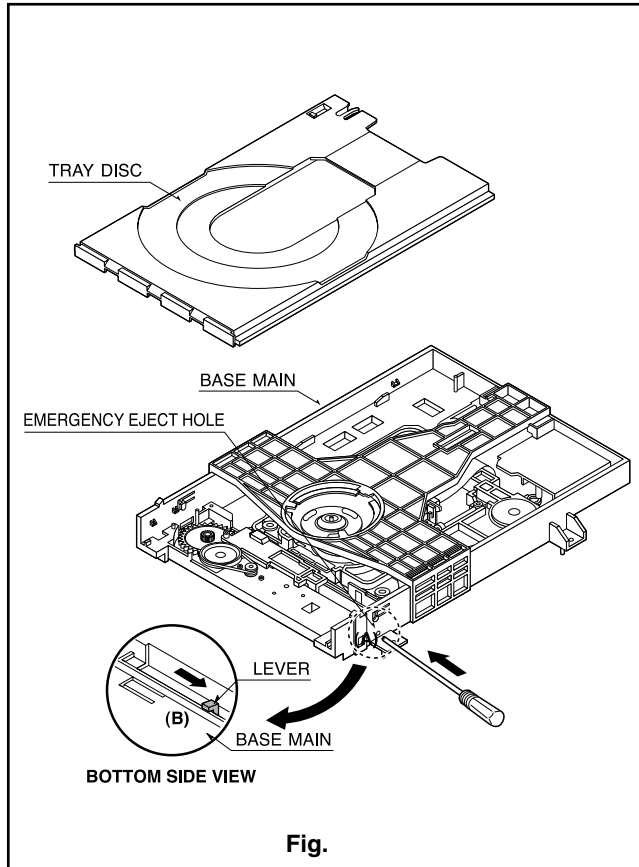
**Manufactured under license from Dolby Laboratories.**  
"Dolby" and the double-D symbol are trademarks of Dolby Laboratories.

"DTS" and "DTS Digital Out" are registered trademarks of Digital Theater Systems, Inc.



# DVF-3080-S/8100

## DISASSEMBLY FOR REPAIR



- 1) Insert and push a Driver in the emergency eject hole(A) at the right side, or put the Driver on the Lever(B) of the Gear Emergency and pull the Lever(B) in direction of arrow so that the Tray Disc is ejected about 15~20mm.
- 2) Pull the Tray Disc until it is separated from the Base Main completely.

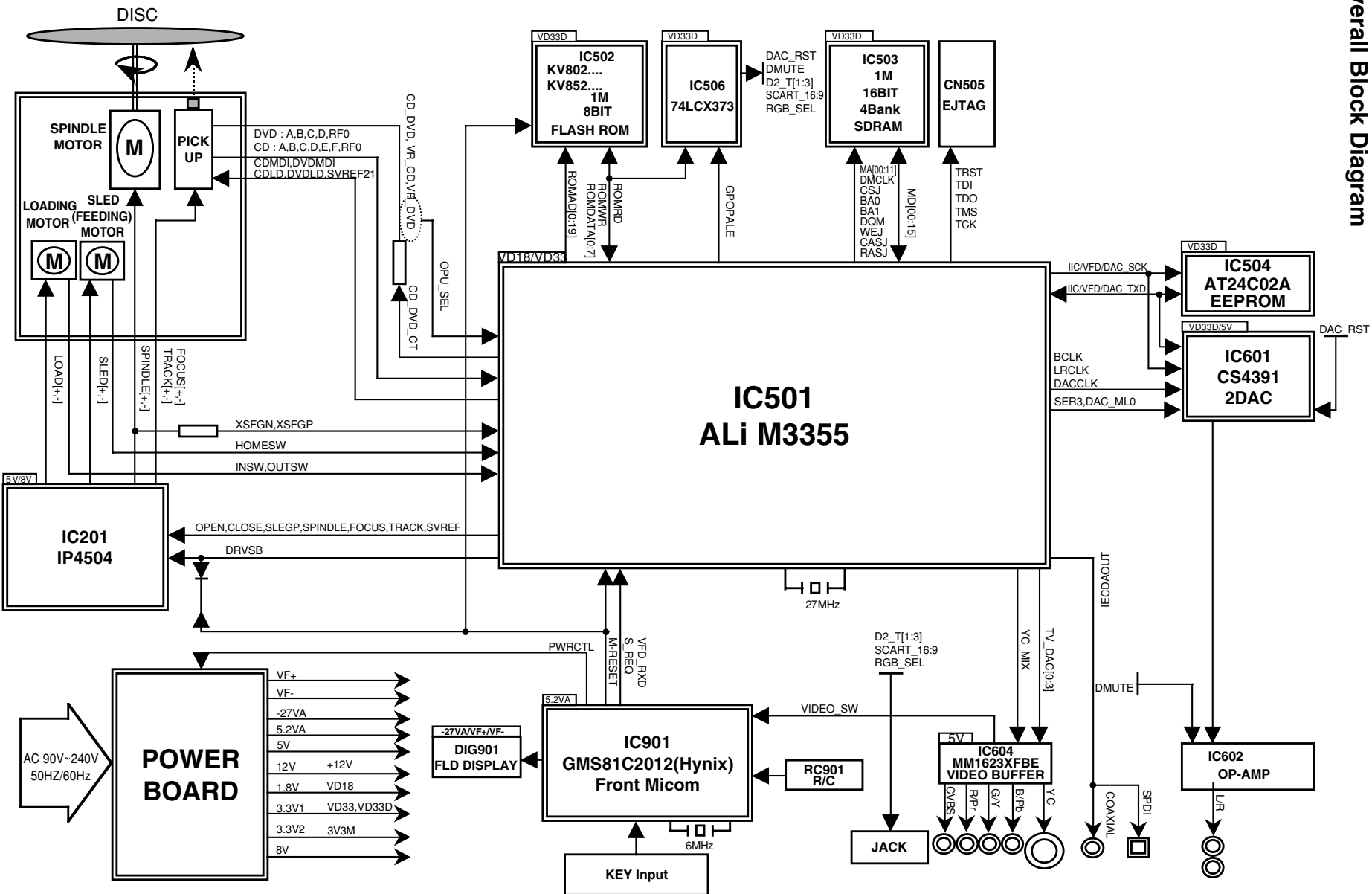
### How to Reset Parental Lock.

1. Connect the TV set to DVF-3080.
2. Push the power switch of DVF-3080 to be on.
3. Check the display of DVF-3080 shown "NO DISC".
4. Push the "SETUP" key of remote control and TV has "set up menu"
5. Select the "16:9" on TV.
6. Push #key 1 3 9 7 1 3 9 and ENTER.  
Push #key again if mistype.
7. Push the power switch of DVF-3080 to be off.

# DVF-3080-S/8100

## BLOCK DIAGRAM

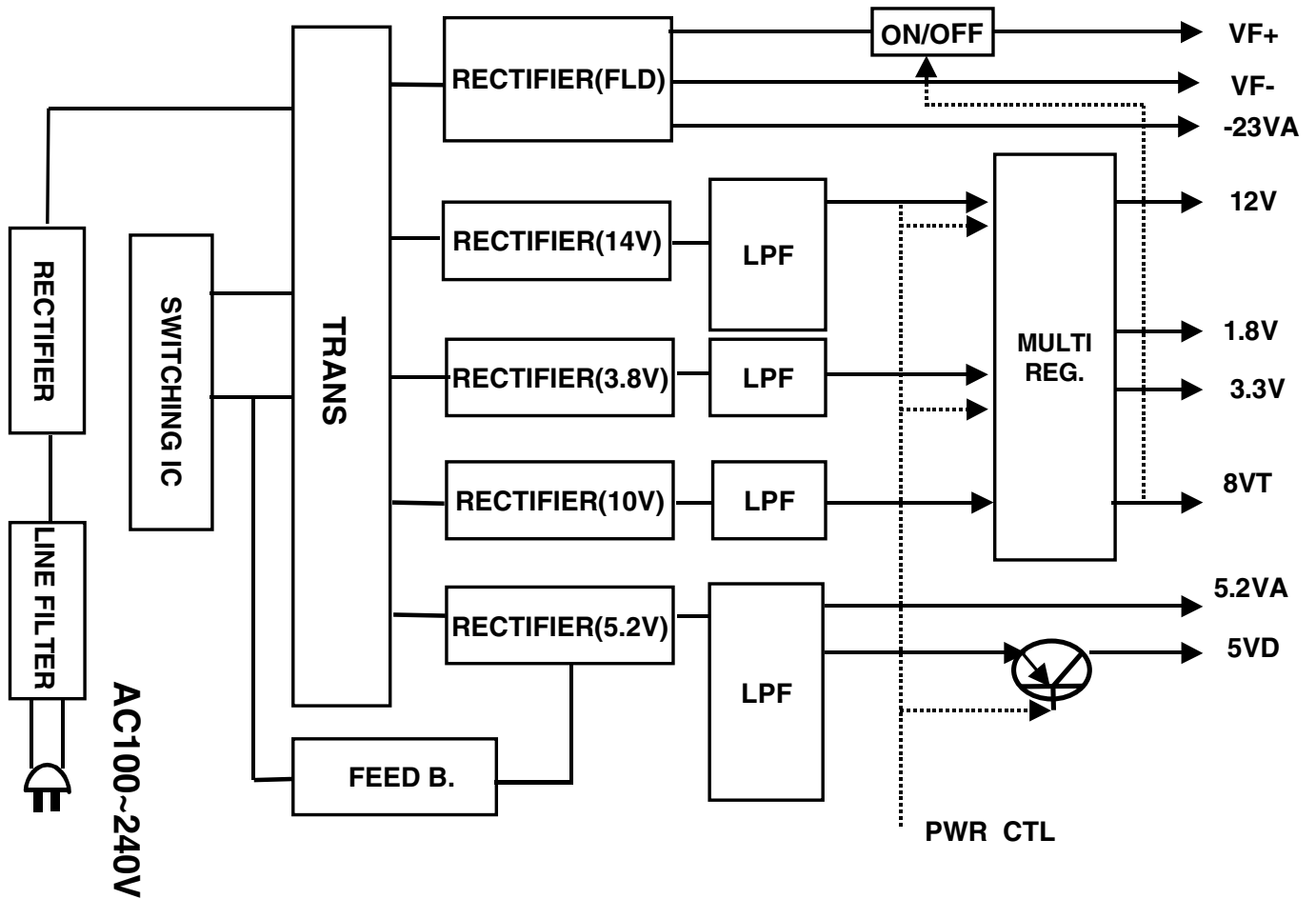
### 1. Overall Block Diagram



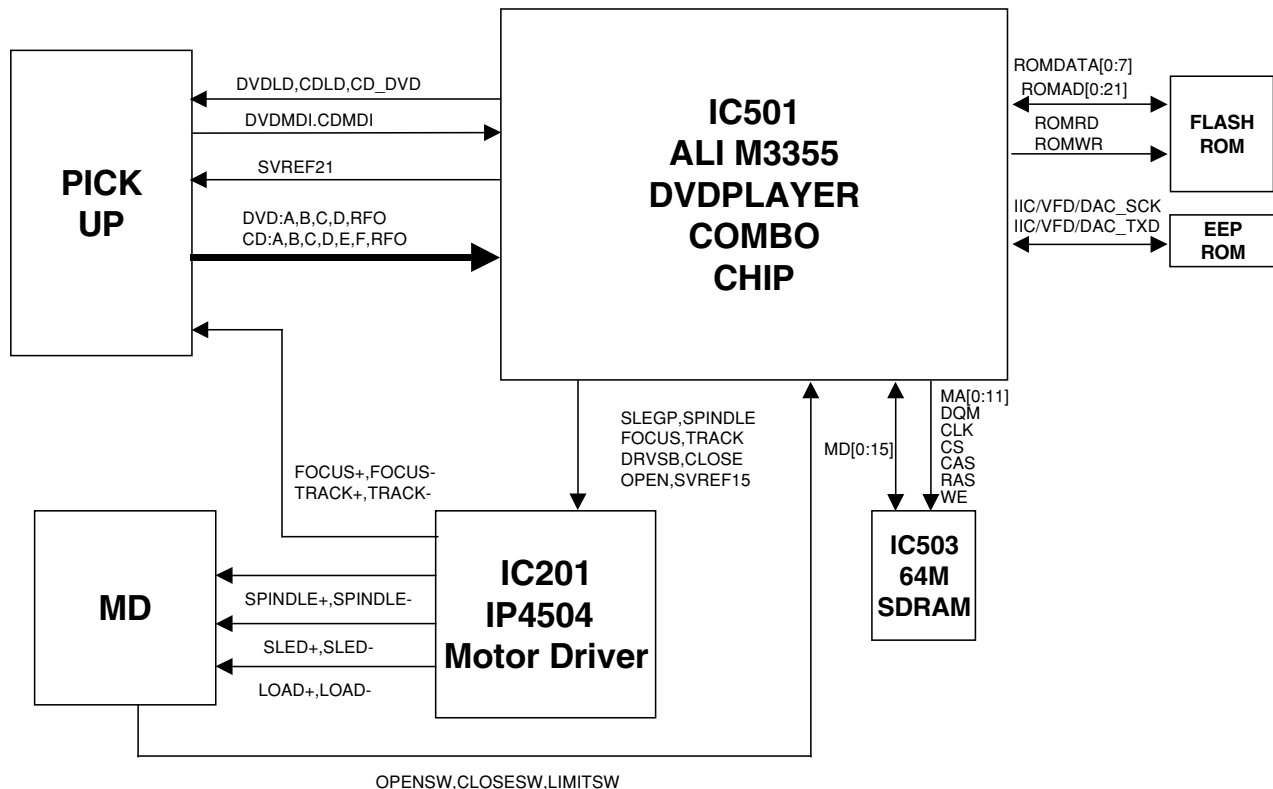
# DVF-3080-S/8100

## BLOCK DIAGRAM

### 2. Power(SMPS) Block Diagram



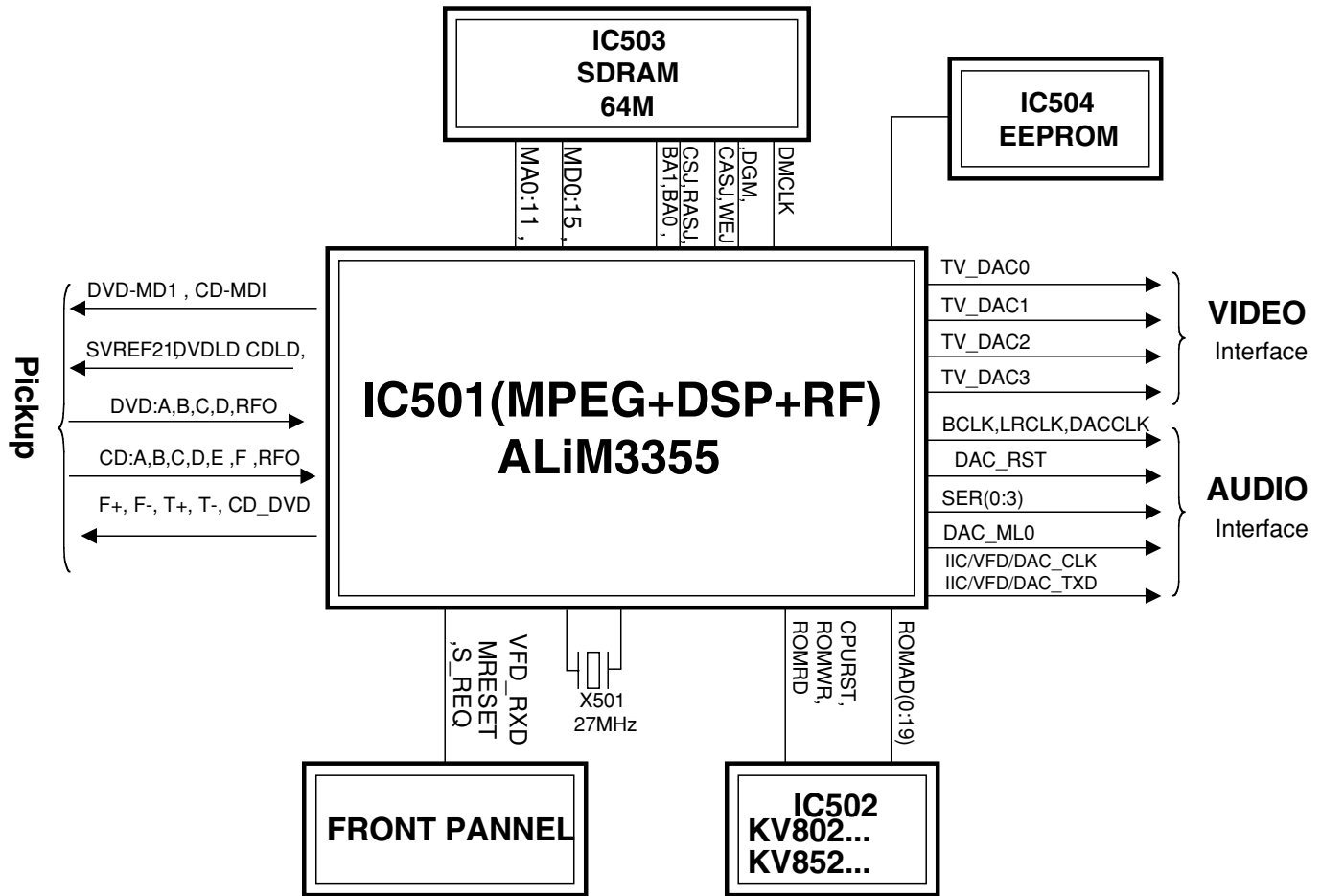
### 3. SERVO Block Diagram



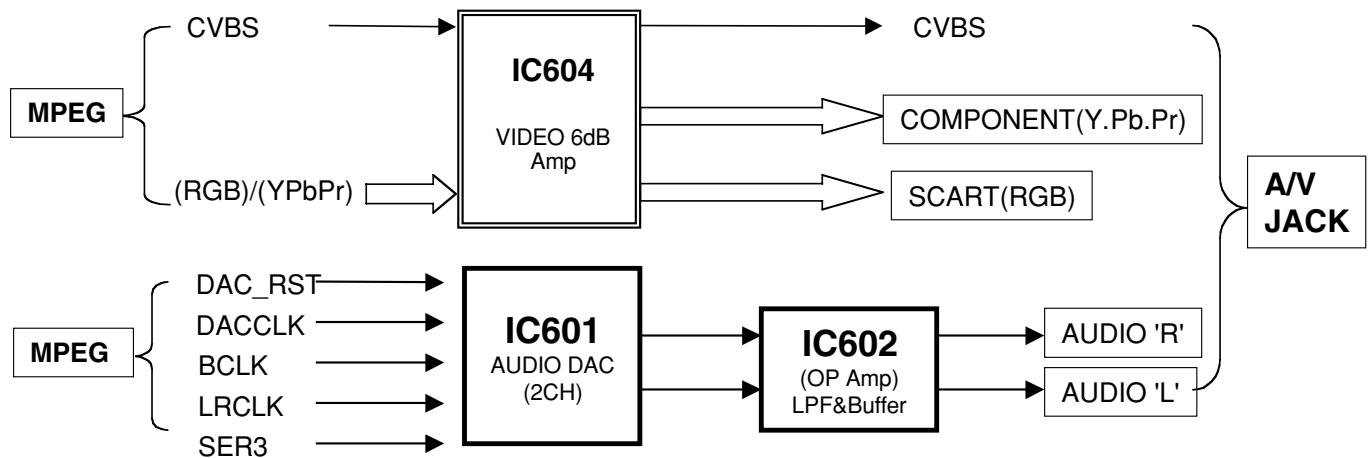
# DVF-3080-S/8100

## BLOCK DIAGRAM

### 4. MPEG & MEMORY Block Diagram



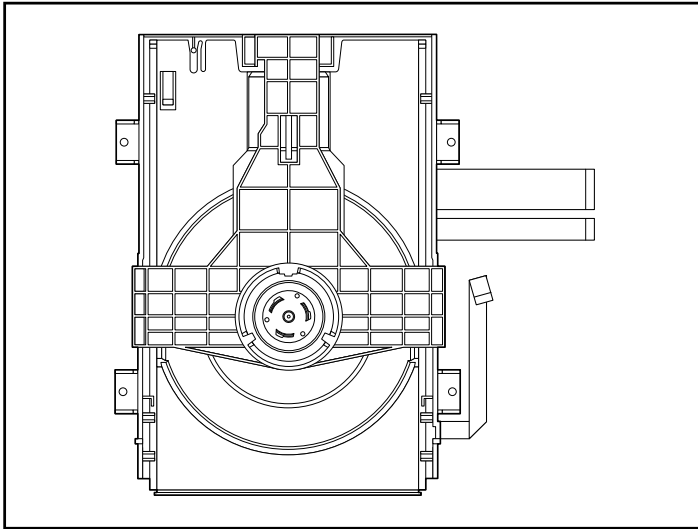
### 5. VIDEO & AUDIO Block Diagram



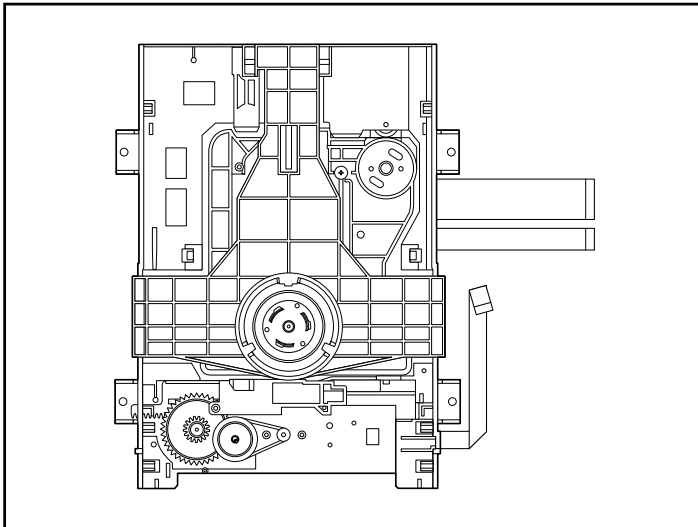
# DVF-3080-S/8100

## DECK MECHANISM PARTS LOCATION

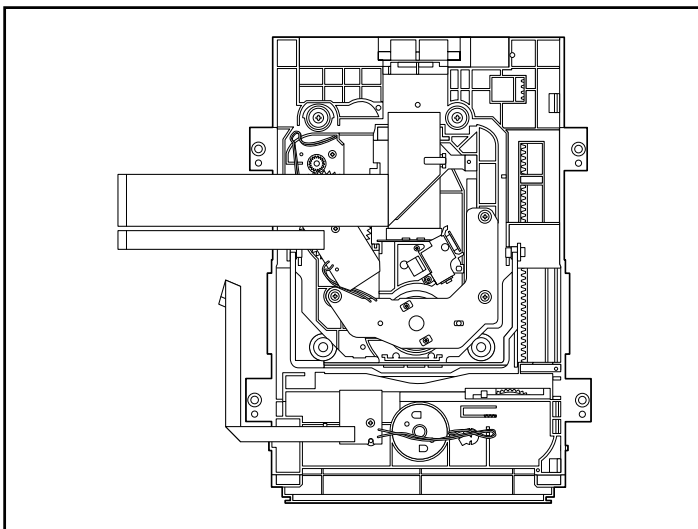
### • Top View (With Tray)



### • Top View (Without Tray)



### • Bottom View



Procedure		Parts	Fixing Type	Disassembly	Figure
Starting No.					
	1	Main Base			4-1
1	2	Clamp Assembly Disc			4-1
1, 2	3	Plate Clamp			4-1
1, 2, 3	4	Magnet Clamp			4-1
1, 2, 3, 4	5	Clamp Upper			4-1
1	6	Tray Disc			4-2
1, 6	7	Base Assembly Sled			4-3
1, 2, 6	8	Gear Feed	4 Screws, 1 Connector 1 Locking Tabs		4-3
1, 2, 6, 8	9	Gear Middle			4-3
1, 2, 6, 8, 9	10	Gear Rack	1 Screw		4-3
1, 2, 7	11	Rubber Rear			4-3
1, 2, 7	12	Frame Assembly Up/Down	1 Screw	Bottom	4-4
1, 2	13	Belt Loading	1 Locking Tab		4-4
1, 2, 13	14	Gear Pulley			4-4
1, 2, 13, 14	15	Gear Loading	1 Locking Tab		4-4
1, 2, 7, 12,	16	Guide Up/Down			4-4
13, 14 1, 2, 13	17	PWB Assembly Loading	1 Locking Tab 1 Hook 2Screw	Bottom	4-4
1, 2, 7, 12, 13, 14, 15, 16, 17	18	Base Main	2 Locking Tabs		4-4

#### Note

When reassembling, perform the procedure in reverse order.

The "Bottom" on Disassembly column of above Table indicates the part should be disassembled at the Bottom side.

# DVF-3080-S/8100

## DECK MECHANISM DISASSEMBLY

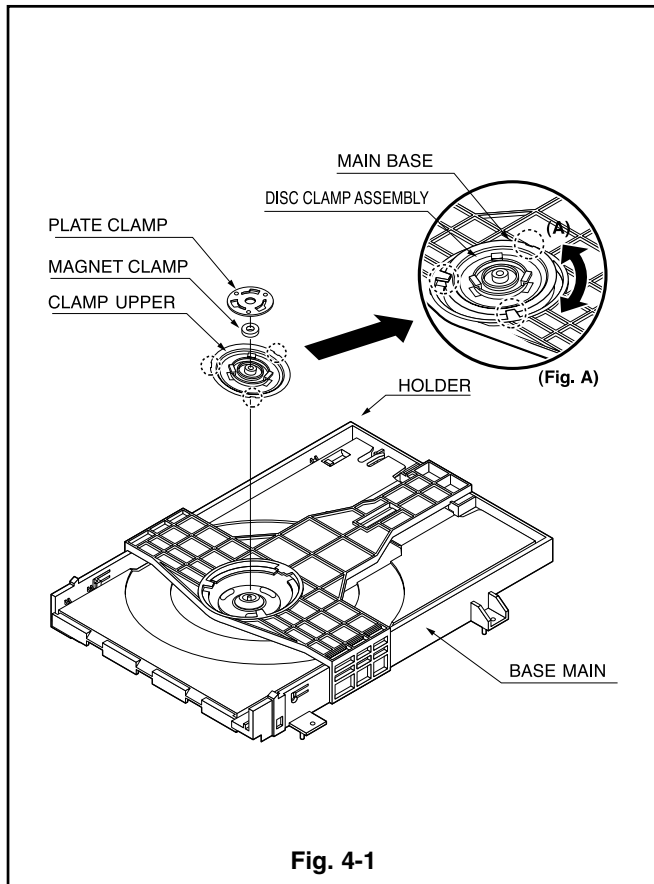


Fig. 4-1

### 1. Main Base (Fig. 4-1)

#### 1-1. Clamp Assembly Disc

- 1) Place the Clamp Assembly Disc as Fig. (A)
- 2) Lift up the Clamp Assembly Disc in direction of arrow(A).
- 3) Separate the Clamp Assembly Disc from the Holder Clamp.

#### 1-1-1. Plate Clamp

- 1) Turn the Plate Clamp to counterclockwise direction and then lift up the Plate Clamp.

#### 1-1-2. Magnet Clamp

#### 1-1-3. Clamp Upper

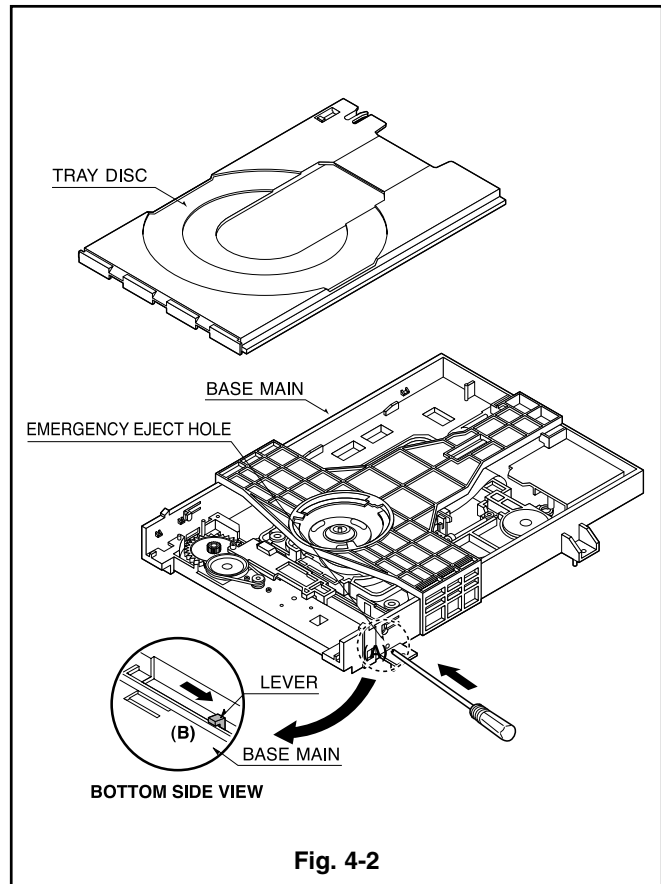


Fig. 4-2

### 2. Tray Disc (Fig. 4-2)

- 1) Insert and push a Driver in the emergency eject hole(A) at the right side, or put the Driver on the Lever(B) of the Gear Emergency and pull the Lever(B) in direction of arrow so that the Tray Disc is ejected about 15~20mm.
- 2) Pull the Tray Disc until it is separated from the Base Main completely.



# DVF-3080-S/8100

## DECK MECHANISM DISASSEMBLY

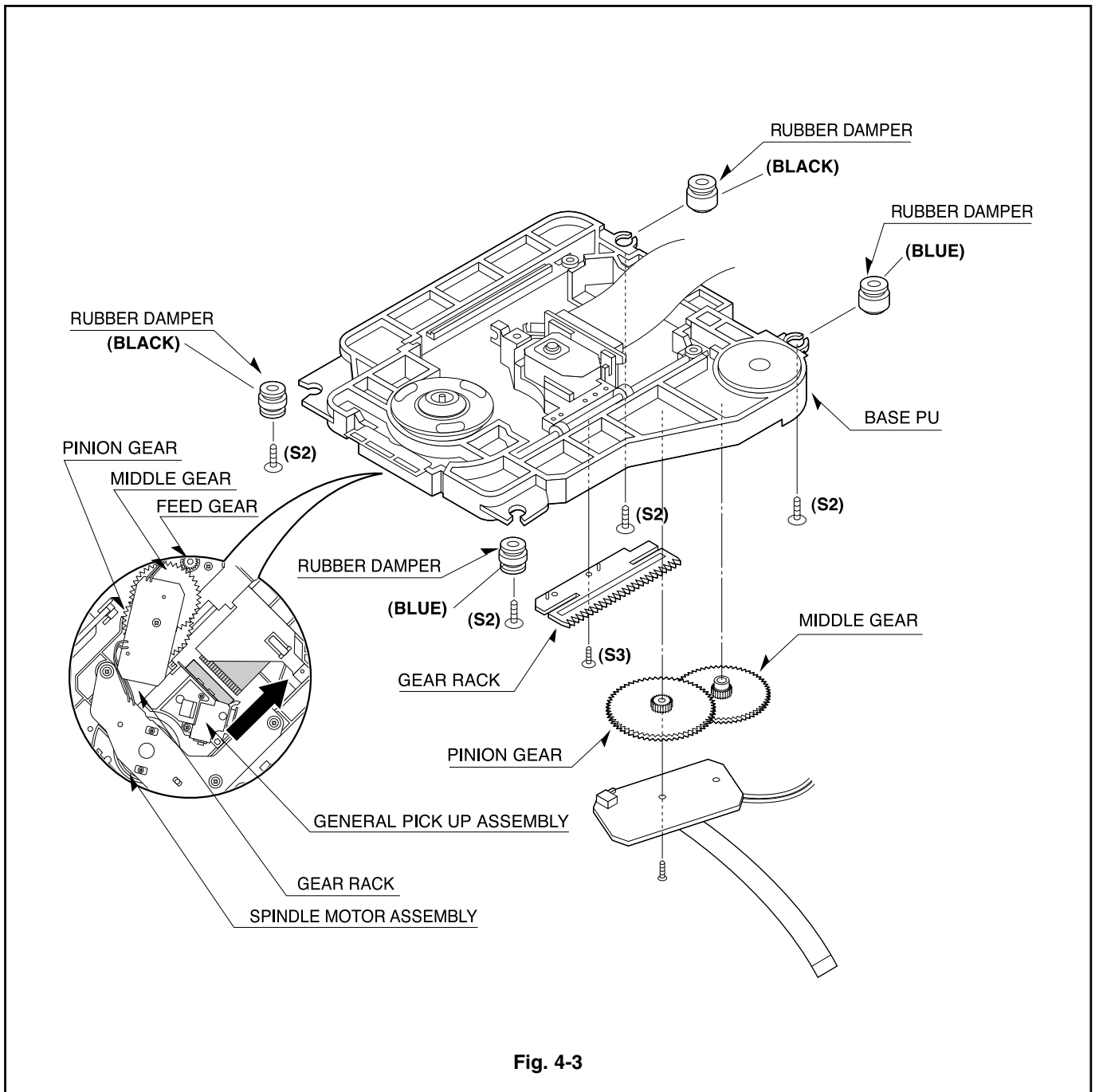


Fig. 4-3

### 3. Base Assembly Sled (Fig. 4-3)

- 1) Release 4 Screw(S2).
- 2) Disconnect the FFC Connector(C1)

#### 3-1. Gear Feed

#### 3-2. Gear Middle

### 3-3. Gear Rack

- 1) Release the Scerw(S3)

### 4. Rubber Rear (Fig. 4-3)

# DVF-3080-S/8100

## DECK MECHANISM DISASSEMBLY

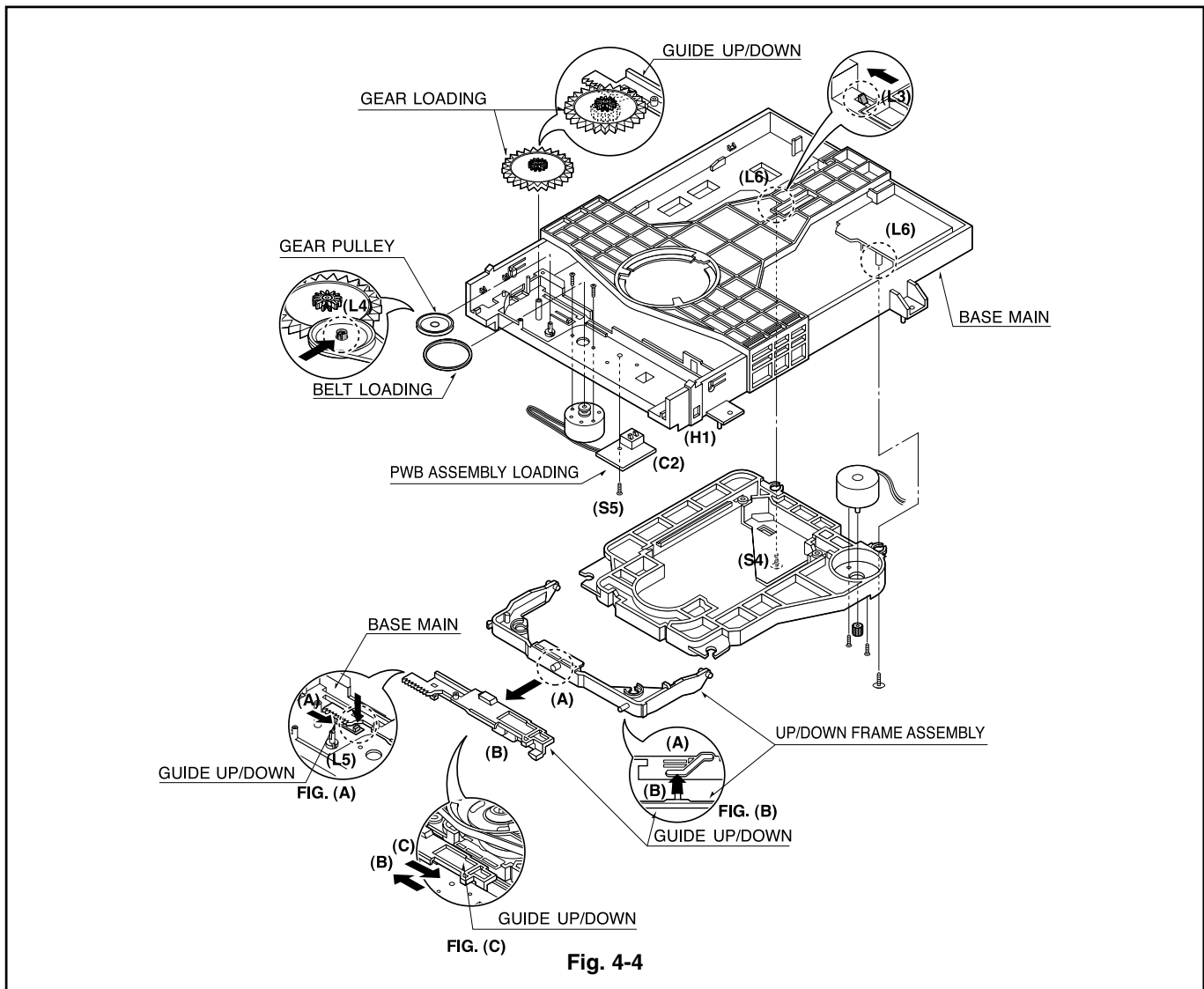


Fig. 4-4

### 5. Frame Assembly Up/Down (Fig. 4-4)

#### Note

Put the Base Main face down(Bottom Side)

- 1) Release the screw(S4)
- 2) Unlock the Locking Tab(L3) in direction of arrow and then lift up the Frame Assembly Up/Down to separate it from the Base Main.

#### Note

- When reassembling move the Guide Up/Down in direction of arrow(C) until it is positioned as Fig.(C).
- When reassembling insert (A) portion of the Frame Assembly Up/Down in the (B) portion of the Guide Up/Down as Fig.(B)

### 6. Belt Loading(Fig. 4-4)

#### Note

Put the Base Main on original position(Top Side)

### 7. Gear pulley (Fig. 4-4)

- 1) Unlock the Locking Tab(L4) in direction of arrow(B) and then separate the Gear Pulley from the Base Main.

### 8. Gear Loading (Fig. 4-4)

### 9. Guide Up/Down (Fig. 4-4)

- 1) Move the Guide Up/Down in direction of arrow(A) as Fig.(A)
- 2) Push the Locking Tab(L5) down and then lift up the Guide Up/Down to separate it from the Base Main.

#### Note

When reassembling place the Guide Up/Down as Fig.(C) and move it in direction arrow(B) until it is locked by the Locking Tab(L5). And confirm the Guide Up/Down as Fig.(A)

### 10. PWB Assembly Loading (Fig. 4-4)

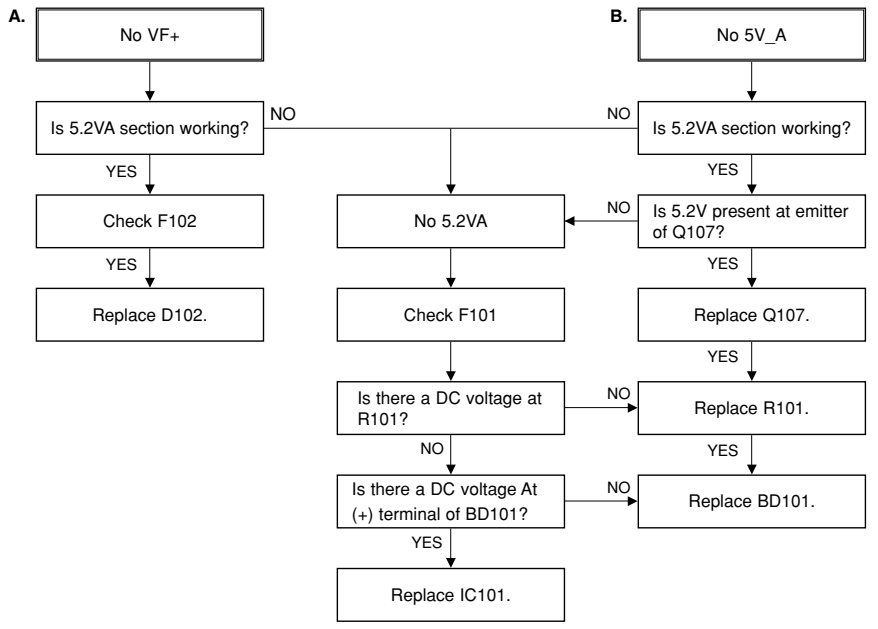
#### Note

Put the Base Main face down(Bottom Side)

- 1) Release 1 Screws(S5)
- 2) Unlock the Loading Motor (C2) from the Hook (H1) on the Base Main.
- 3) Unlock 2 Locking Tabs(L6) and separate the PWB Assembly Loading from the Base Main.

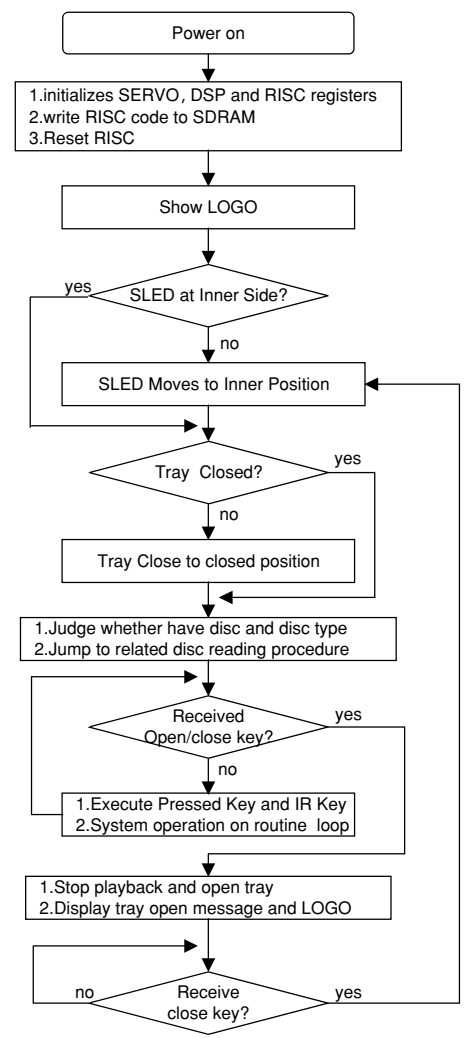
### 11. Base Main(Fig. 4-4)

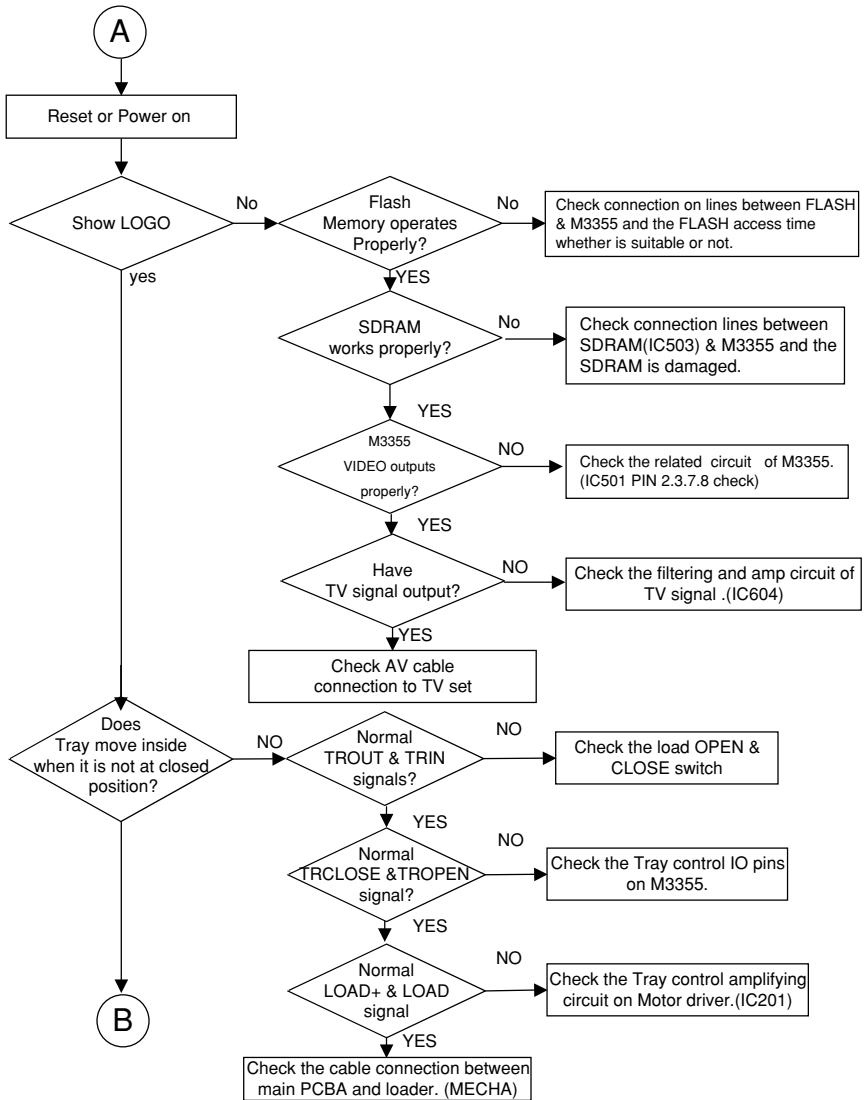
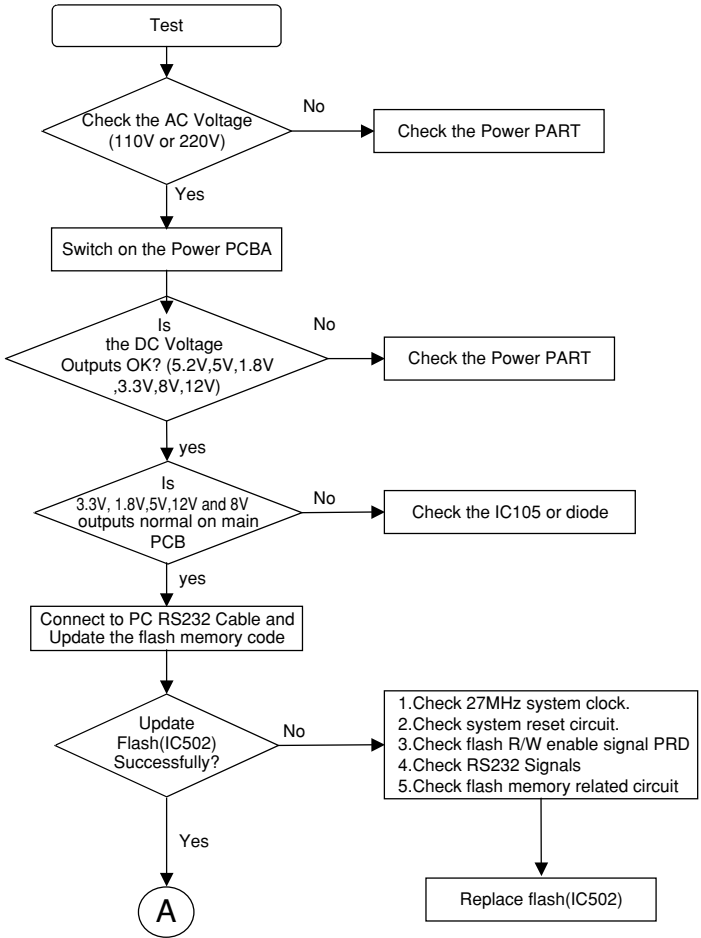
### 1. Power check flow

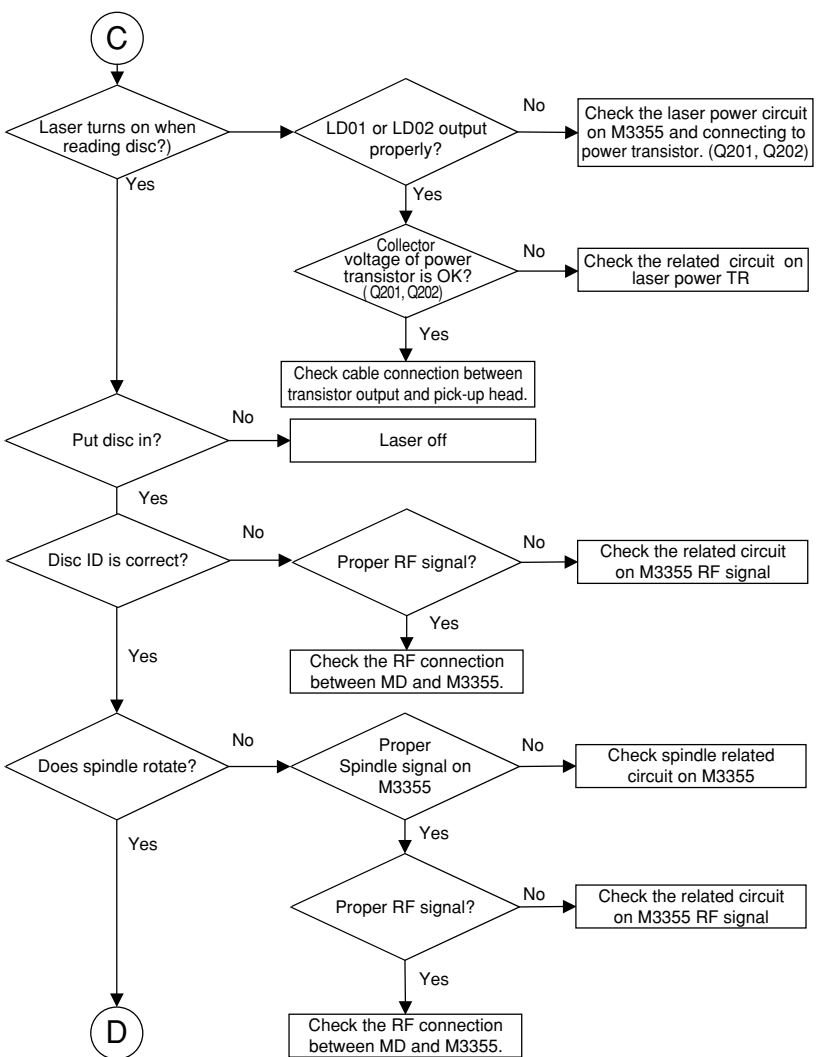
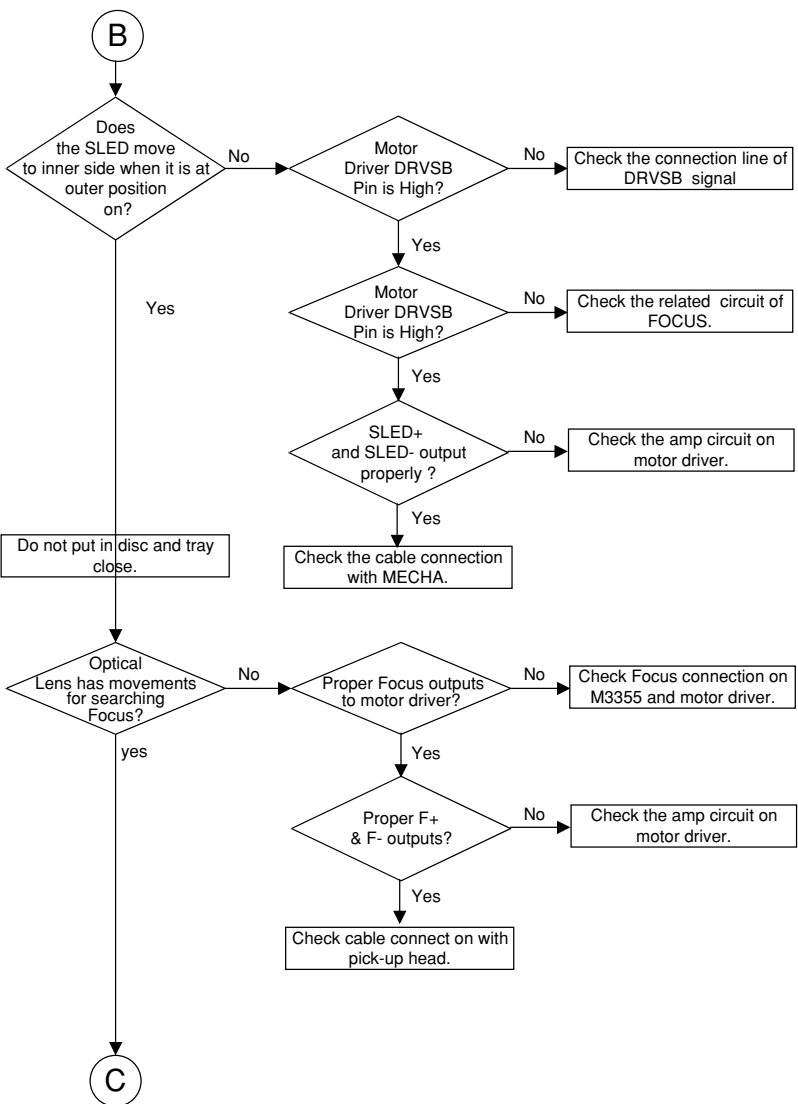


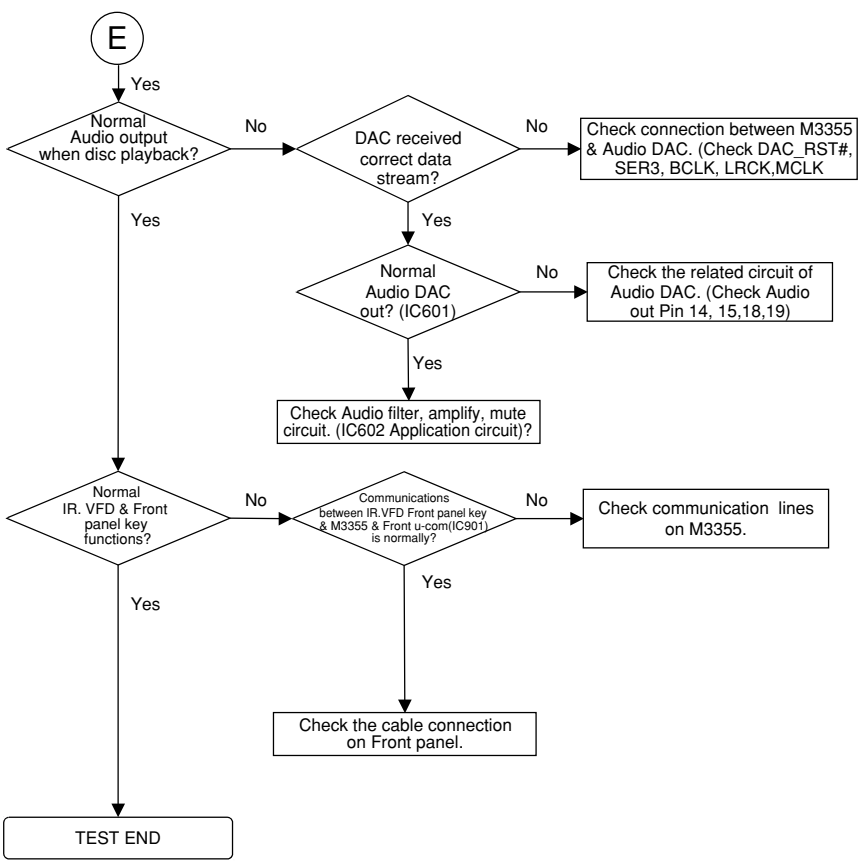
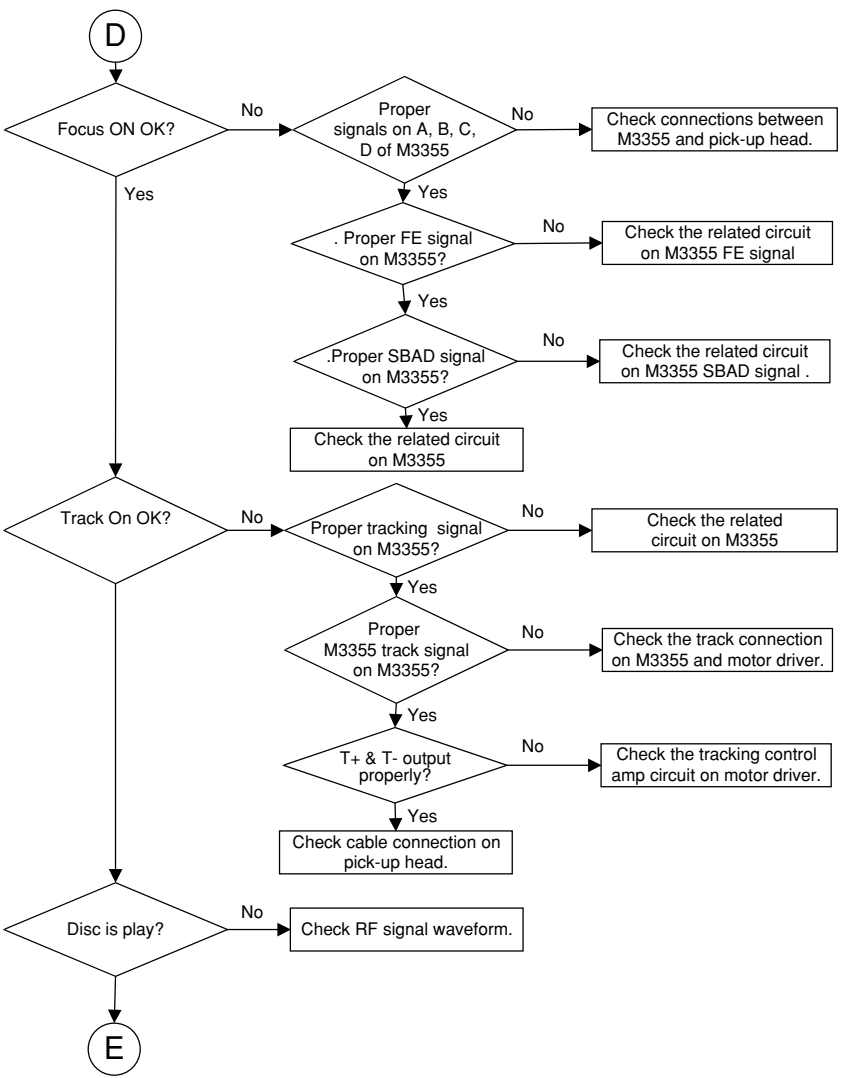
note: This Troubleshooting has various information.

### 2. System operation flow









# DVF-3080-S/8100

## WAVEFORMS

### 1. SYSTEM 27MHz CLOCK, RESET SIGNAL

1) M3355 main clock is at 27MHz(X501)

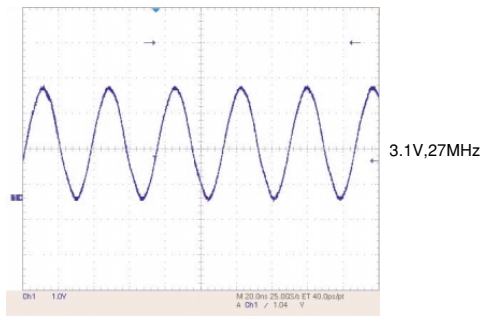


FIG 1-1

2) M3355 reset is low active

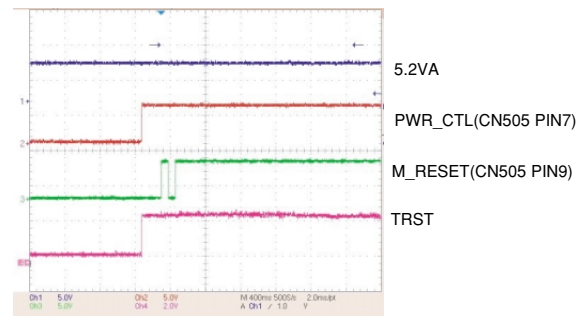


FIG 1-2

### 2. SDRAM CLOCK

1) SDRAM clock is at 135MHz

CLK=135MHz, Vp-p=3.3V

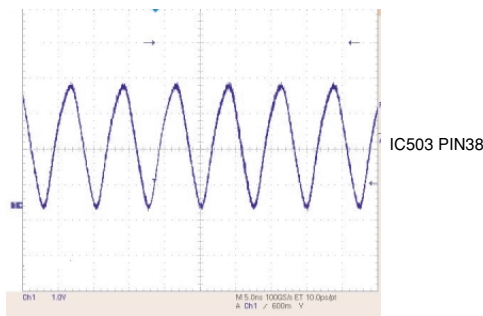


FIG 2-1

### 3. TRAY OPEN/CLOSE SIGNAL

1) Tray open/close waveform

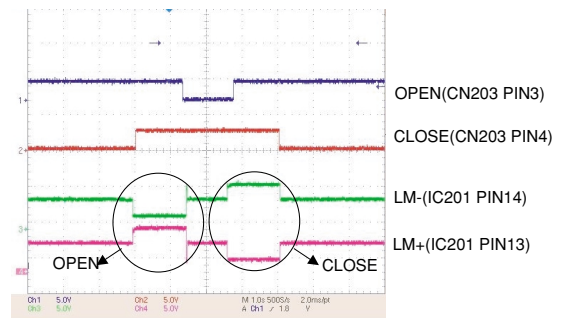


FIG 3-1

2) Tray open waveform

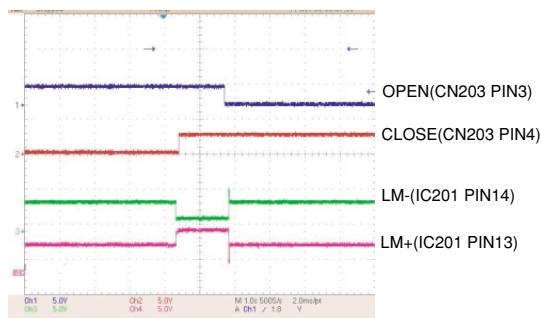


FIG 3-2

3) Tray close waveform

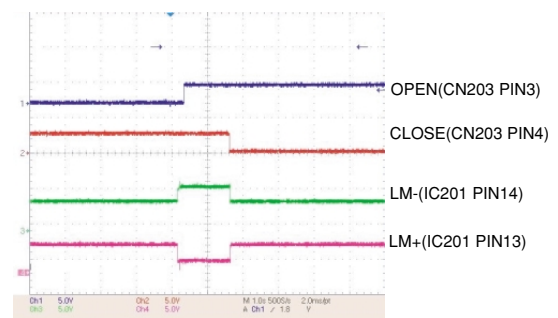


FIG 3-3

### 4. SLED CONTROL RELATED SIGNAL(NO DISC CONDITION)

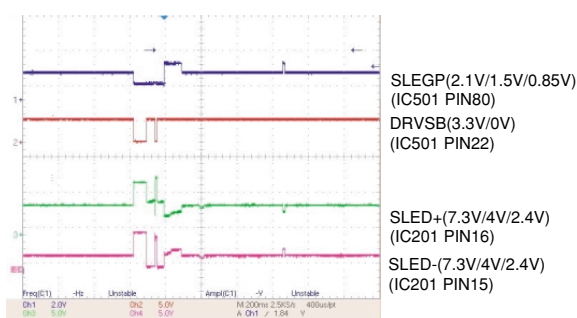


FIG 4-1

### 5. LENS CONTROL RELATED SIGNAL(NO DISC CONDITION)

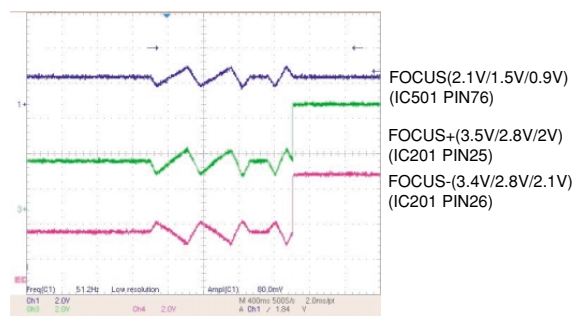


FIG 5-1

# DVF-3080-S/8100

## WAVEFORMS

### 6. LASER POWER CONTROL RELATED SIGNAL(NO DISC CONDITION)

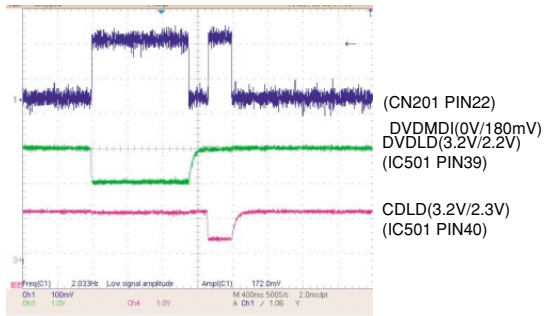


FIG 6-1

### 7. DISC TYPE JUDGEMENT WAVEFORM

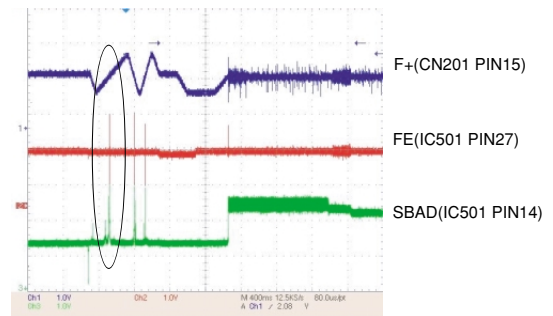


FIG 7-1(DVD)

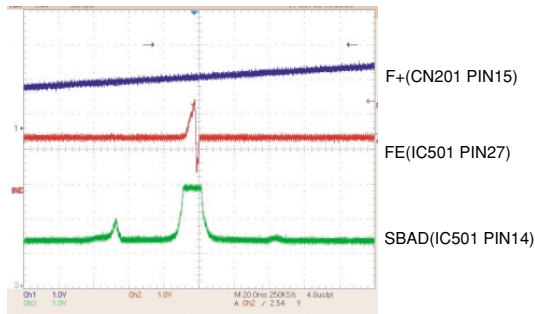


FIG 7-2(DVD)

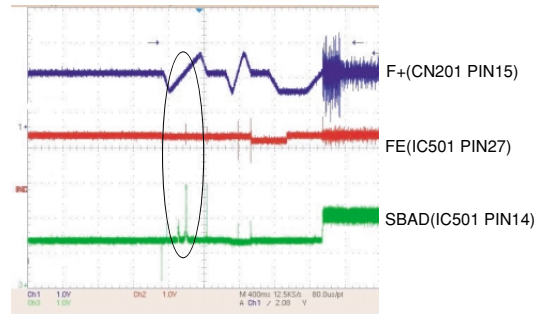


FIG 7-3 (CD)

### 8. FOCUS ON WAVEFORM

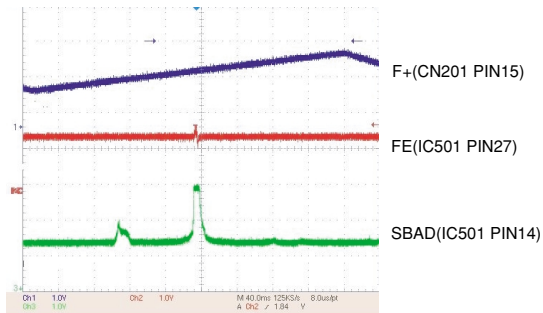


FIG 7-4 (CD)

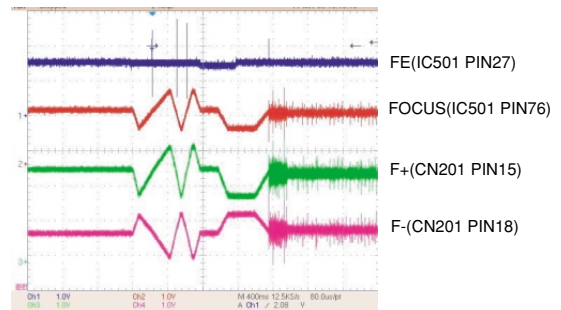


FIG 8-1 (DVD)

### 9. SPINDLE CONTROL WAVEFORM (NO DISC CONDITION)

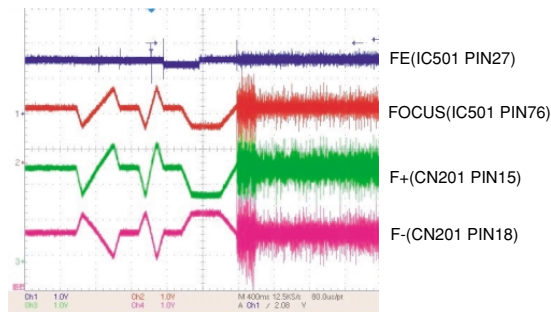


FIG 8-2 (CD)

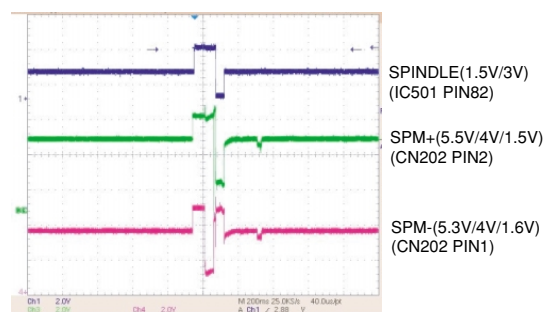


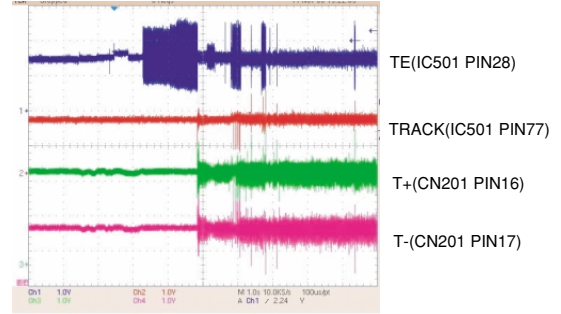
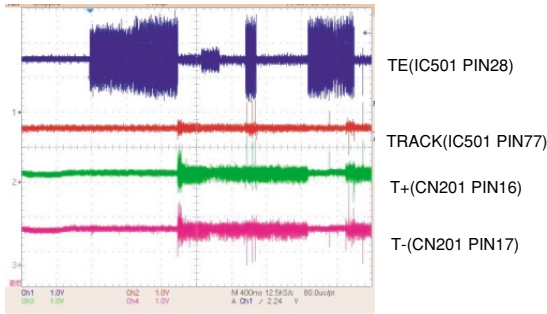
FIG 9-1 (DVD)



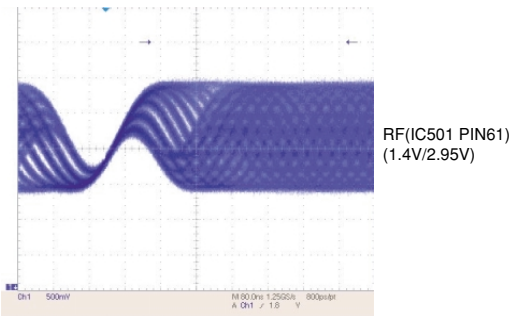
# DVF-3080-S/8100

## WAVEFORMS

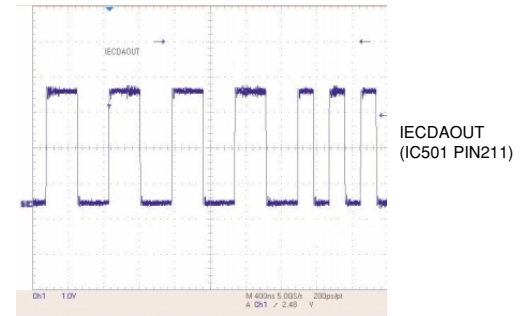
### 10. TRACKING CONTROL RELATED SIGNAL(System checking)



### 11. RF WAVEFORM

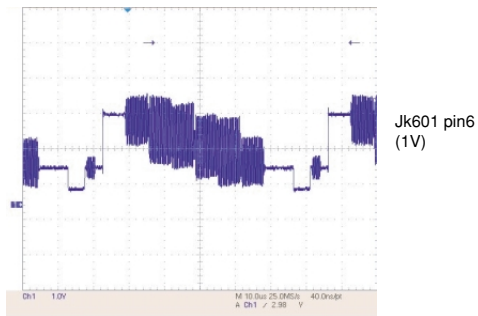


### 12. M3355 AUDIO OPTICAL AND COAXIAL OUTPUT(ASPDIF)

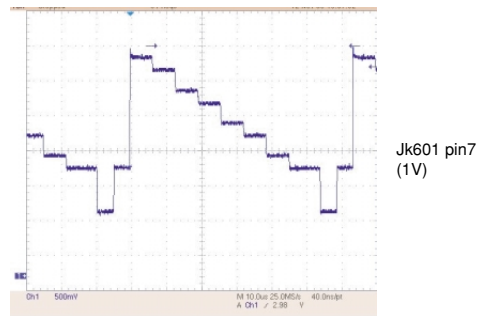


### 13.M3355 VIDEO OUTPUT WAVEFORM

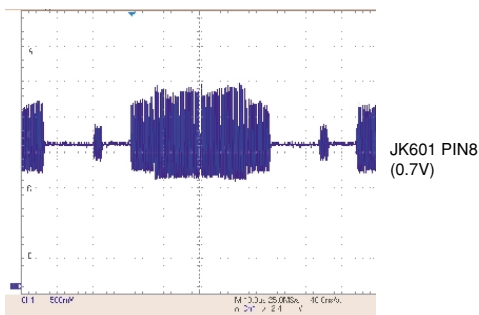
#### 1) Full colorbar signal(CVBS)



#### 2) Y

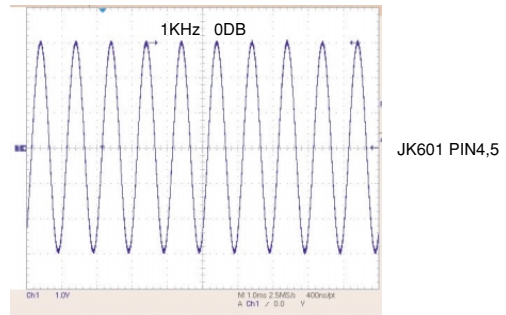


#### 3) C



### 14. AUDIO OUTPUT FROM AUDIO DAC

#### 1) AUDIO L/R



# DVF-3080-S/8100

## WAVEFORMS

### 2) Audio Related Signal

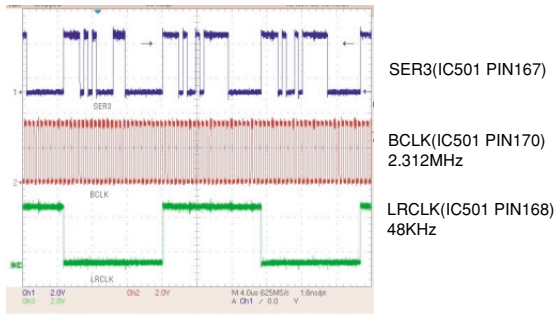
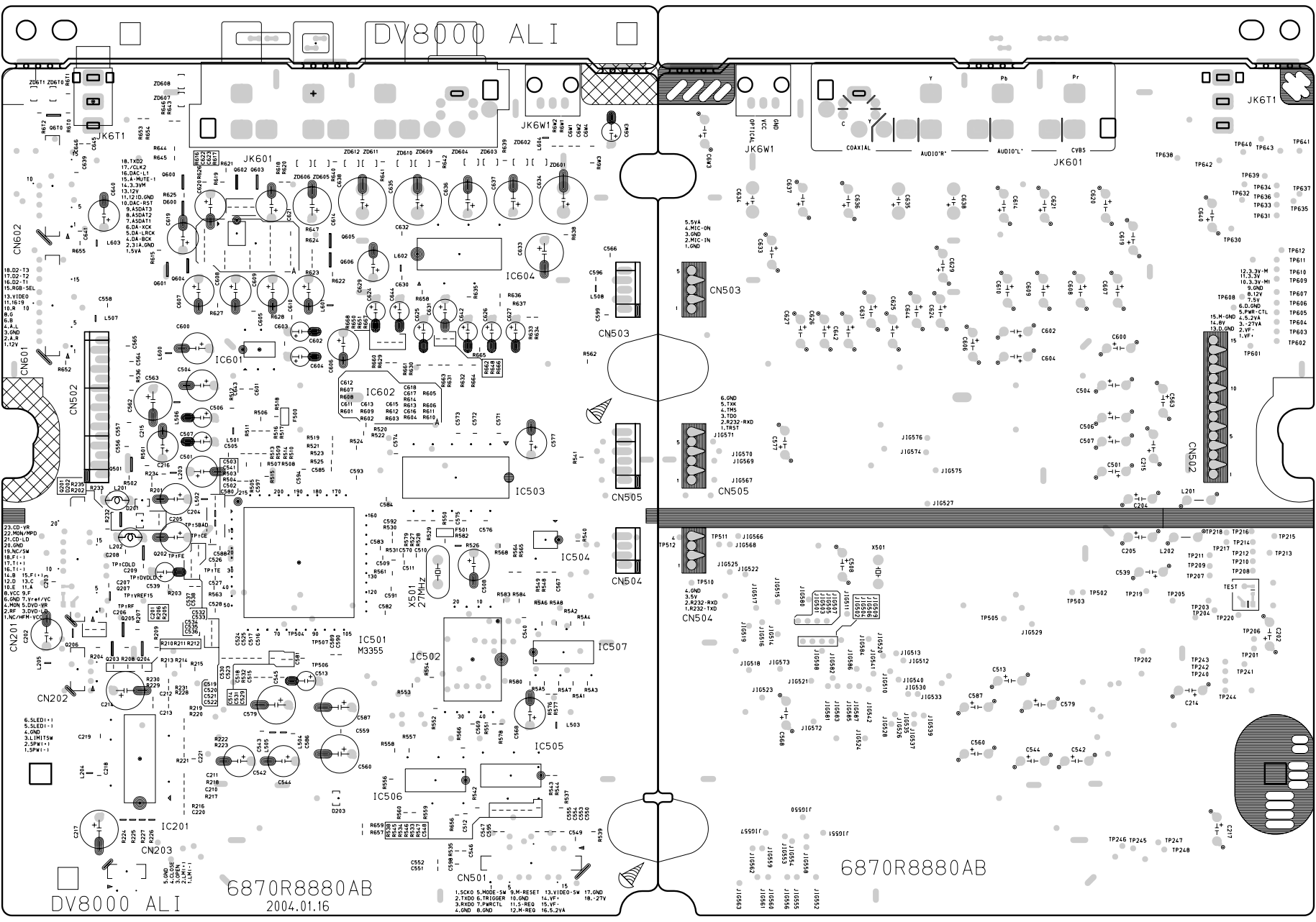


FIG 14-2

# PC BOARD

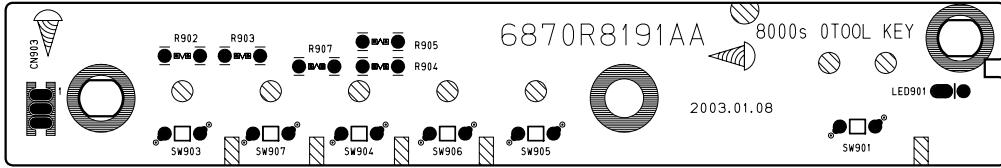
## 1. MAIN P.C. BOARD



Refer to the schematic diagram for the value of resistors and capacitors.

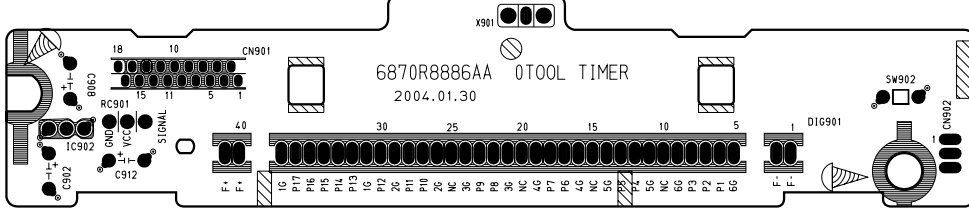
# PC BOARD

## 2. KEY P.C.BOARD



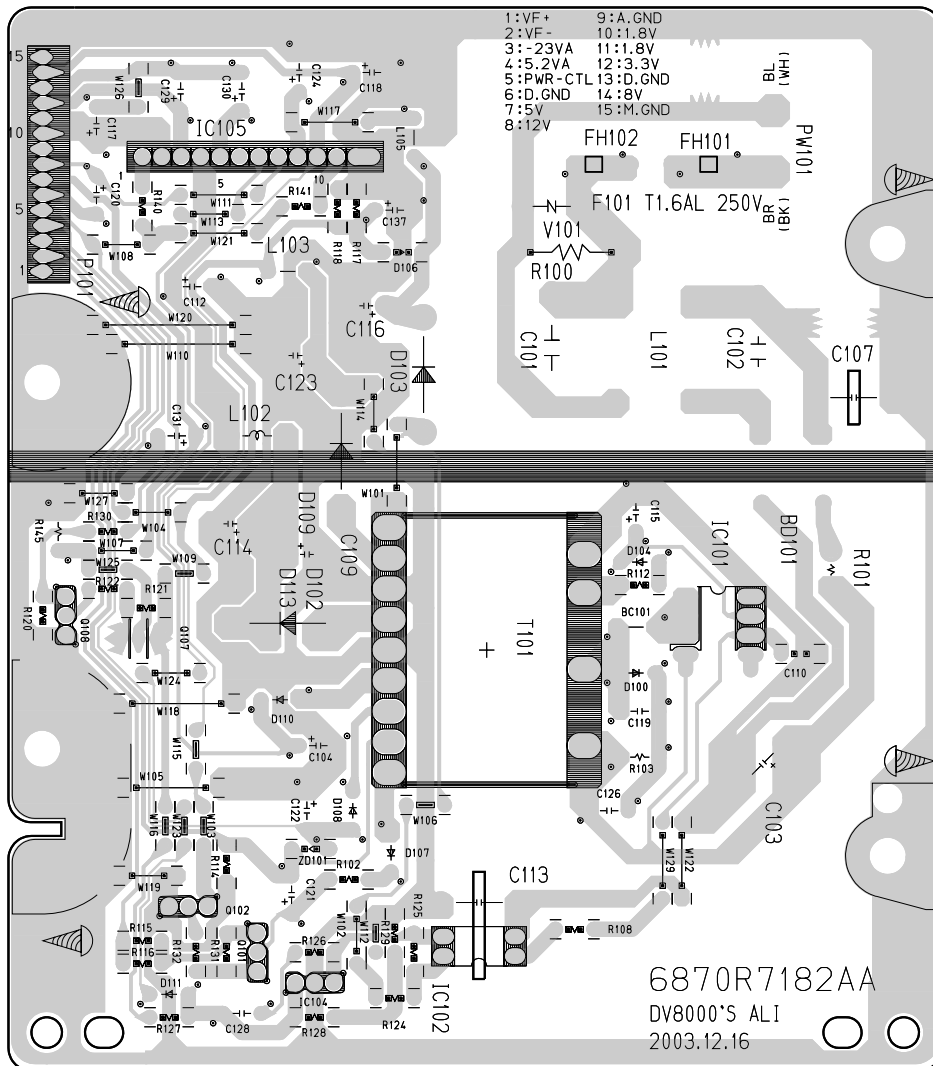
(Solder Side)

## 3. FRONT P.C.BOARD



(Solder Side)

## 4. SMPS P.C.BOARD



Note: This manual has no Scart pcb.

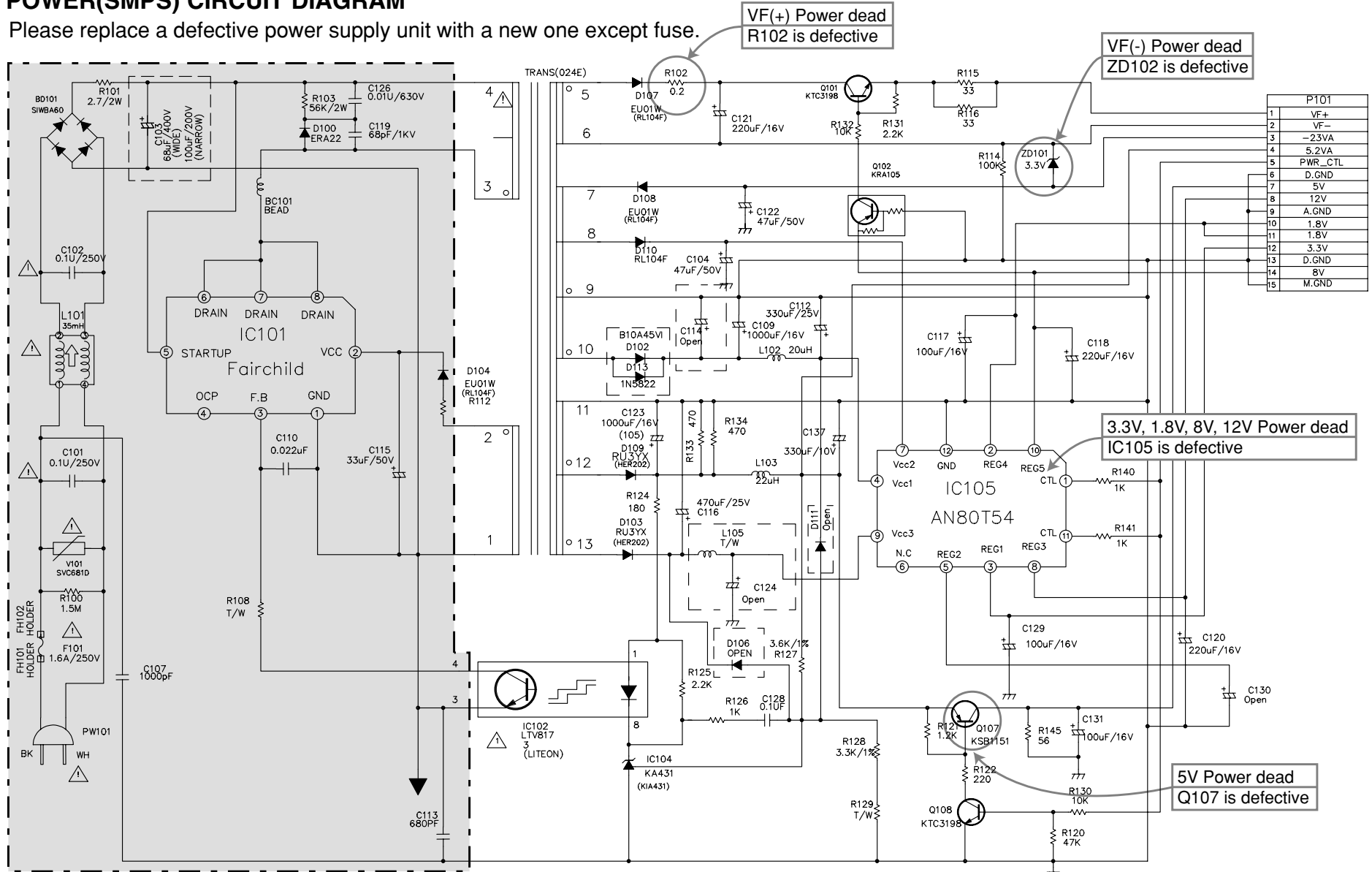
Refer to the schematic diagram for the value of resistors and capacitors.





# 1. POWER(SMPS) CIRCUIT DIAGRAM

Please replace a defective power supply unit with a new one except fuse.



NOTES: ⚠ Warning Parts that are shaded are critical with respect to risk of fire or electrical shock.

NOTES: ⚡ Symbol denotes AC ground. ⚡ Symbol denotes DC chassis ground.

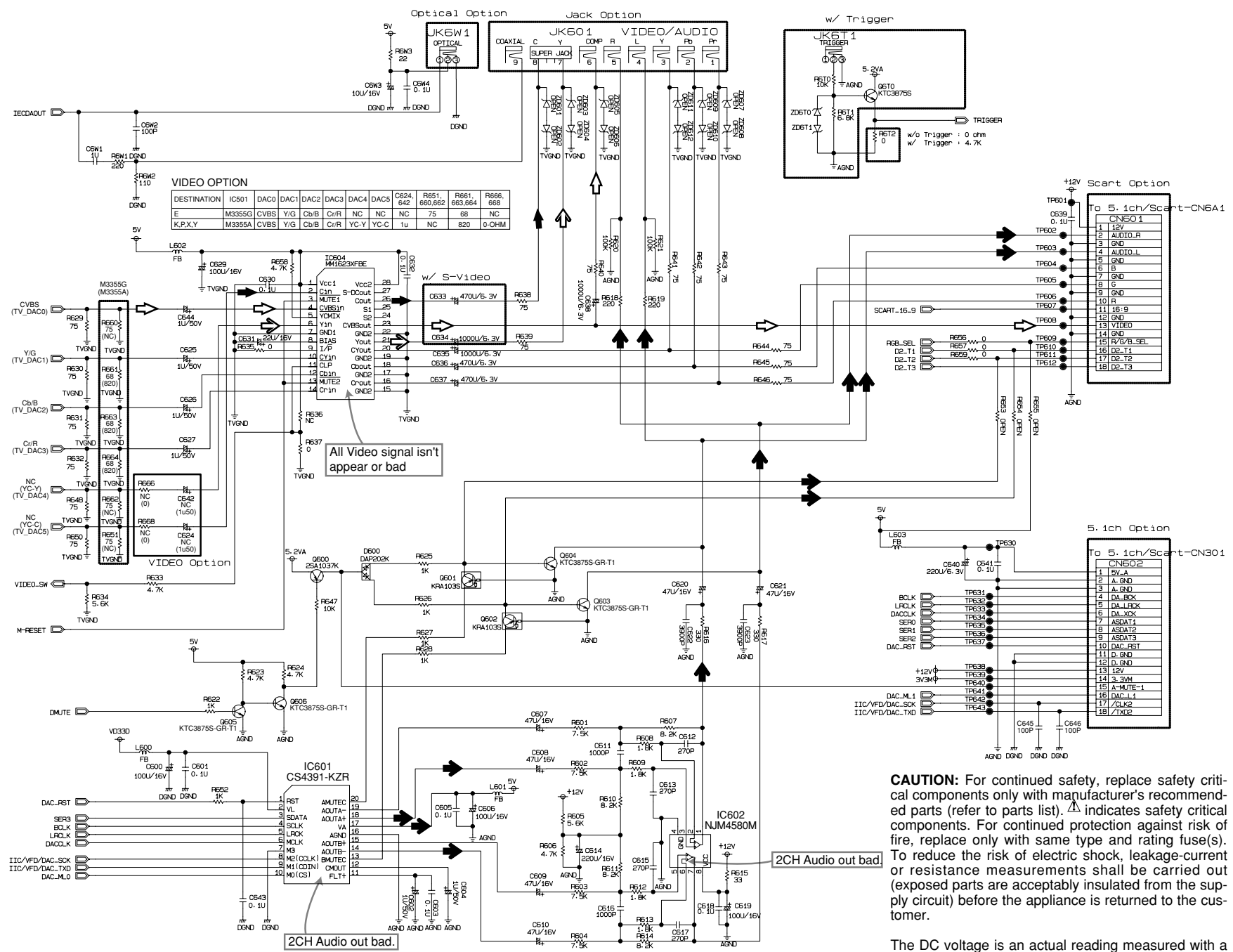
**CAUTION:** For continued safety, replace safety critical components only with manufacturer's recommended parts (refer to parts list). ⚠ indicates safety critical components. For continued protection against risk of fire, replace only with same type and rating fuse(s). To reduce the risk of electric shock, leakage-current or resistance measurements shall be carried out (exposed parts are acceptably insulated from the supply circuit) before the appliance is returned to the customer.

The DC voltage is an actual reading measured with a high impedance type voltmeter with no signal input. The measurement value may vary depending on the measuring instruments used or on the product.

DVF-3080-S/8100

# DVF-3080-S/8100

## 2. AV/JACK CIRCUIT DIAGRAM



All Video signal isn't appear or bad

2CH Audio out bad

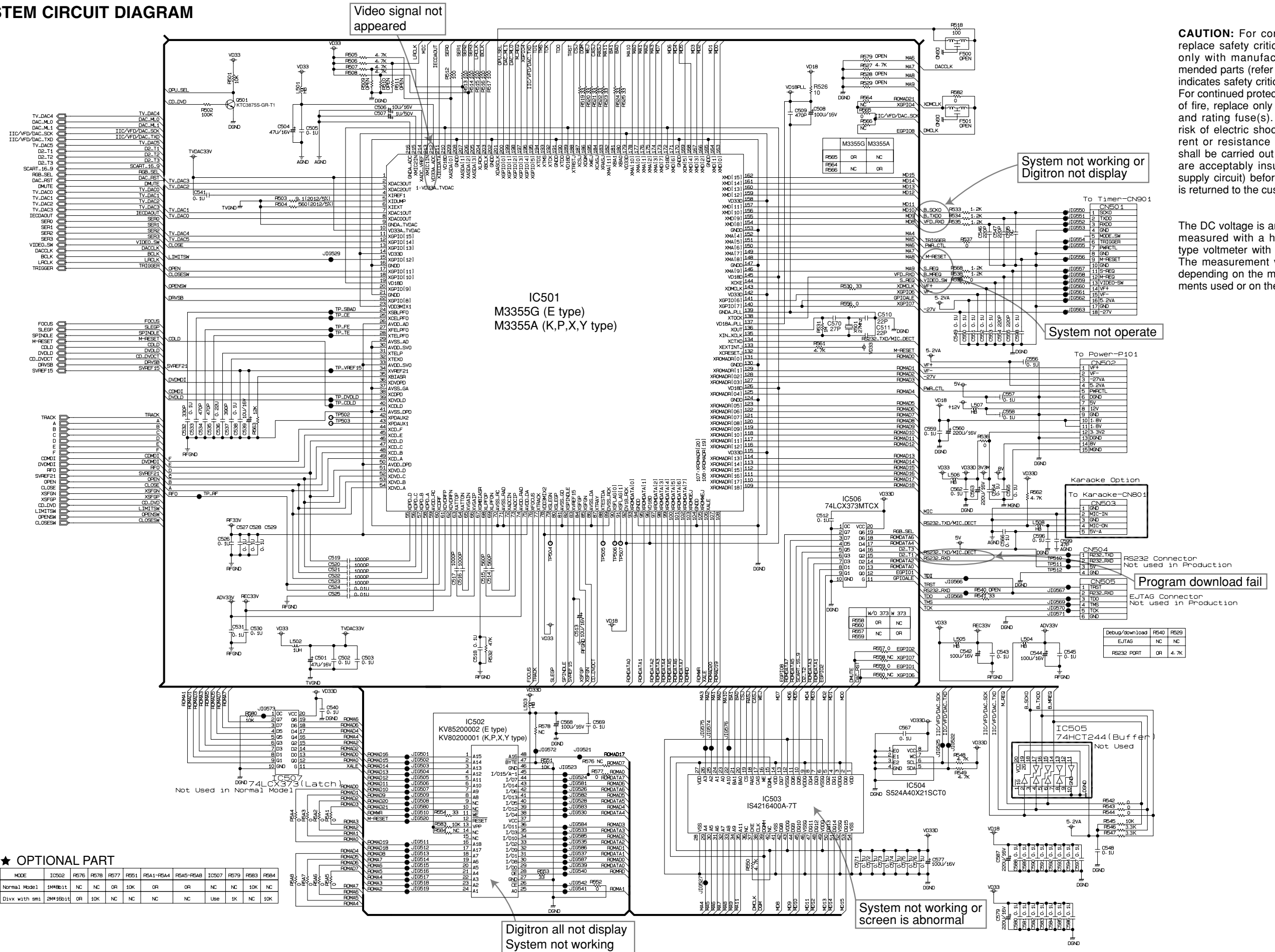
**CAUTION:** For continued safety, replace safety critical components only with manufacturer's recommended parts (refer to parts list).  $\Delta$  indicates safety critical components. For continued protection against risk of fire, replace only with same type and rating fuse(s). To reduce the risk of electric shock, leakage-current or resistance measurements shall be carried out (exposed parts are acceptably insulated from the supply circuit) before the appliance is returned to the customer.

The DC voltage is an actual reading measured with a high impedance type voltmeter with no signal input. The measurement value may vary depending on the measuring instruments used or on the product.

Video Signal Y  
Video Signal Color  
2CH Audio  
Video Signal CVBS



3. SYSTEM CIRCUIT DIAGRAM



**CAUTION:** For continued safety, replace safety critical components only with manufacturer's recommended parts (refer to parts list).  $\Delta$  indicates safety critical components. For continued protection against risk of fire, replace only with same type and rating fuse(s). To reduce the risk of electric shock, leakage-current or resistance measurements shall be carried out (exposed parts are acceptably insulated from the supply circuit) before the appliance is returned to the customer.

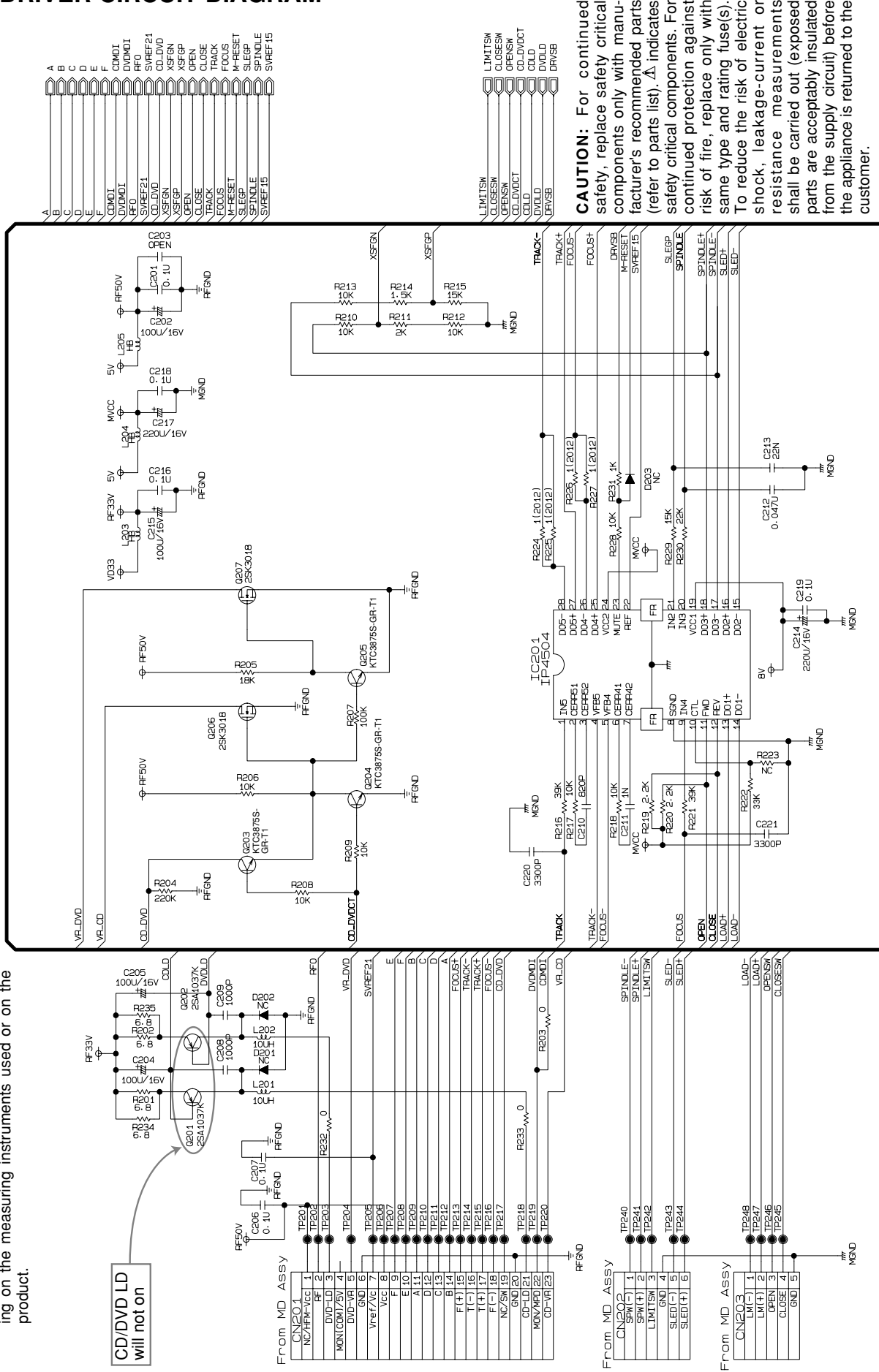
The DC voltage is an actual reading measured with a high impedance type voltmeter with no signal input. The measurement value may vary depending on the measuring instruments used or on the product.

★ OPTIONAL PART

MODE	IC502	F576	F578	F577	F551	RS1A1-RS4A	RS4S-RS4B	IC507	F579	F583	F584
Normal Mode1	1M48bit	NC	NC	OR	10K	OR	OR	NC	NC	10K	NC
Divx with smi	2M48bit	OR	10K	NC	NC	NC	NC	Use	1K	NC	10K

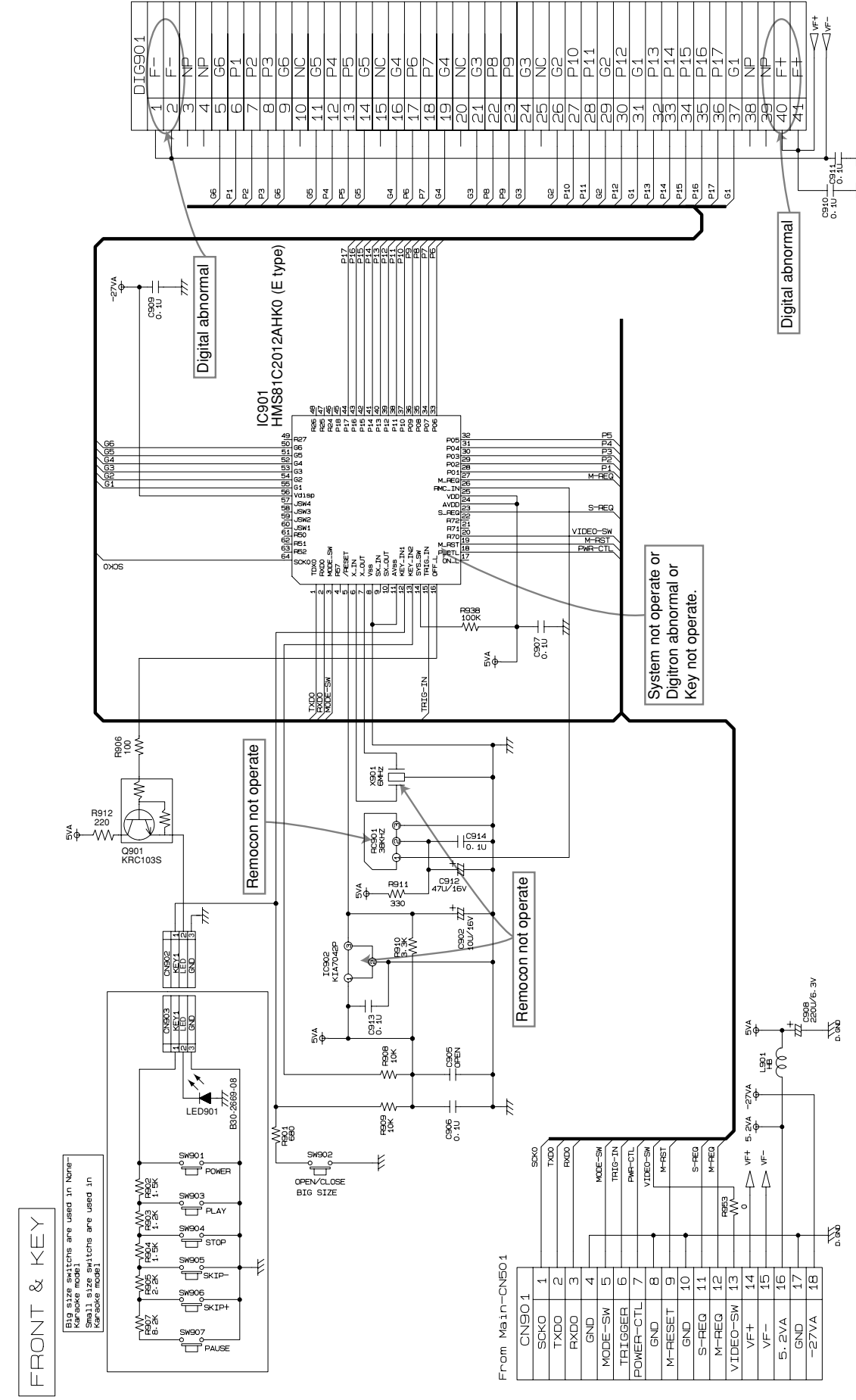
# DVF-3080-S/8100

## 4. DRIVER CIRCUIT DIAGRAM



The DC voltage is an actual reading measured with a high impedance type voltmeter with no signal input. The measurement value may vary depending on the measuring instruments used or on the product.

## 5. FRONT & KEY CIRCUIT DIAGRAM



The DC voltage is an actual reading measured with a high impedance type voltmeter with no signal input. The measurement value may vary depending on the measuring instruments used or on the product.

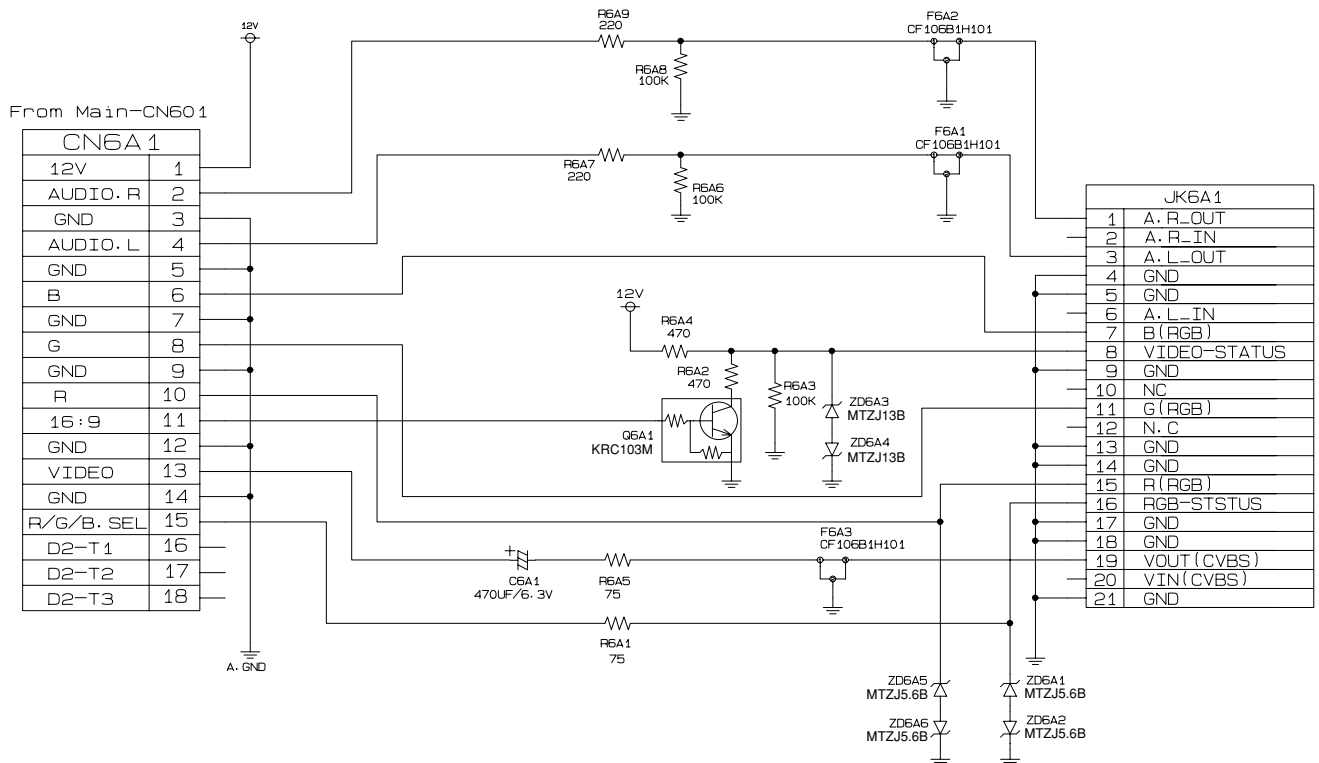
The DC voltage is an actual reading measured with a high impedance type voltmeter with no signal input. The measurement value may vary depending on the measuring instruments used or on the product.

## DVF-3080-S/8100

## 6. SCART CIRCUIT DIAGRAM

SCART OPTION

All stuffs are used for Scart Model Only !!!

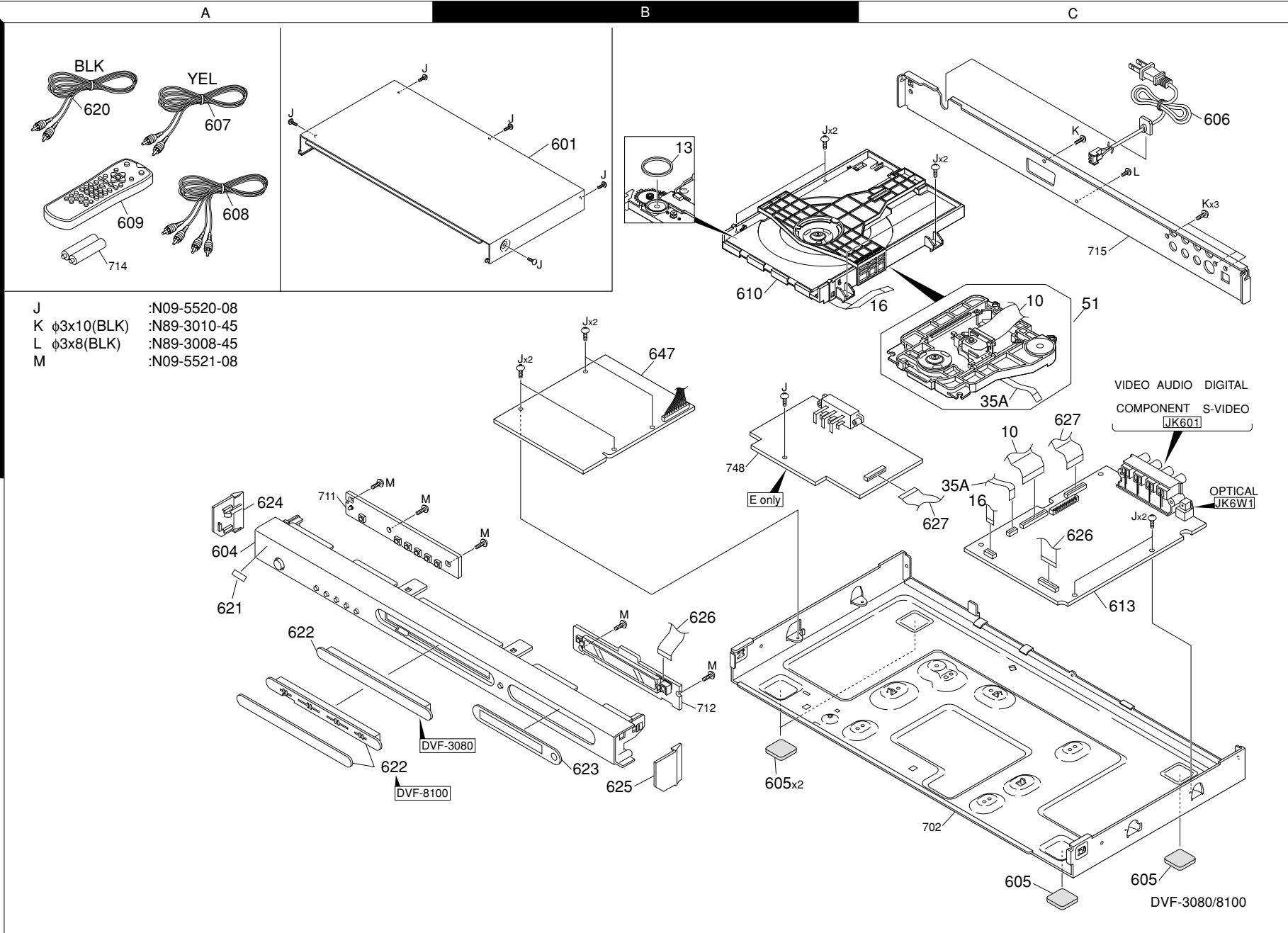


**CAUTION:** For continued safety, replace safety critical components only with manufacturer's recommended parts (refer to parts list). ⚠ indicates safety critical components. For continued protection against risk of fire, replace only with same type and rating fuse(s). To reduce the risk of electric shock, leakage-current or resistance measurements shall be carried out (exposed parts are acceptably insulated from the supply circuit) before the appliance is returned to the customer.

The DC voltage is an actual reading measured with a high impedance type voltmeter with no signal input. The measurement value may vary depending on the measuring instruments used or on the product.

# DVF-3080-S/8100

## EXPLODED VIEW (UNIT)



- J :N09-5520-08
- K φ3x10(BLK) :N89-3010-45
- L φ3x8(BLK) :N89-3008-45
- M :N09-5521-08

Parts with exploded numbers larger than 700 are not supplied.



\* New Parts  
Parts without **Parts No.** are not supplied.  
Les articles non mentionnés dans le **Parts No.** ne sont pas fournis.  
Teile ohne **Parts No.** werden nicht geliefert.

③

Ref. No	Add-ress	New Parts	Parts No.	Description	Desti-nation	Re-marks
C546,7 C548-53 C554,5			CC73GCH1H221J CK73GB1H104Z CC73GCH1H221J	CHIP C 220PF J CHIP C 0.10UF Z CHIP C 220PF J		
C556-9 C560 C562 C563 C564-7			CK73GB1H104Z CE04KW1C221M CK73GB1H104Z CE04KW1C221M CK73GB1H104Z	CHIP C 0.10UF Z ELECTRO 220UF 16WV CHIP C 0.10UF Z ELECTRO 220UF 16WV CHIP C 0.10UF Z		
C568 C569 C570 C571-6 C577			CE04KW1C101M CK73GB1H104Z CC73GCH1H270J CK73GB1H104Z CE04KW1C101M	ELECTRO 100UF 16WV CHIP C 0.10UF Z CHIP C 27PF J CHIP C 0.10UF Z ELECTRO 100UF 16WV		
C579 C580-6 C587 C588-98 C599			CE04KW1C221M CK73GB1H104Z CE04KW1C221M CK73GB1H104Z CC73GCH1H470J	ELECTRO 220UF 16WV CHIP C 0.10UF Z ELECTRO 220UF 16WV CHIP C 0.10UF Z CHIP C 47PF J		
C600 C601 C602 C603 C604			CE04KW1C101M CK73GB1H104Z CE04KW1H010M CK73GB1H104Z CE04KW1H010M	ELECTRO 100UF 16WV CHIP C 0.10UF Z ELECTRO 1.0UF 50WV CHIP C 0.10UF Z ELECTRO 1.0UF 50WV		
C605 C606 C607-10 C611 C612,3			CK73GB1H104Z CE04KW1C101M CE04KW1C470M CK73GB1H102K CC73GCH1H271J	CHIP C 0.10UF Z ELECTRO 100UF 16WV ELECTRO 47UF 16WV CHIP C 1000PF K CHIP C 270PF J		
C614 C615 C616 C617 C618			CE04KW1C221M CC73GCH1H271J CK73GB1H102K CC73GCH1H271J CK73GB1H104Z	ELECTRO 220UF 16WV CHIP C 270PF J CHIP C 1000PF K CHIP C 270PF J CHIP C 0.10UF Z		
C619 C620,1 C622,3 C624 C625-7			CE04KW1C101M CE04KW1C470M CK73GB1H392K CE04KW1H010M CE04KW1H010M	ELECTRO 100UF 16WV ELECTRO 47UF 16WV CHIP C 3900PF K ELECTRO 1.0UF 50WV ELECTRO 1.0UF 50WV		KPXY
C629 C630 C631 C632 C633			CE04KW1C101M CK73GB1H104Z CE04KW1C220M CK73GB1H104Z CE04KW0J471M	ELECTRO 100UF 16WV CHIP C 0.10UF Z ELECTRO 22UF 16WV CHIP C 0.10UF Z ELECTRO 470UF 6.3WV		KPXY
C634 C635 C636,7 C638 C639			CE04KW0J102M CE04KW0J102M CE04KW0J471M CE04KW0J102M CK73GB1H104Z	ELECTRO 1000UF 6.3WV ELECTRO 1000UF 6.3WV ELECTRO 470UF 6.3WV ELECTRO 1000UF 6.3WV CHIP C 0.10UF Z		KPXY
C640 C641 C642 C643 C644			CE04KW0J221M CK73GB1H104Z CE04KW1H010M CK73GB1H104Z CE04KW1H010M	ELECTRO 220UF 6.3WV CHIP C 0.10UF Z ELECTRO 1.0UF 50WV CHIP C 0.10UF Z ELECTRO 1.0UF 50WV		KPXY
C645,6 C902			CC73GCH1H101J CE04KW1C100M	CHIP C 100PF J ELECTRO 10UF 16WV		

L : Scandinavia K : USA P : Canada R : Mexico C : China I : Malaysia  
Y : PX(Far East,Hawaii) T : England E : Europe G : Germany V : China(Shanghai)  
Y : AAFES(Europe) X : Australia Q : Russia H : Korea M : Other Areas  $\Delta$  indicates safety critical components.

\* New Parts  
Parts without **Parts No.** are not supplied.  
Les articles non mentionnés dans le **Parts No.** ne sont pas fournis.  
Teile ohne **Parts No.** werden nicht geliefert.

④

Ref. No	Add-ress	New Parts	Parts No.	Description	Desti-nation	Re-marks
C906,7 C908 C909-11			CK73GB1H104Z CE04KW0J221M CK73GB1H104Z	CHIP C 0.10UF Z ELECTRO 220UF 6.3WV CHIP C 0.10UF Z		
C912 C913,4 JK6A1 JK601 JK601		*	CE04KW1C470M CK73GB1H104Z E58-0073-08 E63-1355-08 E63-1356-08	ELECTRO 47UF 16WV CHIP C 0.10UF Z JACK,SCART 6612M00003B JACK,RCA 6612J00044B JACK,RCA 6612J00044E		E KPXY E
F101 F101 F6A1-3 L201,2 L203-5		*	F53-0340-08 F53-0341-08 L72-0647-08 L33-1686-08 L92-0582-08	FUSE,SLOW BLOW 0FS1601B51B FUSE,SLOW BLOW 0FS1601B51D FILTER(CIRC) 6200HJC901A INDUCTOR,RADIA 0LR0102J025 FILTER(CIRC),E 6200HJC102A		KPY EX E
L501 L502 L503-8 L600-4 L901		*	L92-0582-08 L33-1687-08 L92-0582-08 L92-0582-08 L92-0582-08	FILTER(CIRC),E 6200HJC102A INDUCTOR,CHIP 0LCC0E00004L FILTER(CIRC),E 6200HJC102A FILTER(CIRC),E 6200HJC102A FILTER(CIRC),E 6200HJC102A		
X501 X901 R5A1-8 R6A1 R6W1		*	L77-2439-08 L78-0770-08 RK73GB1J000J RD14BB2C750J RK73GB1J221J	RESONATOR,CRYS 6202R-BL06C RESONATOR,CERA 6212BA3004A CHIP R 0 J 1/16W RD 75 J 1/6W CHIP R 220 J 1/16W		E
R6A2 R6T2 R6W2 R6A3 R6W3			RD14BB2C471J RK73GB1J000J RK73GB1J111J RD14BB2C104J RK73GB1J220J	RD 470 J 1/6W CHIP R 0 J 1/16W CHIP R 110 J 1/16W RD 100K J 1/6W CHIP R 22 J 1/16W		E E E
R6A4 R6A5 R6A6 R6A7 R6A8			RD14BB2C471J RD14BB2C750J RD14BB2C104J RD14BB2C220J RD14BB2C104J	RD 470 J 1/6W RD 75 J 1/6W RD 100K J 1/6W RD 22 J 1/6W RD 100K J 1/6W		E E E E E
R6A9 R201,2 R203 R204 R205			RD14BB2C220J RK73GB1J6R8J RK73GB1J000J RK73GB1J224J RK73GB1J183J	RD 22 J 1/6W CHIP R 6.8 J 1/16W CHIP R 0 J 1/16W CHIP R 220K J 1/16W CHIP R 18K J 1/16W		E
R206 R207 R208-10 R211 R212,3			RK73GB1J103J RK73GB1J104J RK73GB1J103J RK73GB1J202J RK73GB1J103J	CHIP R 10K J 1/16W CHIP R 100K J 1/16W CHIP R 10K J 1/16W CHIP R 2.0K J 1/16W CHIP R 10K J 1/16W		
R214 R215 R216 R217 R218			RK73GB1J152J RK73GB1J153J RK73GB1J393J RK73GB1J562J RK73GB1J103J	CHIP R 1.5K J 1/16W CHIP R 15K J 1/16W CHIP R 39K J 1/16W CHIP R 5.6K J 1/16W CHIP R 10K J 1/16W		
R219,20 R221 R222 R224-7 R228			RK73GB1J222J RK73GB1J393J RK73GB1J333J RK73FB2A010J RK73GB1J103J	CHIP R 2.2K J 1/16W CHIP R 39K J 1/16W CHIP R 33K J 1/16W CHIP R 1 J 1/10W CHIP R 10K J 1/16W		
R229 R230			RK73GB1J153J RK73GB1J223J	CHIP R 15K J 1/16W CHIP R 22K J 1/16W		

L : Scandinavia K : USA P : Canada R : Mexico C : China I : Malaysia  
Y : PX(Far East,Hawaii) T : England E : Europe G : Germany V : China(Shanghai)  
Y : AAFES(Europe) X : Australia Q : Russia H : Korea M : Other Areas  $\Delta$  indicates safety critical components.



# DVF-3080-S/8100

## PARTS LIST

7

\* New Parts  
 Parts without **Parts No.** are not supplied.  
 Les articles non mentionnés dans le **Parts No.** ne sont pas fournis.  
 Teile ohne **Parts No.** werden nicht geliefert.

Ref. No	Add-ress	New Parts	Parts No.	Description	Desti-nation	Re-marks
Q203		*	BC846ALT1	TRANSISTOR,BIP	0TRON80009A	
Q203		*	KTC3875S-GR-T1	TRANSISTOR	0TR387509AC	
Q203		*	2SC5343SG	TRANSISTOR,BIP	0TRAU80017A	
Q204		*	BC846ALT1	TRANSISTOR,BIP	0TRON80009A	
Q204		*	KTC3875S-GR-T1	TRANSISTOR	0TR387509AC	
Q204		*	2SC5343SG	TRANSISTOR,BIP	0TRAU80017A	
Q205		*	BC846ALT1	TRANSISTOR,BIP	0TRON80009A	
Q205		*	KTC3875S-GR-T1	TRANSISTOR	0TR387509AC	
Q205		*	2SC5343SG	TRANSISTOR,BIP	0TRAU80017A	
Q206,7		*	2SK3018	TRANSISTOR,BIP	0TRRH80042A	
Q501		*	BC846ALT1	TRANSISTOR,BIP	0TRON80009A	
Q501		*	KTC3875S-GR-T1	TRANSISTOR	0TR387509AC	
Q501		*	2SC5343SG	TRANSISTOR,BIP	0TRAU80017A	
Q600			2SA1037K	TRANSISTOR,BIP	0TR103709BB	
Q600		*	2SA1980SY	TRANSISTOR,BIP	0TRAU80008A	
Q601		*	KRC103S	TRANSISTOR	0TR103009AC	
Q601		*	MMUN2112LT1	TRANSISTOR,BIP	0TRON80007A	
Q601		*	SRA2203S	TRANSISTOR,BIP	0TRAU80012A	
Q602			KRC103S	TRANSISTOR	0TR103009AC	
Q602		*	MMUN2112LT1	TRANSISTOR,BIP	0TRON80007A	
Q602		*	SRA2203S	TRANSISTOR,BIP	0TRAU80012A	
Q603		*	BC846ALT1	TRANSISTOR,BIP	0TRON80009A	
Q603		*	KTC3875S-GR-T1	TRANSISTOR	0TR387509AC	
Q603		*	2SC5343SG	TRANSISTOR,BIP	0TRAU80017A	
Q604		*	BC846ALT1	TRANSISTOR,BIP	0TRON80009A	
Q604		*	KTC3875S-GR-T1	TRANSISTOR	0TR387509AC	
Q604		*	2SC5343SG	TRANSISTOR,BIP	0TRAU80017A	
Q605		*	BC846ALT1	TRANSISTOR,BIP	0TRON80009A	
Q605		*	KTC3875S-GR-T1	TRANSISTOR	0TR387509AC	
Q605		*	2SC5343SG	TRANSISTOR,BIP	0TRAU80017A	
Q606		*	BC846ALT1	TRANSISTOR,BIP	0TRON80009A	
Q606		*	KTC3875S-GR-T1	TRANSISTOR	0TR387509AC	
Q606		*	2SC5343SG	TRANSISTOR,BIP	0TRAU80017A	
Q901			KRC103S	TRANSISTOR	0TR103009AA	
RC901		*	W02-4555-08	REMOTE CONTROL	6712R1038GA	
ZD6A1,2			MTZJ5.6B	ZENER DIODE	0DZ562609AA	E
ZD6A3,4			MTZJ13B	ZENER DIODE	0DZ132609CA	E
ZD6A5,6			MTZJ5.6B	ZENER DIODE	0DZ562609AA	E

L : Scandinavia    K : USA    P : Canada    R : Mexico    C : China    I : Malaysia  
 Y : PX(Far East,Hawaii)    T : England    E : Europe    G : Germany    V : China(Shanghai)  
 Y : AAFES(Europe)    X : Australia    Q : Russia    H : Korea    M : Other Areas    Δ indicates safety critical components .

### HOW TO READ THE PARTS LIST ABBREVIATION OF MODEL AND MASS PRODUCTION'S DESTINATIONS

MODEL	ABB.	Australia	Canada	Europe	PX/AAFES	USA
DVF-3080-S	3	X3	P3	E3	Y3	K3
DVF-8100	8	-	P8	E8	-	K8



# DVF-3080-S/8100

## SPECIFICATIONS

### [Type]

System ..... DVD video player  
Signal read system ..... Semiconductor laser

### [D/A Conversion Section]

D/A conversion ..... 24 Bit  
Oversampling ... 8 fs (Sampling frequency; 44.1, 48 kHz)  
..... 4 fs (Sampling frequency; 96 kHz)

### [Audio section]

Frequency response  
Sampling frequency ; 44.1 kHz ..... 8 Hz ~ 20 kHz  
Sampling frequency ; 48 kHz ..... 8 Hz ~ 22 kHz  
Sampling frequency ; 96 kHz ..... 8 Hz ~ 44 kHz  
Signal to noise ratio ..... More than 100 dB  
Dynamic range ..... More than 92 dB  
Total harmonic distortion ..... Less than 0.007 % (1 kHz)  
Channel separation ..... More than 90 dB (1 kHz)  
Wow and flutter ..... Below measurable limit  
Analog output level/impedance ..... 2 V / 550  $\Omega$   
Digital output level/impedance  
COAXIAL ..... 0.5 Vp-p / 75  $\Omega$   
OPTICAL (Only DVF-8100 for Europe)  
..... -21 dBm ~ -15 dBm (Wave length 660 nm)

### [Video Section]

Video output format ..... NTSC/PAL  
Video compression  
DVD ..... MPEG-2  
Composite video output level  
..... 1 Vp-p (75  $\Omega$  load, sync. negative)  
S-video output level (Except for Europe)  
(Y-signal) ..... 1 Vp-p (75  $\Omega$  load, sync. negative)  
(C-signal)  
NTSC ..... 0.286 Vp-p (75  $\Omega$ )  
PAL ..... 0.300 Vp-p (75  $\Omega$ )  
Component Video output level  
(Y-signal) ..... 1 Vp-p (75  $\Omega$ )  
(Cb-signal) ..... 0.7 Vp-p (75  $\Omega$ )  
(Cr-signal) ..... 0.7 Vp-p (75  $\Omega$ )  
RGB output level (SCART) (For Europe) ..... 0.7 Vp-p (75  $\Omega$ )  
Horizontal resolution ..... More than 500 lines  
Video signal to noise ratio ..... More than 70 dB

### [General]

Power consumption ..... 12 W  
Dimensions ..... W : 440 mm (17-5/16 )  
H : 44 mm (1-3/4 )  
D : 249 mm (9-13/16 )  
Weight (net)  
(DVF-3080) ..... 2.2 kg (4.9 lb)  
(DVF-8100) ..... 2.3 kg (5.1 lb)



**KENWOOD follows a policy of continuous advancements in development. For this reason specifications may be changed without notice.**

- Sufficient performance may not be exhibited at extremely cold locations (Where water freezes).