

2

3

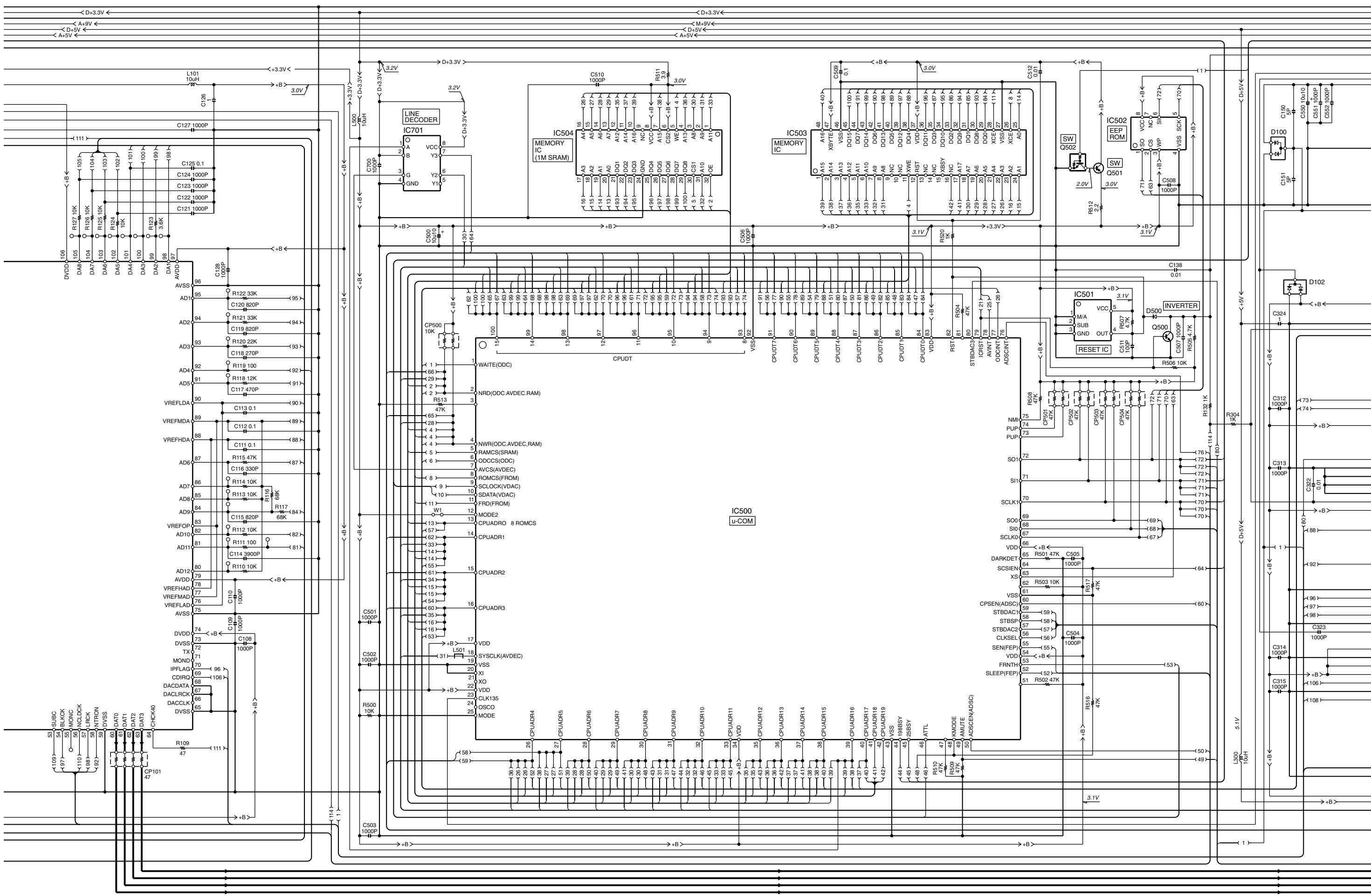
4

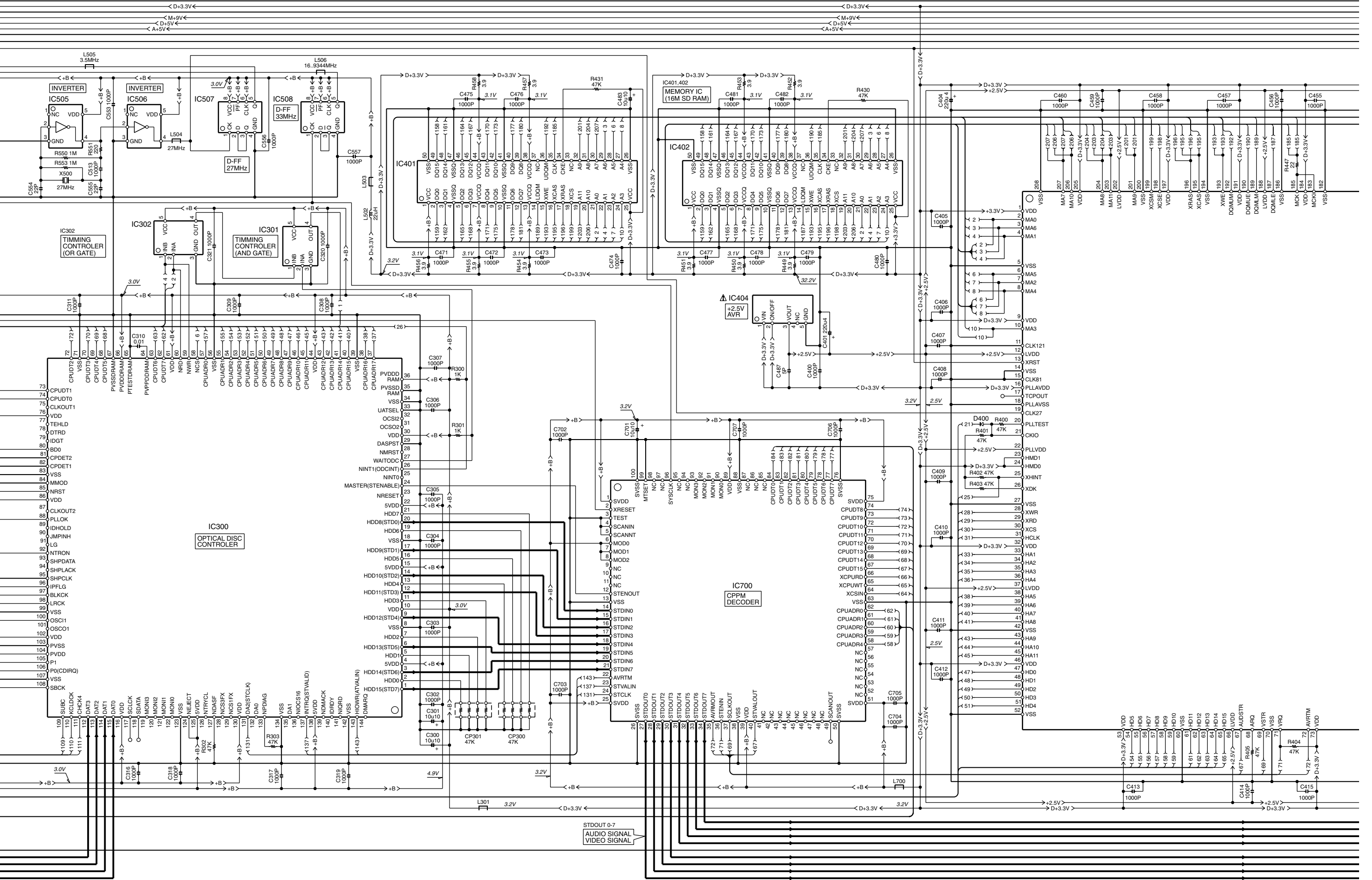
5

6

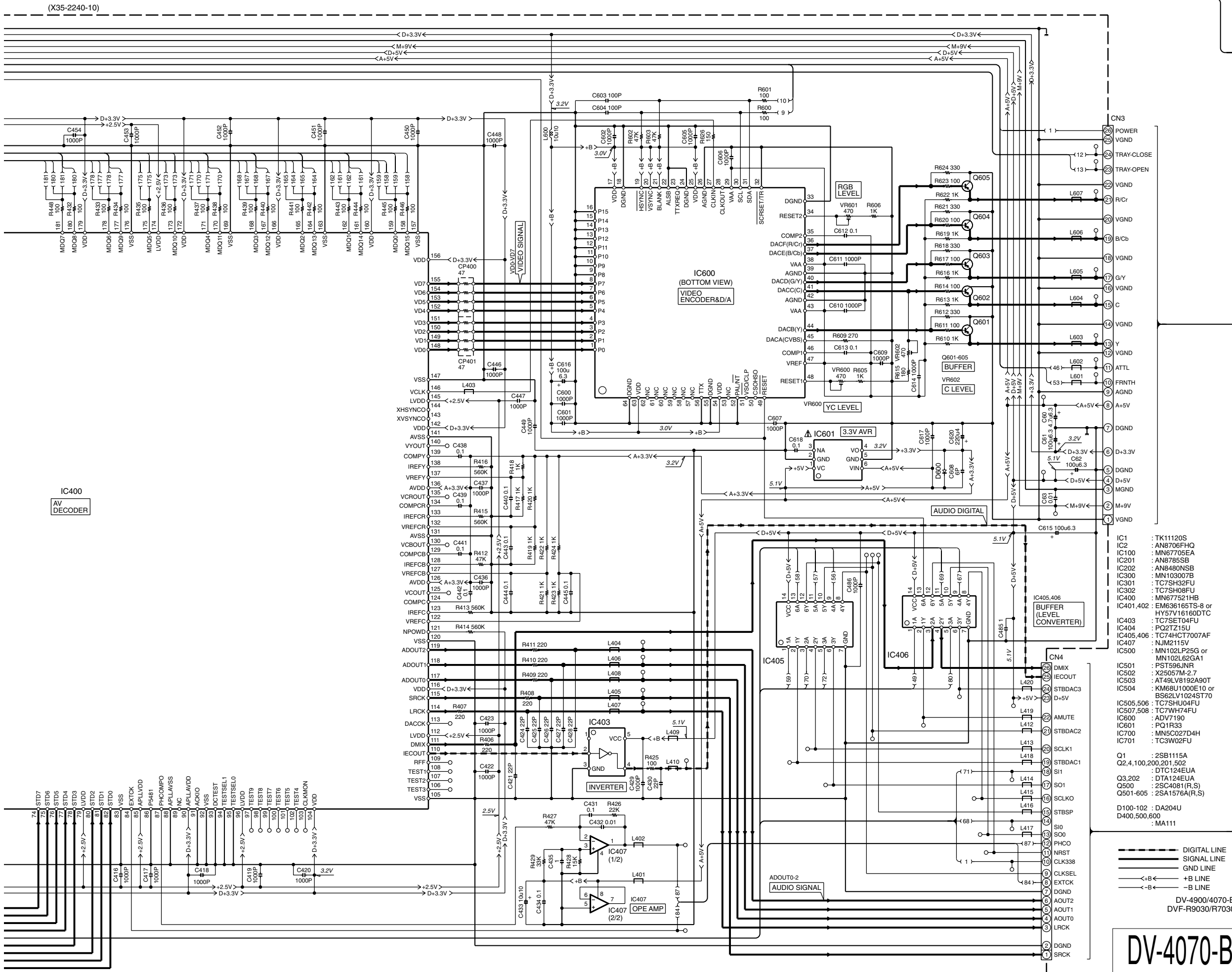
7







(X35-2240-10)



X00-CN0
1/2
A

X25-CN4
2/3
C

X25-A/2
2/3
D

CAUTION: For continued safety, replace safety critical components only with manufacturer's recommended parts (refer to parts list). Δ indicates safety critical components. For continued protection against risk of fire, replace only with same type and rating fuse(s). To reduce the risk of electric shock, leakage-current or resistance measurements shall be carried out (exposed parts are acceptably insulated from the supply circuit) before the appliance is returned to the customer.

The DC voltage is an actual reading measured with a high impedance type voltmeter with no signal input. The measurement value may vary depending on the measuring instruments used or on the product.

- IC1 : TK1120S
- IC2 : AN8705FHQ
- IC100 : MN67705EA
- IC201 : AN8785SB
- IC202 : AN8480NSB
- IC300 : MN103007B
- IC301 : TC7SH32FU
- IC302 : TC7SH08FU
- IC400 : MN677521HB
- IC401,402 : EM636165TS-B or HY57V16160DTC
- IC403 : TC7SET04FU
- IC404 : PQ2T15U
- IC405,406 : TC74HCT7007AF
- IC407 : NJM2115V
- IC500 : MN102LP25G or MN102L62GA1
- IC501 : DTC124EUA
- IC502 : X25057M-2.7
- IC503 : AT49LV8192A90T
- IC504 : KM68L1000E10 or BS62LV1024ST70
- IC505,506 : TC7SHU04FU
- IC507,508 : TC7WH47FU
- IC600 : ADV7190
- IC601 : PQ1R33
- IC700 : MN5C027D4H
- IC701 : TC3W02FU

- Q1 : 2SB1115A
- Q2,4,100,200,201,502 : DTC124EUA
- Q3,202 : DTA124EUA
- Q500 : 2SC4081(R,S)
- Q501-605 : 2SA1576A(R,S)

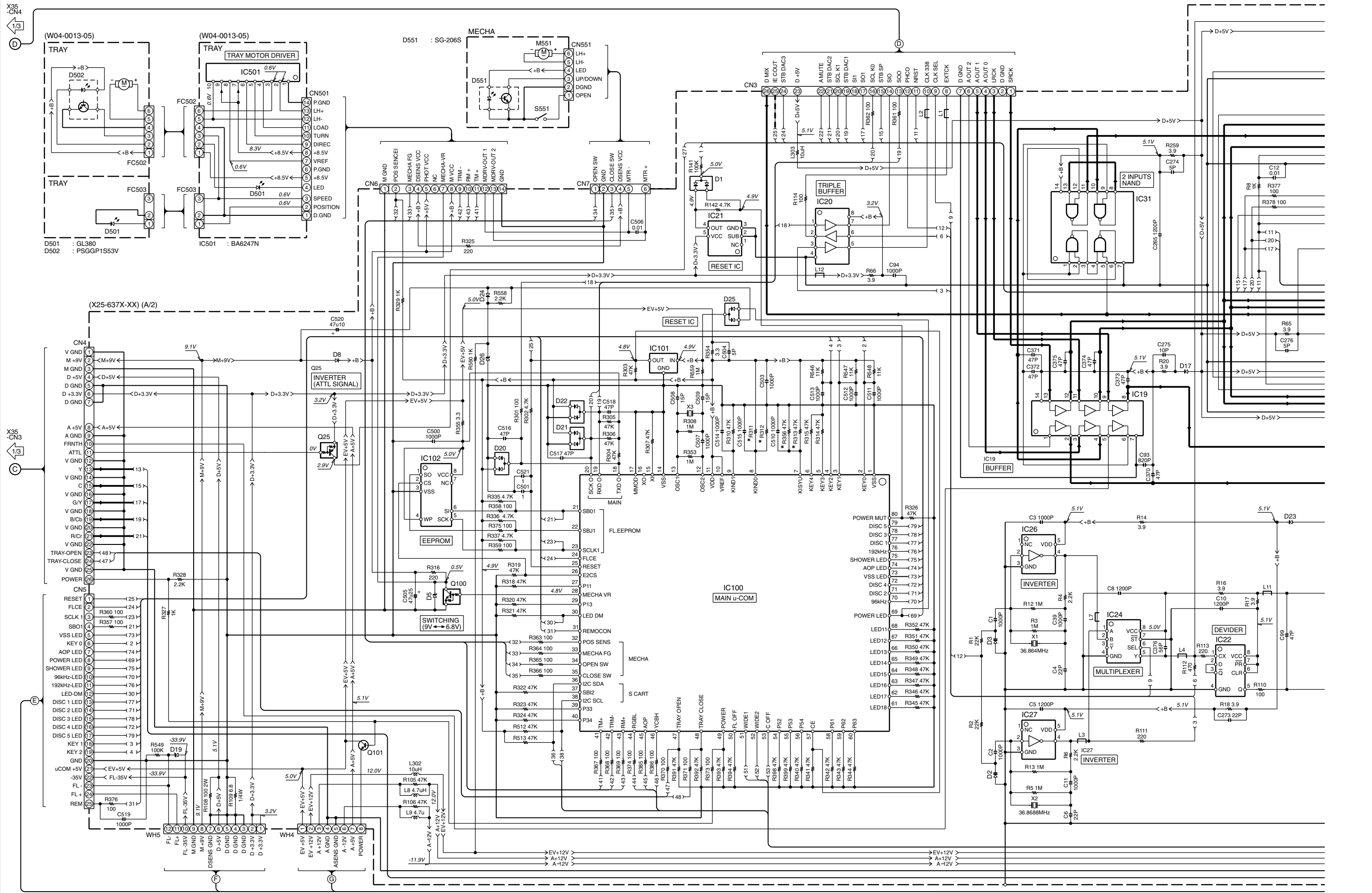
- D100-102 : DA204U
- D400,500,600 : MA1111

- DIGITAL LINE
- SIGNAL LINE
- GND LINE
- ←+B← +B LINE
- ←-B← -B LINE

DV-4900/4070-B (1/3)
DVF-R9030/R7030 (1/3)

DV-4070-B/DVF-R7030-B/R9030

Y22-8310-00



X35
-CN4
1/3

2

3

X35
-CN3
1/3

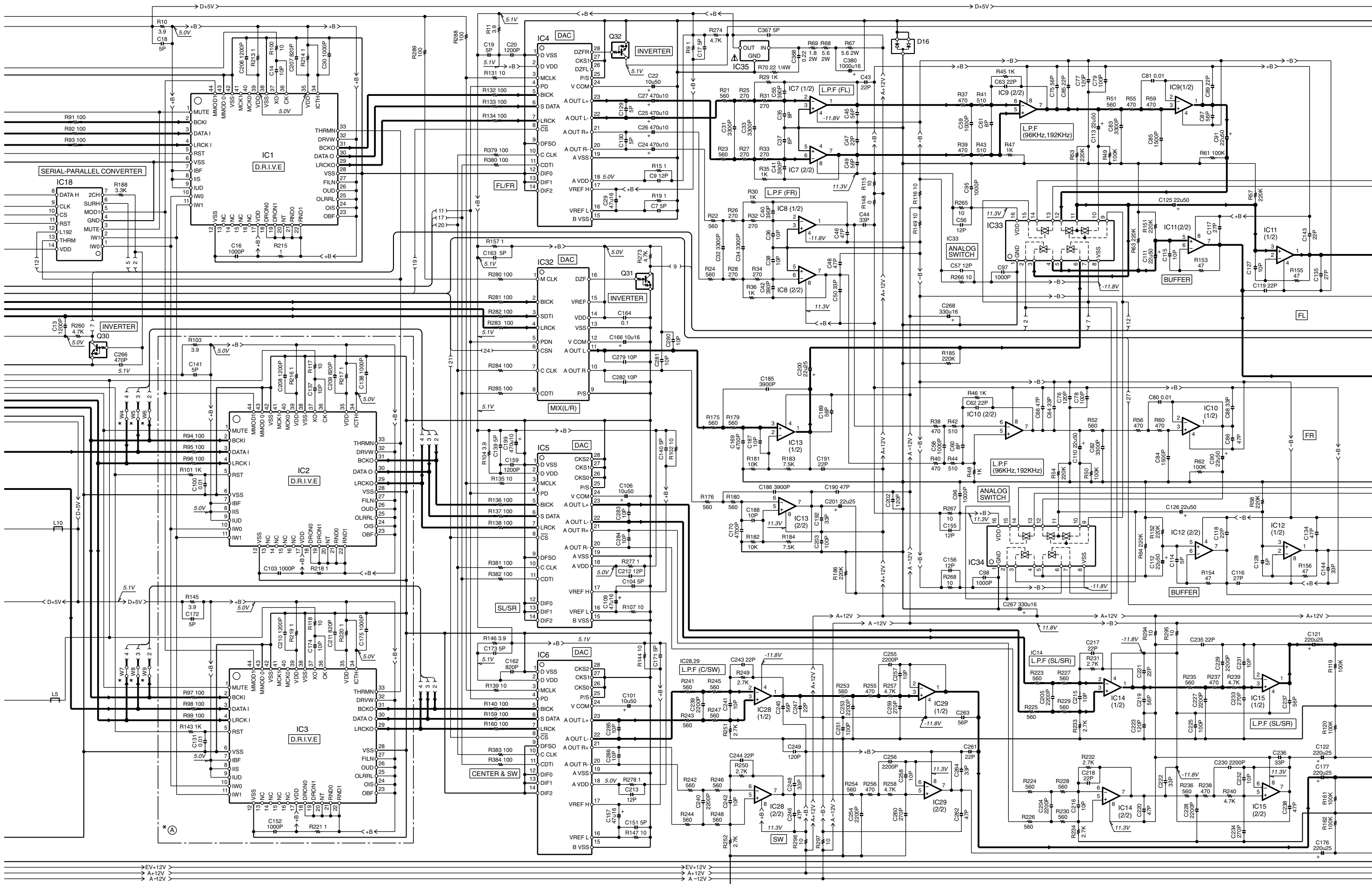
4

5

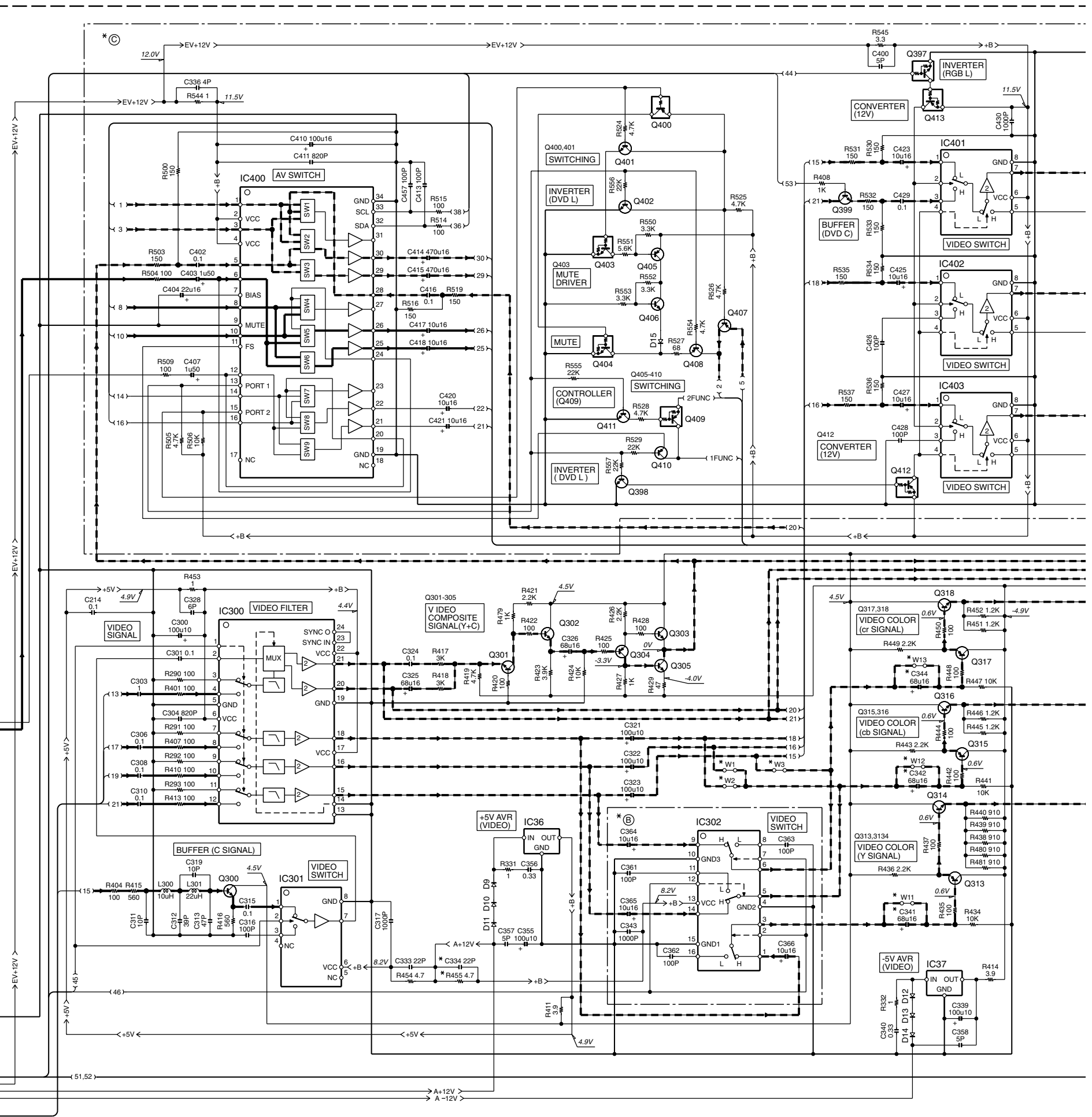
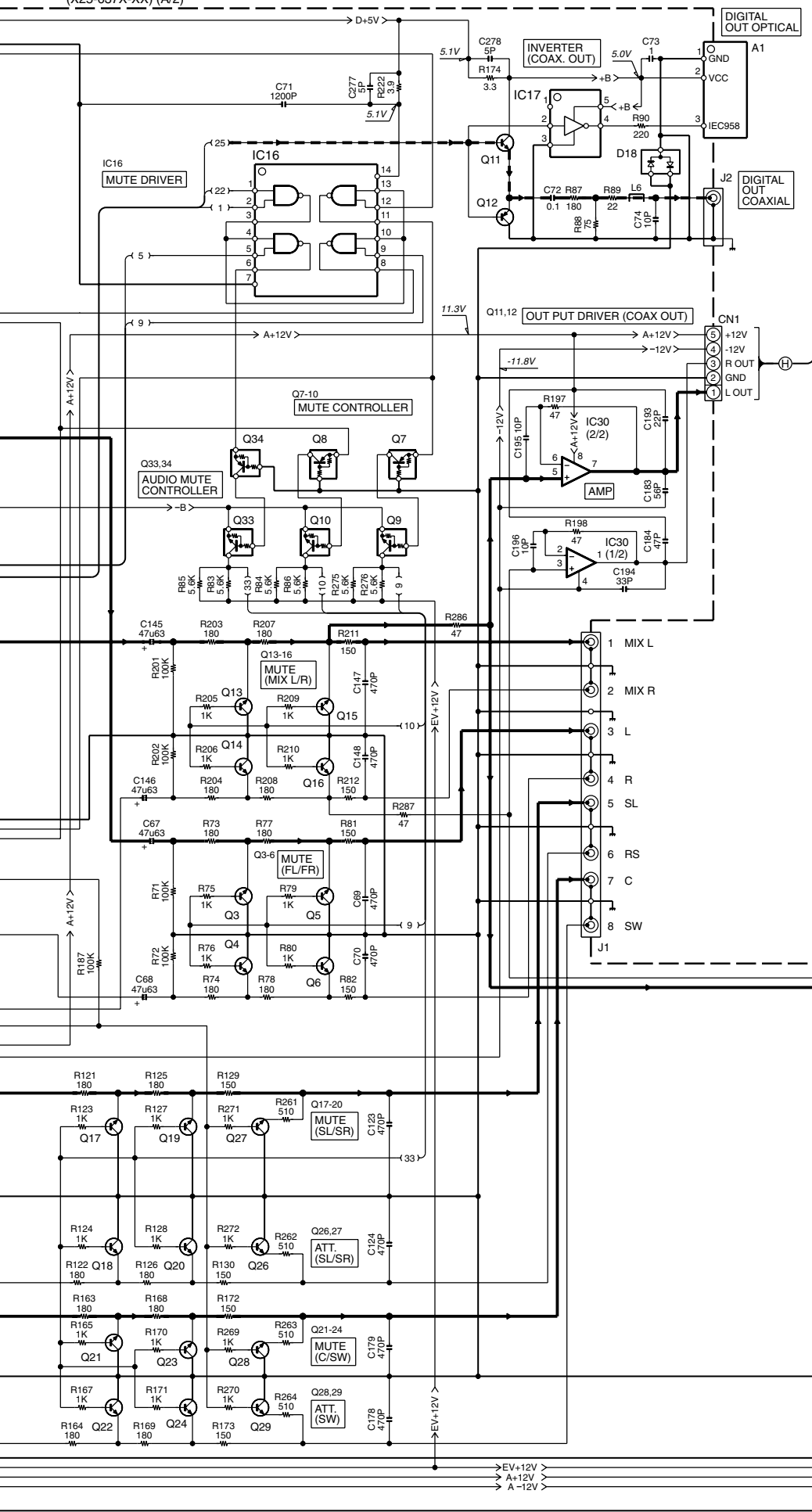
6

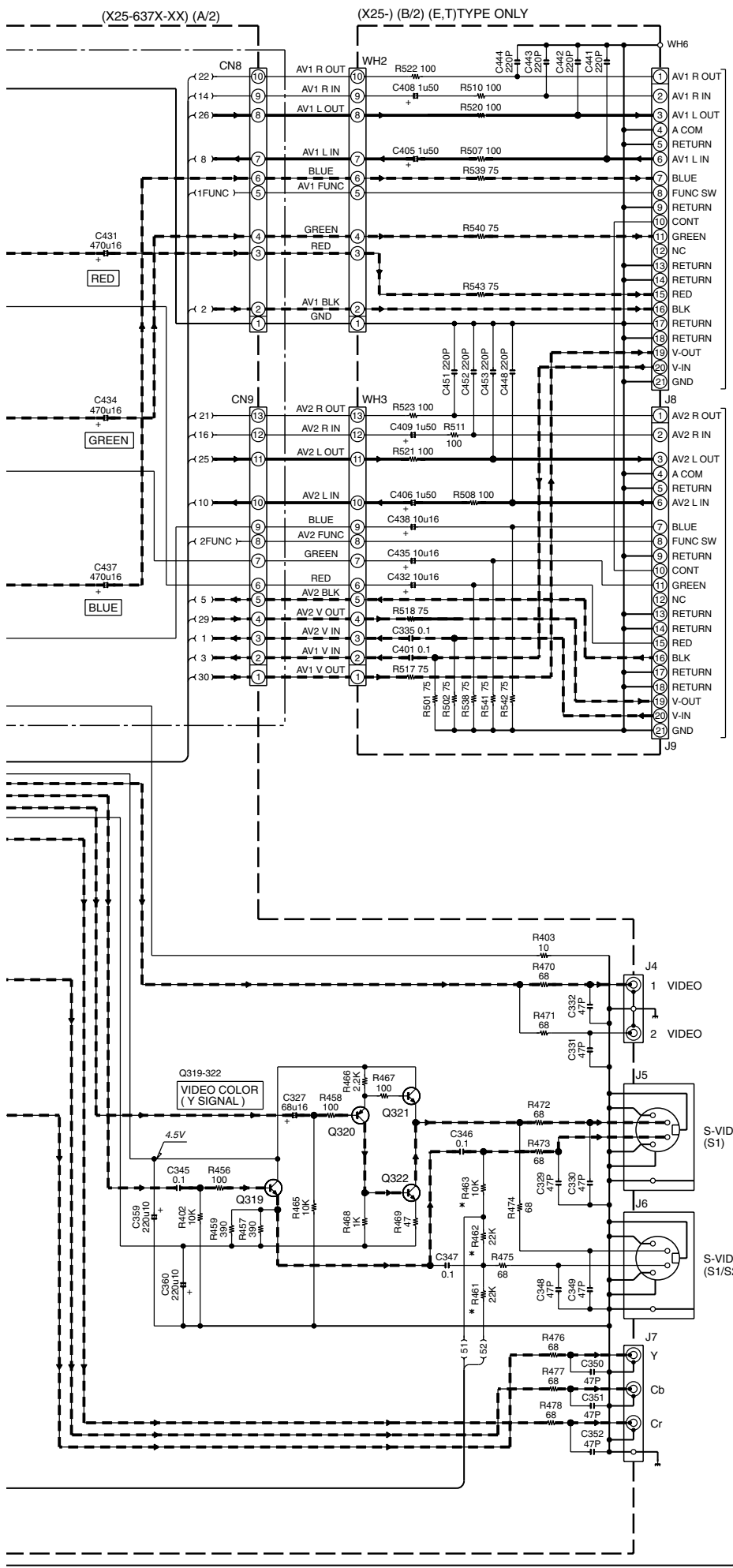
7

WH7



→EV+12V
 →A+12V
 →A-12V





DVF-R9030 (X25-637X-XX)

DESTINATION COUNTRY	ABB.	UNIT No.	(A)	(B)	(C)	C334,341, 342,344	R311, 313	R312	R356	R455	R461-463	W1-3, 11-13	W4-9
JAPAN	J	X25-6370-01				NO	NO	12K		NO	YES	YES	
EUROPE	E	X25-6372-71	YES	YES	YES	YES	YES	33K	NO	YES	NO	NO	NO
U.K.	T	X25-6370-71						68K					
AUSTRALIA	X	X25-6370-71						180K					
GENERAL MARKET	M	X25-6370-21				NO	NO					YES	

DV-4900 (X25-6370-10)

DESTINATION COUNTRY	ABB.	UNIT No.	(A)	(B)	(C)	C334,341, 342,344	R311,356,455 461-463	R312	R313	W1-3, 11-13	W4-9
U.S.A.	K	X25-6370-10	YES	NO	NO	NO	NO	47K	YES	YES	NO

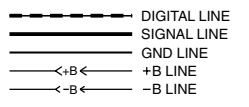
DV-4070-B (X25-6370-11)

DESTINATION COUNTRY	ABB.	UNIT No.	(A)	(B)	(C)	C334,341, 342,344	R311,313,455, 461-463	R312	R356	W1-3-9, 11-13	W4-9
U.S.A.	K	X25-6370-11	NO	NO	NO	NO	NO	47K	YES	YES	

DVF-R7030-B (X25-6372-72)

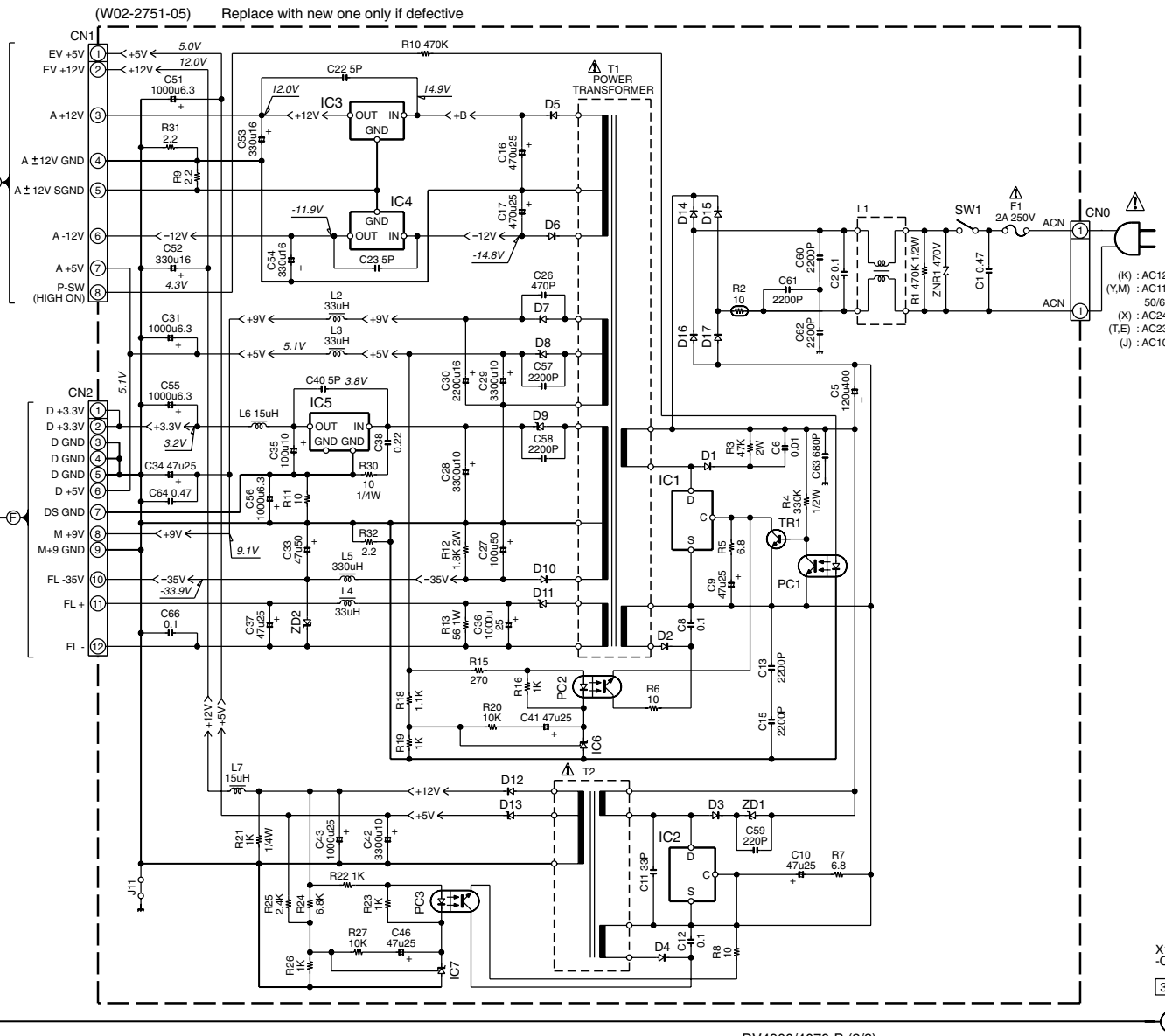
DESTINATION COUNTRY	ABB.	UNIT No.	(A)	(B)	(C)	C334,341, 342,344	R311,356, 455	R312	R313,461-463	W1-3, 11-13	W4-9
EUROPE	E	X25-6372-72	NO	YES	YES	YES	YES	33K	NO	NO	YES
U.K.	T	X25-6372-72									

- IC1-3 : KAN06
- IC4 : AK4394-VF
- IC5,6 : AK4393-VF
- IC7-15,28-30 : NJM4580ED
- IC16 : TC74VHC08FT
- IC17,26,27 : TC7SHU04FU
- IC18 : NJU3711M
- IC19 : TC74HCT7007AF
- IC20 : TC7WH34FU
- IC21 : PST9128NR
- IC22 : TC7WH74FU
- IC24 : TC7WH157FU
- IC31 : TC74VHC00FT
- IC32 : AK4380-VT
- IC33,34 : TC9214AF
- IC35,36 : TA7805S
- IC37 : TA79005S
- IC100 : MN101C28CMA
- IC101 : S-80740AL-A4
- IC102 : X25057M-2.7
- IC300 : ML6427
- IC301 : MM1221XF
- IC302 : MM1234XF
- IC400 : MM1443XJ
- IC401-403 : MM1224XF
- D1 : DAP202U
- D2,3 : KV1832E
- D5 : UDZ6.8B
- D8-14 : U1BC44
- D15,17,23,24 : MA111
- D16,18,20-22 : DA204U
- D19 : UDZ3.9B
- D25 : DAN202U
- D26 : UDZ5.6B
- Q3-6,13-24,26-29 : 2SC4213(B)
- Q7,8,25,34,412,413 : DTA124EUA
- Q9,10,30-33,100,397, 403,404 : DTC124EUA
- Q11 : 2SC4177(L5,L6)
- Q12 : 2SA1611(M5,M6)
- Q101,300,302,303,305,314, 316,318,319,321,322,398, 399,401,402,406,411 : 2SC4081(R,S)
- Q301 : 2SC2714(O,Y)
- Q304,313,315,317,320,405, 407,408,410 : 2SA1576A(R,S)
- Q400 : DTA143TUA
- Q409 : DTA113ZUA



CAUTION: For continued safety, replace safety critical components only with manufacturer's recommended parts (refer to parts list). Δ indicates safety critical components. For continued protection against risk of fire, replace only with same type and rating fuse(s). To reduce the risk of electric shock, leakage-current or resistance measurements shall be carried out (exposed parts are acceptably insulated from the supply circuit) before the appliance is returned to the customer.

The DC voltage is an actual reading measured with a high impedance type voltmeter with no signal input. The measurement value may vary depending on the measuring instruments used or on the product.



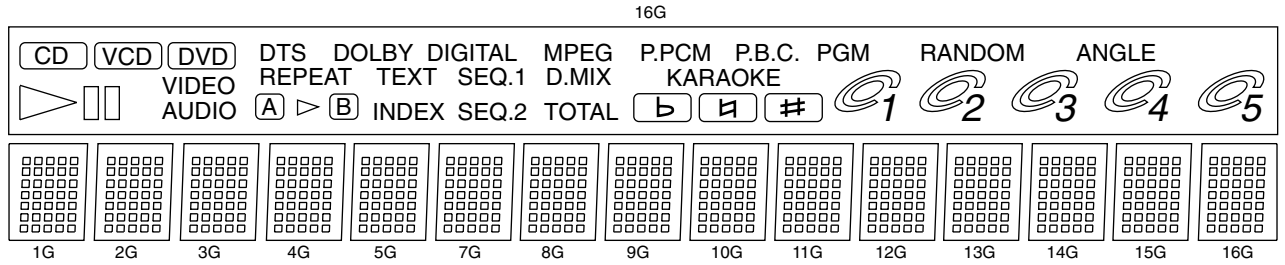
DV4900/4070-B (2/3)
DVF-R9030/R7030-B (2/3)

DV-4070-B/DVF-R7030-B/R9030

Y22-8310-00



(X14-7160-XX) (A/4)



DV-4090 (X14-7160-10)

DESTINATION	UNIT No.	D1-5
COUNTRY	ABB.	
U.S.A.	K	0-10 B30-2571-05 (BLU)

DV-4070-B (X14-7160-11)

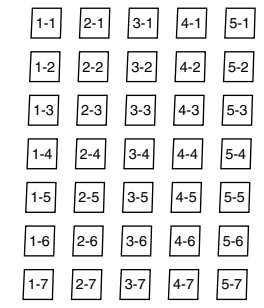
DESTINATION	UNIT No.	D1-5
COUNTRY	ABB.	
U.S.A.	K	0-11 B30-2583-05 (GRN)

DVF-R9030 (X14-7160-10)

DESTINATION	UNIT No.	D1-5
COUNTRY	ABB.	
GENERAL MARKET	M1	
AUSTRALIA	X1	
U.K.	T1	0-10 B30-2571-05 (BLU)
EUROPE	E1	
JAPAN	J	

DVF-R7030-B (X14-7160-11)

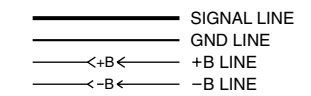
DESTINATION	UNIT No.	D1-5
COUNTRY	ABB.	
U.K.	T2	0-11 B30-2583-05 (GRN)
EUROPE	E2	



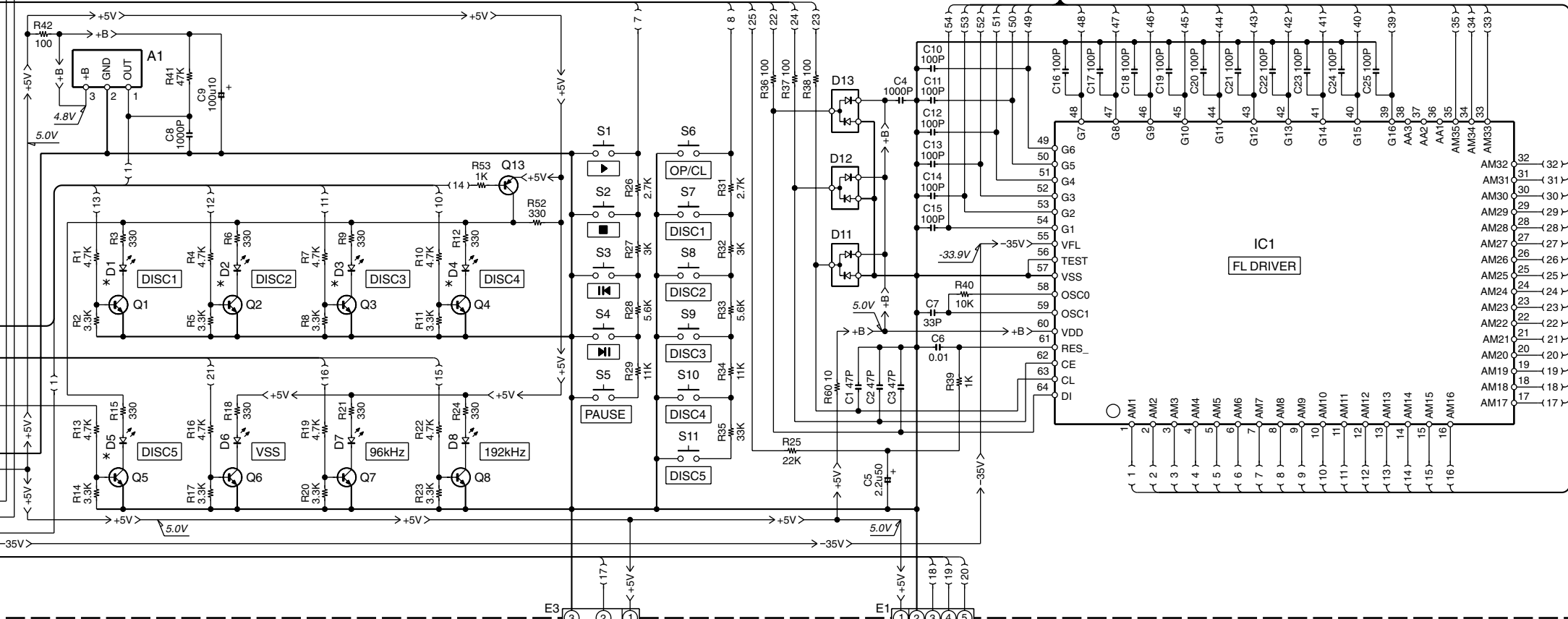
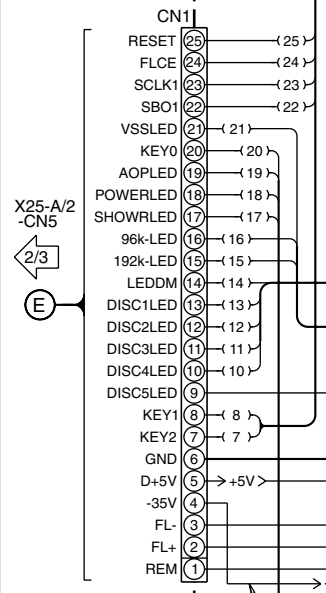
(1G-15G)

ANODE CONNECTION

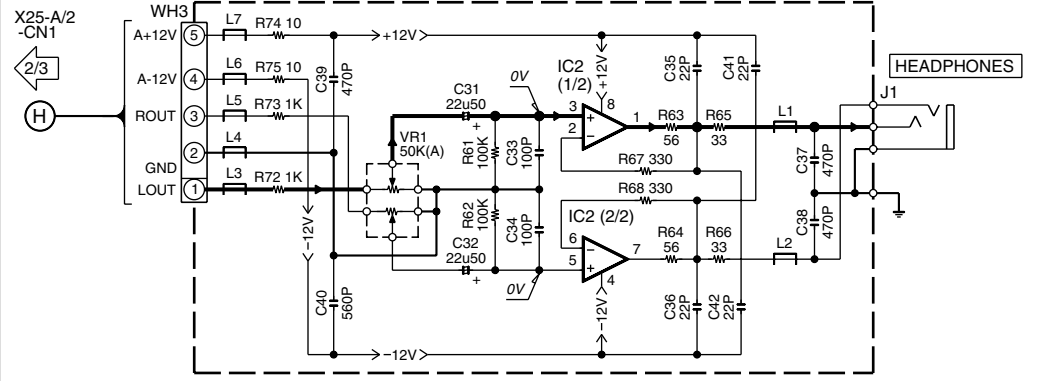
	1G-15G	16G
P1	1-1	▶
P2	2-1	CD
P3	3-1	□
P4	4-1	VCD
P5	5-1	AUDIO
P6	1-2	VIDEO
P7	2-2	DVD
P8	3-2	A ▶
P9	4-2	B
P10	5-2	REPEAT
P11	1-3	DTS
P12	2-3	INDEX
P13	3-3	TEXT
P14	4-3	DOLBY DIGITAL
P15	5-3	SEQ.2
P16	1-4	SEQ.1
P17	2-4	TOTAL
P18	3-4	D.MIX
P19	4-4	MPEG
P20	5-4	b
P21	1-5	■
P22	2-5	#
P23	3-5	KARAOKE
P24	4-5	P.
P25	5-5	PCM
P26	1-6	P.B.C.
P27	2-6	PGM
P28	3-6	① (1)
P29	4-6	② (2)
P30	5-6	③ (3)
P31	1-7	④ (4)
P32	2-7	⑤ (5)
P33	3-7	1 2 3 4 5
P34	4-7	RANDOM
P35	5-7	ANGLE



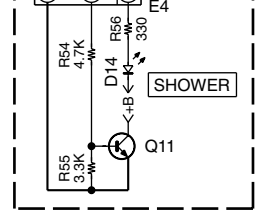
DV-4900 (K) (3/3)



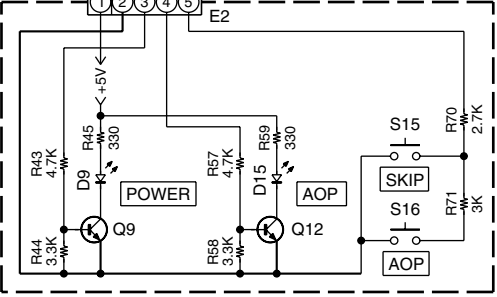
(X14-) (B/4)



(X14-) (C/4)



(X14-) (D/4)



- IC1 : LC75712E
- IC2 : NJM4580ED
- Q1-9,11,12 : 2SC1740S(Q,R) or 2SC2785(F,E)
- Q13 : 2SA954(L,K)
- D1-5 : *
- D6-9 : B30-2584-05
- D11-13 : DA204U
- D14,15 : B30-2571-05
- ED1 : 16-ST-43GNK

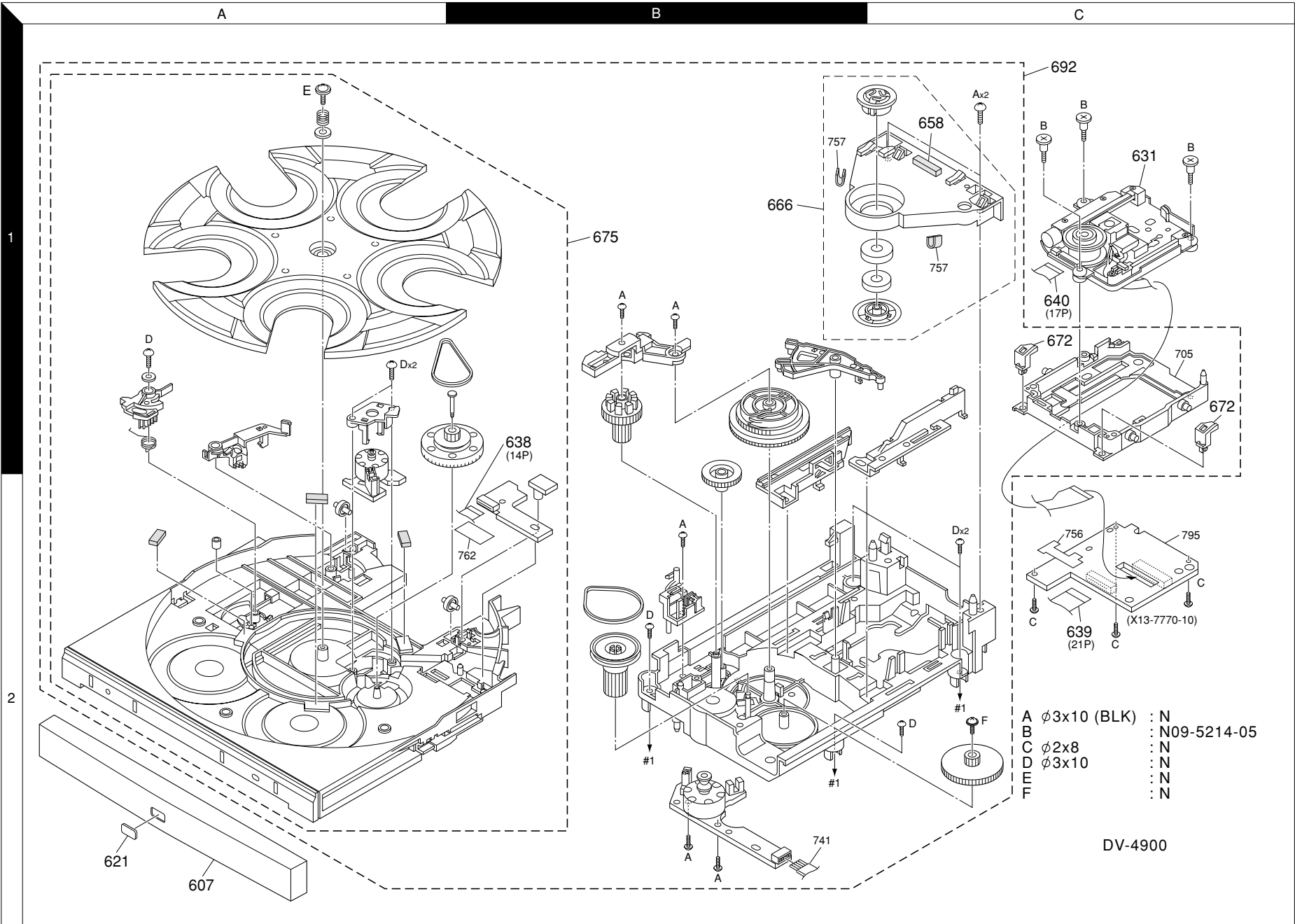
CAUTION: For continued safety, replace safety critical components only with manufacturer's recommended parts (refer to parts list). Δ indicates safety critical components. For continued protection against risk of fire, replace only with same type and rating fuse(s). To reduce the risk of electric shock, leakage-current or resistance measurements shall be carried out (exposed parts are acceptably insulated from the supply circuit) before the appliance is returned to the customer.

The DC voltage is an actual reading measured with a high impedance type voltmeter with no signal input. The measurement value may vary depending on the measuring instruments used or on the product.

DV-4070-B/DVF-R7030-B/R9030

DV-4070-B/DVF-R7030-B/R9030

EXPLODED VIEW (UNIT)



A	φ3x10 (BLK)	: N
B		: N09-5214-05
C	φ2x8	: N
D	φ3x10	: N
E		: N
F		: N

DV-4900

Parts with exploded numbers larger than 700 are not supplied.

DV-4070-B/DVF-R7030-B/R9030

PARTS LIST

* New Parts
 Parts without **Parts No.** are not supplied.
 Les articles non mentionnés dans le **Parts No.** ne sont pas fournis.
 Teile ohne **Parts No.** werden nicht geliefert.



Ref. No	Add-ress	New Parts	Parts No.	Description	Desti-nation	Re-marks
Q2			DTC124EUA	DIGITAL TRANSISTOR		
Q3			DTA124EUA	DIGITAL TRANSISTOR		
Q4			DTC124EUA	DIGITAL TRANSISTOR		
Q100			DTC124EUA	DIGITAL TRANSISTOR		
Q200,201			DTC124EUA	DIGITAL TRANSISTOR		
Q202			DTA124EUA	DIGITAL TRANSISTOR		
Q500			2SC4081(R,S)	TRANSISTOR		
Q501			2SA1576A(R,S)	TRANSISTOR		
Q502			DTC124EUA	DIGITAL TRANSISTOR		
Q601-605			2SA1576A(R,S)	TRANSISTOR		

L : Scandinavia **K** : USA **P** : Canada **R** : Mexico **C** : China **I** : Malaysia
Y : PX(Far East,Hawaii) **T** : England **E** : Europe **G** : Germany **V** : China(Shanghai)
Y : AAFES(Europe) **X** : Australia **Q** : Russia **H** : Korea **M** : Other Areas indicates safety critical components.