

In compliance with Federal Regulations, following are reproduction of labels on, or inside the product relating to laser product safety.

Caution : No connection of ground line if disassemble the unit. Please connect the ground line on rear panel, PCBs, Chassis and some others.

KENWOOD Corp. certifies this equipment conforms to DHHS Regulations No.21 CFR 1040. 10, Chapter 1, subchapter J.

DANGER : Laser radiation when open and interlock defeated. AVOID DIRECT EXPOSURE TO BEAM.

DVF-S500

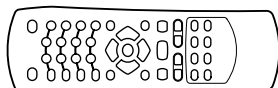
ACCESSORIES / CAUTIONS

Accessories

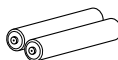
Digital Cable (Optical) ... (1)
(E35-3626-08)



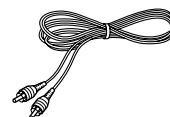
Remote control unit (1)
(A70-1645-08)



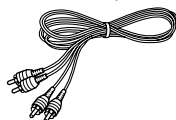
Batteries (R03/"AAA" -size) ... (2)



Video cord (Yellow) (1)
(E30-7311-08)



Audio cord (White / Red) ... (1)
(E30-7310-08)



Cautions

Operation to reset

The microprocessor may fall into malfunction (impossibility to operate erroneous display, etc.) when the power cord is unplugged while power is ON or due to an external factor.

In this case, switch off the power, wait for several seconds, and then switch the power on again.

Return to the factory defaults by resetting the microprocessor is done as shown as follows.

Unplug the power cord after turn the ϕ (POWER) key OFF. Then, while holding down the ϕ (POWER) key, plug the power cord.

- Please note that resetting the microcomputer will clear the contents of the memory and returns the unit to the state it was in when it left the factory.

Note related to transportation and movement

Before transporting or moving this unit, carry out the following operations.

1. Set the ϕ (POWER) key to the ON without loading a disc.
2. Wait a few seconds and verify that the display shown appears.

NO DISC

3. Set the ϕ (POWER) key to OFF.

Caution on condensation

Condensation (of dew) may occur inside the unit when there is a great difference in temperature between this unit and the outside. This unit may not function properly if condensation occurs. In this case, leave the unit for a few hours and restart the operation after the condensation has dried up.

Be specially cautious against condensation in the following circumstances: When this unit is carried from one place to another across a large difference in temperature, when the humidity in the room where this unit is installed increases, etc.

Manufactured under license from Dolby Laboratories.
"Dolby" and the double-D symbol are trademarks of Dolby Laboratories.

"DTS" and "DTS Digital Out" are trademarks of Digital Theater Systems, Inc.



This product incorporates copyright protection technology that is protected by U.S. patents and other intellectual property rights. Use of this copyright protection technology must be authorized by Macrovision, and is intended for home and other limited viewing uses only unless otherwise authorized by Macrovision. Reverse engineering or disassembly is prohibited.

Consumers should note that not all high definition television sets are fully compatible with this product and may cause artifacts to be displayed in the picture. In case of 525 progressive scan picture problems, it is recommended that the user switch the connection to the "STANDARD DEFINITION" output. If there are questions regarding our TV set compatibility with this model 525p DVD player, please contact our customer service center.

For the U.S.A.

CAUTION

Use of controls or adjustments or performance of procedures other than those specified herein may result in hazardous radiation exposure.

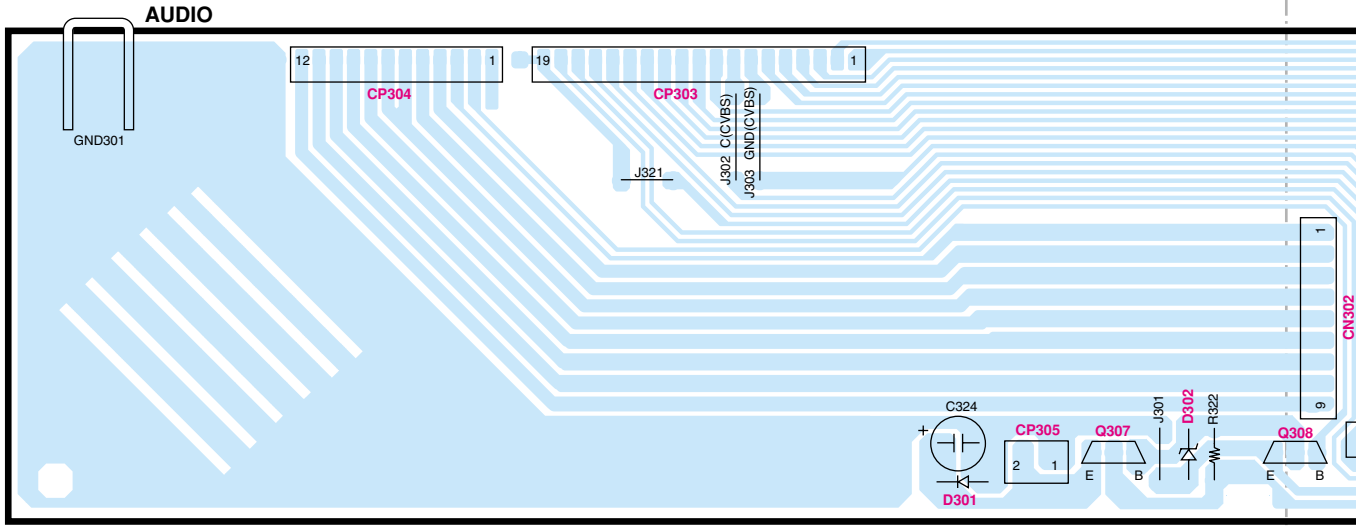
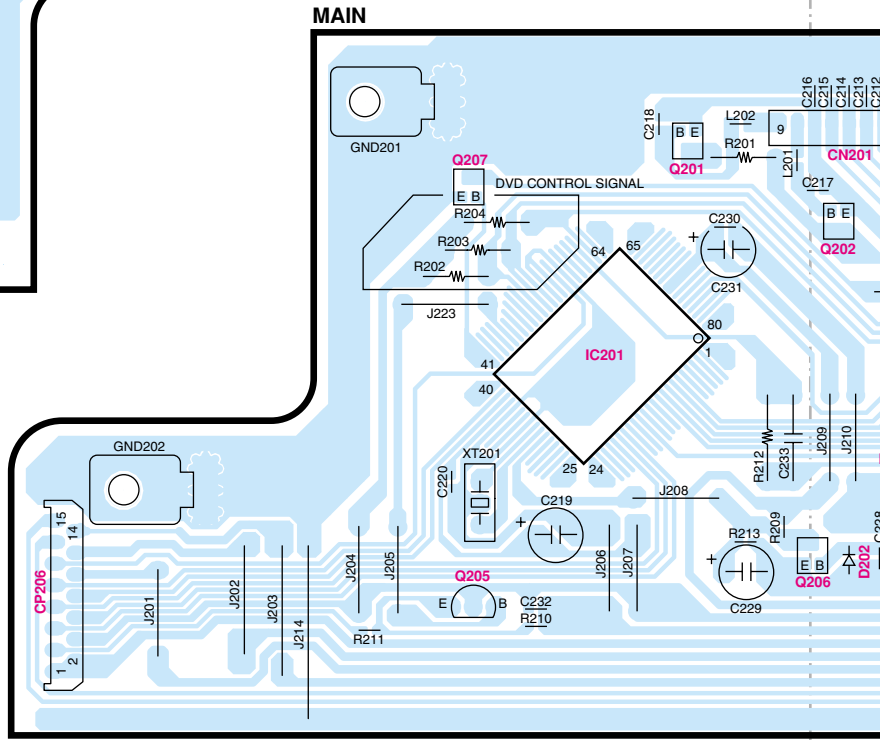
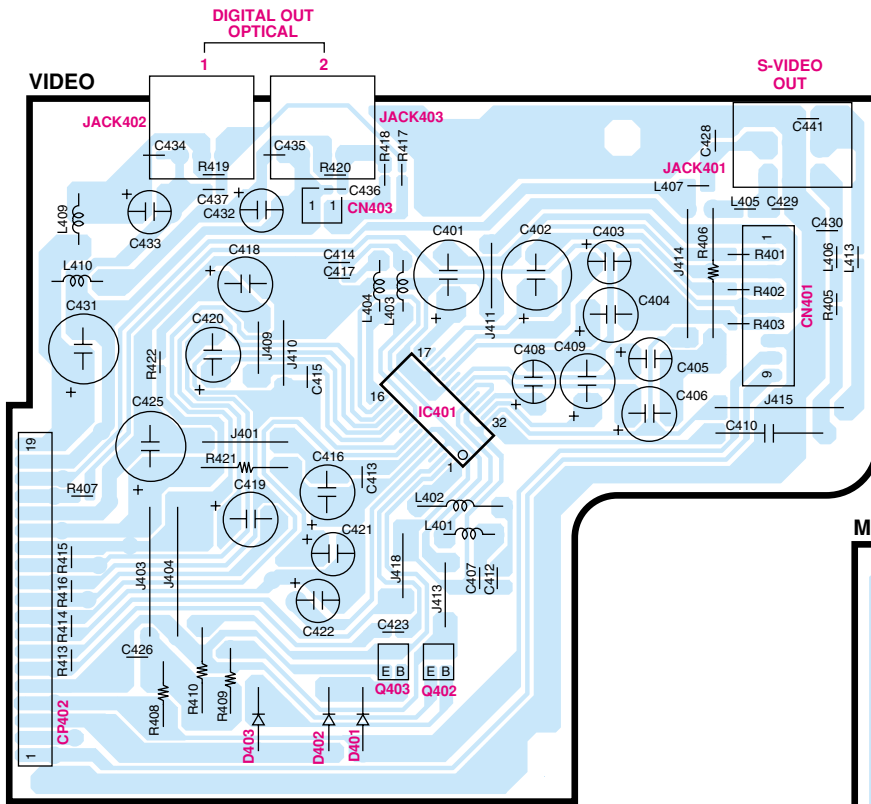
In compliance with Federal Regulations, the following are reproductions of labels on, or inside the product relating to laser product safety.

KENWOOD CORPORATION
2967-3, ISHIKAWA-CHO,
HACHIOJI-SHI,
TOKYO, JAPAN

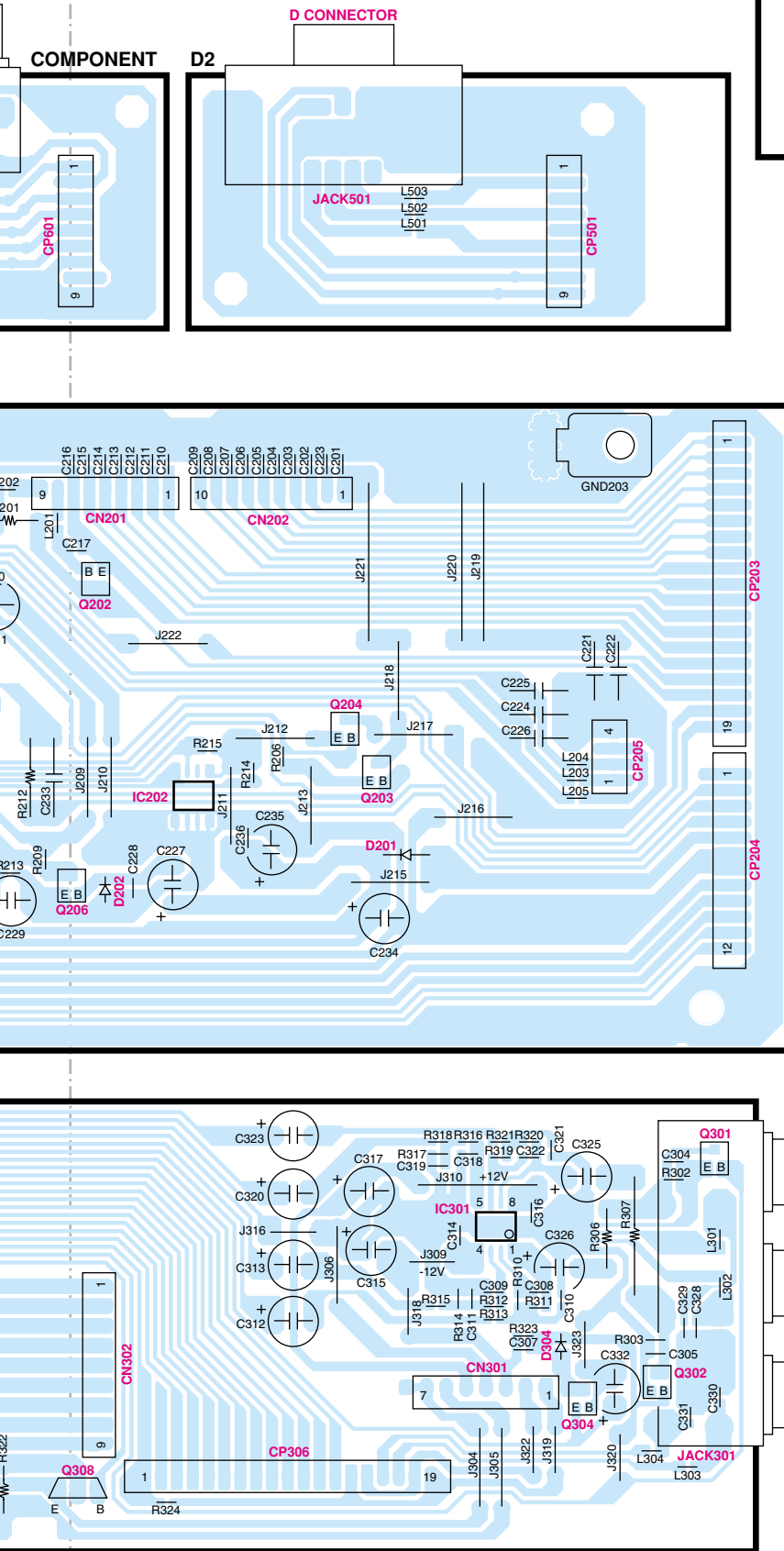
KENWOOD CORP. CERTIFIES THIS EQUIPMENT
CONFORMS TO DHHS REGULATIONS NO. 21 CFR
1040.10, CHAPTER 1, SUBCHAPTER J.

Location: Back Panel

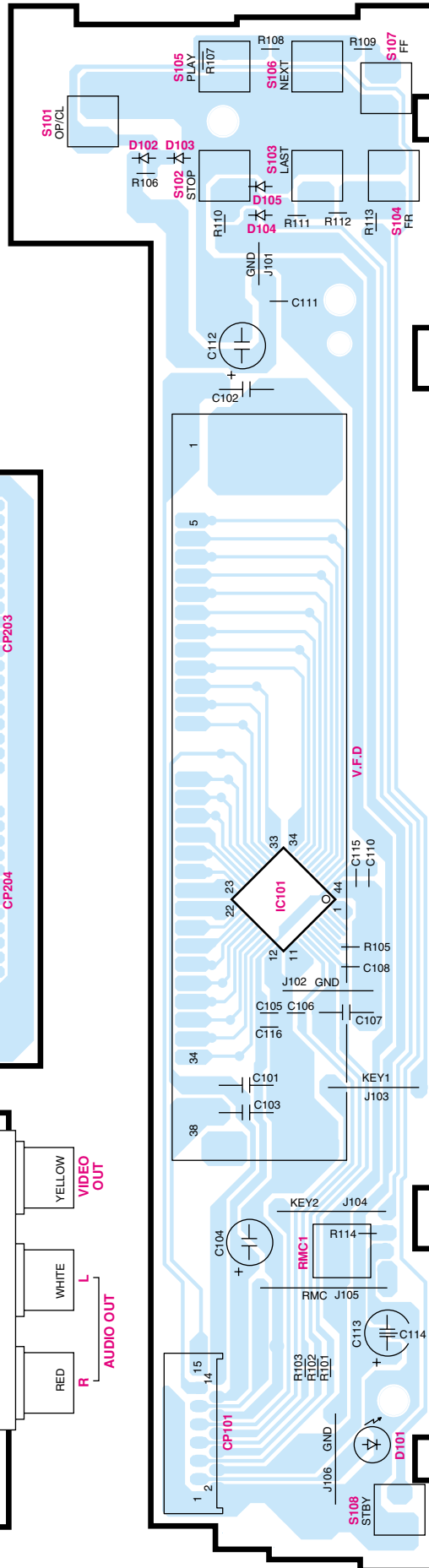
PC BOARD



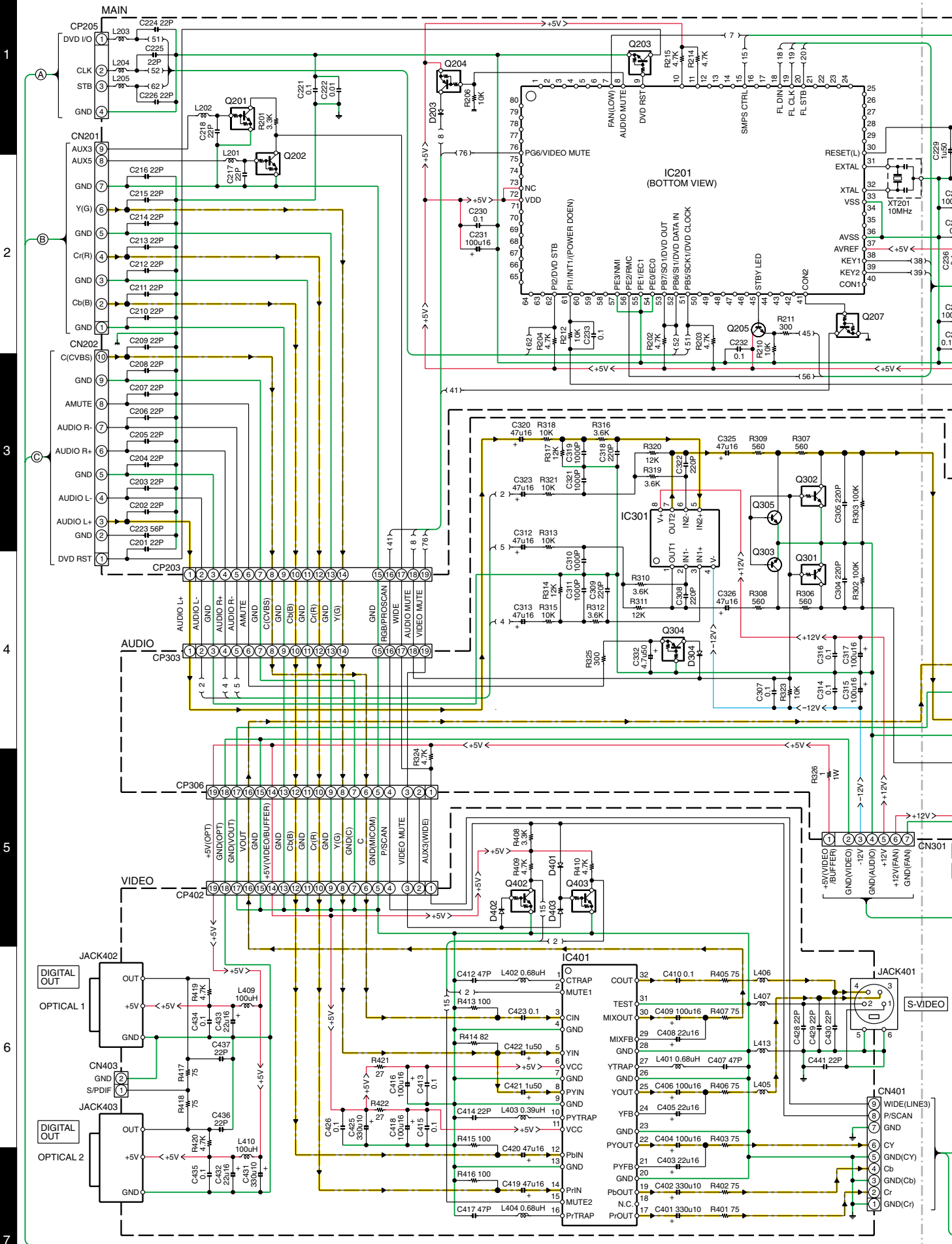
PC BOARD



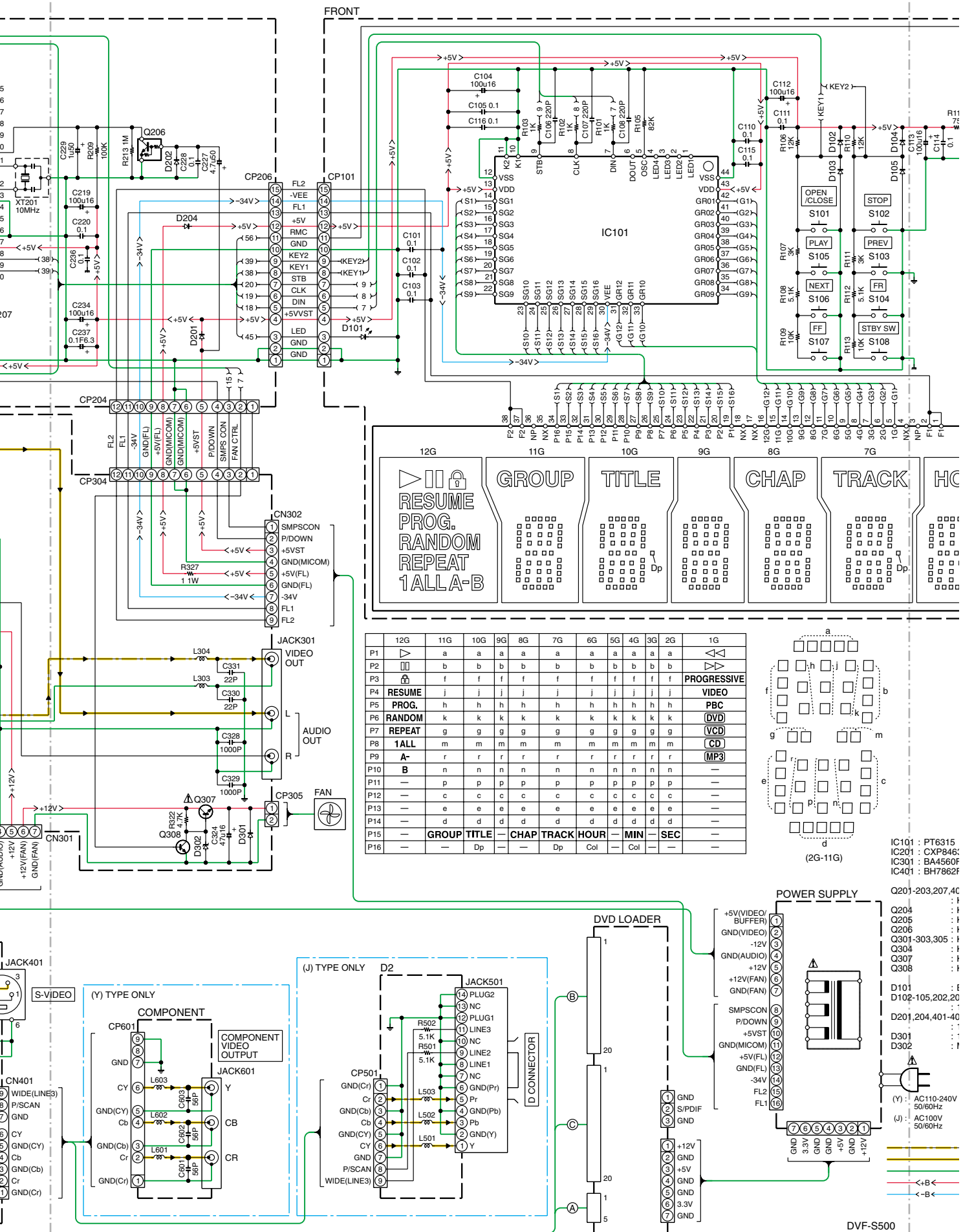
FRONT



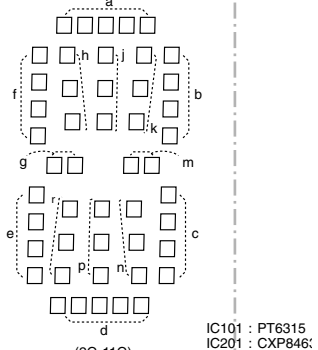
DVF-S500



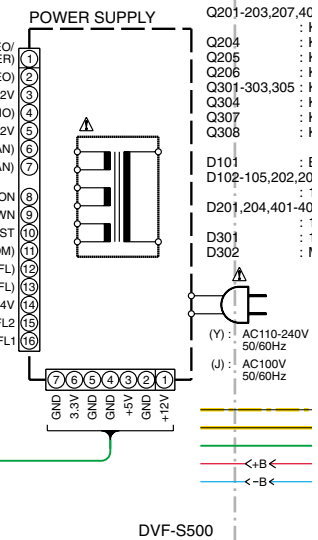
DVF-S500



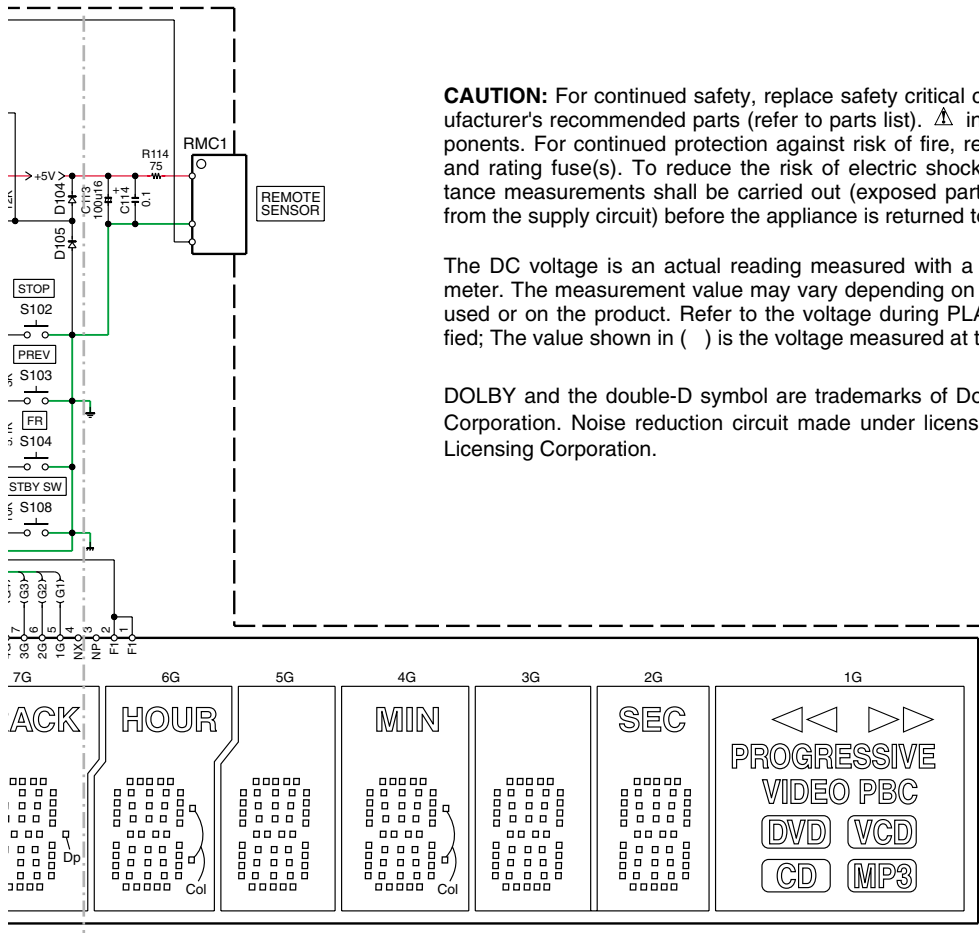
	12G	11G	10G	9G	8G	7G	6G	5G	4G	3G	2G	1G
P1	▶	a	a	a	a	a	a	a	a	a	a	▶▶
P2	⏏	b	b	b	b	b	b	b	b	b	b	▶▶
P3		f	f	f	f	f	f	f	f	f	f	PROGRESSIVE
P4	RESUME	j	j	j	j	j	j	j	j	j	j	VIDEO
P5	PROG.	h	h	h	h	h	h	h	h	h	h	PBC
P6	RANDOM	k	k	k	k	k	k	k	k	k	k	DVD
P7	REPEAT	g	g	g	g	g	g	g	g	g	g	VCD
P8	1ALL	m	m	m	m	m	m	m	m	m	m	CD
P9	A-	r	r	r	r	r	r	r	r	r	r	MP3
P10	B	n	n	n	n	n	n	n	n	n	n	
P11		p	p	p	p	p	p	p	p	p	p	
P12		c	c	c	c	c	c	c	c	c	c	
P13		e	e	e	e	e	e	e	e	e	e	
P14		d	d	d	d	d	d	d	d	d	d	
P15		GROUP	TITLE	CHAP	TRACK	HR	MIN	SEC				
P16			Dp		Dp	Col	Col					



IC101 : PT6315
 IC201 : CXP8461
 IC301 : BA4560F
 IC401 : BH7862F



Q201-203,207,4C :
 Q204 :
 Q205 :
 Q206 :
 Q301-303,305 :
 Q304 :
 Q307 :
 Q308 :
 D101 :
 D102-105,202,20 :
 D201,204,401-40 :
 D301 :
 D302 :
 (Y) : AC110-240V
 50/60Hz
 (J) : AC100V
 50/60Hz



CAUTION: For continued safety, replace safety critical components only with manufacturer's recommended parts (refer to parts list). Δ indicates safety critical components. For continued protection against risk of fire, replace only with same type and rating fuse(s). To reduce the risk of electric shock, leakage-current or resistance measurements shall be carried out (exposed parts are acceptably insulated from the supply circuit) before the appliance is returned to the customer.

The DC voltage is an actual reading measured with a high impedance type voltmeter. The measurement value may vary depending on the measuring instruments used or on the product. Refer to the voltage during PLAY unless otherwise specified; The value shown in () is the voltage measured at the moment of STOP.

DOLBY and the double-D symbol are trademarks of Dolby Laboratories Licensing Corporation. Noise reduction circuit made under license from Dolby Laboratories Licensing Corporation.

- IC101 : PT6315
- IC201 : CXP84632-323Q
- IC301 : BA4560F
- IC401 : BH7862FS

- Q201-203,207,402,403 : KRC102S
- Q204 : KRA102S
- Q205 : KSC1845F
- Q206 : KRC107S
- Q301-303,305 : KRC231S
- Q304 : KRA107S
- Q307 : KTC3205Y
- Q308 : KRC102M

- D101 : B30-2664-08
- D102-105,202,203,304 : 1N4148WS
- D201,204,401-403 : 1SS133T
- D301 : 1N4007
- D302 : MTZ9.1B

- (Y) : AC110-240V
50/60Hz
- (J) : AC100V
50/60Hz

- DIGITAL LINE
- SIGNAL LINE
- GND LINE
- +B LINE
- -B LINE

* New Parts

Parts without **Parts No.** are not supplied.
Les articles non mentionnés dans le **Parts No.** ne sont pas fournis.
Teile ohne **Parts No.** werden nicht geliefert.

1

Ref. No	Add-ress	New Parts	Parts No.	Description	Desti-nation	Re-marks
DVF-S500						
-		*	B60-5394-08	INSTRUCTION MA	5707047420170	
-			H10-7913-08	CUSHION,SNOW	6230210774000	
-			H25-1601-08	POLY BAG	6337000240010	
602	2B	*	W20-0035-08	BOX,GIFT	6007210570040	
		*	K29-8341-08	BUTTON	5097212161000Z	
603	2B	*	K29-8342-08	BUTTON	5097212171000Z	
604	2A	*	K29-8339-08	BUTTON	5097212131000Z	
605	2A,2C	*	E35-3625-08	CABLE,FLAT CAR	L301121150010	
609	1C	*	E30-7309-08	CORD ASSY	L068000000120	
610	1A	*	E30-7310-08	CORD,RCA	L063028400030	
611	1A	*	E30-7311-08	CORD,RCA	L063040550000	
612	1B	*	A21-5475-08	COVER	4317211168000	
613	1B	*	A29-1232-08	COVER	4317211171000	
615	2A,2C	*	G11-2949-08	CUSHION	4050210875000	
617	2A	*	A22-1985-08	FRAME	3217210431000	
618	2A	*	B11-1595-08	LENS	3710210423000	
619	1B	*	D40-1826-08	MECHA	8030602800020	
620	2A	*	A60-2373-08	PANEL	3067211388000	
621	2C	*	W02-4536-08	POWER PUPPY	8208000170010	
622	1A	*	A70-1645-08	REMOCON	8300051200010	
623	2A		B11-1593-08	FILTER	5200210142000	
624	2A		B11-1594-08	FILTER	5200210152000	
625	1A	*	E35-3626-08	CN,WIRE	L000102000010	
626	2C	*	J19-6161-08	SPACER	4300040561010	
628	2A	*	B10-3996-08	WINDOW ASSY	5078211073000	
629	1C		J42-0358-08	STOPPER	4380040172010	
632	1B	*	A01-3919-08	CABINET	3000210396100	
634	2C	*	J19-0306-05	CLAMP	4330000310000	
FAN	1C	*	F09-0184-08	FAN,DC	G720123000010	
G			N89-3008-41	SCREW,TAP TITE	B020030084B10	
ELECTRIC PARTS						
D101		*	B30-2664-08	LED,ROUND	K500032000100	
C101-103		*	C91-1661-08	FILM	0.1UF K	
C104			CE04LW1C101M	ELECTRO	100UF 16WV	
C105			CK73GB1H104K	CHIP C	0.10UF K	
C106			CC73GSL1H221J	CHIP C	220PF J	
C107			C91-0749-05	CERAMIC	220PF K	
C108			CC73GSL1H221J	CHIP C	220PF J	
C110,111			CK73GB1H104K	CHIP C	0.10UF K	
C112,113			CE04LW1C101M	ELECTRO	100UF 16WV	
C114-116			CK73GB1H104K	CHIP C	0.10UF K	
C201-218			CC73GCH1H560J	CHIP C	56PF J	
C219			CE04LW1C101M	ELECTRO	100UF 16WV	
C220			CK73GB1H104K	CHIP C	0.10UF K	
C221		*	C91-1661-08	FILM	0.1UF K	
C222			C91-0769-05	CERAMIC	0.010UF K	
C223			CC73GCH1H560J	CHIP C	56PF J	
C224-226			C91-0729-05	CERAMIC	22PF J	
C227			CE04LW1H4R7M	ELECTRO	4.7UF 50WV	
C228			CK73GB1H104K	CHIP C	0.10UF K	
C229			CE04LW1H010M	ELECTRO	1.0UF 50WV	
C230			CK73GB1H104K	CHIP C	0.10UF K	

L : Scandinavia K : USA P : Canada R : Mexico C : China I : Malaysia
Y : PX(Far East,Hawaii) T : England E : Europe G : Germany V : China(Shanghai)
Y : AAFES(Europe) X : Australia Q : Russia H : Korea M : Other Areas Δ indicates safety critical components .

* New Parts

Parts without **Parts No.** are not supplied.
Les articles non mentionnés dans le **Parts No.** ne sont pas fournis.
Teile ohne **Parts No.** werden nicht geliefert.

2

Ref. No	Add-ress	New Parts	Parts No.	Description	Desti-nation	Re-marks
C231			CE04LW1C101M	ELECTRO	100UF	16WV
C232			CK73GB1H104K	CHIP C	0.10UF	K
C233		*	C91-1661-08	FILM	0.1UF	K
C234			CE04LW1C101M	ELECTRO	100UF	16WV
C236			CK73GB1H104K	CHIP C	0.10UF	K
C237		*	C90-5801-08	BACKUP	0.1F	6.3WV
C304,305			CC73GSL1H221J	CHIP C	220PF	J
C307			CK73GB1H104K	CHIP C	0.10UF	K
C308,309			CC73GSL1H221J	CHIP C	220PF	J
C310,311			CK73GB1H102K	CHIP C	1000PF	K
C312,313			CE04LW1C470M	ELECTRO	47UF	16WV
C314			CK73GB1H104K	CHIP C	0.10UF	K
C315			CE04LW1C101M	ELECTRO	100UF	16WV
C316			CK73GB1H104K	CHIP C	0.10UF	K
C317			CE04LW1C101M	ELECTRO	100UF	16WV
C318			CC73GSL1H221J	CHIP C	220PF	J
C319			CK73GB1H102K	CHIP C	1000PF	K
C320			CE04LW1C470M	ELECTRO	47UF	16WV
C321			CK73GB1H102K	CHIP C	1000PF	K
C322			CC73GSL1H221J	CHIP C	220PF	J
C323-326			CE04LW1C470M	ELECTRO	47UF	16WV
C328,329			CK73GB1H102K	CHIP C	1000PF	K
C330,331			CC73GCH1H560J	CHIP C	56PF	J
C332			CE04LW1H470M	ELECTRO	47UF	50WV
C401,402			CE04LW1A331M	ELECTRO	330UF	10WV
C403			CE04LW1C220M	ELECTRO	22UF	16WV
C404			CE04LW1C101M	ELECTRO	100UF	16WV
C405			CE04LW1C220M	ELECTRO	22UF	16WV
C406			CE04LW1C101M	ELECTRO	100UF	16WV
C407			CC73GSL1H470J	CHIP C	47PF	J
C408			CE04LW1C220M	ELECTRO	22UF	16WV
C409			CE04LW1C101M	ELECTRO	100UF	16WV
C410		*	C91-1661-08	FILM	0.1UF	K
C412			CC73GSL1H470J	CHIP C	47PF	J
C413			CK73GB1H104K	CHIP C	0.10UF	K
C414			CC73GCH1H220J	CHIP C	22PF	J
C415			CK73GB1H104K	CHIP C	0.10UF	K
C416			CE04LW1C101M	ELECTRO	100UF	16WV
C417			CC73GSL1H470J	CHIP C	47PF	J
C418			CE04LW1C101M	ELECTRO	100UF	16WV
C419,420			CE04LW1C470M	ELECTRO	47UF	16WV
C421,422			CE04LW1H010M	ELECTRO	1.0UF	50WV
C423			CK73GB1H104K	CHIP C	0.10UF	K
C425			CE04LW1A331M	ELECTRO	330UF	10WV
C426			CK73GB1H104K	CHIP C	0.10UF	K
C428-430			CC73GCH1H220J	CHIP C	22PF	J
C431			CE04LW1A331M	ELECTRO	330UF	10WV
C432,433			CE04LW1C220M	ELECTRO	22UF	16WV
C434,435			CK73GB1H104K	CHIP C	0.10UF	K
C436,437			CC73GCH1H220J	CHIP C	22PF	J
C441			CC73GCH1H220J	CHIP C	22PF	J
C601-603			CC73GCH1H560J	CHIP C	56PF	J
CP101		*	E41-1028-08	CN.FPC 1.25MM	L131101500010	
CP206		*	E41-1029-08	CN.FPC 1.25MM	L131111500010	

L : Scandinavia K : USA P : Canada R : Mexico C : China I : Malaysia
Y : PX(Far East,Hawaii) T : England E : Europe G : Germany V : China(Shanghai)
Y : AAFES(Europe) X : Australia Q : Russia H : Korea M : Other Areas Δ indicates safety critical components .

PARTS LIST

DVF-S500

* New Parts
Parts without **Parts No.** are not supplied.
Les articles non mentionnés dans le **Parts No.** ne sont pas fournis.
Teile ohne **Parts No.** werden nicht geliefert.

③

Ref. No	Add- ress	New Parts	Parts No.	Description	Desti- nation	Re- marks
JACK301		*	E63-1336-08	TER,RCA 3PIN G606030174020		
JACK401		*	E11-0975-08	TER,S 1PIN G600000020020		
JACK601		*	E63-1335-08	TER,RCA 3PIN G606030174010		
L201-205			L92-0523-08	BEAD,COIL CHIP 7611010000020		
L303,304			L92-0523-08	BEAD,COIL CHIP 7611010000020		
L401,402		*	L33-1672-08	COIL,FILTER-IN D330R68001020		
L403		*	L33-1673-08	COIL,FILTER-IN D330R39100520		
L404		*	L33-1672-08	COIL,FILTER-IN D330R68001020		
L405-407			L92-0523-08	BEAD,COIL CHIP 7611010000020		
L409,410			L33-1671-08	COIL,FILTER-IN D330101001020		
L413			L92-0523-08	BEAD,COIL CHIP 7611010000020		
L601-603			L92-0523-08	BEAD,COIL CHIP 7611010000020		
XT201			L78-0294-05	RESONATOR,CERA E830100000050		
R101-103			RK73GB1J102J	CHIP R 1.0K J 1/16W		
R105			RK73GB1J823J	CHIP R 82K J 1/16W		
R106			RK73GB1J123J	CHIP R 12K J 1/16W		
R107			RK73GB1J302J	CHIP R 3.0K J 1/16W		
R108			RK73GB1J512J	CHIP R 5.1K J 1/16W		
R109			RK73GB1J103J	CHIP R 10K J 1/16W		
R110			RK73GB1J123J	CHIP R 12K J 1/16W		
R111			RK73GB1J302J	CHIP R 3.0K J 1/16W		
R112			RK73GB1J512J	CHIP R 5.1K J 1/16W		
R113			RK73GB1J103J	CHIP R 10K J 1/16W		
R114			RK73GB1J750J	CHIP R 75 J 1/16W		
R206			RK73GB1J103J	CHIP R 10K J 1/16W		
R209			RK73GB1J104J	CHIP R 100K J 1/16W		
R210			RK73GB1J103J	CHIP R 10K J 1/16W		
R211			RK73GB1J301J	CHIP R 300 J 1/16W		
R213			RK73GB1J105J	CHIP R 1.0M J 1/16W		
R214, 215			RK73GB1J472J	CHIP R 4.7K J 1/16W		
R302, 303			RK73GB1J104J	CHIP R 100K J 1/16W		
R308,309			RK73GB1J561J	CHIP R 560 J 1/16W		
R310			RK73GB1J362J	CHIP R 3.6K J 1/16W		
R311			RK73GB1J123J	CHIP R 12K J 1/16W		
R312			RK73GB1J362J	CHIP R 3.6K J 1/16W		
R313			RK73GB1J103J	CHIP R 10K J 1/16W		
R314			RK73GB1J123J	CHIP R 12K J 1/16W		
R315			RK73GB1J103J	CHIP R 10K J 1/16W		
R316			RK73GB1J362J	CHIP R 3.6K J 1/16W		
R317			RK73GB1J123J	CHIP R 12K J 1/16W		
R318			RK73GB1J103J	CHIP R 10K J 1/16W		
R319			RK73GB1J362J	CHIP R 3.6K J 1/16W		
R320			RK73GB1J123J	CHIP R 12K J 1/16W		
R321			RK73GB1J103J	CHIP R 10K J 1/16W		
R323			RK73GB1J103J	CHIP R 10K J 1/16W		
R324			RK73GB1J472J	CHIP R 4.7K J 1/16W		
R325			RK73GB1J301J	CHIP R 300 J 1/16W		
R326,327			RS14GB3A010J	FL-PROOF RS 1.0 J 1W		
R401-403			RK73GB1J750J	CHIP R 75 J 1/16W		
R405			RK73GB1J750J	CHIP R 75 J 1/16W		
R407			RK73GB1J750J	CHIP R 75 J 1/16W		
R413			RK73GB1J101J	CHIP R 100 J 1/16W		
R414			RK73GB1J820J	CHIP R 82 J 1/16W		
R415,416			RK73GB1J101J	CHIP R 100 J 1/16W		

L : Scandinavia K : USA P : Canada R : Mexico C : China I : Malaysia
Y : PX(Far East,Hawaii) T : England E : Europe G : Germany V : China(Shanghai)
Y : AAFES(Europe) X : Australia Q : Russia H : Korea M : Other Areas Δ indicates safety critical components .

* New Parts
Parts without **Parts No.** are not supplied.
Les articles non mentionnés dans le **Parts No.** ne sont pas fournis.
Teile ohne **Parts No.** werden nicht geliefert.

④

Ref. No	Add- ress	New Parts	Parts No.	Description	Desti- nation	Re- marks
R417,418			RK73GB1J750J	CHIP R 75 J 1/16W		
R419,420			RK73GB1J472J	CHIP R 4.7K J 1/16W		
R422			RK73GB1J270J	CHIP R 27 J 1/16W		
S101-108			S70-0105-08	SW,TACT G180000270010		
D102-105		*	1N4148WS	D,SWITCHING CH K005041480010		
D201			1SS133T	D,SWITCHING K000013300520		
D202,203		*	1N4148WS	D,SWITCHING CH K005041480010		
D204			1SS133T	D,SWITCHING K000013300520		
D301			1N4007	D,SWITCHING K000400700520		
D302			MTZJ9.1B	D,ZENER K06009R144520		
D304		*	1N4148WS	D,SWITCHING CH K005041480010		
D401-403			1SS133T	D,SWITCHING K000013300520		
IC101		*	PT6315	IC,LINEAR-DRIV J127631500010		
IC201		*	CXP84632-323Q	IC,CPU MICRO P J020846323230		
IC301			BA4560F	IC,LINEAR OP J121456000041		
IC401		*	BH7862FS	IC,LINEAR-DRIV J127786200000		
Q201-203			KRC102S	SEMI,CHIP TR/N J522010200210		
Q204			KRA102S	SEMI,CHIP TR/P J520010200210		
Q205			KSC1845F	SEMI,TR/GE NPN J5021845F0000		
Q206			KRC107S	SEMI,TR/GE NPN J5020107S0050		
Q207			KRC102S	SEMI,CHIP TR/N J522010200210		
Q301-303		*	KRC231S	SEMI,CHIP TR/N J5220231M0010		
Q304			KRA107S	SEMI,CHIP TR/P J5200107S0050		
Q305		*	KRC231S	SEMI,CHIP TR/N J5220231M0010		
Δ Q307			KTC3205Y	SEMI,TR/GE NPN J5023205Y0020		
Q308			KRC102M	SEMI,BRT/NPN R J6020102M0010		
Q402,403			KRC102S	SEMI,CHIP TR/N J522010200210		
RMC1		*	W02-4538-08	MODULE,REMOCON E940633800000		
VFD		*	HNA-12SM55T	DISPLAY,FLT K530125500010		
JACK402,3		*	W02-4537-08	MODULE E100151300010		

L : Scandinavia K : USA P : Canada R : Mexico C : China I : Malaysia
Y : PX(Far East,Hawaii) T : England E : Europe G : Germany V : China(Shanghai)
Y : AAFES(Europe) X : Australia Q : Russia H : Korea M : Other Areas Δ indicates safety critical components .

DVF-S500

SPECIFICATIONS

[Type]

System DVD video player
Signal read system Semiconductor laser
Wave length For DVD ; 640 to 660 nm
For CD ; 775 to 805 nm
Laser power class Class 1 (IEC)

[Digital / Audio section]

D/A Convertor
D/A conversion 24 Bit
Oversampling 4 fs (Sampling frequency; 48 kHz)
Frequency response
Sampling frequency ; 44.1 kHz 8 Hz ~ 20 kHz
Sampling frequency ; 48 kHz 8 Hz ~ 22 kHz
Sampling frequency ; 96 kHz 8 Hz ~ 44 kHz
Signal to noise ratio More than 105 dB
Dynamic range More than 94 dB (16 bit)
Total harmonic distortion Less than 0.007 % (at 1 kHz)
Channel separation More than 85 dB (at 1 kHz)
Wow and flutter Below measurable limit
Analog output level/impedance 2 V / 1.2 k Ω
Digital output level/impedance
COAXIAL 0.5 Vp-p / 75 Ω
OPTICAL -21 dBm ~ -15 dBm (Wave length 660 nm)

[Video Section]

D/A Convertor
D/A conversion 10 Bit
Oversampling 4 fs (Sampling frequency; 13.5 MHz)
Video output format NTSC/PAL
Composite video output level
..... 1 Vp-p (75 Ω load, sync. negative)
S-video output level
(Y-signal) 1 Vp-p (75 Ω load, sync. negative)
(C-signal)
NTSC 0.286 Vp-p (75 Ω)
PAL 0.300 Vp-p (75 Ω)
Component Video output level
(Y-signal) 1 Vp-p (75 Ω)
(Cb-signal) 0.7 Vp-p (75 Ω)
(Cr-signal) 0.7 Vp-p (75 Ω)
Horizontal resolution 500 lines (Composite output)
Video signal to noise ratio
..... More than 62 dB (Composite output)

[General]

Power consumption 15 W (at 240V)
Standby power consumption 1.2 W (at 240V)
Dimensions W : 220 mm (8-11/16")
H : 77 mm (3-1/16")
D : 308 mm (12-1/8")
Weight (net) 2.8 kg (5.5 lb)



KENWOOD follows a policy of continuous advancements in development. For this reason specifications may be changed without notice.

- Sufficient performance may not be exhibited at extremely cold locations (Where water freezes).