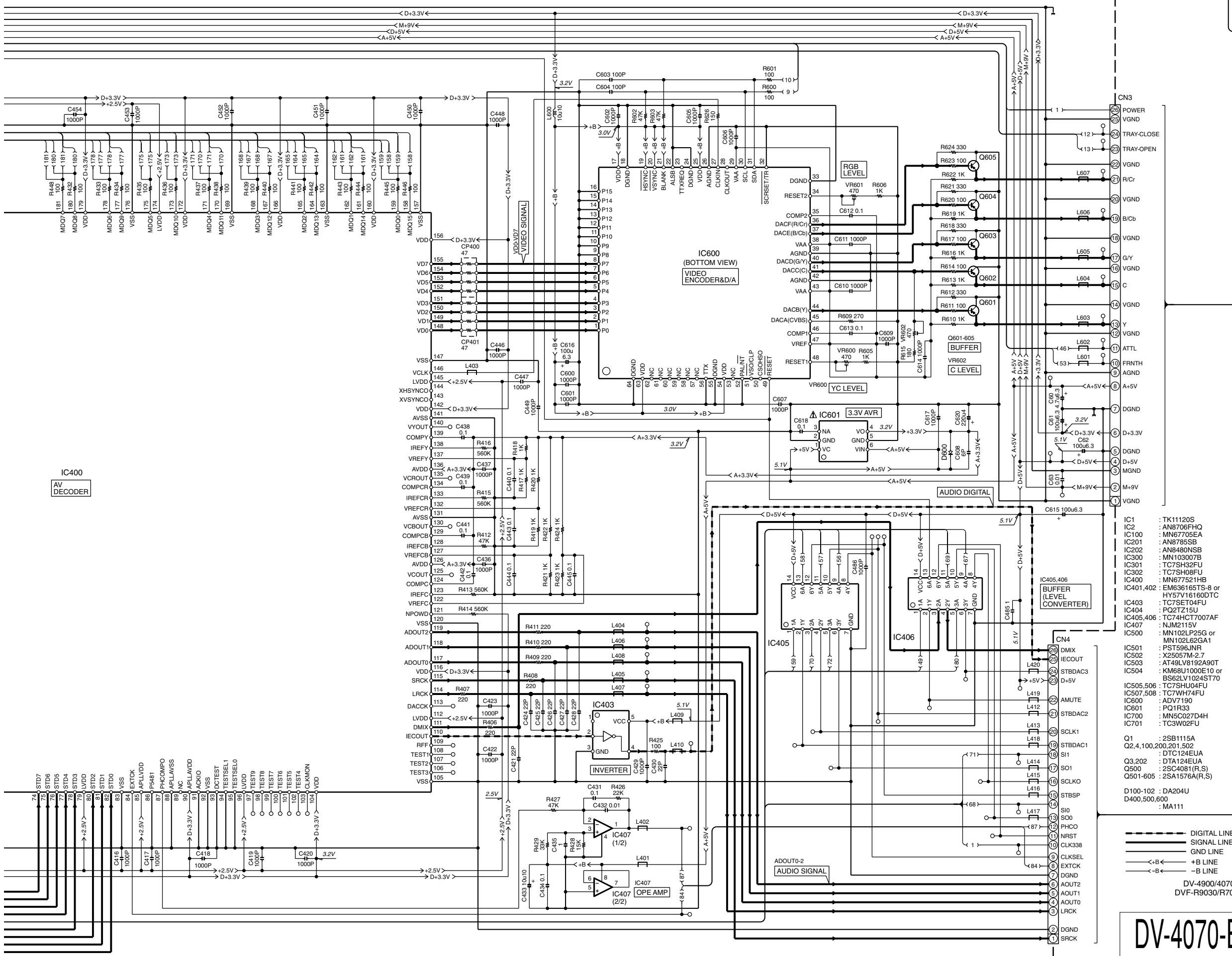


(X35-2240-10)



X00-CN0
1/2
A

X25-CN4
2/3
C

X25-A/2
2/3
D

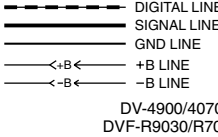
CAUTION: For continued safety, replace safety critical components only with manufacturer's recommended parts (refer to parts list). Δ indicates safety critical components. For continued protection against risk of fire, replace only with same type and rating fuse(s). To reduce the risk of electric shock, leakage-current or resistance measurements shall be carried out (exposed parts are acceptably insulated from the supply circuit) before the appliance is returned to the customer.

The DC voltage is an actual reading measured with a high impedance type voltmeter with no signal input. The measurement value may vary depending on the measuring instruments used or on the product.

- IC1 : TK1120S
- IC2 : AN8705FHQ
- IC100 : MN67705EA
- IC201 : AN8785SB
- IC202 : AN8480NSB
- IC300 : MN103007B
- IC301 : TC7SH32FU
- IC302 : TC7SH08FU
- IC400 : MN677521HB
- IC401,402 : EM636165TS-B or HY57V16160DTC
- IC403 : TC7SET04FU
- IC404 : PQ2T15U
- IC405,406 : TC74HCT7007AF
- IC407 : NJM2115V
- IC500 : MN102LP25G or MN102L62GA1
- IC501 : DTC124EUA
- IC502 : X25057M-2.7
- IC503 : AT49LV8192A90T
- IC504 : KM68L1000E10 or BS62LV1024ST70
- IC505,506 : TC7SHU04FU
- IC507,508 : TC7WH47FU
- IC600 : ADV7190
- IC601 : PQ1R33
- IC700 : MN5C027D4H
- IC701 : TC3W02FU

- Q1 : 2SB1115A
- Q2,4,100,200,201,502 : DTC124EUA
- Q3,202 : DTA124EUA
- Q500 : 2SC4081(R,S)
- Q501-605 : 2SA1576A(R,S)

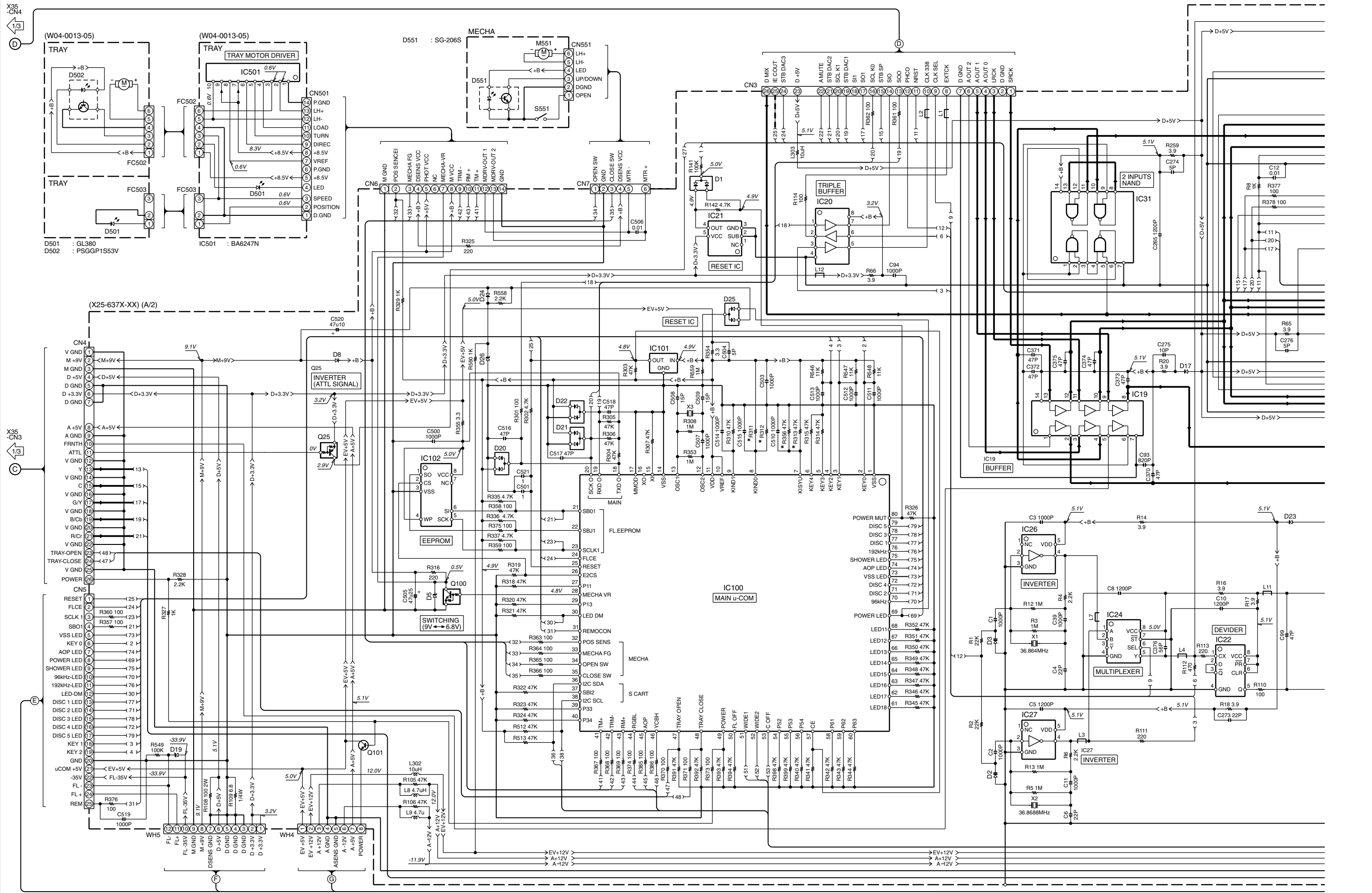
- D100-102 : DA204U
- D400,500,600 : MA1111



DV-4900/4070-B (1/3)
DVF-R9030/R7030 (1/3)

DV-4070-B/DVF-R7030-B/R9030

Y22-8310-00



X35 -CN4
1/3

2

3

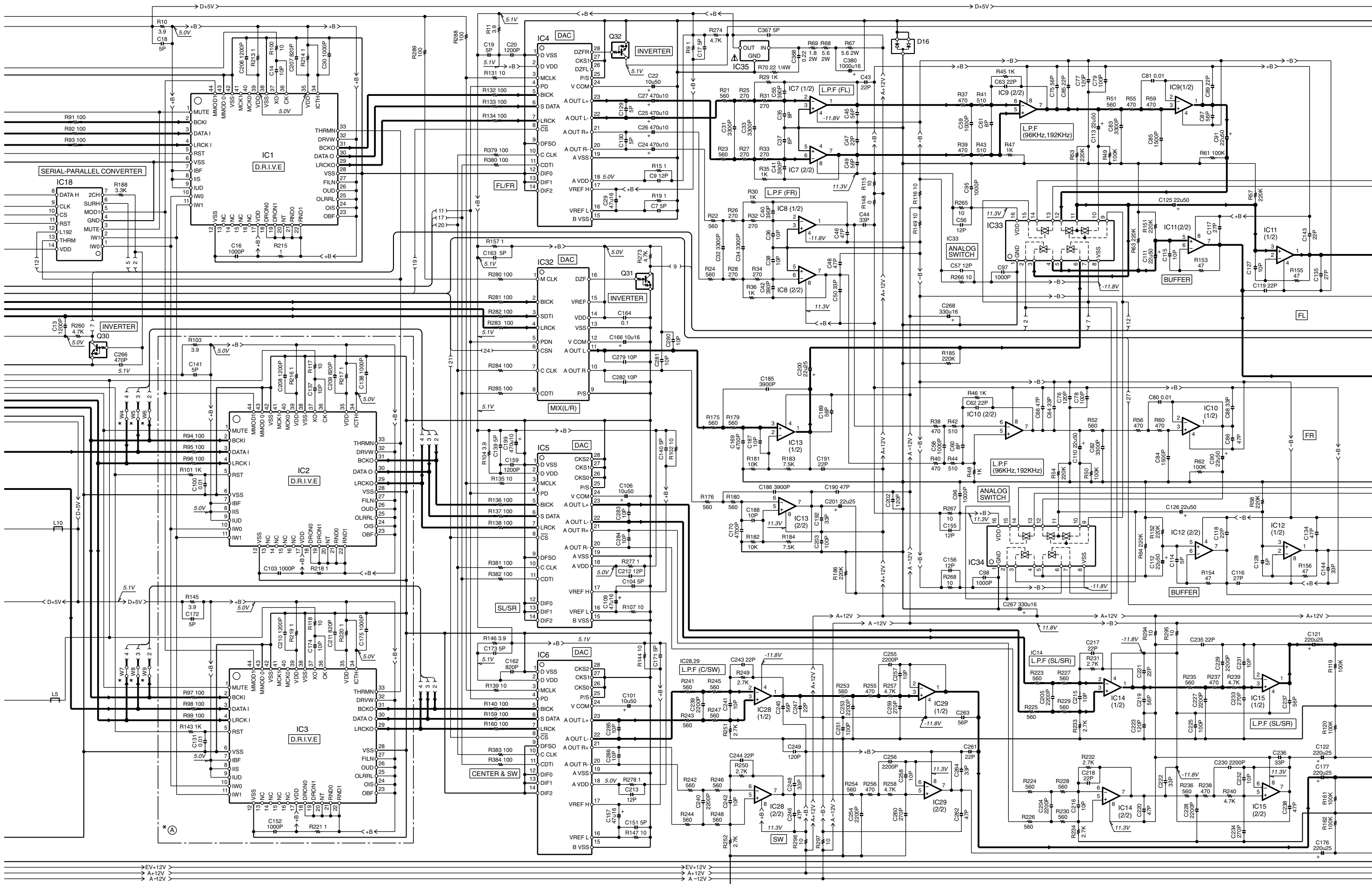
4

5

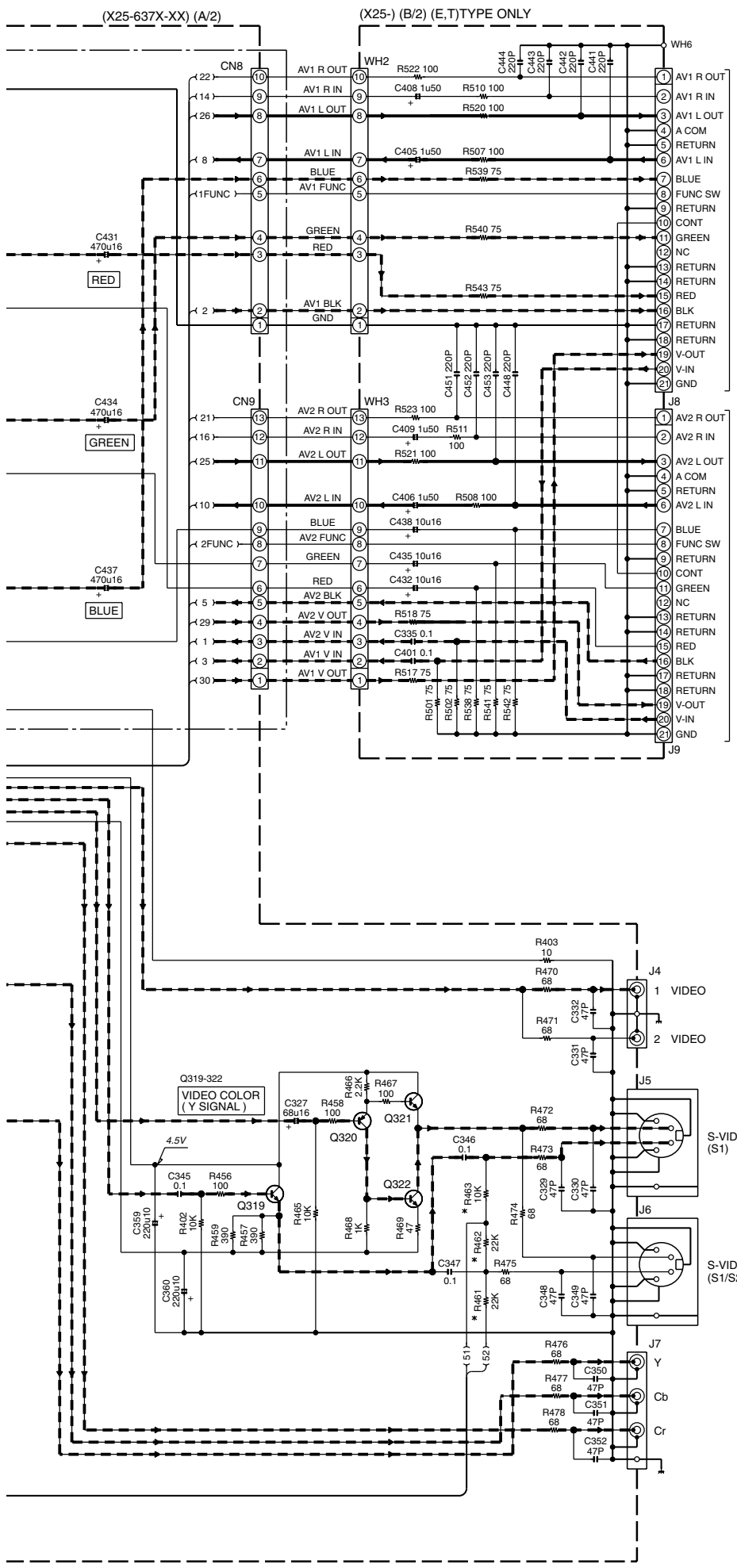
6

7

WH7



→EV+12V
 →A+12V
 →A-12V



DVF-R9030 (X25-637X-XX)

| DESTINATION COUNTRY | ABB. | UNIT No. | (A) | (B) | (C) | C334,341, 342,344 | R311, 313 | R312 | R356 | R455 | R461-463 | W1-3, 11-13 | W4-9 |
|---------------------|------|-------------|-----|-----|-----|-------------------|-----------|------|------|------|----------|-------------|------|
| JAPAN | J | X25-6370-01 | | NO | NO | | | 12K | | NO | YES | YES | |
| EUROPE | E | X25-6372-71 | YES | YES | YES | YES | | 33K | NO | YES | NO | NO | NO |
| U.K. | T | X25-6370-71 | | | | | | 68K | | | | | |
| AUSTRALIA | X | X25-6370-71 | | | | | | 180K | | | | | |
| GENERAL MARKET | M | X25-6370-21 | | NO | NO | | | | | | | YES | |

DV-4900 (X25-6370-10)

| DESTINATION COUNTRY | ABB. | UNIT No. | (A) | (B) | (C) | C334,341, 342,344 | R311,356,455 461-463 | R312 | R313 | W1-3, 11-13 | W4-9 |
|---------------------|------|-------------|-----|-----|-----|-------------------|----------------------|------|------|-------------|------|
| U.S.A. | K | X25-6370-10 | YES | NO | NO | NO | | 47K | YES | YES | NO |

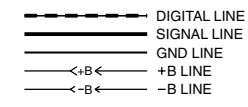
DV-4070-B (X25-6370-11)

| DESTINATION COUNTRY | ABB. | UNIT No. | (A) | (B) | (C) | C334,341, 342,344 | R311,313,455, 461-463 | R312 | R356 | W1-3-9, 11-13 | W4-9 |
|---------------------|------|-------------|-----|-----|-----|-------------------|-----------------------|------|------|---------------|------|
| U.S.A. | K | X25-6370-11 | NO | NO | NO | NO | | 47K | YES | YES | |

DVF-R7030-B (X25-6372-72)

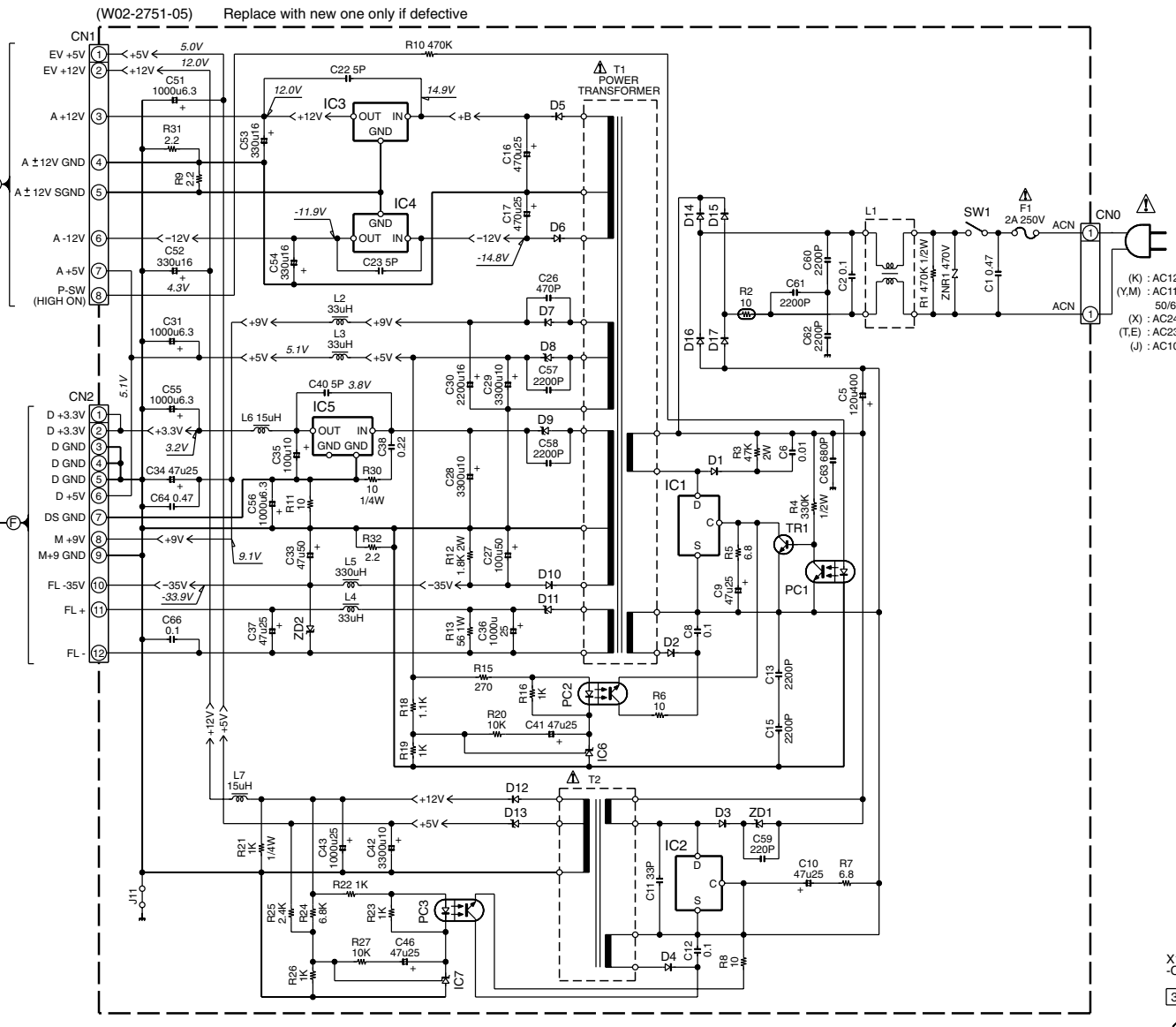
| DESTINATION COUNTRY | ABB. | UNIT No. | (A) | (B) | (C) | C334,341, 342,344 | R311,356, 455 | R312 | R313,461-463 | W1-3, 11-13 | W4-9 |
|---------------------|------|-------------|-----|-----|-----|-------------------|---------------|------|--------------|-------------|------|
| EUROPE | E | X25-6372-72 | NO | YES | YES | YES | | 33K | NO | NO | YES |
| U.K. | T | X25-6372-72 | | | | | | | | | |

- IC1-3 : KAN06
- IC4 : AK4394-VF
- IC5,6 : AK4393-VF
- IC7-15,28-30 : NJM4580ED
- IC16 : TC74VHC08FT
- IC17,26,27 : TC7SHU04FU
- IC18 : NJU3711M
- IC19 : TC74HCT7007AF
- IC20 : TC7WH34FU
- IC21 : PST9128NR
- IC22 : TC7WH74FU
- IC24 : TC7WH157FU
- IC31 : TC74VHC00FT
- IC32 : AK4380-VT
- IC33,34 : TC9214AF
- IC35,36 : TA7805S
- IC37 : TA79005S
- IC100 : MN101C28CMA
- IC101 : S-80740AL-A4
- IC102 : X25057M-2.7
- IC300 : ML6427
- IC301 : MM1221XF
- IC302 : MM1234XF
- IC400 : MM1443XJ
- IC401-403 : MM1224XF
- D1 : DAP202U
- D2,3 : KV1832E
- D5 : UDZ6.8B
- D8-14 : U1BC44
- D15,17,23,24 : MA111
- D16,18,20-22 : DA204U
- D19 : UDZ3.9B
- D25 : DAN202U
- D26 : UDZ5.6B
- Q3-6,13-24,26-29 : 2SC4213(B)
- Q7,8,25,34,412,413 : DTA124EUA
- Q9,10,30-33,100,397, 403,404 : DTC124EUA
- Q11 : 2SC4177(L5,L6)
- Q12 : 2SA1611(M5,M6)
- Q101,300,302,303,305,314, 316,318,319,321,322,398, 399,401,402,406,411 : 2SC4081(R,S)
- Q301 : 2SC2714(O,Y),
- Q304,313,315,317,320,405, 407,408,410 : 2SA1576A(R,S)
- Q400 : DTA143TUA
- Q409 : DTA113ZUA



CAUTION: For continued safety, replace safety critical components only with manufacturer's recommended parts (refer to parts list). Δ indicates safety critical components. For continued protection against risk of fire, replace only with same type and rating fuse(s). To reduce the risk of electric shock, leakage-current or resistance measurements shall be carried out (exposed parts are acceptably insulated from the supply circuit) before the appliance is returned to the customer.

The DC voltage is an actual reading measured with a high impedance type voltmeter with no signal input. The measurement value may vary depending on the measuring instruments used or on the product.



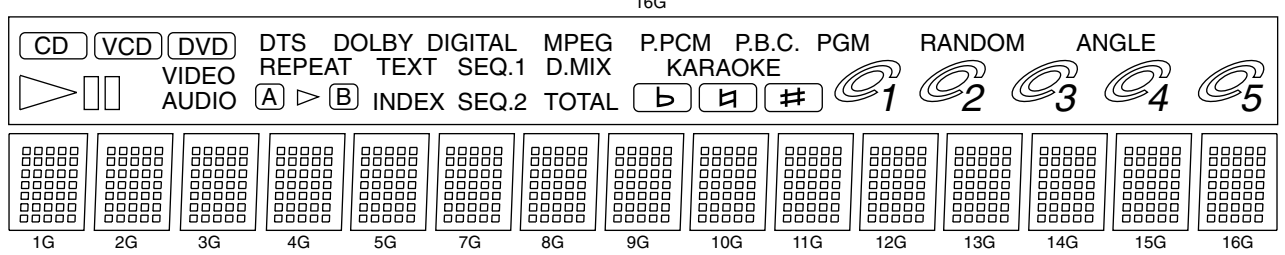
DV4900/4070-B (2/3)
DVF-R9030/R7030-B (2/3)

DV-4070-B/DVF-R7030-B/R9030

Y22-8310-00

KENWOOD

(X14-7160-XX) (A/4)

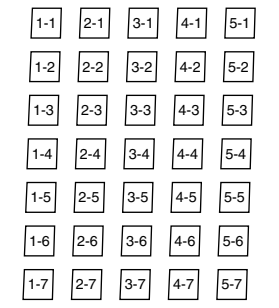


| DV-4090 (X14-7160-10) | | | |
|-----------------------|------|----------|-------------------|
| DESTINATION COUNTRY | ABB. | UNIT No. | D1-5 |
| U.S.A. | K | 0-10 | B30-2571-05 (BLU) |

| DV-4070-B (X14-7160-11) | | | |
|-------------------------|------|----------|-------------------|
| DESTINATION COUNTRY | ABB. | UNIT No. | D1-5 |
| U.S.A. | K | 0-11 | B30-2583-05 (GRN) |

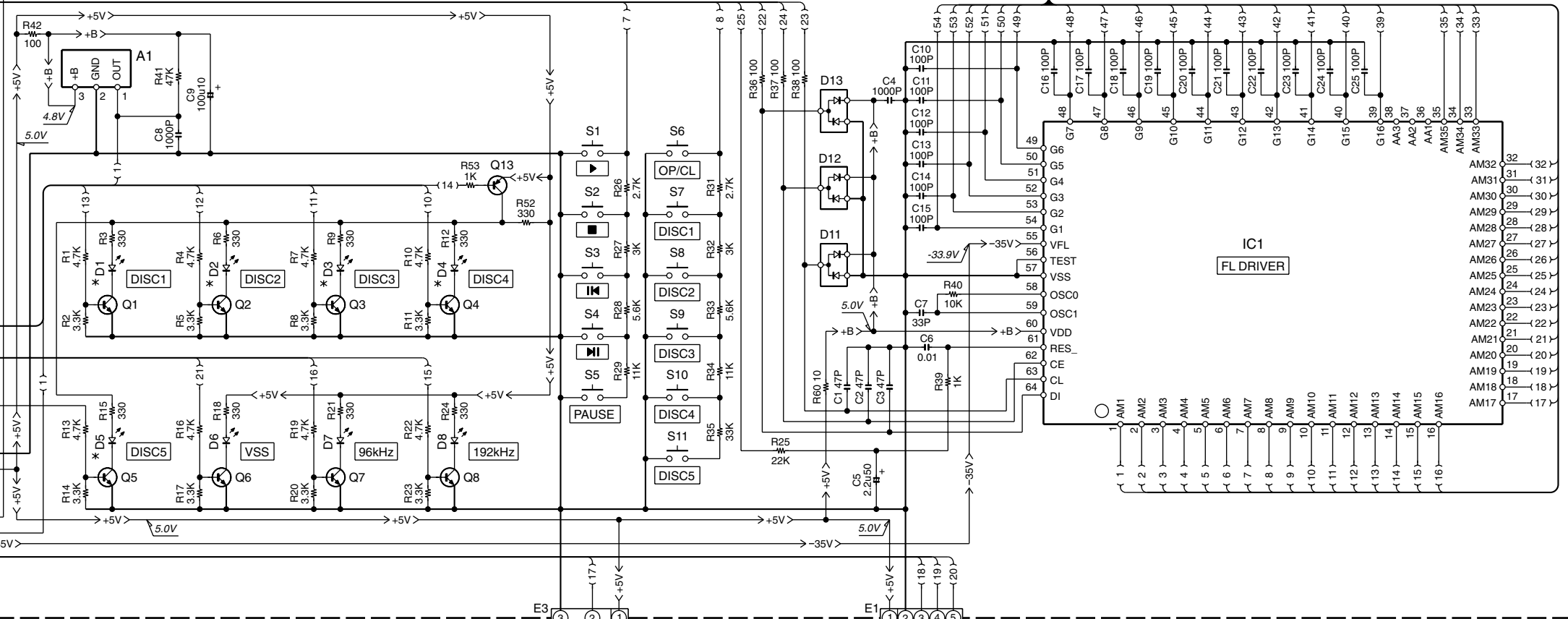
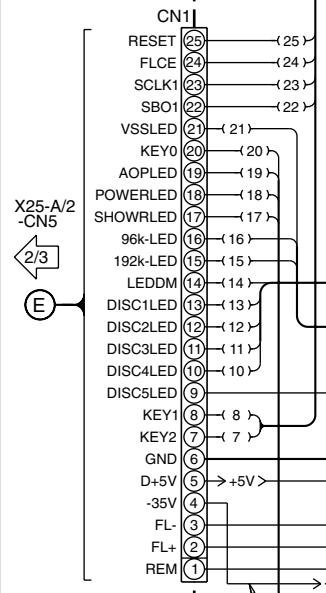
| DVF-R9030 (X14-7160-10) | | | |
|-------------------------|------|----------|-------------------|
| DESTINATION COUNTRY | ABB. | UNIT No. | D1-5 |
| GENERAL MARKET | M1 | 0-10 | B30-2571-05 (BLU) |
| AUSTRALIA | X1 | | |
| U.K. | T1 | | |
| EUROPE | E1 | | |
| JAPAN | J | | |

| DVF-R7030-B (X14-7160-11) | | | |
|---------------------------|------|----------|-------------------|
| DESTINATION COUNTRY | ABB. | UNIT No. | D1-5 |
| U.K. | T2 | 0-11 | B30-2583-05 (GRN) |
| EUROPE | E2 | | |

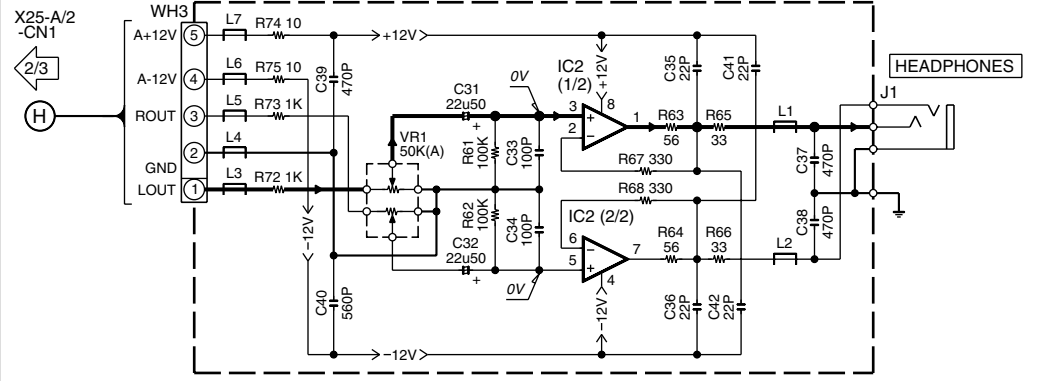


ANODE CONNECTION

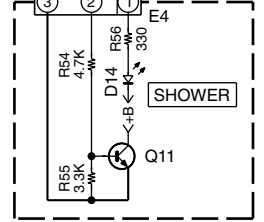
| | 1G-15G | 16G |
|-----|--------|---------------|
| P1 | 1-1 | ▶ |
| P2 | 2-1 | CD |
| P3 | 3-1 | ▶▶ |
| P4 | 4-1 | VCD |
| P5 | 5-1 | AUDIO |
| P6 | 1-2 | VIDEO |
| P7 | 2-2 | DVD |
| P8 | 3-2 | A ▶ |
| P9 | 4-2 | B |
| P10 | 5-2 | REPEAT |
| P11 | 1-3 | DTS |
| P12 | 2-3 | INDEX |
| P13 | 3-3 | TEXT |
| P14 | 4-3 | DOLBY DIGITAL |
| P15 | 5-3 | SEQ.2 |
| P16 | 1-4 | SEQ.1 |
| P17 | 2-4 | TOTAL |
| P18 | 3-4 | D.MIX |
| P19 | 4-4 | MPEG |
| P20 | 5-4 | b |
| P21 | 1-5 | ■ |
| P22 | 2-5 | # |
| P23 | 3-5 | KARAOKE |
| P24 | 4-5 | P. |
| P25 | 5-5 | PCM |
| P26 | 1-6 | P.B.C. |
| P27 | 2-6 | PGM |
| P28 | 3-6 | ① |
| P29 | 4-6 | ② |
| P30 | 5-6 | ③ |
| P31 | 1-7 | ④ |
| P32 | 2-7 | ⑤ |
| P33 | 3-7 | 1 2 3 4 5 |
| P34 | 4-7 | RANDOM |
| P35 | 5-7 | ANGLE |



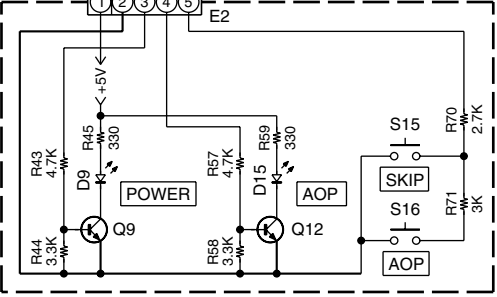
(X14-) (B/4)



(X14-) (C/4)



(X14-) (D/4)



- IC1 : LC75712E
- IC2 : NJM4580E
- Q1-9,11,12 : 2SC1740S(Q,R) or 2SC2785(F,E)
- Q13 : 2SA954(L,K)
- D1-5 : *
- D6-9 : B30-2584-05
- D11-13 : DA204U
- D14,15 : B30-2571-05
- ED1 : 16-ST-43GNK



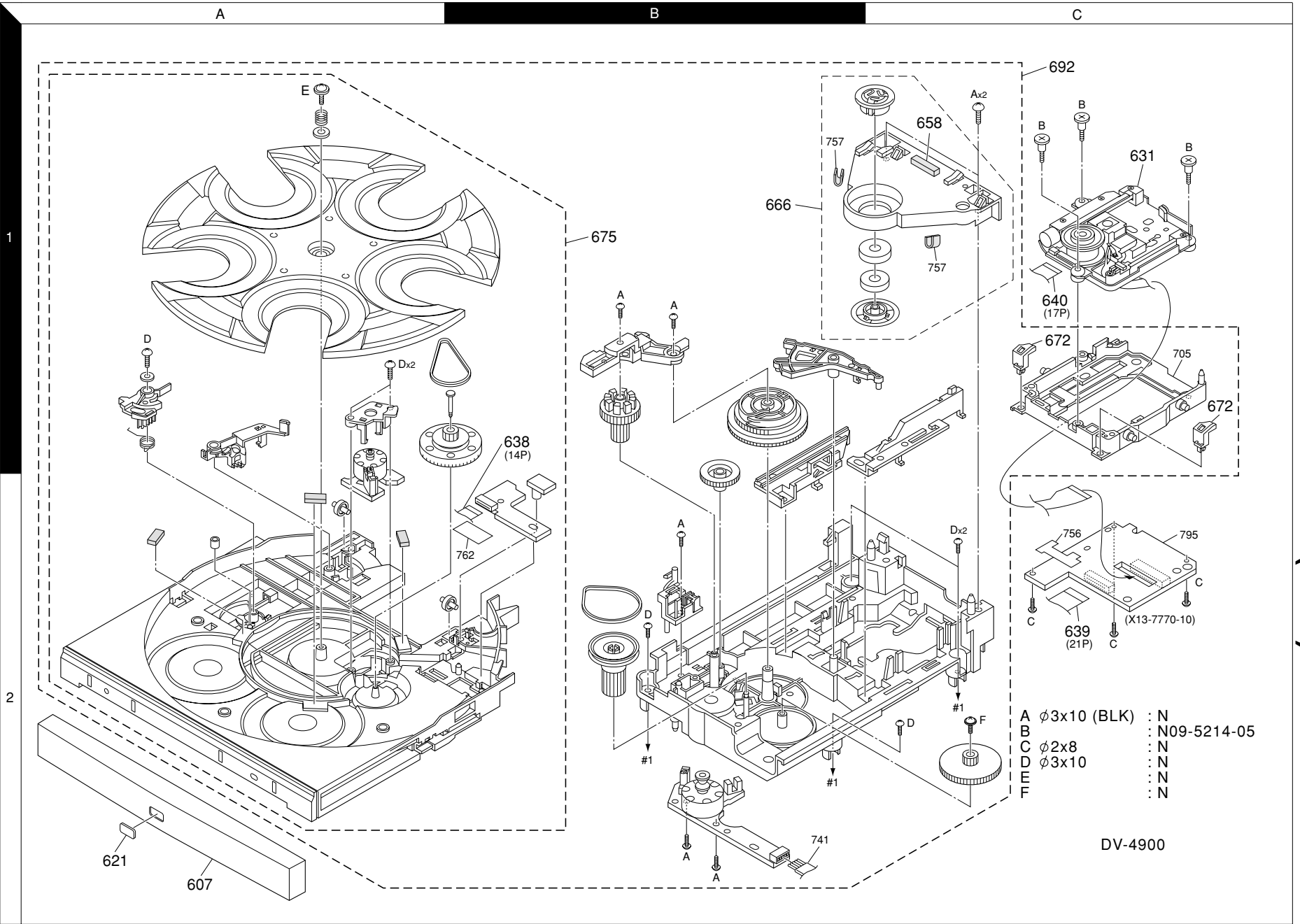
CAUTION: For continued safety, replace safety critical components only with manufacturer's recommended parts (refer to parts list). Δ indicates safety critical components. For continued protection against risk of fire, replace only with same type and rating fuse(s). To reduce the risk of electric shock, leakage-current or resistance measurements shall be carried out (exposed parts are acceptably insulated from the supply circuit) before the appliance is returned to the customer.

The DC voltage is an actual reading measured with a high impedance type voltmeter with no signal input. The measurement value may vary depending on the measuring instruments used or on the product.

DV-4070-B/DVF-R7030-B/R9030

DV-4070-B/DVF-R7030-B/R9030

EXPLODED VIEW (UNIT)



Parts with exploded numbers larger than 700 are not supplied.

* New Parts
Parts without **Parts No.** are not supplied.
Les articles non mentionnés dans le **Parts No.** ne sont pas fournis.
Teile ohne **Parts No.** werden nicht geliefert.

3

| Ref. No | Add-ress | New Parts | Parts No. | Description | Desti-nation | Re-marks |
|---|----------|-----------|--|---|--------------|----------|
| SUB (X13-7770-10) | | | | | | |
| C1 | | | CK73GB1H103K | CHIP C 0.010UF K | | |
| CN1 CN2 | | * | E40-8542-05 E40-5499-05 | FLAT CABLE CONNECTOR FLAT CABLE CONNECTOR | | |
| L1 -18 | | * | L92-0521-05 | FERRITE CORE | | |
| DISPLAY (X14-7160-10) | | | | | | |
| D1 -5 D1 -5 D6 -9 D14 ,15 | | * | B30-2571-05 B30-2583-05 B30-2584-05 B30-2571-05 | LED(BLUE) LED(GRN 5) LED(RED5) LED(BLUE) | 9 7 | |
| C1 -3 C4 C5 C6 C7 | | | CC73GCH1H470J CK73GB1H102K CE04KW1H2R2M CK73GB1H103K CC73GCH1H330J | CHIP C 47PF J CHIP C 1000PF K ELECTRO 2.2UF 50WV CHIP C 0.010UF K CHIP C 33PF J | | |
| C8 C9 C10 -25 C31 ,32 C33 ,34 | | * | CK73GB1H102K CE04KW1A101M CC73GCH1H101J CE04KW1H220M CC73GCH1H101J | CHIP C 1000PF K ELECTRO 100UF 10WV CHIP C 100PF J ELECTRO 22UF 50WV CHIP C 100PF J | | |
| C35 ,36 C37 -39 C40 C41 ,42 | | | CC73GCH1H220J CK73GB1H471K CK73GB1H561K CC73GCH1H220J | CHIP C 22PF J CHIP C 470PF K CHIP C 560PF K CHIP C 22PF J | | |
| CN1 J1 | | | E40-4950-05 E11-0190-05 | FLAT CABLE CONNECTOR PHONE JACK (3P) | | |
| E5 | | | J11-0808-05 | WIRE CLAMPER | | |
| L1 -7 | | * | L92-0520-05 | FERRITE CORE | | |
| R1 R2 R19 R20 R22 | | | RK73GB1J472J RK73GB1J332J RK73GB1J472J RK73GB1J332J RK73GB1J472J | CHIP R 4.7K J 1/16W CHIP R 3.3K J 1/16W CHIP R 4.7K J 1/16W CHIP R 3.3K J 1/16W CHIP R 4.7K J 1/16W | | |
| R23 R25 R36 -38 R39 R40 | | | RK73GB1J332J RK73GB1J223J RK73GB1J101J RK73GB1J102J RK73GB1J103J | CHIP R 3.3K J 1/16W CHIP R 22K J 1/16W CHIP R 100 J 1/16W CHIP R 1.0K J 1/16W CHIP R 10K J 1/16W | | |
| R41 R42 R53 R60 R61 ,62 | | | RK73GB1J473J RK73GB1J101J RK73GB1J102J RK73GB1J100J RK73GB1J104J | CHIP R 47K J 1/16W CHIP R 100 J 1/16W CHIP R 1.0K J 1/16W CHIP R 10 J 1/16W CHIP R 100K J 1/16W | | |
| R63 ,64 R65 ,66 R67 ,68 R72 ,73 R74 ,75 | | | RK73GB1J560J RK73GB1J330J RK73GB1J331J RK73GB1J102J RK73GB1J100J | CHIP R 56 J 1/16W CHIP R 33 J 1/16W CHIP R 330 J 1/16W CHIP R 1.0K J 1/16W CHIP R 10 J 1/16W | | |
| VR1 | | | R10-4049-05 | POTENTIOMETER | | |

L : Scandinavia K : USA P : Canada R : Mexico C : China I : Malaysia
Y : PX(Far East,Hawaii) T : England E : Europe G : Germany V : China(Shanghai)
Y : AAFES(Europe) X : Australia Q : Russia H : Korea M : Other Areas Δ indicates safety critical components .

* New Parts
Parts without **Parts No.** are not supplied.
Les articles non mentionnés dans le **Parts No.** ne sont pas fournis.
Teile ohne **Parts No.** werden nicht geliefert.

4

| Ref. No | Add-ress | New Parts | Parts No. | Description | Desti-nation | Re-marks |
|---|----------|-----------|---|---|--------------|----------|
| S1 -11 S15 ,16 | | | S70-0031-05 S70-0031-05 | TACT SWITCH TACT SWITCH | | |
| D11 -13 ED1 IC1 IC2 Q1 -9 | | * | DA204U 16-ST-43GNK LC75712E NJM4580ED 2SC1740S(Q,R) | DIODE FLUORESCENT INDICATOR TUBE MOS-IC ANALOGUE IC TRANSISTOR | | |
| Q1 -9 Q11 ,12 Q11 ,12 Q13 | | | 2SC2785(F,E) 2SC1740S(Q,R) 2SC2785(F,E) 2SA954(L,K) | TRANSISTOR TRANSISTOR TRANSISTOR TRANSISTOR | | |
| A1 | | | W02-2737-05 | ELECTRIC CIRCUIT MODULE | | |
| ELECTRIC (X25-6370-10) | | | | | | |
| C1 -3 C4 C5 C6 C7 | | | CK73GB1H102K CC73GCH1H220J CK73GB1H122K CC73GCH1H220J CC73GCH1H050C | CHIP C 1000PF K CHIP C 22PF J CHIP C 1200PF K CHIP C 22PF J CHIP C 5.0PF C | | |
| C8 C9 C10 C11 C12 | | | CK73GB1H122K CC73GCH1H120J CK73GB1H122K CK73GB1H102K CK73GB1H103K | CHIP C 1200PF K CHIP C 12PF J CHIP C 1200PF K CHIP C 1000PF K CHIP C 0.010UF K | | |
| C13 C14 C16 C17 -19 C20 | | | CK73GB1H122K CC73GCH1H100D CK73GB1H102K CC73GCH1H050C CK73GB1H122K | CHIP C 1200PF K CHIP C 10PF D CHIP C 1000PF K CHIP C 5.0PF C CHIP C 1200PF K | | |
| C22 C24 -27 C29 C30 C31 -34 | | | CE04KW1H100M CE04KW1A471M C90-3749-05 CK73GB1H102K CQ93FMG1H332J | ELECTRO 10UF 50WV ELECTRO 470UF 10WV ELECTRO 47UF 16WV CHIP C 1000PF K MYLAR 3300PF J | | |
| C35 C36 C37 C38 C39 | | | CC73GCH1H080D CC73GCH1H100D CC73GCH1H080D CC73GCH1H100D CK73GB1H102K | CHIP C 8.0PF D CHIP C 10PF D CHIP C 8.0PF D CHIP C 10PF D CHIP C 1000PF K | | |
| C40 -42 C44 C45 C46 | | | CC73GCH1H391J CC73GCH1H220J CC73GCH1H330J CC73GCH1H560J CC73GCH1H470J | CHIP C 390PF J CHIP C 22PF J CHIP C 33PF J CHIP C 56PF J CHIP C 47PF J | | |
| C47 C48 C49 C50 C55 | | | CC73GCH1H220J CC73GCH1H470J CC73GCH1H560J CC73GCH1H330J CC73GCH1H391J | CHIP C 22PF J CHIP C 47PF J CHIP C 56PF J CHIP C 33PF J CHIP C 390PF J | | |
| C56 ,57 C58 ,59 C60 ,61 C62 ,63 C64 | | | CC73GCH1H120J CQ93FMG1H102J CC73GCH1H080D CC73GCH1H220J CC73GCH1H330J | CHIP C 12PF J MYLAR 1000PF J CHIP C 8.0PF D CHIP C 22PF J CHIP C 33PF J | | |

L : Scandinavia K : USA P : Canada R : Mexico C : China I : Malaysia
Y : PX(Far East,Hawaii) T : England E : Europe G : Germany V : China(Shanghai)
Y : AAFES(Europe) X : Australia Q : Russia H : Korea M : Other Areas Δ indicates safety critical components .

**DV-4070-B/DVF-R7030-B/R9030
PARTS LIST**

* New Parts
Parts without **Parts No.** are not supplied.
Les articles non mentionnés dans le **Parts No.** ne sont pas fournis.
Teile ohne **Parts No.** werden nicht geliefert.

7

| Ref. No | Add-ress | New Parts | Parts No. | Description | Desti-nation | Re-marks |
|----------|----------|-----------|---------------|-------------|--------------|----------|
| C247 | | | CC73GCH1H220J | CHIP C | 22PF | J |
| C248 | | | CC73GCH1H330J | CHIP C | 33PF | J |
| C249 | | | CC73GCH1H121J | CHIP C | 120PF | J |
| C251 | | | CC73GCH1H101J | CHIP C | 100PF | J |
| C253-256 | | | CQ93FMG1H222J | MYLAR | 2200PF | J |
| C257,258 | | | CC73GCH1H100D | CHIP C | 10PF | D |
| C259,260 | | | CC73GCH1H271J | CHIP C | 270PF | J |
| C261 | | | CC73GCH1H220J | CHIP C | 22PF | J |
| C262 | | | CC73GCH1H470J | CHIP C | 47PF | J |
| C263 | | | CC73GCH1H560J | CHIP C | 56PF | J |
| C264 | | | CC73GCH1H330J | CHIP C | 33PF | J |
| C265 | | | CK73GB1H122K | CHIP C | 1200PF | K |
| C266 | | | CK73GB1H471K | CHIP C | 470PF | K |
| C267,268 | | | CE04KW1C331M | ELECTRO | 330UF | 16WV |
| C273 | | | CC73GCH1H220J | CHIP C | 22PF | J |
| C274 | | | CC73GCH1H050C | CHIP C | 5.0PF | C |
| C275 | | | CC73GCH1H100D | CHIP C | 10PF | D |
| C276-278 | | | CC73GCH1H050C | CHIP C | 5.0PF | C |
| C279-286 | | | CC73GCH1H100D | CHIP C | 10PF | D |
| C300 | | | CE04RW1A101M | ELECTRO | 100UF | 10WV |
| C301 | | | CK73GB1C104K | CHIP C | 0.10UF | K |
| C303 | | | CK73GF1A105Z | CHIP C | 1.0UF | Z |
| C304 | | | CK73GB1H821K | CHIP C | 820PF | K |
| C306 | | | CK73GB1C104K | CHIP C | 0.10UF | K |
| C308 | | | CK73GB1C104K | CHIP C | 0.10UF | K |
| C310 | | | CK73GB1C104K | CHIP C | 0.10UF | K |
| C311 | | | CC73GCH1H100D | CHIP C | 10PF | D |
| C312 | | | CC73GCH1H390J | CHIP C | 39PF | J |
| C313 | | | CC73GCH1H470J | CHIP C | 47PF | J |
| C315 | | | CK73GB1C104K | CHIP C | 0.10UF | K |
| C316 | | | CC73GCH1H101J | CHIP C | 100PF | J |
| C317 | | | CK73GB1H102K | CHIP C | 1000PF | K |
| C319 | | | CC73GCH1H100D | CHIP C | 10PF | D |
| C321-323 | | | CE04RW1A101M | ELECTRO | 100UF | 10WV |
| C324 | | | CK73GB1C104K | CHIP C | 0.10UF | K |
| C325-327 | | * | CE04RW1C680M | ELECTRO | 68UF | 16WV |
| C328 | | | CC73GCH1H060D | CHIP C | 6.0PF | D |
| C329-332 | | | CC73GCH1H470J | CHIP C | 47PF | J |
| C333 | | | CC73GCH1H220J | CHIP C | 22PF | J |
| C334 | | | CC73GCH1H220J | CHIP C | 22PF | J |
| C335 | | | CK73GB1C104K | CHIP C | 0.10UF | K |
| C336 | | | CC73GCH1H040C | CHIP C | 4.0PF | C |
| C339 | | | CE04RW1A101M | ELECTRO | 100UF | 10WV |
| C340 | | * | CK73FB1A334K | CHIP C | 0.33UF | K |
| C341,342 | | * | CE04RW1C680M | ELECTRO | 68UF | 16WV |
| C343 | | | CK73GB1H102K | CHIP C | 1000PF | K |
| C344 | | * | CE04RW1C680M | ELECTRO | 68UF | 16WV |
| C345-347 | | | CK73GB1C104K | CHIP C | 0.10UF | K |
| C348-352 | | | CC73GCH1H470J | CHIP C | 47PF | J |
| C355 | | | CE04RW1A101M | ELECTRO | 100UF | 10WV |
| C356 | | * | CK73FB1A334K | CHIP C | 0.33UF | K |
| C357,358 | | | CC73GCH1H050C | CHIP C | 5.0PF | C |
| C359,360 | | | CE04RW1A221M | ELECTRO | 220UF | 10WV |
| C361-363 | | | CC73GCH1H101J | CHIP C | 100PF | J |
| C364-366 | | | CE04RW1C100M | ELECTRO | 10UF | 16WV |

L : Scandinavia K : USA P : Canada R : Mexico C : China I : Malaysia
 Y : PX(Far East,Hawaii) T : England E : Europe G : Germany V : China(Shanghai)
 Y : AAFES(Europe) X : Australia Q : Russia H : Korea M : Other Areas Δ indicates safety critical components.

* New Parts
Parts without **Parts No.** are not supplied.
Les articles non mentionnés dans le **Parts No.** ne sont pas fournis.
Teile ohne **Parts No.** werden nicht geliefert.

8

| Ref. No | Add-ress | New Parts | Parts No. | Description | Desti-nation | Re-marks |
|----------|----------|-----------|---------------|----------------------|--------------|----------|
| C367 | | | CC73GCH1H050C | CHIP C | 5.0PF | C |
| C368 | | | CQ93FMG1H224J | MYLAR | 0.22UF | J |
| C370-375 | | | CC73GCH1H470J | CHIP C | 47PF | J |
| C376 | | | CC73GCH1H560J | CHIP C | 56PF | J |
| C380 | | | CE04KW1C102M | ELECTRO | 1000UF | 16WV |
| C400 | | | CC73GCH1H050C | CHIP C | 5.0PF | C |
| C401,402 | | | CK73GB1C104K | CHIP C | 0.10UF | K |
| C403 | | | CE04RW1H010M | ELECTRO | 1.0UF | 50WV |
| C404 | | | CE04RW1C220M | ELECTRO | 22UF | 16WV |
| C405-409 | | | CE04RW1H010M | ELECTRO | 1.0UF | 50WV |
| C410 | | | CE04RW1C101M | ELECTRO | 100UF | 16WV |
| C411 | | | CK73GB1H821K | CHIP C | 820PF | K |
| C413 | | | CC73GCH1H101J | CHIP C | 100PF | J |
| C414,415 | | | CE04DW1C471M | ELECTRO | 470UF | 16WV |
| C416 | | | CK73GB1C104K | CHIP C | 0.10UF | K |
| C417,418 | | | CE04RW1C100M | ELECTRO | 10UF | 16WV |
| C420,421 | | | CE04RW1C100M | ELECTRO | 10UF | 16WV |
| C423 | | | CE04RW1C100M | ELECTRO | 10UF | 16WV |
| C425 | | | CE04RW1C100M | ELECTRO | 10UF | 16WV |
| C426 | | | CC73GCH1H101J | CHIP C | 100PF | J |
| C427 | | | CE04RW1C100M | ELECTRO | 10UF | 16WV |
| C428 | | | CC73GCH1H101J | CHIP C | 100PF | J |
| C429 | | | CK73GB1C104K | CHIP C | 0.10UF | K |
| C430 | | | CK73GB1H102K | CHIP C | 1000PF | K |
| C431 | | | CE04DW1C471M | ELECTRO | 470UF | 16WV |
| C432 | | | CE04RW1C100M | ELECTRO | 10UF | 16WV |
| C434 | | | CE04DW1C471M | ELECTRO | 470UF | 16WV |
| C435 | | | CE04RW1C100M | ELECTRO | 10UF | 16WV |
| C437 | | | CE04DW1C471M | ELECTRO | 470UF | 16WV |
| C438 | | | CE04RW1C100M | ELECTRO | 10UF | 16WV |
| C441-444 | | | CC73GCH1H221J | CHIP C | 220PF | J |
| C448 | | | CC73GCH1H221J | CHIP C | 220PF | J |
| C451-453 | | | CC73GCH1H221J | CHIP C | 220PF | J |
| C457 | | | CC73GCH1H101J | CHIP C | 100PF | J |
| C500 | | | CK73GB1H102K | CHIP C | 1000PF | K |
| C501 | | | CK73GF1A105Z | CHIP C | 1.0UF | Z |
| C503 | | | CK73GB1H102K | CHIP C | 1000PF | K |
| C504 | | | CC73GCH1H050C | CHIP C | 5.0PF | C |
| C505 | | | CE04KW1E470M | ELECTRO | 47UF | 25WV |
| C506 | | | CK73GB1H103K | CHIP C | 0.010UF | K |
| C507 | | | CK73GB1H102K | CHIP C | 1000PF | K |
| C508,509 | | | CC73GCH1H150J | CHIP C | 15PF | J |
| C510-515 | | | CK73GB1H102K | CHIP C | 1000PF | K |
| C516-518 | | | CC73GCH1H470J | CHIP C | 47PF | J |
| C519 | | | CK73GB1H102K | CHIP C | 1000PF | K |
| C520 | | | CE04KW1A470M | ELECTRO | 47UF | 10WV |
| C521 | | | CK73GF1A105Z | CHIP C | 1.0UF | Z |
| CN1 | | | E40-3249-05 | PIN ASSY | | |
| CN3,4 | | | E40-8633-05 | PIN ASSY | | |
| CN5 | | | E40-4912-05 | FLAT CABLE CONNECTOR | | |
| CN6 | | | E40-4901-05 | FLAT CABLE CONNECTOR | | |
| CN7 | | | E40-8632-05 | PIN ASSY | | |
| CN8 | | | E40-3254-05 | PIN ASSY | | ET |
| CN9 | | | E40-3257-05 | PIN ASSY | | ET |

L : Scandinavia K : USA P : Canada R : Mexico C : China I : Malaysia
 Y : PX(Far East,Hawaii) T : England E : Europe G : Germany V : China(Shanghai)
 Y : AAFES(Europe) X : Australia Q : Russia H : Korea M : Other Areas Δ indicates safety critical components.

DV-4070-B/DVF-R7030-B/R9030
 PARTS LIST

DV-4070-B/DV-F-R7030-B/R9030

PARTS LIST

* New Parts

Parts without **Parts No.** are not supplied.
Les articles non mentionnés dans le **Parts No.** ne sont pas fournis.
Teile ohne **Parts No.** werden nicht geliefert.

13

| Ref. No | Address | New Parts | Parts No. | Description | Destination | Remarks |
|----------|---------|-----------|--------------|-----------------------------|-------------|---------|
| R454 | | | RK73GB1J4R7J | CHIP R 4.7 J 1/16W | | |
| R455 | | | RK73GB1J4R7J | CHIP R 4.7 J 1/16W | ET | |
| R456 | | | RK73GB1J101J | CHIP R 100 J 1/16W | | |
| R457 | | | RK73GB1J391J | CHIP R 390 J 1/16W | | |
| R458 | | | RK73GB1J101J | CHIP R 100 J 1/16W | | |
| R459 | | | RK73GB1J391J | CHIP R 390 J 1/16W | | |
| R465 | | | RK73GB1J103J | CHIP R 10K J 1/16W | | |
| R466 | | | RK73GB1J222J | CHIP R 2.2K J 1/16W | | |
| R467 | | | RK73GB1J101J | CHIP R 100 J 1/16W | | |
| R468 | | | RK73GB1J102J | CHIP R 1.0K J 1/16W | | |
| R469 | | | RK73GB1J470J | CHIP R 47 J 1/16W | | |
| R470-478 | | | RK73GB1J680J | CHIP R 68 J 1/16W | | |
| R479 | | | RK73GB1J102J | CHIP R 1.0K J 1/16W | | |
| R480,481 | | | RK73GB1J911J | CHIP R 910 J 1/16W | | |
| R500 | | | RK73GB1J151J | CHIP R 150 J 1/16W | ET | |
| R501,502 | | | RK73GB1J750J | CHIP R 75 J 1/16W | ET | |
| R503 | | | RK73GB1J151J | CHIP R 150 J 1/16W | ET | |
| R504 | | | RK73GB1J101J | CHIP R 100 J 1/16W | ET | |
| R505 | | | RK73GB1J472J | CHIP R 4.7K J 1/16W | ET | |
| R506 | | | RK73GB1J103J | CHIP R 10K J 1/16W | ET | |
| R507-511 | | | RK73GB1J101J | CHIP R 100 J 1/16W | ET | |
| R512,513 | | | RK73GB1J473J | CHIP R 47K J 1/16W | | |
| R514,515 | | | RK73GB1J101J | CHIP R 100 J 1/16W | ET | |
| R516 | | | RK73GB1J151J | CHIP R 150 J 1/16W | ET | |
| R517,518 | | | RK73GB1J750J | CHIP R 75 J 1/16W | ET | |
| R519 | | | RK73GB1J151J | CHIP R 150 J 1/16W | ET | |
| R520-523 | | | RK73GB1J101J | CHIP R 100 J 1/16W | ET | |
| R524-526 | | | RK73GB1J472J | CHIP R 4.7K J 1/16W | ET | |
| R527 | | | RK73GB1J680J | CHIP R 68 J 1/16W | ET | |
| R528 | | | RK73GB1J472J | CHIP R 4.7K J 1/16W | ET | |
| R529 | | | RK73GB1J223J | CHIP R 22K J 1/16W | ET | |
| R530-537 | | | RK73GB1J151J | CHIP R 150 J 1/16W | ET | |
| R538-543 | | | RK73GB1J750J | CHIP R 75 J 1/16W | ET | |
| R544 | | | RK73GB1J1R0J | CHIP R 1 J 1/16W | ET | |
| R545 | | | RK73GB1J3R3J | CHIP R 3.3 J 1/16W | ET | |
| R546-548 | | | RK73GB1J113J | CHIP R 11K J 1/16W | | |
| R549 | | | RK73GB1J104J | CHIP R 100K J 1/16W | | |
| R550 | | | RK73GB1J332J | CHIP R 3.3K J 1/16W | ET | |
| R551 | | | RK73GB1J562J | CHIP R 5.6K J 1/16W | ET | |
| R552,553 | | | RK73GB1J332J | CHIP R 3.3K J 1/16W | ET | |
| R554 | | | RK73GB1J472J | CHIP R 4.7K J 1/16W | ET | |
| R555-557 | | | RK73GB1J223J | CHIP R 22K J 1/16W | ET | |
| R558 | | | RK73GB1J222J | CHIP R 2.2K J 1/16W | | |
| R559 | | | RK73GB1J105J | CHIP R 1.0M J 1/16W | | |
| R560 | | | RK73GB1J102J | CHIP R 1.0K J 1/16W | | |
| W1 -13 | | | R92-1963-05 | JUMPER WIRE (RESISTOR TYPE) | K2 | |
| W1 -3 | | | R92-1963-05 | JUMPER WIRE (RESISTOR TYPE) | K1XM | |
| W4 -10 | | | R92-1963-05 | JUMPER WIRE (RESISTOR TYPE) | E2T2 | |
| W10 | | | R92-1963-05 | JUMPER WIRE (RESISTOR TYPE) | E1T1 | |
| W10 -13 | | | R92-1963-05 | JUMPER WIRE (RESISTOR TYPE) | K1XM | |
| D1 | | | DAP202U | DIODE | | |
| D2 ,3 | | | KV1832E | VARIABLE CAPACITANCE DIODE | | |
| D5 | | | UDZ6.8B | ZENER DIODE | | |
| D8 -14 | | | U1BC44 | DIODE | | |
| D15 | | | MA111 | DIODE | ET | |

L : Scandinavia K : USA P : Canada R : Mexico C : China I : Malaysia
Y : PX(Far East,Hawaii) T : England E : Europe G : Germany V : China(Shanghai)
Y : AAFES(Europe) X : Australia Q : Russia H : Korea M : Other Areas Δ indicates safety critical components.

* New Parts

Parts without **Parts No.** are not supplied.
Les articles non mentionnés dans le **Parts No.** ne sont pas fournis.
Teile ohne **Parts No.** werden nicht geliefert.

14

| Ref. No | Address | New Parts | Parts No. | Description | Destination | Remarks |
|-----------|---------|-----------|----------------|----------------------------|-------------|---------|
| D16 | | | DA204U | DIODE | | |
| D17 | | | MA111 | DIODE | | |
| D18 | | | DA204U | DIODE | | |
| D19 | | | UDZ3.9B | ZENER DIODE | | |
| D20 -22 | | | DA204U | DIODE | | |
| D23 ,24 | | | MA111 | DIODE | | |
| D25 | | | DAN202U | DIODE | | |
| D26 | | | UDZ5.6B | ZENER DIODE | | |
| IC1 | | | KAN06 | MOS-IC | 9 | |
| IC2 ,3 | | | KAN06 | MOS-IC | | |
| IC4 | | * | AK4394-VF | MOS-IC | | |
| IC5 ,6 | | | AK4393-VF | MOS-IC | | |
| IC7 -15 | | | NJM4580ED | ANALOGUE IC | | |
| IC16 | | | TC74VHC08FT | MOS-IC | | |
| IC17 | | | TC7SHU04FU | MOS-IC | | |
| IC18 | | | NJU3711M | MOS-IC | | |
| IC19 | | | TC74HCT7007AF | MOS-IC | | |
| IC20 | | | TC7WH34FU | MOS-IC | | |
| IC21 | | | PST9128NR | ANALOGUE IC | | |
| IC22 | | | TC7WH74FU | MOS-IC | | |
| IC24 | | | TC7WH157FU | MOS-IC | | |
| IC26,27 | | | TC7SHU04FU | MOS-IC | | |
| IC28-30 | | | NJM4580ED | ANALOGUE IC | | |
| IC31 | | * | TC74VHC00FT | MOS-IC | | |
| IC32 | | * | AK4380-VT | MOS-IC | | |
| IC33,34 | | | TC9214AF | MOS-IC | | |
| IC35,36 | | | TA7805S | ANALOGUE IC | | |
| IC37 | | | TA79005S | IC(VOLTAGE REGULATOR/ -5V) | | |
| IC100 | | * | MN101C28CMA | MI-COM IC | | |
| IC101 | | | S-80740AL-A4 | IC(VOLTAGE DETECTOR) | | |
| IC102 | | * | X25057M-2.7 | MEMORY IC | | |
| IC300 | | * | ML6427 | ANALOGUE IC | | |
| IC301 | | * | MM1221XF | ANALOGUE IC | ET | |
| IC302 | | * | MM1234XF | ANALOGUE IC | ET | |
| IC400 | | * | MM1443XJ | ANALOGUE IC | | |
| IC401-403 | | * | MM1224XF | ANALOGUE IC | ET | |
| Q3 -6 | | | 2SC4213(B) | TRANSISTOR | | |
| Q7 ,8 | | | DTA124EUA | DIGITAL TRANSISTOR | | |
| Q9 ,10 | | | DTC124EUA | DIGITAL TRANSISTOR | | |
| Q11 | | | 2SC4177(L5,L6) | TRANSISTOR | | |
| Q12 | | | 2SA1611(M5,M6) | TRANSISTOR | | |
| Q13 -24 | | | 2SC4213(B) | TRANSISTOR | | |
| Q25 | | | DTA124EUA | DIGITAL TRANSISTOR | | |
| Q26 -29 | | | 2SC4213(B) | TRANSISTOR | | |
| Q30 -33 | | | DTC124EUA | DIGITAL TRANSISTOR | | |
| Q34 | | | DTA124EUA | DIGITAL TRANSISTOR | | |
| Q100 | | | DTC124EUA | DIGITAL TRANSISTOR | | |
| Q101 | | | 2SC4081(R,S) | TRANSISTOR | | |
| Q300 | | | 2SC4081(R,S) | TRANSISTOR | | |
| Q301 | | | 2SC2714(O,Y) | FET | | |
| Q302,303 | | | 2SC4081(R,S) | TRANSISTOR | | |
| Q304 | | | 2SA1576A(R,S) | TRANSISTOR | | |
| Q305 | | | 2SC4081(R,S) | TRANSISTOR | | |
| Q313 | | | 2SA1576A(R,S) | TRANSISTOR | | |
| Q314 | | | 2SC4081(R,S) | TRANSISTOR | | |

L : Scandinavia K : USA P : Canada R : Mexico C : China I : Malaysia
Y : PX(Far East,Hawaii) T : England E : Europe G : Germany V : China(Shanghai)
Y : AAFES(Europe) X : Australia Q : Russia H : Korea M : Other Areas Δ indicates safety critical components.

* New Parts

Parts without **Parts No.** are not supplied.
Les articles non mentionnés dans le **Parts No.** ne sont pas fournis.
Teile ohne **Parts No.** werden nicht geliefert.



| Ref. No | Add-ress | New Parts | Parts No. | Description | Desti-nation | Re-marks |
|----------------------------|----------|-----------|---------------|--------------------|--------------|----------|
| Q315 | | | 2SA1576A(R,S) | TRANSISTOR | | |
| Q316 | | | 2SC4081(R,S) | TRANSISTOR | | |
| Q317 | | | 2SA1576A(R,S) | TRANSISTOR | | |
| Q318,319 | | | 2SC4081(R,S) | TRANSISTOR | | |
| Q320 | | | 2SA1576A(R,S) | TRANSISTOR | | |
| Q321,322 | | | 2SC4081(R,S) | TRANSISTOR | | |
| Q397 | | | DTC124EUA | DIGITAL TRANSISTOR | ET | |
| Q398,399 | | | 2SC4081(R,S) | TRANSISTOR | ET | |
| Q400 | | | DTA143TUA | DIGITAL TRANSISTOR | ET | |
| Q401,402 | | | 2SC4081(R,S) | TRANSISTOR | ET | |
| Q403,404 | | | DTC124EUA | DIGITAL TRANSISTOR | ET | |
| Q405 | | | 2SA1576A(R,S) | TRANSISTOR | ET | |
| Q406 | | | 2SC4081(R,S) | TRANSISTOR | ET | |
| Q407,408 | | | 2SA1576A(R,S) | TRANSISTOR | ET | |
| Q409 | | | DTA113ZUA | DIGITAL TRANSISTOR | ET | |
| Q410 | | | 2SA1576A(R,S) | TRANSISTOR | ET | |
| Q411 | | | 2SC4081(R,S) | TRANSISTOR | ET | |
| Q412,413 | | | DTA124EUA | DIGITAL TRANSISTOR | ET | |
| A1 | | | W02-2732-05 | OSCILLATING MODULE | | |
| VIDEO (X35-2240-10) | | | | | | |
| C1 ,2 | | | CK73GB1C104K | CHIP C | 0.10UF | K |
| C3 | | | C92-0047-05 | CHIP-ELE | 47UF | 6.3WV |
| C5 ,6 | | | C92-0041-05 | CHIP-ELE | 10UF | 10WV |
| C7 | | | CC73GCH1H471J | CHIP C | 470PF | J |
| C8 | | | CK73GB1C104K | CHIP C | 0.10UF | K |
| C9 | | | CC73GCH1H560J | CHIP C | 56PF | J |
| C10 | | | CC73GCH1H101J | CHIP C | 100PF | J |
| C11 -13 | | | CK73GB1C104K | CHIP C | 0.10UF | K |
| C14 | | | C92-0041-05 | CHIP-ELE | 10UF | 10WV |
| C15 | | | CC73GCH1H101J | CHIP C | 100PF | J |
| C16 | | * | CK73FB1A154K | CHIP C | 0.15UF | K |
| C17 -19 | | | CK73GB1C104K | CHIP C | 0.10UF | K |
| C20 | | | CK73GB1H392K | CHIP C | 3900PF | K |
| C21 | | | CK73GB1C104K | CHIP C | 0.10UF | K |
| C22 | | | CK73GF1A105Z | CHIP C | 1.0UF | Z |
| C23 | | | C92-0041-05 | CHIP-ELE | 10UF | 10WV |
| C24 | | | CK73GB1C104K | CHIP C | 0.10UF | K |
| C25 | | * | CK73FB1A334K | CHIP C | 0.33UF | K |
| C26 | | | CK73GB1C104K | CHIP C | 0.10UF | K |
| C27 | | | CC73GCH1H121J | CHIP C | 120PF | J |
| C28 | | | CC73GCH1H221J | CHIP C | 220PF | J |
| C29 -31 | | | CK73GB1C104K | CHIP C | 0.10UF | K |
| C32 | | * | CK73FB1A224K | CHIP C | 0.22UF | K |
| C33 | | | CK73GB1H102K | CHIP C | 1000PF | K |
| C34 | | | CK73GB1H681K | CHIP C | 680PF | K |
| C35 | | | CK73GB1C104K | CHIP C | 0.10UF | K |
| C36 | | | CK73GF1A105Z | CHIP C | 1.0UF | Z |
| C37 | | | C92-0047-05 | CHIP-ELE | 47UF | 6.3WV |
| C38 | | | CC73GCH1H221J | CHIP C | 220PF | J |
| C39 | | | CK73GB1C104K | CHIP C | 0.10UF | K |
| C40 | | | CK73GB1H102K | CHIP C | 1000PF | K |
| C41 | | | CK73GB1C104K | CHIP C | 0.10UF | K |
| C42 | | | CC73GCH1H221J | CHIP C | 220PF | J |
| C43 | | * | CK73FB1A224K | CHIP C | 0.22UF | K |

L : Scandinavia K : USA P : Canada R : Mexico C : China I : Malaysia
Y : PX(Far East,Hawaii) T : England E : Europe G : Germany V : China(Shanghai)
Y : AAFES(Europe) X : Australia Q : Russia H : Korea M : Other Areas Δ indicates safety critical components.

* New Parts

Parts without **Parts No.** are not supplied.
Les articles non mentionnés dans le **Parts No.** ne sont pas fournis.
Teile ohne **Parts No.** werden nicht geliefert.



| Ref. No | Add-ress | New Parts | Parts No. | Description | Desti-nation | Re-marks |
|----------|----------|-----------|---------------|-------------|--------------|----------|
| C44 | | | CC73GCH1H820J | CHIP C | 82PF | J |
| C45 -48 | | | CK73GB1C104K | CHIP C | 0.10UF | K |
| C49 -51 | | | CK73GF1A105Z | CHIP C | 1.0UF | Z |
| C52 | | | CC73GCH1H221J | CHIP C | 220PF | J |
| C53 | | | CC73GCH1H040C | CHIP C | 4.0PF | C |
| C54 | | | CK73GF1H333Z | CHIP C | 0.033UF | Z |
| C60 | | | C92-0047-05 | CHIP-ELE | 47UF | 6.3WV |
| C61 ,62 | | | C92-0048-05 | ELECTRO | 100UF | 6.3WV |
| C63 | | | CK73GB1H103K | CHIP C | 0.010UF | K |
| C77 | | | CK73GF1A105Z | CHIP C | 1.0UF | Z |
| C100 | | | CK73GB1H102K | CHIP C | 1000PF | K |
| C101-104 | | | CK73GF1H333Z | CHIP C | 0.033UF | Z |
| C105 | | | CK73GB1H102K | CHIP C | 1000PF | K |
| C106 | | | CC73GCH1H471J | CHIP C | 470PF | J |
| C107-110 | | | CK73GB1H102K | CHIP C | 1000PF | K |
| C111-113 | | | CK73GB1C104K | CHIP C | 0.10UF | K |
| C114 | | | CK73GB1H392K | CHIP C | 3900PF | K |
| C115 | | | CK73GB1H821K | CHIP C | 820PF | K |
| C116 | | | CC73GCH1H331J | CHIP C | 330PF | J |
| C117 | | | CC73GCH1H471J | CHIP C | 470PF | J |
| C118 | | | CC73GCH1H271J | CHIP C | 270PF | J |
| C119,120 | | | CK73GB1H821K | CHIP C | 820PF | K |
| C121-124 | | | CK73GB1H102K | CHIP C | 1000PF | K |
| C125 | | | CK73GB1C104K | CHIP C | 0.10UF | K |
| C126 | | | CK73GF1A105Z | CHIP C | 1.0UF | Z |
| C127,128 | | | CK73GB1H102K | CHIP C | 1000PF | K |
| C129,130 | | | CK73GB1C104K | CHIP C | 0.10UF | K |
| C132 | | | CC73GCH1H330J | CHIP C | 33PF | J |
| C133 | | | CC73GCH1H331J | CHIP C | 330PF | J |
| C134 | | | CK73GB1C104K | CHIP C | 0.10UF | K |
| C135 | | | CK73GB1H102K | CHIP C | 1000PF | K |
| C136 | | | CK73GF1A105Z | CHIP C | 1.0UF | Z |
| C137 | | | C92-0048-05 | ELECTRO | 100UF | 6.3WV |
| C138 | | | CK73GB1H103K | CHIP C | 0.010UF | K |
| C150,151 | | | CC73GCH1H050C | CHIP C | 5.0PF | C |
| C200 | | | CK73GB1C104K | CHIP C | 0.10UF | K |
| C201 | | | CK73GB1H102K | CHIP C | 1000PF | K |
| C202-204 | | | CK73GB1H103K | CHIP C | 0.010UF | K |
| C205 | | | CK73GB1H102K | CHIP C | 1000PF | K |
| C206 | | | CK73GB1C104K | CHIP C | 0.10UF | K |
| C207 | | | CK73GB1H102K | CHIP C | 1000PF | K |
| C208-210 | | | CK73GB1C104K | CHIP C | 0.10UF | K |
| C211 | | | C92-0041-05 | CHIP-ELE | 10UF | 10WV |
| C213,214 | | | CK73GB1C104K | CHIP C | 0.10UF | K |
| C300,301 | | | C92-0041-05 | CHIP-ELE | 10UF | 10WV |
| C302-309 | | | CK73GB1H102K | CHIP C | 1000PF | K |
| C310 | | | CK73GB1H103K | CHIP C | 0.010UF | K |
| C311-321 | | | CK73GB1H102K | CHIP C | 1000PF | K |
| C322 | | | CK73GB1H103K | CHIP C | 0.010UF | K |
| C323 | | | CK73GB1H102K | CHIP C | 1000PF | K |
| C324 | | | CK73GF1A105Z | CHIP C | 1.0UF | Z |
| C400 | | | CK73GB1H102K | CHIP C | 1000PF | K |
| C401 | | * | CE32APOG221M | CHIP-ELE | 220UF | 4WV |
| C404 | | * | CE32APOG221M | CHIP-ELE | 220UF | 4WV |
| C405-420 | | | CK73GB1H102K | CHIP C | 1000PF | K |

L : Scandinavia K : USA P : Canada R : Mexico C : China I : Malaysia
Y : PX(Far East,Hawaii) T : England E : Europe G : Germany V : China(Shanghai)
Y : AAFES(Europe) X : Australia Q : Russia H : Korea M : Other Areas Δ indicates safety critical components.

DV-4070-B/DVF-R7030-B/R9030
PARTS LIST

* New Parts
 Parts without **Parts No.** are not supplied.
 Les articles non mentionnés dans le **Parts No.** ne sont pas fournis.
 Teile ohne **Parts No.** werden nicht geliefert.

17

| Ref. No | Add-ress | New Parts | Parts No. | Description | Desti-nation | Re-marks |
|----------|----------|-----------|---------------|------------------------------|--------------|----------|
| C421 | | | CC73GCH1H220J | CHIP C | 22PF | J |
| C422,423 | | | CK73GB1H102K | CHIP C | 1000PF | K |
| C424-428 | | | CC73GCH1H220J | CHIP C | 22PF | J |
| C429 | | | CK73GB1H102K | CHIP C | 1000PF | K |
| C430 | | | CC73GCH1H220J | CHIP C | 22PF | J |
| C431 | | | CK73GB1C104K | CHIP C | 0.10UF | K |
| C432 | | | CK73GB1H103K | CHIP C | 0.010UF | K |
| C433 | | | C92-0041-05 | CHIP-ELE | 10UF | 10WV |
| C434 | | | CK73GB1C104K | CHIP C | 0.10UF | K |
| C435 | | | CK73GF1A105Z | CHIP C | 1.0UF | Z |
| C436,437 | | | CK73GB1H102K | CHIP C | 1000PF | K |
| C438-445 | | | CK73GB1C104K | CHIP C | 0.10UF | K |
| C446-460 | | | CK73GB1H102K | CHIP C | 1000PF | K |
| C471-482 | | | CK73GB1H102K | CHIP C | 1000PF | K |
| C483 | | | C92-0041-05 | CHIP-ELE | 10UF | 10WV |
| C485 | | | CK73GF1A105Z | CHIP C | 1.0UF | Z |
| C486 | | | CK73GB1H102K | CHIP C | 1000PF | K |
| C487 | | | CC73GCH1H050C | CHIP C | 5.0PF | C |
| C500 | | | C92-0041-05 | CHIP-ELE | 10UF | 10WV |
| C501-508 | | | CK73GB1H102K | CHIP C | 1000PF | K |
| C509 | | | CK73GB1C104K | CHIP C | 0.10UF | K |
| C510 | | | CK73GB1H102K | CHIP C | 1000PF | K |
| C511 | | | CC73GCH1H101J | CHIP C | 100PF | J |
| C512 | | | CK73GB1H103K | CHIP C | 0.010UF | K |
| C513 | | | CK73GB1H102K | CHIP C | 1000PF | K |
| C550 | | | C92-0041-05 | CHIP-ELE | 10UF | 10WV |
| C551-553 | | | CK73GB1H102K | CHIP C | 1000PF | K |
| C554,555 | | | CC73GCH1H220J | CHIP C | 22PF | J |
| C556,557 | | | CK73GB1H102K | CHIP C | 1000PF | K |
| C600-602 | | | CK73GB1H102K | CHIP C | 1000PF | K |
| C603,604 | | | CC73GCH1H101J | CHIP C | 100PF | J |
| C605-607 | | | CK73GB1H102K | CHIP C | 1000PF | K |
| C608 | | | CC73GCH1H060D | CHIP C | 6.0PF | D |
| C609-611 | | | CK73GB1H102K | CHIP C | 1000PF | K |
| C612,613 | | | CK73GB1C104K | CHIP C | 0.10UF | K |
| C614 | | | CK73GB1H102K | CHIP C | 1000PF | K |
| C615,616 | | | C92-0048-05 | ELECTRO | 100UF | 6.3WV |
| C617 | | | CK73GB1H102K | CHIP C | 1000PF | K |
| C618 | | | CK73GB1C104K | CHIP C | 0.10UF | K |
| C620 | | * | CE32AP0G221M | CHIP-ELE | 220UF | 4WV |
| C700 | | | CK73GB1H102K | CHIP C | 1000PF | K |
| C701 | | | C92-0041-05 | CHIP-ELE | 10UF | 10WV |
| C702-707 | | | CK73GB1H102K | CHIP C | 1000PF | K |
| CN1 | | * | E40-8631-05 | FLAT CABLE CONNECTOR | | |
| CN2 | | * | E40-8630-05 | FLAT CABLE CONNECTOR | | |
| CN3 ,4 | | * | E40-8628-05 | SOCKET FOR PIN ASSY | | |
| CN5 | | * | E40-8629-05 | PIN ASSY | | |
| L1 ,2 | | * | L92-0520-05 | FERRITE CORE | | |
| L3 | | * | L92-0521-05 | FERRITE CORE | | |
| L4 -12 | | * | L92-0520-05 | FERRITE CORE | | |
| L13 -17 | | * | L92-0521-05 | FERRITE CORE | | |
| L18 ,19 | | * | L92-0520-05 | FERRITE CORE | | |
| L20 ,21 | | * | L40-1001-39 | SMALL FIXED INDUCTOR(10UH,K) | | |
| L100 | | * | L92-0521-05 | FERRITE CORE | | |

L : Scandinavia K : USA P : Canada R : Mexico C : China I : Malaysia
 Y : PX(Far East,Hawaii) T : England E : Europe G : Germany V : China(Shanghai)
 Y : AAFES(Europe) X : Australia Q : Russia H : Korea M : Other Areas Δ indicates safety critical components.

* New Parts
 Parts without **Parts No.** are not supplied.
 Les articles non mentionnés dans le **Parts No.** ne sont pas fournis.
 Teile ohne **Parts No.** werden nicht geliefert.

18

| Ref. No | Add-ress | New Parts | Parts No. | Description | Desti-nation | Re-marks |
|-----------|----------|-----------|--------------|------------------------------|--------------|----------|
| L101 | | | L40-1001-39 | SMALL FIXED INDUCTOR(10UH,K) | | |
| L200-203 | | * | L92-0521-05 | FERRITE CORE | | |
| L204-207 | | * | L92-0520-05 | FERRITE CORE | | |
| L208 | | | L40-1001-39 | SMALL FIXED INDUCTOR(10UH,K) | | |
| L209-216 | | * | L92-0520-05 | FERRITE CORE | | |
| L300 | | | L40-1001-39 | SMALL FIXED INDUCTOR(10UH,K) | | |
| L301 | | * | L92-0521-05 | FERRITE CORE | | |
| L401-410 | | * | L92-0520-05 | FERRITE CORE | | |
| L412-420 | | * | L92-0520-05 | FERRITE CORE | | |
| L500 | | | L40-1001-39 | SMALL FIXED INDUCTOR(10UH,K) | | |
| L501 | | * | L92-0520-05 | FERRITE CORE | | |
| L502 | | | L40-2205-34 | SMALL FIXED INDUCTOR(22UH) | | |
| L503-506 | | * | L92-0520-05 | FERRITE CORE | | |
| L600 | | | L40-1001-39 | SMALL FIXED INDUCTOR(10UH,K) | | |
| L601-607 | | * | L92-0520-05 | FERRITE CORE | | |
| L700 | | * | L92-0521-05 | FERRITE CORE | | |
| X500 | | * | L77-2298-05 | CRYSTAL RESONATOR(27MHZ) | | |
| CP100 | | | R90-0737-05 | MULTI-COMP 100K X2 | | |
| CP101 | | * | R90-0978-05 | MULTIPLE RESISTOR | | |
| CP300,301 | | | R90-0748-05 | MULTI-COMP 47K X4 | | |
| CP400,401 | | * | R90-0978-05 | MULTIPLE RESISTOR | | |
| CP500-504 | | | R90-0737-05 | MULTI-COMP 100K X2 | | |
| R1 | | * | R92-1958-05 | METAL GLAZE RESISTOR | | |
| R2 | | | RK73GB1J223J | CHIP R 22K | J | 1/16W |
| R3 | | | RK73GB1J123J | CHIP R 12K | J | 1/16W |
| R4 | | | RK73GB1J2R2J | CHIP R 2.2 | J | 1/16W |
| R5 | | | RK73GB1J564J | CHIP R 560K | J | 1/16W |
| R6 | | | RK73GB1J154J | CHIP R 150K | J | 1/16W |
| R7 ,8 | | | RK73GB1J103J | CHIP R 10K | J | 1/16W |
| R9 | | | RK73GB1J823J | CHIP R 82K | J | 1/16W |
| R10 | | | RK73GB1J393J | CHIP R 39K | J | 1/16W |
| R11 | | | RK73GB1J752J | CHIP R 7.5K | J | 1/16W |
| R12 | | | RK73GB1J123J | CHIP R 12K | J | 1/16W |
| R13 | | | RK73GB1J393J | CHIP R 39K | J | 1/16W |
| R14 | | | RK73GB1J272J | CHIP R 2.7K | J | 1/16W |
| R15 | | | RK73GB1J223J | CHIP R 22K | J | 1/16W |
| R16 | | | RK73GB1J103J | CHIP R 10K | J | 1/16W |
| R17 | | | RK73GB1J223J | CHIP R 22K | J | 1/16W |
| R18 | | | RK73GB1J153J | CHIP R 15K | J | 1/16W |
| R19 ,20 | | | RK73GB1J474J | CHIP R 470K | J | 1/16W |
| R21 | | * | RK73GB1J155J | CHIP R 1.5M | J | 1/16W |
| R22 | | | RK73GB1J332J | CHIP R 3.3K | J | 1/16W |
| R23 | | | RK73GB1J822J | CHIP R 8.2K | J | 1/16W |
| R24 | | | RK73GB1J183J | CHIP R 18K | J | 1/16W |
| R100 | | | RK73GB1J103J | CHIP R 10K | J | 1/16W |
| R101 | | | RK73GB1J473J | CHIP R 47K | J | 1/16W |
| R102 | | | RK73GB1J223J | CHIP R 22K | J | 1/16W |
| R103 | | | RK73GB1J183J | CHIP R 18K | J | 1/16W |
| R104 | | | RK73GB1J123J | CHIP R 12K | J | 1/16W |
| R105 | | | RK73GB1J822J | CHIP R 8.2K | J | 1/16W |
| R106,107 | | | RK73GB1J473J | CHIP R 47K | J | 1/16W |
| R108 | | | RK73GB1J472J | CHIP R 4.7K | J | 1/16W |
| R109 | | | RK73GB1J470J | CHIP R 47 | J | 1/16W |
| R110 | | | RK73GB1J103J | CHIP R 10K | J | 1/16W |

L : Scandinavia K : USA P : Canada R : Mexico C : China I : Malaysia
 Y : PX(Far East,Hawaii) T : England E : Europe G : Germany V : China(Shanghai)
 Y : AAFES(Europe) X : Australia Q : Russia H : Korea M : Other Areas Δ indicates safety critical components.

* New Parts
 Parts without **Parts No.** are not supplied.
 Les articles non mentionnés dans le **Parts No.** ne sont pas fournis.
 Teile ohne **Parts No.** werden nicht geliefert.

19

| Ref. No | Address | New Parts | Parts No. | Description | Destination | Remarks |
|----------|---------|-----------|--------------|----------------------|-------------|---------|
| R111 | | | RK73GB1J101J | CHIP R 100 J 1/16W | | |
| R112-114 | | | RK73GB1J103J | CHIP R 10K J 1/16W | | |
| R115 | | | RK73GB1J473J | CHIP R 47K J 1/16W | | |
| R116,117 | | | RK73GB1J683J | CHIP R 68K J 1/16W | | |
| R118 | | | RK73GB1J123J | CHIP R 12K J 1/16W | | |
| R119 | | | RK73GB1J101J | CHIP R 100 J 1/16W | | |
| R120 | | | RK73GB1J223J | CHIP R 22K J 1/16W | | |
| R121,122 | | | RK73GB1J333J | CHIP R 33K J 1/16W | | |
| R123 | | | RK73GB1J362J | CHIP R 3.6K J 1/16W | | |
| R124-127 | | | RK73GB1J103J | CHIP R 10K J 1/16W | | |
| R129 | | | RK73GB1J103J | CHIP R 10K J 1/16W | | |
| R130 | | | RK73GB1J102J | CHIP R 1.0K J 1/16W | | |
| R131 | | | RK73GB1J472J | CHIP R 4.7K J 1/16W | | |
| R132 | | | RK73GB1J102J | CHIP R 1.0K J 1/16W | | |
| R200 | | | RK73GB1J183J | CHIP R 18K J 1/16W | | |
| R201 | | | RK73GB1J622J | CHIP R 6.2K J 1/16W | | |
| R202,203 | | | RK73GB1J222J | CHIP R 2.2K J 1/16W | | |
| R204,205 | | | RK73GB1J271J | CHIP R 270 J 1/16W | | |
| R206-209 | | | RK73GB1J103J | CHIP R 10K J 1/16W | | |
| R210 | | | RK73GB1J473J | CHIP R 47K J 1/16W | | |
| R213 | | | R92-1959-05 | METAL GLAZE 0.5 F 1W | | |
| R300,301 | | | RK73GB1J102J | CHIP R 1.0K J 1/16W | | |
| R302,303 | | | RK73GB1J473J | CHIP R 47K J 1/16W | | |
| R304 | | | RK73GB1J102J | CHIP R 1.0K J 1/16W | | |
| R400-405 | | | RK73GB1J473J | CHIP R 47K J 1/16W | | |
| R406-411 | | | RK73GB1J221J | CHIP R 220 J 1/16W | | |
| R412 | | | RK73GB1J473J | CHIP R 47K J 1/16W | | |
| R413-416 | | | RK73GB1J564J | CHIP R 560K J 1/16W | | |
| R417-424 | | | RK73GB1J102J | CHIP R 1.0K J 1/16W | | |
| R425 | | | RK73GB1J101J | CHIP R 100 J 1/16W | | |
| R426 | | | RK73GB1J223J | CHIP R 22K J 1/16W | | |
| R427 | | | RK73GB1J473J | CHIP R 47K J 1/16W | | |
| R428 | | | RK73GB1J153J | CHIP R 15K J 1/16W | | |
| R429 | | | RK73GB1J333J | CHIP R 33K J 1/16W | | |
| R430,431 | | | RK73GB1J473J | CHIP R 47K J 1/16W | | |
| R432-446 | | | RK73GB1J101J | CHIP R 100 J 1/16W | | |
| R447 | | | RK73GB1J220J | CHIP R 22 J 1/16W | | |
| R448 | | | RK73GB1J101J | CHIP R 100 J 1/16W | | |
| R449-458 | | | RK73GB1J3R9J | CHIP R 3.9 J 1/16W | | |
| R500 | | | RK73GB1J103J | CHIP R 10K J 1/16W | | |
| R501,502 | | | RK73GB1J473J | CHIP R 47K J 1/16W | | |
| R503 | | | RK73GB1J103J | CHIP R 10K J 1/16W | | |
| R504 | | | RK73GB1J473J | CHIP R 47K J 1/16W | | |
| R505 | | | RK73GB1J472J | CHIP R 4.7K J 1/16W | | |
| R506 | | | RK73GB1J103J | CHIP R 10K J 1/16W | | |
| R507 | | | RK73GB1J472J | CHIP R 4.7K J 1/16W | | |
| R508-510 | | | RK73GB1J473J | CHIP R 47K J 1/16W | | |
| R511 | | | RK73GB1J3R9J | CHIP R 3.9 J 1/16W | | |
| R512 | | | RK73GB1J2R2J | CHIP R 2.2 J 1/16W | | |
| R513 | | | RK73GB1J473J | CHIP R 47K J 1/16W | | |
| R516,517 | | | RK73GB1J473J | CHIP R 47K J 1/16W | | |
| R520 | | | RK73GB1J102J | CHIP R 1.0K J 1/16W | | |
| R550 | | | RK73GB1J105J | CHIP R 1.0M J 1/16W | | |
| R551 | | | RK73GB1J221J | CHIP R 220 J 1/16W | | |
| R553 | | | RK73GB1J105J | CHIP R 1.0M J 1/16W | | |

L : Scandinavia K : USA P : Canada R : Mexico C : China I : Malaysia
 Y : PX(Far East,Hawaii) T : England E : Europe G : Germany V : China(Shanghai)
 Y : AAFES(Europe) X : Australia Q : Russia H : Korea M : Other Areas Δ indicates safety critical components.

* New Parts
 Parts without **Parts No.** are not supplied.
 Les articles non mentionnés dans le **Parts No.** ne sont pas fournis.
 Teile ohne **Parts No.** werden nicht geliefert.

20

| Ref. No | Address | New Parts | Parts No. | Description | Destination | Remarks |
|-----------|---------|-----------|----------------|------------------------------|-------------|---------|
| R600,601 | | | RK73GB1J101J | CHIP R 100 J 1/16W | | |
| R602,603 | | | RK73GB1J473J | CHIP R 47K J 1/16W | | |
| R605,606 | | | RK73GB1J102J | CHIP R 1.0K J 1/16W | | |
| R609 | | | RK73GB1J271J | CHIP R 270 J 1/16W | | |
| R610 | | | RK73GB1J102J | CHIP R 1.0K J 1/16W | | |
| R611 | | | RK73GB1J101J | CHIP R 100 J 1/16W | | |
| R612 | | | RK73GB1J331J | CHIP R 330 J 1/16W | | |
| R613 | | | RK73GB1J102J | CHIP R 1.0K J 1/16W | | |
| R614 | | | RK73GB1J101J | CHIP R 100 J 1/16W | | |
| R615 | | | RK73GB1J181J | CHIP R 180 J 1/16W | | |
| R616 | | | RK73GB1J102J | CHIP R 1.0K J 1/16W | | |
| R617 | | | RK73GB1J101J | CHIP R 100 J 1/16W | | |
| R618 | | | RK73GB1J331J | CHIP R 330 J 1/16W | | |
| R619 | | | RK73GB1J102J | CHIP R 1.0K J 1/16W | | |
| R620 | | | RK73GB1J101J | CHIP R 100 J 1/16W | | |
| R621 | | | RK73GB1J331J | CHIP R 330 J 1/16W | | |
| R622 | | | RK73GB1J102J | CHIP R 1.0K J 1/16W | | |
| R623 | | | RK73GB1J101J | CHIP R 100 J 1/16W | | |
| R624 | | | RK73GB1J331J | CHIP R 330 J 1/16W | | |
| R626 | | | RK73GB1J151J | CHIP R 150 J 1/16W | | |
| VR600-602 | | * | R32-0093-05 | SEMI FIXED VARIABLE RESISTOR | | |
| W1 | | | R92-1963-05 | JUMPER WIRE (RESISTOR TYPE) | | |
| D100-102 | | | DA204U | DIODE | | |
| D400 | | | MA111 | DIODE | | |
| D500 | | | MA111 | DIODE | | |
| D600 | | | MA111 | DIODE | | |
| IC1 | | * | TK11120S | ANALOGUE IC | | |
| IC2 | | | AN8706FHQ | ANALOGUE IC | | |
| IC100 | | | MN67705EA | MOS-IC | | |
| IC201 | | * | AN8785SB | ANALOGUE IC | | |
| IC202 | | * | AN8480NSB | ANALOGUE IC | | |
| IC300 | | * | MN103007B | MOS-IC | | |
| IC301 | | | TC7SH32FU | MOS-IC | | |
| IC302 | | | TC7SH08FU | MOS-IC | | |
| IC400 | | * | MN677521HB | MOS-IC | | |
| IC401,402 | | * | EM636165TS-8 | MEMORY IC | | |
| IC401,402 | | | HY57V16160DTC | MEMORY IC | | |
| IC403 | | * | TC7SET04FU | MOS-IC | | |
| IC404 | | * | PQ2TZ15U | ANALOGUE IC | | |
| IC405,406 | | | TC74HCT7007AF | MOS-IC | | |
| IC407 | | | NJM2115V | ANALOGUE IC | | |
| IC500 | | * | MN102LP25G | MI-COM IC | | |
| IC501 | | | PST596JNR | ANALOGUE IC | | |
| IC502 | | * | X25057M-2.7 | MEMORY IC | | |
| IC503 | | * | AT49LV8192A90T | MEMORY IC | | |
| IC504 | | * | BS62LV1024ST70 | MEMORY IC | | |
| IC504 | | * | KM68U1000E10 | MEMORY IC | | |
| IC505,506 | | | TC7SHU04FU | MOS-IC | | |
| IC507,508 | | | TC7WH74FU | MOS-IC | | |
| IC600 | | * | ADV7190 | MOS-IC | | |
| IC601 | | * | PQ1R33 | ANALOGUE IC | | |
| IC700 | | * | MN5C027D4H | MOS-IC | | |
| IC701 | | * | TC3W02FU | MOS-IC | | |
| Q1 | | | 2SB1115A | TRANSISTOR | | |

L : Scandinavia K : USA P : Canada R : Mexico C : China I : Malaysia
 Y : PX(Far East,Hawaii) T : England E : Europe G : Germany V : China(Shanghai)
 Y : AAFES(Europe) X : Australia Q : Russia H : Korea M : Other Areas Δ indicates safety critical components.

DV-4070-B/DVF-R7030-B/R9030
 PARTS LIST

DV-4070-B/DVF-R7030-B/R9030

PARTS LIST

* New Parts
 Parts without **Parts No.** are not supplied.
 Les articles non mentionnés dans le **Parts No.** ne sont pas fournis.
 Teile ohne **Parts No.** werden nicht geliefert.



| Ref. No | Add-ress | New Parts | Parts No. | Description | Desti-nation | Re-marks |
|----------|----------|-----------|---------------|--------------------|--------------|----------|
| Q2 | | | DTC124EUA | DIGITAL TRANSISTOR | | |
| Q3 | | | DTA124EUA | DIGITAL TRANSISTOR | | |
| Q4 | | | DTC124EUA | DIGITAL TRANSISTOR | | |
| Q100 | | | DTC124EUA | DIGITAL TRANSISTOR | | |
| Q200,201 | | | DTC124EUA | DIGITAL TRANSISTOR | | |
| Q202 | | | DTA124EUA | DIGITAL TRANSISTOR | | |
| Q500 | | | 2SC4081(R,S) | TRANSISTOR | | |
| Q501 | | | 2SA1576A(R,S) | TRANSISTOR | | |
| Q502 | | | DTC124EUA | DIGITAL TRANSISTOR | | |
| Q601-605 | | | 2SA1576A(R,S) | TRANSISTOR | | |

L : Scandinavia **K** : USA **P** : Canada **R** : Mexico **C** : China **I** : Malaysia
Y : PX(Far East,Hawaii) **T** : England **E** : Europe **G** : Germany **V** : China(Shanghai)
Y : AAFES(Europe) **X** : Australia **Q** : Russia **H** : Korea **M** : Other Areas indicates safety critical components .