

INTEGRATED AMPLIFIER

KA-1030

KENWOOD CORPORATION

KENWOOD

Specifications

Audio Section

Rated Power Output

Maximum continuous output power
(IEC) from 63 Hz to 12,500 Hz 0.7%

T.H.D.at 8 Ω65 W + 65 W
(DIN) 1,000 Hz at 8 Ω65 W + 65 W
at 4 Ω65 W + 65 W

Total Harmonic Distortion

(20 Hz to 20,000 Hz)0.03% at rated power into 8 Ω

Intermodulation Distortion

(60 Hz:7kHz = 4:1).....0.03% at rated power into 8 Ω

Damping factor40 (50 Hz at 8 Ω)

Frequency Response.....10 Hz to 60 kHz, +0 dB, -3 dB

Input Sensitivity/Impedance

Phono.....2.5 mV/47 k Ω

Tuner/Tape /CD200 mV/27 k Ω

Signal-to-noise Ratio (IHF-A)

Phono.....75 dB for 2.5 mV input

Tuner/Tape/CD100 dB for 200 mV input

Phono Maximum Input Level.....100 mV, T.H.D. 0.05% at 1 kHz

Output Level/Impedance

Tape REC (Pin).....200 mV/330 Ω

Phono Frequency Response.....RIAA standard curve ± 0.5 dB (20 Hz to 20,000 Hz)

Tone control

Bass..... ± 10 dB (at 100 Hz)

Treble..... ± 10 dB (at 10 kHz)

Loudness Control.....+8 dB at 100 Hz (at -30 dB VOLUME Level)

General

Power Consumption.....150 W

Dimensions.....W:440 mm

H: 137 mm

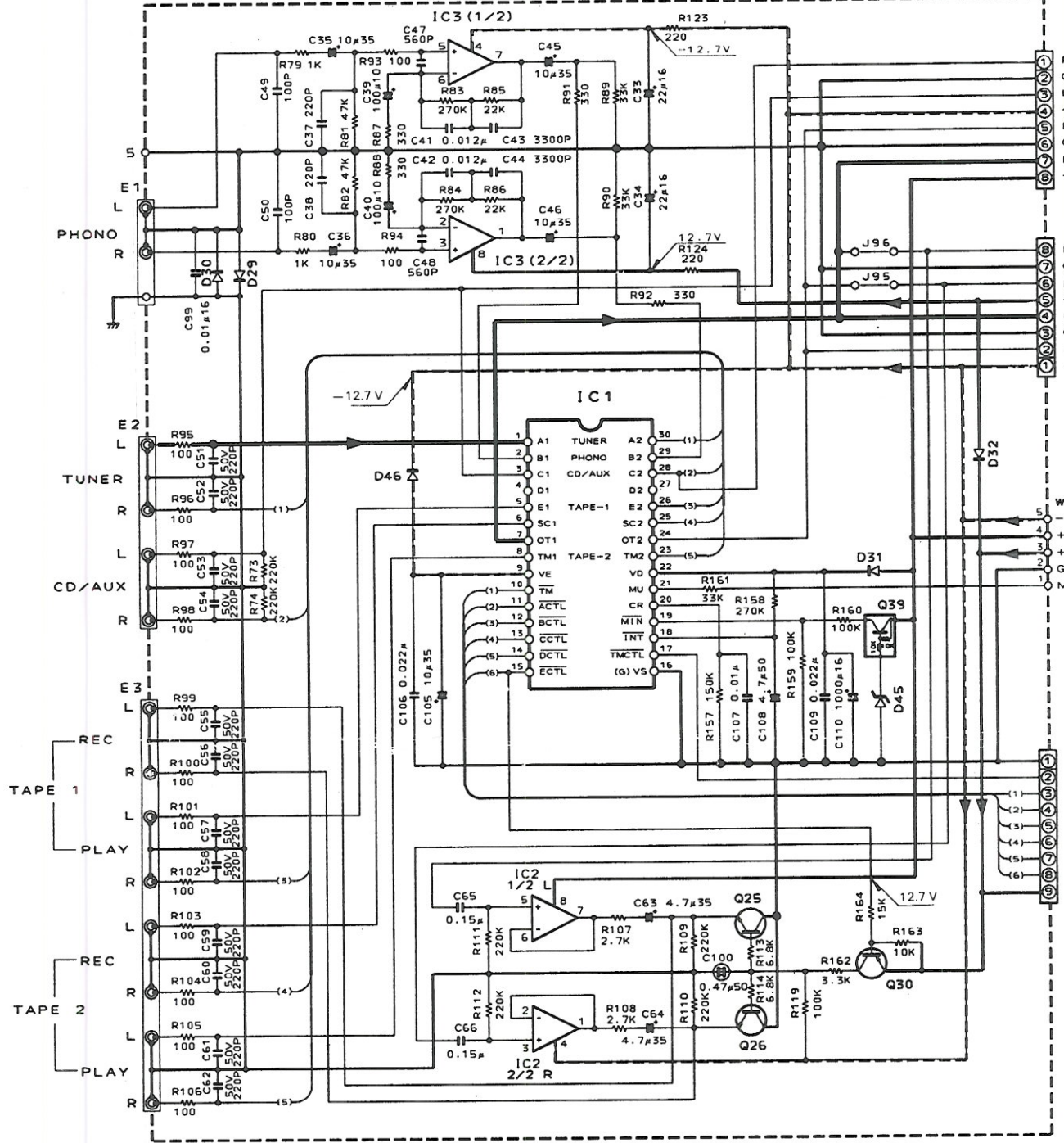
D: 281 mm

Weight (Net)6.7 kg (14.7 lb)

Note:

KENWOOD follows a policy of continuous advancements in development. For this reason specifications may be changed without notice.

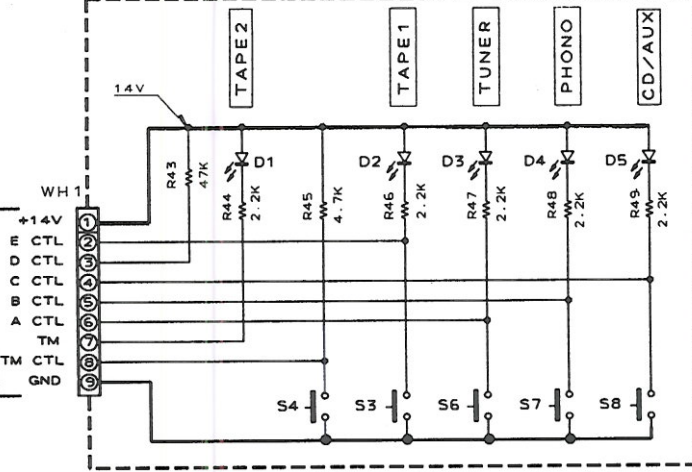
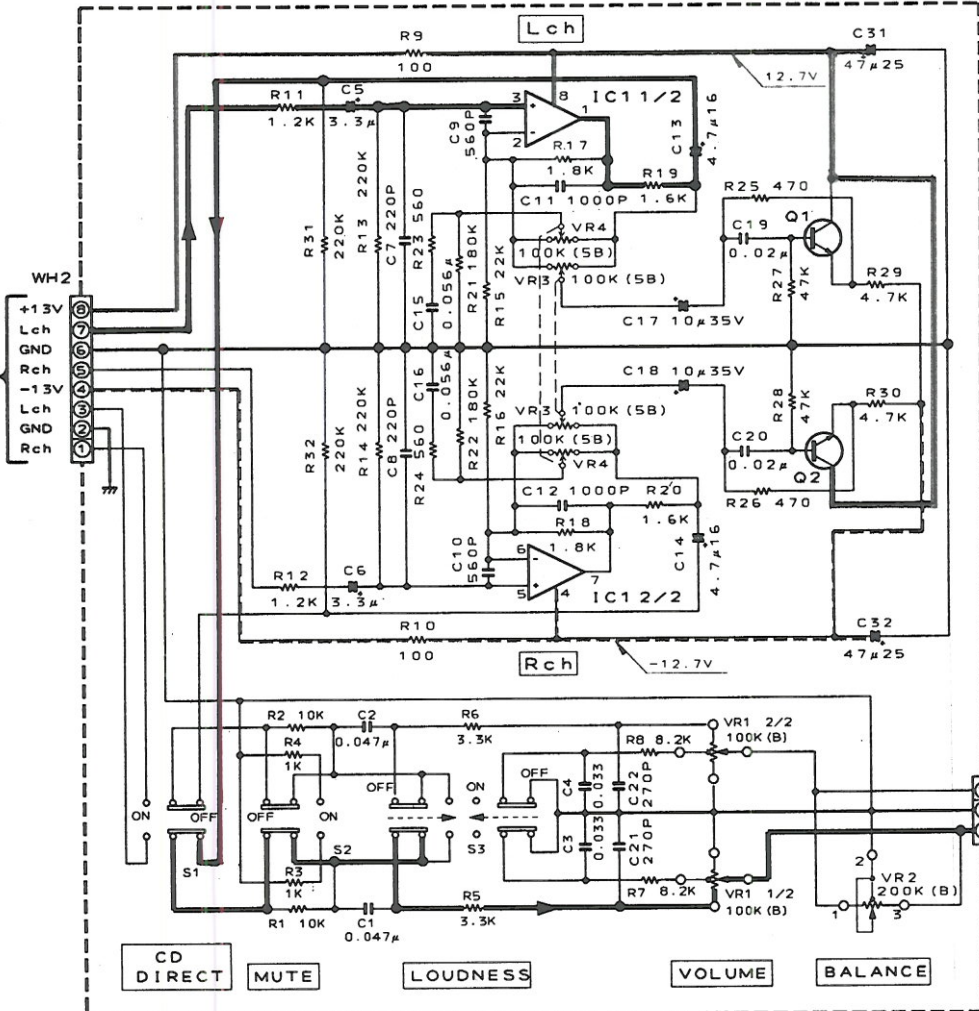
(X09-2862-73) (B/6)



(X09-2862-73) (B/6)

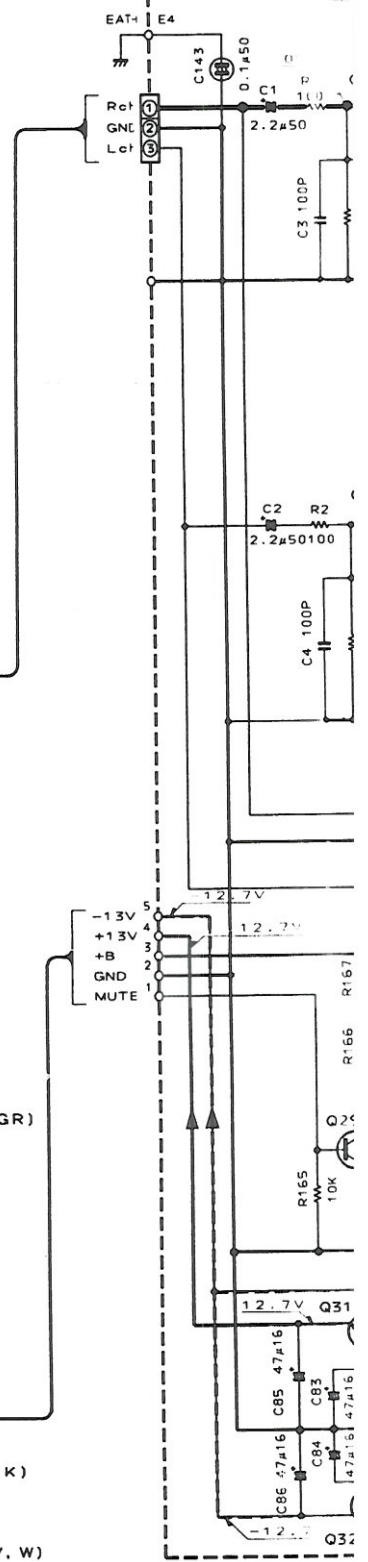
- | | | | |
|---------|-------------------|------------|--------------------|
| IC1 | : LC7818 | Q39 | : DTA124EN |
| IC2, 3 | : μ PC4570C-A | D29~32, 46 | : 1SS133 or 1SS104 |
| Q25, 26 | : 2SC2878 (B) | D45 | : RD10ES (B) |
| Q30 | : 2SA733 (A) (QP) | | or HZS10N (B) |
| | or 2SA933 (QR) | | |

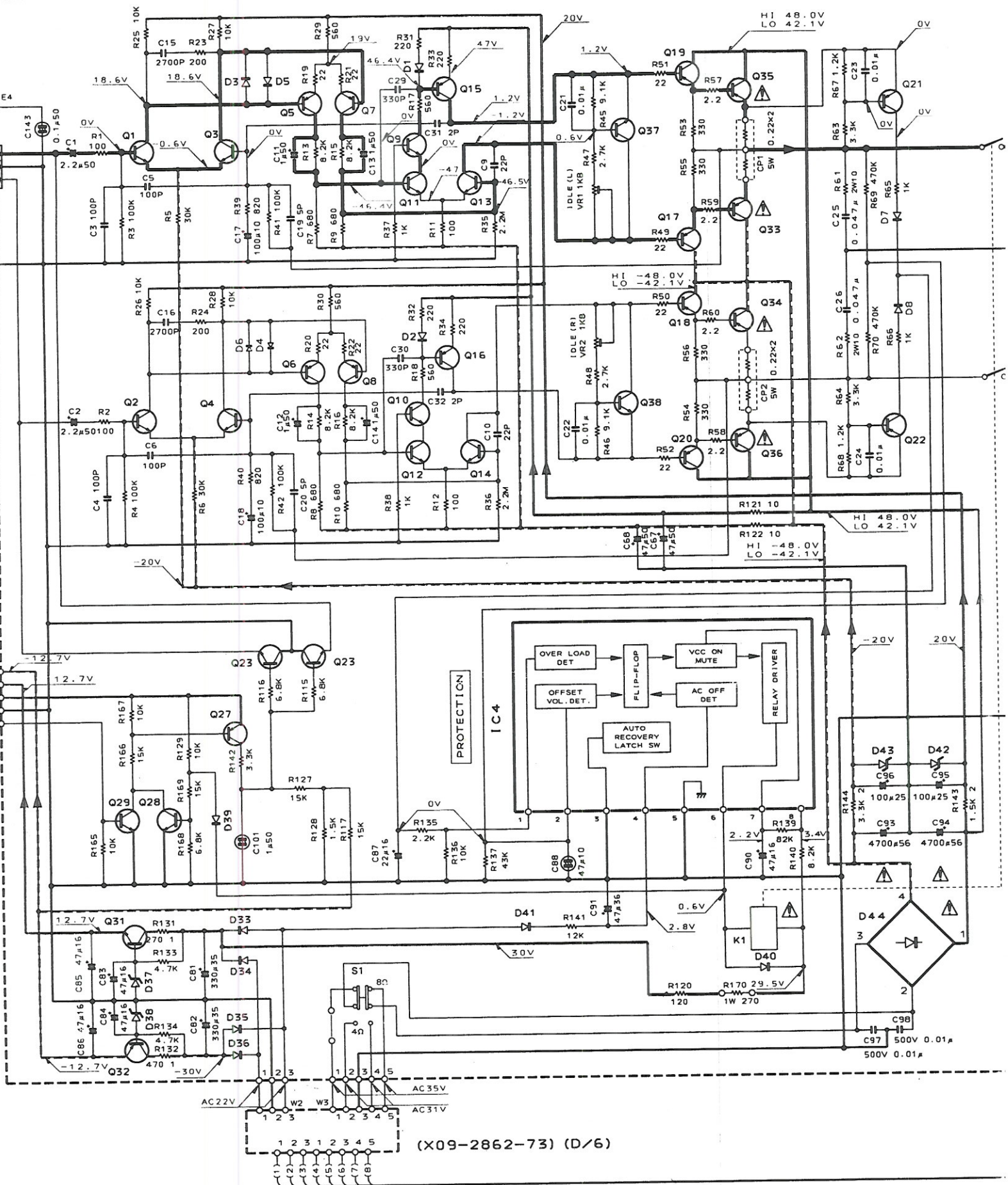
2
3
4
5
6

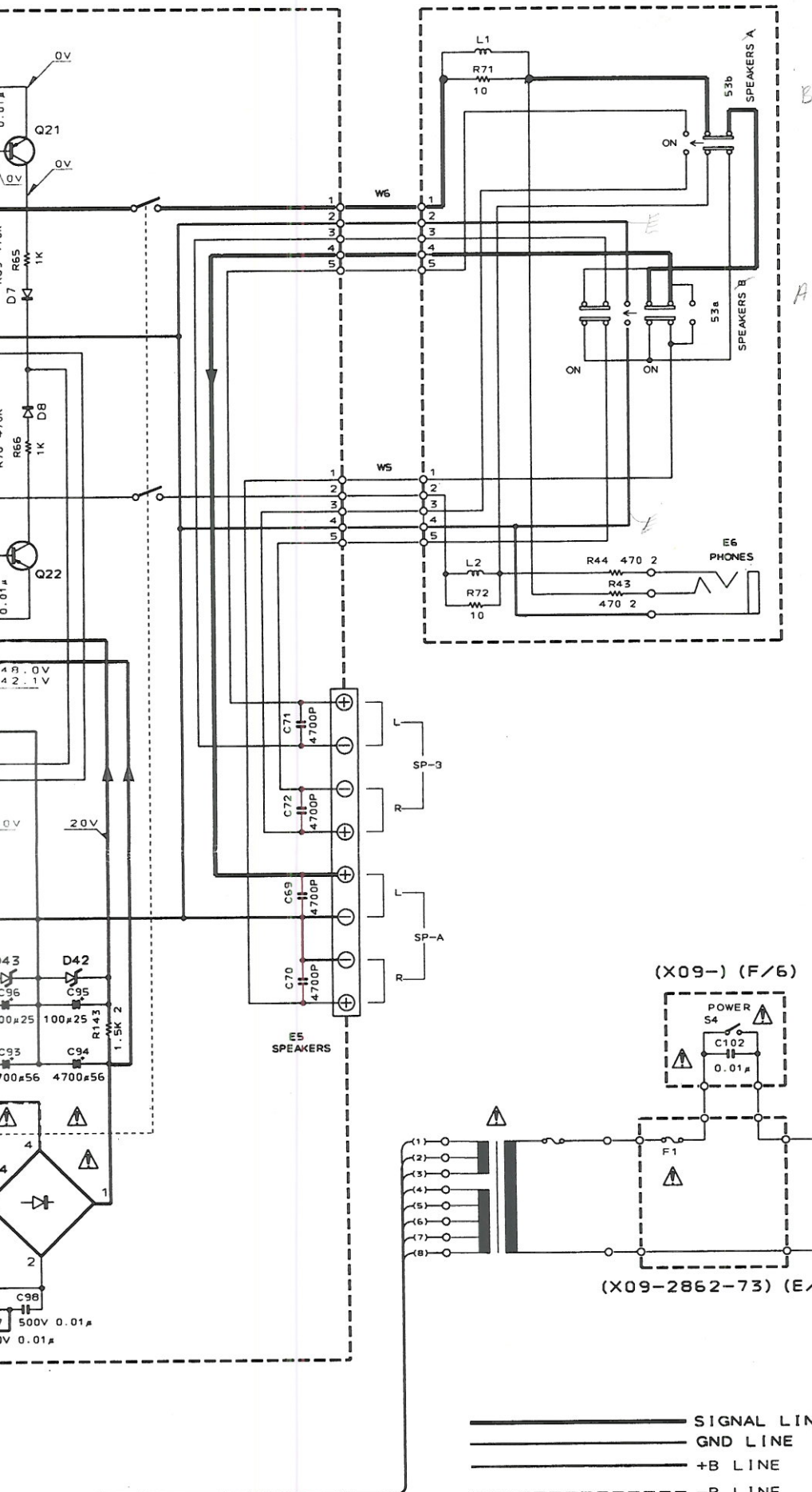


- (X11-3042-70)
 IC1 RC4565D-D
 or NJM4565D-D
 Q1, 2 2SC1740S (QP)
 or 2SC245B (Y. GR)
 D1 ~ 5 : B30-1291-05

- | | | | |
|------------------|---------------------------------------|--------------|--------------------------------|
| IC4 | : PC1237HA | Q32 | : 2SA954 (L, K) |
| Q1~4 | : 2SC1845 (F, E) | Q33, 34 | : 2SA1694-5 |
| Q5~8, 21, 22, 27 | : 2SA733 (A) (QP)
or 2SA933 (QR) | Q35, 36 | : 2SC4467-5 |
| Q9~4 | : 2SC2632 (Q, R, S) | Q37, 38 | : 2SC4137 (V, W) |
| Q15, 16 | : 2SA1124 (Q, R, S) | D1~8, 39, 40 | : 1SS133 or 1SS104 |
| Q17, 18 | : 2SA1284 (D, E) | D33~36, 41 | : S5566B |
| Q19, 20 | : 2SC3244 (D, E) | D37, 38 | : RD13ES (B2)
or HZS13N (B) |
| Q23, 24 | : 2SC2878 (B) | D42, 43 | : RD20ES (B)
or HZS20N (B) |
| Q28, 29 | : 2SC945 (A) (QP)
or 2SC1740S (QR) | D44 | : RBV-402LFA
or D3SBA20F03 |
| Q31 | : 2SD882 | | |







DTA124EN



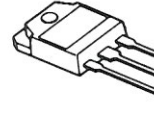
- 2SA1124
- 2SA1284
- 2SA733(A)
- 2SA954
- 2SC1845
- 2SC2632
- 2SC2878
- 2SC3244
- 2SC945(A)



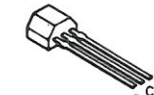
2SD882



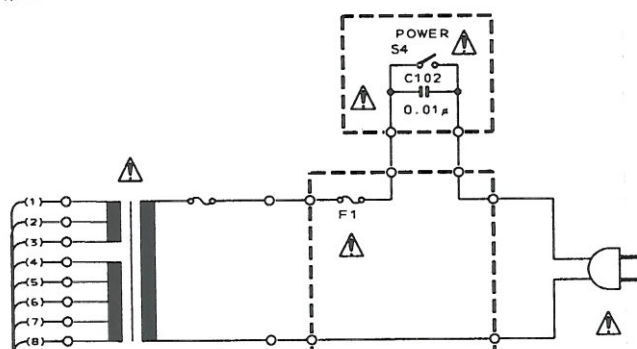
- 2SA1694*5
- 2SC4467*5



- 2SA933S
- 2SC1740S
- 2SC2458



(X09-) (F/6)



(X09-2862-73) (E/6)

- SIGNAL LINE
- ==== GND LINE
- +B LINE
- -B LINE

CAUTION: For continents only with many parts list). ⚠ Indicate risk of electric shock, it shall be carried out (e) the supply circuit) before.

DC voltages are as per. Values may vary individual instruments or

Les tensions c.c. de haute impédance. Les fait des variations individuelle de mesure individuelle.

Die angegebenen Spannungswerte sind nur für die Messung mit hochohmigen Spannungsmessgeräten zu verwenden. Die angezeigten Messwerte sind nur für die Messung mit hochohmigen Spannungsmessgeräten zu verwenden.

F

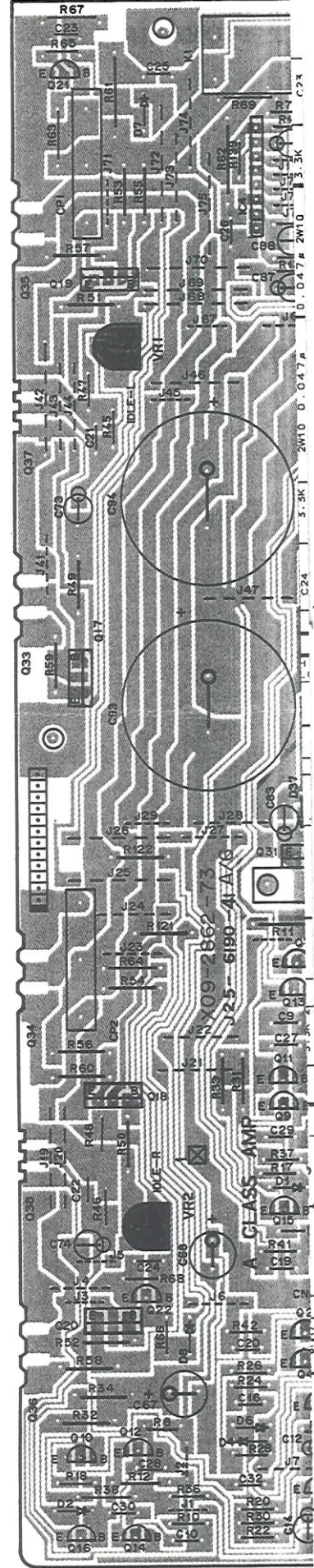
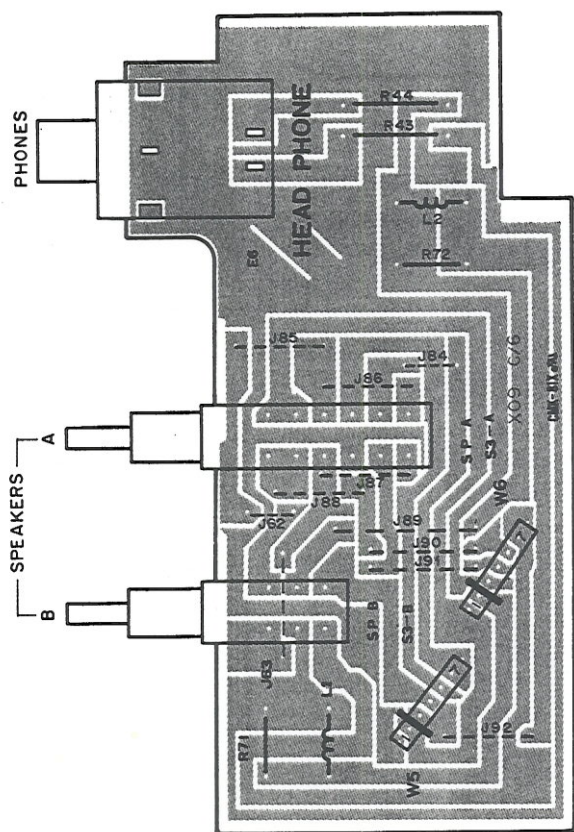
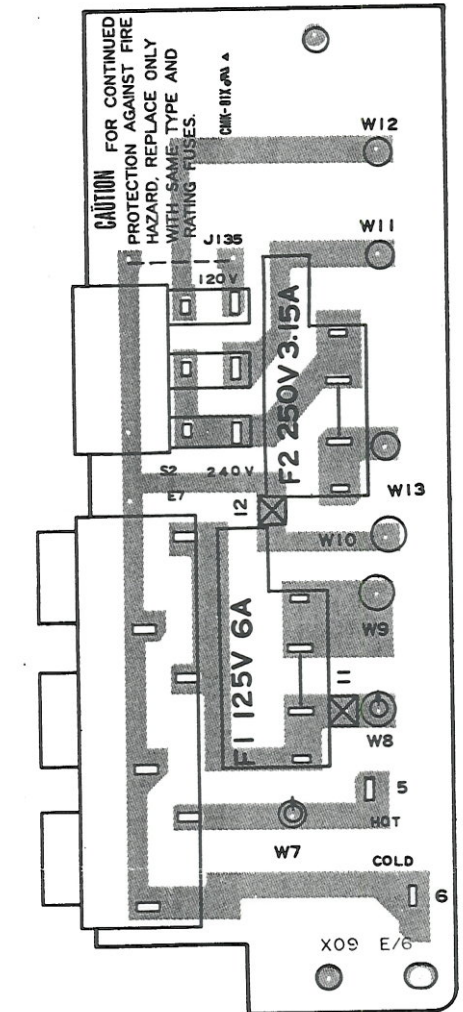
G

H

J

PC BOARD (Foil Side View)

AUDIO UNIT



2

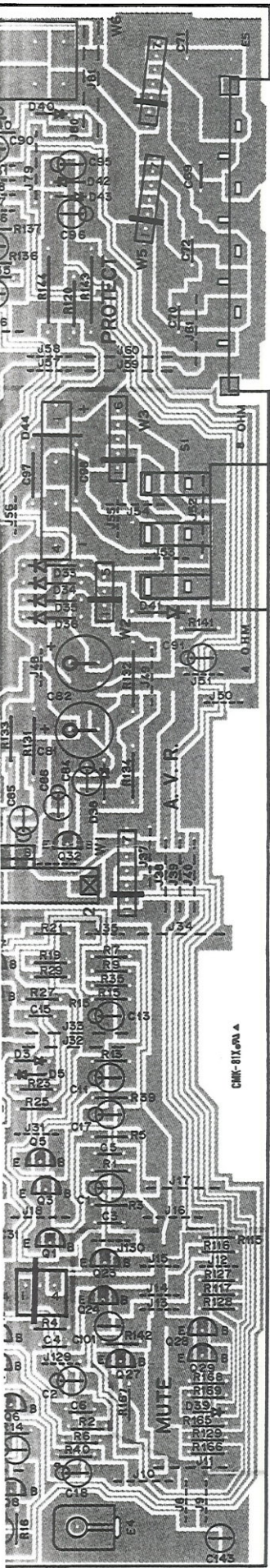
3

4

5

6

7



IMPEDANCE SELECT

SPEAKERS

