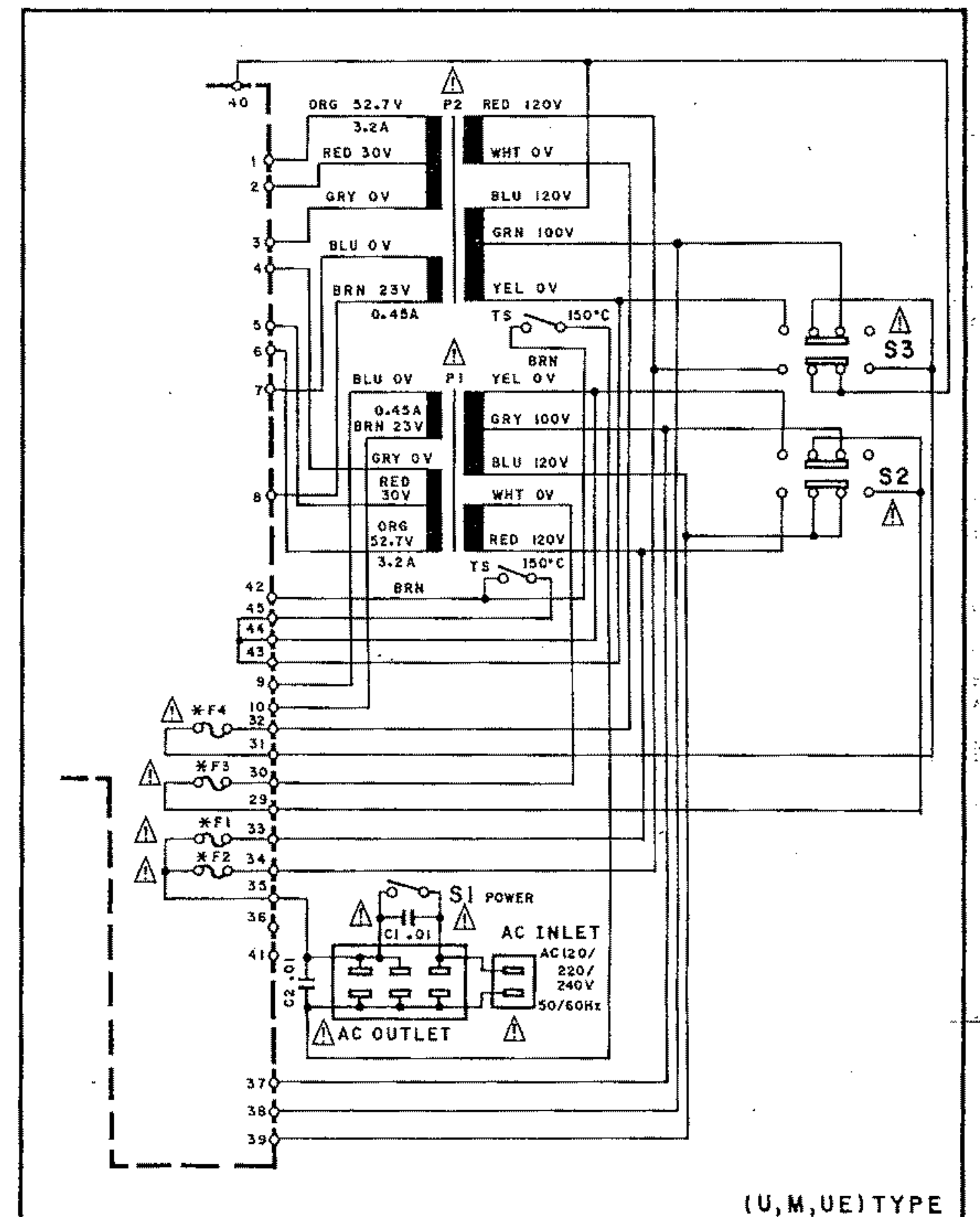
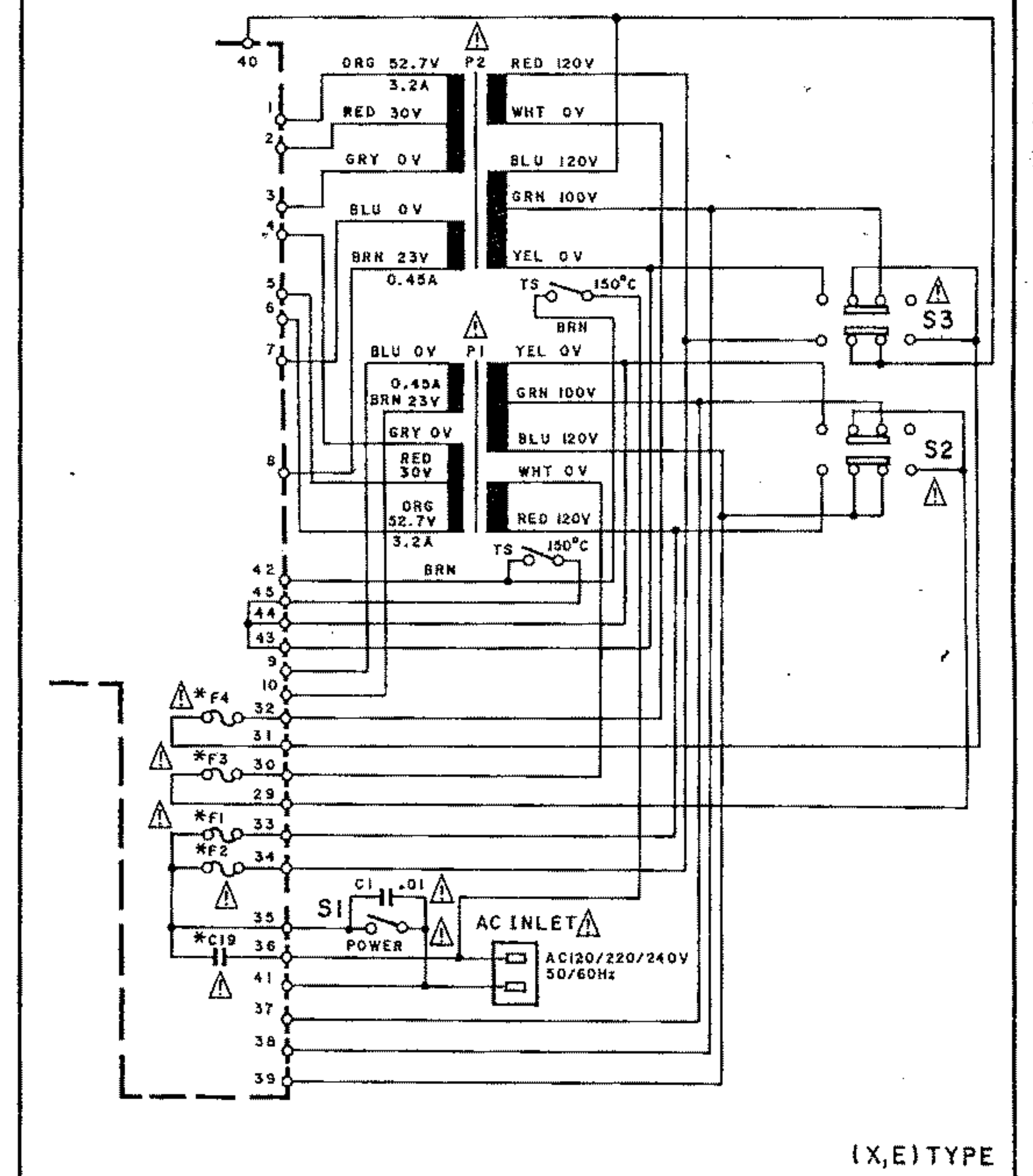


- (X00-2280-11)  
 Q1,3 : 2SD313V-AL  
 Q2 : 2SC2003 (L,K)  
 Q4 : 2SC2320  
 or 2SC945(A)  
 D1 : S15VB20  
 D2 : D5FB20  
 D3~7 : DSM1A1  
 D8 : RD27E (B1)  
 D10 : RD13E (B1)  
 D11,12 : IS2076 or IS1555

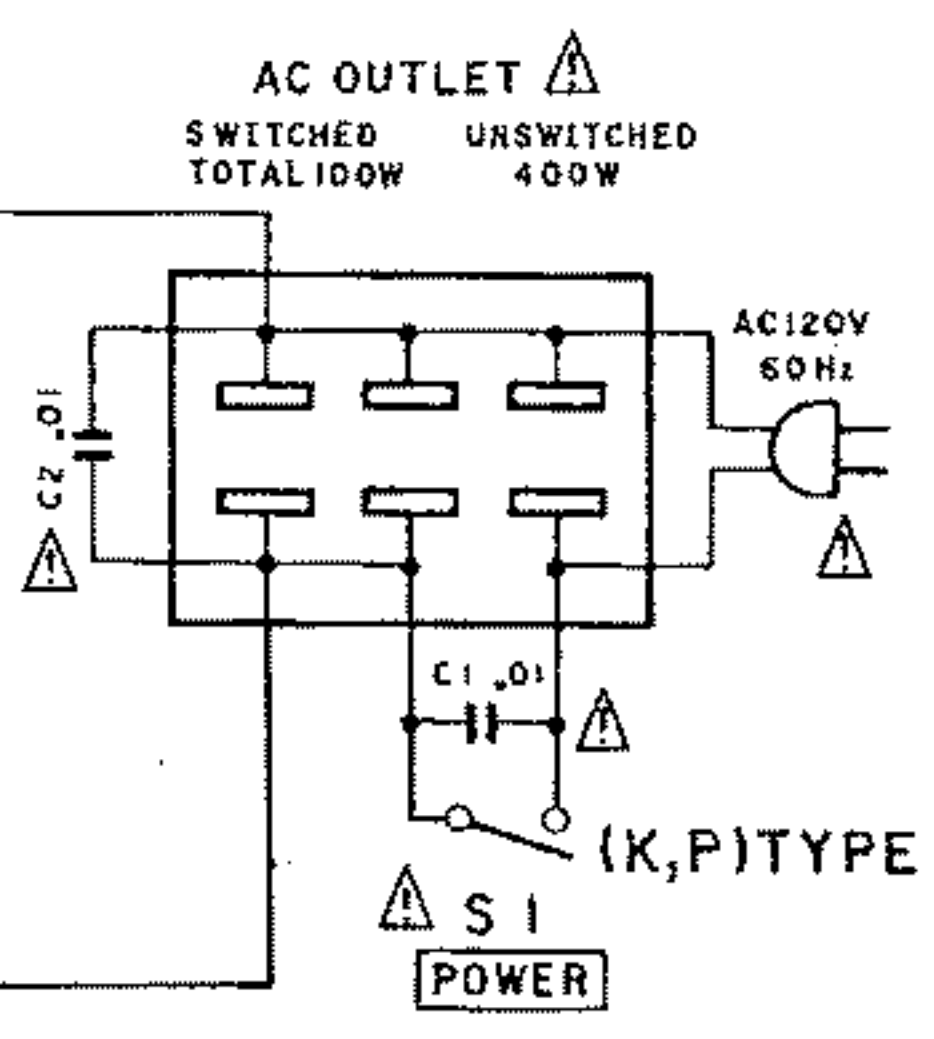
DESTINATION	K,P	U,M	X,E
F1	SA	4A	F4A
F2	NO	2A	F2A
F3	NO	2A	F2A
F4	SA	4A	F4A
CIQ	NO	NO	.01



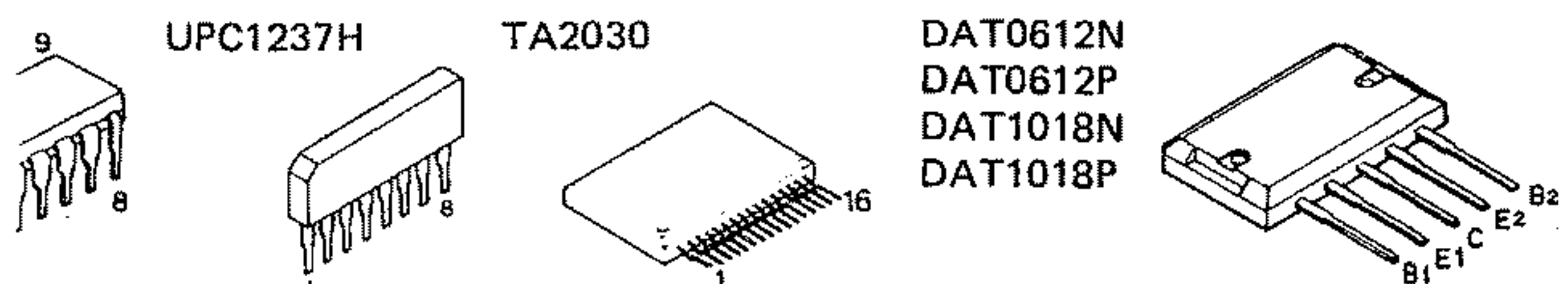
(U,M,UE) TYPE



(X,E) TYPE



KA-1100SD (K) (B/2)



• DC voltages are as measured with a high impedance voltmeter with no signal input. Values may vary slightly due to variations between individual instruments or/and units.

**CAUTION:** For continued safety, replace safety critical components only with manufacturer's recommended parts (refer to parts list).  $\Delta$  Indicates safety critical components. To reduce the risk of electric shock, leakage current or resistance measurements shall be carried out (exposed parts are acceptably insulated from the supply circuit) before the appliance is returned to the customer.





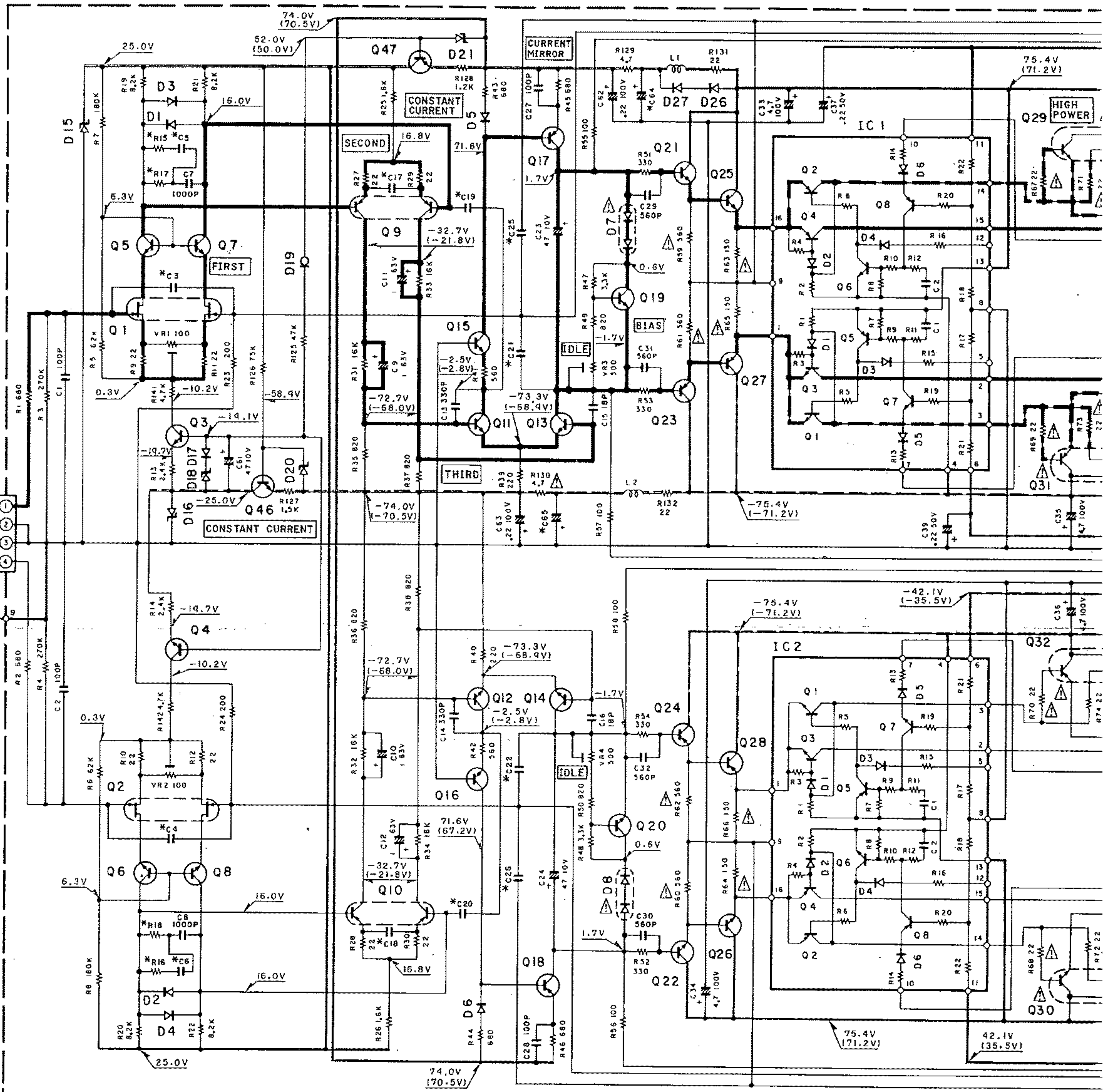
(X07-2200-11)

- IC1, 2
- IC3
- Q1, 2
- Q3 ~ 8
- Q9, 10
- Q11, 12, 46
- Q13, 14
- Q15, 16
- Q17, 18
- Q19, 20
- Q21, 22, 43, 44
- Q23, 24
- Q25, 26
- Q27, 28
- Q29, 30
- Q31, 32
- Q33, 34
- Q35, 36
- Q37, 38
- Q39 ~ 42
- Q45
- Q47
- D1 ~ 6, 17
- D7, 8
- D9 ~ 12
- D13, 14, 22 ~ 25
- D15, 16
- D18
- D19
- D20
- D21
- D26, 27

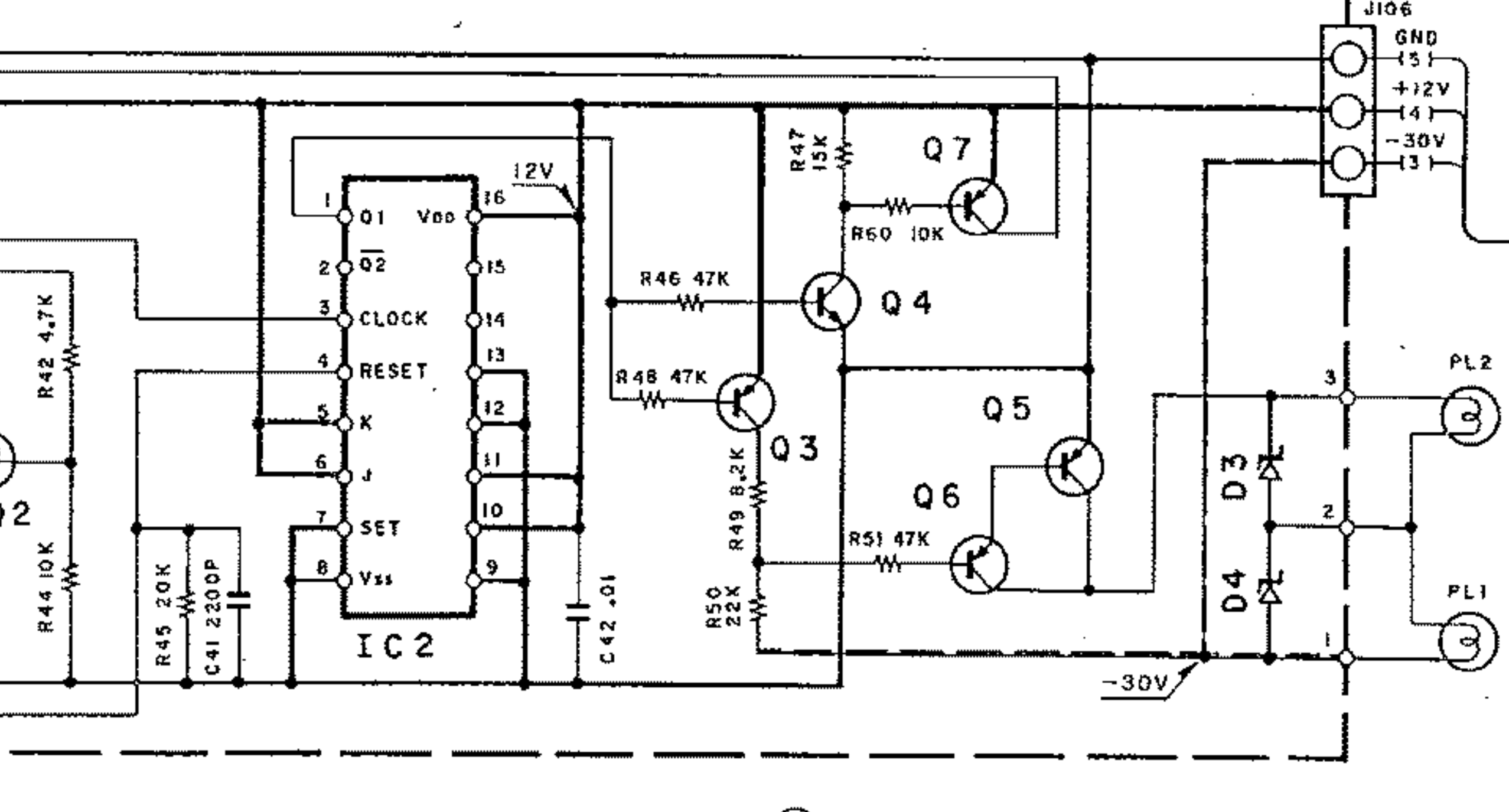
- TA2030
- μPC1237H
- μPA68H
- 2SC1845
- 2SA1349
- 2SC2632 (Q,R,S)
- 2SC2632A
- 2SC2632 (Q,R)
- 2SA1124A
- 2SC1841
- 2SC2631A
- 2SA1123A
- 2SC2592
- 2SA1124X1
- DAT1018N
- DAT1018P
- DAT0612N
- DAT0612P
- 2SC2320 (F,E)
- 2SA999
- 2SA988
- 2SA957
- IS2076
- STV-2H
- RU4Z
- IS2076A
- RD24JB (B3)
- RD5.6JB (B1)
- E-102
- RD16JB (B2)
- RD22JB (B2)
- DSM1A1

DESTINATION	X,P,U,M,V,E	X,E
O-11		2-71
C3,4	NO	47P
C5,6	470P	100P
C45,46	.047	.1
C47,48	JUMPER	.1
C53,54	.033	.068
C55,56	JUMPER	.068
C57~60	NO	4700P
C14,20	33P	47
C17,18	NO	150P
C21,22	1P	2P
C25,26	18P	15P
R15,16	24	33
R17,18	750	1K
C64,65	470	33
C70,71	6800 50V	6800 56V
C72,73	10000 80V	12000 40V

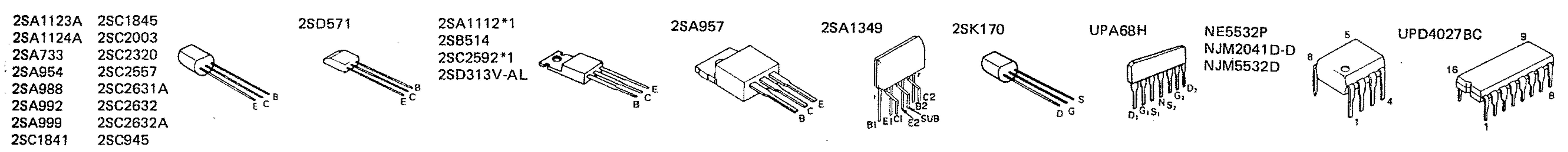
MAIN AMP (X07-2200-11)



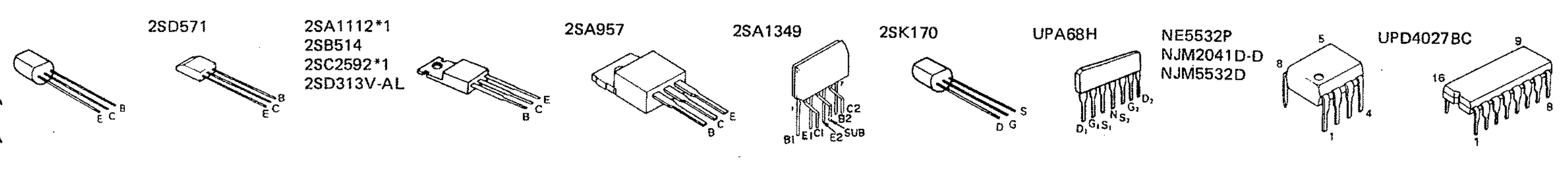
tone unit (X11-1890-01) (B/5)



- (X11-1890-01)
- IC1 : NJM2041D-D
  - IC2 : μPD40278C
  - Q1,2,4,9 : 2SC945(A)(Q,P)
  - Q3,6 : 2SA733(A)(Q,P)
  - Q5,7 : 2SA954(M,L)
  - D1,2 : RD18J (B2,B3)
  - D3,4 : RD13E (B3)
  - D5,6 : IS2076A



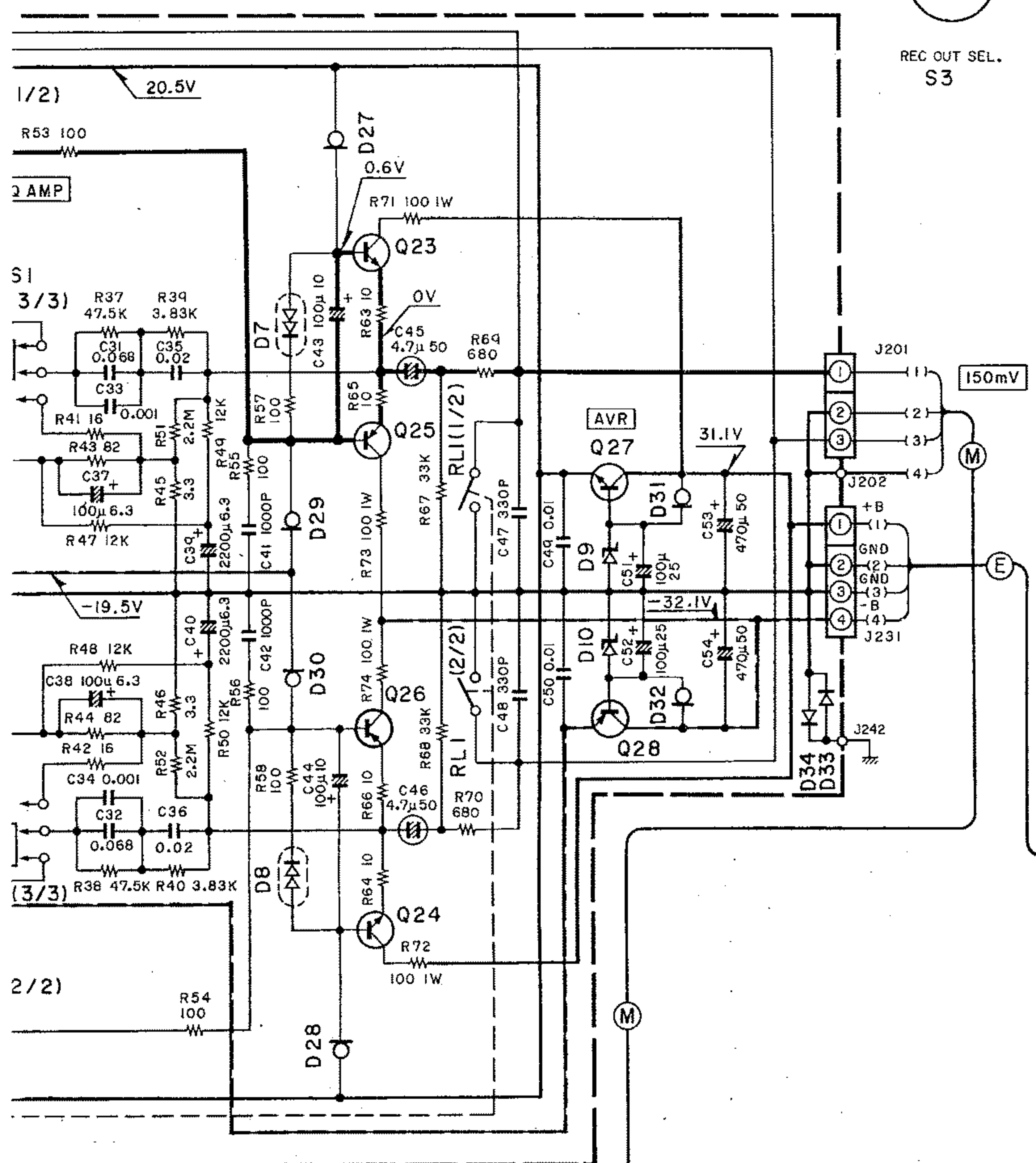
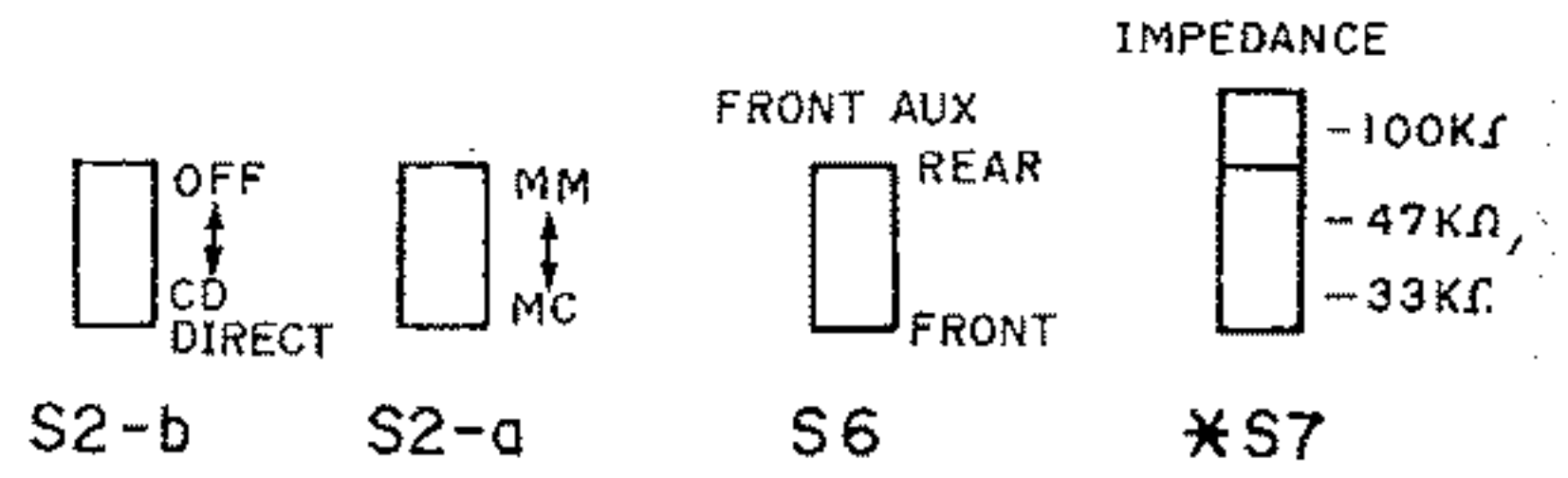
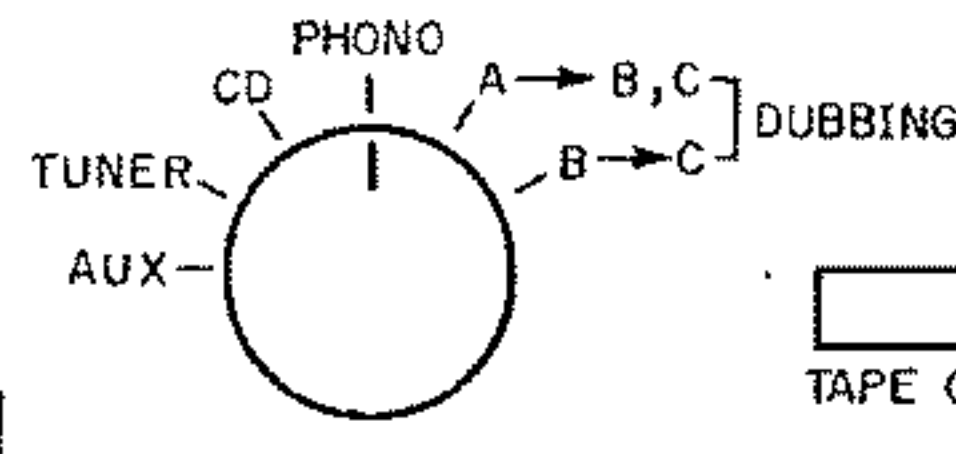
- 2SA1123A
- 2SA1124A
- 2SA733
- 2SA954
- 2SA988
- 2SA992
- 2SA999
- 2SC1841
- 2SC1845
- 2SC2003
- 2SC2320
- 2SC2557
- 2SC2631A
- 2SC2632
- 2SC2632A
- 2SC945







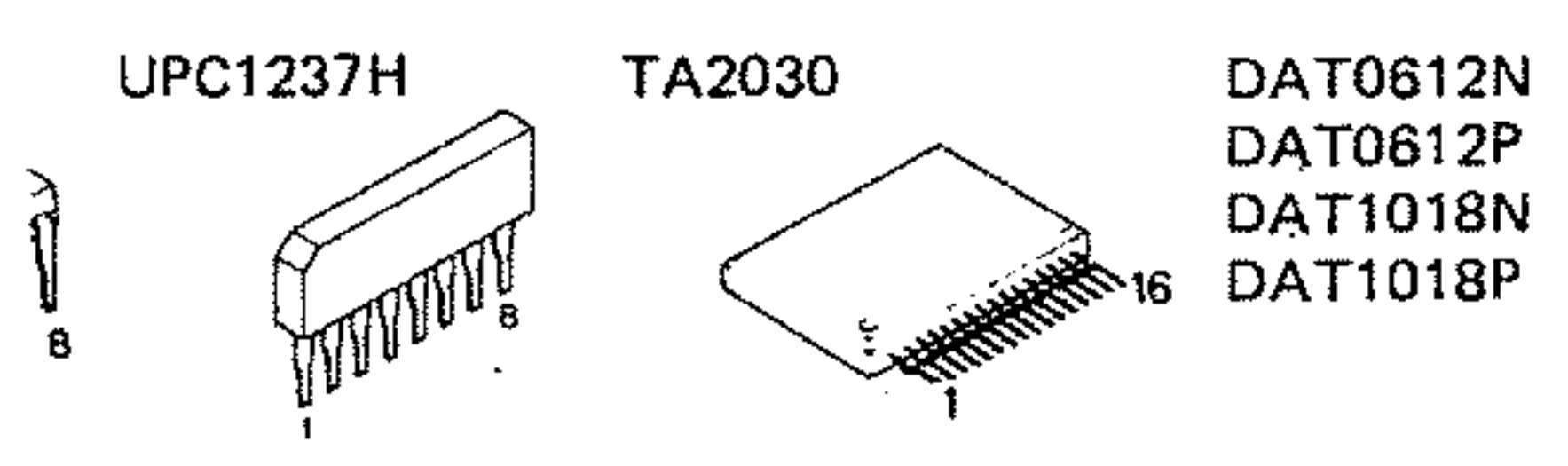
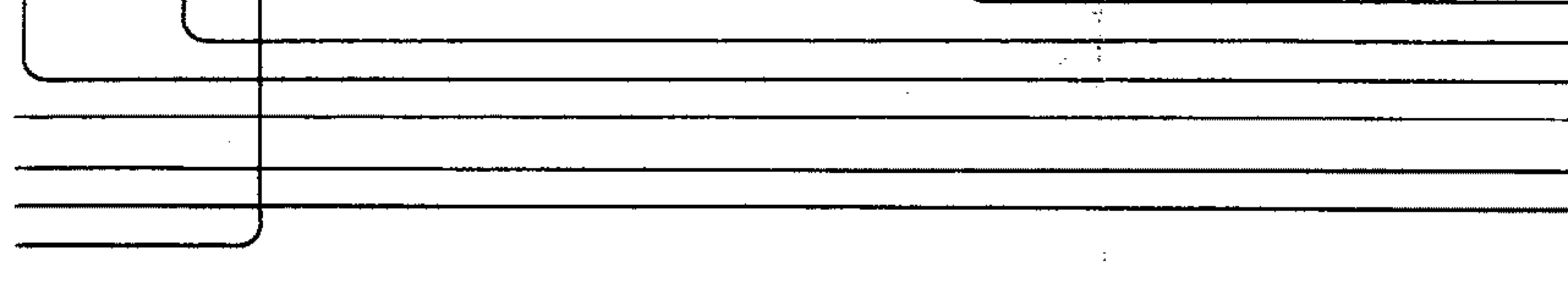
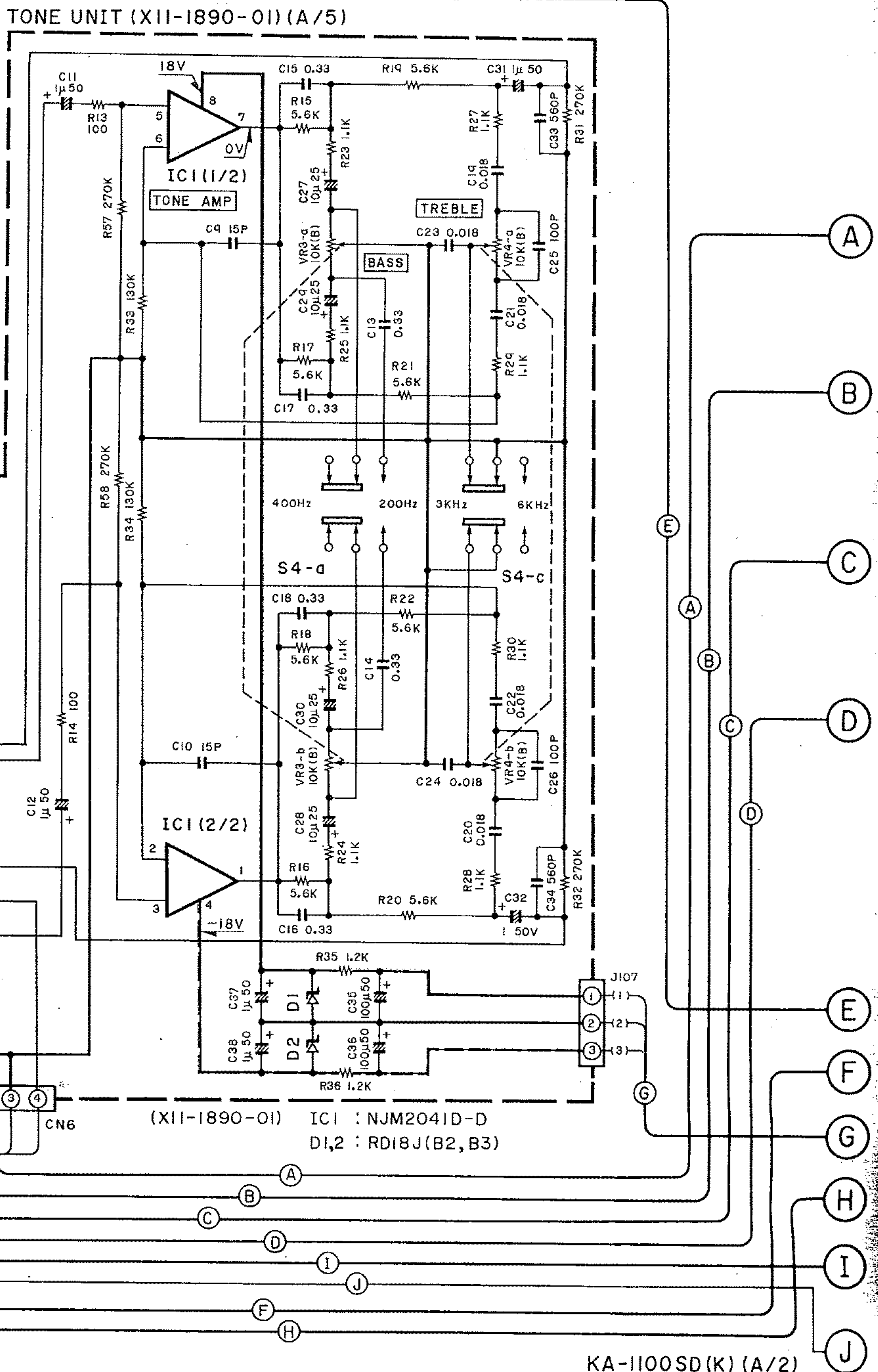
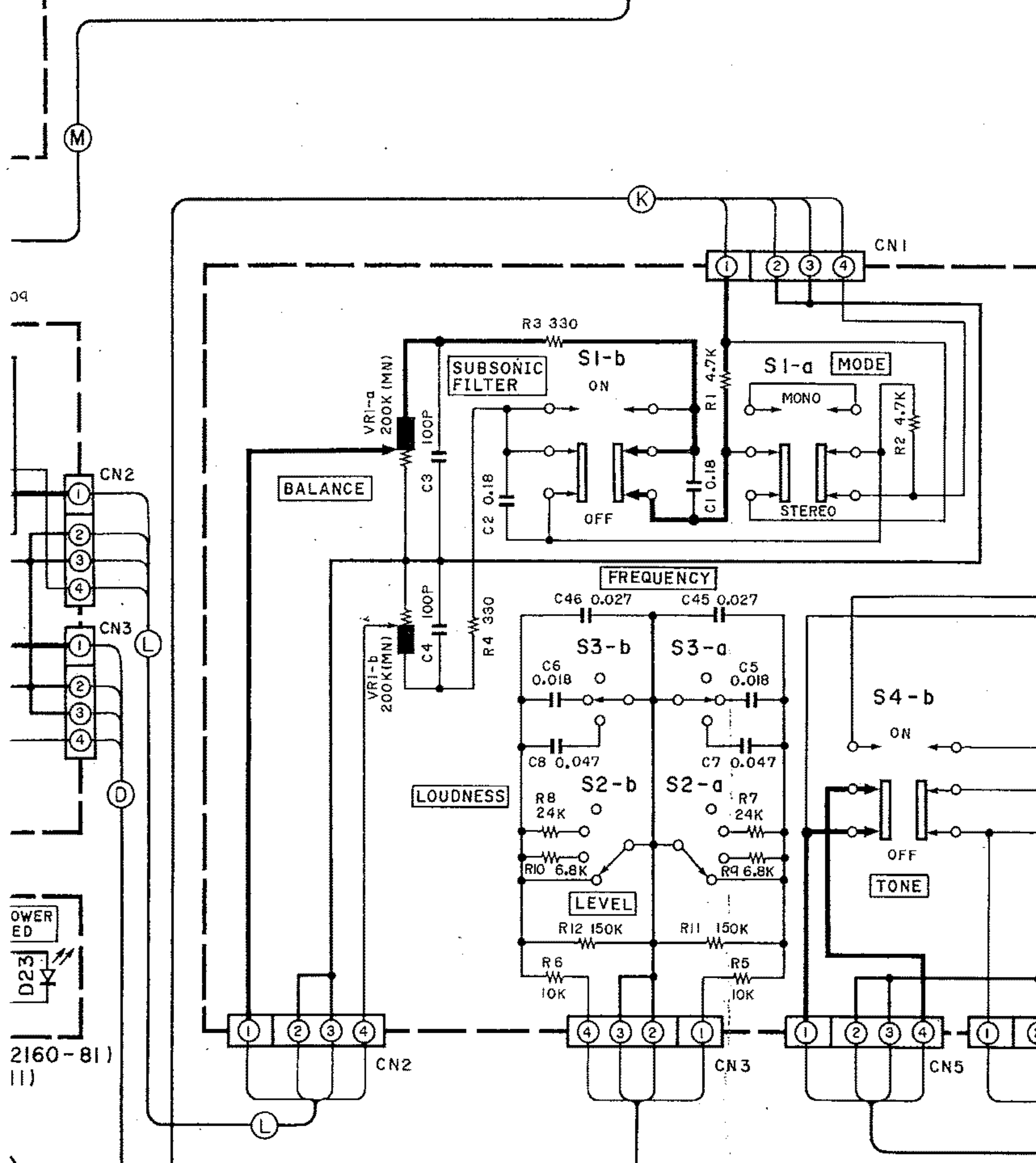




- (X08-2160-81)
- IC1 : NJM5532D or NE5532P
- Q1~4 : 2SK170 (BL,V)
- Q5~12 : 2SC2557 (S,T)
- Q13~18, 31~36, 39~42 : 2SC945 (A)(Q,P)
- Q23, 24 : 2SC2003 (L,K)
- Q25, 26 : 2SA954 (L,K)
- Q27 : 2SD313V-AL
- Q28 : 2SB514 (E,F)
- Q37, 38 : 2SD571 (L,K)
- Q43 : 2SA992 (F,E)
- D1~4, 12, 24 : IS2076 or IS1555
- D5, 6, 11 : RD5.6J (B2)
- D7, 8 : MA27W (A)
- D9, 10 : RD20 (B2)
- D13 : E-152
- D14 : IS2076A
- D15~19 : B30-1012-05
- D20~22 : B30-1010-05
- D23 : B30-0483-05
- D25, 26 : DSM1A1
- D27~32 : E-272
- D33~38 : ISS176

(X08-216)

DESTINATION	K,P,U,M UE	X, E
0-81		2-71
L 1,2	NO	100μ
S7	YES	YES
R1	JUMPER	1.2K
R2, 27, 28	NO	1.2K
R3, 4	100K	100K
R5, 6	47K	47K
R9, 10	100K	100K
R11, 12	390	100
R25, 26	68	120
R29, 30	NO	68
C1~16	NO	120P
C25~28	NO	2200P



• DC voltages are as measured with a high impedance voltmeter with no signal input. Values may vary slightly due to variations between individual instruments or/and units.

**CAUTION:** For continued safety, replace safety critical components only with manufacturer's recommended parts (refer to parts list). ΔIndicates safety critical components. To reduce the risk of electric shock, leakage-current or resistance measurements shall be carried out (exposed parts are acceptably insulated from the supply circuit) before the appliance is returned to the customer.

