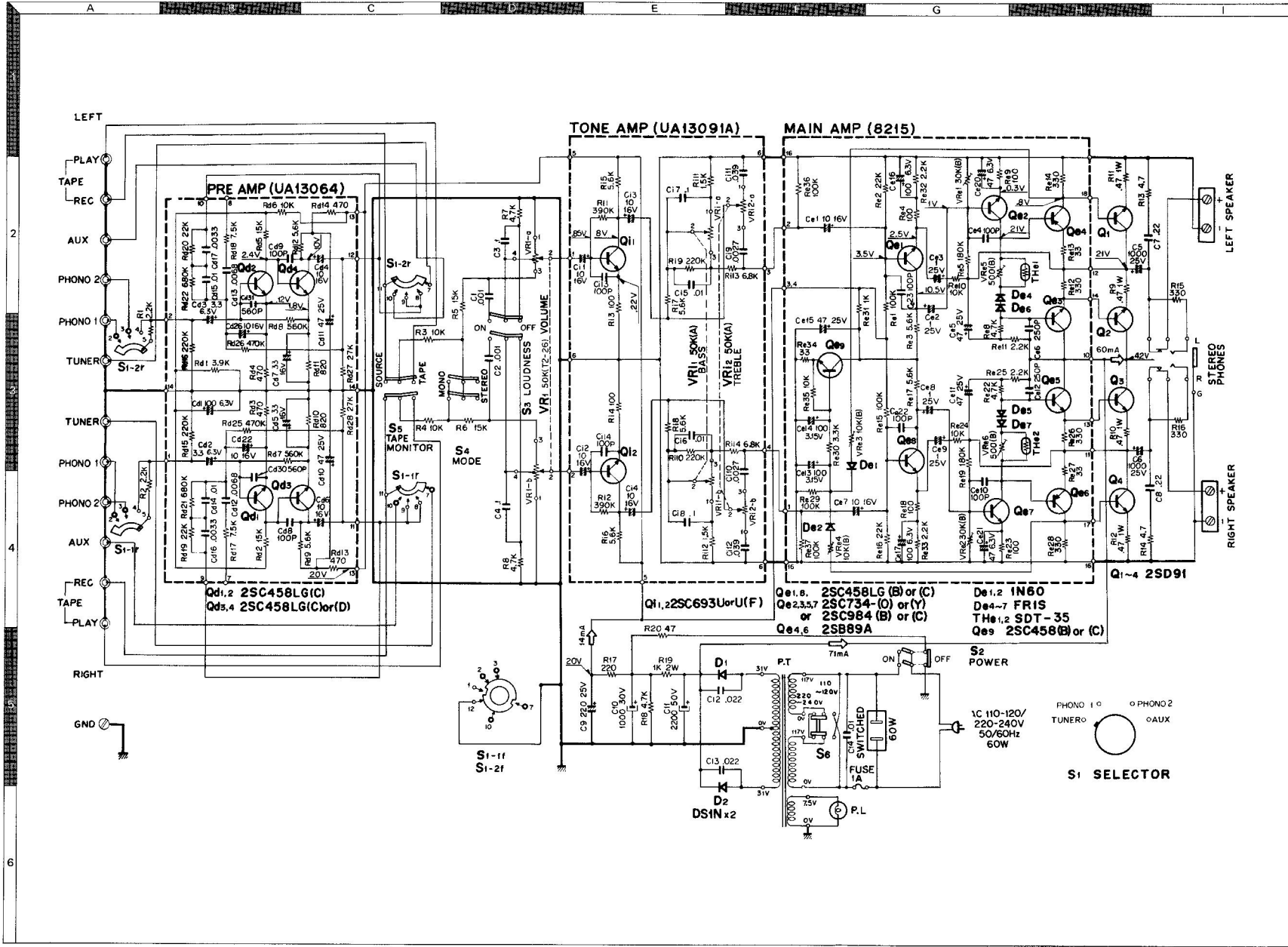


SPECIFICATIONS

- TOTAL MUSIC POWER: 40 watts (IHF Standard 4 ohms)
35 watts (IHF Standard 8 ohms)
- CONTINUOUS POWER: 13 watts per channel (0.5% T.H.D.)
- IM DISTORTION: 0.5% (-3 dB of rated power)
- FREQUENCY RESPONSE: 20 Hz - 50,000 Hz (±1dB)
- POWER BANDWIDTH: 20 Hz - 60,000 Hz (-3 dB)
- SIGNAL TO NOISE RATIO: Phono -65 dB, Aux -75 dB (below rated output)
- INPUT SENSITIVITY: Phono 2.1 mV, Aux 130 mV, Tape play 130 mV.
- MAXIMUM INPUT SIGNAL: 100 mV P-P (1,000 Hz) (Mag input)
- DAMPING FACTOR: 40 (at 16 ohms), 20 (at 8 ohms)
- BASS CONTROL: ±11 dB (at 100 Hz)
- TREBLE CONTROL: ±11 dB (at 10,000 Hz)
- LOUDNESS CONTROL: +9 dB (at 100 Hz), +3 dB (at 10,000 Hz)
- SPEAKER IMPEDANCE: 4 to 16 ohms
- POWER CONSUMPTION: AC 220 - 240 V 50/60 Hz 60 watts at full power
- DIMENSION: W 260 (10 1/4") x H 105 (4 1/4") x D 237 (9 3/8") millimeters
- WEIGHT: 16 lbs.



- Qd1,2 2SC458LG(C)
- Qd3,4 2SC458LG(C)or(D)
- Q1,2 2SC693UorU(F)
- Qe1,8 2SC458LG (B) or (C)
- Qe2,3,5,7 2SC734-(C) or (Y) or 2SC984 (B) or (C)
- Qe4,6 2SB89A
- De1,2 IN60
- De4-7 FR15
- The1,2 SDT-35
- Qes 2SC458(B) or (C)

