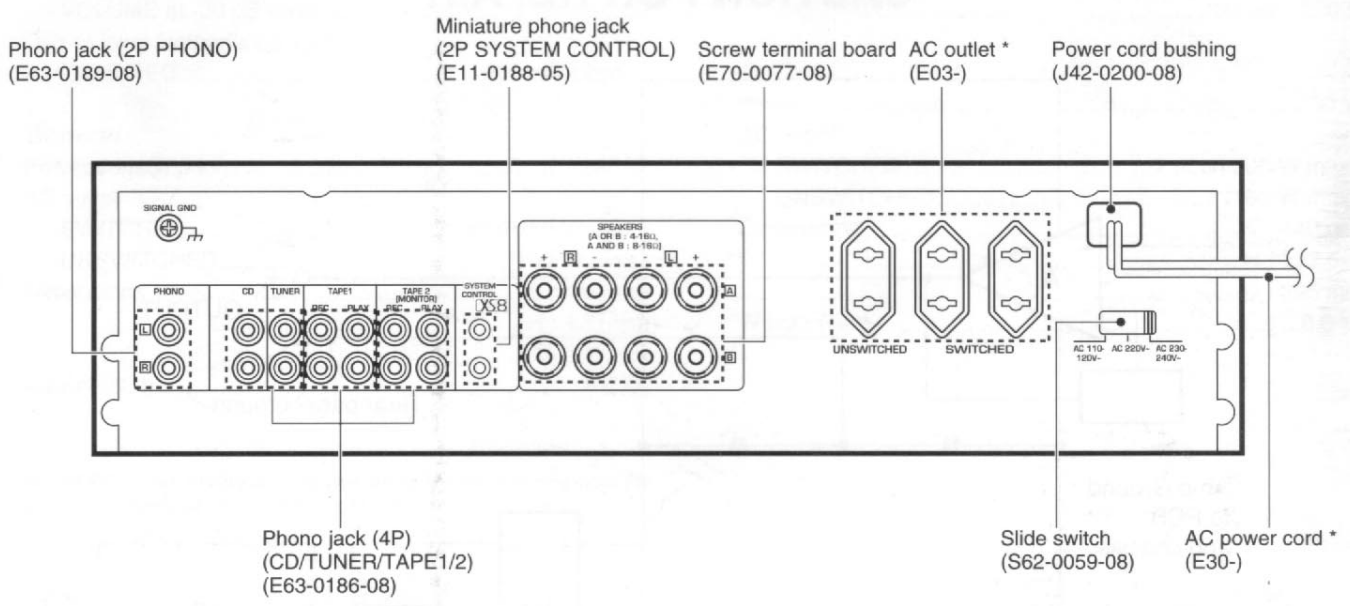
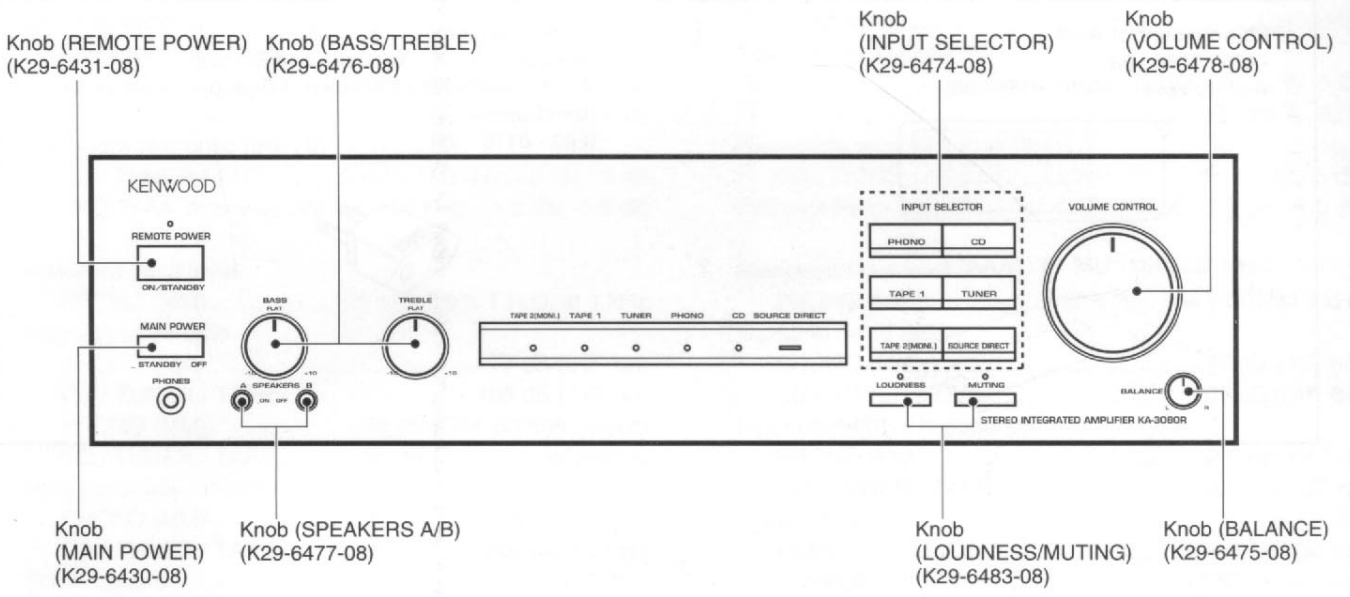


STEREO INTEGRATED AMPLIFIER
KA-3080R
 SERVICE MANUAL

KENWOOD

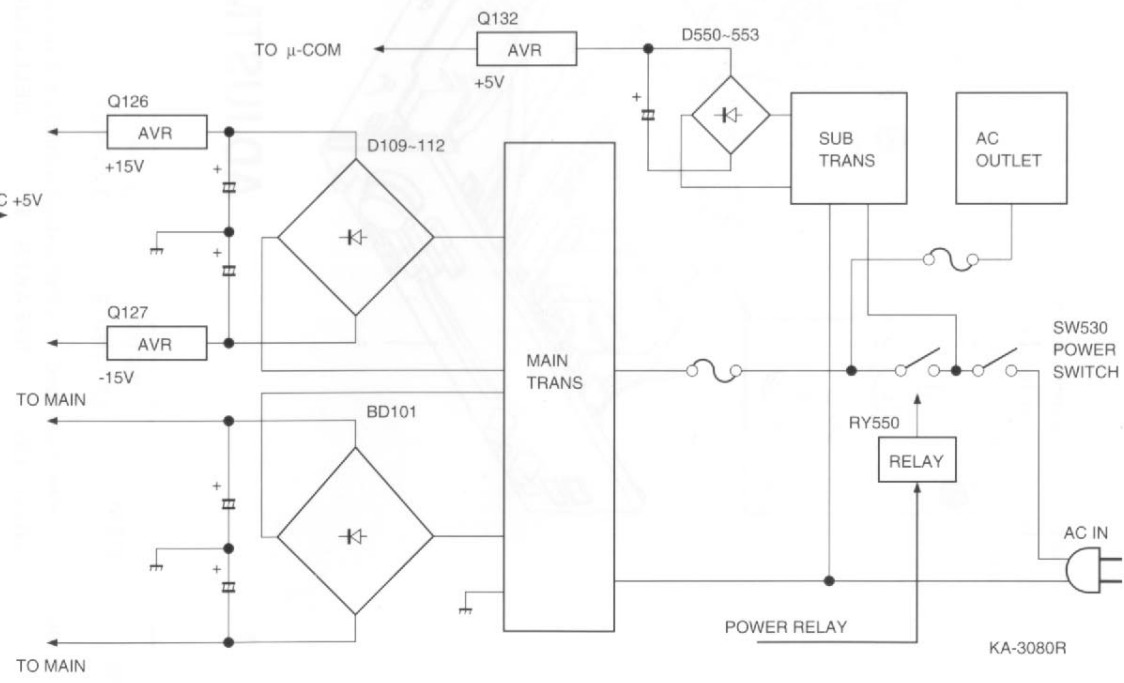
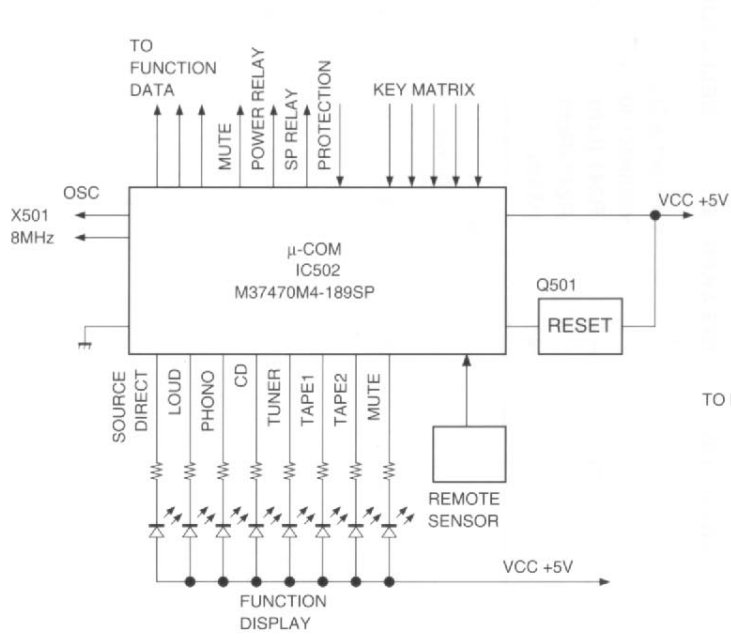
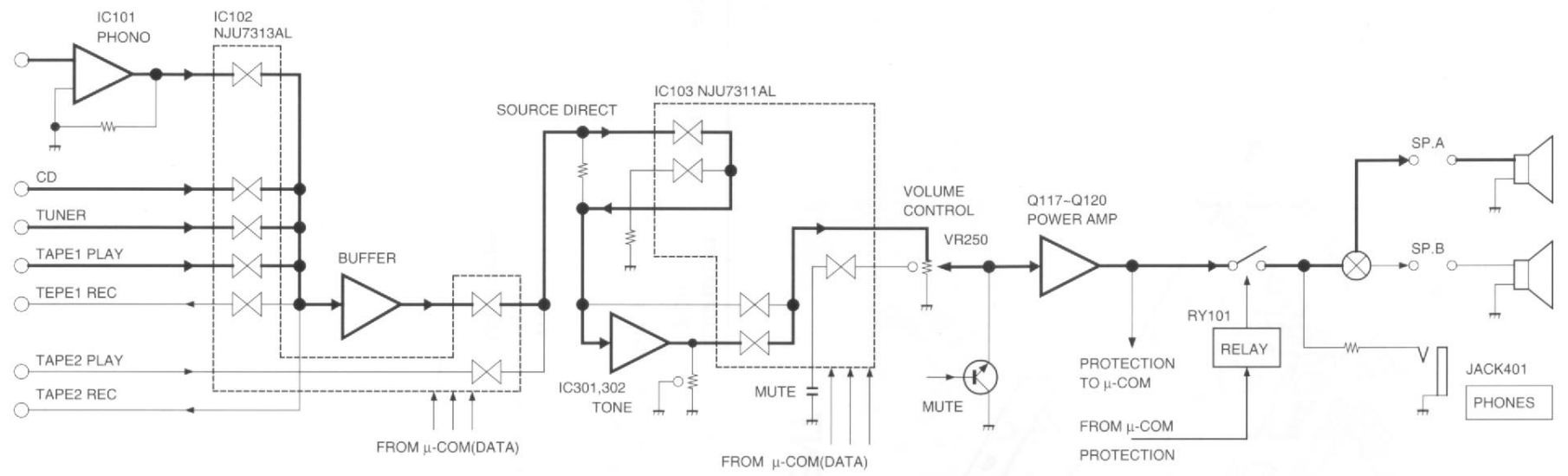
© 1996-4/B51-5145-00 (K/K) 2402



* Refer to parts list on page 16.

Caution: No connection of ground line if disassemble the unit.
 Please connect the ground line on rear panel, PCBs, Chassis and some others.

BLOCK DIAGRAM



A

B

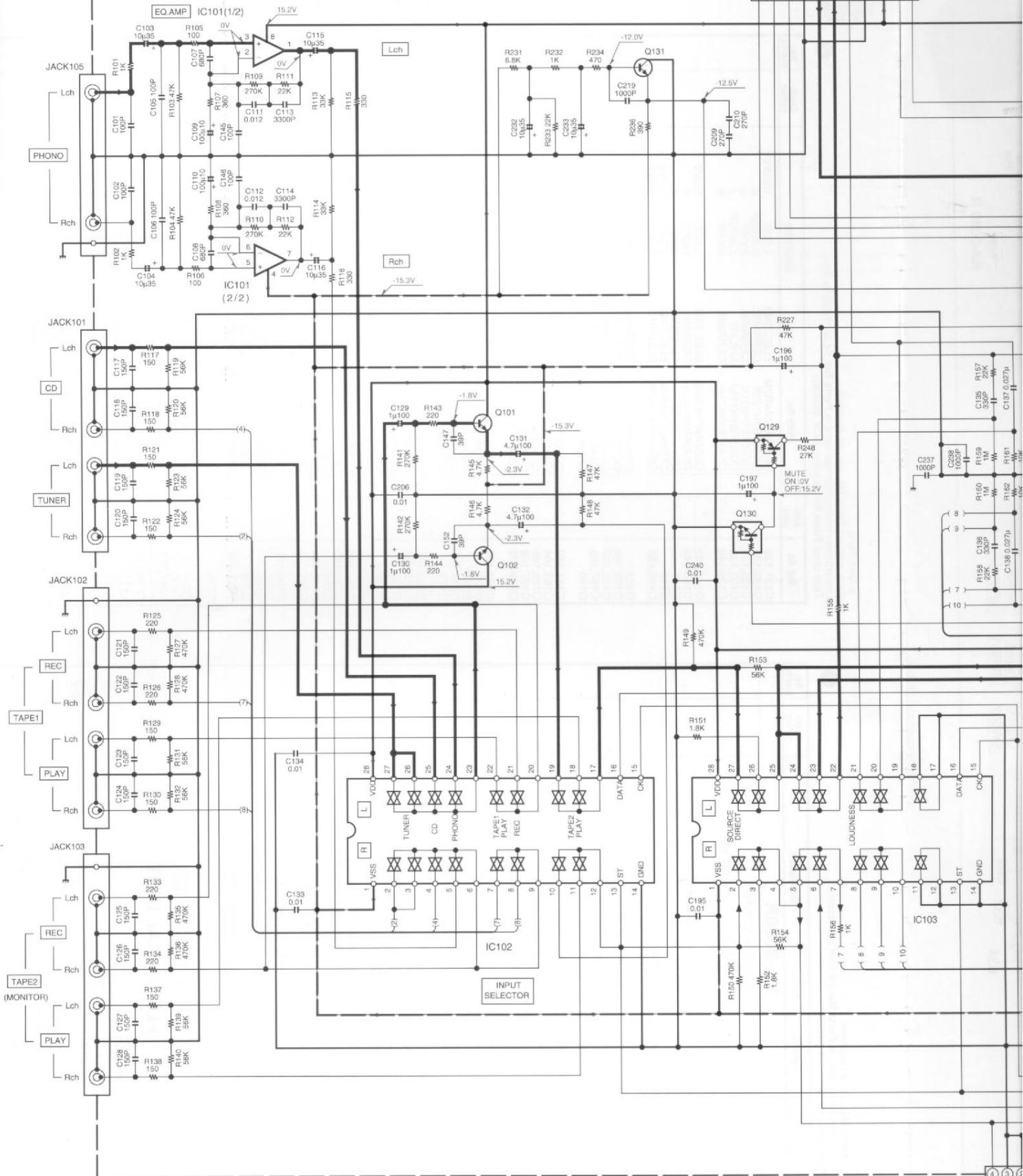
C

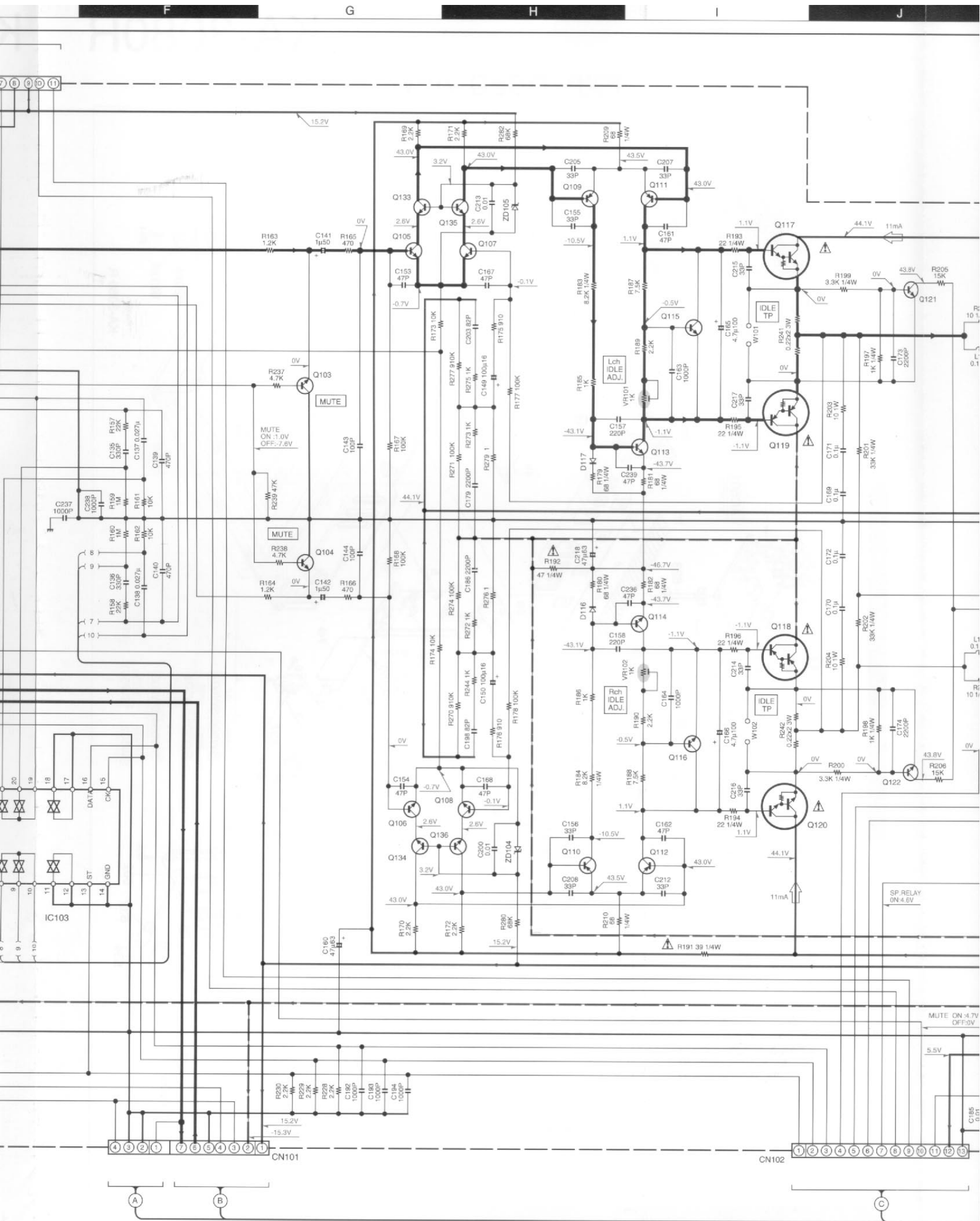
D

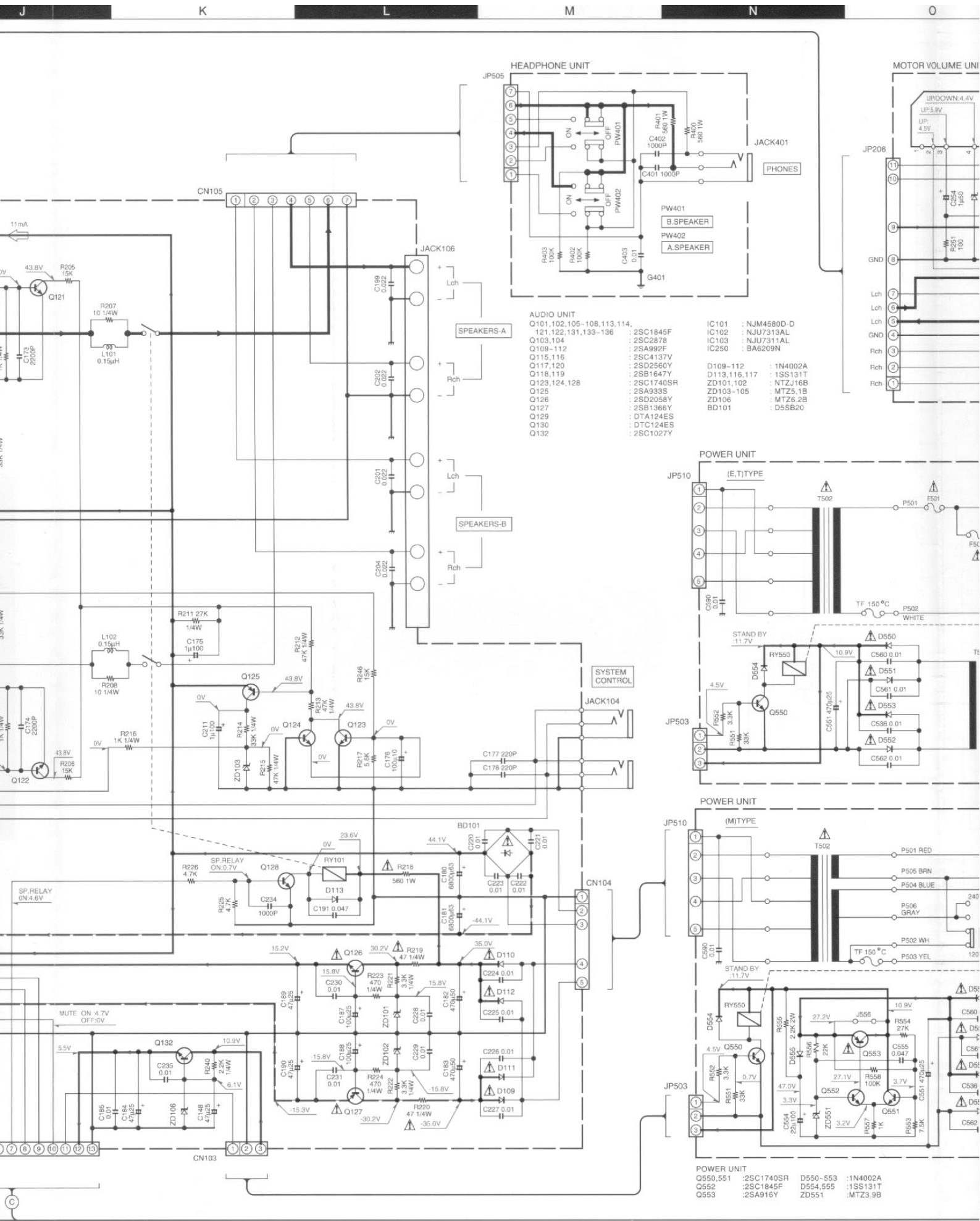
E

AUDIO UNIT

CN106







- AUDIO UNIT**
- Q101, 102, 105-108, 113, 114, 121, 122, 131, 133-136
 - Q103, 104
 - Q109-112
 - Q115, 116
 - Q117, 120
 - Q118, 119
 - Q123, 124, 128
 - Q125
 - Q126
 - Q127
 - Q129
 - Q130
 - Q132

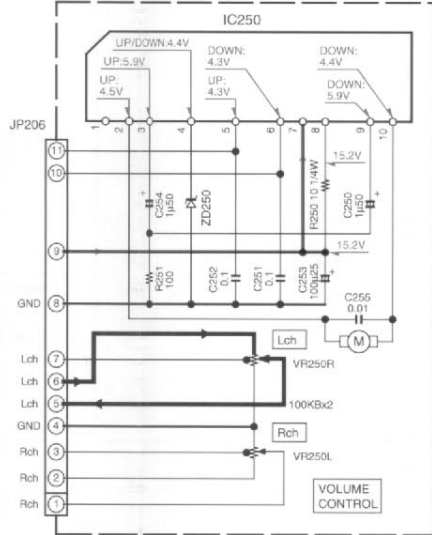
- :2SC1845F
- :2SC2878
- :2SA992F
- :2SC4137V
- :2SD2560Y
- :2SB1647Y
- :2SC1740SR
- :2SA933S
- :2SD2058Y
- :2SB1366Y
- :DTA124ES
- :DTC124ES
- :2SC1027Y

- IC101 : NJM4580D
- IC102 : NJU7313AL
- IC103 : NJU7311AL
- IC250 : BA6209N

- D109-112 : 1N4002A
- D113, 116, 117 : 1SS131T
- ZD101, 102 : NTZJ16B
- ZD103-105 : MTZ5.1B
- ZD106 : MTZ5.2B
- BD101 : D5SB20

- POWER UNIT**
- Q550, 551 : 2SC1740SR
 - Q552 : 2SC1845F
 - Q553 : 2SA916Y
 - D550-553 : 1N4002A
 - D554, 555 : 1SS131T
 - ZD551 : MTZ3.9B

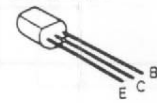
MOTOR VOLUME UNIT



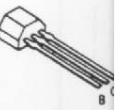
CAUTION: For continued safety, replace safety or components only with manufacturer's recommended (refer to parts list). Δ indicates safety critical component. For continued protection against risk of fire, replace with same type and rating fuse(s). To reduce the risk of electric shock, leakage-current or resistance measurements shall be carried out (exposed parts are acceptably insulated from the supply circuit) before the appliance is returned to the customer.

The DC voltage is an actual reading measured with an impedance type voltmeter with no signal input. measurement value may vary depending on the measuring instruments used or on the product.

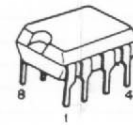
2SC2878



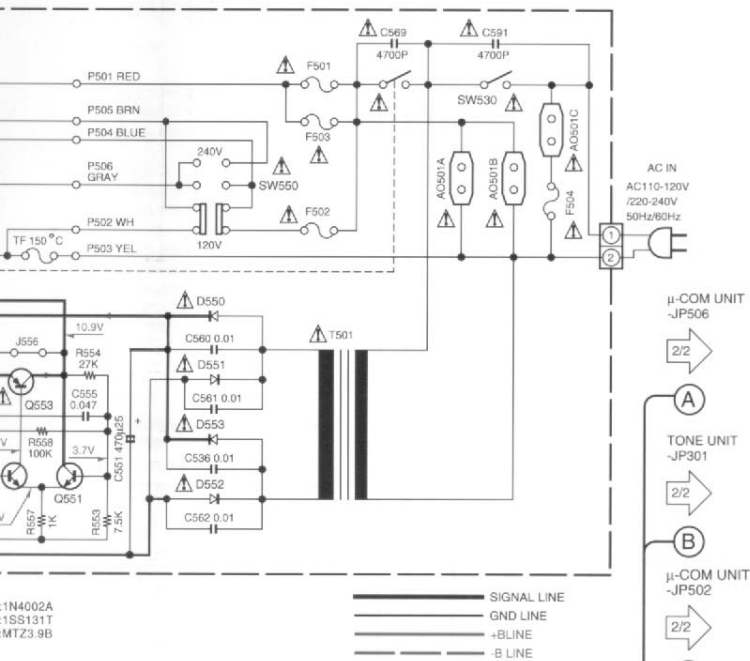
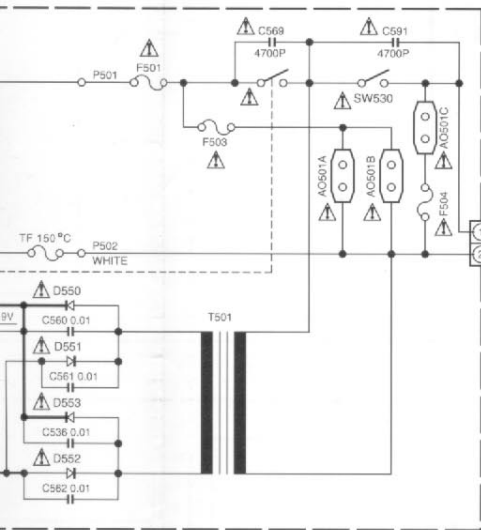
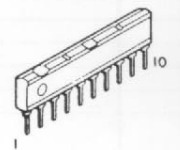
DTA114ES
DTA124ES
DTC114TS
DTC124ES
2SA933S
2SC1740SR



NJM4580D-D



BA6209N



1N4002A
1SS131T
1MT23.9B

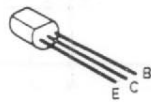


KA-3080R(M) (1/2)

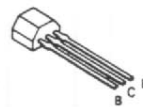
CAUTION: For continued safety, replace safety critical components only with manufacturer's recommended parts (refer to parts list). Δ indicates safety critical components. For continued protection against risk of fire, replace only with same type and rating fuse(s). To reduce the risk of electric shock, leakage-current or resistance measurements shall be carried out (exposed parts are acceptably insulated from the supply circuit) before the appliance is returned to the customer.

The DC voltage is an actual reading measured with a high impedance type voltmeter with no signal input. The measurement value may vary depending on the measuring instruments used or on the product.

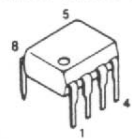
2SC2878



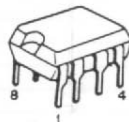
DTA114ES
DTA124ES
DTC114TS
DTC124ES
2SA933S
2SC1740SR



NJM4565D-D



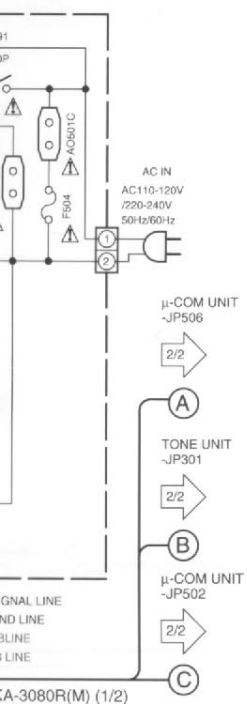
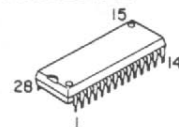
NJM4580D-D



BA6209N



NJU7311AL
NJU7313AL



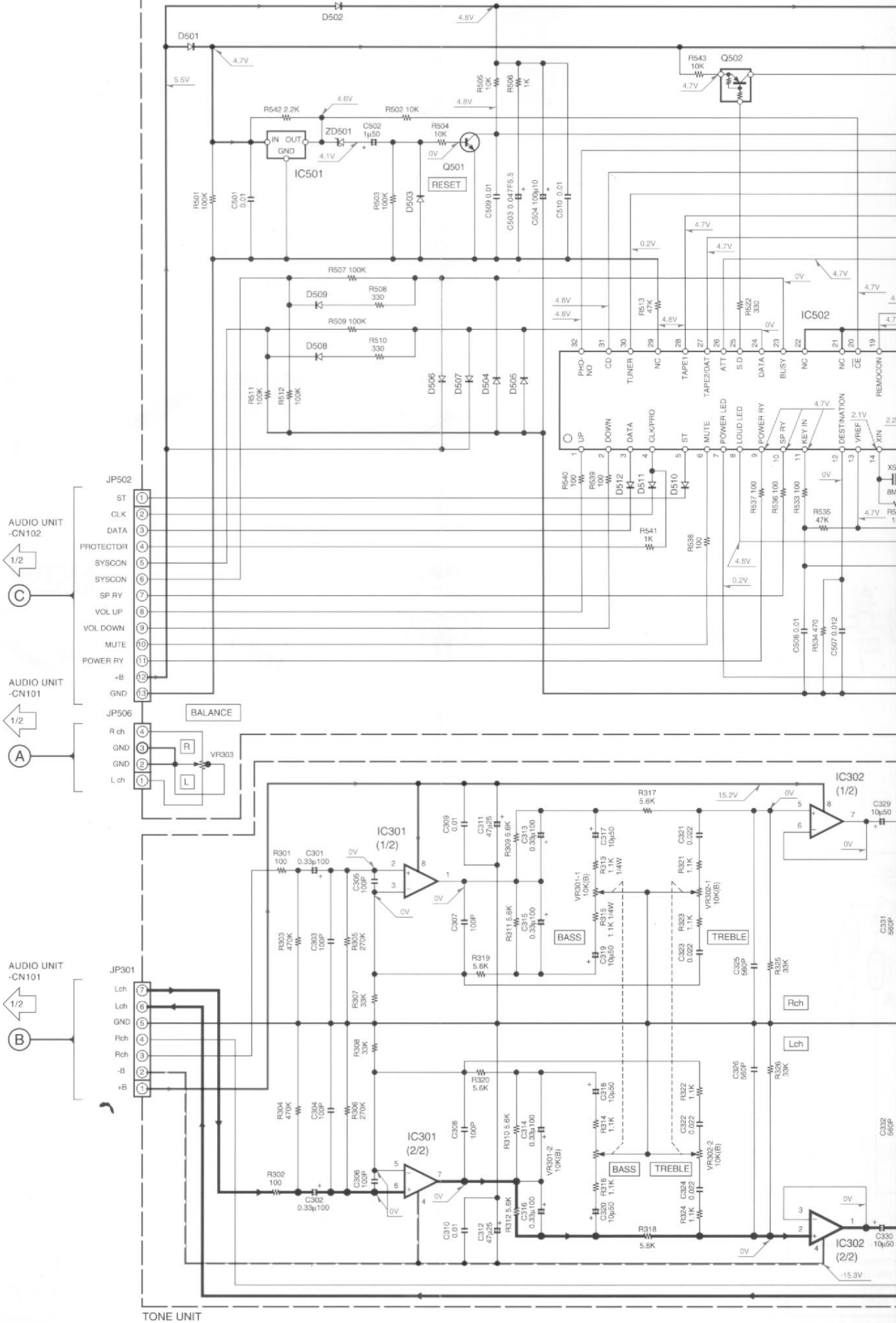
KA-3080R(M) (1/2)

Y08-5452-70

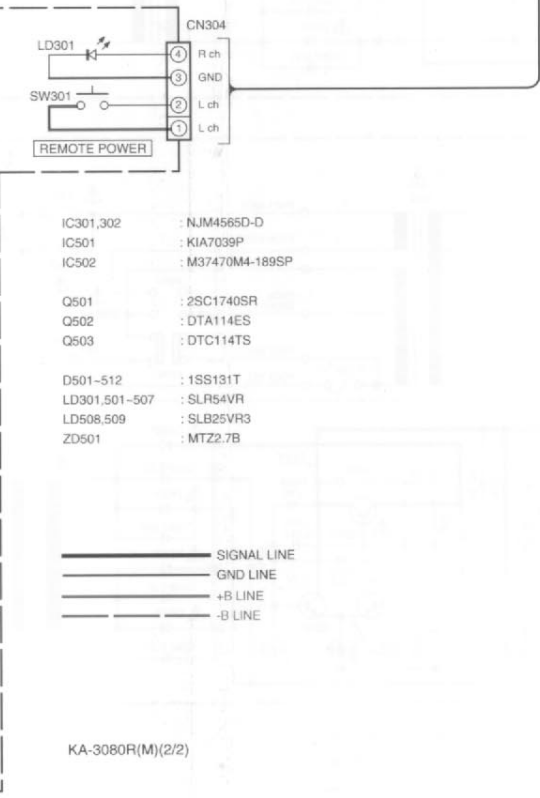
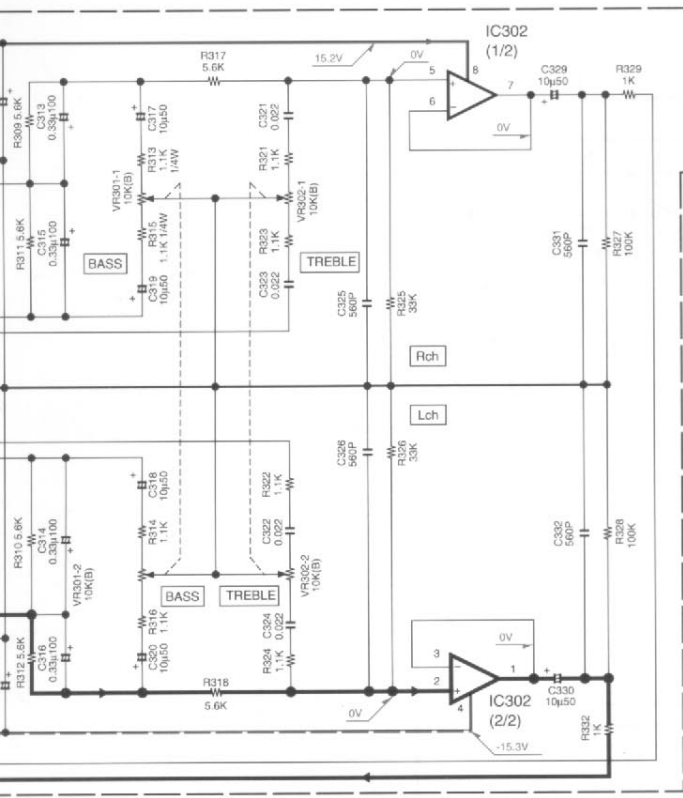
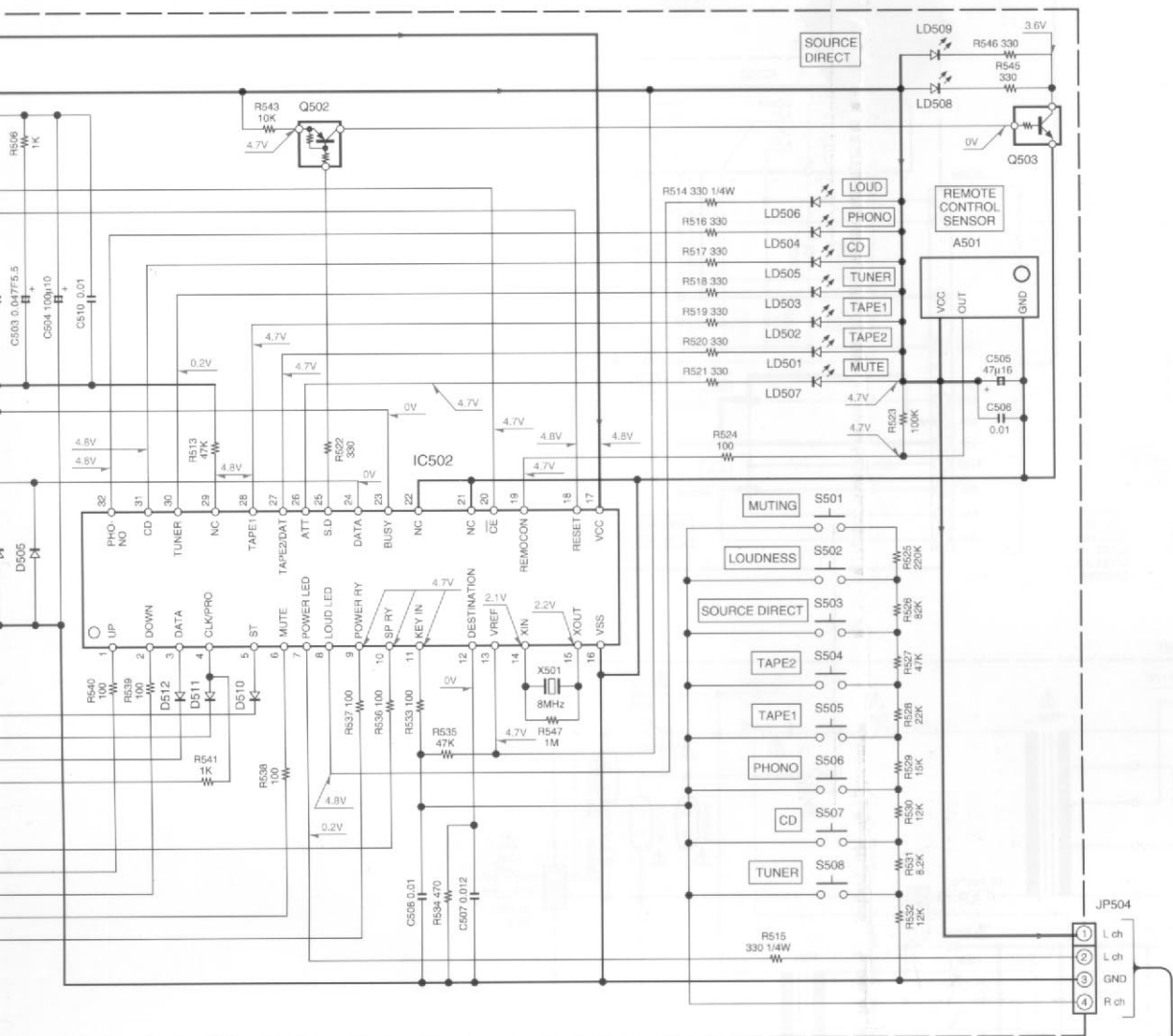
KA-3080R

KENWOOD

μ-COM UNIT



TONE UNIT



KA-3080R(M)(2/2)