

(X09-2050-10)

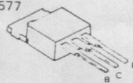
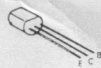
[C12]	[C15]	[CP-22]	[C3,32]	[C4,5,46]	[C47-48]	[J4,7]	[CP1,60]	[C68-F2]	[L1,2]	[J1]
-10	100P	100P	-	100/50	054	-	○	○	○	○
-81	100P	100P	-	100/55	054	-	○	○	○	○
-71	220P	3200P	560P	100/35	12	12	-	22P	4700P	○
-72	220P	2200P	560P	100/35	12	12	-	22P	4700P	○

CAUTION: For continued safety, components only with manufacturer's parts list. ΔIndicates safety reduce the risk of electric shock, le

2SA992  
2SA1284  
2SC1845  
SC3244

2SA1102  
2SC2577

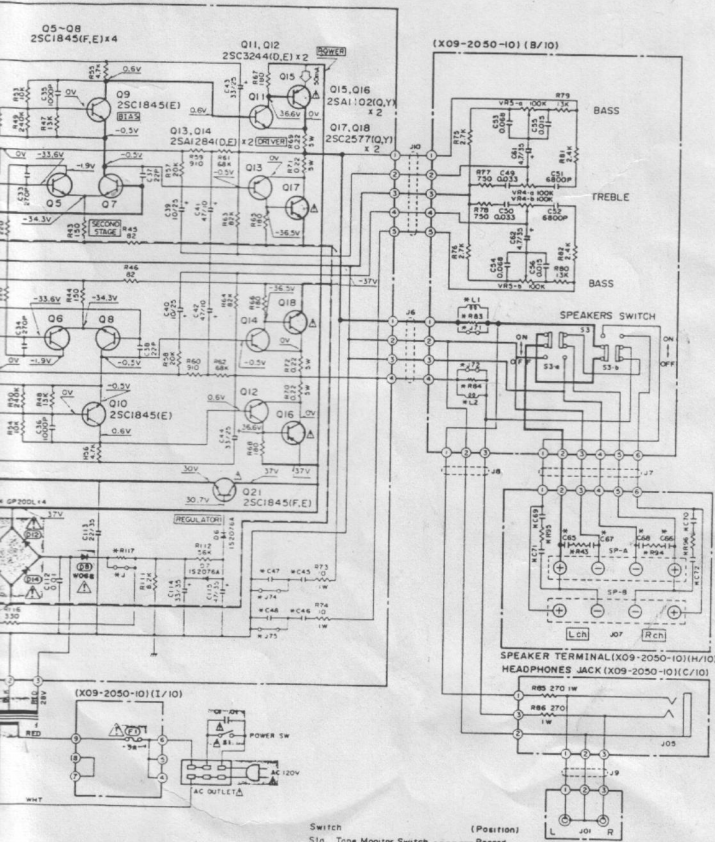
LA64585S



# INTEGRATED AMPLIFIER

# KA-32/1

E F G H



Switch	(Position)
S1a	Tape Monitor Switch ----- Record
S1c	Aux Switch ----- OFF
S1c	Tuner Switch ----- OFF
S1d	Phone Switch ----- ON
S2	Loudness Switch ----- ON
S3a	Speaker A Switch ----- ON
S3b	Speaker B Switch ----- OFF
S1	Power Switch ----- OFF

KA - 32 (K)

## SPECIFICATIONS

### Audio Section

Power Output  
**35 watts\*** per channel minimum RMS, bc channels driven, at 8 ohms from 20 Hz 20,000 Hz with no more than 0.09% total harmonic distortion.

Both Channels Driven ..... 40 W + 40 W 8Ω at 1,000 Hz

Dynamic Power Output at 50 W + 50 W 4Ω at 1,000 Hz

at 4 ohms ..... 190 W

Total Harmonic Distortion

CDIAUX input to SPEAKER output

(20 Hz to 20,000 Hz) ..... 0.09% at rated power

into 8 ohms

(20 Hz to 20,000 Hz) ..... 0.04% at 1/2 rated power

into 8 ohms

(1 kHz) ..... 0.03% at 1/2 rated power into 8Ω

PHONO input to SPEAKER output (1 kHz) ..... 0.04% at rated power with

VOLUME - 20 dB

Intermodulation Distortion ..... 0.02% at rated power

into 8 ohms

Damping Factor ..... 20 (1 kHz into 8 ohms)

Power Bandwidth ..... 10 Hz to 75 kHz

Frequency Response ..... at 0.2% T.H.D.

+0 dB, -3 dB

Speaker Impedance ..... 8Ω to 16Ω

Input Sensitivity/Impedance

Phono ..... 2.5 mV/47 k ohms

Tuner, Tape, CDIAUX ..... 150 mV/27 k ohms

Signal-to-Noise Ratio (S/N, A)

Phono ..... 73 dB for 2.5 mV input

79 dB for 5.0 mV input

Tuner, Tape, CDIAUX ..... 100 dB for 150 mV input

Phono Maximum Input Level ..... 150 mV (RMS)

Output Level/Impedance

Tape REC (Pin) ..... 0.05% at 1,000 Hz

Phono Frequency Response ..... IIA standard curve ±0.5 dB

100 Hz to 20,000 Hz

Tone Control

Bass ..... ±9 dB at 100 Hz

Treble ..... ±9 dB at 10 kHz

Loudness Control ..... ±9 dB at 100 Hz

(at -30 dB VOLUME Level)

General

Power Requirements ..... 120 V, 60 Hz U.S.A. & Canada

models; 240 V, 50 Hz (U.K. model)

or 110 - 120 V/220 - 240 V

50/60 Hz, switchable (Other countries)

Power Consumption ..... 120 W U.S.A. & Canada

models;

280 W (European model)

250 W (U.K. model)

250 W (Australia model)

80 W (Other countries)

AC Outlet ..... Switched 2 (100 W)

Unswitched 1 (200 W)

Dimensions

W 420 mm (16-1/2")

H 88 mm (3-1/2")

D 279 mm (10-31/32")

Weight ..... 4.9 kg (10.8 lb)

\* Measured pursuant to Federal Trade Commission's Trade Regulation rule on Power Output Claims for Amplifier in U.S.A.

For continued safety, replace safety critical components with manufacturer's recommended parts (refer to manual). A indicates safety critical components. To avoid electric shock, leakage current or resistance

measurements shall be carried out (exposed parts are acceptably insulated from the supply circuit) before the appliance is returned to the customer.

- DC voltages are as measured with a high impedance voltmeter with no signal input. Values may vary slightly due to variations between individual instruments or load units.
- Les tensions c.c. doivent être mesurées avec un voltmètre à haute impédance sans signal d'entrée. Les valeurs peuvent différer légèrement du fait des variations inhérentes aux appareils et aux instruments de mesure individuels.

- Die angegebenen Gleichspannungswerte wurden mit einem hochohmigen Voltmeter ohne Eingangssignal gemessen. Dabei schwanken die Meßwerte aufgrund von Unterschieden zwischen einzelnen Instrumenten oder Geräten u.U. geringfügig.

Kanwood follows a policy of continuous advancements in development. For this reason specifications may be changed without notice.

Kanwood poursuit une politique de progrès constants en ce qui concerne le développement. Pour cette raison, les spécifications sont sujettes à modifications sans préavis.

Kanwood strebt ständige Verbesserungen in der Entwicklung an. Daher werden Änderungen der technischen Daten jederzeit vorbehalten.