

SPECIFICATIONS

| | |
|---|---|
| RMS Power Output Both channel driven | 34 x 2 watts into 8 ohms at 20 Hz — 20,000 Hz 35 x 2 watts into 8 ohms at 1,000 Hz 48 x 2 watts into 4 ohms at 1,000 Hz 40 x 2 watts into 8 ohms at 1,000 Hz |
| Each channel driven | 56 x 2 watts into 4 ohms at 1,000 Hz 95 watts into 8 ohms 145 watts into 4 ohms |
| Dynamic Power Output | 56 x 2 watts into 4 ohms at 1,000 Hz 145 watts into 4 ohms |
| Total Harmonic Distortion | 0.5% at rated power into 8 ohms 0.05% at 1/2 rated power into 8 ohms at 1,000 Hz |
| Inter Modulation Distortion (60 Hz : 7 kHz = 4 : 1) | 0.5% at rated power into 8 ohms 0.08% at 1/2 rated power into 8 ohms |
| Signal to Noise Ratio (Short circuited) | 110 dB |
| Damping Factor | 32 at 8 ohms |
| Speaker Impedance | Accept 4 ohms to 16 ohms |

PRE-AMPLIFIER SECTION

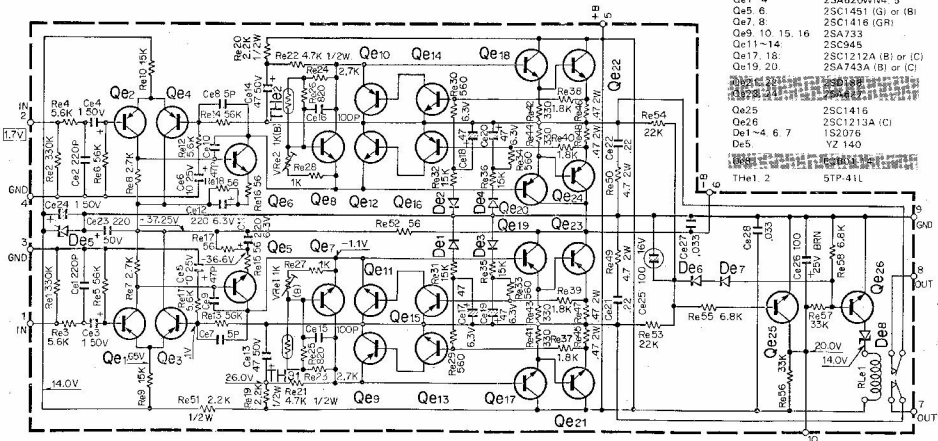
| | | |
|--|--------|---|
| Input Sensitivity and Impedance | | |
| Phono 1 | 2.5mV | 50 K ohms |
| Phono 2 | 2.5mV | 50 K ohms |
| Tuner | 150mV | 50 K ohms |
| AUX | 150mV | 50 K ohms |
| Tape Play A, B, 4 CH IN | 150 mV | 50 K ohms |
| Maximum Input Voltage (rms) | | |
| Phono 1, 2 | 140mV | T.H.D. 0.5% at 1,000 Hz |
| Signal to Noise Ratio (IHF A CURVE) | | |
| Phono 1, 2 | 76 dB | |
| Tuner | 90 dB | |
| AUX | 90 dB | |
| Tape Play A, B, 4 CH IN | 90 dB | |
| Output Voltage and Impedance | | |
| Tape Rec. A, B (Pin) | 150mV | 50 ohms |
| (Din connector) | 40 mV | 70 K ohms |
| 4 CH OUT | 150mV | 50 ohms |
| Frequency Response | | |
| Phono 1, 2 | | RIAA Standard curve ±0.3 dB |
| Tuner, AUX, Tape Play | | 10 Hz-40 kHz ±0.5 dB |
| Tone Controls | | |
| Bass | | ±10 dB at 100 Hz |
| Treble | | ±10 dB at 10,000 Hz |
| Loudness Control (-30 dB) | | +8 dB at 100 Hz +3 dB at 10,000 Hz 6 dB/ oct 6 dB/ oct |

GENERAL

| | |
|--------------------------|--|
| Switches | |
| Speaker Selector | OFF - A, B, A + B |
| Input Selector | Phono 1, 2, Tuner Aux., Stereo - Mono |
| Mode | Muting, Tone Defeat, Low & Hi Filter, Loud. |
| Tape Monitor | A, B, Tape Dubbing A → B → A |
| Others | Phones jack Switched 2, Unswitched 1 140 watts at full power W 17-1/8" (143mm), H 6-3/16" (157mm), D 12" (306mm) |
| Power Consumption | |
| Dimensions | |
| Weight | 24.2 lbs (11.1 kg) |

Main amp units of KR-5400, KR-4400 and KA-4006 are revised for using New DC Voltage Protection Circuit. KR-5400's is revised from (X07-1280-10) to (X07-1350-10), KR-4400's from (X07-1280-11) to (X07-1350-11) and KA-4006's from (X07-1280-12) to (X07-1350-12). Refer to SERVICE BULLETIN NO. SB-059 about circuit description. As to specifications, no amendment is needed.

MAIN AMP (X07-1350-10)



The schematic diagram shown above is KR-5400 main amp unit (X07-1350-10). KR-4400 is modified from (X07-1350-10) to (X07-1350-11) and KA-4006's from (X07-1350-10) to (X07-1350-12). Modification points are marked on the schematic diagram with black screen and showed in the parts list.

PARTS LIST

| Ref. No. | Parts No. | Description | Remarks |
|------------------|-----------------|----------------------------------|----------|
| CAPACITOR | | | |
| Ce1, 2 | CC45SL1H221K | Ceramic 220pF ±10% | |
| Ce3, 4 | CE04W1H010 | Electrolytic 1μF 50WV | |
| Ce5, 8 | CE04W1E100 | Electrolytic 10μF 25WV | |
| Ce7, 8 | CC45SL1H050D | Ceramic 50pF ±0.5pF | |
| Ce9, 10 | CC45SL1H070K | Ceramic 47pF ±10% | |
| Ce11, 12 | CE04W0J221 | Electrolytic 220μF 6.3WV | |
| Ce13, 14 | CE04W1H4070 | Electrolytic 47μF 50WV | |
| Ce15, 16 | CC45SL1H101K | Ceramic 100pF ±10% | |
| Ce17~20 | CE04W0J470 | Electrolytic 47μF 6.3WV | |
| Ce21, 22 | CE03M1H204M | Mylar 0.22μF ±20% | -10, -11 |
| Ce23 | CE04W1H221 | Electrolytic 220μF 50WV | |
| Ce24 | CE04W1H010 | Electrolytic 1μF 50WV | |
| Ce25 | CE04W1C101 (NP) | Non-pole Electrolytic 100μF 10WV | |
| Ce26 | CE04W1E101M BR | Electrolytic 100μF 25WV | |
| Ce27 | CE03M1H333M | Mylar 0.033μF ±20% | -10, -11 |
| Ce28 | CE03M1H333M | Mylar 0.033μF ±20% | -12 |
| RESISTOR | | | |
| Re1, 2 | PD14CY2E334J | Carbon 330kΩ ±5% 1/4W | -10, -11 |
| Re3, 4 | PD14CY2E222J | Carbon 2.2kΩ ±5% 1/4W | -12 |
| Re5 | PD14CY2E583J | Carbon 58kΩ ±5% 1/4W | |
| Re6 | PD14CY2E272J | Carbon 2.7kΩ ±5% 1/4W | |
| Re7 | PD14CY2E153J | Carbon 15kΩ ±5% 1/4W | |
| Re8 | PD14BY2E153J | Carbon 15kΩ ±5% 1/4W | |
| Re9 | PD14CY2E583J | Carbon 58kΩ ±5% 1/4W | |
| Re10 | PD14BY2E153J | Carbon 15kΩ ±5% 1/4W | |
| Re11, 12 | PD14CY2E582J | Carbon 5.8kΩ ±5% 1/4W | |
| Re13 | PD14BY2E582J | Carbon 5.8kΩ ±5% 1/4W | |
| Re14 | PD14CY2E583J | Carbon 58kΩ ±5% 1/4W | |
| Re15~18 | PD14CY2E680J | Carbon 560 ±5% 1/4W | |
| Re19, 20 | RC05GF2H222K | Carbon 2.2kΩ ±10% 1/2W | |
| Re21, 22 | RC05GF2H472K | Carbon 4.7kΩ ±10% 1/2W | |
| Re23, 24 | PD14CY2E272J | Carbon 2.7kΩ ±5% 1/4W | |
| Re25, 26 | PD14BY2E153J | Carbon 15kΩ ±5% 1/4W | |
| Re27 | PD14CY2E102J | Carbon 820 ±5% 1/4W | |
| Re28 | PD14BY2E102J | Carbon 1kΩ ±5% 1/4W | |
| Re29, 30 | PD14CY2E581J | Carbon 580 ±5% 1/4W | -10, -12 |
| Re31 | PD14CY2E681J | Carbon 680 ±5% 1/4W | -11 |
| Re32 | PD14BY2E153J | Carbon 15kΩ ±5% 1/4W | |
| Re33, 34 | PD14BY2E681J | Carbon 560 ±5% 1/4W | -10, -12 |
| Re35, 36 | PD14BY2E681J | Carbon 680 ±5% 1/4W | -11 |
| Re37~40 | PD14CY2E153J | Carbon 15kΩ ±5% 1/4W | |

| Ref. No. | Parts No. | Description | Remarks |
|----------------------|-----------------|----------------------------------|----------|
| RESISTOR | | | |
| Re41~44 | PD14BY2E331J-B | Carbon 330Ω ±5% 1/4W | |
| Re45~48 | RN14AB3 DR47K-B | Metal film 0.47kΩ ±10% 2W | |
| Re49, 50 | RN14AB3 DR47K-B | Metal film 0.47kΩ ±10% 2W | |
| Re51 | RC05GF2H222K | Carbon 2.2kΩ ±10% 1/2W | |
| Re52 | PD14BY2E680J-B | Carbon 68kΩ ±5% 1/4W | |
| Re53, 54 | PD14BY2E221J | Carbon 22kΩ ±5% 1/4W | |
| Re55 | PD14CY2E682J | Carbon 6.8kΩ ±5% 1/4W | |
| Re56, 57 | PD14CY2E333J | Carbon 33kΩ ±5% 1/4W | |
| Re58 | PD14CY2E682J | Carbon 6.8kΩ ±5% 1/4W | |
| SEMICONDUCTOR | | | |
| Qe1~4 | V01-0127-05 | Transistor 2SA620W/4 or 5 | |
| Qe5, 6 | V03-0380-05 | Transistor 2SC1451 (G) or (B) | |
| Qe7, 8 | V03-0388-05 | Transistor 2SC1416 (GR) | |
| Qe9, 10 | V01-0084-05 | Transistor 2SA733 | |
| Qe11~14 | V03-0270-05 | Transistor 2SC945 | |
| Qe15, 16 | V01-0084-05 | Transistor 2SA733 | |
| Qe17, 18 | V03-0235-05 | Transistor 2SC1212A (B) or (C) | |
| Qe19, 20 | V01-0119-05 | Transistor 2SA743A (B) or (C) | |
| Qe21, 22 | V04-0037-05 | Transistor 2SD188 | -10, -12 |
| Qe23, 24 | V03-0321-05 | Transistor 2SC1444 | -11 |
| Qe25 | V01-0082-05 | Transistor 2SA627 | -10, -12 |
| Qe26 | V01-0098-05 | Transistor 2SA784 | -11 |
| Qe26 | V03-0235-05 | Transistor 2SC1212A (C) | |
| De1~4 | V11-0273-05 | Diode 1S2076 | |
| De5 | V11-0254-05 | Diode EQB01-08 | -10 |
| De6, 7 | V11-0273-05 | Diode 1S2076 | |
| De8 | V11-0354-05 | Diode EQB01-14 | -10 |
| Thel. 2 | V22-0027-05 | Diode EQB01-11 | -12 |
| MISCELLANEOUS | | | |
| VRe1, 2 | R12-1012-05 | PC trimmer potentiometer 1kΩ (B) | |
| Re1 | S51-4028-05 | Relay | |
| - | EQ0-0209-05 | Transistor socket ×4 | |
| - | F01-0107-23 | Relay | |
| - | F20-0066-05 | Mica plate ×4 | |

