

*05~8, R11, 12, 17 and 18 are mounted only on X09-1390-11 PCB ass'y instead of J3~6.

2SA733 2SC945
2SA872 2SC1775
2SA954 2SC2003
2SA999 2SC2320

2SA794 2SC1567

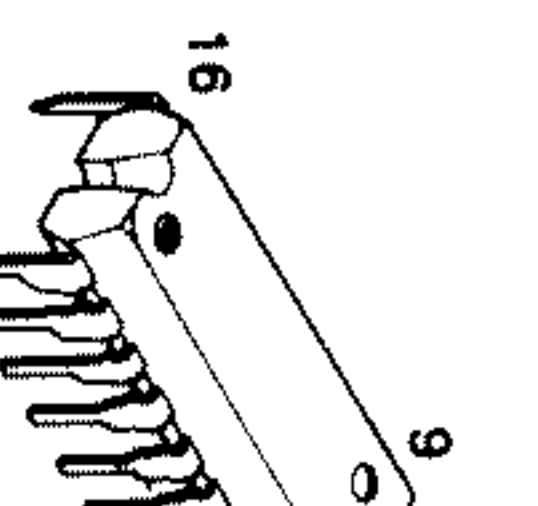
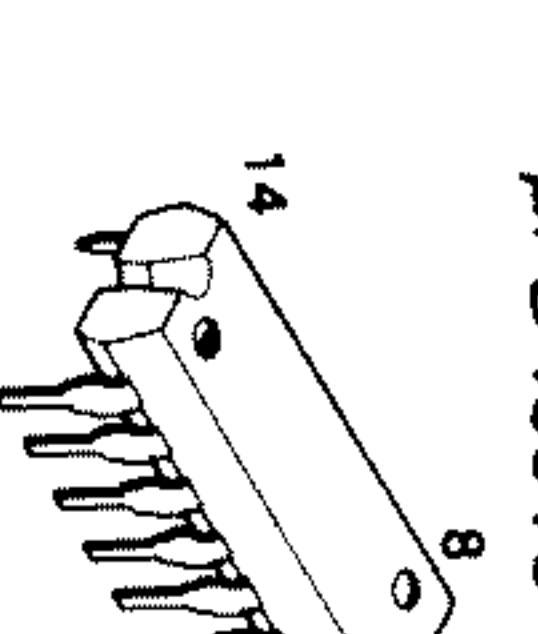
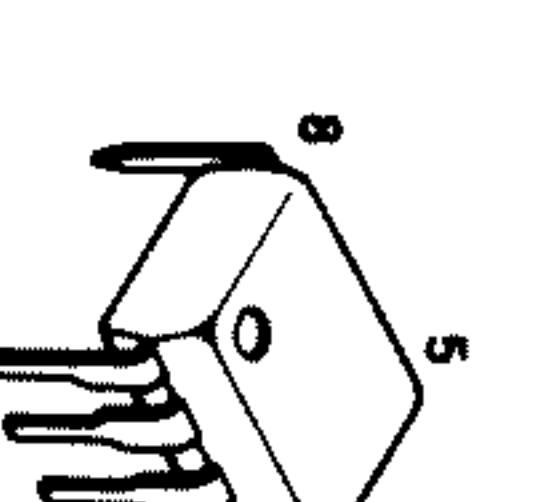
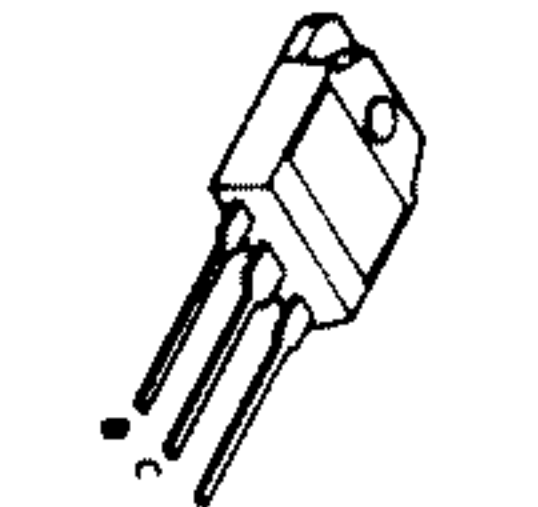
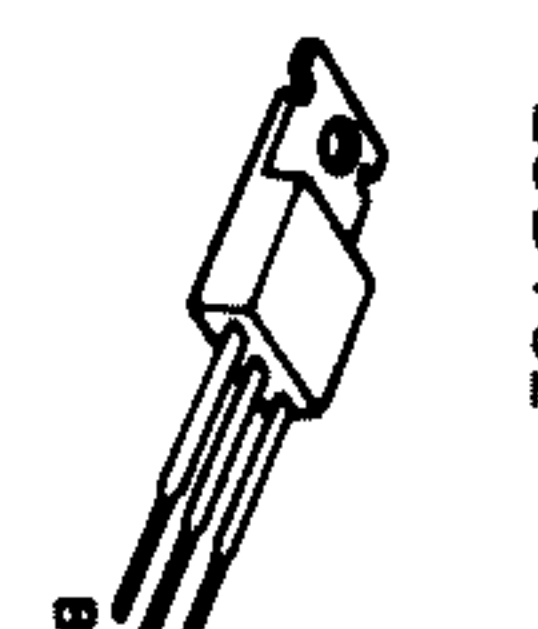
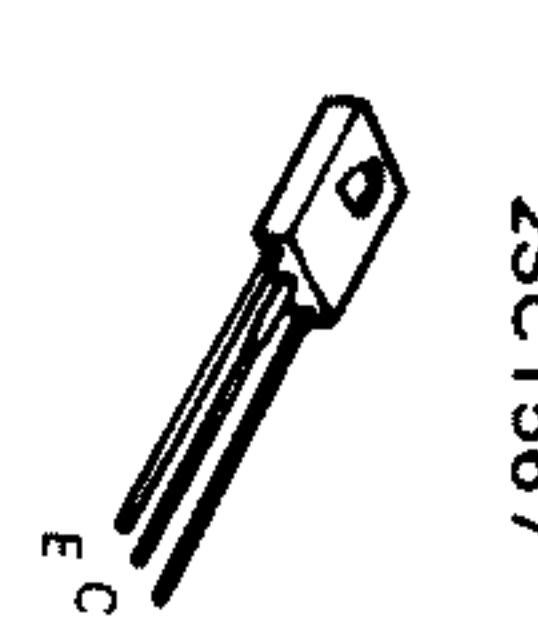
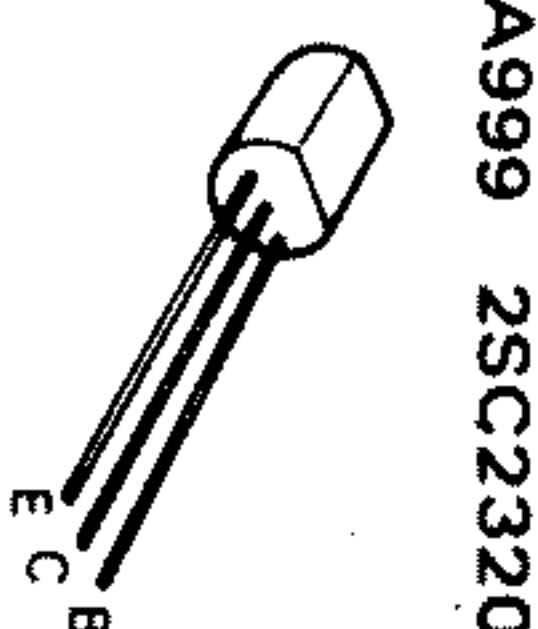
2SB724 2SD762

2SC2578

NJM4558D NJM4560D

MC14066BCP TC4001BP JPD4001C

TC4027BP MC14027BCP



STEREO INTEGRATED AMPLIFIER

G

H

I

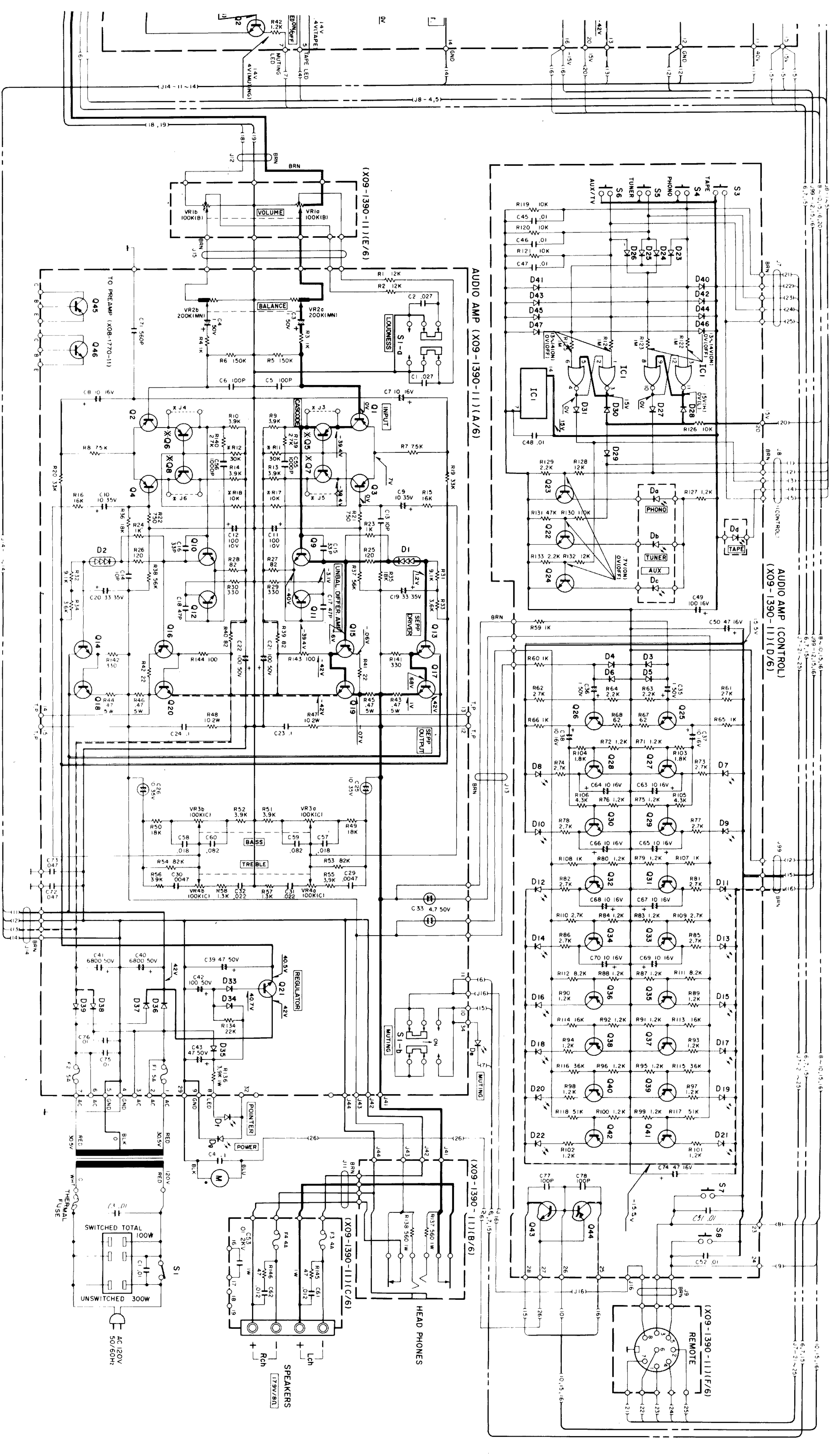
J

K

M

N

O



CP TC4027BP MC14027BCP

* Q5 ~ 8, R11, 12, 17 and 18 are mounted only on X09-1390-1 PCB ass'y instead of J3 ~ 6.

Q1 ~ 4	: 2SAB72A(E)	Q21 ~ 30	: 2SC2320(E, F) or 2SC945(Q, P)
Q9 ~ 12	: 2SC1775	Q31 ~ 42	: 2SA999(E, F) or 2SA735(A, Q, P)
Q13, 14	: 2SC1567(O, R)	Q45	: 2SA994
Q15, 16	: 2SA194(O, R)	Q46	: 2SB724(P, O)
Q17 ~ 20	: 2SC2578(O, Y)	D35, 34	: 1S2076
Q21, 43	: 2SC2003	D35	: W06B
Q22	: 2SC2320(F, G) or 2SC945(P, K)	D36 ~ 39	: GP250

IC1 : TC4027BP or JPD402C

KA-500

SPECIFICATIONS

Power output
8 ohms from 20 Hz to 20,000 Hz with no more than 0.1% total 43 watts* per channel minimum RMS, both channels driven, at harmonic distortion.

Both Channels Driven
46 + 46 watts 8 ohms at 1,000 Hz
55 + 55 watts 4 ohms at 1,000 Hz

Total Harmonic Distortion
(20 Hz to 20,000 Hz)
AUX input to SPEAKER output
0.1% at rated power
into 8 ohms
0.08% at 1/2 rated power
into 8 ohms
0.08% at rated power with
VOLUME - 20 dB

PHONO input to SPEAKER output
0.03% at rated power
into 8 ohms
40, 20 Hz - 20,000 Hz
Damping Factor
into 8 ohms
10 Hz to 30,000 Hz
at 0.1% THD
10 Hz to 80,000 Hz, -3 dB
Accept 4 ohms to 16 ohms

Power Bandwidth
10 Hz to 30,000 Hz
at 0.1% THD
10 Hz to 80,000 Hz, -3 dB
Accept 4 ohms to 16 ohms

Frequency Response
Speaker Impedance
Input Sensitivity/Impedance
Phono
2.5 mV/50 ohms
Tuner, AUX, Tape
150 mV/30 ohms
2.5 mV/50 ohms

Signal-to-Noise Ratio (HF, AI)
Phono
75 dB for 2.5 mV input
81 dB for 5.0 mV input
87 dB for 10 mV input
105 dB for 150 mV input
67 dB for 2.5 mV input
80 mV (RMS), THD 0.1%
at 1,000 Hz

Tuner, AUX, Tape
Mic
80 mV (RMS), THD 0.1%
at 1,000 Hz

Output Level/Impedance
Tape REC (pin)
150 mV/50 ohms
300 mV/75 ohms
Frequency Response for Phono
RIAA standard curve ± 0.4 dB
(30 Hz to 15,000 Hz)

Tone Control
Bass
+8 dB at 100 Hz
-8 dB at 10,000 Hz
-8 dB at 100 Hz at -30 dB
VOLUME Level

Audio Wiring
-30 dB

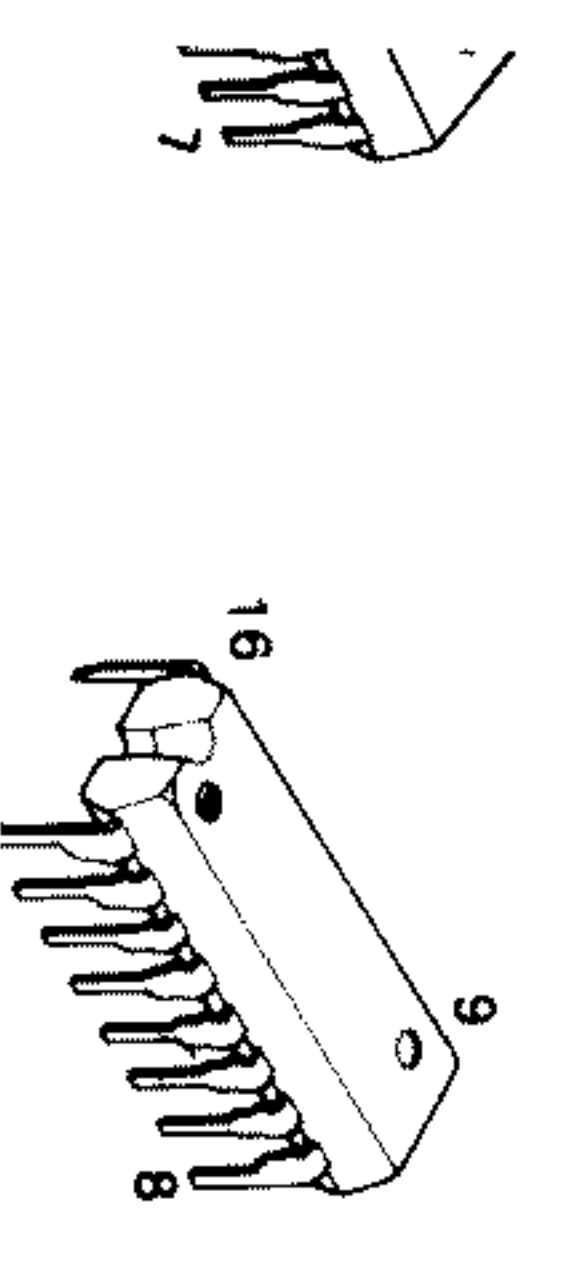
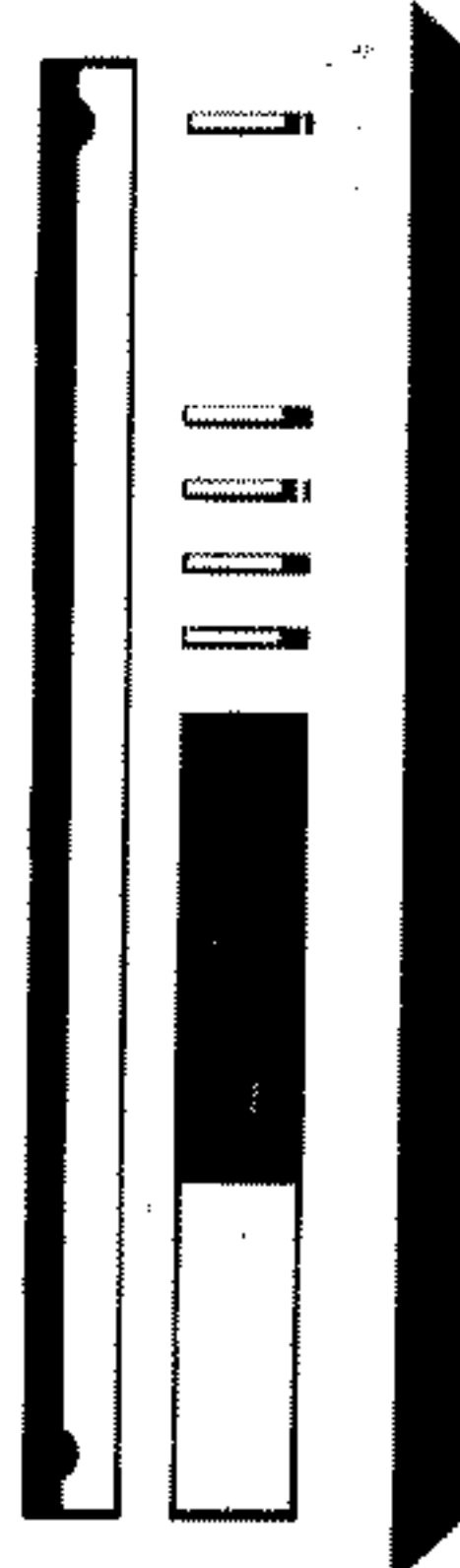
GENERAL
Power Consumption
2.4 A (UL and CSA)
300 W (IEC)
200 W (IEC)
22 W (Non signal)
Switched 2, Unswitched 1
W 440 mm (17.0 32")
H 133 mm (5.1 4")
D 281 mm (11.1 16")
7.6 kg (16.7 lbs.)

A C Outlet
Dimensions
Weight (Net)

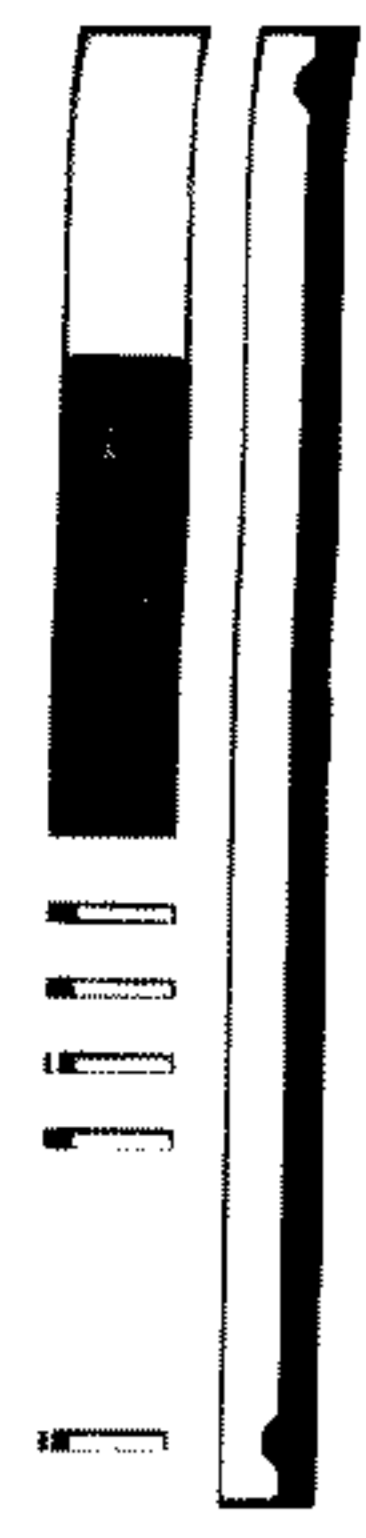
* Measured pursuant to Federal Trade Commission's Trade Regulation Rule on Power Output Claims for Amplifiers in U.S.A.

© 1975 Philips North America Consumer Electronics Co. All rights reserved. Philips and KA-500 are registered trademarks of Philips North America Consumer Electronics Co. in the U.S.A. and other countries. Philips and KA-500 are registered trademarks of Philips North America Consumer Electronics Co. in the U.S.A. and other countries. Philips and KA-500 are registered trademarks of Philips North America Consumer Electronics Co. in the U.S.A. and other countries.

KA-500

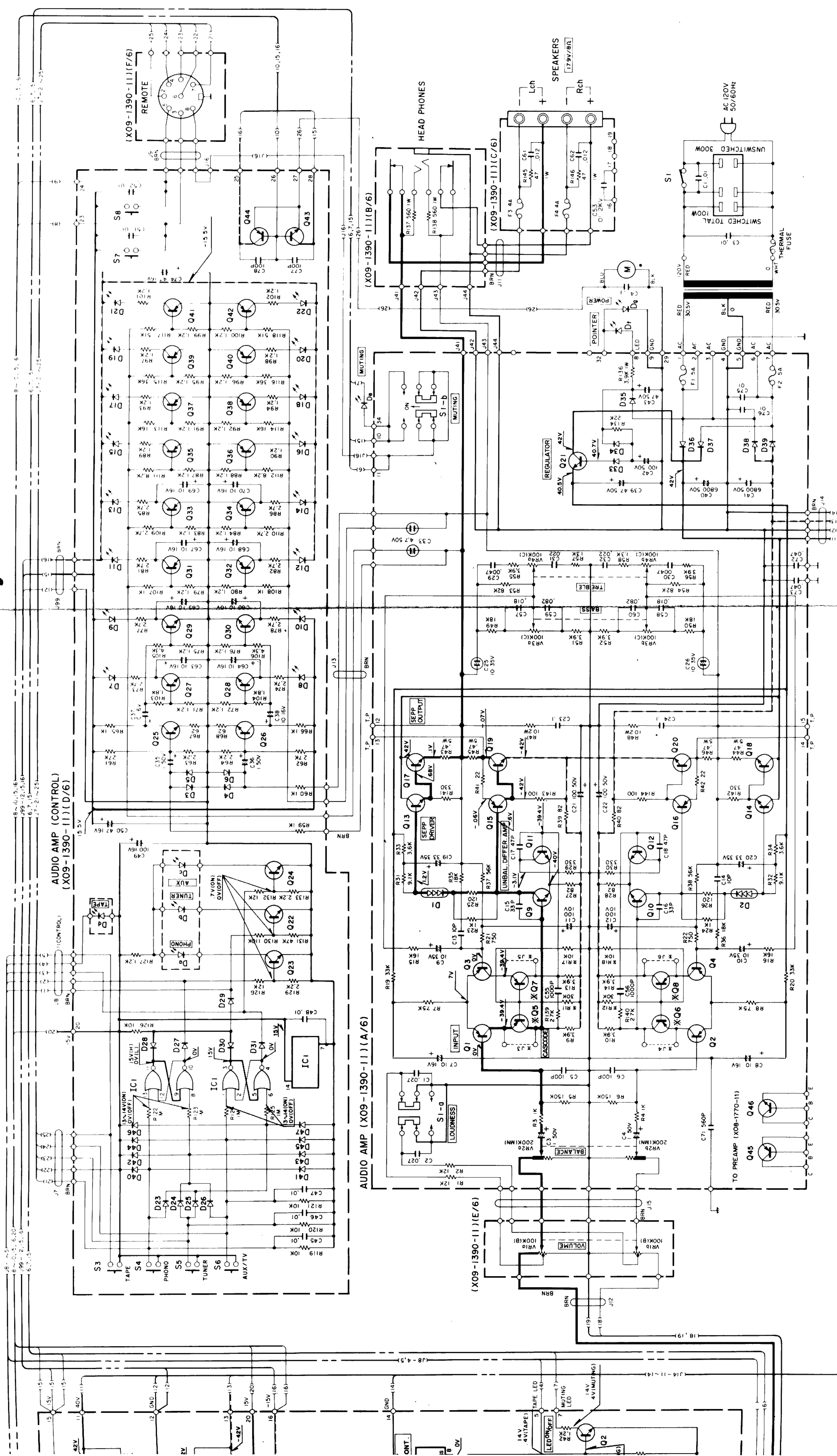


KA-500 SUPPLEMENT



STEREO INTEGRATED AMPLIFIER

F G H I J K L M N O



SPECIFICATIONS

Power output
8 ohms from 20 Hz to 20,000 Hz with no more than 0.1% total 4.3 watts* per channel minimum RMS, both channels driven, at harmonic distortion.

Both Channels Driven
46 - 46 watts 8 ohms at 1,000 Hz
55 - 55 watts 4 ohms at 1,000 Hz

Total Harmonic Distortion (20 Hz to 20,000 Hz)
AUX input to SPEAKER output
0.1% at rated power into 8 ohms
0.08% at 1/2 rated power into 8 ohms
0.08% at rated power w/ 0.03% at rated power into 8 ohms

PHONO input to SPEAKER output
Intermodulation Distortion (60 Hz, 7 MHz = 4 : 1)
Damping Factor

Power Bandwidth
Frequency Response
Speaker Impedance
Input Sensitivity/Impedance

Phono
Tuner, AUX, Tape
Mic
Signal to Noise Ratio (IHF A)

Tuner, AUX, Tape
Mic
Maximum Input Level for Phono

Output Level/Impedance
Tape REC (Pin) (DIN)
Frequency Response for Phono

Tone Control
Bass
Treble
Loudness Control

Audio Muting
GENERAL
Power Consumption

A.C. Outlet
Dimensions

Weight (Net)

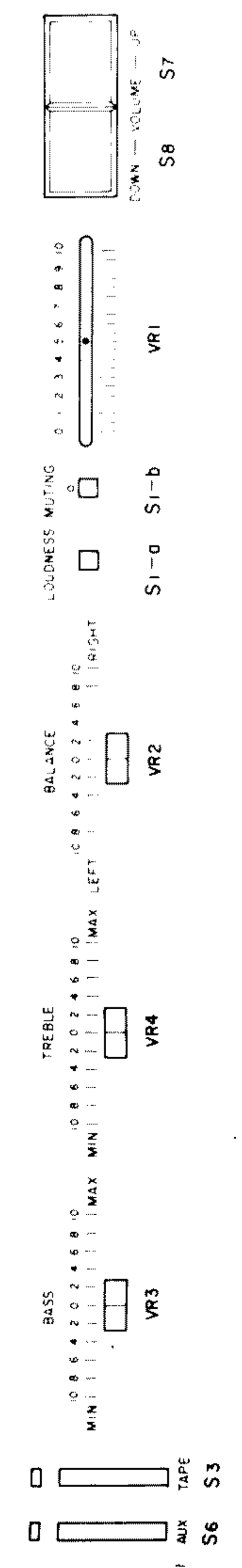
Measured pursuant to Federal Trade Commission's Trade Regulation Rule Power Output Claims for Amplifiers in U.S.A.

Knowles utilizes a policy of continuous advancements in development. For these specifications may be changed without notice.

Änderungen dieser Spezifikationen sind vorbehalten. Daher ist die Weiterentwicklung der Produkte ohne vorherige Ankündigung möglich.

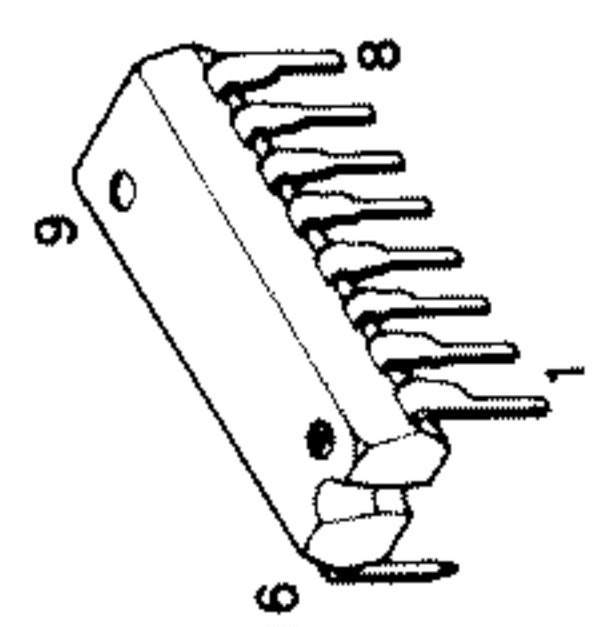
Knowles ne s'engage pas à garantir que les spécifications soient exactes à moins qu'il n'en soit autrement avisé.

- Q1 ~ 4 : 2SA872A(E)
- Q9 ~ 12 : 2SC1775
- Q13, 14 : 2SC1567(I,Q,R)
- Q15, 16 : 2SA794(I,Q,R)
- Q17 ~ 20 : 2SC2578(I,Q,Y)
- Q21, 43 : 2SC2003
- Q22 : 2SC2320(F,G) or 2SC6945(P,K)
- Q3 ~ 30 : 2SC2320(E,F) or 2SC6945(I,Q,P)
- Q31 ~ 42 : 2SA993(E,F) or 2SA733A(I,Q,P)
- Q41 : 2SA954
- Q44 : 2SB724(I,P,Q)
- Q45 : 2SD762(I,P,Q)
- Q46 : 2SA733A(I,Q,R)
- IC1 : TC4001BP or µPD4001C
- IC2 : STV-3H(Y)
- D1, 2 : STV-6, 23 ~ 31, 40 ~ 47 : IS2076 or IS1555
- D7 ~ 22 : B30-0201-05
- D33, 34 : IS2076
- D35 : W06B
- D36 ~ 39 : 6P250
- D4 : B30-0203-05
- D5 : B30-0202-05
- D6, 49 : B30-0201-05
- D8 : B30-0205-05
- D9 : B30-0206-06



*Q5~8, R11, 12, 17 and 18 are mounted only on X09-1390-11 PCB ass'y instead of J3~6.

TC4027BP
MC14027BCP



KA-500

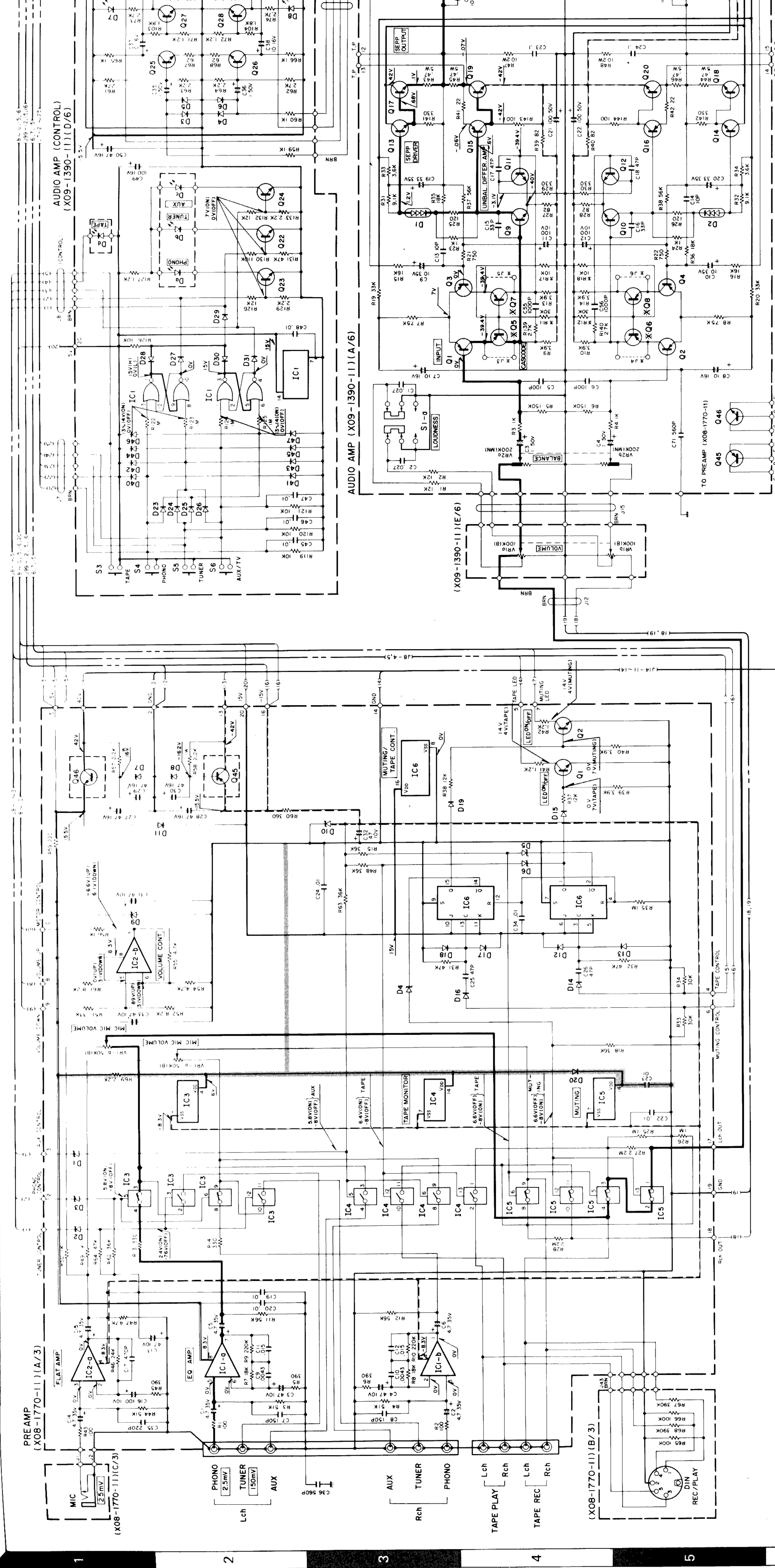
CP



This schematic diagram shows the change information by black screened part. Application: from Serial No. 0111001.

STEREO INTEGRATED AMPLIFIER

A B C D E F G H I J K



- Q 1,2 : 2SC945 or 2SC2320
- D1~6, 9, 10 : WZ-085
- D7, 8 : WZ-157
- D11~19 : IS2076 or IS1555
- D30 : IS2076
- IC1 : NJM4560D(A)
- IC2 : NJM4558D(A)
- IC3~5 : MC14066 BCP or μ PD4066C
- IC6 : TC4027BP or MC14027BCP

- Q1~4 : 2SA872A(E)
- Q9~12 : 2SC1775
- Q13, 14 : 2SC1567(Q,R)
- Q15, 16 : 2SA794(O,R)
- Q17~20 : 2SC2578(O,Y)
- Q21, A3 : 2SC2003
- Q22 : 2SC2320(F,G) or 2SC945(P,K)

- 2SA733 2SC945
- 2SA872 2SC1775
- 2SA954 2SC2003
- 2SA999 2SC2320

- 2SA794
- 2SC1567

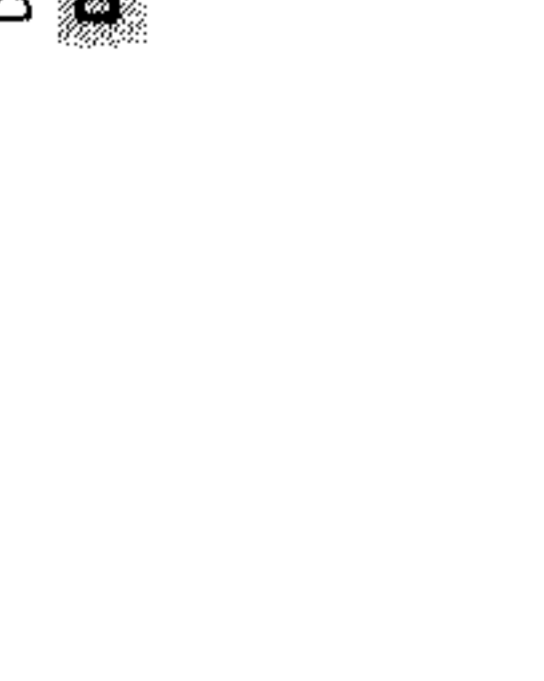
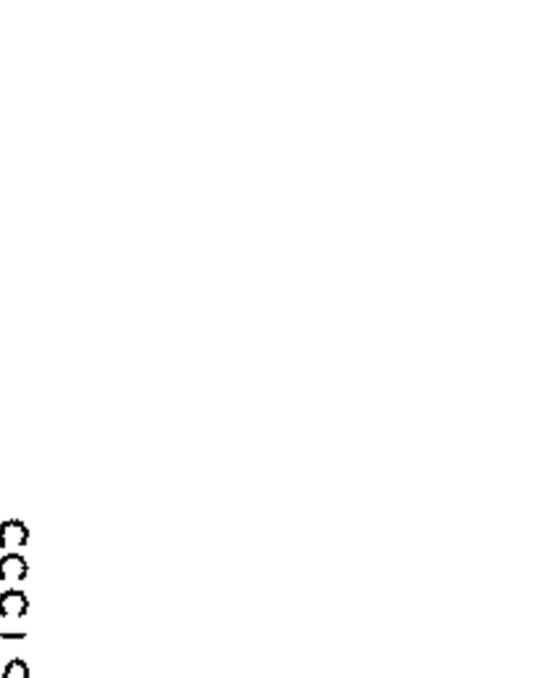
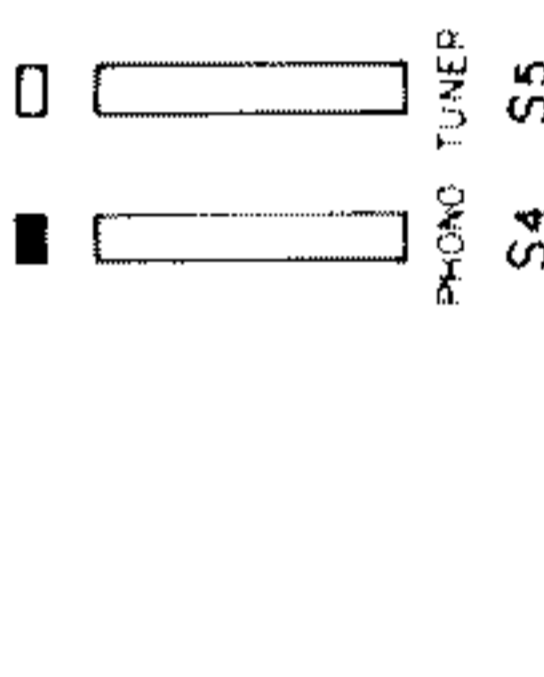
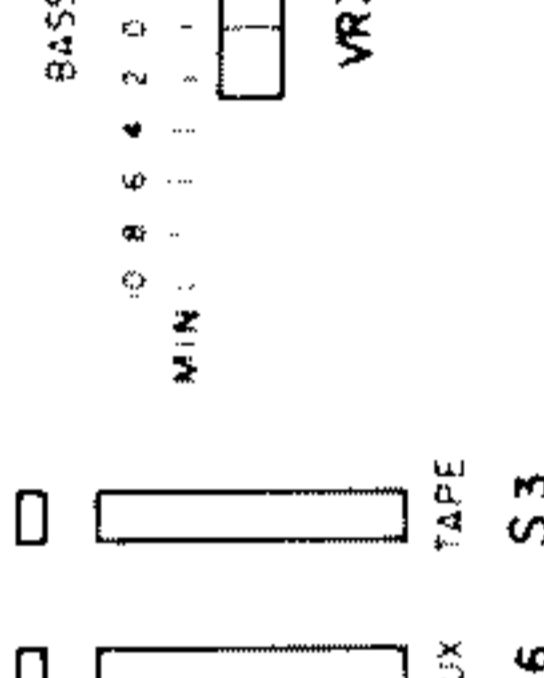
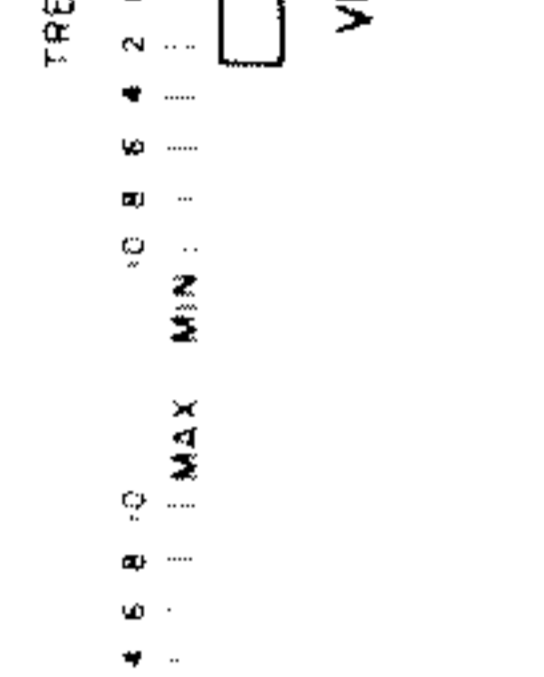
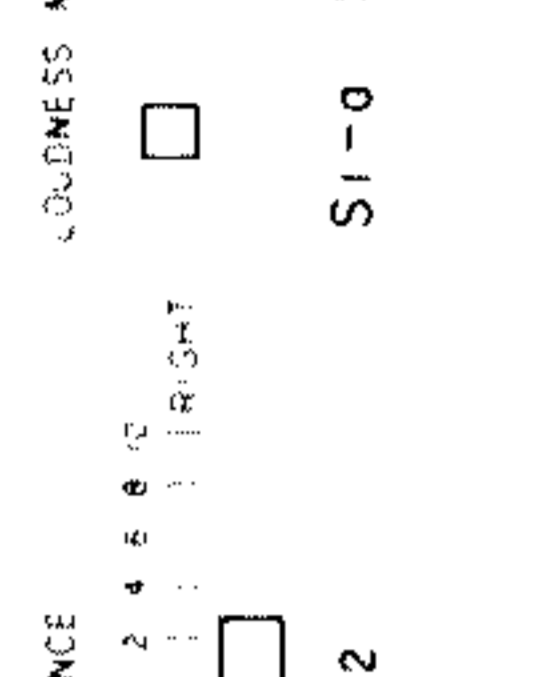
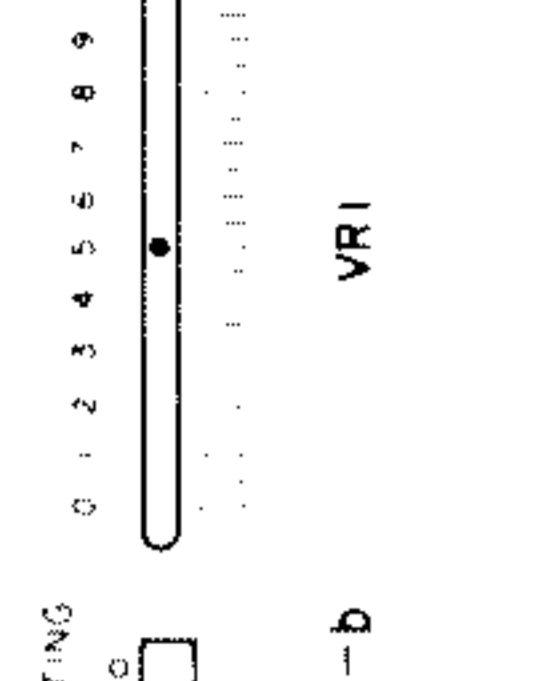
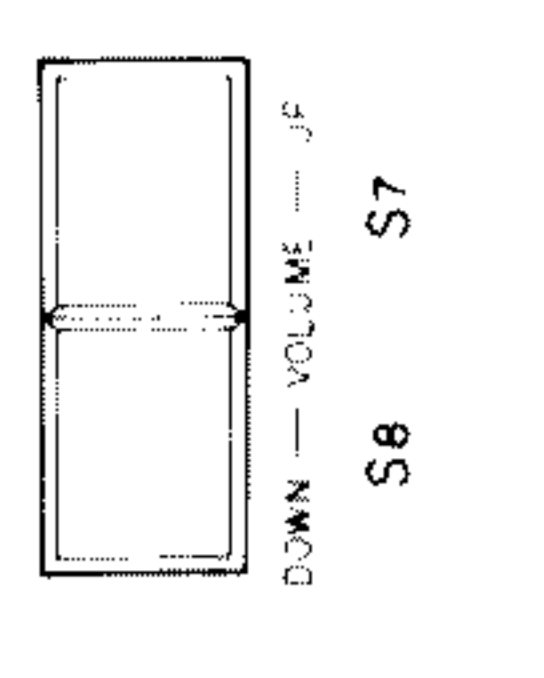
- 2SB724
- 2SD762

- 2SC2578

- NJM4558D
- NJM4560D

- MC14066BCP
- TC4001BP
- μ PD4001C
- μ PD4066C

- TC4027BP
- MC14027BCP



*Q5~8, R11, 12, 17 and 18 are mounted only on X09-1390-11 PCB ass'y instead of J