

KA-5040R

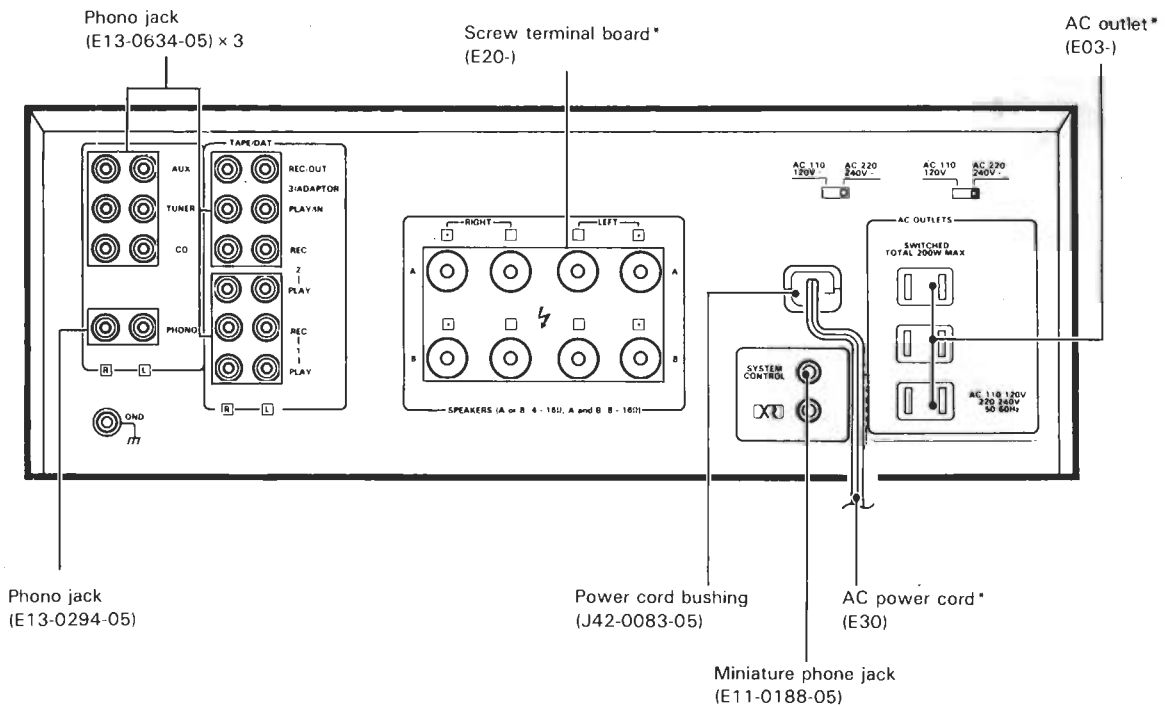
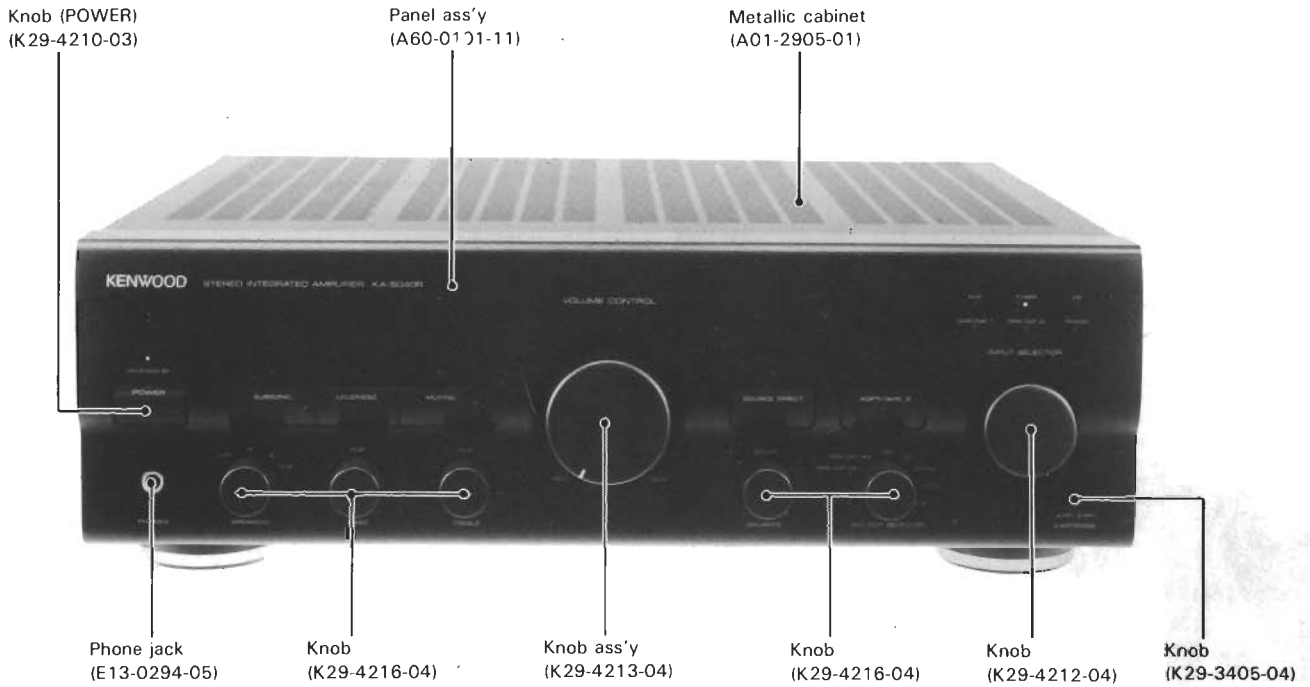
KENWOOD

SERVICE MANUAL

*Geheve volledige reserveonderdelen voor
& alle capaciteiten! (Bestel)*

©1991-6 PRINTED IN JAPAN
B51-4415-00(S)2140

Sub: 25A 721



*Refer to parts list on page 29.

REMOTE CONTROL OPERATION

Operation keys for KENWOOD components connected by System Control cords

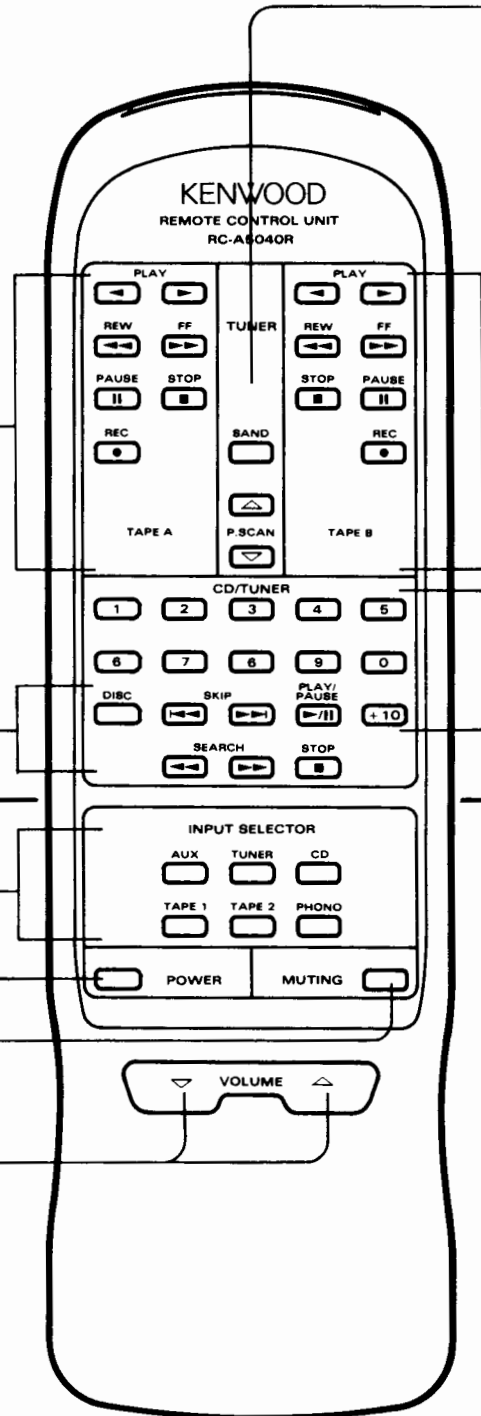
TAPE A operation keys
 These keys perform the same operations as the corresponding keys on the cassette deck. However, operations requiring simultaneous pressing of two keys are not possible. These keys are used for operating Deck A of a double-cassette deck.

TUNER operation keys

TAPE B operation keys
 These keys perform the same operations as the corresponding keys on the cassette deck. However, operations requiring simultaneous pressing of two keys are not possible. These keys are used for operating a single-cassette deck or Deck B of a double-cassette deck.

CD player operation keys

Numeric keys
 When the INPUT SELECTOR is set to TUNER:
 These keys are used for specifying preset station numbers.
 When the INPUT SELECTOR is set to CD:
 These keys are used for direct tune selection.



INPUT SELECTOR keys

POWER key

MUTING key

VOLUME UP Δ DOWN ∇ keys

KA-5040R operation keys
 These keys have the same function as the corresponding keys on the main unit.

CIRCUIT DESCRIPTION

MICROPROCESSOR (μ PD75104G-778)

1. TEST MODE

1.1 Test Mode Using Mainframe Keys

(1) Setting

Plug in while pressing the SOURCE DIRECT key.

(2) Contents

- Switch the power on so that all LED indicators go on. Operate all TACT keys and the rotary encoder to cancel all the LED indicators that go on. In the all-light mode, all the INPUT SELECTOR LED indicators do not go on at the same time. The next SELECTOR LED indicator goes on approximately 100 ms after one SELECTOR LED indicator goes on in the same order as during input selector selection using the rotary encoder, because the output current exceeds the absolute maximum rating when all the INPUT SELECTOR LED indicators go on, since each LED indicator is directly driven by a microcomputer.
- When the LOUDNESS key is pressed while the test mode is set with a mainframe key, the electromotive VOLUME decreases. When the MUTING key is pressed, the VOLUME increases. The VOLUME stops when the SOURCE DIRECT key is pressed.

(3) Cancellation

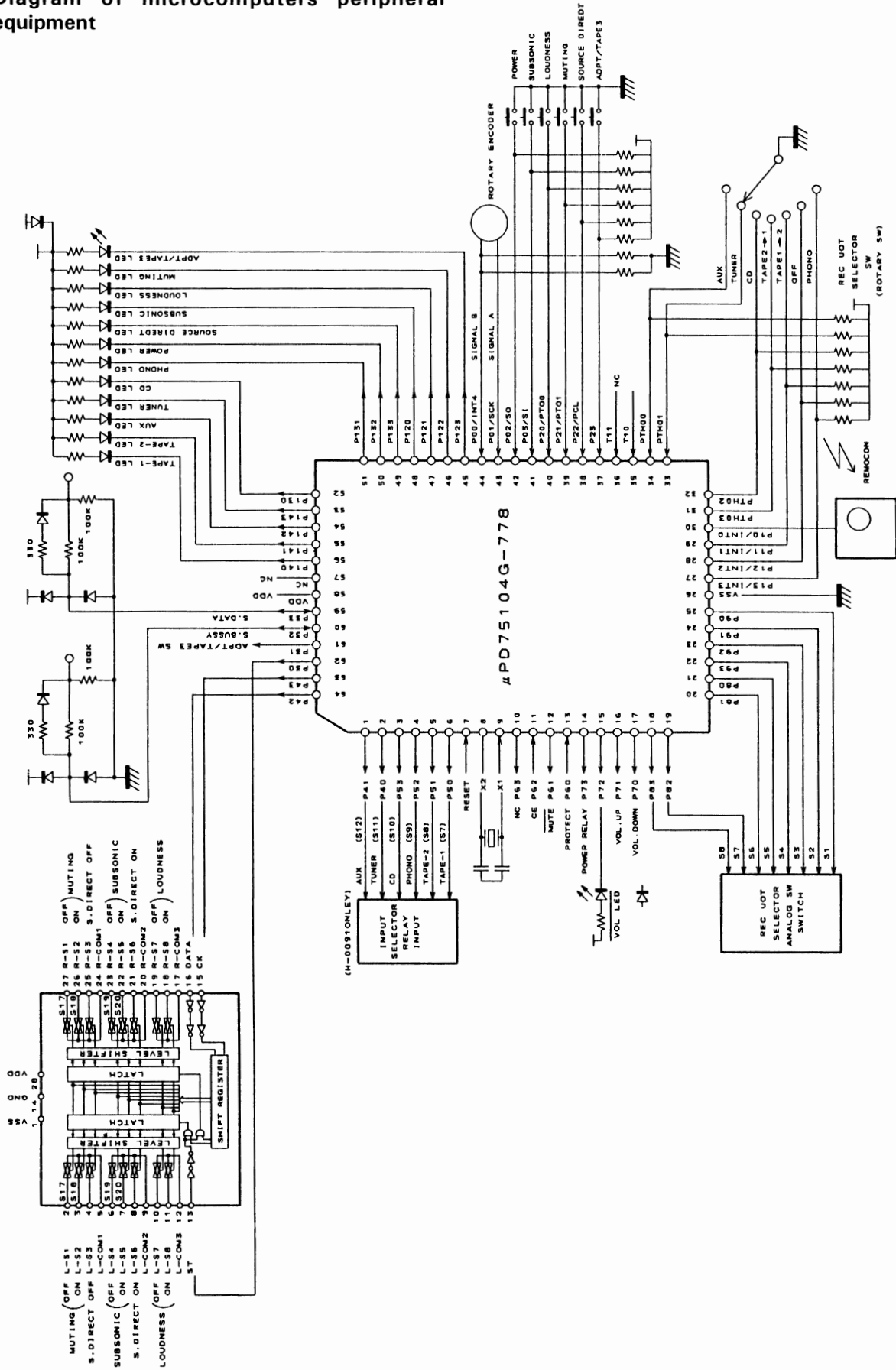
- Plug off. If there a backup function is to be used, plug off and destroy the backup check data when a test mode flag is set during backup operation.

2. INITIALIZING

Insert the AC plug into a wall outlet while pressing the POWER key.

CIRCUIT DESCRIPTION

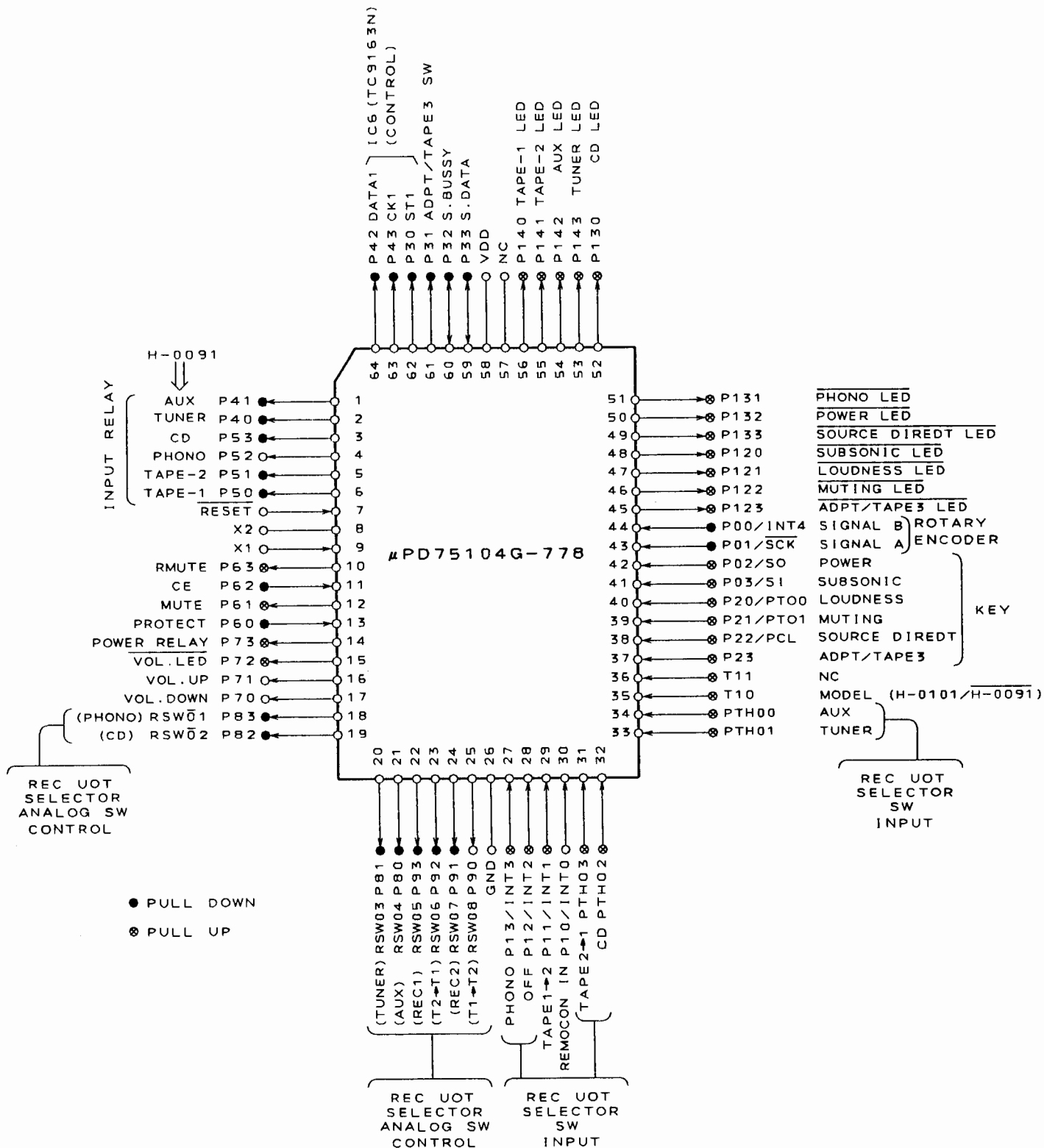
3. Diagram of microcomputers peripheral equipment



KA-5040R

CIRCUIT DESCRIPTION

4. PIN CONNECTIONS



CIRCUIT DESCRIPTION

5. PIN FUNCTIONS

Pin No.	Pin name	I/O	Name	Description
1	P41	O	SRAUX	AUX SELECTOR RELAY control pin (high when active). Outputs a low signal in the backup mode.
2	P40	O	SRTUNER	TUNER SELECTOR RELAY control pin (high when active). Outputs a low signal in the backup mode.
3	P53	O	SRCD	CD SELECTOR RELAY control pin (high when active). Outputs a low signal in the backup mode.
4	P52	O	SRPHONO	PHONO SELECTOR RELAY control pin (high when active). Outputs a low signal in the backup mode.
5	P51	O	SRTAPE2	TAPE2 SELECTOR RELAY control pin (high when active). Outputs a low signal in the backup mode.
6	P50	O	SRTAPE1	TAPE1 SELECTOR RELAY control pin (high when active). Outputs a low signal in the backup mode.
7	RESET	I		Microcomputer reset input pin.
8	X2	O		Ceramic connection pin for microcomputer system clock oscillation (4.19 MHz).
9	X1	I		
10	P63	O	RMUTE	Unused. Enters the input mode during backup.
11	P62	I	/CE	Backup state detection pin (low when active). Enters the input mode during backup.
12	P61	O	MUTE	Mute signal output pin (high when active). Enters the input mode during backup.
13	P60	I	PROTECT	Protect state detection pin (high when active). The POWER LED indicator blinks when a high signal is input to this pin during the power-on sequence. Enters the input mode during backup.
14	P73	O	POWER RELAY	POWER RELAY control pin. POWER ON: High POWER OFF: Low Enters the input mode during backup.
15	P72	O	VOL. LED	Volume index LED control pin. Goes on: Low Goes off: High Enters the input mode during backup.
16	P71	O	VOL. UP	Electromotive volume control Up signal output pin. Volume control Up: High Except volume control Up: Low Enters the input mode during backup.
17	P70	O	VOL. DOWN	Electromotive volume control Down signal output pin. Volume control Down: High Except volume control Down: Low
18~25	P83~P90	O	RSW08~RSW01	Control signal output pin of REC OUT SELECTOR analog switch (high when active). Outputs a signal according to the REC Out selector state as shown on the attached sheet, Outputs a low signal in the backup mode.
26	Vss		GND	Microcomputer GND pin.
27	P13/INT3	I	RSWI (PHONO)	REC out selector state setting input pin (PHONO). (Low when active.)
28	P12/INT2	I	RSWI (OFF)	REC out selector state setting input pin (OFF). (Low when active.)
29	P11/INT1	I	RSWI (TAPE1→2)	REC out selector state setting input pin (TAPE1→TAPE2). (Low when active.)

CIRCUIT DESCRIPTION

Pin No.	Pin name	I/O	Name	Description
30	PIO/INITO	I	REMOCON IN	Remote control signal input pin.
31	PTH03	I	RSWI (TAPE2→1)	REC out selector state setting input pin (TAPE2 → TAPE1). (Low when active.)
32	PTH02	I	RSWI (CD)	REC out selector state setting input pin (CD). (Low when active.)
33	PTH01	I	RSWI (TUNER)	REC out selector state setting input pin (TUNER). (Low when active.)
34	PTH00	I	RSWI (AUX)	REC out selector state setting input pin (AUX). (Low when active.)
35	TIO	I		Unused.
36	TI1	I		Unused.
37	P23	I	KEYIN (ADPT/TAPE3)	ADPT/TAPE3 key input pin (low when active). Enters the input mode during backup.
38	P22/PCL	I	KEYIN (SOURCE DIRECT)	SOURCE DIRECT key input pin (low when active). Enters the input mode during backup.
39	P21/PTO1	I	KEYIN (MUTING)	MUTING key input pin (low when active). Enters the input mode during backup.
40	P20/PTO0	I	KEYIN (LOUDNESS)	LOUDNESS key input pin (low when active). Enters the input mode during backup.
41	PO3/SI	I	KEYIN (SUBSONIC)	SUBSONIC key input pin (low when active).
42	PO2/SO	I	KEYIN (POWER)	POWER key input pin (low when active). Enters the input mode during backup.
43	PO1/SCK	I	REI A	ROTARY ENCODER A signal input pin. Enters the input mode during backup.
44	PO0/INT4	I	REI B	ROTARY ENCODER B signal input pin.
45	PI23	O	ADPT/TAPE23 LED	ADPT/TAPE3 LED control pin (low when active). No pull-up resistor is incorporated by a mask option. Enters the input mode during backup.
46	PI22	O	MUTING LED	MUTING LED control pin (low when active). No pull-up resistor is incorporated by a mask option. Enters the input mode during backup.
47	PI21	O	LOUDNESS LED	LOUDNESS LED control pin (low when active). No pull-up resistor is incorporated by a mask option. Enters the input mode during backup.
48	P120	O	SUBSONIC LED	SUBSONIC LED control pin (low when active). No pull-up resistor is incorporated by a mask option. Enters the input mode during backup.
49	P133	O	SOURCE DIRECT LED	SOURCE DIRECT LED control pin (low when active). No pull-up resistor is incorporated by a mask option. Enters the input mode during backup.
50	PI32	O	POWER LED	POWER LED control pin (low when active). No pull-up resistor is incorporated by a mask option. Enters the input mode during backup.
51	PI31	O	PHONO LED	PHONO LED control pin (low when active). No pull-up resistor is incorporated by a mask option. Enters the input mode during backup.
52	PI30	O	CD LED	CD LED control pin (low when active). No pull-up resistor is incorporated by a mask option. Enters the input mode during backup.

CIRCUIT DESCRIPTION

Pin No.	Pin name	I/O	Name	Description
53	PI43	O	TUNER LED	TUNER LED control pin (low when active). No pull-up resistor is incorporated by a mask option. Enters the input mode during backup.
54	PI42	O	AUX LED	AUX LED control pin (low when active). No pull-up resistor is incorporated by a mask option. Enters the input mode during backup.
55	PI41	O	TAPE2 LED	TAPE1 LED control pin (low when active). No pull-up resistor is incorporated by a mask option. Enters the input mode during backup.
56	PI40	O	TAPE1 LED	TAPE1 LED control pin (low when active). No pull-up resistor is incorporated by a mask option. Enters the input mode during backup.
57	NC			
58	Vdd			Microcomputer power supply pin.
59	P33	I/O	SDATA	Serial communication SDATA signal input/output pin. Enters the input mode during backup.
60	P32	I/O	SBUSY	Serial communication SBUSY signal input/output pin. Enters the input mode during backup.
61	P31	O	ADPT/TAPE3	ADPT/TAPE3 analog switch control signal output pin. ADPT/TAPE3 ON: High ADPT/TAPE3 OFF: low Outputs a low signal in the backup mode.
62	P30	O	ST1	FUNCTION IC TC9163N ST signal output pin for MUTING, SUBSONIC, SOURCE DIRECT, and LOUDNESS. Usually set low. Outputs a low signal in the backup mode.
63	P43	O	CK1	FUNKTION IC TC9163N CK signal output pin for MUTING, SUBSONIC, SOURCE DIRECT, and LOUDNESS. Usually set low. Outputs a low signal in the backup mode.
63	P43	O	DATA1	FUCTION IC TC9163N DATA signal output pin for MUTING, SUBSONIC, SOURCE DIRECT, and LOUDNESS. Usually set low. Outputs a low signal in the backup mode.

KA-5040R

ADJUSTMENT/REGLAGE/ABGLEICH

ADJUSTMENT

No.	ITEM	INPUT SETTINGS	OUTPUT SETTINGS	AMPLIFIER SETTING	ALIGNMENT POINTS	ALIGN FOR	FIG.
Unless otherwise specified, set the respective switches as follows: POWER: ON SPEAKER: B REC OUT: OFF SELECTOR: PHONO							
1	IDLE CURRENT	-	Connect a DC voltmeter across CP1 (L) CP2 (R) (X09-)	VOLUME: 0	VR1 (L) VR2 (R) (X09-)	15 mV (34 mA).	(a)

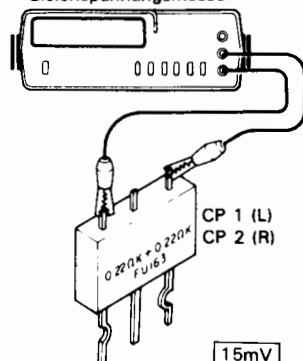
REGLAGES

N°	ITEM	REGLAGE DE L'ENTREE	REGLAGE DE LA SORTIE	REGLAGE DE L'AMPLIFICATEUR	POINTS DE L'ALIGNMENT	ALIGNER POUR	FIG.
Sauf indication contraire, régler comme suit les commandes respectives: POWER: ON SPEAKER: B REC OUT: OFF SELECTOR: PHONO							
1	COURANT DE POLARISATION	-	Connecter un voltmètre de CC SUR CP1 (G) CP2 (D) (X09-)	VOLUME: 0	VR1 (G) VR2 (D) (X09-)	15 mV (34 mA).	(a)

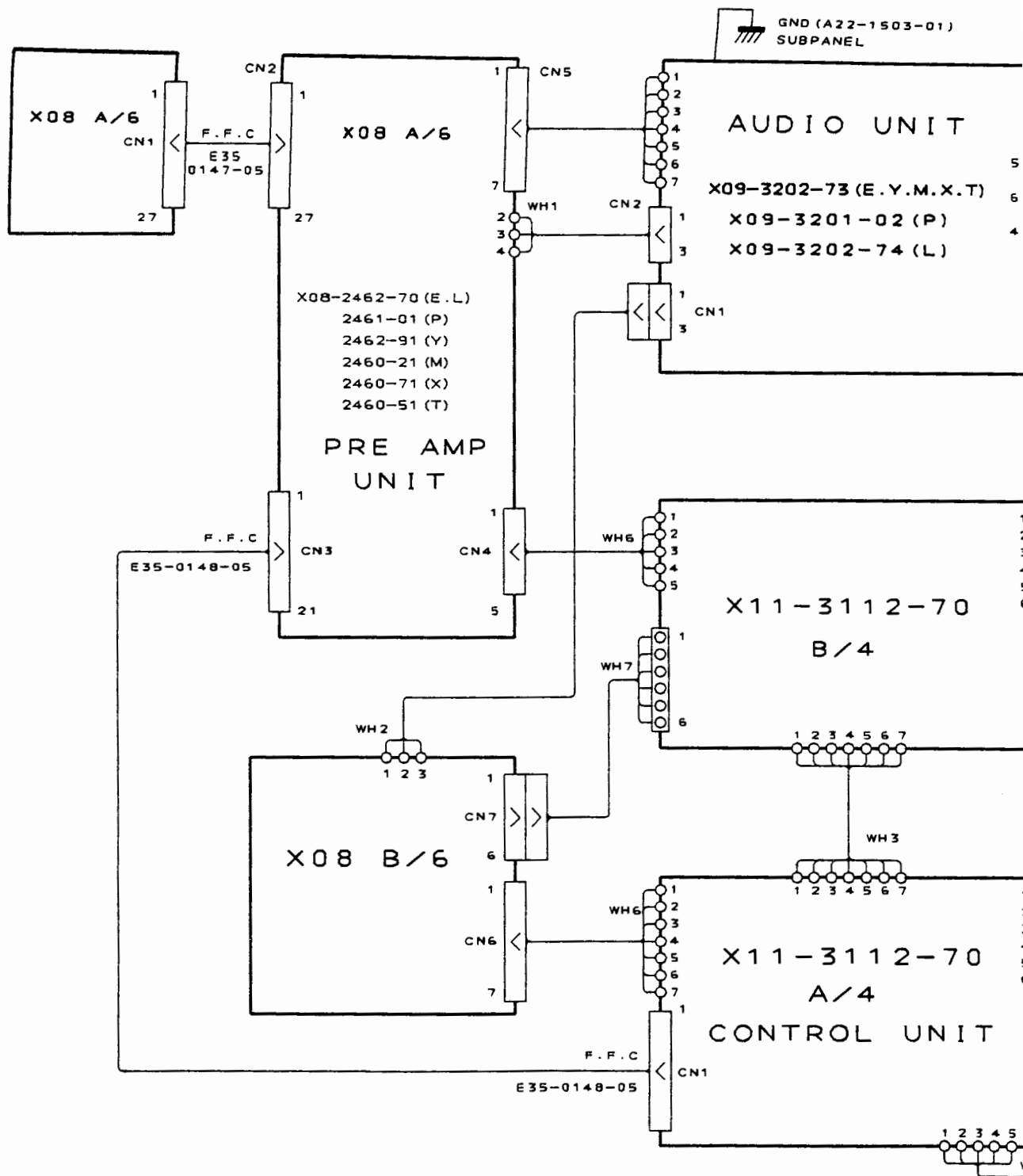
ABGLEICH

NR.	GEGENSTAND	EINGANGS-EINSTELLUNG	AUSANGS-EINSTELLUNG	VORSTÄRKER-EINSTELLUNG	ABGLEICH-PUNKTE	ABGLEICHEN FÜR	ABB.
Wenn nicht anders angegeben, die einzelnen Schalter wie folgt einstellen: POWER: ON SPEAKER: B REC OUT: OFF SELECTOR: PHONO							
1	LEERLAUFSTROM	-	Einen Gleichspannungsmesser über CP1 (L) CP2 (R) anschließen. (X09-)	VOLUME: 0	VR1 (L) VR2 (R) (X09-)	15 mV (34 mA).	(a)

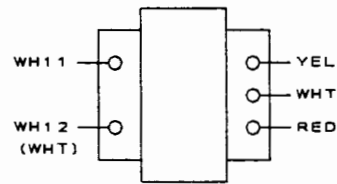
(a) DC voltmeter
Voltmètre de CC
Gleichspannungsmesser



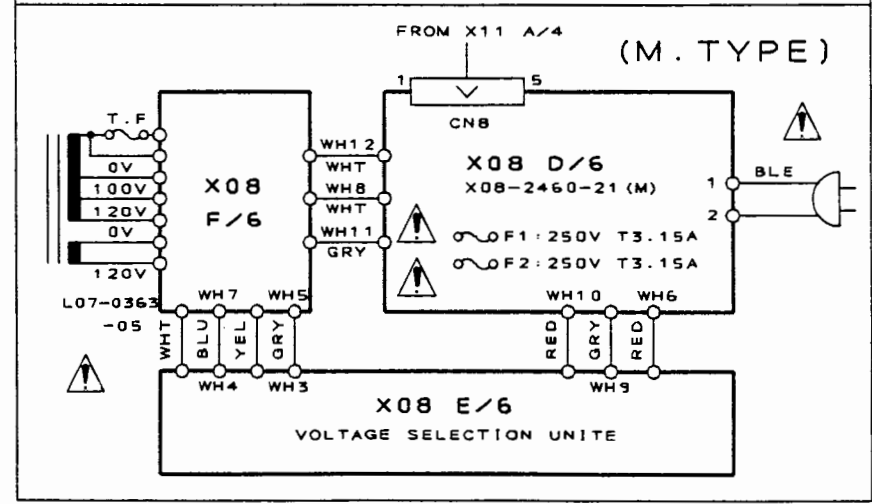
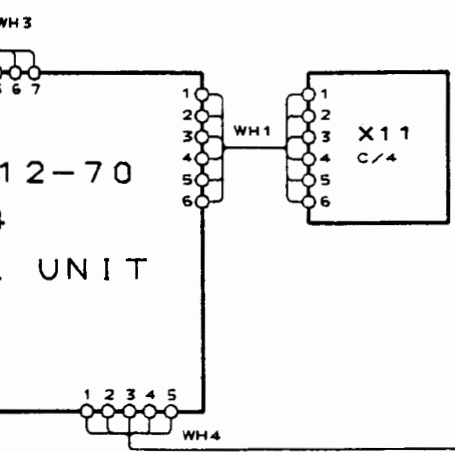
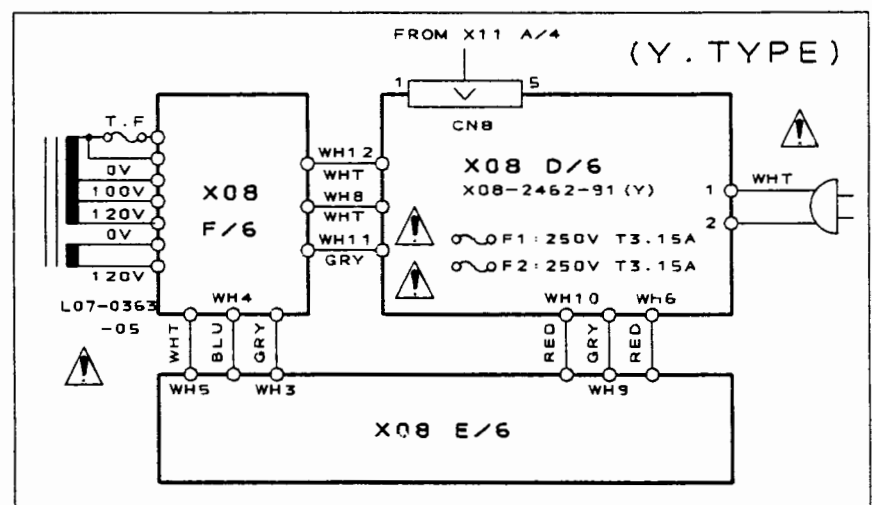
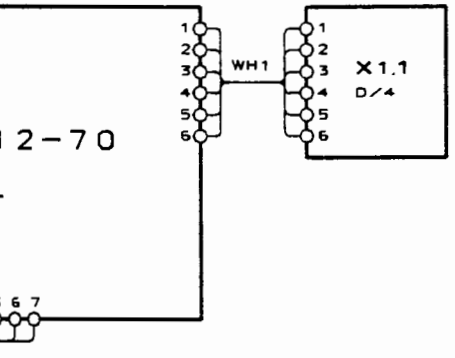
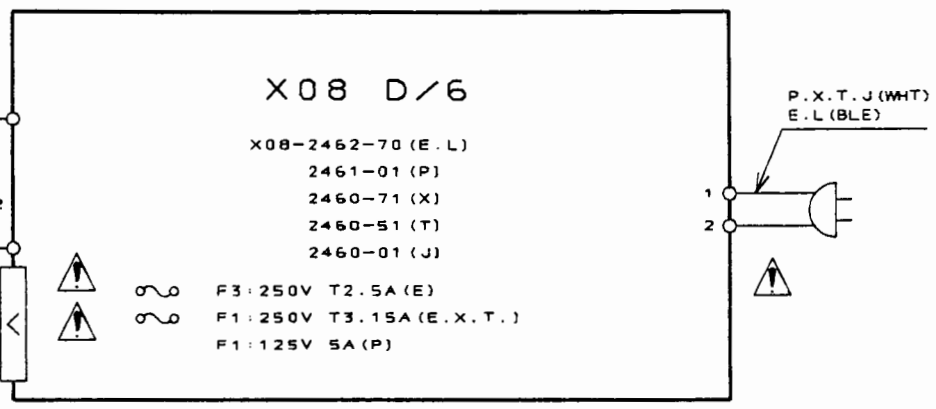
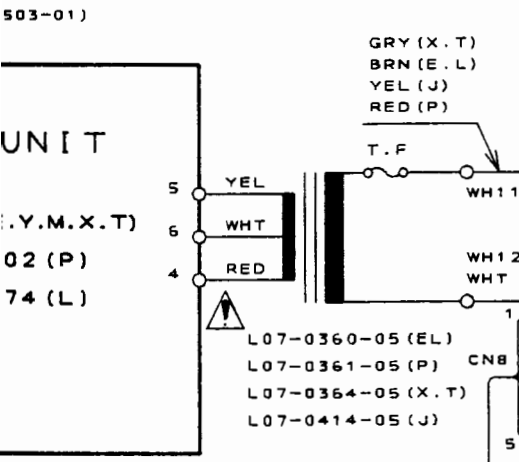
WIRING D



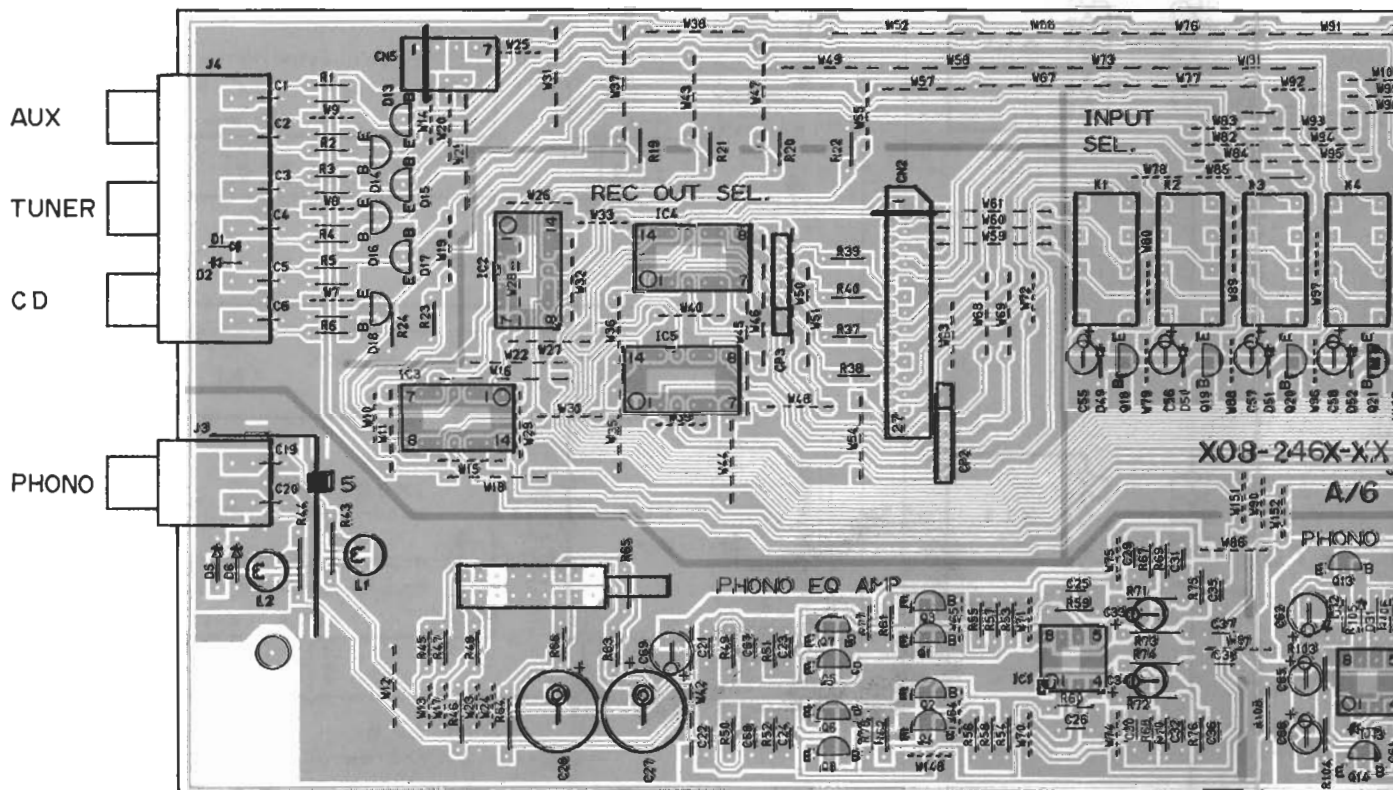
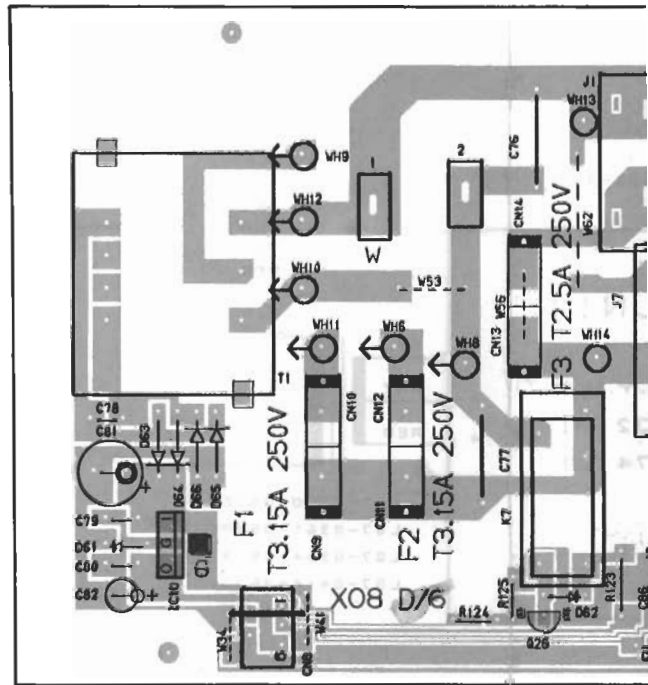
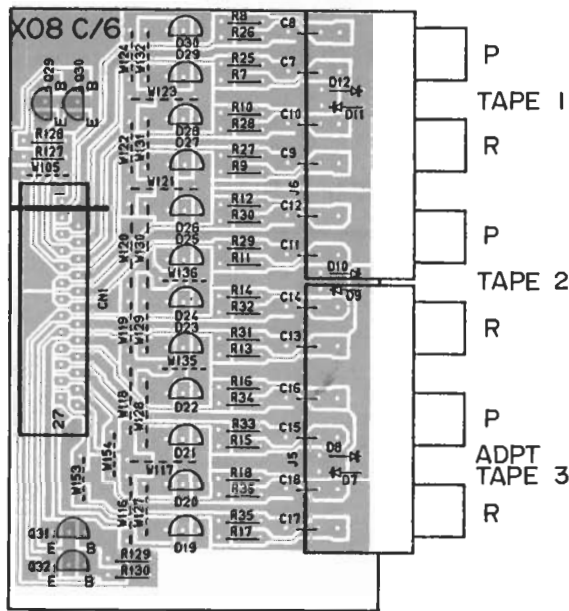
WIRING DIAGRAM

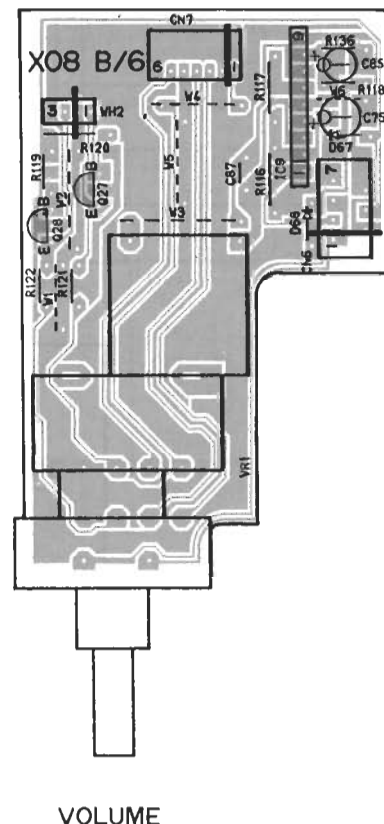
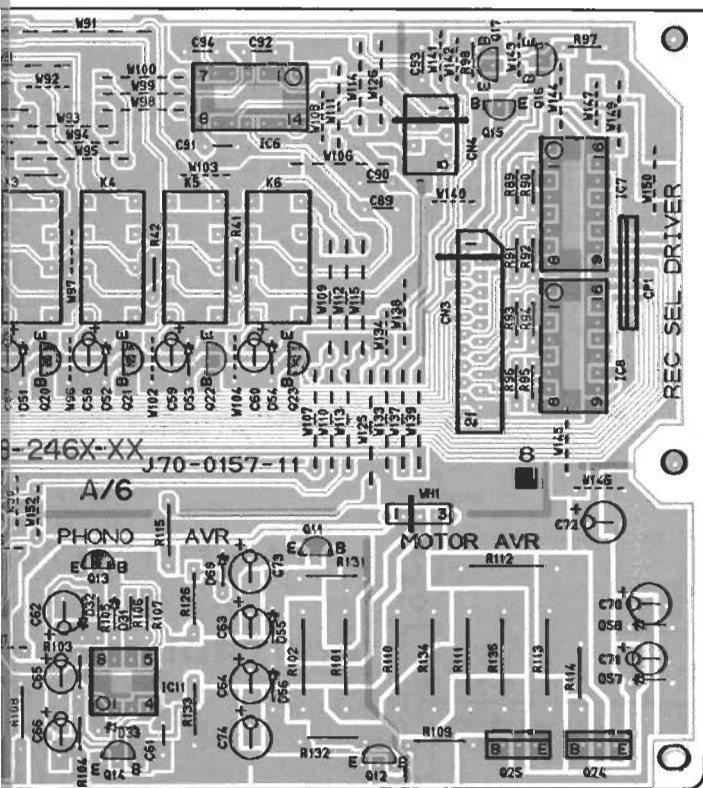
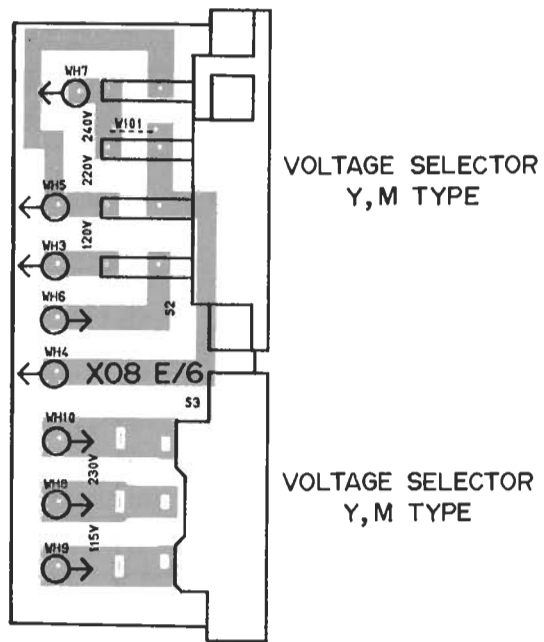
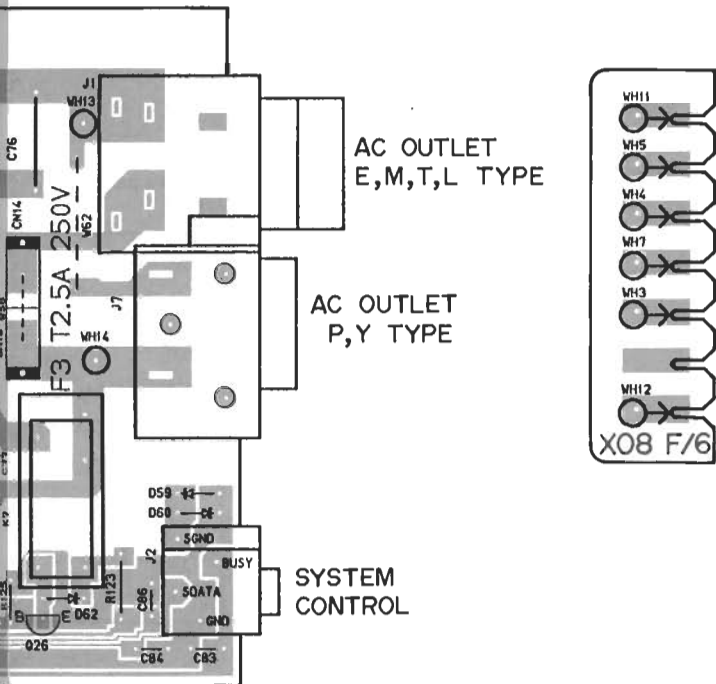


(E.L.P.X.T. TYPE)



PC BOARD (Component side view)





U

V

W

X

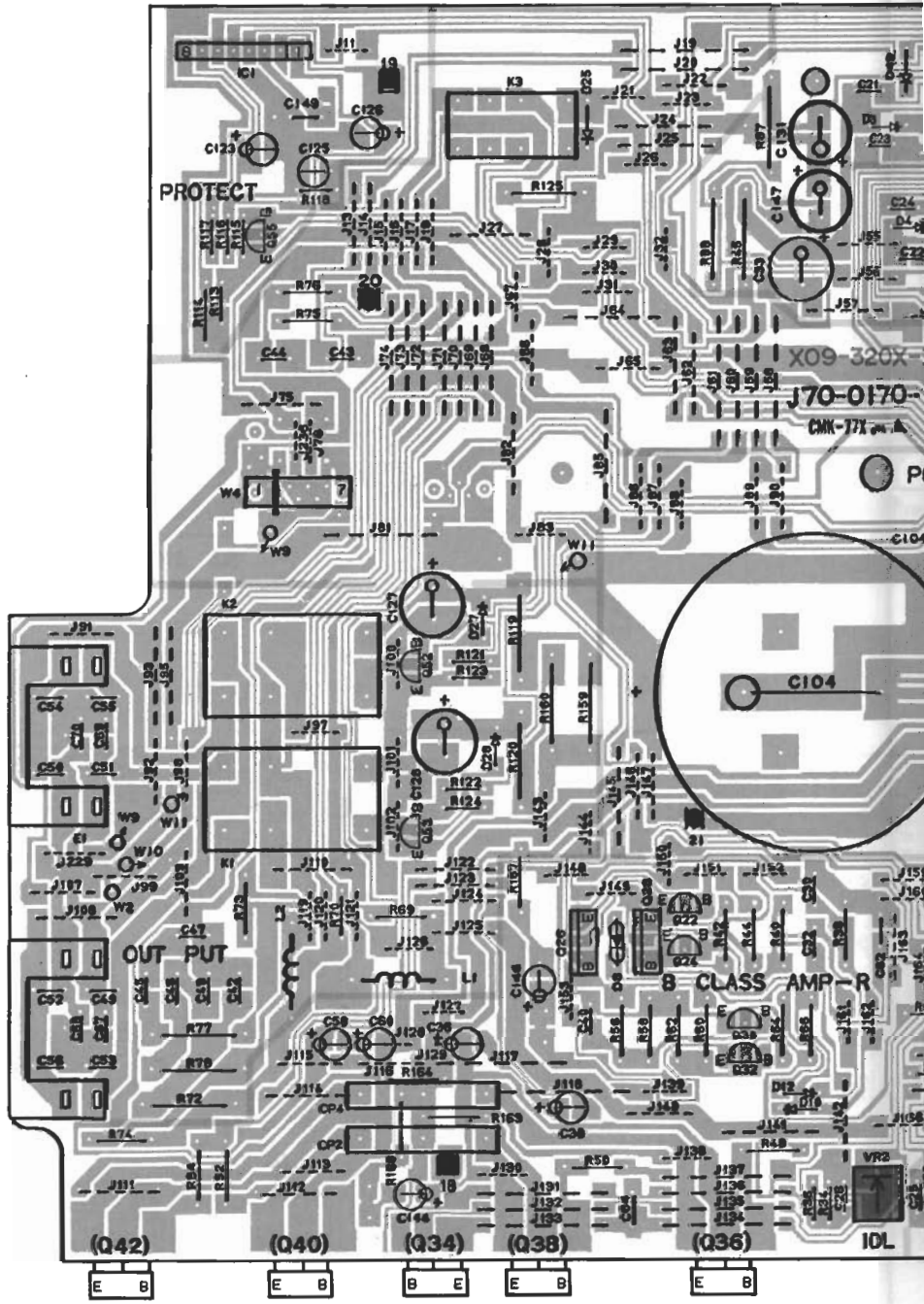
Y

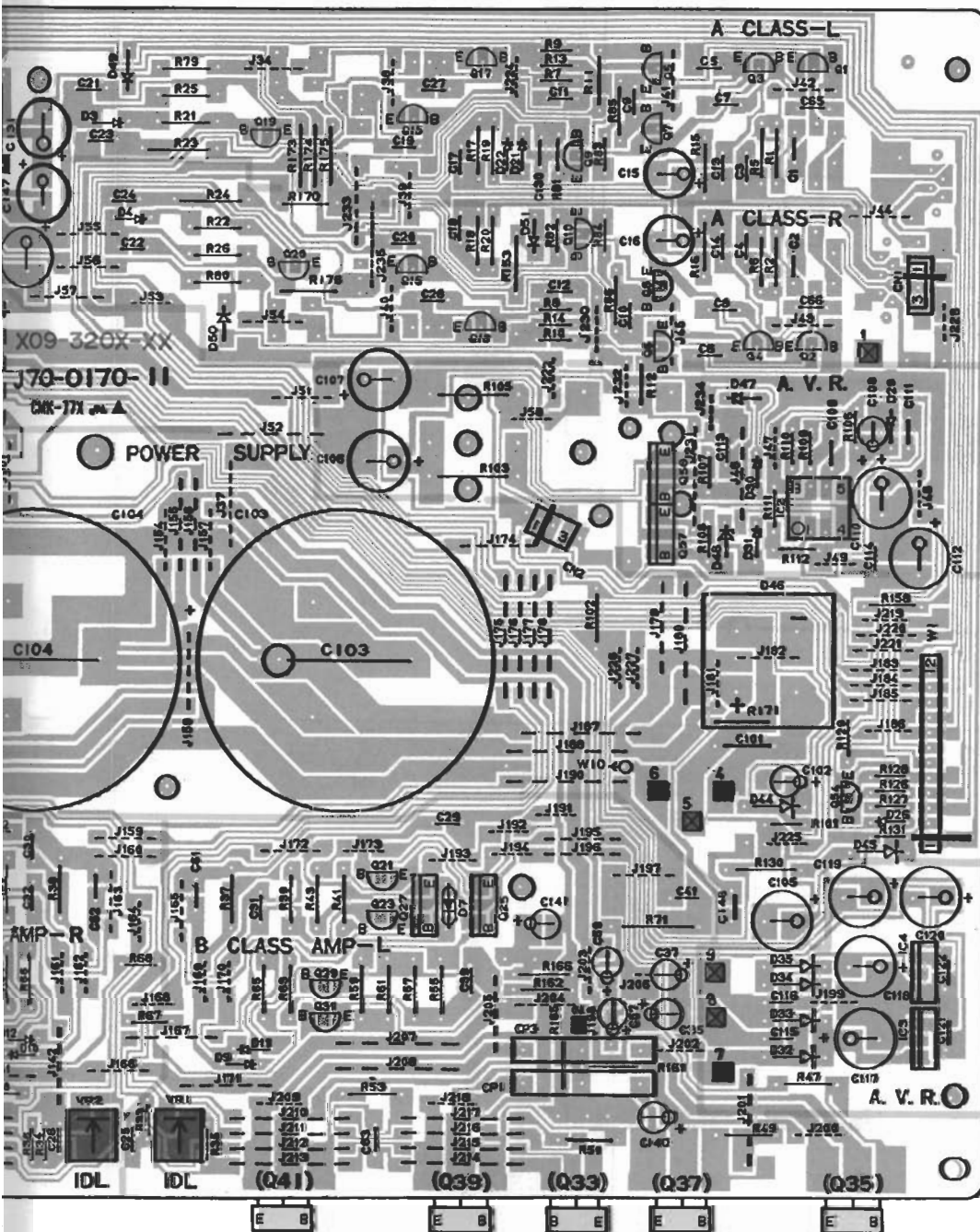
PC BOARD (Component side view)

1
2
3
4
5
6
7

SPEAKER R

SPEAKER L

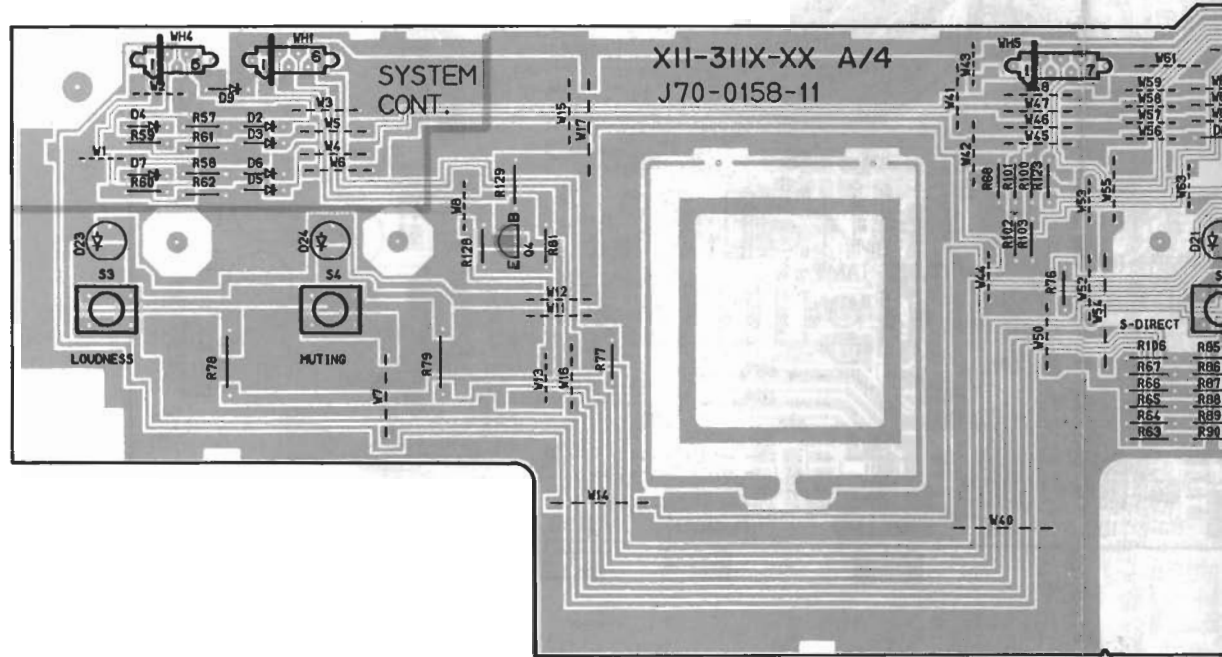
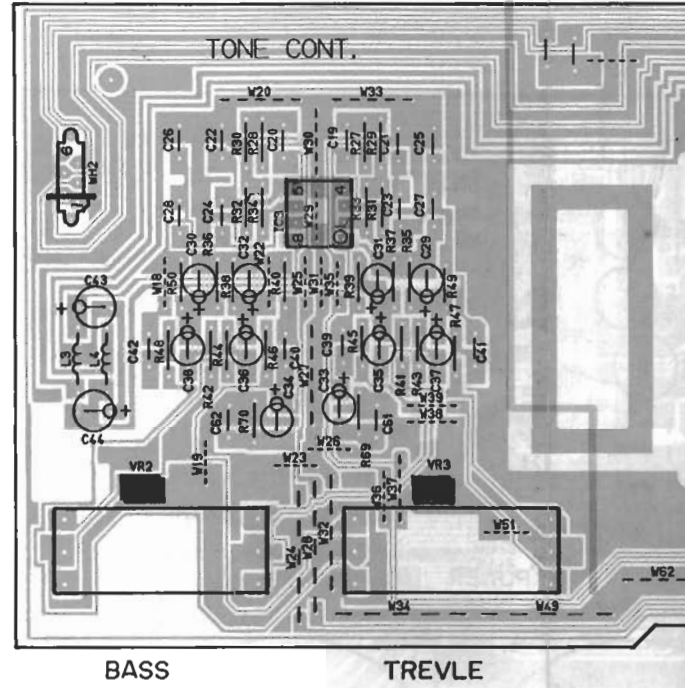
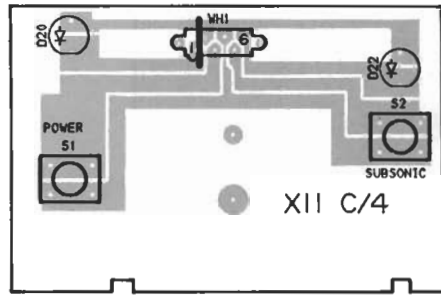
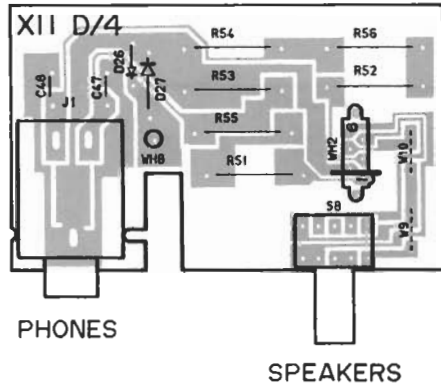


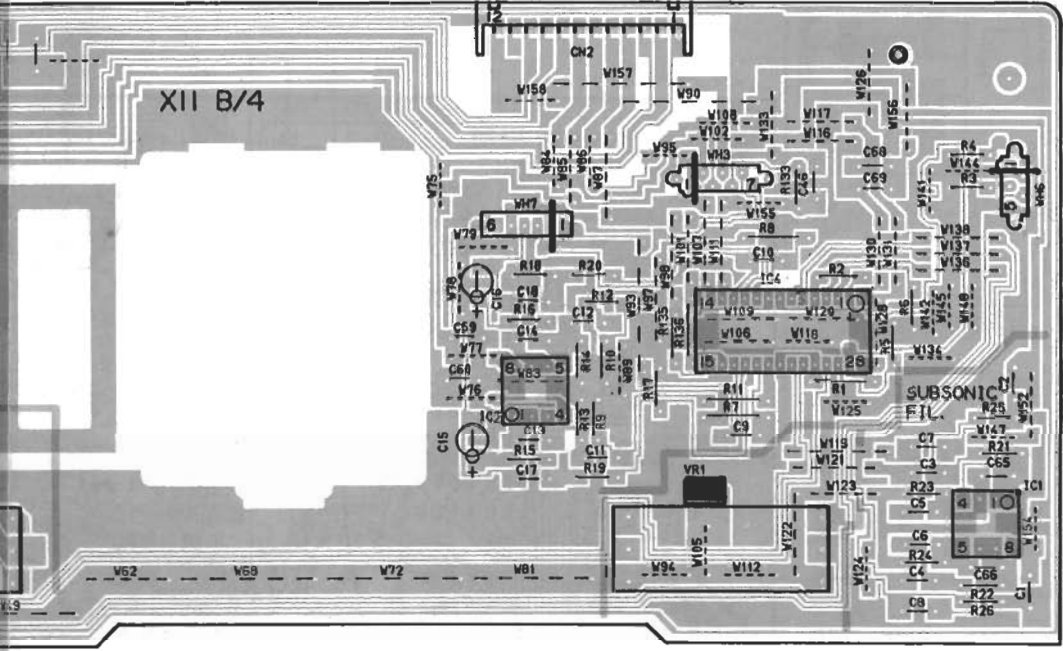


Refer to the schematic diagram for the values of resistors and capacitors.

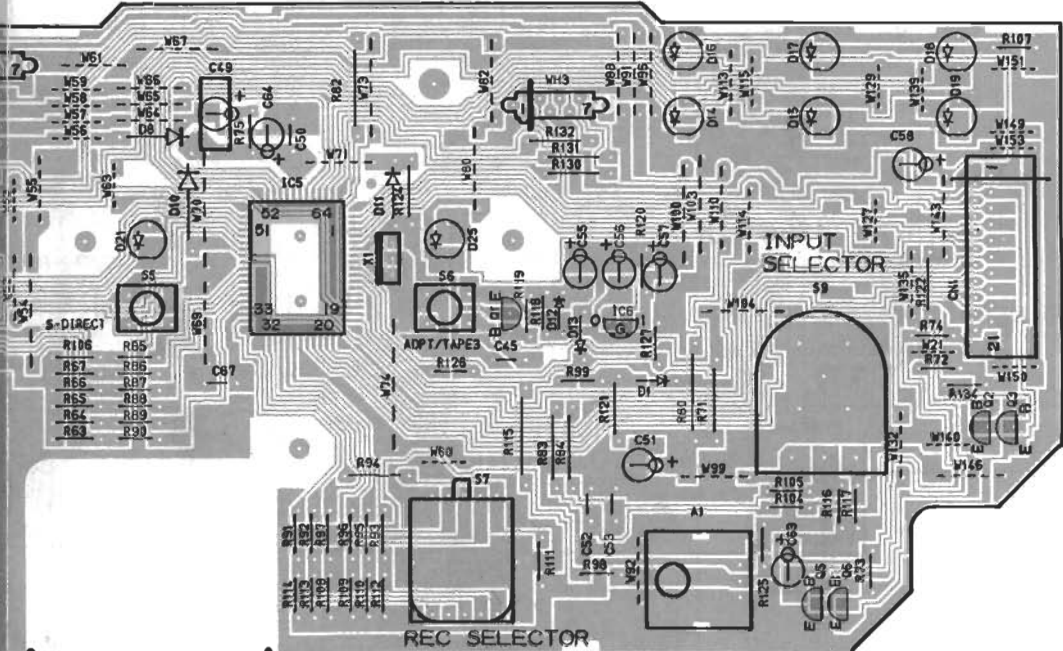
PC BOARD (Component side view)

CONTROL UNIT





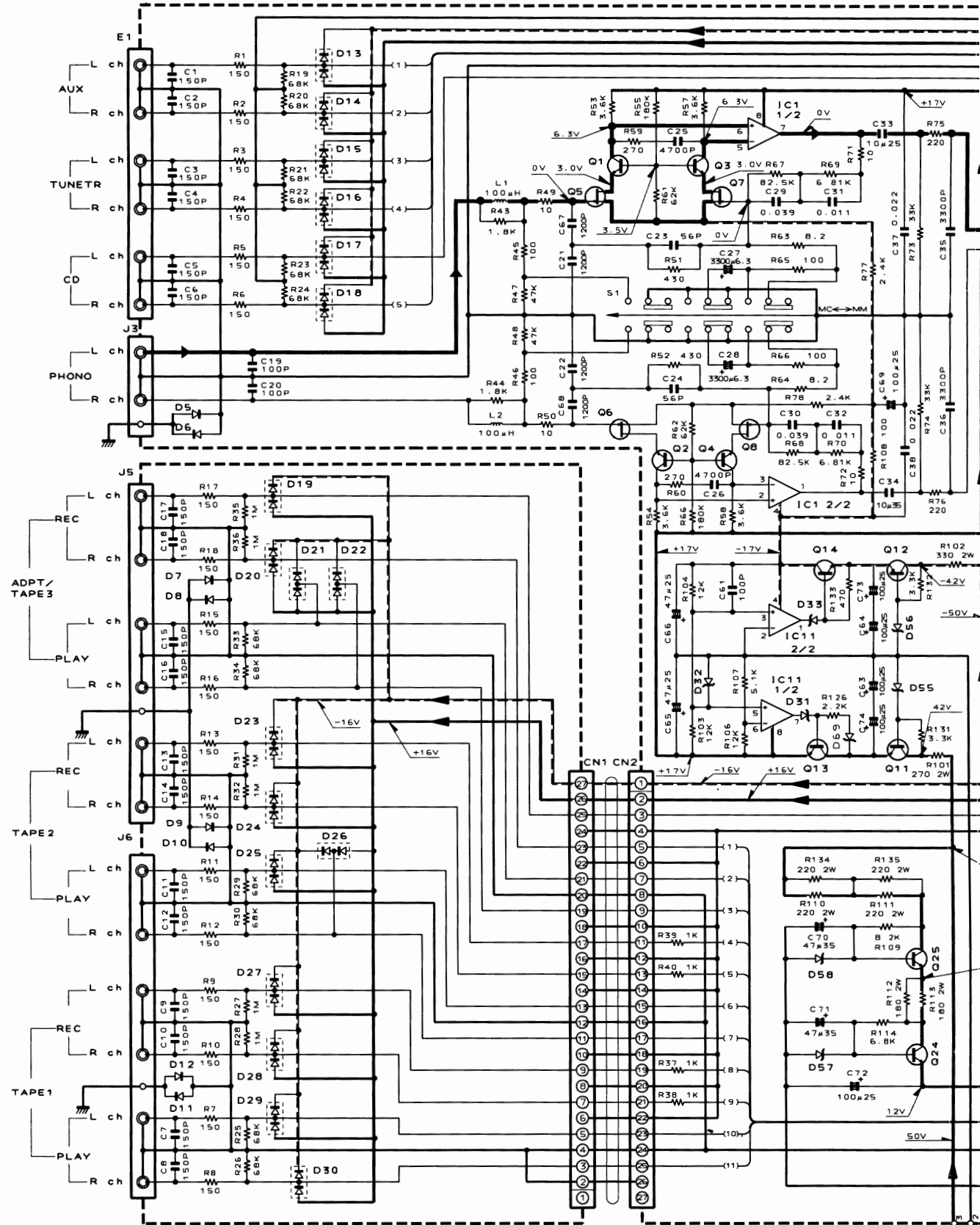
BALANCE



REC SELECTOR

INPUT SELECTOR

X08-246X-XX A/6



X08- C/6

DC voltages are as measured with a high impedance voltmeter with no signal input. Values may vary slightly due to variations between individual instruments or/and units.

Les tensions c.c. doivent être mesurées avec un voltmètre à haute impédance sans signal d'entrée. Les valeurs peuvent différer légèrement du fait des variations inhérentes aux appareils et aux instruments de mesure individuels.

Die angegebenen Gleichspannungswerte wurden mit einem hochohmigen Spannungsmesser ohne Eingangssignal gemessen. Dabei schwanken die Meßwerte aufgrund von Unterschieden zwischen einzelnen Instrumenten oder Geräten u. U. geringfügig.

CAUTION: For continued safety, replace safety critical components only with manufacturer's recommended parts (refer to parts list). **⚠** Indicates safety critical components. To reduce the risk of electric shock, leakage-current or resistance measurements shall be carried out (exposed parts are acceptably insulated from the supply circuit) before the appliance is returned to the customer.

2

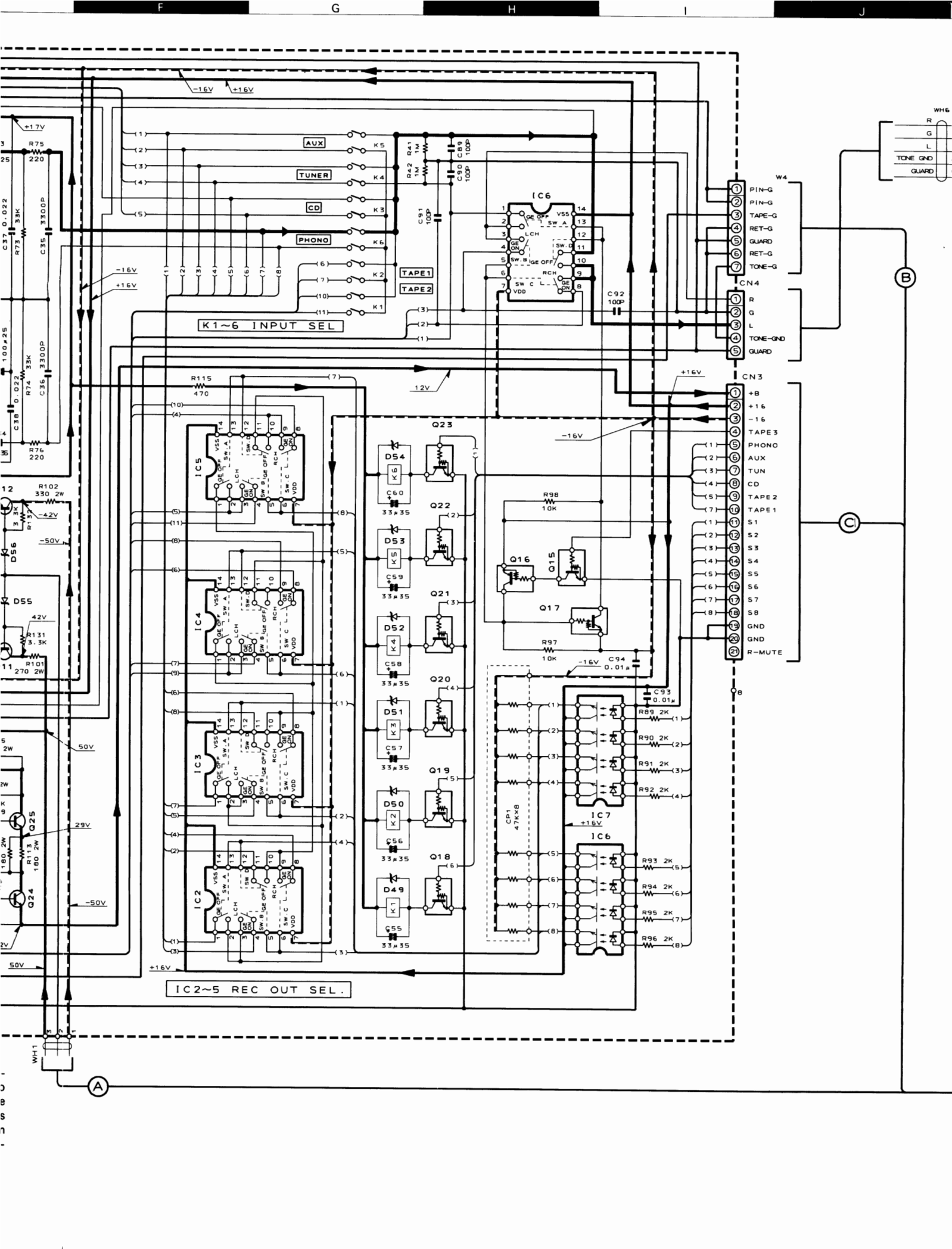
3

4

5

6

WH1



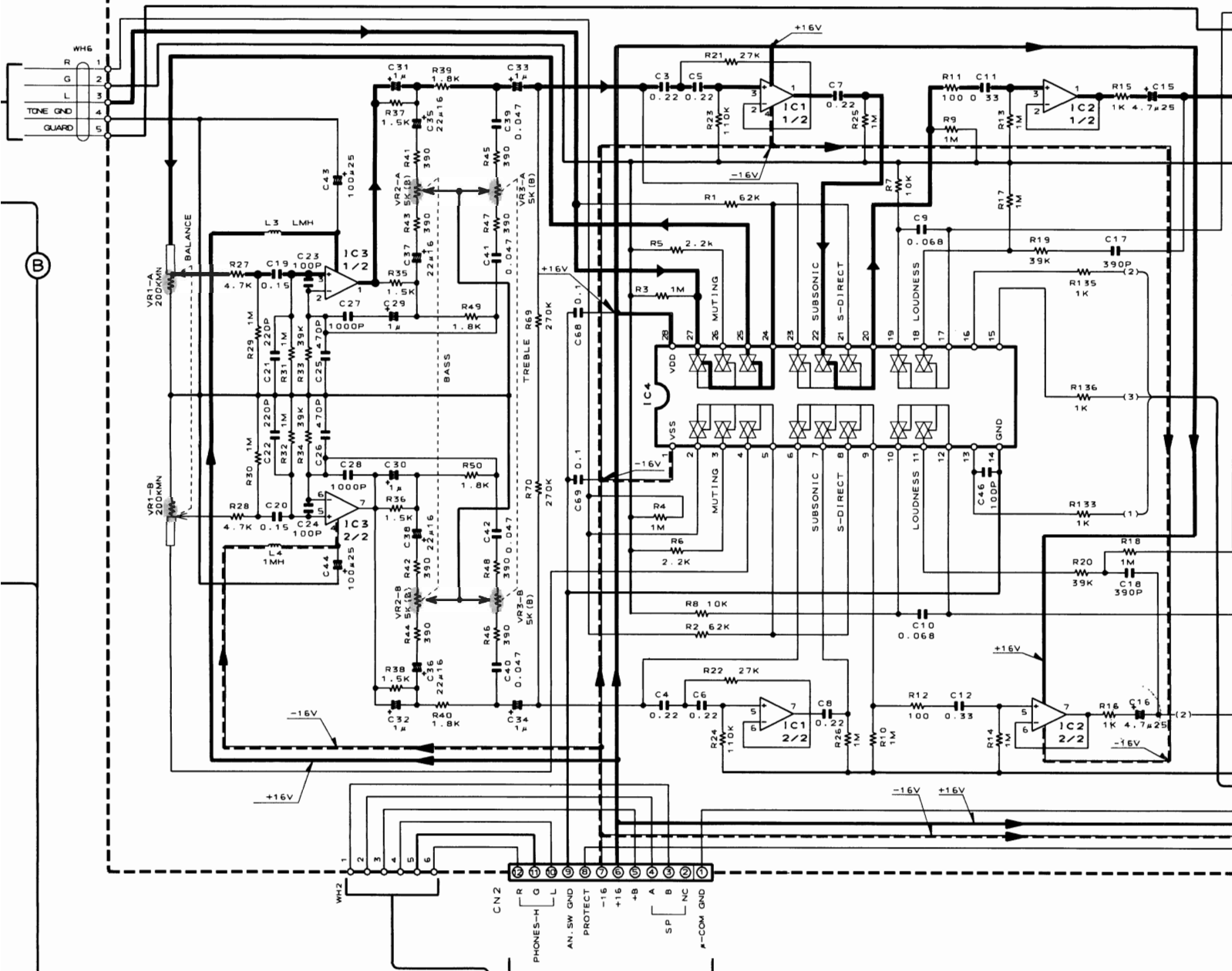
R
G
L
TONE GND
GUARD

(B)

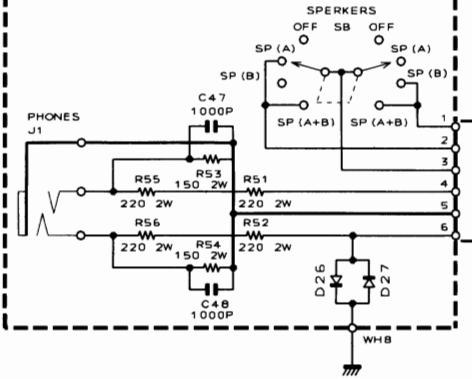
(C)

(A)

X11-311X-XX B/4



X11 D/4

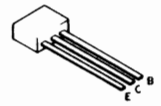
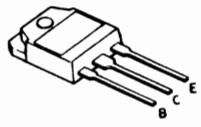
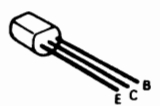


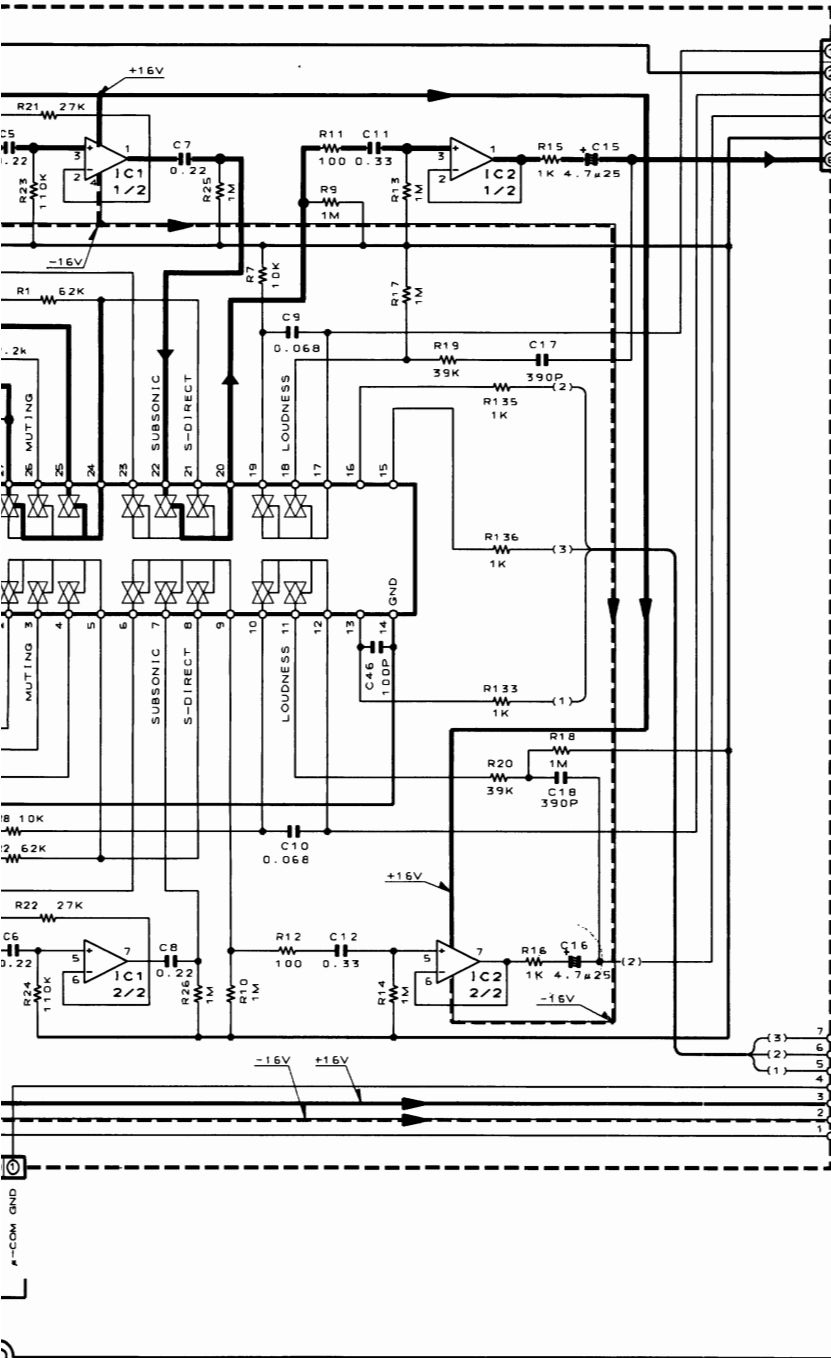
- X08-246X-XX
- IC1 : NJM4565D-D
- IC2-6 : LC4966
- IC7, 8 : ON3134
- IC9 : TA8409S
- IC10 : UPC7805HF or TA7805S
- IC11 : NJM4558D
- Q1-4 : 2SC1845 (F. E)
- Q5-8 : 2SK170 (BL) or 2SK170 (V)
- Q11, 13, 14 : 2SC2590 (Q. R)
- Q12 : 2SA1110 (Q. R)
- Q15, 17-23 : DTC124ES or UN4212
- Q16 : DTA124ES or UN4112
- Q24, 25 : 2SD1266 (Q. P)
- Q26 : 2SC1740S (Q. R) or 2SC3311A (Q. R)
- Q27, 28 : 2SC2878 (B)

- 2SA1123
- 2SA1124
- 2SA733 (A)
- 2SA992
- 2SC1845
- 2SC2631
- 2SC2632
- 2SC2878

- 2SA1694LB*5
- 2SC4467LB*5

- UN4212
- 2SC3311A



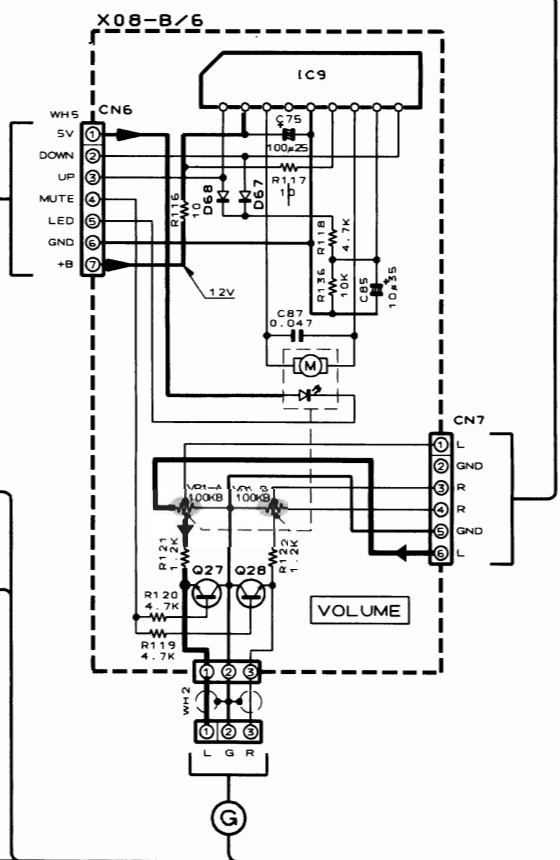


X09-320X-XX

COUNTRY	ABB.	UNIT NAME
EUROPE	E	
EUROPE	Y	
GENERAL MARKET	M	2-73
AUSTRALIA	X	
ENGLAND	T	
NORTHERN EUROPE	L	2-74
CANADA	P	1-02

X08-246X-XX

COUNTRY	ABB.	UNIT NAME
EUROPE	E	2-70
CANADA	P	1-01
EUROPE	Y	2-91
GENERAL MARKET	M	0-21
AUSTRALIA	X	0-71
ENGLAND	T	0-51



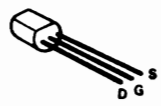
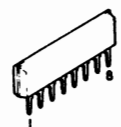
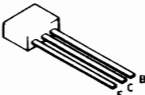
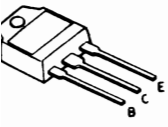
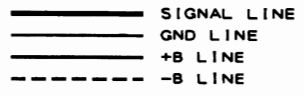
X08-246X-XX

- IC1 : NJM4565D-D
- IC2~6 : LC4966
- IC7, 8 : ON3134
- IC9 : TAB409S
- IC10 : UPC7805HF or TA7805S
- IC11 : NJM4558D
- Q1~4 : 2SC1845 (F.E)
- Q5~8 : 2SK170 (BL) or 2SK170 (V)
- Q11, 13, 14 : 2SC2590 (Q.R)
- Q12 : 2SA1110 (Q.R)
- Q15, 17~23 : DTC124ES or UN4212
- Q16 : DTA124ES or UN4112
- Q24, 25 : 2SD1266 (Q.P)
- Q26 : 2SC1740S (Q.R) or 2SC3311A (Q.R)
- Q27, 28 : 2SC2878 (B)

- D1 : 1SS131 or HSS104R
- D2~13, 26, 27 : 1SS133 or HSS104
- D13~30 : MA177
- D31 : RD20JS (B) or HZS20S (B)
- D32 : RD5.1JS (B2) or HZS5.1S (B2)
- D33 : RD20JS (B) or HZS20S (B)
- D49~54 : RD11ES (B2) or HZS11N (B2)
- D49~54 : RD11ES (B2) or HZS11N (B2)
- D55, 56, 58 : RD30ES (B) or HZS30N (B)
- D57 : RD13ES (B2) or HZS13N (B2)

- D62 : 1SS131 or HSS104A
- D63~66 : S5688B
- D69 : RD3.9ES (B) or HZS3.9

- X11-311X-XX**
- IC1, 3 : NJM4565D-D
 - IC2 : NJM4580D-D
 - IC4 : TC9163N



2SA1694LB*5
2SC4467LB*5

UN4212
2SC3311A

UPC1237HA

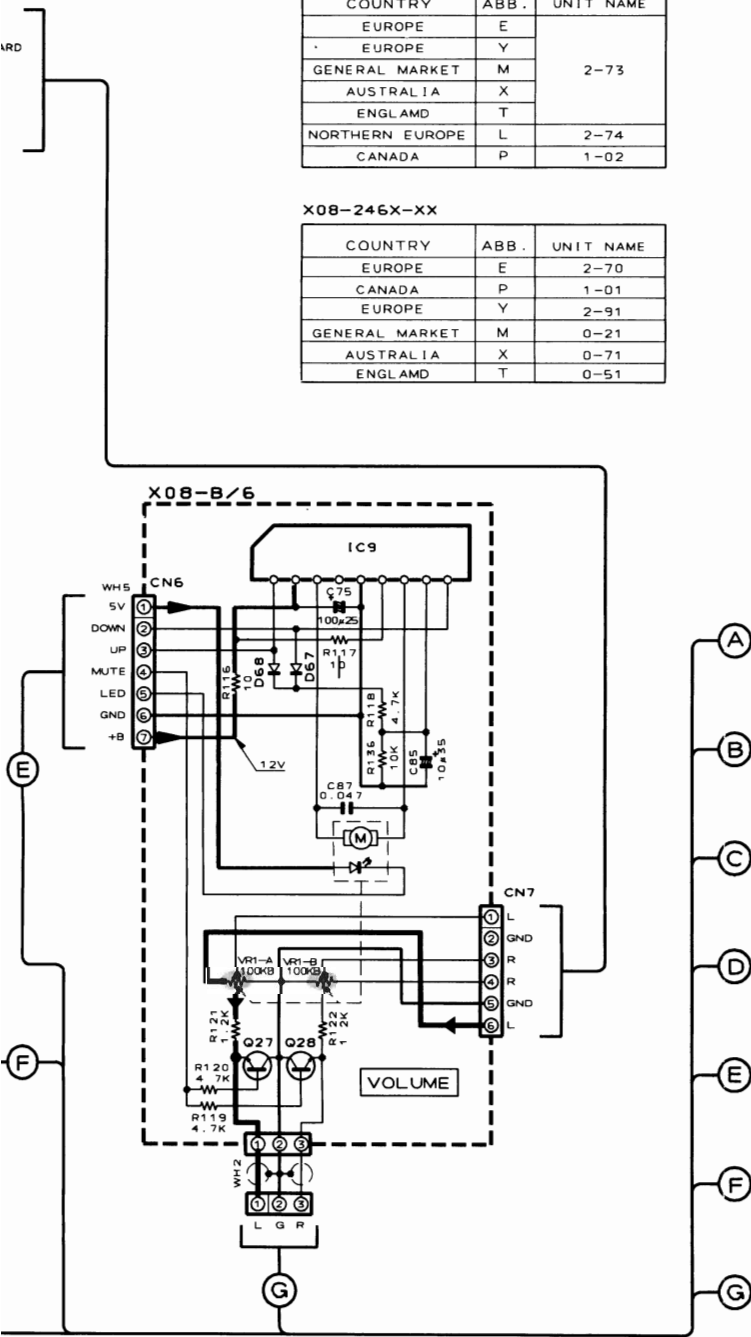
2SK170

X09-320X-XX

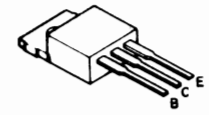
COUNTRY	ABB.	UNIT NAME
EUROPE	E	2-73
EUROPE	Y	
GENERAL MARKET	M	
AUSTRALIA	X	
ENGLAMD	T	2-74
NORTHERN EUROPE	L	
CANADA	P	1-02

X08-246X-XX

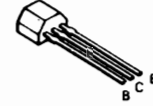
COUNTRY	ABB.	UNIT NAME
EUROPE	E	2-70
CANADA	P	1-01
EUROPE	Y	2-91
GENERAL MARKET	M	0-21
AUSTRALIA	X	0-71
ENGLAMD	T	0-51



2SA1110
2SC2590



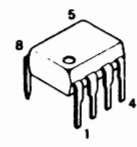
2SD1266



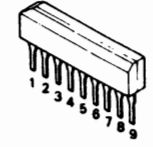
DTA124ES 2SA933S
DTC124ES 2SC1740S
UN4112



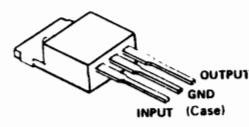
2SA1535
2SB941
2SC3944



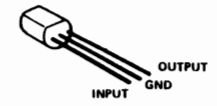
NJM4558D
NJM4565D
NJM4565D-D



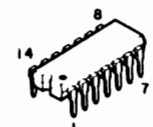
TA8409S



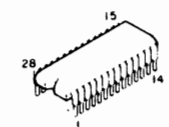
UPC7805HF



PST529D



LC4966



TC9163N

S131 or HSS104R

S133 or HSS104

20JS (B) or HZS20S (B)

5.1JS (B2) or

HZS5.1S (B2)

20JS (B) or HZS20S (B)

11ES (B2) or

HZS11N (B2)

11ES (B2) or

HZS11N (B2)

30ES (B) or HZS30N (B)

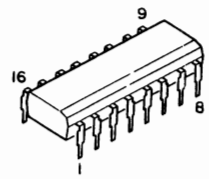
13ES (B2) or

HZS13N (B2)

D62 : 1SS131 or HSS104A
D63~66 : S5688B
D69 : RD3.9ES (B) or HZS3.9N (B)

X11-311X-XX
IC1, 3 : NJM4565D-D
IC2 : NJM4580D-D
IC4 : TC9163N

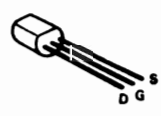
— SIGNAL LINE
— GND LINE
— +B LINE
- - - -B LINE



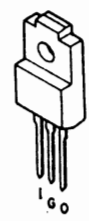
ON3134



UPC1237HA



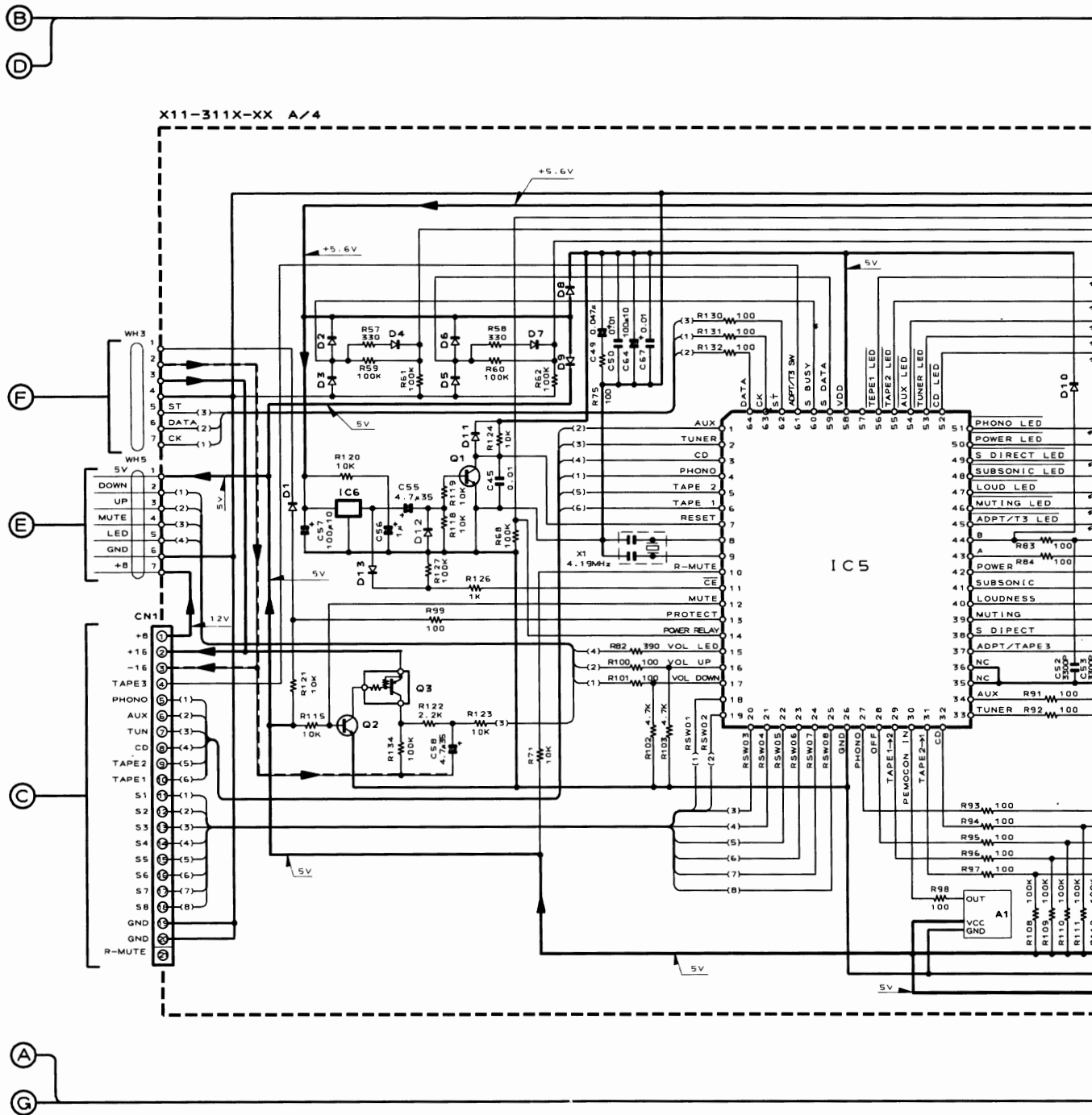
2SK170



TA7805S

Y08-442-70

KA-5040R
KENWOOD



X11-311X-XX

IC5 : PD75104GF-77B
 IC6 : PST529D

Q1, 2 : 2SC17405 (Q, P)
 or 2SC3311A (Q, R)
 Q3, 4 : DTA124ES OR UN4112

D1 : 1SS131 or HSS104A
 D2~13, 26, 27 : 1SS133 or HSS104
 D14~25 : B30-1291-05

X09-320X-XX

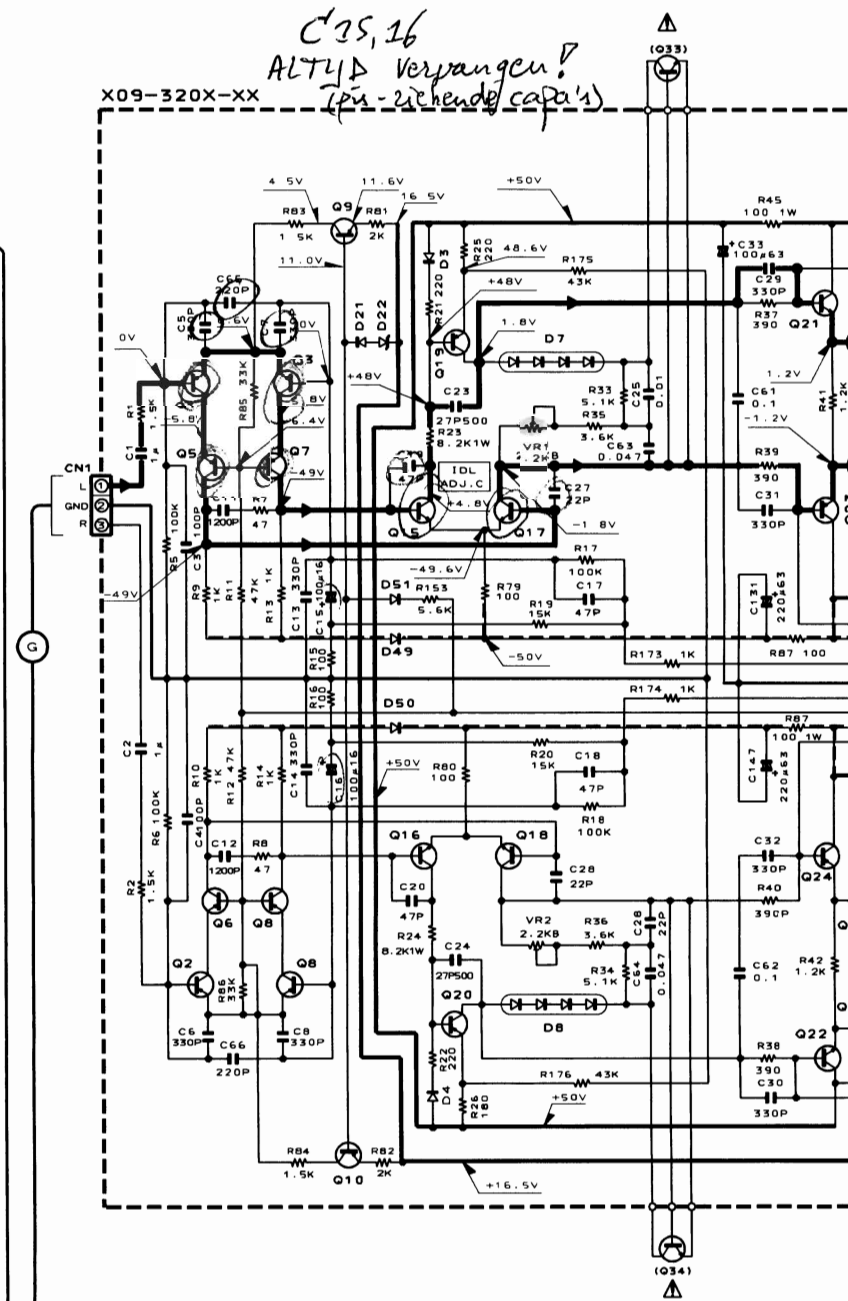
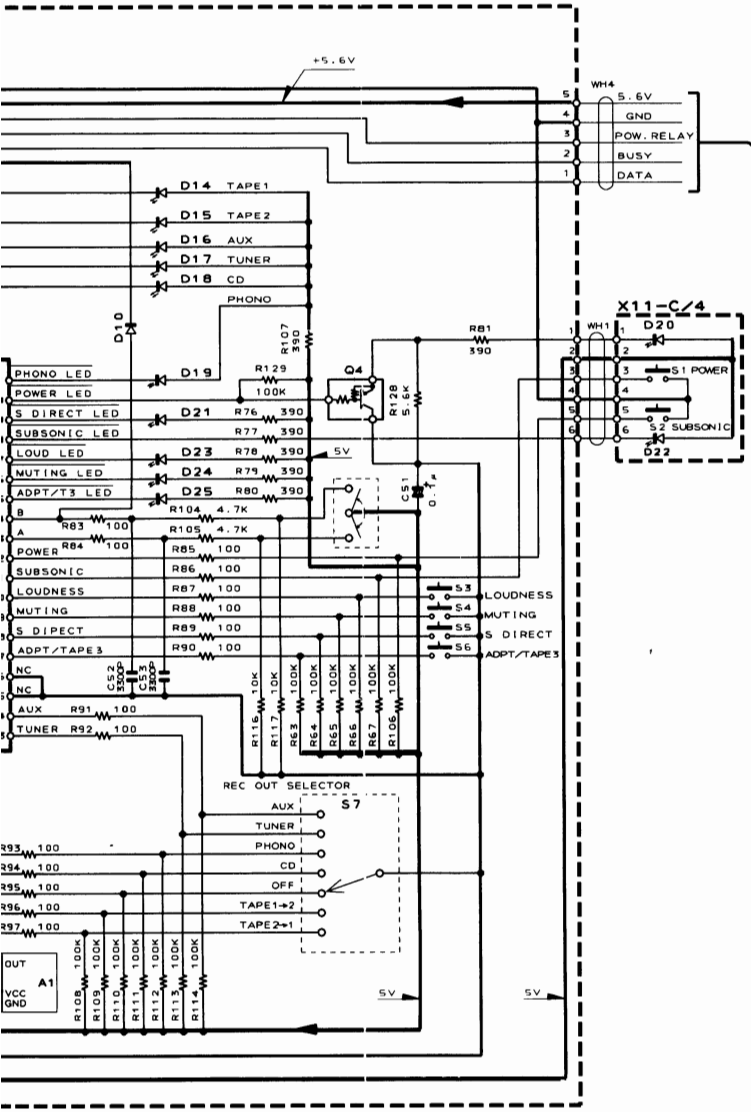
IC1 : UPC1237HA
 IC2 : NJM4565D

Q1~8, 31, 32, 55 : 2SA992 (F, E)
 Q9, 10, 54 : 2SA733 (A) (Q, P)
 or 2SA9335 (C)
 Q15~18 : 2SC2632 (R, S)
 Q19, 20 : S12SA1124 (R, S)
 Q21, 22 : 2SC2631 (R, S)
 Q23, 24 : 2SA1123 (R, S)
 Q25, 26 : 2SC3944 (R, S)
 Q27, 28 : 2SA1535 (R, S)
 Q29, 30, 52, 53 : 2SC1845 (F, E)
 Q56 : 2SD1266 (Q, P)
 Q57 : 2SB941 (Q, P)

Indien stuk
→ Verang de 4/2SA992's (inde bouw)

↓ KPMU...
O = vcrang

C35, 16
ALTYD Verangen!
(p.u. - ziehende caps)



- 2SA992 (F, E)
- 2SA733 (A) (Q, P)
- or 2SA933S (Q, R)
- 2SC2632 (R, S)
- 312SA1124 (R, S)
- 2SC2631 (R, S)
- 2SA1123 (R, S)
- 2SC3944 (R, S)
- 2SA1535 (R, S)
- 2SC1845 (F, E)
- 2SD1266 (Q, P)
- 2SB941 (Q, P)
- D3, 4, 21, 26, 49, 50, 51 : HSS104 or 1SS133
- D7, 8 : MA270 (A)
- D9~12, 25, 27, 28 : HSS104A or 1SS131
- D22, 29 : RD5, 1JS (B2) OR HZS5, 1S (B2)
- D30, 31, 47, 48 : RD6, 8ES (B2) or HZS6, 8N (B2)
- D44 : S56088
- D46 : D5FB20*1

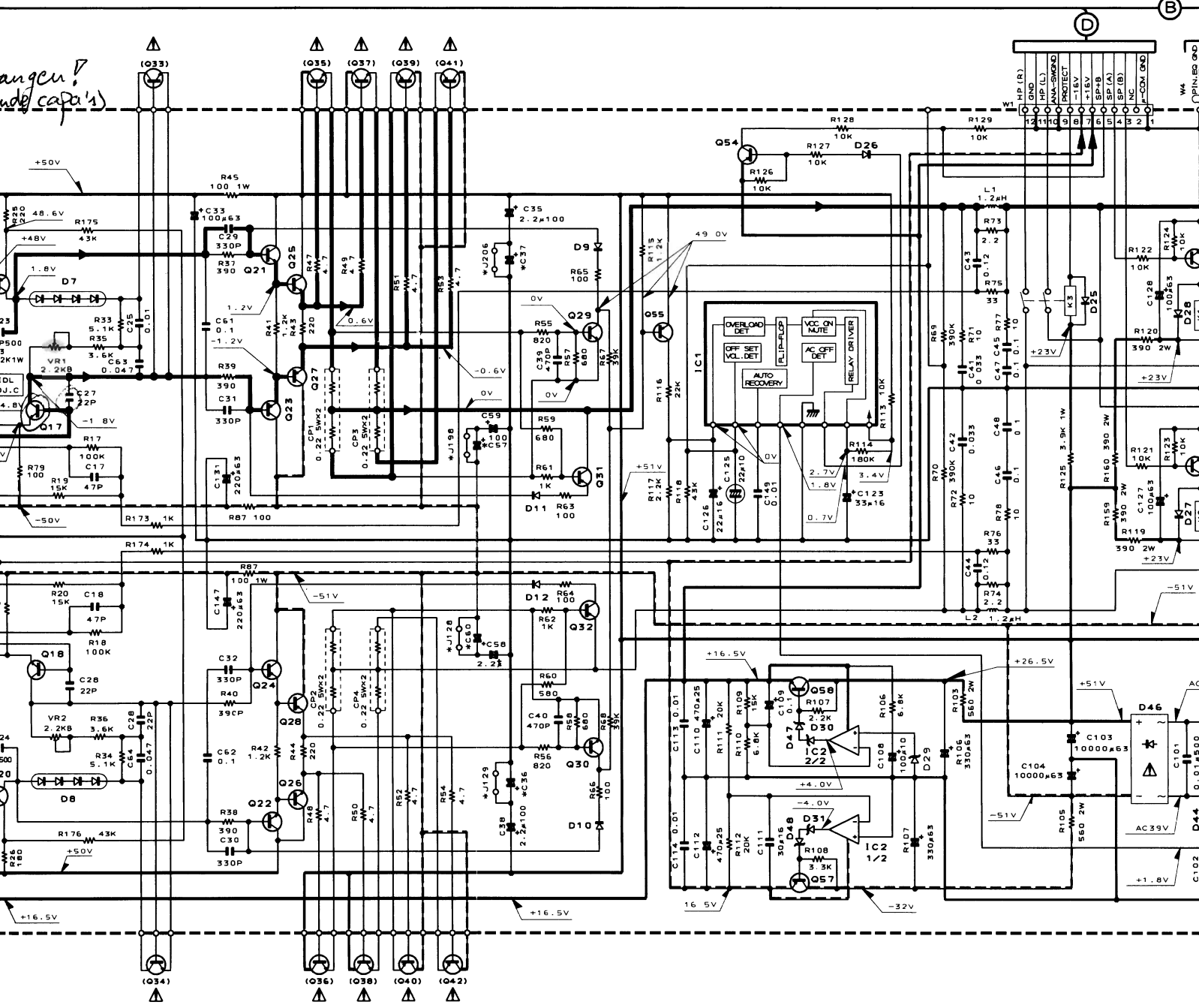
X09-320X-XX

COUNTRY	ABB.	UNIT NAME	ANEP. NO	C36, 37, 57, 60	J128, 129, 198, 206
EUROPE	E	2-73	NO		YES
EUROPE	Y				
GENERAL MARKET	M				
AUSTRALIA	X	2-74			
ENGLAND	T				
NORTHERN EUROPE	L	1-02	2.2*100		NO
CANADA	P				

X08-246X-XX

COUNTRY	ABB.	UNIT NAME	ANEP. NO	C36, 37, 57, 60	J128, 129, 198, 206
EUROPE	E	2-73	NO		YES
CANADA	X				
EUROPE	Y				
GENERAL MARK	M	2-74			
AUSTRALIA	X				
ENGLAND	T	1-02	2.2*100		NO

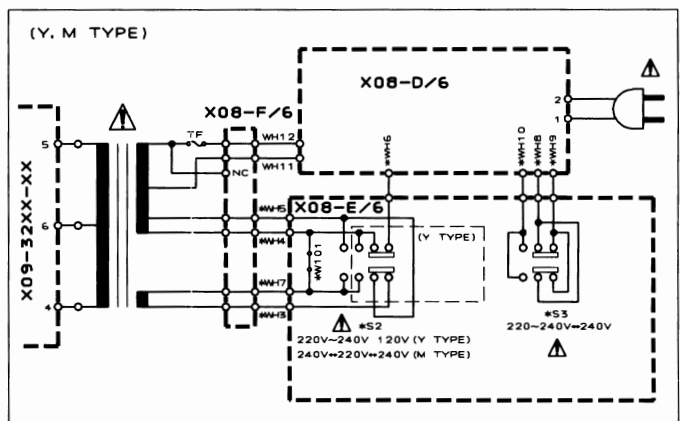
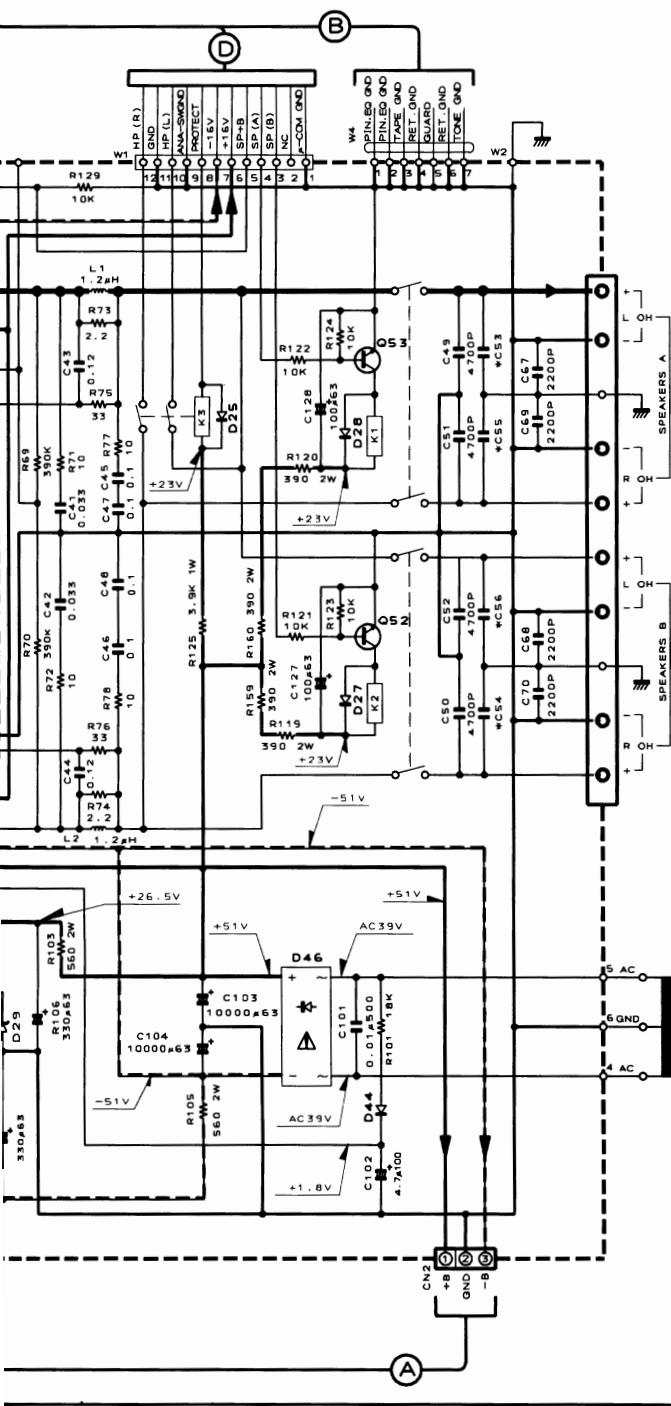
1
 'A992' (under board)
 U.S.A. ○ = voltage



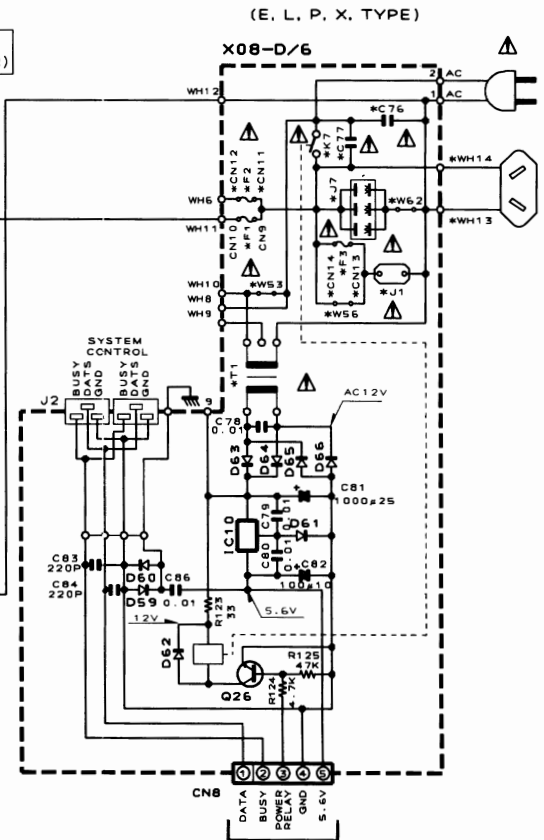
X08-246X-XX

COUNTRY	ABB.	UNIT NAME	AREF. NO	W53	W56	W62	W1 01	J1...	J7	F1	F2	F3	T1	CN11, 12	CN13, 14	C76.
				YES	NO	NO	NO									
EUROPE	E	2-70		YES	NO	NO	NO	E03-0108-05	NO	F05-3121-05 T3.15A 250V	NO	F05-2528-05 T2.5V 250V	L01-7653-05	NO	YES	C91-143 or C91-14
CANADA	P	1-01		YES	NO	YES	NO	NO	E03-0111-05	F04-5022-05 5A 125V	NO	NO	L01-7651-05	NO	NO	C91-095
EUROPE	Y	2-91		NO	NO	YES	YES	NO	E03-0111-05	F05-3121-05 T3.15A 250V	F05-3121-05 T3.15A 250V	NO	L01-7653-05	YES	NO	C91-142
GENERAL MARKET	M	0-21		NO	YES	NO	NO	E03-0108-05	NO	F05-3121-05 T3.15A 250V	F05-3121-05 T3.15A 250V	NO	L01-7653-05	YES	NO	C91-142
AUSTRALIA	X	0-71		YES	NO	NO	NO	NO	NO	F05-3121-05 T3.15A 250V	NO	NO	L01-7657-05	NO	NO	C91-142
ENGLAND	T	0-51		YES	YES	NO	NO	E03-0109-05	NO	F05-3121-05 T3.15A 250V	NO	NO	L01-7657-05	NO	NO	C91-142

J128, 129, 198, 206	
YES	
NO	

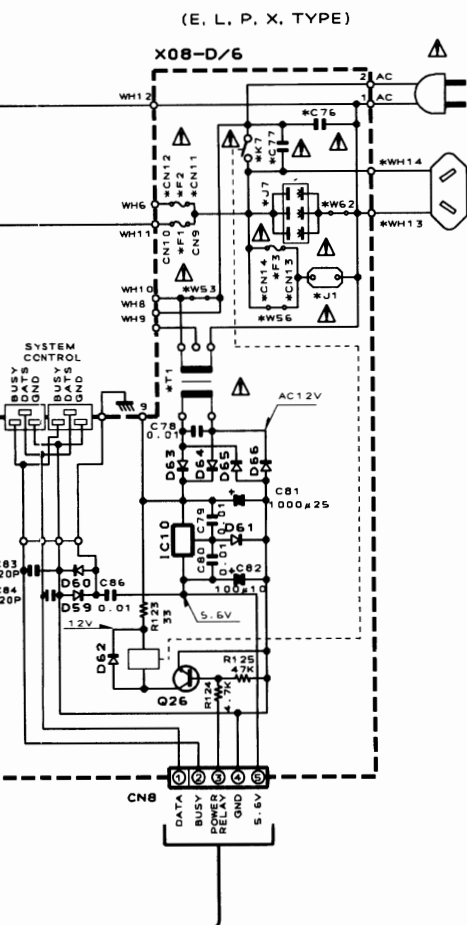
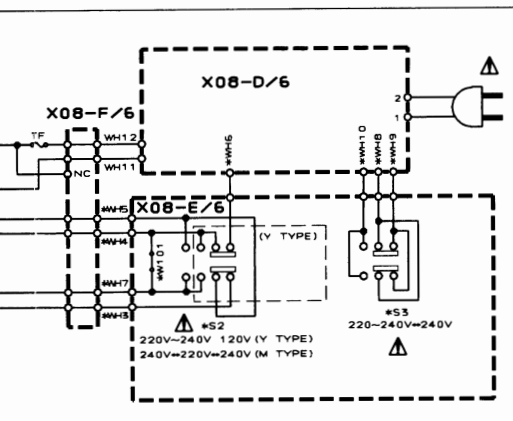


OUT PUT
25.3V (8Ω)



F3	T1	CN11, 12	CN13, 14	C76, 77	WH3-6, 8-10	WH7	S2	S3	K7	X08-E/6, F/6	WH13, 14
NO	L01-7653-05	NO	YES	C91-1439-05	NO	NO	NO	NO	S51-1052-05	NO	NO
NO	L01-7651-05	NO	NO	C91-0971-05	NO	NO	NO	NO	S76-0002-05	NO	NO
NO	L01-7653-05	YES	NO	C91-1421-05	YES	NO	C62-0001-05	S31-2131-05	S76-0002-05	YES	NO
NO	L01-7653-05	YES	NO	C91-1421-05	YES	YES	S31-2322-05	S31-2131-05	S76-0002-05	YES	NO
NO	L01-7657-05	NO	NO	C91-1421-05	NO	NO	NO	NO	S51-1052-05	NO	YES
NO	L01-7657-05	NO	NO	C91-1421-05	NO	NO	NO	NO	S51-1052-05	NO	NO

SIGNAL LINE
 GND LINE
 +B LINE
 -B LINE



X08-E/6	X08-F/6	WH13, 14
NO	NO	NO
NO	NO	NO
YES	NO	NO
YES	NO	NO
NO	YES	NO
NO	NO	NO

DC voltages are as measured with a high impedance voltmeter with no signal input. Values may vary slightly due to variations between individual instruments or/and units.

Les tensions c.c. doivent être mesurées avec un voltmètre à haute impédance sans signal d'entrée. Les valeurs peuvent différer légèrement du fait des variations inhérentes aux appareils et aux instruments de mesure individuels.

Die angegebenen Gleichspannungswerte wurden mit einem hochohmigen Spannungsmesser ohne Eingangssignal gemessen. Dabei schwanken die Meßwerte aufgrund von Unterschieden zwischen einzelnen Instrumenten oder Geräten u. U. geringfügig.

CAUTION: For continued safety, replace safety critical components only with manufacturer's recommended parts (refer to parts list). ⚠ Indicates safety critical components. To reduce the risk of electric shock, leakage-current or resistance measurements shall be carried out (exposed parts are acceptably insulated from the supply circuit) before the appliance is returned to the customer.

PARTS LIST

No. 2

✱ New Parts
Parts without Parts No. are not supplied.
Les articles non mentionnés dans le Parts No. ne sont pas fournis.
Teile ohne Parts No. werden nicht geliefert.

Ref. No. 参照番号	Address 位置	New Parts 新部品	Parts No. 部品番号	Description 部品名 / 規格	Desti- nation 向	Re- marks 備考
645	1D		N08-0129-35	BINDING POST (EARTH)		
A	2D		N09-0333-05	TAPPING SCREW (3X12)		
B	1D		N09-1280-05	TAPTITE SCREW (M3X8)		
C	2A, 2B		N09-1445-05	SET SCREW (M3X8)		
D	2C, 1D		N09-1777-05	TAPTITE SCREW		
E	1A		N09-2768-05	TAPTITE SCREW (4X8)		
F	1C		N29-0268-05	PUSH RIVET		
G	1A, 1D		N89-3008-45	BINDING HEAD TAPTITE SCREW		
H	2B		N89-3008-46	BINDING HEAD TAPTITE SCREW		
J	3C		N89-4010-45	BINDING HEAD TAPTITE SCREW		
033, 34			25C4137E19(V, W)	TRANSISTOR		
035, 38			25C4467LB*5	TRANSISTOR		
039, 42			25A1694LB*5	TRANSISTOR		
PRE-AMPLIFIER UNIT (X08-246X-XX)						
C1, 18			CF92FV1H151K	MF 150PF	K	
C19, 20			CF92FV1H101K	MF 100PF	K	
C21, 22			CF92FV1H122J	MF 1200PF	J	
C23, 24			CC45FSLIH360J	CERAMIC	J	
C25, 26			CF92FV1H472J	MF 4700PF	J	
C27, 28			C90-1951-05	ALUMINIUM ELECTROLYTIC C.		
C29, 30			CF92FV1H393J	MF 0.039UF	J	
C31, 32			CF92FV1H113J	MF 0.011UF	J	
C33, 34		*	C90-1920-05	ELECTRO	J	
C35, 36			CF92FV1H332J	MF 3300PF	J	
C37, 38			CF92FV1H223J	MF 0.022UF	J	
C39, 40			CE04KW1V330M	ELECTRO 33UF 35WV		
C61, 64			CF92FV1H101K	MF 100PF	K	
C63, 64			CE04KW1E101M	ELECTRO 100UF 25WV		
C65, 66			CE04KW1E470M	ELECTRO 47UF 25WV		
C67, 68			CF92FV1H122J	MF 1200PF	J	
C69			CE04KW1E101M	ELECTRO 100UF 25WV		
C70			CE04KW1E470M	ELECTRO 47UF 35WV		
C71			CE04KW1E470M	ELECTRO 47UF 35WV		
C72, 75			CE04KW1E101M	ELECTRO 100UF 25WV		
C76, 77			C91-0971-05	FILM 0.01UF 250WV		
C76, 77			C91-1421-05	FILM 0.01UF 250AC		
C78, 80			CK45FF1H103Z	CERAMIC 0.010UF Z		
C81			CE04KW1E102M	ELECTRO 1000UF 25WV		
C82			CE04KW1A101M	ELECTRO 1000UF 10WV		
C83, 84			CC45FSLIH221J	CERAMIC 220PF J		
C85			CE04KW1V100M	ELECTRO 100UF 35WV		
C86			CK45FF1H103Z	CERAMIC 0.010UF Z		
C87			CK45FF1H473Z	CERAMIC 0.047UF Z		
C89, 92			CF92FV1H101K	MF 100PF	K	
C93, 94			CF92FV1H103J	MF 0.010UF	J	
J1			E03-0108-05	AC OUTLET		EML
J1			E03-0109-05	AC OUTLET		T
J2			E11-0188-05	MINIATURE PHONE JACK SYSTEM		
J3			E13-0294-05	PHONE JACK PHONO		
J4, 6			E13-0634-05	PHONE JACK 1/Ø TERMINAL		
J7			E03-0111-05	AC OUTLET		PY
F1			F04-5022-05	FUSE (UL) (125V 5A UL)		P
F1			F05-3121-05	FUSE (SEMKO) (250V T3.15A)		EXTL

No. 1

✱ New Parts
Parts without Parts No. are not supplied.
Les articles non mentionnés dans le Parts No. ne sont pas fournis.
Teile ohne Parts No. werden nicht geliefert.

Ref. No. 参照番号	Address 位置	New Parts 新部品	Parts No. 部品番号	Description 部品名 / 規格	Desti- nation 向	Re- marks 備考
KA-5040R						
601	1A	*	A01-2905-01	METALLIC CABINET		
602	2A	*	A60-0101-11	PANEL ASSY		
605	1B	*	X94-1000-00	REMOTE CONTROL ASSY		
606	1B	*	A09-0115-13	BATTERY COVER		
609	3B	*	B01-0482-01	PANEL ESCUTCHEON		
612	2A	*	B43-0287-04	KENWOOD BADGE		Y
-	-		B45-0094-03	WARRANTY CARD		Y
-	-		B46-0095-03	WARRANTY CARD		X
-	-		B46-0096-23	WARRANTY CARD		X
-	-		B46-0121-03	WARRANTY CARD		P
-	-		B46-0122-13	WARRANTY CARD		EL
-	-		B46-0143-13	WARRANTY CARD		T
-	-		B58-0513-04	CAUTION CARD		Y
-	-	*	B60-0555-00	INSTRUCTION MANUAL (ENGLISH)		
-	-	*	B60-0556-00	INSTRUCTION MANUAL (FRENCH)		EPL
-	-	*	B60-0557-00	INSTRUCTION MANUAL (CHINESE)		M
-	-	*	B60-0558-00	INSTRUCTION MANUAL (GE, DU, IT)		EL
-	-	*	B60-0665-00	INSTRUCTION MANUAL (SPANISH)		M
613	3C	*	D21-1658-03	EXTENSION SHAFT		
615	1B	*	E03-0115-05	AC PLUG ADAPTER		M
616	1D	*	E30-0459-05	AC POWER CORD		EML
616	1D	*	E30-0812-05	AC POWER CORD		Y
616	1D	*	E30-0974-05	AC POWER CORD		P
616	1D	*	E30-1341-05	AC POWER CORD		X
616	1D	*	E30-1416-05	AC POWER CORD		T
618	3C	*	E35-0147-05	FLAT CABLE (X08CN1-X08CN2) 27P		
619	2B, 3B	*	E35-0148-05	FLAT CABLE (X08CN3-X11CN1) 21P		
-	-	*	E03-0114-05	AC OUTLET		X
620	2A	*	G11-1372-04	SOFT TAPE		
-	-	*	H50-0126-04	ITEM CARTON CASE		
-	-	*	H10-5166-02	POLYSTYRENE FOAMED FIXTURE (L)		
-	-	*	H10-5167-02	POLYSTYRENE FOAMED FIXTURE (R)		
-	-	*	H25-0225-04	PROTECTION BAG (850X450X0.03)		EPYXKL
-	-	*	H25-0232-04	PROTECTION BAG (235X350X0.03)		EPYXKL
615		*	H25-0651-04	PROTECTION BAG (Ø232 PRINTED)		T
624		*	H25-0654-04	PROTECTION BAG (Ø225 PRINTED)		T
624	3C	*	J02-1072-05	F00T		
625	2D	*	J19-0581-05	UNIT HOLDER		
626	2B	*	J19-3328-15	UNIT HOLDER		
629	1D	*	J42-0083-05	POWER CORD BUSHING		
-	-	*	J61-0307-05	WIRE BAND		
630	3B	*	K29-3405-04	KNOB CARTRIDGE		
631	2A	*	K29-4210-03	KNOB POWER		
632	3A	*	K29-4213-04	KNOB ASSY MASTER VOLUME		
633	3A	*	K29-4212-04	KNOB INPUT SELECTOR		
634	3A	*	K29-4216-04	KNOB TONE, BAL, RECUT SEL		
640	1C	*	L07-0360-05	POWER TRANSFORMER		E
640	1C	*	L07-0361-05	POWER TRANSFORMER		P
640	1C	*	L07-0363-05	POWER TRANSFORMER		YM
640	1C	*	L07-0364-05	POWER TRANSFORMER		XT
640	1C	*	L07-0364-05	POWER TRANSFORMER		L

L:Scandinavia
K:USA
T:England
Y:AFES(Europe)
P:Canada
E:Europe
X:Australia
M:Other Areas
△ indicates safety critical components

PARTS LIST

No. 4

* New Parts
Parts without Parts No. are not supplied.
Les articles non mentionnés dans le Parts No. ne sont pas fournis.
Teile ohne Parts No. werden nicht geliefert.

Ref. No. 参照番号	Address 位置	Parts No. 部品番号	Description 部品名 / 規格	Desti- nation 仕	Re- marks 備考
D59 -61		HSS104	D100E		
D59 -61		ISS133	D100E		
D42		HSS104A	D100E		
D62		ISS131	D100E		
D63 -66		S5688B	D100E		
D67 ,68		HSS104	D100E		
D67 ,68		ISS133	D100E		
IC1		NJM45650-D	IC(OP AMP X2)		
IC2 -6		LC4966	IC(CMOS LOGIC BILATERAL SW)		
IC7 ,8		ON3134	IC(OPTICAL ISOLATOR)		
IC9		TAR409S	IC(MOTOR CONTROL)		
IC10		TA7805S	IC(VOLTAGE REGULATOR / +5V)		
IC10		UPC7805HF	IC(VOLTAGE REGULATOR / +5V)		
IC11		NJH4558D	IC(OP AMP X2)		
Q1 -4		R25C1740S(Q,R)	TRANSISTOR		
Q1 -4		2SC3311A(Q,R)	TRANSISTOR		
Q5 -8		2SK170(C,BL)	FET		
Q5 -8		2SK170(CV)	FET		
Q12		2SC2590(Q,R)	TRANSISTOR		
Q12		2SA1110(Q,R)	TRANSISTOR		
Q13 ,14		2SC2590(Q,R)	TRANSISTOR		
Q15		DT1C124ES	DIGITAL TRANSISTOR		
Q15		UN4212	DIGITAL TRANSISTOR		
Q16		DTA124ES	DIGITAL TRANSISTOR		
Q16		UN4112	DIGITAL TRANSISTOR		
Q17 -23		DTC124ES	DIGITAL TRANSISTOR		
Q17 -23		UN4212	DIGITAL TRANSISTOR		
Q24 ,25		2SD1266(O,P)	TRANSISTOR		
Q26		2SC1740S(Q,R)	TRANSISTOR		
Q26		2SC3311A(Q,R)	TRANSISTOR		
Q27 ,28		2SC2878(B)	TRANSISTOR		
AUDIO UNIT (X09-320X-XX)					
C1 ,2		CF92FV1H105J	MF 1.0UF J		
C3 ,4		CF92FV1H101K	MF 100PF K		
C5 -8		CF92FV1H331K	MF 330PF K		
C9 ,10		CF92FV1H105J	MF 1.0UF J		
C11 ,12		CF92FV1H122J	MF 1200PF J		
C13 ,14		CF92FV1H331K	MF 330PF K		
C15 ,16		C90-1917-05	ELECTRØ 100UF J		
C17 -20		CC45FSL1H470J	CERAMIC 47PF J		
C21 ,24		CC45FSL2H270J	CERAMIC 27PF J		
C25 ,26		CF92FV1H103J	MF 0.010UF J		
C27 ,28		CC45FSL1H220J	CERAMIC 22PF J		
C29 ,30		CF92FV1H331K	MF 330PF K		
C31		CE040W1J101W	ELECTRØ 100UF J		
C33		CE040W2A2R2M	ELECTRØ 2.2UF 100WV		EYMXTL
C35 -38		CE040W2A2R2M	ELECTRØ 2.2UF 100WV		
C39		CE040W2A2R2M	ELECTRØ 2.2UF 100WV		
C41 ,42		CF92FV1H333J	MF 0.033UF J		
C43 ,44		CF92FV1H124J	MF 0.12UF J		
C45 -48		CF92FV1H104J	MF 0.10UF J		
C49 -52		CF92FV1H472J	MF 4700PF J		
C53 -56		CF92FV1H561J	MF 5600PF J		

No. 3

* New Parts
Parts without Parts No. are not supplied.
Les articles non mentionnés dans le Parts No. ne sont pas fournis.
Teile ohne Parts No. werden nicht geliefert.

Ref. No. 参照番号	Address 位置	Parts No. 部品番号	Description 部品名 / 規格	Desti- nation 仕	Re- marks 備考
F1 ,2		F05-3121-05	FUSE (SEMØ) (250V T3.15A)	YM	
F3		F05-2525-05	FUSE (SEMØ) (250V T2.5A)	EL	
CN9 -12		J13-0075-05	FUSE CLIP	YM	
CN9 ,10		J13-0075-05	FUSE CLIP	EPXTL	
CN13,14		J13-0075-05	FUSE CLIP	EL	
L1 ,2		L40-1011-47	SMALL FIXED INDUCTOR(100UH,K)	P	
T1		L01-7651-05	POWER TRANSFORMER	EYML	
T1		L01-7653-05	POWER TRANSFORMER	XT	
T1		L01-7657-05	POWER TRANSFORMER		
CPI		R90-0804-05	MULTI-COMP 47KX8		
R67 ,68		RM148K2C82E2FTS	RV 82.5K J 1/4W		
R69 ,70		RM148K2C681J1T5	RV 6.81K F 1/4W		
R101		RS140B3021J1E	FL-PRØØF RS 270 J 2W		
R102		RS140B3031J1E	FL-PRØØF RS 330 J 2W		
R108		RD14AB2E101JTS	FL-PRØØF RD 100 J 1/4W		
R109		RD14AB2E822JTS	FL-PRØØF RD 8.2K J 1/4W		
R110,111		RS140B30221JTE	FL-PRØØF RS 220 J 2W		
R112,113		RS140B30181JTE	FL-PRØØF RS 180 J 2W		
R114		RD14AB2E682JTS	FL-PRØØF RD 6.8K J 1/4W		
R115		RD14AB2E471JTS	FL-PRØØF RD 470 J 1/4W		
R116,117		RD14AB2E100JTS	FL-PRØØF RD 10 J 1/4W		
R123		RD14AB2E330JTS	FL-PRØØF RD 33 J 1/4W		
R126		RD14AB2E221JTS	FL-PRØØF RD 2.2K J 1/4W		
R131,132		RD14AB2E332JTS	FL-PRØØF RD 3.3K J 1/4W		
R133		RD14AB2E471JTS	FL-PRØØF RD 470 J 1/4W		
R134,135		RS140B3021JTE	FL-PRØØF RS 220 J 2W		
VRI		R29-5059-05	POTENTIOMETER VOLUME CONTROL		
K1 -6		S31-2089-05	MAGNETIC RELAY	SXTL	
K7		S31-1032-05	MAGNETIC RELAY	PYM	
K7		S76-0002-05	MAGNETIC RELAY		
S1		S40-6036-05	PUSH SWITCH		
S2		S31-2322-05	SLIDE SWITCH	CARTRIDGE	
S2		S62-0001-05	SLIDE SWITCH	VOLTAGE SELECT	
S3		S31-2131-05	SLIDE SWITCH	VOLTAGE SELECT	
D1 ,2		HSS104	D100E		
D1 ,2		ISS133	D100E		
D5 -12		HSS104	D100E		
D5 -12		ISS133	D100E		
D13 -30		MA177	D100E		
D31		HZS20S(B)	ZENER D100E		
D31		RD20JS(B)	ZENER D100E		
D32		HZS5.1S(B2)	ZENER D100E		
D32		RD5.1JS(B2)	ZENER D100E		
D33		HZS20S(B)	ZENER D100E		
D33		RD20JS(B)	ZENER D100E		
D49 -54		HZS11N(B2)	ZENER D100E		
D49 -54		RD11ES(B2)	ZENER D100E		
D55 ,56		HZS30N(B)	ZENER D100E		
D55 ,56		RD30ES(B)	ZENER D100E		
D57		HZS13N(B2)	ZENER D100E		
D57		RD13ES(B2)	ZENER D100E		
D58		HZS30N(B)	ZENER D100E		
D58		RD30ES(B)	ZENER D100E		

L:Scandinavia K:USA P:Canada
 Y:F(For East, Hawaii) T:England E:Europe
 Y:A:US(Europe) X:Australia M:Other Areas
 Δ indicates safety critical components

PARTS LIST

* New Parts
Parts without Parts No. are not supplied.
Les articles non mentionnés dans le Parts No. ne sont pas fournis.
Telles ohne Parts No. werden nicht geliefert.

* New Parts
Parts without Parts No. are not supplied.
Les articles non mentionnés dans le Parts No. ne sont pas fournis.
Telles ohne Parts No. werden nicht geliefert.

No. 6

No. 5

Ref. No. 参照番号	Address 位置	Parts No. 部品番号	Description 部品名 / 规格	Desti- nation 向	Re- marks 備考
R159, 160		RS140B30391JTE	FL-PROOF RS 390		
R173, 174		RN1482E1001FTS	RN 1.00K	J	2H
VR1, 2		R12-1085-05	TRIM POT. 2.2K	F	1/4W
K1, 2		SS1-2096-05	MAGNETIC RELAY		
K3		SS1-2090-05	MICRO SWITCH		
D3, 4		HSS104	DIODE		
D3, 4		ISS133	DIODE		
D7, 8		MA270(A)	VARIABLE		
D9, 12		HSS104A	DIODE		
D9, 12		ISS131	DIODE		
D21		HSS104	DIODE		
D21		ISS133	DIODE		
D22		HZ55.1S(B2)	ZENER DIODE		
D22		RD5.1JS(B2)	ZENER DIODE		
D25		HSS104A	DIODE		
D25		ISS131	DIODE		
D26		HSS104	DIODE		
D26		ISS133	DIODE		
D27, 28		HSS104A	DIODE		
D27, 28		ISS131	DIODE		
D29		HZ55.1S(B2)	ZENER DIODE		
D29		RD5.1JS(B2)	ZENER DIODE		
D30, 31		HZ56.8N(B2)	ZENER DIODE		
D30, 31		RD6.8ES(B2)	ZENER DIODE		
D44		SS5688B	DIODE		
D46		D5FB20*1	DIODE		
D47, 48		HZ56.8N(B2)	ZENER DIODE		
D47, 48		RD6.8ES(B2)	ZENER DIODE		
D49, 51		HSS104	DIODE		
D49, 51		ISS133	DIODE		
IC1		UPC1237HA	IC(Power Amp)		
IC2		NJM4565D	IC(OP Amp X2)		
O1, 8		2SA992(F, E)	TRANSISTOR		
O9, 10		2SA733(A)(G, P)	TRANSISTOR		
O9, 10		2SA933S(Q, R)	TRANSISTOR		
O15, 18		2SC2632(R, S)	TRANSISTOR		
O19, 20		2SA1124(R, S)	TRANSISTOR		
O21, 22		2SC2631(R, S)	TRANSISTOR		
O23, 24		2SA1123(R, S)	TRANSISTOR		
O25, 26		2SC3944(R, S)	TRANSISTOR		
O27, 28		2SA1535(R, S)	TRANSISTOR		
O29, 30		2SC1845(F, E)	TRANSISTOR		
O31, 32		2SA992(F, E)	TRANSISTOR		
O52, 53		2SC1845(F, E)	TRANSISTOR		
O54		2SA733(A)(G, P)	TRANSISTOR		
O54		2SA933S(Q, R)	TRANSISTOR		
O55		2SA992(F, E)	TRANSISTOR		
O56		2SD1266(G, P)	TRANSISTOR		
O57		2SB914(G, P)	TRANSISTOR		
CONTROL UNIT (X11-3112-70)					
D14, 25		B30-1291-05	LED		
C3, 6		CF92FV1H22J	MF		0.22UF
C7, 8		CF92FV1H20J	MF		0.020UF

Ref. No. 参照番号	Address 位置	Parts No. 部品番号	Description 部品名 / 规格	Desti- nation 向	Re- marks 備考
C57 -60		CE04KW2A2R2M	ELECTRO 2.2UF		P
C58, 59		CE04KW2A2R2M	ELECTRO 2.2UF		EYMXTL
C61, 62		CF92FV1H104J	MF 0.10UF	J	
C63, 64		CF92FV1H473J	MF 0.047UF	J	
C65, 66		CF92FV1H221K	MF 220PF	K	
C67, 70		CF92FV1H222J	MF 2200PF	J	
C101		CK45FE2H103P	CERAMIC 0.010UF	P	
C102		CE04KW2A4R7M	ELECTRO 4.7UF		
C103, 104		C90-1822-05	ELECTRO 10000UF		
C106, 107		CE04KW1J331M	ELECTRO 330UF		
C108		CE04KW1A101M	ELECTRO 100UF		
C109		CF92FV1H104J	MF 0.10UF	J	
C110		CE04KW1E471M	ELECTRO 470UF		
C111		CF92FV1H104J	MF 0.10UF	J	
C112		CE04KW1E471M	ELECTRO 470UF		
C113, 114		CF92FV1H103J	MF 0.010UF	J	
C123		CE04KW1C30M	ELECTRO 30UF		
C125		C90-1333-05	NP-ELEC 22UF		
C126		CE04KW1C220M	ELECTRO 22UF		
C127, 128		CE04DW1J101M	ELECTRO 100UF		
C130		CF92FV1H105J	MF 1.0UF	J	
C131		CE04KW1J221M	ELECTRO 220UF		
C147		CE04KW1J221M	ELECTRO 220UF		
C149		CK45FF1H103Z	CERAMIC 0.010UF	Z	
E1		E20-0839-15	SCREW TERMINAL BOARD SPEAKERS		EPYMXTL
E1		E20-0840-15	SCREW TERMINAL BOARD SPEAKERS		L
-		J11-0098-05	WIRE CLAMPER		
L1, 2		L39-0080-15	PHASE-COMPENSATION COIL		
CP1, 4		R80-0187-05	MULTI-COMP 0.22X2	K	5W
R21, 22		RD14AB2E21JTS	FL-PROOF RD 220	J	1/4W
R23, 24		RS14DB3A822JTE	FL-PROOF RS 8.2K	J	1W
R25, 26		RD14AB2E181JTS	FL-PROOF RD 180	J	1/4W
R37, 40		RD14AB2E391JTS	FL-PROOF RD 390	J	1/4W
R41, 42		RD14AB2E122JTS	FL-PROOF RD 1.2K	J	1/4W
R43, 44		RD14AB2E21JTS	FL-PROOF RD 220	J	1/4W
R45		RS14GB3A101JKW	FL-PROOF RS 100	J	1W
R47, 50		RD14AB2E4R7JTS	FL-PROOF RD 4.7	J	1/4W
R51		RD14AB2E4R7JTS	FL-PROOF RD 4.7	J	1/4W
R52, 54		RD14AB2E4R7JTS	FL-PROOF RD 4.7	J	1/4W
R55, 56		RD14AB2E821JTS	FL-PROOF RD 820	J	1/4W
R57, 60		RD14AB2E681JTS	FL-PROOF RD 680	J	1/4W
R61, 62		RD14AB2E102JTS	FL-PROOF RD 1.0K	J	1/4W
R63, 66		RD14AB2E101JTS	FL-PROOF RD 100	J	1/4W
R71, 72		RS14GB3A100JKW	FL-PROOF RS 10	J	1W
R73, 74		RD14AB2E221JTS	FL-PROOF RD 2.2	J	1/4W
R75, 76		RD14AB2E303JTS	FL-PROOF RD 30	J	1/4W
R77, 78		RS14GB3A100JKW	FL-PROOF RS 10	J	1W
R79, 80		RD14AB2E101JTS	FL-PROOF RD 100	J	1/4W
R87, 88		RS14GB3A101JKW	FL-PROOF RS 100	J	1W
R103		RS14DB30561JTE	FL-PROOF RS 560	J	2W
R105		RS14DB30561JTE	FL-PROOF RS 560	J	2W
R119, 120		RS14DB30391JTE	FL-PROOF RS 390	J	2W
R125		RS14DB3A392JTE	FL-PROOF RS 3.9K	J	1W

L:Scandinavia K:USA P:Canada
Y:FX(Far East, Hawaii) T:England E:Europe
Y:AFES(Europe) X:Australia M:Other Areas
△ indicates safety critical components.

L:Scandinavia K:USA P:Canada
Y:FX(Far East, Hawaii) T:England E:Europe
Y:AFES(Europe) X:Australia M:Other Areas
△ indicates safety critical components.

PARTS LIST

No. 8

* New Parts
 Parts without Parts No. are not supplied.
 Les articles non mentionnés dans le Parts No. ne sont pas fournis.
 Teile ohne Parts No. werden nicht geliefert.

Ref. No. 参照番号	Address 位置	Parts No. 部品番号	Description 部品名 / 規格	Desti- nation 仕向	Re- marks 備考
01, 2 03, 4 03, 4 A1		2SC3111A(Q,R) DTA124ES UN4112 #02-1046-05	TRANSISTOR DIGITAL TRANSISTOR DIGITAL TRANSISTOR ELECTRIC CIRCUIT MODULE		

No. 7

* New Parts
 Parts without Parts No. are not supplied.
 Les articles non mentionnés dans le Parts No. ne sont pas fournis.
 Teile ohne Parts No. werden nicht geliefert.

Ref. No. 参照番号	Address 位置	Parts No. 部品番号	Description 部品名 / 規格	Desti- nation 仕向	Re- marks 備考
C9, 10 C11, 12 C15, 16 C17, 18 C19, 20 C21, 22 C23, 24 C25, 26 C27, 28 C29, 34 C35, 38 C39, 42 C43, 44 C45 C46 C47, 48 C49 C50 C51 C52, 53 C55 C56 C57 C58 C64 C67 C68, 69 J1 L3, 4 X1 R51, 52 R53, 54 R55, 56 VR1 VR2, 3 S1 S7 S8 S9 D1 D1 D2 D2 D2, 13 D26, 27 D26, 27 IC1 IC2 IC3 IC4 IC5 IC6 O1, 2		CF92FV1H4683J CF92FV1H434J C90-1886-05 CF92FV1H391K CF92FV1H154J CF92FV1H221K CF92FV1H101K CF92FV1H471J CF92FV1H102J CE04KW1H010H CE04KW1C220H CF92FV1H473J CE04KW1E101H CK45FF1H103Z CK45FSL1H101J CF92FV1H102J C90-1826-05 CK45FF1H103Z CE04KW1H010H CK45FB1H332K CE04KW1V4R7M CE04KW1H010H CE04KW1A101H CE04KW1V4R7M CE04KW1A101H CK45FF1H103Z CF92FV1H104J E11-0208-05 L40-1021-14 L78-0267-05 RS140B30221JTE RS140B30151JTE RS140B30221JTE R06-5190-05 R06-2025-05 S40-1064-05 S60-0010-05 S29-2035-05 T99-0521-05 HSS104A 1S5131 HSS104 1S5133 HSS104 1S5133 NJM45650-D NJM45650-D NJM45650-D TC9163N UPD75104CF-778 PST529D 2SC1740S(Q,R)	0.068UF J 0.33UF J 4.7UF 25WV K 390PF K 0.15UF J 220PF K 100PF K 470PF J 1000PF J 1.0UF 50WV J 22UF 16WV 0.047UF J 100UF 25WV 0.010UF Z 100PF J 1000PF J 0.047F 5.5WV 0.010UF Z 0.1UF 50WV K 3300PF K 4.7UF 35WV 1.0UF 50WV 100UF 10WV 4.7UF 35WV 100UF 10WV 0.010UF Z 0.10UF J PHONE JACK HEAD PHONES SMALL FIXED INDUCTOR(1.0MH,K) RESONATOR 4.19MHZ FL-PR00F RS 220 J 2W FL-PR00F RS 150 J 2W FL-PR00F RS 220 J 2W POTENTIOMETER BALANCE POTENTIOMETER BASS, TREBLE PUSH SWITCH ROTARY SWITCH REC OUT SELECT ROTARY SWITCH SPEAKERS ROTARY ENCODER INPUT SELECTOR DIODE DIODE DIODE DIODE DIODE IC(OP AMP X2) IC IC(OP AMP X2) IC(BILATERAL SWITCH X16) IC(MICROPROCESSOR) IC(SYSTEM RESET) TRANSISTOR		

L:Scandinavia K:USA P:Canada
 Y:P(Far East, Hawaii) T:England E:Europe
 Y:AFES(Europe) X:Australia M:Other Areas
 A indicates safety critical components

SPECIFICATIONS

(For U.K. and Europe)

Continuous rated power output

(DIN) 1 kHz, at 8 Ω 95 W + 95 W
 at 4 Ω 140 W + 140 W
 (IEC/NF) From 63 Hz to 12,500 Hz, 0.7% T.H.D.
 at 8 Ω 90 W + 90 W
 at 4 Ω 135 W + 135 W

Dynamic power 105 W (8 Ω)
 175 W (4 Ω)
 210 W (2 Ω)

Damping factor 220 (50 Hz)

Total harmonic distortion
 0.03% (20 Hz ~ 20,000 Hz, 80 W, 8 Ω)
 0.002% (1 kHz, 40 W, 8 Ω)

Intermodulation distortion 0.03% (80 W, 8 Ω)
 (70 Hz : 7 kHz = 4:1)

Frequency response
 CD 5 Hz ~ 100 kHz, +0 dB, -3 dB
 PHONO 'RIAA' response
 20 Hz ~ 20 kHz, +0.3 dB, -0.3 dB

Maximum input level
 PHONO (MM) 120 mV, 0.03% T.H.D. at 1 kHz
 PHONO (MC) 10 mV, 0.03% T.H.D. at 1 kHz

Signal to noise ratio
 PHONO (MM) 87 dB (IHF '66)/80 dB (IHF '78)
 PHONO (MC) 68 dB (IHF '66)/74 dB (IHF '78)
 CD/TUNER/AUX/TAPE
 102 dB (IHF '66)/80 dB (IHF '78)
 PHONO (MM) 58 dB (DIN, 50 mW output)
 CD/TUNER/AUX/TAPE
 59 dB (DIN, 50 mW output)

Input sensitivity/impedance
 PHONO (MM) 2.5 mV/47 kΩ
 PHONO (MC) 0.2 mV/100 Ω
 CD/TUNER/AUX/TAPE 200 mV/47 kΩ
 ADAPTOR IN 200 mV/47 kΩ

Tone control
 BASS ± 10 dB (at 100 Hz)
 TREBLE ± 10 dB (at 10 kHz)

Filter
 SUBSONIC filter 18 Hz, -12 dB/oct

Loudness control
 VOLUME at -30 dB level
 +6 dB (100Hz), +3 dB (10 kHz)

Output level/impedance
 TAPE REC 200 mV/1 kΩ
 ADAPTOR OUT 200 mV/0.2 kΩ

General

Power consumption 250 W
 AC outlet
 SWITCHED 200 W max.
 Dimensions W: 440 mm (17-5/16")
 H: 147 mm (5-13/16")
 D: 403 mm (15-7/8")
 Weight (net) 11.6 kg (25.6 lb)

(For other countries)

Continuous rated power output

(IHF '66) From 20 Hz to 20,000 Hz 0.03% T.H.D.
 at 8 Ω 80 W + 80 W
 (IEC/NF) From 63 Hz to 12,500 Hz, 0.7% T.H.D.
 at 8 Ω 90 W + 90 W
 at 4 Ω 135 W + 135 W

Dynamic power 105 W (8 Ω)
 175 W (4 Ω)
 210 W (2 Ω)

Damping factor 220 (50 Hz)

Total harmonic distortion
 0.03% (20 Hz ~ 20,000 Hz, 80 W, 8 Ω)
 0.002% (1 kHz, 40 W, 8 Ω)

Intermodulation distortion 0.03% (80 W, 8 Ω)
 (70 Hz : 7 kHz = 4:1)

Frequency response
 CD 5 Hz ~ 100 kHz, +0 dB, -3 dB
 PHONO 'RIAA' response
 20 Hz ~ 20 kHz, +0.3 dB, -0.3 dB

Maximum input level
 PHONO (MM) 120 mV, 0.03% T.H.D. at 1 kHz
 PHONO (MC) 10 mV, 0.03% T.H.D. at 1 kHz

Signal to noise ratio
 PHONO (MM) 87 dB (IHF '66)/80 dB (IHF '78)
 PHONO (MC) 68 dB (IHF '66)/74 dB (IHF '78)
 CD/TUNER/AUX/TAPE
 102 dB (IHF '66)/80 dB (IHF '78)

Input sensitivity/impedance
 PHONO (MM) 2.5 mV/47 kΩ
 PHONO (MC) 0.2 mV/100 Ω
 CD/TUNER/AUX/TAPE 200 mV/47 kΩ
 ADAPTOR IN 200 mV/47 kΩ

Tone control
 BASS ± 10 dB (at 100 Hz)
 TREBLE ± 10 dB (at 10 kHz)

Filter
 SUBSONIC filter 18 Hz, -12 dB/oct

Loudness control
 VOLUME at -30 dB level
 +6 dB (100Hz), +3 dB (10 kHz)

Output level/impedance
 TAPE REC 200 mV/1 kΩ
 ADAPTOR OUT 200 mV/0.2 kΩ

General

Power consumption 250 W
 AC outlet
 SWITCHED Total 200 W max.
 Dimensions W: 440 mm (17-5/16")
 H: 147 mm (5-13/16")
 D: 403 mm (15-7/8")
 Weight (net) 11.6 kg (25.6 lb)

DATE: May. 31. 2001

MODEL	KA - 5040R	SYSTEM NAME		DIVISION	NA
SERIAL No.	10700121			JAPAN	K
RELATED MODEL					

SYMPTOM, PROBLEM

No sound output.

IMPROVE METHOD FOR INFERIOR, CAUSE, AND PROBLEM

It turns on the power normally but does not output any sound.

There was a liquid leak at C15 on Tone AMP circuit (X11-3112), and this caused eroded the IC2.

Therefore, it did not output any sound or outputted noise.

TREATMENT, COUNTERMEASURE

Replaced C15 (4.7 μ 25V: C90-1886-08) on X11-3112.

Control No.	N1 - 01 - 103	EXAMINER	Hori
-------------	---------------	----------	------