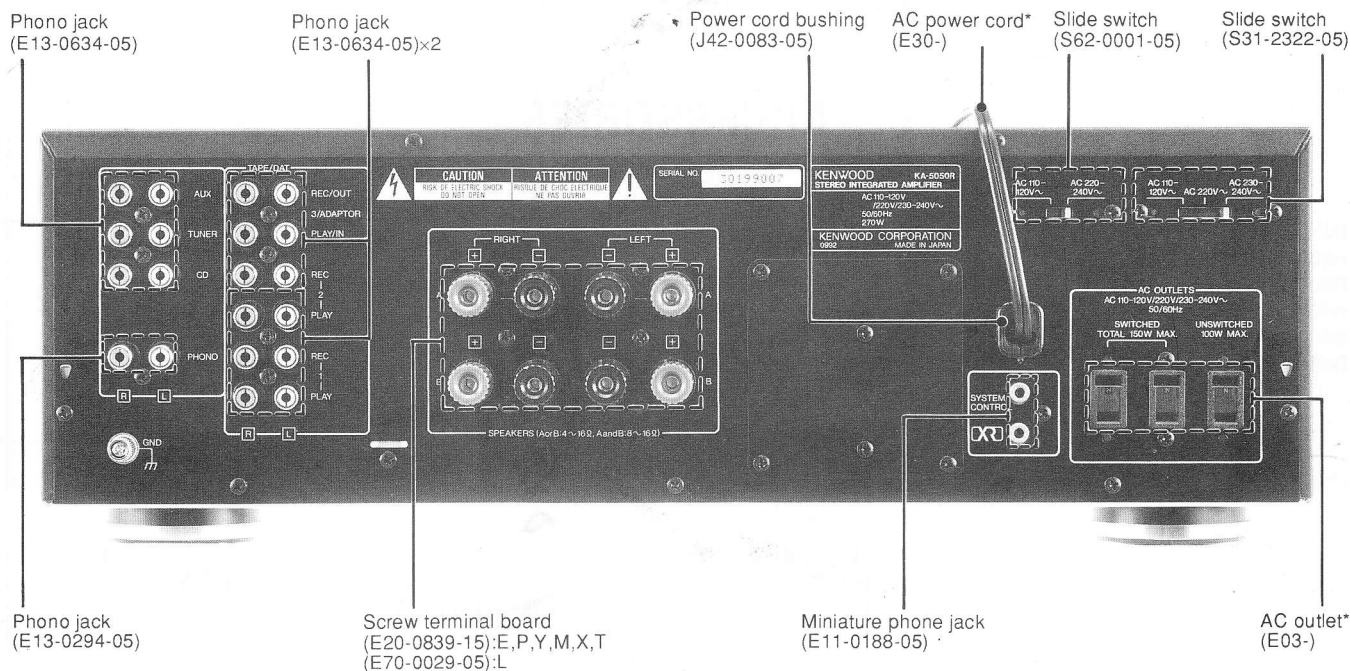
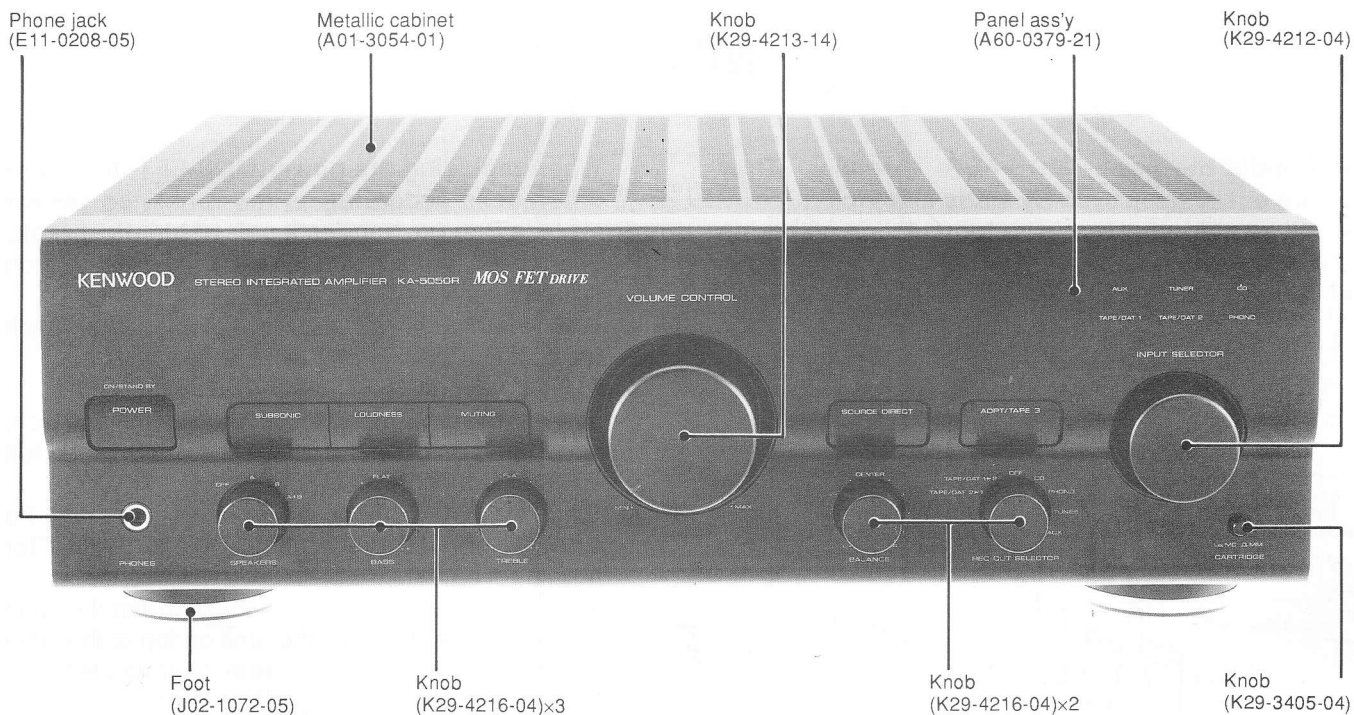


# KA-5050R SERVICE MANUAL



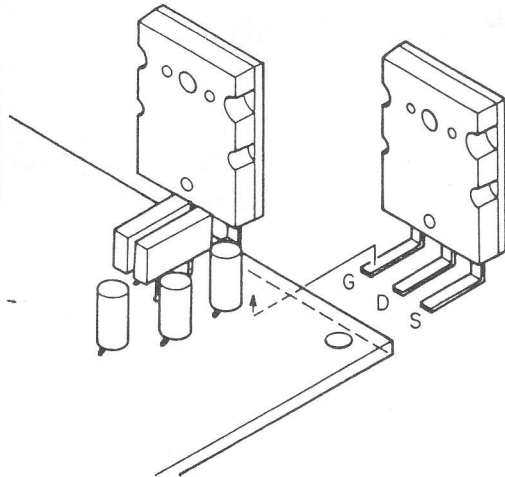
# KA-5050R

## CONTENTS

NOTES.....	2	PC BOARD.....	7
ACCESSORIES.....	2	SCHEMATIC DIAGRAM .....	13
REMOTE CONTROL OPERATION.....	3	EXPLODED VIEW.....	21
ADJUSTMENT/REGLAGES/ABGLEICH.....	4	PARTS LIST.....	23
WIRING DIAGRAM.....	5	SPECIFICATIONS .....	31

## NOTES

- Handle the power MOS-FETs carefully. They are easily destroyed by static electricity.
- When soldering, use a high-insulation soldering iron.
- When soldering, solder the gate (G) first.
- When replacing the power MOS-FET, there are differences according to the ranks, so please replace Pch (or Nch) as a pair of identical rank.
- The parts stock for parts of the same rank as Pch (or Nch) come in packs of pairs. When ordering a quantity of 1, one pack (containing 2) will be delivered in one bag. Please order as 2SK1529LBP4, 2SJ200LBP4. There is no need to adjust the ranks of Pch and Nch, and there is no need to adjust the ranks of the left channel and right channel either.
- Since the KA-5050R is a FET amp, even with no signal, nearly as much heat is generated as for maximum output. When piling sets on top of each other, put this amp at the top. Placing any other unit on top of this amp interferes with the heat release and can cause harm, so do not do this.



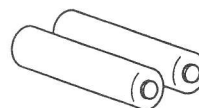
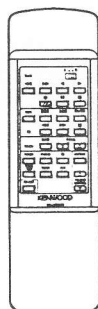
## ACCESSORIES

### INSTRUCTION MANUAL

B60-1131-00	ENGLISH	E, L, P
B60-1132-00	FRENCH	M
B60-1133-00	CHINESE	E, M
B60-1134-00	SPANISH	E, L
B60-1135-00	GE, DU, IT	

### Accessories

- Remote control unit .... 1  
(A70-0932-05)  
(A09-0146-08): Battery cover
- Batteries (R6/SUM-3/AA\*) ..... 2
- AC plug adaptor ..... 1  
(Except for some areas)  
For the unit with a European AC plug in areas other than Europe.  
(E03-0115-05)



## REMOTE CONTROL OPERATION

Operation keys for KENWOOD components connected by system control cords

### Cassette deck operation keys

These keys perform the same operations as the corresponding keys on the cassette deck. However, operations requiring simultaneous pressing of two keys are not possible.

### CD player operation keys

\* The DISC key is only used for the Autochanger CD player.

### INPUT SELECTOR keys

### POWER key

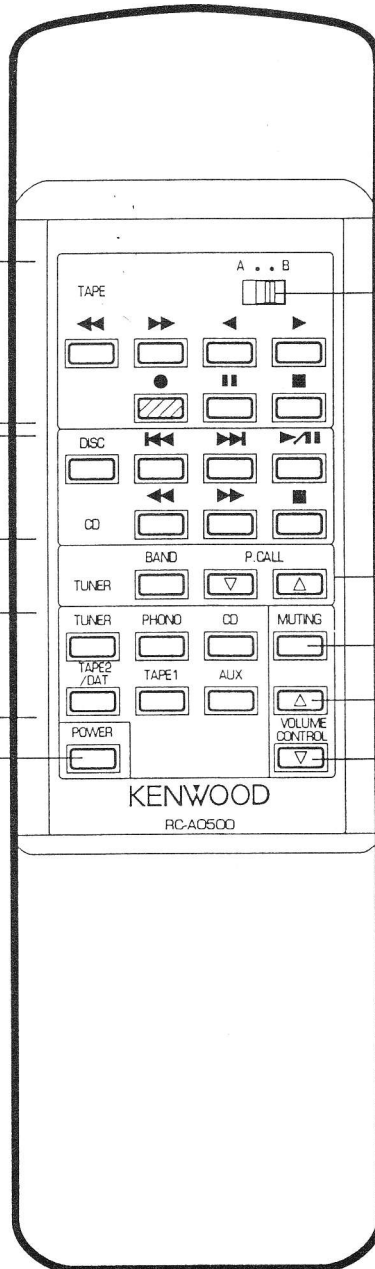
### TAPE A/B selector

- A** : When operating Deck A of a double cassette deck, set this selector to the A position.
- B** : When operating Deck B of a double cassette deck or single cassette deck, set this selector to the B position.

### TUNER operation keys

### MUTING key

### VOLUME UP ( $\Delta$ ), DOWN ( $\nabla$ ) keys



### KA-5050R operation keys

These keys have the same function as the corresponding keys on the main unit.

A70-0932-05  
A09-0146-08: Battery cover

## ADJUSTMENT/REGLAGE/ABGLEICH

## ADJUSTMENT

No.	ITEM	INPUT SETTINGS	OUTPUT SETTINGS	AMPLIFIER SETTINGS	ALIGNMENT POINTS	ALIGN FOR	FIG.
Unless otherwise specified, set the respective switches as follows: POWER: ON      SPEAKER: B      REC OUT: OFF      SELECTOR: PHONO							
1	IDLE CURRENT	—	Connect a DC voltmeter across CN3 Pin 1-2 CN3 Pin 3-4 CN4 Pin 1-2 CN4 Pin 3-4	VOLUME: 0	VR1,3 (L) VR2,4 (R)	10 mV	(a)

## REGLAGES

N°	ITEM	REGLAGE DE L'ENTREE	REGLAGE DE LA SORTIE	REGLAGE DE L'AMPLIFICATEUR	POINT DE L'ALIGNEMENT	ALIGNER POUR	FIG.
Sauf indication contraire, régler comme suit les commandes respectives POWER: ON      SPEAKER: B      REC OUT: OFF      SELECTOR: PHONO							
1	COURANT DE PLARISATION	—	Connecter un voltmètre de CC SUR CN3 Pin 1-2 CN3 Pin 3-4 CN4 Pin 1-2 CN4 Pin 3-4	VOLUME: 0	VR1,3 (G) VR2,4 (D)	10 mV	(a)

## ABGLEICH

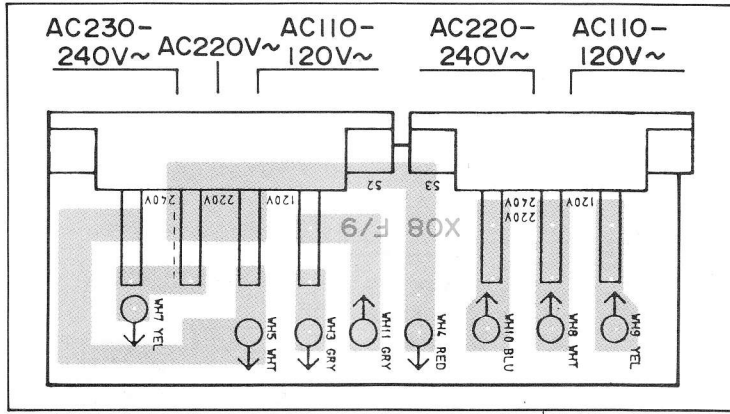
NR.	GEGENSTAND	EINGANGS-EINSTELLUNG	AUSGANGS-EINSTELLUNG	VORSTÄRKER-EINSTELLUNG	ABGLEICH-PUNKTE	ABGLEICHEN FÜR	ABB.
Wenn nicht anders angegeben, die einzelnen Schalter wie folgt einstellen: POWER: ON      SPEAKER: B      REC OUT: OFF      SELECTOR: PHONO							
1	LEERLAUFSTROM	—	Einen Gleichspannungs- messer über CN3 Pin 1-2 CN3 Pin 3-4 CN4 Pin 1-2 CN4 Pin 3-4 anschießen.	VOLUME: 0	VR1, 3(L) VR2, 4(R)	10 mV	(a)



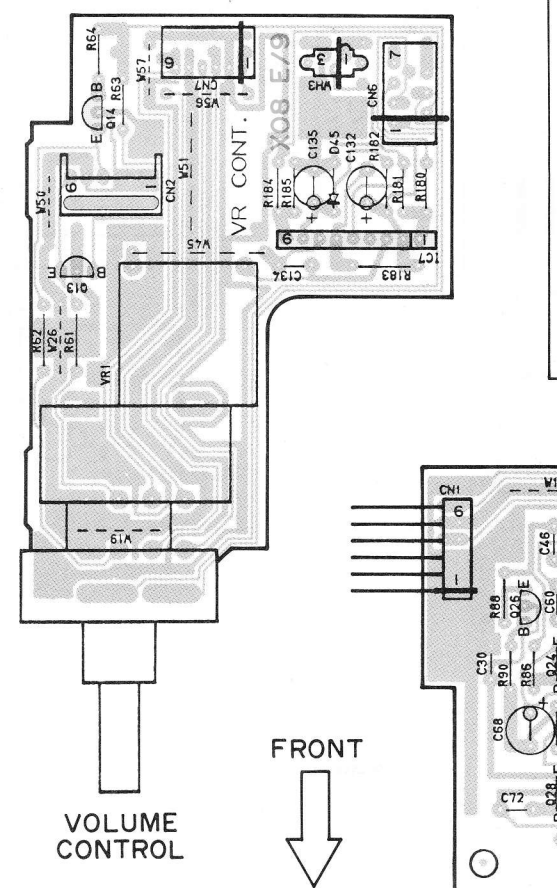
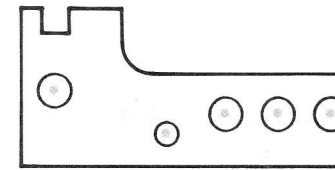
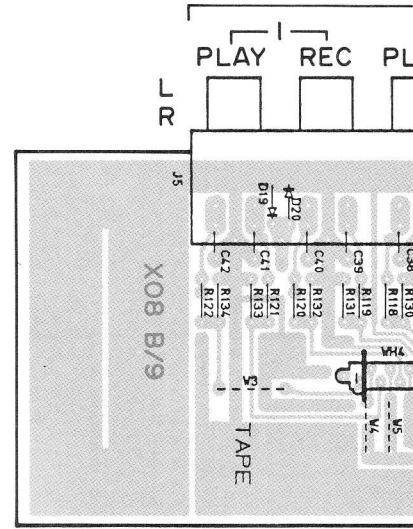
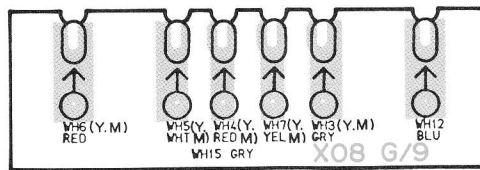
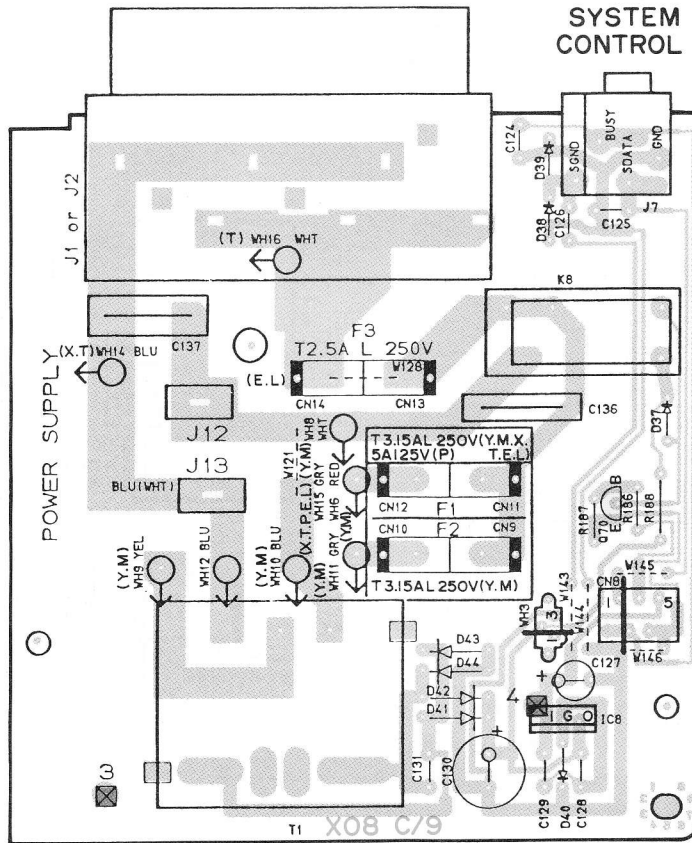
# PC BOARD (Component side view)

# PREAMPLIFIER UNIT (X08-259X-XX)

Y, M TYPE



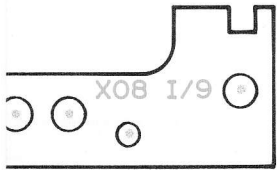
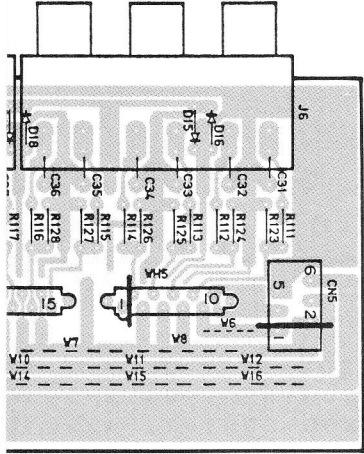
AC OUTLETS  
AC110-120V/220V/230-240V~  
50/60Hz  
UNSWITCHED SWITCHED  
100W MAX. TOTAL 150W MAX. P, Y, M, E, L TYPE



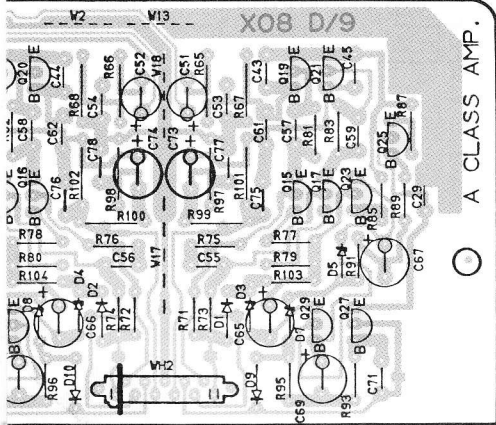
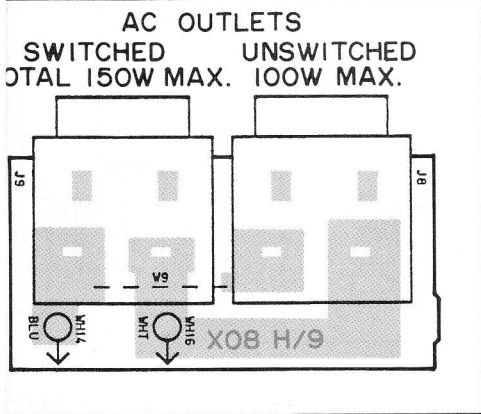
FRONT  
↓

Refer to the schematic diagram for the values of resistors and capacitors.

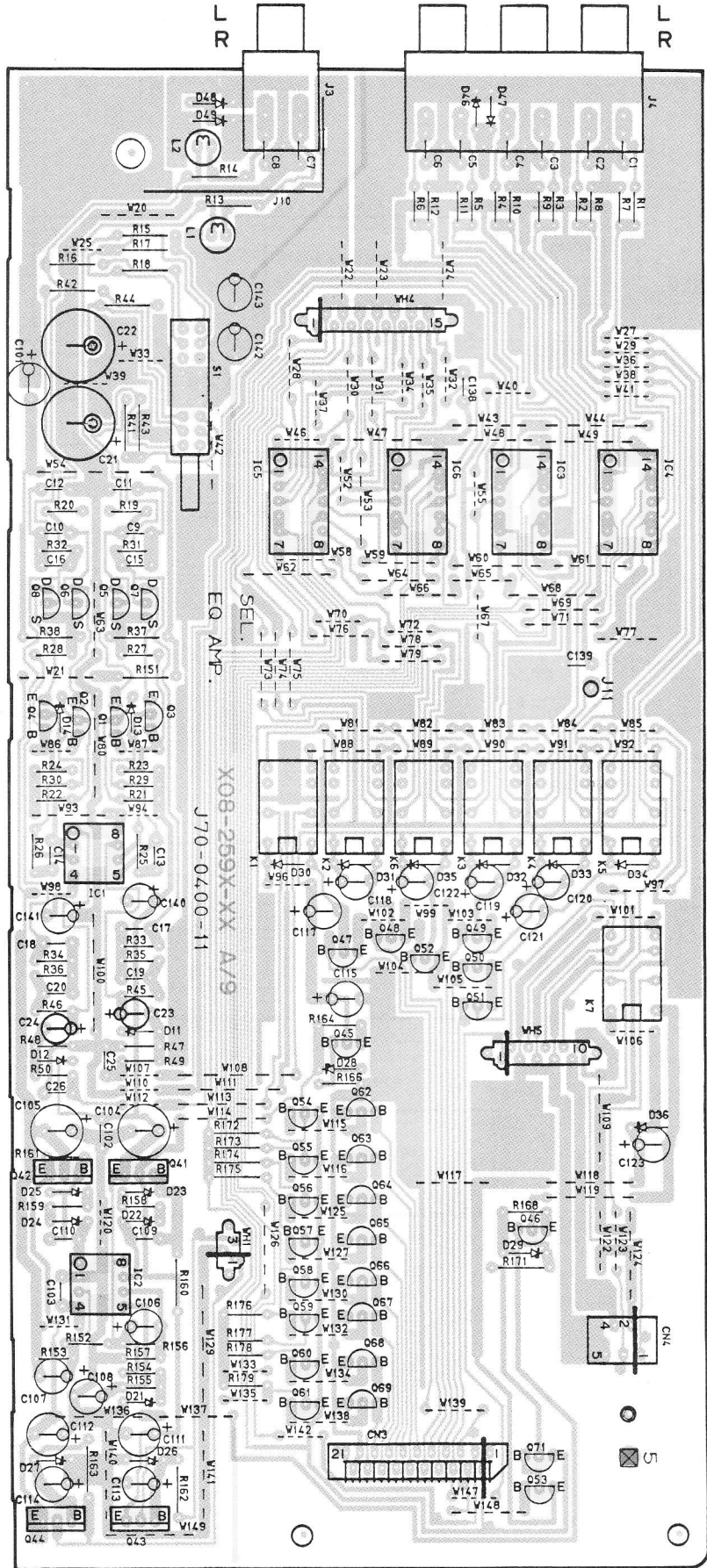
PE/DAT  
2 REC  
3/ADAPTOR  
PLAY/IN REC/OUT

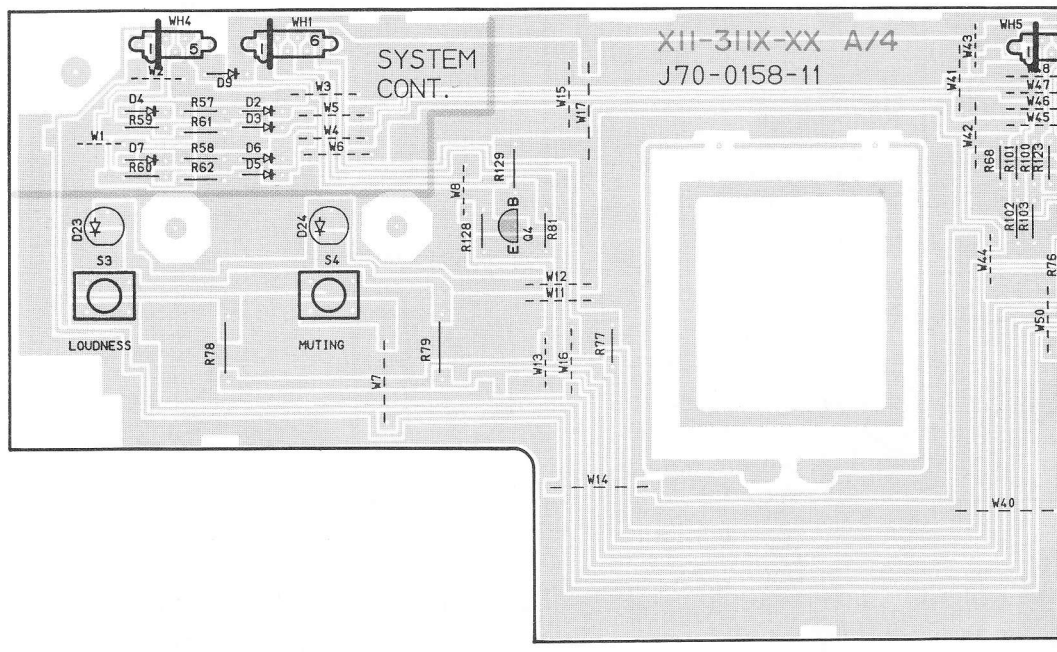
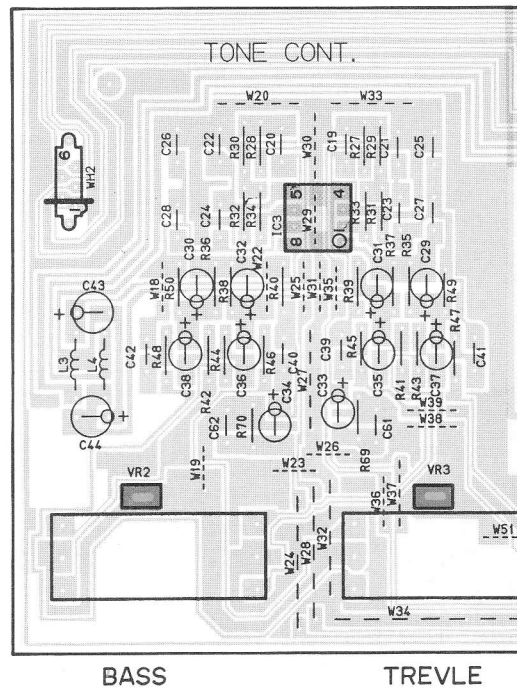
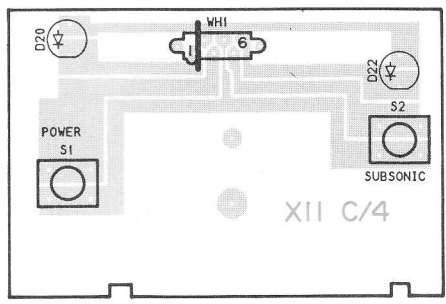
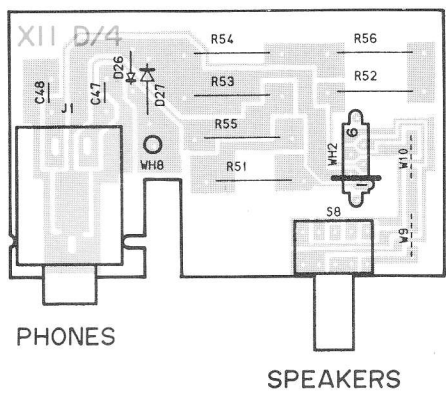


TYPE ONLY



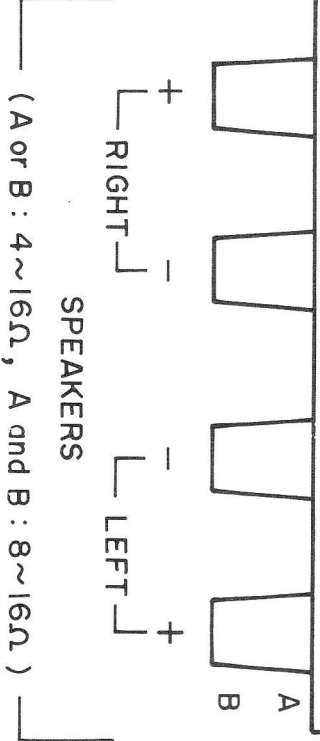
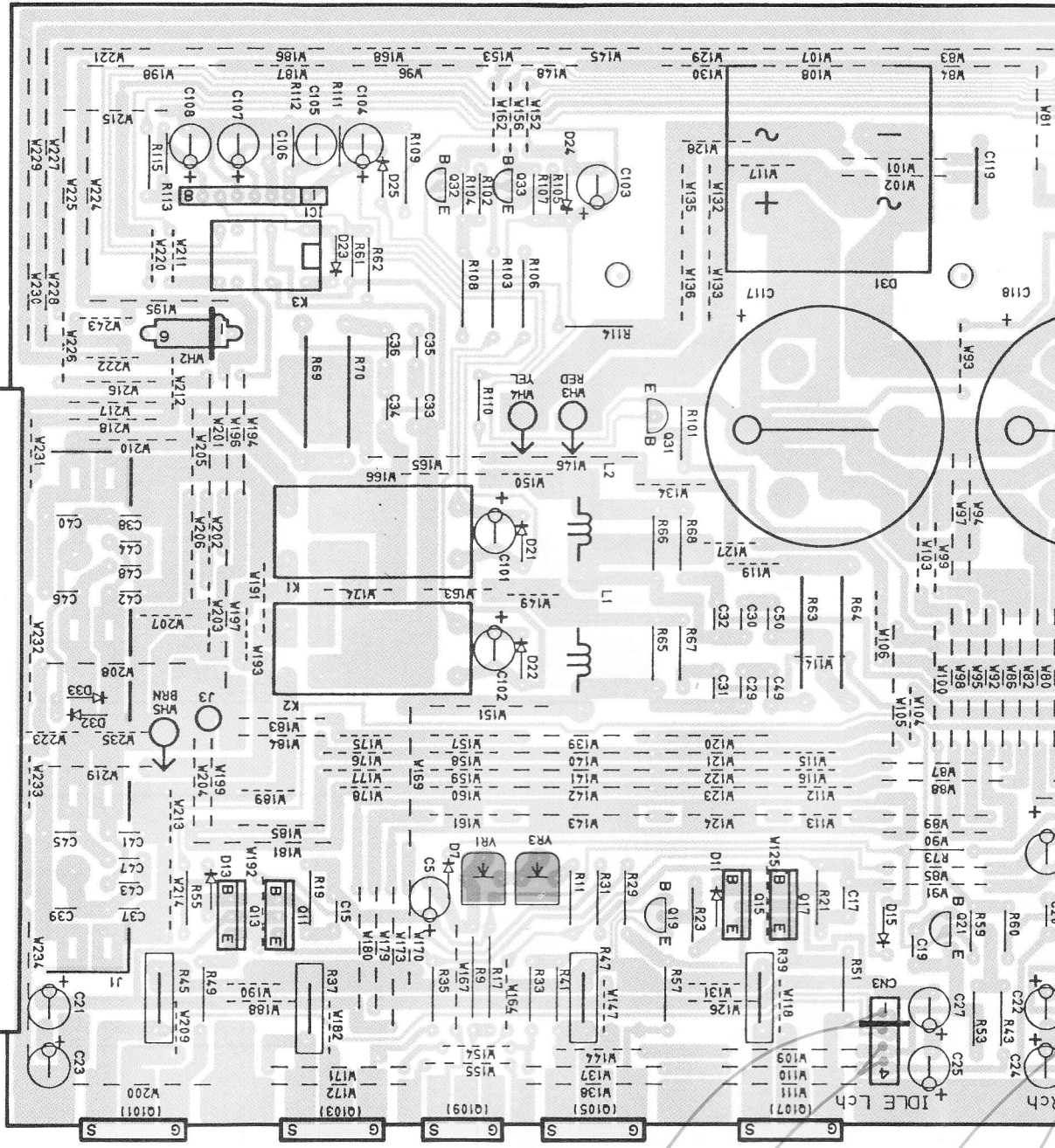
PHONO CD TUNER AUX





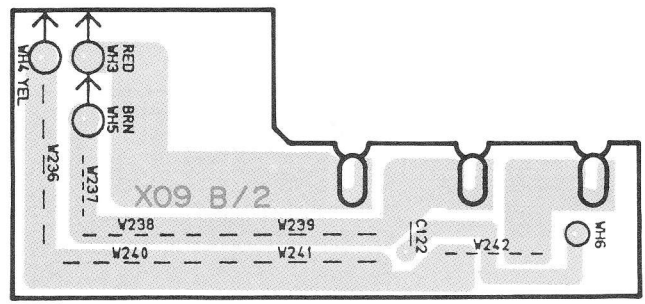
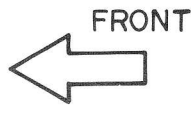
1  
2  
3  
4  
5  
6  
7





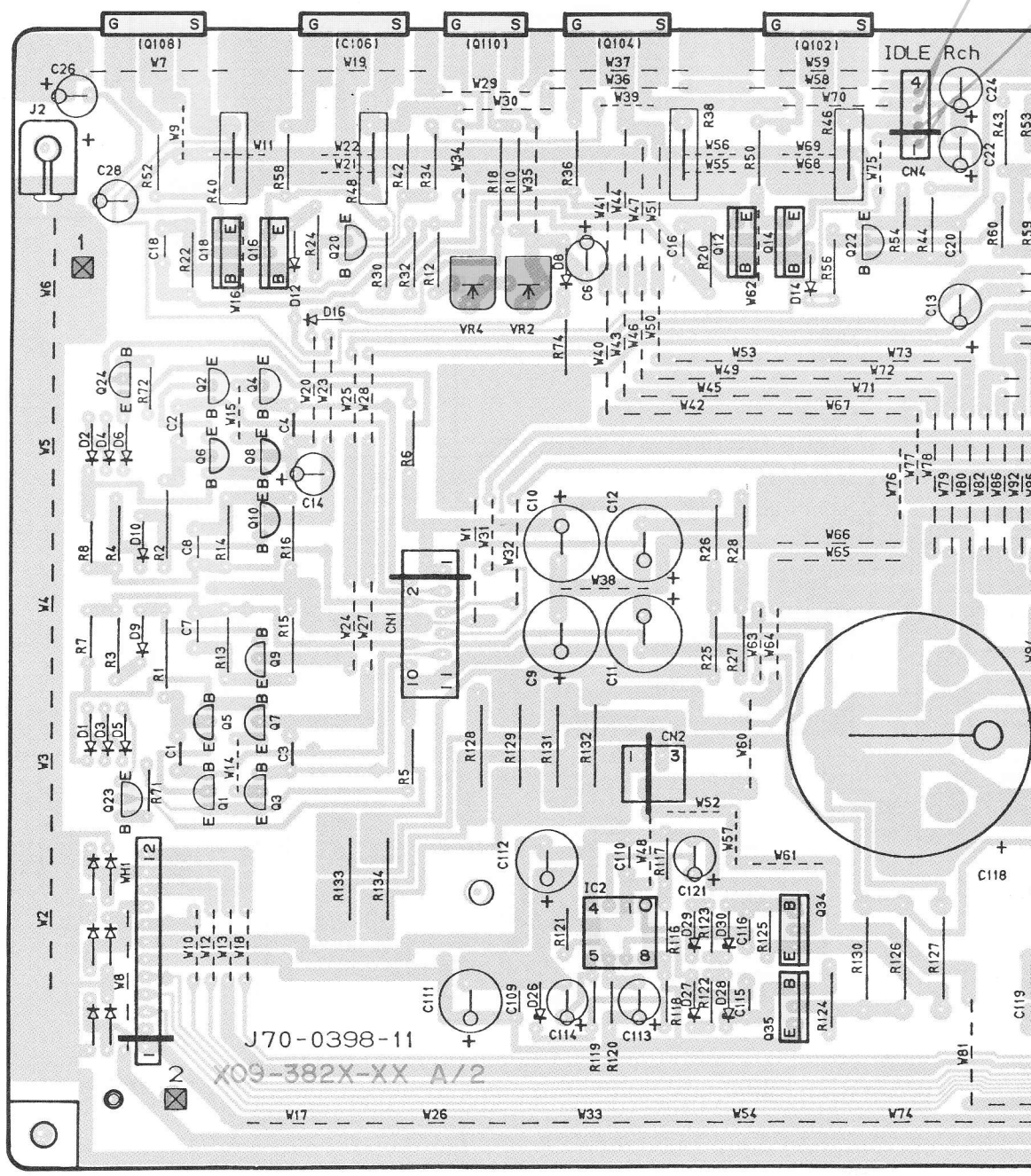
(a) IDLE CURRENT : 10 mV  
 (a) IDLE CURRENT : 10 mV  
 DC Voltmeter

SHIMADZU CO. 4-4-1



(a) IDLE

DC Voltmeter



2

3

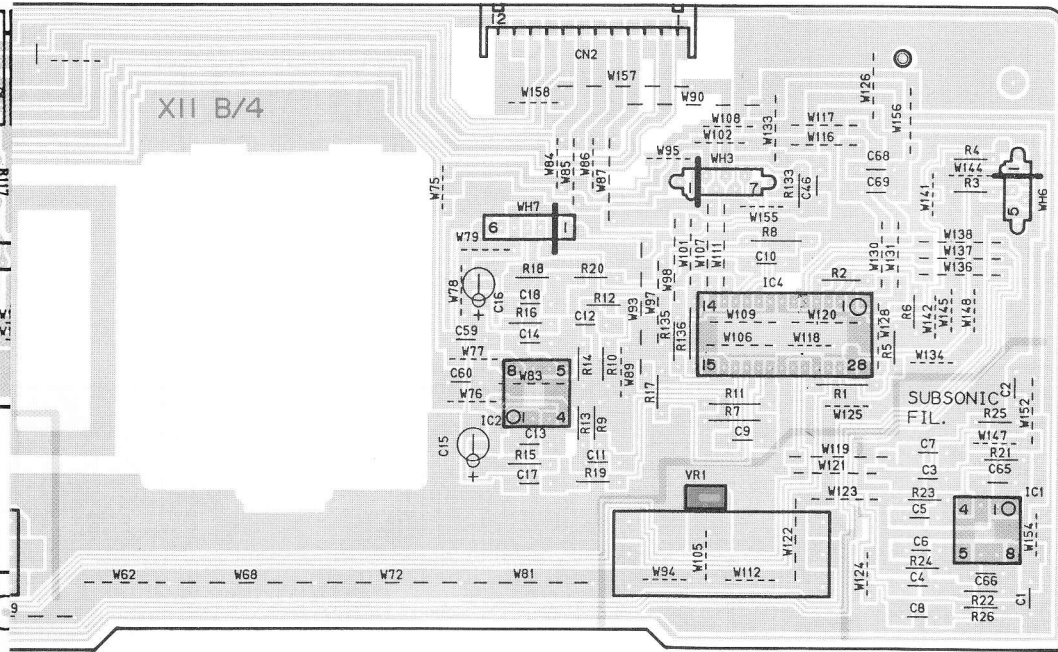
4

5

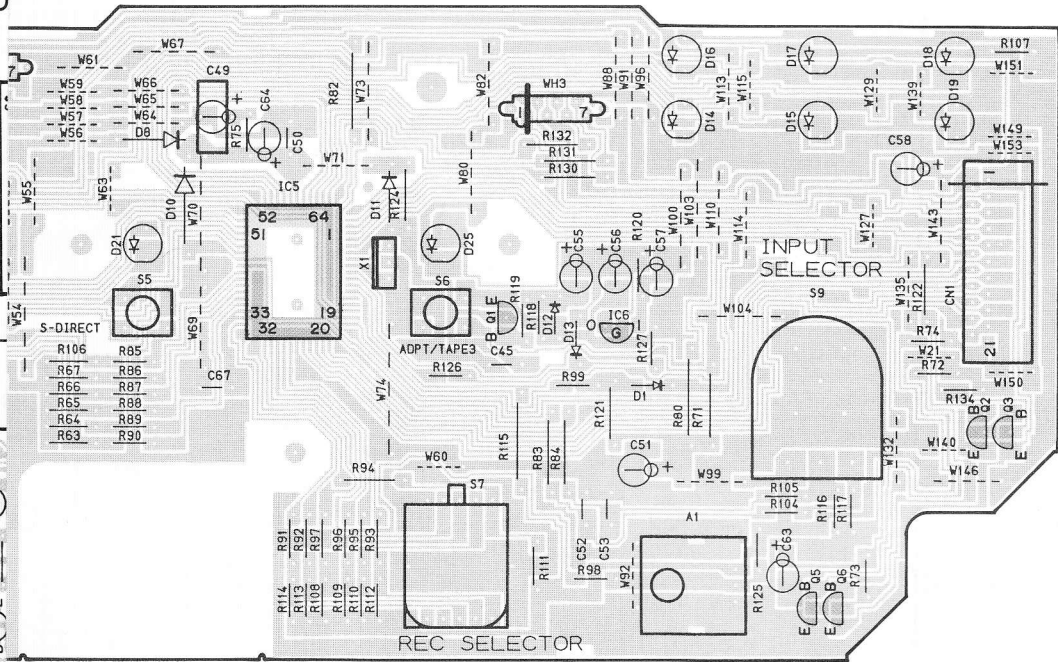
6

7

P  
2



BALANCE



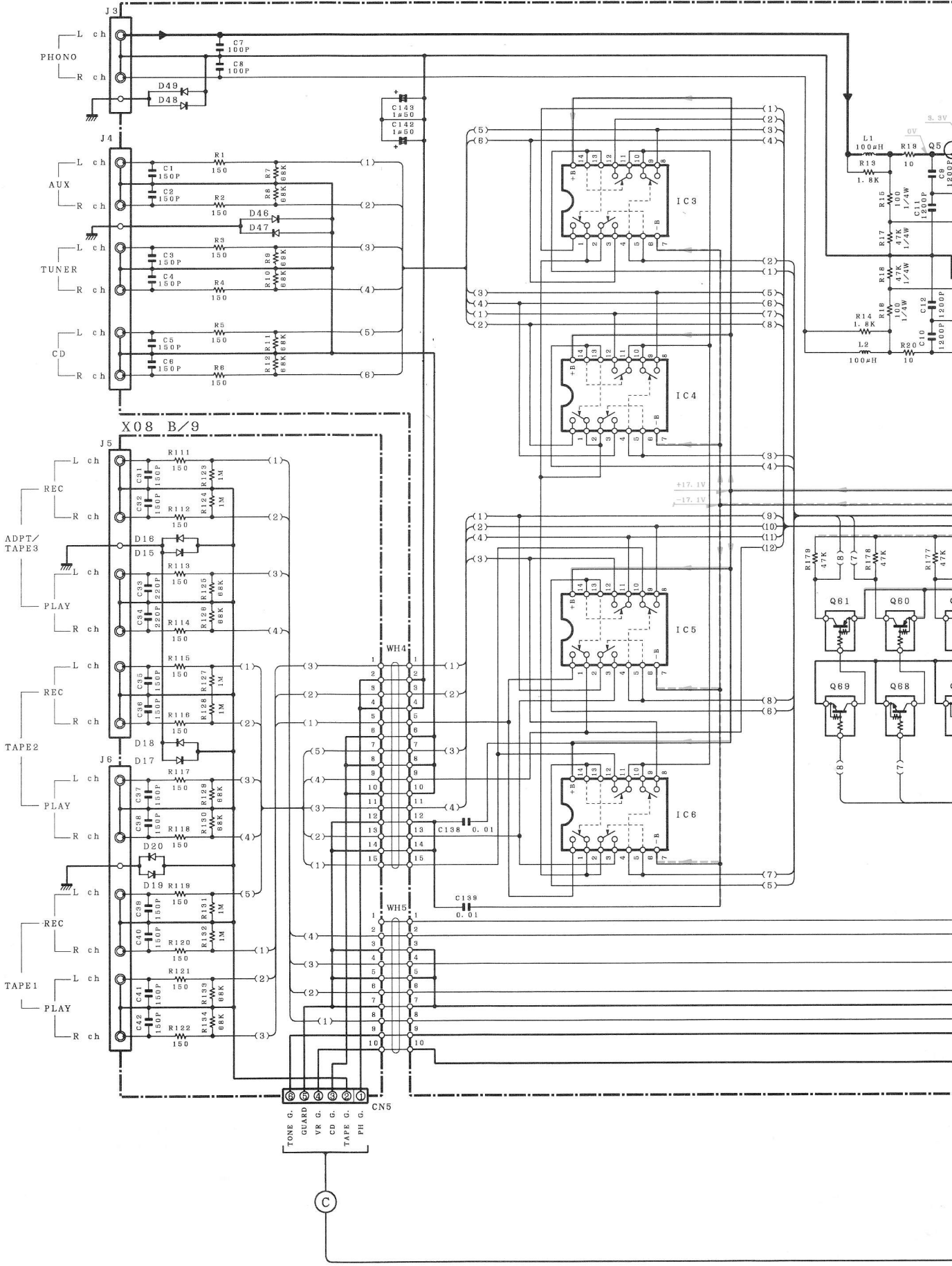
INPUT SELECTOR

REC SELECTOR

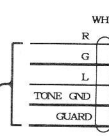
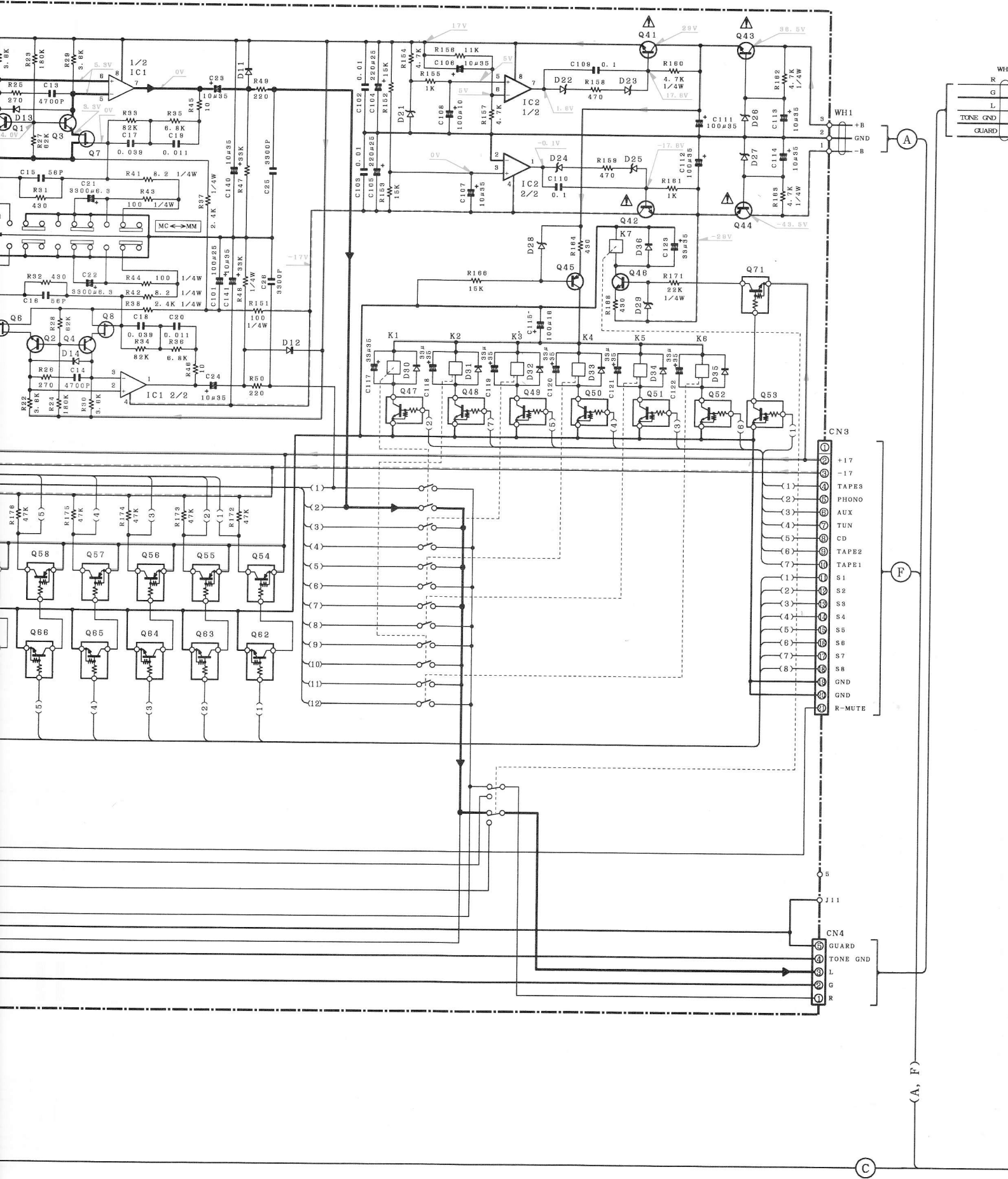
Refer to the schematic diagram for the values of resistors and capacitors.

X08-259X-XX A/9

1  
2  
3  
4  
5  
6  
7



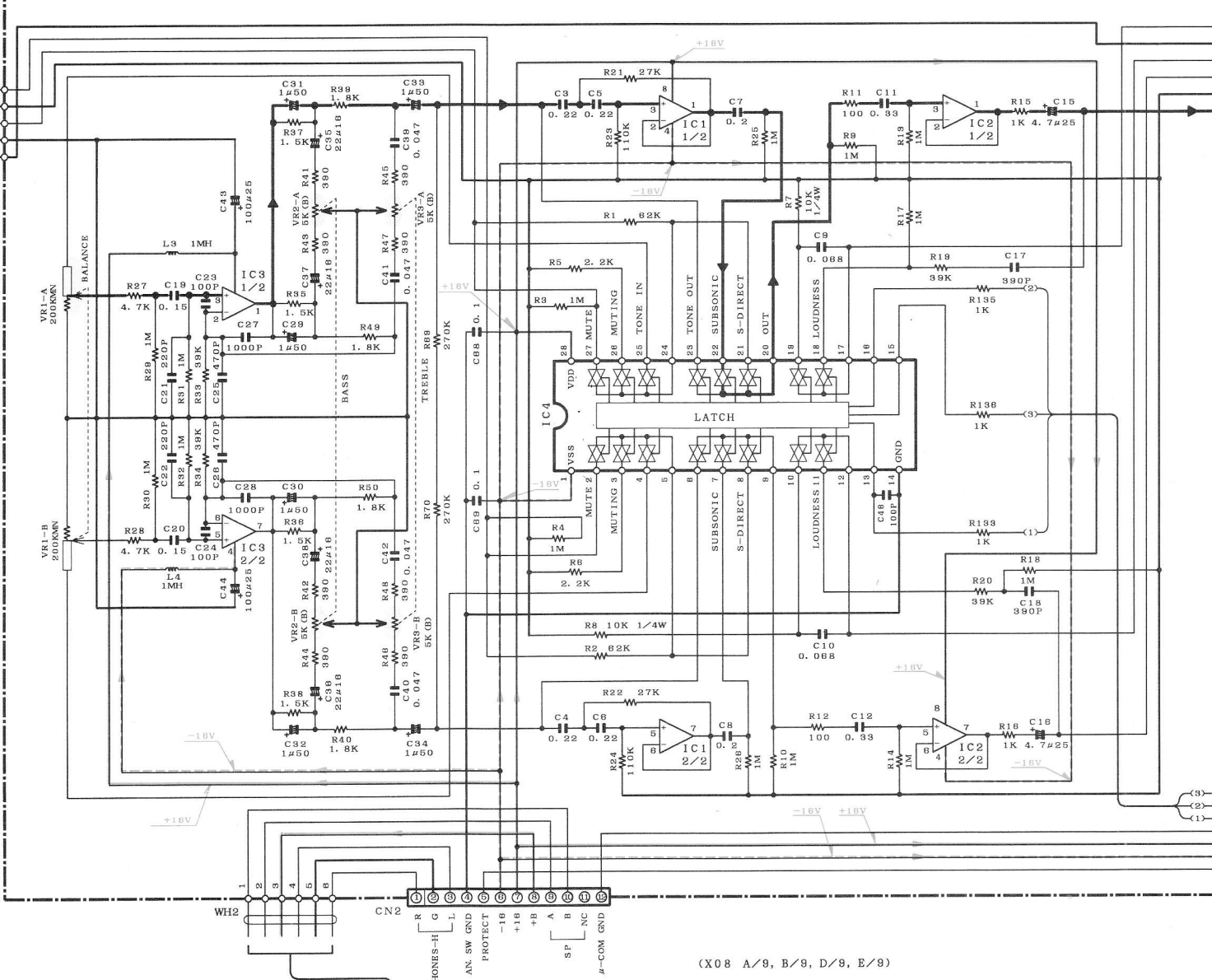




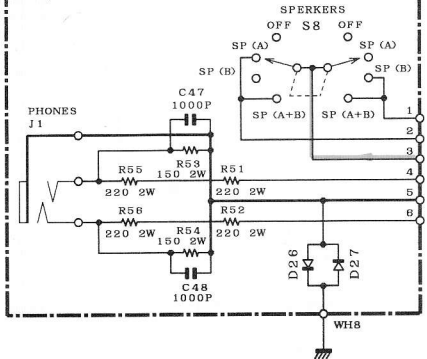
(A, F)

(C)

X11-3112-70 B/4



X11 D/4



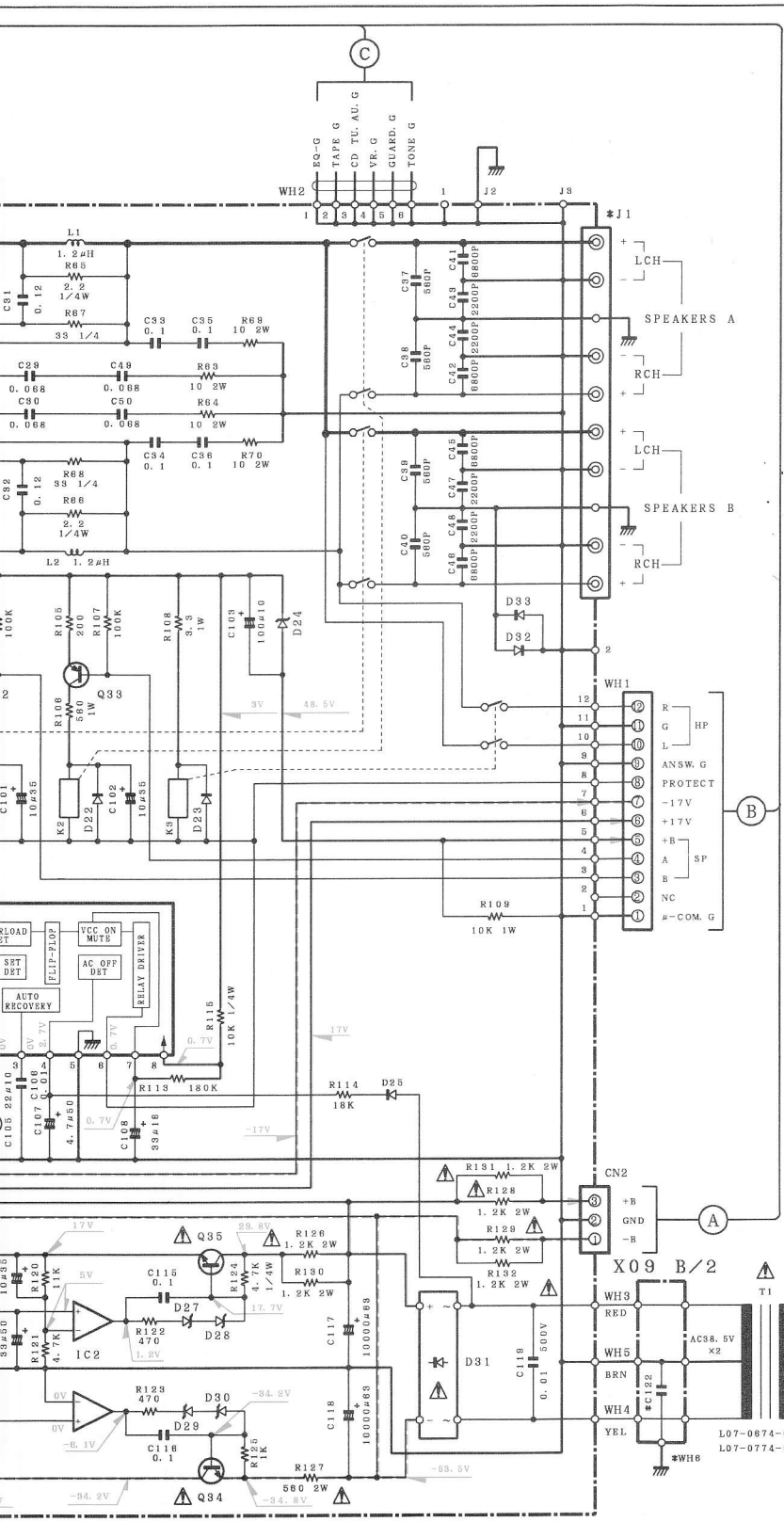
(X11 B/4, D/4)

- IC1, 8 : NJM4565D-D
- IC2 : NJM4580D-D
- IC4 : TC9163N
- D26, 27 : ISS133 or HSS104

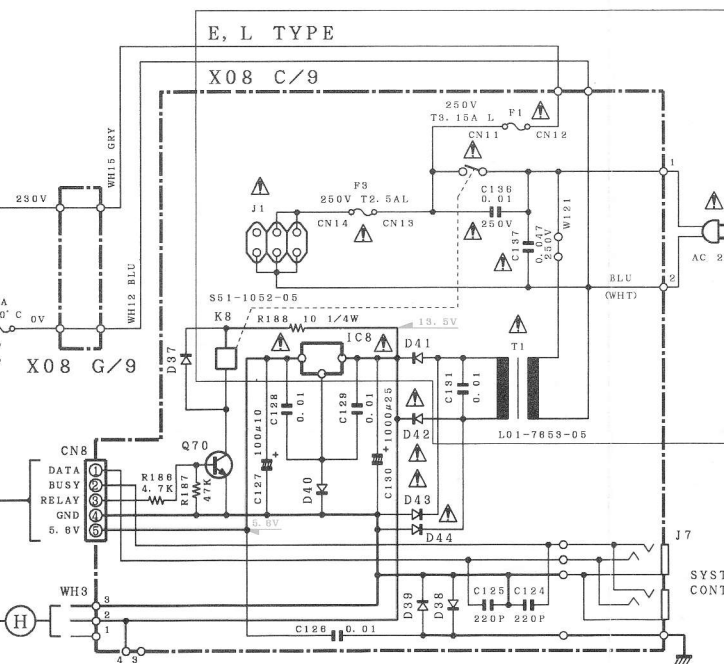
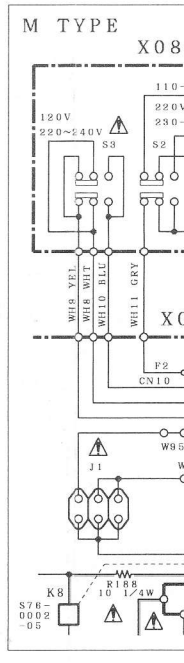
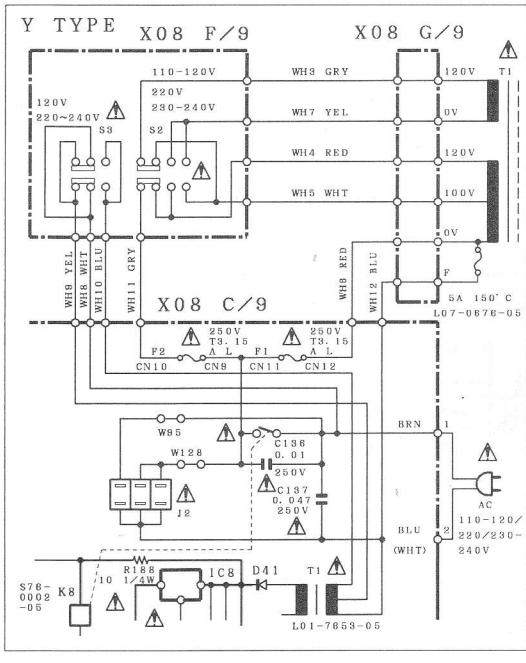
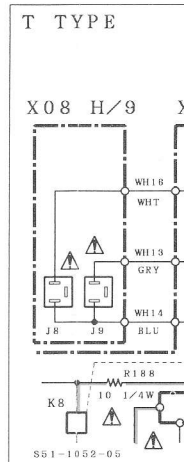
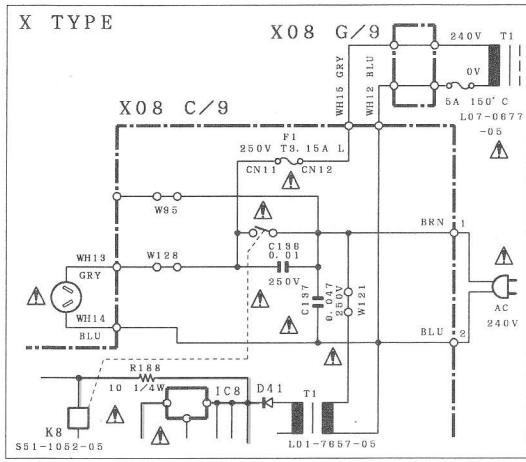
(X08 A/9, B/9, D/9, E/9)

- IC1, 2 : NJM4565D-D
- IC3~6 : LC4966
- IC7 : TA8409S
- Q1~4, 19~22, 46 : 2SC1845 (F, E)
- Q5~8 : 2SK170 (BL, V)
- Q13, 14 : 2SC2878 (B)
- Q15~18 : 2SC2632 (R, S)
- Q23, 24 : 2SC2458 (Y, GR) or 2SC3311A (Q, R)
- Q25, 26, 29, 30 : 2SA1048 (Y, GR) or 2SA1309A (Q, R)
- Q27, 28, 45 : 2SA992 (F, E)
- Q41~43 : 2SD2081 (E, F) or 2SD2012
- Q44 : 2SB1370 (E, F) or 2SB1375
- Q47~53, 62~69 : UN4212 or DTC124ES
- Q54~61, 71 : UN4112 or DTA124ES
- D1, 2 : E-102
- D3~8, 21 : RD5.1JS (B2) or HZS5.1S (B2)
- D9, 10 : E-501
- D11~20, 30~36 : ISS133 or HSS104
- 48~49 : RD7.5JS (B) or HZS7.5S (B)
- D22, 23, 28, 29 : RD15JS (B) or HZS15S (B)
- D24, 25 : RD30ES (B) or HZS30N (B)
- D26, 27 : RD2.7ES (B) or HZS2.7N (B)
- D45 : RD2.7ES (B) or HZS2.7N (B)

(B)



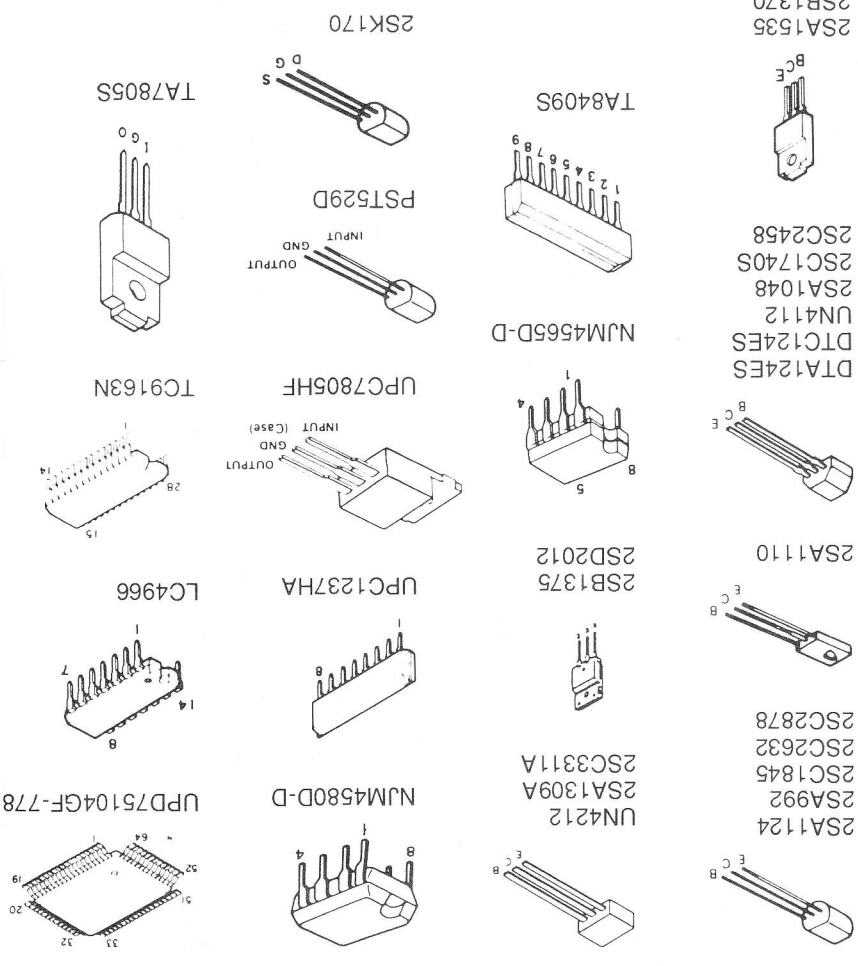
- |                                     |  |
|-------------------------------------|--|
| Q21~24 : 2SC1845 (F, E)             | D24, 26 : RD5. 1JS (B2) or HZS5. 1S (B2) |
| Q32, 33 : 2SA1110 (Q, R)            | D27, 28 : RD7. 5JS (B) or HZS7. 5S (B)   |
| Q34, 35 : 2SD2061 (E, F) or 2SD2012 | D29, 30 : RD15JS (B) or HZS15S (B)       |
|                                     | D31 : D5FB20*1                           |
| D1~12, 15 : HSS104 or 1SS133        |  |
| 16, 32, 33                          |  |
| D13, 14 : HSS104A or 1SS131         |  |
| 21~23, 25                           |  |



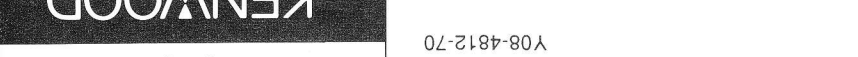
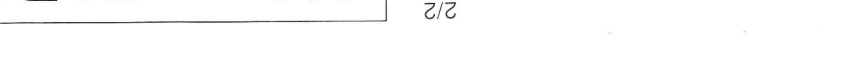
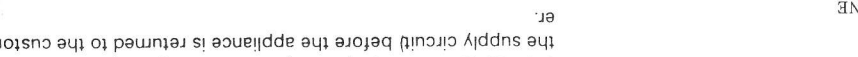
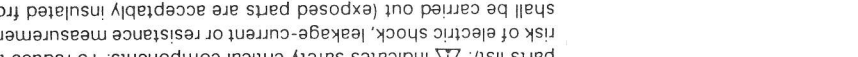
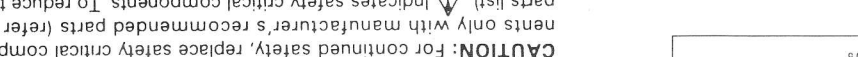
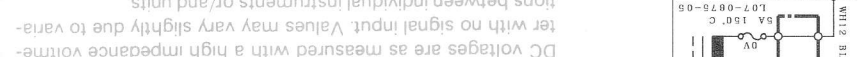
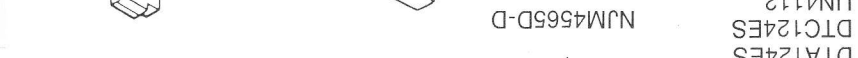
SYSTEM CONT.

**CAUTION:** For continued safety, replace safety critical components only with manufacturer's recommended parts (refer to parts list).  $\Delta$  indicates safety critical components. To reduce the risk of electric shock, leakage-current or resistance measurements shall be carried out (exposed parts are acceptably insulated from the supply circuit) before the appliance is returned to the custom-er.

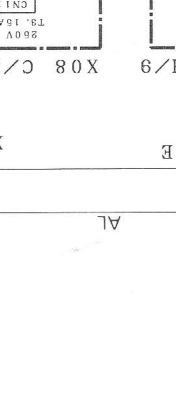
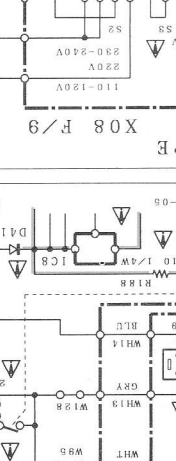
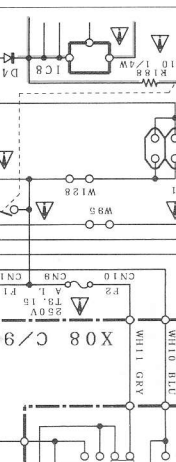
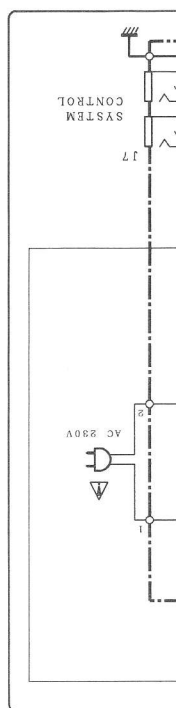
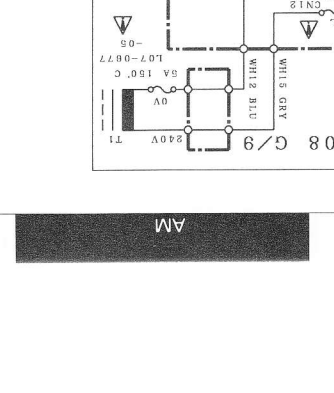
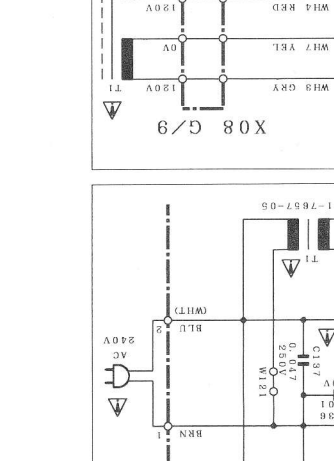
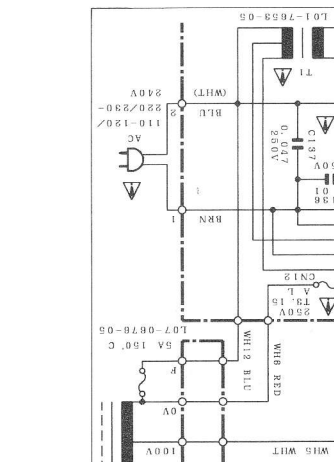
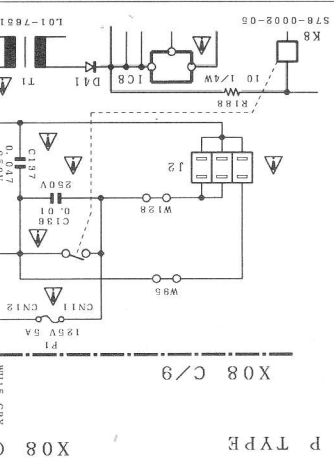
DC voltages are as measured with a high impedance voltmeter with no signal input. Values may vary slightly due to variations between individual instruments or/and units.  
Les tensions c.c. doivent être mesurées avec un voltmètre à haute impédance sans signal d'entrée. Les valeurs peuvent différer légèrement du fait des variations inhérentes aux appareils et aux instruments de mesure individuels.  
Die angegebenen Gleichspannungswerte wurden mit einem hochohmigen Spannungsmesser ohne Eingangssignal gemessen. Dabei schwanken die Meßwerte aufgrund von Unterschieden zwischen einzelnen Instrumenten oder Geräten u. U. geringfügig.



- 2SA1124
- 2SA992
- 2SC1845
- 2SC2632
- 2SC2878
- 2SA1110
- 2SA124ES
- DTC124ES
- UN4112
- 2SA1048
- 2SC1740S
- 2SC2458
- 2SA1535
- 2SB1370
- 2SC3944
- 2SD2061
- UN4212
- 2SA1309A
- 2SC3311A
- 2SB1375
- 2SD2012
- 2SA1124
- 2SA992
- 2SC1845
- 2SC2632
- 2SC2878
- 2SA1110
- 2SA124ES
- DTC124ES
- UN4112
- 2SA1048
- 2SC1740S
- 2SC2458
- 2SA1535
- 2SB1370
- 2SC3944
- 2SD2061



SIGNAL LINE  
+B LINE  
-B LINE  
GND LINE



Die angegebenen Gleichspannungswerte wurden mit einem hochohmigen Spannungsmesser ohne Eingangssignal gemessen. Dabei schwanken die Meßwerte aufgrund von Unterschieden zwischen einzelnen Instrumenten oder Geräten u. geringfügig.

Les tensions c.c. doivent être mesurées avec un voltmètre à haute impédance sans signal d'entrée. Les valeurs peuvent différer légèrement du fait des variations inhérentes aux appareils et aux instruments de mesure individuels.

DC voltages are as measured with a high impedance voltmeter with no signal input. Values may vary slightly due to variations between individual instruments or and units.

**CAUTION:** For continued safety, replace safety critical components only with manufacturer's recommended parts (refer to parts list).  $\nabla$  Indicates safety critical components. To reduce the risk of electric shock, leakage-current or resistance measurements shall be carried out (exposed parts are acceptably insulated from the supply circuit) before the appliance is returned to the customer.

er.

TO X08 CN2

TO X09 WH1

TO X09 WH2

TO X09 WH2

TO X08 CN1

TO X09 CN1

TO X11 WH3

TO X11 WH3

TO X11 WH3

TO X08 CN2

TO X09 WH1

TO X09 WH2

TO X09 WH2

TO X08 CN1

TO X11 WH3

TO X11 WH3

TO X11 WH3

TO X08 CN2

TO X09 WH1

TO X09 WH2

TO X09 WH2

TO X08 CN1

TO X11 WH3

TO X11 WH3

TO X11 WH3

TO X08 CN2

TO X09 WH1

TO X09 WH2

TO X09 WH2

TO X08 CN1

TO X11 WH3

TO X11 WH3

TO X11 WH3

TO X08 CN2

TO X09 WH1

TO X09 WH2

TO X09 WH2

TO X08 CN1

TO X11 WH3

TO X11 WH3

TO X11 WH3

TO X08 CN2

TO X09 WH1

TO X09 WH2

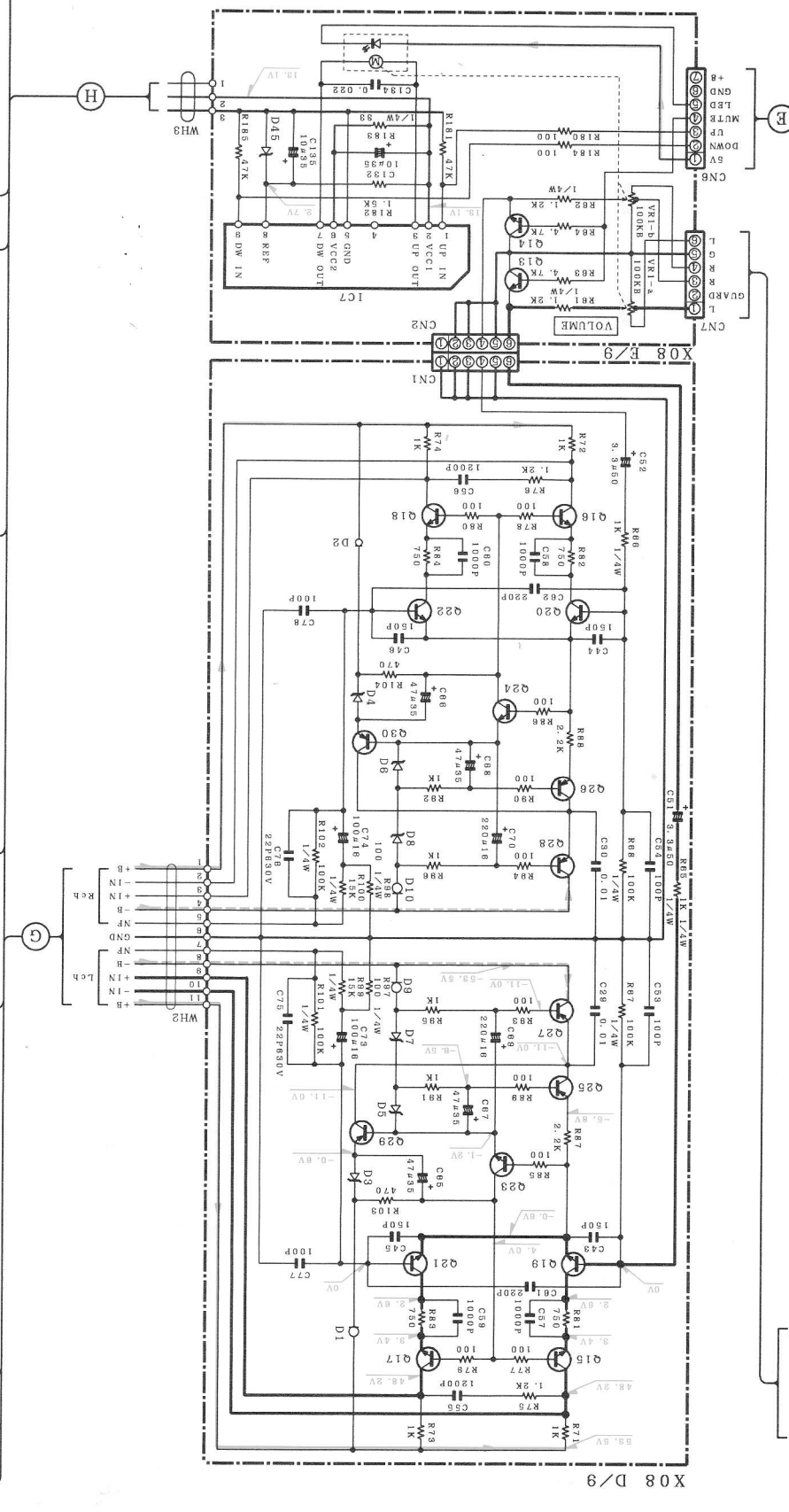
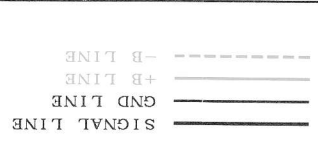
TO X09 WH2

TO X08 CN1

TO X11 WH3

TO X11 WH3

TO X11 WH3



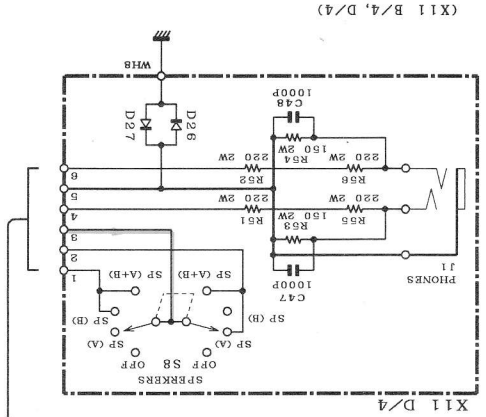


(A, F)

(F)

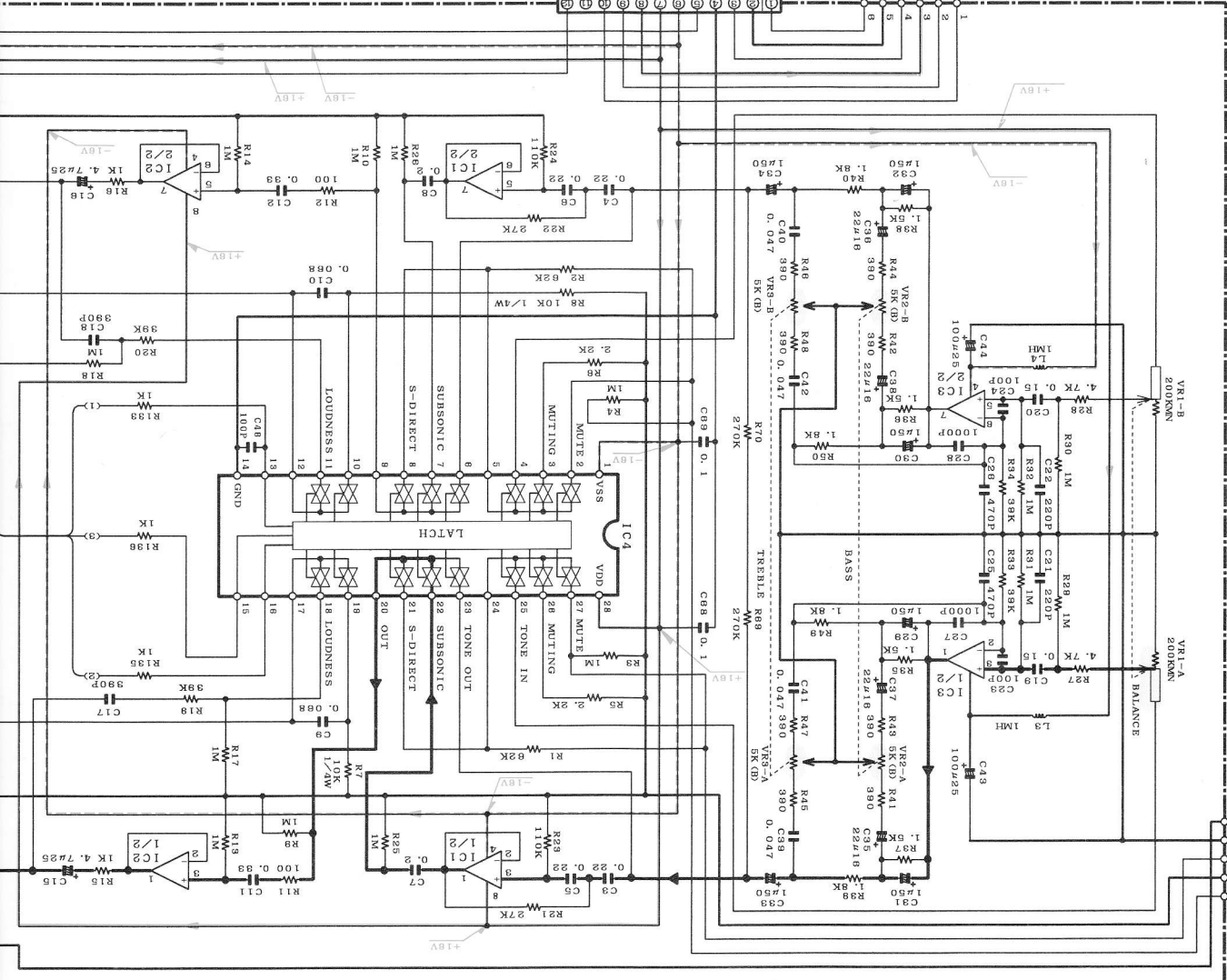
(A)

IC1, 8 : NJM4565D-  
 IC2 : NJM4580D-D  
 IC4 : TC9189N  
 D26, 27 : 1SS133 $\phi$ HSS104



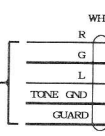
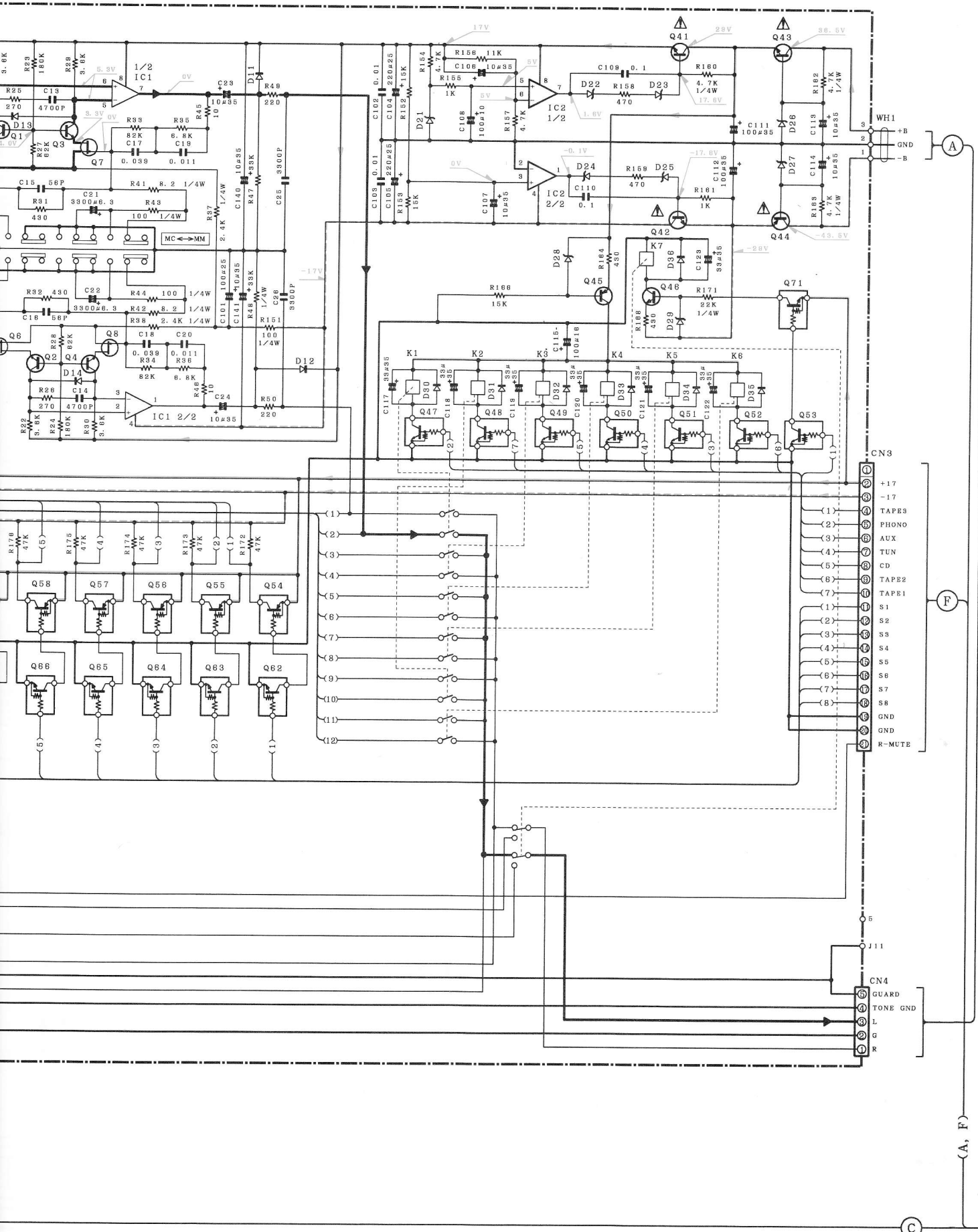
IC1, 2 : NJM4565D-  
 IC3, 6 : CA966  
 IC7 : TA8409S  
 Q5~8 : 2SK170 (BL, V)  
 Q5~18 : 2SC2878 (B)  
 Q23, 24 : 2SC2878 (R, S)  
 Q15~18 : 2SC2878 (R, S)  
 Q25, 26, 29, 30 : 2SA1048 (Y, GR) or 2SA1309A  
 Q27, 28, 45 : 2SA982 (F, E)  
 Q41~43 : 2SD2012  
 Q44 : 2SB170 (E, F) or 2SB1375  
 Q47~53, 62~69 : UN4212 or DTA124BS  
 Q64~61, 71 : UN4112 or DTA124BS  
 D1, 2 : E-102  
 D3~8, 21 : RD5, 1J5 (B2) or HZ55, 1S (B2)  
 D9, 10 : E-501  
 D11~20, 80~38 : 1SS133 $\phi$ HSS104  
 46~48 : RD7, 5J5 (B) or HZ57, 5S (B)  
 D24, 25 : RD15J5 (B) or HZ515S (B)  
 D26, 27 : RD30S (B) or HZ530N (B)  
 D45 : RD2, 7S5 (B) or HZ52, 7N (B)

(X08 A/9, B/9, D/9, E/9)



X11-3112-70 B/4

O N M L K J



- CN3
- ① +17
  - ② -17
  - ③ TAPE3
  - ④ PHONO
  - ⑤ AUX
  - ⑥ TUN
  - ⑦ CD
  - ⑧ TAPE2
  - ⑨ TAPE1
  - ⑩ S1
  - ⑪ S2
  - ⑫ S3
  - ⑬ S4
  - ⑭ S5
  - ⑮ S6
  - ⑯ S7
  - ⑰ S8
  - ⑱ GND
  - ⑲ GND
  - ⑳ R-MUTE

- CN4
- ① GUARD
  - ② TONE GND
  - ③ L
  - ④ G
  - ⑤ R

(A, F)

(C)



## PARTS LIST

× New Parts

Parts without Parts No. are not supplied.

Les articles non mentionnés dans le Parts No. ne sont pas fournis.

Teile ohne Parts No. werden nicht geliefert.

Ref. No. 参照番号	Address 位置	New Parts 新	Parts No. 部品番号	Description 部品名 / 規格	Desti- nation 仕向	Re- marks 備考
<b>KA-5050R</b>						
601	1A	*	A01-3054-01	METALLIC CABINET		
602	2A	*	A60-0379-21	PANEL ASSY		
603	3B	*	A60-0380-02	PANEL		
605	1B	*	A70-0932-05	REMOTE CONTROLLER ASSY		
606	1B	*	A09-0146-08	BATTERY COVER		
609	3B		B01-0482-01	PANEL ESCUTCHEON		
610	2B		B11-0237-14	COLOR FILTER		
611	2A, 3B		B12-0163-04	INDICATOR		
612	2A		B12-0232-04	INDICATOR		
613	2A		B43-0287-04	KENWOOD BADGE		
-			B46-0094-03	WARRANTY CARD	Y	
-			B46-0095-03	WARRANTY CARD	Y	
-			B46-0096-33	WARRANTY CARD	X	
-			B46-0121-23	WARRANTY CARD	P	
-			B46-0122-23	WARRANTY CARD	EL	
-			B46-0143-13	WARRANTY CARD	T	
-			B58-0513-04	CAUTION CARD (PRESET220-240)	Y	
-		*	B60-1131-00	INSTRUCTION MANUAL (ENGLISH)		
-		*	B60-1132-00	INSTRUCTION MANUAL (FRENCH)	ELP	
-		*	B60-1133-00	INSTRUCTION MANUAL (CHINESE)	M	
-		*	B60-1134-00	INSTRUCTION MANUAL (SPANISH)	EM	
-		*	B60-1135-00	INSTRUCTION MANUAL (GE, DU, IT)	EL	
614	2C		D21-1658-03	EXTENSION SHAFT		
△ 615	1B		E03-0115-05	AC PLUG ADAPTER	M	
△ 616	1D		E30-0459-05	AC POWER CORD	ELM	
△ 616	1D		E30-0812-05	AC POWER CORD	Y	
△ 616	1D		E30-0974-05	AC POWER CORD	P	
△ 616	1D		E30-2714-05	AC POWER CORD	X	
△ 616	1D		E30-2718-05	AC POWER CORD	T	
△ 619	2C		E35-0148-05	FLAT CABLE		
-			E03-0141-05	AC OUTLET	X	
621	1D		F20-1322-05	INSULATING BOARD		
622	2A	*	G10-0185-04	NON-WOVEN FABRIC		
-		*	H50-0605-04	ITEM CARTON CASE	ELPYMX	
-		*	H50-0629-04	ITEM CARTON CASE	T	
-		*	H10-5166-12	POLYSTYRENE FOAMED FIXTURE (L)	ELPYMX	
-			H10-5167-02	POLYSTYRENE FOAMED FIXTURE (R)	ELPYMX	
-		*	H10-5501-02	POLYSTYRENE FOAMED FIXTURE (L)	T	
-		*	H10-5502-02	POLYSTYRENE FOAMED FIXTURE (R)	T	
-			H25-0225-04	PROTECTION BAG (850X450X0.03)	ELPYMX	
-			H25-0232-04	PROTECTION BAG (235X350X0.03)	ELPYMX	
-			H25-0651-04	PROTECTION BAG (0232 PRINTED)	T	
-			H25-0654-04	PROTECTION BAG (0225 PRINTED)	T	
624	3C		J02-1072-05	FOOT		
626	2B		J19-3328-15	UNIT HOLDER		
△ 629	1D		J42-0083-05	POWER CORD BUSHING		
-			J61-0307-05	WIRE BAND		
630	2B		K29-3405-04	KNOB CARTRIDGE (MM/MC)		
631	2A		K29-4210-03	KNOB POWER		
632	3A		K29-4212-04	KNOB INPUT SELECTOR		

L:Scandinavia

K:USA

P:Canada

Y:PX(Far East, Hawaii)

T:England

E:Europe

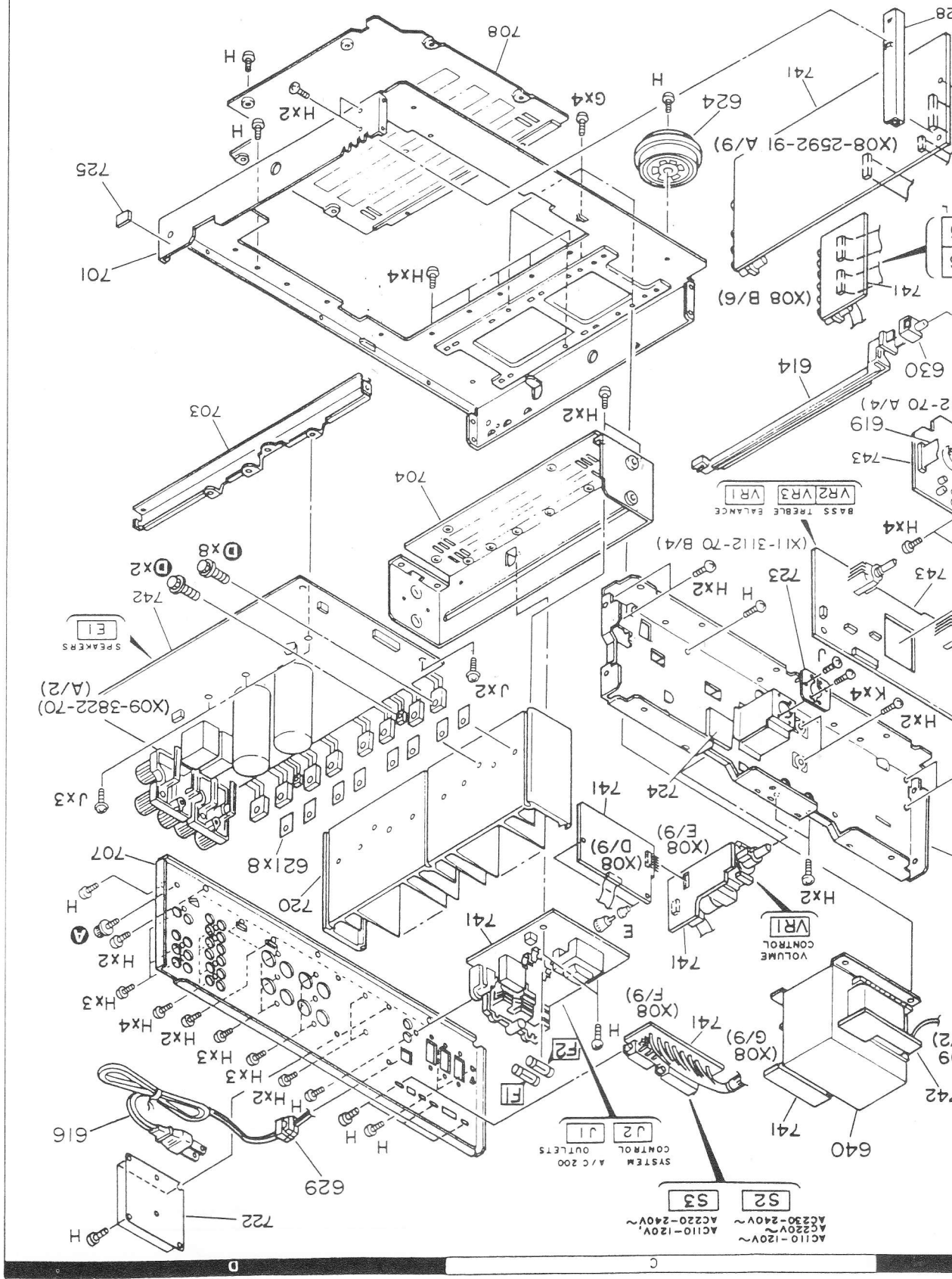
Y:AAFES(Europe)

X:Australia

M:Other Areas

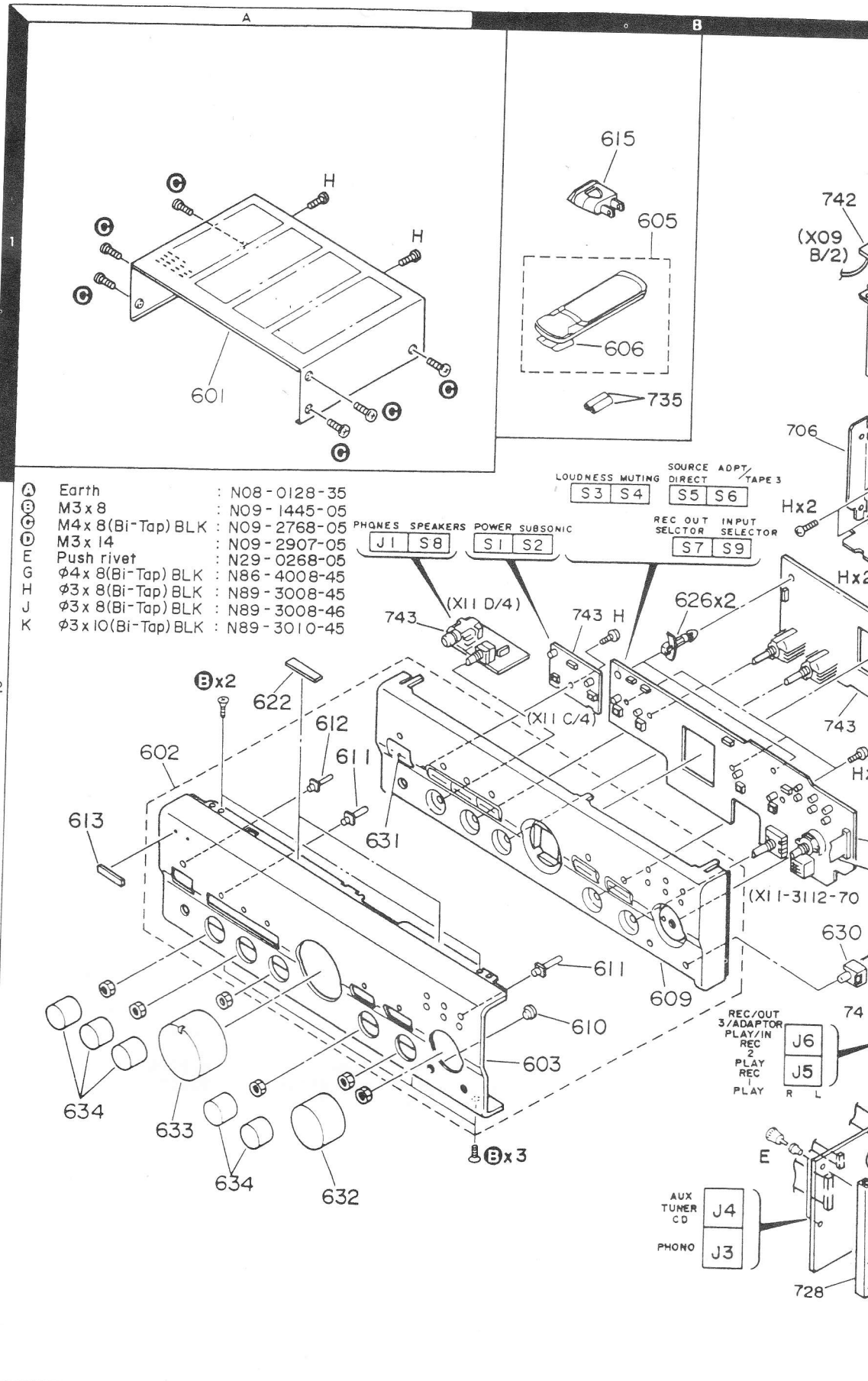
△ indicates safety critical components.

# KA-5050R

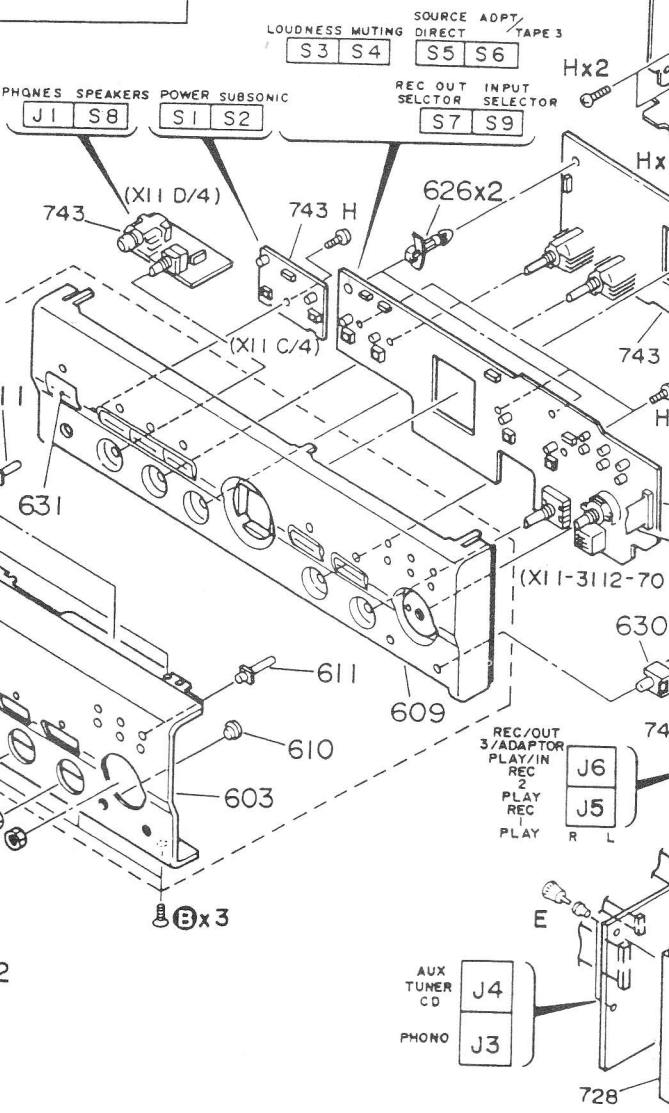


Parts with the exploded numbers larger than 700 are not supplied.

EXPLODED VIEW



- A Earth : N08-0128-35
- B M3 x 8 : N09-1445-05
- C M4 x 8 (Bi-Tap) BLK : N09-2768-05
- D M3 x 14 : N09-2907-05
- E Push rivet : N29-0268-05
- F  $\phi$ 4 x 8 (Bi-Tap) BLK : N86-4008-45
- G  $\phi$ 3 x 8 (Bi-Tap) BLK : N89-3008-45
- H  $\phi$ 3 x 8 (Bi-Tap) BLK : N89-3008-46
- K  $\phi$ 3 x 10 (Bi-Tap) BLK : N89-3010-45



2

3

## PARTS LIST

\* New Parts

Parts without Parts No. are not supplied.

Les articles non mentionnes dans le Parts No. ne sont pas fournis.

Teile ohne Parts No. werden nicht geliefert.

Ref. No. 参照番号	Address 位置	New Parts 新	Parts No. 部品番号	Description 部品名 / 規格	Desti- nation 仕 向	Re- marks 備考
633	3A	*	K29-4213-14	KNØB VOLUME		
634	3A		K29-4216-04	KNØB SP, TØNE, BAL, REC ØUT SEL		
△ 640	1C	*	L07-0674-05	POWER TRANSFORMER	E	
△ 640	1C	*	L07-0675-05	POWER TRANSFORMER	P	
△ 640	1C	*	L07-0676-05	POWER TRANSFORMER	YM	
△ 640	1C	*	L07-0677-05	POWER TRANSFORMER	XT	
△ 640	1C	*	L07-0774-05	POWER TRANSFORMER	L	
A	1D		N08-0128-35	BINDING POST (EARTH)		
B	2A, 3B		N09-1445-05	SET SCREW (M3X8)		
C	1A		N09-2768-05	SEMS (TAPTITE SCREW)(4X8)		
D	2D		N09-2907-05	SEMS (TAPTITE SCREW)(3X14)		
E	3B, 1C		N29-0268-05	PUSH RIVET		
G	1D, 3D		N86-4008-45	BINDING HEAD TAPTITE SCREW		
H	2C, 2D		N89-3008-45	BINDING HEAD TAPTITE SCREW		
J	2C		N89-3008-46	BINDING HEAD TAPTITE SCREW		
K	3C		N89-3010-45	BINDING HEAD TAPTITE SCREW		
<b>PREAMPLIFIER UNIT (X08-259X-XX)</b>						
C1 -6			CF92FV1H151K	MF 150PF K		
C7 ,8			CF92FV1H101K	MF 100PF K		
C9 -12			CF92FV1H122J	MF 1200PF J		
C13 ,14			CF92FV1H472J	MF 4700PF J		
C15 ,16			CC45FSL1H560J	CERAMIC 56PF J		
C17 ,18			CF92FV1H393J	MF 0.039UF J		
C19 ,20			CF92FV1H113J	MF 0.011UF J		
C21 ,22			C90-1951-05	ELECTRØ 3300UF 6.3WV		
C23 ,24			CE04KW1V100M	ELECTRØ 10UF 35WV		
C25 ,26			CF92FV1H332J	MF 3300PF J		
C29 ,30			CF92FV1H103J	MF 0.010UF J		
C31 ,32			CF92FV1H151K	MF 150PF K		
C33 ,34			CF92FV1H221K	MF 220PF K		
C35 -46			CF92FV1H151K	MF 150PF K		
C51 ,52			CE04KW1H3R3M	ELECTRØ 3.3UF 50WV		
C53 ,54			CF92FV1H101K	MF 100PF K		
C55 ,56			CF92FV1H122J	MF 1200PF J		
C57 -60			CF92FV1H102J	MF 1000PF J		
C61 ,62			CF92FV1H221K	MF 220PF K		
C65 -68			CE04KW1V470M	ELECTRØ 47UF 35WV		
C69 ,70			CE04KW1C221M	ELECTRØ 220UF 16WV		
C73 ,74			C90-1917-05	ELECTRØ 100UF 16WV		
C75 ,76			C91-1466-05	FILM 22PF K		
C77 ,78			CF92FV1H101K	MF 100PF K		
C101			CE04KW1E101M	ELECTRØ 100UF 25WV		
C102,103			CF92FV1H103J	MF 0.010UF J		
C104,105			CE04KW1E221M	ELECTRØ 220UF 25WV		
C106,107			CE04KW1V100M	ELECTRØ 10UF 35WV		
C108			CE04KW1A101M	ELECTRØ 100UF 10WV		
C109,110			CF92FV1H104J	MF 0.10UF J		
C111,112			CE04KW1V101M	ELECTRØ 100UF 35WV		
C113,114			CE04KW1V100M	ELECTRØ 10UF 35WV		
C115			CE04KW1C101M	ELECTRØ 100UF 16WV		
C117-123			CE04KW1V330M	ELECTRØ 33UF 35WV		
C124,125			CC45FSL1H221J	CERAMIC 220PF J		
C126			CK45FF1H103Z	CERAMIC 0.010UF Z		
C127			CE04KW1A101M	ELECTRØ 100UF 10WV		

L:Scandinavia

K:USA

P:Canada

Y:PX(Far East, Hawaii)

T:England

E:Europe

Y:AAFES(Europe)

X:Australia

M:Other Areas

△ indicates safety critical components.

# KA-5050R

## PARTS LIST

\* New Parts  
 Parts without Parts No. are not supplied.  
 Les articles non mentionnés dans le Parts No. ne sont pas fournis.  
 Teile ohne Parts No. werden nicht geliefert.

Ref. No.	Address	Parts No.	Description	Parts No.	Address	Ref. No.
C128, 129	CF92FV1H103J	MF	0.010UF J	CF92FV1H103J	MF	C128, 129
C130	CE04KW1E102M	ELECTRO	1000UF 25W	CF92FV1H103J	MF	C130
C131	CF92FV1H103J	MF	0.010UF J	CF92FV1H103J	MF	C131
C132	CE04KW1V100M	ELECTRO	10UF 35W	CF92FV1H223J	MF	C132
C134	CF92FV1H223J	MF	0.022UF J	CE04KW1V100M	ELECTRO	C134
C135	CE04KW1V100M	ELECTRO	10UF 35W	CF92FV1H103J	MF	C135
C136	C91-1439-05	FILM	0.01UF 250VAC	CF92FV1H103J	MF	C136
C137	C91-1444-05	MF	0.047UF 250VAC	CF92FV1H103J	MF	C137
C138, 139	CF92FV1H103J	MF	0.010UF J	CE04KW1V100M	ELECTRO	C138, 139
C140, 141	CE04KW1V100M	ELECTRO	10UF 35W	CE04KW1H010M	ELECTRO	C140, 141
C142, 143	CE04KW1H010M	ELECTRO	1.0UF 50W			
J1	E03-0143-05	AC OUTLET				J1
J2	E03-0142-05	AC OUTLET				J2
J3	E13-0294-05	PHONE JACK (1P)				J3
J4	E13-0634-05	PHONE JACK (3P)				J4
J7	E11-0188-05	MINIATURE PHONE JACK				J7
J8, 9	E03-0109-05	AC OUTLET				J8, 9
F1	F04-5022-05	FUSE (UL)	(125V 5A UL)	F04-5022-05	FUSE (UL)	F1
F1	F05-3121-05	FUSE (SEMKO)	(250V T3, 15A)	F05-3121-05	FUSE (SEMKO)	F1
F1, 2	F05-3121-05	FUSE (SEMKO)	(250V T3, 15A)	F05-3121-05	FUSE (SEMKO)	F1, 2
F3	F05-2525-05	FUSE (SEMKO)	(250V T2, 5A)	F05-2525-05	FUSE (SEMKO)	F3
-	J11-0098-05	WIRE CLAMPER		J13-0075-05	FUSE CLIP	
CN9, -12	J13-0075-05	FUSE CLIP		J13-0075-05	FUSE CLIP	
CN11-14	J13-0075-05	FUSE CLIP		J13-0075-05	FUSE CLIP	
CN11, 12	J13-0075-05	FUSE CLIP		L40-1011-47	SMALL FIXED INDUCTOR(100UH,K)	
L1, 2	L01-7651-05	POWER TRANSFORMER		L01-7653-05	POWER TRANSFORMER	
T1	L01-7653-05	POWER TRANSFORMER		L01-7657-05	POWER TRANSFORMER	
T1	L01-7657-05	POWER TRANSFORMER				
R33, 34	RN14BK2C8202FTS	RN	82.0K	RN14BK2C8202FTS	RN	R33, 34
R35, 36	RN14BK2C6801FTS	RN	6.80K	RN14BK2E1502FTS	RN	R35, 36
R99, 100	RN14BK2E1502FTS	RN	15.0K	RN14BK2E1003FTS	RN	R99, 100
R101, 102	RN14BK2E1003FTS	RN	100K	RD14AB2E101JTS	FL-PROOF RD	R101, 102
R151	RD14AB2E101JTS	FL-PROOF RD	100	RD14AB2E472JTS	FL-PROOF RD	R151
R160	RD14AB2E472JTS	FL-PROOF RD	4.7K	RD14AB2E472JTS	FL-PROOF RD	R160
R162, 163	RD14AB2E472JTS	FL-PROOF RD	4.7K	RD14AB2E330JTS	FL-PROOF RD	R162, 163
R183	RD14AB2E330JTS	FL-PROOF RD	33	RD14AB2E100JTS	FL-PROOF RD	R183
R188	RD14AB2E100JTS	FL-PROOF RD	10	R29-5059-05	POTENTIOMETER	R188
VR1	R29-5059-05	POTENTIOMETER		S76-0027-05	MAGNETIC RELAY	VR1
K1	S76-0027-05	MAGNETIC RELAY		S76-0002-05	MAGNETIC RELAY	K1
K8	S51-1052-05	MAGNETIC RELAY		S40-6036-05	PUSH SWITCH	K8
K8	S76-0002-05	MAGNETIC RELAY		S31-2322-05	SLIDE SWITCH	K8
S1	S40-6036-05	PUSH SWITCH		S62-0001-05	SLIDE SWITCH	S1
S2	S31-2322-05	SLIDE SWITCH				S2
S3	S62-0001-05	SLIDE SWITCH				S3
D1, 2	E-102	CONSTANT CURRENT DIODE				D1, 2
D3, -8	HZS5.1S(B2)	ZENER DIODE				D3, -8
D9, 10	RD5.1JS(B2)	ZENER DIODE				D9, 10
D11, -20	HSS104	DIODE				D11, -20
D21	1SS133	DIODE				D21

L:Scandinavia  
 Y:Pacific Far East, Hawaii  
 T:England  
 E:Europe  
 P:Canada  
 K:USA  
 X:Australia  
 M:Other Areas

△ indicates safety critical components.

# KA-5050R

## SPECIFICATIONS

### For other countries

#### Continuous rated power output

(IHF '66) From 20 Hz to 20,000 Hz 0.04% T.H.D.	
at 8 $\Omega$ .....	80 W + 80 W
(IEC/NF) From 63 Hz to 12,500 Hz, 0.7% T.H.D.	
at 8 $\Omega$ .....	90 W + 90 W
at 4 $\Omega$ .....	135 W + 135 W
Dynamic power .....	105 W (8 $\Omega$ )
	175 W (4 $\Omega$ )

Damping factor .....	220 (50 Hz)
Total harmonic distortion .....	0.04%
	(20 Hz ~ 20,000 Hz, 80 W, 8 $\Omega$ )
	0.002%
	(1 kHz, 40 W, 8 $\Omega$ )

Intermodulation distortion .....	0.002% (80 W, 8 $\Omega$ )
	(70 Hz : 7 kHz = 4 : 1)

#### Frequency response (IHF '78)

TUNER/AUX/TAPE1, 2/CD .....	5 Hz ~ 100 kHz, +0 dB, -3 dB
-----------------------------	------------------------------

PHONO 'RIAA' response .....	20 Hz ~ 20 kHz,
	+0.3 dB, -0.3 dB

#### Maximum input level

PHONO (MM) .....	120 mV, 0.03% T.H.D. at 1 kHz
PHONO (MC) .....	10 mV, 0.03% T.H.D. at 1 kHz

#### Signal to noise ratio

PHONO (MM) .....	87 dB (IHF '66)
	79 dB (IHF '78)
PHONO (MC) .....	68 dB (IHF '66)
	74 dB (IHF '78)
TUNER/AUX/TAPE1, 2/CD .....	104 dB (IHF '66)
	80 dB (IHF '78)

#### Input sensitivity/impedance

PHONO (MM) .....	2.5 mV/47 k $\Omega$
PHONO (MC) .....	0.2 mV/100 $\Omega$
TUNER/AUX/TAPE1, 2/CD .....	200 mV/47 k $\Omega$
ADAPTOR IN .....	200 mV/47 k $\Omega$

#### Tone control

BASS .....	$\pm 10$ dB (at 100 Hz)
TREBLE .....	$\pm 10$ dB (at 10 kHz)

#### Filter

SUBSONIC filter .....	18 Hz, -12 dB/oct
-----------------------	-------------------

#### Loudness control

(VOLUME at -30 dB level) .....	+6 dB (100 Hz)
	+3 dB (10 kHz)

#### Output level/impedance

TAPE REC .....	200 mV/300 $\Omega$
ADAPTOR OUT .....	200 mV/300 $\Omega$

#### General

Power consumption .....	270 W
-------------------------	-------

#### AC outlet

For Australia	
SWITCHED .....	1; (200 W max.)

#### For other countries

SWITCHED .....	3; (Total 200 W max.)
----------------	-----------------------

Dimensions .....	W: 440 mm
------------------	-----------

H: 147 mm

D: 403 mm

Weight (net) .....	12 kg
--------------------	-------

#### Note:

KENWOOD follows a policy of continuous advancements in development. For this reason specifications may be change without notice.

## KENWOOD CORPORATION

Alive Mitake, 2-5, 1-chome Shibuya, Shibuya-ku, Tokyo 150, Japan

#### KENWOOD U.S.A. CORPORATION

P.O. BOX 22745, 2201 East Dominguez St., Long Beach, CA 90810 U.S.A.  
550 Clark Drive, Mount Olive, New Jersey 07828, U.S.A.  
99-994 Iwaena St. Aiea, Hawaii 96701

#### KENWOOD ELECTRONICS CANADA INC.

6070 Kestrel Road, Mississauga, Ontario, Canada L5T 1S8

#### KENWOOD ELECTRONICS LATIN AMERICA S.A.

P.O. BOX 55-2791, Piso 6 Plaza Chase, Cl. 47 y Aquilino de la Guardia, Panama, Republic de Panama

#### TRIO-KENWOOD U.K. LIMITED

KENWOOD House, Dwight Road, Watford, Herts, WD1 8EB United Kingdom

#### KENWOOD ELECTRONICS BENELUX N.V.

Mechelsesteenweg 418 B-1930 Zaventem, Belgium

#### KENWOOD ELECTRONICS DEUTSCHLAND GMBH

Rembrücker Str. 15, 6056 Heusenstamm, Germany

#### TRIO-KENWOOD FRANCE S.A.

13 Boulevard Ney, 75018 Paris, France

#### KENWOOD LINEAR S.p.A.

20125, Milano-Via Arbe, 50, Italy

#### KENWOOD ESPAÑA S.A.

Bolivia, 239-08020 Barcelona, Spain

#### KENWOOD ELECTRONICS AUSTRALIA PTY. LTD. (A.C.N. 001 499 074)

P.O. BOX 504, 8 Figtree Drive, Australia Centre, Homebush, N.S.W. 2140, Australia

#### KENWOOD & LEE ELECTRONICS, LTD.

Unit 3712-3724, Level 37 Tower 1, Metroplaza, 223 Hing Fong Road, Kwai Fong N.T. Hong Kong

#### KENWOOD ELECTRONICS SINGAPORE PTE LTD

No. 1 Genting Lane # 07-00, Singapore, 1334

Kenwood follows a policy of continuous advancements in development.  
For this reason specifications may be changed without notice.

Kenwood poursuit une politique de progrès constants en ce qui concerne le développement.  
Pour cette raison, les spécifications sont sujettes à modifications sans préavis.

Kenwood strebt ständige Verbesserungen in der Entwicklung an.  
Daher bleiben Änderungen der technischen Daten jederzeit vorbehalten.