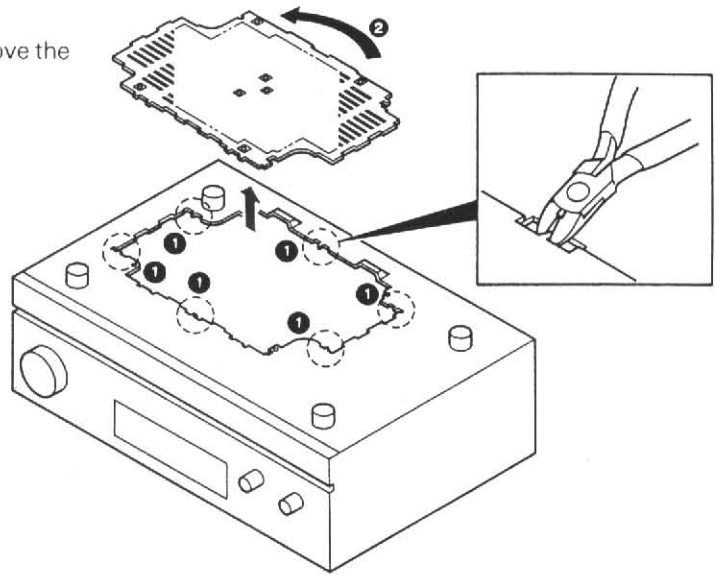


* Refer to parts list on page 22.

DISASSEMBLY FOR REPAIR

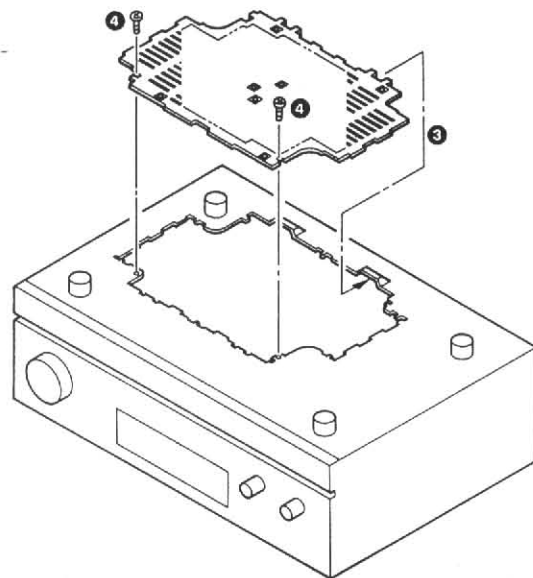
How to remove the repairing chassis

- 1 Cut the 6 parts ① of the repairing chassis. Remove the repairing chassis from main chassis.

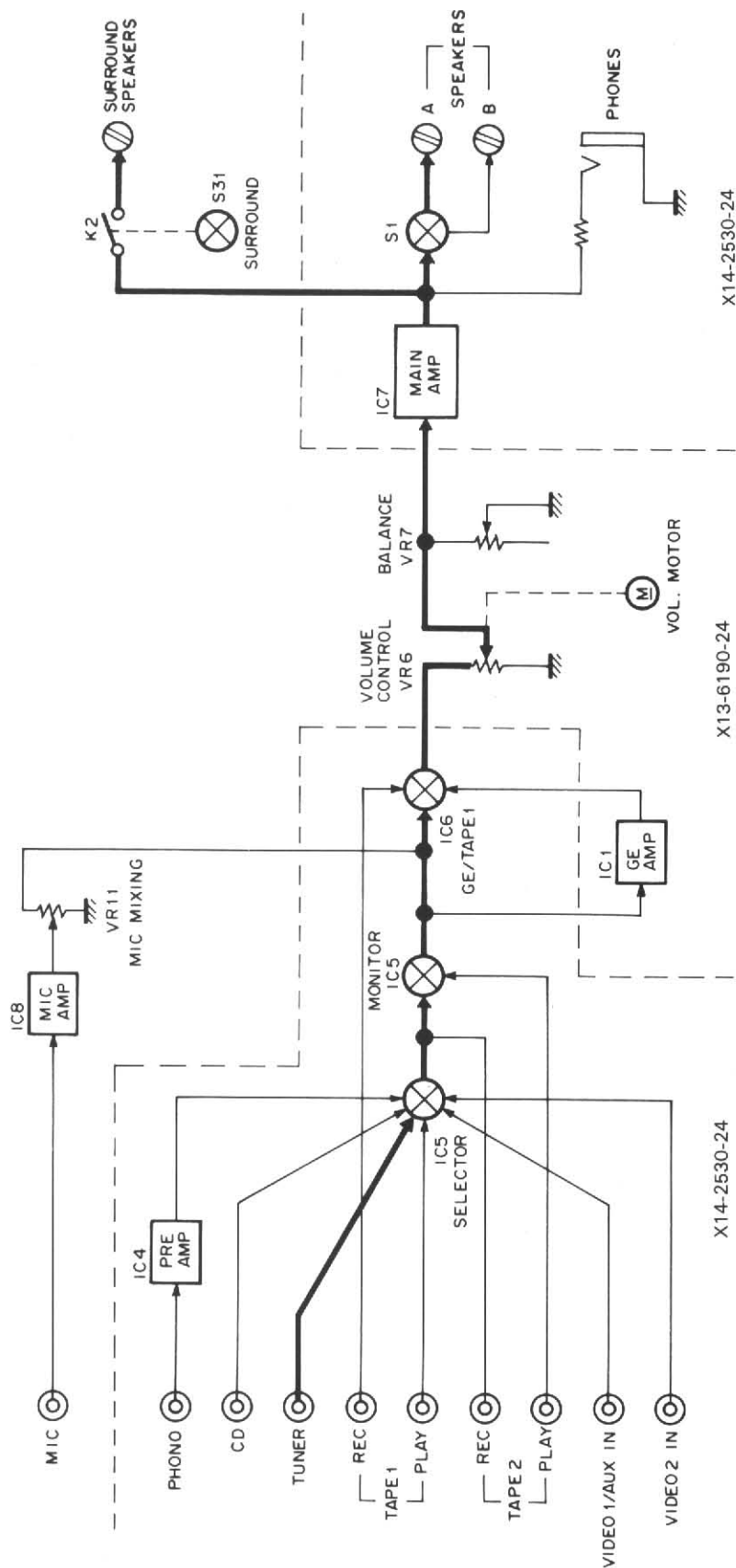


After repair

- 2 Turn the repairing chassis 180 degrees in the arrow direction ②.
- 3 Insert the 2 claws ③ into main chassis.
- 4 Lock to the main chassis by 2 screws (M3 × 6) ④.



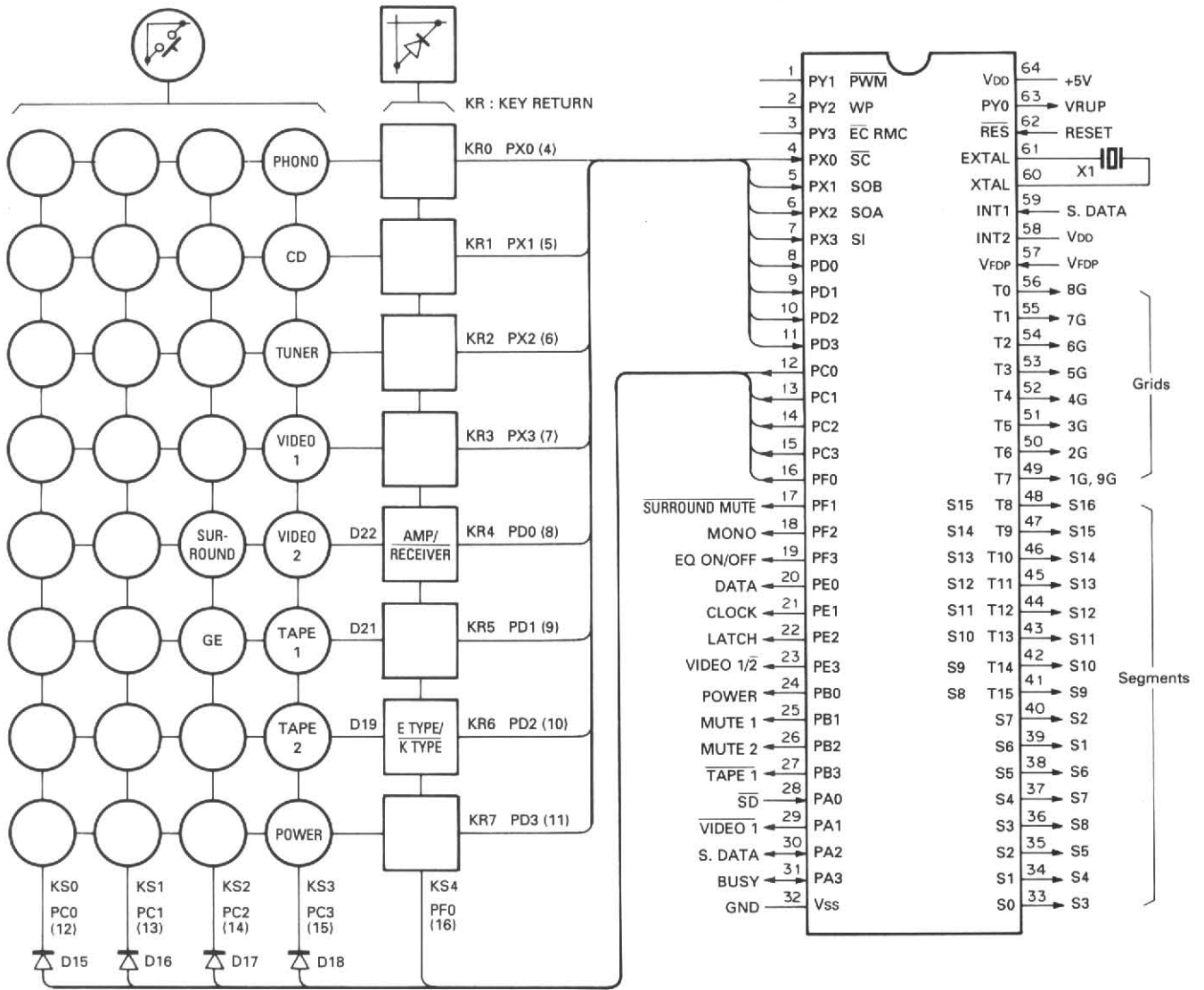
BLOCK DIAGRAM



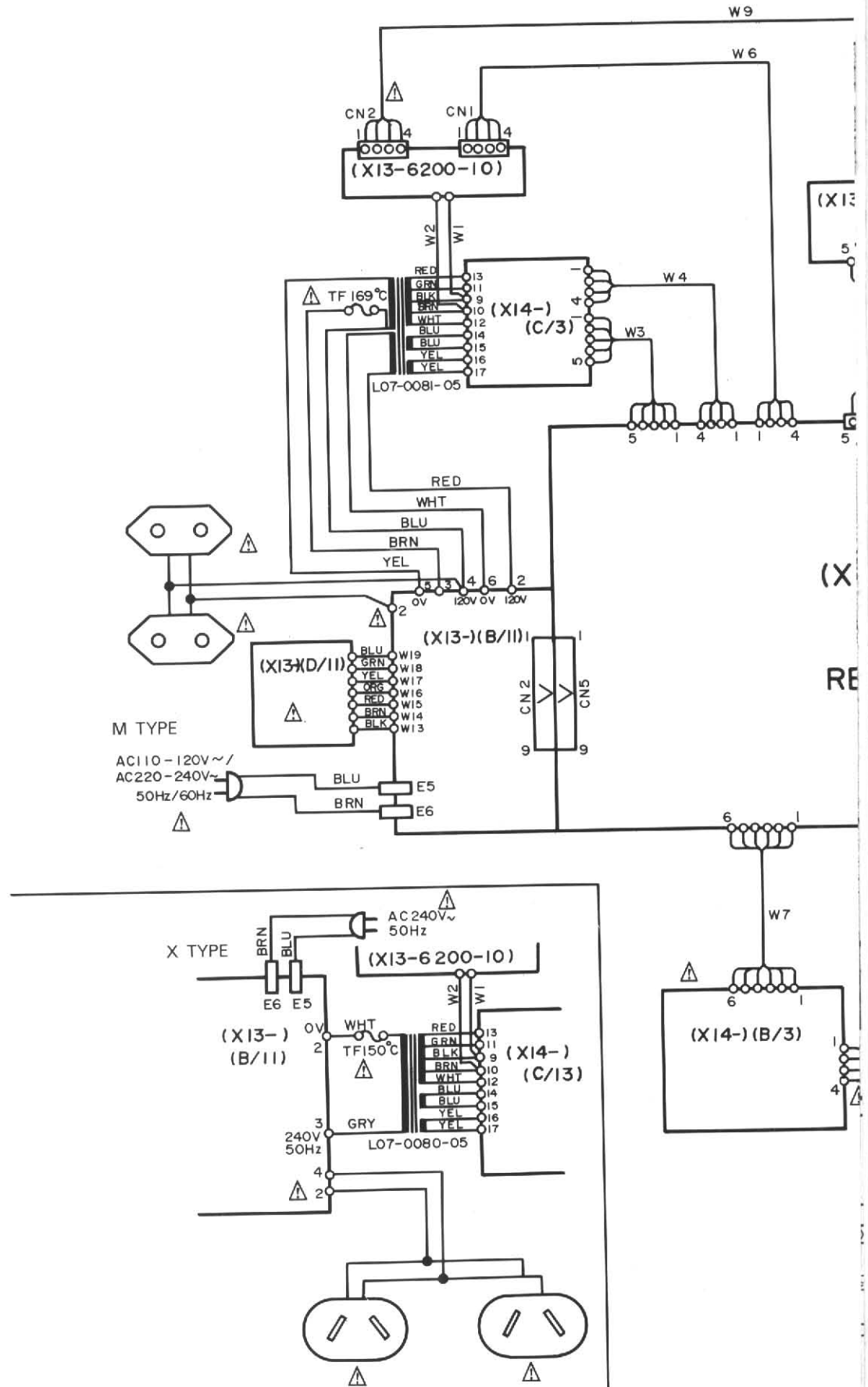
CIRCUIT DESCRIPTION

1. CXP5016-330S: Microprocessor (X13-619X-XX : IC5)

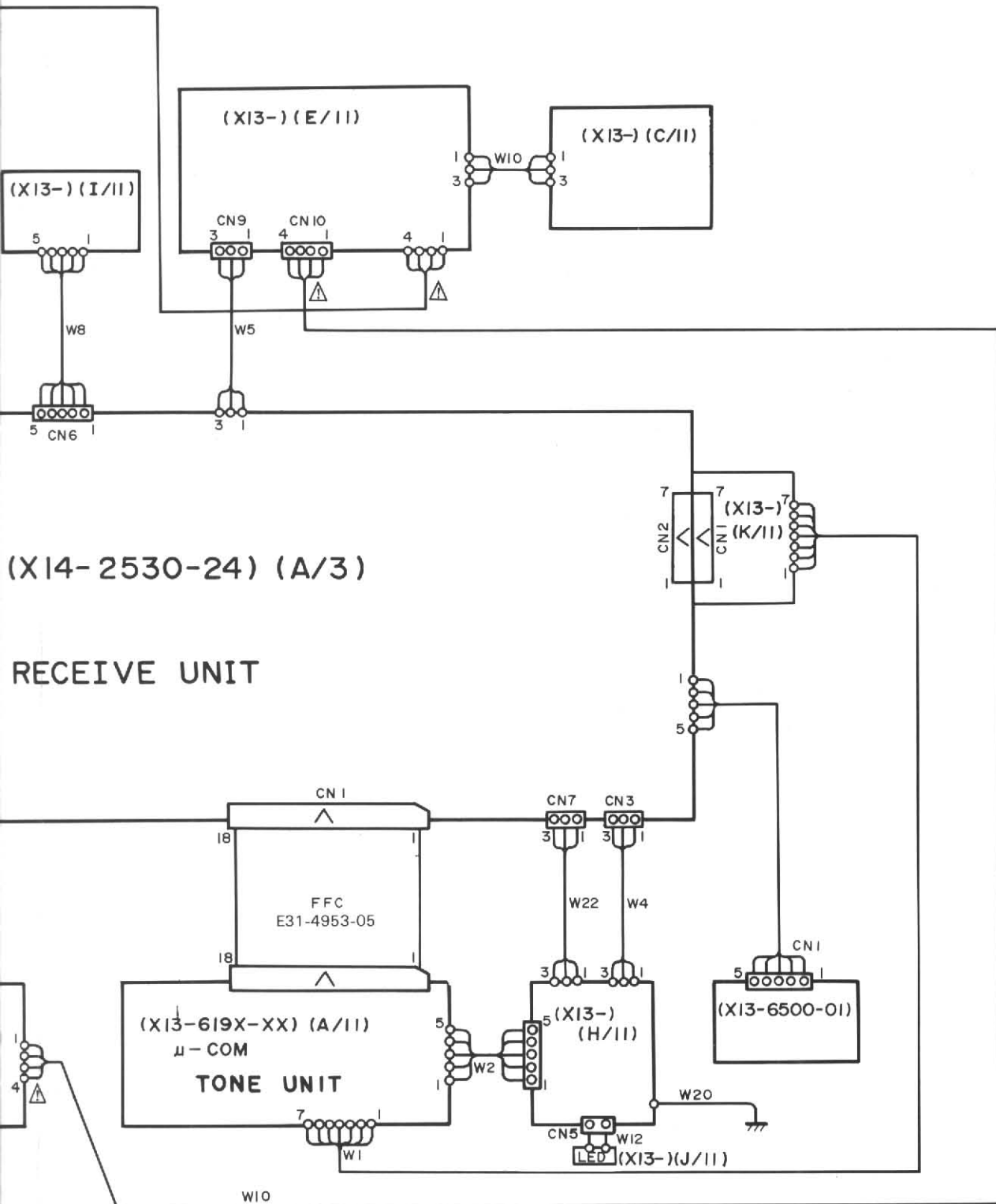
1-1. Key matrix connections



WIRING DIAGRAM



KA-79



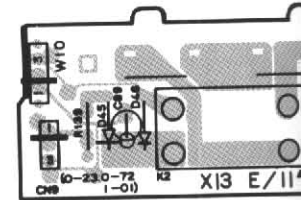
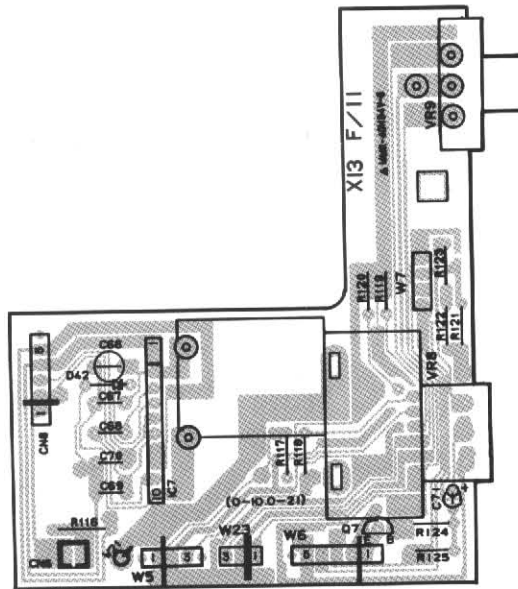
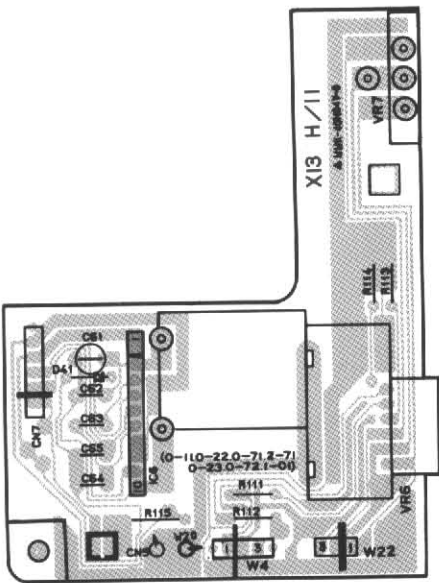
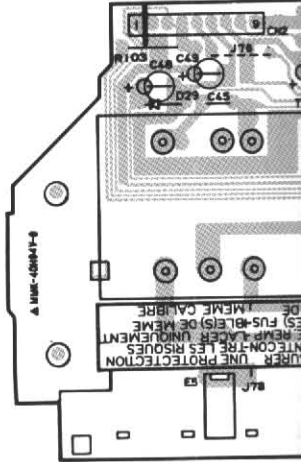
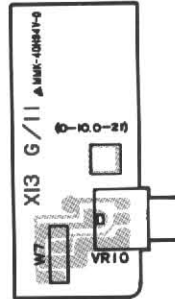
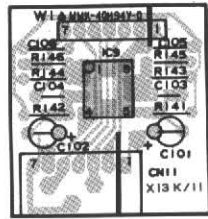
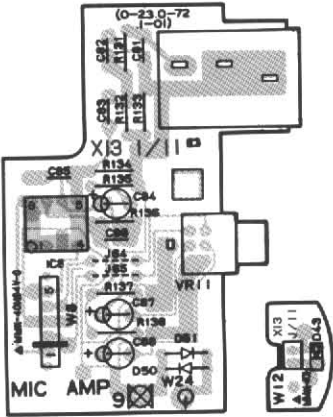
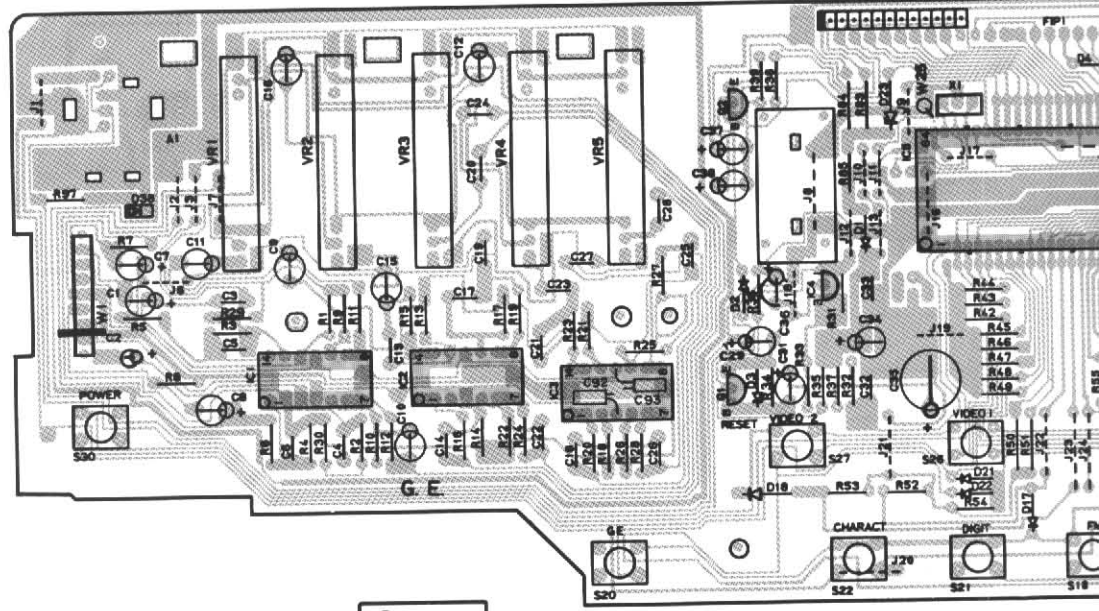
(X14-2530-24) (A/3)

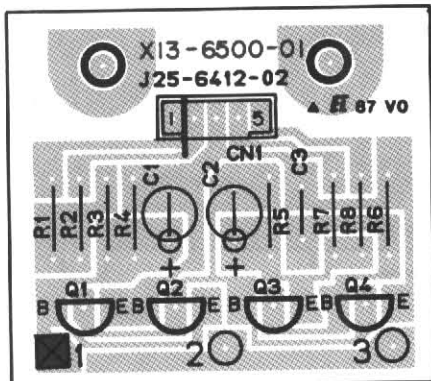
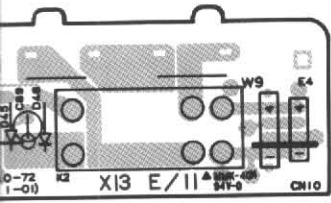
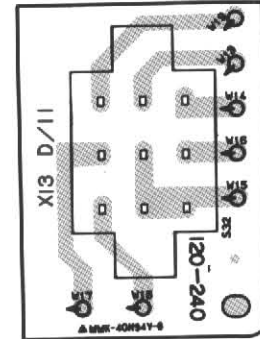
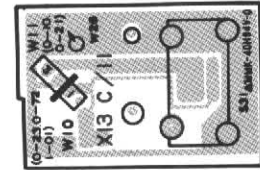
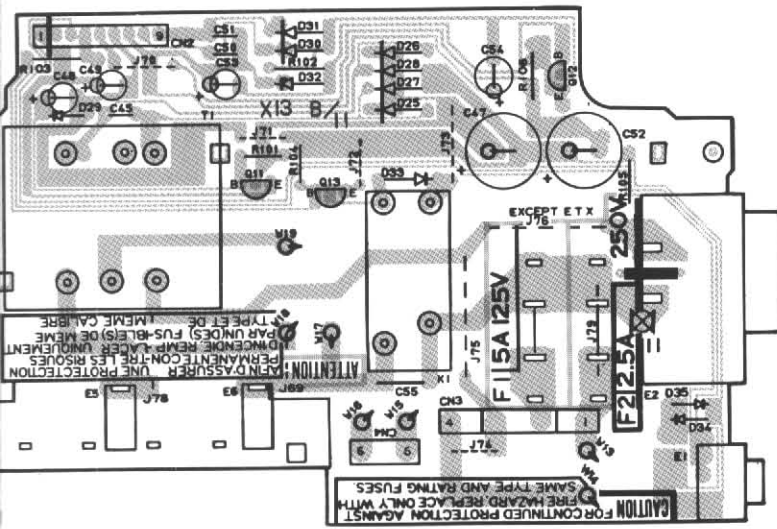
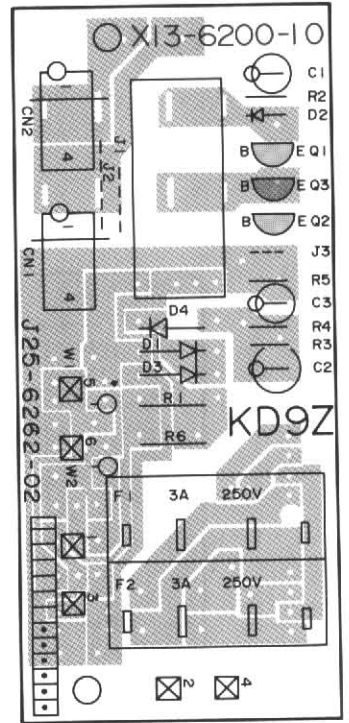
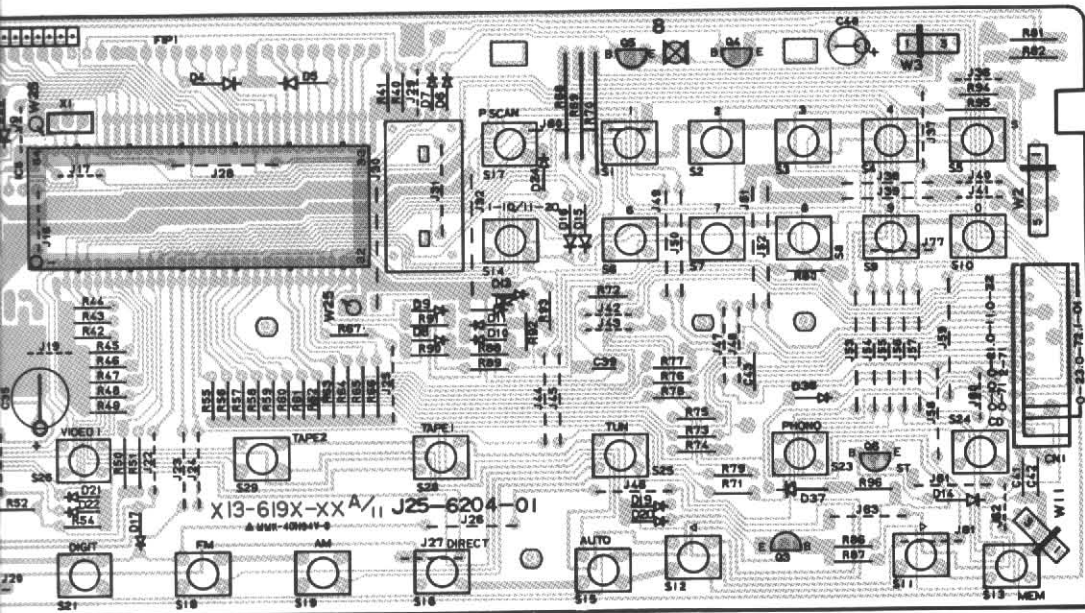
RECEIVE UNIT

| | M | X |
|---------|------|------|
| X13-619 | 0-24 | 0-73 |

PC BOARD (Component Side View)

1
2
3
4
5
6
7





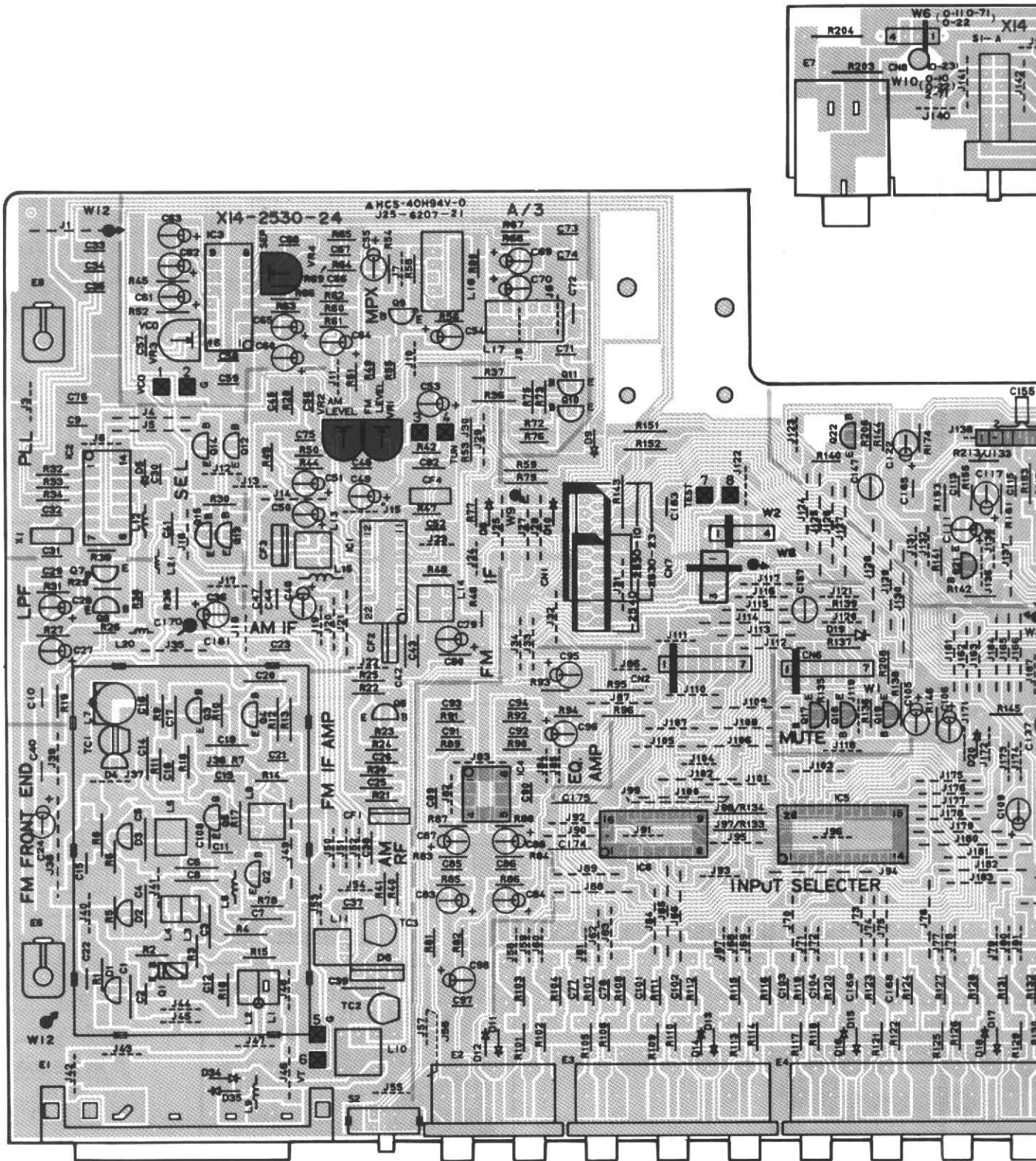
X13-6190-24

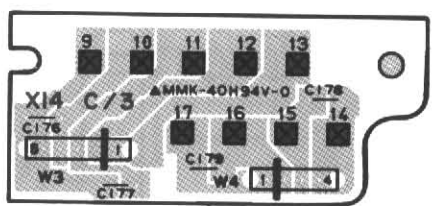
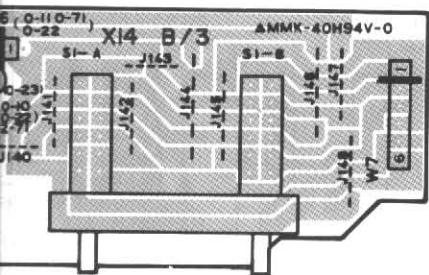
| Ref. No. | | Address |
|----------|----|---------|
| IC | Q | |
| | 1 | 2E |
| | 2 | 1E |
| | 4 | 1H |
| | 5 | 1G |
| | 11 | 4F |
| | 12 | 4G |
| | 13 | 4F |
| 1 | | 2C |
| 2 | | 2D |
| 3 | | 2D |
| 4 | | 2E |
| 5 | | 2E |
| 6 | | 6A |
| 8 | | 4A |
| 9 | | 4C |

X13-6500-01

| Ref. No. | | Address |
|----------|---|---------|
| IC | Q | |
| | 1 | 7H |
| | 2 | 7H |
| | 3 | 7I |
| | 4 | 7I |

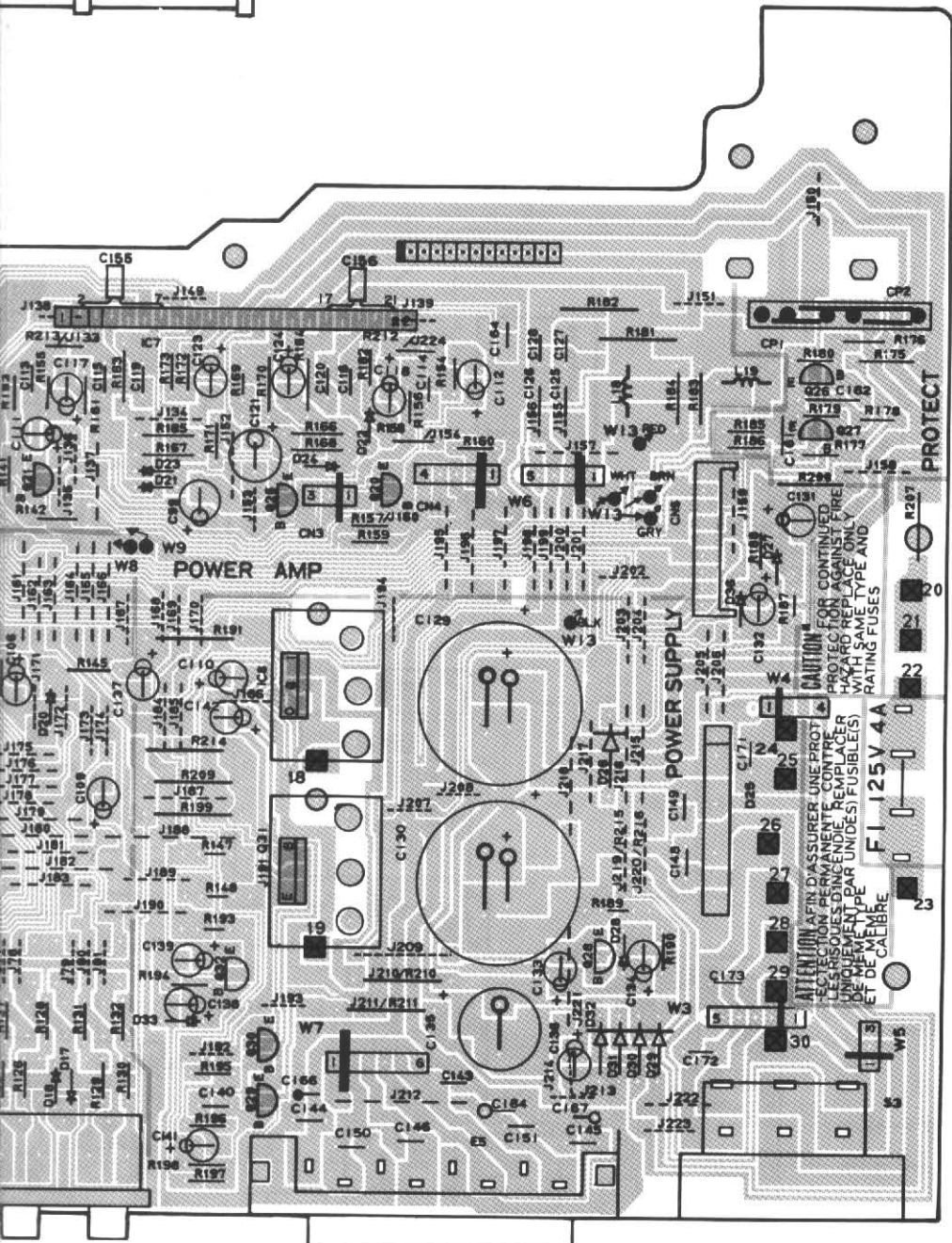
PC BOARD (Component Side View)





X14-2530-24

| Ref. No. | IC | Q | Address |
|----------|----|----|---------|
| | | 17 | 40 |
| | | 18 | 40 |
| | | 19 | 40 |
| | | 20 | 4Q |
| | | 21 | 40 |
| | | 22 | 30 |
| | | 25 | 4P |
| | | 26 | 3R |
| | | 27 | 3R |
| | | 29 | 6P |
| | | 30 | 6P |
| | | 31 | 5P |
| 4 | | | 5M |
| 5 | | | 5O |
| 6 | | | 5N |
| 7 | | | 3P |
| 8 | | | 5P |



Refer to the schematic diagram for the values of resistors and capacitors.

X13-619X-XX

IC1

| | |
|----|--------|
| 4 | 11.9V |
| 11 | -12.4V |

IC2

| | |
|----|--------|
| 4 | 11.9V |
| 11 | -12.4V |

IC3

| | |
|----|--------|
| 4 | 11.9V |
| 11 | -12.4V |

IC4

| | |
|---|------|
| 1 | 5.6V |
| 2 | 0V |
| 3 | 5.6V |

IC6

| | |
|----|-----------|
| 2 | UP 5V |
| 5 | UP 5V |
| 6 | DOWN 3.5V |
| 10 | DOWN 5V |

IC8

| | |
|---|----|
| 3 | 0V |
| 4 | 0V |

| | B | C | E |
|-----|--------|-------|--------|
| Q1 | 0V | 4.8V | 0V |
| Q2 | -24.6V | 4.9V | -24.7V |
| Q4 | - | 0.2V | 0V |
| Q5 | - | 9.8V | 0.2V |
| Q11 | 6.2V | 12.7V | 5.7V |
| Q12 | -30.6V | -48V | - |

X14-2530-23

IC4

| | |
|---|--------|
| 4 | 11.9V |
| 8 | -12.3V |

IC5

| | |
|----|--------|
| 10 | -12.4V |
| 11 | 5.5V |
| 14 | 0V |
| 15 | 6.8V |
| 16 | 11.9V |
| 17 | 6.8V |
| 18 | 6.8V |
| 19 | 11.8V |

IC6

| | |
|----|--------|
| 1 | 0V |
| 2 | 0V |
| 8 | -12.4V |
| 16 | 11.9V |

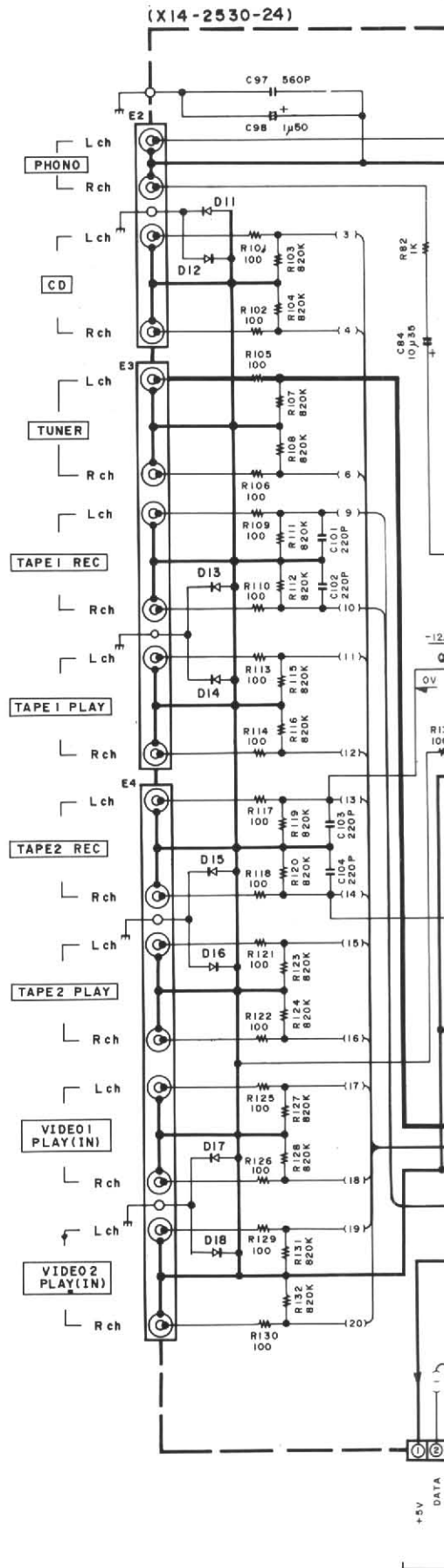
IC7

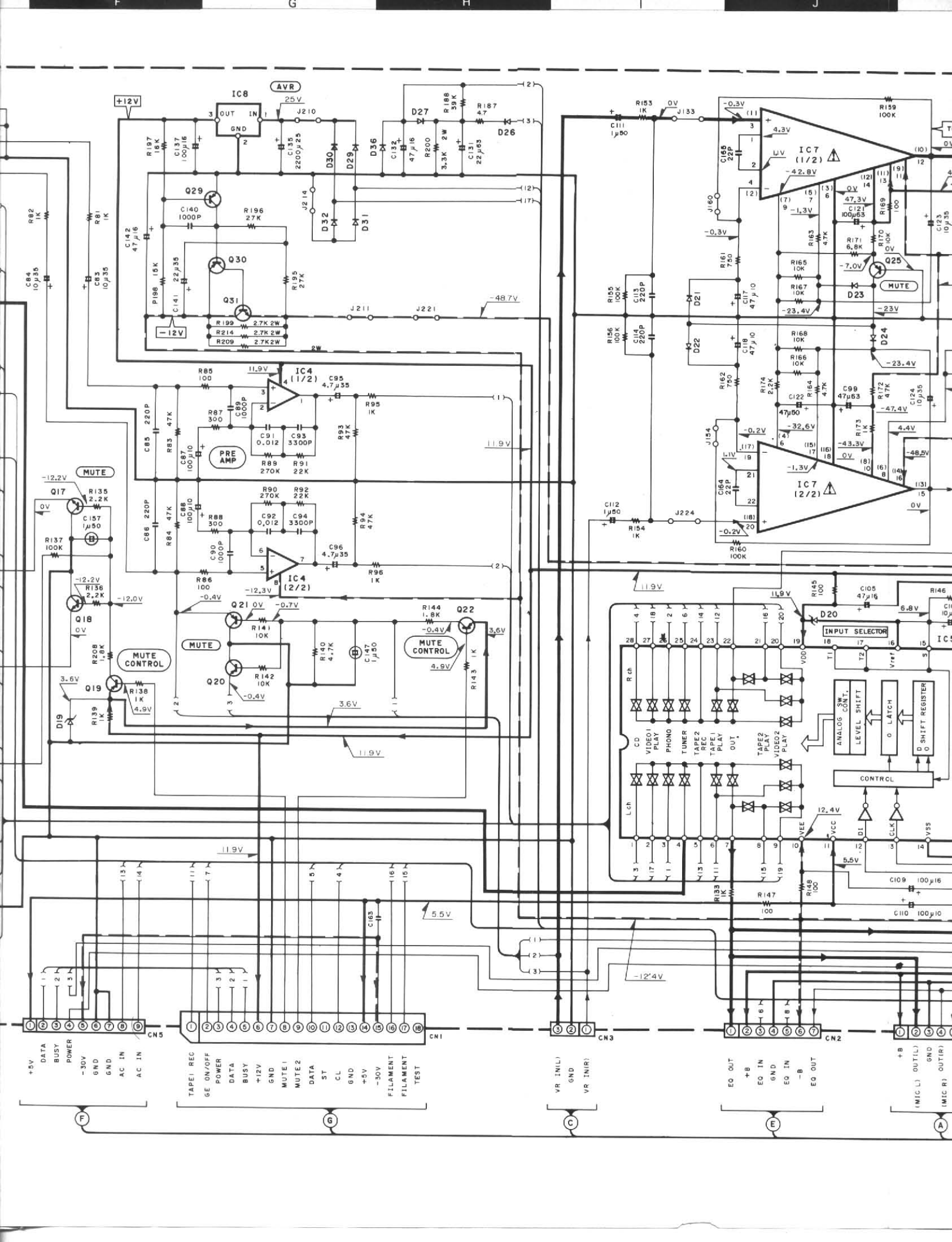
| | |
|----|--------|
| 1 | 4.3V |
| 2 | 1.1V |
| 3 | -0.3V |
| 4 | -0.3V |
| 5 | 0V |
| 6 | -32.6V |
| 7 | -1.3V |
| 8 | 4.4V |
| 9 | -1.3V |
| 10 | -43.3V |
| 11 | -48.5V |
| 12 | 0V |
| 13 | 48.8V |
| 14 | 47.3V |
| 15 | 0V |
| 16 | -48.5V |
| 17 | -1.3V |
| 18 | 0V |
| 19 | -0.2V |
| 20 | -0.2V |
| 21 | 1.1V |

| | B | C | E |
|-----|--------|--------|--------|
| Q17 | -12.2V | 0V | 0V |
| Q18 | -12.2V | 0V | 0V |
| Q19 | 4.9V | - | 3.6V |
| Q20 | - | 0V | -0.4V |
| Q21 | 0V | 0V | -0.4V |
| Q22 | 4.9V | -0.4V | 3.6V |
| Q25 | 0V | -23V | -7.0V |
| Q26 | - | 8V | -48.7V |
| Q27 | - | 8V | -48.7V |
| Q29 | - | - | 0V |
| Q31 | - | -12.4V | -48.7V |

CAUTION: For continued safety, replace safety critical components only with manufacturer's recommended parts (refer to parts list). Δ Indicates safety critical components. To reduce the risk of electric shock, leakage-current or resistance measurements shall be carried out (exposed parts are acceptably insulated from the supply circuit) before the appliance is returned to the customer.

- DC voltages are as measured with a high impedance voltmeter with no signal input. Values may vary slightly due to variations between individual instruments or/and units.
- Les tensions c.c. doivent être mesurées avec un voltmètre à haute impédance sans signal d'entrée. Les valeurs peuvent différer légèrement du fait des variations inhérentes aux appareils et aux instruments de mesure individuels.
- Die angegebenen Gleichspannungswerte wurden mit einem hochohmigen Voltmeter ohne Eingangssignal gemessen. Dabei schwanken die Meßwerte aufgrund von Unterschieden zwischen einzelnen Instrumenten oder Geräten u.U. geringfügig.





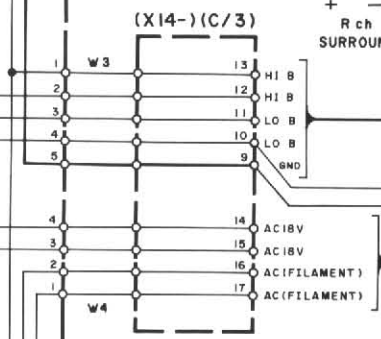
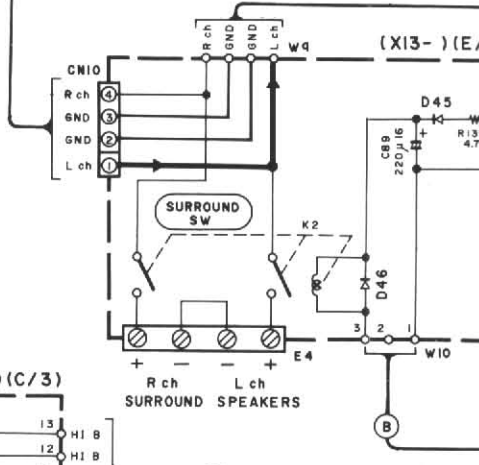
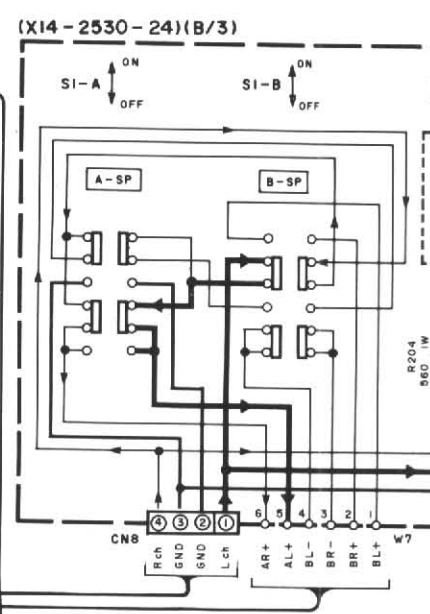
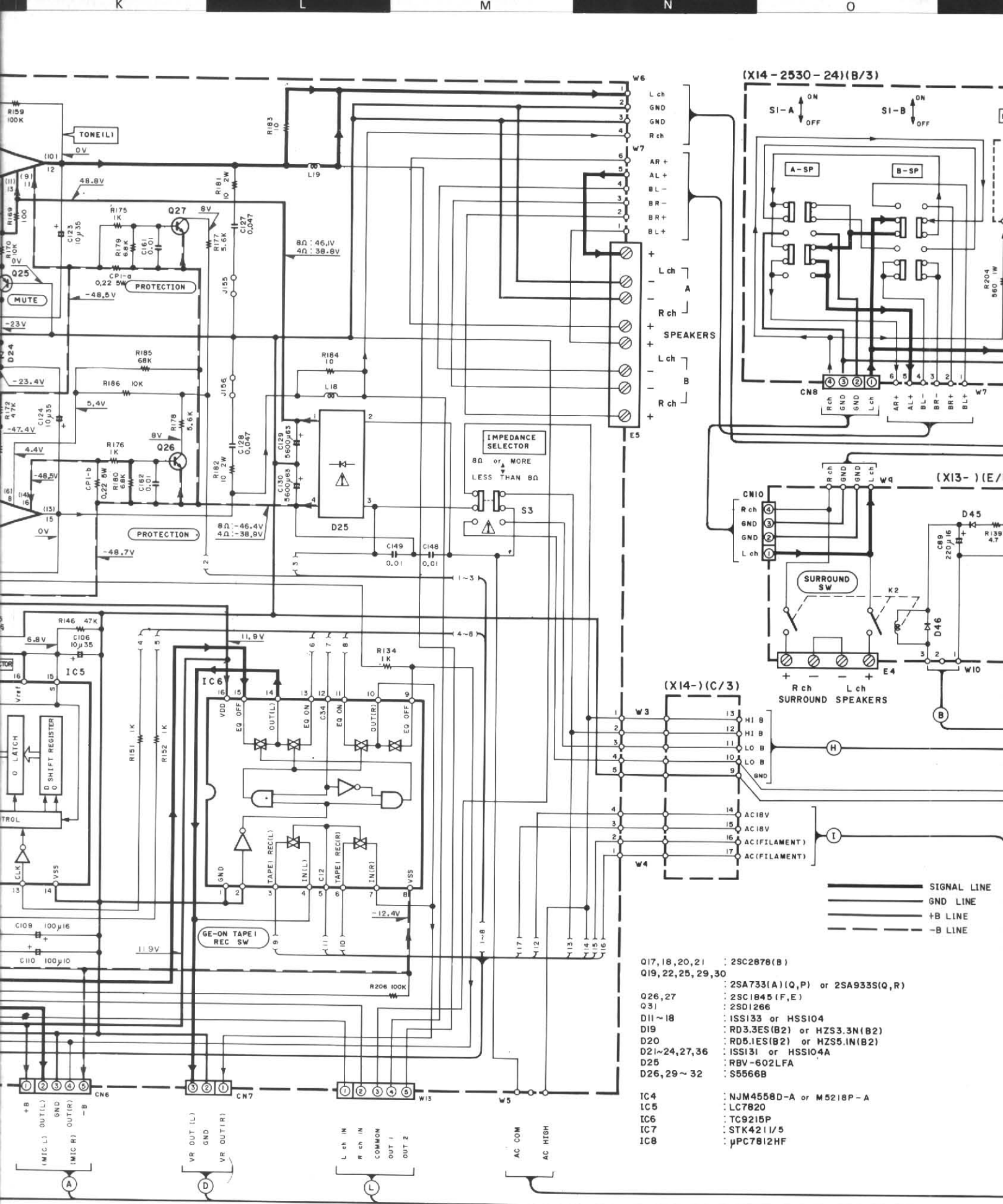
- 1 +5V
- 2 DATA
- 3 BUSY
- 4 POWER
- 5 -30V
- 6 GND
- 7 GND
- 8 AC IN
- 9 AC IN

- 1 TAPE/ REC
- 2 GE ON/OFF
- 3 POWER
- 4 DATA
- 5 DATA
- 6 BUSY
- 7 +12V
- 8 GND
- 9 MUTE1
- 10 MUTE2
- 11 DATA
- 12 ST
- 13 CL
- 14 GND
- 15 +5V
- 16 -30V
- 17 FILAMENT
- 18 FILAMENT
- 19 TEST

- 1 VR IN(L)
- 2 GND
- 3 VR IN(R)

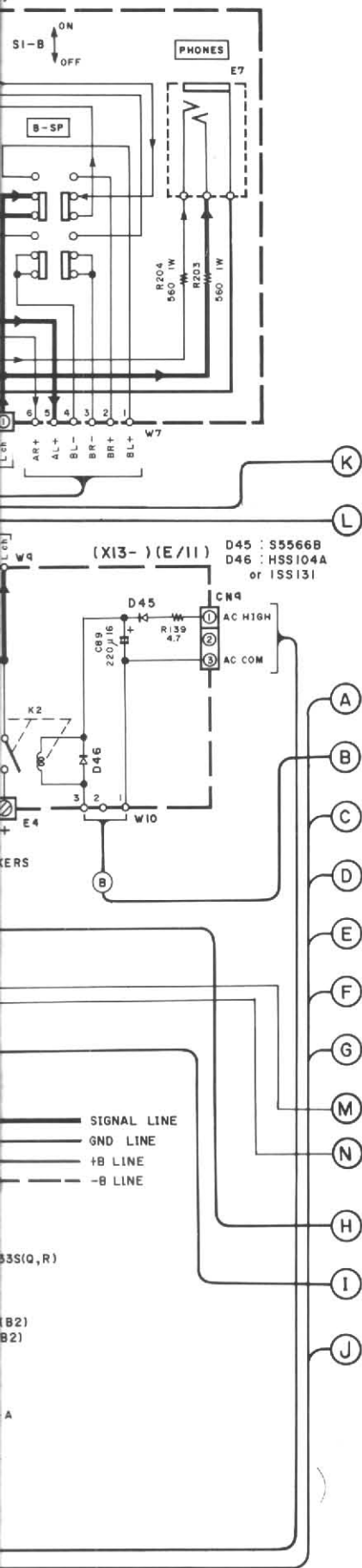
- 1 EQ OUT
- 2 +B
- 3 EQ IN
- 4 GND
- 5 EQ IN
- 6 -B
- 7 EQ OUT

- 1 +B
- 2 (MIC L) OUT(L)
- 3 GND
- 4 (MIC R) OUT(R)

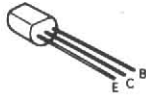


— SIGNAL LINE
 — GND LINE
 -+B LINE
 - -B LINE

- Q17, 18, 20, 21 : 2SC2878(B)
- Q19, 22, 25, 29, 30 : 2SA733(A)(Q,P) or 2SA933S(Q,R)
- Q26, 27 : 2SC1845(F,E)
- Q31 : 2SD1266
- D11~18 : ISS133 or HSS104
- D19 : RD3.3ES(B2) or HZS3.3N(B2)
- D20 : RD5.1ES(B2) or HZS5.1N(B2)
- D21~24, 27, 36 : ISS131 or HSS104A
- D25 : RBV-602LFA
- D26, 29~32 : S5566B
- IC4 : NJM4558D-A or M5218P-A
- IC5 : LC7820
- IC6 : TC9215P
- IC7 : STK4211/5
- IC8 : μPC7812HF



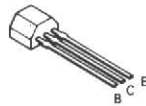
DTC124EN 2SC2320
 2SA733(A) 2SC2878
 2SC1845 2SC945(A)
 2SC2003



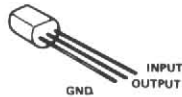
2SB772



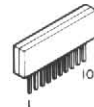
2SA933S
 2SC1740S



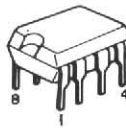
PST529C



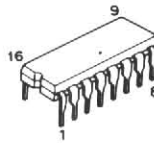
LB1641



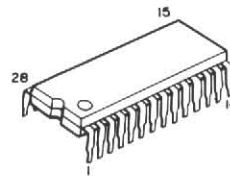
M5218P
 M5218P-A



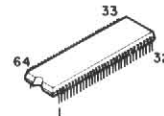
TC9215P



LC7820



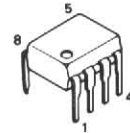
CXP5016-522S



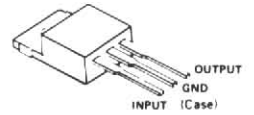
STK4211/5



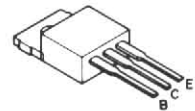
NJM4558D
 NJM4558D-A
 NJM4560D



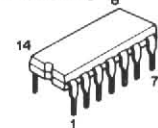
UPC7812HF



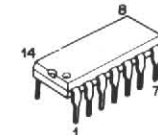
2SD1266



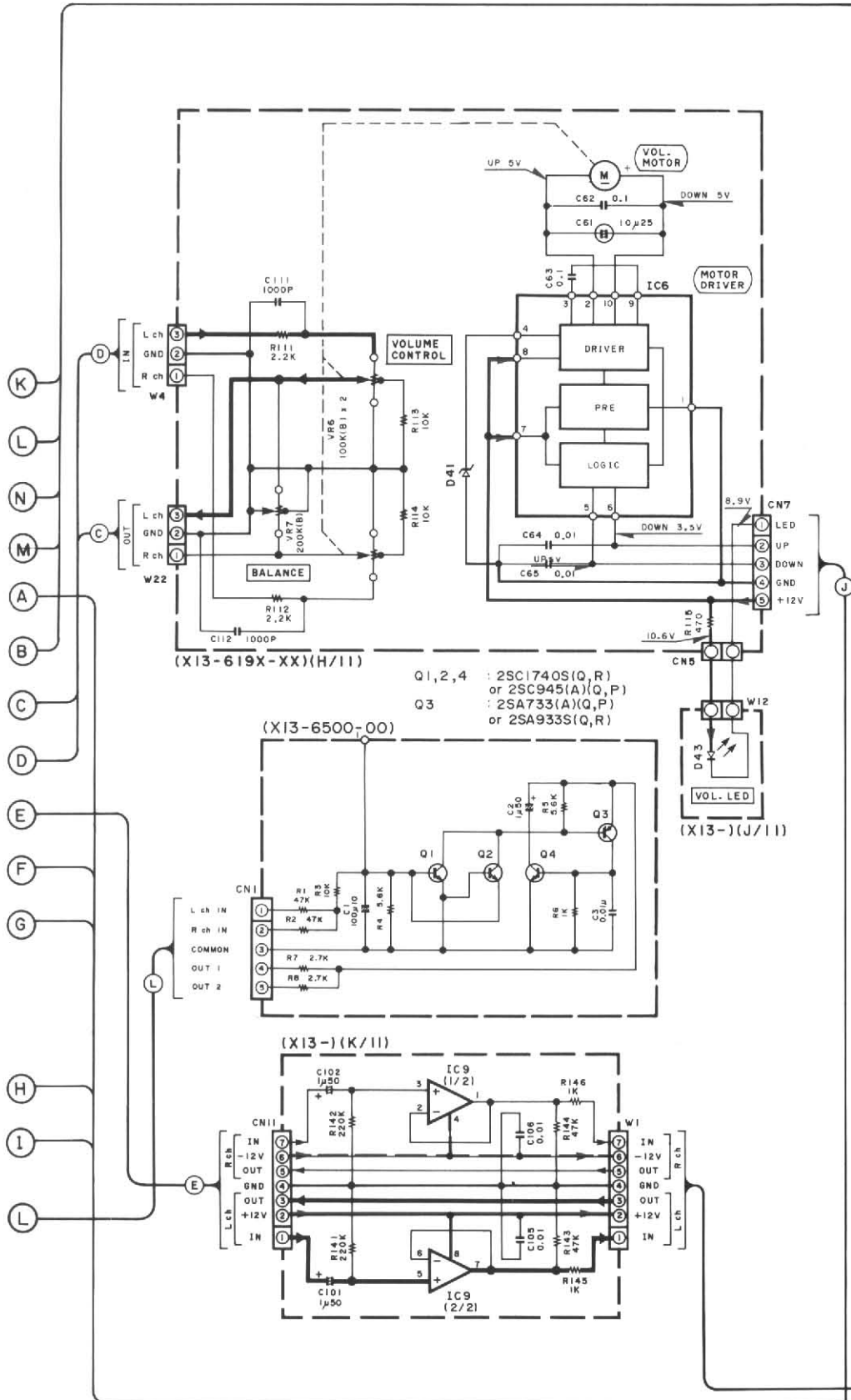
AN6554
 UPC4574C



NJM2058D

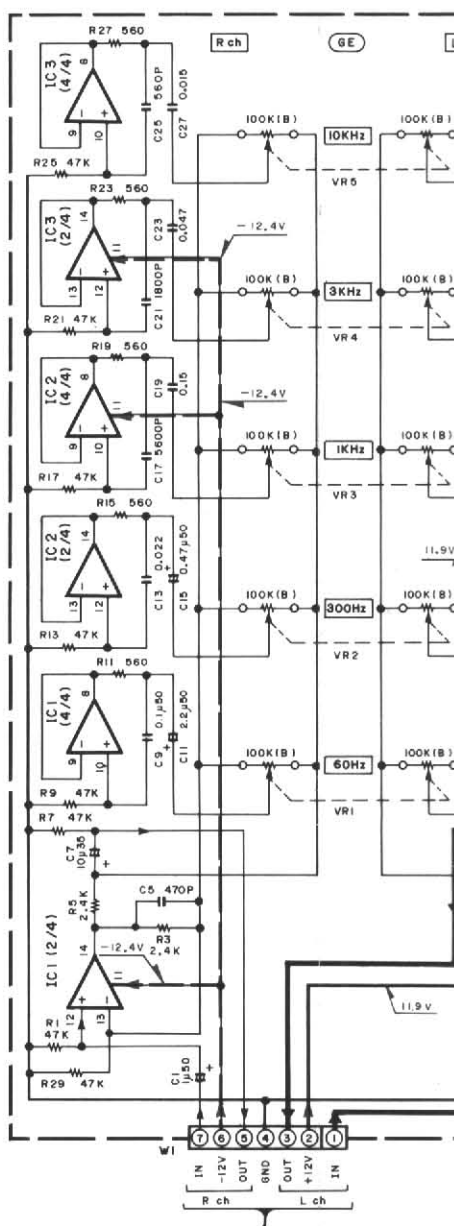
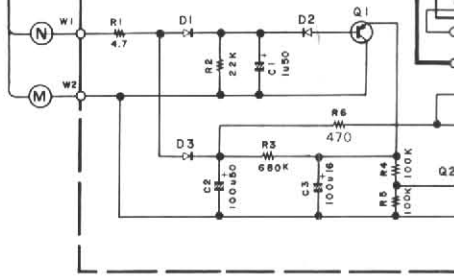


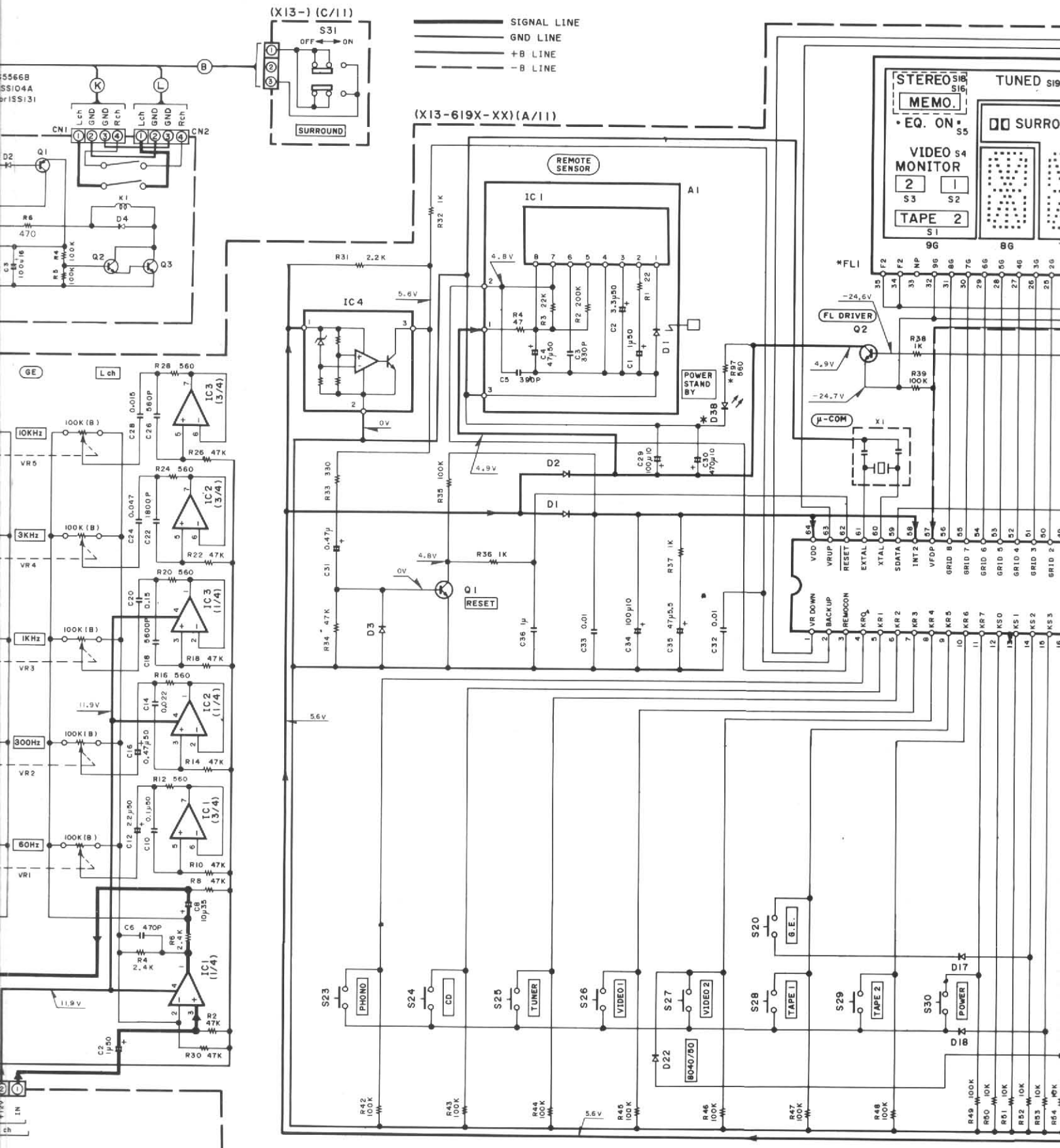
KA-79
KENWOOD

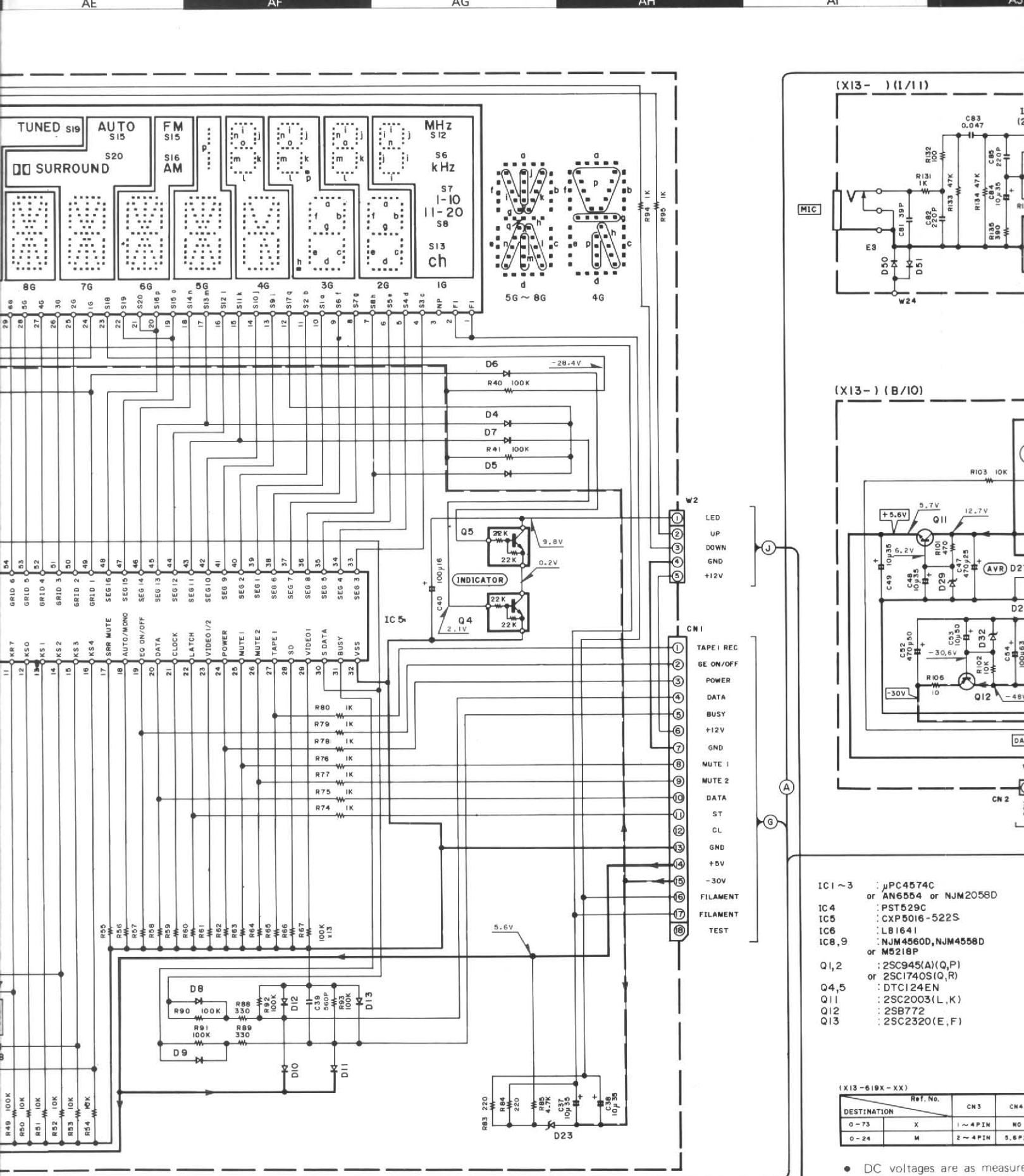


Q1, 2, 4 : 2SC1740S(Q, R)
 or 2SC945(A)(Q, P)
 Q3 : 2SA733(A)(Q, P)
 or 2SA933S(Q, R)

Q1 : 2SA992(F, E) D1, 3 : 5S5668
 Q2 : 2SC945(A)(Q, P) D2, 4 : HSS104A
 or 2SC1740S(Q, R) or ISS131
 Q3 : 2SC2003(L, K)







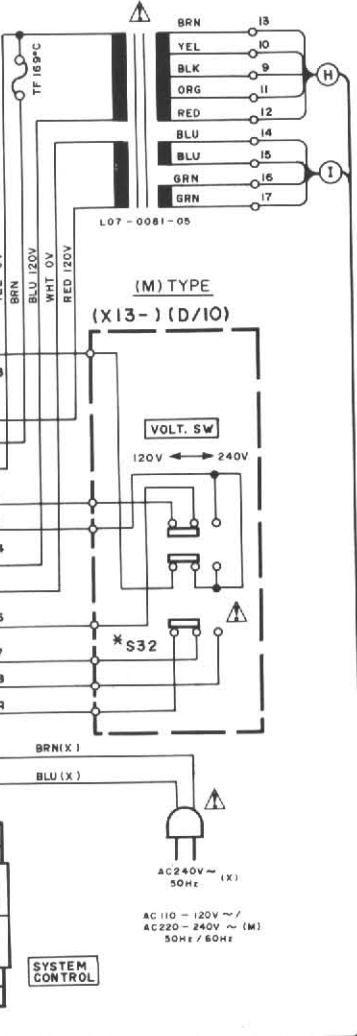
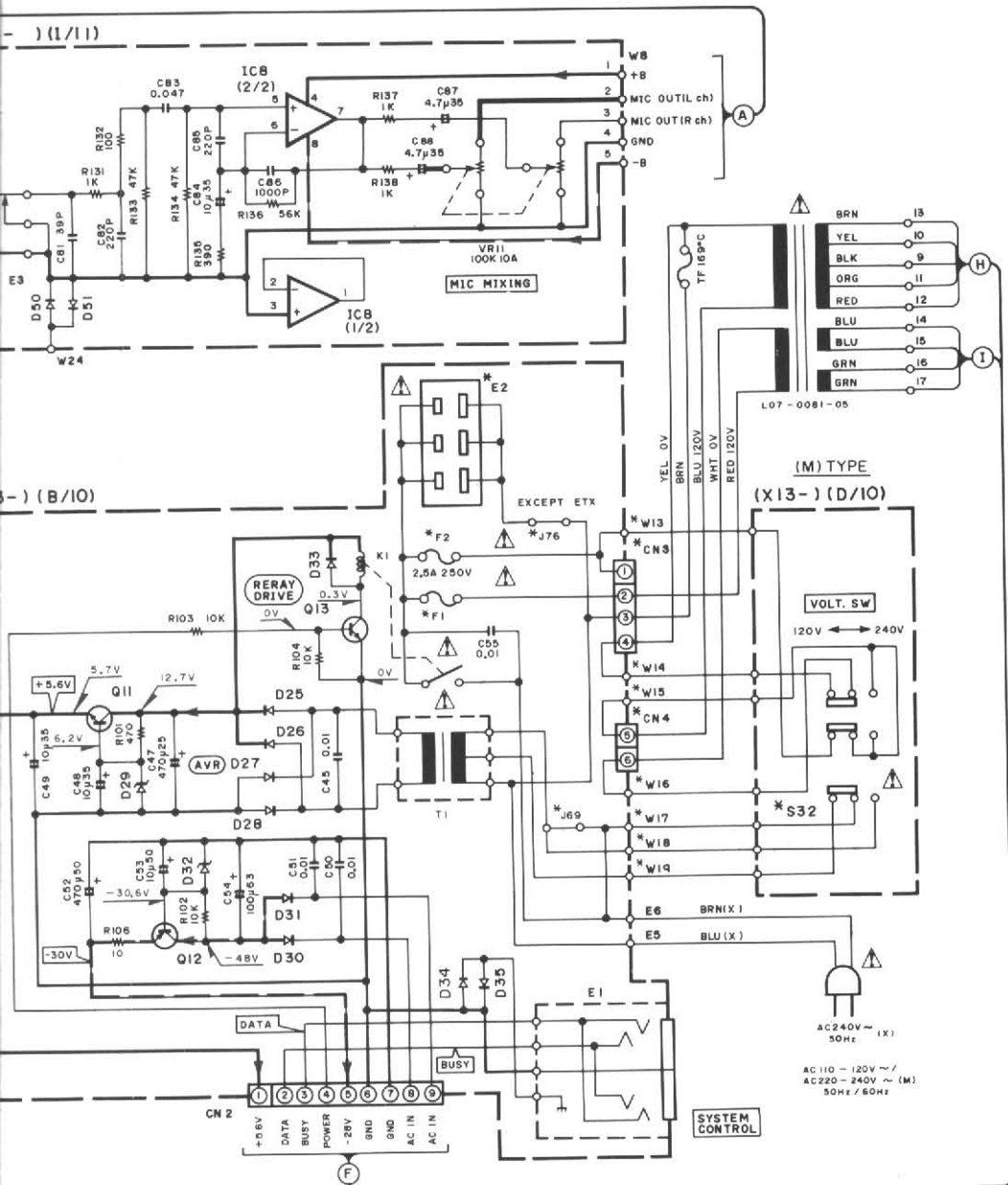
- IC1 ~ 3 : μ PC4574C
or AN6554 or NJM2058D
- IC4 : PST529C
- IC5 : CXP5016-522S
- IC6 : LB1641
- IC8,9 : NJM4560D, NJM4558D
or M5218P
- Q1,2 : 2SC945(A)(Q,P)
or 2SC1740S(Q,R)
- Q4,5 : DTC124EN
- Q11 : 2SC2003(L,K)
- Q12 : 2SC8772
- Q13 : 2SC2320(E,F)

(X13-619X-XX)

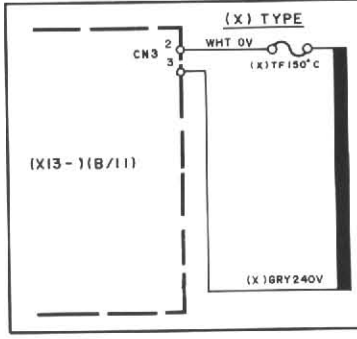
| DESTINATION | Ref. No. | CN3 | CN4 |
|-------------|----------|-----------|---------|
| 0-73 | X | 1 ~ 4 PIN | NO |
| 0-24 | M | 2 ~ 4 PIN | 5,6 PIN |

CAUTION: For continued safety, replace safety critical components only with manufacturer's recommended parts (refer to parts list). Δ Indicates safety critical components. To reduce the risk of electric shock, leakage-current or resistance measurements shall be carried out (exposed parts are acceptably insulated from the supply circuit) before the appliance is returned to the customer.

- DC voltages are as measured with a multimeter with no signal applied. Slight variations may occur due to variations in components or/and units.
- Les tensions c.c. doivent être mesurées avec un multimètre à haute impédance. Les valeurs peuvent différer légèrement des valeurs inhérentes aux appareils de mesure individuels.



- ICPC4574C
 - or AN6554 or NJM2058D
 - PST529C
 - CXP5016-522S
 - LB1641
 - NJM4560D, NJM4558D
 - or M5218P
 - 2SC945(A)(Q,P)
 - or 2SC1740S(Q,R)
 - DTC124EN
 - 2SC2003(L,K)
 - 2SB772
 - 2SC2320(E,F)
- D1 ~ 3, 8 ~ 13, 17, 18, 22, 34, 35, 50, 51
 - D4 ~ 7, 46
 - D23
 - D25 ~ 28, 30, 31, 33, 45
 - D29
 - D32
 - D41
 - FL1
 - AI
- HSS104 or ISS133
 - HSS104A or ISS131
 - RD6.8ES (B2)
 - or HZS6.8N(B2)
 - S5566B
 - RD6.2ES(B2)
 - or HZS6.2N(B2)
 - RD30ES(B)
 - or HZS30N(B)
 - RD5.1JS (B2)
 - or HZS5.1S (B2)
 - 9-MT-76GK
 - W02-0975-05
 - or W02-0776-05



| Ref. No. | CN3 | CN4 | S32 | E2 | F1 | F2 | J69 | J76 | W13~19 | (X13-)(D/I/O) |
|----------|-----|----------|-----|-----|----------|----------|-----|-----|--------|---------------|
| 1-73 | X | 1 ~ 4PIN | NO | NO | NO | NO | YES | NO | NO | NO |
| 1-24 | M | 2 ~ 4PIN | YES | YES | 2.5A250V | 2.5A250V | NO | YES | YES | YES |

DC voltages are as measured with a high impedance voltmeter with no signal input. Values may vary slightly due to variations between individual instruments or/and units.

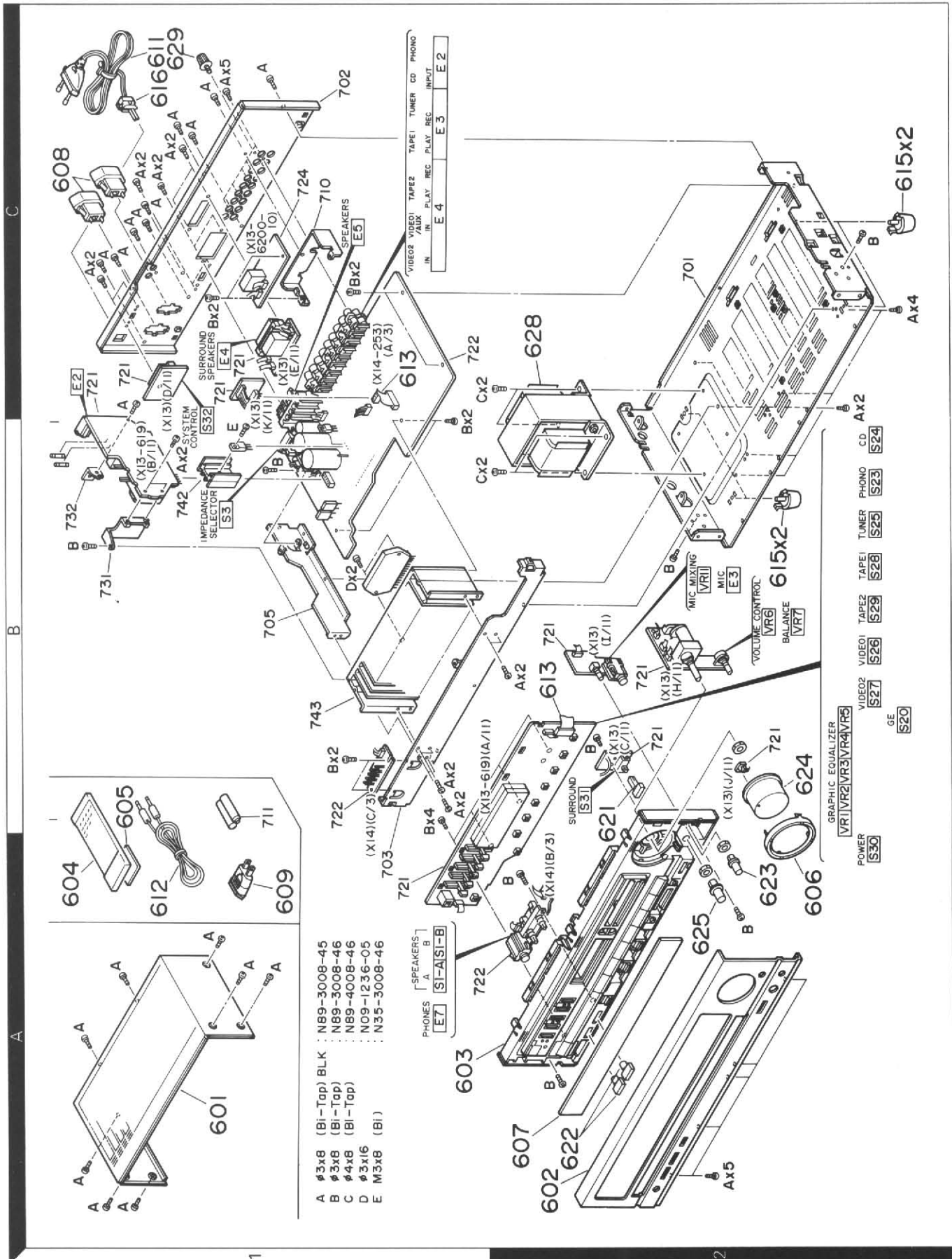
Les tensions c.c. doivent être mesurées avec un voltmètre à haute impédance sans signal d'entrée. Les valeurs peuvent différer légèrement du fait des variations inhérentes aux appareils et aux instruments de mesure individuels.

Die angegebenen Gleichspannungswerte wurden mit einem hochohmigen Voltmeter ohne Eingangssignal gemessen. Dabei schwanken die Meßwerte aufgrund von Unterschieden zwischen einzelnen Instrumenten oder Geräten u.U. geringfügig.

Y08-4010-20

KA-79
KENWOOD

EXPLODED VIEW



- A #3x8 (Bl-Tap) BLK : N89-3008-46
- B #3x8 (Bl-Tap) : N89-3008-46
- C #4x8 (Bl-Tap) : N89-4008-46
- D #3x16 : N09-1236-05
- E M3x8 (Bl) : N35-3008-46

PHONES
 [E7] [SI-A] [SI-B]
 SPEAKERS
 [A] [B]

POWER [S30]
 GRAPHIC EQUALIZER
 [VR1] [VR2] [VR3] [VR4] [VR5]
 VIDEO2 [S27] VIDEO1 [S26] TAPE2 [S28] TAPE1 [S29] TUNER [S25] PHONO [S23] CD [S24]
 GE [S20]

VIDEO2 VIDEO1 TAPE2 TAPE1 TUNER CD PHONO
 IN IN IN IN IN IN IN
 E 4 E 4 E 3 E 3 E 2 E 2

C

B

A

1

Parts with the exploded numbers larger than 700 are not supplied.

PARTS LIST

× New Parts

Parts without Parts No. are not supplied.

Les articles non mentionnés dans le Parts No. ne sont pas fournis.

Teile ohne Parts No. werden nicht geliefert.

| Ref. No. 参照番号 | Address 位置 | New Parts 新 | Parts No. 部品番号 | Description 部品名 / 規格 | Desti- nation 仕 向 | Re- marks 備考 |
|---|---------------|-------------------|-------------------|-------------------------------|-------------------------|--------------------|
| KA-79 | | | | | | |
| 601 | 1A | | A01-1746-01 | METALLIC CABINET | | |
| 602 | 2A | * | A20-5986-02 | PANEL | | |
| 603 | 2A | | A22-1087-01 | SUB PANEL | | |
| 604 | 1A | * | A70-0358-05 | REMOTE CONTROLLER ASSY | | |
| 605 | 1A | | A09-0088-08 | BATTERY COVER | | |
| 606 | 2A | | B07-1889-04 | ESCUTCHEON | | |
| 607 | 2A | * | B10-1087-03 | FRONT GLASS | | |
| - | | | B46-0096-13 | WARRANTY CARD | X | |
| - | | * | B50-7885-00 | INSTRUCTION MANUAL (ENGLISH) | | |
| - | | * | B50-7886-00 | INSTRUCTION MANUAL (FR,SA,AL) | M | |
| 608 | 1C | | E03-0055-05 | AC OUTLET | | M |
| 608 | 1C | * | E03-0114-05 | AC OUTLET | | X |
| 609 | 1A | * | E03-0115-05 | AC PLUG ADAPTOR | | M |
| 611 | 1C | | E30-0459-05 | AC POWER CORD | | M |
| 611 | 1C | | E30-1341-05 | AC POWER CORD | | X |
| 612 | 1A | | E30-1392-05 | CORD WITH PLUG | | |
| 613 | 1C, 2B | | E31-4953-05 | FLAT CABLE | | |
| - | | * | H01-8726-04 | ITEM CARTON CASE | | |
| - | | * | H10-5003-02 | POLYSTYRENE FOAMED FIXTURE | | |
| - | | * | H10-5004-02 | POLYSTYRENE FOAMED FIXTURE | | |
| - | | | H25-0181-04 | PROTECTION BAG (150X260X0.05) | | |
| - | | | H25-0223-04 | PROTECTION BAG (750X350X0.03) | | |
| - | | | H25-0232-04 | PROTECTION BAG (235X350X0.03) | | |
| 615 | 2B, 2C | | J02-1013-05 | FOOT | | |
| 616 | 1C | | J42-0083-05 | POWER CORD BUSHING | | |
| - | | | J61-0307-05 | WIRE BAND | | |
| 621 | 2B | | K27-1725-04 | KNØB (BUTTON)(SURROUND) | | |
| 622 | 2A | | K27-1987-04 | KNØB (BUTTON)(SPEAKERS) | | |
| 623 | 2A | | K29-2737-04 | KNØB (MIC MIXING) | | |
| 624 | 2B | | K29-3581-04 | KNØB ASSY (VOLUME) | | |
| 625 | 2A | | K29-3632-04 | KNØB (BALANCE) | | |
| 628 | 2B, 2C | * | L07-0080-05 | POWER TRANSFORMER | | X |
| 628 | 2B, 2C | * | L07-0081-05 | POWER TRANSFORMER | | M |
| 629 | 1C | | N08-0128-35 | BINDING POST (GND) | | |
| - | | * | N19-1246-04 | FLAT WASHER | | |
| A | 1A, 1B | | N89-3008-45 | BINDING HEAD TAPTITE SCREW | | |
| B | 1B, 1C | | N89-3008-46 | BINDING HEAD TAPTITE SCREW | | |
| C | 2B, 2C | | N89-4008-46 | BINDING HEAD TAPTITE SCREW | | |
| SUB UNIT (X13-6190-24: M, 0-73: X) | | | | | | |
| D38 | | | B30-0431-05 | LED(LN21CPH) | | X |
| D43 | | | B30-1012-05 | LED(SLP-981C-50) | | |
| C1 | | | CE04LW1H010M | ELECTRO 1.0UF 50WV | | |
| C2 | | | CE04JW1H010M | ELECTRO 1.0UF 50WV | | |
| C5 , 6 | | | CK45FB1H471K | CERAMIC 470PF K | | |
| C7 , 8 | | | CE04LW1V100M | ELECTRO 10UF 35WV | | |
| C9 , 10 | | | CE04LW1HR10M | ELECTRO 0.10UF 50WV | | |
| C11 , 12 | | | CE04LW1H2R2M | ELECTRO 2.2UF 50WV | | |
| C13 , 14 | | | CF92FV1H223J | MF 0.022UF J | | |
| C15 , 16 | | | CE04LW1HR47M | ELECTRO 0.47UF 50WV | | |
| C17 , 18 | | | CF92FV1H562J | MF 5600PF J | | |
| C19 , 20 | | | CF92FV1H154J | MF 0.15UF J | | |

E: Scandinavia & Europe K: USA P: Canada

Y: PX(Far East, Hawaii) T: England M: Other Areas

Y: AAFES(Europe) X: Australia

⚠ indicates safety critical components.

PARTS LIST

× New Parts

Parts without Parts No. are not supplied.

Les articles non mentionnés dans le Parts No. ne sont pas fournis.

Telle ohne Parts No. werden nicht geliefert.

| Ref. No. 参照番号 | Address 位置 | New Parts 新 | Parts No. 部品番号 | Description 部品名 / 規格 | Desti- nation 仕向 | Re- marks 備考 |
|------------------|---------------|-------------------|-------------------|-------------------------------|------------------------|--------------------|
| C21 ,22 | | | CF92FV1H182J | MF 1800PF J | | |
| C23 ,24 | | | CF92FV1H473J | MF 0.047UF J | | |
| C25 ,26 | | | CK45FB1H561K | CERAMIC 560PF K | | |
| C27 ,28 | | | CF92FV1H153J | MF 0.015UF J | | |
| C29 | | | CE04JW1A101M | ELECTRO 100UF 10WV | | |
| C30 | | | CE04LW1A471M | ELECTRO 470UF 10WV | | |
| C31 | | | CE04LW1HR47M | ELECTRO 0.47UF 50WV | | |
| C32 ,33 | | | CK45FF1H103Z | CERAMIC 0.010UF Z | | |
| C34 | | | CE04LW1A101M | ELECTRO 100UF 10WV | | |
| C35 | | | C91-0937-05 | BACKUP 0.047F 5.5WV | | |
| C36 | | | CE04LW1H010M | ELECTRO 1.0UF 50WV | | |
| C37 ,38 | | | CE04LW1V100M | ELECTRO 10UF 35WV | | |
| C39 | | | CK45FB1H561K | CERAMIC 560PF K | | |
| C40 | | | CE04LW1C101M | ELECTRO 100UF 16WV | | |
| C45 | | | CK45FF1H103Z | CERAMIC 0.010UF Z | | |
| C47 | | | CE04LW1E471M | ELECTRO 470UF 25WV | | |
| C48 ,49 | | | CE04LW1V100M | ELECTRO 10UF 35WV | | |
| C50 ,51 | | | CK45FF1H103Z | CERAMIC 0.010UF Z | | |
| C52 | | | CE04LW1H471M | ELECTRO 470UF 50WV | | |
| C53 | | * | CE04LW1H100M | ELECTRO 10UF 50WV | | |
| C54 | | | CE04LW1J101M | ELECTRO 100UF 63WV | | |
| C55 | | | C91-0023-05 | CERAMIC 0.01UF AC250V | M | |
| C55 | | | C91-0647-05 | CERAMIC 0.01UF P | X | |
| C61 | | | C90-1353-05 | NP-ELEC 10UF 25WV | | |
| C62 ,63 | | | CF92FV1H104J | MF 0.10UF J | | |
| C64 ,65 | | | CK45FF1H103Z | CERAMIC 0.010UF Z | | |
| C81 | | | CC45FSL1H390J | CERAMIC 39PF J | | |
| C82 | | | CC45FSL1H221J | CERAMIC 220PF J | | |
| C83 | | | CF92FV1H473J | MF 0.047UF J | | |
| C84 | | | CE04LW1V100M | ELECTRO 10UF 35WV | | |
| C85 | | | C91-0749-05 | CERAMIC 220PF K | | |
| C86 | | | CF92FV1H123J | MF 0.012UF J | | |
| C87 ,88 | | | CE04LW1V4R7M | ELECTRO 4.7UF 35WV | | |
| C89 | | | CE04LW1C221M | ELECTRO 220UF 16WV | | |
| C92 ,93 | | | CE04LW1H010M | ELECTRO 1.0UF 50WV | | |
| C101,102 | | | CE04LW1H010M | ELECTRO 1.0UF 50WV | | |
| C111,112 | | | CK45FB1H102K | CERAMIC 1000PF K | | |
| CN10 | | | E10-0408-05 | FLAT CABLE CONNECTOR | | |
| E1 | 1C | | E11-0188-05 | PHONE JACK (SYSTEM CONTROL) | | |
| E2 | 1C | | E03-0107-05 | AC OUTLET | M | |
| E3 | 2B | | E11-0159-05 | PHONE JACK (3P)(MIC) | | |
| E4 | 1C | | E20-0459-05 | LOCK TERMINAL BOARD(SURROUND) | | |
| F1 | 1C | | F05-2525-05 | FUSE (SEMKO) (250V T2.5A) | X | |
| F1 ,2 | 1C | | F06-2526-05 | FUSE (250V 2.5A) | M | |
| 636 | 1C | | J13-0054-05 | FUSE CLIP | | |
| T1 | | | L01-7653-05 | POWER TRANSFORMER | M | |
| T1 | | | L01-7657-05 | POWER TRANSFORMER | X | |
| X1 | | | L78-0209-05 | RESONATOR (4.194MHZ) | | |
| A | 1B, 1C | | N89-3008-45 | BINDING HEAD TAPTITE SCREW | | |
| R106 | | | RD14NB2E100J | RD 10 J 1/4W | | |
| R139 | | | RD14NB2E4R7J | RD 4.7 J 1/4W | | |
| VR1 -5 | | | R13-5087-05 | POTENTIOMETER 100K(B)(GE) | | |

E: Scandinavia & Europe K: USA

P: Canada

Y: PX(Far East, Hawaii)

T: England

M: Other Areas

Y: AAFES(Europe)

X: Australia

⚠ indicates safety critical components.


PARTS LIST

× New Parts

Parts without Parts No. are not supplied.

Les articles non mentionnés dans le Parts No. ne sont pas fournis.

Teile ohne Parts No. werden nicht geliefert.

| Ref. No. 参照番号 | Address 位置 | New Parts 新 | Parts No. 部品番号 | Description 部品名 / 規格 | Desti- nation 仕 向 | Re- marks 備考 |
|---|---------------|-------------------|-------------------|--------------------------------|-------------------------|--------------------|
| VR6 | 2B | | R29-5022-05 | POTENTIOMETER 100K(B)(VOLUME) | | |
| VR7 | 2B | | R01-5066-05 | POTENTIOMETER 200K(B)(BALANCE) | | |
| VR11 | 2B | | R10-5033-05 | POTENTIOMETER 100K (MIC MIX) | | |
| K1 | | | S51-1052-05 | MAGNETIC RELAY(POWER) | | |
| K2 | | | S51-2085-05 | MAGNETIC RELAY(PROTECTION) | | |
| S20 | 1A | | S40-1064-05 | PUSH SWITCH (GE) | | |
| S23 -30 | 1A, 1B | | S40-1064-05 | PUSH SWITCH (SELECTOR/POWER) | | |
| S31 | 2B | | S40-2351-05 | PUSH SWITCH (SURROUND) | | |
|  S32 | 1C | | S31-3010-05 | SLIDE SWITCH (POWER VOLT) | M | |
| D1 -3 | | | HSS104 | DIODE | | |
| D1 -3 | | | 1SS133 | DIODE | | |
| D4 -7 | | | HSS104A | DIODE | | |
| D4 -7 | | | 1SS131 | DIODE | | |
| D8 -13 | | | HSS104 | DIODE | | |
| D8 -13 | | | 1SS133 | DIODE | | |
| D17 ,18 | | | HSS104 | DIODE | | |
| D17 ,18 | | | 1SS133 | DIODE | | |
| D22 | | | HSS104 | DIODE | | |
| D22 | | | 1SS133 | DIODE | | |
| D23 | | | HZS6.8N(B2) | ZENER DIODE | | |
| D23 | | | RD6.8ES(B2) | ZENER DIODE | | |
| D25 -28 | | | S5566B | DIODE | | |
| D29 | | | HZS6.2N(B2) | ZENER DIODE | | |
| D29 | | | RD6.2ES(B2) | ZENER DIODE | | |
| D30 ,31 | | | S5566B | DIODE | | |
| D32 | | | HZS30N(B) | ZENER DIODE | | |
| D32 | | | RD30ES(B) | ZENER DIODE | | |
| D33 | | | S5566B | DIODE | | |
| D34 ,35 | | | HSS104 | DIODE | | |
| D34 ,35 | | | 1SS133 | DIODE | | |
| D41 | | | HZS5.1S(B2) | ZENER DIODE | | |
| D41 | | | RD5.1JS(B2) | ZENER DIODE | | |
| D45 | | | S5566B | DIODE | | |
| D46 | | | HSS104A | DIODE | | |
| D46 | | | 1SS131 | DIODE | | |
| D50 ,51 | | | HSS104 | DIODE | | |
| D50 ,51 | | | 1SS133 | DIODE | | |
| FL1 | | | 9-MT-76GK | FLUORESCENT INDICATOR TUBE | | |
| IC1 -3 | | | AN6554 | IC(OP AMP X4) | | |
| IC1 -3 | | | NJM2058D | IC(OP AMP X4) | | |
| IC1 -3 | | | UPC4574C | IC(OP AMP X4) | | |
| IC4 | | | PST529C | IC(SYSTEM RESET) | | |
| IC5 | | | CXP5016-522S | IC(4BIT MICROCOMPUTER) | | |
| IC6 | | | LB1641 | IC(MOTOR DRIVER) | | |
| IC8 | | | NJM4560D | IC(OP AMP X2) | | |
| IC8 ,9 | | | M5218P | IC(OP AMP X2) | | |
| IC8 ,9 | | | NJM4558D | IC(OP AMP X2) | | |
| Q1 ,2 | | | 2SC1740S(Q,R) | TRANSISTOR | | |
| Q1 ,2 | | | 2SC945(A)(Q,P) | TRANSISTOR | | |
| Q4 ,5 | | | DTC124EN | DIGITAL TRANSISTOR | | |
| Q11 | | | 2SC2003(L,K) | TRANSISTOR | | |
| Q12 | | | 2SB772 | TRANSISTOR | | |
| Q13 | | | 2SC2320(E,F) | TRANSISTOR | | |

E: Scandinavia & Europe K: USA P: Canada

Y: PX(Far East, Hawaii) T: England M: Other Areas

Y: AAFES(Europe) X: Australia

 indicates safety critical components.

PARTS LIST

* New Parts

Parts without Parts No. are not supplied.

Les articles non mentionnés dans le Parts No. ne sont pas fournis.

Teile ohne Parts No. werden nicht geliefert.

| Ref. No. 参照番号 | Address 位置 | New Parts 新 | Parts No. 部品番号 | Description 部品名 / 規格 | Desti- nation 仕 向 | Re- marks 備考 |
|---|---------------|-------------------|--|---|-------------------------|--------------------|
| A1 A1 | 1A 1A | | W02-0776-05 W02-0975-05 | REMOTE SENSOR REMOTE SENSOR | | |
| SUB UNIT (X13-6500-01) | | | | | | |
| C1 C2 C3 | | | CE04LW1H010M CE04LW1H101M CE04LW1C101M | ELECTRO 1.0UF 50WV ELECTRO 100UF 50WV ELECTRO 100UF 16WV | | |
| CN1 ,2 | | | E10-0408-05 | CONNECTOR | | |
| R1 R6 | | | RD14GB2E4R7J RD14GB2E471J | FL-PROOF RD 4.7 J 1/4W FL-PROOF RD 470 J 1/4W | | |
| K1 | | | S51-2078-05 | RELAY | | |
| D1 D2 D2 D3 D4 | | | S5566B HSS104A 1SS131 S5566B HSS104A | DIODE DIODE DIODE DIODE DIODE | | |
| D4 Q1 Q2 Q2 Q3 | | | 1SS131 2SA992(F,E) 2SC1740S(Q,R) 2SC945(A)(Q,P) 2SC2003(L,K) | DIODE TRANSISTOR TRANSISTOR TRANSISTOR TRANSISTOR | | |
| C1 C2 C3 | | | CE04LW1A101M CE04LW1H010M CK45FF1H103Z | ELECTRO 100UF 10WV ELECTRO 1.0UF 50WV CERAMIC 0.010UF Z | | |
| Q1 ,2 Q1 ,2 Q3 Q3 Q4 | | | 2SC1740S(Q,R) 2SC945(A)(Q,P) 2SA733(A)(Q,P) 2SA933S(Q,R) 2SC1740S(Q,R) | TRANSISTOR TRANSISTOR TRANSISTOR TRANSISTOR TRANSISTOR | | |
| Q4 | | | 2SC945(A)(Q,P) | TRANSISTOR | | |
| AUDIO UNIT (X14-2530-24) | | | | | | |
| C83 ,84 C85 ,86 C87 ,88 C89 ,90 C91 ,92 | | | CE04LW1V100M CC45FSL1H221J CE04LW1A101M CK45FB1H102K CF92FV1H123J | ELECTRO 10UF 35WV CERAMIC 220PF J ELECTRO 100UF 10WV CERAMIC 1000PF K MF 0.012UF J | | |
| C93 ,94 C95 ,96 C97 C98 C99 | | | CF92FV1H332J CE04LW1V4R7M CK45FB1H561K CE04LW1H010M CE04LW1J101M | MF 3300PF J ELECTRO 4.7UF 35WV CERAMIC 560PF K ELECTRO 1.0UF 50WV ELECTRO 100UF 63WV | | |
| C101-104 C105 C106 C109 C110 | | | CC45FSL1H221J CE04LW1C470M CE04LW1V100M CE04LW1C101M CE04LW1A101M | CERAMIC 220PF J ELECTRO 47UF 16WV ELECTRO 10UF 35WV ELECTRO 100UF 16WV ELECTRO 100UF 10WV | | |
| C111,112 C113,114 C117,118 C121 C122 | | | CE04LW1H010M CC45FSL1H221J CE04LW1A470M CE04LW1J101M CE04LW1H470M | ELECTRO 1.0UF 50WV CERAMIC 220PF J ELECTRO 47UF 10WV ELECTRO 100UF 63WV ELECTRO 47UF 50WV | | |

E: Scandinavia & Europe K: USA P: Canada

Y: PX(Far East, Hawaii) T: England M: Other Areas

Y: AAFES(Europe) X: Australia

⚠ indicates safety critical components.

PARTS LIST

* New Parts

Parts without Parts No. are not supplied.

Les articles non mentionnés dans le Parts No. ne sont pas fournis.

Teile ohne Parts No. werden nicht geliefert.

| Ref. No. 参照番号 | Address 位置 | New Parts 新 | Parts No. 部品番号 | Description 部品名/規格 | Desti- nation 仕向 | Re- marks 備考 |
|--|-------------------|-------------------|--|--|------------------------|--------------------|
| C123,124 C127,128 C129,130 C131 C132 | | | CE04LW1V100M CF92FV1H473J C90-1778-05 CE04LW1J220M CE04LW1C470M | ELECTRO 10UF 35WV MF 0.047UF J ELECTRO 5600UF 63WV ELECTRO 22UF 63WV ELECTRO 47UF 16WV | | |
| C135 C137 C140 C141 C142 | | | CE04LW1E222M CE04LW1C101M CK45FB1H102K CE04LW1V220M CE04LW1C470M | ELECTRO 2200UF 25WV ELECTRO 100UF 16WV CERAMIC 1000PF K ELECTRO 22UF 35WV ELECTRO 47UF 16WV | | |
| C147 C148,149 C155,156 C157 C161,162 | | | C90-1349-05 CK45FF1H103Z CE04LW1H010M C90-1349-05 C91-0769-05 | NP-ELEC 1UF 50WV CERAMIC 0.010UF Z ELECTRO 1.0UF 50WV NP-ELEC 1UF 50WV CERAMIC 0.01UF M | | |
| C163 C164,165 | | | CK45FF1H103Z CC45FSL1H220J | CERAMIC 0.010UF Z CERAMIC 22PF J | | |
| CN6 CN7 CN8 E2 E3 | 1C 1C | | E10-0509-05 E10-0308-05 E10-0408-05 E13-0446-05 E13-0634-05 | FLAT CABLE CONNECTOR FLAT CABLE CONNECTOR FLAT CABLE CONNECTOR PHONE JACK (4P)(PHONE,CD) PHONE JACK (6P)(TUNER,TAPE) | | |
| E4 E5 E7 | 1C 1C 1C | | E13-0820-05 E20-0823-05 E11-0162-05 | PHONE JACK (8P)(TAPE,VIDEO) TERMINAL BOARD(8P)(SPEAKERS) PHONE JACK (3P)(PHONES) | | |
| L18 ,19 | | | L39-0085-05 | PHASE-COMPENSATION COIL | | |
| A D E | 1B,1C 1C 1B | | N89-3008-45 N09-1236-05 N35-3008-46 | TAPPING SCREW (3X16,+) TAPPING SCREW (3X16,+) TAPPING SCREW (3X16,+) | | |
| CP1 ,2 R145 R147,148 R169 R181,182 | | | R92-0202-05 RD14GB2E101J RD14NB2E101J RD14NB2E101J RS14KB3D100J | METAL-PLATE 0.1 K 5W FL-PROOF RD 100 J 1/4W RD 100 J 1/4W RD 100 J 1/4W FL-PROOF RS 10 J 2W | | |
| R187 R199 R200 R203,204 R209 | | | RD14NB2E4R7J RS14KB3D272J RS14KB3D332J RS14KB3A561J RS14KB3D272J | RD 4.7 J 1/4W FL-PROOF RS 2.7K J 2W FL-PROOF RS 3.3K J 2W FL-PROOF RS 560 J 1W FL-PROOF RS 2.7K J 2W | | |
| R214 | | | RS14KB3D272J | FL-PROOF RS 2.7K J 2W | | |
| S1 S3 | 1A 1C | | S42-2170-05 S31-2136-05 | MULTIPLE PUSH SWITCH(SPEAKERS) SLIDE SWITCH (IMPEDANCE) | | |
| D11 -18 D11 -18 D19 D19 D20 | | | HSS104 1SS133 HZS3.3N(B2) RD3.3ES(B2) HZS5.1N(B2) | DIODE DIODE ZENER DIODE ZENER DIODE ZENER DIODE | | |
| D20 D21 -24 D21 -24 D25 D26 | | | RD5.1ES(B2) HSS104A 1SS131 RBV-602LFA S5566B | ZENER DIODE DIODE DIODE DIODE DIODE | | |

E: Scandinavia & Europe K: USA

P: Canada

Y: PX(Far East, Hawaii)

T: England

M: Other Areas

Y: AAFES(Europe)

X: Australia

⚠ indicates safety critical components.

PARTS LIST

× New Parts

Parts without Parts No. are not supplied.

Les articles non mentionnés dans le Parts No. ne sont pas fournis.

Teile ohne Parts No. werden nicht geliefert.

| Ref. No. 参照番号 | Address 位置 | New Parts 新 | Parts No. 部品番号 | Description 部品名 / 規格 | Desti- nation 仕 向 | Re- marks 備考 |
|-------------------------------|---------------|-------------------|-------------------|-----------------------------|-------------------------|--------------------|
| D27 | | | HSS104A | DIODE | | |
| D27 | | | 1SS131 | DIODE | | |
| D29 -32 | | | S5566B | DIODE | | |
| D36 | | | HSS104A | DIODE | | |
| D36 | | | 1SS131 | DIODE | | |
| IC4 | | | M5218P-A | IC(OP AMP X2) | | |
| IC4 | | | NJM4558D-A | IC(OP AMP X2) | | |
| IC5 | | | LC7820 | IC(ELECTRO CONTROL SWITCH) | | |
| IC6 | | | TC9215P | IC(ANALOG SWITCH X 6) | | |
| IC7 | | | STK4211/5 | IC | | |
| IC8 | | | UPC7812HF | IC(VOLTAGE REGULATOR/ +12V) | | |
| Q17 ,18 | | | 2SC2878(B) | TRANSISTOR | | |
| Q19 | | | 2SA733(A)(Q,P) | TRANSISTOR | | |
| Q19 | | | 2SA933S(Q,R) | TRANSISTOR | | |
| Q20 ,21 | | | 2SC2878(B) | TRANSISTOR | | |
| Q22 | | | 2SA733(A)(Q,P) | TRANSISTOR | | |
| Q22 | | | 2SA933S(Q,R) | TRANSISTOR | | |
| Q25 | | | 2SA733(A)(Q,P) | TRANSISTOR | | |
| Q25 | | | 2SA933S(Q,R) | TRANSISTOR | | |
| Q26 ,27 | | | 2SC1845(F,E) | TRANSISTOR | | |
| Q29 ,30 | | | 2SA733(A)(Q,P) | TRANSISTOR | | |
| Q29 ,30 | | | 2SA933S(Q,R) | TRANSISTOR | | |
| Q31 | | | 2SD1266 | TRANSISTOR | | |
| SUB UNIT (X13-6200-10) | | | | | | |
| C1 | | | CE04LW1H010M | ELECTRO 1.0UF 50WV | | |
| C2 | | | CE04LW1H101M | ELECTRO 100UF 50WV | | |
| C3 | | | CE04LW1C101M | ELECTRO 100UF 16WV | | |
| CN1 ,2 | | | E10-0408-05 | CONNECTOR | | |
| K1 | | | S51-2078-05 | RELAY | | |
| D1 | | | S5566B | | | |
| D2 | | | HSS104A | | | |
| D2 | | | 1SS131 | DIODE | | |
| D3 | | | S5566B | | | |
| D4 | | | HSS104A | | | |
| D4 | | | 1SS131 | DIODE | | |
| Q1 | | | 2SA992(F,E) | TRANSISTOR | | |
| Q2 | | | 2SC1740S(Q,R) | TRANSISTOR | | |
| Q2 | | | 2SC945(A)(Q,P) | TRANSISTOR | | |
| Q3 | | | 2SC2003(L,K) | TRANSISTOR | | |

E: Scandinavia & Europe K: USA P: Canada

Y: PX(Far East, Hawaii) T: England M: Other Areas

Y: AAFES(Europe) X: Australia

⚠ indicates safety critical components.

SPECIFICATIONS

Power Output

Maximum continuous power output

| | |
|--|-------------|
| (IHF '66) from 20 Hz to 20,000 Hz, 0.5% T.H.D. at 8 Ω | 70 W+ 70 W |
| (IEC) from 63 Hz to 12,500 Hz, 0.7% T.H.D. at 8 Ω | 70 W+ 70 W |
| Music Power at 8 Ω | 115 W+115 W |

Total Harmonic Distortion 0.1% at 1/2 rated power into 8 Ω at 1 kHz

Frequency Response 10 Hz to 70 kHz, +0 dB, -3 dB

Signal-to-Noise Ratio (IHF-A)

| | |
|-----------------------------------|-------------------------|
| PHONO | 70 dB for 2.5 mV input |
| TUNER, TAPE, CD, AUX, VIDEO | 100 dB for 150 mV input |

Input Sensitivity/Impedance

| | |
|-----------------------------------|----------------------|
| PHONO | 2.5 mV/47 k Ω |
| TUNER, TAPE, CD, AUX, VIDEO | 150 mV/47 k Ω |
| MIC | 1.2 mV/47 k Ω |

Phono Maximum Input Level..... 100 mV, T.H.D. 0.5% at 1 kHz

Phono Frequency Response..... RIAA standard curve \pm 0.5 dB

Output Level/Impedance

| | |
|---------------------|---------------------|
| Tape REC (Pin)..... | 150 mV/330 Ω |
|---------------------|---------------------|

Graphic Equalizer Control

| | |
|---|-------------|
| (60 Hz, 300 Hz, 1 kHz, 3 kHz, 10 kHz) | \pm 12 dB |
|---|-------------|

General

Power Consumption 150 W (IEC)

Dimensions W: 440 mm

H: 133 mm

D: 284 mm

Weight (Net)..... 7.1 kg

Note:

KENWOOD follows a policy of continuous advancements in development. For this reason specifications may be changed without notice.

Note :

Component and circuitry are subject to modification to insure best operation under differing local conditions. This manual is based on, the Other Areas (M) standard, and provides information on regional circuit modification through use of alternate schematic diagrams, and information on regional component variations through use of parts list.

KENWOOD CORPORATION

Shionogi Shibuya Building, 17-5, 2-chome Shibuya, Shibuya-ku, Tokyo 150, Japan

KENWOOD U.S.A. CORPORATION

2201 East Dominguez Street, Long Beach, CA 90810;
550 Clark Drive, Mount Olive, NJ 07828, U.S.A.

KENWOOD ELECTRONICS CANADA INC.

P.O. BOX 1075, 959 Gana Court, Mississauga, Ontario, Canada L4T 4C2

TRIO-KENWOOD U.K. LIMITED

KENWOOD House, Dwight Road, Watford, Herts., WD1 8EB United Kingdom

KENWOOD ELECTRONICS BENELUX N.V.

Mechelsesteenweg 418 B-1930 Zaventem, Belgium

KENWOOD ELECTRONICS DEUTSCHLAND GMBH

Rembrücker-Str. 15, 6056 Heusenstamm, West Germany

TRIO-KENWOOD FRANCE S.A.

13 Boulevard Ney, 75018 Paris, France

KENWOOD LINEAR S.p.A.

20125, MILANO-VIA ARBE, 50, ITALY

KENWOOD ELECTRONICS AUSTRALIA PTY. LTD. (INCORPORATED IN N.S.W.)

4E Woodcock Place, Lane Cove, N.S.W. 2066, Australia

KENWOOD & LEE ELECTRONICS, LTD.

Wang Kee Building, 4th Floor, 34-37, Connaught Road, Central, Hong Kong