

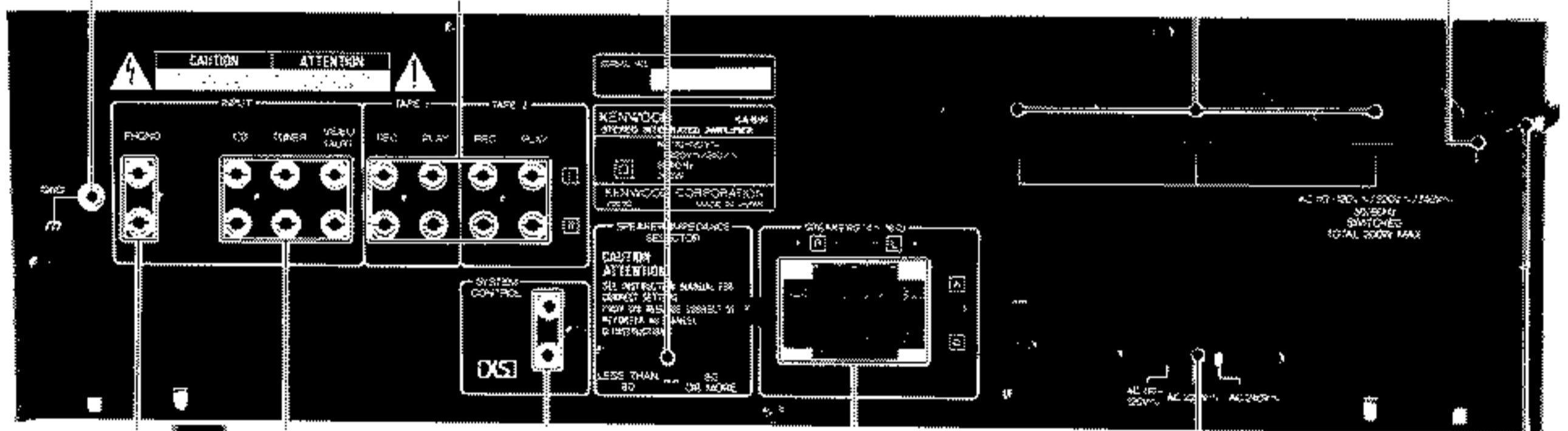
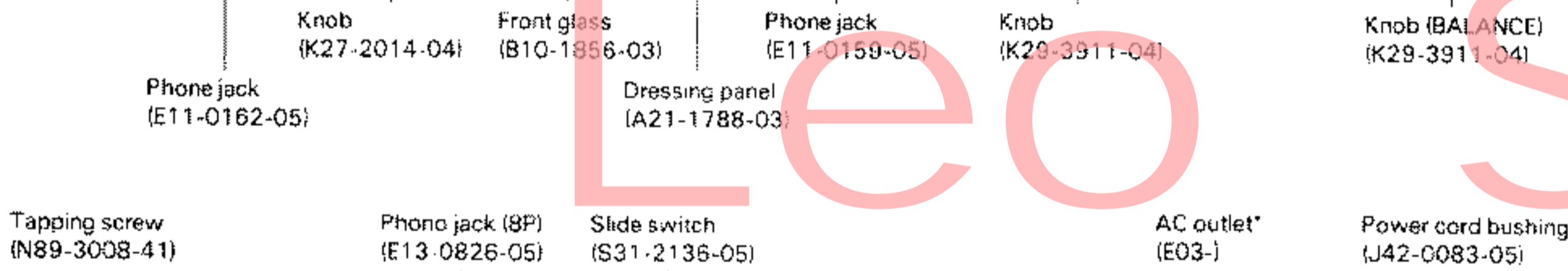
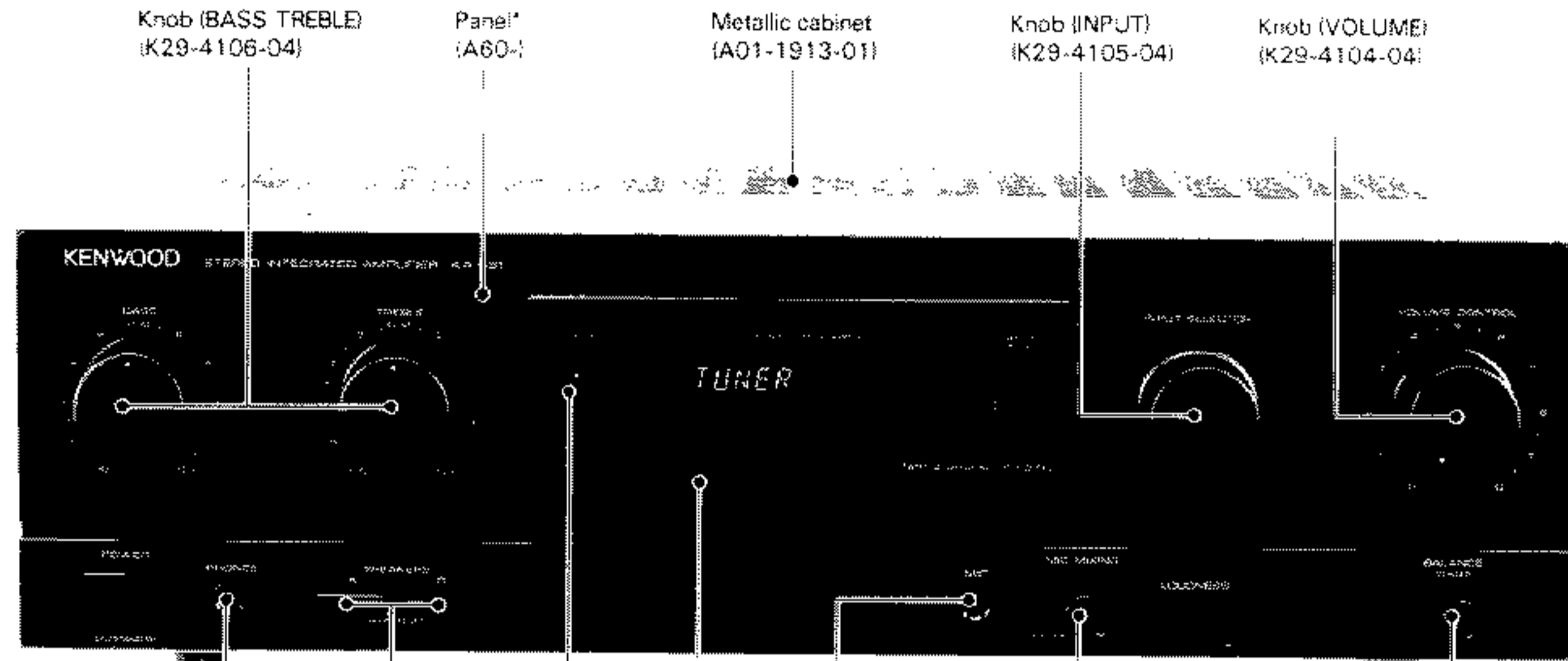
STEREO INTEGRATED AMPLIFIER
KA-691/791
 SERVICE MANUAL

KENWOOD **KA-691/791**

WIRING DIAGRAM

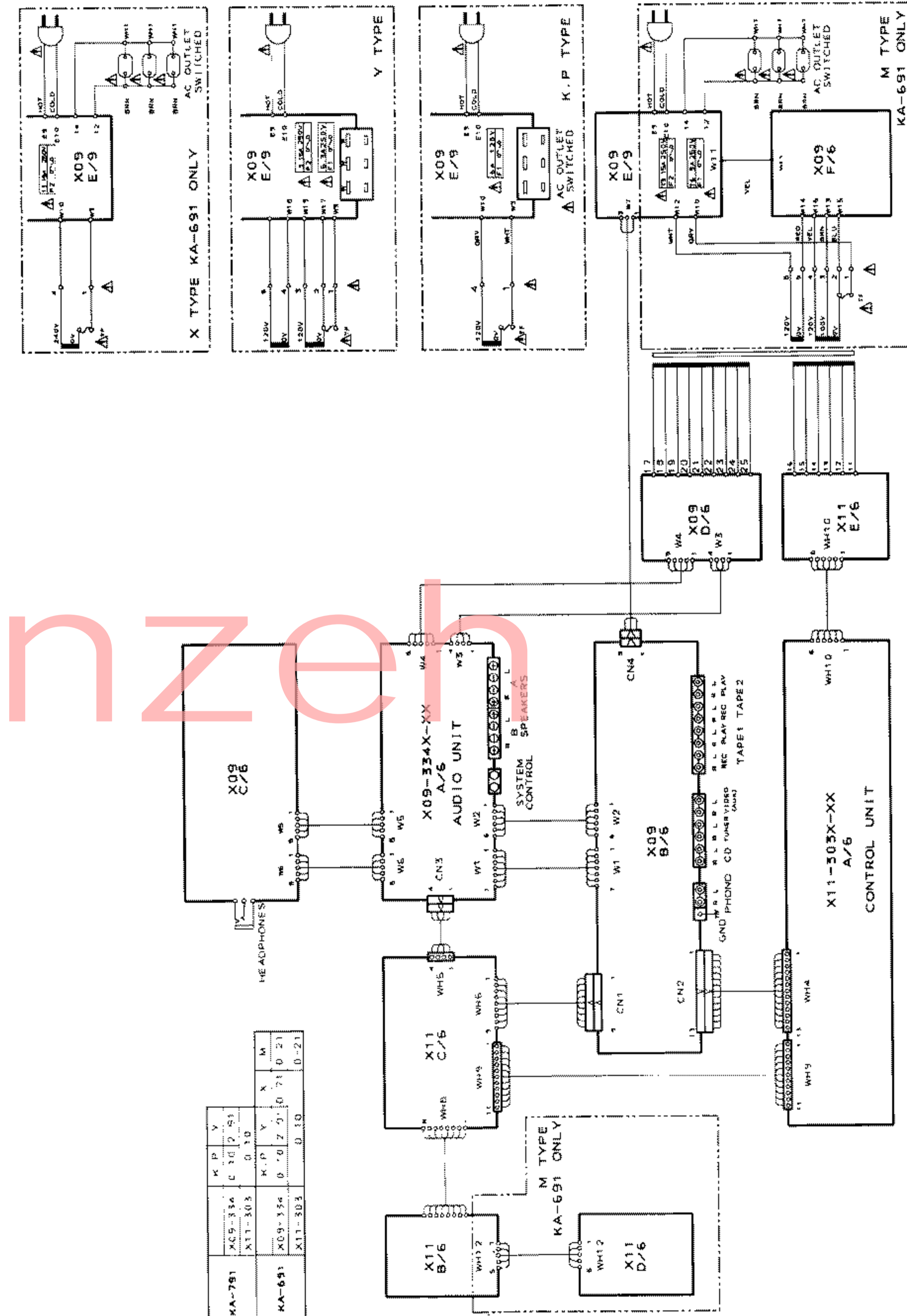
© 1991-2 PRINTED IN JAPAN
 B51-4285-00(S)2260

<KA-691>



Foot (J02-1013-05)

Photo is KA-691M
 * Refer to parts list on page 20.



CONTENTS

CONTROL AND OPERATION.....	3	SCHEMATIC DIAGRAM.....	15
DISASSEMBLY FOR REPAIR.....	5	EXPLODED VIEW.....	19
CIRCUIT DESCRIPTION.....	6	PARTS LIST.....	20
ADJUSTMENT/REGLAGES/ABGLEICH.....	9	SPECIFICATIONS (KA-691).....	27
WIRING DIAGRAM.....	10	SPECIFICATIONS (KA-791).....	Back cover
PC BOARD.....	11		

<KA-791>

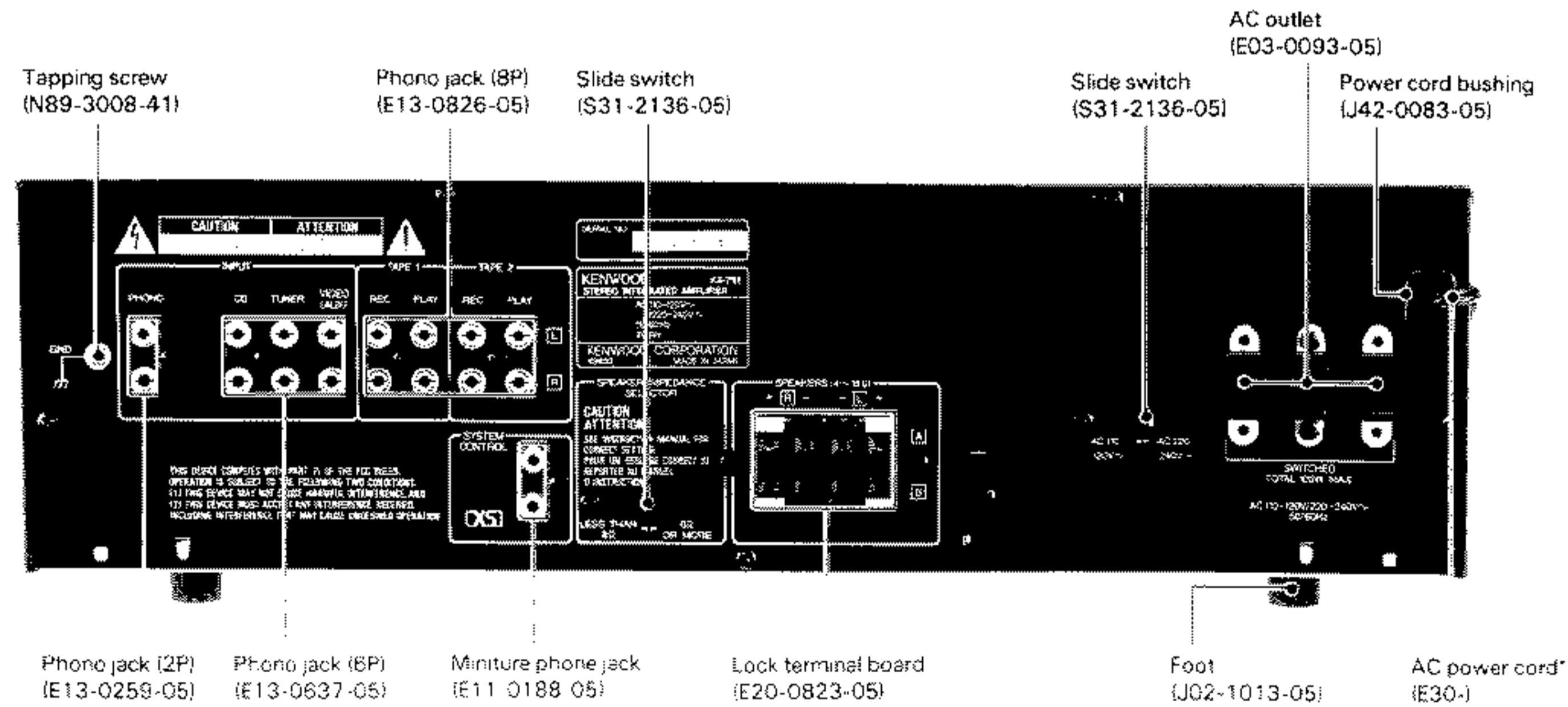
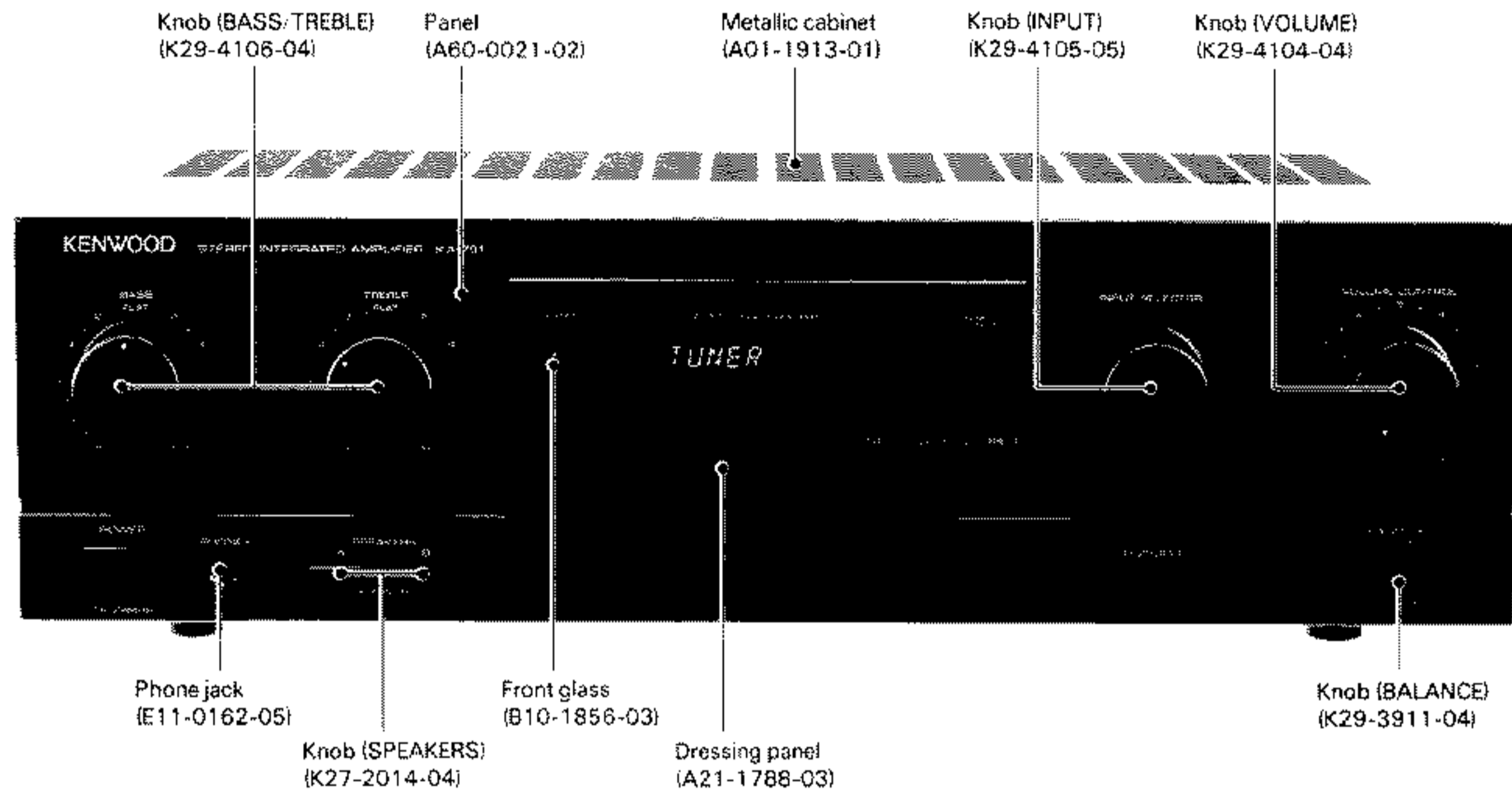
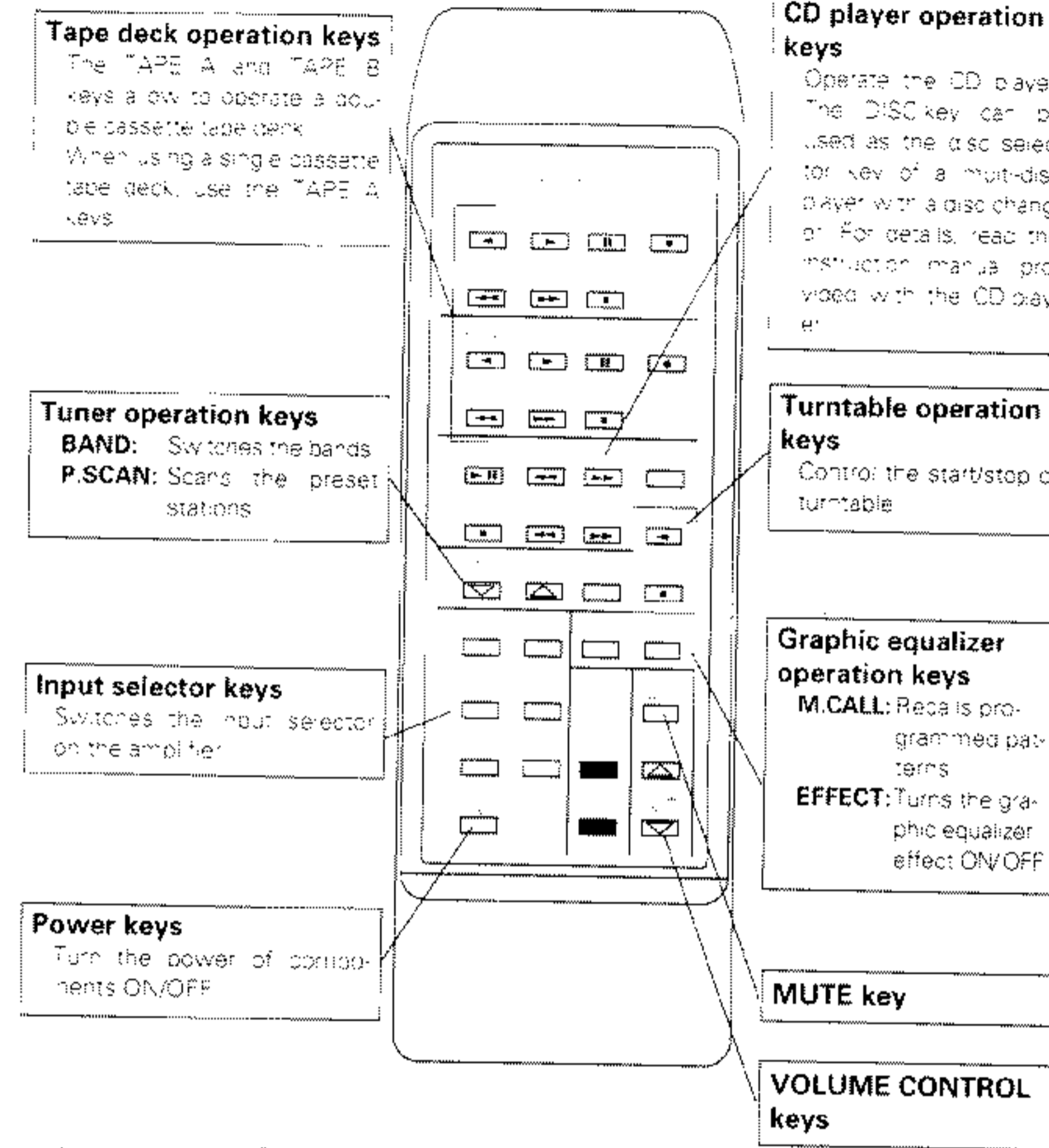


Photo is KA-791M
* Refer to parts list on page 20.

CONTROL AND OPERATION

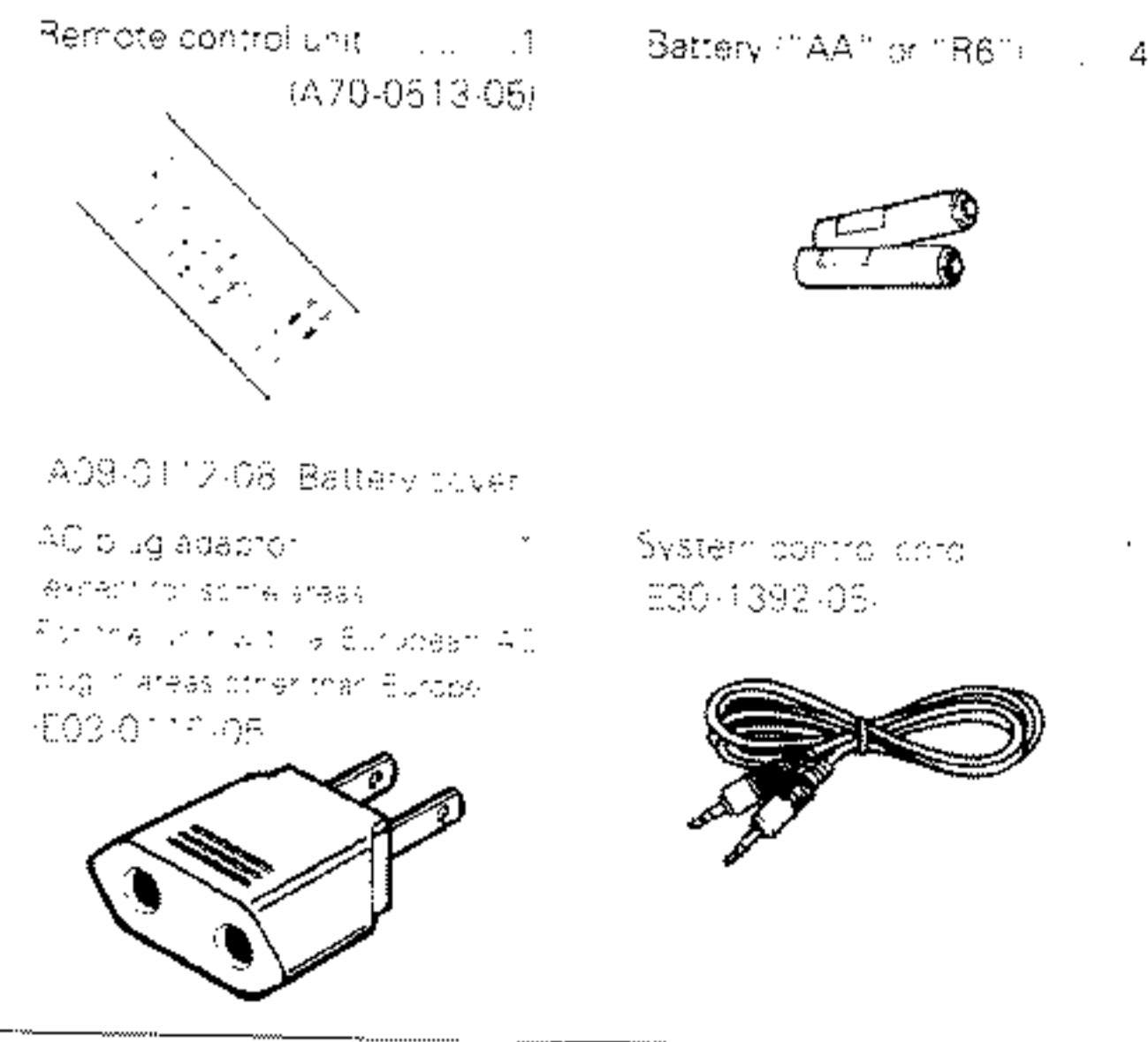
<KA-691>



Keys masked with ■ are functions which are not supported with this product.

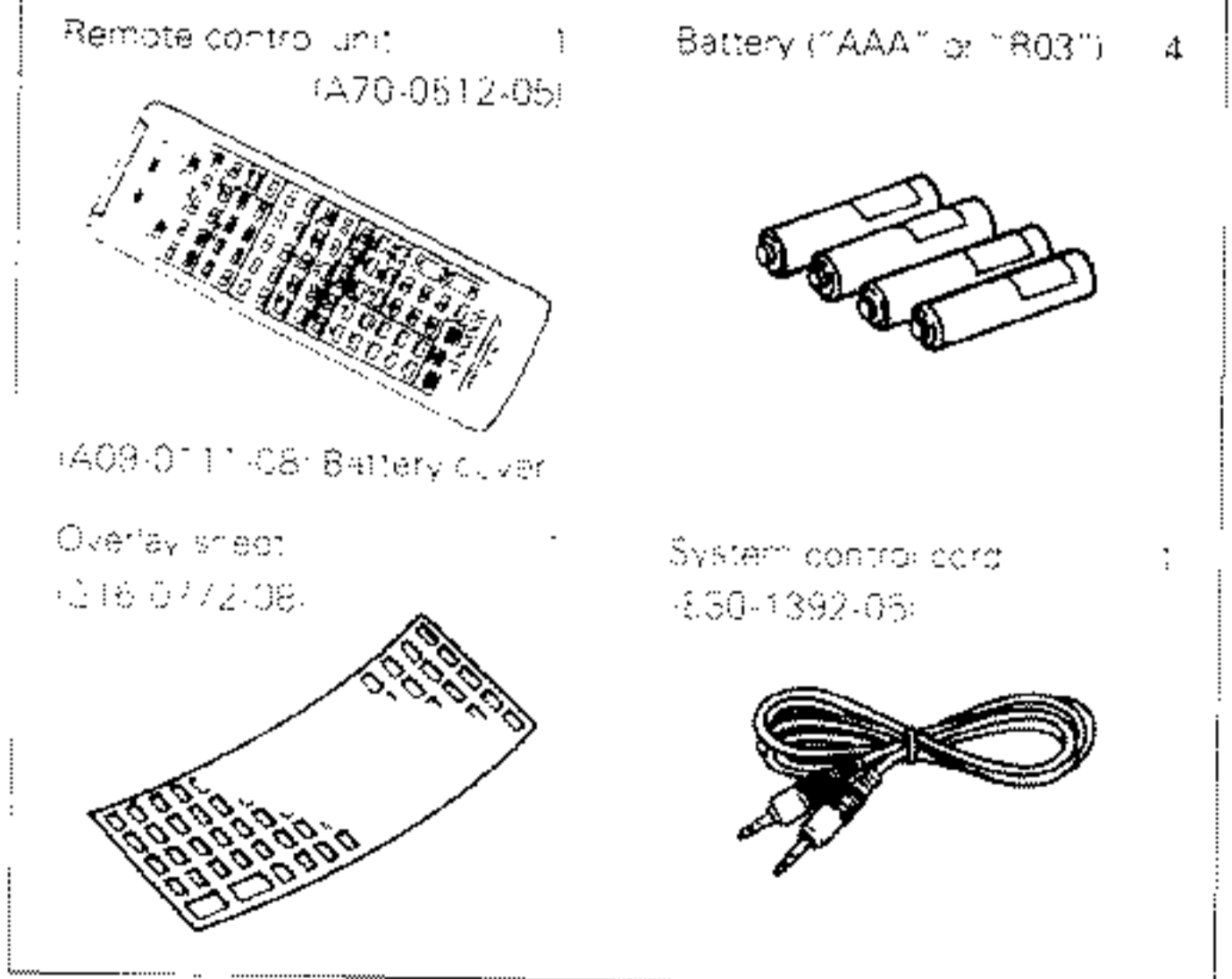
<KA-691>

Accessories




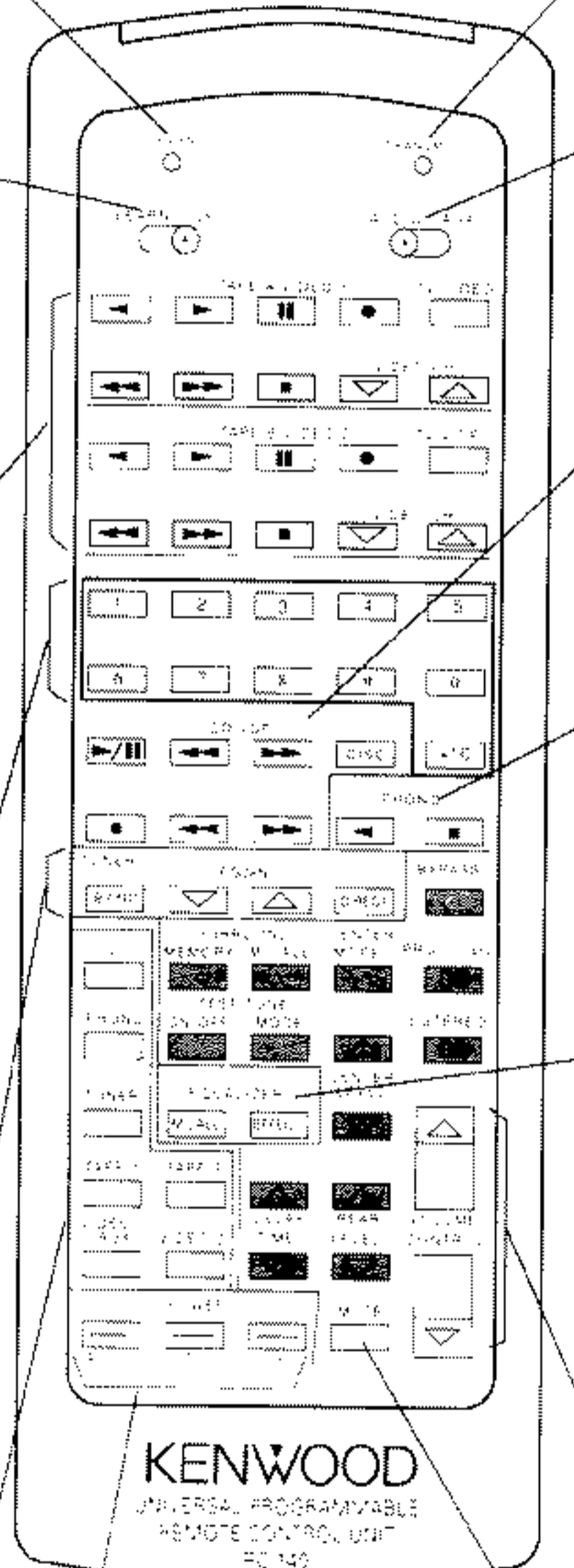
<KA-791>

Accessories



<KA-791>

Keys masked with  are functions which are not supported with this product.



LEARN indicator
Blinks or lights steadily during programming procedure

LEARN/USE switch
Normally set to the USE position. Set to the LEARN position when programming remote control signals.

Tape deck/video deck operation keys
The TAPE A and TAPE B keys allow to operate a double cassette tape deck. When using a single cassette tape deck, use the TAPE A keys. A video deck can also be operated by programming the control signals of a video deck in the AUX mode.

Numeric keys
When the CD source is selected, these keys can be used as the numeric keys of the CD player. When the TUNER source is selected, they can be used as the numeric keys of the tuner.
How to enter numerals
For 23 press ± 10 twice and .3.
For 40 press ± 10 four times and 0.

TUNER operation keys
BAND: Switches the bands.
P.SCAN: Scans the preset stations.
DIRECT: In conjunction with the numeric keys, tunes stations directly. (The DIRECT key cannot be used with the KT 591/S.)

Input selector keys
Switches the input selector on the amplifier.

POWER keys
Turn the power of components ON/OFF. For the TV and VIDEO keys, specific control signals should be programmed under them.

TRANSMIT indicator
Lights up while the remote control signal is being transmitted.

MODE switch
Selects the mode to be used.

CD player operation keys
Operate the CD player.
DISC: The DISC key can be used as the disc selector key of a multi-disc player with a disc changer. For details, read the instruction manual provided with the CD player.

Turntable operation keys
Control the start/stop of turntable.

Amplifier's equalizer operation keys
M.CALL: Recalls programmed patterns

```

    M1 → M2 → M3
    EQ OFF ← M5 ← M4
    
```

EFFECT: Turns the graphic equalizer effect ON/OFF.

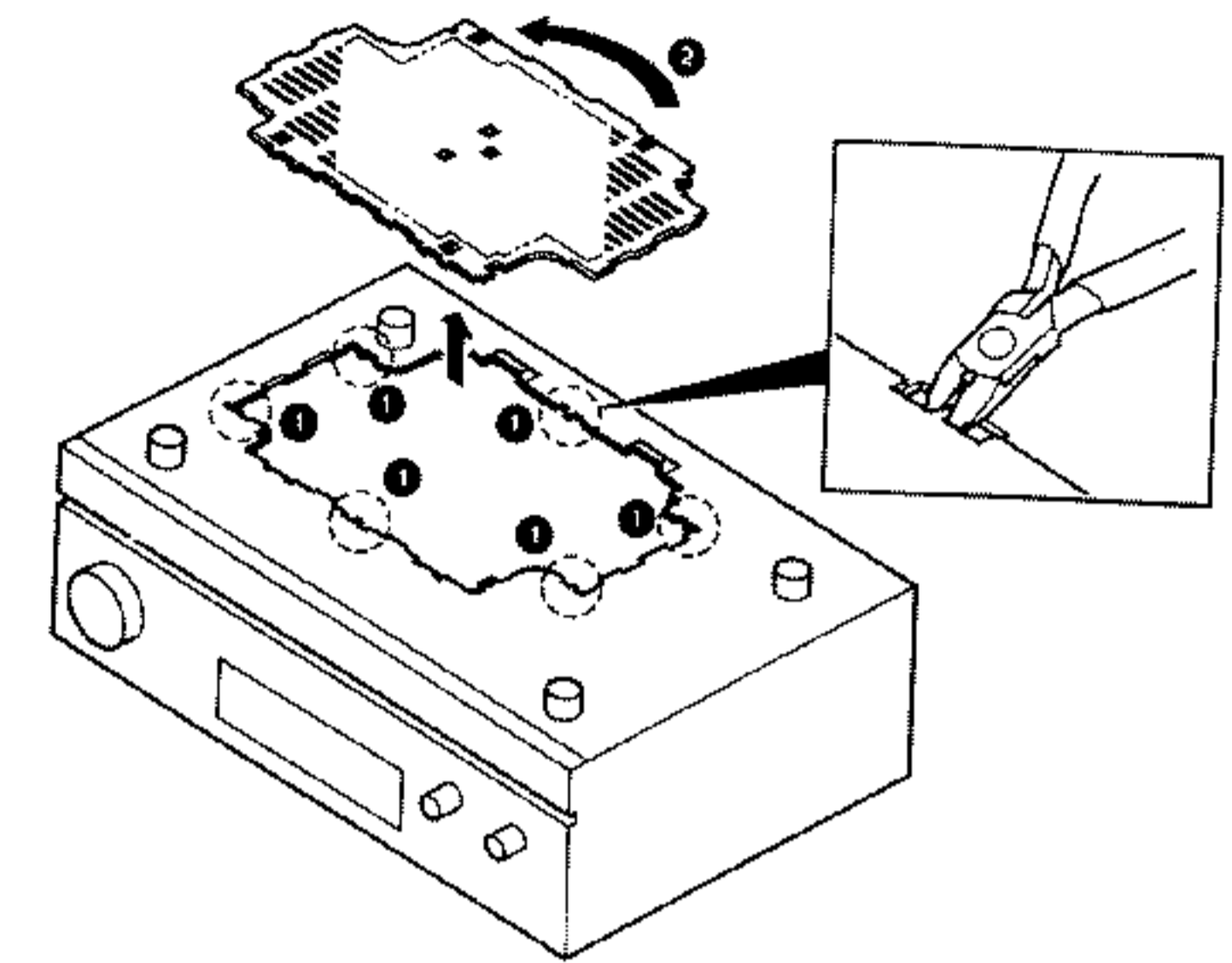
VOLUME CONTROL keys
Adjust the volume. During operation, the VOLUME CONTROL on the front turns and the indicator on the knob blinks at high speed.

MUTE key
Press to reduce the volume temporarily. During operation, the indicator on the VOLUME CONTROL knob blinks.

KENWOOD
UNIVERSAL PROGRAMMABLE
REMOTE CONTROL UNIT
RC 149

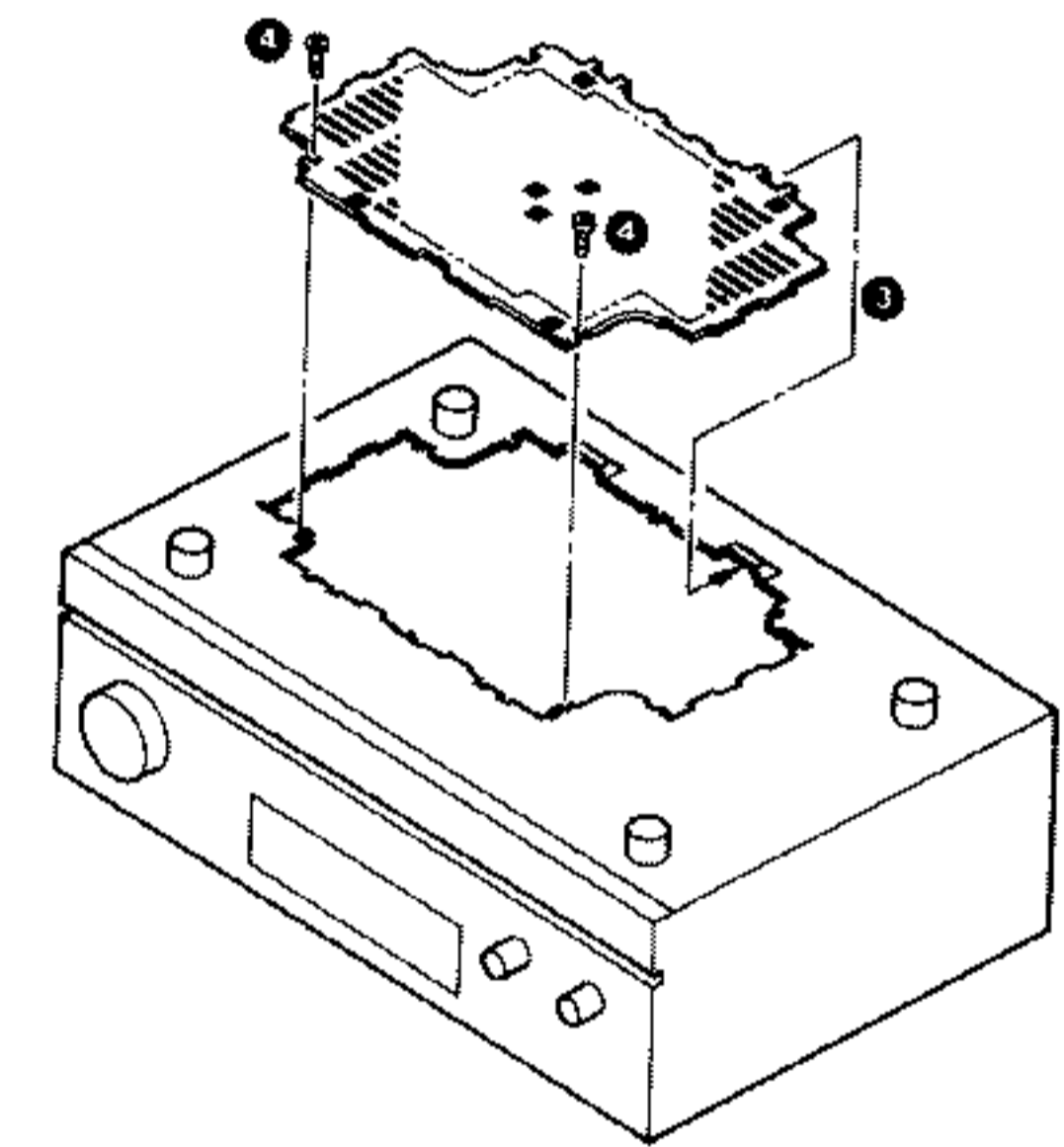
How to remove the repairing chassis

- 1 Cut the 6 parts ① of the repairing chassis. Remove the repairing chassis from main chassis.



After repair

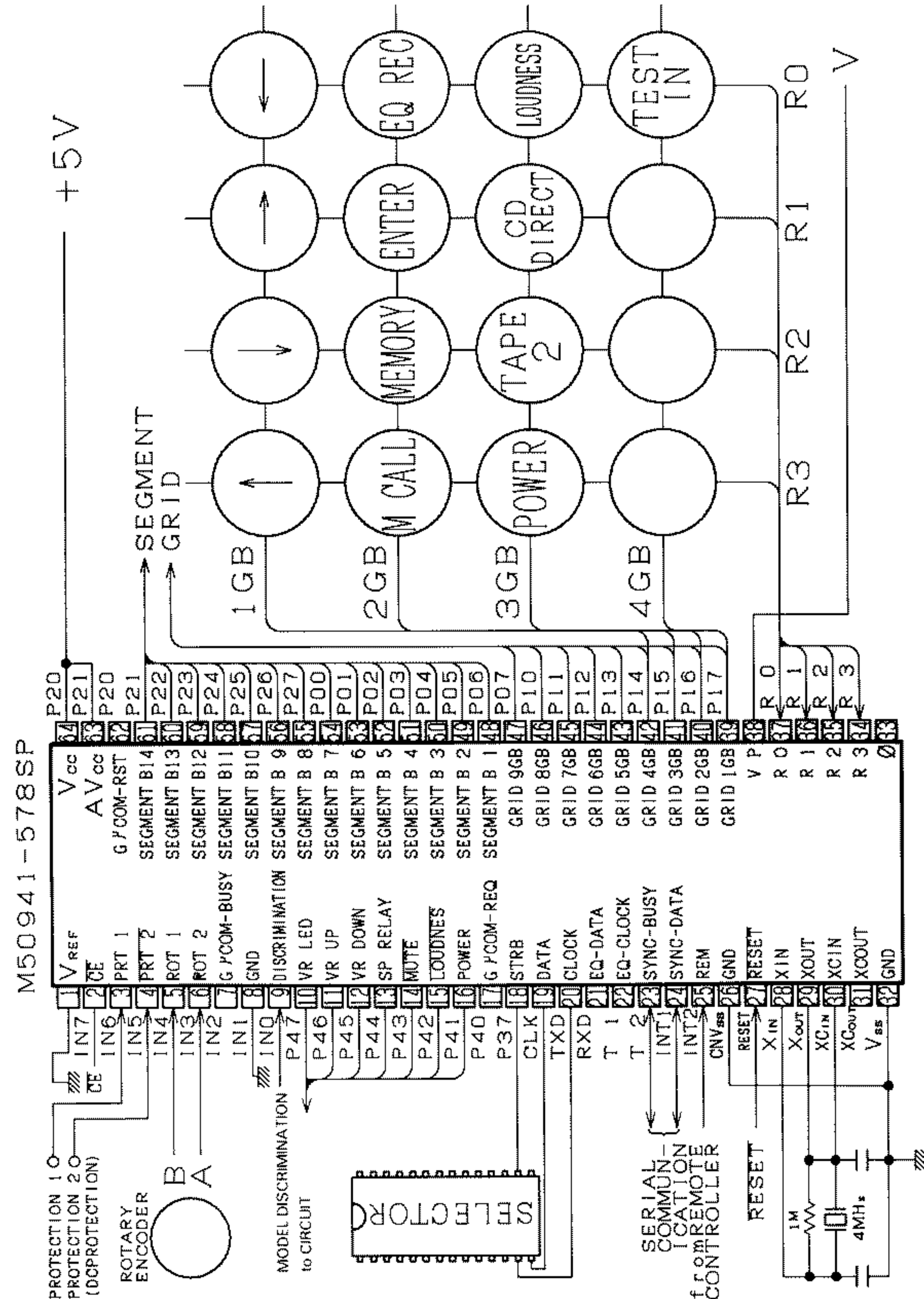
- 2 Turn the repairing chassis 180 degrees in the arrow direction ②.
- 3 Insert the 2 claws ③ into main chassis.
- 4 Lock to the main chassis by 2 screws (M3 x 6) ④.



CIRCUIT DIAGRAM

Micro processor (M50941-578SP)

Pin description



CIRCUIT DIAGRAM

Pin description

Pin No.	Pin Name	I/O	Name	Description
1	VREF	I	OV	GND
2	IN 7	I	CE	Chip enable
3	IN 6	I	PRT 1	Protection
4	IN 5	I	PRT 2	DC protection
5	IN 4	I	ROT 1	Rotary encoder
6	IN 3	I	ROT 2	Rotary encoder
7	IN 2	I	G μCOM-BUSY	Display μ-COM busy
8	IN 1	I		
9	IN 0	I		
10	P4 7	O	VR LED	Volume LED
11	P4 6	O	VR UP	Volume up
12	P4 5	O	VR DOWN	Volume down
13	P4 4	O	SP RELAY	Speaker relay
14	P4 3	O	MUTE	Mute
15	P4 2	O	LOUDNESS	Loudness
16	P4 1	O	POWER	Power
17	P4 0	O	G μCOM-REQ	Display μ-COM request
18	P3 7 S-RDY	O	STRB	Strobe (Selector)
19	P3 6 CLK	O	DATA	Data (Selector, Display μ-COM)
20	P3 5 TXD	O	CLOCK	Clock (Selector Display μ-COM)
21	P3 4 RXD	O	EQ-DATA	Data for GE
22	P3 3 T1	O	EQ-CLOCK	Clock for GE
23	P3 2 T2	I/O	SYNC-BUSY	Syncro busy
24	P3 1 INT1	I/O	SYNC-DATA	Syncro data
25	P3 0 INT2	I	REM	Remote controller input
26	CNVSS	I	GND	
27	RESET	I	RESET	Reset
28	XIN	I	XIN	Clock
29	XOUT	O	XOUT	Clock
30	XCIN	I	XCIN	GND
31	XCOUNT	O	XCOUNT	
32	Vss	I	GND	GND
33	φ	O	φ	Timing output
34	R3	I	R3	Key return input 3
35	R2	I	R2	Key return input 2
36	R1	I	R1	Key return input 1
37	R0	I	R0	Key return input 0
38	VP	I	VP	Pull-down voltage
39	P1 7	O	GRID 1GB	Grid
40	P1 6	O	GRID 2GB	Grid
41	P1 5	O	GRID 3GB	Grid
42	P1 4	O	GRID 4GB	Grid
43	P1 3	O	GRID 5GB	Grid
44	P1 2	O	GRID 6GB	Grid

CIRCUIT DESCRIPTION

Pin No.	Pin Name	I/O	Name	Description
45	P1 1	O	GRID 7GB	Grid
46	P1 0	O	GRID 8GB	Grid
47	PO 7	O	GRID 9GB	Grid
48	PO 6	O	SEGMENT B1	Segment
49	PO 5	O	SEGMENT B2	Segment
50	PO 4	O	SEGMENT B3	Segment
51	PO 3	O	SEGMENT B4	Segment
52	PO 2	O	SEGMENT B5	Segment
53	PO 1	O	SEGMENT B6	Segment
54	PO 0	O	SEGMENT B7	Segment
55	P2 7	O	SEGMENT B8	Segment
56	P2 6	O	SEGMENT B9	Segment
57	P2 5	O	SEGMENT B10	Segment
58	P2 4	O	SEGMENT B11	Segment
59	P2 3	O	SEGMENT B12	Segment
60	P2 2	O	SEGMENT B13	Segment
61	P2 1	O	SEGMENT B14	Segment
62	P2 0	O	G μCOM-RS1	Display μ-COM reset
63	P2 1	O	AV _{CC}	
64	P2 0	O	V _{CC}	V _{CC}

TEST mode

1. Setting method

The power supply code is connected AC wall socket while pressing CD DIRECT key.

2. Content

- 2-1 A spectrum analyzer sections except for all FL tube is lighted.
- 2-2 When other key are pushed all illuminations are canceled.
- 2-3 EQ FREQ knob operation
A selection of a frequency is carried out similarly with at the time of an ordinariness.

- 2-4 EQ LEVEL knob operation
A level of frequency range where was selected is controlled with 3 point of MAX. CENTER. MIN.
- 2-5 M1: MAX segments of all frequency range turn ON.
M2: MIN segments of all frequency range turn ON.
M3 — M5: Flat
- 2-6 CD DIRECT key operation Volume up
- 2-7 TAPE 2 key operation Volume down

INITIALIZATION

The power supply code is connected AC wall socket while pressing ENTER key.

ADJUSTMENT/REGLAGE/ABGLEICH

ADJUSTMENT

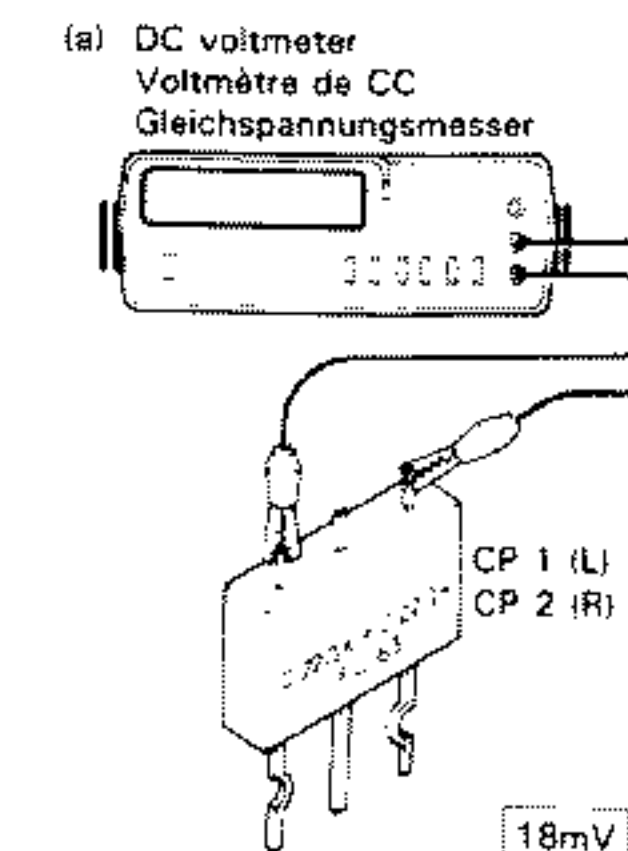
No.	ITEM	INPUT SETTINGS	OUTPUT SETTINGS	AMPLIFIER SETTING	ALIGNMENT POINTS	ALIGN FOR	FIG.
Unless otherwise specified, set the respective switches as follows: POWER: ON SPEAKER: B REC OUT: OFF SELECTOR: PHONO							
1	IDLE CURRENT	-	Connect a DC voltmeter across CP1 (L) CP2 (R) (X09-)	VOLUME: 0	VR1 (L) VR2 (R) (X09-)	18mV	(a)

REGLAGES

N°	ITEM	REGLAGE DE L'ENTREE	REGLAGE DE LA SORTIE	REGLAGE DE L'AMPLIFICATEUR	POINTS DE L'ALIGNEMENT	ALIGNER POUR	FIG.
Sauf indication contraire, régler comme suit les commandes respectives: POWER: ON SPEAKER: B REC OUT: OFF SELECTOR: PHONO							
1	COURANT DE POLARISATION	-	Connecter un voltmètre de CC SUR CP1 (G) CP2 (D) (X09-)	VOLUME: 0	VR1 (G) VR2 (D) (X09-)	18mV	(a)

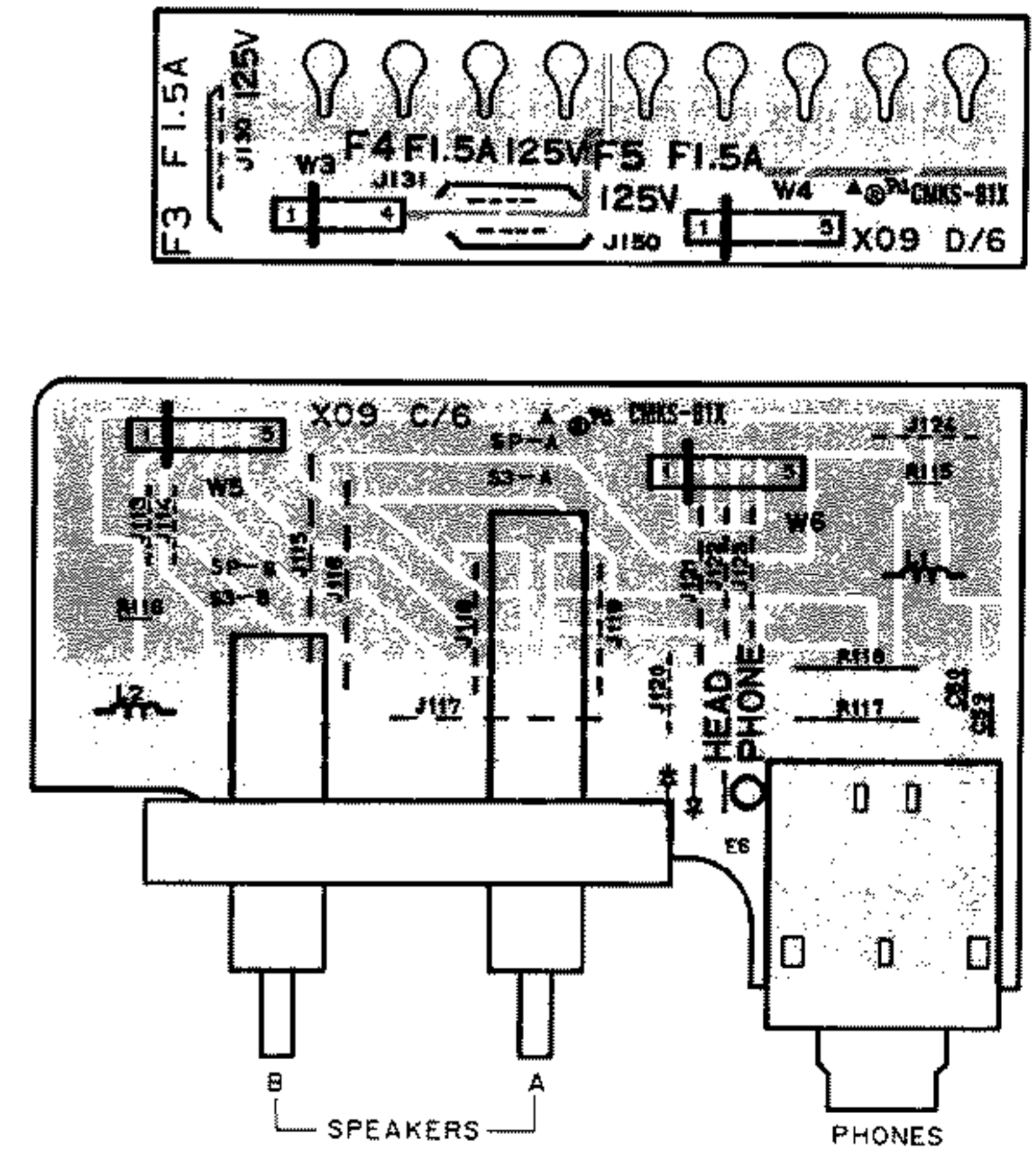
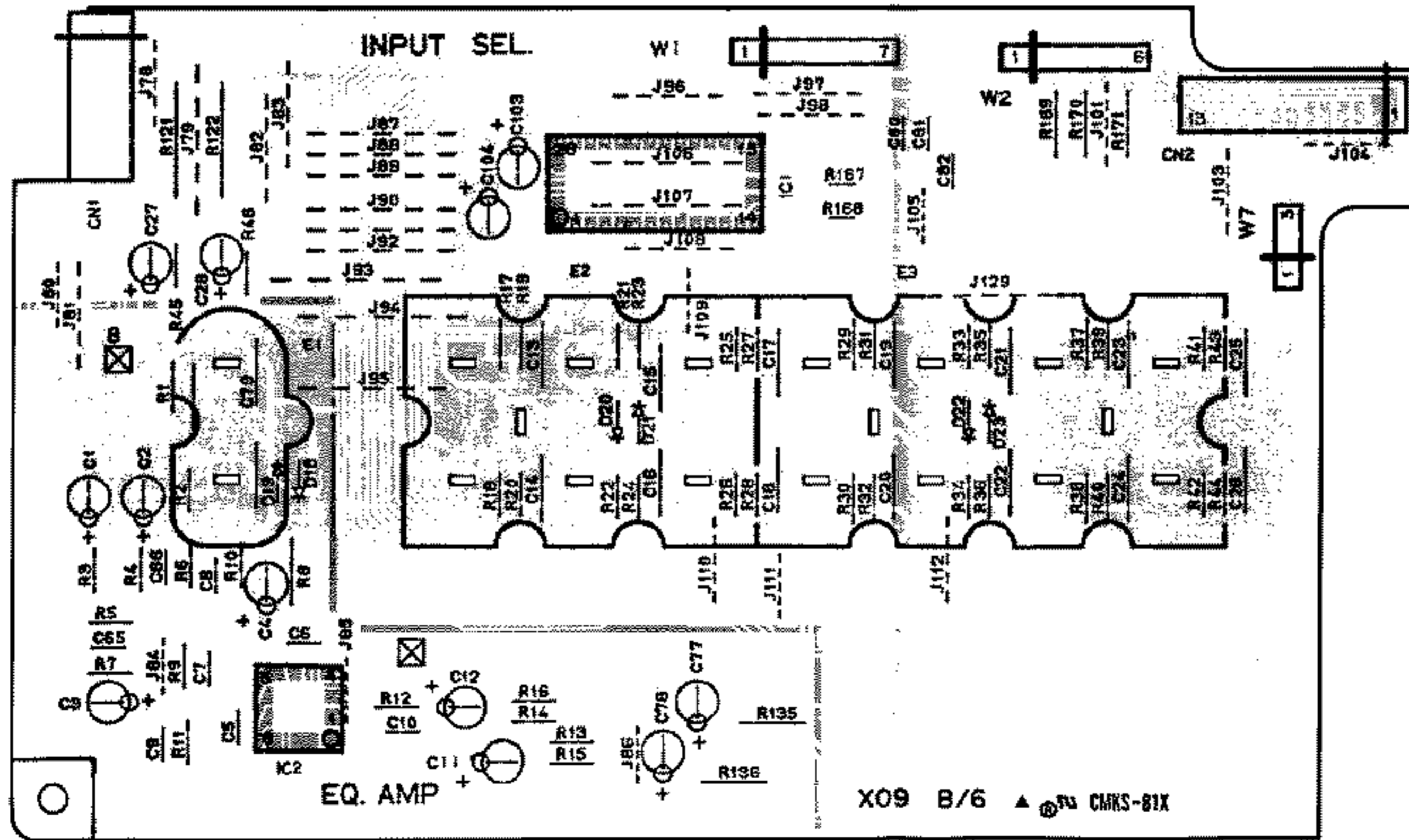
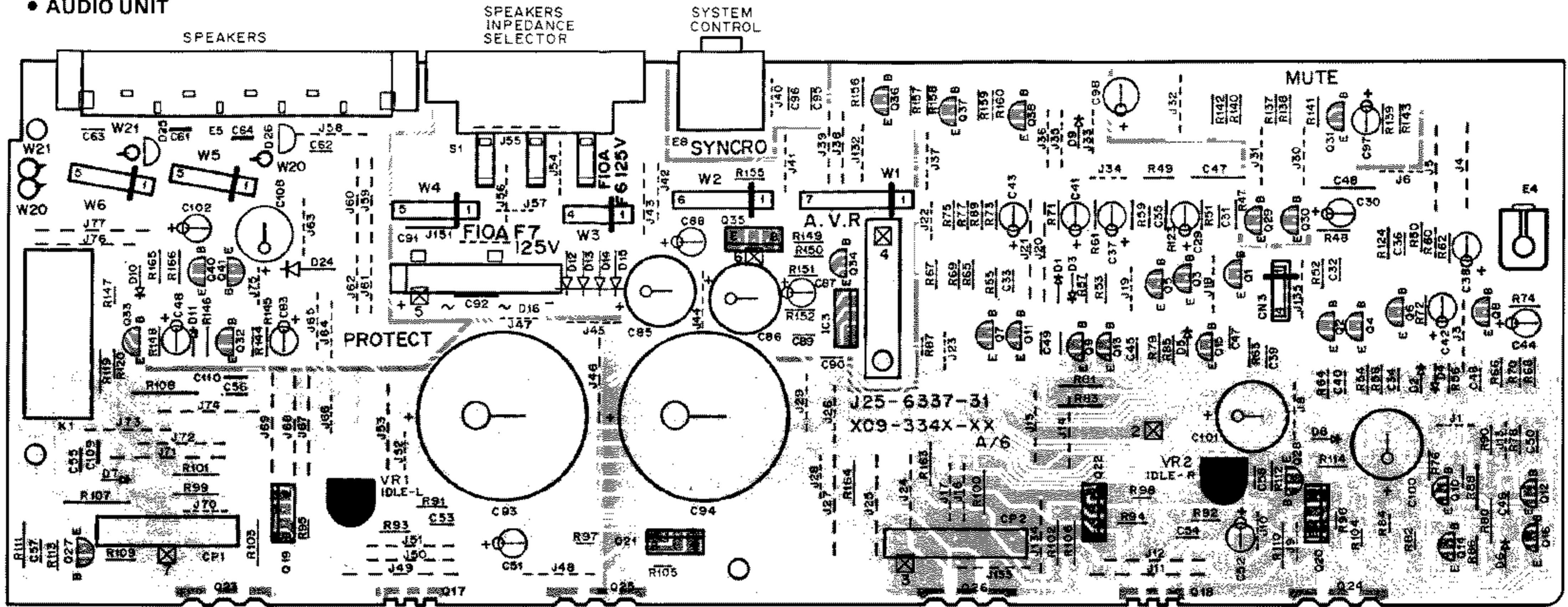
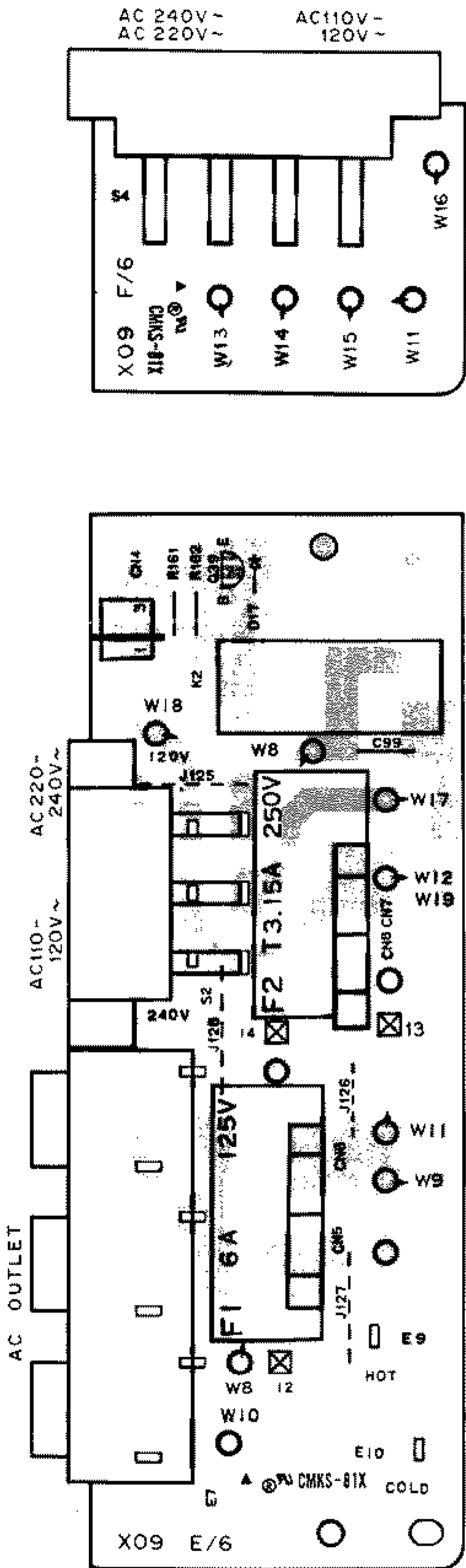
ABGLEICH

NR.	GEGENSTAND	EINGANGS-EINSTELLUNG	AUSGANG-EINSTELLUNG	VORSTÄRKER-EINSTELLUNG	ABGLEICH-PUNKTE	ABGLEICHEN FÜR	ABB.
Wenn nicht anders angegeben, die einzelnen Schalter wie folgt einstellen: POWER: ON SPEAKER: B REC OUT: OFF SELECTOR: PHONO							
1	LEERLAUFSTROM		Einen Gleichspannungsmesser über CP1 (L) CP2 (R) anschließen. (X09-)	VOLUME: 0	VR1 (L) VR2 (R) (X09-)	18mV	(a)



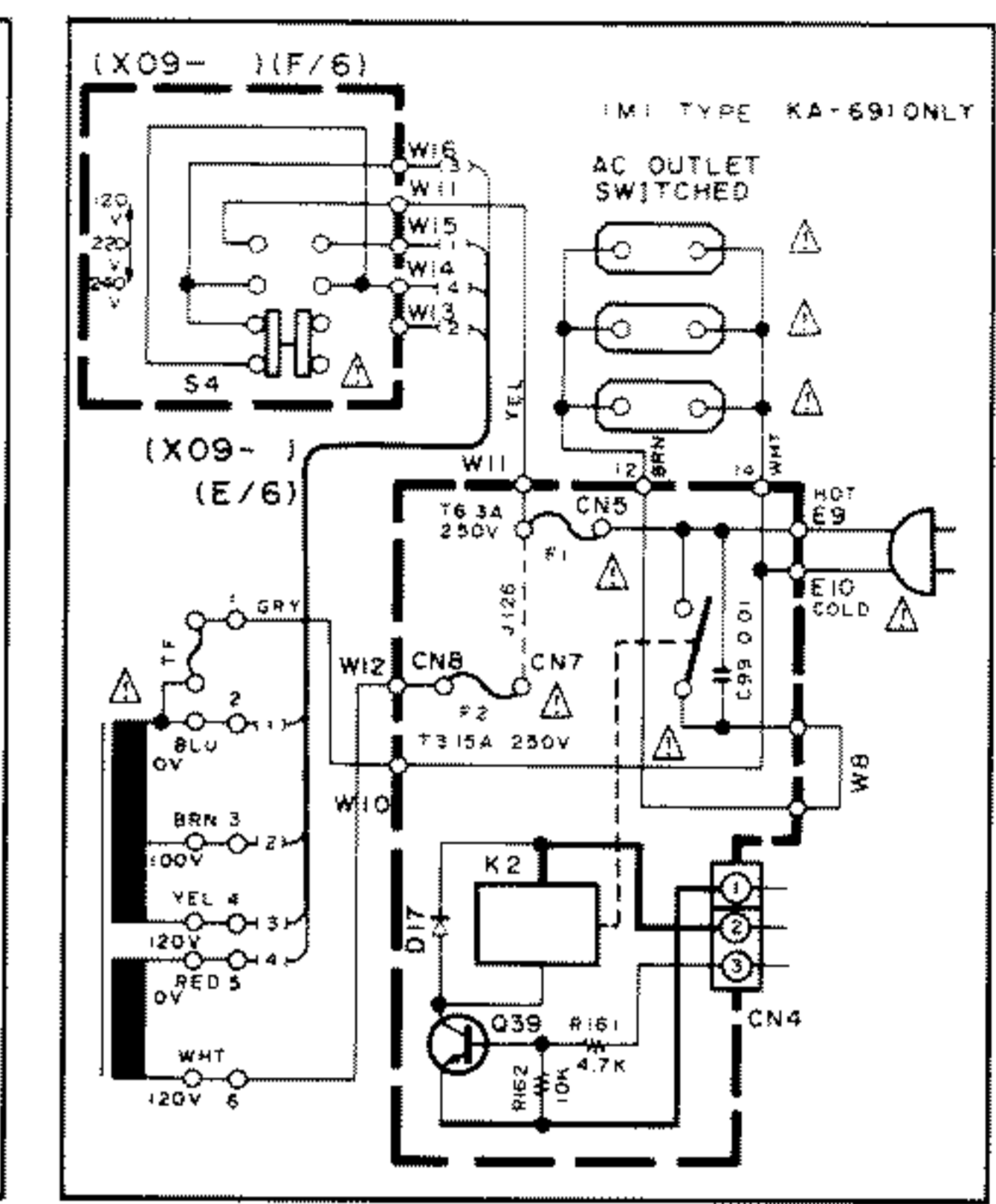
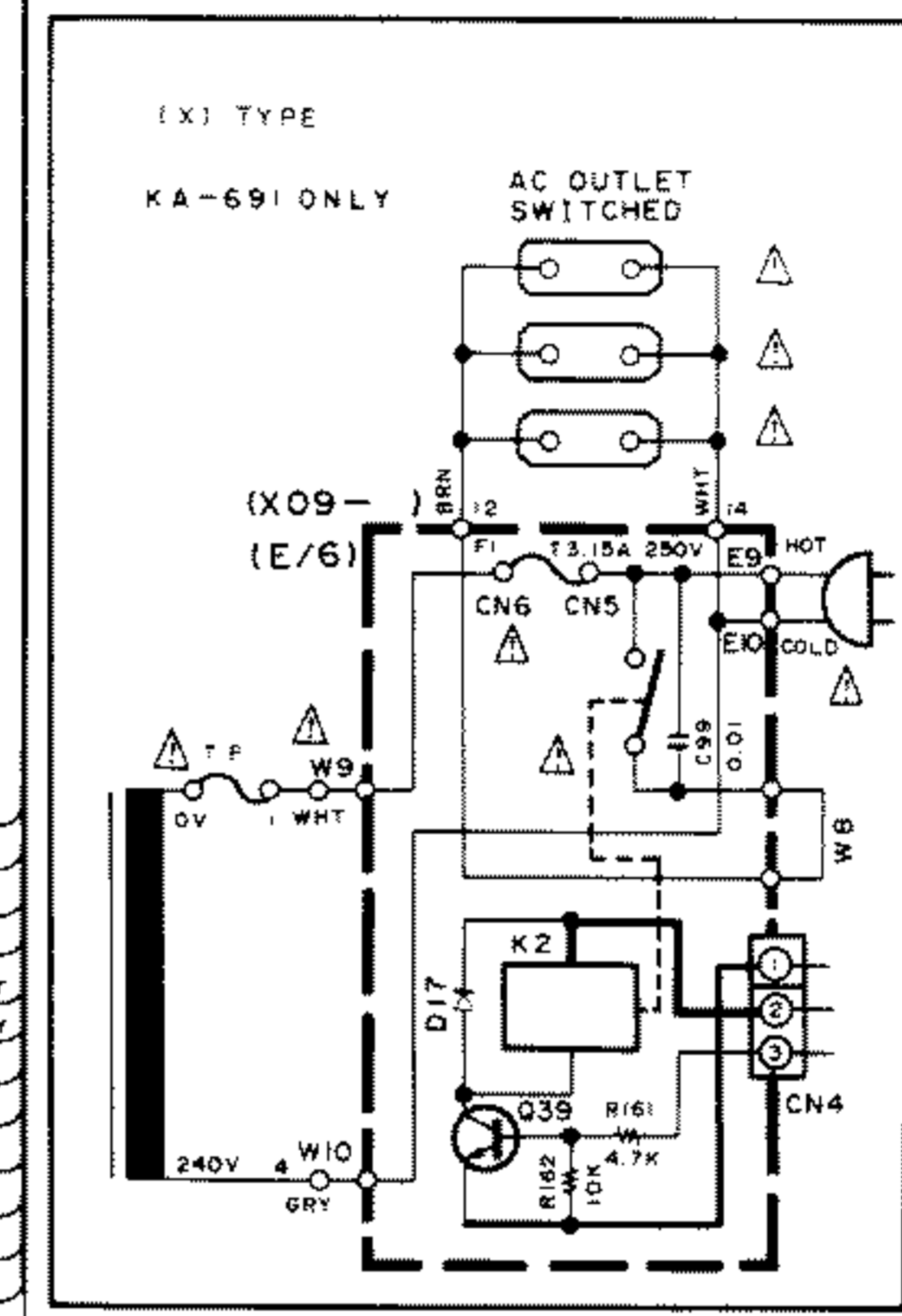
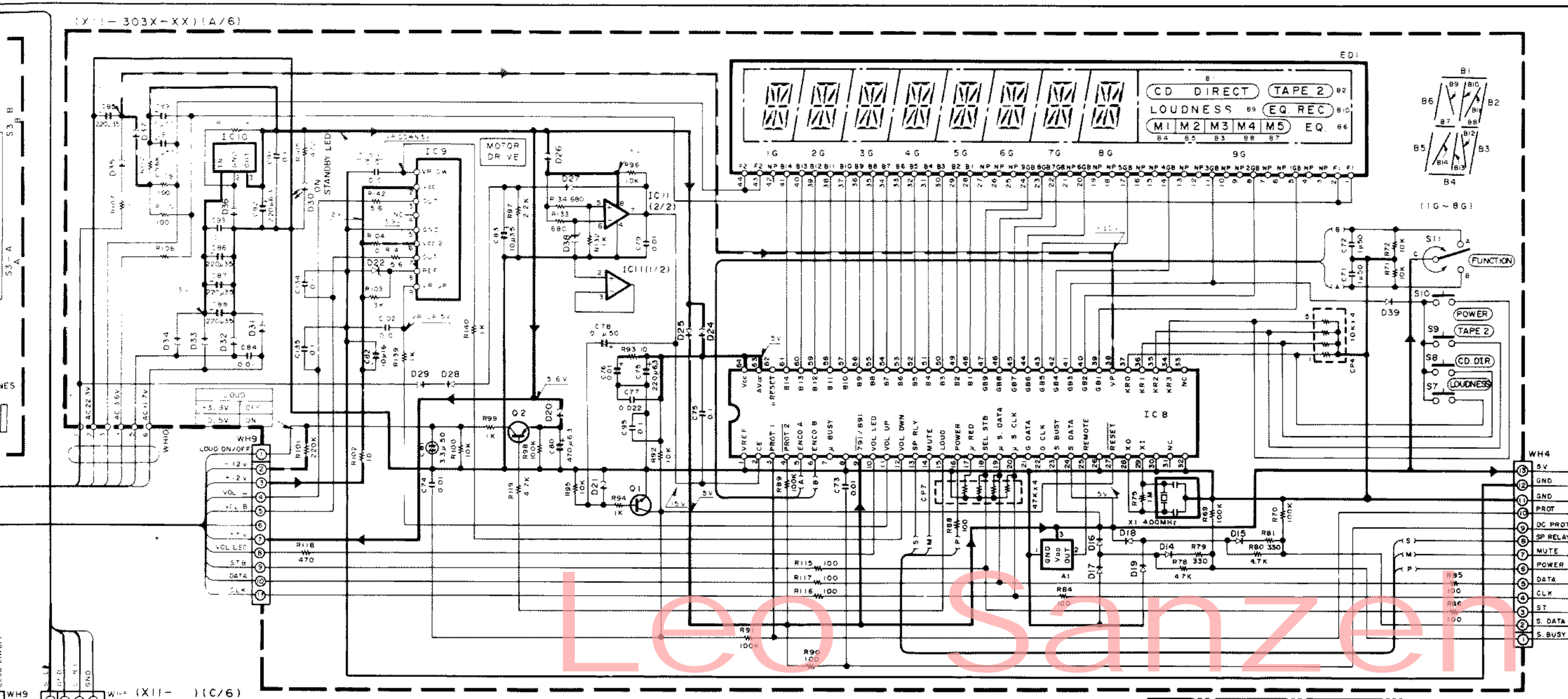
PC BOARD (Component Side View)

• AUDIO UNIT

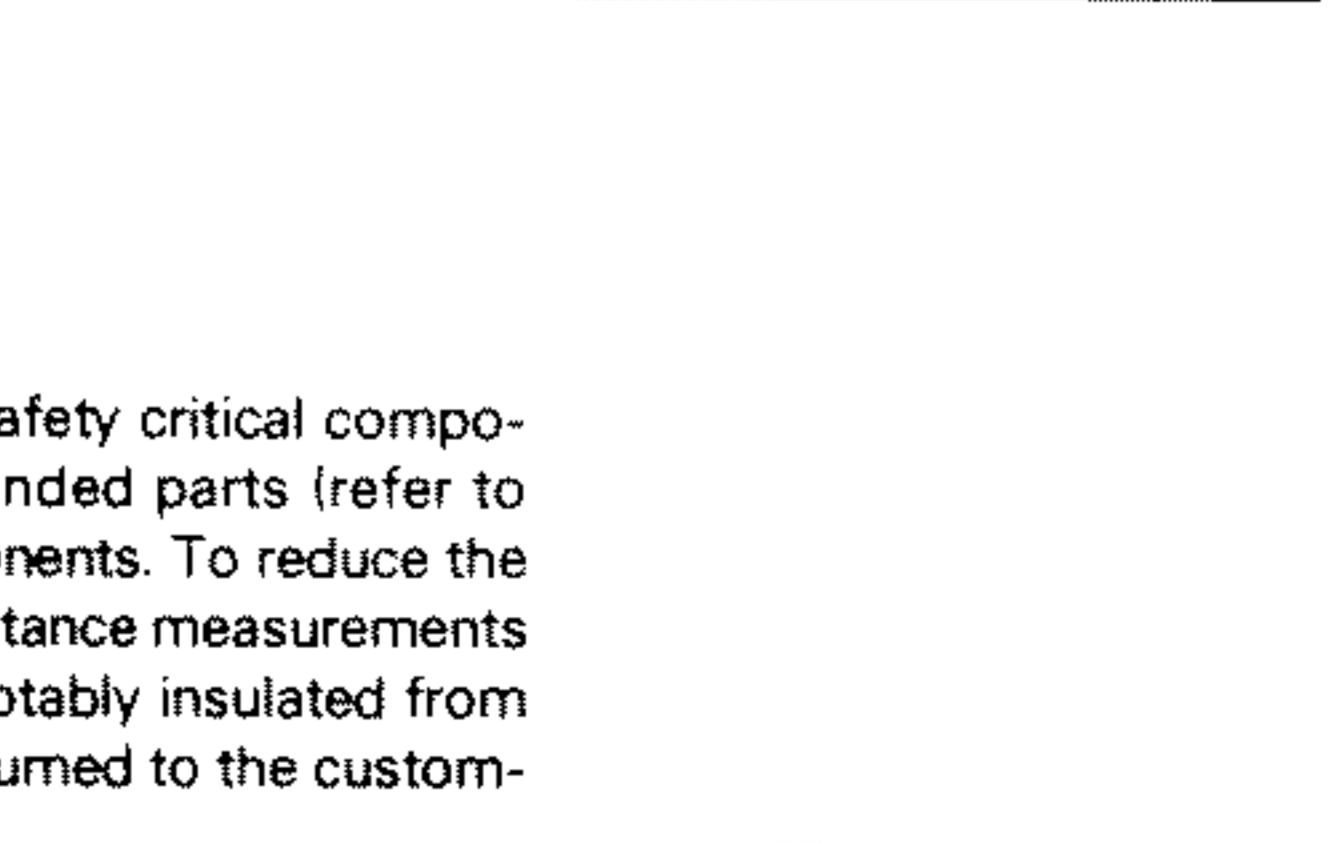
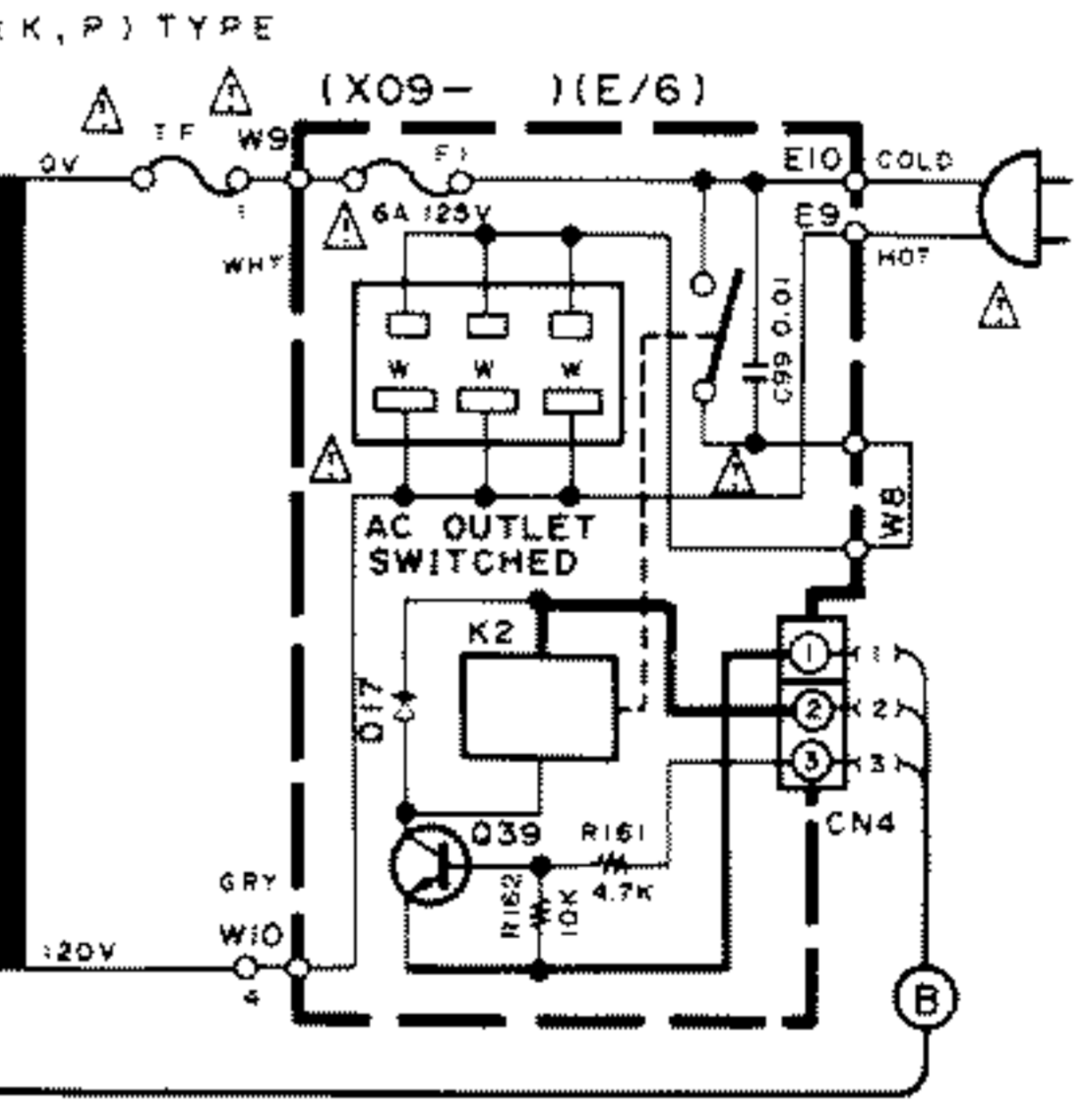
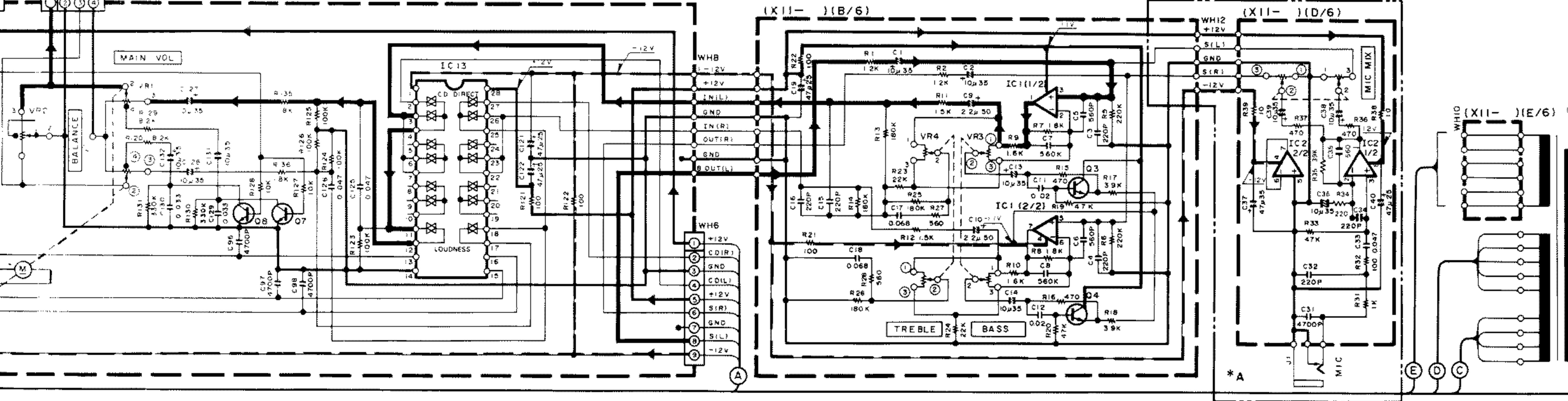
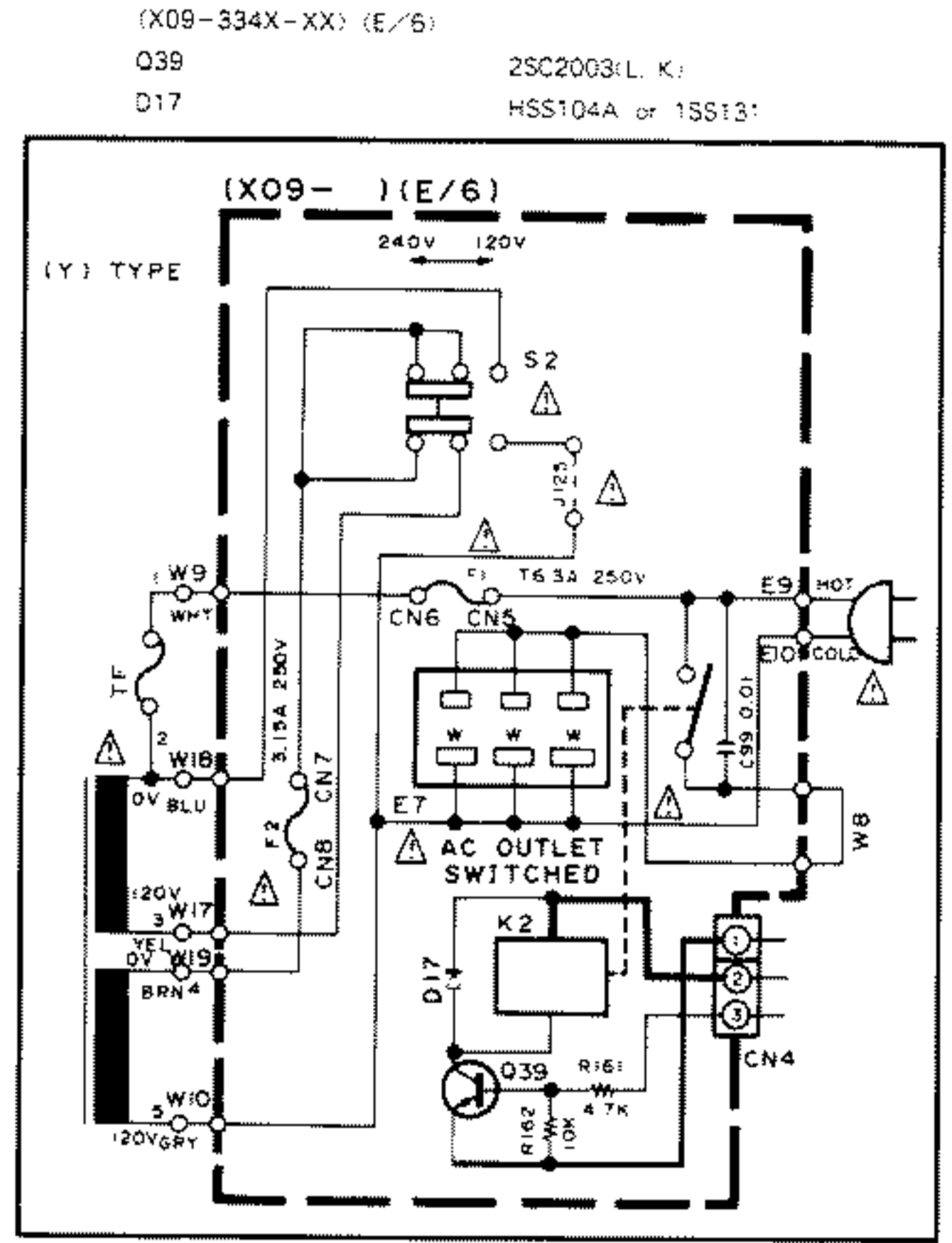


X11-303X-XX A 6	C11	BA10363	D14-21 24-27	HSS104 or 1SS133	D30	B30 129 05
T8	C1	25C1740S Q R or 25C245B Y QR	29 36 39	S58868 or 1SR139 100	D31-35	
D2	C2	25A933S Q R or 25A104B Y QR	D22	HZ53 9V B2 or RD3 9ES B2	D37	HZ5 1V B2 or RD5 1ES B2
C12	C28	25A1305S C R	C28	HZ58 2V B2 or RD8 2ES B2	D38	HZ5 1V B2 or RD2 1ES B2

MODEL	DESTINATION	049	50	55	57	58	62	51
KA-691/791 JAPAN MADE	P	1	10	22P	YES	NC	510	NO
KA-691 JAPAN MADE	V	2	31	33P	NC	YES	510	YES
KA-691/791 SINGAPOLE MADE MALAYSIA MADE	V	2	31	33P	NC	YES	560	YES
KA-691/791 SINGAPOLE MADE MALAYSIA MADE	V	2	31	33P	NC	YES	560	YES
KA-691/791 SINGAPOLE MADE MALAYSIA MADE	V	2	31	33P	NC	YES	560	YES

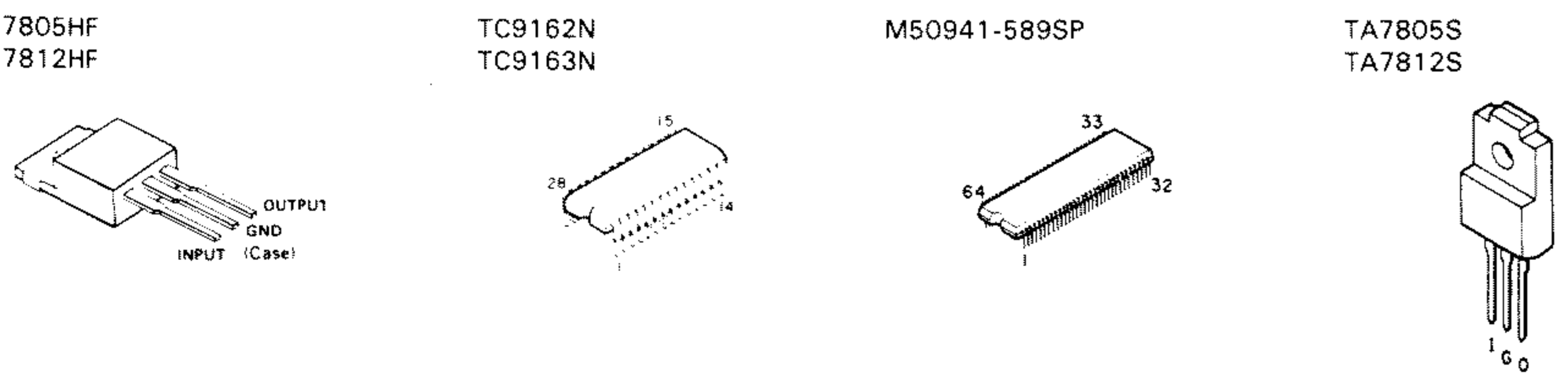


MODEL	DESTINATION	Ref No.	A	WH12
KA-691/791 (JAPAN MADE)	K, P, Y	0-10	NO	NO
KA-691 (JAPAN MADE)	X	0-10	NO	NO
KA-691/791 (SINGAPOLE MADE MALAYSIA MADE)	M	0-21	YES	YES
KA-691/791 (SINGAPOLE MADE MALAYSIA MADE)	K	0-11	NO	NO



— SIGNAL LINE
 — GND LINE
 — +B LINE
 - - - - - B LINE

X11-303X-XX C 6	C13	TC9162N	C17 B	TC9163N	M50941-589SP	TA7805S	TA7812S
X11-303X-XX B 6	C1	TC9162N	C3 4	TC9163N	M50941-589SP	TA7805S	TA7812S
X11-303X-XX (D/6)	C2	TC9162N	C3 4	TC9163N	M50941-589SP	TA7805S	TA7812S



DC voltages are as measured with a high impedance voltmeter with no signal input. Values may vary slightly due to variations between individual instruments or and units.

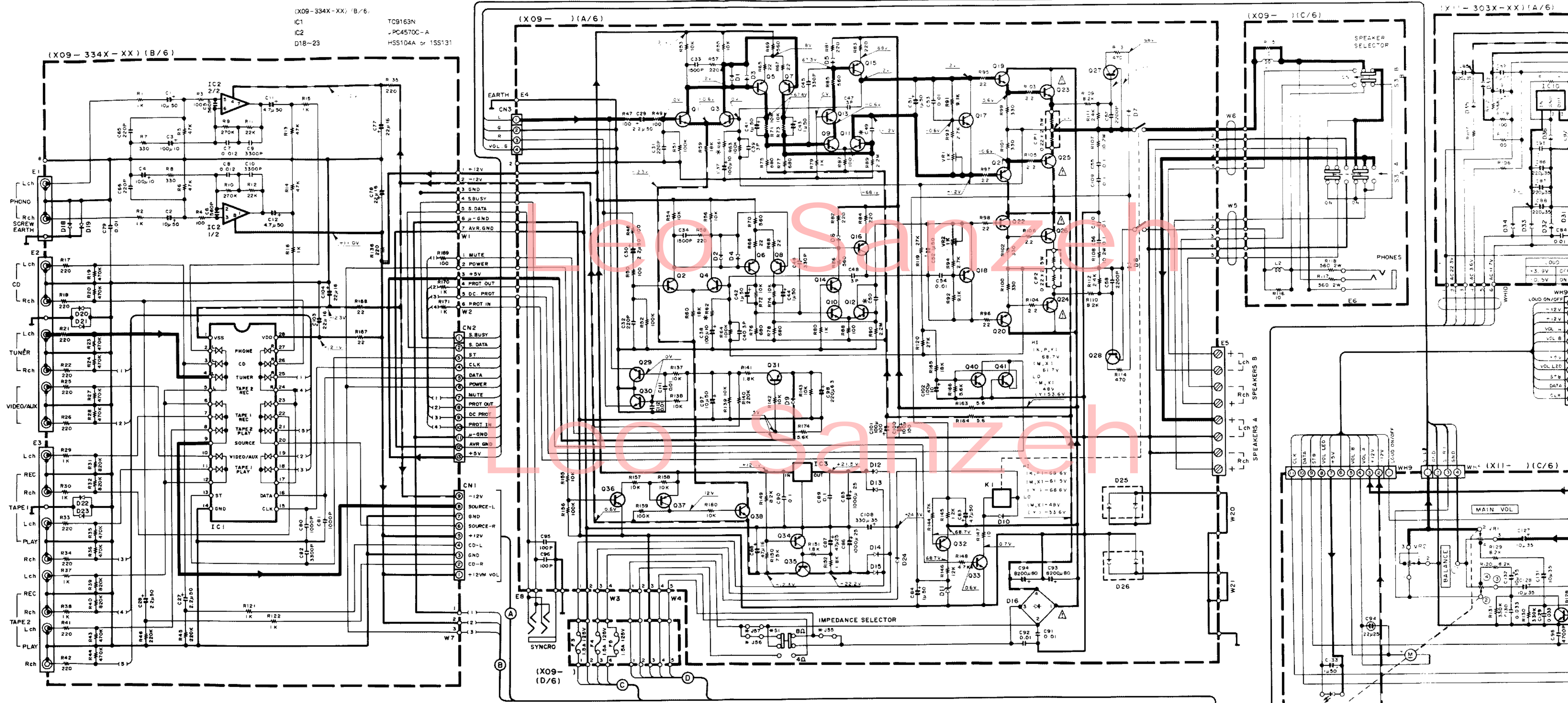
Les tensions c.c. doivent être mesurées avec un voltmètre à haute impédance sans signal d'entrée. Les valeurs peuvent différer légèrement du fait des variations inhérentes aux appareils et aux instruments de mesure individuels.

Die angegebenen Gleichspannungswerte wurden mit einem hochohmigen Spannungsmesser ohne Eingangssignal gemessen. Dabei schwanken die Meßwerte aufgrund von Unterschieden zwischen einzelnen Instrumenten oder Geräten u. U. geringfügig.

CAUTION: For continued safety, replace safety critical components only with manufacturer's recommended parts (refer to parts list). Δ Indicates safety critical components. To reduce the risk of electric shock, leakage-current or resistance measurements shall be carried out (exposed parts are acceptably insulated from the supply circuit) before the appliance is returned to the customer.

KA-691/791
KENWOOD

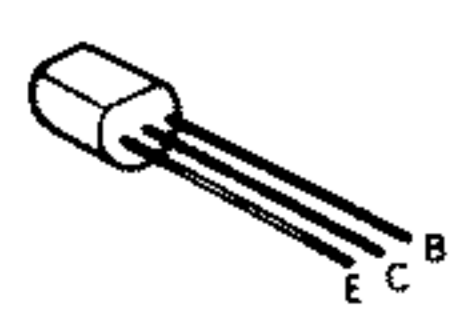
Y08-4350-11



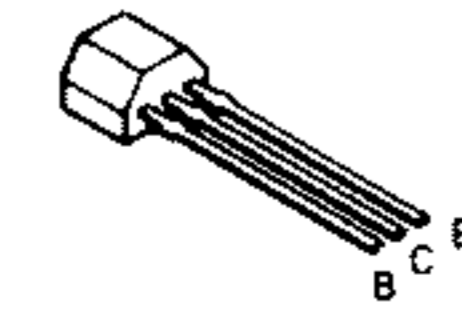
(X09-334X-XX) (B/6)
IC1 T09163N
IC2 UPC4570C-A
D18-23 HSS104A or 15S131

(X09-334X-XX) (A/6)
IC3 : PC7812HF or TA7812S
Q1-4 : 2SC1845(F, E)
Q5-8 : 2SA992(F, E)

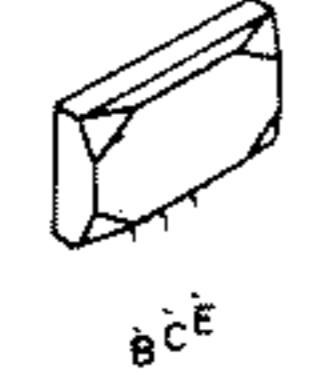
2SA1123
2SA1124
2SA992
2SC1845
2SC2003
2SC2631
2SC2632
2SC2878



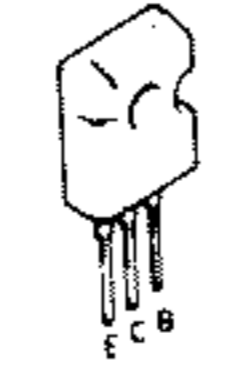
2SA1048
2SA933S
2SC1740S
2SC2458



2SA1215
2SC2921



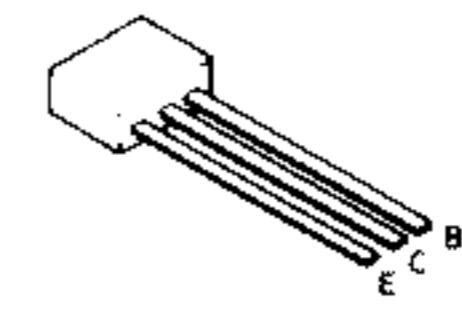
2SC4137



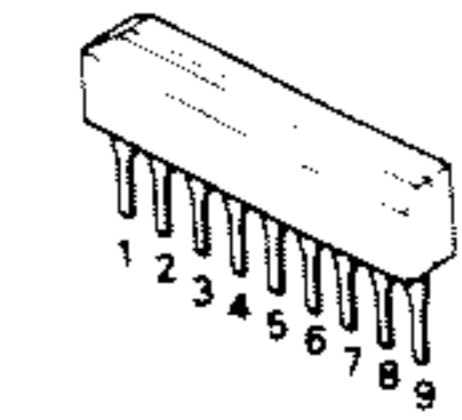
2SA1535
2SB941
2SC3944



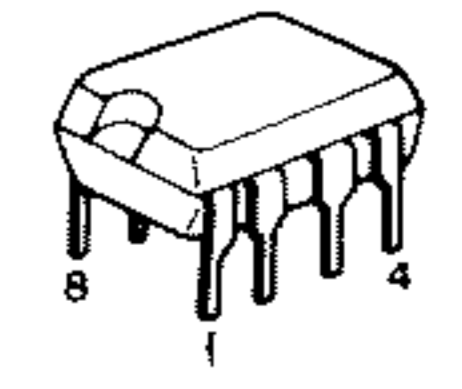
2SA1309A
2SC3311A



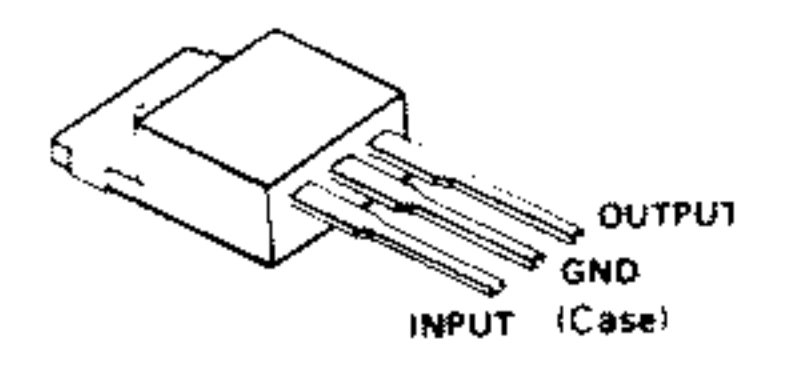
TA8409S



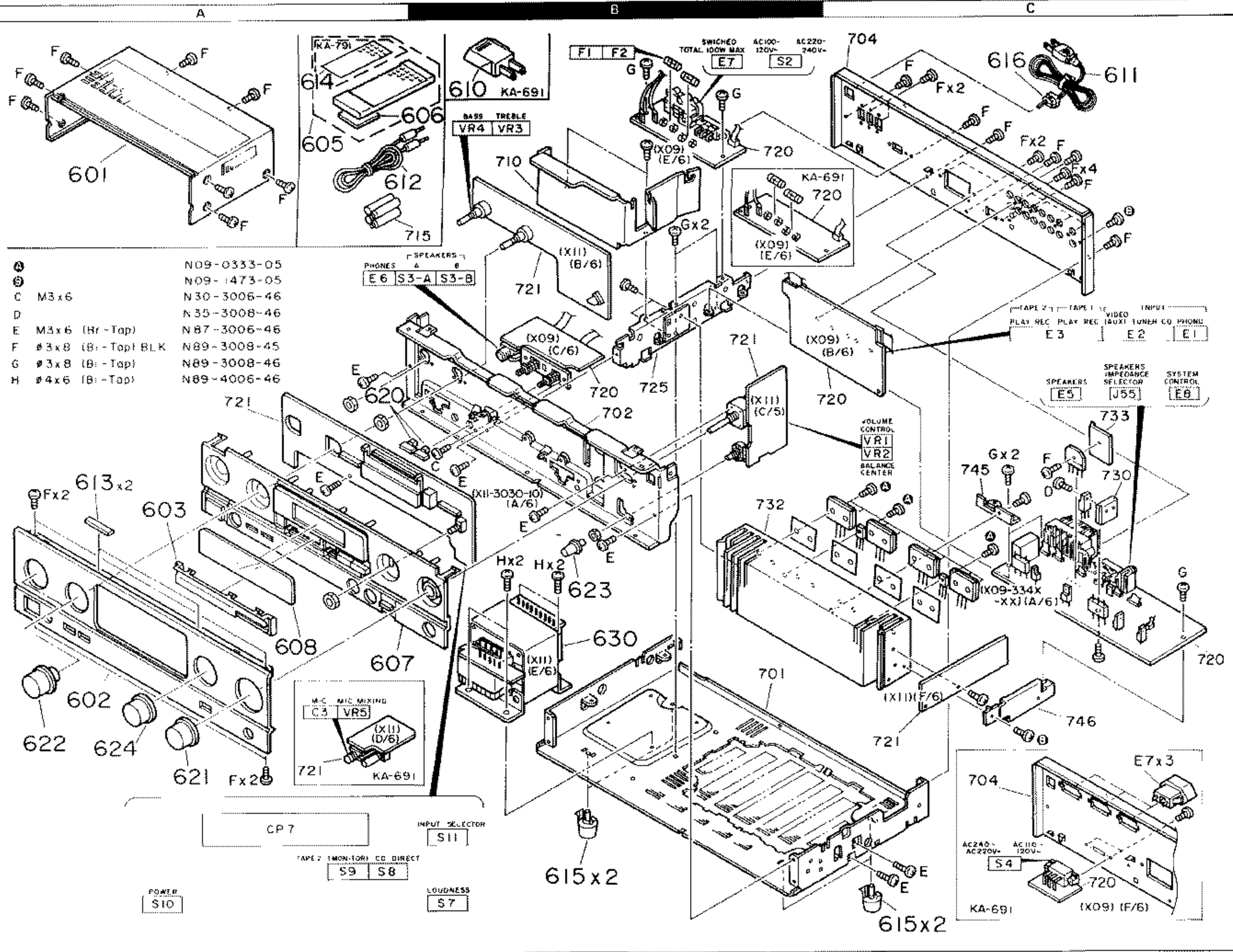
BA10393
UPC4570C-A



UPC7805HF
UPC7812HF



Parts with the exploded numbers larger than 700 are not supplied.



EXPLODED VIEW (MECHANISM)

KA-691/791

KA-691/791

Parts without Parts No. are not supplied.
Les articles sans numéro de pièce ne sont pas fournis.
Teile ohne Parts No. werden nicht geliefert.

No 1

Ref. No.	Address	Parts No.	Description	Desti- nation	Re- marks
参照番号	位置	部品番号	部品名 / 規格	仕	向備考
KA-691 (JAPAN MADE)					
601	1A	A01-1913-01	METALLIC CABINET		
602	2A	A60-0023-02	PANEL	KPYX	
603	2A	A60-0024-02	PANEL	M	
604	2A	A21-1788-03	BRESSING PANEL		
605	1A, 1B	A70-0513-05	REMOTE CONTROLLER ASSY		
606	1A	A09-0112-00	BATTERY COVER		
607	1A, 2A	B01-0481-01	PANEL ESCUTCHEON		
608	2A	B10-1856-03	FRONT GLASS		
-	-	B46-0092-03	WARRANTY CARD	K	
-	-	S46-0094-03	WARRANTY CARD	Y	
-	-	B46-0095-03	WARRANTY CARD	Y	
-	-	B46-0096-23	WARRANTY CARD	X	
-	-	B46-0121-03	WARRANTY CARD	P	
-	-	H58-0513-04	CAUTION CARD (PRESET220-240)	Y	
-	-	B60-0346-00	INSTRUCTION MANUAL (ENGLISH)		
-	-	B60-0534-00	INSTRUCTION MANUAL (FRENCH)		
-	-	B60-0535-00	INSTRUCTION MANUAL (SP, AR, CH)	M	
610	1B	E03-0115-05	AC PLUG ADAPTER	M	
611	1C	E30-0459-05	AC POWER CORD	M	
611	1C	E30-0812-05	AC POWER CORD	Y	
611	1C	E30-0974-05	AC POWER CORD	KP	
611	1C	E30-1341-05	AC POWER CORD	X	
612	1A	E30-1392-05	CORD WITH PLUG		
E7	1B	E03-0055-05	AC OUTLET	M	
E7	1B	E03-0114-05	AC OUTLET	X	
615	2A	G11-0155-14	SMPT TAPE (40X9X2)		
-	-	H00-0352-04	ITEM CARTON CASE		
-	-	H10-0093-02	POLYSTYRENE FOAMED FIXTURE		
-	-	H10-5394-02	POLYSTYRENE FOAMED FIXTURE		
-	-	H25-0223-04	PROTECTION BAG (750X350X0.03)		
-	-	H25-0232-04	PROTECTION BAG (235X350X0.03)		
616	2B, 2C	J02-1313-05	POST		
616	1C	J42-0083-05	POWER CORD BUSHING		
-	-	J61-0307-05	WIRE BAND		
620	1A, 1B	K27-2314-04	KNOB SPEAKERS		
621	2A	K29-4104-04	KNOB VOLUME		
622	2A	K29-4196-04	KNOB BASS, TREBLE		
623	2B	K29-3911-04	KNOB BALANCE		
624	2A	K29-4105-04	KNOB INPUT SELECTOR		
630	2B	L07-0054-05	POWER TRANSFORMER	K	
630	2B	L07-0055-05	POWER TRANSFORMER	Y	
630	2B	L07-0056-05	POWER TRANSFORMER	P	
630	2B	L07-0057-05	POWER TRANSFORMER	M	
640	2H	L07-0058-05	POWER TRANSFORMER	X	
B	1C	N89-3008-41	TAPPING SCREW (M3X8)		
C	1B	N30-3006-46	PAN HEAD MACHIN SCREW		
E	1A, 2B	N87-3006-46	BRAZIER HEAD TAPTITE SCREW		
F	1A, 1B	N89-3008-45	BINDING HEAD TAPTITE SCREW		
G	1B, 2C	N89-3008-46	BINDING HEAD TAPTITE SCREW		
H	2B	N89-4006-46	BINDING HEAD TAPTITE SCREW		

E Scandinavia & Europe K USA P Canada
Y PX (Far East, Hawaii) 1 England M Other Areas
Y AAFES (Europe) X Australia

⚠ indicates safety critical components.

Destination list

	JAPAN MADE	SINGAPORE MADE	MALAYSIA MADE
KA-691	K, P, Y, M, X	K	K
KA-791	K, P, Y	K	K

Audio unit

X09-3340-10	KA-691K(J), P, KA-791K(J), P
X09-3340-11	KA-691K(S,M), KA-791K(S,M)
X09-3340-21	KA-691M
X09-3340-71	KA-691X
X09-3342-91	KA-691Y, KA-791(Y)

(J): JAPAN MADE, (S): SINGAPORE MADE, (M): MALYSIA MADE

Control unit

X11-3030-10	KA-691K(J), P, Y, X, KA-791K(J), P, Y
X11-3030-11	KA-691R(S, M), KA-791K(S, M)
X11-3030-21	KA-691M

PARTS LIST

Parts without Parts No. are not supplied. Les articles non mentionnés dans le Parts No. ne sont pas fournis. Teile ohne Parts No. werden nicht geliefert.

No 2

Table with columns: Ref. No., Address, New Parts, Parts No., Description, Destination, Remarks. Includes sub-sections for KA-691 (SINGAPORE MADE), KA-691 (MALAYSIA MADE), and KA-791 (JAPAN MADE).

E. Scandinavia & Europe K. USA P. Canada Y. PX (Far East, Hawaii) T. England M. Other Areas Y. AAFES (Europe) X. Australia indicates safety critical components.

Parts without Parts No. are not supplied. Les articles non mentionnés dans le Parts No. ne sont pas fournis. Teile ohne Parts No. werden nicht geliefert.

No 3

Table with columns: Ref. No., Address, New Parts, Parts No., Description, Destination, Remarks. Includes sub-sections for KA-691 (SINGAPORE MADE), KA-691 (MALAYSIA MADE), and KA-791 (JAPAN MADE).

E. Scandinavia & Europe K. USA P. Canada Y. PX (Far East, Hawaii) T. England M. Other Areas Y. AAFES (Europe) X. Australia indicates safety critical components.

PARTS LIST

KA-691/791

KA-691/791

PARTS LIST

Parts without Parts No. are not supplied. Les articles non mentionnés dans le Parts No. ne sont pas fournis. Teile ohne Parts No. werden nicht geliefert.

No 4

Table with columns: Ref. No., Address, New Parts, Parts No., Description, Destination, Remarks. Includes sub-sections for KA-791 (SINGAPORE MADE), KA-791 (MALAYSIA MADE), and AUDIO UNIT (X09-334X-XX).

E. Scandinavia & Europe K. USA P. Canada Y. PX (Far East, Hawaii) T. England M. Other Areas Y. AAFES (Europe) X. Australia indicates safety critical components.

Parts without Parts No. are not supplied. Les articles non mentionnés dans le Parts No. ne sont pas fournis. Teile ohne Parts No. werden nicht geliefert.

No 5

Table with columns: Ref. No., Address, New Parts, Parts No., Description, Destination, Remarks. Includes sub-sections for KA-791 (SINGAPORE MADE), KA-791 (MALAYSIA MADE), and AUDIO UNIT (X09-334X-XX).

E. Scandinavia & Europe K. USA P. Canada Y. PX (Far East, Hawaii) T. England M. Other Areas Y. AAFES (Europe) X. Australia indicates safety critical components.

PARTS LIST

KA-691/791

SPECIFICATIONS

Rated Power Output

120 watts per channel minimum RMS, both channels driven, at 8 Ω from 20 Hz to 20,000 Hz with no more than 0.03% total harmonic distortion. (FTC)

Total Harmonic Distortion LINE input to SPEAKER output

20 Hz to 20,000 Hz 0.03% at rated power into 8 Ω
 Frequency Response 10 Hz to 50 KHz, +0 dB, -3 dB

Input Sensitivity/Impedance

Phono 2.5 mV/47 KΩ
 Tuner/Tape/CD/VIDEO 200 mV/47 KΩ

Signal-to-noise Ratio (HF-A)

Phono 75 dB for 2.5 mV input
 Tuner/Tape/CD/VIDEO 100 dB
 Phono Maximum Input Level 80 mV, T.H.D. 0.5% at 1 KHz

Output Level/Impedance

Tape REC (Pin) 200 mV/3.3 KΩ
 RIAA standard curve ±0.5 dB (20 Hz to 20,000 Hz)

Phono Frequency Response

Tone control
 Bass ±10 dB (at 100 Hz)
 Treble ±10 dB (at 10 KHz)

Loudness Control

..... +8 dB at 100 Hz (at -30 dB VOLUME Level)

General

Power Consumption 2.8 A (U.S.A. & Canada models)

AC outlets

SWITCHED For U.S.A. and Canada: 3; (Total 100 W, 0.8 A max.)

Dimensions

W: 440 mm (17-5/8")
 H: 133 mm (5-1/4")
 D: 281 mm (11-1/16")
 Weight (Net) 9.1 kg (20.1 lb)

Note: KENWOOD follows a policy of continuous advancements in development. For this reason specifications may be changed without notice

Note:

Component and circuitry are subject to modification to insure best operation under differing local conditions. This manual is based on the U.S.A. (K) standard, and provides information on regional circuit modification through use of alternate schematic diagrams, and information on regional component variations through use of parts list.

KENWOOD CORPORATION

Storage Division Building, 755 Zimpey Street, Stoughton, MA 01961

KENWOOD U.S.A. CORPORATION
 2700 Lake Center Drive, Suite 1078, Bloomington, IL 61710

KENWOOD ELECTRONICS CANADA INC.
 400 St. John Street, Toronto, Ontario, Canada M5T 1A7

KENWOOD ELECTRONICS BENELUX NV
 Kenwood House, Dagh Road, Warfhuizen, 1801 SB, Bunnik, The Netherlands

KENWOOD ELECTRONICS DEUTSCHLAND GMBH
 Kenwood-Werk, 8-9300, Kempten, BRD

KENWOOD ELECTRONICS FRANCE SA
 Kenwood, 11, rue de la République, 92100, Nanterre, France

KENWOOD LINEAR S.P.A.
 20122, Via S. Felice, 1, Sesto San Giovanni, Italy

KENWOOD ELECTRONICS AUSTRALIA PTY LTD.
 P.O. Box 524, 8 Lighter Drive, Australia Centre, Fremantle, NSW 2140, Australia

KENWOOD & LEE ELECTRONICS LTD.
 2700 Lake Center Drive, Suite 1078, Bloomington, IL 61710

Parts without Parts No. are not supplied.
 Les articles non mentionnés dans le Parts No. ne sont pas fournis.
 Teile ohne Parts No. werden nicht geliefert.

No 6

Ref. No.	Address	Parts No.	Description	Destination	Remarks
参照番号	位置	部品番号	部品名 / 規格	仕向	備考
C65, .66		CC45FSL1H221J	CERAMIC 220PF J		
C77, .78		CE04KW1C220M	ELECTRØ 220UF 16WV	J	
C79		CE04LW1C220M	ELECTRØ 220UF 16WV	S	
C80		C91-0769-05	CERAMIC 0.01UF K		
C80		CK45FB1H102K	CERAMIC 1000PF K		
C82		CK45FB1H332K	CERAMIC 3300PF K		
C83		CE04KW1H4R7M	ELECTRØ 4.7UF 50WV	J	
C83		CE04LW1H4R7M	ELECTRØ 4.7UF 50WV	S	
C84		CE04KW1H010M	ELECTRØ 1.0UF 50WV	J	
C84		CE04LW1H010M	ELECTRØ 1.0UF 50WV	S	
C85, .86		CE04KW1E102M	ELECTRØ 1000UF 25WV	J	
C85, .86		CE04LW1E102M	ELECTRØ 1000UF 25WV	S	
C87		CE04KW1E470M	ELECTRØ 47UF 25WV	J	
C87		CE04LW1E470M	ELECTRØ 47UF 25WV	S	
C88		CE04KW1C470M	ELECTRØ 47UF 16WV	J	
C89, .90		CF92FV1H104J	MF 0.10UF J	J	
C91, .92		CK45FB2H103P	CERAMIC 0.010UF P		
C93, .94		C90-1645-05	ELECTRØ 8200UF 80WV	J	
C93, .94		C90-1848-05	ELECTRØ 8200UF 80WV	S	
C95, .96		CC45FSL1H101J	CERAMIC 100PF J		
C97		CE04KW1H100M	ELECTRØ 10UF 50WV	J	
C97		CE04LW1H100M	ELECTRØ 10UF 50WV	S	
C98		CE04KW1J221M	ELECTRØ 220UF 6.3WV	J	
C98		CE04LW1J221M	ELECTRØ 220UF 6.3WV	S	
C99		C91-3647-05	CERAMIC 0.01UF P	J	
C100, .101		CE04KW2A101M	ELECTRØ 100UF 100WV	J	
C100, .101		CE04LW2A101M	ELECTRØ 100UF 100WV	S	
C102		CE04KW1A101M	ELECTRØ 100UF 10WV	J	
C102		CE04LW1A101M	ELECTRØ 100UF 10WV	S	
C103, .104		CE04KW1C220M	ELECTRØ 220UF 16WV	J	
C103, .104		CE04LW1C220M	ELECTRØ 220UF 16WV	S	
C108		CE04KW1V331M	ELECTRØ 330UF 35WV	J	
C108		CE04LW1V331M	ELECTRØ 330UF 35WV	S	
C109, .110		CF92FV1H104J	MF 0.10UF J	J	
C111, .112		C91-0769-05	CERAMIC 0.01UF K		
E1		E13-0259-05	PHONE JACK PHONE		
E2		E13-0637-05	PHONE JACK CB, TUNER, VIDEO/AUX		
E3		E13-0826-05	PHONE JACK TAPE 1, 2		
E5		E20-0823-05	LOCK TERMINAL BOARD SPEAKERS		
E6		E11-0162-05	PHONE JACK HEAD PHONE		
E7		E03-0093-05	AC OUTLET	KPY	
E8		E11-0188-05	MINIATURE PHONE JACK(SYS/CON)		
F1		F05-3121-05	FUSE (SEMKØ) (250V T3.15A)	X	
F1		F05-6029-05	FUSE (UL)	KP	
F1		F05-6321-05	FUSE (SEMKØ) (250V T6.3A)	M	
F1		F05-6324-05	FUSE (250V 6.3A)	Y	
F2		F05-3121-05	FUSE (SEMKØ) (250V T3.15A)	M	
F2		F05-3123-05	FUSE (250V 3.15A)	Y	
F3		F53-0005-05	FUSE		
CNS-8		J13-0075-05	FUSE CLIP	YM	
CNS-6		J13-0075-05	FUSE CLIP	KPX	

E Scandinavia & Europe K USA F Canada J Japan made
 Y PX (Far East, Hawaii) T England M Other Areas S Singapore made
 Y AAFES (Europe) X Australia (Malaysia model)
 indicates safety critical components

Parts without Parts No. are not supplied.
 Les articles non mentionnés dans le Parts No. ne sont pas fournis.
 Teile ohne Parts No. werden nicht geliefert.

No 7

Ref. No.	Address	Parts No.	Description	Destination	Remarks
参照番号	位置	部品番号	部品名 / 規格	仕向	備考
L1, .2		L39-0085-05	PHASE-COMPENSATION COIL		
A	2C	N09-0333-05	TAPPING SCREW (3X12)		
B	2C	N35-3008-46	BINDING HEAD MACHIN SCREW		
F	1C	N89-3008-45	BINDING HEAD TAPITTE SCREW		
G	1B, 2C	N89-3008-46	BINDING HEAD TAPITTE SCREW		
CP1, .2		R90-0167-05	MULTI-COMP 0.22X2 K 5W		
R81		RD14GB2E221J	FL-PROOF RD 220 J 1/4W		
R82		RD14NB2E221J	RD 220 J 1/4W		
R83		RD14GB2E221J	FL-PROOF RD 220 J 1/4W		
R84		RD14NB2E221J	RD 220 J 1/4W		
R87		RD14NB2E101J	RD 100 J 1/4W		
R88		RD14GB2E101J	FL-PROOF RD 100 J 1/4W		
R95 -98		RD14NB2E220J	RD 220 J 1/4W		
R99 -101		RD14AB2E331J	FL-PROOF RD 330 J 1/4W		
R99 -102		RD14GB2E331J	FL-PROOF RD 330 J 1/4W		
R102		RD14GB2E331J	FL-PROOF RD 330 J 1/4W		
R103		RD14AB2E2R2J	FL-PROOF RD 2.2 J 1/4W		
R104, 105		RD14GB2E2R2J	FL-PROOF RD 2.2 J 1/4W		
R106		RD14GB2E2R2J	FL-PROOF RD 2.2 J 1/4W		
R107, 108		RS14DB3D100J	FL-PROOF RS 10 J 2W		
R107, 108		RS14KB3D100J	FL-PROOF RS 10 J 2W		
R115, 116		RD14NB2E100J	RD 10 J 1/4W		
R117, 118		RS14DB3D561J	FL-PROOF RS 560 J 2W		
R117, 118		RS14KB3D561J	FL-PROOF RS 560 J 2W		
R147		RD14NB2E100J	RD 10 J 1/4W		
R163, 164		RD14AB2E5R6J	FL-PROOF RD 5.6 J 1/4W		
R163, 164		RD14GB2E5R6J	FL-PROOF RD 5.6 J 1/4W		
R167, 168		RD14NB2E220J	RD 220 J 1/4W		
VR1, .2		R12-1083-05	TRIM POT. 1K		
K1		S51-2092-05	MAGNETIC RELAY		
K2		S51-1052-05	MAGNETIC RELAY		
S1		S31-2136-05	SLIDE SWITCH IMPEDANCE SELECT	YM	
S2		S31-2131-05	SLIDE SWITCH VOLTAGE SELECT	Y	
S3		S42-2163-05	MULTIPLE PUSH SWITCH SPEAKERS		
S4		S31-2322-05	SLIDE SWITCH VOLTAGE SELECT	M	
D1 -10		HSS104A	DIODE		
D1 -10		ISS131	DIODE		
D11		HZ54.7N(B)	ZENER DIODE		
D11		RD4.7E5(B)	ZENER DIODE		
D12 -15		S5688B	DIODE		
D12 -15		ISR139-100	DIODE		
D14		D55BA20F03	DIODE		
D16		RBV-602LFA	DIODE		
D17 -23		HSS104A	DIODE		
D17 -23		ISS131	DIODE		
D24		S5688B	DIODE		
D24		ISR139-100	DIODE		
D25, .26		MA177	DIODE		
IC1		TC9163N	IC(BILATERAL SWITCH X16)		
IC2		UPC4570C-A	IC		
IC3		TA7812S	IC(REGULATOR)GULATØR/ +12V		
IC3		UPC7812HF	IC(VOLTAGE REGULATOR/ +12V)		

E Scandinavia & Europe K USA F Canada J Japan made
 Y PX (Far East, Hawaii) T England M Other Areas S Singapore made
 Y AAFES (Europe) X Australia (Malaysia model)
 indicates safety critical components

PARTS LIST

Parts without Parts No. are not supplied.
Les articles non mentionnés dans le Parts No. ne sont pas fournis.
Teile ohne Parts No. werden nicht geliefert.

No 8

Table with columns: Ref. No., Address, New Parts, Parts No., Description, Destination, Remarks. Includes various transistor and electronic component listings.

CONTROL UNIT (X11-303X-XX)

E Scandinavia & Europe K USA P Canada
Y PX (Far East, Hawaii) I England M Other Areas
Y AAFES (Europe) X Australia

J Japan made
S Singapore made (Malaysia made)
A indicates safety critical components

Parts without Parts No. are not supplied.
Les articles non mentionnés dans le Parts No. ne sont pas fournis.
Teile ohne Parts No. werden nicht geliefert.

No 9

Table with columns: Ref. No., Address, New Parts, Parts No., Description, Destination, Remarks. Includes various electronic components like capacitors, resistors, and transistors.

E Scandinavia & Europe K USA P Canada
Y PX (Far East, Hawaii) I England M Other Areas
Y AAFES (Europe) X Australia

J Japan made
S Singapore made (Malaysia made)
A indicates safety critical components

Parts without Parts No. are not supplied.
Les articles non mentionnés dans le Parts No. ne sont pas fournis.
Teile ohne Parts No. werden nicht geliefert.

No 10

Table with columns: Ref. No., Address, New Parts, Parts No., Description, Destination, Remarks. Includes speed detector function components and various ICs.

E Scandinavia & Europe K USA P Canada
Y PX (Far East, Hawaii) I England M Other Areas
Y AAFES (Europe) X Australia

J Japan made
S Singapore made (Malaysia made)
A indicates safety critical components

PARTS LIST

PARTS LIST