

SPECIFICATIONS

- POWER AMPLIFIER SECTION**
80 watts per channel minimum, RMS at 8 ohms from 20 Hz to 20,000 Hz with no more than 0.1% total harmonic distortion.
- Both Channel Driven**
- 85 + 85 watts 8 ohms at 1,000 Hz
 - 100 + 100 watts 4 ohms at 1,000 Hz
 - 380 watts (4 ohms)
- Dynamic Power Output**
0.05% at 1 watt power into 8 ohms
- Total Harmonic Distortion**
0.1% at rated power into 8 ohms
- Intermodulation Distortion**
(60 Hz, 7 kHz, 4:1)
0.04% at 1 watt output into 8 ohms
- Power Bandwidth**
5 Hz to 40,000 Hz
- Signal to Noise Ratio (IHF A)**
100 dB (short circuited)
- Damping Factor**
50 at 8 ohms
- Input Sensitivity / Impedance**
1.0V / 50 k ohms
- Speaker Impedance**
Accept 4 ohms to 16 ohms

PREAMPLIFIER SECTION

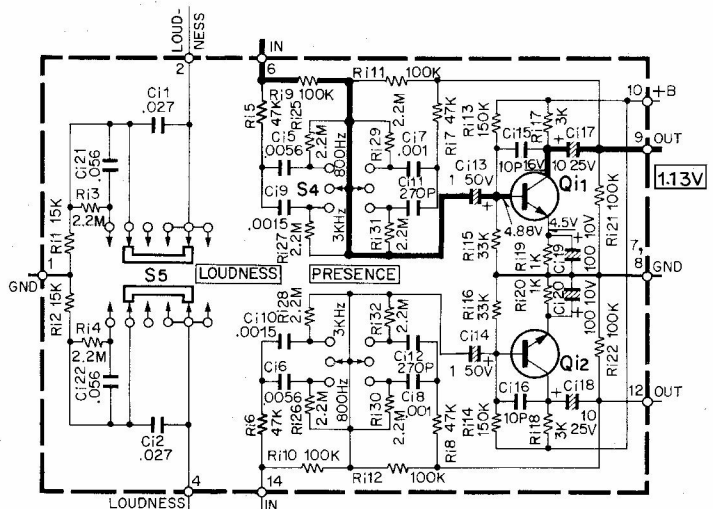
- Input Sensitivity / Impedance / Signal to Noise Ratio (IHF A)**
- | | |
|---------|-----------------------------------|
| Phono 1 | 25 mV / 50 k ohms / 72 dB (5 mV) |
| Phono 2 | 2.5 mV / 50 k ohms / 72 dB (5 mV) |
| Tuner | 150 mV / 20 k ohms / 90 dB |
| AUX | 150 mV / 50 k ohms / 90 dB |
| Tape | 150 mV / 50 k ohms / 90 dB |
- Maximum Input Level**
Phono 200 mV level THD: 0.1% at 1,000 Hz
- Output Level / Impedance**
Tape REC (Pin) 150 mV
30 mV / 50 k ohms
- Frequency Response**
- | | |
|------------|-----------------------------|
| Phono | RIAA standard curve ±0.3 dB |
| AUX & Tape | 20 Hz to 40,000 Hz ±0.5 dB |
- Tone Control**
- | | | |
|--------|--------|----------------------|
| Bass | 150 Hz | +3.0 dB at 100 Hz |
| | 400 Hz | +7.5 dB at 100 Hz |
| Treble | 3 kHz | +1.5 dB at 10,000 Hz |
| | 6 kHz | +5.0 dB at 10,000 Hz |
- Loudness Control (-30 dB)**
- | | |
|---|-----------------------|
| 1 | +7.5 dB at 100 Hz |
| | +3.5 dB at 100 Hz |
| 2 | 40 Hz, 12 dB / oct |
| | 8,000 Hz, 12 dB / oct |
- Low Filter**
3 kHz
- High Filter**
40 dB
- Presence**
3 kHz

GENERAL

- Power Requirement**
AC 50/60 Hz, 110 - 120V, 220 - 240V
- Power Consumption**
550 watts at full power
- AC Outlet**
Switched 2 - Unswitched 1
- Dimension**
W: 16.15" (410 mm), H: 5.78" (149 mm), D: 4.31" (109 mm)
- Weight**
55.2 lbs. (25 kg)

NOTE:

The PC board of Presence unit (X11-1330-10), which is employed with KA-8300 is changed to the following. KA-8300 had carried out changes from Serial No. 340,101. KA-9800 had done out changes from Serial No. 340,001.



Q1, 2: 2SC1345 (E) or (F)

