

### SPECIFICATIONS

#### POWER AMPLIFIER SECTION

- 80 watts per channel minimum, RMS at 8 ohms from 20 Hz to 20,000 Hz with no more than 0.1% total harmonic distortion.
- Both Channel Driven
- 85 + 85 watts 8 ohms at 1,000 Hz
  - 100 + 100 watts 4 ohms at 1,000 Hz
  - 380 watts (4 ohms)
- Dynamic Power Output
- Total Harmonic Distortion
- 0.1% at rated power and 8 ohms
  - 0.05% at 1 watt, power in 6 ohms at 20 Hz - 20,000 Hz
  - 0.1% at rated power and 8 ohms
- Intermodulation Distortion
- (60 Hz - 7 kHz 4:1)
- 0.04% at 1 watt, output into 8 ohms
- Power Bandwidth
- Signal to Noise Ratio (HF A)
- Damping Factor
- Input Sensitivity / Impedance
- Speaker Impedance
- Accept 4 ohms to 16 ohms

#### PREAMPLIFIER SECTION

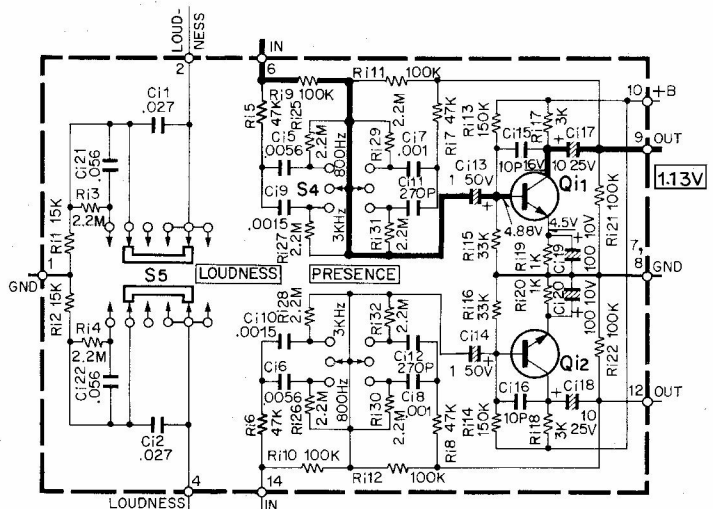
- Input Sensitivity / Impedance / Signal to Noise Ratio (HF A)
- |         |                                  |
|---------|----------------------------------|
| Phono 1 | 25 mV / 50 kohms / 72 dB (5 mV)  |
| Phono 2 | 2.5 mV / 50 kohms / 72 dB (5 mV) |
| Tuner   | 150 mV / 20 kohms / 90 dB        |
| AUX     | 150 mV / 50 kohms / 90 dB        |
| Tape    | 150 mV / 50 kohms / 90 dB        |
- Maximum Input Level
- Phono
- Output Level / Impedance
- Tape REC (Pin)
- Frequency Response
- Phono
- AUX & Tape
- Tone Control
- Bass
- Treble
- Loudness Control (-30 dB)
- Low Filter
- High Filter
- Presence

#### GENERAL

- Power Requirement
- Power Consumption
- AC Outlet
- Dimension
- Weight

NOTE:

The PC board of Presence unit (X11-1330-10), which is employed with KA-8300 is changed to the following. KA-8300 had carried out changes from Serial No. 340,101. KA-9800 had done out changes from Serial No. 340,001.



Q1, 2: 2SC1345 (E) or (F)

