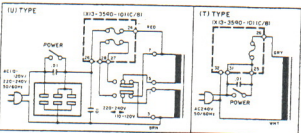
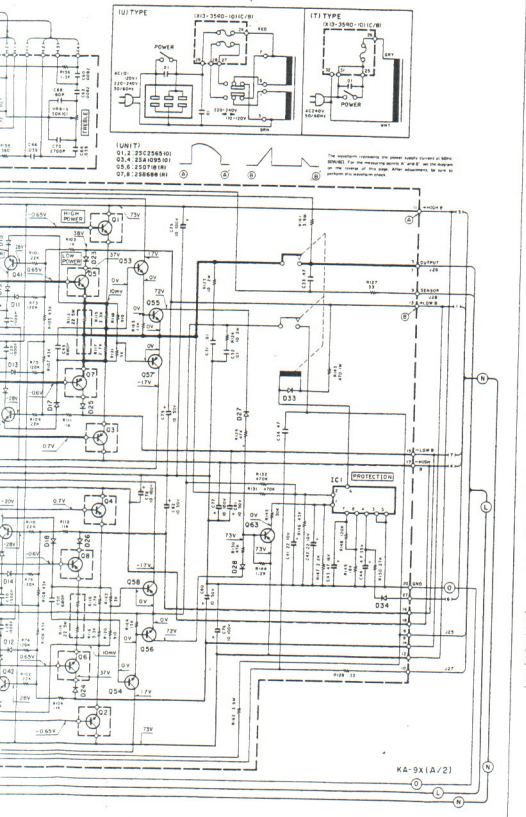




# RATED AMPLIFIER

# KA-9X/9XG

E F G H



- (U) TYPE  
 01.2 25C2545 (U)  
 02.4 25A0595 (U)  
 05.6 250718 (U)  
 07.8 258686 (U)

The manufacturer represents the power supply circuit as shown. (U) TYPE: For the measuring device in order to use the meter on the output of this stage, after adjustment, be sure to connect the detector input.

## SPECIFICATIONS

Power output  
 120 watts per channel minimum RMS, both channels driven, at 8 ohms from 20 Hz to 20,000 Hz with no more than 0.008% total harmonic distortion.

Both Channels Driven into 8 ohms at 1 kHz ..... 130 watts  
 Both Channels Driven into 8 ohms at 1 kHz ..... 170 watts  
 Driven Power Output into 8 ohms ..... 600 watts  
 Total Harmonic Distortion  
 120 Hz to 20,000 Hz  
 AUX Input to SPEAKER output ..... 0.008% at rated power into 8 ohms  
 0.008% at 1/2 rated power into 8 ohms  
 0.008% at 1/4 rated power into 8 ohms

Intermodulation Distortion  
 (80 Hz, 7 kHz  $\pm$  1) ..... 1.000% at 100 Hz  
 Chirping Factor ..... 1.000% at 100 Hz  
 Transient Response  
 Rise Time ..... 1.5  $\mu$ s  
 Slew Rate .....  $\pm$  100 V/ $\mu$ s  
 Frequency Response ..... DC to 200 kHz  $\pm$  3 dB  
 Speaker Impedance ..... Adjustable 4 ohms to 16 ohms

Input Sensitivity/Impedance  
 Mono (MM) ..... 25 mV/167 ohms  
 Mono (MC) ..... 0.2 mV/100 ohms  
 Tuner, AUX, Type A, B ..... 150 mV/47 ohms  
 Signal-to-Noise Ratio (SNR, A) ..... 87 dB for 2.5 mV input  
 93 dB for 5.0 mV input  
 99 dB for 10 mV input  
 78 dB for 0.25 mV input  
 78 dB for 0.5 mV input  
 Mono (MC) ..... 107 dB for 150 mV input  
 Tuner, AUX, Type A, B  
 Mono (MM) ..... 250 mV (RMS), T.H.D. 0.008% at 1,000 Hz  
 Mono (MC) ..... 20 mV (RMS), T.H.D. 0.008% at 1,000 Hz

Output Level/Impedance  
 Mono (MM) ..... 190 mV/330 ohms  
 Mono (MC) ..... 30 mV/80 ohms

Phase Frequency Response  
 IEC standard curve  $\pm$  0.3 dB  
 120 Hz to 20,000 Hz

Tone Control  
 Bass Turnover Freq. 200 Hz .....  $\pm$  10 dB at 50 Hz  
 .....  $\pm$  50 Hz at 100 Hz  
 .....  $\pm$  10 dB at 10 kHz  
 Treble Turnover Freq. 3 kHz .....  $\pm$  10 dB at 20 kHz  
 .....  $\pm$  10 dB at 100 kHz

Load/Short Circuit  
 Load/Short ..... 30 dB VOL/RES Level  
 Safety Filter ..... 18 Hz, 6 dB/oct

GENERAL  
 Power Requirements  
 80 W, 120 V U.S.A. & Canada Mode  
 Model also fits where monophase supplies to accommodate 50/60 Hz, 110-120 V/220-240 V  
 700 W (RMS) power at 8 ohms  
 Power Consumption ..... Switched 2, Unswitched 1  
 A.C. Outlets ..... W 440 mm, H 117.5 (18")  
 Dimensions ..... W 103 mm, H 118.4 (18")  
 H 340 mm, D 113-25/84"  
 Net Weight ..... 10.2 kg (22.4 lb)

\* Measured pursuant to Federal Trade Commission's Free Reproduction Rule on Power Output Claims for Amplifier in U.S.A.

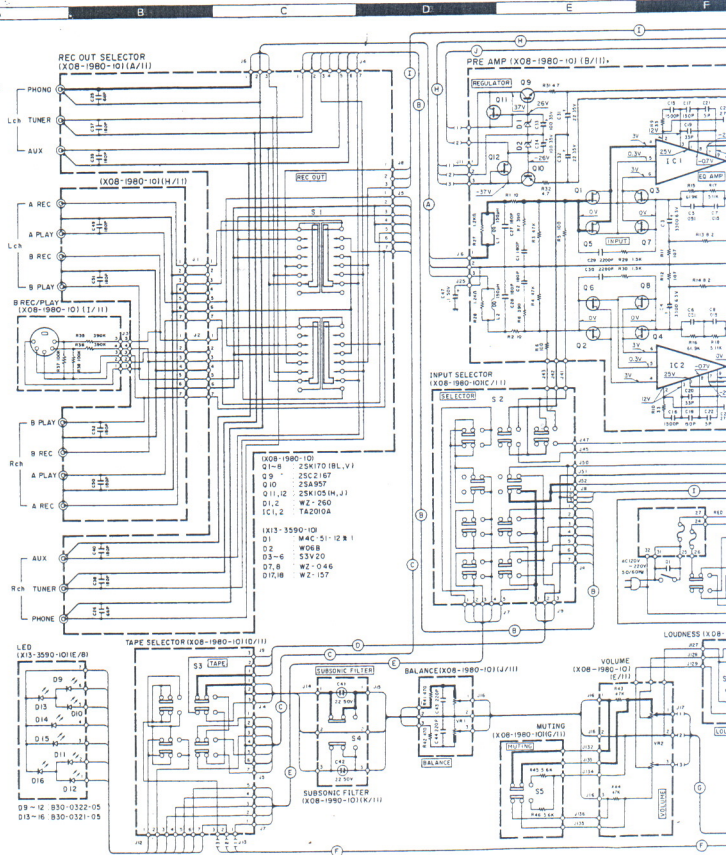
Kenwood follows a policy of continuous advancement in development. For this reason specifications may be changed without notice.

Kenwood poursuit une politique de progrès constants en ce qui concerne le développement. Pour cette raison, les spécifications sont sujettes à modifications sans avis préalable.

Kenwood strebt ständige Verbesserungen in der Entwicklung an. Daher bleiben Änderungen der technischen Daten jederzeit vorbehalten.

2010A  $\mu$ PA74V

- DC voltages are measured by a VOM of 20k $\Omega$ /V input impedance.
- Les tensions de courant continu sont mesurées par un multimètre d'une impédance d'entrée de 20k $\Omega$ /V.
- Die Gleichstrom-Spannungen werden durch ein Voltmetergerät von 20k $\Omega$ /V Eingangs-Impedanz gemessen.



2SA954 2SC1845  
2SA988 2SC2003  
2SA999 2SC2320  
2SA1123 2SC2631  
2SA1124 2SC2632  
2SC1841



2SA957  
2SA1111  
2SC2167  
2SC2591



2SA1095  
2SC2565



2SB688  
2SD718



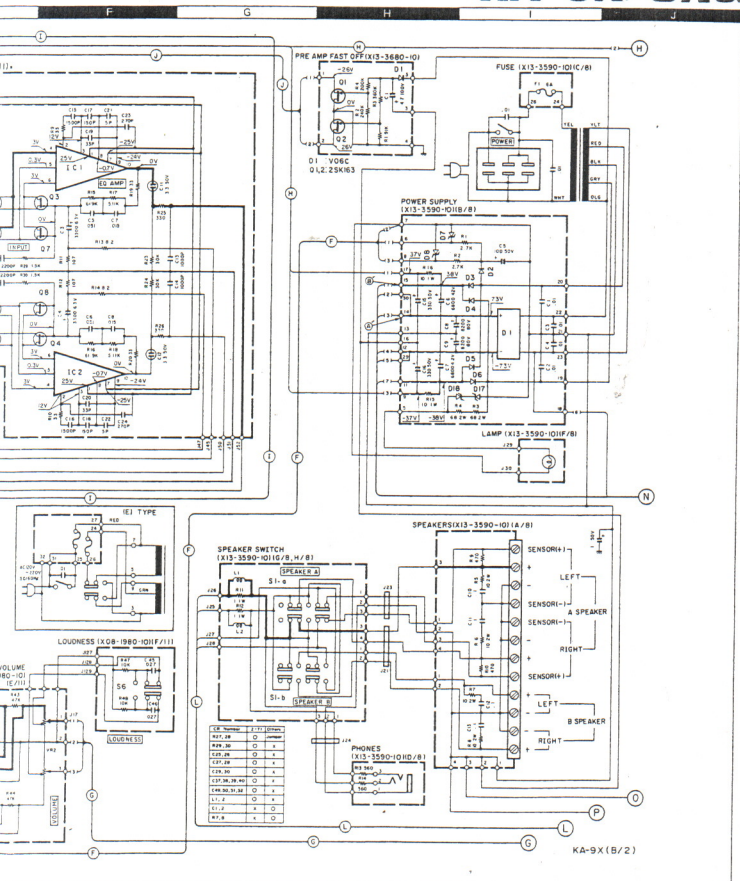
2SK105  
2SK163  
2SK170



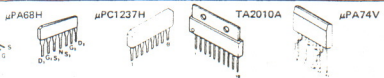
μPA68H



μPC1



KA-9X (B/2)



- DC voltages are measured by a VOM of 20k Ω/V input impedance.
- Les tensions de courant continu sont mesurées par un multimètre d'une impédance d'entrée de 20k Ω/V.
- Die Gleichstrom-Spannungen werden durch ein Vielfachmeßgerät von 20k Ω/V Eingangs-Impedanz gemessen.