

# KAF-1010/3010R

## SERVICE MANUAL

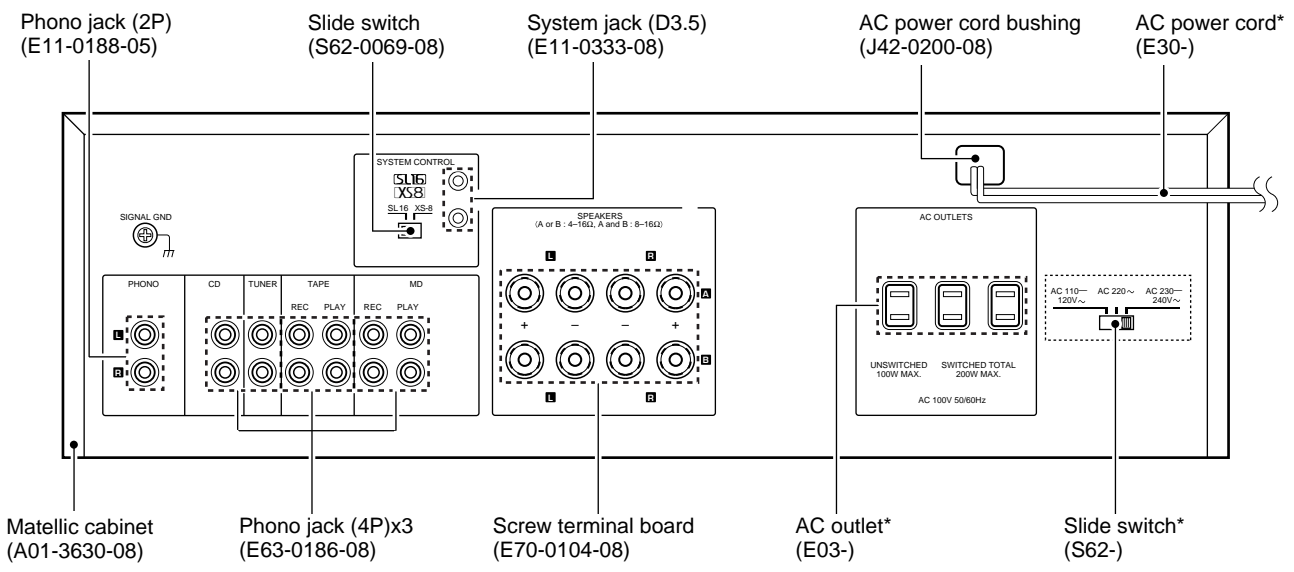
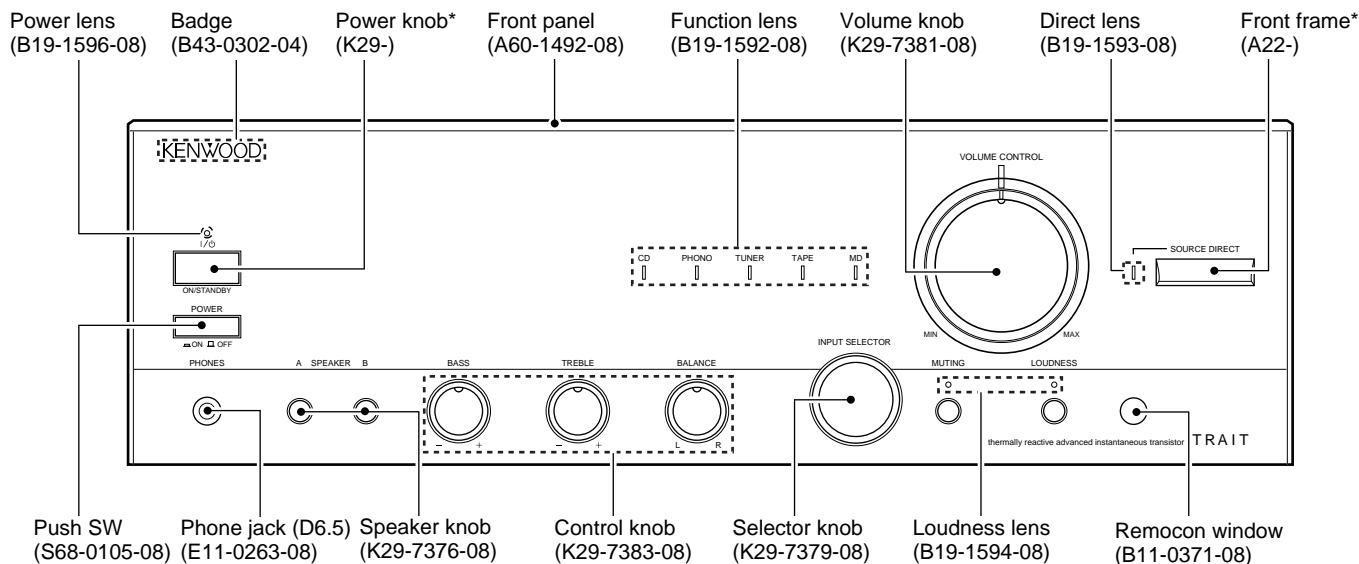


Illustration is KAF-3010R.  
\* Refer to parts list on page 18.

**Caution :** No connection of ground line if disassemble the unit.  
Please connect the ground line on rear panel, PCBs, Chassis and some others.



# KAF-1010/3010R

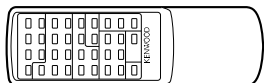
## CONTENTS / ACCESSORIES

### Contents

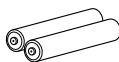
CONTENTS / ACCESSORIES .....	2	SCHEMATIC DIAGRAM .....	11
CONTROLS .....	3	EXPLODED VIEW .....	17
CIRCUIT DESCRIPTION .....	5	PARTS LIST .....	18
ADJUSTMENT .....	6	SPECIFICATIONS .....	21
PC BOARD .....	7		

### Accessories

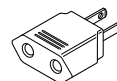
Remote control unit (1)  
(A07-1232-08)  
**(KAF-3010R only)**



Batteries (R6/SUM-3) (2)  
**(KAF-3010R only)**



AC plug adaptor (1)  
(E03-0115-05)



Use to adapt the plug on the power cord to the shape of the wall outlet. (Accessory only for regions where use is necessary.)

### Caution

#### *Operation to reset*

The microcomputer may fall into malfunction (impossibility to operate, erroneous display, etc.) when the power cord is unplugged while power is ON or due to an external factor. In this case, execute the following procedure to reset the microcomputer and return it to normal condition.

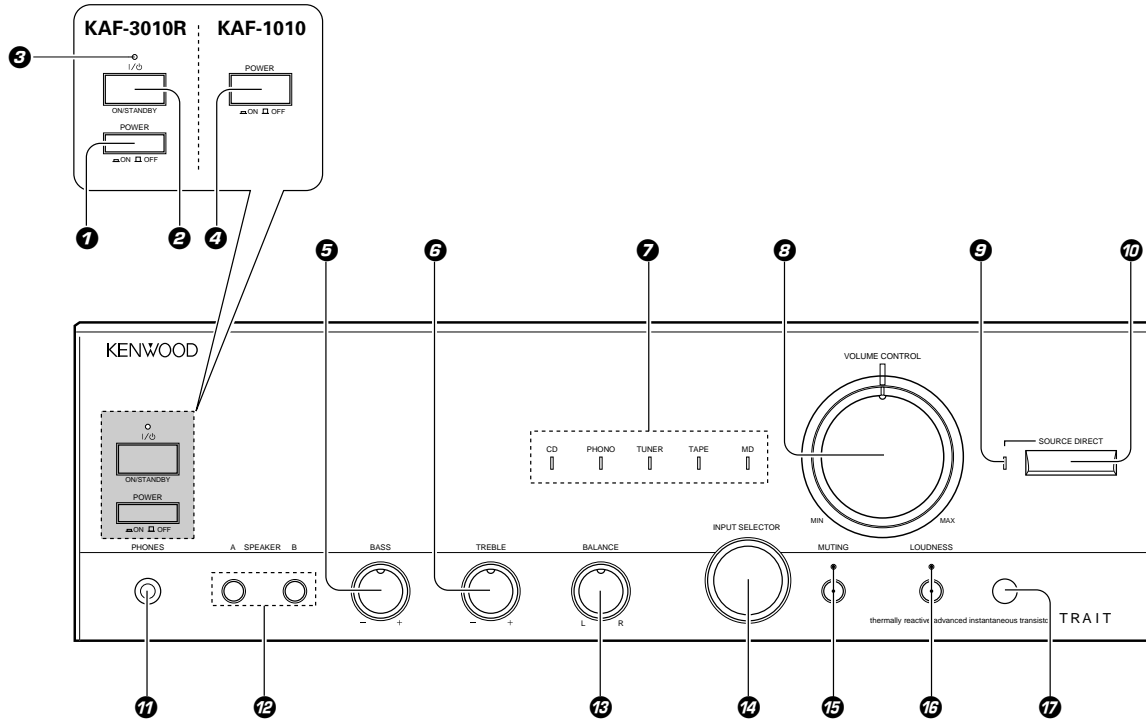
**Set the POWER to OFF then, while holding down the REMOTE POWER key, set the MAIN POWER key to ON.**

- Please note that resetting the microcomputer clears the contents stored in it and returns it to the condition when it left the factory.

# KAF-1010/3010R

## CONTROLS

### Main unit



#### 1 POWER switch (KAF-3010R)

Usually leave this switch to the on position.  
When the unit is not to be used for a long period of time, set the switch to the **OFF** position for safety.

#### 2 ON/STANDBY key (KAF-3010R)

This key effective when the **POWER** key is set to the on (standby) position, and pressing this key turns power **ON** and off (standby).

#### 3 Standby indicator (KAF-3010R)

#### 4 POWER switch (KAF-1010)

#### 5 BASS knob

To adjust low frequencies.

#### 6 TREBLE knob

To adjust high frequencies.

#### 7 INPUT indicator

An indicator lights for the source selected with the **INPUT SELECTOR** knob.

#### 8 VOLUME CONTROL knob

Adjust the volume.

#### 9 SOURCE DIRECT indicator

Usually leave this switch to the on (standby) position.

#### 10 SOURCE DIRECT key

To listen to a source with high quality sound.

#### 11 PHONES jack

Used for headphone listening.

#### 12 SPEAKERS A/B switches

Press to select the A and/or B speaker systems.

#### 13 BALANCE knob

Adjust the volume balance between left and right.

#### 14 INPUT SELECTOR knob

Turn to select the input sources.

#### 15 MUTING key/indicator

Mute the sound temporarily.

#### 16 LOUDNESS key/indicator

Use to emphasize deep bass sounds.

#### 17 Remote sensor(KAF-3010 ONLY)

### About the standby indicator (KAF-3010R only)

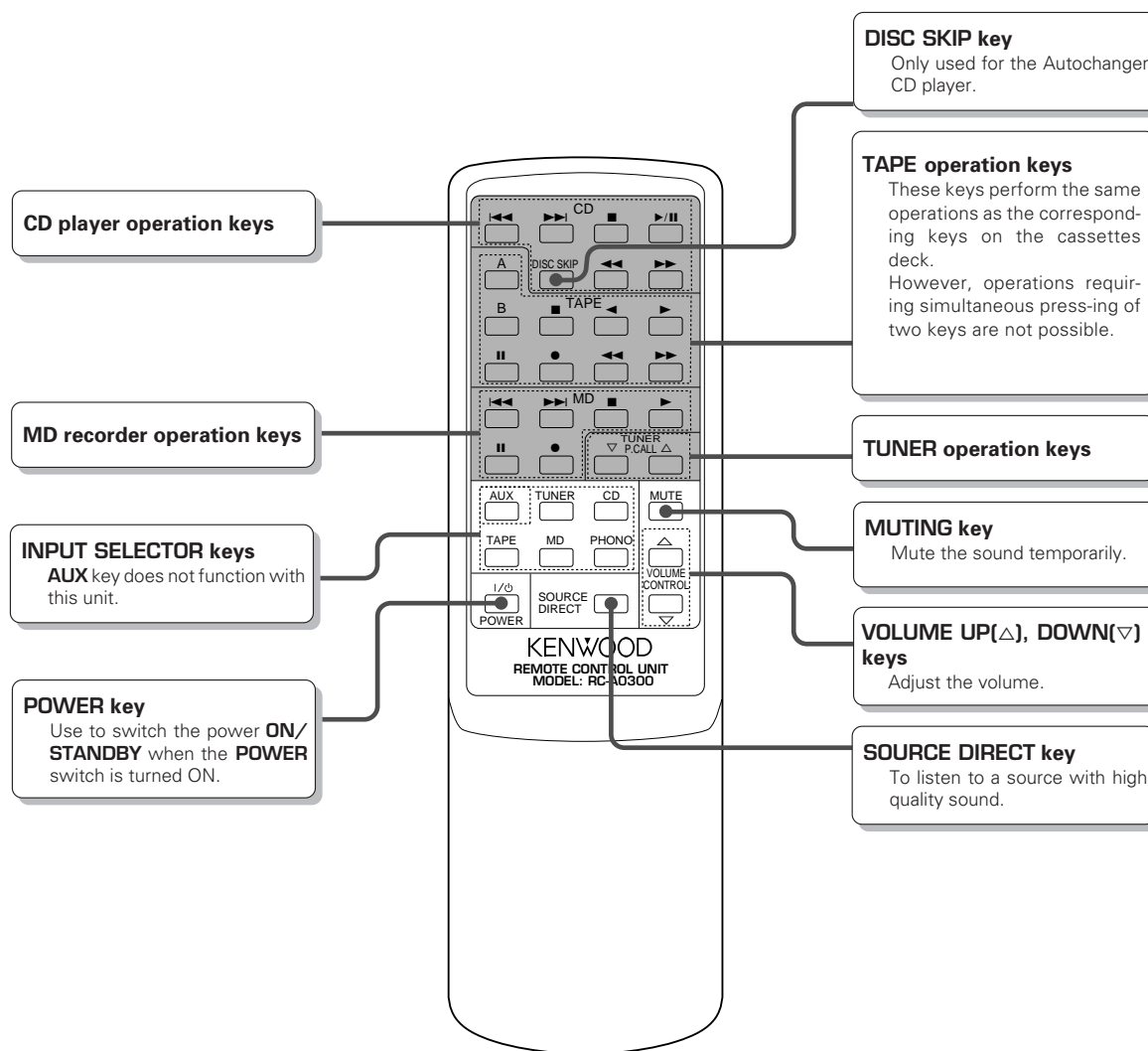
This unit has a standby indicator that lights to show that a small amount of current is being supplied to the unit in order to preserve the memory. This is called the Standby mode. When the Standby indicator is lit, the amplifier can be switched **ON / STANDBY** from the remote control.

# KAF-1010/3010R

## CONTROLS

### *Remote control unit (KAF-3010R only)*

The  part of the illustration designates keys that can be used to operate KENWOOD components connected with the system control. The rest of the illustration designates keys that have the same functions as the keys on the main unit.



Model: RC-A0300  
Infrared ray system

# KAF-1010/3010R

## CIRCUIT DESCRIPTION

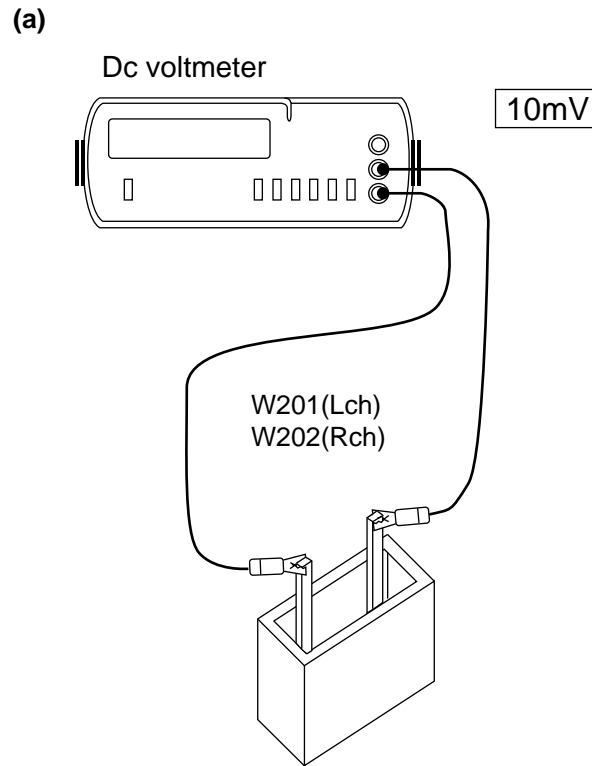
Microprocessor : TMP87C846N (IC501)

Pin No.	Pin Name	I/O	Description
1	DATA	O	Output of DATA signal for control of input selector.
2	CLOCK	O	Output of CLOCK signal for control of input selector.
3	ST	O	Output of STROBE signal for control of input selector.
4	NC	-	No use.
5	8/16	O	8bit/16bit selector.
6	1010/3010R	O	Model selector.
7	PROTECT	I	Protection detector.
8	REMOCON	I	Remote control signal input.
9	STANDBY	O	Standby led control signal output.
10	PHONO	O	Phono led control signal output.
11	CD	O	CD led control signal output.
12	TUNER	O	Tuner led control signal output.
13	TAPE1	O	Tape1 led control signal output.
14	MD	O	MD led control signal output.
15	LOUDNESS	O	Loudness led control signal output.
16	MUTE	O	Mute led control signal output.
17	GND	-	Gnd.
18	RESET	I	Reset signal input.
19,20	XIN,OUT	I/O	Crystal connecting port for clock generation.
21	VSS	-	Gnd.
22	VAREF	-	Analog reference voltage input.
23	KEY	I	A/D key input.
24	POW RE	O	Power relay control signal output.
25	VOL UP	O	Motor volume control.
26	VOL DOWN	O	Motor volume control.
27	MUTE	O	Selector mute control.
28	SP	O	Speaker relay control.
29	LOUDNESS	O	Loudness control.
30,31	EN	I	Rotary encoder signal for input selector.
32	S BUSY	I/O	System serial BUSY signal interface.
33	S DATA	I/O	System serial DATA signal interface.
34	R MUTE	O	Rec mute circuit control signal output.
35,36	NC	-	No use.
37	VOL LED	O	Volume led control.
38	S DIRECT	O	S.DIRECT led control signal output.
39	POW OFF	I	Power off signal input.
40,41	NC	-	No use.
42	VDD	-	Power supply(+5V).

# KAF-1010/3010R

## ADJUSTMENT

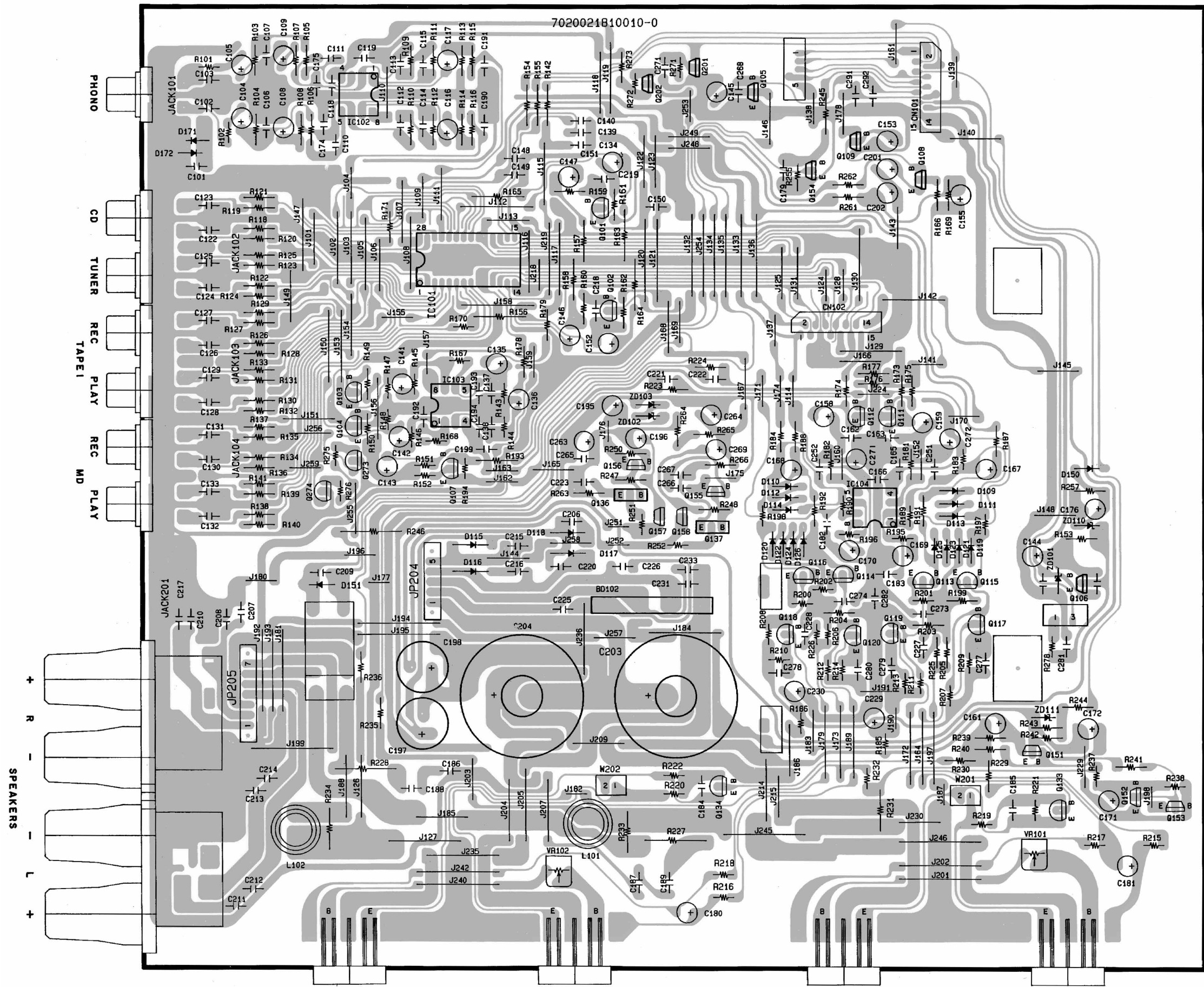
No.	ITEM	INPUT SETTINGS	OUTPUT SETTINGS	AMPLIFIER SETTINGS	ALIGNMENT POINTS	ALIGN FOR	FIG.
Unless otherwise specified, the individual switches should be set as following : POWER : ON      SPEAKER : B      SELECTOR : PHONO							
1	IDLE CURRENT	—	Connect a DC voltmeter as figure W201 (Lch), W202 (Rch). (MAIN PCB)	VOLUME : 0	VR101 (Lch) VR102 (Rch) (MAIN PCB)	10mV	(a)





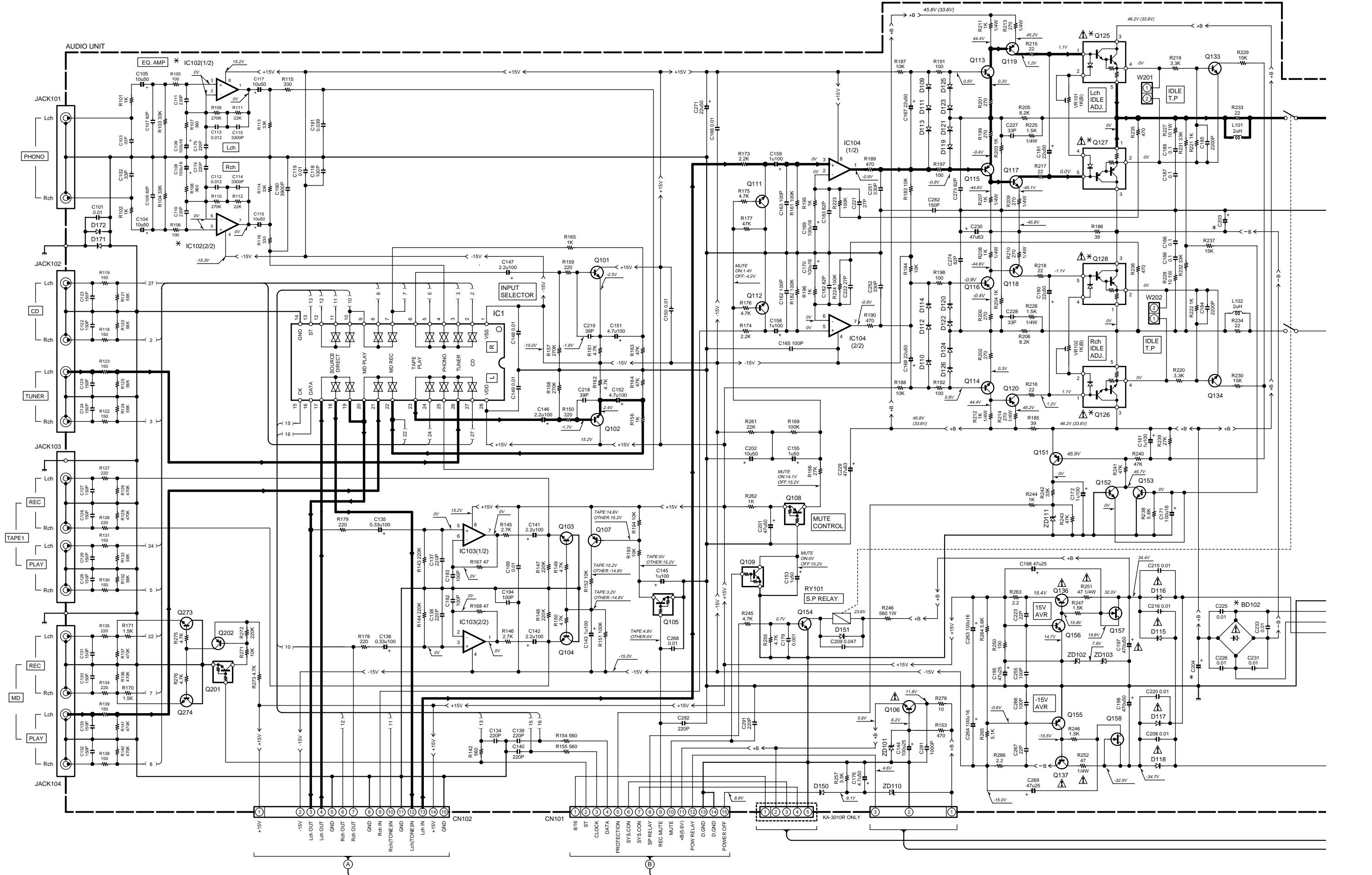


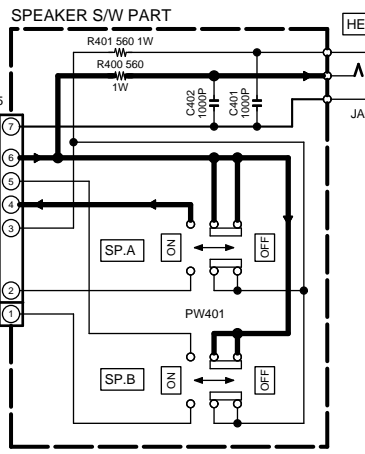
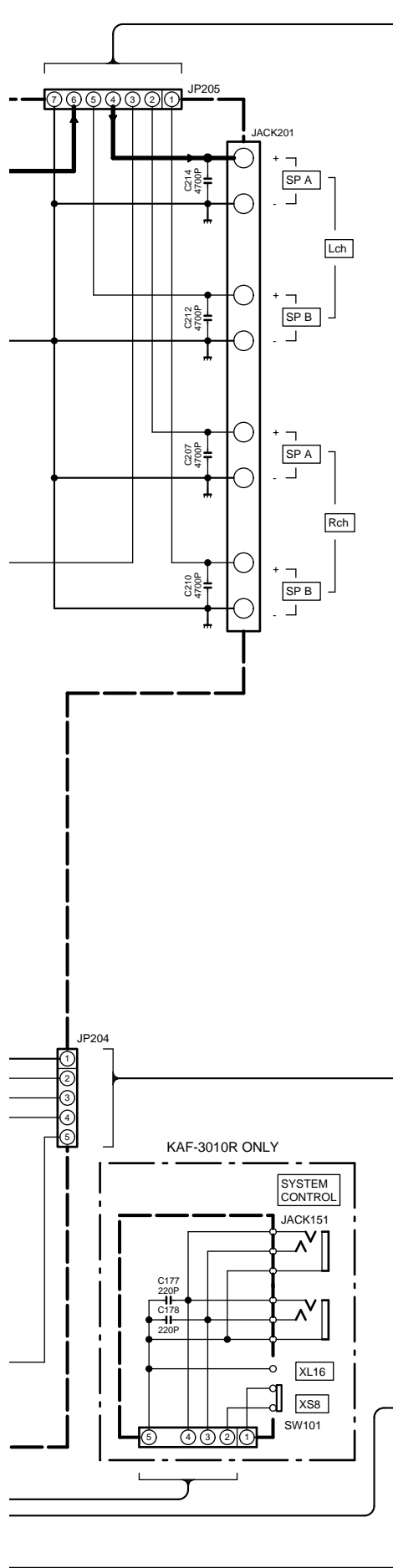
# PC BOARD(Component side view)



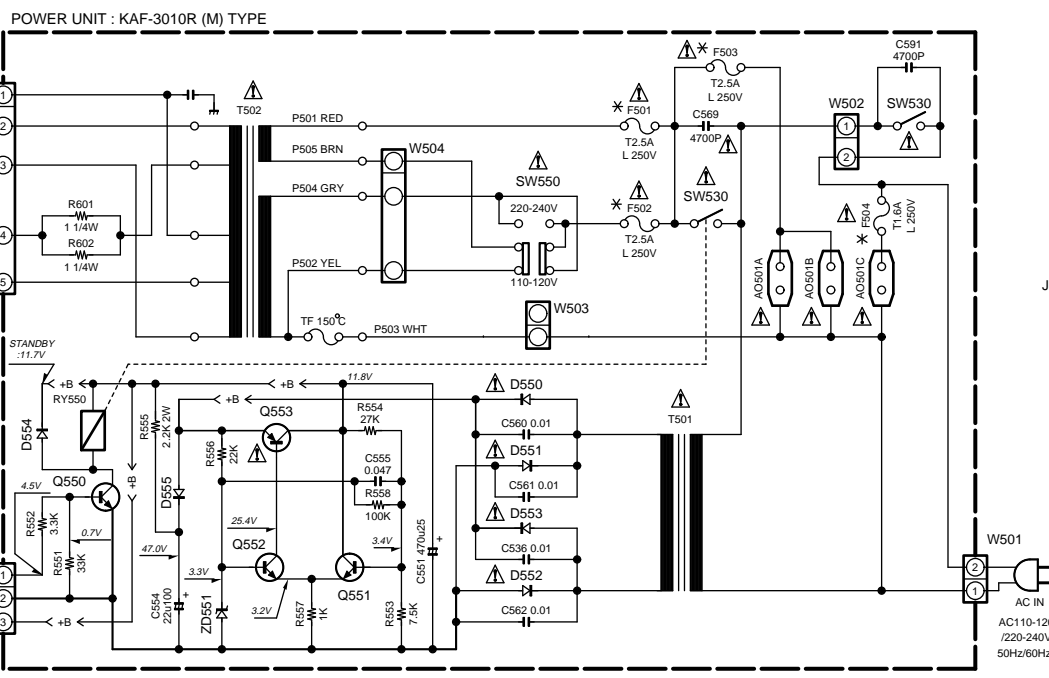
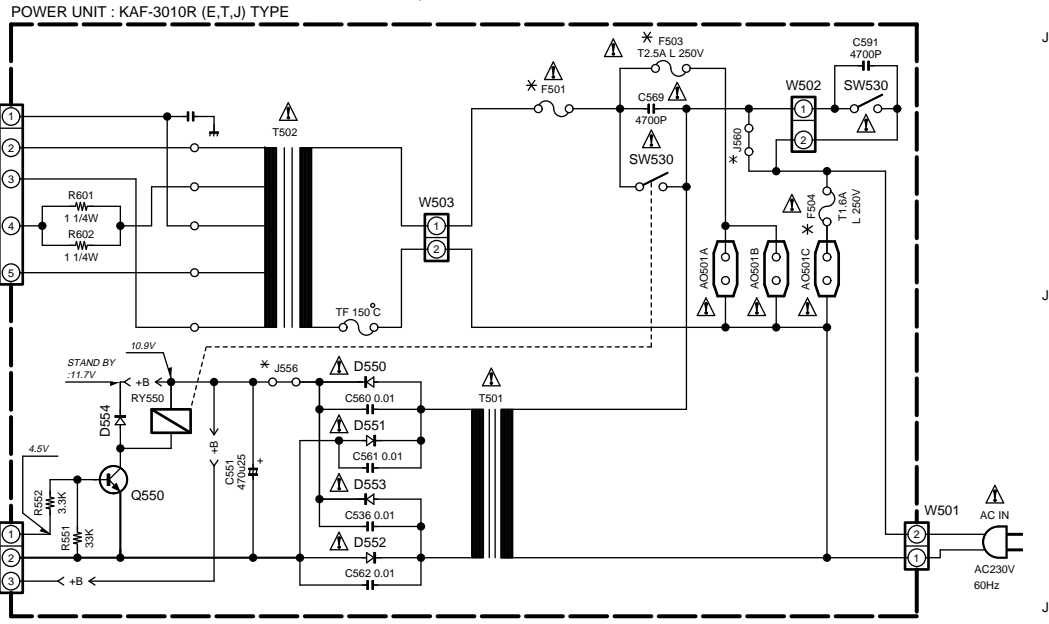
Refer to the schematic diagram for the value of resistors and capacitors.







Part	Value	Part	Value
Q101,102,113,114, 117,118,133,134	: KSC1845F	IC101	: KTC9164AN
Q103,104,111,112	: KTC2878	IC102	: *
Q105,109	: DTC124ES	IC103,104	: NJM4565DD
Q106	: KTC1027Y		
Q107,115,116,119,120,151	: KSA92F-X	D109-114,150,151, 119-126,171,172	: 1SS131
Q152-154,156	: 2SC1740SR	D115-118	: 1N4002A
Q108	: DTA124ES	ZD101	: MTZJ6.2B
Q136	: KTD2058Y	ZD102	: MTZJ6.8B
Q137	: KTB1366Y	ZD103	: MTZJ8.2B
Q155	: 2SA933S	ZD110	: MTZJ2.7B
Q125-128	: *	ZD111	: MTZJ5.1B
Q157,158	: 2SK246GR		
Q201	: DTC124ES		
Q202	: 2SA933S		
Q273,274	: KTC2878		



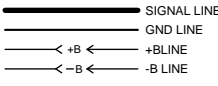
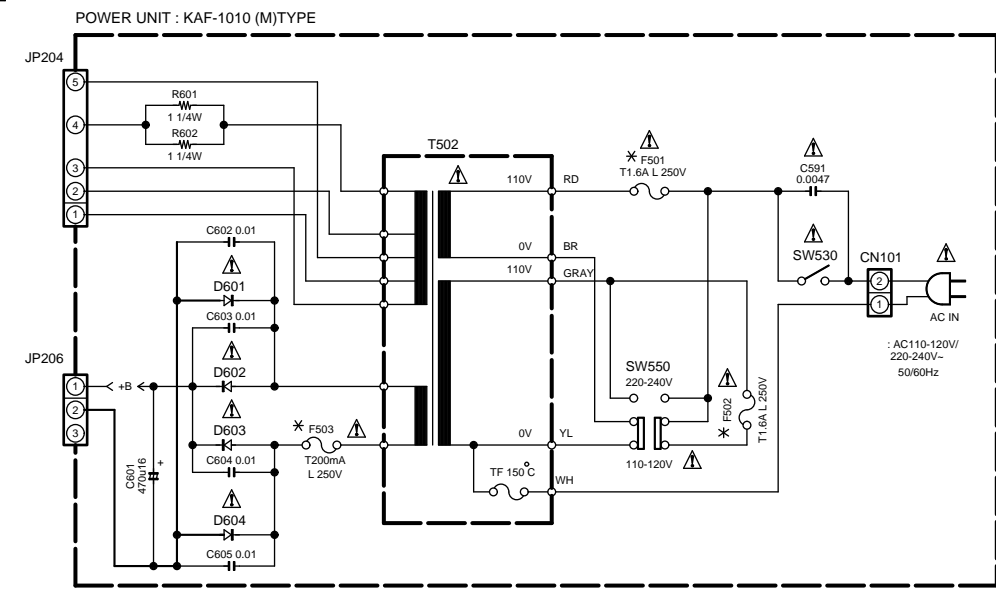
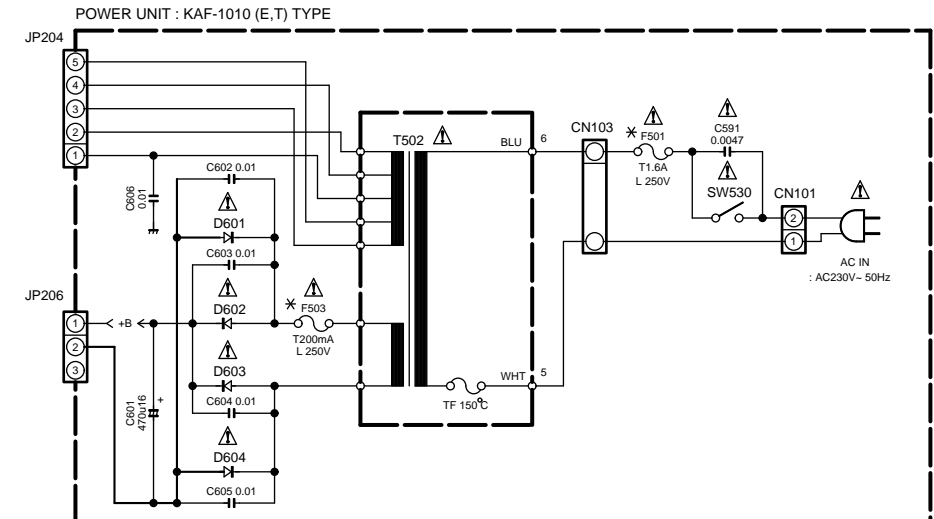
Part	Value	Part	Value
Q550,551	: 2SC1740SR	D550-553	: 1N4002A
Q552	: KSC1845F	D554,555	: 1SS131
Q553	: KSA916Y	D601-604	: 1N4002A
		ZD551	: MTZJ3.9B

CAUTION: For continued safety, replace safety critical components only with manufacturer's recommended parts (refer to parts list).  $\Delta$  indicates safety critical components. For continued protection against risk of fire, replace only with same type and rating fuse(s). To reduce the risk of electric shock, leakage-current or resistance measurements shall be carried out (exposed parts are acceptably insulated from the supply circuit) before the appliance is returned to the customer.

The DC voltage is an actual reading measured with a high impedance type voltmeter with no signal input. The measurement value may vary depending on the measuring instruments used or on the product.

KAF-3010R										
DESTINATION	ABB.	F501	F502	F503	F504	C203,204	Q125,126	Q127,128	BD102	IC102
JAPAN	J	6A 125V	NO	NO	NO					
GENERAL MARKET	M		T2.5A L 250V		NO	6800u63	TRAITR4N	TRAITR4P	D5SB20	NJM4580D-D
U.K.	T	T2.5A L 250V		T2.5A L 250V						
EUROPE	E				YES					

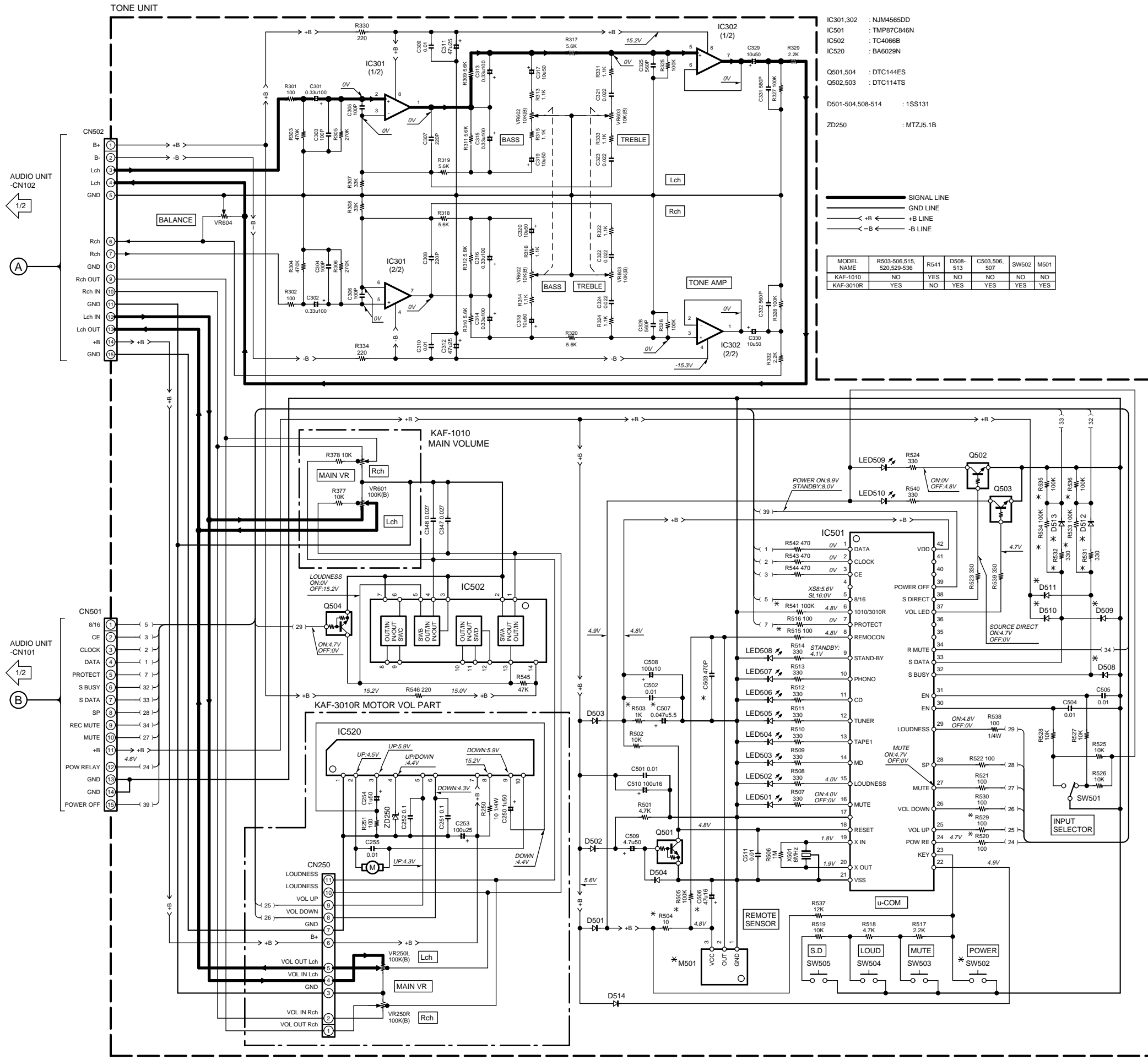
KAF-1010										
DESTINATION	ABB.	F501	F502	F503	F504	C203,204	Q125,126	Q127,128	BD102	IC102
JAPAN	J		T1.6A L 250V							
GENERAL MARKET	M			T200mA L 250V	NO	4700u50	TRAITR2N	TRAITR2P	D3SB20	NJM4565DD
U.K.	T	T1.6A L 250V								
EUROPE	E									



KAF-3010R/1010(M) (1/2)

# KAF-1010/3010R

KENWOOD



- IC301,302 : NJM4565DD
- IC501 : TMP87C84N
- IC502 : TC4066B
- IC520 : BA6029N
- Q501,504 : DTC144ES
- Q502,503 : DTC114TS
- D501-504,508-514 : 1SS131
- ZD250 : MTZJ5.1B

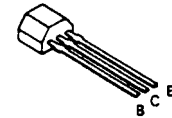
— SIGNAL LINE  
 — GND LINE  
 — +B LINE  
 — -B LINE

MODEL NAME	R503-506,515,520,529-536	R541	D508-513	C503,506,507	SW502	M501
KAF-1010	NO	YES	NO	NO	NO	NO
KAF-3010R	YES	NO	YES	YES	YES	YES

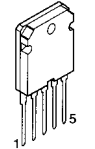
CAUTION: For continued safety, replace safety critical components only with manufacturer's recommended parts (refer to parts list).  $\Delta$  indicates safety critical parts. For continued protection against risk of fire, replace only with same type and rating fuse(s). To reduce the risk of electric shock, leakage-current or resistance measurements shall be carried out (exposed parts are acceptably insulated from the supply circuit) before the appliance is returned to the customer.

The DC voltage is an actual reading measured with a high impedance type voltmeter with no signal input. The measurement value may vary depending on the measuring instruments used or on the product.

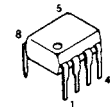
- DTA124ES
- DTC114TS
- DTC124ES
- DTC144ES
- 2SA933S
- 2SC1740SR



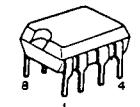
- TRAI4R4N
- TRAI4R4P



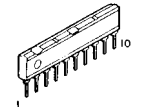
- NJM4565D-D



- NJM4580D-D



- BA6209N



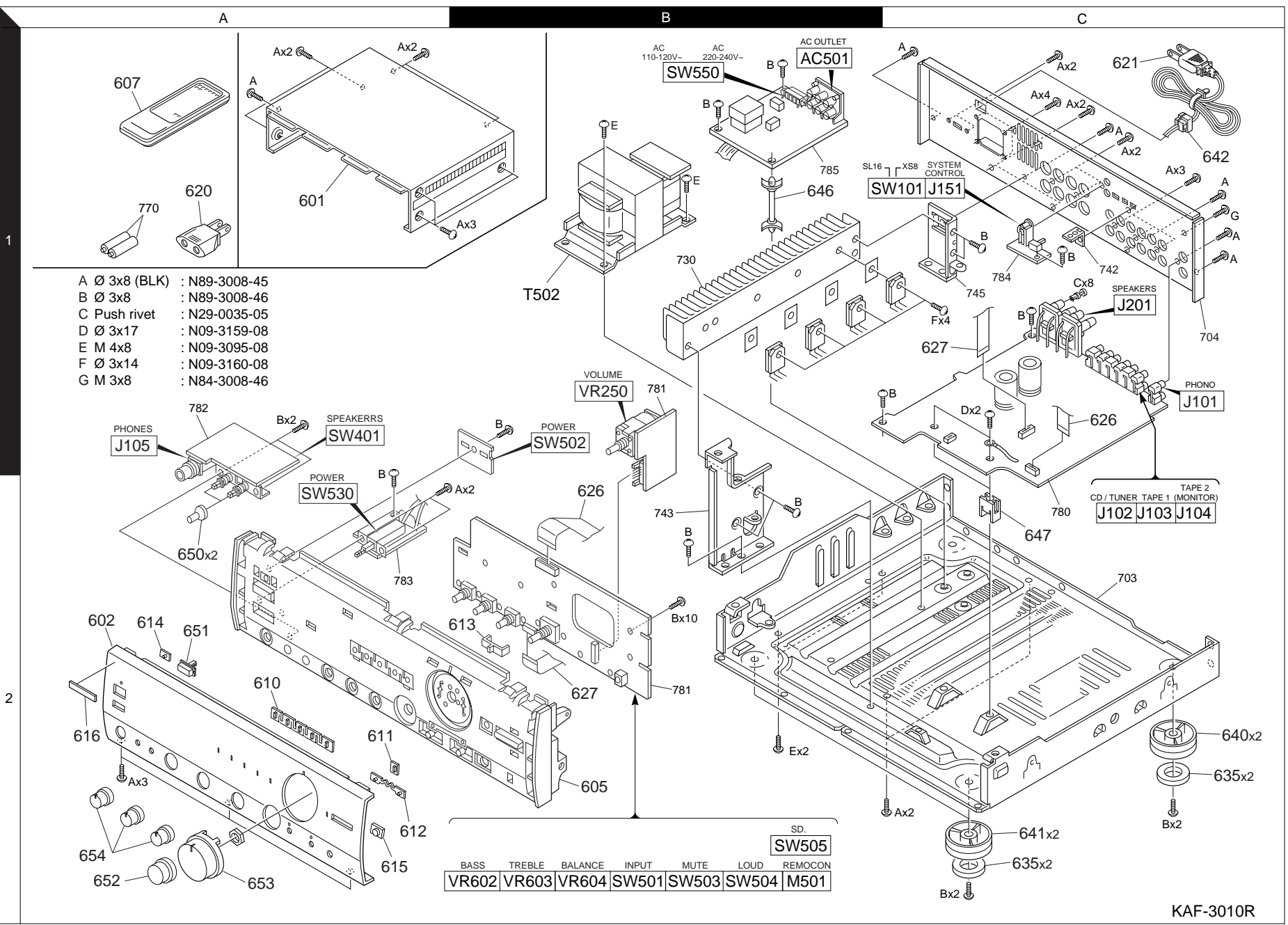
KAF-3010R/1010(M) (2/2)

Y08-5700-51

**KAF-1010/3010R**  
**KENWOOD**

# KAF-1010/3010R

## EXPLODED VIEW



- A Ø 3x8 (BLK) : N89-3008-45
- B Ø 3x8 : N89-3008-46
- C Push rivet : N29-0035-05
- D Ø 3x17 : N09-3159-08
- E M 4x8 : N09-3095-08
- F Ø 3x14 : N09-3160-08
- G M 3x8 : N84-3008-46

SD.						
SW505						
BASS	TREBLE	BALANCE	INPUT	MUTE	LOUD	REMOCON
VR602	VR603	VR604	SW501	SW503	SW504	M501

KAF-3010R

Parts with exploded numbers larger than 700 are not supplied.



\* New Parts  
 Parts without **Parts No.** are not supplied.  
 Les articles non mentionnes dans le **Parts No.** ne sont pas fournis.  
 Teile ohne **Parts No.** werden nicht geliefert.

1

Ref. No	Add-ress	New Parts	Parts No.	Description	Desti-nation	Re-marks
<b>KAF-1010/3010R</b>						
601	1A	*	A01-3630-08	CABINET, TOP		
602	2A	*	A60-1491-08	PANEL-AFTER, FRONT		1
602	2A	*	A60-1492-08	PANEL-AFTER, FRONT		3
605	2B	*	A22-1811-08	FRAME, FRONT		1
605	2B	*	A22-1813-08	FRAME, FRONT		3
607	1A	*	A70-1232-08	REMOTR CONTROL		3
610	2A	*	B19-1592-08	LENS, FUNCTION		
611	2A	*	B19-1593-08	LENS, DIRECT		
612	2A	*	B19-1594-08	LENS, LOUD		
613	2B	*	B19-1595-08	LENS, VOLUME		
614	2A	*	B19-1596-08	LENS, POWER		
615	2A	*	B11-0371-08	WINDOW, REMOCON		3
616	2A	*	B43-0302-04	BADGE		
-		*	B46-0310-03	WARRANTY CARD	E	
-		*	B60-3742-08	INST MANUAL-AFTER, (E)	MT	
-		*	B60-3743-08	INST MANUAL-AFTER, (F,I)	E	
-		*	B60-3744-08	INST MANUAL-AFTER, (N,G)	E	
-		*	B60-3745-08	INST MANUAL-AFTER, (ES)	EM	
-		*	B60-3746-08	INST MANUAL-AFTER, (C,T)	M	
Δ 620	1A	*	E03-0115-05	PLUG, CONVERSION	M	
Δ 621	1C	*	E30-2799-08	CORD, AC	EM	
Δ 621	1C	*	E30-2892-08	CORD, AC	T	
626	2B, 1C	*	E40-8293-08	CABLE, FLAT CARD, 15P		
627	2B, 1C	*	E40-8295-08	CABLE, FLAT CARD, 15P		
635	2C	*	G13-0534-08	CUSHION, FOOT		
-		*	G13-0587-08	CUSHION, SNOW		
-		*	H25-1575-08	POLY BAG-AFTER, SET		
-		*	H25-1601-08	POLY BAG-AFTER, INST		
-		*	H50-2869-08	BOX, GIFT-AFTER	ET	3
-		*	H50-2870-08	BOX, GIFT-AFTER	M	3
-		*	H50-2871-08	BOX, GIFT-AFTER	ET	1
-		*	H50-2872-08	BOX, GIFT-AFTER	M	1
646	1B	*	J19-3631-08	SUPPORTER, PCB		
647	2C	*	J19-5725-08	SUPPORTER, PCB		
640	2C	*	J02-1166-08	FOOT		
641	2C	*	J02-1421-08	FOOT-AFTER		
Δ 642	1C	*	J42-0200-08	STOPPER, CORD AC		
650	2A	*	K29-7376-08	KNOB, SPK		1
651	2A	*	K29-6471-08	KNOB, POWER		3
651	2A	*	K29-7378-08	KNOB, POWER		
652	2A	*	K29-7379-08	KNOB-AFTER, SELECTOR		
653	2A	*	K29-7381-08	KNOB-AFTER, VOLUME		
654	2A	*	K29-7383-08	KNOB-AFTER, CONTROL		
Δ T502	1B	*	L07-2595-08	POWER TRANS, MAIN	ET	1
Δ T502	1B	*	L07-2596-08	POWER TRANS, MAIN	M	1
Δ T502	1B	*	L07-2597-08	POWER TRANS, MAIN	ET	3
Δ T502	1B	*	L07-2598-08	POWER TRANS, MAIN	M	3
<b>ELECTRIC PARTS</b>						
LED501-7		*	B30-2536-08	LED, ROUND, P15-RD		

L : Scandinavia    K : USA    P : Canada    R : Mexico    C : China    I : Malaysia  
 Y : PX(Far East, Hawaii)    T : Europe    E : Europe    G : Germany    V : China (Shanghai)    1 : KAF-1010  
 Y : AAFES(Europe)    X : Australia    Q : Russia    H : Korea    M : Other Areas    3 : KAF-3010R

Δ indicates safety critical components.

\* New Parts  
 Parts without **Parts No.** are not supplied.  
 Les articles non mentionnes dans le **Parts No.** ne sont pas fournis.  
 Teile ohne **Parts No.** werden nicht geliefert.

2

Ref. No	Add-ress	New Parts	Parts No.	Description	Desti-nation	Re-marks
LED508		*	B30-2536-08	LED, ROUND, P15-RD		3
LED510		*	B30-2537-08	LED, ROUND, P15-OR		
C101			CK45FB1H103K	CERAMIC	0.010UF	K
C102, 103			CC45FCH1H330J	CERAMIC	33PF	J
C104, 105			CE04KW1H100M	ELECTRO	10UF	50WV
C106, 107			CC45FCH1H820J	CERAMIC	82PF	J
C108, 109			CE04KW1C101M	ELECTRO	100UF	16WV
C110, 111			CC45FCH1H221J	CERAMIC	220PF	J
C112, 113			CQ92FM1H123J	MYLAR	0.012UF	J
C114, 115			CQ92FM1H332J	MYLAR	3300PF	J
C116, 117			CE04KW1H100M	ELECTRO	10UF	50WV
C118			CC45FCH1H101J	CERAMIC	100PF	J
C119			CK45FB1H103K	CERAMIC	0.010UF	K
C122-133			CC45FCH1H151J	CERAMIC	150PF	J
C134			CC45FCH1H221J	CERAMIC	220PF	J
C135, 136			CE04KW2A33M	ELECTRO	0.33UF	100WV
C137-140			CC45FCH1H221J	CERAMIC	220PF	J
C141, 142			CE04KW2A2R2M	ELECTRO	2.2UF	100WV
C143			CE04KW2A010M	ELECTRO	1.0UF	100WV
C144			CE04KW1E101M	ELECTRO	100UF	25WV
C145			CE04KW2A010M	ELECTRO	1.0UF	100WV
C146, 147			CE04KW2A2R2M	ELECTRO	2.2UF	100WV
C148-150			CK45FB1H103K	CERAMIC	0.010UF	K
C151, 152			CE04KW2A4R7M	ELECTRO	4.7UF	100WV
C153			CE04KW1H010M	ELECTRO	1.0UF	50WV
C155			CE04KW1H010M	ELECTRO	1.0UF	50WV
C158, 159			CE04KW2A010M	ELECTRO	1.0UF	100WV
C161			CE04KW2A010M	ELECTRO	1.0UF	100WV
C162, 163			CC45FCH1H101J	CERAMIC	100PF	J
C165			CC45FCH1H101J	CERAMIC	100PF	J
C166			CK45FB1H103K	CERAMIC	0.010UF	K
C167, 168			CE04KW1H220M	ELECTRO	22UF	50WV
C169-171			CE04KW1C101M	ELECTRO	100UF	16WV
C172			CE04KW2A010M	ELECTRO	1.0UF	100WV
C174, 175			CC45FCH1H221J	CERAMIC	220PF	J
C176			CE04KW1H4R7M	ELECTRO	4.7UF	50WV
C177, 178			CC45FCH1H221J	CERAMIC	220PF	J
C179			CK45FB1H102K	CERAMIC	1000PF	K
C180, 181			CE04KW1H220M	ELECTRO	22UF	50WV
C182, 183			CC45FCH1H331J	CERAMIC	330PF	J
C184, 185			CK45FB1H222K	CERAMIC	2200PF	K
C186-189			CQ92FM1H104J	MYLAR	0.10UF	J
C190, 191			CQ92FM1H392J	MYLAR	3900PF	J
C192-194			CC45FCH1H101J	CERAMIC	100PF	J
C195, 196			CE04KW1E470M	ELECTRO	47UF	25WV
C197, 198			CE04KW1H471M	ELECTRO	470UF	50WV
C199			CK45FB1H103K	CERAMIC	0.010UF	K
C201			CE04KW1H470M	ELECTRO	47UF	50WV
C202			CE04KW1H100M	ELECTRO	10UF	50WV
C203, 204			CE04KW1H472M	ELECTRO	4700UF	50WV
C203, 204			CE04KW1J682M	ELECTRO	6800UF	63WV
C206			CK45FE2H103P	CERAMIC	0.010UF	P
C207			CK45FB1H472K	CERAMIC	4700PF	K
C209			CQ92FM1H473J	MYLAR	0.047UF	J

L : Scandinavia    K : USA    P : Canada    R : Mexico    C : China    I : Malaysia  
 Y : PX(Far East, Hawaii)    T : Europe    E : Europe    G : Germany    V : China (Shanghai)    1 : KAF-1010  
 Y : AAFES(Europe)    X : Australia    Q : Russia    H : Korea    M : Other Areas    3 : KAF-3010R

Δ indicates safety critical components.

KAF-1010/3010R PARTS LIST

\* New Parts  
 Parts without **Parts No.** are not supplied.  
 Les articles non mentionnés dans le **Parts No.** ne sont pas fournis.  
 Teile ohne **Parts No.** werden nicht geliefert.



Ref. No	Add-ress	New Parts	Parts No.	Description	Desti-nation	Re-marks
C210			CK45FB1H472K	CERAMIC 4700PF K		
C212			CK45FB1H472K	CERAMIC 4700PF K		
C214			CK45FB1H472K	CERAMIC 4700PF K		
C215,216			CK45FE2H103P	CERAMIC 0.010UF P		
C218,219			CC45FSL1H681J	CERAMIC 680PF J		3
C220			CK45FE2H103P	CERAMIC 0.010UF P		
C221,222			CC45FCH1H270J	CERAMIC 27PF J		
C223			CC45FCH1H220J	CERAMIC 22PF J		
C225,226			CK45FE2H103P	CERAMIC 0.010UF P		
C227,228			CC45FSL1H331J	CERAMIC 330PF J		
C229,230			CE04KW1J470M	ELECTRO 47UF 63WV		
C231			CK45FE2H103P	CERAMIC 0.010UF P		
C233			CK45FE2H103P	CERAMIC 0.010UF P		
C251,252			CC45FCH1H331J	CERAMIC 330PF J		
C263,264			CE04KW1C101M	ELECTRO 100UF 16WV		
C265,266			CC45FCH1H101J	CERAMIC 100PF J		
C267			CC45FCH1H220J	CERAMIC 22PF J		
C268			CK45FB1H103K	CERAMIC 0.010UF K		
C269			CE04KW1E470M	ELECTRO 47UF 25WV		
C273,274			CC45FSL1H331J	CERAMIC 330PF J		
C277,278			CK45FB1H561K	CERAMIC 560PF K		
C279,280			CC45FSL1H331J	CERAMIC 330PF J		
C281			CK45FB1H102K	CERAMIC 1000PF K		
C282			CC45FSL1H151J	CERAMIC 150PF J		
C291,292			CC45FCH1H221J	CERAMIC 220PF J		
C301,302			CE04KW2AR33M	ELECTRO 0.33UF 100WV		
C303-306			C91-0745-05	CERAMIC 100PF K		
C307,308			C91-0749-05	CERAMIC 220PF K		
C311,312			CE04KW1E470M	ELECTRO 47UF 25WV		
C313-316			CE04KW2AR33M	ELECTRO 0.33UF 100WV		
C317-320			CE04KW1H100M	ELECTRO 10UF 50WV		
C321-324			CQ92FM1H223J	MYLAR 0.022UF J		
C325,326			C91-0754-05	CERAMIC 560PF J		
C329,330			CE04KW1H100M	ELECTRO 10UF 50WV		
C331,332			C91-0754-05	CERAMIC 560PF J		
C347,348			CQ92FM1H273J	MYLAR 0.027UF J		
C401,402			CK45FB1H102K	CERAMIC 1000PF K		1
C501			C91-0749-05	CERAMIC 220PF K		
C502			C91-0769-05	CERAMIC 0.010UF K		
C503			CK45FB1H471K	CERAMIC 470PF K		3
C504,505			C91-0769-05	CERAMIC 0.010UF K		
C506			CE04KW1E470M	ELECTRO 47UF 25WV		3
C507			C90-3741-08	BACKUP CAP		3
C508			CE04KW1A101M	ELECTRO 100UF 10WV		
C509			CE04KW1H4R7M	ELECTRO 4.7UF 50WV		
C510			CE04KW1A101M	ELECTRO 100UF 10WV		
C511			C91-0769-05	CERAMIC 0.010UF K		
C536			CK45FE2H103P	CERAMIC 0.010UF P		3
C551			CE04KW1E471M	ELECTRO 470UF 25WV		3
C554			CE04KW2A220M	ELECTRO 22UF 100WV	M	3
C555			CQ92FM1H473J	MYLAR 0.047UF J	M	3
C560-562			CK45FE2H103P	CERAMIC 0.010UF P		3
C569		*	C91-1571-08	CERAMIC 0.0047UF 250VAC		
C591		*	C91-1571-08	CERAMIC 0.0047UF 250VAC		
C601			CE04KW1C471M	ELECTRO 470UF 16WV		1

L: Scandinavia K: USA P: Canada R: Mexico C: China I: Malaysia  
 Y: PX(Far East, Hawaii) T: Europe E: Europe G: Germany V: China (Shanghai) 1: KAF-1010  
 Y: AAFES(Europe) X: Australia Q: Russia H: Korea M: Other Areas 3: KAF-3010R

Δ indicates safety critical components.

\* New Parts  
 Parts without **Parts No.** are not supplied.  
 Les articles non mentionnés dans le **Parts No.** ne sont pas fournis.  
 Teile ohne **Parts No.** werden nicht geliefert.



Ref. No	Add-ress	New Parts	Parts No.	Description	Desti-nation	Re-marks
C602-605			CK45FB1H103K	CERAMIC 0.010UF K		1
C606			CK45FB1H103K	CERAMIC 0.010UF K		1
Δ AO501			E03-0322-08	SOCKET,POWER,RECEPTA		T
Δ AO501			E03-0338-08	SOCKET,POWER,RECEPTA		E
Δ CN101,2		*	E40-8292-08	CN,FPC,15P		3
Δ CN501,2		*	E40-8294-08	CN,FPC,15P		
JACK101	1C		E70-0104-08	TER,RCA,2PIN		
JACK102-4	2C		E63-0186-08	TER,RCA,4PIN		
JACK105	1A		E11-0263-08	JACK,D6.5 PHONES		
JACK151	1C		E11-0333-08	JACK,D3.5 SYSTEM		3
JACK201	1C	*	G61408103600A	TER,BOARD SCREW 8P		
Δ F501			F05-1612-05	FUSE(T1.6A,250V)	ET	1
Δ F501			F05-2525-05	FUSE(T2.5A,250V)		3
Δ F501,502			F05-1612-05	FUSE(T1.6A,250V)	M	1
Δ F502			F05-2525-05	FUSE(T2.5A,250V)	M	3
Δ F503			F05-2525-05	FUSE(T2.5A,250V)		3
Δ F503			F50-0008-08	FUSE(T0.2A,250V)		1
Δ F504			F05-1612-05	FUSE(T1.6A,250V)	EM	3
L101,102		*	L39-1374-08	COIL,INDUCTOR,2UH		
Δ T501			L07-1987-08	POWER TRANS,SUB	ET	3
Δ T501			L07-2200-08	POWER TRANS,SUB	M	3
X501			L78-0632-08	RESONATOR,CERAMIC		
R227,228			RS14GB3A100J	FL-PROOF RS 10 J 1W		
R246			RS14GB3A561J	FL-PROOF RS 560 J 1W		
R278			RN14BK2E100J	RN 10 J 1/4W		
R400,401			RN14BK3A561J	RN 560 J 1W		
R555			RS14GB3D222J	FL-PROOF RS 2.2K J 2W	M	3
VR101,102		*	R32-0072-08	TRIMMING POT.		
VR601			R39-0005-08	VR,ROTARY,10K		1
VR602,603		*	R39-0022-08	VR,ROTARY,10K		
VR604		*	R39-0023-08	VR,ROTARY		
PW401		*	S68-0102-08	SW,PUSH		
RY101		*	S76-0086-08	RELAY		
RY550		*	S76-0087-08	RELAY		3
SW101		*	S62-0069-08	SW,SLIDE		3
SW501	2B	*	T99-0611-08	SW,ENCODER		
SW502	1B		S70-0044-08	SW,TACT		3
SW503-505	2B		S70-0044-08	SW,TACT		
Δ SW530	2A	*	S68-0105-08	SW,PUSH		
Δ SW550	1B		S62-0068-08	SW,SLIDE	M	
Δ BD102			D3SB20	DIODE		1
Δ BD102			D5SB20	DIODE		3
Δ D109-114			1SS131	DIODE		
Δ D115-118			1N4002A	DIODE		
Δ D119-126			1SS131	DIODE		
D150,151			1SS131	DIODE		
D171,172			1SS131	DIODE		
D501-504			1SS131	DIODE		
D508-513			1SS131	DIODE		3
D514			1SS131	DIODE		
Δ D550-553			1N4002A	DIODE		3
D554			1SS131	DIODE		3
D555			1SS131	DIODE	M	3

L: Scandinavia K: USA P: Canada R: Mexico C: China I: Malaysia  
 Y: PX(Far East, Hawaii) T: Europe E: Europe G: Germany V: China (Shanghai) 1: KAF-1010  
 Y: AAFES(Europe) X: Australia Q: Russia H: Korea M: Other Areas 3: KAF-3010R

Δ indicates safety critical components.

# PARTS LIST KAF-1010/3010R



# KAF-1010/3010R

## SPECIFICATIONS

**For U.K.**

### Continuous rated power output

[KAF-3010R]

(DIN) 1 kHz

at 8  $\Omega$  ..... 70 W + 70 W

at 4  $\Omega$  ..... 100 W + 100 W

(IEC/NF) from 63 Hz to 12,500 Hz, 0.7 % T.H.D.

at 8  $\Omega$  ..... 70 W + 70 W

at 4  $\Omega$  ..... 100 W + 100 W

[KAF-1010]

(DIN) 1 kHz

at 8  $\Omega$  ..... 70 W + 70 W

at 4  $\Omega$  ..... 100 W + 100 W

(IEC/NF) from 63 Hz to 12,500 Hz, 0.7 % T.H.D.

at 8  $\Omega$  ..... 70 W + 70 W

at 4  $\Omega$  ..... 100 W + 100 W

Damping factor ..... 42 (50 Hz)

Total harmonic distortion

..... 0.06 % (20~20,000 Hz, 35 W, 8  $\Omega$ )

..... 0.01 % (1 kHz, 70 W, 8  $\Omega$ )

Frequency response (IHF'78)

CD, TUNER, TAPE, MD ..... 5 Hz~100 kHz, +0 dB, -3 dB

PHONO 'RIAA' response ..... 20 Hz~20 kHz, +1.0 dB, -1.0 dB

### Maximum input level

PHONO (MM) ..... 120 mV, 0.5 % T.H.D. at 1 kHz

### Signal to noise ratio

PHONO (MM) ..... 77 dB (IHF'66)

CD, TUNER, TAPE, MD ..... 105 dB (IHF'66)

PHONO (MM) ..... 59 dB (DIN, 50 mW output)

CD, TUNER, TAPE, MD ..... 61 dB (DIN, 50 mW output)

### Input sensitivity/impedance

PHONO (MM) ..... 2.5 mV/47 k $\Omega$

CD, TUNER, TAPE, MD ..... 200 mV/47 k $\Omega$

### Tone control

BASS .....  $\pm 10$  dB (at 100 Hz)

TREBLE .....  $\pm 10$  dB (at 10 kHz)

### LOUDNESS control

VOLUME at -30 dB level ..... +9 dB (at 100 Hz)

### Output level/impedance

TAPE REC, MD REC ..... 200 mV/220 $\Omega$

### General

Power consumption ..... 200 W

### AC outlet

SWITCHED ..... 2 (total 200 W max.)

UNSWITCHED ..... 1 (100 W max.)

Dimensions ..... W: 440 mm

H: 123 mm

D: 395 mm

Weight (net) [KAF-3010R] ..... 8.0 kg

[KAF-1010] ..... 8.0 kg



1. KENWOOD follows a policy of continuous advancements in development. For this reason specifications may be changed without notice.
2. The full performance may not be exhibited in extremely cold location (under a water-freezing temperature).



# KAF-1010/3010R

**Note:**

Component and circuit are subject to modification to insure best operation under differing local conditions. This manual is based on General market (M) standard, and provides information on regional circuit modification through use of alternate schematic diagrams, and information on regional component variations through use of parts list.

## **KENWOOD CORPORATION**

14-6,Dogenzaka 1-chome, Shibuya-ku, Tokyo, 150-8501 Japan

### **KENWOOD SERVICE CORPORATION**

P.O BOX 22745, 2201 East Dominguez St., Long Beach, CA 90801-5745, U.S.A.

### **KENWOOD ELECTRONICS CANADA INC.**

6070 Kestrel Road, Mississauga, Ontario, Canada L5T 1S8

### **KENWOOD ELECTRONICS LATIN AMERICA S.A.**

P.O BOX 55-2791, Piso 6 plaza Chase, Cl. 47 y Aquilino de la Guardia Panama, Republic de Panama

### **KENWOOD ELECTRONICS BRASIL LTDA.**

Av Indianópolis, 628, 04062-001 Planalto Paullsta São Paulo-SP-Brasil

### **KENWOOD ELECTRONICS U.K. LIMITED**

KENWOOD House, Dwight Road, Watford, Herts., WD1 8EB., United Kingdom

### **KENWOOD ELECTRONICS BELGUM N.V.**

Meachelsesteenweg 418, B-1930 Zaventem, Belgium

### **KENWOOD ELECTRONICS DEUTSCHLAND GMBH**

Rembrücker Str. 15, 63150 Heusenstamm, Germany

### **KENWOOD ELECTRONICS FRANCE S.A.**

13 Boulevard Ney, 75018 Paris, France

### **KENWOOD ELECTRONICS ITALIA S.p.A.**

Via G. Sirtori, 7/9 20129, Milano, Italy

### **KENWOOD IBÉRICA S.A.**

Bolivia, 239-08020 Barcelona, Spain

### **KENWOOD ELECTRONICS AUSTRALIA PTY. LTD.**

(A.C.N. 001499 074)

P.O Box 504, 8 Figtree Drive, Australia Centre, Homebush, N.S.W. 2140, Australia

### **KENWOOD & LEE ELECTRONICS, LTD.**

Unit 3712-3724, Level 37, Tower 1, Metroplaza, 223 Hing Fong Road, Kwai Fong N.T., Hong Kong

### **KENWOOD ELECTRONICS GULF FZE**

P.O.Box 61318, Jebel Ali, Dubai, U.A.E.

### **KENWOOD ELECTRONICS SINGAPORE PTE LTD.**

No. 1 Genting Lane #02-02, KENWOOD Building, Singapore, 349544

### **KENWOOD ELECTRONICS (MALAYSIA) SDN BHD.**

#4.01 Level 4, Wisma Academy Lot 4A, Jalan 19/1 46300 Petaling Jaya Selangor Darul Ehsan Malaysia

### **KENWOOD ELECTRONICS (THAILAND) CO., LTD.**

573/111 Soi Ramkhamhaeng 39, Ramkhamhaeng Road, Wangthonglang, Bangkok, Bangkok 10301 Thailand