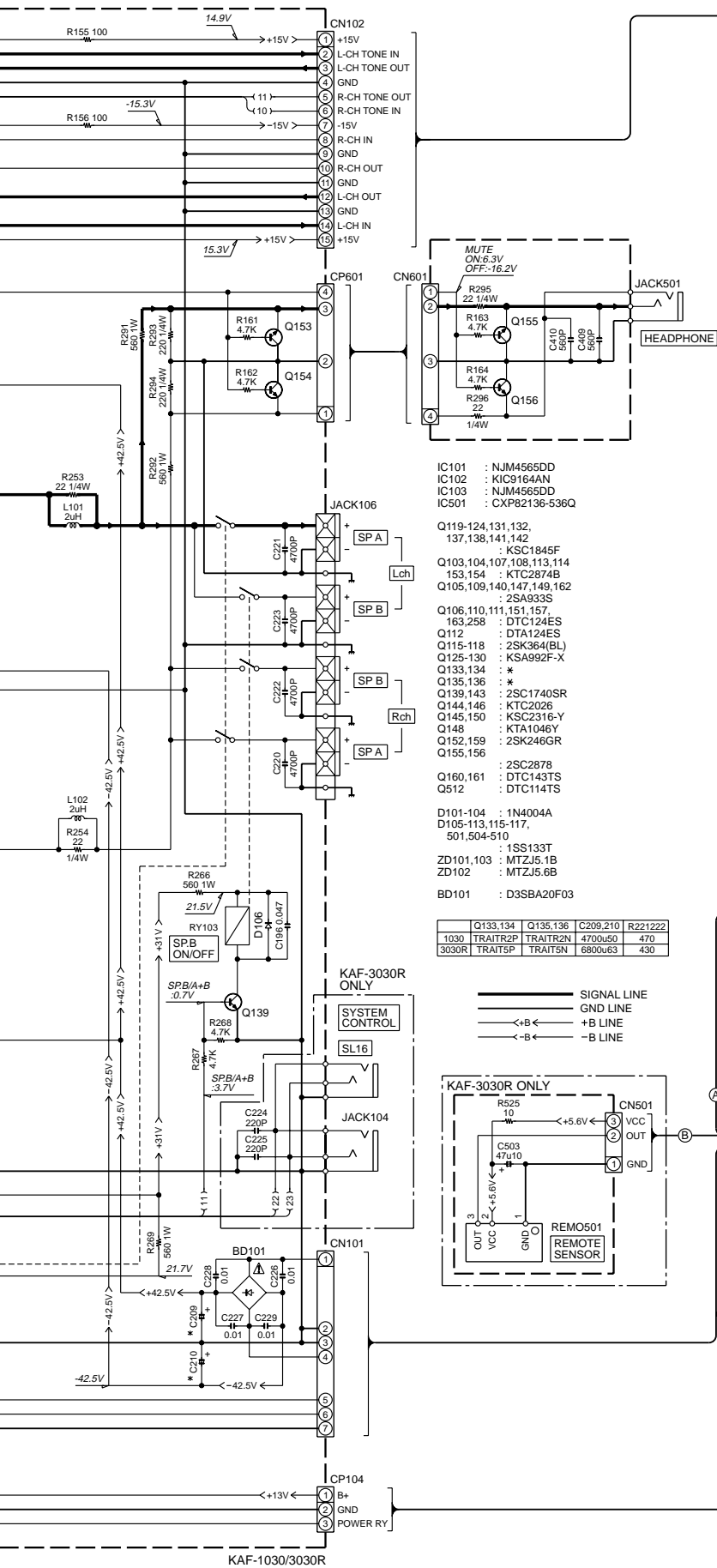
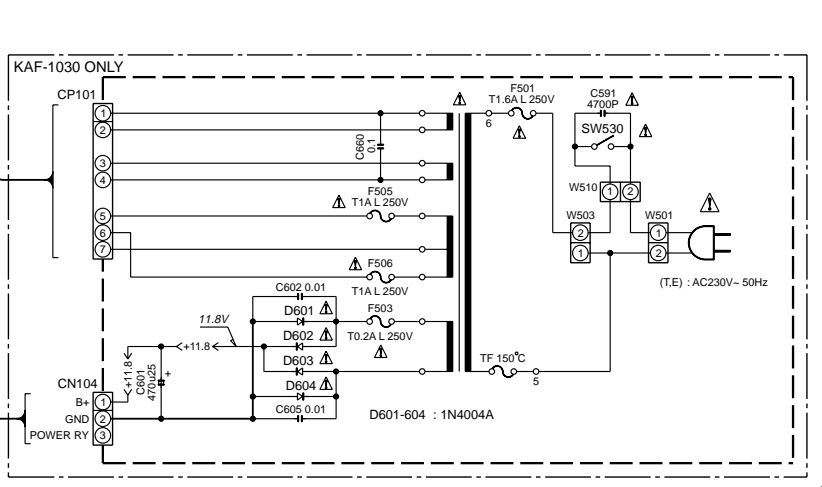
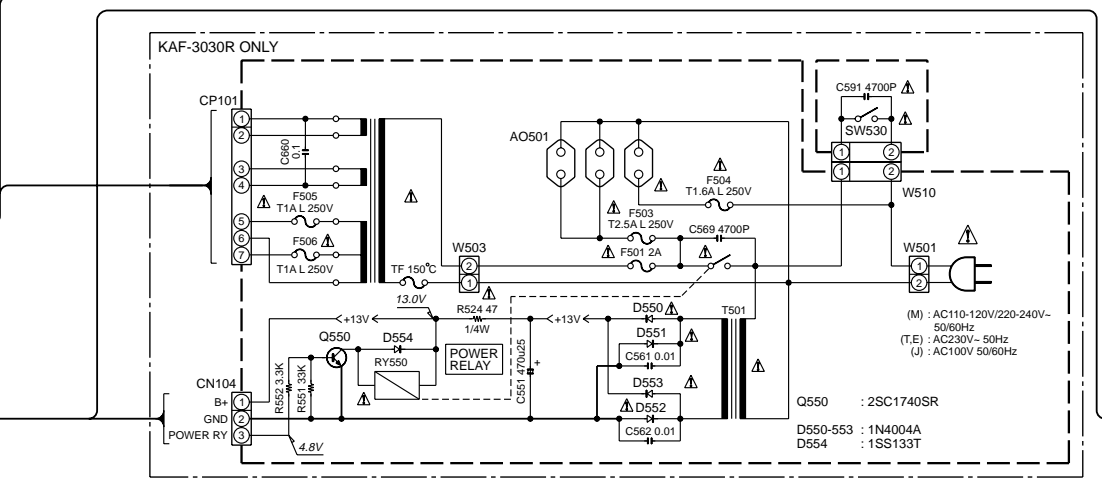
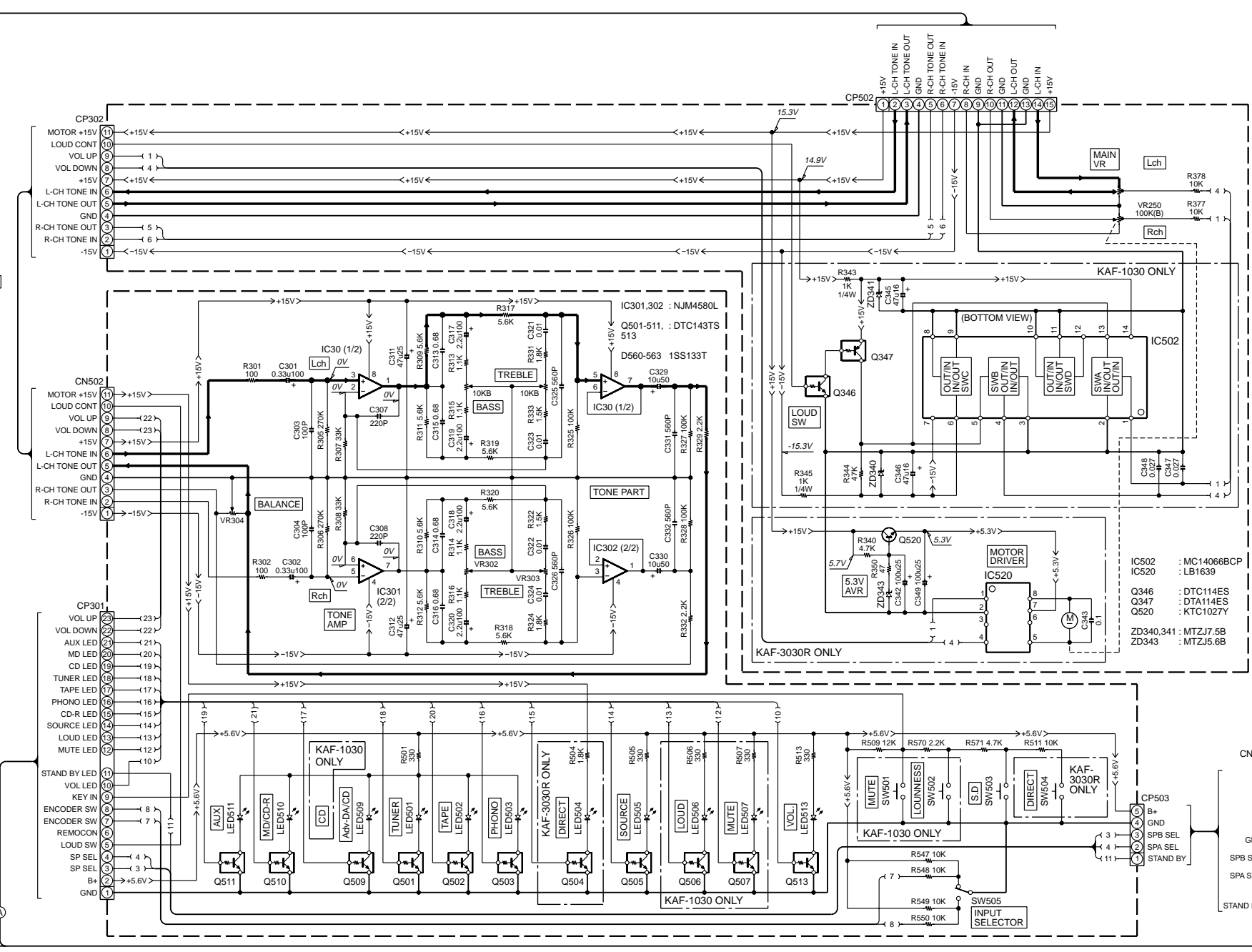
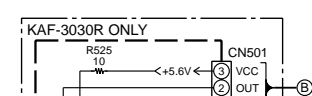


- DTA114ES 2SA933S
 DTA124ES 2SC1740SR
 DTC114ES
 DTC114TS TRAIT5N
 DTC124ES TRAIT5P
 DTC143TS
 2SC2878
 MC14066BCP
 NJM4580L
 2SK364
-



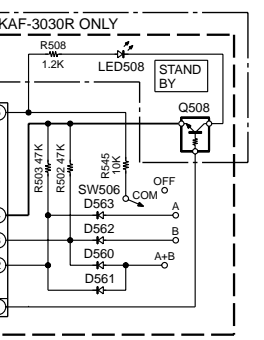
- IC101 : NJM4565DD
 IC102 : KIC9164AN
 IC103 : NJM4565DD
 IC501 : CXP82136-536Q
- Q119,124,131,132, 137,138,141,142 : KSC1845F
 Q103,104,107,108,113,114 153,154 : KTC2874B
 Q105,109,140,147,149,162 : 2SA933S
 Q106,110,111,151,157, 163,258 : DTA124ES
 Q112 : DTA124ES
 Q115-118 : 2SK364(BL)
 Q125-130 : KSA992F-X
 Q133,134 : *
 Q135,136 : *
 Q139,143 : 2SC1740SR
 Q144,146 : KTC2026
 Q145,150 : KSC2316-Y
 Q148 : KTA1046Y
 Q152,159 : 2SK246GR
 Q155,156 : *
 Q160,161 : DTC143TS
 Q512 : DTC114TS
- D101-104 : 1N4004A
 D105-113,115-117, 501,504-510 :
 ZD101,103 : MTZJ5.1B
 ZD102 : MTZJ5.6B
- BD101 : D3SBA20F03

	Q133,134	Q135,136	C209,210	R221,222
1030	TRAITR2P	TRAITR2N	4700u50	470
3030R	TRAITR5P	TRAITR5N	6800u63	430



CAUTION: For continued safety, replace safety critical components only with manufacturer's recommended parts (refer to parts list). Δ indicates safety critical components. For continued protection against risk of fire, replace only with same type and rating fuse(s). To reduce the risk of electric shock, leakage-current or resistance measurements shall be carried out (exposed parts are acceptably insulated from the supply circuit) before the appliance is returned to the customer.

The DC voltage is an actual reading measured with a high impedance type voltmeter with no signal input. The measurement value may vary depending on the measuring instruments used or on the product.



KAF-1030/3030R

KAF-1030
KAF-3030R

KAF-1030/3030R

Y08-5772-70

KENWOOD