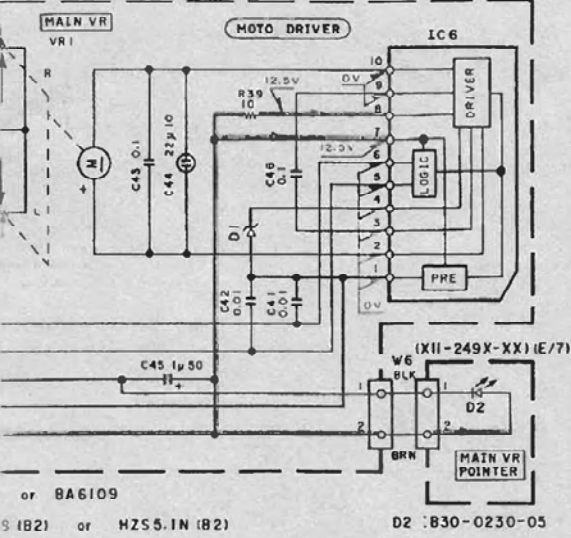
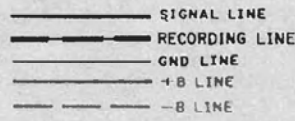


- XX) (D/7)

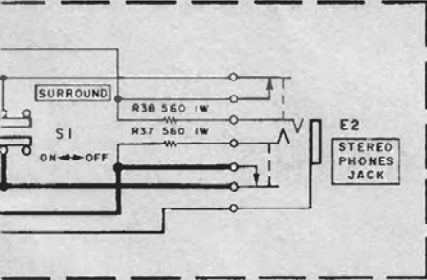


or 8A6109
9 (B2) or HZ55.1N (B2)

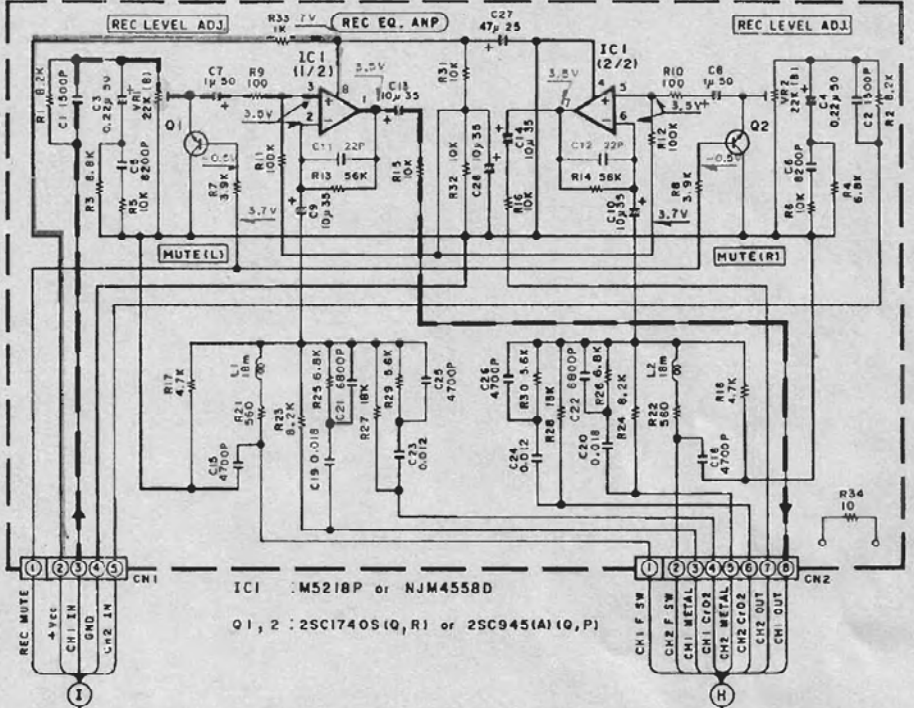
D2 : B30-0230-05



X - XX) (F/7)



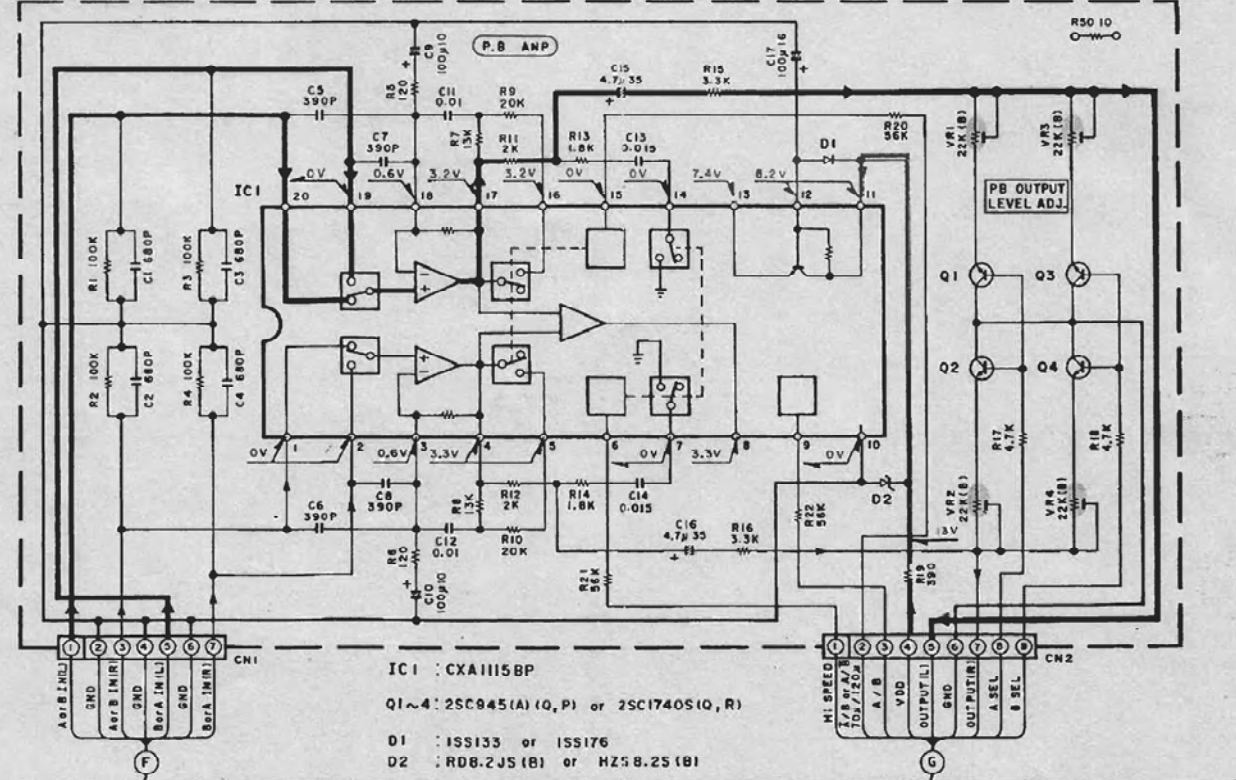
(X87 - 1220 - 01)



IC1 : M5218P or NJM4558D

Q1, 2 : 2SC1740S (Q, R1) or 2SC945 (A) (Q, P)

(X87 - 1210 - 01)

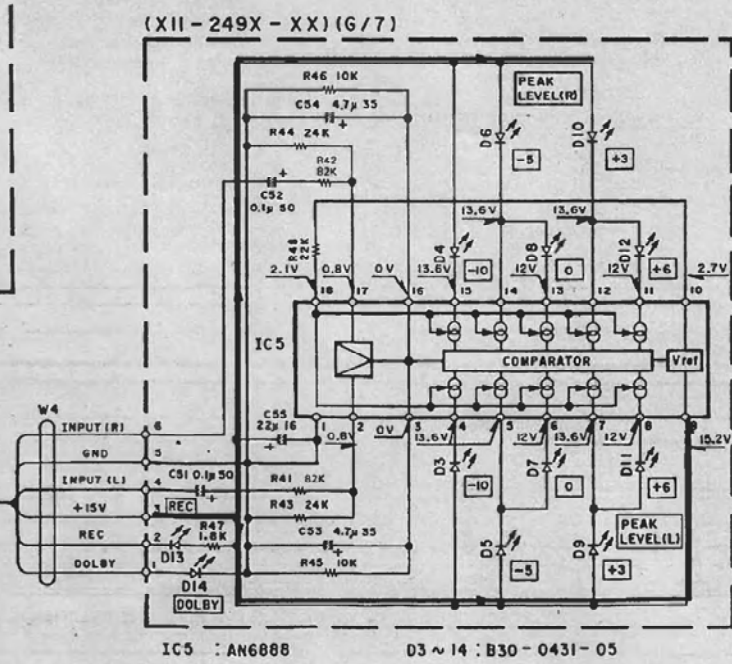
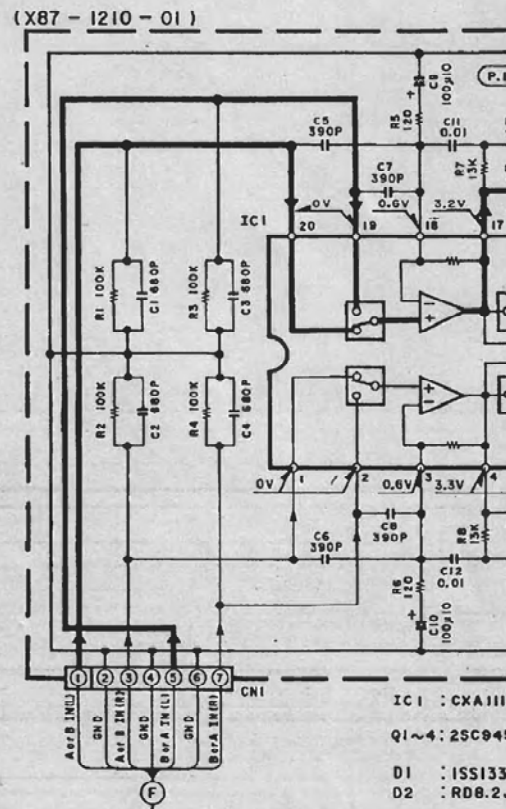
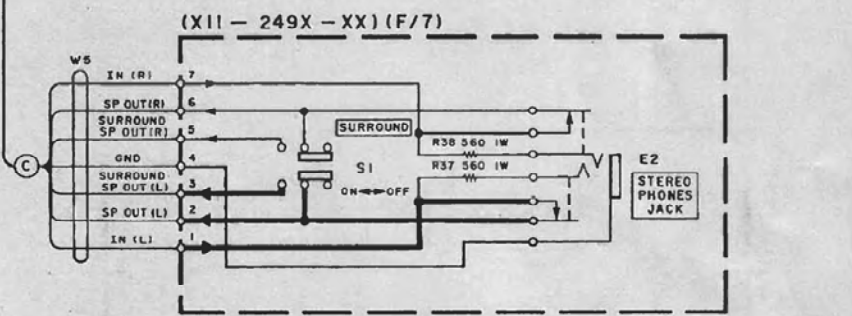
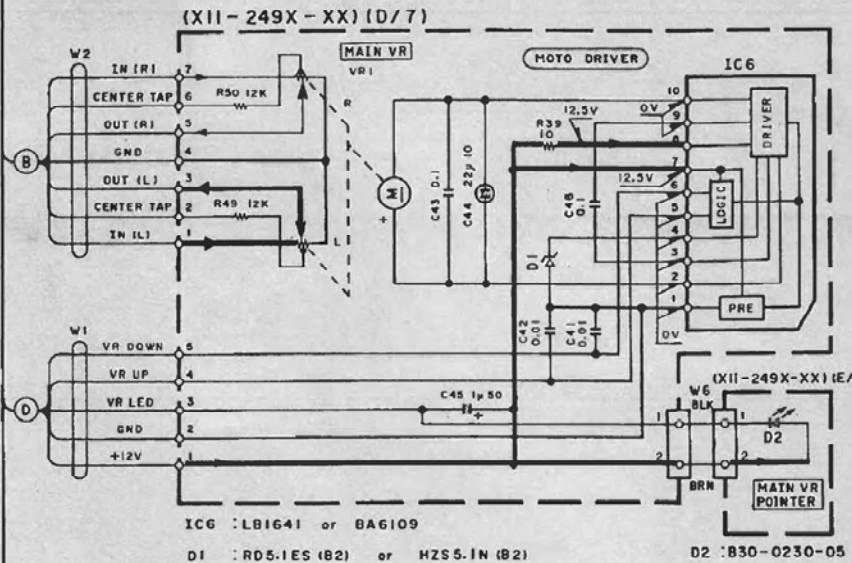
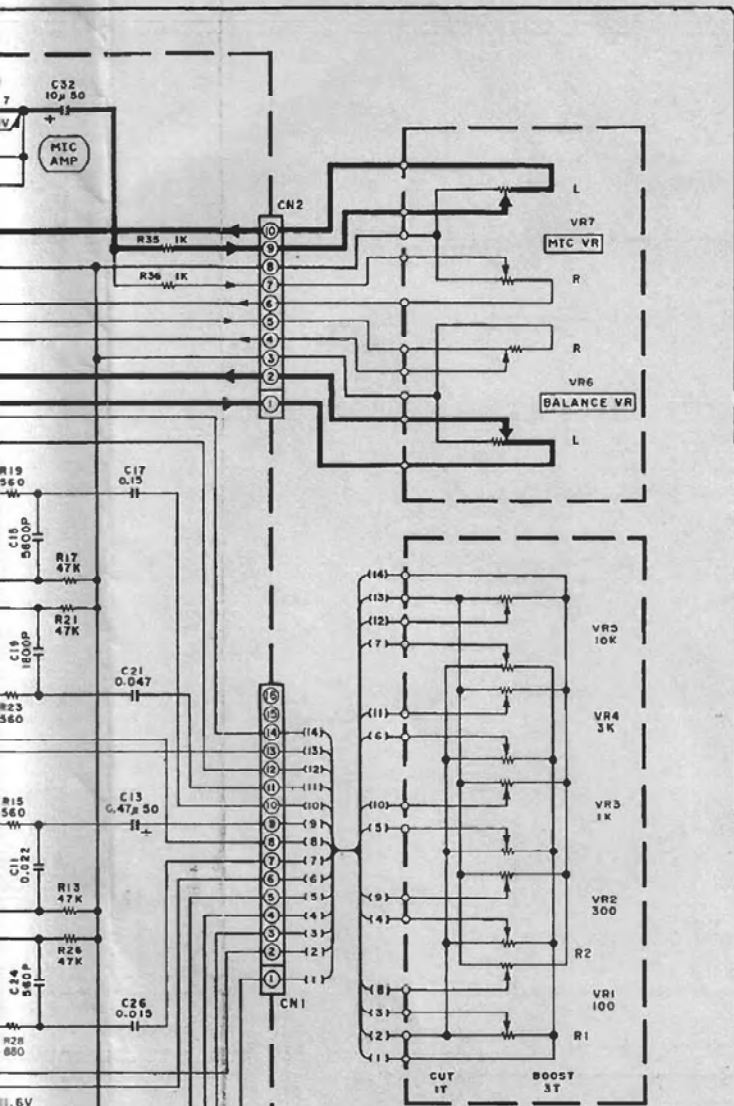


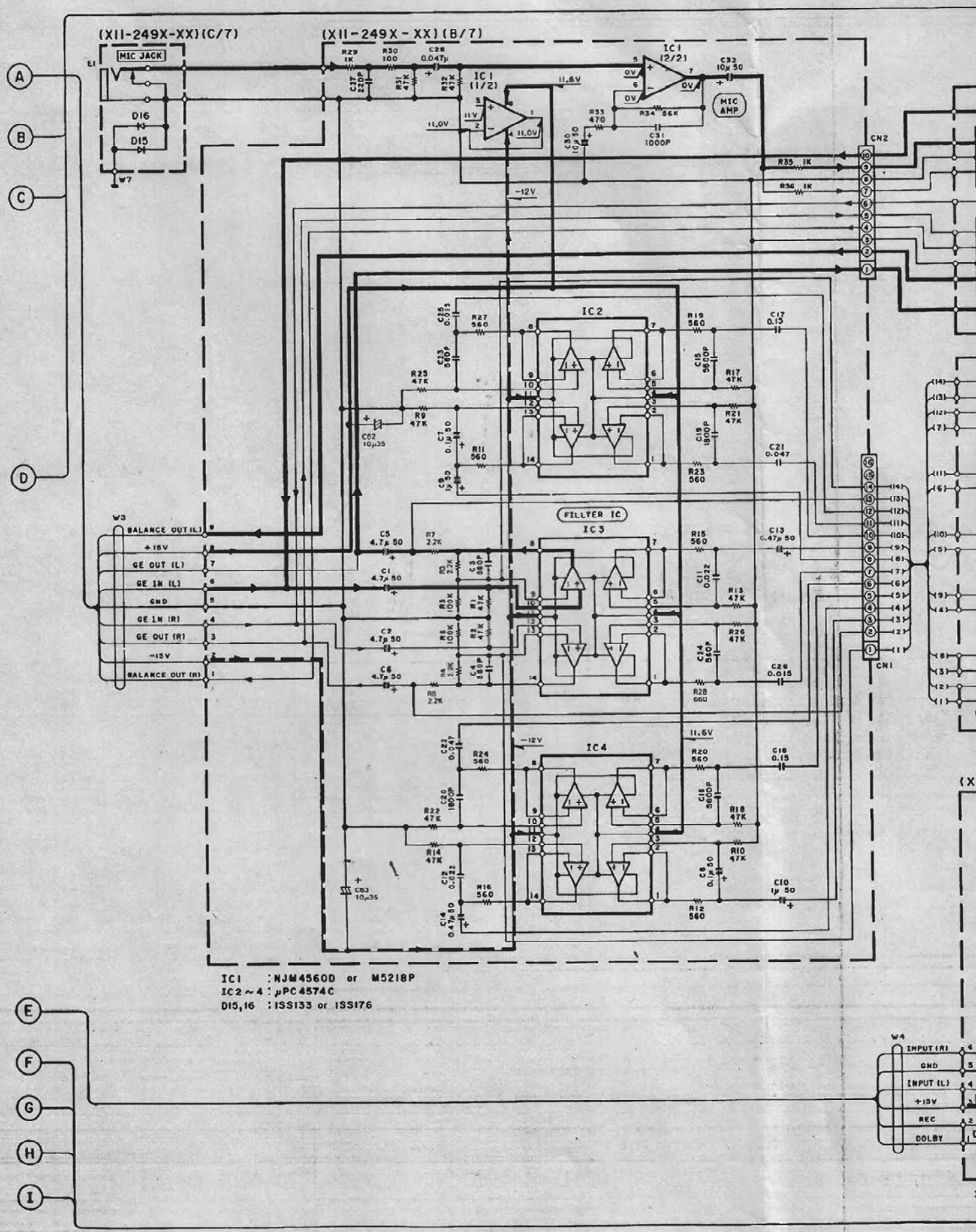
IC1 : CX41115BP

Q1~4 : 2SC945 (A) (Q, P) or 2SC1740S (Q, R)

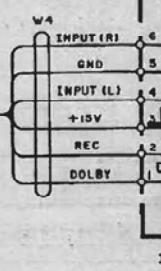
D1 : 1SS133 or 1SS176

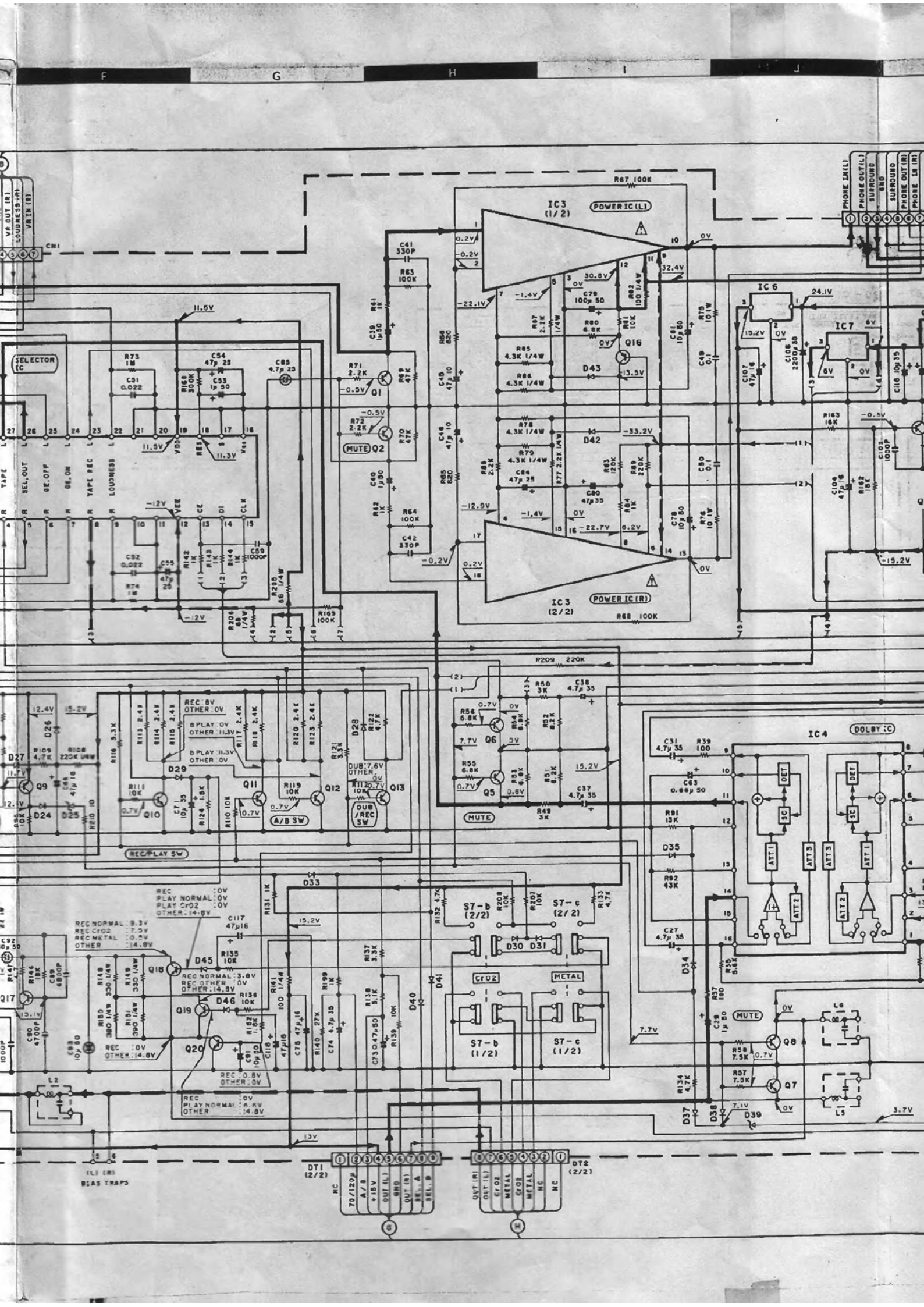
D2 : RDB.2JS (B) or HZ58.25 (B)

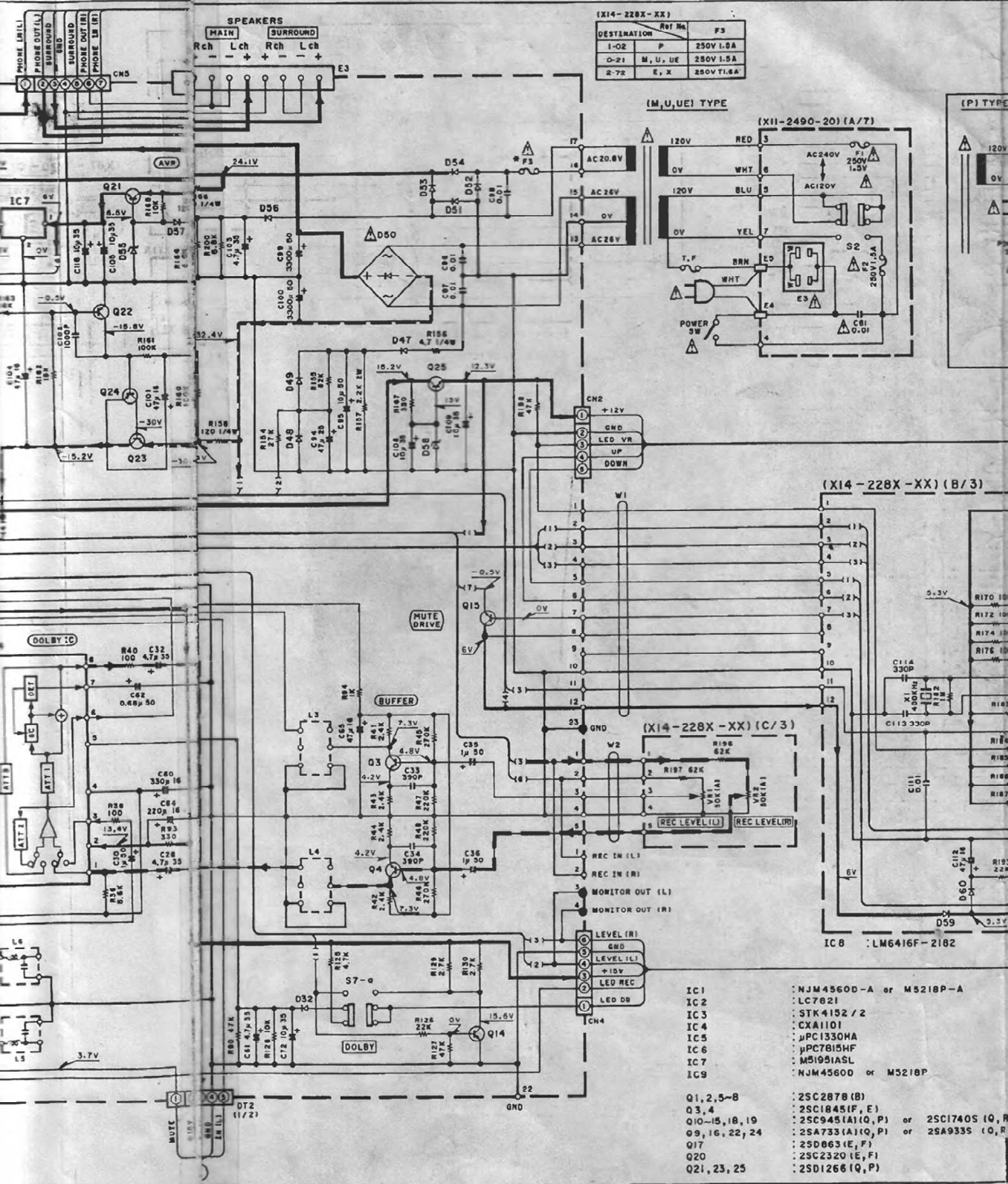




IC1 : NJM4560 or M5218P
 IC2 ~ 4 : µPC4574C
 DI5,16 : ISS133 or ISS176



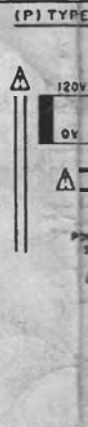
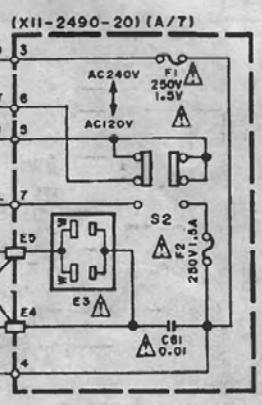




(X14-228X-XX)

DESTINATION	Ref No	F3
I-02	P	250V 1.5A
O-21	M, U, UE	250V 1.5A
R-72	E, X	250V 1.5A

(M,U,UE) TYPE

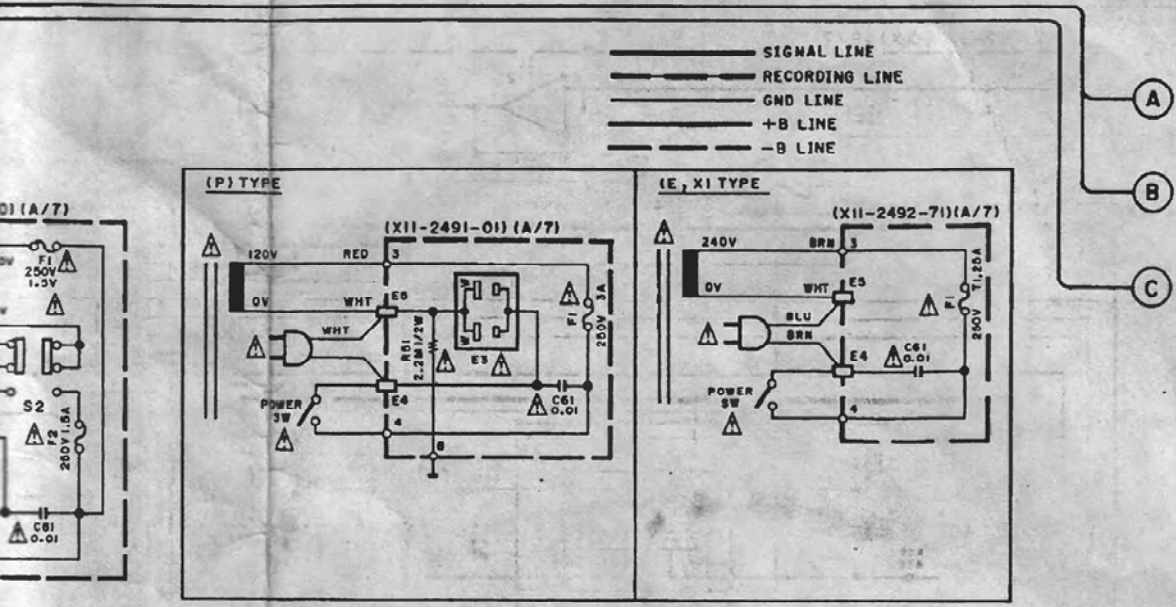


(X14-228X-XX) (B/3)

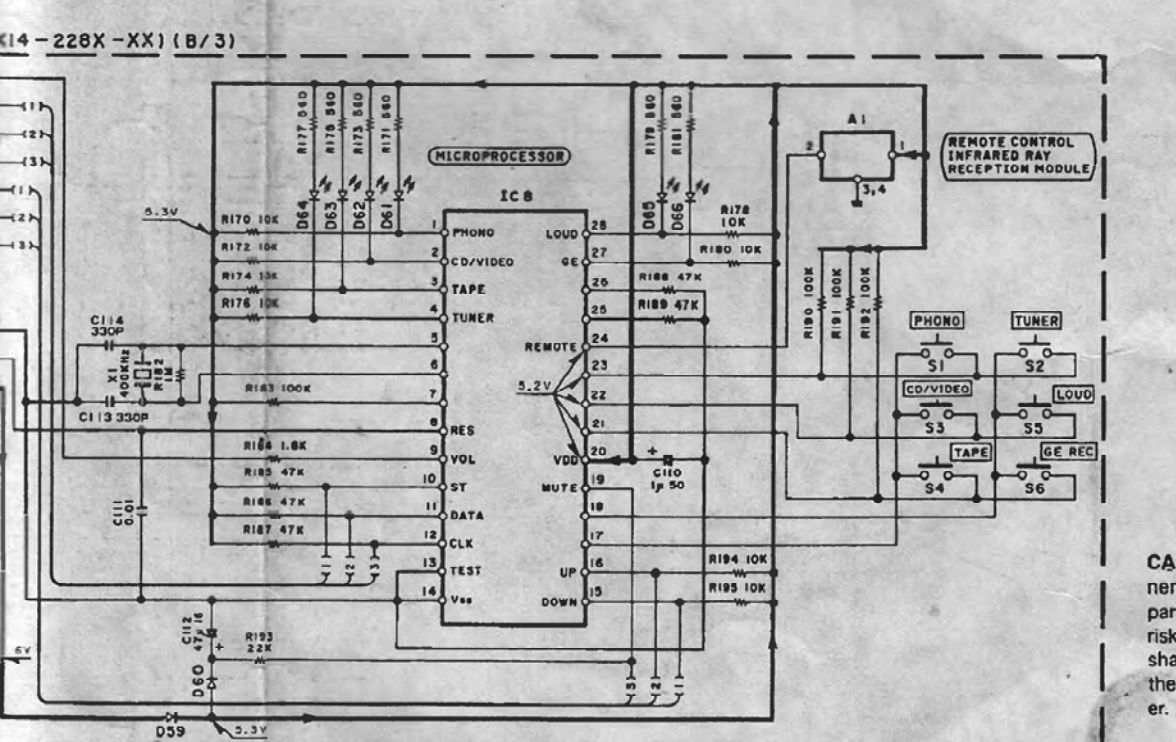
(X14-228X-XX) (C/3)

- IC1 : NJM4560D-A or M5218P-A
- IC2 : LC7821
- IC3 : STK4152 / 2
- IC4 : CXA1101
- IC5 : μ PC1330HA
- IC6 : μ PC7815HF
- IC7 : M5195IASL
- IC9 : NJM4560D or M5218P

- Q1, 2, 5-8 : 2SC2878 (B)
- Q3, 4 : 2SC1845 (F, E)
- Q10-15, 18, 19 : 2SC945 (A) (Q, P) or 2SC1740S (Q, R)
- Q9, 16, 22, 24 : 2SA733 (A) (Q, P) or 2SA933S (Q, R)
- Q17 : 2SD863 (E, F)
- Q20 : 2SC2320 (E, F)
- Q21, 23, 25 : 2SD1266 (Q, P)



Need part with volume control (B)



CAUTION: For continued safety, replace safety parts only with manufacturer's recommended parts list). ⚠ Indicates safety critical components risk of electric shock, leakage-current or resistance shall be carried out (exposed parts are acceptably the supply circuit) before the appliance is returned er.

- LM6416F-2182
- D59, 60 : ISS133 or ISS176
- D61~66 : B30-0431-05
- D1~24, 26~38 : ISS133 or ISS176
- 40, 41, 45, 46 : RD3.9ES (B2) or HZS 3.9M (B2)
- D25, 39 : ISS131 or ISS178
- D42, 43, 48, 49, 56, 57 : RD13ES (B2) or HZS13N (B2)
- D44, 58 : DSM1A1 or S5566B
- D47, 51~54 : RBV-402LFA or D3SBA20F03
- D50 : RD6.8ES (B2) or HZS6.8M (B2)
- D55 : W02-0776-05
- A1
- 500-A or M5218P-A
- 2/2
- DHA
- DHF
- DHL
- D50 or M5218P
- (B)
- (F, E)
- (A)(Q, P) or 2SC1740S (Q, R)
- (A)(Q, P) or 2SA933S (Q, R)
- (E, F)
- (E, F)
- (Q, P)

- DC voltages are measured with a high impedance meter. Values may vary slightly due to variations in individual instruments or/and units.
- Les tensions c.c. doivent être mesurées avec un voltmètre à haute impédance. Les valeurs peuvent varier en raison du fait des variations inhérentes aux instruments de mesure individuels.
- Die angegebenen Gleichspannungswerte sind mit einem hochohmigen Voltmeter gemessen. Die Meßwerte aufgrund von Unterschieden in den einzelnen Instrumenten oder Geräten u. U. g.

