

KENWOOD
HI/FI STEREO COMPONENTS

SERVICE MANUAL

KD-2000

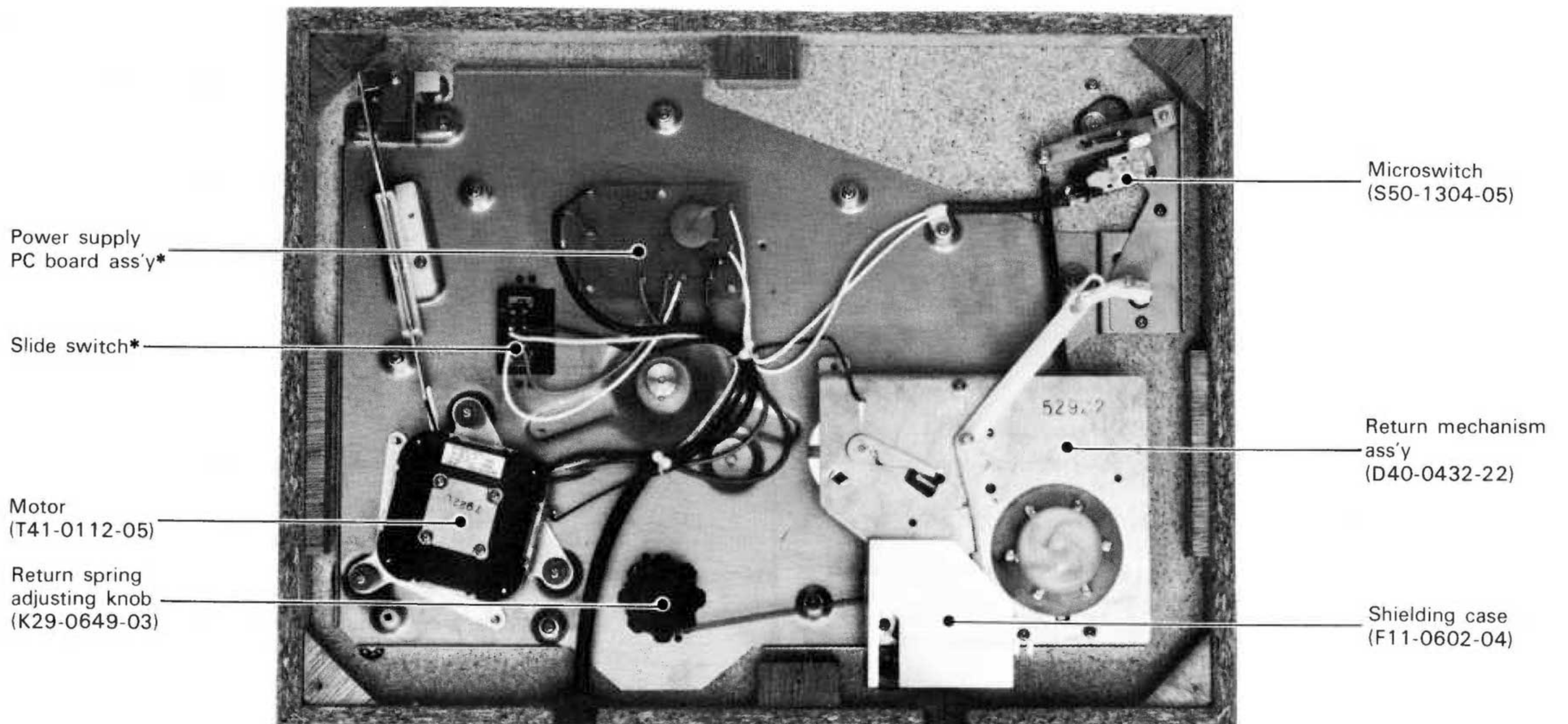
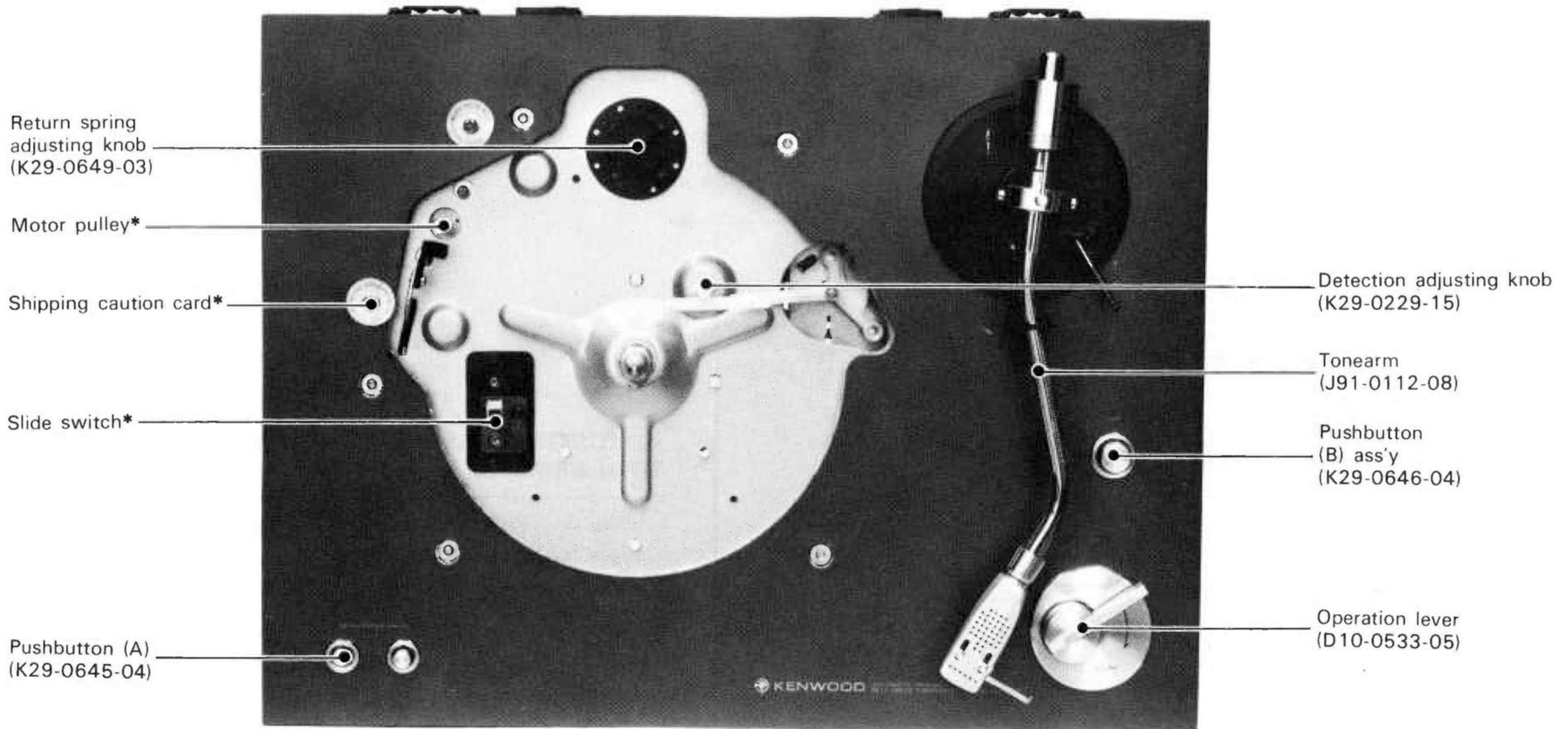
NOTE

The detailed description on "mechanism" is printed in KD-3070 service manual.



BELT DRIVE TURNTABLE

INTERNAL VIEW



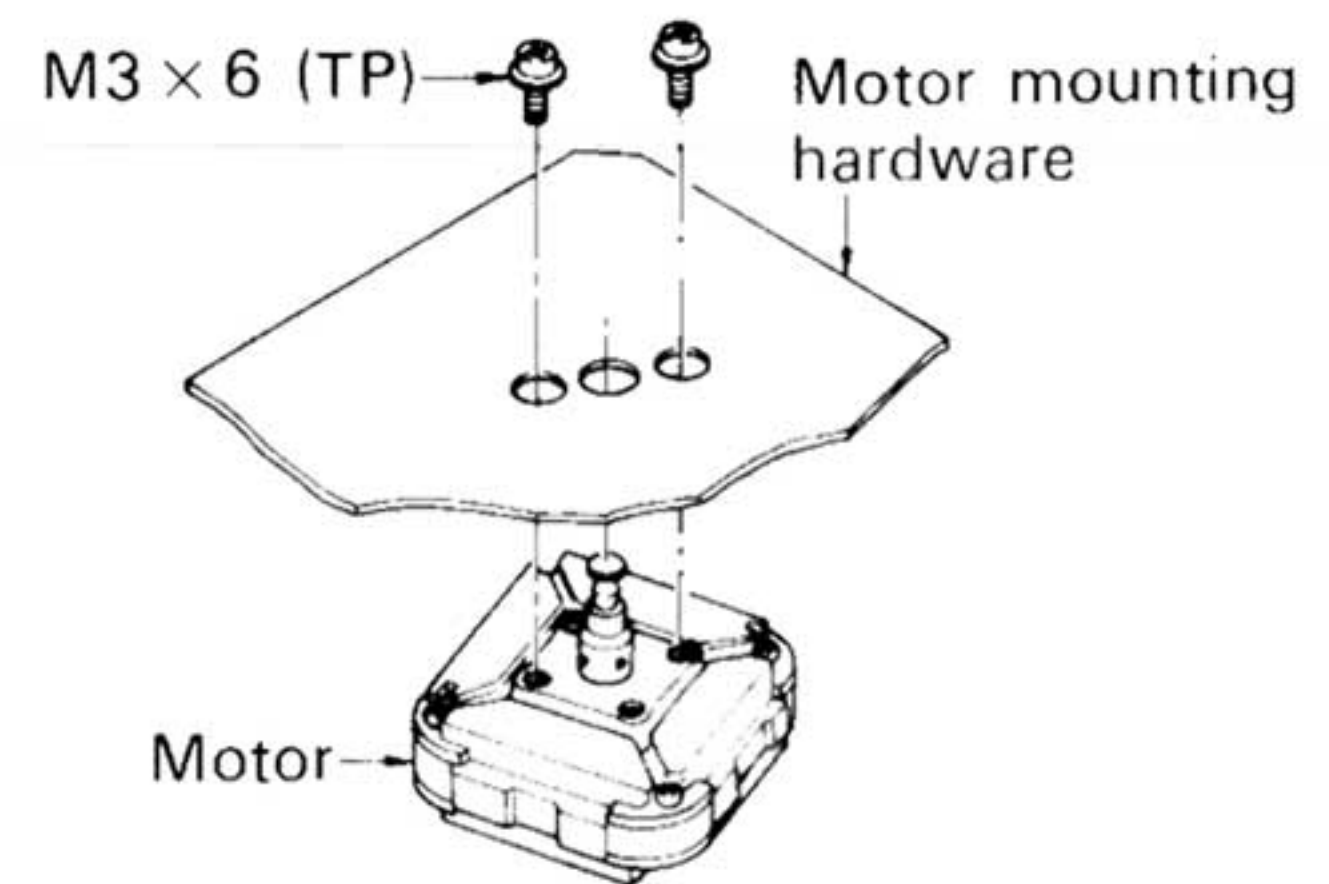
DISASSEMBLY FOR REPAIR



Remove turntable platter

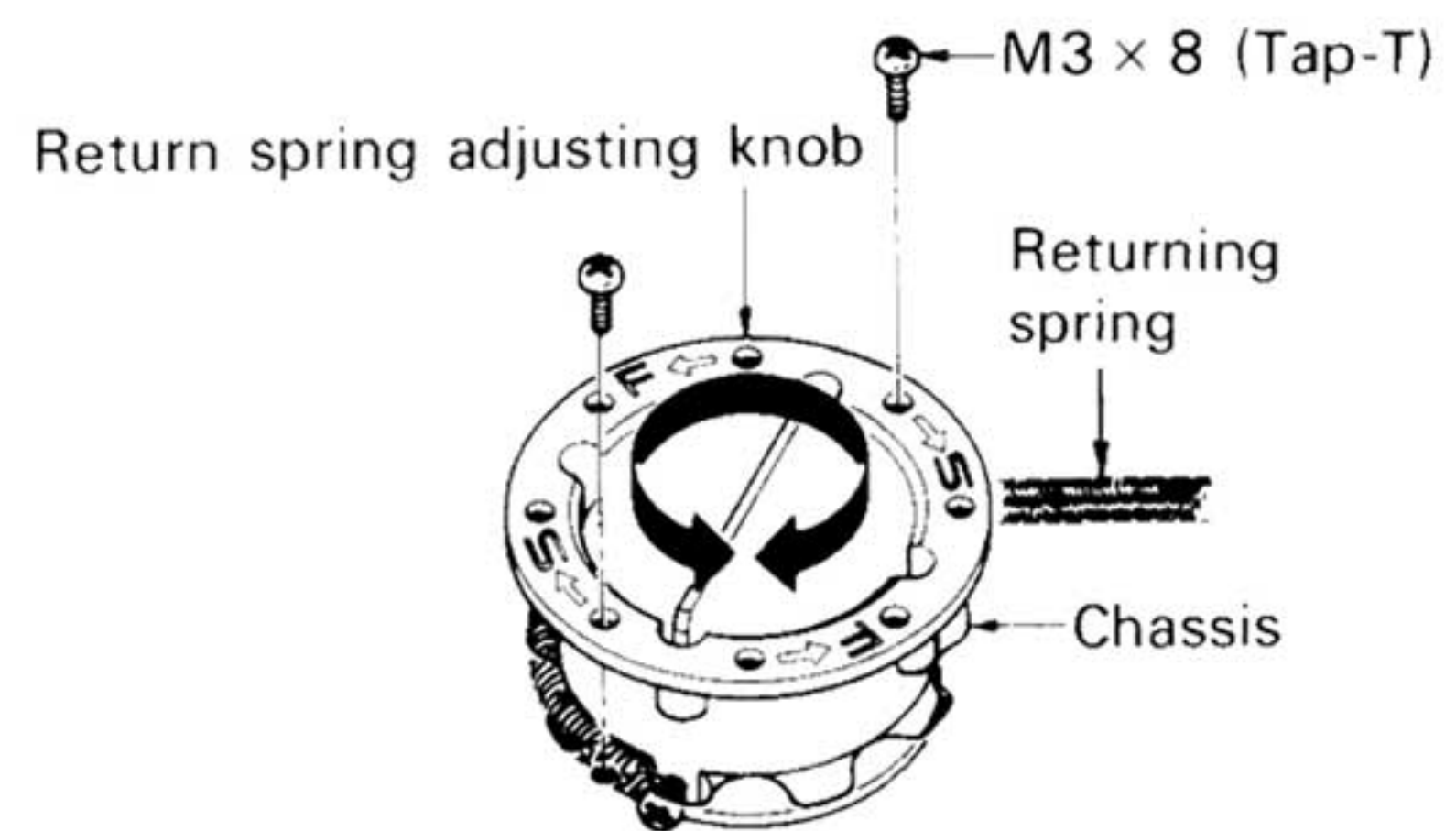
MOTOR

When removing motor, unscrew the screw fixing the motor to motor mounting hardware.



ADJUSTING THE AUTO-RETURN SPEED OF THE TONEARM

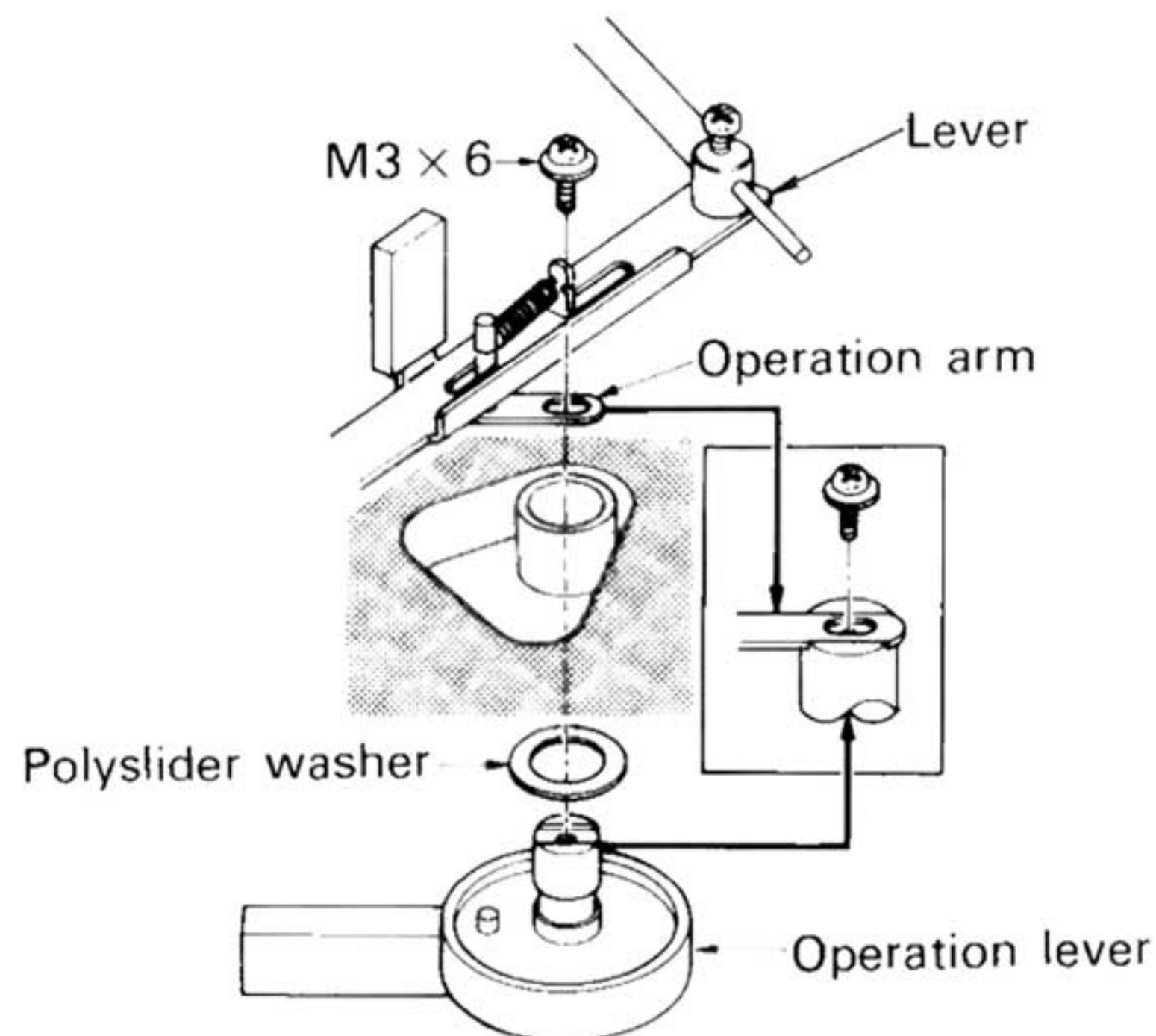
The Auto-Return speed of the Tonearm may become too fast or slow when the Turntable is used under extreme temperature conditions. When the Turntable Platter is removed, the speed of this action is adjustable as follows. First, unscrew the screw fixing adjusting knob and pull it upward then settle it to proper positions and tighten the screw securely.



Remove bottom case

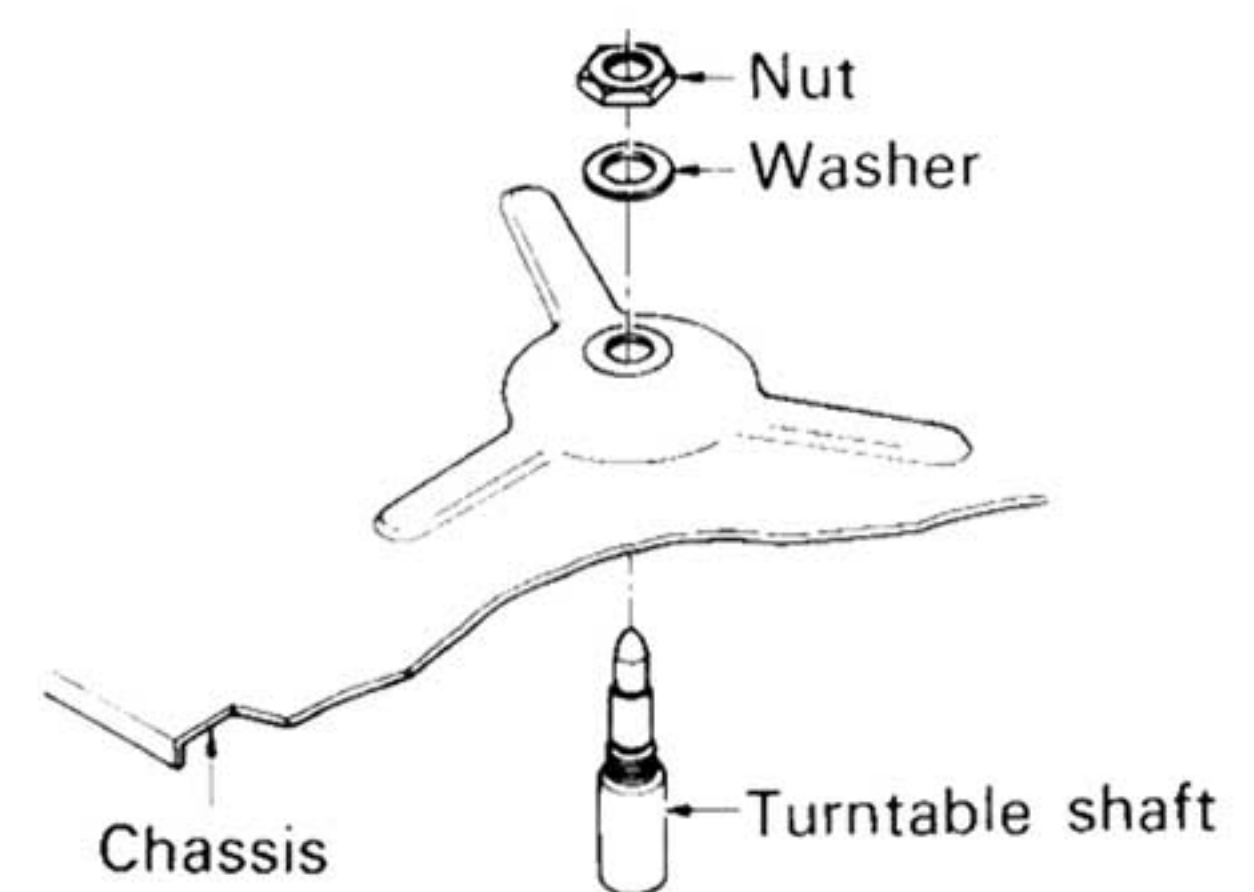
OPERATION LEVER

When removing the operation lever, unscrew the screw fixing operation lever to operation arm. When reattaching the operation lever to operation arm, the operation arm should be attached in the slit of operation lever.



TURNTABLE SHAFT

When removing turntable shaft, remove nut and washer.

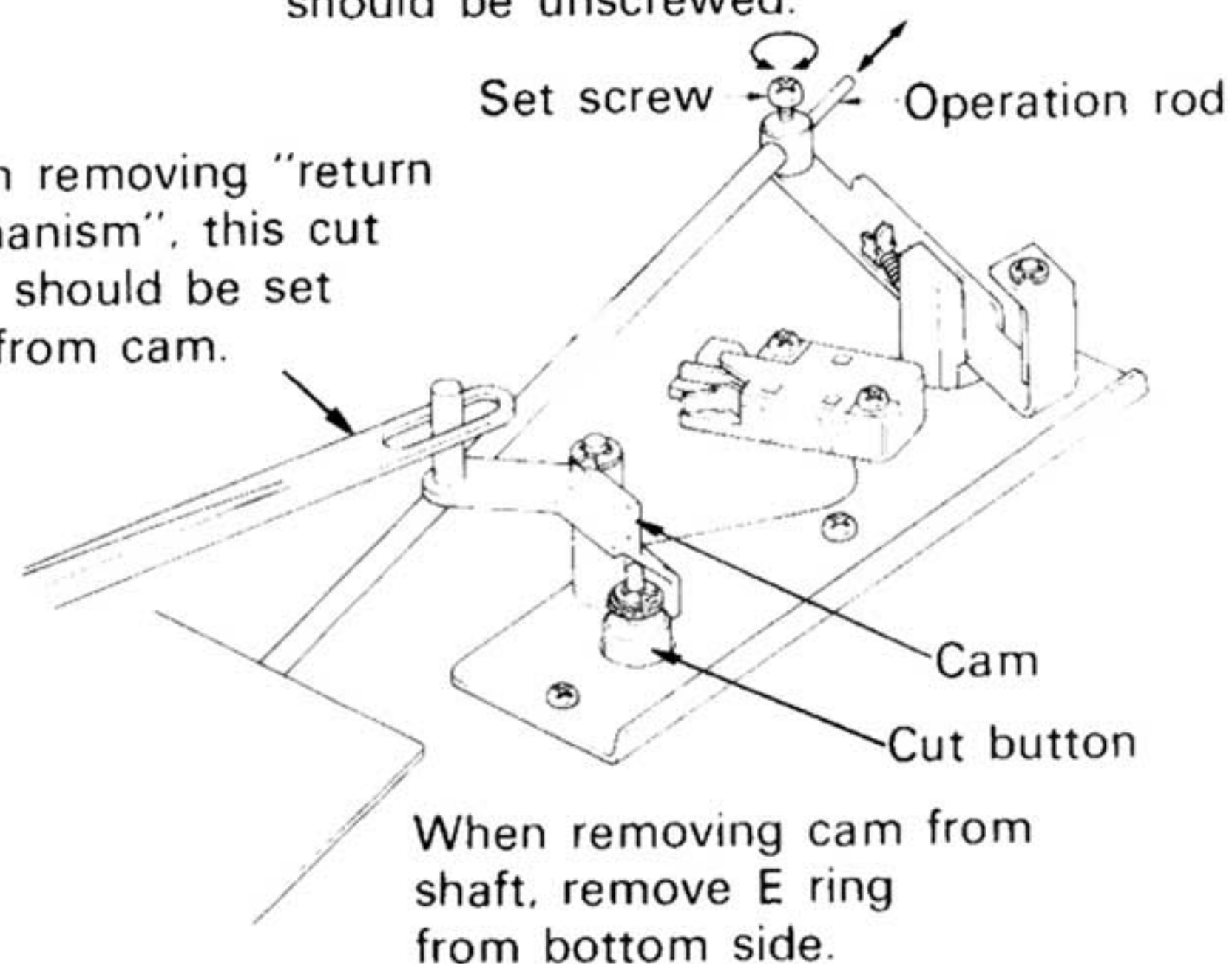


CUT BUTTON

When removing the cut button, refer to removal of pushbutton.

When removing "return mechanism", this screw should be unscrewed.

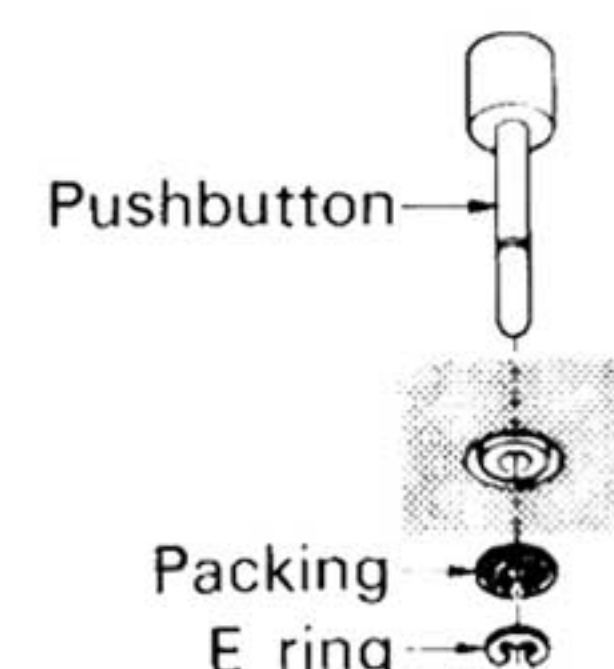
When removing "return mechanism", this cut lever should be set free from cam.



When removing cam from shaft, remove E ring from bottom side.

PUSHBUTTON

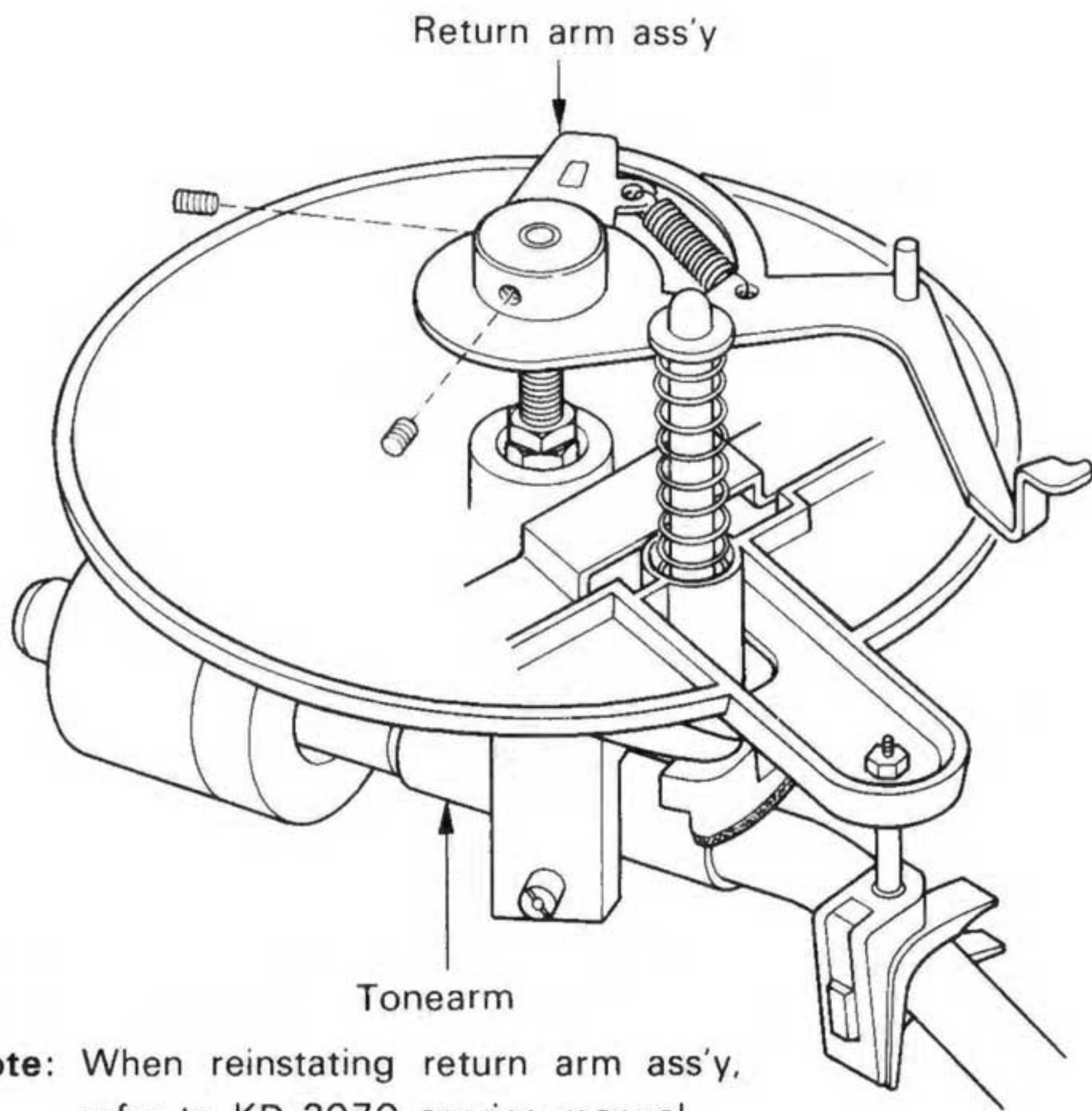
When removing pushbutton, speed selector and cut, remove the E ring and packing and then pull out the pushbutton upward.



DISASSEMBLY FOR REPAIR

RETURN ARM ASS'Y

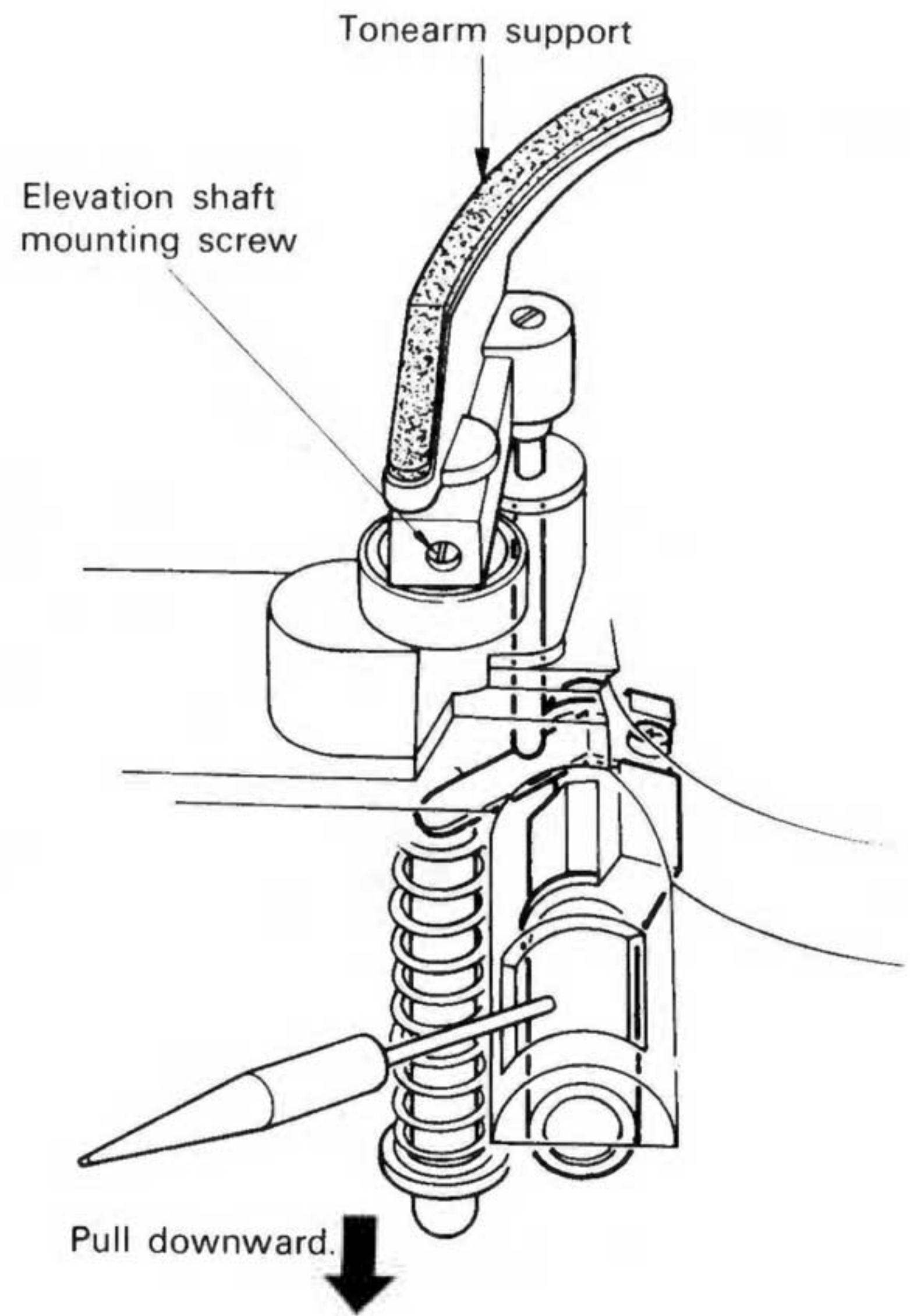
The return arm is fixed by 2 set screws.



Note: When reinstating return arm ass'y, refer to KD-3070 service manual.

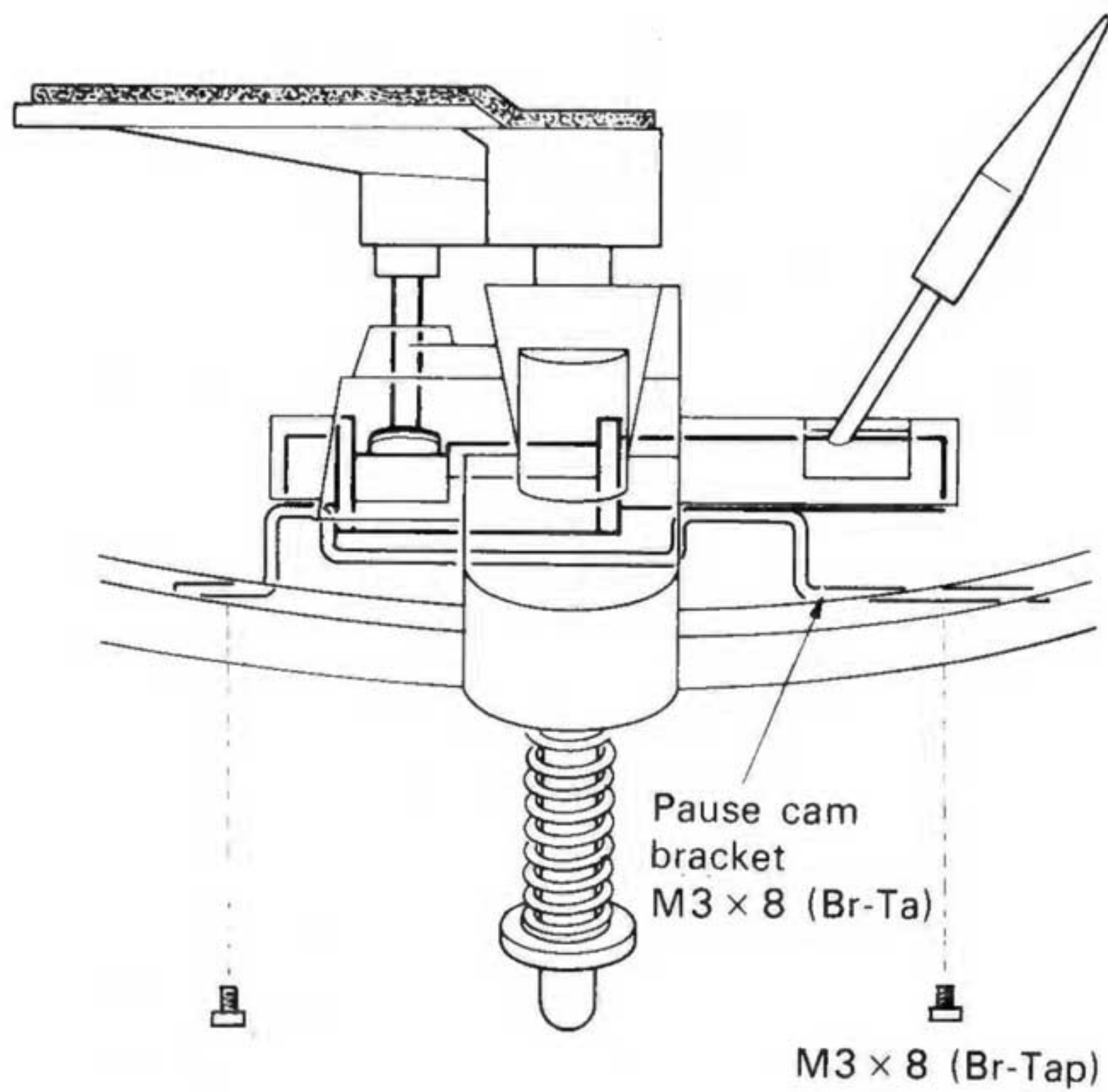
ELEVATION SHAFT

Remove the screw holding the elevation shaft on the tonearm support, then remove the elevation shaft from the bottom side.



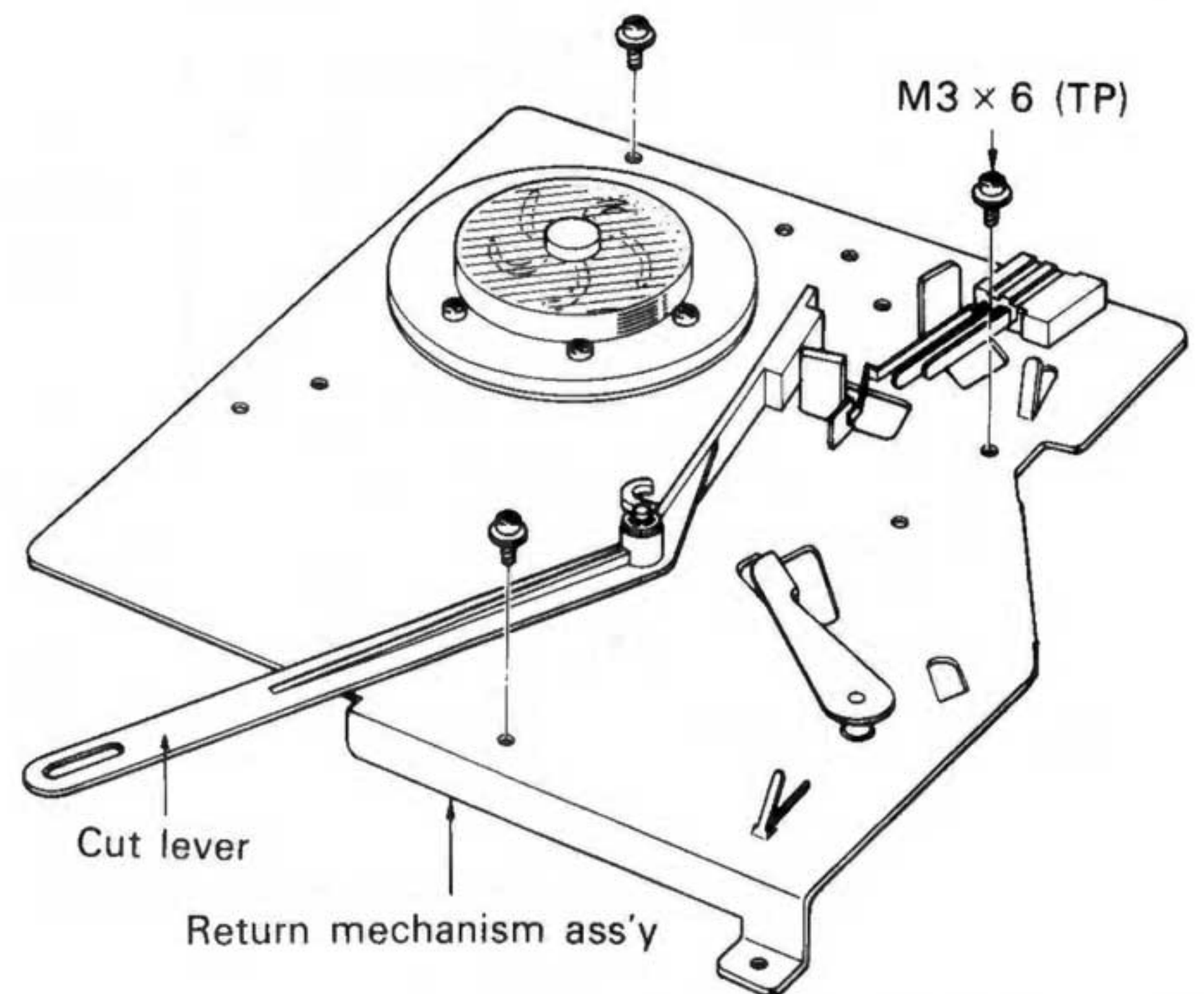
PAUSE CAM

The pause cam is supported by the pause cam bracket which is fixed by 2 screws.



RETURN MECHANISM ASS'Y

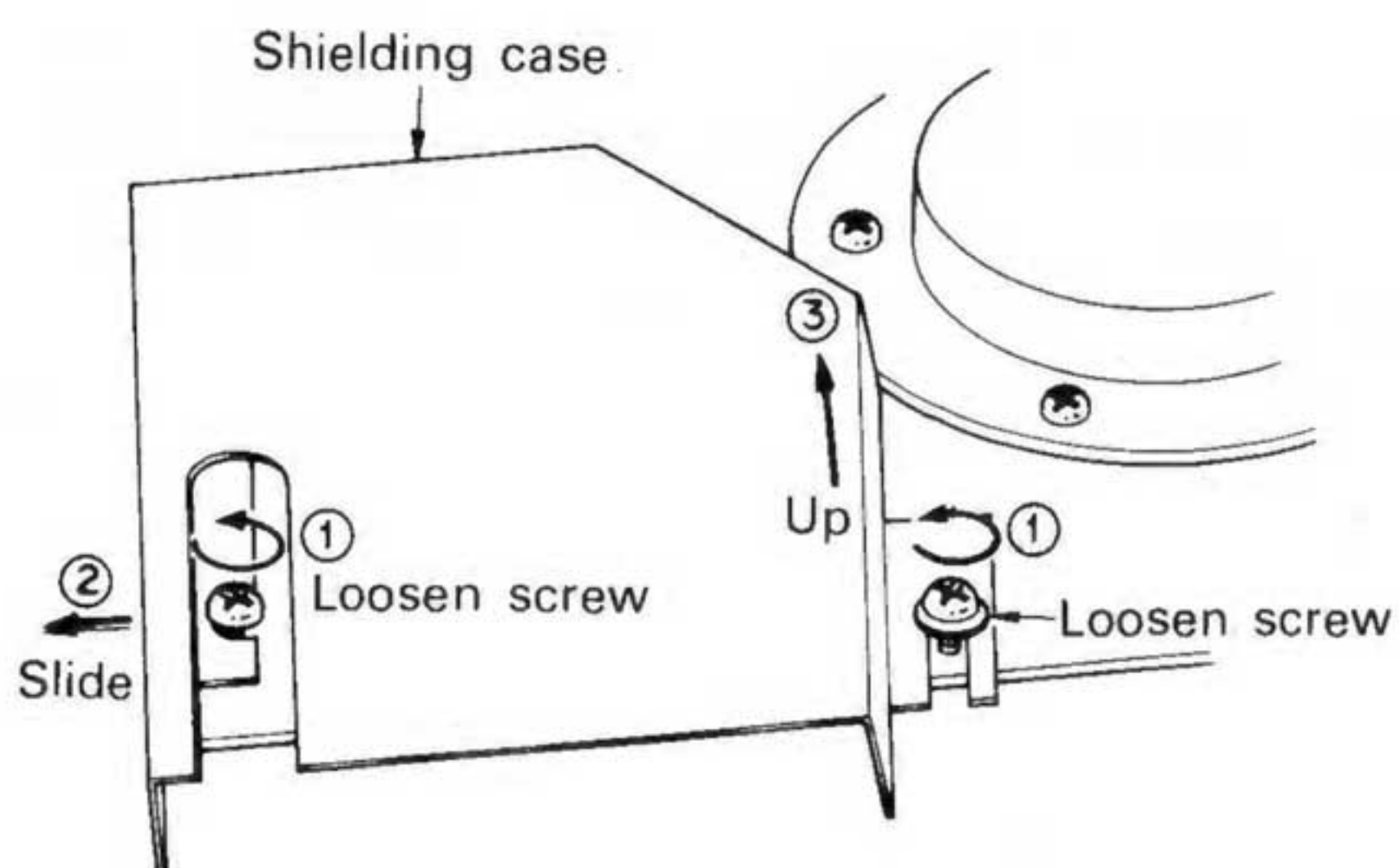
Disengage the operation rod and remove the cam from the cut lever. Next, remove the 3 screws holding the return mechanism ass'y.



Note: Do not pull the return spring excessively.

SHIELDING CASE

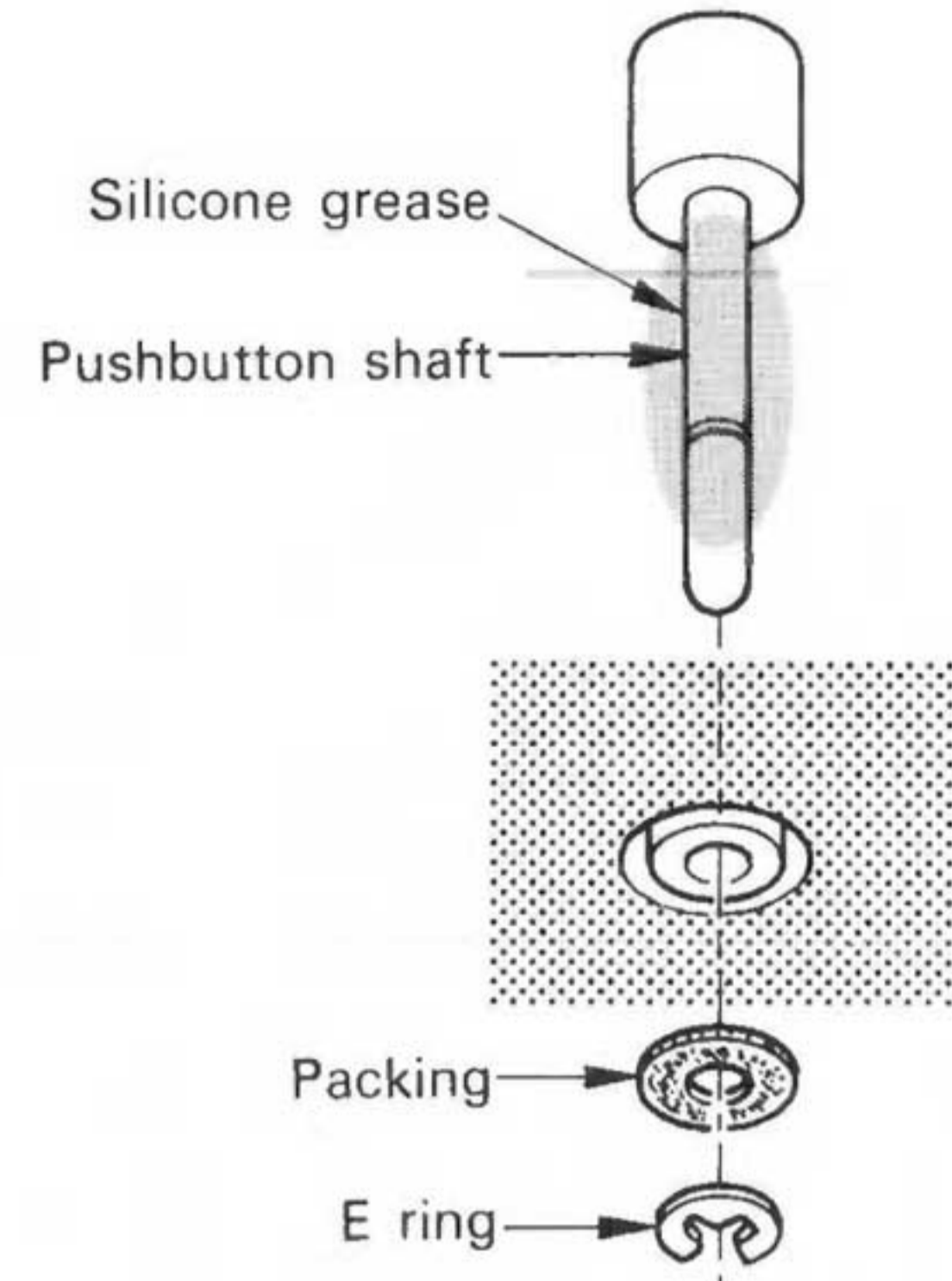
When removing shielding case, loosen screws ① and slide the edge of shielding case ②. Then lift it up.



LUBRICATIONS

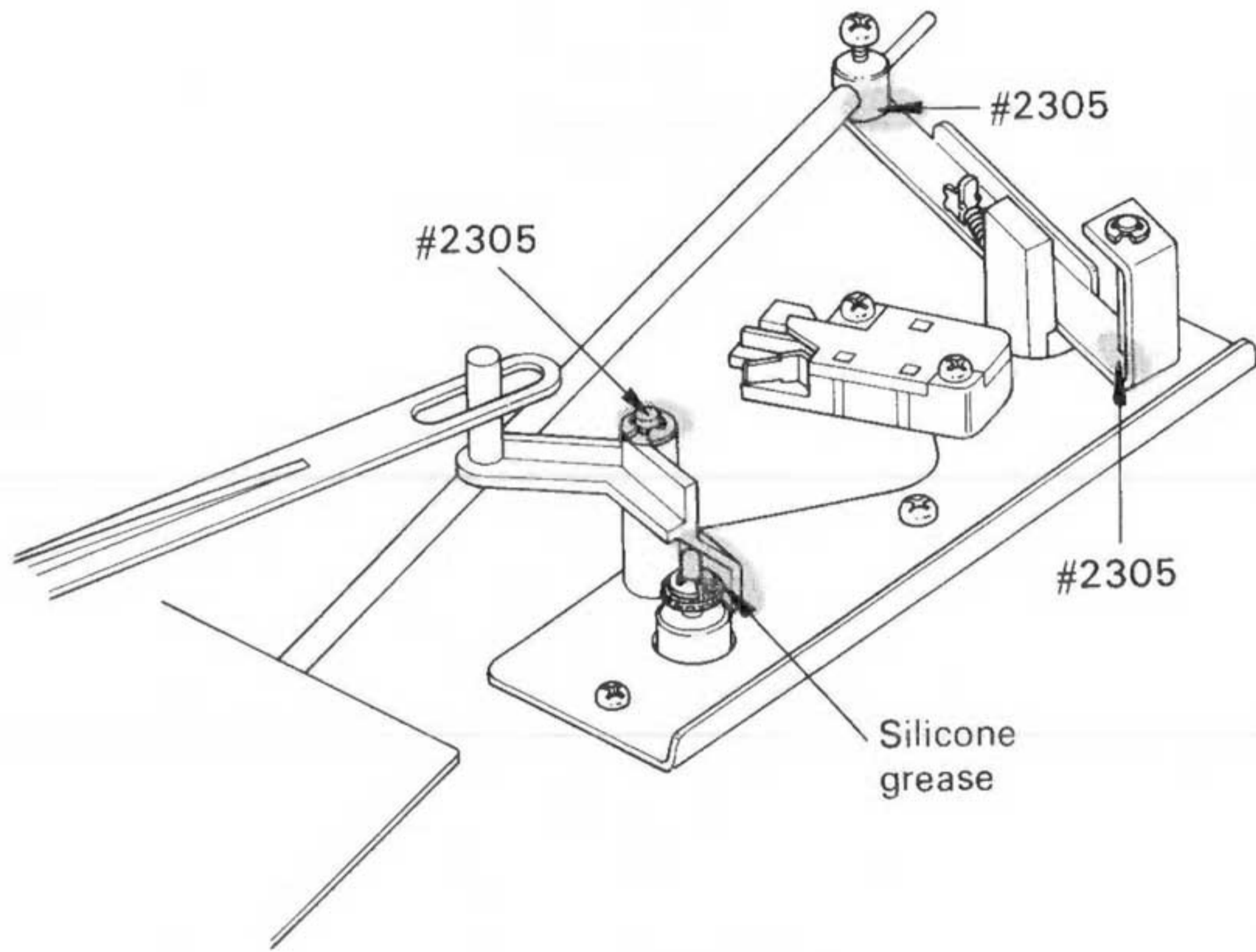
NOTE: Lubrication for "return mechanism and pause/lifter mechanism is described in KD-3070 service manual.

PUSHBUTTON



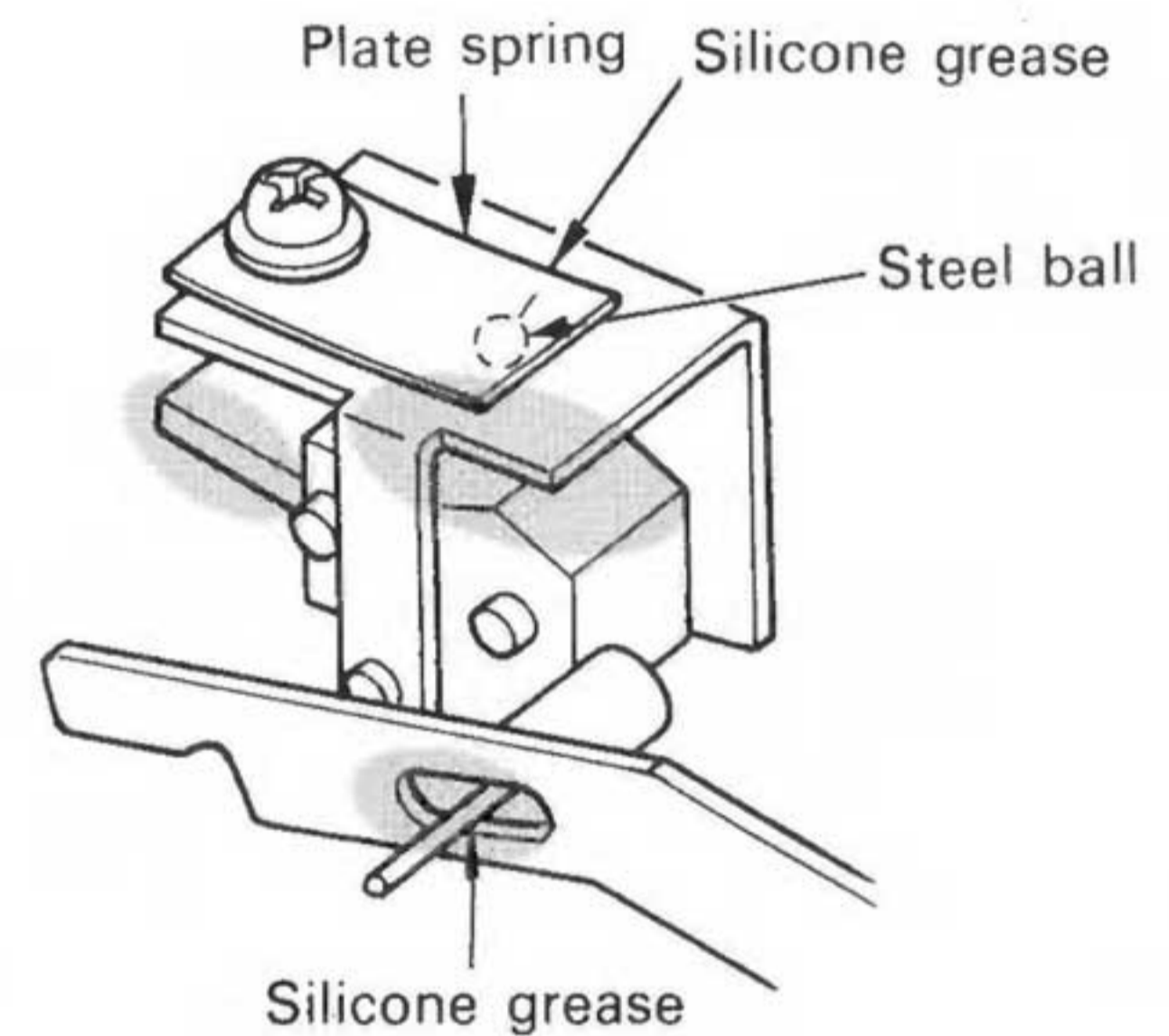
CAUTION: When lubricating silicone grease to pushbutton shaft, the packing should not be stained with silicone grease.

OPERATION MECHANISM



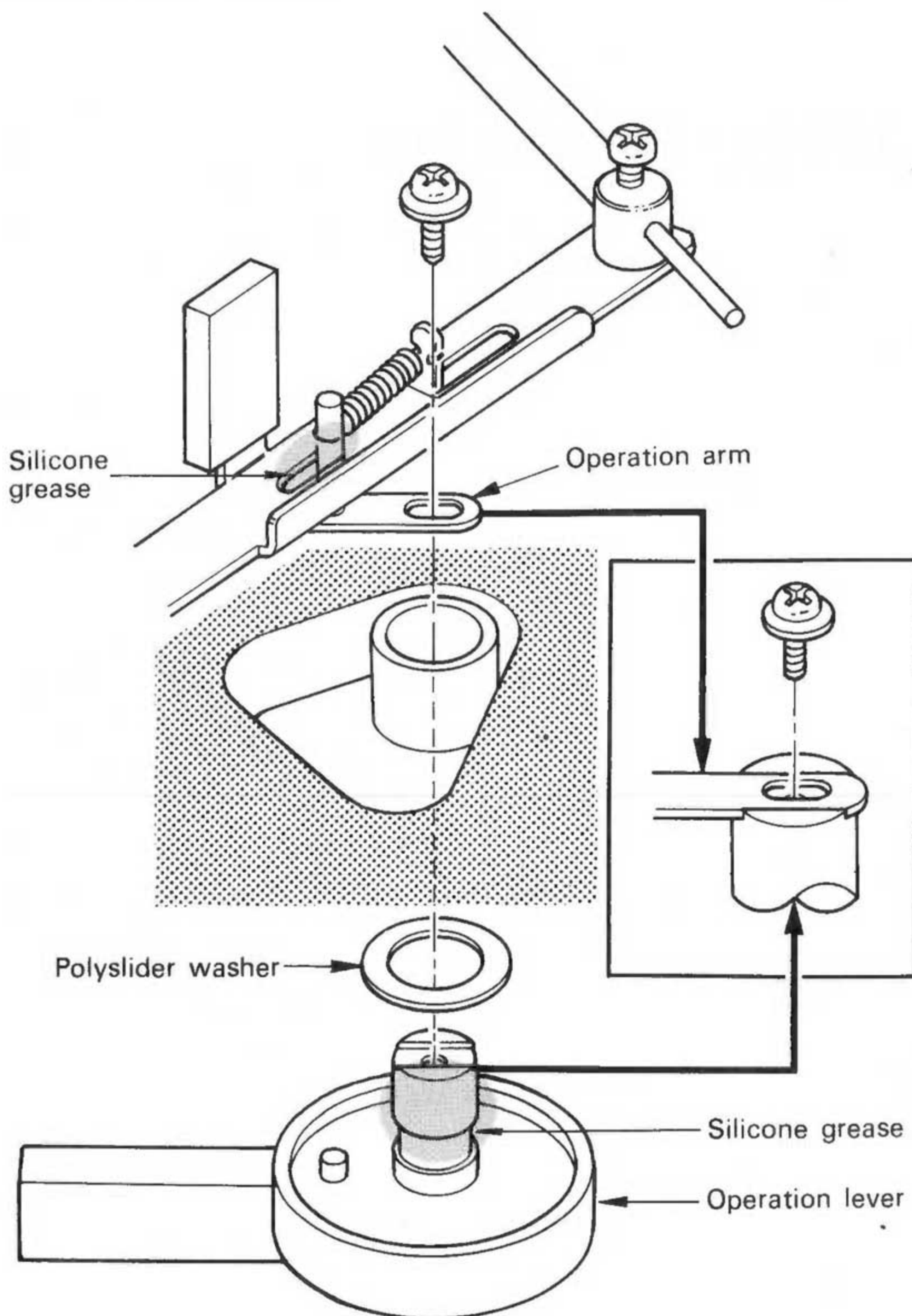
< BOTTOM VIEW >

CHANGE CAM



< BOTTOM VIEW >

OPERATION LEVER



< BOTTOM VIEW >

Kind of oil	Parts No.
Silicone grease	W01-9990-00
Silicone oil (#300,000)	W01-9991-00
DAPHNE #2305	W01-9995-09
LUBRI PLATE ARO grease	W01-9996-09
Silicone oil (#30,000)	W01-9998-09

NOTE: To make the oil of #100,000, mix #30,000 oil with #300,000 oil at the rate of 3 : 1.

DESTINATIONS' PARTS LIST

☆ : New Parts

Ref. No.	U.S.A. (K)	Canada (P)	Australia (X)	Europe (W)	Scandinavia (L)	England (T)	South Africa (S)	Other Area (M)	Description
21	A03-0538-12	A03-0538-12	A03-0538-12	A03-0538-12	A03-0538-12	A03-0538-12	A03-0538-12	A03-0538-12	Turntable case ass'y ☆
104	B23-0004-04	—	—	—	—	B23-0004-04	—	—	Overhang gage
7	B43-0528-03	B43-0528-03	B43-0528-03	B43-0528-03	B43-0528-03	B43-0529-03	B43-0528-03	B43-0528-03	Turntable badge ☆
—	B46-0061-10	B46-0064-00	B46-0064-00	—	—	B46-0060-00	—	—	Warranty card
—	B50-2268-00	B50-2268-00	B50-2268-00	B50-2268-00	B50-2268-00	B50-2269-00	B50-2268-00	B50-2263-00	Instruction manual ☆
94	B59-0020-04	B59-0301-04	B59-0020-04	B59-0020-04	B59-0020-04	B59-0020-04	B59-0020-04	B59-0020-04	Shipping caution card
C1	C91-0302-05	C91-0024-05	C91-0309-05	—	—	—	C91-0309-05	C91-0309-05	Ceramic 0.047μF AC120V Ceramic 0.01μF DC2KV
43	—	—	D15-0162-04	D15-0162-04	D15-0162-04	D15-0162-04	D15-0162-04	D15-0162-04	Motor pulley 50 Hz
93	D15-0163-04	D15-0163-04	—	D15-0163-04	D15-0163-04	—	D15-0163-04	D15-0163-04	Motor pulley 60 Hz*
85	E30-1309-15	E30-1318-05	E30-1318-05	E30-1318-05	E30-1318-05	E30-1318-05	E30-1318-05	E30-1318-05	Slide switch stopper
84	E30-0181-05	E30-0181-05	E30-0185-05	E30-0459-05	E30-0459-05	E30-0587-05	E30-0587-05	E30-1317-15	Audio cord
81	G16-0322-03	G16-0320-03	G16-0320-03	G16-0320-03	G16-0320-03	G16-0320-03	G16-0320-03	G16-0320-03	Power cord
—	H01-2276-04	H01-2277-04	H01-2276-04	H01-2276-04	H01-2276-04	H01-2278-04	H01-2276-04	H01-2276-04	Turntable sheet ass'y ☆
—	H20-0382-04	H20-0382-04	H20-0382-04	H20-0382-04	H20-0382-04	H20-0382-04	H20-0382-04	H20-0382-04	Carton box ☆
—	H25-0029-04	H25-0029-04	H25-0029-04	H25-0029-04	H25-0029-04	H25-0029-04	H25-0029-04	H25-0159-04	Polyethylene cover
—	—	H25-0096-04	H25-0096-04	H25-0096-04	H25-0096-04	—	H25-0096-04	H25-0096-04	Polyethylene bag (shell and main weight)
91	—	—	—	J29-0308-04	J29-0308-04	—	J29-0308-04	J29-0308-04	Polyethylene bag (pulley and driver)
103	J42-0312-05	J42-0312-05	J42-0306-05	J42-0312-05	J42-0312-05	J42-0312-05	J42-0312-05	J42-0312-05	Slide switch mounting plate ☆
92	—	—	—	N09-0078-05	N09-0078-05	—	N09-0078-05	N09-0078-05	Cord bushing
18	N09-0250-05	—	—	—	—	N09-0250-05	—	—	Polycarbonate screw
20	N09-0251-05	N09-0592-05	N09-0265-05	N09-0265-05	N09-0265-05	N09-0251-05	N09-0265-05	N09-0265-05	Cartridge mounting screw (M2.6 x 10)
19	N14-0108-05	N14-0108-05	—	—	—	N14-0108-05	—	—	Cartridge mounting screw (M2.6 x 16)
102	N19-0267-05	N19-0516-05	N19-0267-05	N19-0267-05	N19-0267-05	N19-0267-05	N19-0267-05	N19-0267-05	Cartridge mounting nut
R1	RC05GF2H120K	RC05GF2H120K	RC05GF2H120K	RC05GF2H120K	RC05GF2H120K	RC05GF2H120K	RC05GF2H120K	RC05GF2H120K	Cartridge mounting washer
90	—	—	—	S31-2001-05	S31-2001-05	—	S31-2001-05	S31-2001-05	TP tapping (M3 x 12) x 2
17	—	T21-0057-05	T21-0051-05	T21-0051-05	T21-0051-05	—	T21-0051-05	T21-0051-05	Carbon 12Ω ±10% 1/2W
—	—	—	—	W01-0035-00	W01-0035-00	—	W01-0035-00	W01-0035-00	Slide switch (power voltage)
82	X27-1300-01	X27-1300-03	X27-1300-05	X27-1300-02	X27-1300-02	X27-1300-04	X27-1300-00	X27-1300-00	Cartridge
									Small driver
									Power supply PC board ass'y ☆

* 60 Hz motor pulley has a slit under the setscrew.

EXPLODED VIEW PARTS LIST

☆ : New Parts ★ : Refer to Destinations' Parts List.

Ref. No.	Parts No.	Description	Remarks
1	J91-0112-08	Tonearm	☆ 2B
2	D91-0112-08	Weight ass'y	1B
3	J19-1255-08	Tonearm base	☆ 2B
4	N77-4010-45	Tonearm mounting screw	2B
5	J19-1256-08	Inside force canceller stand	☆ 2B
6	D91-0045-08	Canceller weight ass'y	1B
7	★	Turntable case badge	☆ 2A
8	D39-0070-08	Tonearm support ass'y	2B
9	D39-0072-08	Tonearm rest ass'y	2B
10	D40-0435-08	Pause ass'y	2B
11	N09-0287-05	Tap tight screw with flat washer	3B
12	N19-0003-04	Polyslider washer	2A
13	F19-0504-04	Hole cap	2B
14	D21-0639-08	Elevation shaft ass'y	☆ 2B
15	G01-0647-08	Compression spring	2B
16	J92-0042-05	Head shell	☆ 2B
17	★	Cartridge	2B
18	★	Cartridge mounting screw	2B
19	★	Cartridge mounting washer	2B
20	★	Cartridge mounting nut	☆ 2B
21	★	Turntable case ass'y	☆ 2A
22	J50-0305-05	Hinge	1A, 2B
23	K29-0645-04	Pushbutton (A)	☆ 1A
24	B07-0529-04	Pushbutton base (A)	☆ 1A
25	G53-0301-04	Packing	☆ 1A, 1B
26	K29-0646-04	Pushbutton (B) ass'y	☆ 2B
27	D10-0530-04	Changing bar ass'y	☆ 3A
28	—	—	—
29	A11-0323-04	Chassis calked ass'y	☆ 2B
30	G01-0674-04	Tension spring	☆ 2A
31	D12-0204-04	Cam	2B
32	S50-1304-05	Micro switch	2A
33	—	—	—
34	D10-0532-04	Lever	☆ 2A
35	D23-0513-04	Rod retainer	☆ 2A
36	N09-0821-04	Polycarbonate screw	☆ 2A
37	A21-0661-04	Operation panel	☆ 2A
38	D10-0533-05	Operation lever	☆ 2A
39	D10-0534-04	Operation arm	☆ 2A
40	T41-0112-05	Motor	☆ 3A
41	G13-0105-04	Cushion rubber	3A
42	N19-0186-14	Flat head washer	3A
43	★	Motor pulley	3A
44	D12-0211-04	Change cam	☆ 2A
45	G02-0070-04	Plate spring	3A
46	K29-0649-03	Return spring adjusting knob	☆ 2B
47	D40-0432-22	Return mechanism ass'y	3B
48	A11-0314-03	Return mechanism chassis calked ass'y	3B
49	D12-0083-34	Center cam calked ass'y	3B
50	D12-0073-14	Cross cam	2B
51	G01-0282-14	Cross cam spring	2B
52	G01-0608-04	Tension spring	3B
53	D10-0244-14	Reset arm	2B
54	D10-0422-14	Detection operating arm ass'y	3B
55	D11-0184-25	Center arm	3B
56	G01-0291-04	Tension spring	3B
57	D19-0046-04	Control runner	3B
58	F07-0362-14	Oil pan	3B

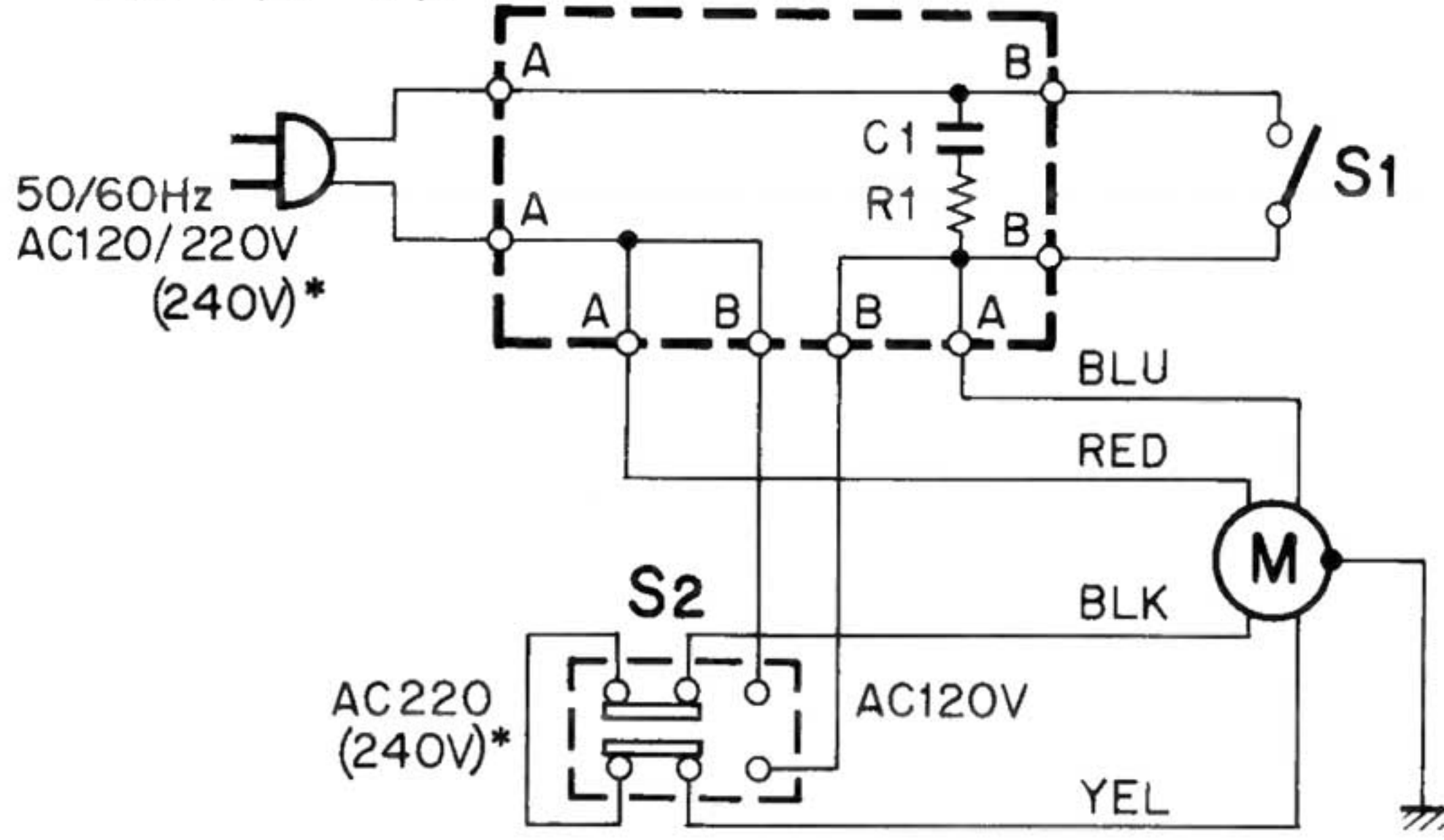
Ref. No.	Parts No.	Description	Remarks
59	G50-0014-04	Packing	3B
60	G53-0041-05	Mini-packing	3B
61	D10-0466-14	Detection operating arm	3B
62	J31-0402-04	Sleeve	3B
63	N72-2604-46	Setscrew	3B
64	S46-2013-13	Muting switch	3B
65	D10-0463-04	Operation rod	3B
66	D10-0459-03	Cut lever	3B
67	K29-0229-15	Detection adjusting knob	2A
68	D23-0140-24	Turntable shaft retainer ass'y	3B
69	N14-0048-14	Nut	2A
70	N19-0142-04	Washer	2A
71	D10-0225-34	Guide	3A
72	A40-0521-02	Bottom case	☆ 3A
73	J02-0318-05	Insulator	3A
74	D02-0025-05	Turntable platter	☆ 1A
75	D19-0032-04	Trip pin	1A
76	D16-0057-03	Belt	1A
77	J69-0019-04	Ribbon tape	1A
78	A53-0207-02	Turntable cover	1B
79	J50-0307-05	Hinge (1)	1B
80	J50-0308-05	Hinge (2)	1B
81	★	Turntable sheet ass'y	☆ 1A
82	★	Power supply PC board ass'y	☆ 2A
83	D39-0041-05	PC support	2A
84	★	Power cord	1B
85	★	Audio cord	1B
86	J42-0312-05	Cord bushing (A)	1B
87	J61-0044-15	Nylon clasper	1B
88	J19-0306-05	Lead clasper	2A
89	J11-0021-05	V shaped clasper	3A
90	★	Slide switch	2A
91	★	Slide SW mounting plate	☆ 2A
92	★	Side SW mounting screw	2A
93	★	Slide SW stopper	2A
94	★	Shipping caution card	1A
95	F11-0602-04	Shielding case	3B
96	J61-0054-05	Vinyl tie	1B
97	W01-0057-14	EP adapter	1A
98	N77-3004-46	Set screw	2B
99	D10-0492-04	Return arm ass'y	2B
100	G01-0141-04	Tension spring (B)	2B
101	G01-0675-04	Conical spring	2B
102	★	TP tapping screw	1B
103	★	Cord bushing	1B
104	★	Overhand gage	1A
—	N08-0403-05	Dress screw set	—

When ordering screw and nut, refer to screw/nut manual issued by KENWOOD.

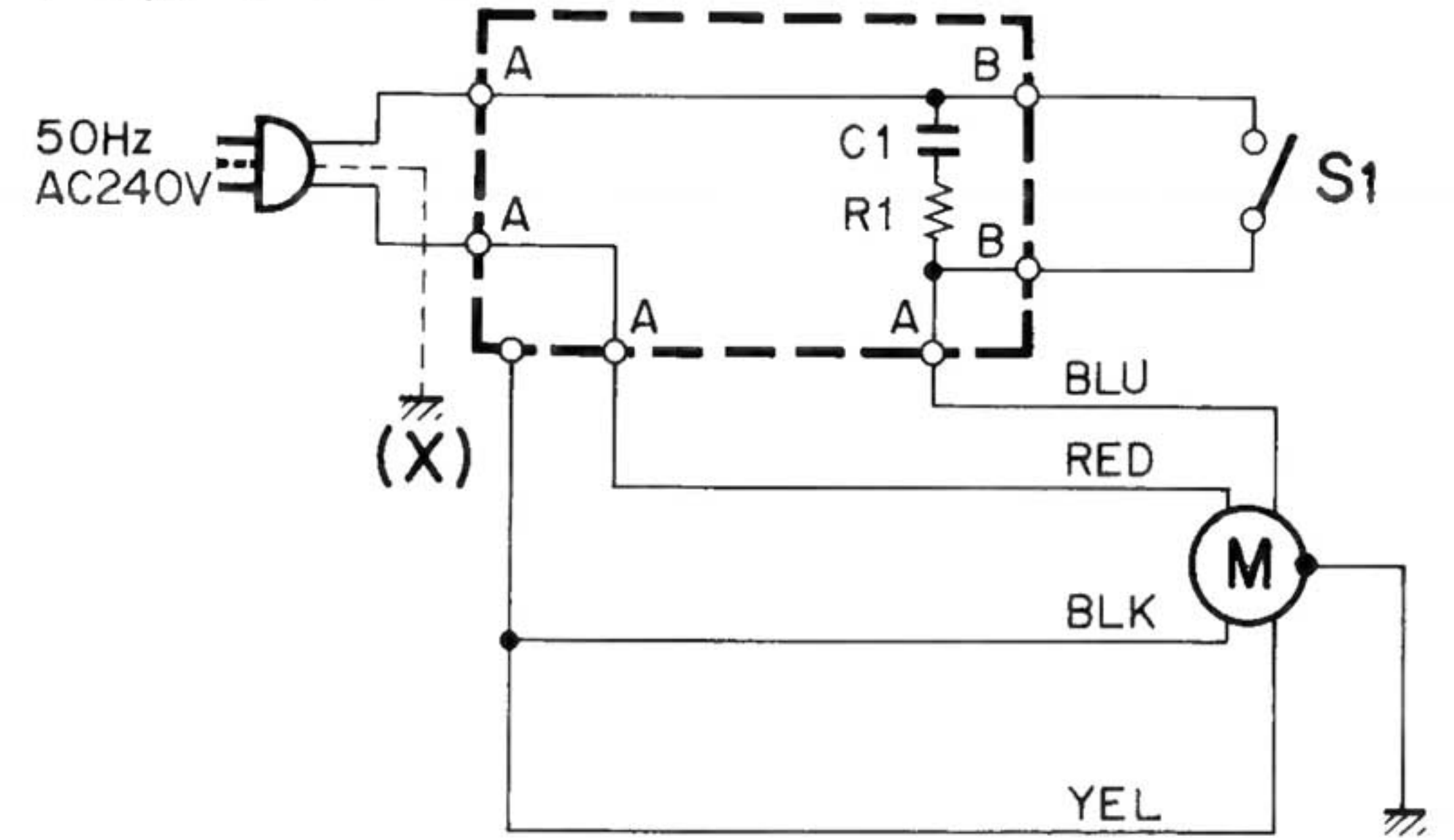
SCHEMATIC DIAGRAM/PACKING

SCHEMATIC DIAGRAM

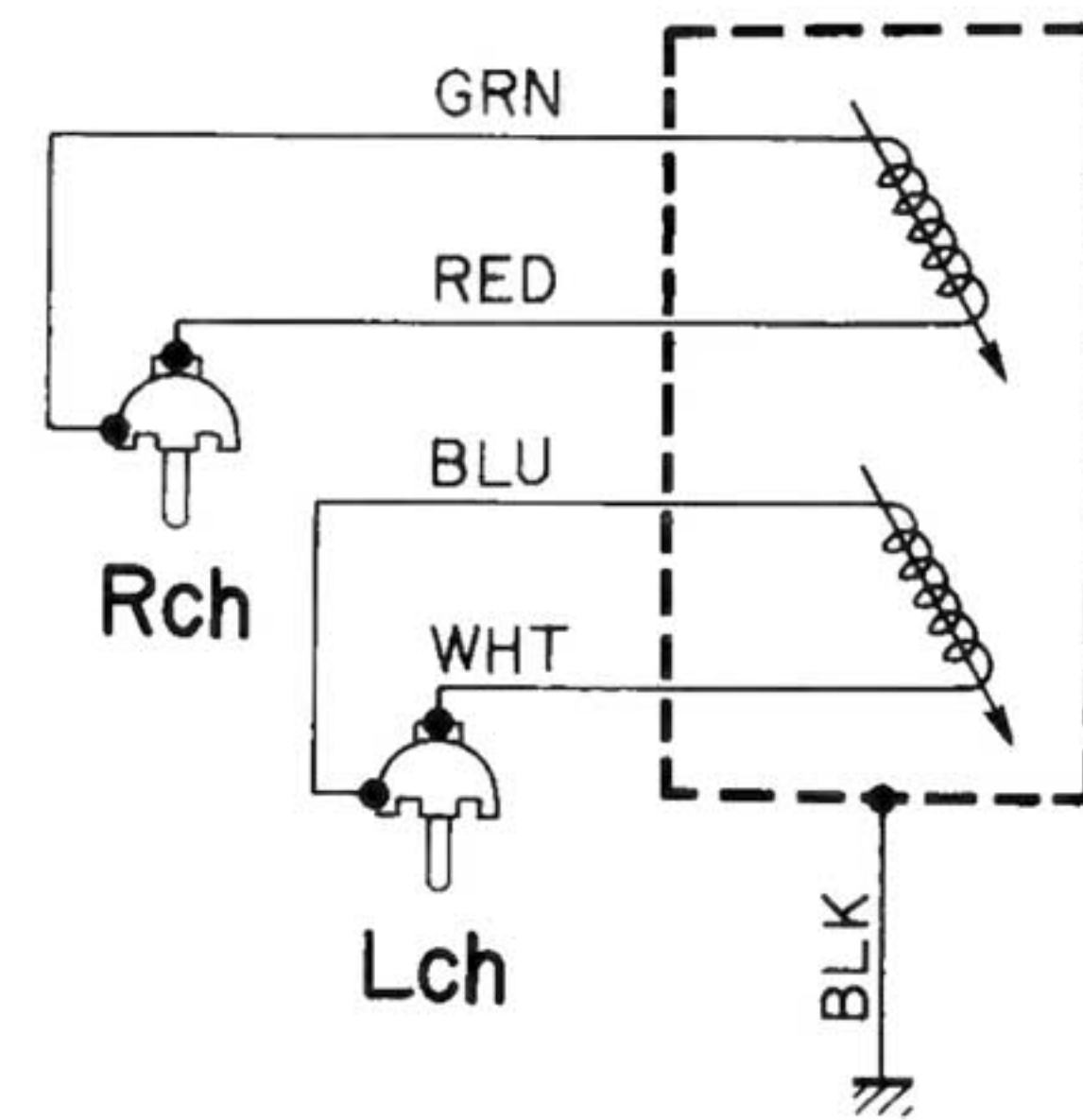
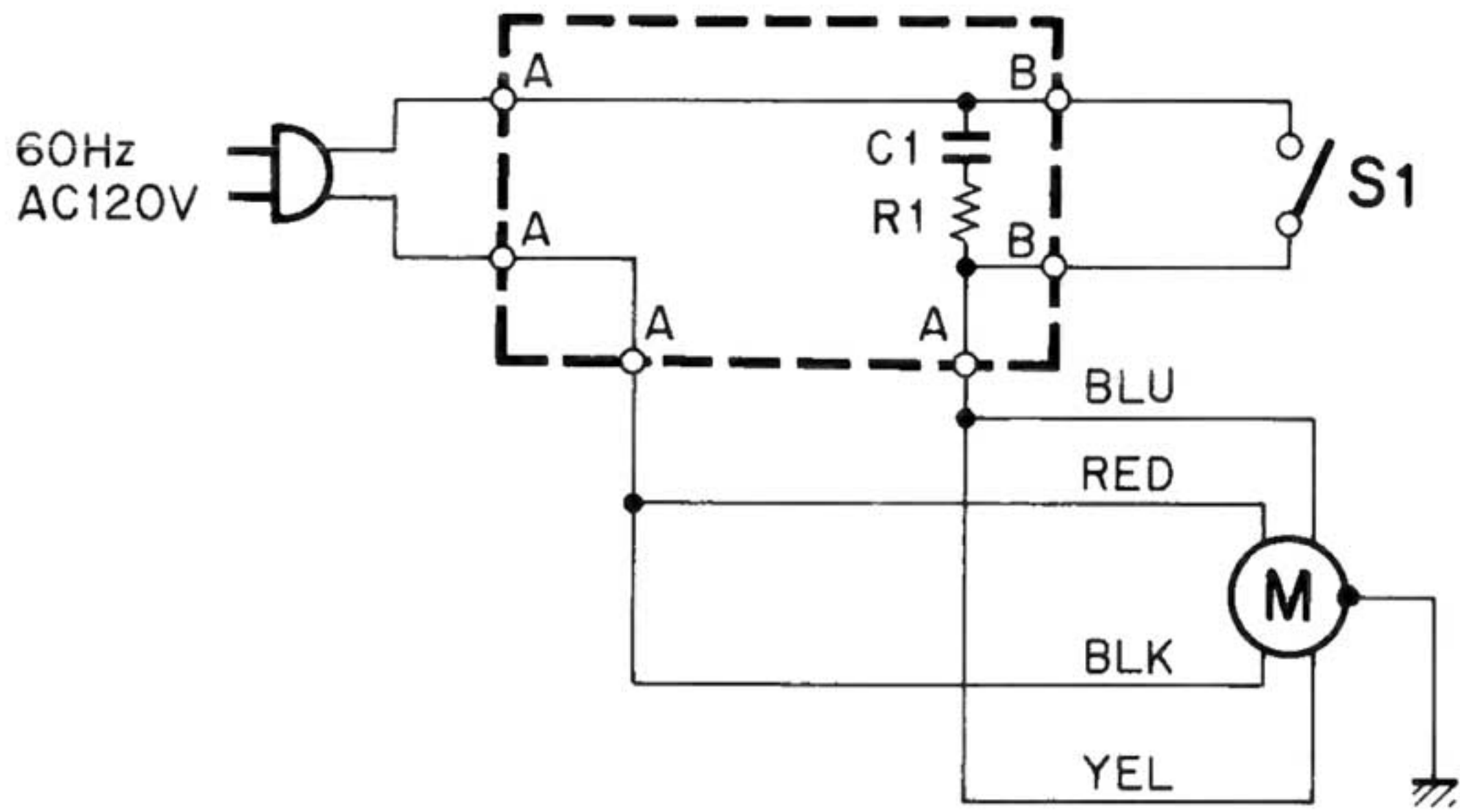
(M),(S),(W),(L) TYPE



(T),(X) TYPE

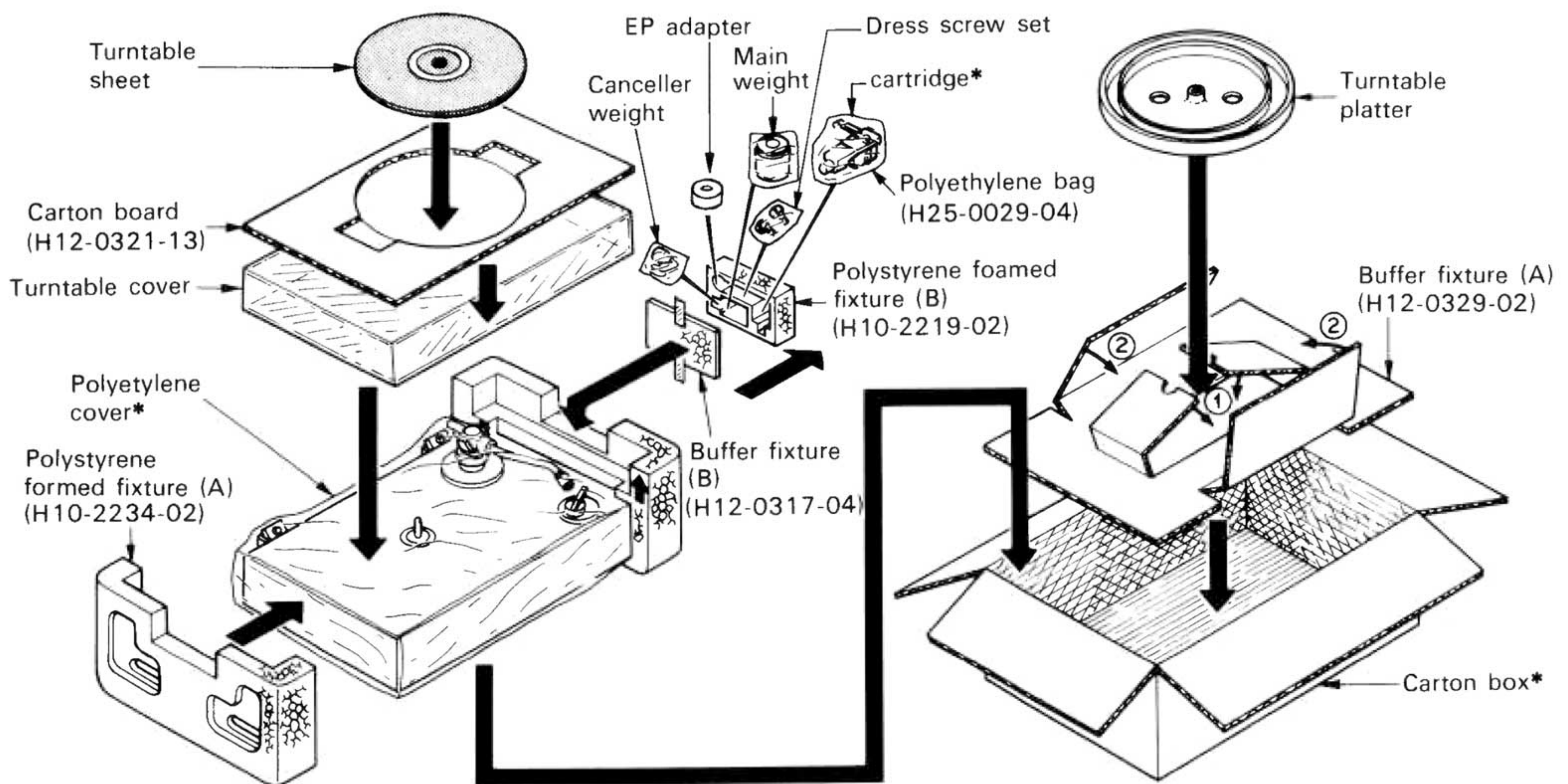


(K),(P) TYPE



* Both M and S types are provided 240V instead of 220V.

PACKING



* Refer to Destinations' Parts List.

A product of
TRIO-KENWOOD CORPORATION

6-17, 3-chome, Aobadai, Meguro-ku, Tokyo 153, Japan

KENWOOD ELECTRONICS, INC.

1315 E. Watsoncenter Rd, Carson, California 90745
75 Seaview Drive, Secaucus, New Jersey 07094, U.S.A.

TRIO-KENWOOD ELECTRONICS, N.V.

Leuvensesteenweg 184 B-1930 Zaventem, Belgium

TRIO-KENWOOD ELECTRONICS GmbH

Rudolf-Braas-Str. 20, 6056 Heusenstamm, West Germany

TRIO-KENWOOD FRANCE S.A.

5, Boulevard Ney, 75018 Paris, France

TRIO-KENWOOD (AUSTRALIA) PTY. LTD.

30 Whiting St., Artarmon, N.S.W. 2064, Australia

KENWOOD & LEE ELECTRONICS, LTD.

Room 501, Wang Kee Building, 5th Floor, 34-37, Connaught Road, Central, Hong Kong

1978-2 PRINTED IN JAPAN B51-0500-00 (G) 3.607