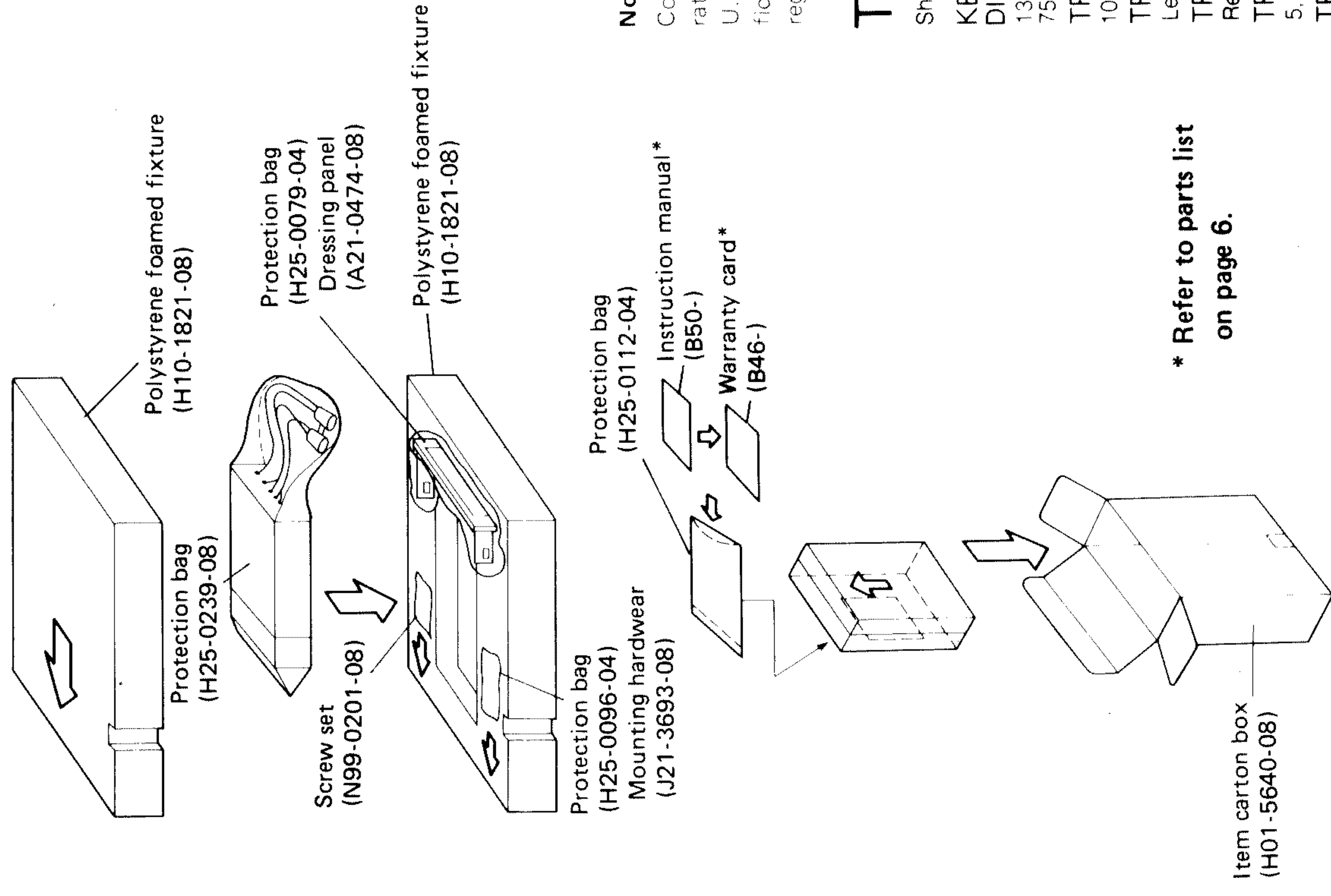


SPECIFICATIONS/PACKING

- Crossover Points**
 - Normal LOW
 - HIGH
 - X10 Hz Band LOW
 - HIGH
- Crossover Slope**
 - 12 dB/oct
 - 18 dB/oct (MONO, Low-output)
- Frequency Response**
 - 10 Hz to 100 kHz +3 dB
 - 0.005% (1 kHz)
 - 0.01% (20 Hz to 20 kHz)
- Signal to Noise Ratio**
 - 110 dB
 - Max. 3.0 V/500 ohms
 - ∞ to +10 dB Adjustable
- Output Level/Impedance**
 - 89 mm x 25 mm x 110 mm
 - 3-1/2" x 1" x 4-5/16"
- Dimensions (W x H x D)**
- Weight**
 - 420 g (0.9 lbs)

Note :
We follow a policy of continuous advancements in developments. For this reason specifications may be changed without notice.

PACKING



* Refer to parts list on page 6.

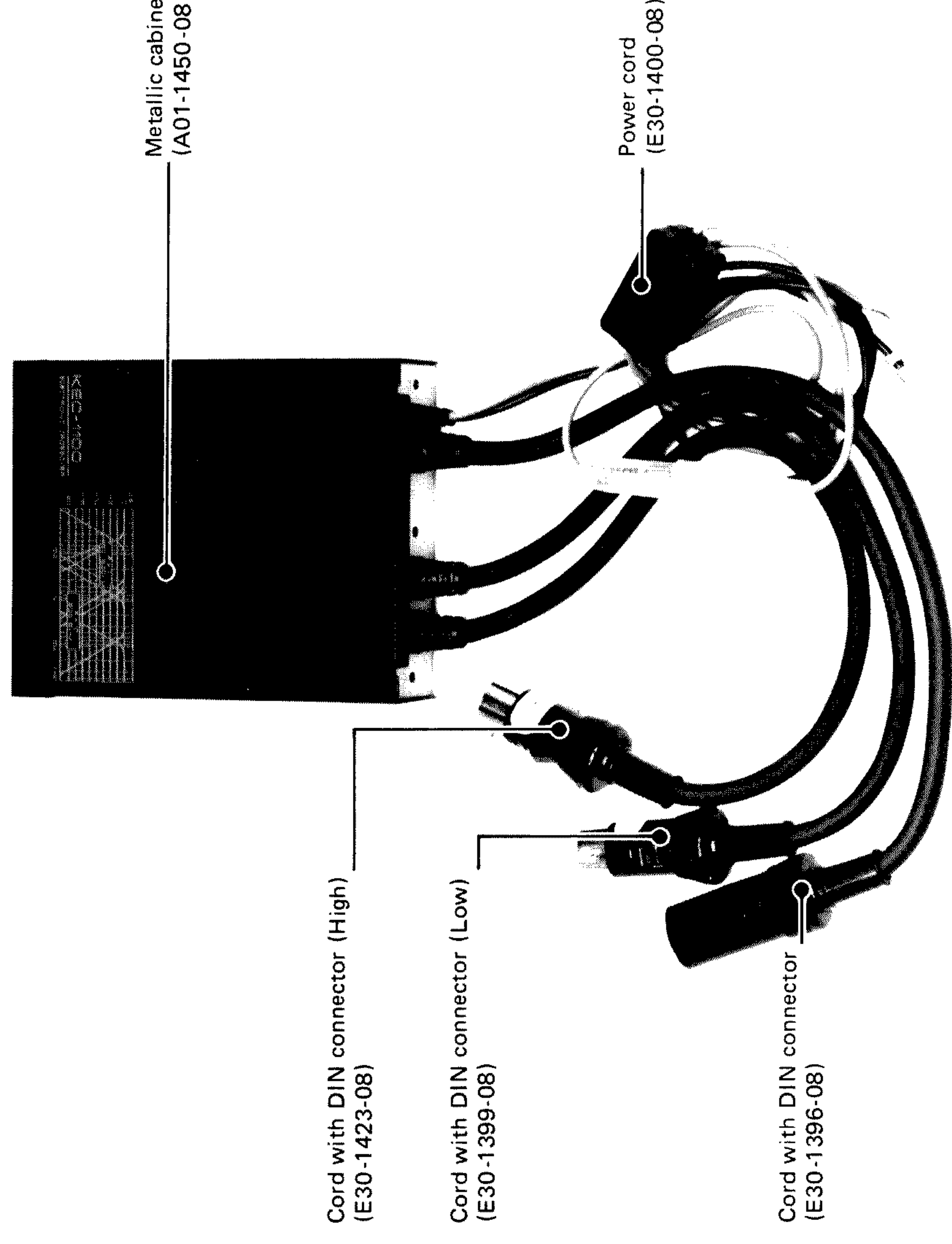
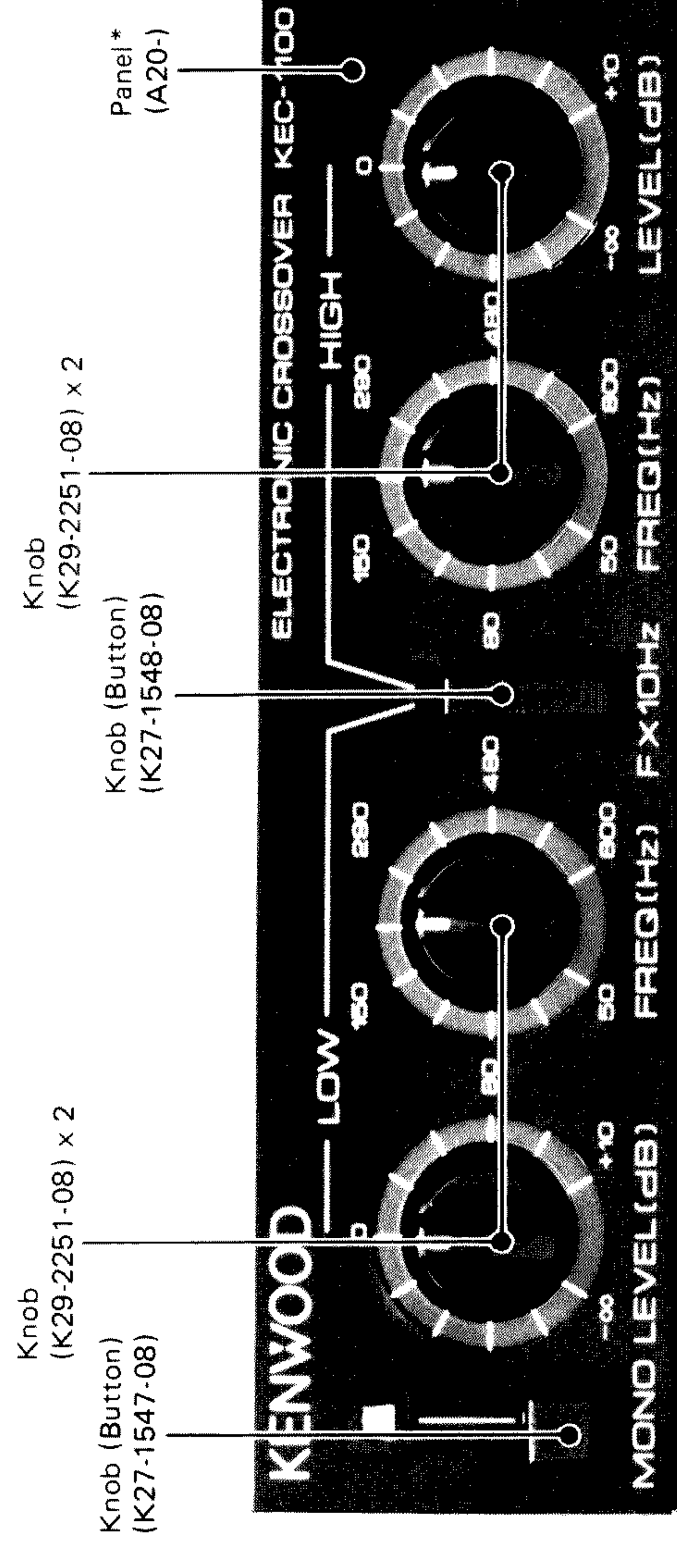
TRIO-KENWOOD CORPORATION

Shionogi, Shibuya Building, 17-5, 2-chome Shibuya, Shibuya-ku, Tokyo 150, Japan
KENWOOD ELECTRONICS
 DIVISION OF KENWOOD U.S.A. CORPORATION
 1315 E. Watsoncenter Rd., Carson, California 90745, U.S.A.
 75 Seaview Drive, Secaucus, New Jersey 07094, U.S.A.
TRIO-KENWOOD CANADA INC.
 1070 Jayson Court, Mississauga, Ontario, Canada L4W 2V5
TRIO-KENWOOD ELECTRONICS, N.V.
 Leuvensesteenweg 504 B-1930 Zaventem, Belgium
TRIO-KENWOOD ELECTRONICS GmbH
 Rembrucker Str. 15, 60556 Heusenstamm, West Germany
TRIO-KENWOOD FRANCE S.A.
 5, Boulevard Ney, 75018, Paris, France
TRIO-KENWOOD (AUSTRALIA) PTY. LTD. (INCORPORATED IN N.S.W.)
 4E Woodcock Place, Lane Cove, N.S.W. 2066, Australia
KENWOOD & LEE ELECTRONICS, LTD.
 Wang Kee Building, 5th Floor, 34-37, Connaught Road, Central, Hong Kong

Note :
Component and circuitry are subject to modification to insure best operation under differing local conditions. This manual is based on, the U.S.A. (K) standard, and provides information on regional circuit modification through use of alternate schematic diagrams, and information on regional component variations through use of parts list.

SERVICE MANUAL

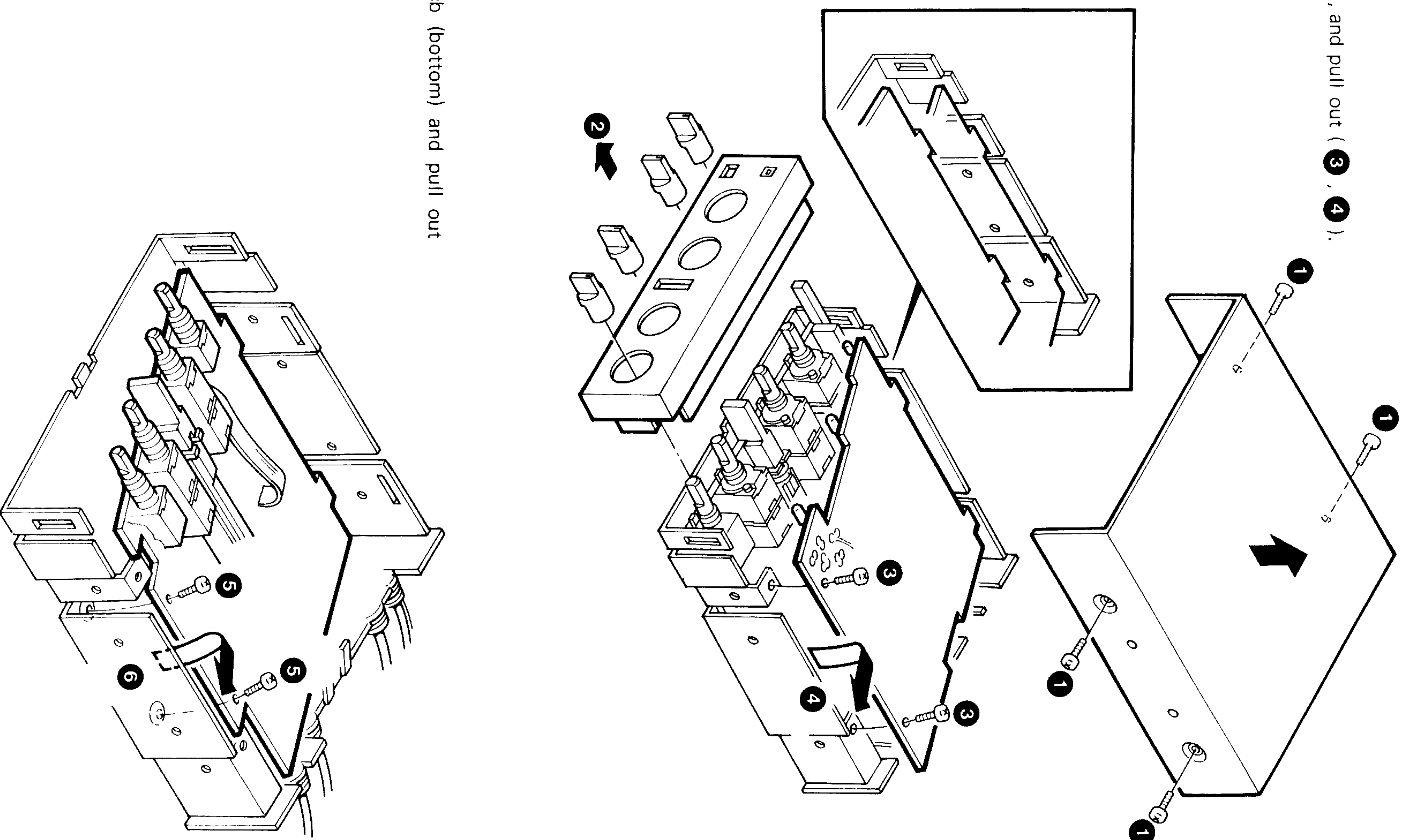
ELECTRONIC CROSSOVER



DISASSEMBLY FOR REPAIR

DISASSEMBLY FOR REPAIR

1. Remove 4 screws of the metallic cabinet and take the metallic cabinet off (**1**).
2. Pull out 4 knobs (**2**).
3. Remove 2 screws of the pcb, and pull out (**3**, **4**).



4. Remove 2 screws of the pcb (bottom) and pull out (**5**, **6**).

PARTS LIST

* New Parts
 Parts without Parts No. are not supplied.
 Les articles non mentionnés dans le Parts No. ne sont pas fournis.
 Teile ohne Parts No. werden nicht geliefert.

Ref. No. 参照番号	Address 位置	New 新	Parts No. 部品番号	Description 部品名 / 规格	Desti- nation 向備考	Re- marks 備考
C49			CK45B1H561K	CERAMIC		
C51 .52			CE04CM1C100M	ELECTRØ	560PF	K
C53			CK45B1H101K	CERAMIC	100UF	16WV
C54 -56			CE04CM1C100M	ELECTRØ	100PF	K
C57			C90-1263-05	ELECTRØ	100UF	16WV
C58			CE04CM1C100M	ELECTRØ	100UF	16WV
C59			CK45B1H561K	CERAMIC	560PF	16WV
C60 -65			C90-1263-05	ELECTRØ	100UF	16WV
C66			CE04CM1C100M	ELECTRØ	100UF	16WV
C67			CE04CM1C100M	ELECTRØ	10UF	16WV
C68 .69			C90-1263-05	ELECTRØ	100UF	16WV
C70			CE04CM1C220M	ELECTRØ	22UF	16WV
C71			CE04CM1C100M	ELECTRØ	10UF	16WV
C72			CE04CM1C220M	ELECTRØ	22UF	16WV
C73 -78		*	C90-1263-05	ELECTRØ	100UF	16WV
C79			CE04DM1C471M	ELECTRØ	470UF	16WV
C80			CE04CM1C100M	ELECTRØ	10UF	16WV
C83			CK45B1H101K	CERAMIC	100PF	K
37			E30-1396-08	CØRD WITH DIN CONNECTØR		
41			E30-1399-08	CØRD WITH DIN CONNECTØR(LØW)		
42			E30-1400-08	POWER CØRD		
43		*	E30-1423-08	CØRD WITH DIN CONNECTØR(HIGH)		
R106			RD148B2H561J	RD	560	J 1/2W
R107			RD14DB3A4R7J	SMALL-RD	4.7	J 1W
VR1 .2		*	R29-4005-08	PØTENTIØMETER(SØKØX4)	FREQ	
WR3 .4		*	R29-3019-08	PØTENTIØMETER(1ØKØX2)	LEVEL	
S1		*	S40-6029-08	PUSH SWITCH		(MØNØ)
S2		*	S40-8008-08	PUSH SWITCH		(FX1ØHZ)
D1 .2			DSM1A1	DIØDE		
D1 .2			SS2778	DIØDE		
D3 -8			1S1555	DIØDE		
D3 -8			1S2076	DIØDE		
D9		*	RD6.0E	DIØDE		
D9			TZ6.2	ZENER DIØDE		
IC1 .2		*	AN6558	IC(ØP AMP X2)		
IC1 .2		*	NJM2041D-D	IC(ØP AMP X2)		
IC3			TLØ82CP	IC(ØP AMP X2)		
IC4 -6		*	AN6558	IC(ØP AMP X2)		
IC4 -6			NJM2041D-D	IC(ØP AMP X2)		
IC4 -6			2SC2274K	TRANSISTØR		
IC4 -6			2SD400MP	TRANSISTØR		
IC4 -6			2SC1815	TRANSISTØR		
IC4 -6			2SD1020	TRANSISTØR		
IC4 -6			2SA1015	TRANSISTØR		
IC4 -6			2SB810	TRANSISTØR		
IC4 -6			2SC2274K	TRANSISTØR		
IC4 -6			2SD400MP	TRANSISTØR		
IC4 -6			2SA984K	TRANSISTØR		
IC4 -6			2SB698(F,G)	TRANSISTØR		
IC4 -6			2SC2878	TRANSISTØR		
IC4 -6			2SD1469F	TRANSISTØR		

E: Scandinavia & Europe H: Audio Club K: USA

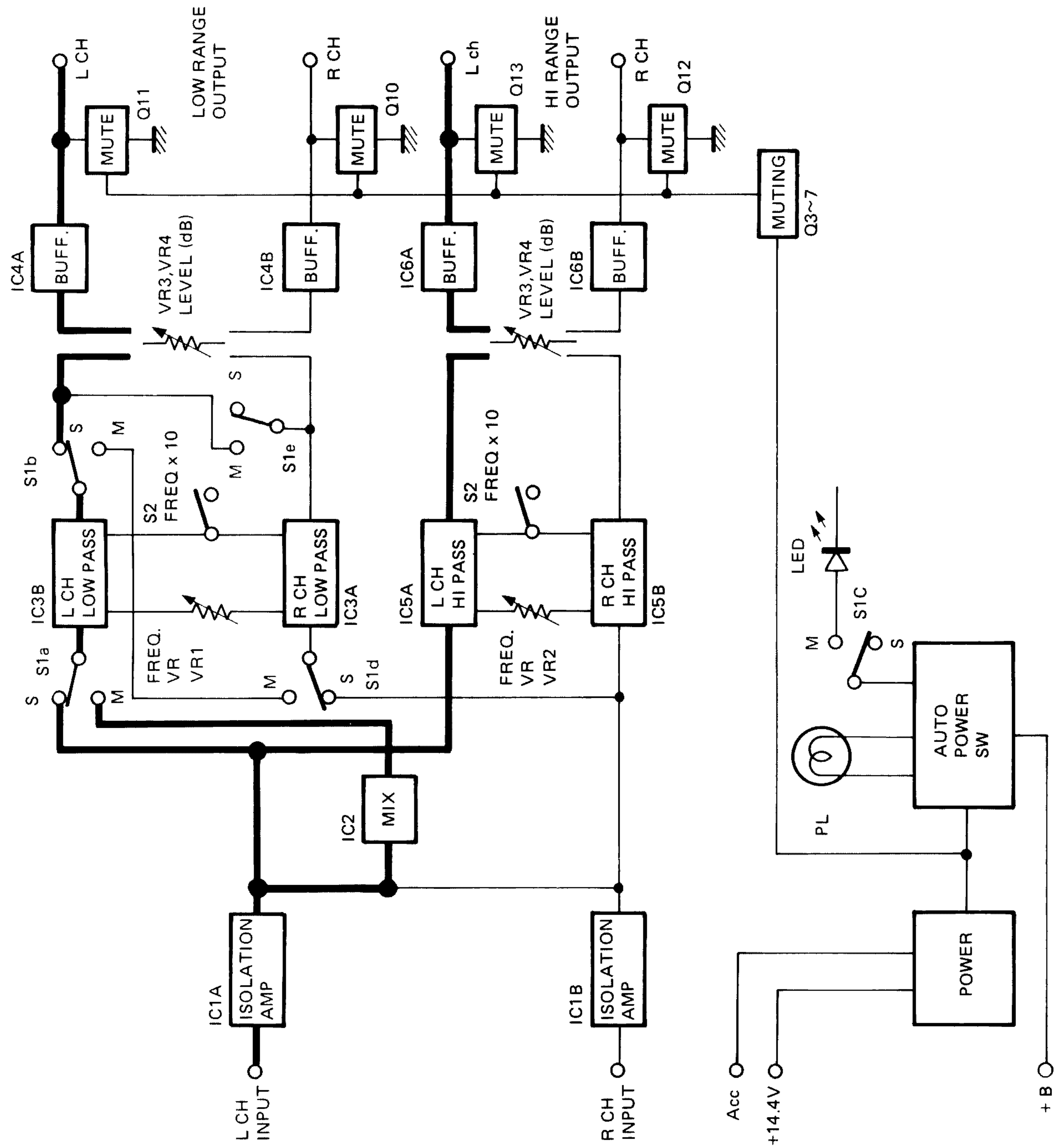
P: Canada

S: South Africa T: England U: PK(Far East, Hawaii)

UE: AAFES(Europe) X: Australia M: Other Areas

⚠ indicates safety critical components

BLOCK DIAGRAM



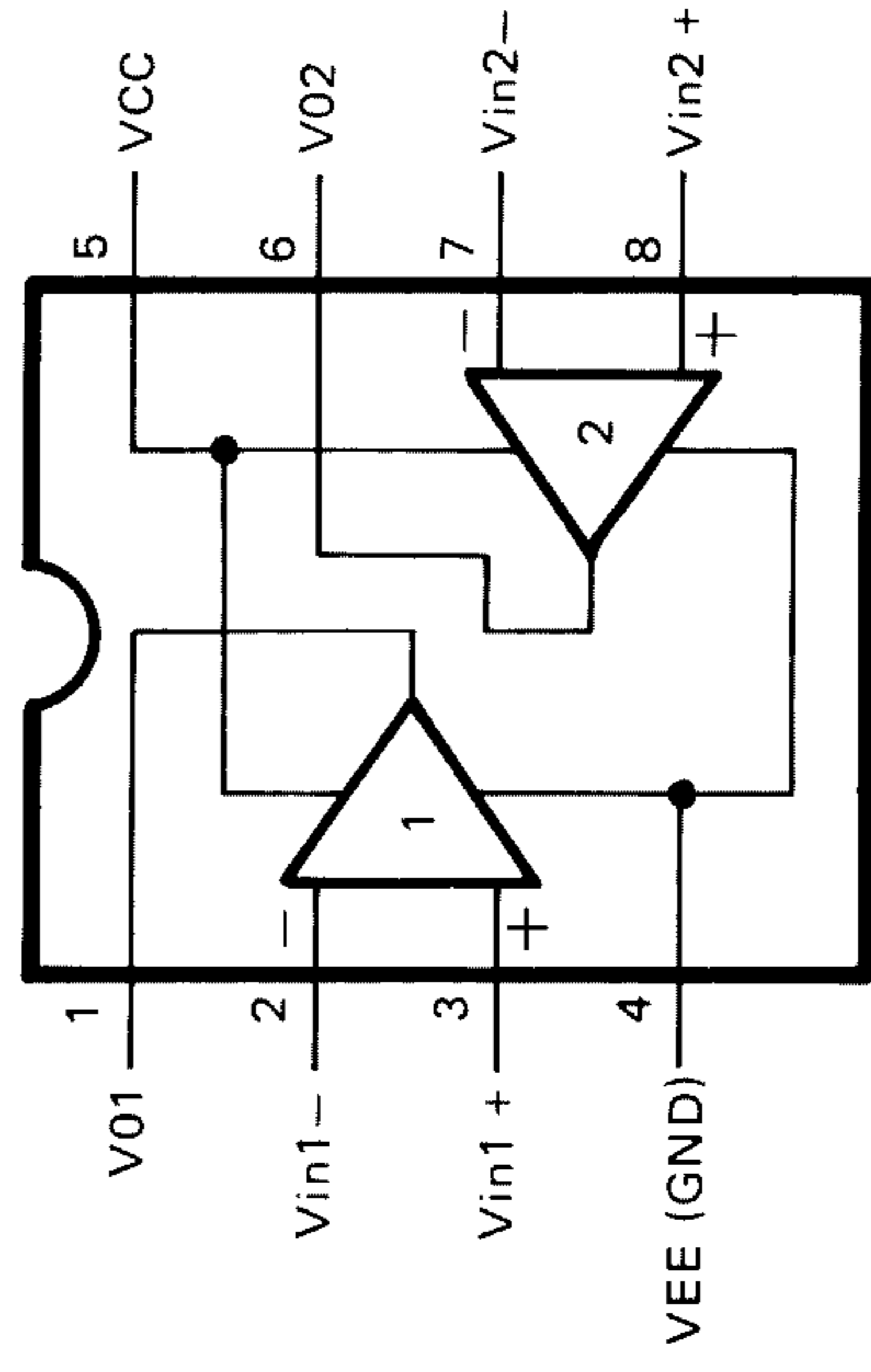
CIRCUIT DESCRIPTION

Description of components

MAIN (W02-6740-08)

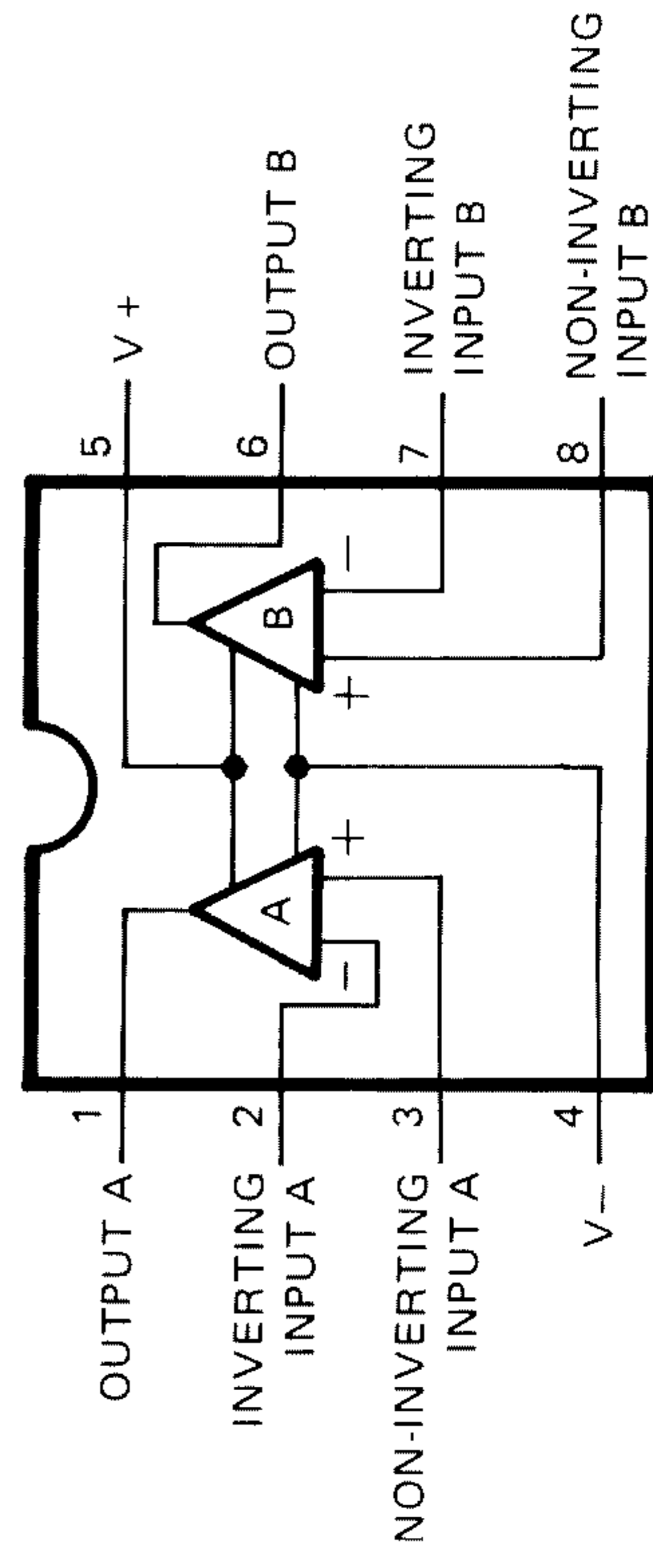
Components	Function	Operation
IC1	Isolation amp	
IC2A	Voltage regulator	
IC2B	Mix amp	
IC3	Low pass filter	
IC4	Buff. amp	
IC5	High pass filter	
IC6	Buff. amp	
Q1	LED, Lamp driver	
Q2	Ripple filter	
Q3	Mute driver (ON/OFF caomparator)	OFF when mute is turned ON.
Q4	Mute driver (Switch for setting the OFF time)	ON when mute is turned ON.
Q5	Mute driver (Switch for setting the ON time)	OFF when mute is turned ON.
Q6	Mute driver (Inverter)	ON when mute is turned ON.
Q7	Mute driver (Driver)	ON when mute is turned ON.
Q8~Q9	Voltage regulator	
Q10~Q13	Mute switch	ON when mute is turned ON.

**Block diagram of IC
IC1,2,4~6 (AN6558)**

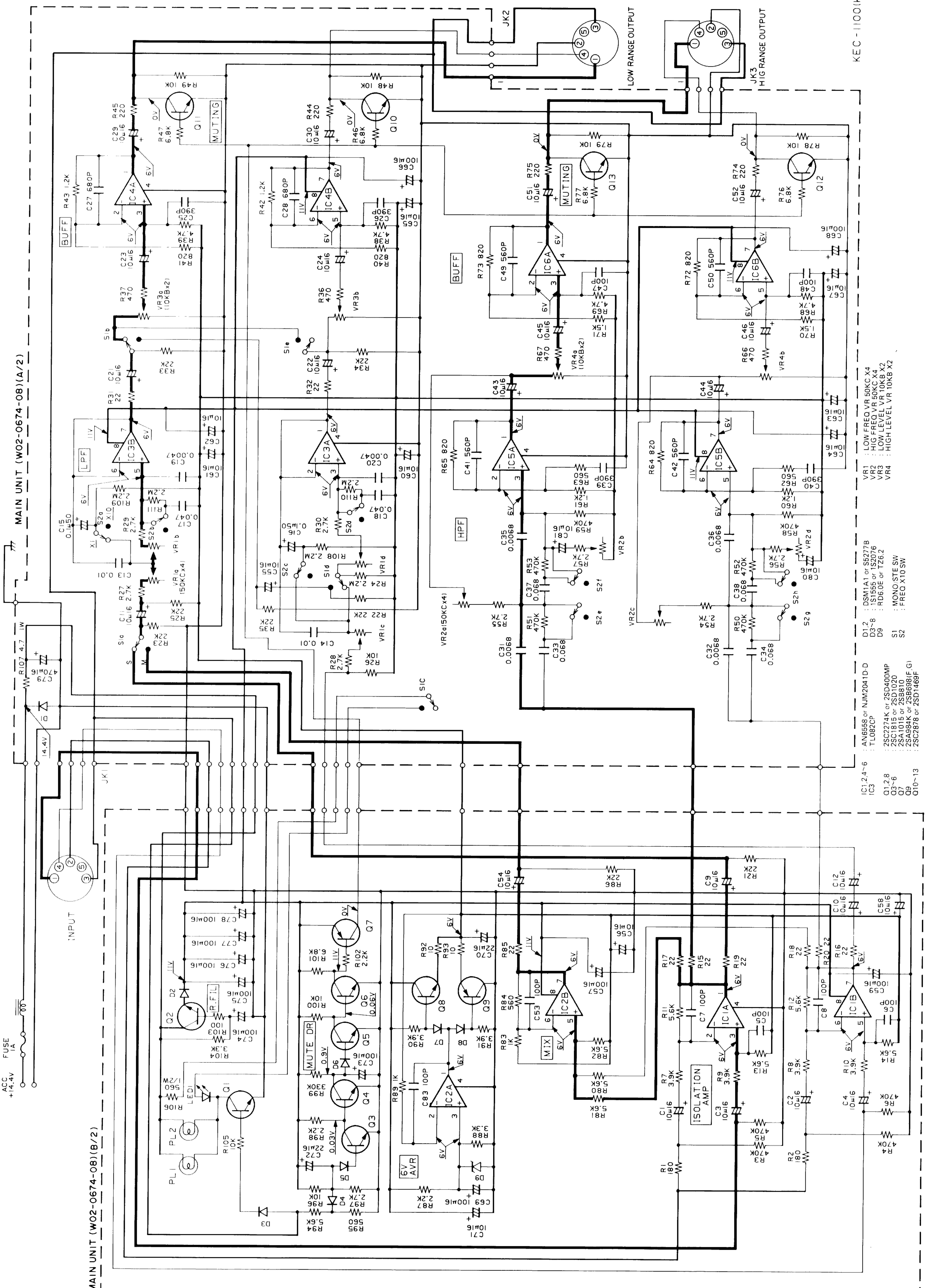
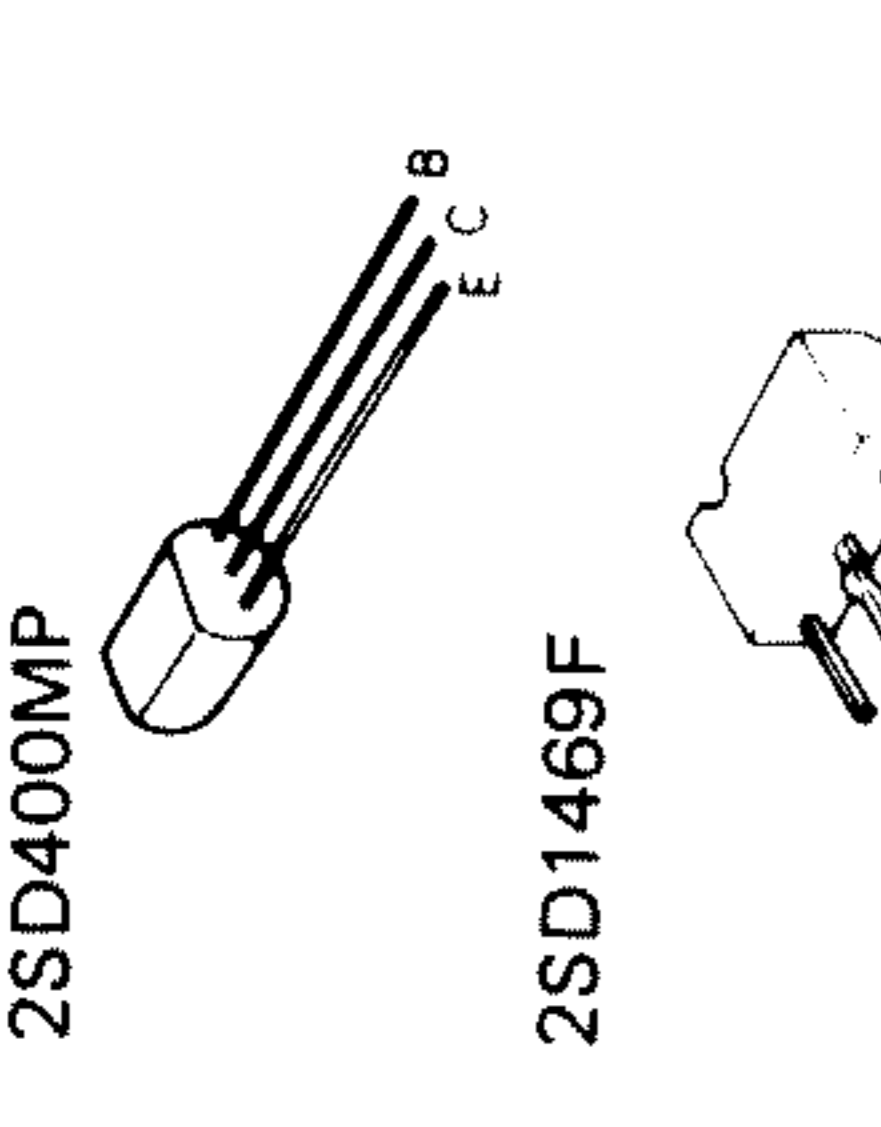


Pin No.	Pin Name
1	Ch. 1 Output
2	Ch. 1 Inverting Input
3	Ch. 1 Non-Inverting Input
4	VEE (GND)
5	Ch. 2 Non-Inverting Input
6	Ch. 2 Inverting Input
7	Ch. 2 Output
8	VCC

IC3 (LF353N)



2SA1015
2SA984K
2SB698
2SC1815
2SC2274K
2SC2878
2SD400MP



ACC FUSE
+14.4V

MAIN UNIT (W02-0674-08)(A/2)

MAIN UNIT (W02-0674-08)(B/2)

KEC-1100(K)

- IC1,2,4-6 : AN6558 or NJM2041D-D
- IC3 : TL082CP
- Q1,2,8 : 2SC2274K or 2SD400MP
- Q3-6 : 2SA1815 or 2SD1020
- Q7 : 2SA1015 or 2SB810
- Q9 : 2SA984K or 2SB698(F, G)
- Q10-13 : 2SC2878 or 2SD1469F
- D1,2 : DS1A1 or S277B
- D3-6 : 1S1655 or 1S2076
- D9 : RD60E or 1Z6.2
- S1 : MONO/STE SW
- S2 : FREQ X10 SW
- VR1 : LOW FREQ VR 50KC X4
- VR2 : 10K FREQ VR 50KC X4
- VR3 : 10K LEVEL VR 10KB X2
- VR4 : HIGH LEVEL VR 10KB X2

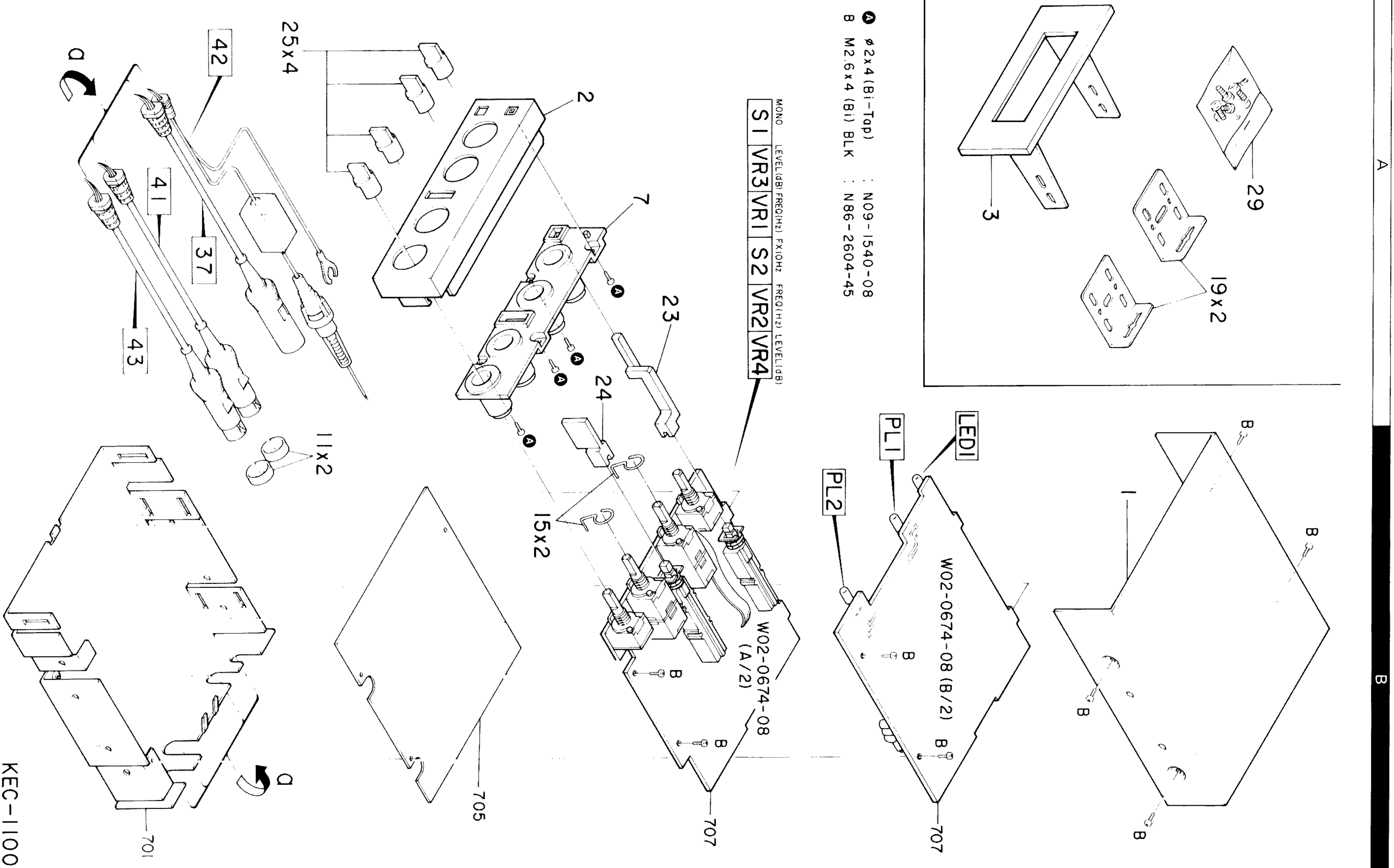
KEC-1100
KENWOOD

• DC voltages are as measured with a high impedance voltmeter with no signal input. Values may vary slightly due to variations between individual instruments or/and units.

• Les tensions c.c. doivent être mesurées avec un voltmètre à haute impédance sans signal d'entrée. Les valeurs peuvent différer légèrement du fait des variations inhérentes aux appareils et aux instruments de mesure individuels.

• Die angegebenen Gleichspannungswerte wurden mit einem hochohmigen Voltmeter ohne Eingangssignal gemessen. Dabei schwanken die Meßwerte aufgrund von Unterschieden zwischen einzelnen Instrumenten oder Geräten u.U. geringfügig.

EXPLODED VIEW



PARTS LIST

* New Parts
 Parts without Parts No. are not supplied.
 Les articles non mentionnés dans le Parts No. ne sont pas fournis.
 Teile ohne Parts No. werden nicht geliefert.

Ref. No. 参照番号	Address 位置	New Parts 新部品	Parts No. 部品番号	Description 部品名 / 规格	Desti- nation 向標考	Re- marks
KEC-1100						
1	1B	*	A01-1450-08	METALLIC CABINET		
2	2A	*	A20-4639-08	PANEL	K	
3	2A	*	A20-4640-08	PANEL	T	
	1A	*	A21-0474-08	DRESSING PANEL		
7	2A	*	B11-0108-08	LIGHTING PLATE	K	
		*	B46-0100-00	WARRANTY CARD	T	
		*	B46-0123-03	WARRANTY CARD	T	
		*	B48-0084-04	TRIO LOGOGRAM	T	
		*	B50-5843-00	INSTRUCTION MANUAL(E,F)	K	
		*	B50-5991-00	INSTRUCTION MANUAL(ENGLISH)	T	
		*	B50-6042-00	INSTRUCTION MANUAL(G,I)	E	
11	3B	*	F29-0046-05	DIN CONNECTOR CAP		
15	2B	*	G09-0063-08	SPRING		
		*	H01-5640-08	ITEM CARTON BOX		
		*	H10-1821-08	POLYSTYRENE FOAMED FIXTURE		
		*	H12-0194-08	PACKING FIXTURE		
		*	H25-0079-04	PROTECTION BAG		
		*	H25-0096-04	PROTECTION BAG		
		*	H25-0112-04	PROTECTION BAG		
		*	H25-0239-08	PROTECTION BAG		
19	1A	*	J21-3693-08	MOUNTING HARDWARE		
23	2A	*	K27-1547-08	KNOB (BUTTON)	MONO	
24	2B	*	K27-1548-08	KNOB (BUTTON)	FX10HZ	
25	3A	*	K29-2251-08	KNOB	(LEVEL,FREQ)	
29	1A	*	N09-0201-08	SCREW SET	(Ø2X4)	
	2A	*	N09-1540-08	SCREW		
MAIN UNIT (W02-0674-08)						
LED1	1B	*	B30-1111-08	LED	(G)	
PL1 ,2	2B	*	B30-1112-08	LAMP		
C1 -4		*	CE04CM1C100M	ELECTRO	10UF 16WV	
C5 -8		*	CK45B1H101K	CERAMIC	100PF K	
C9 -12		*	CE04CM1C100M	ELECTRO	10UF 16WV	
C13 ,14		*	CF92V1H103J	MF	0.010UF J	
C15 ,16		*	CE04CM1HOR1M	ELECTRO	0.1UF 50WV	
C17 ,18		*	CF92V1H473J	MF	0.047UF J	
C19 ,20		*	CF92V1H472J	MF	4700PF J	
C21 -24		*	CE04CM1C100M	ELECTRO	10UF 16WV	
C25 ,26		*	CK45B1H391K	CERAMIC	390PF K	
C27 ,28		*	CK45B1H681K	CERAMIC	680PF K	
C29 ,30		*	CE04CM1C100M	ELECTRO	10UF 16WV	
C31 ,32		*	CF92V1H682J	MF	6800PF J	
C33 ,34		*	CF92V1H683J	MF	0.068UF J	
C35 ,36		*	CF92V1H682J	MF	6800PF J	
C37 ,38		*	CF92V1H683J	MF	0.068UF J	
C39 ,40		*	CK45B1H391K	CERAMIC	390PF K	
C41 ,42		*	CK45B1H561K	CERAMIC	560PF K	
C43 -46		*	CE04CM1C100M	ELECTRO	10UF 16WV	
C47 ,48		*	CK45B1H101K	CERAMIC	100PF K	

Parts with the exploded numbers larger than 700 are not supplied.

Standard & Europe HAude Club K:USA P:Canada
 S:South Africa T:England U:Pacific East, Hawaii
 UE:AFFES Europe X:Australia M:Other Areas

△ indicates safety critical components.