

KM-208

VOLTAGE CHECK TABLE

KM-208

| IC1 | |
|-----|------|
| 4 | 2.7V |
| 5 | 0V |
| 6 | 0.8V |
| 7 | 2.2V |
| 8 | 3.2V |

| IC2, 3 | |
|--------|-------|
| 7 | 14.7V |
| 8 | 0V |
| 10 | 14.7V |

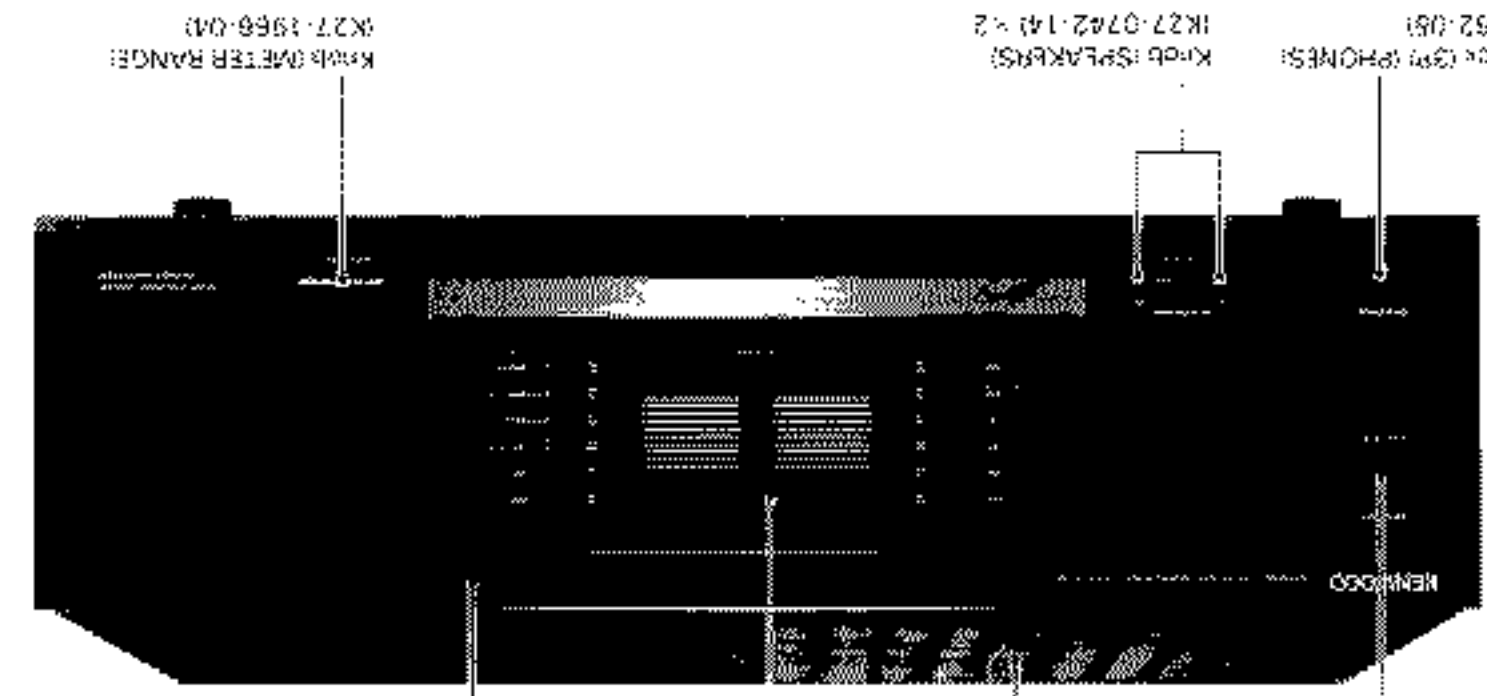
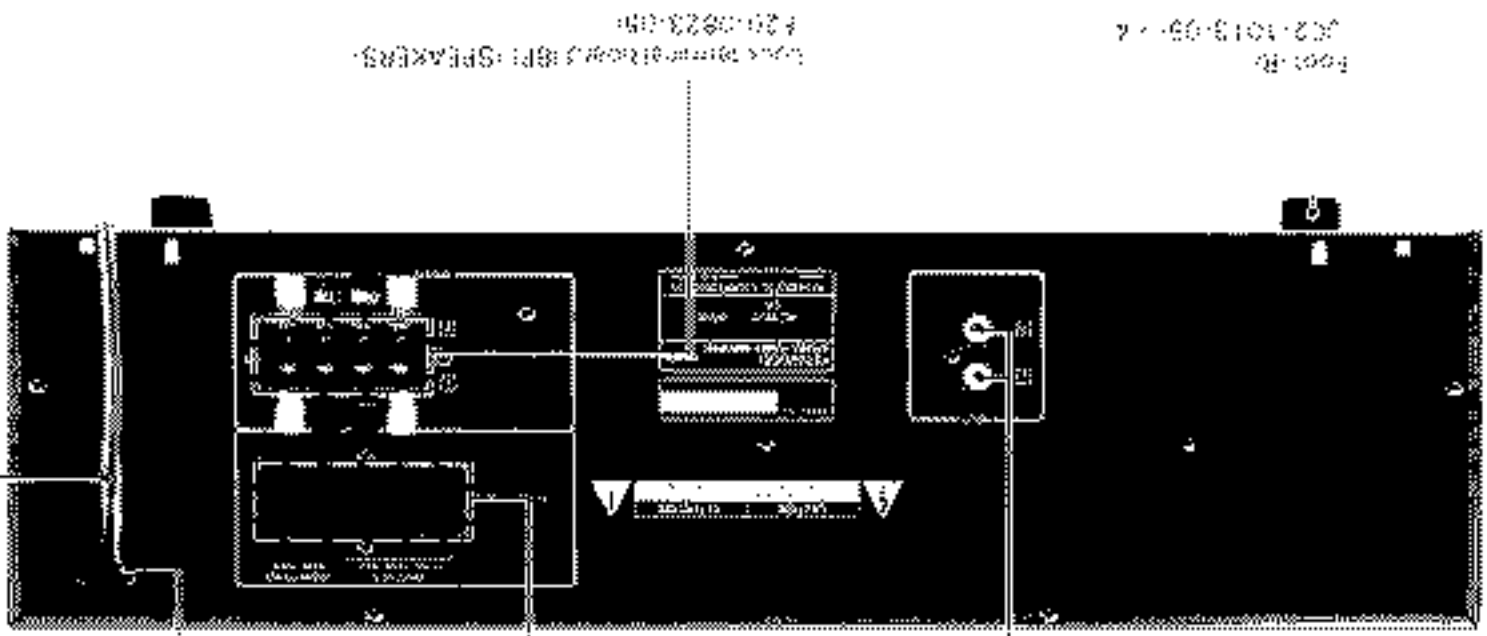
| X07-2430-XX | | | | |
|-------------|-------|------------------------------------|-------|--|
| X07-2460-XX | | | | |
| | B | C | E | |
| Q1 - 4 | - | 17.7V | -18V | |
| Q5, 6 | 17.7V | 80.3V | 17V | |
| Q7, 8 | 17.7V | 81V | 17V | |
| Q9, 10 | 80.3V | 77.8V | 81V | |
| Q11, 12 | 77.2V | 1.2V | 77.8V | |
| Q13, 14 | - | 1.2V | -1.2V | |
| Q15, 16 | - | 81V | 0.6V | |
| Q17, 18 | - | -81V | -0.6V | |
| Q19, 20 | - | 81V | - | |
| Q21, 22 | - | -81V | - | |
| Q23, 24 | - | - | 0V | |
| Q27, 28 | - | - | 1.2V | |
| Q29, 30 | - | - | -1.2V | |
| Q33 | 81V | - | 81V | |
| Q34 | 24V | 34V | 23.4V | |
| Q35 | 0V | - | 0V | |
| Q36 | 23V | Relay ON : -12V Relay OFF : 23V | 23V | |
| Q37 | - | - | 14.7V | |

Rated Power Output
150 watts per channel minimum RMS, both channels driven, at 8 ohms from 20 Hz to 20,000 Hz with no more than 0.03% total harmonic distortion.

Both channels driven
(8 ohms, 1 kHz) 155 W + 155 W
Music Power
(8 ohms) 310 W + 310 W
Total Harmonic Distortion
20 Hz to 20,000 Hz 0.015% at 1/2 rated power
1 kHz 0.002% at 1/2 rated power
into 8 ohms
1 kHz 0.002% at 1/2 rated power
into 8 ohms
Inter Modulation Distortion
(50 Hz, 7 kHz = 4:1) 0.002% at rated power into 8 ohms
Frequency Response 5 Hz to 200 kHz, + 0 dB, -3 dB
Power Bandwidth
(0.2% T.H.D., 8 ohms) 10 Hz to 50 kHz
Signal-to-Noise Ratio (S/N) 120 dB (MAIN IN)
Damping Factor More than 35 at 50 Hz
General
8 A (USA and Canada)
Power Consumption 350 W (Others)
AC Outlets Switched 2, Unswitched 1
Dimensions
W 420 mm (16-9/16")
H 123 mm (4-13/16")
D 269 mm (10-9/16")
Weight (Net) 8.5 kg (18.7 lb)

NOTE:
Component and country are subject to modification to insure best operation under different local conditions. This manual is based on the U.S.A. (N.I.) standard, and provides information on regional circuit modification through use of alternate schematic diagrams, and information on regional component variations through use of parts list.

KENWOOD CORPORATION
Kenwood U.S.A. Corporation
Kenwood Electronics Canada Inc.
Kenwood Electronics Benelux NV
Kenwood Electronics Deutschland GmbH
Kenwood Electronics Australia Pty. Ltd.
Kenwood & IEE Electronics, Ltd.
Kenwood Electronics (UK) Ltd.
Kenwood Electronics (France) S.A.
Kenwood Electronics (Spain) S.A.
Kenwood Electronics (Italy) S.p.A.
Kenwood Electronics (Japan) Co., Ltd.



KENWOOD

KM-208

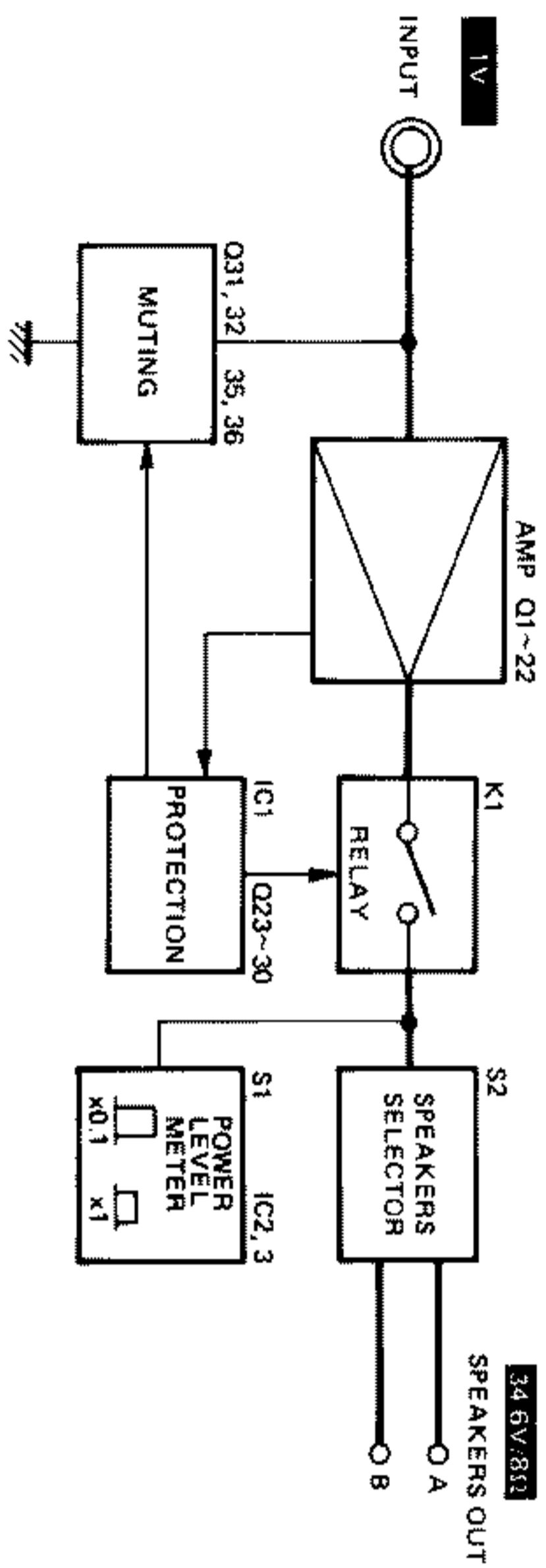
STEREO POWER AMPLIFIER SERVICE MANUAL

© 1989-3 PRINTED IN JAPAN
851-3863-00(B)1755

Refer to parts list on page 15.

BLOCK DIAGRAM/CIRCUIT DESCRIPTION

BLOCK LEVEL DIAGRAM



CIRCUIT DESCRIPTION

Description of Components

POWER AMPLIFIER UNIT (X07-2430-XX, X07-2460-XX)

| Components | Application/Function | Operation/Condition/Compatibility |
|------------|--------------------------------------|------------------------------------|
| Q1 ~ 4 | Initial stage differential amplifier | Low noise. |
| Q5 ~ 8 | 2nd stage differential amplifier | |
| Q9, 10 | 3rd stage amplifier | Class A cascade current amplifier. |
| Q11, 12 | 3rd stage amplifier | Class A cascade voltage amplifier. |
| Q13, 14 | Bias temperature compensation | |
| Q15 ~ 18 | Class B driver | |
| Q19 ~ 22 | Power amplifier | |
| Q23 ~ 30 | Current protection | |
| Q31, 32 | Input muting | |
| Q33 | Driver for relay driver IC | Current protection. |
| Q34 | Constant voltage control | |
| Q35, 36 | Muting driver | |
| Q37 | AVR | For meter driver. |
| IC1 | Relay driver IC | |
| IC2, 3 | Meter driver | |

ADJUSTMENT

| No. | ITEM | INPUT SETTINGS | OUTPUT SETTINGS | AMPLIFIER SETTINGS | ALIGNMENT POINTS | ALIAS FOR | FIG. |
|-----|--------------|----------------|---|--------------------|--------------------|-----------|------|
| 1 | IDLE CURRENT | | Connect a DC voltmeter across CP1 (L) CP2 (R) | VOLUME: 0 | VR1 (L) VR2 (R) | 9~18mV | (a) |

REGLAGE

| N° | ITEM | REGLAGE DE L'ENTREE | REGLAGE DE LA SORTIE | REGLAGE DE L'AMPLIFICATEUR | POINTS D'ALIGNEMENT | ALIGNER POUR | FIG. |
|----|-------------------------|---------------------|--|----------------------------|---------------------|--------------|------|
| 1 | COURANT DE POLARISATION | | Connecter un voltmètre de CC sur CP1 (G) CP2 (G) | VOLUME: 0 | VR1 (G) VR2 (D) | 9~18mV | (a) |

ABGLEICH

| NR. | GEGENSTAND | EINGANGS-EINSTELLUNG | AUSSGANGS-EINSTELLUNG | VORSTÄRKER EINSTELLUNG | ABGLEICH-PUNKTE | ABGLEICHEN FÜR | ABB. |
|-----|---------------|----------------------|---|------------------------|--------------------|----------------|------|
| 1 | LEERLAUFSTROM | | Einen Gleichspannungsmesser über CP1 (L) CP2 (R) anschließen. | VOLUME: 0 | VR1 (L) VR2 (R) | 9~18mV | (a) |

PARTS LIST

* New Parts
Parts without Parts No. are not supplied.
Les articles non mentionnés dans le Parts No. ne sont pas fournis.
Teile ohne Parts No. werden nicht geliefert.

| Ref. No. 参照番号 | Address 位置 | New Parts 新 | Parts No. 部品番号 | Description 部品名 / 規格 | Desti- nation 仕 | Re- marks 備考 |
|------------------|---------------|----------------|-------------------|-------------------------|-----------------------|--------------------|
| C11, 12 | | | CC45FSL1H03DC | CERAMIC | | |
| C13, 14 | | | CF92FV1H102J | MF | | |
| C15, 16 | | * | CE04LW1H330M | ELECTR0 | | |
| C17, 18 | | | C90-1394-05 | ELECTR0 | | |
| C19, 20 | | | CE04LW1E101M | ELECTR0 | | |
| C21 | | * | CE04LW2R220M | ELECTR0 | | |
| C22 | | * | CE04LW1V221M | ELECTR0 | | |
| C23, 24 | | | CF92FV1H153J | MF | | |
| C25, 26 | | | CK45FE2H103P | CERAMIC | | |
| C27 | | | CE04LW1C220M | ELECTR0 | | |
| C28 | | | C90-1334-05 | NP-ELEC | | |
| C29 | | | CE04LW1V4R7M | ELECTR0 | | |
| C30 | | | CE04LW1C330M | ELECTR0 | | |
| C31 | | | CF92FV1H223J | MF | | |
| C32 | | | CC45FSL1H271J | CERAMIC | | |
| C33, 34 | | * | CE04LW1V470M | ELECTR0 | | |
| C35, 38 | | | CE04LW1V100M | ELECTR0 | | |
| C39, 40 | | | CC45FSL1H080D | CERAMIC | | |
| C41 | | | CE04LW1V100M | ELECTR0 | | |
| C42, 43 | | | CK45FF1H103Z | CERAMIC | | |
| C44 | | | C91-0971-05 | FILM | | KPUJEM |
| E1 | 1C | | ED3-0078-05 | AC OUTLET | | KPUJEM |
| E2 | 1C | | E13-0229-05 | PHONE JACK | | KPUJEM |
| E3 | 1C | | E23-0077-05 | TERMINAL | | UJEM |
| E4 | 1C | | E23-0149-05 | TERMINAL | | |
| E5 | 1A | | E11-0162-05 | PHONE JACK | | |
| E6 | 1C | | E20-0823-05 | LOCK TERMINAL BOARD(BP) | | |
| E7 | 1B | | J13-0041-05 | FUSE CLIP | | KPUJEM |
| L1, 2 | | | L39-0085-05 | PHASE-COMPENSATION COIL | | |
| CP1, 2 | | | ND9-0333-05 | TAPPING SCREW (3X12) | | |
| R19, 20 | | | ND9-1202-05 | TAPPING SCREW (3X14) | | |
| R25, 26 | | | ND9-1777-05 | SEMS (TAPITTE SCREW) | | |
| R27, 28 | | | R90-0187-05 | MULTI-COMP | | |
| R29, 30 | | | RD14GB2E621J | FL-PROOF RD 620 | | |
| R31, 32 | | | RD14GB2E102J | FL-PROOF RD 1.0K | | |
| R33, 34 | | | RD14GB2E132J | FL-PROOF RD 1.3K | | |
| R35-38 | | | RD14GB2E182J | FL-PROOF RD 1.8K | | |
| R39-42 | | | RD14GB2E22J | FL-PROOF RD 8.2K | | |
| R43-46 | | | RD14GB2E92J | FL-PROOF RD 9.1K | | |
| R65 | | * | RD14GB2E100J | FL-PROOF RD 10 | | |
| R66 | | | RD14GB2E120J | FL-PROOF RD 120 | | |
| R74 | | | RS14KB3D121J | FL-PROOF RS 10 | | |
| R75, 76 | | | RS14KB3A100J | FL-PROOF RS 10 | | |
| R77, 78 | | | RS14KB3D561J | FL-PROOF RS 560 | | |
| R79, 80 | | * | RS14KB3D472J | FL-PROOF RS 4.7K | | |
| R81 | | | RD14GB2E100J | FL-PROOF RD 10 | | |
| VR1, 2 | | | R12-1083-05 | TRIMMING PBT, (1K) | | |
| K1 | 2B | | S51-2078-05 | MAGNETIC RELAY | | |

E: Scandinavia & Europe K: USA P: Canada
U: PX(Far East, Hawaii) T: England M: Other Areas
UE: AAFES(Europe) X: Australia

△ indicates safety critical components.

* New Parts

Parts without Parts No. are not supplied.
Les articles non mentionnés dans le Parts No. ne sont pas fournis.
Teile ohne Parts No. werden nicht geliefert.

PARTS LIST

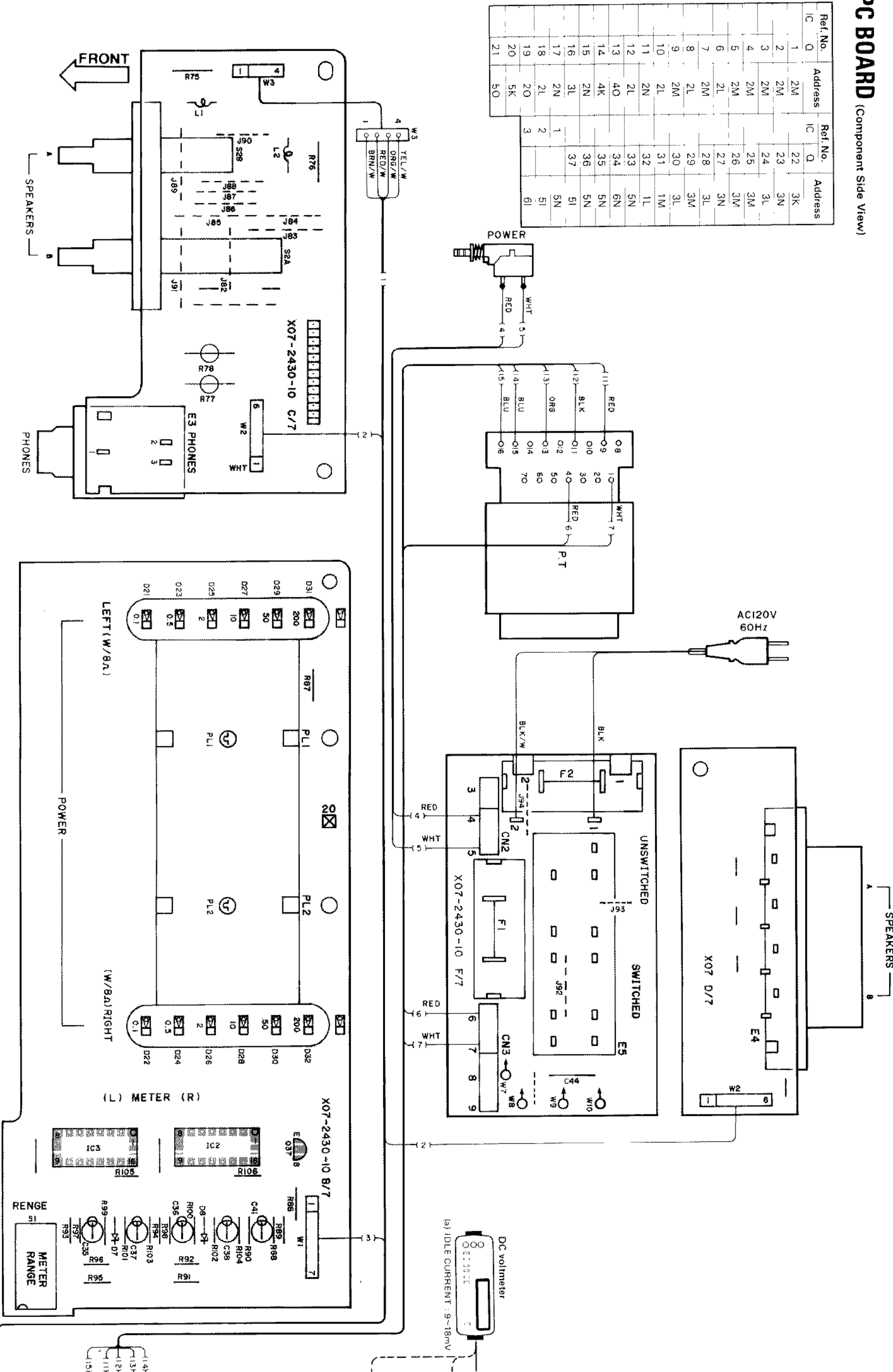
| Ref. No. 参照番号 | Address 位置 | New Parts 新 | Parts No. 部品番号 | Description 部品名 / 規格 | Desti- nation 仕 | Re- marks 備考 |
|------------------|---------------|----------------|-------------------|---------------------------------|-----------------------|--------------------|
| S1 | 1B | | S40-2351-05 | PUSH SWITCH | | |
| S2 | 1B | | S42-2163-05 | MULTIPLE PUSH SWITCH | | |
| S3 | 2B | | S31-2127-05 | SLIDE SWITCH (40-8Ω) | | |
| S4 | | | S31-2126-05 | SLIDE SWITCH (POWER TYPE) | | UJEM |
| D1, 2 | | | 1SS133 | DIODE | | |
| D1, 2 | | | 1SS176 | DIODE | | |
| D3, 6 | | | 1SS131 | DIODE | | |
| D3, 6 | | | 1SS178 | DIODE | | |
| D7, 10 | | | 1SS133 | DIODE | | |
| D7, 10 | | | 1SS176 | DIODE | | |
| D13 | | * | S15V620 | DIODE | | |
| D14, 17 | | | S55668 | DIODE | | |
| D18, 19 | | | HZ518N(B) | ZENER DIODE | | |
| D18, 19 | | | RD18ES(B) | ZENER DIODE | | |
| D20 | | | HZ524N(B) | ZENER DIODE | | |
| D20 | | | RD24ES(B) | ZENER DIODE | | |
| IC1 | | | UPC1737HA | IC (POWER AMP) | | |
| IC2, 3 | | | AN6882 | IC (7PT LED LEVEL METER DRIVER) | | |
| Q1, 4 | | | 2SC1845(F,E) | TRANSISTOR | | |
| Q5, 8 | | | 2SC945(A)(Q,P) | TRANSISTOR | | |
| Q9, 10 | | | 2SA733(A)(Q,P) | TRANSISTOR | | |
| Q11, 12 | | | 2SA1124(Q,R) | TRANSISTOR | | |
| Q13, 14 | | | 2SC3419(Y) | TRANSISTOR | | |
| Q15, 16 | | | 2SC3944A(Q,R) | TRANSISTOR | | |
| Q17, 18 | | | 2SA1535A(Q,R) | TRANSISTOR | | |
| Q19, 20 | | | 2SC2922LB | TRANSISTOR | | |
| Q21, 22 | | | 2SA1216LB | TRANSISTOR | | |
| Q23, 24 | | | 2SC945(A)(Q,P) | TRANSISTOR | | |
| Q25, 28 | | | 2SA733(A)(Q,P) | TRANSISTOR | | |
| Q29, 30 | | | 2SC2631(Q,R,S) | TRANSISTOR | | |
| Q31, 32 | | | 2SD1302(S,T) | TRANSISTOR | | |
| Q33 | | | 2SA992(F,E) | TRANSISTOR | | |
| Q34 | | | 2SC2590(Q,R) | TRANSISTOR | | |
| Q35 | | | 2SC945(A)(Q,P) | TRANSISTOR | | |
| Q36 | | | 2SA733(A)(Q,P) | TRANSISTOR | | |
| Q37 | | | 2SC2003(L,K) | TRANSISTOR | | |

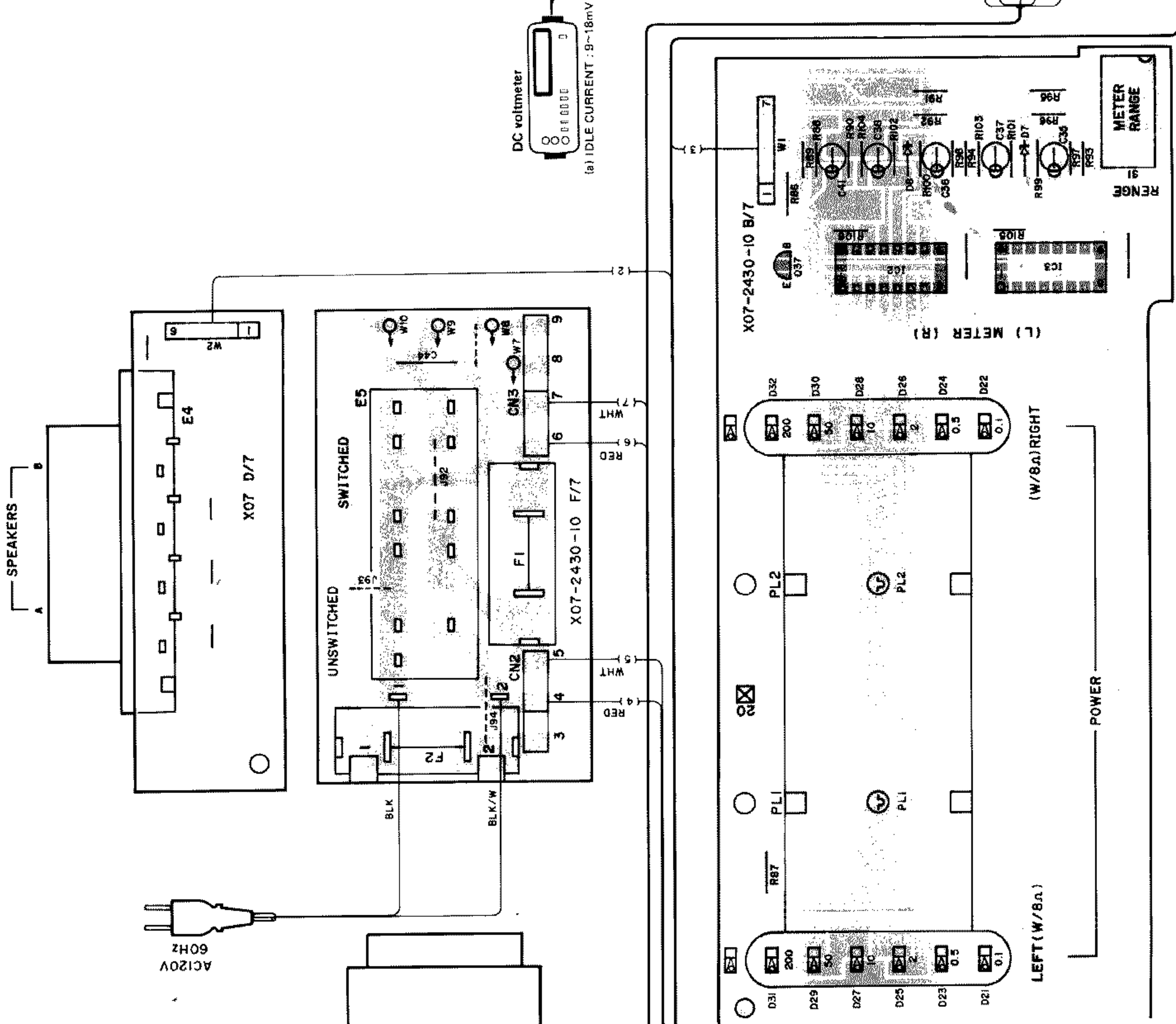
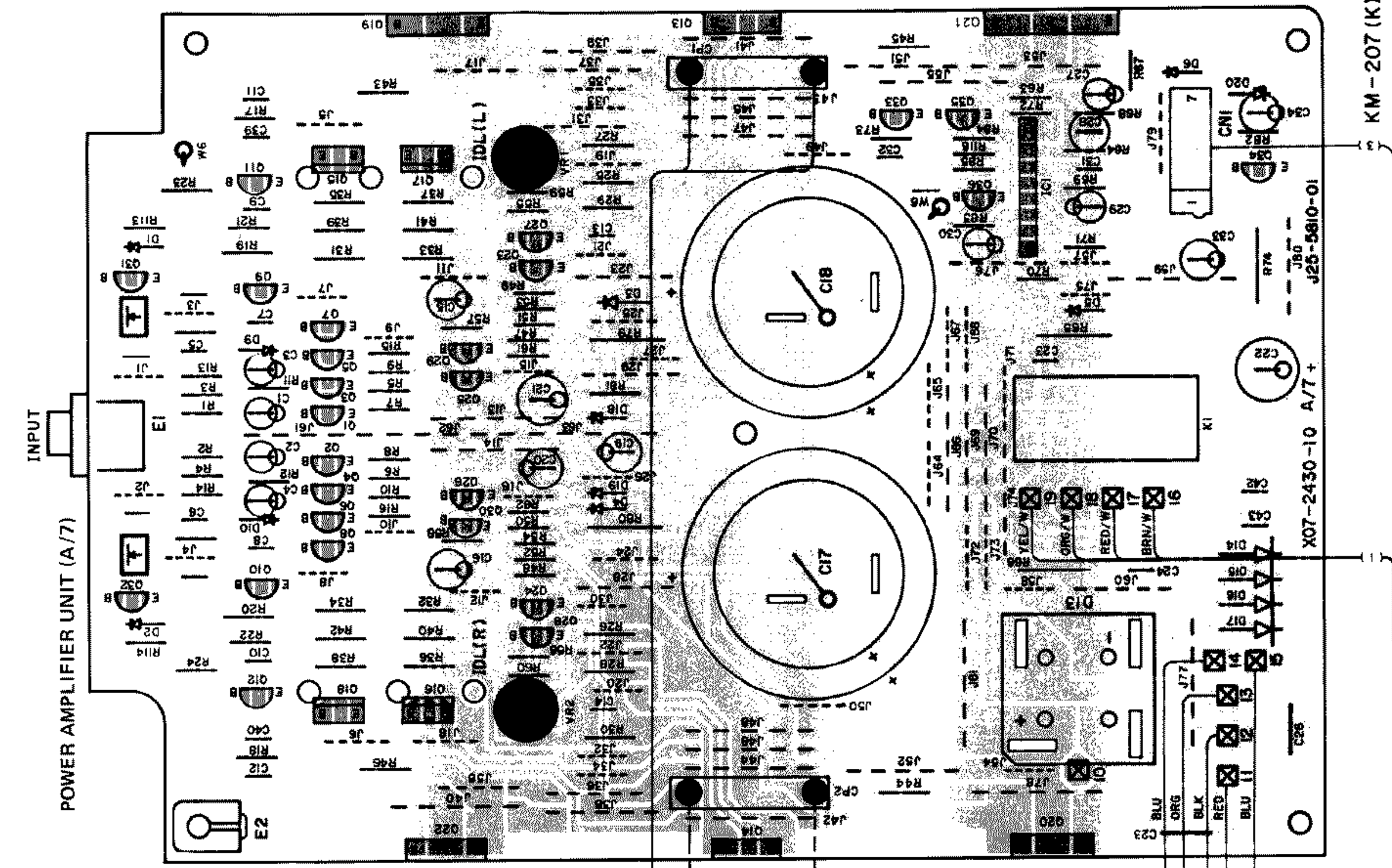
E: Scandinavia & Europe K: USA P: Canada
U: PX(Far East, Hawaii) T: England M: Other Areas
UE: AAFES(Europe) X: Australia

△ indicates safety critical components.

PC BOARD (Component Side View)

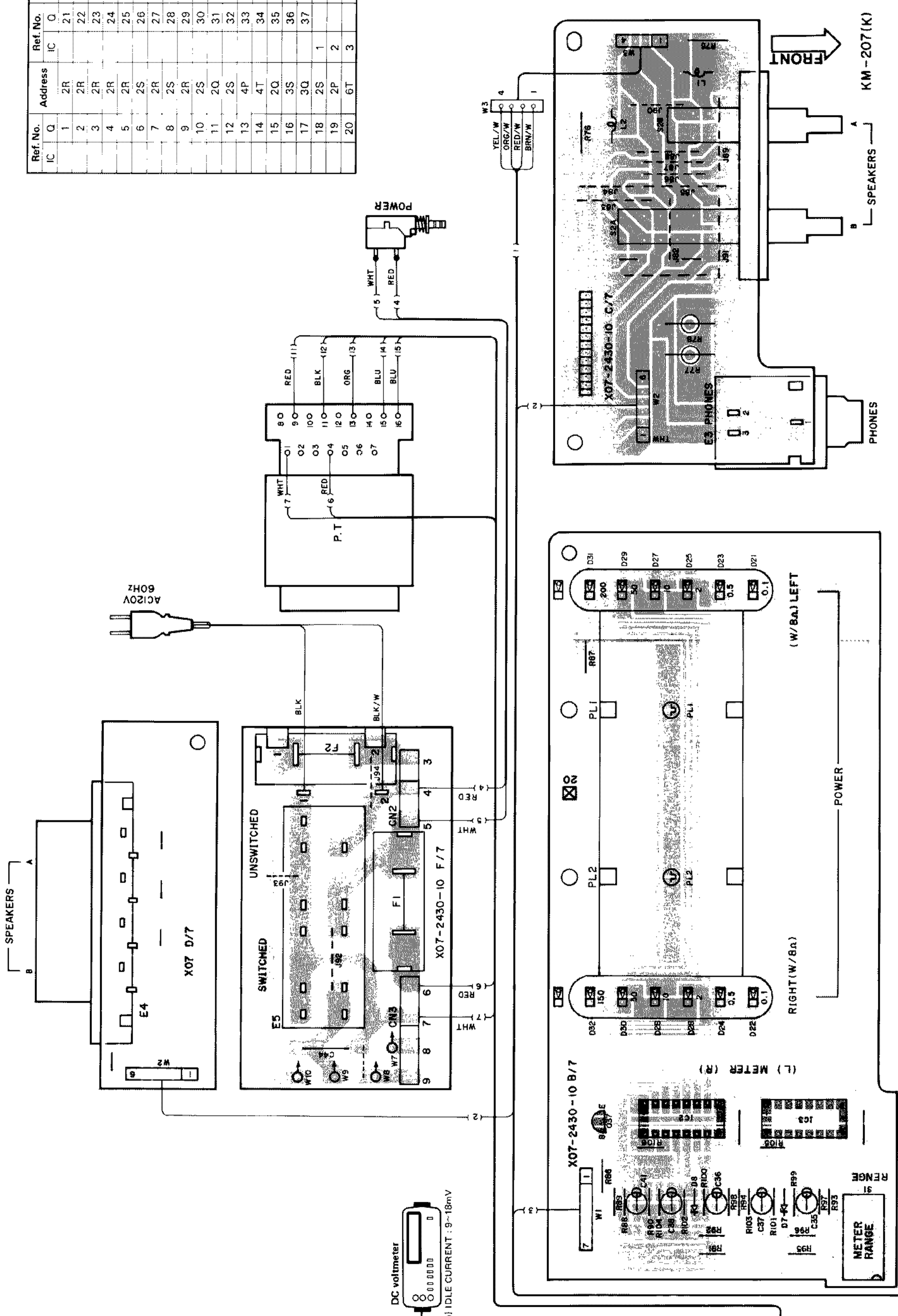
| Ref. No. | IC | Q | Address | Ref. No. | IC | Q | Address |
|----------|----|----|---------|----------|----|----|---------|
| 1 | 2M | 1 | 2M | 22 | 3K | 3K | 3K |
| 2 | 2M | 2 | 2M | 23 | 3N | 3N | 3N |
| 3 | 2M | 3 | 2M | 24 | 3L | 3L | 3L |
| 4 | 2M | 4 | 2M | 25 | 3M | 3M | 3M |
| 5 | 2M | 5 | 2M | 26 | 3M | 3M | 3M |
| 6 | 2L | 6 | 2L | 27 | 3N | 3N | 3N |
| 7 | 2M | 7 | 2M | 28 | 3L | 3L | 3L |
| 8 | 2L | 8 | 2L | 29 | 3M | 3M | 3M |
| 9 | 2M | 9 | 2M | 30 | 3L | 3L | 3L |
| 10 | 2L | 10 | 2L | 31 | 1M | 1M | 1M |
| 11 | 2N | 11 | 2N | 32 | 1L | 1L | 1L |
| 12 | 2L | 12 | 2L | 33 | 5N | 5N | 5N |
| 13 | 4O | 13 | 4O | 34 | 6N | 6N | 6N |
| 14 | 4K | 14 | 4K | 35 | 5N | 5N | 5N |
| 15 | 2N | 15 | 2N | 36 | 5N | 5N | 5N |
| 16 | 3L | 16 | 3L | 37 | 5I | 5I | 5I |
| 17 | 2N | 17 | 2N | | 5N | 5N | 5N |
| 18 | 2L | 18 | 2L | | 5I | 5I | 5I |
| 19 | 2O | 19 | 2O | | 5I | 5I | 5I |
| 20 | 5K | 20 | 5K | | 5I | 5I | 5I |
| 21 | 5O | 21 | 5O | | 5I | 5I | 5I |

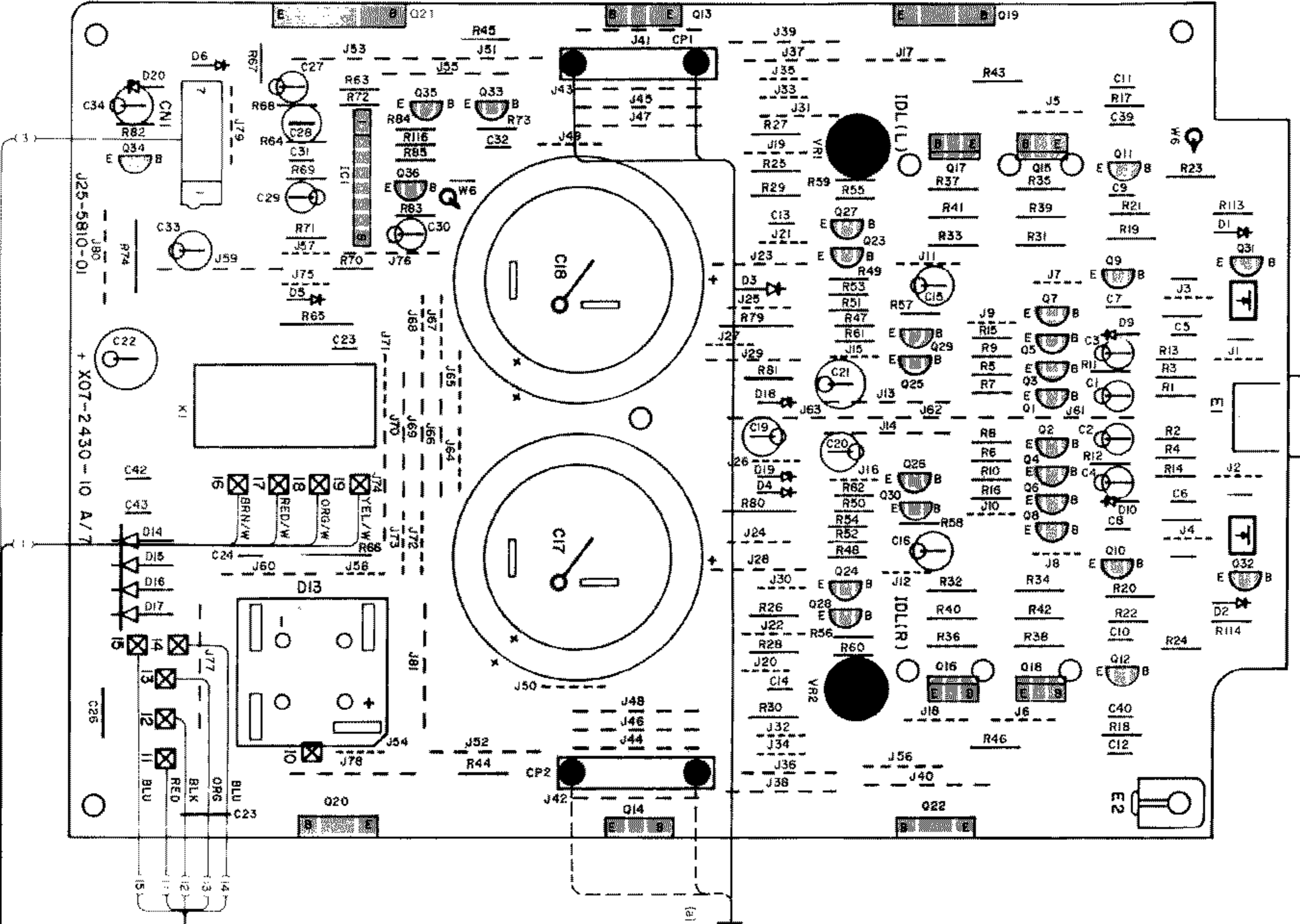




Refer to the schematic diagram for the values of resistors and capacitors.

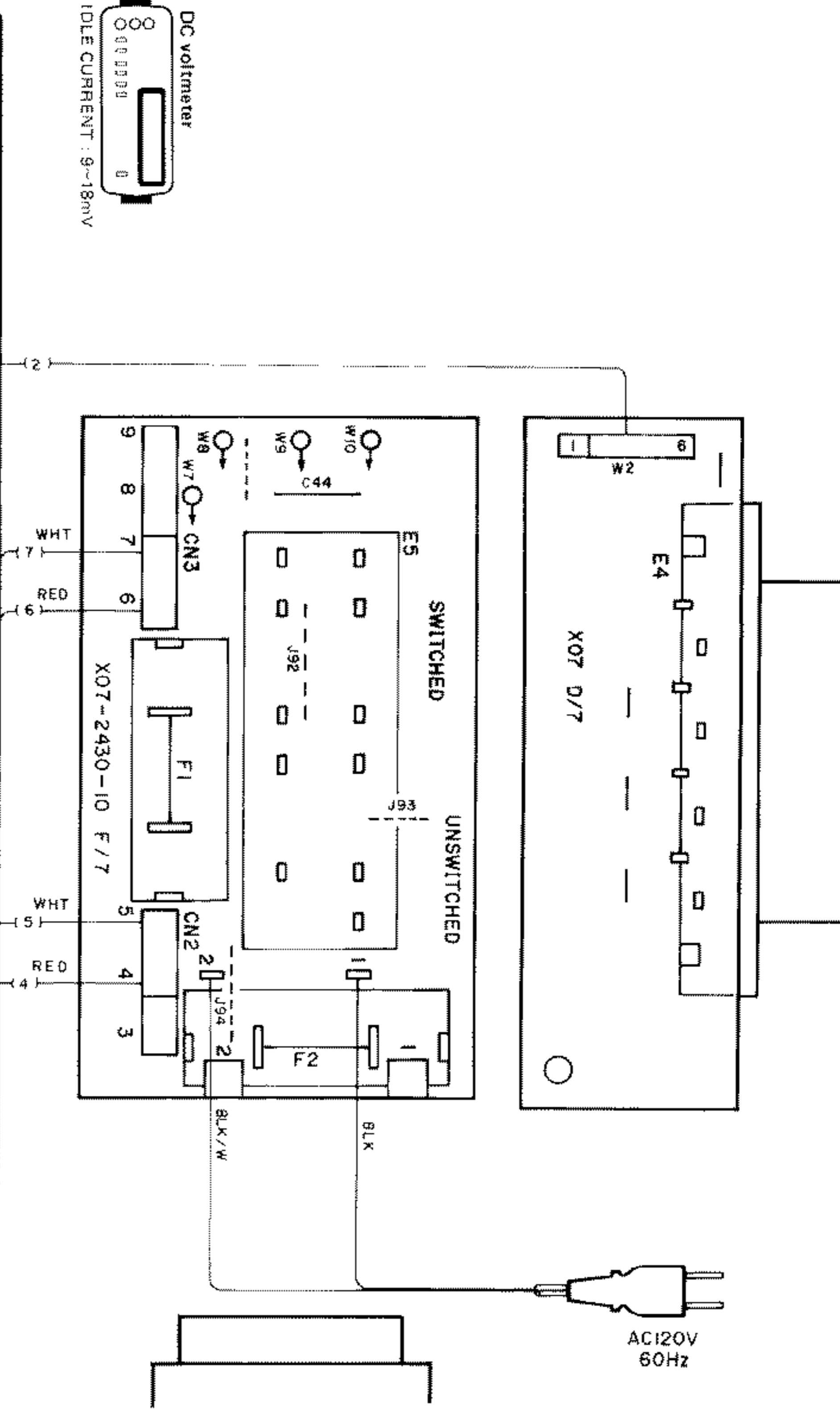
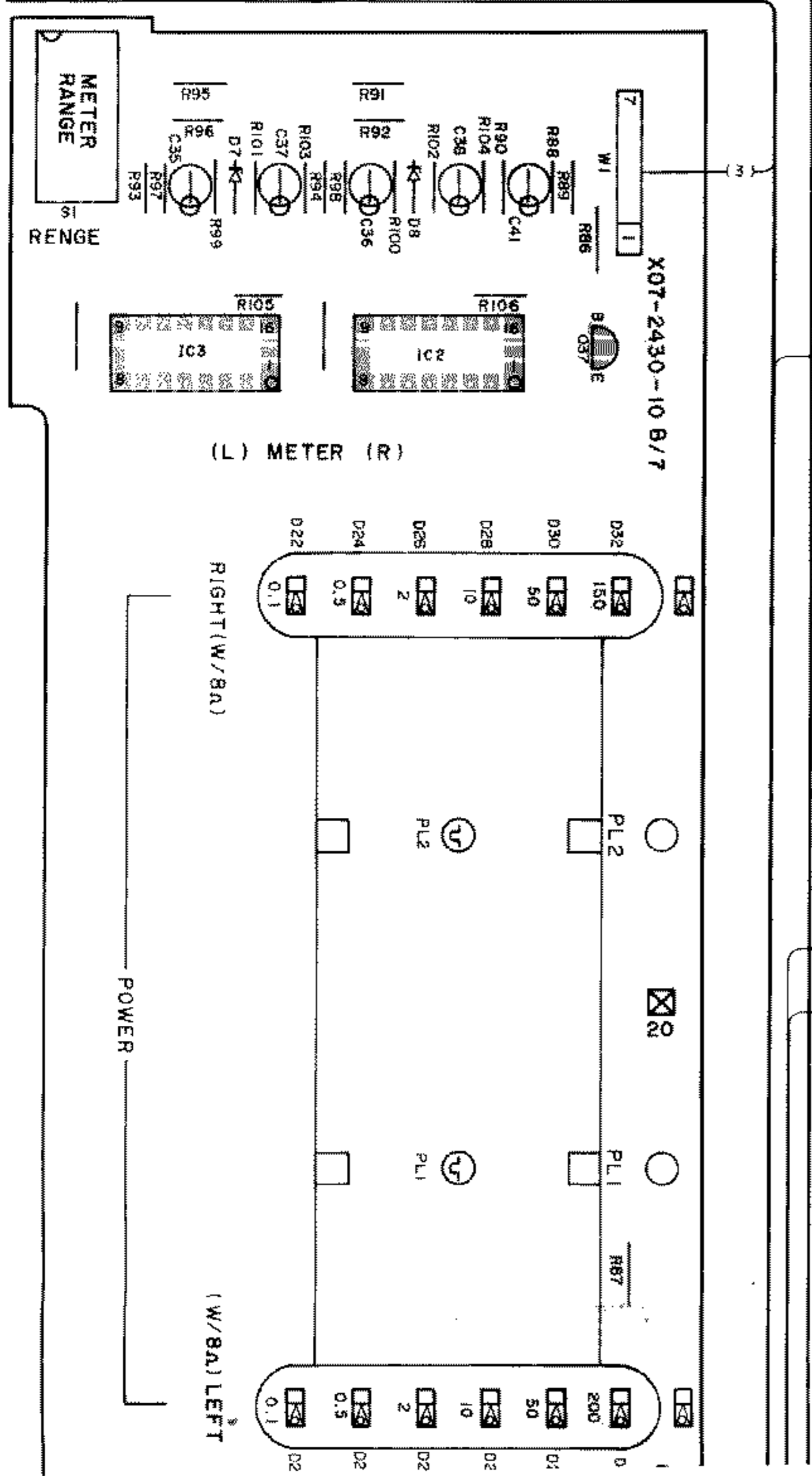
| Ref. No. | IC | Address | Ref. No. | IC | Address |
|----------|----|---------|----------|----|---------|
| 1 | 2R | 5P | 21 | 5P | |
| 2 | 2R | 3T | 22 | 3T | |
| 3 | 2R | 3Q | 23 | 3Q | |
| 4 | 2R | 3S | 24 | 3S | |
| 5 | 2R | 3R | 25 | 3R | |
| 6 | 2S | 3R | 26 | 3R | |
| 7 | 2R | 3Q | 27 | 3Q | |
| 8 | 2S | 3S | 28 | 3S | |
| 9 | 2R | 3R | 29 | 3R | |
| 10 | 2S | 3S | 30 | 3S | |
| 11 | 2Q | 1Q | 31 | 1Q | |
| 12 | 2S | 1S | 32 | 1S | |
| 13 | 4P | 5Q | 33 | 5Q | |
| 14 | 4T | 6Q | 34 | 6Q | |
| 15 | 2Q | 5Q | 35 | 5Q | |
| 16 | 3S | 5Q | 36 | 5Q | |
| 17 | 3Q | 5V | 37 | 5V | |
| 18 | 2S | 5Q | 1 | 5Q | |
| 19 | 2P | 5V | 2 | 5V | |
| 20 | 6T | 6V | 3 | 6V | |





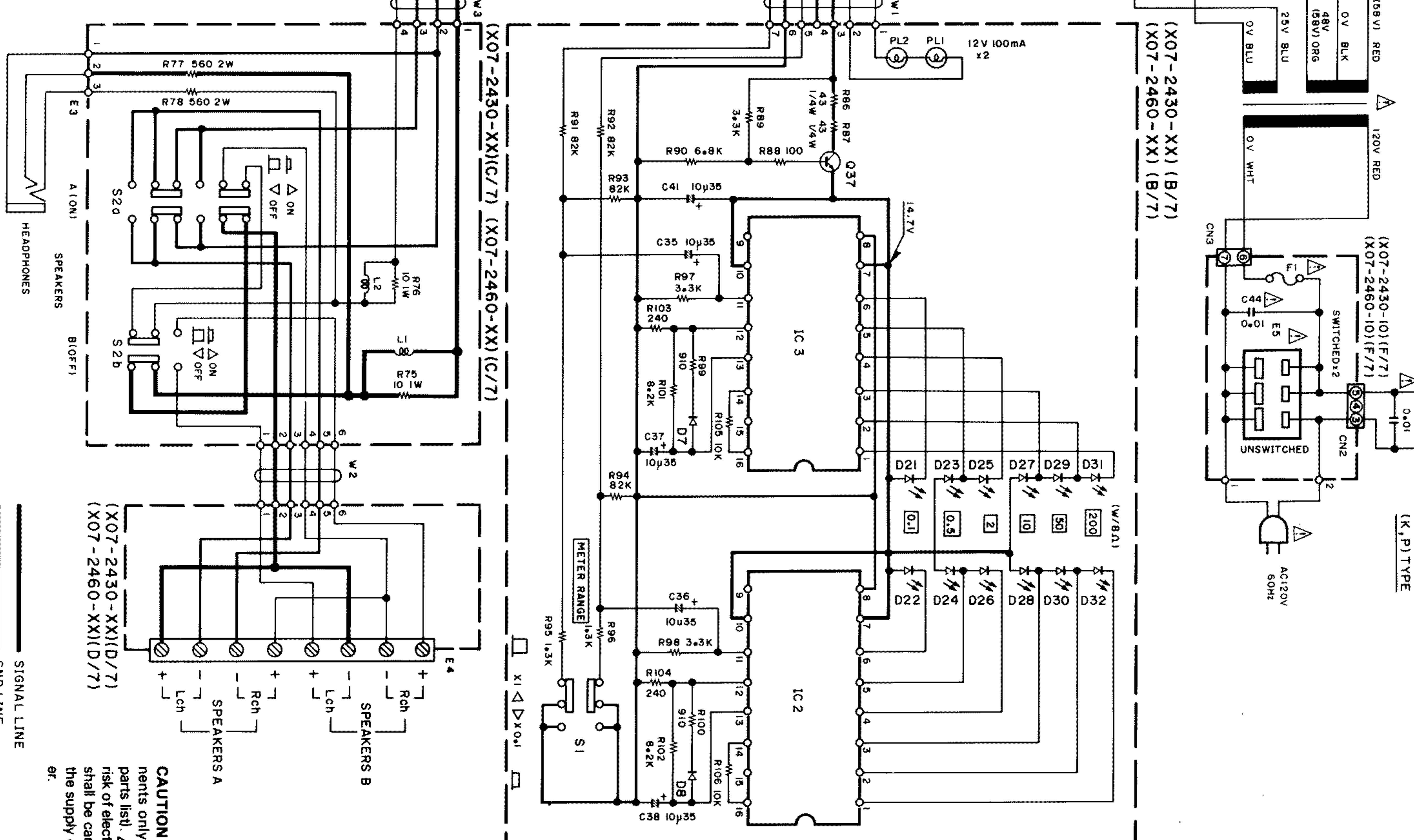
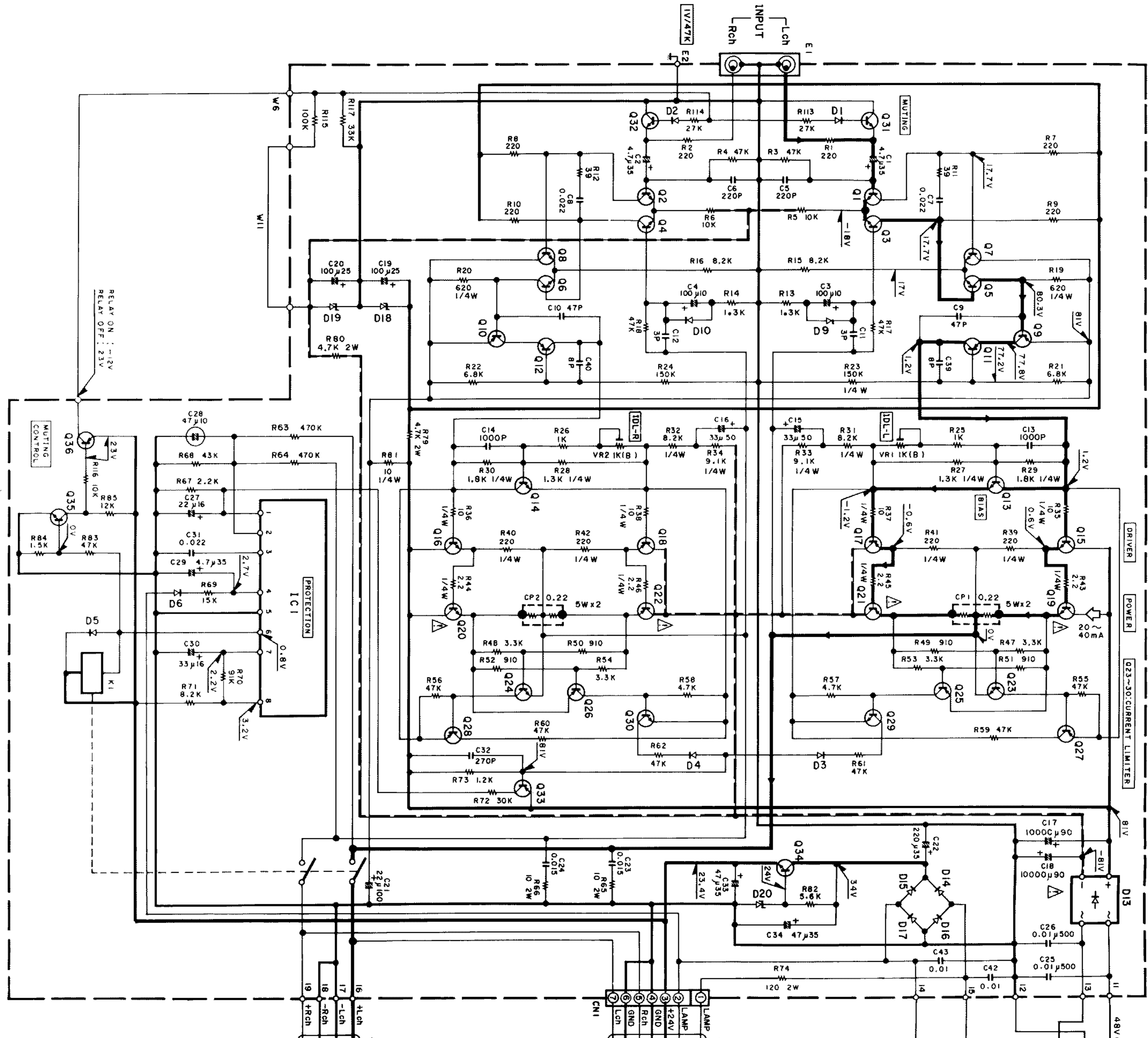
INPUT
POWER AMPLIFIER UNIT (A/7)

SPEAKERS
A



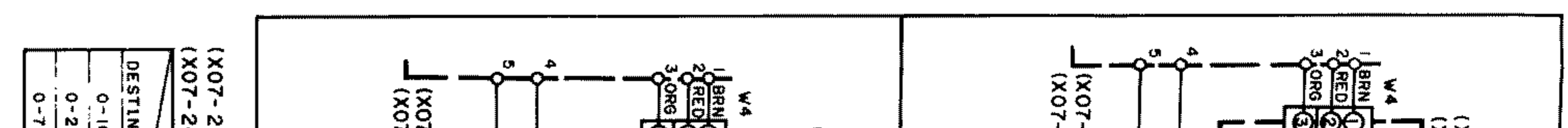
AC120V
60Hz

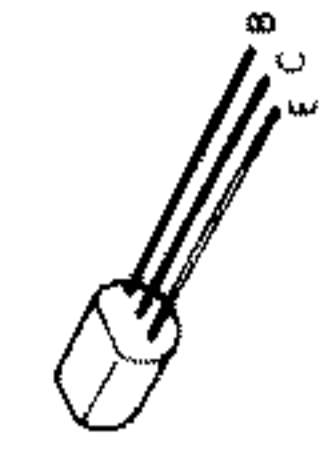
(X07-2430-XX)(A/7)
(X07-2460-XX)(A/7)



— SIGNAL LINE
— GND LINE
— +B LINE
- - -B LINE

CAUTION: For continued safety, only with manufacturer's parts list. Indicates safety risk of electric shock, leakage shall be carried out (expose the supply circuit) before the or.





- 2SA1124
- 2SA733(A)
- 2SA992
- 2SC1845
- 2SC2003
- 2SC2631
- 2SC945(A)
- 2SD1302
- 2SC2590



- 2SA1216LB



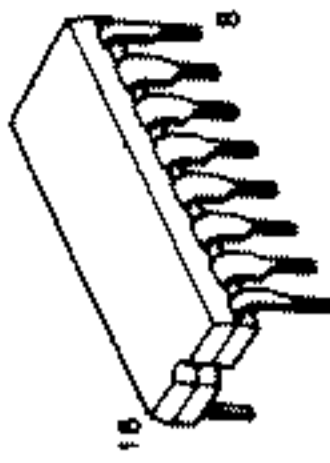
- 2SC3419



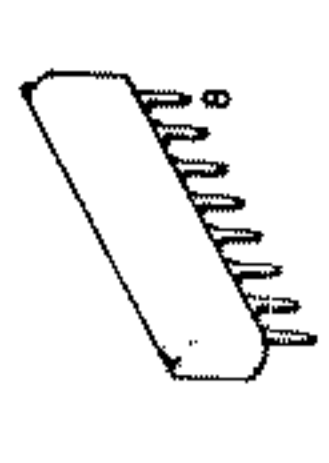
- 2SA1535A
- 2SC944A



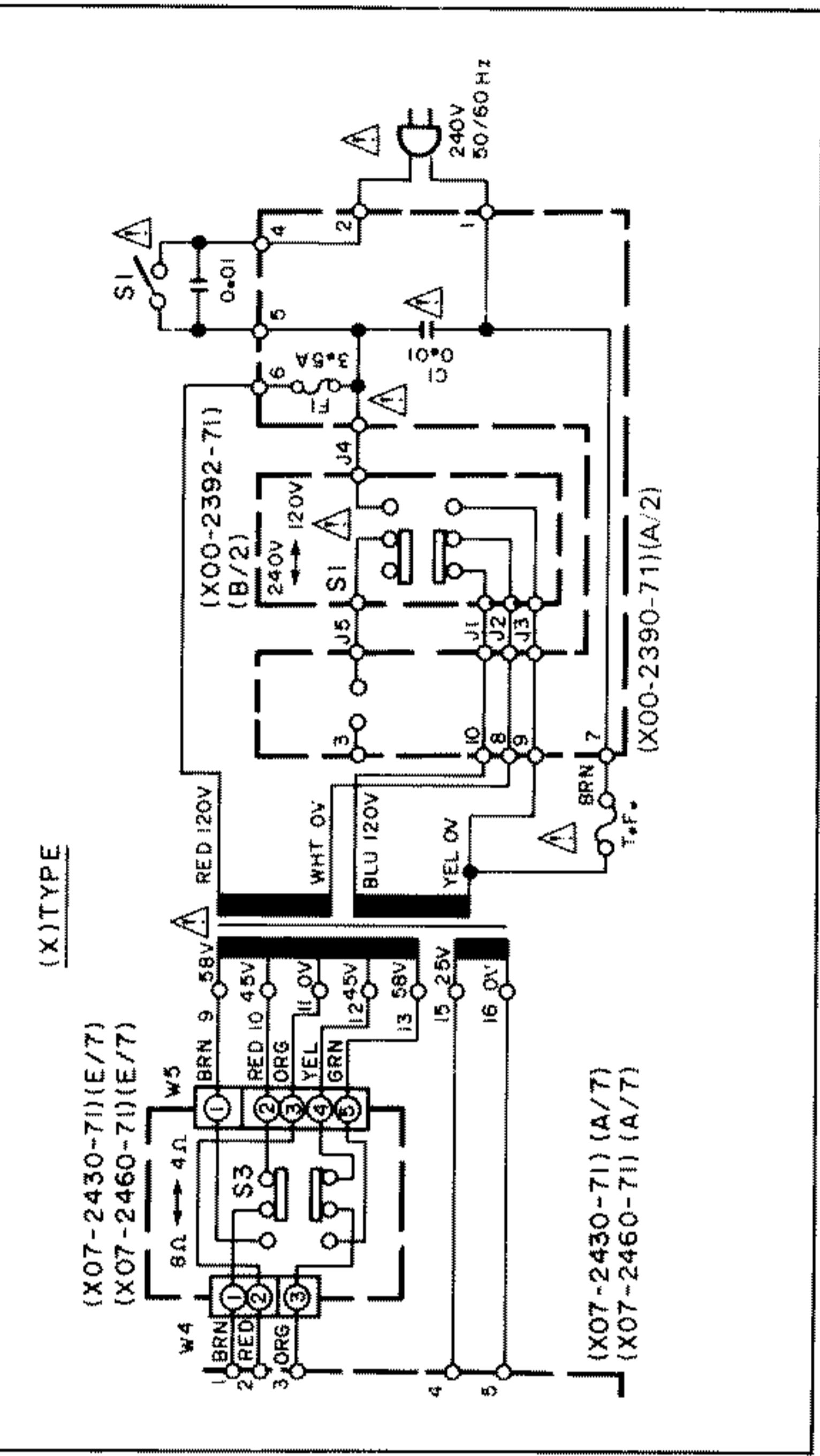
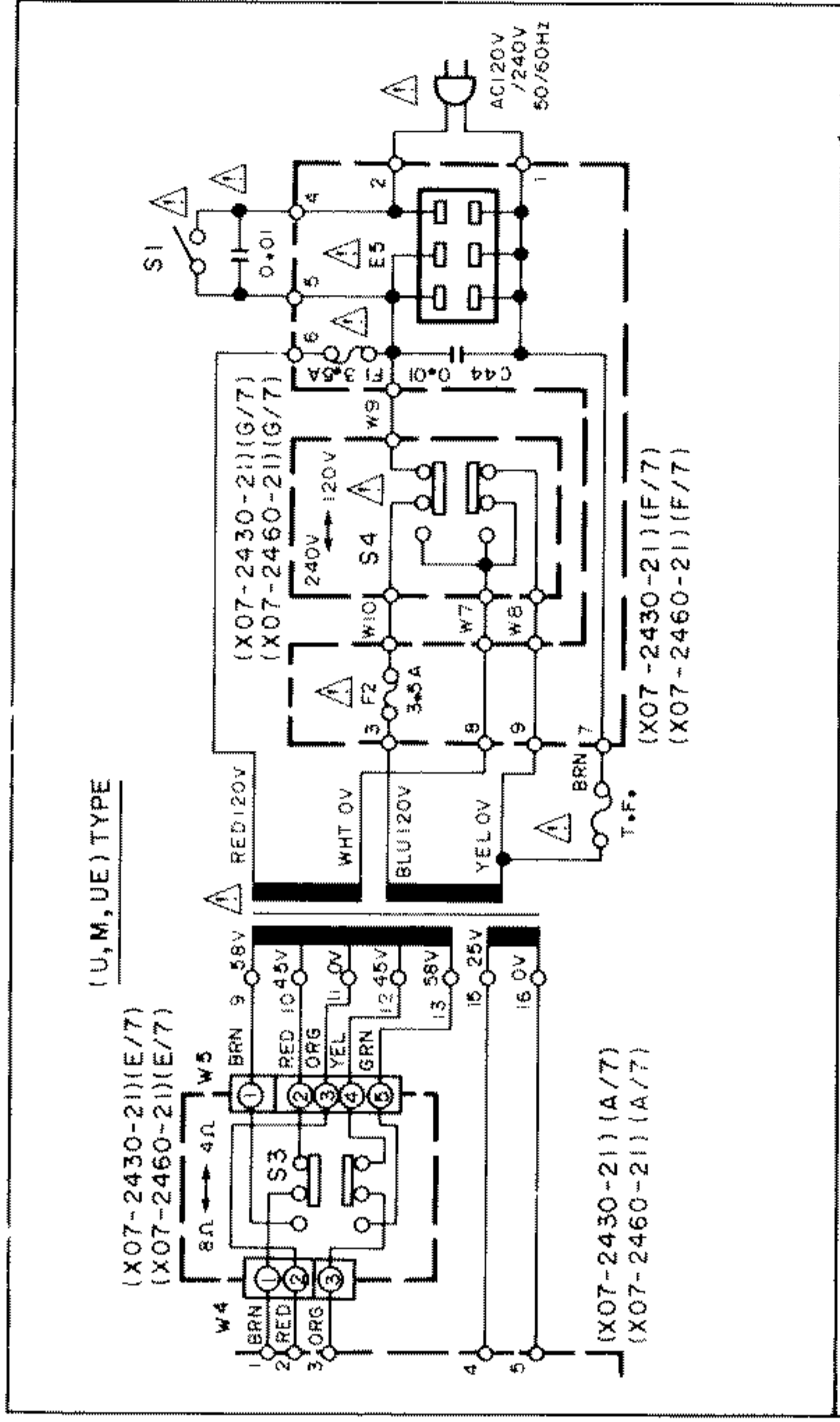
- 2SC2922LB



- AN6882



- UPC1237HA



(X07-2430-XX) JAPAN MADE
(X07-2460-XX) SINGAPORE MADE

| DESTINATION | REF. NO. | E/F | F/T | G/7 | J92 | J93,94 |
|-------------|----------|-----|-----|-----|-----|--------|
| 0-10 | K | NO | NO | NO | YES | YES |
| 0-21 | U, M, UE | YES | YES | YES | YES | NO |
| 0-71 | X | YES | NO | NO | NO | NO |

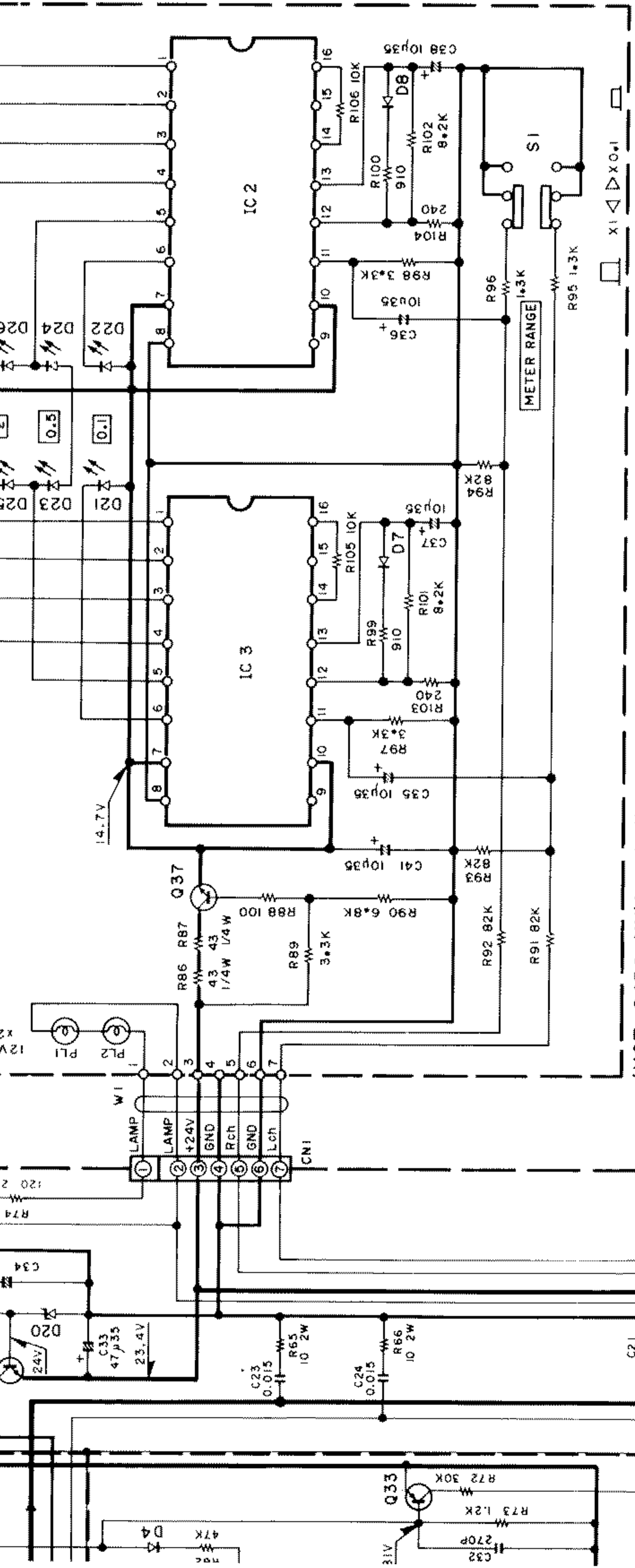
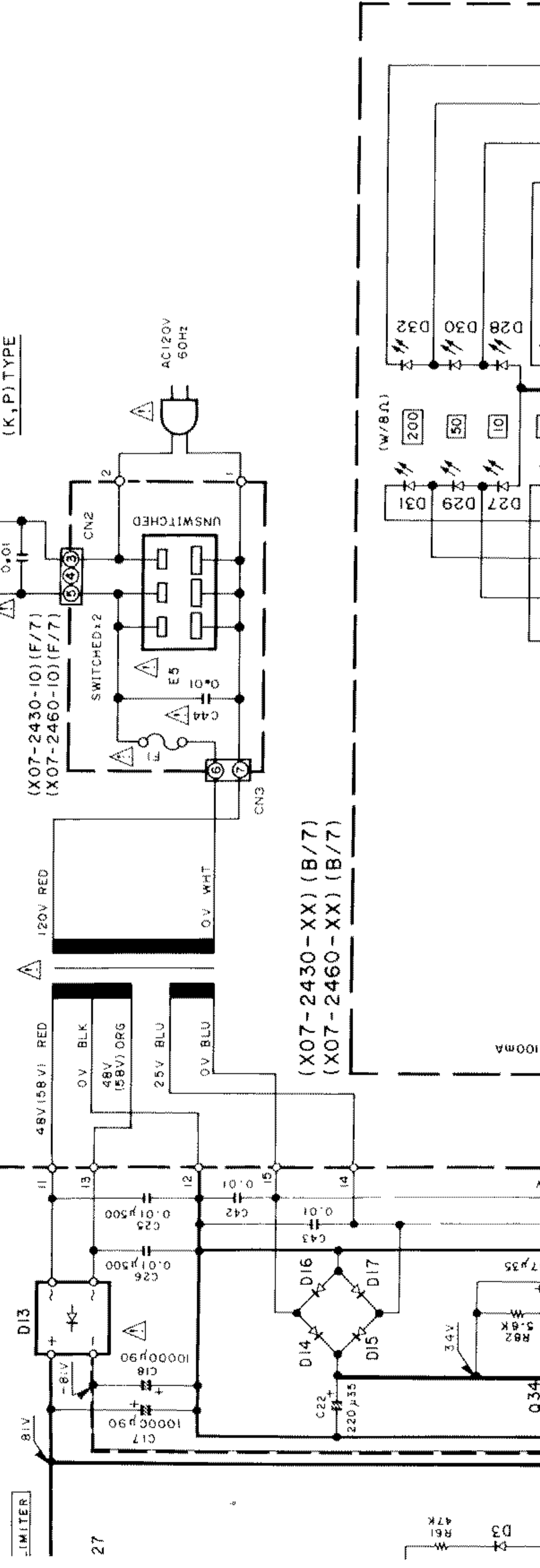
- IC1 : JPC1237HA
- IC2,3 : AN6882
- Q1~4 : 2SC1845(F, E)
- Q5~8, 23, 24, 35 : 2SC945(A)(Q, P) or 2SC1740S(Q, R)
- Q9, 10, 25~28, 36 : 2SA733(A)(Q, P) or 2SA933S(Q, R)
- Q11, 12 : 2SA1124(Q, R)
- Q13, 14 : 2SC3419(Y)
- Q15, 16 : 2SC3944A(Q, R)
- Q17, 18 : 2SA1535A(Q, R)
- Q19, 20 : 2SC2922LB
- Q21, 22 : 2SA1216 LB
- Q29, 30 : 2SC2631(Q, R, S)
- Q31, 32 : 2SD1302(S, T)
- Q33 : 2SA992(F, E)
- Q34 : 2SC2590(Q, R)
- Q37 : 2SC2003(L, K)
- D1, 2, 7~10 : ISS133 or ISS176
- D3~6 : ISS131 or ISS178
- D13 : S15VB20
- D14~17 : DSM1A1 or S566B
- D18, 19 : RD18ES(B) or HZS18N(B)
- D20 : RD24ES(B) or HZS24N(B)
- D21~32 : B30-0431-06

DC voltages are as measured with a high impedance voltmeter with a cassette loaded at playback mode. Values may vary slightly due to variations between individual instruments or/and units. Bias circuit DC voltages are as measured while in the record mode.

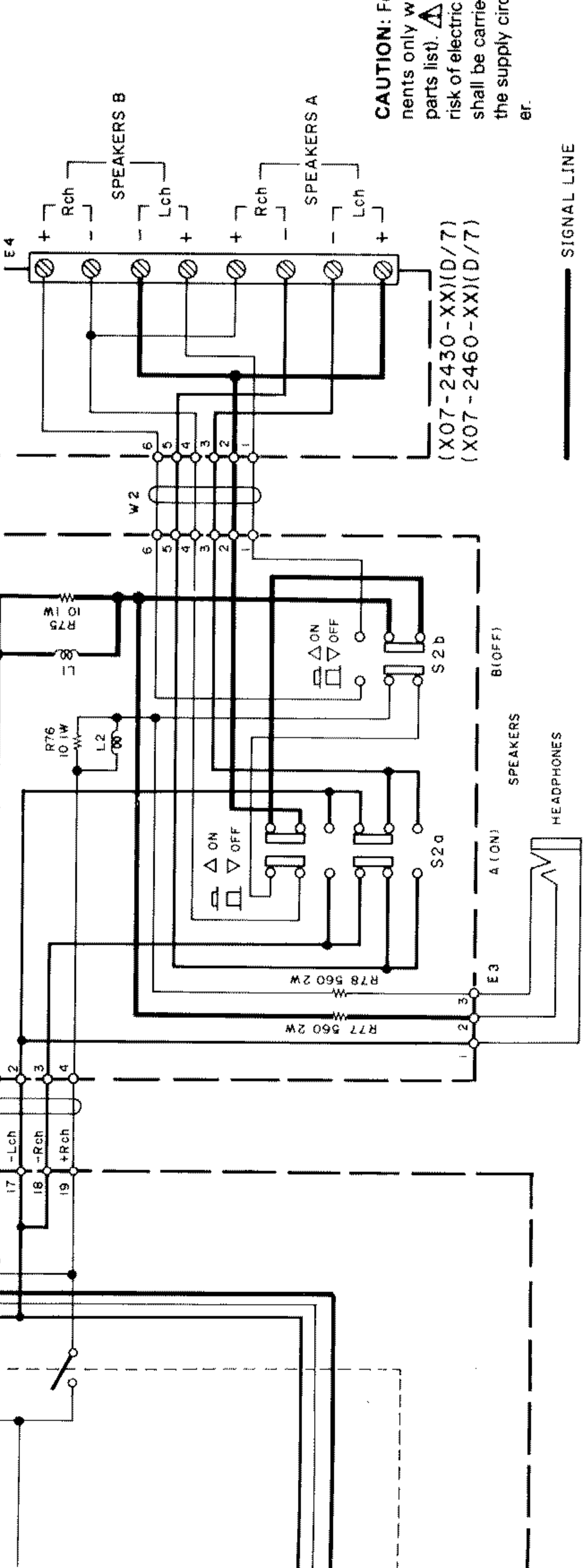
Les tensions c.c. doivent être mesurées avec un voltmètre à haute impédance, une cassette étant insérée en mode de lecture. Les valeurs peuvent différer légèrement du fait des variations inhérentes aux appareils et aux instruments de mesure individuels.

Les tensions c.c. du circuit de polarité doivent être mesurées, l'appareil étant en mode d'enregistrement.

Die angegebenen Gleichspannungswerte wurden bei eingesetzter Cassette in der Wiedergabe mit einem hochohmigen Spannungsmesser gemessen. Dabei schwanken die Meßwerte aufgrund von Unterschieden zwischen einzelnen Instrumenten oder Geräten u. U. geringfügig. Die angegebenen Gleichspannungswerte der Vormagnetisierungsschaltung wurden in der Aufnahme-Betriebsart gemessen.

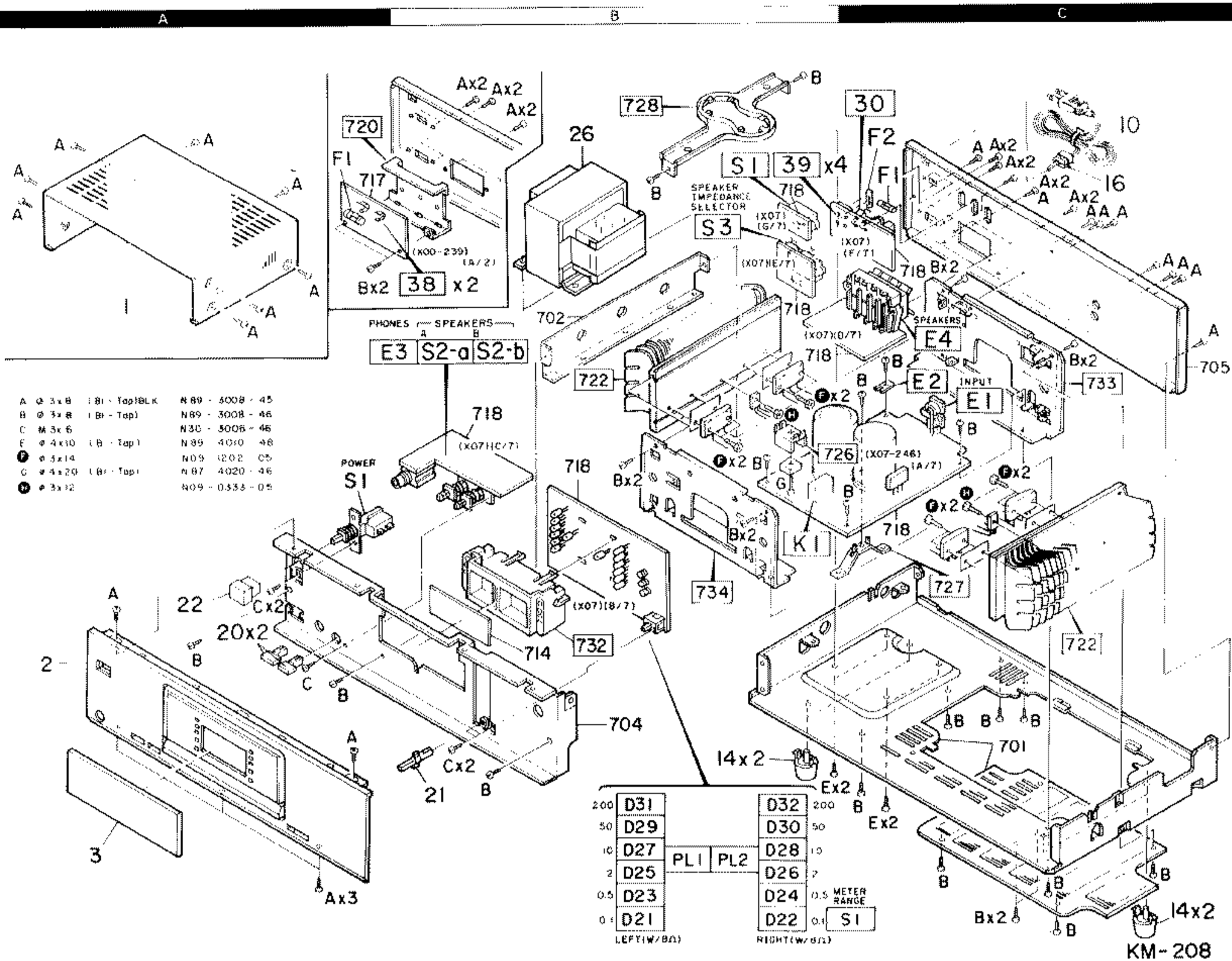


(X07-2430-XX)(C/7) (X07-2460-XX)(C/7)



CAUTION: For continued safety, replace safety critical components only with manufacturer's recommended parts (refer to parts list). **Δ** indicates safety critical components. To reduce the risk of electric shock, leakage-current or resistance measurements shall be carried out (exposed parts are acceptably insulated from the supply circuit) before the appliance is returned to the customer.

EXPLODED VIEW



| | | | |
|---|------|---------------|-----------------|
| A | 3x8 | (B) - Top/BLK | N89 - 3008 - 45 |
| B | 3x8 | (B) - Top | N89 - 3008 - 46 |
| C | 3x6 | (B) - Top | N30 - 3006 - 46 |
| E | 4x10 | (B) - Top | N89 - 4010 - 48 |
| F | 5x14 | (B) - Top | N09 - 4020 - 05 |
| G | 4x20 | (B) - Top | N87 - 4020 - 46 |
| H | 3x12 | (B) - Top | N09 - 0333 - 05 |

Parts with the exploded numbers larger than 700 are not supplied.

PARTS LIST

* Saw Parts
Parts without Parts No. are not supplied.
Les articles non mentionnés dans le Parts No. ne sont pas fournis.
Teile ohne Parts No. werden nicht geliefert.

| Ref. No. | Address | Part No. | Description | Desti- Nation |
|----------|---------|-------------|---|------------------|
| 1 | 1A | A01-1741-01 | METALLIC CABINET | |
| 2 | 2A | A20-5754-02 | PANEL ASSY | |
| 3 | 2A | B10-1003-03 | FRONT GLASS | |
| | | B46-0092-03 | WARRANTY CARD | |
| | | B46-0094-03 | WARRANTY CARD | |
| | | B46-0095-03 | WARRANTY CARD | |
| | | B46-0096-13 | WARRANTY CARD | |
| | | B46-0121-03 | WARRANTY CARD | |
| | | B50-9623-00 | INSTRUCTION MANUAL | |
| | | B50-9624-00 | INSTRUCTION MANUAL | |
| | | B50-9625-00 | INSTRUCTION MANUAL | |
| | | B58-0223-04 | CAUTION CARD (PRE-SET 120V) | |
| | | B58-0513-04 | CAUTION CARD (PRESET220-240) | |
| | | E30-0812-05 | AC POWER CORD | |
| | | E30-1341-05 | AC POWER CORD | |
| | | E30-2209-05 | AC POWER CORD | |
| | | F05-3522-05 | FUSE (SEMFR) | |
| | | F05-7026-05 | FUSE (UL) | |
| | | F05-3523-05 | FUSE (250V 3.5A) | |
| | | H01-8511-04 | ITEM CARTON CASE | |
| | | H10-3847-02 | POLYSTYRENE FOAMED FIXTURE | |
| | | H10-3848-02 | POLYSTYRENE FOAMED FIXTURE | |
| | | H25-0223-04 | PROTECTION BAG (750X350X0.03) | |
| | | H25-0232-04 | PROTECTION BAG (235X350X0.03) | |
| | | J02-1013-05 | F88T | |
| | | J42-0083-05 | POWER CORD BUSHING | |
| | | J61-0307-05 | WIRE BAND | |
| | | K27-0742-14 | KNOB (BUTTON) | |
| | | K27-1966-04 | KNOB (BUTTON) | |
| | | K27-1965-04 | KNOB (BUTTON) | |
| | | L01-7901-05 | POWER TRANSFORMER | |
| | | L01-7905-05 | POWER TRANSFORMER | |
| | | N30-3006-46 | PAN HEAD MACHINE SCREW | |
| | | S40-1094-05 | PUSH SWITCH (POWER) | |
| | | S40-2126-05 | SLIDE SWITCH (POWER TYPE) | |
| | | S40-0647-05 | CERAMIC | |
| | | J13-0054-05 | FUSE CLIP | |
| | | J61-0307-05 | WIRE BAND | |
| | | S31-2126-05 | SLIDE SWITCH (POWER TYPE) | |
| | | D21-332 | POWER AMPLIFIER UNIT (X07-2460-10: K, P, 0-21: U, UE, M, 0-71: X) | |
| | | PL1, 2 | LAMP (12V, 0.1A) | |
| | | C1-2 | ELECTROLYTIC CAPACITOR (4.7UF 35MV) | |
| | | C3-4 | ELECTROLYTIC CAPACITOR (100UF 100V) | |
| | | C5-6 | ELECTROLYTIC CAPACITOR (220UF 50V) | |
| | | C7-8 | ELECTROLYTIC CAPACITOR (0.022UF 50V) | |
| | | C9-10 | CERAMIC CAPACITOR (47PF J) | |

E: Scandinavia & Europe K: USA P: Canada
U: Pacific East Hawaii T: England M: Other Areas
UE: AAFES(Europe) X: Australia

▲ indicates safety critical components