

SPECIFICATION

For U.S.A. and Canada

Rated Power Output

150 watts per channel minimum RMS, both channels driven, at 8 Ω from 20 Hz to 20,000 Hz with no more than 0.03% total harmonic distortion. (FTC)

Total Harmonic Distortion

20 Hz to 20,000 Hz 0.015% at 1/2 rated power into 8Ω
 1 kHz 0.002% at 1/2 rated power into 8Ω

Inter Modulation Distortion

(60 Hz:7 kHz = 4:1) 0.002% at rated power into 8Ω

Frequency Response

5 Hz to 200 kHz, +0 dB, -3 dB

Signal-to-Noise Ratio (IHF-A)

120 dB (MAIN IN)

Damping Factor

More than 35 at 50 Hz into 8Ω

General

5 A

Power Consumption

UNSWITCHED 2; (Total 100 W, 0.8 A max.)

Dimensions

W: 440 mm (17-5/8")
 H: 133 mm (5-1/4")
 D: 276 mm (10-7/8")

Weight (net) 8.6 kg (19.0 lb)

Note:

KENWOOD follows a policy of continuous advancements in development. For this reason specifications may be changed without notice.

Note:
 Component and circuitry are subject to modification to insure best operation under differing local conditions. This manual is based on the Other Areas (MI) standard, and provides information on regional circuit modification through use of alternate schematic diagrams, and information on regional component variations through use of parts list.

KENWOOD CORPORATION

STEREO SHOUNA Building 179, 2-1-1 Shouna, Saitama Pref. 341, Japan
KENWOOD U.S.A. CORPORATION
 1107 East Orangeburg Street, P.O. Box 101, Orangeburg, S.C. 29117, U.S.A.
KENWOOD ELECTRONICS CANADA INC.
 P.O. Box 101, 1107 East Orangeburg Street, Orangeburg, S.C. 29117, U.S.A.
KENWOOD U.K. LIMITED
 KENWOOD House, 24, 9th Floor, Watford 1, Herts. WD1 8EB, United Kingdom
KENWOOD ELECTRONICS BENEUX N.V.
 Zandvoortweg 105, B-1914 Zandvoort, Belgium
KENWOOD ELECTRONICS DEUTSCHLAND GMBH
 Hauptstr. 51, D-8038 Regensburg, Germany
TRIO KENWOOD FRANCE S.A.
 11, Boulevard des Capucines, 75001 Paris, France
KENWOOD LINEAR S.p.A.
 47036, VIA AND. VIA ABBE, 391, Italy
KENWOOD ELECTRONICS AUSTRALIA PTY LTD.
 P.O. Box 504, 8 Fingtree Drive, Australia Centre, Mudgee, N.S.W. 2340, Australia
KENWOOD & LEE ELECTRONICS LTD.
 Metro King Building, 4th Floor, 34-37, Crossways Road, Ching Hai, Hong Kong

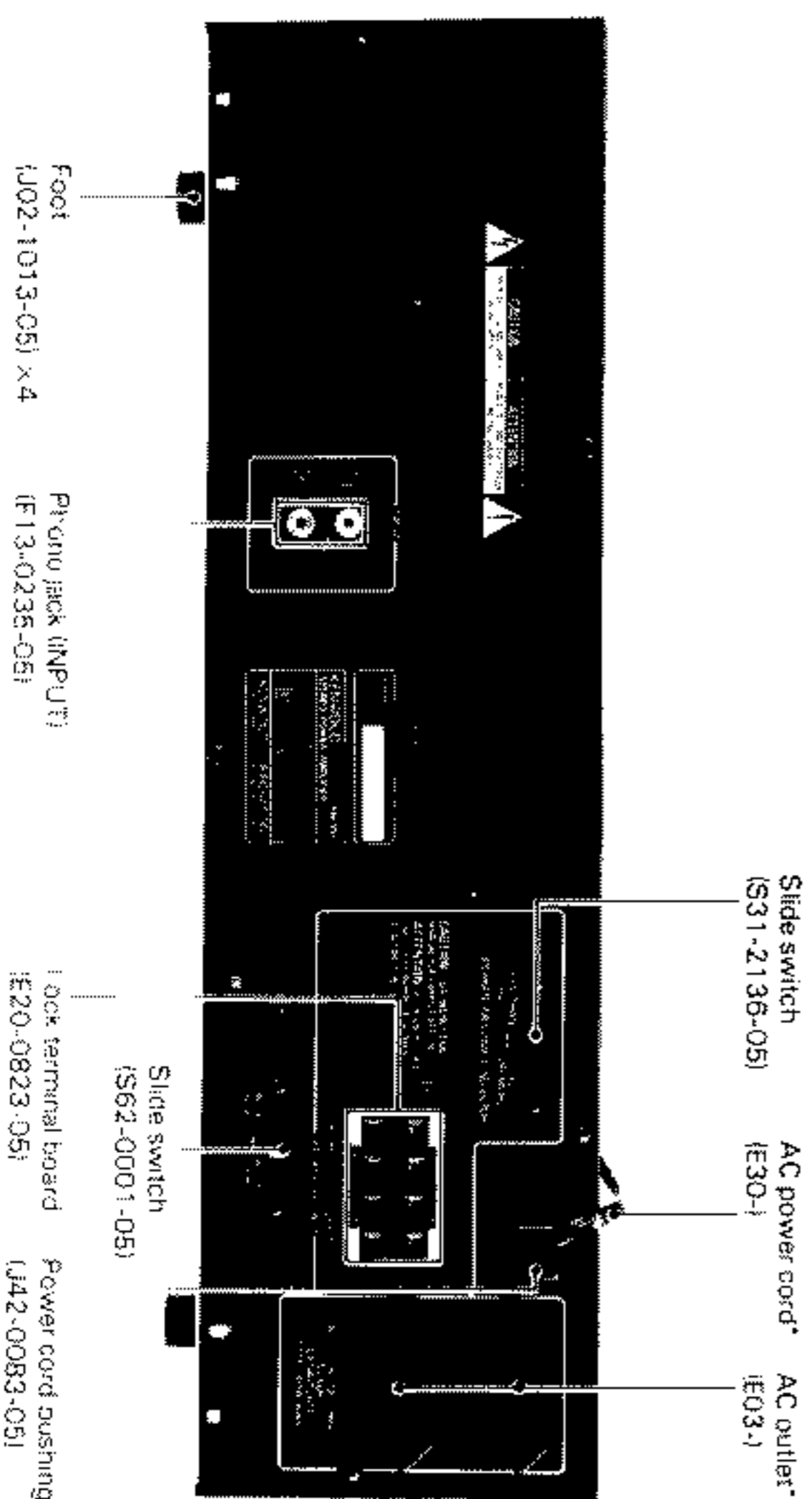
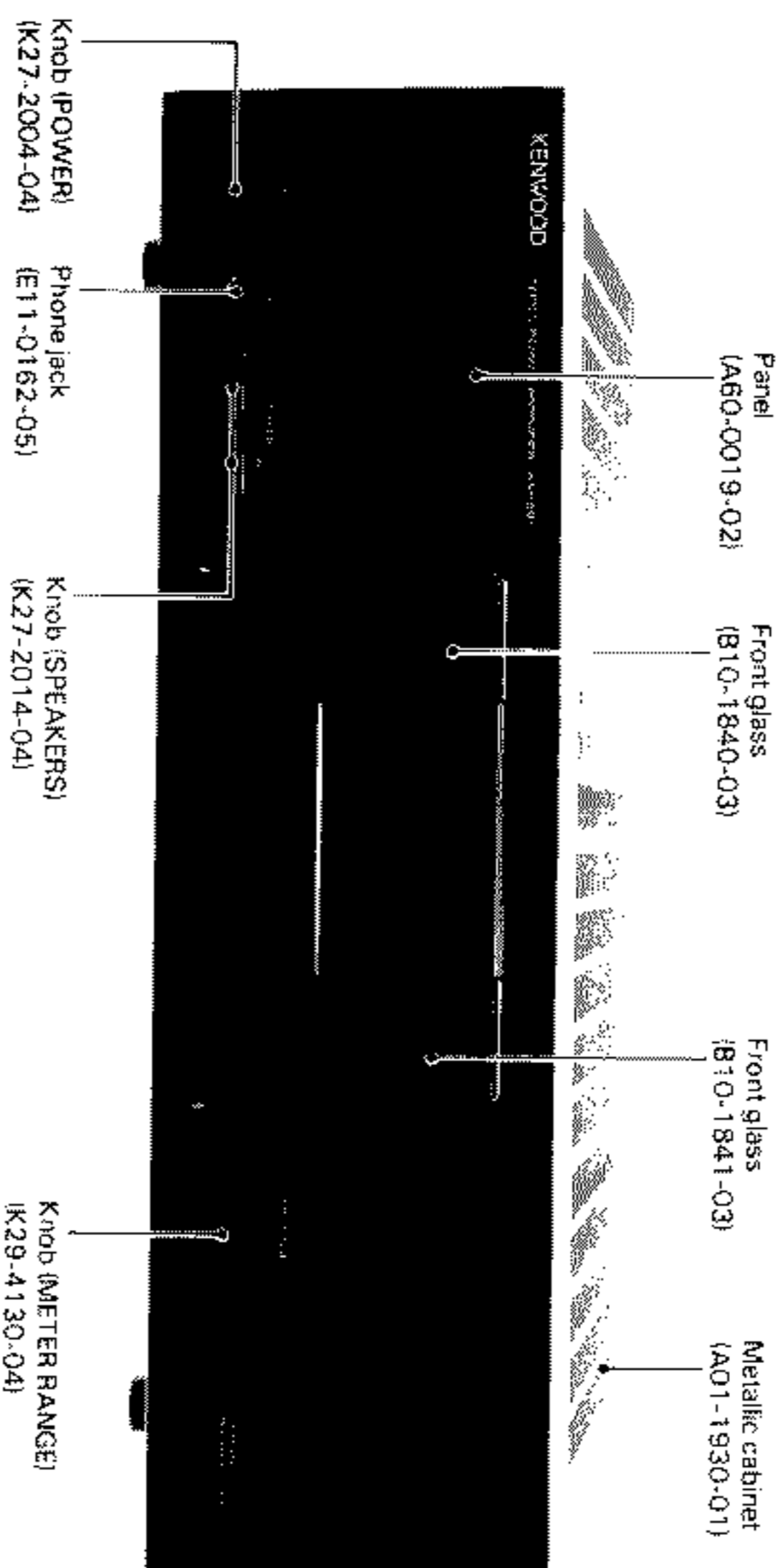
STEREO POWER AMPLIFIER

KM-991

SERVICE MANUAL

KENWOOD

©1991-2 PRINTED IN JAPAN
 R51-4987-0M/S1026A

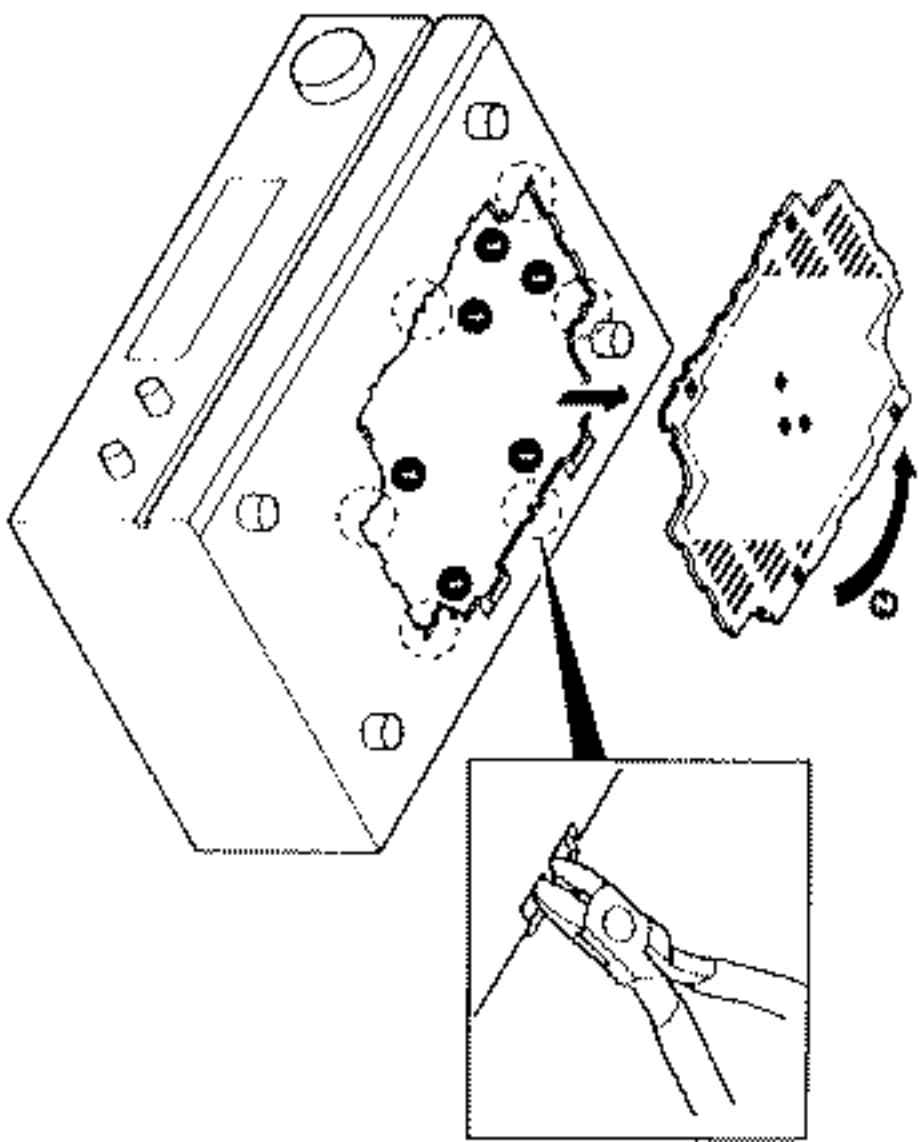


* Refer to parts list on page 12.

DISASSEMBLY FOR REPAIR

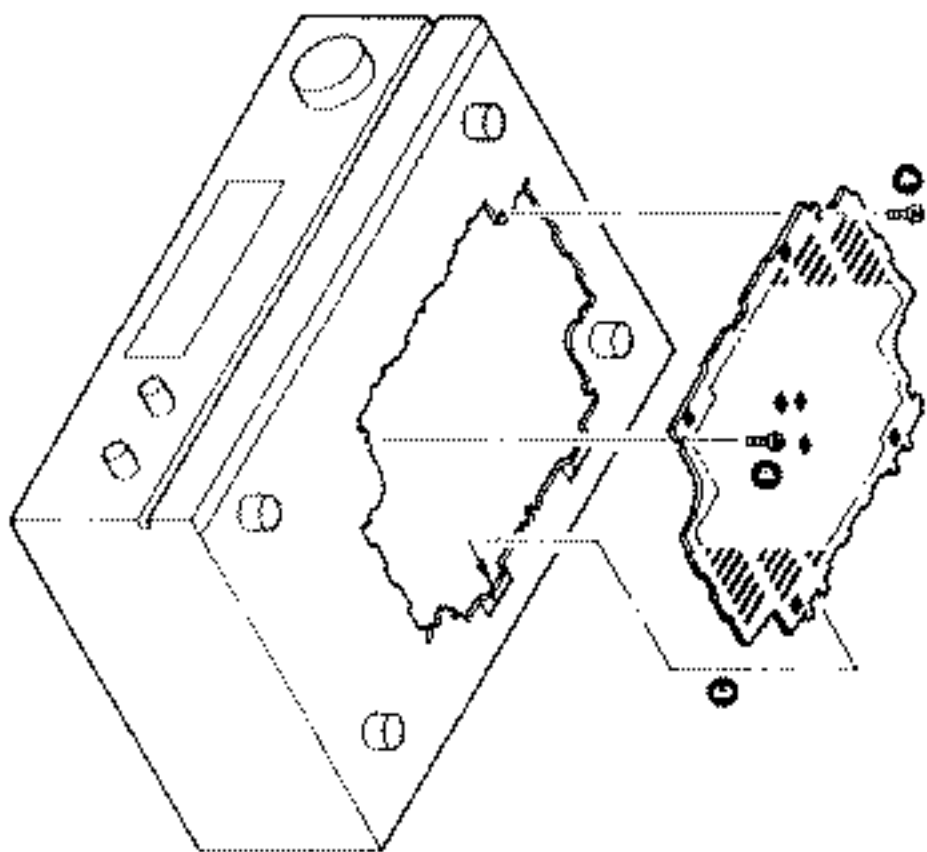
How to remove the repairing chassis

- 1 Cut the 6 parts ① of the repairing chassis. Remove the repairing chassis from main chassis



After repair

- 2 Turn the repairing chassis 180 degrees in the arrow direction ②.
- 3 Insert the 2 claws ③ into main chassis
- 4 Lock to the main chassis by 2 screws (M3 x 6) ④



ADJUSTMENT/REGLAGES/ABGLEICH

ADJUSTMENT

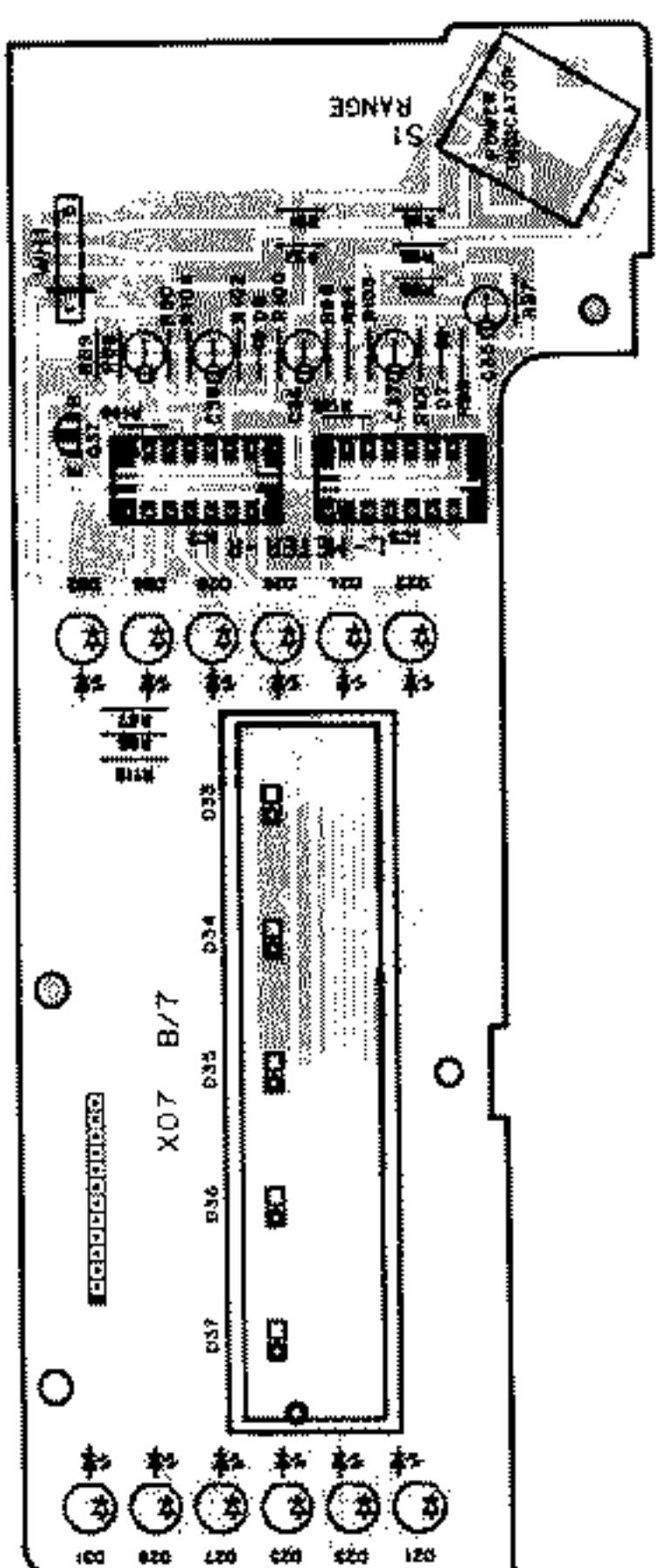
No.	ITEM	INPUT SETTINGS	OUTPUT SETTINGS	AMPLIFIER SETTING	ALIGNMENT POINTS	ALIGN FOR	FIG.
1	IDLE CURRENT	-	Connect a DC voltmeter across CP1 (L) CP2 (R)	VOLUME: 0	VR1 (L) VR2 (R)	9-18mV	(a)

REGLAGES

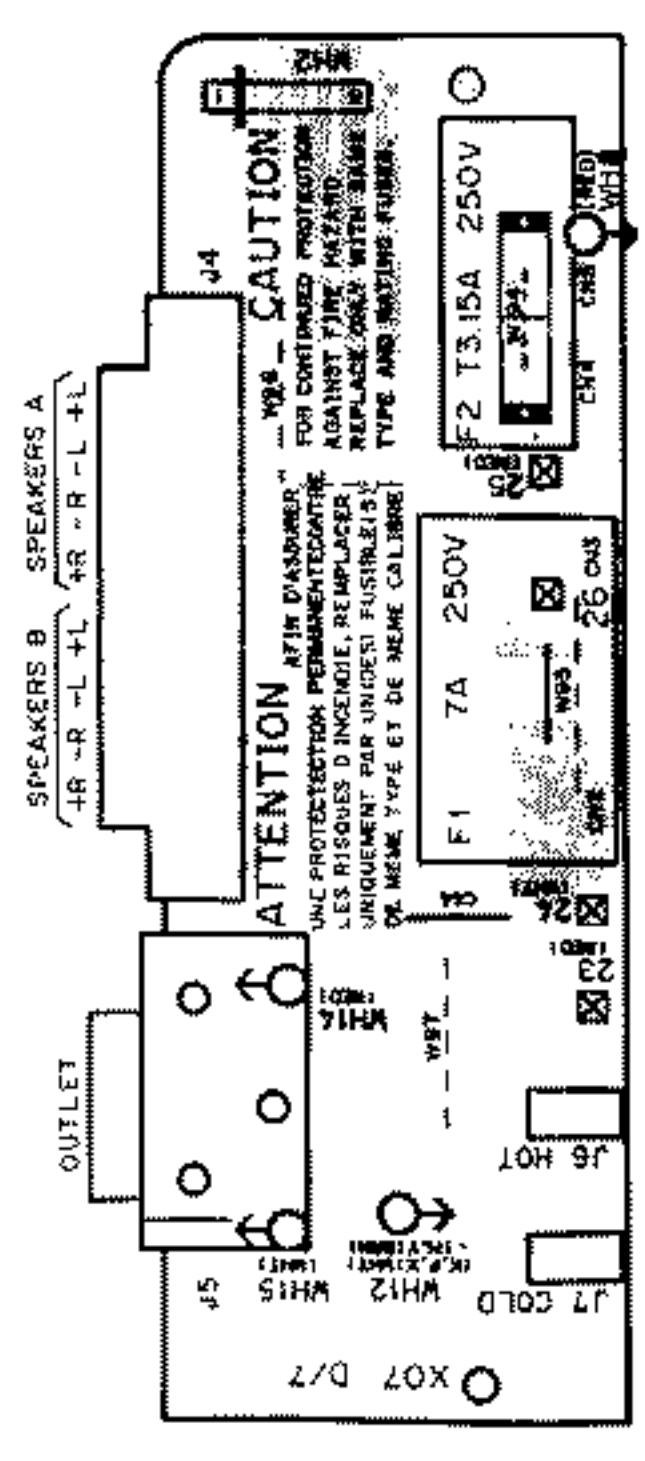
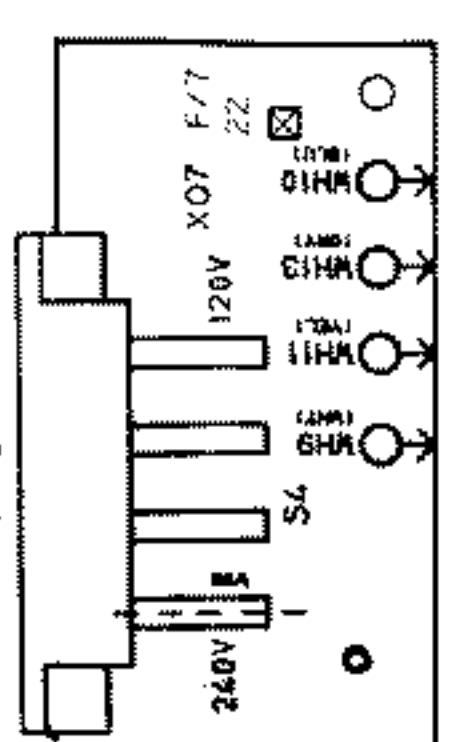
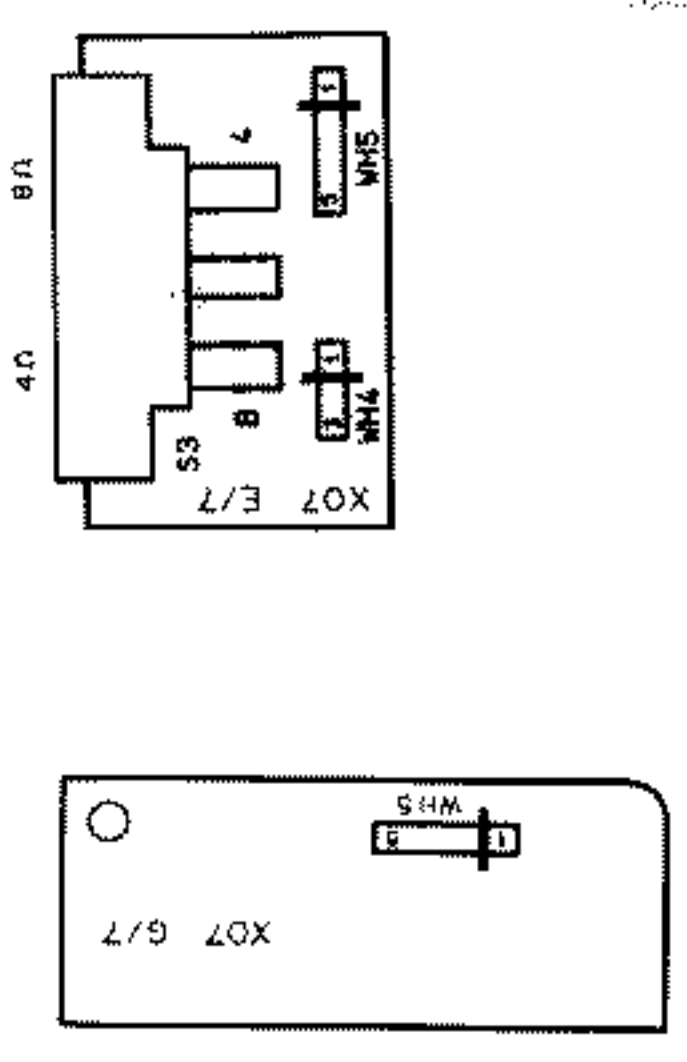
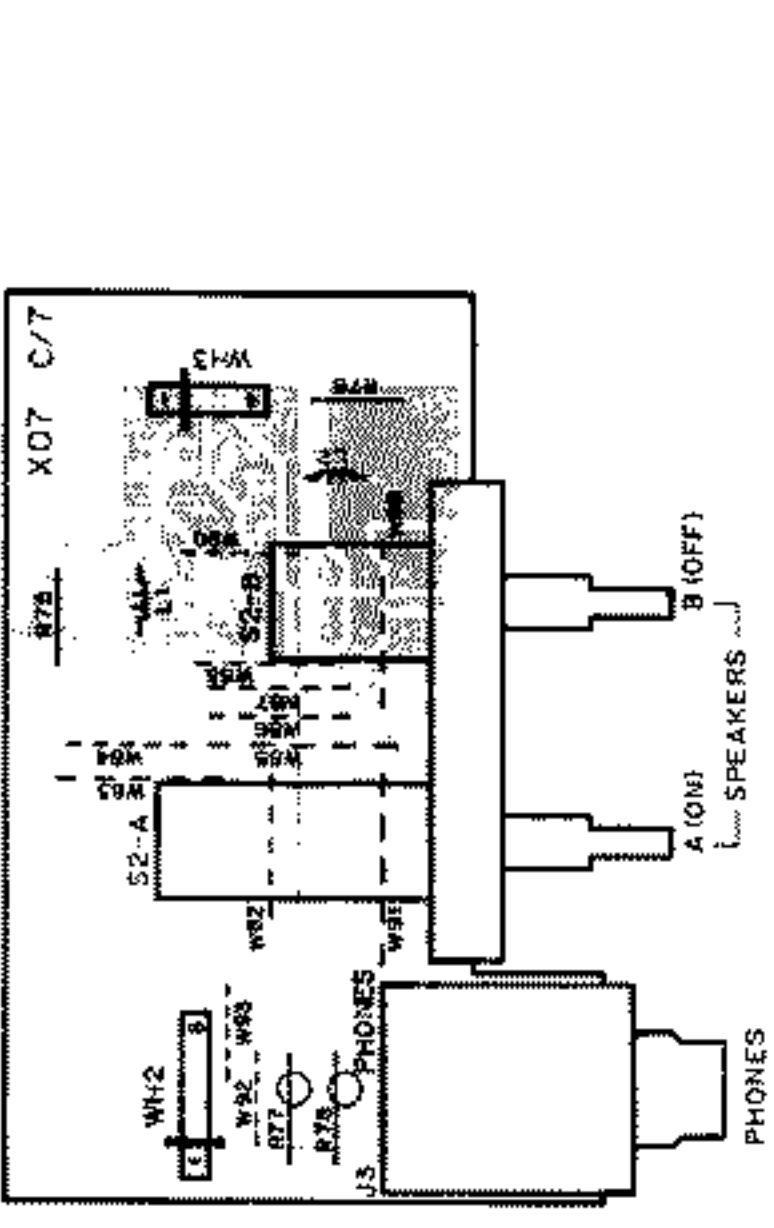
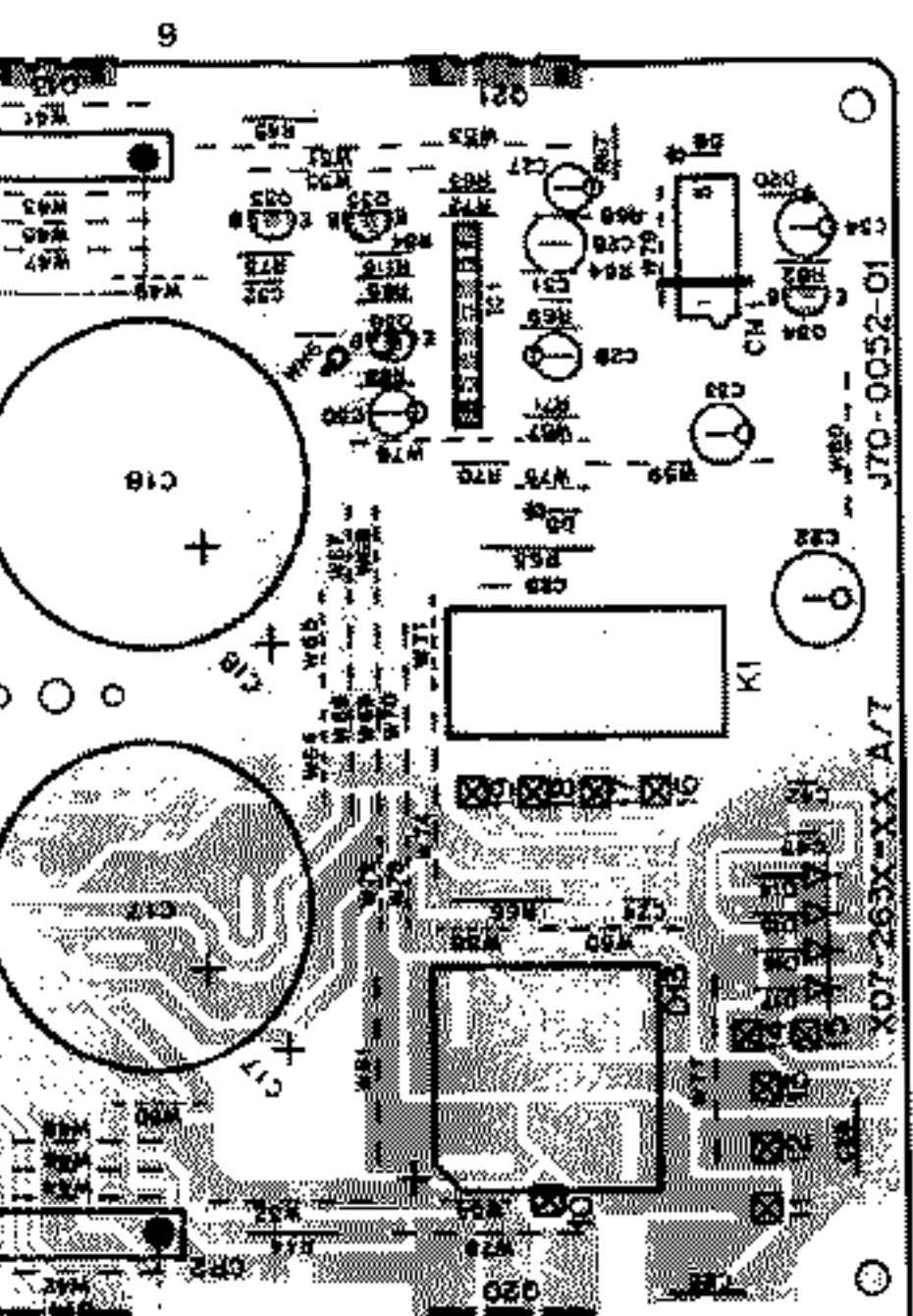
N°	ITEM	REGLAGE DE L'ENTREE	REGLAGE DE LA SORTIE	REGULAGE DE L'AMPLIFICATEUR	POINTS DE L'ALIGNEMENT	ALIGNER POUR	FIG.
1	COURANT DE POLARISATION	-	Connecter un voltmètre de DC sur CP1 (L) CP2 (R)	VOLUME: 0	VR1 (G) VR2 (D)	9-18mV	(a)

ABGLEICH

KR	GENGENSTAND EINSTELLUNG	AUSSAGE EINSTELLUNG	VORSTÄRKER EINSTELLUNG	ABGLEICHE PUNKTE	ABGLEICHEN FÜR	ABB.
1	BEREITUNGSTROM	Einen Gleichspannungsmesser über CP1 (L) CP2 (R) anschließen.	VOLUME: 0	VR1 (L) VR2 (R)	9-18mV	(a)



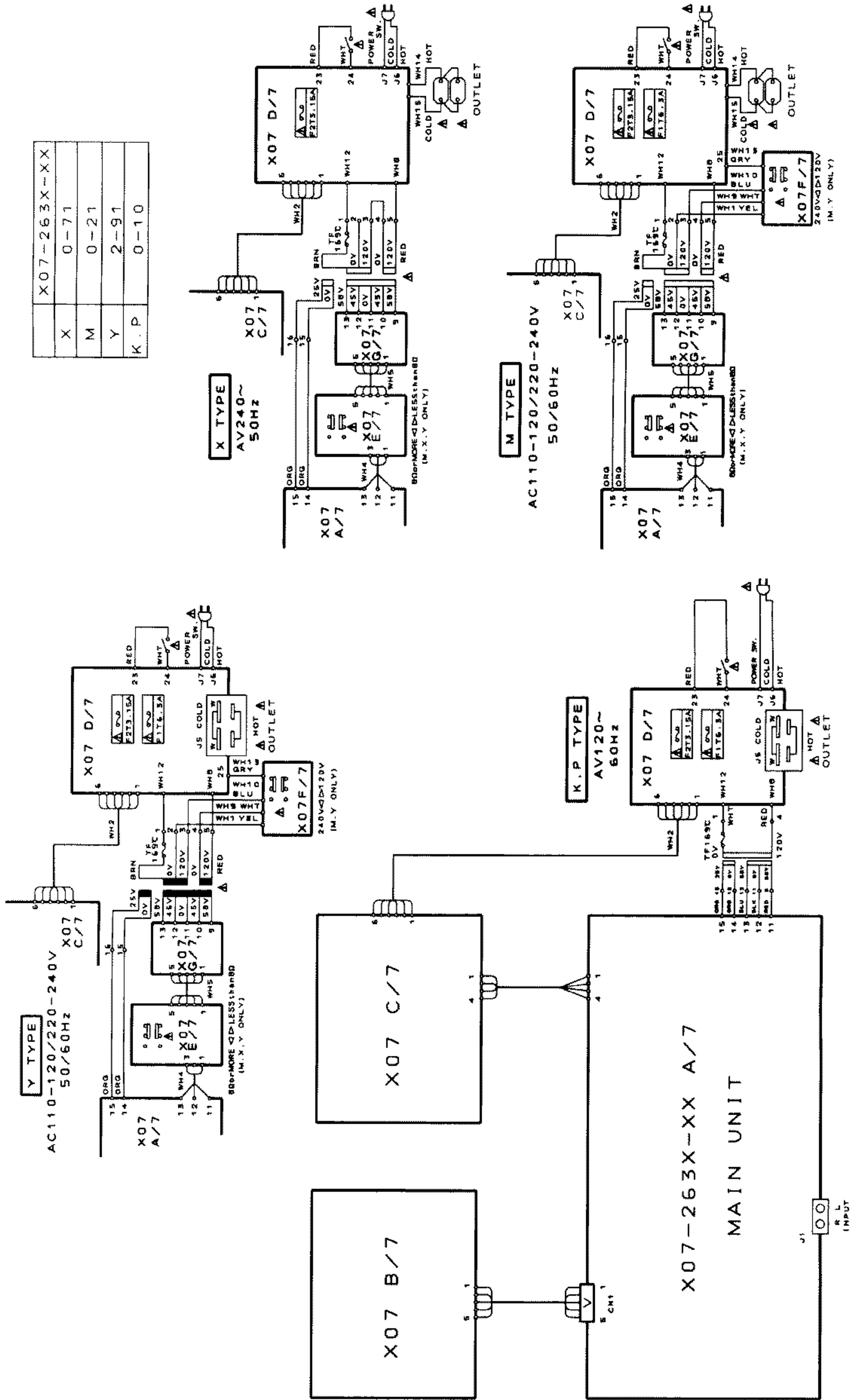
PC BOARD (Component side view)



Refer to the schematic diagram for the values of resistors and capacitors

KM-991 KM-991

WIRING DIAGRAM



* New Parts
 Parts without Parts No. are not supplied.
 Les articles non mentionnés dans le Parts No. ne sont pas fournis.
 Teile ohne Parts No. werden nicht geliefert.

No. 2

Ref. No. 参照番号	Address 位置	New Parts 新	Parts No. 部品番号	Description 部品名/規格	Desti- nation 仕向	Re- marks 備考
C7	.8		CQ92FM1H223J	MYLAR 0.022UF J		
C9	.10		CC45FSL1H470J	CERAMIC 47PF J		
C11	.12		CC45FSL1H030C	CERAMIC 3.0PF C		
C13	.14		CQ92FM1H102J	MYLAR 1000PF J		
C15	.16		CE04LW1H330M	ELECTRO 33UF 50WV		
C17	.18		C90-1967-05	ELECTRO 10000UF 90WV		
C19	.20		CE04LW1E101M	ELECTRO 100UF 25WV		
C21			CE04LW2A220M	ELECTRO 22UF 100WV		
C22			CE04LW1V221M	ELECTRO 22UF 35WV		
C23	.24		CQ92FM1H153J	MYLAR 0.015UF J		
C25	.26		CK45FE2H103P	CERAMIC 0.010UF P		
C27			CE04LW1C220M	ELECTRO 22UF 16WV		
C28			C90-1334-05	NP-ELEC 47UF 10WV		
C29			CE04LW1V4R7M	ELECTRO 4.7UF 35WV		
C30			CE04LW1C330M	ELECTRO 33UF 16WV		
C31			CQ92FM1H223J	MYLAR 0.022UF J		
C32			CC45FSL1H271J	CERAMIC 270PF J		
C33	.34		CE04LW1V470M	ELECTRO 47UF 35WV		
C35	.38		CE04LW1V100M	ELECTRO 10UF 35WV		
C39	.40		CC45FSL1H080C	CERAMIC 8.0PF D		
C41			CE04LW1V100M	ELECTRO 10UF 35WV		
C42	.43		CK45FPH103Z	CERAMIC 0.010UF Z		
C44			C91-3971-05	FILM 0.01UF 250WV		
J1			E13-0235-05	PHONE JACK INPUT		
J3			E11-0162-05	PHONE JACK (3P) HEAD PHONE		
J4			E20-0823-05	LOCK TERMINAL BOARD (8P) SPEAKERS	KPY	
J5			E03-0117-05	AC OUTLET	KPY	
F1			F05-6321-05	FUSE (SEMKO) (250V T6.3A)	YM	
F1			F05-7026-05	FUSE (UL) (250V 7A)	KP	
F2			F05-3121-05	FUSE (SEMKO) (250V T3.15A)	YMX	
			J13-0055-05	FUSE CLIP	KPYM	
			J13-0075-05	FUSE CLIP	YMX	
L1	.2		L39-0085-05	PHASE-COMPENSATION COIL		
A	1B, 1C		N09-3333-05	TAPPING SCREW (3X12)		
B	1B, 1C		N09-1202-05	TAPPING SCREW (3X14)		
C	1B, 1C		N09-1777-05	SEMS (TAPTITE SCREW)		
F	1B		N87-4020-46	BRAZIER HEAD TAPTITE SCREW		
H	1B, 1C		N89-3008-46	BINDING HEAD TAPTITE SCREW		
CP1	.2		R90-0826-05	MULTIPLE RESISTOR		
R7	-10		RD14CB2E221J	FL-PROOF RD 220 J 1/4W		
R19	.20		RD14CB2E621J	FL-PROOF RD 620 J 1/4W		
R25	.26		RD14CB2E102J	FL-PROOF RD 1.0K J 1/4W		
R27	.28		RD14CB2E132J	FL-PROOF RD 1.3K J 1/4W		
R29	.30		RD14NB2E162J	RD 1.8K J 1/4W		
R31	.32		RD14NB2E222J	RD 8.2K J 1/4W		
R33	.34		RD14CB2E912J	FL-PROOF RD 9.1K J 1/4W		
R35	.38		RD14CB2E100J	FL-PROOF RD 10 J 1/4W		
R39			RD14NB2E221J	RD 220 J 1/4W		
R40	.42		RD14CB2E221J	FL-PROOF RD 220 J 1/4W		
R43	.44		RD14NB2E2R2J	RD 2.2 J 1/4W		
R45			RD14CB2E2R2J	FL-PROOF RD 2.2 J 1/4W		
R46			RD14NB2E2R2J	RD 2.2 J 1/4W		
R65	.66		RS14KB3D100J	FL-PROOF RS 10 J 2W		

E: Scandinavia & Europe K: USA P: Canada
 Y: PK(Far East, Hawaii) T: England M: Other Areas
 Y: AAFES(Europe) X: Australia

△ indicates safety critical components.

* New Parts
 Parts without Parts No. are not supplied.
 Les articles non mentionnés dans le Parts No. ne sont pas fournis.
 Teile ohne Parts No. werden nicht geliefert.

No. 3

Ref. No. 参照番号	Address 位置	New Parts 新	Parts No. 部品番号	Description 部品名/規格	Desti- nation 仕向	Re- marks 備考
R75	.76		RS14KB3A100J	FL-PROOF RS 10 J 1W		
R77	.78		RS14KB3D561J	FL-PROOF RS 560 J 2W		
R79	.80		RS14KB3D472J	FL-PROOF RS 4.7K J 2W		
R81			RD14GB2E100J	FL-PROOF RD 10 J 1/4W		
VR1	.2		R12-1616-05	TRIMMING PGT. 1K		
X1			SS1-2078-05	MAGNETIC RELAY		
S1			S60-0003-05	ROTARY SWITCH METER RANGE		
S2			S42-2153-05	MULTIPLE PUSH SWITCH SPEAKERS		
S3			S31-2136-05	SLIDE SWITCH IMPEDANCE SELECT	YMX	
S4			S62-0001-05	SLIDE SWITCH VOLTAGE SELECT	YM	
D1	.2		HSS104	DIODE		
D1	.2		1SS133	DIODE		
D3	-6		HSS104A	DIODE		
D3	-6		1SS131	DIODE		
D7	-10		HSS104	DIODE		
D7	-10		1SS133	DIODE		
D13			S15VB20	DIODE		
D14	-17		SS6888	DIODE		
D14	-17		1SR139-100	DIODE		
D18	.19		HZS18N(8)	ZENER DIODE		
D18	.19		RD18ES(B)	ZENER DIODE		
D20			HZS24N(8)	ZENER DIODE		
D20			RD24ES(B)	ZENER DIODE		
IC1			UPC1237HA	IC(POWER AMP)		
IC2	.3		AN6882	IC(7PT LBD LEVEL METER DRIVER)		
Q1	-4		2SC1845(F, E)	TRANSISTOR	YMX	
Q5	-8		2SC1740S(Q, R)	TRANSISTOR	YMX	
Q5	-8		2SC245B(Y, GR)	TRANSISTOR	YMX	
Q9	.10		2SA1048(Y, GR)	TRANSISTOR	YMX	
Q9	.10		2SA933S(Q, R)	TRANSISTOR	YMX	
Q11	.12		2SA1124(Q, R)	TRANSISTOR		
Q13	.14		2SC4137	TRANSISTOR		
Q15	.16		2SC3944A(Q, R)	TRANSISTOR		
Q17	.18		2SA1535A(Q, R)	TRANSISTOR		
Q19	.20		2SC2922LB	TRANSISTOR		
Q21	.22		2SA1216LB	TRANSISTOR	YMX	
Q23	.24		2SC1740S(Q, R)	TRANSISTOR	YMX	
Q23	.24		2SC245B(Y, GR)	TRANSISTOR	YMX	
Q25	-28		2SA1048(Y, GR)	TRANSISTOR	YMX	
Q25	-28		2SA933S(Q, R)	TRANSISTOR	YMX	
Q29	.30		2SC2631(R, S)	TRANSISTOR		
Q31	.32		2SD1302(S, T)	TRANSISTOR		
Q33			2SA992(F, E)	TRANSISTOR		
Q34			2SC2590(Q, R)	TRANSISTOR	YMX	
Q35			2SC1740S(Q, R)	TRANSISTOR	YMX	
Q35			2SC245B(Y, GR)	TRANSISTOR	YMX	
Q36			2SA1048(Y, GR)	TRANSISTOR	YMX	
Q36			2SA933S(Q, R)	TRANSISTOR	YMX	
Q37			2SC2003(L, K)	TRANSISTOR	YMX	

E: Scandinavia & Europe K: USA P: Canada
 Y: PK(Far East, Hawaii) T: England M: Other Areas
 Y: AAFES(Europe) X: Australia

△ indicates safety critical components.

PARTS LIST

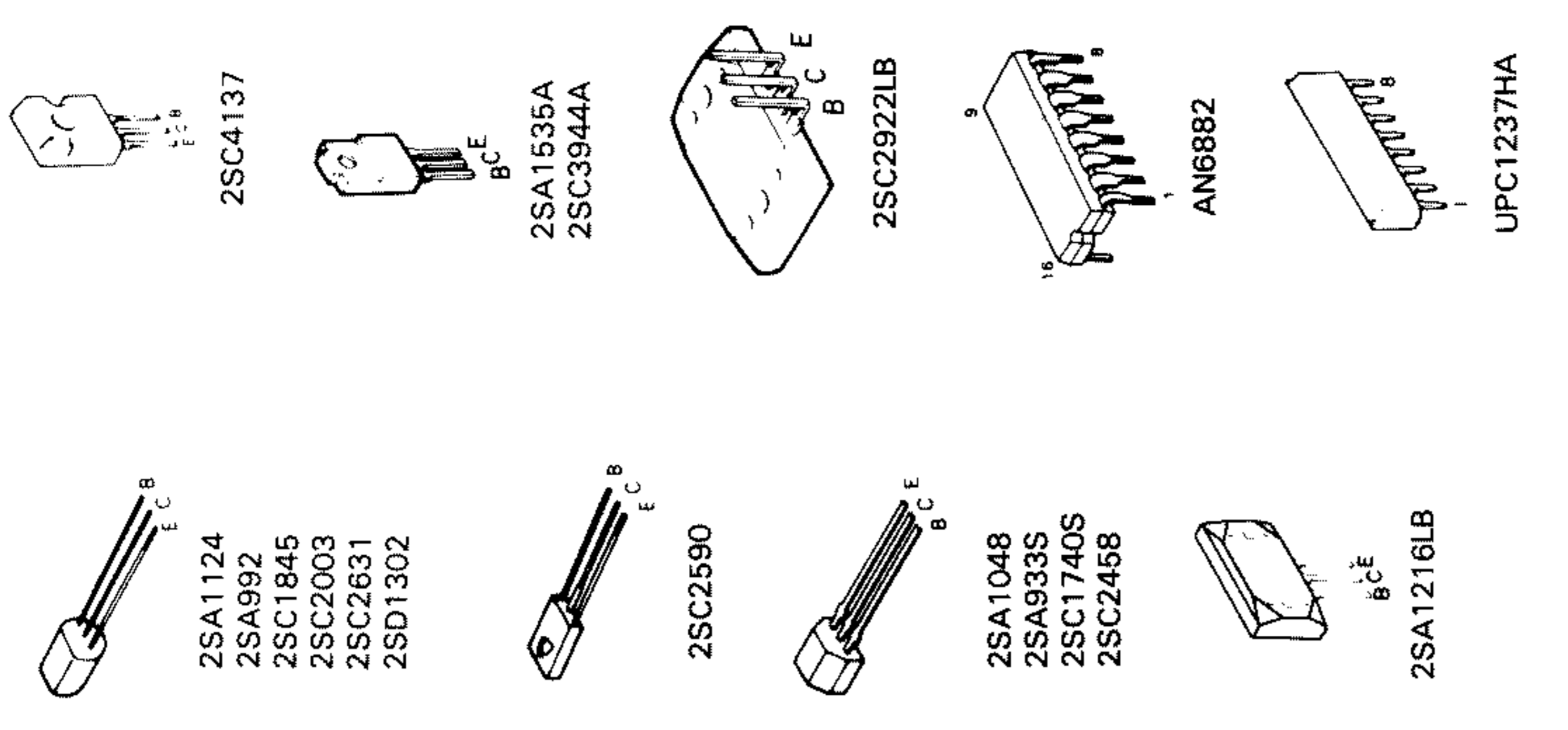
KM-991

SPECIFICATIONS

KM-991

For Other Countries

Rated Power Output (IHF S6) from 20 Hz to 20,000 Hz	150 W + 150 W
0.03% THD at 8Ω	310 W + 310 W
Music Power (8 Ω)	
Total Harmonic Distortion 20 Hz to 20,000 Hz	0.015% at 1/2 rated power into 8Ω
1 kHz	0.002% at 1/2 rated power into 8Ω
Inter Modulation Distortion (60 Hz-7 kHz = 4:1)	0.002% at rated power into 8Ω
Frequency Response	5 Hz to 200 kHz, +0 dB, -3 dB
Signal-to-Noise Ratio (IHF-A)	120 dB (MAIN IN)
Damping Factor	More than 35 at 50 Hz into 8Ω
General	
Power Consumption	350 W (IEC)
AC outlets	2: (Total 200 W max.)
UNSWITCHED	
Dimensions	W: 440 mm
	H: 133 mm
	D: 276 mm
Weight (Net)	8.6 kg (19.0 lb)

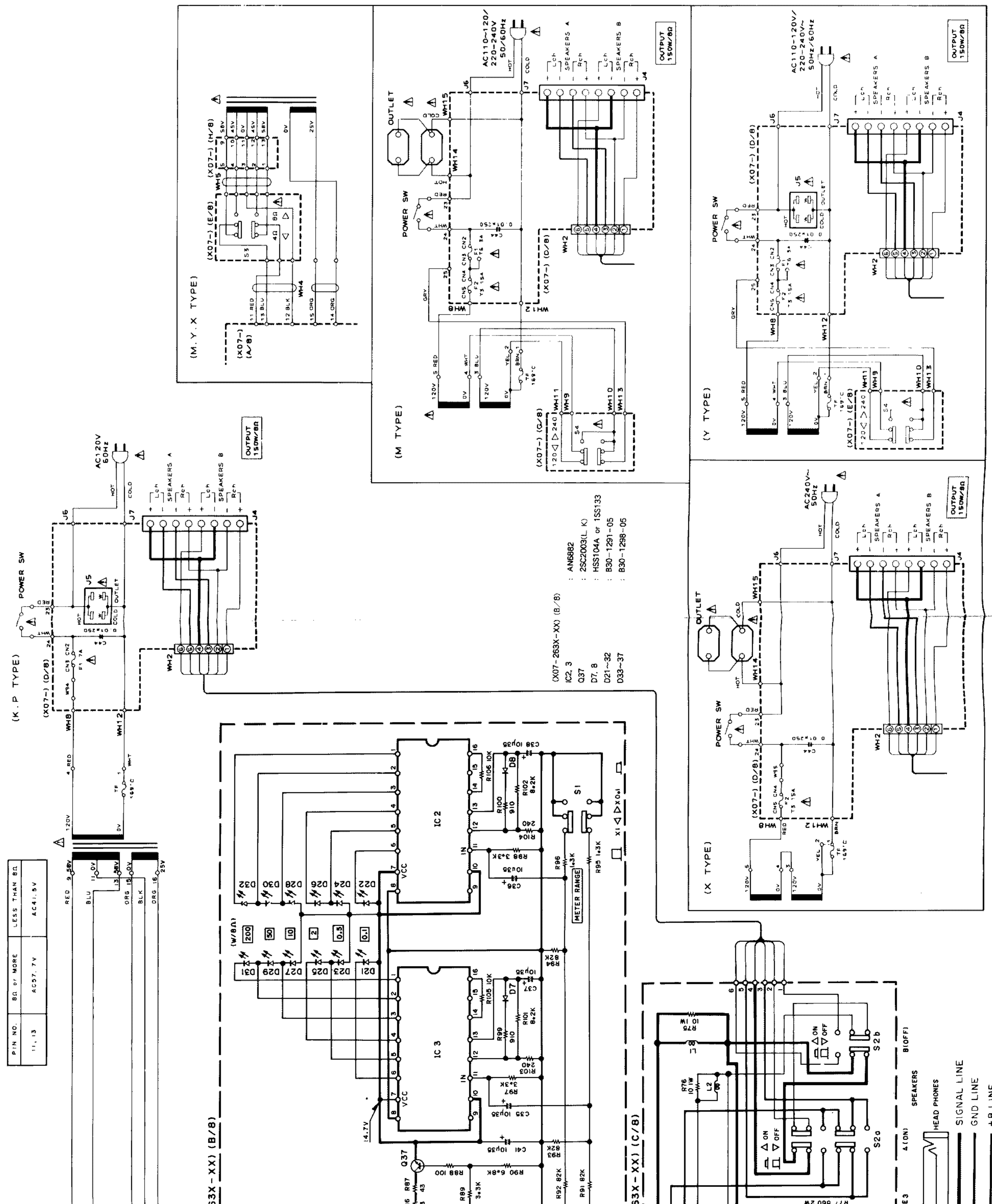


CAUTION: For continued safety, replace safety critical components only with manufacturer's recommended parts (refer to parts list). **⚠** Indicates safety critical components. To reduce the risk of electric shock, leakage-current or resistance measurements shall be carried out (exposed parts are acceptably insulated from the supply circuit) before the appliance is returned to the customer.

DC voltages are as measured with a high impedance voltmeter. Values may vary slightly due to variations between individual instruments or/and units.

Les tensions c.c. doivent être mesurées avec un voltmètre à haute impédance. Les valeurs peuvent différer légèrement du fait des variations inhérentes aux appareils et aux instruments de mesure individuels.

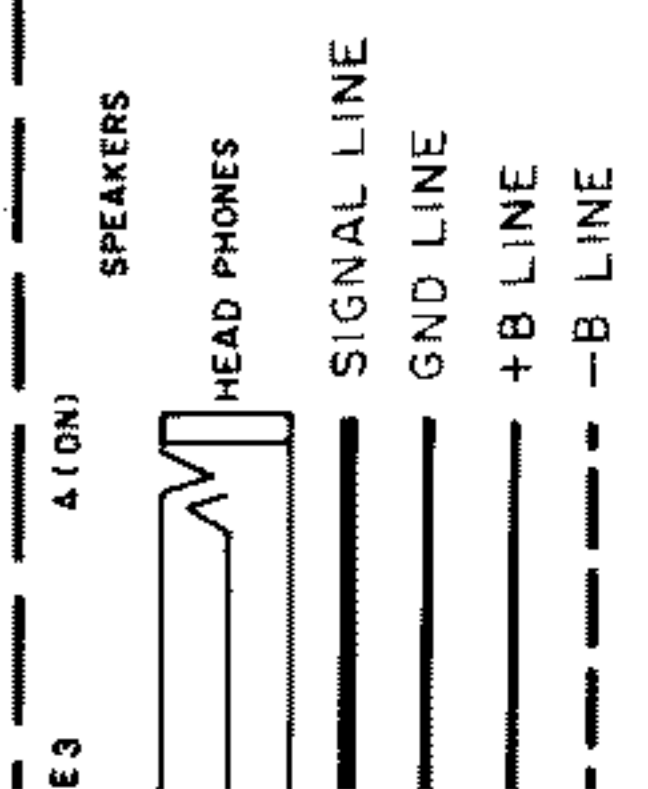
Die angegebenen Gleichspannungswerte wurden mit einem hochohmigen Spannungsmesser gemessen. Dabei schwanken die Meßwerte aufgrund von Unterschieden zwischen einzelnen Instrumenten oder Geräten u. U. geringfügig.



PIN NO.	BD OR MORE	LESS THAN BD
11, 13	AC57.7V	AC41.5V

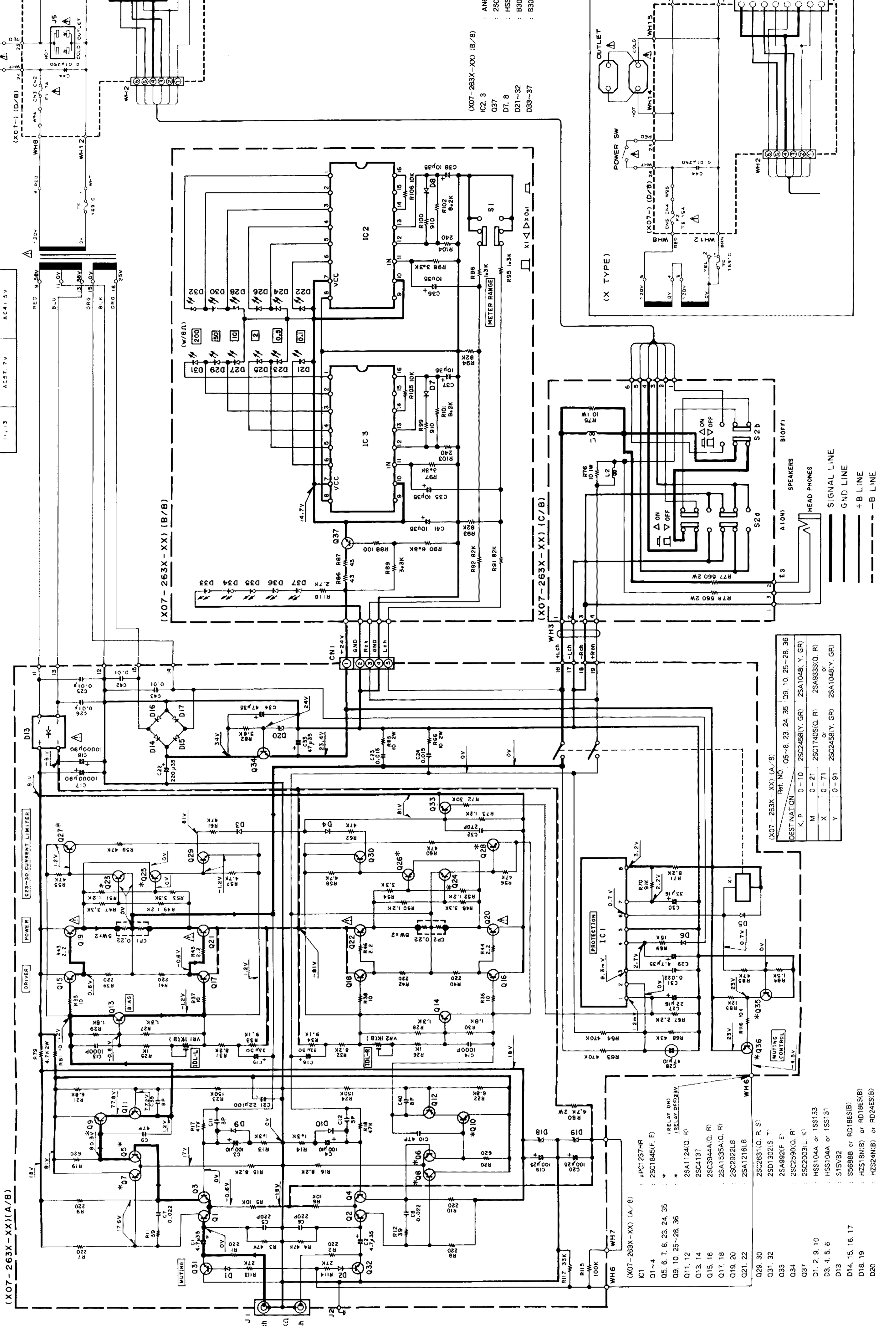
- (X07-263X-XX) (B/B)
- IC2, 3 : ANG682
- Q37 : 2SC2003(L, K)
- D7, B : HS5104A or 1S5133
- D21-32 : B30-1291-05
- D33-37 : B30-1298-05

33X-XX (C/B)



PIN NO.	80. 01. MORE	LESS THAN 80.
11, 13	4C07 TV	4C41 5V

(K.P. TYPE)
 (X07-)(D/B)
 WHB 4 RED
 WH12
 WH1
 WH2
 WH3
 WH4
 WH5
 WH6
 WH7
 WH8
 WH9
 WH10
 WH11
 WH12
 WH13
 WH14
 WH15
 WH16
 WH17
 WH18
 WH19
 WH20



(X07-263X-XX)(A/B)

POWER SW
 (X TYPE)
 (X07-)(D/B)
 WHB 4 RED
 WH12
 WH1
 WH2
 WH3
 WH4
 WH5
 WH6
 WH7
 WH8
 WH9
 WH10
 WH11
 WH12
 WH13
 WH14
 WH15
 WH16
 WH17
 WH18
 WH19
 WH20

(X07-263X-XX)(B/B)

(X07-263X-XX)(C/B)

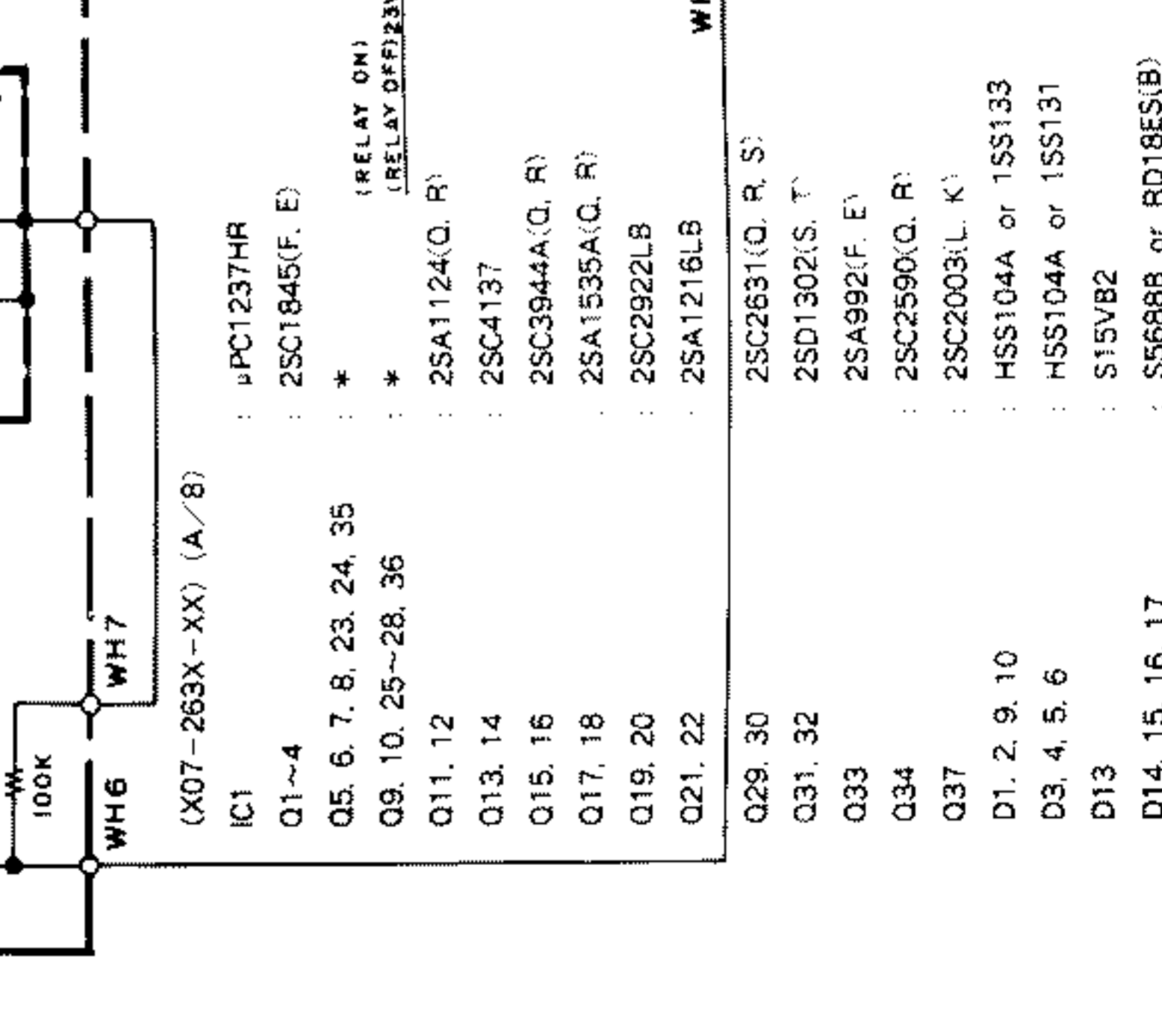
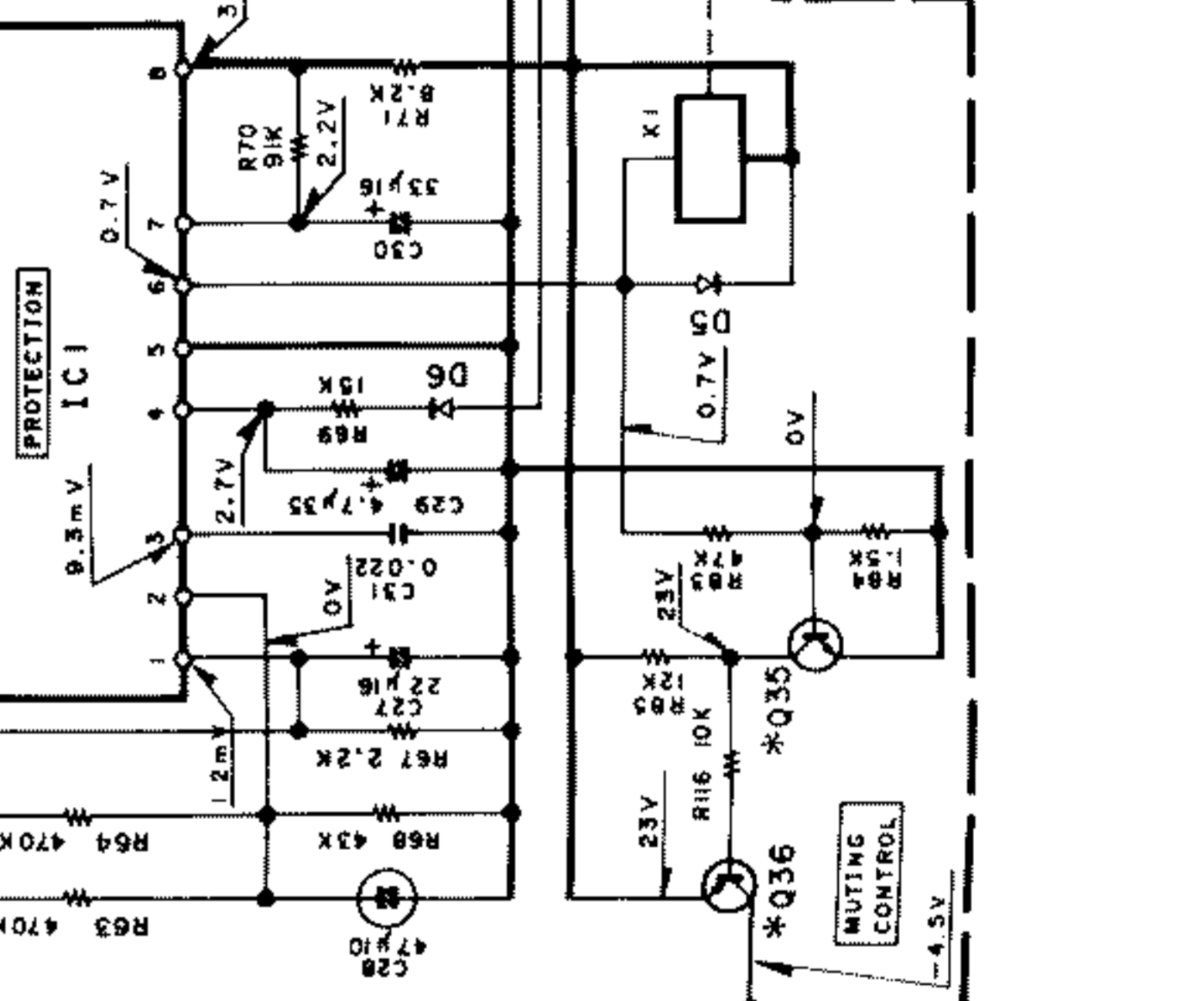
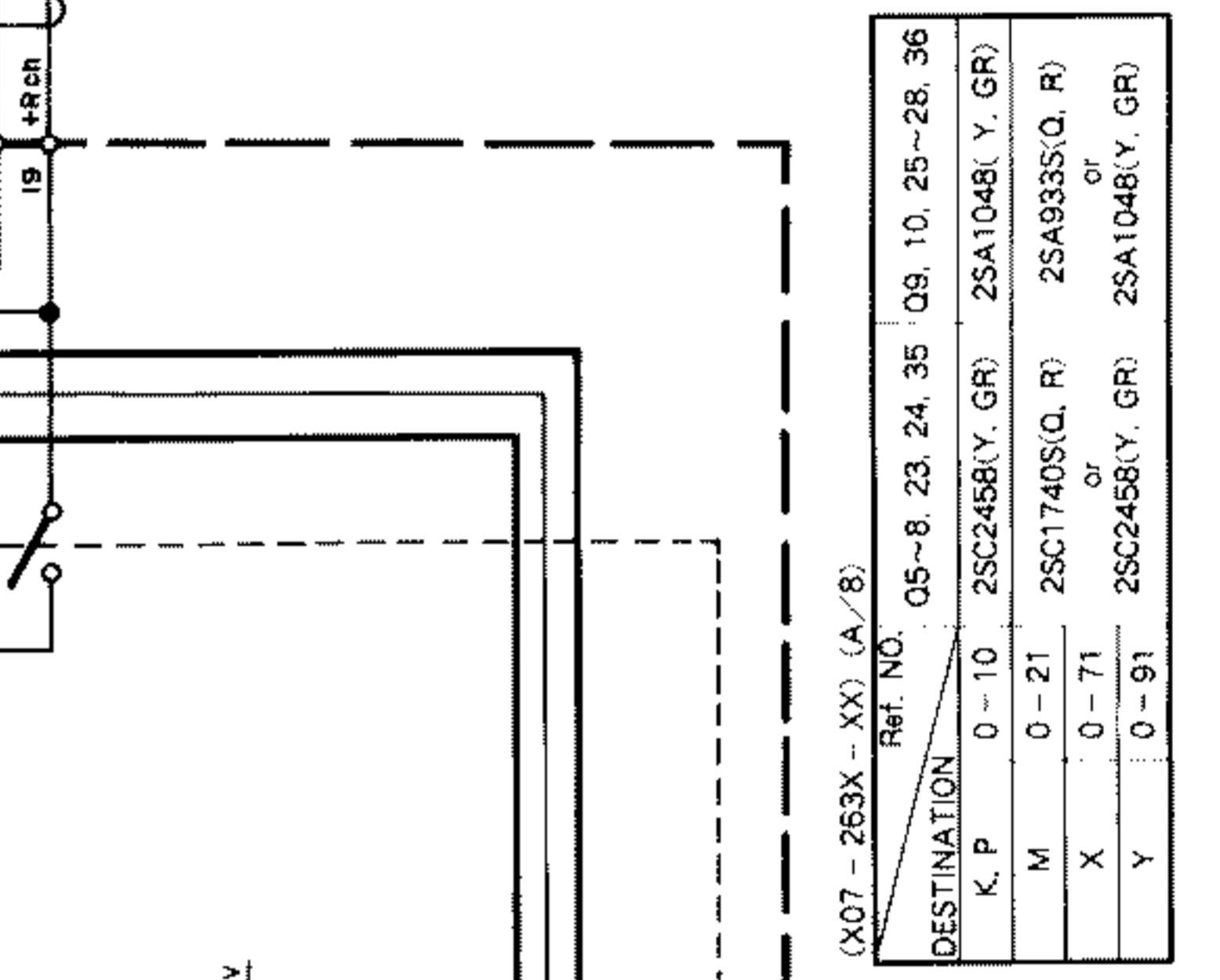
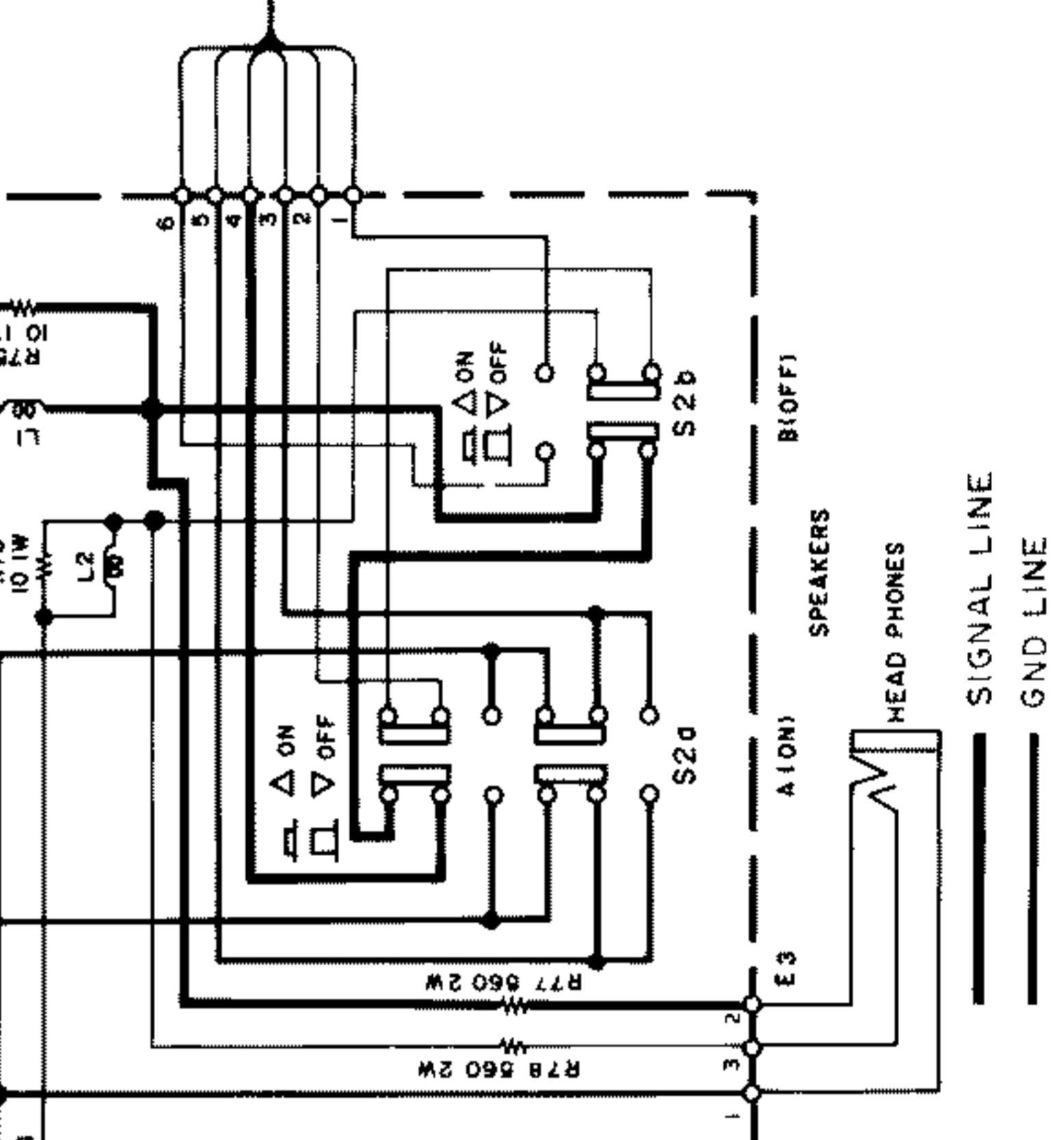
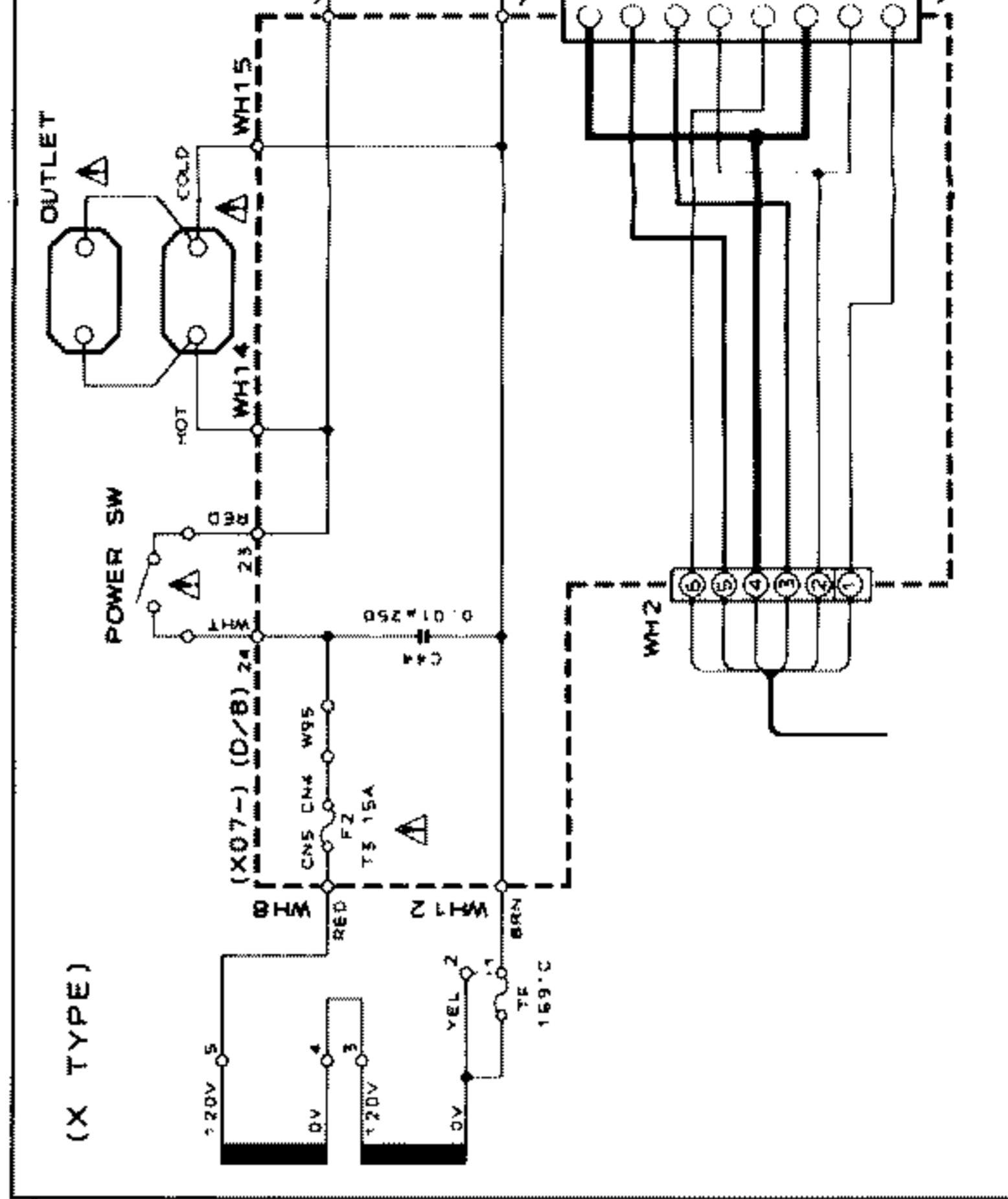
(X07-263X-XX)(B/B)
 IC2.3 : AN68
 Q37 : 25C2C
 DT. 8 : HSS1C
 D31-32 : B30-
 D33-37 : B30-

(X07-263X-XX)(A/B)

DESTINATION	Q5-8, 23, 24, 35	Q9, 10, 25-28, 36
K.P.	0-10	25C2458(Y, GR)
M	0-21	25A1048(Y, GR)
X	0-71	25A9335(Q, R)
Y	0-91	25A1048(Y, GR)

(X07-263X-XX)(A/B)

- IC1 : μPC1237HR
- Q1-4 : 25C1845(F, E)
- Q5, 6, 7, 8, 23, 24, 35 : (RELAY ON) [RELAY OFF] 25A1124(Q, R)
- Q9, 10, 25-28, 36 : 25C4137
- Q11, 12 : 25C3944(A, Q, R)
- Q13, 14 : 25A1535(A, Q, R)
- Q15, 16 : 25C2922(L, B)
- Q17, 18 : 25A1216(L, B)
- Q19, 20 : 25C2631(Q, R, S)
- Q21, 22 : 25D1302(S, T)
- Q29, 30 : 25A992(F, E)
- Q31, 32 : 25C2590(Q, R)
- Q33 : 25C2003(L, K)
- Q34 : HSS1044 or 15S133
- Q37 : HSS1044 or 15S131
- D1, 2, 9, 10 : S15VB2
- D3, 4, 5, 6 : S56888 or RD18ES(B)
- D13 : HZ518N(B) or RD18ES(B)
- D14, 15, 16, 17 : HZ524N(B) or RD24ES(B)
- D18, 19 : HZ524N(B) or RD24ES(B)
- D20

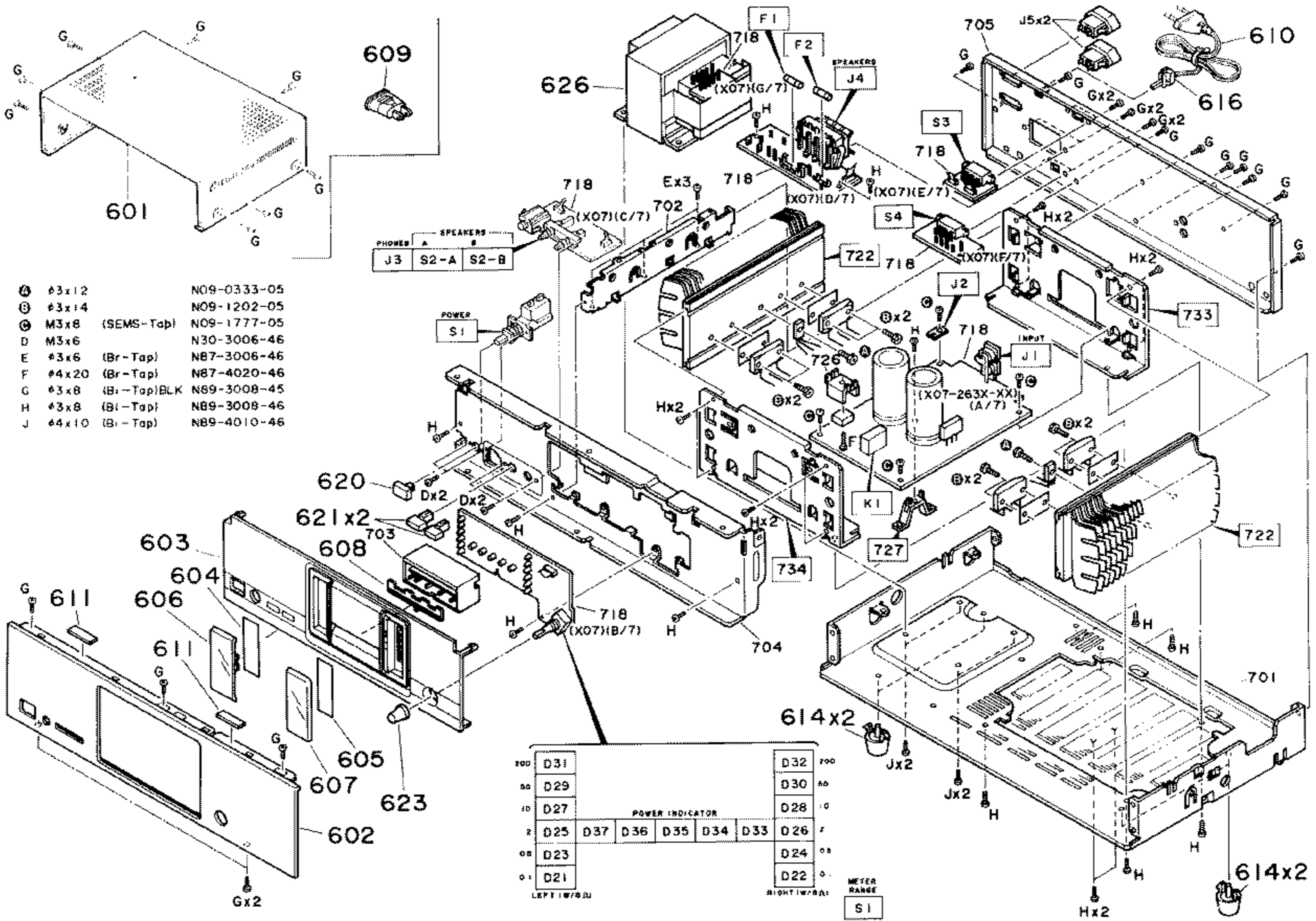


EXPLODED VIEW (MECHANISM UNIT)

KM-991

KM-991

PARTS LIST



- A #3x12 NO9-0333-05
- B #3x14 NO9-1202-05
- C M3x8 (SEMS-Tab) NO9-1777-05
- D M3x6 N30-3006-46
- E #3x6 (Br-Tap) NB7-3006-46
- F #4x20 (Br-Tap) NB7-4020-46
- G #3x8 (Bl-Tap)BLK N89-3008-45
- H #3x8 (Bl-Tap) N89-3008-46
- J #4x10 (Bl-Tap) N89-4010-46

Parts with the exploded numbers larger than 700 are not supplied.

New Parts

Parts without Parts No. are not supplied.
Les articles non mentionnés dans le Parts No. ne sont pas fournis.
Teile ohne Parts No. werden nicht geliefert.

No. 1

Ref. No.	Address	New Parts	Parts No.	Description	Destination	Remarks
参照番号	位置	新	部品番号	部品名/規格	仕向	備考
KM-991						
601	1A	*	A01-1930-01	METALLIC CABINET		
602	2A	*	A60-0019-02	PANEL		
603	2A, 2B	*	B01-0478-01	PANEL ESCUTCHEON		
604	2A	*	B03-2691-04	DRESSING PLATE		
605	2A	*	B03-2692-04	DRESSING PLATE		
606	2A	*	B10-1840-03	FRONT GLASS L		
607	2A	*	B10-1841-03	FRONT GLASS R		
608	3A	*	B12-0156-04	INDICATOR		
			B46-0092-03	WARRANTY CARD	K	
			B46-0094-03	WARRANTY CARD	Y	
			B46-0095-03	WARRANTY CARD	X	
			B46-0096-23	WARRANTY CARD		
			B46-0121-03	WARRANTY CARD	P	
			B58-0513-04	CAUTION CARD (PRESET220-240)	Y	
			B60-0339-00	INSTRUCTION MANUAL (ENGLISH)		
			B60-0339-00	INSTRUCTION MANUAL (FRENCH)	P	
			B60-0339-00	INSTRUCTION MANUAL (SP,AL,CH)	M	
609	1A	*	E03-0115-05	AC PLUG ADAPTER	H	
610	1C	*	E30-0459-05	AC POWER CORD	M	
610	1C	*	E30-0812-05	AC POWER CORD	X	
610	1C	*	E30-1341-05	AC POWER CORD	KP	
610	1C	*	E30-2209-05	AC POWER CORD		
615	1C	*	E03-0055-05	AC OUTLET	H	
615	1C	*	E03-0114-05	AC OUTLET	X	
611	2A	*	011-0155-14	SOFT TAPE (40X9X2)		
		*	H50-0017-04	ITEM CARTON CASE		
		*	H10-3979-12	POLYSTYRENE FOAMED FIXTURE		
		*	H25-0223-04	PROTECTION BAG (750X350X0.03)		
		*	H25-0232-04	PROTECTION BAG (235X350X0.03)		
614	2B, 2C	*	J02-1013-05	FOOT		
616	1C	*	J42-0083-05	POWER CORD BUSHING		
		*	J61-0307-05	WIRE BAND		
620	2A	*	K27-2004-04	KNGB (BUTTON) POWER		
621	2A	*	K27-2014-04	KNGB (BUTTON) SPEAKERS		
623	2A	*	K29-4130-04	KNGB METER RANGE		
626	1B	*	L01-7901-05	POWER TRANSFORMER	KP	
626	1B	*	L01-7905-05	POWER TRANSFORMER	YMX	
D	2A, 2B	*	N30-3006-46	PAN HEAD MACHIN SCREW		
E	2B	*	NB7-3006-46	BRAZIER HEAD TAPTITE SCREW		
O	1A, 1B	*	N89-3008-45	BINDING HEAD TAPTITE SCREW		
H	1B, 1C	*	N89-3008-46	BINDING HEAD TAPTITE SCREW		
J	2C	*	N89-4010-46	BINDING HEAD TAPTITE SCREW		
S1	1B	*	S40-1094-05	PUSH SWITCH (POWER)		
MAIN AMPLIFIER UNIT (X07-2630-10, K.P, 0-21:M, 0-71:X, 2-91:Y)						
D21-32			B30-1291-05	LED(LN21CPSLX70)-(TA4)		
D33-37			B30-1298-05	LED(SEL1213C LC02)		
C1-2			CE04LW1V4R7M	ELECTRO 4.7UF 35WV		
C3-4			CE04LW1A101M	ELECTRO 100UF 10WV		
C5-6			CC45FSL1H221J	CERAMIC 220PF J		

E: Scandinavia & Europe K: USA P: Canada
Y: PAK (East Hawaii) T: England M: Other Areas
V: AAFES (Europe) X: Australia

△ indicates safety critical components

Destination list

KM-991	JAPAN MADE
	K, P, M, X, Y

Main amplifier unit

X07-2630-10	KM-991K, P
X07-2630-21	KM-991M
X07-2630-71	KM-991X
X07-2632-91	KM-991Y