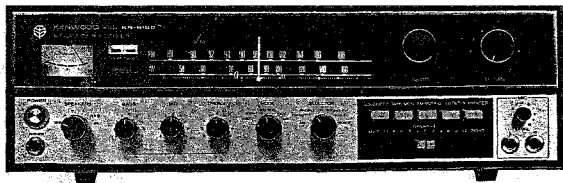




Original
KENWOOD
HI/FI STEREO COMPONENTS

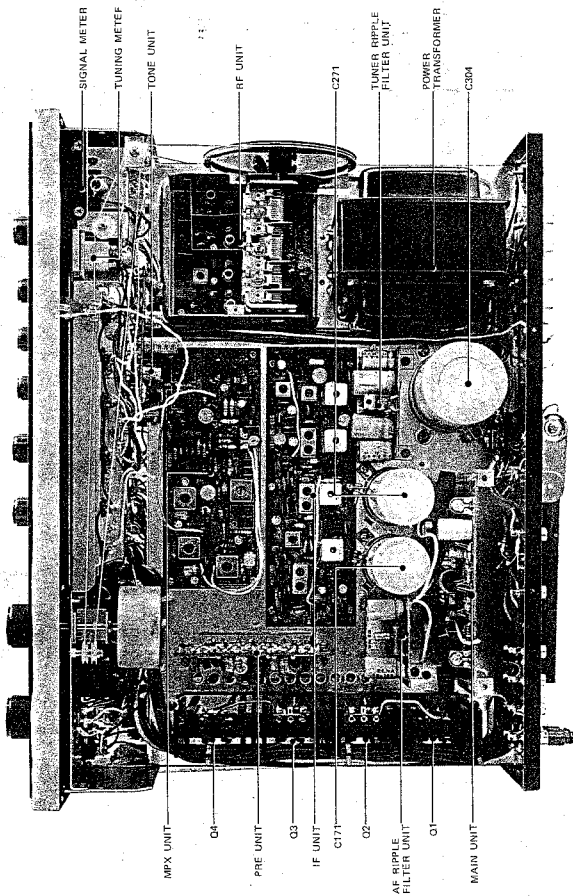
SERVICE MANUAL

KR-6160

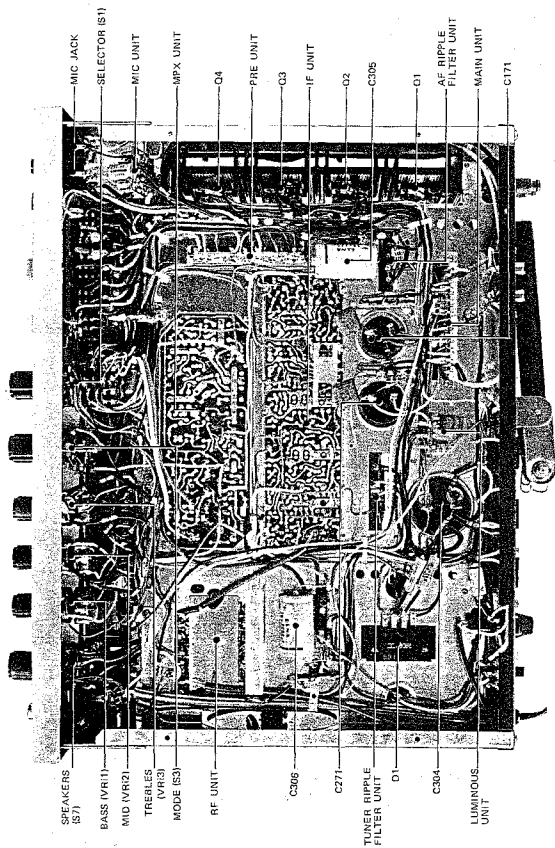


SOLID STATE
AM-FM STEREO RECEIVER

TOP CHASSIS VIEW



● BOTTOM CHASSIS VIEW

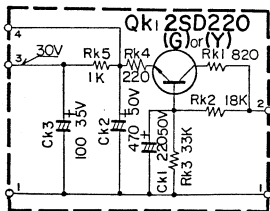


KENWOOD FILTER (X00-0009-10) SECTION

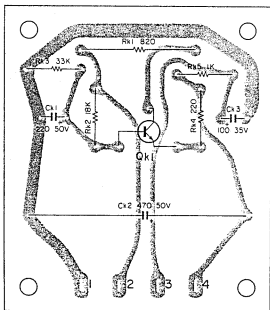
(KR-6160)

SCHEMATIC DIAGRAM

BOTTOM VIEW OF TRANSISTORS



SEALED CIRCUIT ASSEMBLIES-PHANTOM VIEWS



Qk1 2SD220

● ALIGNMENT PROCEDURE

AM ALIGNMENT PROCEDURE

- Alignment tools: IF transformers require a plastic screwdriver-type alignment tool.
Instruments: AM SG, AC VTVM & Oscilloscope.
Selector SW: Always place in AM position.
Warm-up: Allow 30 minutes warm-up period for Receiver and equipments.

STP	Dummy Antenna	AM Signal Generator Coupling	Signal Generator Frequency	Selector Switch	Tuning Dial Setting	Indicating Meter	Adjust	Remarks
1	Direct	High side to AM antenna terminal, Low side to chassis	455kHz (400Hz 30% AM)	AM	Any non-interfering setting	Tuning Indicator	(X02-0020-13) Lb4, 6, 9	Maximum Deflection
2	Direct	Connect to short loop of wire, Radiate signal into ferrite loop stick antenna of receiver	600kHz (400Hz 30% AM)	AM	600kHz	Tuning Indicator	(X02-0020-13) Lb11 AM ANT.	Maximum Deflection
3	Direct	Connect to short loop of wire, Radiate signal into ferrite loop stick antenna of receiver	1400kHz (400Hz 30% AM)	AM	1400kHz	Tuning Indicator	(X01-0023-10) CTa5~6	Maximum Deflection
4	Repeat steps 2 & 3 until no further improvement is possible							

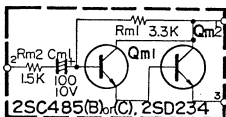
SCHEMATIC DIAGRAM

BOTTOM VIEW OF TRANSISTORS

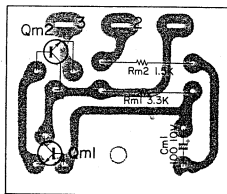
2SC458



2SD234



SEALED CIRCUIT ASSEMBLIES-PHANTOM VIEWS



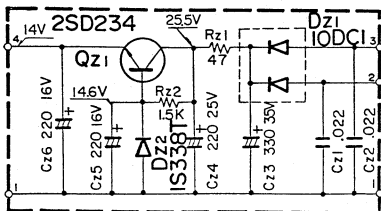
Qm1 2SC458 (B) or (C)

Qm2 2SD234 (D) or (Y)

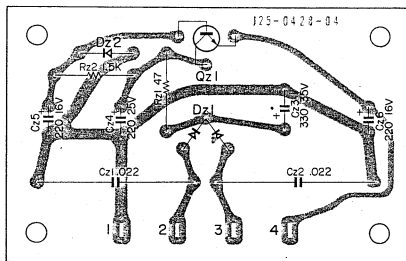
SCHEMATIC DIAGRAM

BOTTOM VIEW OF TRANSISTORS

2SD234



SEALED CIRCUIT ASSEMBLIES-PHANTOM VIEWS



Qz1 2SD234 Dz1 10DC1 Dz2 1S338T

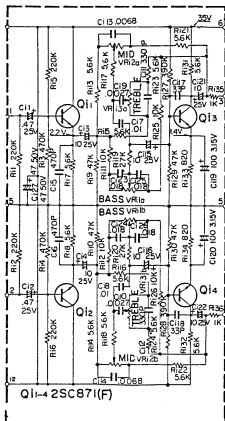
KENWOOD TONE AMP (X11-0007-10) SECTION

(KR-6160)

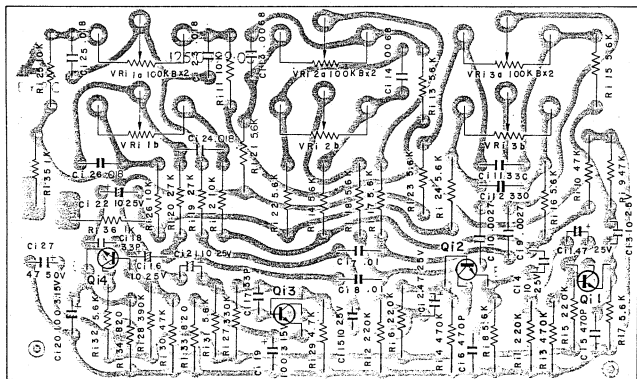
SCHEMATIC DIAGRAM

BOTTOM VIEW OF TRANSISTORS

2SC871



SEALED CIRCUIT ASSEMBLIES-PHANTOM VIEWS



Q11~4 2SC871 (F)



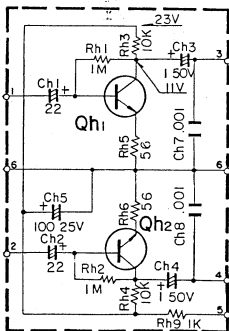
MIC AMP (X09-0007-01) SECTION

(KR-6160)

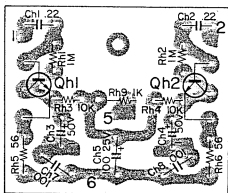
SCHEMATIC DIAGRAM

BOTTOM VIEW OF TRANSISTORS

2SC458LG



SEALED CIRCUIT ASSEMBLIES-PHANTOM VIEWS



Qh1, 2 2SC458LG (D)

SCHEMATIC DIAGRAM

BOTTOM VIEW OF TRANSISTORS

2SA607
2SC627
2SC960



2SC458



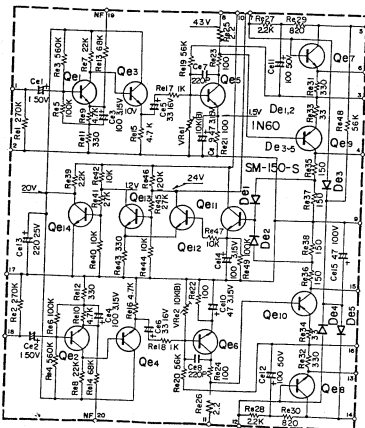
2SC715



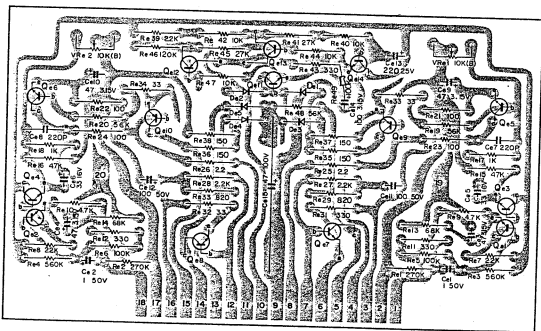
2SC373
2SC374



2SC984



SEALED CIRCUIT ASSEMBLIES-PHANTOM VIEWS



Qe1 ~ 4 2SC458(L (E) or (F) Qe5, 6 2SC627 Qe7, 8 2SC960 (I) L or M Qe9, 10 2SA607 (I) L or M
Qe11 2SC984 (B) or (C) Qe12, 13 2SC715 (E) or (F) Qe14 2SC734 (Y) De1, 2 1N60
De3 ~ 5 SM-150-S

SCHEMATIC DIAGRAM

BOTTOM VIEW OF TRANSISTORS

SE3001


 2SC377
 2SC381
 2SC378

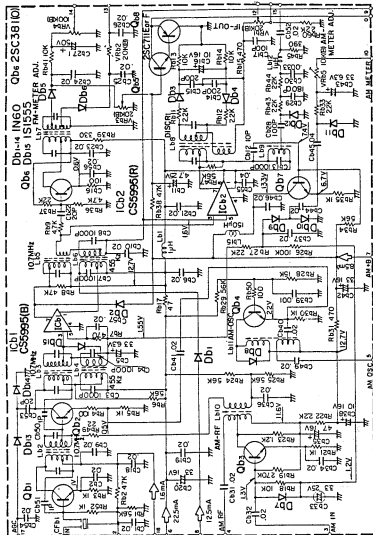

2SA610



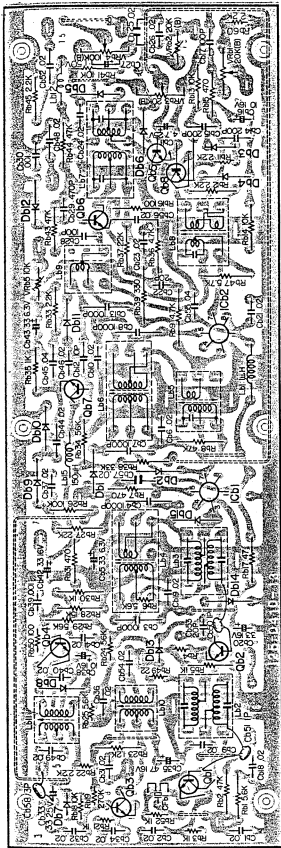
CS8995



2SC711

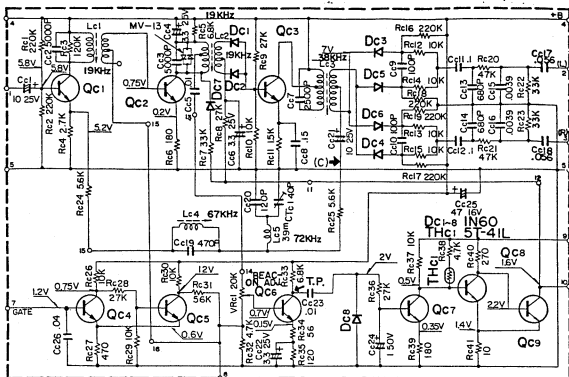


SEALED CIRCUIT ASSEMBLIES-PHANTOM VIEWS

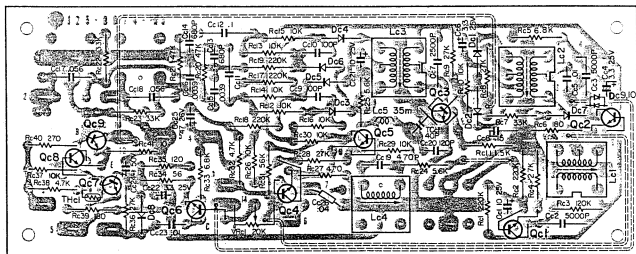


Ob1 SE-3001 (W), Ob2 SE-3001 (R), Ob3 25C377, Ob4 25C378, Ob5 25A610-3, Ob6 25C381 (O),
 Ob7 25C377, Ob8 25C711 (E) or (F), Ob9 CS59955, Ob2 CS59955R, Db1 ~ 14 1N60, Db15 1S1555

SCHEMATIC DIAGRAM



SEALED CIRCUIT ASSEMBLIES-PHANTOM VIEWS



Qc1, 3 ~ 5, 7 ~ 9 2SC458 (B) or (C) Qc2, 6 2SC458 (C) Dc1 ~ 8 1N60 Dc9, 10 MV-13 ThC1 5T-41L-MV-13

BOTTOM VIEW OF TRANSISTORS

2SC458



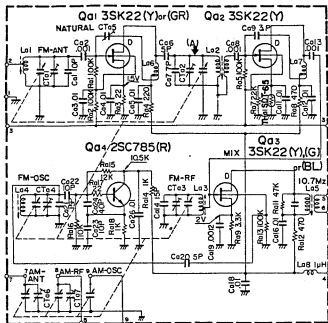
SCHEMATIC DIAGRAM

BOTTOM VIEW OF TRANSISTORS

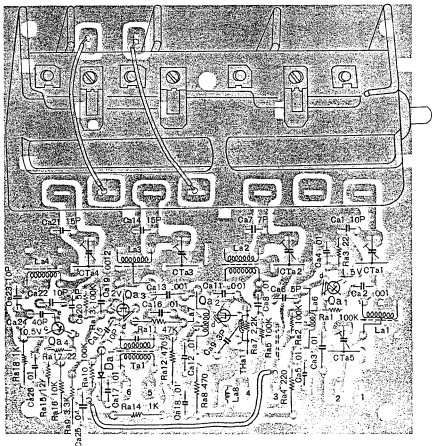
3SK22 (Y)



2SC785



SEALED CIRCUIT ASSEMBLIES-PHANTOM VIEWS



Qa1 3SK 22 (Y) or (G), Qa3 3SK22 (Y) (BL) or (G)
 Qa2 3SK 22 (Y) (B) or (G), Qa4 2SC785 Da1 1N60
 THa1 SDT-65

● DIAL CORD STRINGING

