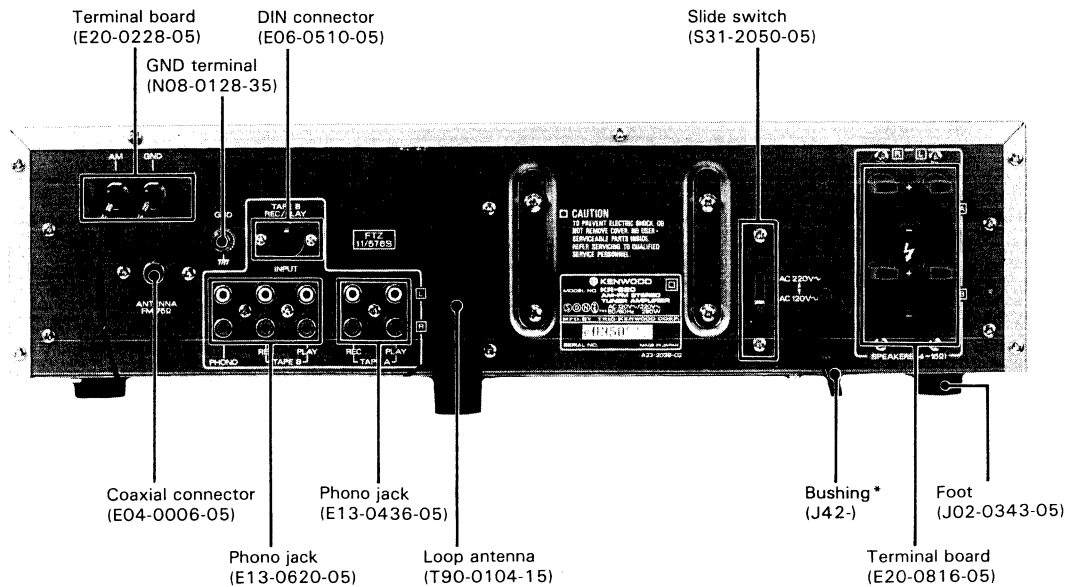
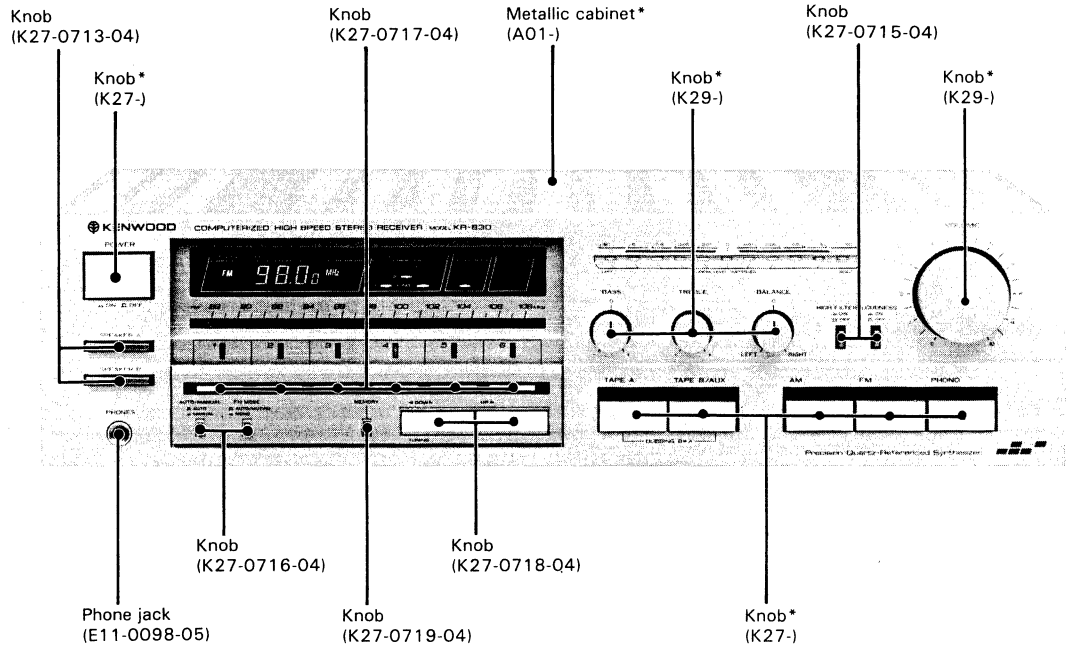




# KR-820/825 KR-830/8450

## COMPUTERIZED STEREO RECEIVER

SERVICE MANUAL

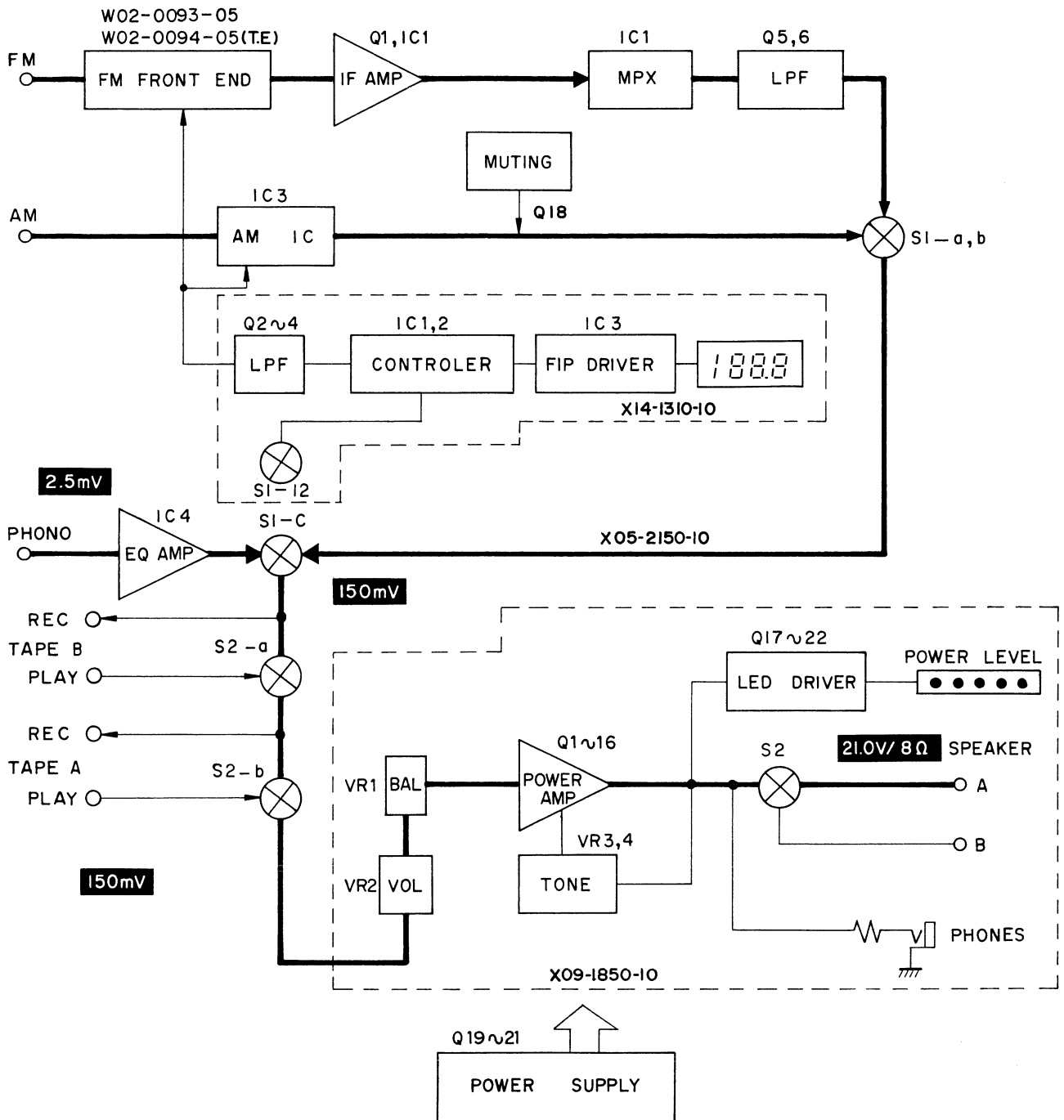


\*Refer to KR-90 Service Manual on circuit description.

\*Refer to Parts List on page 16.

Front view is KR-830.  
Rear view is KR-820.

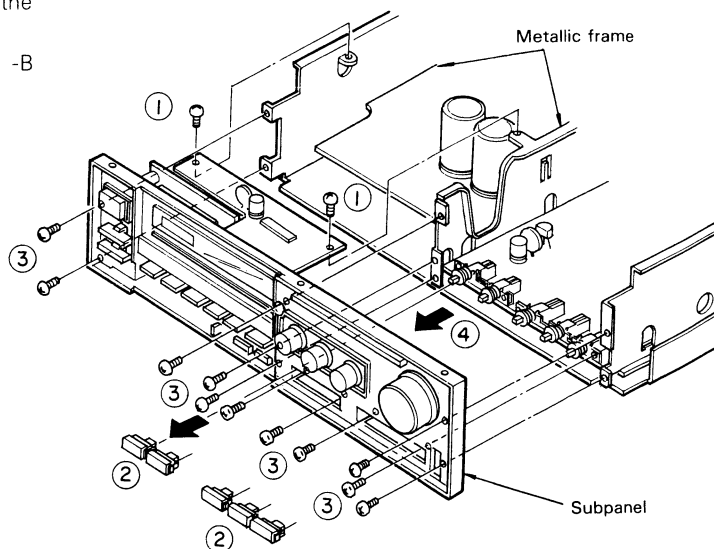
## BLOCK DIAGRAM



## DISASSEMBLY FOR REPAIR

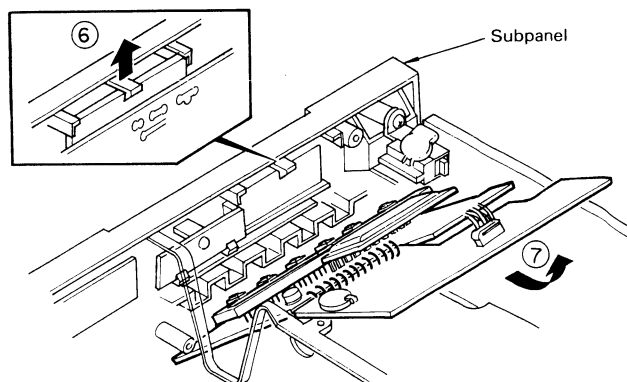
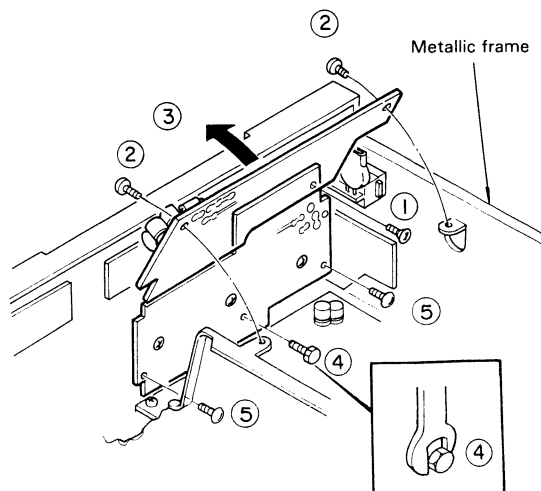
### Removing the Subpanel

- 1) Remove the 2 screws ① which hold the PC board to the metallic frame.
- 2) Remove the INPUT SELECTOR and TAPE-A and -B buttons by pulling them forward ②.
- 3) Remove the 11 screws ③ holding the subpanel.

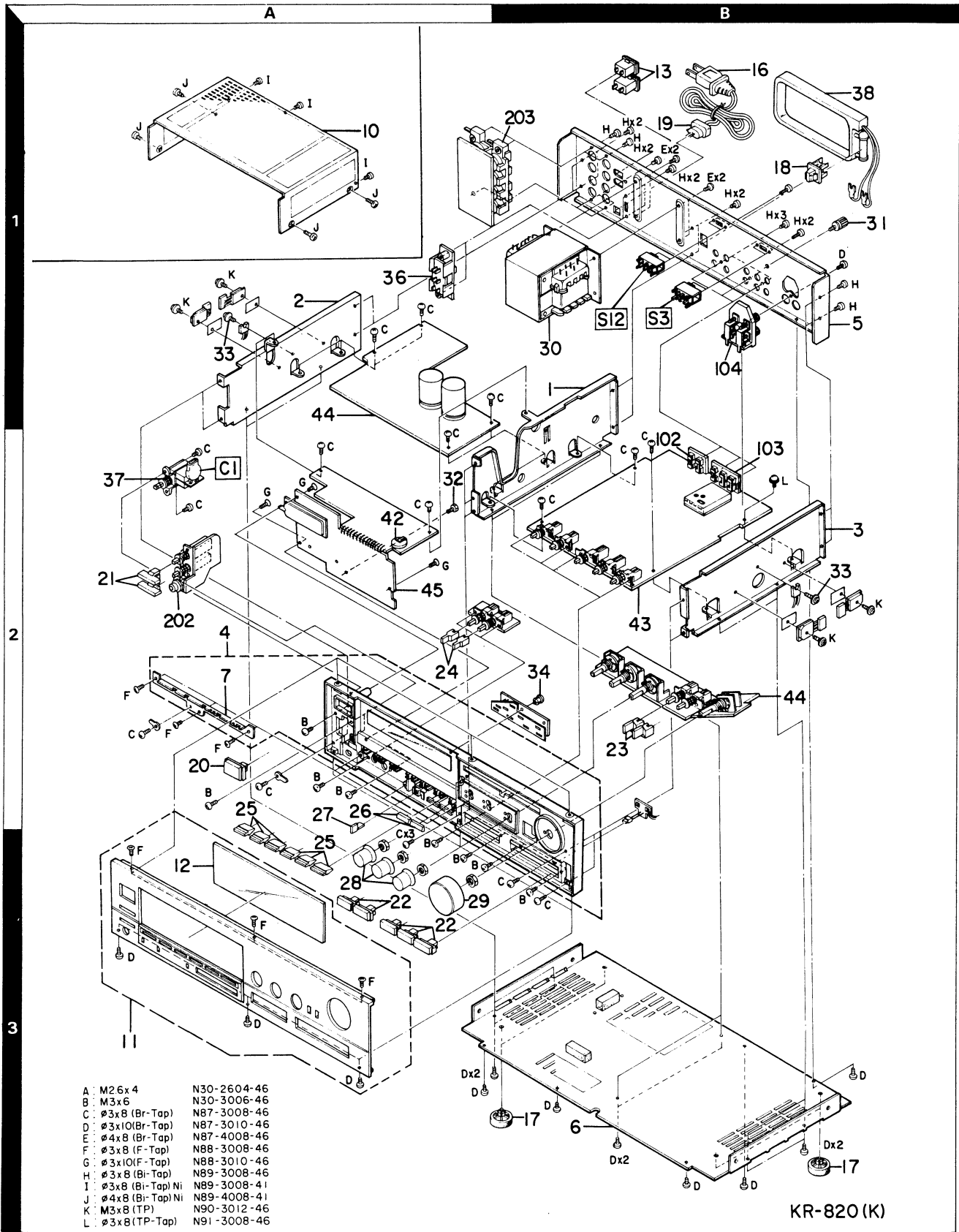


### Removing the PC Board with Fluorescent Display Tube

- (1) Remove the screw ① from the top of the PC board with fluorescent display tube.
- (2) Remove the 2 screws ② which hold the PC board to the metallic frame, then move the PC board in the direction indicated by the arrow ③.
- (3) Use a hexagonal wrench ④ to remove the screw ④.
- (4) Use a short-handled screwdriver to remove the 2 screws ⑤.
- (5) Pull out the entire PC board while lifting the hook on the subpanel which holds the fluorescent display tube.

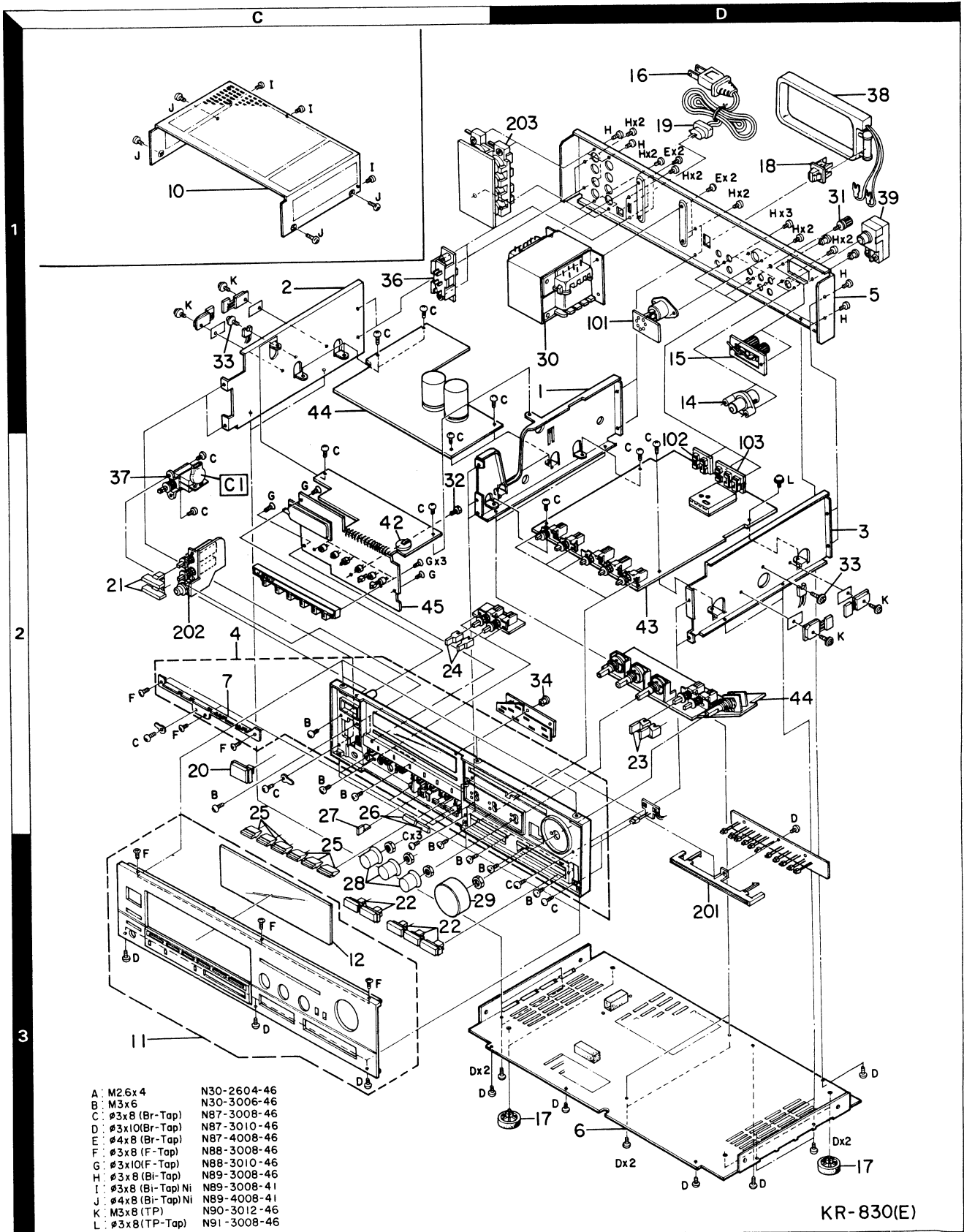


## EXPLODED VIEW



\*Refer to Parts List on page 16.

**EXPLODED VIEW**



- |                            |             |
|----------------------------|-------------|
| A : M2.6x4                 | N30-2604-46 |
| B : M3x6                   | N30-3006-46 |
| C : $\phi$ 3x8 (Br-Tap)    | N87-3008-46 |
| D : $\phi$ 3x10 (Br-Tap)   | N87-3010-46 |
| E : $\phi$ 4x8 (Br-Tap)    | N87-4008-46 |
| F : $\phi$ 3x8 (F-Tap)     | N88-3008-46 |
| G : $\phi$ 3x10 (F-Tap)    | N88-3010-46 |
| H : $\phi$ 3x8 (Bi-Tap)    | N89-3008-46 |
| I : $\phi$ 3x8 (Bi-Tap) Ni | N89-3008-41 |
| J : $\phi$ 4x8 (Bi-Tap) Ni | N89-4008-41 |
| K : M3x8 (TP)              | N90-3012-46 |
| L : $\phi$ 3x8 (TP-Tap)    | N91-3008-46 |

**KR-830(E)**

\* Refer to Parts List on page 16.

## ADJUSTMENT / REGLAGES / ABGLEICH

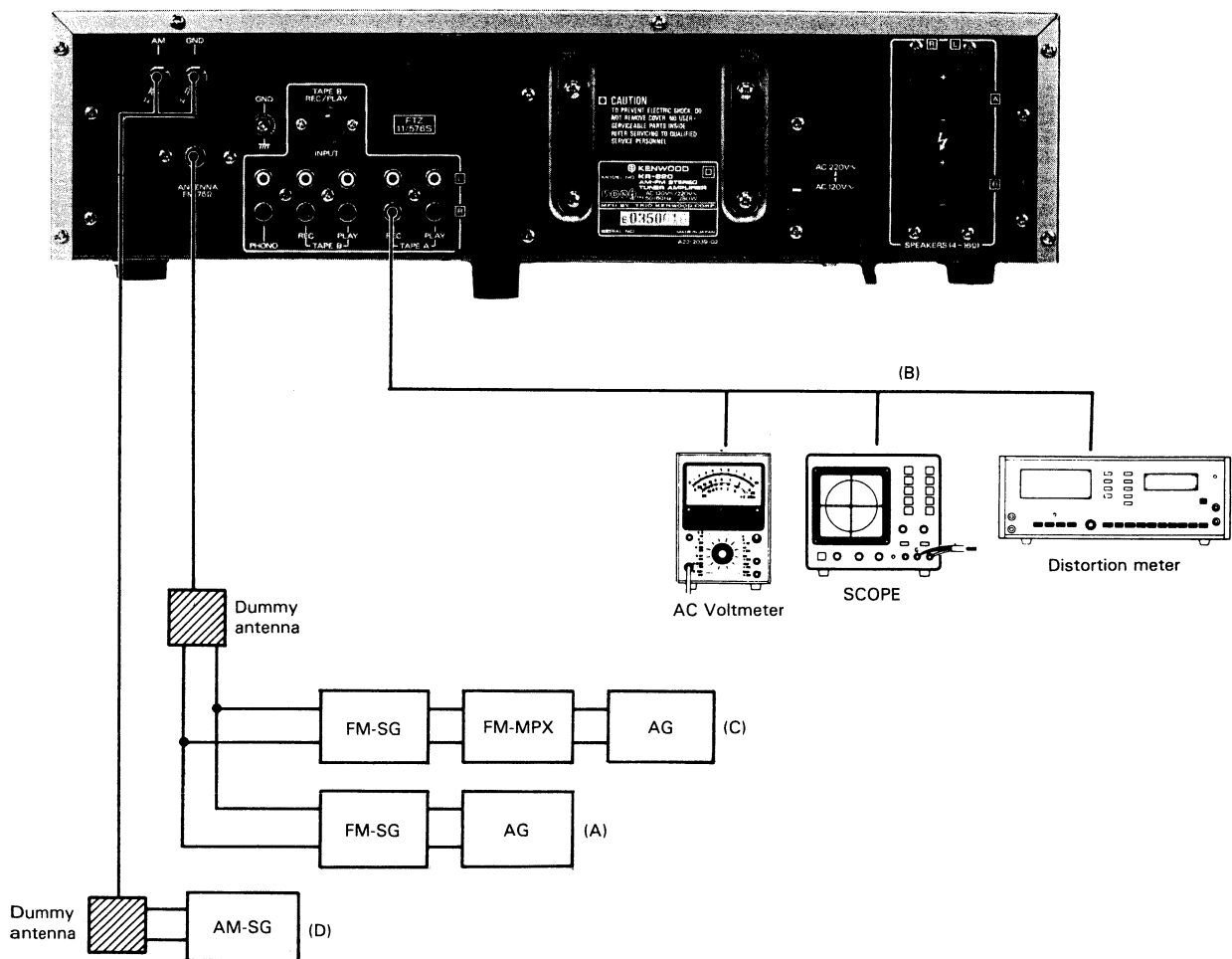
### TEST INSTRUMENT

### APPAREILLAGE

### PRÜFINSTRUMENTE

Oscilloscope .....	Oscilloscope .....	Osziilloskop .....	SCOPE
AM signal generator .....	Générateur MA .....	MW-Signalgenerator .....	AM-SG
FM signal generator .....	Générateur MF .....	UKW-Signalgenerator .....	FM-SG
Audio generator .....	Générateur audio fréquences .....	NF-Signalgenerator .....	AG
AC voltmeter .....	Voltmètre CA .....	Wechselspannungsmesser .....	
FM multiplex generator .....	Générateur multiplex stéréo .....	UKW-Multiplexgenerator .....	FM-MPX
Frequency counter .....	Fréquencemètre .....	Frequenzzähler .....	
DC voltmeter .....	Voltmètre CC .....	Gleichspannungsmesser .....	
Distortion meter .....	Distorsiomètre .....	Klirrfaktormesser .....	
Dummy antenna .....	Antenne fictive .....	Antennennachbildung .....	

### SYSTEM CONNECTIONS / RACCORDEMENTS DU SYSTEME / SYSTEM-ANSCHLÜSSE



## ADJUSTMENT

NO.	ITEM	INPUT SETTINGS	OUTPUT SETTINGS	TUNER SETTINGS	ALIGNMENT POINTS	ALIGN FOR	FIG.
<b>FM SECTION</b>		<b>SELECTOR: FM</b>		<b>FM MODE: AUTO/MUTING</b>			
1	<b>DISCRIMINATOR (1)</b>	(A) 100.1MHz 1kHz ± 75kHz dev 60dB (ANT input)	Connect a DC voltmeter across R10	MONO 100.1MHz	L2	0V	(a)
2	<b>DISCRIMINATOR (2)</b>	(A) 100.1MHz 1kHz ± 75kHz dev 60dB (ANT input)	(B)	MONO 100.1MHz	L3	Minimum distortion	
Repeat alignments 1 and 2 several times.							
3	<b>VCO</b>	(A) 100.1MHz 0 dev 60dB (ANT input)	Connect a frequency counter to R44	100.1MHz	VR1	19.00kHz	(b)
4	<b>SEPARATION</b>	(C) 100.1MHz 1kHz ± 68.25kHz dev Selector: L or R Pilot: ± 6.75kHz dev 60dB (ANT input)	(B)	100.1MHz	VR2	Minimum crosstalk. A compromise adjustment may be required if left-to-right and right-to-left separations are unequal.	
5	<b>DISTORTION (STEREO)</b>	(C) 100.1MHz 1kHz ± 68.25kHz dev Selector: L or R Pilot: ± 6.75kHz dev 60dB (ANT input)	(B)	100.1MHz	T2 (Front end)	Minimum distortion.	
<b>AM SECTION</b>		<b>SELECTOR: AM</b>					
(1)	<b>BAND EDGE (1)</b>	—	Connect a DC voltmeter to terminal 4	520kHz (522kHz)	L7	1.5V	(c)
(2)	<b>BAND EDGE (2)</b>	—	Connect a DC voltmeter to terminal 4.	1610kHz (1602kHz)	TC1	8.5V	(c)
520kHz, 1620kHz: for 10kHz step area				522kHz, 1602kHz: for 9kHz step area			
(3)	<b>RF ALIGNMENT (1)</b>	(D) 630 kHz 400 Hz, 30% mod	(B)	630 kHz	L10	Maximum amplitude and symmetry of the oscilloscope display.	
(4)	<b>RF ALIGNMENT (2)</b>	(D) 1440 kHz 400 Hz, 30% mod	(B)	1440 kHz	TC2	Maximum amplitude and symmetry of the oscilloscope display.	
Repeat alignments (3) and (4) several times.							

## REGLAGE

N°.	ITEM	REGLAGE DE L'ENTREE	REGLAGE DE LA SORTIE	REGLAGE DU TUNER	POINTS DE L'ALIGNEMENT	ALIGNER POUR	FIG.
<b>SECTION MF</b>		<b>SELECTEUR: FM</b>		<b>FM MODE: AUTO/MUTING</b>			
1	<b>DISCRIMINATEUR (1)</b>	(A) 100,1MHz 1kHz ± 75kHz dév 60dB (Entrée ANT)	Connecter un voltmètre CC sur R10.	MONO 100,1MHz	L2	0V	(a)
2	<b>DISCRIMINATEUR (2)</b>	(A) 100,1MHz 1kHz ± 75kHz dév 60dB (Entrée ANT)	(B)	MONO 100,1MHz	L3	Distorsion minimale	
Répéter les points 1 et 2 plusieurs fois.							
3	<b>OSCILLATEUR CONTROLE PAR LA TENSION</b>	(A) 100,1MHz 0 dév 60dB (Entrée ANT)	Connecter un compteur de fréquence à R44	100,1MHz	VR1	19.00kHz	(b)
4	<b>SEPARATION</b>	(C) 100,1MHz 1kHz ± 68,25kHz dév Sélection: L ou R Signal pilote: ± 6,75kHz dév 60dB (Entrée ANT)	(B)	100,1MHz	VR2	Diaphonie minimale. Un compromis de réglage peut être nécessaire si les séparations de gauche à droite et de droite à gauche sont inégales.	
5	<b>DISTORSION (STEREO)</b>	(C) 100,1MHz 1kHz ± 68,25kHz dév Sélection: L ou R Signal pilote: ± 6,75kHz dév 60dB (Entrée ANT)	(B)	100,1MHz	T2 (Tête H.F.)	Distorsion minimale	
<b>SECTION MA</b>		<b>SELECTEUR: AM</b>					
(1)	<b>BORD DE BANDE (1)</b>	—	Connecter un voltmètre CC au terminal 4.	520kHz (522kHz)	L7	1,5V	(c)
(2)	<b>BORD DE BANDE (2)</b>	—	Connecter un voltmètre CC au terminal 4.	1610kHz (1602kHz)	TC1	8,5V	(c)
520kHz, 1620kHz: pour zone de 10kHz cran				522kHz, 1602kHz: pour zone de 9kHz cran			
(3)	<b>ALIGNEMENT H.T. (1)</b>	(D) 630 kHz 400 Hz, 30% mod	(B)	630 kHz	L10	Amplitude et symétrie maximale de l'affichage de l'oscilloscope.	
(4)	<b>ALIGNEMENT H.T. (2)</b>	(D) 1440 kHz 400 Hz, 30% mod	(B)	1440 kHz	TC2	Amplitude et symétrie maximale de l'affichage de l'oscilloscope.	
Répéter les points (3) et (4) plusieurs fois.							

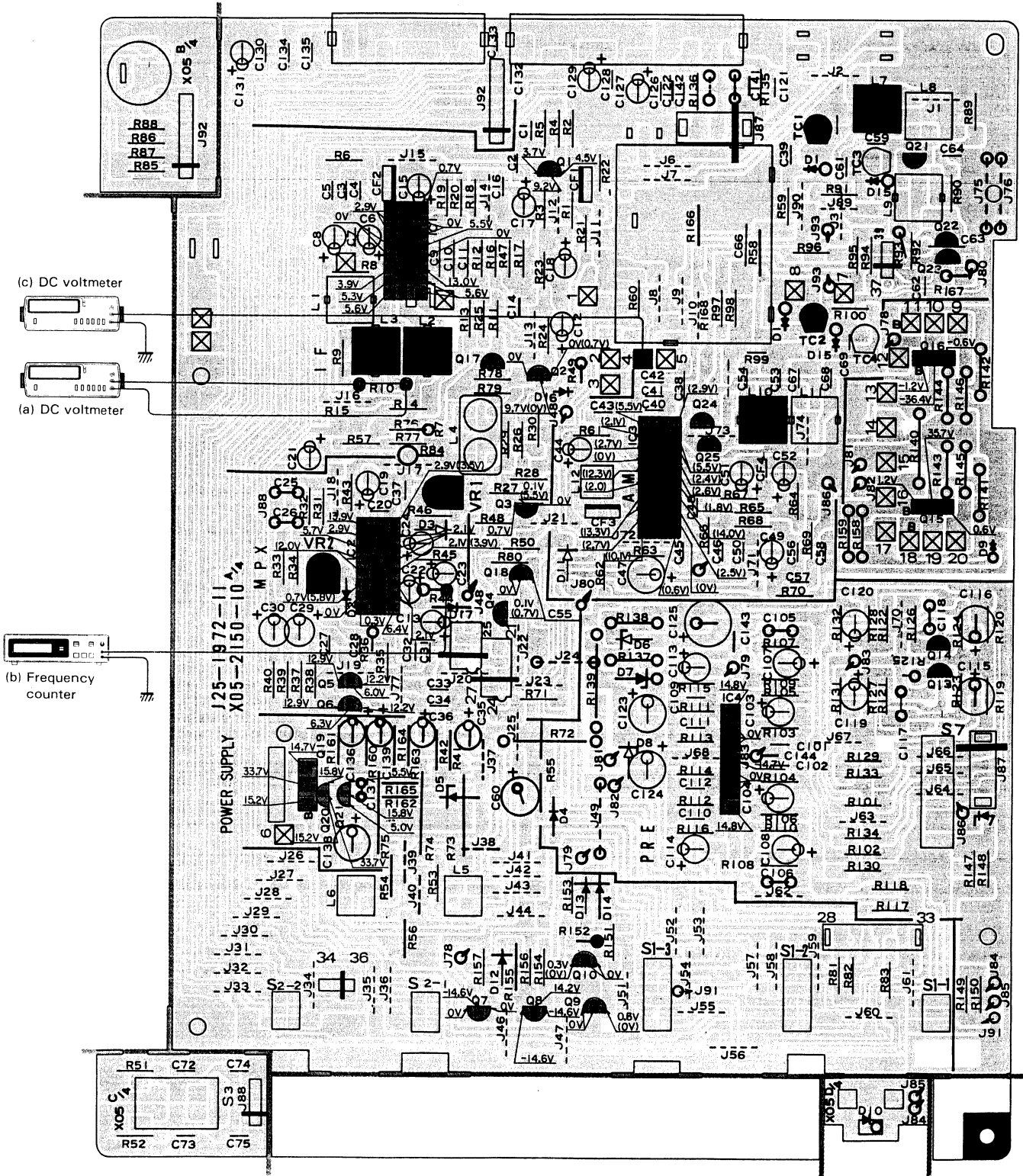


# ABGLEICH

NR.	GEGENSTAND	EINGANGS-EINSTELLUNG	AUSGANG-EINSTELLUNG	TUNER EINSTELLUNG	ABGLEICHE PUNKTE	ABGLEICHEN FÜR	ABB.
<b>UKW-EMPFANGSABTEILUNG</b>		<b>WÄHLER: FM</b>		<b>FM MODE: AUTO/MUTING</b>			
1	<b>DISKRIMINATOR (1)</b>	(A) 100,1MHz 1kHz ± 75kHz Hub 60dB (ANT-Eingang)	Einen Gleichspannungs über R10 anschließen.	MONO 100,1MHz	L2	0V	(a)
2	<b>DISKRIMINATOR (2)</b>	(A) 100,1MHz 1kHz ± 75kHz Hub 60dB (ANT-Eingang)	(B)	MONO 100,1MHz	L3	Minimaler Klirrfaktor	
Abstimmungen 1 und 2 mehrere Male wiederholen.							
3	<b>SPANNUNGS-GEREGELTER OSZILLATOR</b>	(A) 100,1MHz 0 Hub 60dB (ANT-Eingang)	Einen Frequenzmesser an R44 anschließen.	100,1MHz	VR1	19,00kHz	(b)
4	<b>STEREO KANAL TRENNUNG</b>	(C) 100,1MHz 1kHz ± 68,25kHz Hub Wähler: L oder R Pilotton: ± 6,75kHz Hub 60dB (ANT-Eingang)	(B)	100,1MHz	VR2	Minimales Übersprechen. Eine Ausgleichregelung kann notwendig sein, falls links-zu-rechts und rechts-zu-links Trennungen ungleich sind.	
5	<b>KLIRRFAKTOR (STEREO)</b>	(C) 100,1MHz 1kHz ± 68,25kHz Hub Wähler: L oder R Pilotton: ± 6,75kHz Hub 60dB (ANT-Eingang)	(B)	100,1MHz	T2 (Frontende)	Minimaler Klirrfaktor.	
<b>MW-EMPFANGSABTEILUNG</b>							
(1)	<b>BANDKANTE (1)</b>	—	Einen Gleichstromspannungsmesser zu Klemme 4 anschließen.	520kHz (522kHz)	L7	1,5V	(c)
(2)	<b>BANDKANTE (2)</b>	—	Einen Gleichstromspannungsmesser zu Klemme 4 anschließen.	1610kHz (1602kHz)	TC1	8,5V	(c)
520kHz, 1620kHz: für der Zone vom 10kHz-Kanalabstand      522kHz, 1602kHz: für der Zone vom 9kHz-Kanalabstand							
(3)	<b>HF-ABGLEICH (1)</b>	(D) 630 kHz 400 Hz, 30% mod	(B)	630 kHz	L10	Maximale amplitude und Symmetrie des Oszilloskopbildes	
(4)	<b>HF-ABGLEICH (2)</b>	(D) 1440 kHz 400 Hz, 30% mod	(B)	1440 kHz	TC2	Maximale amplitude und Symmetrie des Oszilloskopbildes.	
Abstimmungen (3) und (4) mehrere Male wiederholen.							

P.C. BOARD

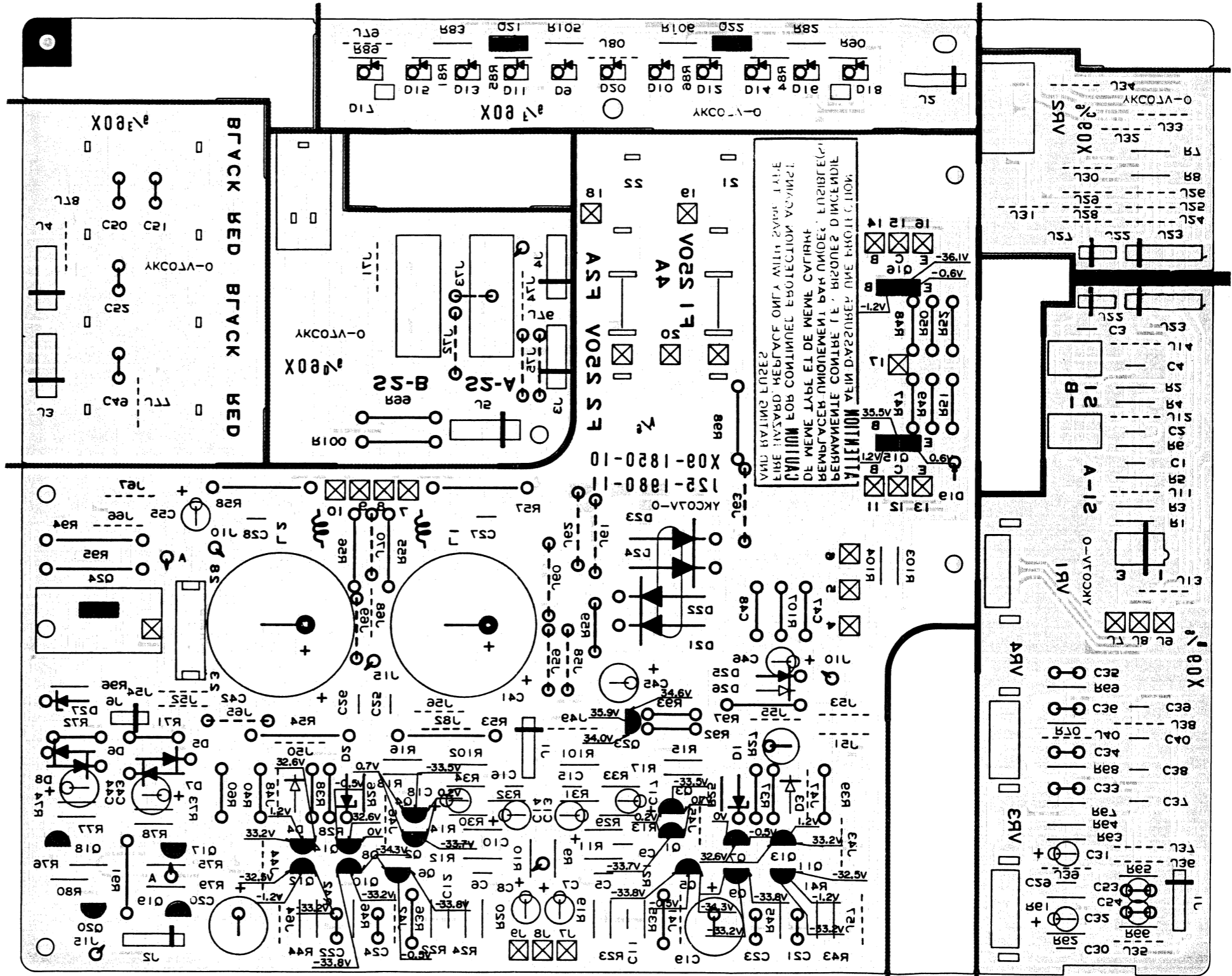
TUNER (X05-2150-10) Component side view



Refer to the schematic diagram for the values of resistors and capacitors. The PC board drawing is viewing from the side easy to check.

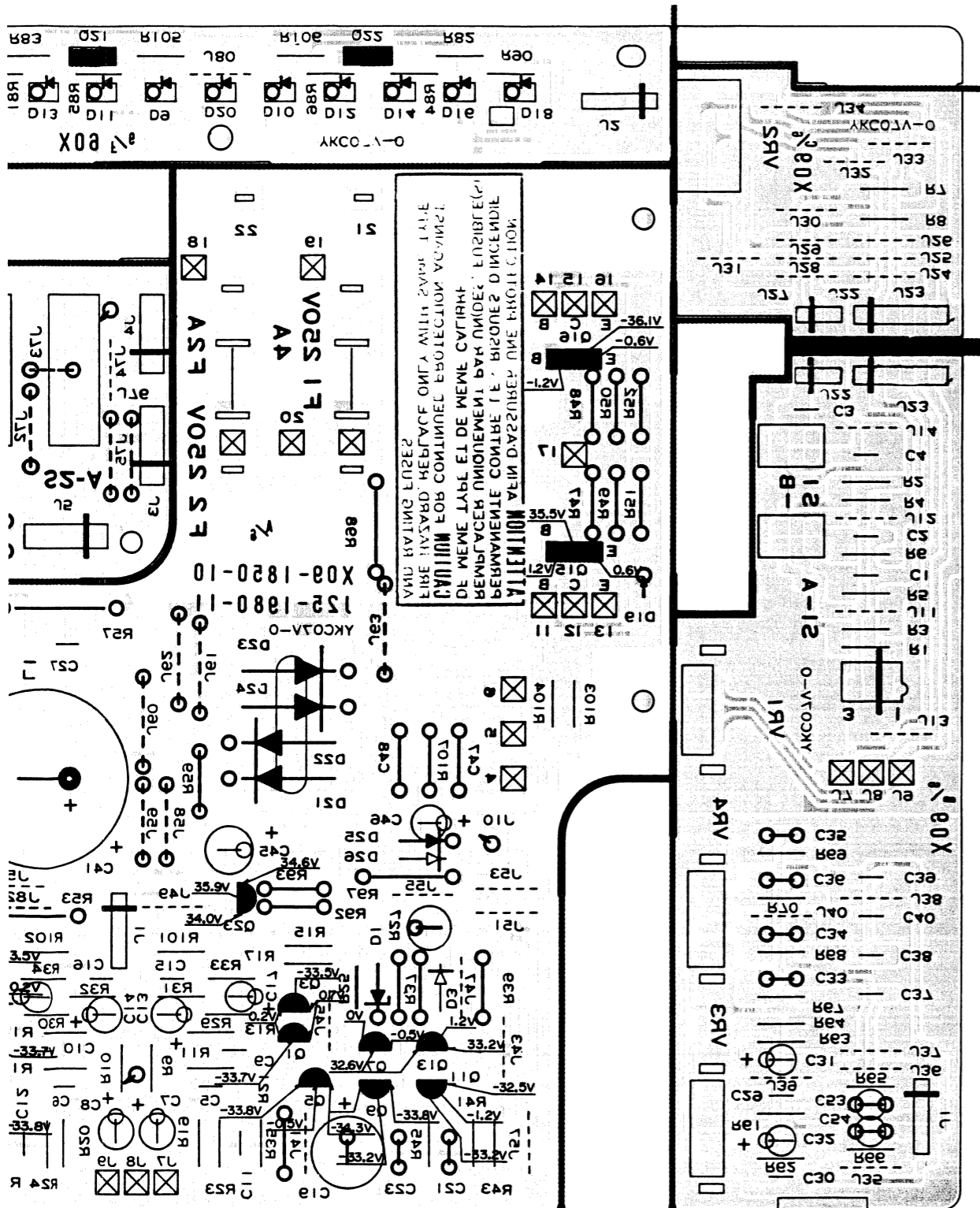
P.C. BOARD

AUDIO AMP (X09-1850-10)  
Foil side view



Refer to the schematic diagram for the values of resistors and capacitors.  
The PC board drawing is viewing from the side easy to check.

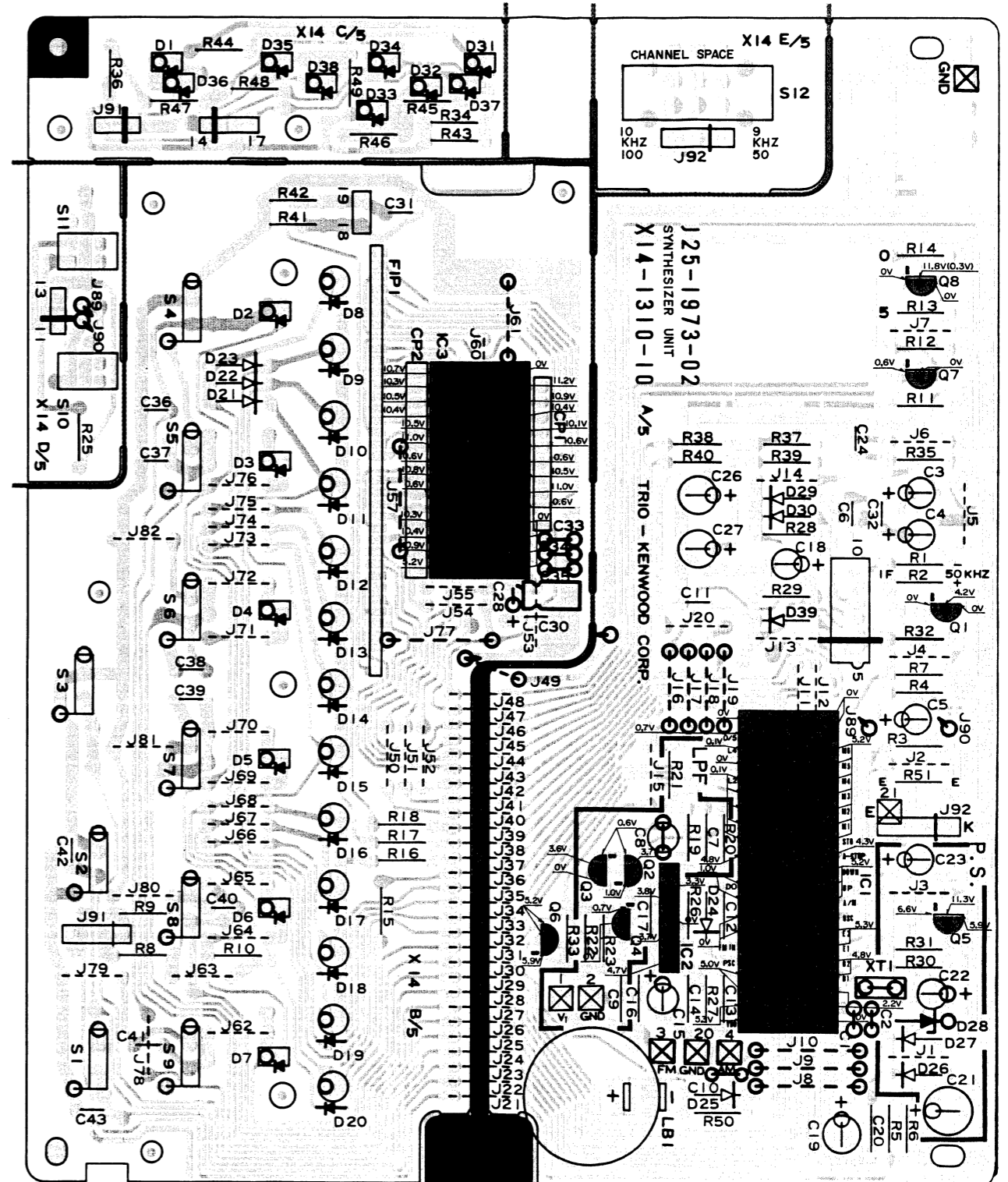
P.C. BOARD



Refer to the schematic diagram for the values of resistors and capacitors. The PC board drawing is viewing from the side easy to check.

P.C. BOARD

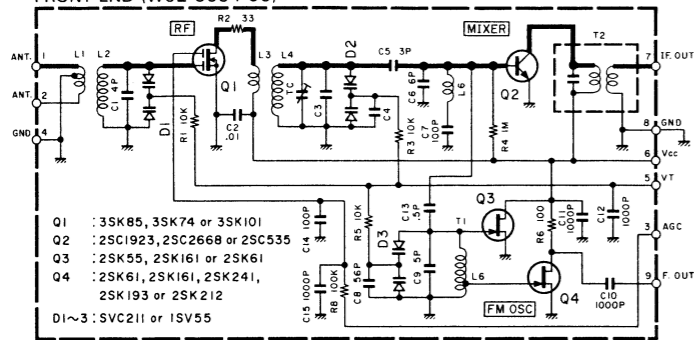
SYNTHESIZER (X14-1310-10) Component side view



Refer to the schematic diagram for the values of resistors and capacitors. The PC board drawing is viewing from the side easy to check.

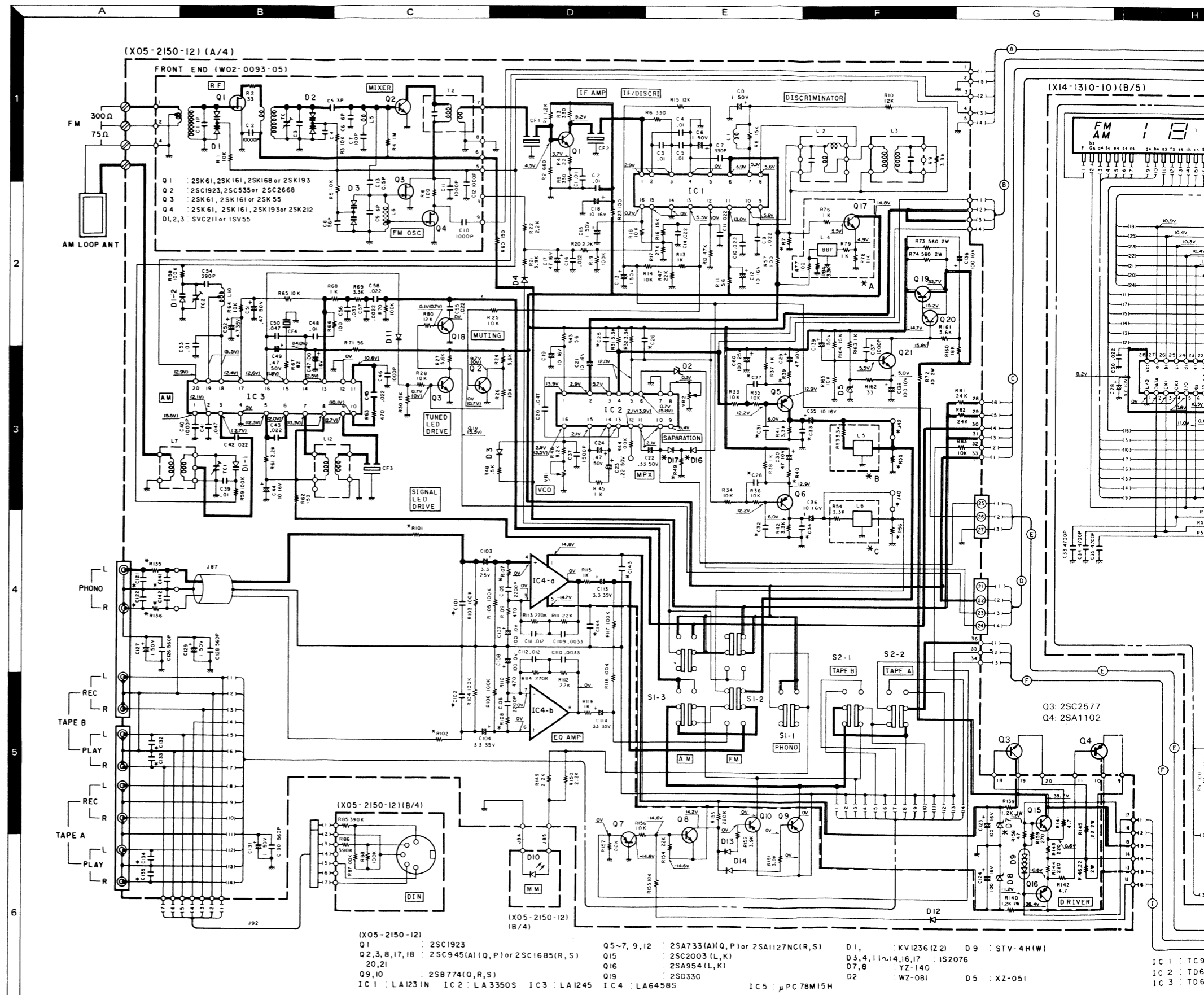
## FM FRONT END

FRONT END (W02-0094-05)



	X05-2150-12 (K, P, KR-825)	X05-2150-82 (U, M, H, X, UE)	X05-2152-72 (T, E)
C25		0.022	0.015
C26	0.022	0.022	
C27		0.0039	
C28	0.0039	0.0039	
C31		270P	
C32	270P	270P	
C33		0.0027	
C34	0.0027	0.0027	0.0027
C72			
C73		0.0068	
C74			
C75		0.015	
C101			
C102	100P	100P	
C121			
C122			39P
C132-135			330P
C141			
C142			180P
C143			
C144			0.022
R7	10K	10K	
R39			
R40	820	820	100
R49			56K
R51			
R52			100K
R55			
R56	36K	36K	3.3K
R101			
R102	100	100	220
R107			
R108	150	150	47
R135			
R136			1K
D16			
D17			
A			
B			
C			

	X14-1310-11 (K,P,U,M,H,X,UE,825)	X14-1312-72 (T, E)
R51		2.2K
S12		

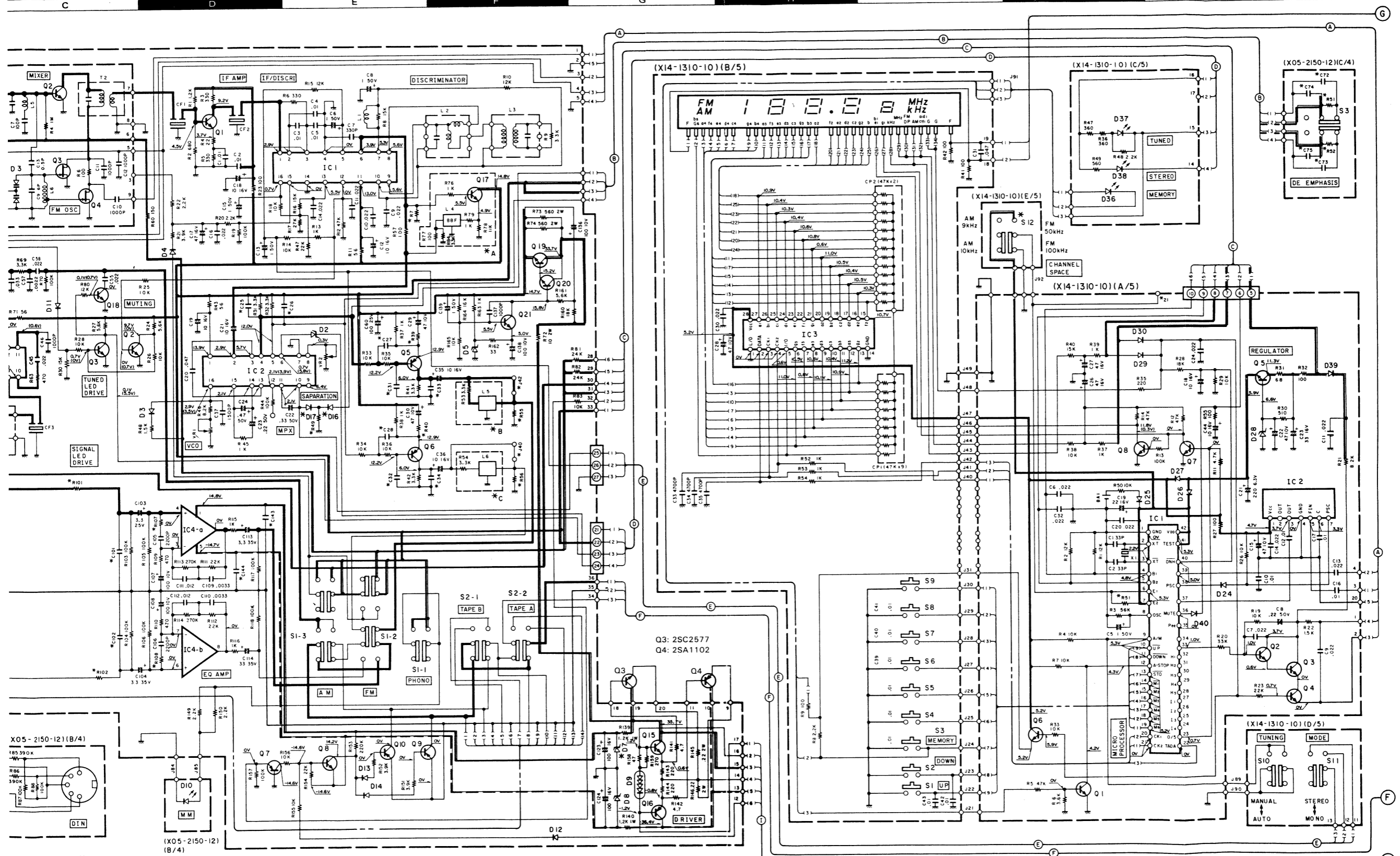


- (X05-2150-12) (B/4)
- Q1 : 2SK1923  
Q2,3,8,17,18 : 2SC945(A)(Q,P) or 2SC1685(R,S)  
20,21 : 2SK61, 2SK161, 2SK193 or 2SK212  
Q9,10 : 2SK774(O,R,S)  
IC1 : LA1231N IC2 : LA3350S IC3 : LA1245 IC4 : LA6458S
- Q5-7, 9,12 : 2SA733(A)(Q,P) or 2SA1127N(C,R,S)  
Q15 : 2SC2003(L,K)  
Q16 : 2SA954(L,K)  
Q19 : 2SD330
- D1, : KV1236 (Z2) D9 : STV-4H(W)  
D3,4,11,14,16,17 : IS2076  
D7,8 : YZ-140  
D2 : WZ-081 D5 : XZ-051
- IC1 : TC91  
IC2 : T061  
IC3 : T061



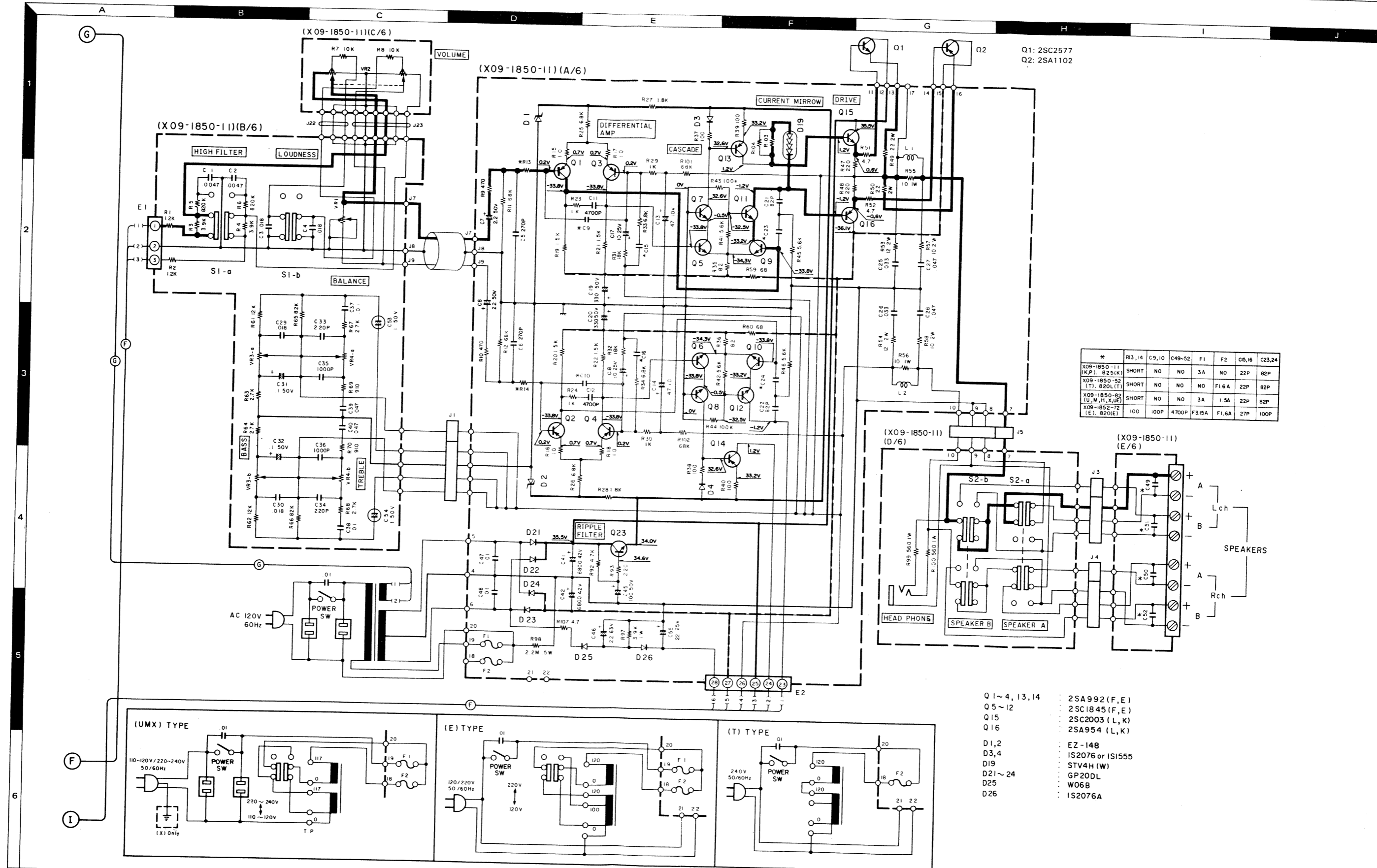
# COMPUTERIZED STEREO RECEIVER

# KR-820/825



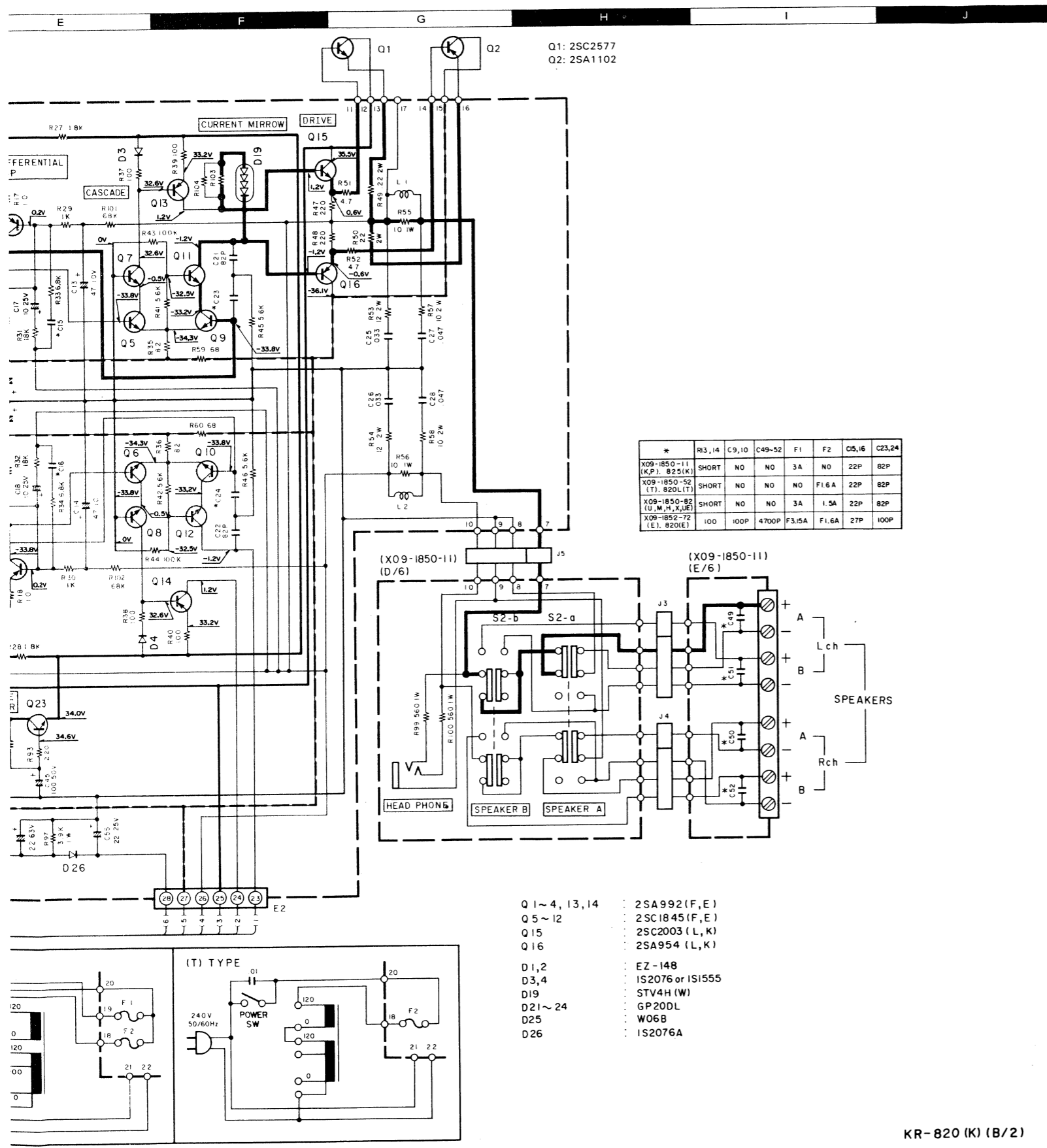
- |               |                                |  |                   |                      |               |                     |                    |
|---------------|--------------------------------|--|-------------------|----------------------|---------------|---------------------|--------------------|
| (X05-2150-12) | Q1 : 2SC1923                   | Q5~7, 9, 12 : 2SA733(A)(Q,P) or 2SA1127(NC)(R,S) | D1, : KV1236 (Z2) | D9 : STV-4H(W)       | IC1 : TC9137P | Q1 : 2SC945(A)(Q)   | Q5 : 2SC2003       |
| Q2,3,8,17,18  | 2SC945(A)(Q,P) or 2SC1685(R,S) | Q15 : 2SC2003(L,K)                               | D3,4,11,14,16,17  | IS2076               | IC2 : TD6104P | Q2,3 : 2SC1845(E)   | D24~27,29,30,39,40 |
| 20,21         |                                | Q16 : 2SA954(L,K)                                | D7,8 : YZ-140     |                      | IC3 : TD6301P | Q4,6~8              | IS2076             |
| Q9,10         | 2SB774(Q,R,S)                  | Q19 : 2SD330                                     | D2 : WZ-081       | D5 : XZ-051          |               | Q1 : 2SC945(A)(Q,P) | D28 : XZ-064       |
| IC1 : LA123IN | IC2 : LA3350S                  | IC3 : LA1245                                     | IC4 : LA6458S     | IC5 : $\mu$ PC78M15H |               |                     |                    |

KR-820(K) (A/2)

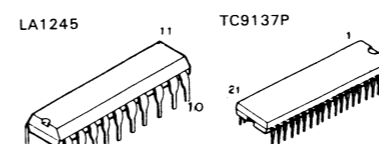
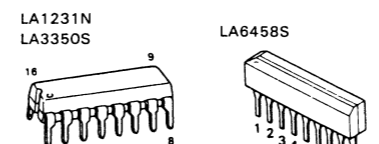
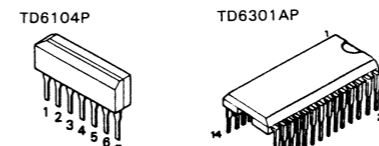
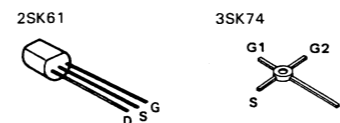
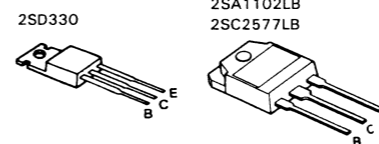
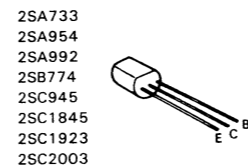


# COMPUTERIZED STEREO RECEIVER

# KR-820/825



KR-820 (K) (B/2)



## SPECIFICATIONS

### AUDIO SECTION

**Power Output**  
33 watts\* per channel minimum RMS, both channel driven at 8 ohms from 20 Hz to 20,000 Hz with no more than 0.03% total harmonic distortion.

**Both Channels Driven**  
into 8 ohms at 1,000 Hz ..... 36 W + 36 W  
into 4 ohms at 1,000 Hz ..... 45 W + 45 W  
**Dynamic Power Output at**  
4 ohms ..... 180 W

**Total Harmonic Distortion**  
(20 Hz to 20,000 Hz from TAPE)  
rated power into 8 ohms ..... 0.03%  
1 watt power into 8 ohms ..... 0.02%

**Intermodulation Distortion**  
(60 Hz: 7 kHz = 4:1 SMPTE)  
rated power into 8 ohms ..... 0.02%

**Slew Rate** ..... ± 50 V/μsec  
**Rise Time** ..... 2 μsec

**Damping Factor (at 8 ohms**  
1 kHz) ..... 50

**Input Sensitivity/Impedance**  
PHONO ..... 2.5 mV/50 k ohms  
TAPE ..... 150 mV/50 k ohms

**Signal to Noise Ratio (A weighted)**  
PHONO ..... 74 dB for 2.5 mV input  
80 dB for 5.0 mV input  
100 dB for 150 mV input

**TAPE**  
**Maximum PHONO Input Level**  
at 1,000 Hz ..... 150 mV (rms),  
THD 0.03%

**Frequency Response**  
PHONO RIAA Standard  
Curve ..... 20 Hz to 20,000 Hz  
± 0.3 dB  
TAPE ..... 5 Hz to 150,000 Hz  
-3 dB

**Tone Control**  
Bass ..... ± 8 dB at 100 Hz  
Treble ..... ± 8 dB at 10 kHz

**Loudness Control**  
(VOL. -30 dB) ..... +10 dB at 100 Hz

**High Filter** ..... 5 kHz, 6 dB/oct  
**Output Level/Impedance**  
TAPE REC Out (Pin) ..... 150 mV/k ohms

### FM TUNER SECTION

**Usable Sensitivity** ..... 10.8 dBf (1.9 μV)  
**50 dB Quieting Sensitivity**  
Mono ..... 17.3 dBf (4.0 μV)  
Stereo ..... 37.5 dBf (40.0 μV)

**Signal to Noise Ratio at 65 dBf**  
Mono ..... 75 dB  
Stereo ..... 71 dB

**Total Harmonic Distortion at**  
1,000 Hz  
Mono ..... 0.1%  
Stereo ..... 0.15%

**Frequency Response** ..... 30 Hz to 15,000 Hz,  
+0.5 dB, -2.0 dB

**Capture Ratio** ..... 1 dB  
**Image Rejection Ratio** ..... 45 dB  
**Spurious Response Ratio** ..... 70 dB  
**IF Response Ratio** ..... 95 dB

**Alternate Channel Selectivity** ..... 50 dB at 400 kHz  
**AM Suppression Ratio** ..... 68 dB  
**Stereo Separation Ratio**  
at 1,000 Hz ..... 50 dB  
at 50 Hz to 10,000 Hz ..... 40 dB  
**Subcarrier Product Ratio** ..... 40 dB  
**Antenna Impedance** ..... 300 ohms balanced &  
75 ohms unbalanced

**FM Frequency Range** ..... 88 MHz to 108 MHz

### AM TUNER SECTION

**Usable Sensitivity** ..... 10 μV  
**Signal to Noise Ratio** ..... 50 dB  
**Image Rejection** ..... 40 dB  
**Selectivity** ..... 30 dB

### GENERAL

**Power Consumption** ..... 1.8A/155 watts at full  
power  
33 watts at no signal

**AC Outlet** ..... Switched x 1  
Unswitched x 1

**Dimensions** ..... W440 mm (17-5/16")  
H 123 mm (4-27/32")  
D 290 mm (11-27/64")

**Net Weight** ..... 5.8 kg (12.8 lb)  
**Gross Weight** ..... 6.5 kg (14.3 lb)

\* Measured pursuant to Federal Trade Commission's Trade Regulation rule on Power Output Claims for Amplifier in U.S.A.

- DC voltages are measured by a VOM of 20 kΩ/V input impedance.
- Les tensions de courant continu sont mesurées par un multimètre d'une impédance d'entrée de 20 kΩ/V.
- Die Gleichstrom-Spannungen werden durch ein Vielfachmeßgerät von 20 kΩ/V Eingangs-Impedanz gemessen.

Kenwood follows a policy of continuous advancements in development. For this reason specifications may be changed without notice.

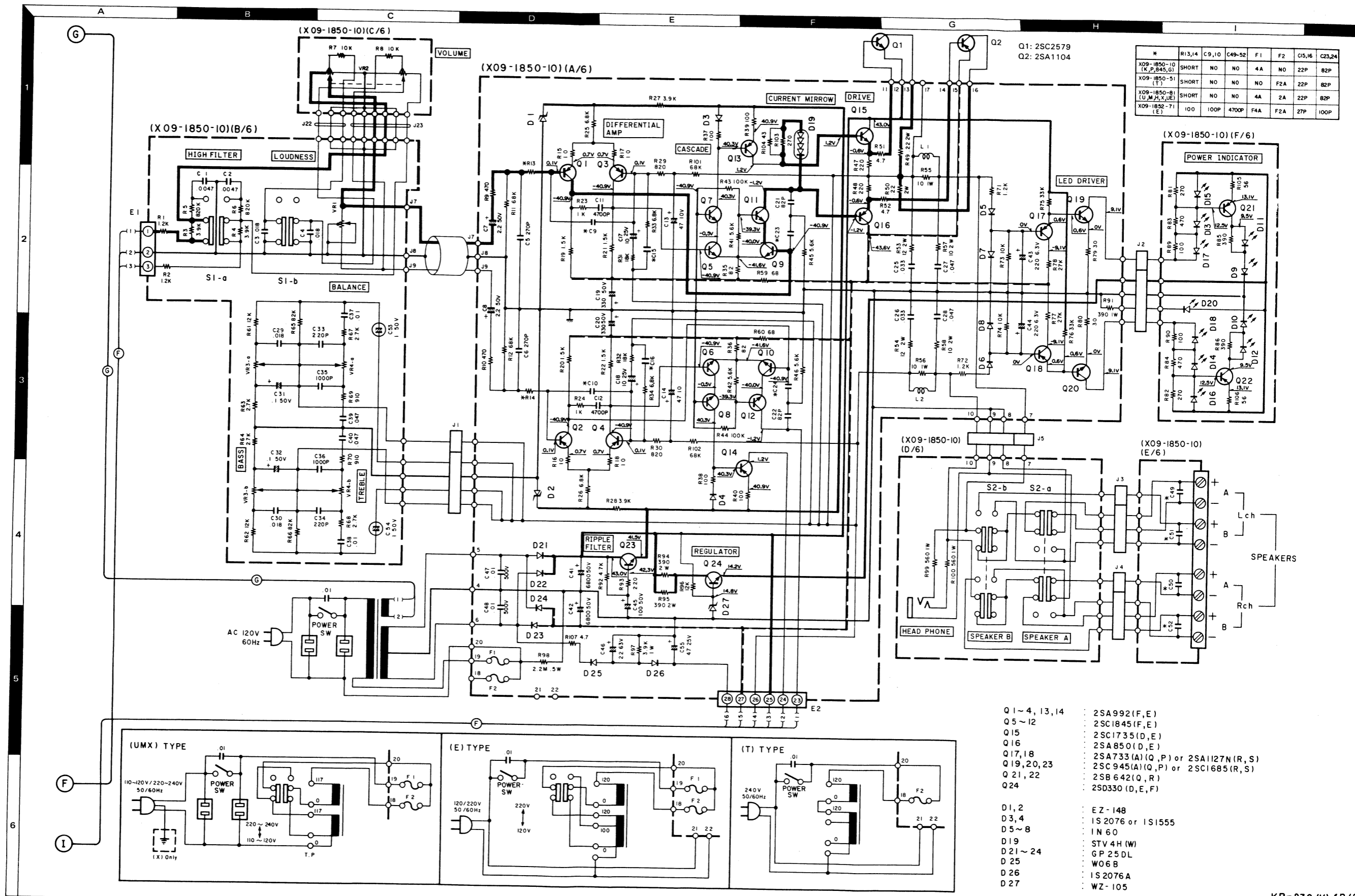
Kenwood poursuit une politique de progrès constants en ce qui concerne le développement. Pour cette raison, les spécifications sont sujettes à modifications sans préavis.

Kenwood strebt ständige Verbesserungen in der Entwicklung an. Daher bleiben Änderungen der technischen Daten jederzeit vorbehalten.







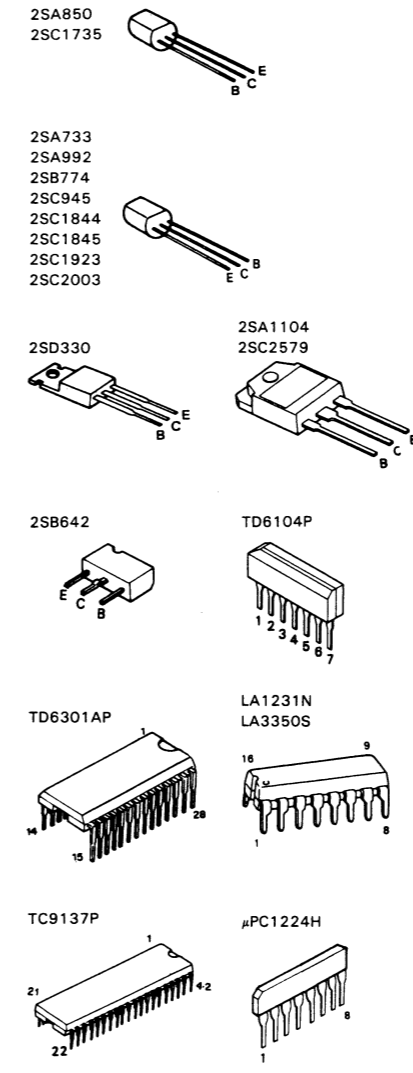
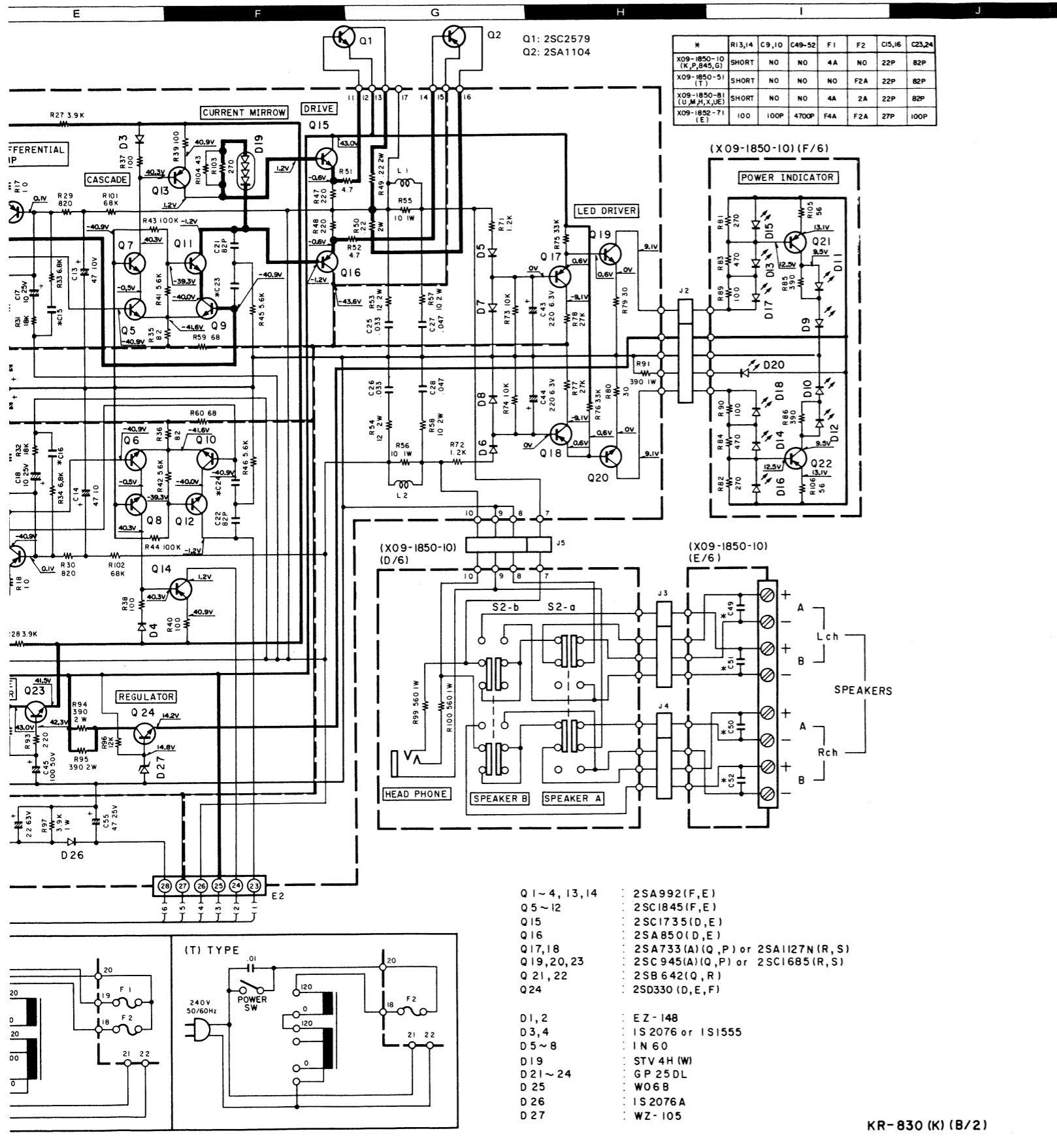
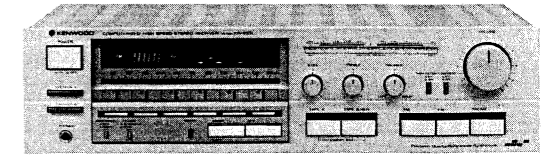


#	R13,14	C9,10	C49-52	F1	F2	C15,16	C23,24
X09-1850-10 (K,P,S45,G)	SHORT	NO	NO	4A	NO	22P	82P
X09-1850-51 (T)	SHORT	NO	NO	NO	F2A	22P	82P
X09-1850-81 (U,M,H,X,UE)	SHORT	NO	NO	4A	2A	22P	82P
X09-1852-71 (E)	100	100P	4700P	F4A	F2A	27P	100P

- Q1 ~ 4, 13, 14 : 2SA992(F,E)
- Q5 ~ 12 : 2SC1845(F,E)
- Q15 : 2SC1735(D,E)
- Q16 : 2SA850(D,E)
- Q17, 18 : 2SA733(A)(Q,P) or 2SA1127N(R,S)
- Q19, 20, 23 : 2SC945(A)(Q,P) or 2SC1685(R,S)
- Q21, 22 : 2SB642(Q,R)
- Q24 : 2S0330(D,E,F)
- D1, 2 : EZ-148
- D3, 4 : 1S2076 or 1S1555
- D5 ~ 8 : 1N60
- D19 : STV4H(W)
- D21 ~ 24 : GP25DL
- D25 : W06B
- D26 : 1S2076A
- D27 : WZ-105

# COMPUTERIZED STEREO RECEIVER

# KR-830/845G



## SPECIFICATIONS

### AUDIO SECTION

**Power Output**  
50 watts\* per channel minimum RMS, both channel driven at 8 ohms from 20 Hz to 20,000 Hz with no more than 0.03% total harmonic distortion.

**Both Channels Driven**  
into 8 ohms at 1,000 Hz ..... 55 W + 55 W  
into 4 ohms at 1,000 Hz ..... 65 W + 65 W

**Dynamic Power Output at 4 ohms** ..... 260 W

**Total Harmonic Distortion (20 Hz to 20,000 Hz from TAPE)**  
rated power into 8 ohms ..... 0.03%  
1 watt power into 8 ohms ..... 0.02%

**Intermodulation Distortion (60 Hz: 7 kHz = 4:1 SMPTE)**  
rated power into 8 ohms ..... 0.02%

**Slew Rate** ..... ± 50 V/μsec

**Rise Time** ..... 2 μsec

**Damping Factor (at 8 ohms 1 kHz)** ..... 50

**Input Sensitivity/Impedance**  
PHONO ..... 2.5 mV/50 k ohms  
TAPE, AUX ..... 150 mV/50 k ohms

**Signal to Noise Ratio (A weighted) PHONO**  
79 dB for 2.5 mV input  
85 dB for 5.0 mV input  
105 dB for 150 mV input

**TAPE, AUX**  
**Maximum PHONO Input Level at 1,000 Hz**  
200 mV (rms), THD 0.03%

**Frequency Response PHONO RIAA Standard**  
Curve ..... 20 Hz to 20,000 Hz ± 0.3 dB  
TAPE, AUX ..... 5 Hz to 150,000 Hz -3 dB

**Tone Control**  
Bass ..... ± 8 dB at 100 Hz  
Treble ..... ± 8 dB at 10 kHz

**Loudness Control (VOL. -30dB)** ..... +10 dB at 100 Hz

**High Filter** ..... 5 kHz, 6 dB/oct

**Output Level/Impedance**  
TAPE REC Out (Pin) ..... 150 mV/k ohms

**FM TUNER SECTION**  
Usable Sensitivity ..... 10.8 dBf (1.9 μV)  
50 dB Quieting Sensitivity

Mono ..... 17.3 dBf (4.0 μV)  
Stereo ..... 37.5 dBf (40.0 μV)

**Signal to Noise Ratio at 65 dBf**  
Mono ..... 76 dB  
Stereo ..... 72 dB

**Total Harmonic Distortion at 1,000 Hz**  
Mono ..... 0.09%  
Stereo ..... 0.14%

**Frequency Response** ..... 30 Hz to 15,000 Hz, +0.5 dB, -2.0 dB

**Capture Ratio** ..... 1 dB  
**Image Rejection Ratio** ..... 45 dB  
**Spurious Response Ratio** ..... 70 dB  
**IF Response Ratio** ..... 95 dB

**Alternate Channel Selectivity** ..... 50 dB at 400 kHz  
**AM Suppression Ratio** ..... 68 dB  
**Stereo Separation Ratio**  
at 1,000 Hz ..... 50 dB  
at 50 Hz to 10,000 Hz ..... 40 dB  
**Subcarrier Product Ratio** ..... 40 dB  
**Antenna Impedance** ..... 300 ohms balanced & 75 ohms unbalanced  
**FM Frequency Range** ..... 88 MHz to 108 MHz

**AM TUNER SECTION**  
Usable Sensitivity ..... 10 μV  
Signal to Noise Ratio ..... 50 dB  
Image Rejection ..... 40 dB  
Selectivity ..... 30 dB

**GENERAL**  
**Power Consumption** ..... 2.6A/240 watts at full power  
38 watts at no signal  
**AC Outlet** ..... Switched x 1  
Unswitched x 1  
**Dimensions** ..... W440 mm (17-5/16")  
H 123 mm (4-7/32")  
D 290 mm (11-27/64")  
**Net Weight** ..... 6.8 kg (15.0 lb)  
**Gross Weight** ..... 7.5 kg (16.5 lb)

\* Measured pursuant to Federal Trade Commission's Trade Regulation rule on Power Output Claims for Amplifier in U.S.A.

- DC voltages are measured by a VOM of 20 kΩ/V input impedance
- Les tensions de courant continu sont mesurées par un multimètre d'une impédance d'entrée de 20 kΩ/V.
- Die Gleichstrom-Spannungen werden durch ein Vielfachmeßgerät von 20 kΩ/V Eingangs-Impedanz gemessen.

Kenwood follows a policy of continuous advancements in development. For this reason specifications may be changed without notice.  
Kenwood poursuit une politique de progrès constants en ce qui concerne le développement. Pour cette raison, les spécifications sont sujettes à modifications sans préavis.  
Kenwood strebt ständige Verbesserungen in der Entwicklung an. Daher bleiben Änderungen der technischen Daten jederzeit vorbehalten.



PARTS LIST

\* New Parts

Parts without Parts No. are not supplied. Les articles non mentionnés dans le Parts No. ne sont pas fournis. Teile ohne Parts No. werden nicht geliefert.

Table with 4 columns: Ref. No., Parts No., Description, Remarks. Includes parts for KR-830 such as metallic frame, cabinet, and various electronic components.

K: USA P: Canada T: England E: Scandinavia & Europe X: Australia H: Audio Club U: PX (Far East, Hawaii) UE: AAFES (Europe) M: Other Areas S: South Africa 845: USA (KR-845G)

PARTS LIST

\* New Parts

Parts without Parts No. are not supplied. Les articles non mentionnés dans le Parts No. ne sont pas fournis. Teile ohne Parts No. werden nicht geliefert.

Table with 4 columns: Ref. No., Parts No., Description, Remarks. Includes parts such as ceramic capacitors, electrolytic capacitors, and various electronic components.

K: USA P: Canada T: England E: Scandinavia & Europe X: Australia H: Audio Club U: PX (Far East, Hawaii) UE: AAFES (Europe) M: Other Areas S: South Africa 845: USA (KR-845G)

Table with 4 columns: Ref. No., Parts No., Description, Remarks. Includes parts such as trimmer capacitors, coils, and various electronic components.

K: USA P: Canada T: England E: Scandinavia & Europe X: Australia H: Audio Club U: PX (Far East, Hawaii) UE: AAFES (Europe) M: Other Areas S: South Africa 845: USA (KR-845G)

PARTS LIST

\* New Parts  
Parts without Parts No. are not supplied.  
Les articles non mentionnés dans le Parts No. ne sont pas fournis.  
Teile ohne Parts No. werden nicht geliefert.

Ref. No. 参照番号	Parts No. 部品番号	Description 部品名 / 規格	Re- marks 備考
C14	C55-1722-38	CERAMIC 0.022UF Z	
C15	C24-1710-57	ELECTRO 1UF 50WV	
C16	C55-1722-38	CERAMIC 0.022UF Z	
C17	C24-1247-67	ELECTRO 47UF 16WV	
C18 ,19	C24-1210-67	ELECTRO 10UF 16WV	
C20	C46-1747-36	MYLAR 0.047UF K	
C21	C24-1210-67	ELECTRO 10UF 16WV	
C22	C24-1733-47	ELECTRO 0.33UF 50WV	
C23	C24-1722-47	ELECTRO 0.22UF 50WV	
C24	C24-1747-47	ELECTRO 0.47UF 50WV	
C25 ,26	C46-1715-35	MYLAR 0.015UF J	TE
C25 ,26	C46-1722-35	MYLAR 0.022UF J	KP 845
C27 ,28	C46-1739-26	MYLAR 0.0039UF K	KPU UE
C27 ,28	C46-1739-26	MYLAR 0.0039UF K	MXH 845
C29 ,30	C24-1047-67	ELECTRO 47UF 10WV	
C31 ,32	C71-1727-15	CERAMIC 270PF J	KPU UE
C31 ,32	C71-1727-15	CERAMIC 270PF J	MXH 845
C33 ,34	C46-1727-26	MYLAR 0.0027UF K	KPU UE
C33 ,34	C46-1727-26	MYLAR 0.0027UF K	MXH 845
C35 ,36	C24-1210-67	ELECTRO 10UF 16WV	
C37	C47-1715-25	POLYSTY 1500PF J	
C39	C55-1710-38	CERAMIC 0.01UF Z	
C40	C52-1710-26	CERAMIC 0.001UF K	
C41	C55-1747-38	CERAMIC 0.047UF Z	
C42 ,43	C55-1722-38	CERAMIC 0.022UF Z	
C44	C24-1210-67	ELECTRO 10UF 16WV	
C45	C46-1722-36	MYLAR 0.022UF K	
C46	C46-1710-26	MYLAR 0.001UF K	
C47	C24-1210-77	ELECTRO 100UF 16WV	
C48	C46-1710-36	MYLAR 0.01UF K	
C49	C24-1747-47	ELECTRO 0.47UF 50WV	
C50	C55-1747-38	CERAMIC 0.047UF Z	
C51	C24-1747-47	ELECTRO 0.47UF 50WV	
C52	C24-6547-57	ELECTRO 4.7UF 35WV	
C53	C55-1710-38	CERAMIC 0.01UF Z	
C54	C47-1739-15	POLYSTY 390PF J	
C55	C91-0085-05	CERAMIC 0.022UF N	
C56	C46-1733-36	MYLAR 0.033UF K	
C57	C46-1722-26	MYLAR 0.0022UF K	
C58	C46-1722-36	MYLAR 0.022UF K	
C60	C24-1410-77	ELECTRO 100UF 25WV	
C72 ,73	C46-1768-25	MYLAR 0.0068UF J	U MH
C72 ,73	C46-1768-25	MYLAR 0.0068UF J	X UE
C74 ,75	C46-1715-35	MYLAR 0.015UF J	U MH
C74 ,75	C46-1715-35	MYLAR 0.015UF J	X UE
C101,102	C71-1710-15	CERAMIC 100PF J	KPU UE
C101,102	C71-1710-15	CERAMIC 100PF J	MXH 845
C103,104	C25-6533-57	LL-ELEC 3.3UF 35WV	
C105,106	C52-1722-26	CERAMIC 0.0022UF K	
C107,108	C24-1010-77	ELECTRO 100UF 10WV	
C109,110	C46-1733-25	MYLAR 0.0033UF J	
C111,112	C46-1712-35	MYLAR 0.012UF J	
C113,114	C25-6533-57	LL-ELEC 3.3UF 35WV	
C115,116	C25-1247-67	LL-ELEC 47UF 16WV	845
C117,118	C52-1722-26	CERAMIC 0.0022UF K	845
C119,120	C25-6533-57	LL-ELEC 3.3UF 35WV	845
C121,122	C71-1739-05	CERAMIC 39PF J	TE
C123,124	C24-1410-77	ELECTRO 100UF 25WV	
C125	C24-1247-77	ELECTRO 470UF 16WV	845
C126	C52-1756-16	CERAMIC 560PF K	
C127	C24-1710-57	ELECTRO 1UF 50WV	
C128	C52-1756-16	CERAMIC 560PF K	

K: USA P: Canada T: England E: Scandinavia & Europe  
X: Australia H: Audio Club U: PX (Far East, Hawaii)  
UE: AAFES (Europe) M: Other Areas S: South Africa  
845: USA (KR-845G)

PARTS LIST

\* New Parts  
Parts without Parts No. are not supplied.  
Les articles non mentionnés dans le Parts No. ne sont pas fournis.  
Teile ohne Parts No. werden nicht geliefert.

Ref. No. 参照番号	Parts No. 部品番号	Description 部品名 / 規格	Re- marks 備考
D5	V11-4103-60	XZ-051	
D6	V11-0254-05	YZ-140	845
D7	V11-0308-05	WZ-192	KPUMHXTE UE
D7	V11-0311-05	BZ-192	845
D8	V11-0308-05	WZ-192	
D9	V11-5100-10	STV-4H(W)	
D11 -14	V11-0271-05	1S2076	TE
D16 ,17	V11-0271-05	1S2076	
IC1	V30-0497-10	LA1231N	
IC2	V30-0240-05	LA3350S	
IC3	V30-0519-10	LA1245	
IC4	V30-0723-10	UPC1224H	
Q1	V03-1923-00	2SC1923	
Q2 ,3	V03-0945-80	2SC945(A)(Q,P)	
Q4	V03-0945-51	2SC945(A)(Q)	
Q5 -7	V01-0733-40	2SA733(A)(Q,P)	
Q8	V03-0945-80	2SC945(A)(Q,P)	
Q9 ,10	V02-0774-10	2SB774(Q,R,S)	
Q13 ,14	V03-1844-10	2SC1844(F,E)	845
Q15	V03-0452-05	2SC1735	
Q16	V01-0173-05	2SA850	TE
Q17	V03-0945-80	2SC945(A)(Q,P)	
Q18	V03-0945-80	2SC945(A)(Q,P)	
Q19	V04-0330-00	2SD330	
Q20 ,21	V03-0945-80	2SC945(A)(Q,P)	
-	W02-0093-05	FM FRONT END	KPUMHXUE 845
-	W02-0094-05	FM FRONT END	* TE
<b>KR-830 AUDIO AMP (X09-1850-10)</b>			
201 3D	NO STOCK	ESCUTCHEON	
D9 -16	B30-0378-05	LED	*
D17 ,18	B30-0379-05	LED	*
D20	B30-0378-05	LED	*
C1 ,2	C46-1747-26	MYLAR 0.0047UF K	
C3 ,4	C46-1718-36	MYLAR 0.018UF K	
C5 ,6	C71-1727-15	CERAMIC 270PF J	
C7 ,8	C25-1722-57	LL-ELEC 2.2UF 50WV	
C9 ,10	C71-1710-15	CERAMIC 100PF J	E
C11 ,12	C46-1747-26	MYLAR 0.0047UF K	
C13 ,14	C24-1047-67	ELECTRO 47UF 10WV	
C15 ,16	C71-1722-05	CERAMIC 22PF J	KPU UE
C15 ,16	C71-1722-05	CERAMIC 22PF J	MXHT 845
C15 ,16	C71-1727-05	CERAMIC 27PF J	E
C17 ,18	C24-1410-67	ELECTRO 10UF 25WV	
C19 ,20	C24-1733-77	ELECTRO 330UF 50WV	
C21 ,22	C71-1782-05	CERAMIC 82PF J	E
C23 ,24	C71-1710-15	CERAMIC 100PF J	UE
C23 ,24	C71-1782-05	CERAMIC 82PF J	KPU UE
C23 ,24	C71-1782-05	CERAMIC 82PF J	MXHT 845
C25 ,26	C46-1733-36	MYLAR 0.033UF K	
C27 ,28	C46-1747-36	MYLAR 0.047UF K	
C29 ,30	C46-1718-36	MYLAR 0.018UF K	
C31 ,32	C25-1710-47	LL-ELEC 0.1UF 50WV	
C33 ,34	C47-1722-15	POLYSTY 220PF J	
C35 ,36	C47-1710-26	POLYSTY 0.001UF 50WV	
C37 ,38	C46-1710-36	MYLAR 0.01UF K	
C39 ,40	C46-1747-36	MYLAR 0.047UF K	
C41 ,42	C90-0578-05	ELECTRO 6800UF 50WV	*
C43 ,44	C24-0822-77	ELECTRO 220UF 6.3WV	
C45	C24-1710-77	ELECTRO 100UF 50WV	
C46	C24-1822-06	ELECTRO 22UF 63WV	
C47 ,48	C54-2710-39	CERAMIC 0.01UF P	

K: USA P: Canada T: England E: Scandinavia & Europe  
X: Australia H: Audio Club U: PX (Far East, Hawaii)  
UE: AAFES (Europe) M: Other Areas S: South Africa  
845: USA (KR-845G)

Ref. No. 参照番号	Parts No. 部品番号	Description 部品名 / 規格	Re- marks 備考
C49 -52	C52-1747-26	CERAMIC 0.0047UF K	E
C53 ,54	C26-1710-57	NP-ELEC 1UF 50WV	
C55	C24-1747-67	ELECTRO 47UF 50WV	
202 2C	E11-0098-05	PHONE JACK	*
203 1D	E20-0816-05	TERMINAL BOARD	*
F1	F05-4022-05	FUSE	UMHX UE
F1	F05-4024-05	FUSE	E
F1	F06-4024-05	FUSE	KP 845
F2	F05-2023-05	FUSE	UMHX UE
F2	F05-2029-05	FUSE	TE
-	J13-0055-05	FUSE HOLDER	
L1 ,2	L39-0085-05	COIL	
R27 ,28	R42-1239-25	FL-PROOF RD3,9K	J 2E
R37 -40	R42-1210-15	FL-PROOF RD100	J 2E
R47 ,48	R42-1222-15	FL-PROOF RD220	J 2E
R49 ,50	R92-0166-05	METAL-PLATE0,22	K 3D
R51 ,52	R42-1247-95	FL-PROOF RD4,7	J 2E
R53 ,54	R47-5512-05	FL-PROOF RS12	J 3D
R55 ,56	R47-5410-05	FL-PROOF RS10	J 3A
R57 ,58	R47-5510-05	FL-PROOF RS10	J 3D
R59 ,60	R42-1268-05	FL-PROOF RD68	J 2E
R71 ,72	R42-1212-25	FL-PROOF RD1,2K	J 2E
R91	R47-5439-15	FL-PROOF RS390	J 3A
R92	R42-1247-25	FL-PROOF RD4,7K	J 2E
R94 ,95	R47-5539-15	FL-PROOF RS390	J 3D
R97	R47-5439-25	FL-PROOF RS3,9K	J 3A
R98	R92-0173-05	RC 2,2M	M 2H KP
R98	R92-0173-05	RC 2,2M	M 2H 845
R99 ,100	R47-5456-15	FL-PROOF RS560	J 3A
R103	R42-1227-15	FL-PROOF RD270	J 2E
R104	R42-1243-05	FL-PROOF RD43	J 2E
R107	R42-1247-95	FL-PROOF RD4,7	J 2E
VR1	R01-5038-05	POTENTIOMETER	*
VR2	R06-5068-05	POTENTIOMETER	*
VR3 ,4	R06-4057-05	POTENTIOMETER	*
S1	S42-2076-05	PUSH SWITCH	*
S2	S42-2070-05	PUSH SWITCH	*
D1 ,2	V11-4111-30	EZ-148	
D3 ,4	V11-0271-05	1S2076	
D5 -8	V11-0051-05	1N60	
D19	V11-5100-10	STV-4H(W)	
D21 -24	V11-2401-50	GP25DL	
D25	V11-0295-05	W06B	
D26	V11-0273-05	1S2076A	
D27	V11-4113-40	WZ-105	
Q1 -4	V01-0992-10	2SA992(F,E)	
Q5 -12	V03-1845-10	2SC1845(F,E)	
Q13 ,14	V01-0992-10	2SA992(F,E)	
Q15	V03-0452-05	2SC1735	
Q16	V01-0173-05	2SA850	
Q17 ,18	V01-0733-40	2SA733(A)(Q,P)	
Q19 ,20	V03-0945-80	2SC945(A)(Q,P)	
Q21 ,22	V02-0642-10	2SB642(Q,R)	
Q23	V03-0945-80	2SC945(A)(Q,P)	
Q24	V04-0330-00	2SD330	
<b>KR-830 SYNTHESIZER (X14-1310-10)</b>			
D1	B30-0231-05	LED	*
D2 -7	B30-0377-05	LED	
D8 -20	B30-0364-05	LED	

**PARTS LIST**

\* New Parts

Parts without Parts No. are not supplied.  
Les articles non mentionnés dans le Parts No. ne sont pas fournis.  
Teile ohne Parts No. werden nicht geliefert.

Ref. No. 参照番号	Parts No. 部品番号	Description 部品名 / 規格	Re- marks 備考
D31 -33	B30-0230-05	LED	
D34	B30-0231-05	LED	
D35	B30-0230-05	LED	
C1 ,2	C58-1733-05	CERAMIC 33PF J	
C3 ,4	C24-1210-67	ELECTRO 10UF 16WV	
C5	C24-1710-57	ELECTRO 1UF 50WV	
C6	C55-1722-38	CERAMIC 0.022UF Z	
C7	C91-0085-05	CERAMIC 0.022UF N	
C8	C26-1722-47	NP-ELEC 0.22UF 50WV	
C9	C91-0085-05	CERAMIC 0.022UF N	
C10	C55-1710-38	CERAMIC 0.01UF Z	
C11	C55-1722-38	CERAMIC 0.022UF Z	
C12	C91-0083-05	CERAMIC 0.01UF N	
C13 ,14	C91-0085-05	CERAMIC 0.022UF N	
C15	C24-1047-67	ELECTRO 47UF 10WV	
C16 ,17	C91-0083-05	CERAMIC 0.01UF N	
C18	C24-1210-67	ELECTRO 10UF 16WV	
C19	C25-1222-67	LL-ELEC 22UF 16WV	
C20	C91-0085-05	CERAMIC 0.022UF N	
C21	C24-0822-77	ELECTRO 220UF 6.3WV	
C22	C24-1047-67	ELECTRO 47UF 10WV	
C23	C24-1233-67	ELECTRO 33UF 16WV	
C24	C55-1722-38	CERAMIC 0.022UF Z	
C26 ,27	C24-1247-67	ELECTRO 47UF 16WV	
C28	C24-1047-67	ELECTRO 47UF 10WV	
C30	C55-1722-38	CERAMIC 0.022UF Z	
C31	C55-1747-38	CERAMIC 0.047UF Z	
C32	C55-1722-38	CERAMIC 0.022UF Z	
C33 -35	C52-1747-26	CERAMIC 0.0047UF K	
C36 -40	C55-1710-38	CERAMIC 0.01UF Z	
C41	C55-1710-38	CERAMIC 0.01UF Z	
C42 ,43	C55-1710-38	CERAMIC 0.01UF Z	
C44	C24-1210-67	ELECTRO 10UF 16WV	
XT1	L77-0578-05	CRYSTAL RESONATOR	
CP1	R90-0193-05	MULTIPLE COMPONENTS	*
CP2	R90-0192-05	MULTIPLE COMPONENTS	*
R32	R42-1282-05	FL-PROOF RD82 J 2E	TE
S1 -9	S40-1053-05	PUSH SWITCH	
S10 ,11	S42-2064-05	PUSH SWITCH	*
S12	S31-2072-05	SLIDE SWITCH	KPUMHXUE 845
D21 -27	V11-0271-05	1S2076	
D28	V11-4104-20	XZ-064	
D29 ,30	V11-0271-05	1S2076	
D39	V11-0271-05	1S2076	
D40	V11-0271-05	1S2076	
FIP1	V40-4401-10	FIP7B8CS	*
IC1	V30-0720-10	TC9137P	
IC2	V30-0721-10	TD6104P	
IC3	V30-0722-10	TD6301AP	
Q1	V03-0945-51	2SC945(A)(Q)	
Q2 ,3	V03-1845-40	2SC1845(E)	
Q4	V03-0945-80	2SC945(A)(Q,P)	
Q5	V03-2003-30	2SC2003(L,K)	
Q6	V03-0945-80	2SC945(A)(Q,P)	
Q7 ,8	V03-0945-80	2SC945(A)(Q,P)	

Ref. No. 参照番号	Parts No. 部品番号	Description 部品名 / 規格	Re- marks 備考
<b>KR-820</b>			
1 1B	NO STOCK	METALLIC FRAME(A)	
2 1A	NO STOCK	METALLIC FRAME(B)	
3 2B	NO STOCK	METALLIC FRAME(C)	
4 2A,2B	NO STOCK	SUB PANEL ASSY	
5 1B	NO STOCK	REAR PANEL	
6 3B	NO STOCK	BOTTOM PLATE	
7 2A	NO STOCK	MOUNTING HARDWARE	
10 1A	A01-0429-03	METALLIC CABINET	
11 3A	A20-3141-03	FRONT PANEL ASSY	* KPU MH
11 3A	A20-3141-03	FRONT PANEL ASSY	* XE UE
11 3A	A20-3142-03	FRONT PANEL ASSY	T
11 3A	A20-3184-03	FRONT PANEL ASSY	* 825
-	B46-0055-30	WARRANTY CARD	P
-	B46-0060-00	WARRANTY CARD	T
-	B46-0061-30	WARRANTY CARD	K 825
-	B46-0062-30	WARRANTY CARD	UH UE
-	B46-0063-13	WARRANTY CARD(MILITARY)	UH
-	B46-0063-13	WARRANTY CARD(MILITARY)	UE
-	B46-0064-20	WARRANTY CARD	X
-	B46-0078-03	WARRANTY CARD	E
-	B50-4312-00	INSTRUCTION MANUAL	K
-	B50-4313-00	INSTRUCTION MANUAL	PU MH
-	B50-4313-00	INSTRUCTION MANUAL	X UE
-	B50-4314-00	INSTRUCTION MANUAL	P MX
-	B50-4315-00	INSTRUCTION MANUAL	M
-	B50-4316-00	INSTRUCTION MANUAL	T
-	B50-4317-00	INSTRUCTION MANUAL	E
-	B50-4350-00	INSTRUCTION MANUAL	825
-	B59-0018-00	SERVICE STATIONS LIST	UH
-	B59-0018-00	SERVICE STATIONS LIST	UE
12 3A	B10-0324-04	FRONT GLASS	
C1	C91-0023-05	CERAMIC 0.01UF AC250V	UM
C1	C91-0023-05	CERAMIC 0.01UF AC250V	HX
C1	C91-0023-05	CERAMIC 0.01UF AC250V	UE
C1	C91-0079-05	CERAMIC 0.01UF AC125V	KP
C1	C91-0079-05	CERAMIC 0.01UF AC125V	TE
C1	C91-0079-05	CERAMIC 0.01UF AC125V	825
13 ,1B	E03-0036-05	AC OUTLET	KUMHXUE 825
13 ,1B	E03-0041-05	AC OUTLET	P
14 1D	E04-0006-05	COAXIAL CONNECTOR	TE
15 1D	E20-0228-05	TERMINAL BOARD	TE
16 1B	E30-0181-05	POWER CORD	KP 825
16 1B	E30-0459-05	POWER CORD	E
16 1B	E30-0545-05	POWER CORD	UMH UE
16 1B	E30-0587-15	POWER CORD	T
16 1B	E30-0649-05	POWER CORD	X
-	H01-3399-04	CARTON BOX	* KPUMHXE UE
-	H01-3400-04	CARTON BOX	T
-	H01-3403-04	CARTON BOX	* 825
-	H10-1607-02	POLYSTYRENE FIXTURE	*
-	H20-0452-04	COVER (450X230X350)	
-	H25-0078-04	BAG (235X315)	
17 3B	J02-0343-05	FOOT	
18 1B	J19-0626-02	ANTENNA HOLDER	
19 1B	J42-0083-05	BUSHING	KPUMHTEUE 825
19 1B	J42-0085-05	BUSHING	X
20 2A	K27-0656-14	KNOB (POWER)	
21 2A	K27-0713-04	KNOB (SP)	

E: Scandinavia & Europe H: Audio Club K: USA P: Canada  
S: South Africa T: England U: PX (Far East, Hawaii)  
UE: AAFES (Europe) X: Australia M: Other Areas  
845: USA (KR-845G) 825: USA (KR-825)

## PARTS LIST

\* New Parts

Parts without Parts No. are not supplied.

Les articles non mentionnés dans le Parts No. ne sont pas fournis.

Teile ohne Parts No. werden nicht geliefert.

Ref. No. 参照番号	Parts No. 部品番号	Description 部品名 / 規格	Re- marks 備考
22	3A	K27-0714-04	KNOB (SELECTOR)
23	2B	K27-0715-04	KNOB (FILTER)
24	2A	K27-0716-04	KNOB (MODE)
25	2A,3A	K27-0717-04	KNOB (PRESET)
26	2A	K27-0718-04	KNOB (UP,DOWN) *
27	2A	K27-0719-04	KNOB (MEMORY) *
28	3A	K29-0463-04	KNOB (TONE,BALANCE) *
29	3A	K29-0464-04	KNOB (VOLUME) *
30	1B	L01-2581-05	POWER TRANS * K 825
30	1B	L01-2586-05	POWER TRANS * TE
30	1B	L01-2587-05	POWER TRANS * UMHX UE
30	1B	L01-2588-05	POWER TRANS * P
31	1B	N08-0128-35	GND TERMINAL
32	2A	N09-0321-05	SCREW (M3X10)
33	1A,2B	N09-0394-05	SCREW
34	2B	N29-0033-05	PUSH RIVET
35	1D	N29-0035-05	PUSH RIVET
36	1A	S31-2050-05	SLIDE SWITCH UMHXE UE
37	2A	S40-1321-05	PUSH SWITCH UMHX UE
37	2A	S40-1322-05	PUSH SWITCH KP 825
37	2A	S40-1323-05	PUSH SWITCH TE
-		T90-0202-05	FM INDOOR ANTENNA
38	1B	T90-0104-15	LOOP ANTENNA
39	1D	T90-0122-05	ANTENNA ADAPTOR
40	1A,2B	V01-1102-20	2SA1102LB *
41	1A,2B	V03-2577-20	2SC2577LB *
42	2A	W09-0023-05	BATTERY
43	2B	X05-2150-12	TUNER PCB ASSY *KP 825
43	2B	X05-2150-82	TUNER PCB ASSY *UMHX UE
43	2B	X05-2152-72	TUNER PCB ASSY * TE
44	1A,2B	X09-1850-11	AUDIO AMP PCB ASSY *KP 825
44	1A,2B	X09-1850-52	AUDIO AMP PCB ASSY * T
44	1A,2B	X09-1850-82	AUDIO AMP PCB ASSY * U MH
44	1A,2B	X09-1852-72	AUDIO AMP PCB ASSY * X UE
45	2A	X14-1310-11	SYNTHESIZER PCB ASSY *KP UM
45	2A	X14-1310-11	SYNTHESIZER PCB ASSY * H UE
45	2A	X14-1310-11	SYNTHESIZER PCB ASSY * X 825
45	2A	X14-1312-72	SYNTHESIZER PCB ASSY * TE
<b>KR-820 TUNER (X05-2150-12)</b>			
D10	B30-0231-05	LED	
C1	-5	C55-1710-38	CERAMIC 0,01UF Z
C6		C24-1710-57	ELECTRO 1UF 50WV
C7		C71-1733-15	CERAMIC 330PF J
C8		C24-1710-57	ELECTRO 1UF 50WV
C9	-11	C91-0085-05	CERAMIC 0,022UF N
C12		C24-1210-67	ELECTRO 10UF 16WV
C13		C24-1710-57	ELECTRO 1UF 50WV
C14		C55-1722-38	CERAMIC 0,022UF Z
C15		C24-1710-57	ELECTRO 1UF 50WV
C16		C55-1722-38	CERAMIC 0,022UF Z
C17		C24-1247-67	ELECTRO 47UF 16WV
C18	19	C24-1210-67	ELECTRO 10UF 16WV
C20		C46-1747-36	MYLAR 0,047UF K
C21		C24-1210-67	ELECTRO 10UF 16WV
C22		C24-1733-47	ELECTRO 0,33UF 50WV
C23		C24-1722-47	ELECTRO 0,22UF 50WV
C24		C24-1747-47	ELECTRO 0,47UF 50WV
C25	26	C46-1715-35	MYLAR 0,015UF J TE

Ref. No. 参照番号	Parts No. 部品番号	Description 部品名 / 規格	Re- marks 備考
C25	26	C46-1722-35	MYLAR 0,022UF J KP 825
C27	28	C46-1739-26	MYLAR 0,0039UF K KPU MH
C27	28	C46-1739-26	MYLAR 0,0039UF K KPU UE 825
C29	30	C24-1047-67	ELECTRO 47UF 10WV
C31	32	C71-1727-15	CERAMIC 270PF J KPU UE
C31	32	C71-1727-15	CERAMIC 270PF J MHX 825
C33	34	C46-1727-26	MYLAR 0,0027UF K KPU UE
C33	34	C46-1727-26	MYLAR 0,0027UF K MHX 825
C35	36	C24-1210-67	ELECTRO 10UF 16WV
C37		C47-1715-25	POLYSTY 1500PF J
C39		C55-1710-38	CERAMIC 0,01UF Z
C40		C52-1710-26	CERAMIC 0,001UF K
C41		C55-1747-38	CERAMIC 0,047UF Z
C42	43	C55-1722-38	CERAMIC 0,022UF Z
C44		C24-1210-67	ELECTRO 10UF 16WV
C45		C46-1722-36	MYLAR 0,022UF K
C46		C46-1710-26	MYLAR 0,001UF K
C47		C24-1210-77	ELECTRO 100UF 16WV
C48		C46-1710-36	MYLAR 0,01UF K
C49		C24-1747-47	ELECTRO 0,47UF 50WV
C50		C55-1747-38	CERAMIC 0,047UF Z
C51		C24-1747-47	ELECTRO 0,47UF 50WV
C52		C24-6547-57	ELECTRO 4,7UF 35WV
C53		C55-1710-38	CERAMIC 0,01UF Z
C54		C47-1739-15	POLYSTY 390PF J
C55		C91-0085-05	CERAMIC 0,022UF N
C56		C46-1733-36	MYLAR 0,033UF K
C57		C46-1722-26	MYLAR 0,0022UF K
C58		C46-1722-36	MYLAR 0,022UF K
C60		C24-1410-77	ELECTRO 100UF 25WV
C72	73	C46-1768-25	MYLAR 0,0068UF J UMHX UE
C74	75	C46-1715-35	MYLAR 0,015UF J UMHX UE
C101	102	C71-1710-15	CERAMIC 100PF J KPU UE
C101	102	C71-1710-15	CERAMIC 100PF J MHX 825
C103	104	C25-6533-57	LL-ELEC 3,3UF 35WV
C105	106	C52-1722-26	CERAMIC 0,0022UF K
C107	108	C24-1010-77	ELECTRO 100UF 10WV
C109	110	C46-1733-25	MYLAR 0,0033UF J
C111	112	C46-1712-35	MYLAR 0,012UF J
C113	114	C25-6533-57	LL-ELEC 3,3UF 35WV
C121	122	C71-1739-05	CERAMIC 39PF J TE
C123	124	C24-1210-77	ELECTRO 100UF 16WV
C126		C52-1756-16	CERAMIC 560PF K
C127		C24-1710-57	ELECTRO 1UF 50WV
C128		C52-1756-16	CERAMIC 560PF K
C129		C24-1710-57	ELECTRO 1UF 50WV
C130		C52-1756-16	CERAMIC 560PF K
C131		C24-1710-57	ELECTRO 1UF 50WV
C132-135		C52-1733-16	CERAMIC 330PF K
C136		C24-1010-77	ELECTRO 100UF 10WV
C137		C52-1710-26	CERAMIC 0,001UF K
C138		C24-1010-77	ELECTRO 100UF 10WV
C139		C24-1710-57	ELECTRO 1UF 50WV
C141	142	C71-1718-15	CERAMIC 180PF J TE
C143	144	C55-1722-38	CERAMIC 0,022UF Z TE
TC1	2	C05-0303-05	TRIMMER CAPACITOR
101	1D	E06-0510-05	DIN CONNECTOR TE
102	2B	E13-0436-05	PHONO JACK
103	2B	E13-0620-05	PHONO JACK
104	1B	E20-0438-05	TERMINAL BOARD KPU UE
104	1B	E20-0438-05	TERMINAL BOARD MHX 825

E: Scandinavia & Europe H: Audio Club K: USA P: Canada

S: South Africa T: England U: PX (Far East, Hawaii)

UE: AAFES (Europe) X: Australia M: Other Areas

825: USA (KR-825)



PARTS LIST

\* New Parts

Parts without Parts No. are not supplied.

Les articles non mentionnés dans le Parts No. ne sont pas fournis.

Teile ohne Parts No. werden nicht geliefert.

Ref. No. 参照番号	Parts No. 部品番号	Description 部品名 / 規格	Re- marks 備考	Ref. No. 参照番号	Parts No. 部品番号	Description 部品名 / 規格	Re- marks 備考
CF1 ,2	L72-0161-05	CERAMIC FILTER	KPU UE	C5 ,6	C71-1727-15	CERAMIC 270PF J	
CF1 ,2	L72-0161-05	CERAMIC FILTER	MHX 825	C7 ,8	C25-1722-57	LL-ELEC 2,2UF 50WV	
CF1 ,2	L79-0159-05	CERAMIC FILTER KIT	* TE	C9 ,10	C71-1710-15	CERAMIC 100PF J	E
CF3	L72-0099-05	CERAMIC FILTER		C11 ,12	C46-1747-26	MYLAR 0,0047UF K	
CF4	L72-0096-05	CERAMIC FILTER		C13 ,14	C24-1047-67	ELECTRO 47UF 10WV	
L1	L39-0089-05	COIL		C15 ,16	C71-1722-05	CERAMIC 22PF J	KPUM UE
L2	L30-0373-05	IFT		C15 ,16	C71-1722-05	CERAMIC 22PF J	HXT 825
L3	L30-0374-05	IFT		C15 ,16	C71-1727-05	CERAMIC 27PF J	E
L4	L79-0109-05	FILTER	TE	C17 ,18	C24-1410-67	ELECTRO 10UF 25WV	
L5 ,6	L79-0141-05	FILTER	TE	C19 ,20	C24-1733-77	ELECTRO 330UF 50WV	
L7	L31-0472-05	RF COIL	*	C21 ,22	C71-1782-05	CERAMIC 82PF J	
L10	L32-0267-05	OSCILLATING COIL		C23 ,24	C71-1710-15	CERAMIC 100PF J	E
L12	L30-0362-05	IFT		C23 ,24	C71-1782-05	CERAMIC 82PF J	KPUM UE
R11	R42-1256-05	FL-PROOF RD56	J 2E	C23 ,24	C71-1782-05	CERAMIC 82PF J	HXT 825
R23	R42-1210-15	FL-PROOF RD100	J 2E	C25 ,26	C46-1733-36	MYLAR 0,033UF K	
R43	R42-1256-05	FL-PROOF RD56	J 2E	C27 ,28	C46-1747-36	MYLAR 0,047UF K	
R71	R42-1256-05	FL-PROOF RD56	J 2E	C29 ,30	C46-1718-36	MYLAR 0,018UF K	
R72	R47-5510-05	FL-PROOF RS10	J 3D	C31 ,32	C25-1710-47	LL-ELEC 0,1UF 50WV	
R73 ,74	R47-5556-15	FL-PROOF RS560	J 3D	C33 ,34	C47-1722-15	POLYSTY 220PF J	
R139,140	R47-5412-25	FL-PROOF RS1,2K	J 3A	C35 ,36	C47-1710-26	POLYSTY 0,001UF 50WV	
R141,142	R42-1247-95	FL-PROOF RD4,7	J 2E	C37 ,38	C46-1710-36	MYLAR 0,01UF K	
R143,144	R42-1222-15	FL-PROOF RD220	J 2E	C39 ,40	C46-1747-36	MYLAR 0,047UF K	
R145,146	R92-0166-05	METAL-PLATE0,22	K 3D	C41 ,42	C90-0468-05	ELECTRO 6800UF 42WV	
R158	R42-1247-05	FL-PROOF RD47	J 2E	C45	C24-1710-77	ELECTRO 100UF 50WV	
R159	R42-1239-15	FL-PROOF RD390	J 2E	C46	C24-1822-06	ELECTRO 22UF 63WV	
R162	R42-1233-05	FL-PROOF RD33	J 2E	C47 ,48	C54-2710-39	CERAMIC 0,01UF P	
VR1	R12-2302-05	TRIMMING POT.		C49 -52	C52-1747-26	CERAMIC 0,0047UF K	E
VR2	R12-1304-05	TRIMMING POT.	KPUMHX UE 825	C53 ,54	C26-1710-57	NP-ELEC 1UF 50WV	
VR2	R12-2302-05	TRIMMING POT.	TE	C55	C24-1422-67	ELECTRO 22UF 25WV	
S1	S42-3052-05	PUSH SWITCH	*	202 ,2A	E11-0098-05	PHONE JACK	*
S2	S42-2063-05	PUSH SWITCH	*	203 18	E20-0816-05	TERMINAL BOARD	*
S3	S31-2072-05	SLIDE SWITCH	*UMHX UE	F1	F05-3022-05	FUSE	UMHX UE
D1	V11-7702-60	KV1236 (Z2)		F1	F05-3122-05	FUSE	E
D2	V11-0246-05	WZ-081		F1	F06-3023-05	FUSE	KP 825
D3 ,4	V11-0271-05	1S2076		F2	F05-1521-05	FUSE	UMHX UE
D5	V11-4103-60	XZ-051		F2	F05-1622-05	FUSE	TE
D7 ,8	V11-0254-05	YZ-140		-	J13-0055-05	FUSE HOLDER	
D9	V11-5100-10	STV-4H(W)		L1 ,2	L39-0085-05	COIL	
D11 -14	V11-0271-05	1S2076		R27 ,28	R42-1218-25	FL-PROOF RD1,8K J 2E	
D16 ,17	V11-0271-05	1S2076	TE	R37 -40	R42-1210-15	FL-PROOF RD100 J 2E	
IC1	V30-0497-10	LA1231N		R47 ,48	R42-1222-15	FL-PROOF RD220 J 2E	
IC2	V30-0240-05	LA3350S		R49 ,50	R92-0166-05	METAL-PLATE0,22 K 3D	
IC3	V30-0519-10	LA1245		R51 ,52	R42-1247-95	FL-PROOF RD4,7 J 2E	
IC4	V30-0737-10	LA6458S	*	R53 ,54	R47-5512-05	FL-PROOF RS12 J 3D	
Q1	V03-1923-00	2SC1923		R55 ,56	R47-5410-05	FL-PROOF RS10 J 3A	
Q2 ,3	V03-0945-80	2SC945(A)(Q,P)		R57 ,58	R47-5510-05	FL-PROOF RS10 J 3D	
Q5 -7	V01-0733-40	2SA733(A)(Q,P)		R59 ,60	R42-1268-05	FL-PROOF RD68 J 2E	
Q8	V03-0945-80	2SC945(A)(Q,P)		R92	R42-1247-25	FL-PROOF RD4,7K J 2E	
Q9 ,10	V02-0774-10	2SB774(Q,R,S)		R97	R47-5439-25	FL-PROOF RS3,9K J 3A	
Q15	V03-2003-30	2SC2003(L,K)		R98	R92-0173-05	RC 2,2M M 2H	KP 825
Q16	V01-0954-10	2SA954(L,K)		R98	R92-0173-05	RC 2,2M M 2H	
Q17	V03-0945-80	2SC945(A)(Q,P)	TE	R99 ,100	R47-5456-15	FL-PROOF RS560 J 3A	
Q18	V03-0945-80	2SC945(A)(Q,P)		R103	R42-1239-15	FL-PROOF RD390 J 2E	
Q19	V04-0330-00	2SD330		R104	R42-1247-05	FL-PROOF RD47 J 2E	
Q20 ,21	V03-0945-80	2SC945(A)(Q,P)		R107	R42-1247-95	FL-PROOF RD4,7 J 2E	
-	W02-0093-05	FM FRONT END	*KPUMHX UE 825	VR1	R01-5038-05	POTENTIOMETER	*
-	W02-0094-05	FM FRONT END	* TE	VR2	R06-5068-05	POTENTIOMETER	*
<b>KR-820 AUDIO (X09-1850-11)</b>				VR3 ,4	R06-4057-05	POTENTIOMETER	*
C1 ,2	C46-1747-26	MYLAR 0,0047UF K		S1	S42-2076-05	PUSH SWITCH	*
C3 ,4	C46-1718-36	MYLAR 0,018UF K		S2	S42-2070-05	PUSH SWITCH	*

K: USA P: Canada T: England E: Scandinavia & Europe

X: Australia H: Audio club U: PX (Far East, Hawaii)

UE: AAFES (Europe) M: Other Areas S: South Africa

825: USA (KR-825)

## PARTS LIST

\* New Parts

Parts without Parts No. are not supplied.

Les articles non mentionnés dans le Parts No. ne sont pas fournis.

Teile ohne Parts No. werden nicht geliefert.

Ref. No. 参照番号	Parts No. 部品番号	Description 部品名 / 規格	Re- marks 備考
D1 /2 D3 /4 D19 D21 -24 D25	V11-4111-30 V11-0271-05 V11-5100-10 V11-2400-40 V11-0295-05	EZ-148 1S2076 STV-4H(W) GP20DL W06B	
D26 Q1 -4 Q5 -12 Q13 /14 Q15	V11-0273-05 V01-0992-10 V03-1845-10 V01-0992-10 V03-2003-30	1S2076A 2SA992(F,E) 2SC1845(F,E) 2SA992(F,E) 2SC2003(L,K)	
Q16 Q23	V01-0954-10 V03-0945-80	2SA954(L,K) 2SC945(A)(Q,P)	
<b>KR-820 SYNTHESIZER (X14-1310-11)</b>			
D36 /37 D38	B30-0231-05 B30-0230-05	LED LED	
C1 /2 C5 C6 C7 C8	C58-1733-05 C24-1710-57 C55-1722-38 C91-0085-05 C26-1722-47	CERAMIC 33PF J ELECTRO 1UF 50WV CERAMIC 0.022UF Z CERAMIC 0.022UF N NP-ELEC 0.22UF 50WV	
C9 C10 C11 C12 C13 /14	C91-0085-05 C55-1710-38 C55-1722-38 C91-0083-05 C91-0085-05	CERAMIC 0.022UF N CERAMIC 0.01UF Z CERAMIC 0.022UF Z CERAMIC 0.01UF N CERAMIC 0.022UF N	
C15 C16 /17 C18 C19 C20	C24-1047-67 C91-0083-05 C24-1210-67 C25-1222-67 C91-0085-05	ELECTRO 47UF 10WV CERAMIC 0.01UF N ELECTRO 10UF 16WV LL-ELEC 22UF 16WV CERAMIC 0.022UF N	
C21 C22 C23 C24 C26 /27	C24-0822-77 C24-1047-67 C24-1233-67 C55-1722-38 C24-1247-67	ELECTRO 220UF 6.3WV ELECTRO 47UF 10WV ELECTRO 33UF 16WV CERAMIC 0.022UF Z ELECTRO 47UF 16WV	
C28 C30 C31 C32 C33 -35	C24-1047-67 C55-1722-38 C55-1747-38 C55-1722-38 C52-1747-26	ELECTRO 47UF 10WV CERAMIC 0.022UF Z CERAMIC 0.047UF Z CERAMIC 0.022UF Z CERAMIC 0.0047UF K	
C36 -40 C41 C42 /43 C44	C55-1710-38 C55-1710-38 C55-1710-38 C24-1210-67	CERAMIC 0.01UF Z CERAMIC 0.01UF Z CERAMIC 0.01UF Z ELECTRO 10UF 16WV	
XT1	L77-0578-05	CRYSTAL RESONATOR	
CP1 CP2 R32	R90-0193-05 R90-0192-05 R42-1210-15	MULTIPLE COMPONENTS MULTIPLE COMPONENTS FL-PROOF RD100 J 2E	* * TE
S1 -9 S10 /11 S12	S40-1053-05 S42-2064-05 S31-2072-05	PUSH SWITCH PUSH SWITCH SLIDE SWITCH	* * 825
D24 -27 D28 D29 /30 D39 D40	V11-0271-05 V11-4104-20 V11-0271-05 V11-0271-05 V11-0271-05	1S2076 XZ-064 1S2076 1S2076 1S2076	
FIP1 IC1 IC2 IC3	V40-4401-10 V30-0720-10 V30-0721-10 V30-0722-10	FIP7B8CS TC9137P TD6104P TD6301AP	*

Ref. No. 参照番号	Parts No. 部品番号	Description 部品名 / 規格	Re- marks 備考
Q1 Q2 /3 Q4 Q5 Q6 Q7 /8	V03-0945-51 V03-1845-40 V03-0945-80 V03-2003-30 V03-0945-80 V03-0945-80	2SC945(A)(Q) 2SC1845(E) 2SC945(A)(Q,P) 2SC2003(L,K) 2SC945(A)(Q,P) 2SC945(A)(Q,P)	
<b>FM FRONT END (W02-0093-05)</b>			
D1 -3 Q1 Q2 Q3, 4	V11-6102-70 V09-0124-10 V03-1923-00 V09-0124-10	SVC211 2SK61 2SC1923 2SK61	
<b>FM FRONT END (W02-0094-05)</b>			
D1 -3 Q1 Q2 Q3, 4	V11-6102-70 V09-0147-10 V03-1923-00 V09-0124-10	SVC211 3SK74 2SC1923 2SK61	

A product of

### TRIO-KENWOOD CORPORATION

Shionogi Shibuya Building, 17-5, 2-chome Shibuya, Shibuya-ku, Tokyo 150 Japan

#### KENWOOD U.S.A. CORPORATION

1315 E Watsoncenter Rd. Carson, California 90745, U.S.A.

75 Seaview Drive, Secaucus, New Jersey 07094, U.S.A.

1141 North Tower Lane, Bensenville, Illinois 60106, U.S.A.

#### TRIO-KENWOOD CANADA INC.

1070 Jayson Court Mississauga, Ontario Canada L4W 2V5

#### TRIO-KENWOOD ELECTRONICS, N.V.

Leuvensesteenweg 504, B-1930 Zaventem, Belgium

#### TRIO-KENWOOD ELECTRONICS, GmbH

Rudolf-Braas-Str. 20, 6056 Heusenstamm, West Germany

#### TRIO-KENWOOD FRANCE S.A.

5, Boulevard Ney, 75018 Paris, France

#### TRIO-KENWOOD SVENSKA AB

Kemistvagen 10A, 183-21 Taby, Sweden

#### TRIO-KENWOOD AG

Unterboesch 6331 Huenenberg/ZUG Switzerland

#### TRIO-KENWOOD (AUSTRALIA) PTY. LTD.

4E Woodcock Place, Lane Cove, N.S.W. 2066, Australia

#### KENWOOD & LEE ELECTRONICS, LTD.

Wang Kee Building, 5th Floor, 34-37, Connaught Road Central, Hong Kong

E: Scandinavia & Europe H: Audio Club K: USA P: Canada

S: South Africa T: England U: PX (Far East, Hawaii)

UF: AAFES (Europe) X: Australia M: Other Areas

825: USA (KR-825)