

KRF-V5450D

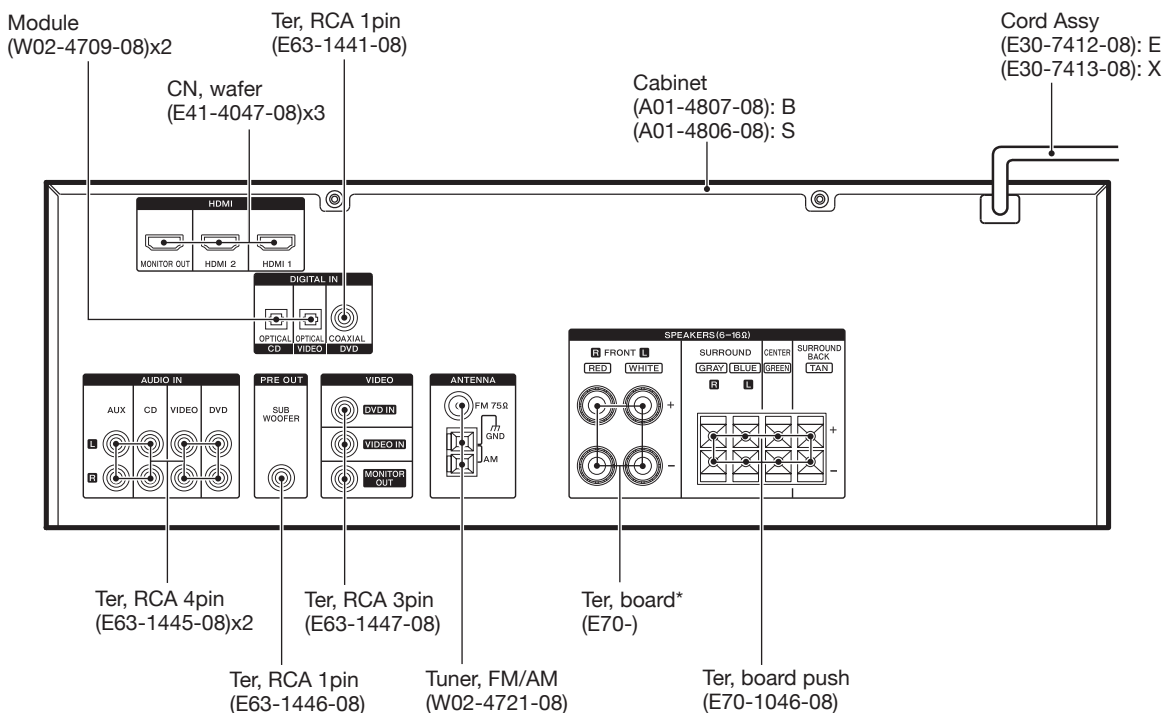
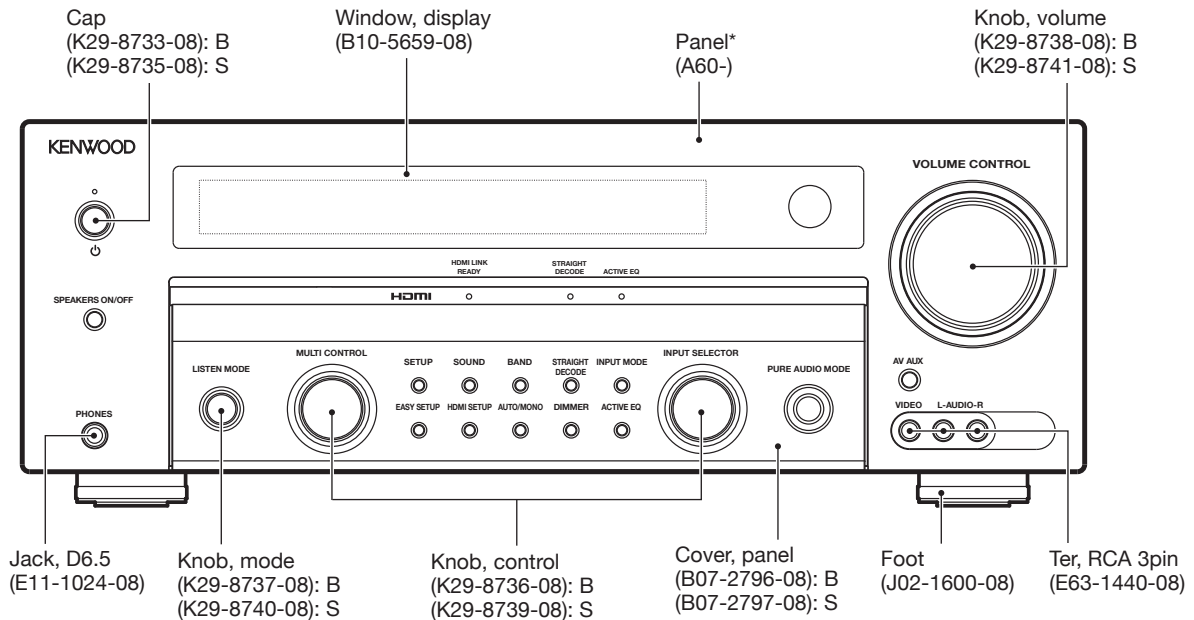
KRF-V6400D/V6400D-S

SERVICE MANUAL

KENWOOD

Kenwood Corporation

© 2009-10 CREATED IN JAPAN
B53-4071-00 (N/J) PDF



E : European market
X : Australian market
B : Black panel
S : Silver panel

Illustration: KRF-V6400D

* Refer to parts list on page 36.

This product uses Lead Free solder.

This product complies with the **RoHS** directive for the European market.

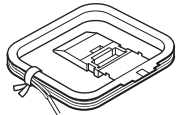


KRF-V5450D/V6400D

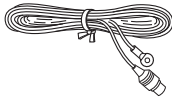
ACCESSORIES / CAUTIONS

Accessories

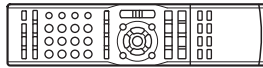
AM loop antenna (1)
(T90-0937-08)



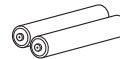
FM indoor antenna (1)
(T90-0938-08)



Remote control unit (1)
RC-R0518
(A70-1752-08)



Batteries (R03) (2)
(-)



* Batteries are attached to the packing material.

Cautions

Information on Disposal of Old Electrical and Electronic Equipment and Batteries (applicable for EU countries that have adopted separate waste collection systems)



Products and batteries with the symbol (crossed-out wheeled bin) cannot be disposed as household waste.

Old electrical and electronic equipment and batteries should be recycled at a facility capable of handling these items and their waste byproducts.



Contact your local authority for details in locating a recycle facility nearest to you. Proper recycling and waste disposal will help conserve resources whilst preventing detrimental effects on our health and the environment.

Pb

Notice: The sign "Pb" below the symbol for batteries indicates that this battery contains lead.

HDMI, the HDMI logo and High-Definition Multimedia Interface are trademarks or registered trademarks of HDMI Licensing, LLC.



Manufactured under license from Dolby Laboratories. Dolby, Pro Logic, and the double-D symbol are trademarks of Dolby Laboratories.



Manufactured under license under U.S. Patent #'s: 5,451,942; 5,956,674; 5,974,380; 5,978,762; 6,226,616; 6,487,535; 7,003,467; 7,212,872 & other U.S. and worldwide patents issued & pending. DTS, DTS Digital Surround, ES, and Neo:6 are registered trademarks and the DTS logos, Symbol and DTS 96/24 are trademarks of DTS, Inc. © 1996-2007 DTS, Inc. All Rights Reserved.



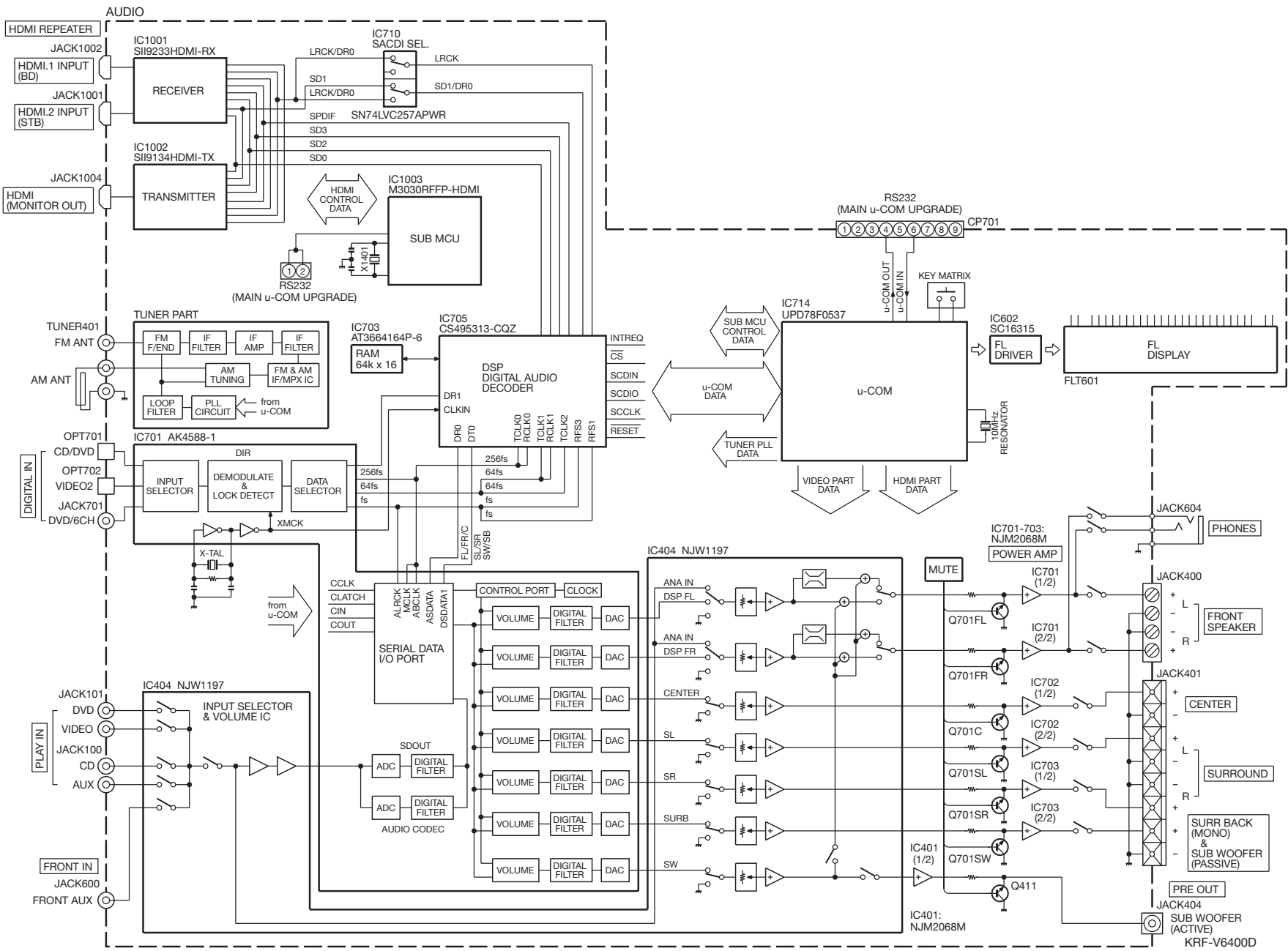
Resetting the unit

If the unit is completely inoperable, the display is not normal or a problem cannot be solved even after checking the list in <Troubleshooting>, it is required to reset the unit.

While holding down [⏻] key on the unit, unplug the power cord and plug it back in.

- Please note that resetting the unit will clear the contents of the memory and return the unit to the state it was in when it left the factory.

RDS

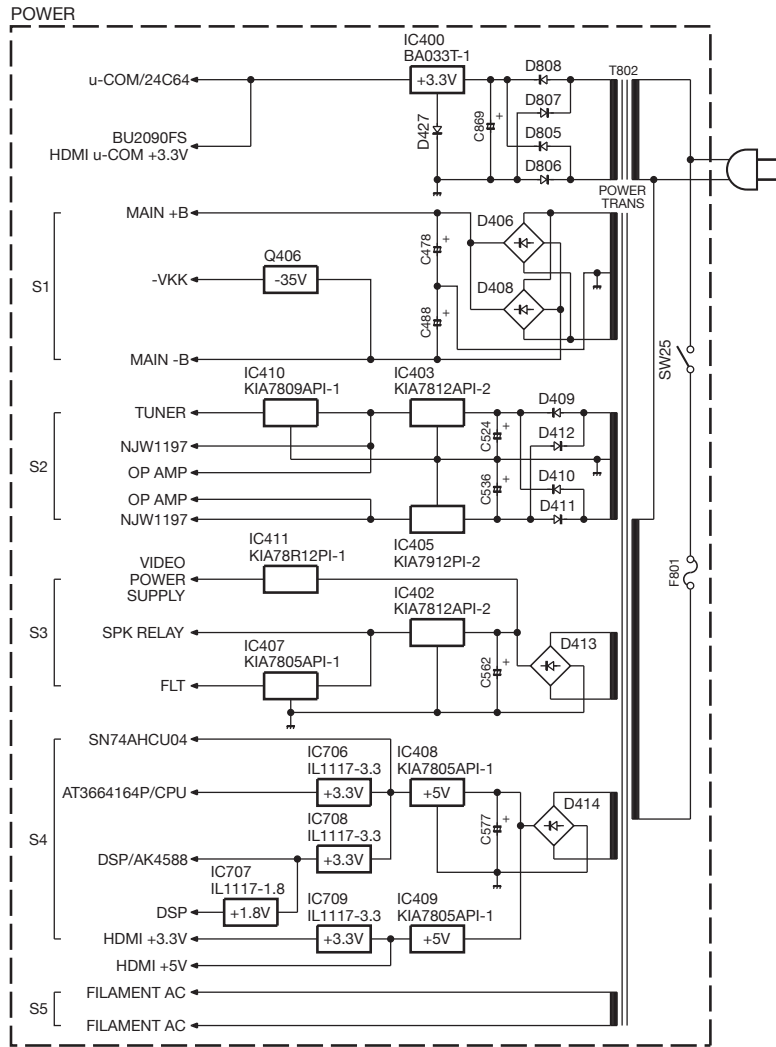
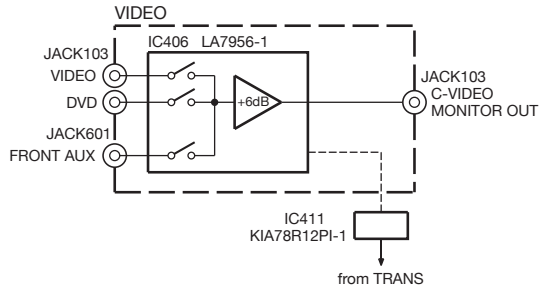


BLOCK DIAGRAM

KRF-V5450D/V6400D

KRF-V5450D/V6400D

BLOCK DIAGRAM / ADJUSTMENT



KRF-V6400D

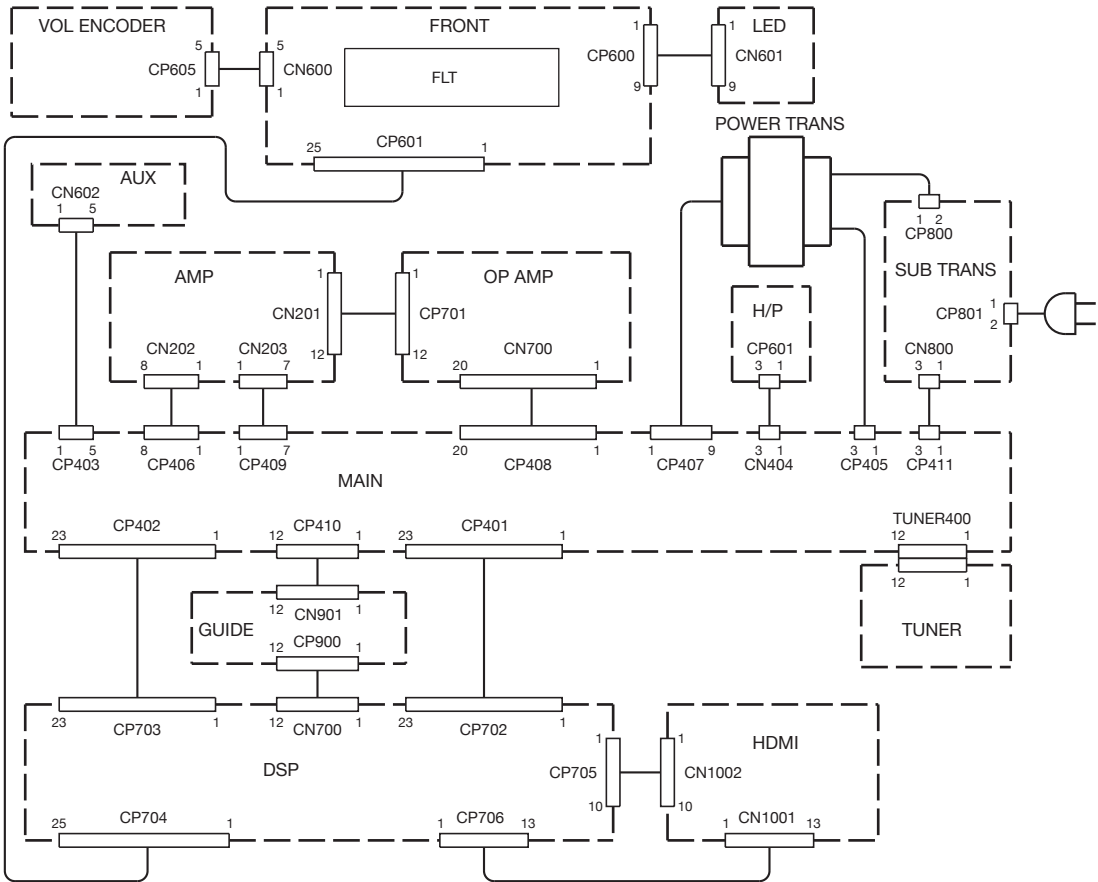
ADJUSTMENT

No.	ITEM	INPUT SETTING	OUTPUT SETTING	RECEIVER SETTING	ALIGNMENT POINT	ALIGNMENT SETTING	FIG.
1	IDLE CURRENT	No signal	FLch: TP201FL 1-3pin FRch: TP201FR 1-3pin SLch: TP201SL 1-3pin SRch: TP201SR 1-3pin Cch: TP201C 1-3pin SWch: TP201SW 1-3pin	Volume: Minimum	VR201FL VR201FR VR201SL VR201SR VR201C VR201SW	4.5mV ±0.5mV	

Adjust every potentiometers 15~20 sec later after tuning on.

KRF-V5450D/V6400D

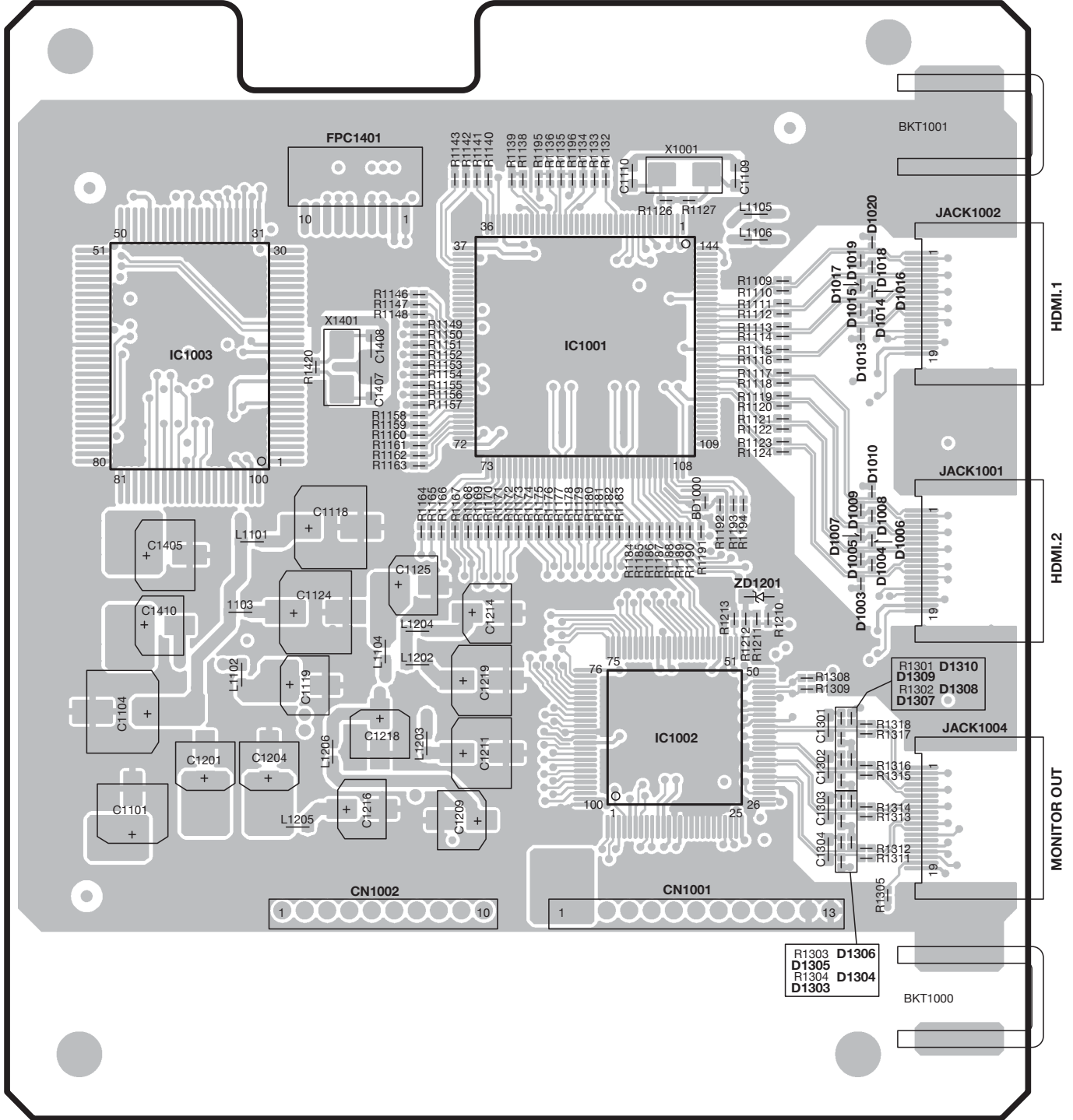
WIRING DIAGRAM



KRF-V6400D

KRF-V5450D/V6400D PC BOARD

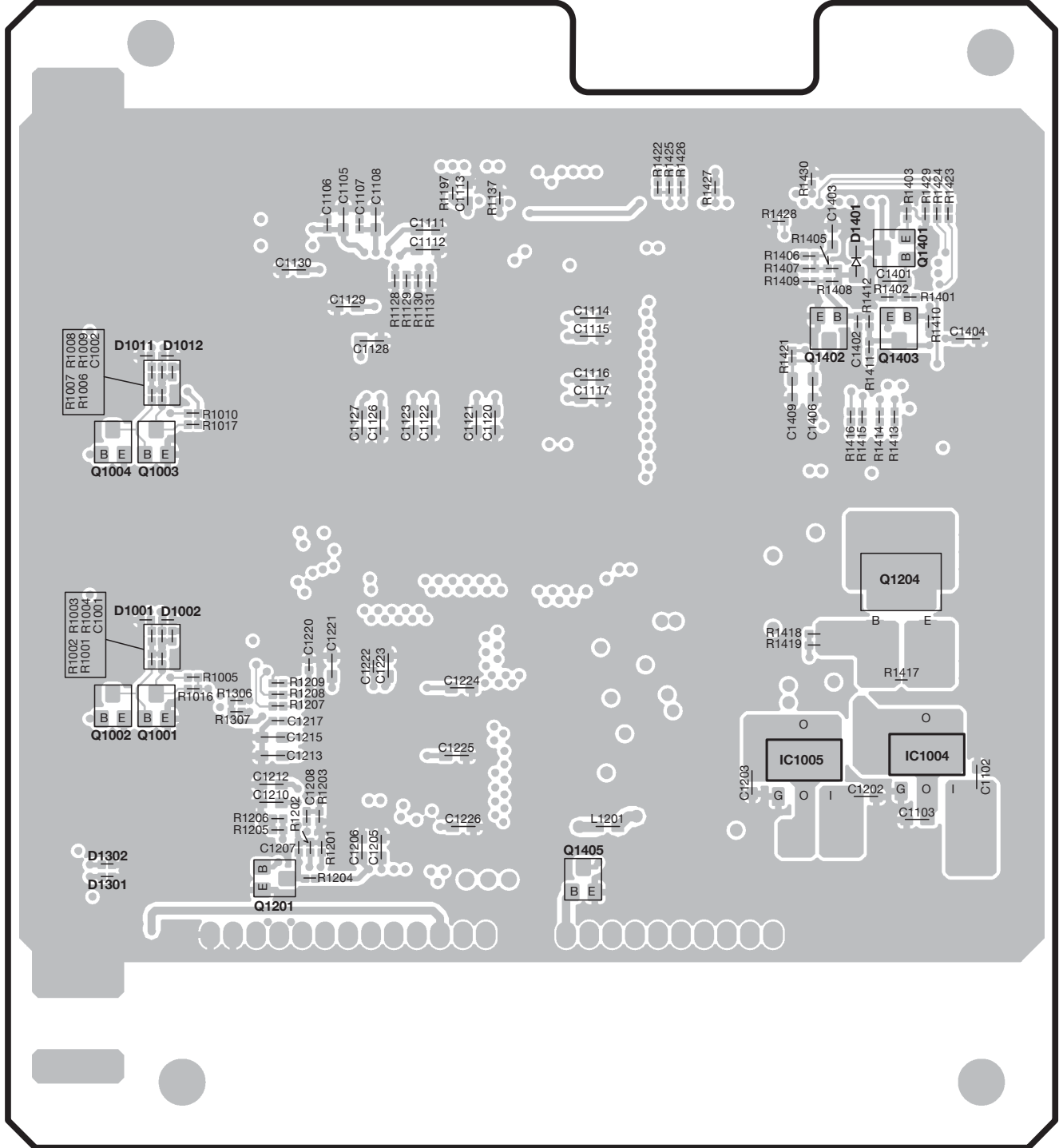
HDMI (SIDE A)



Refer to the schematic diagram for the values of resistors and capacitors.

PC BOARD

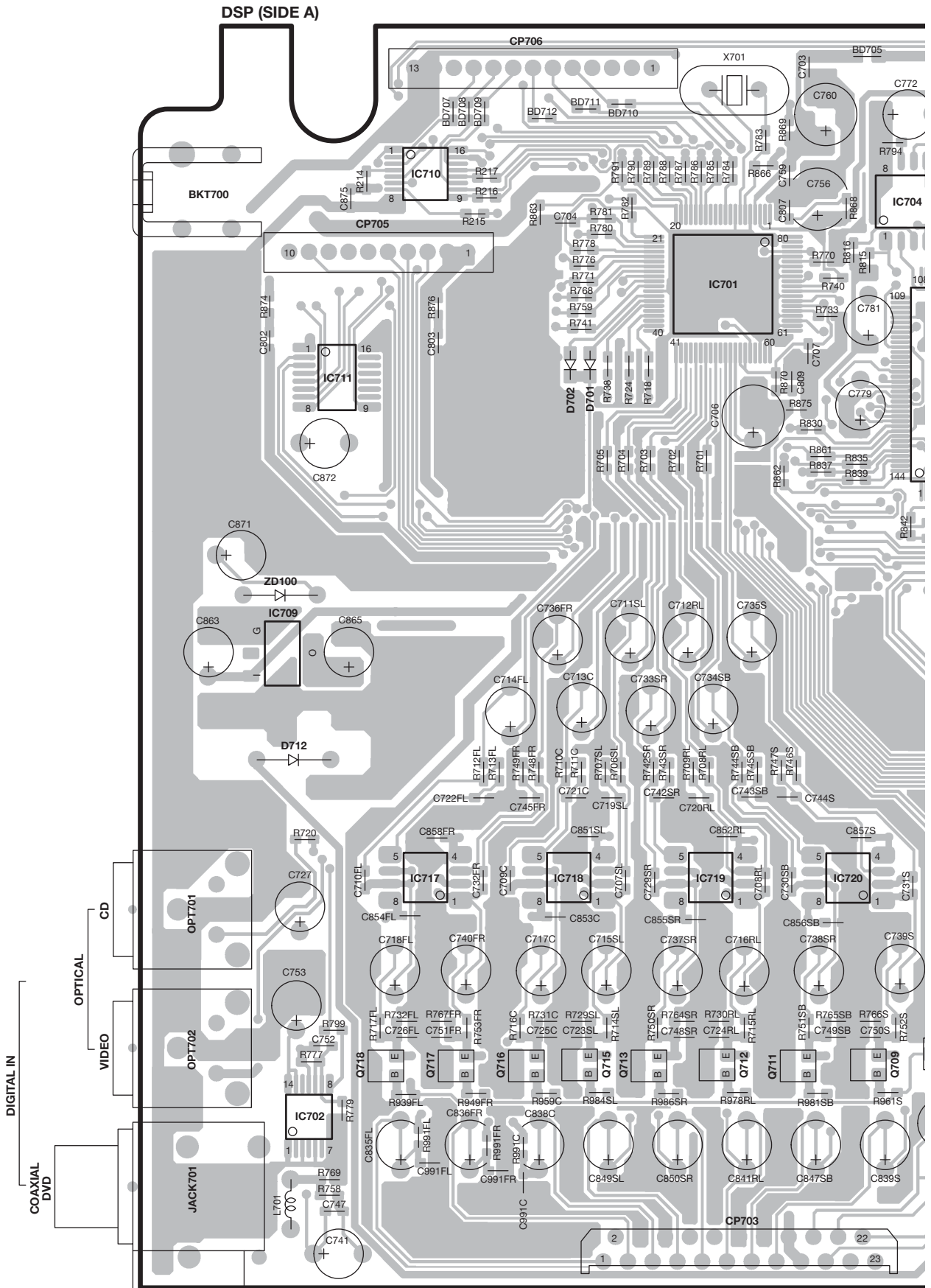
HDMI (SIDE B)

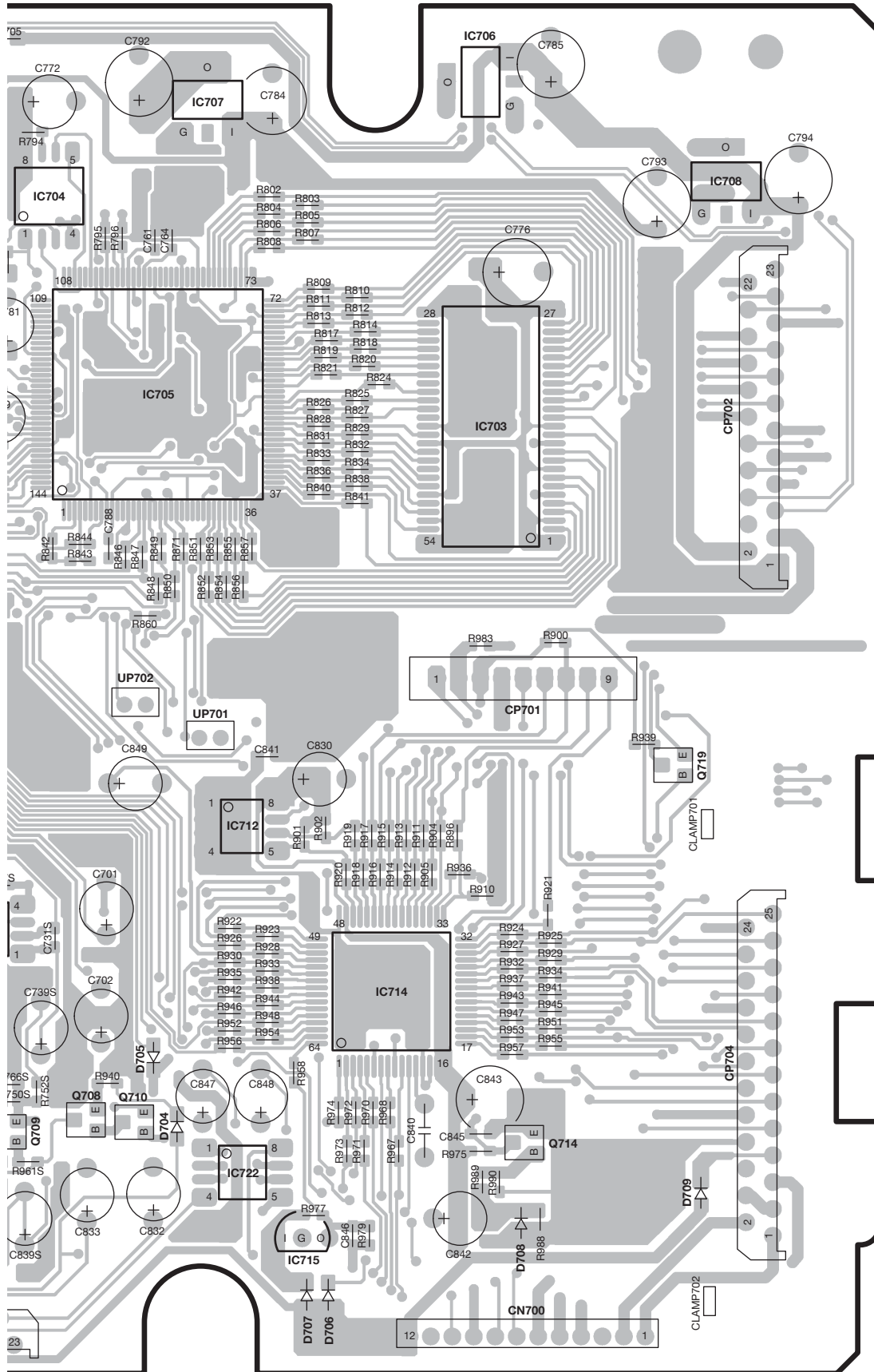


Refer to the schematic diagram for the values of resistors and capacitors.

K L M N O
1
2
3
4
5
6
7
8

KRF-V5450D/V6400D PC BOARD



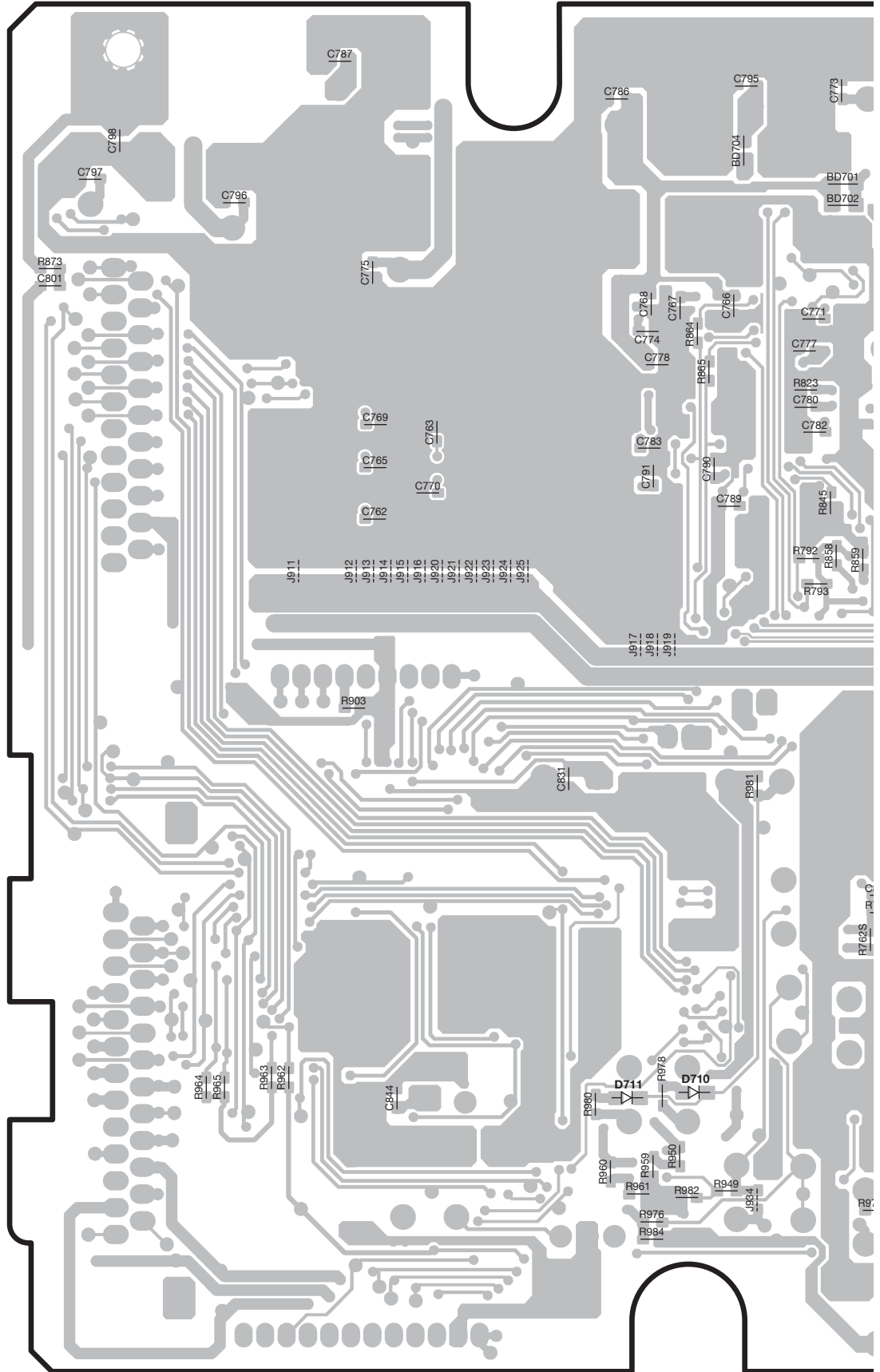


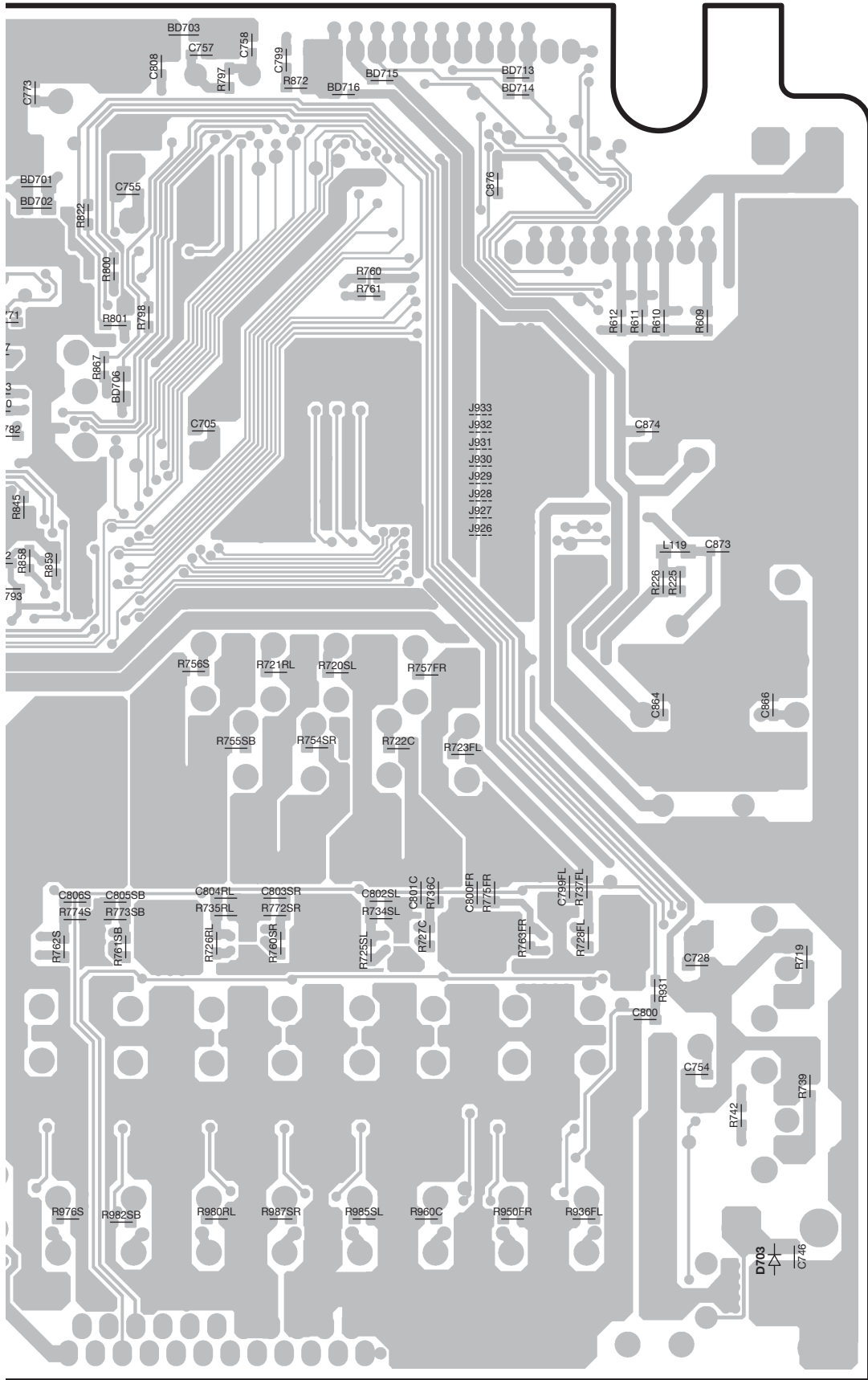
Refer to the schematic diagram for the values of resistors and capacitors.

KRF-V5450D/V6400D

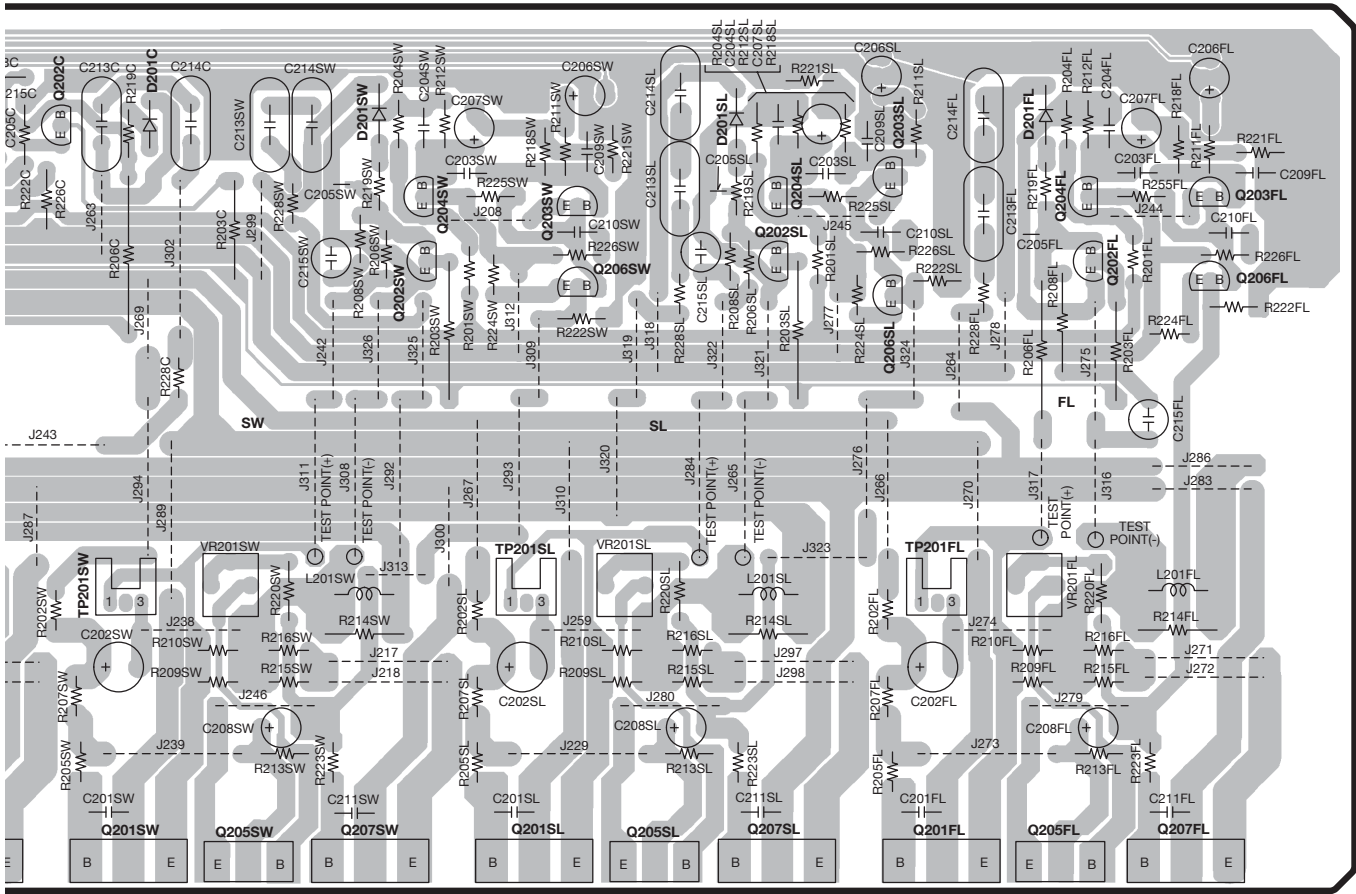
PC BOARD

DSP (SIDE B)





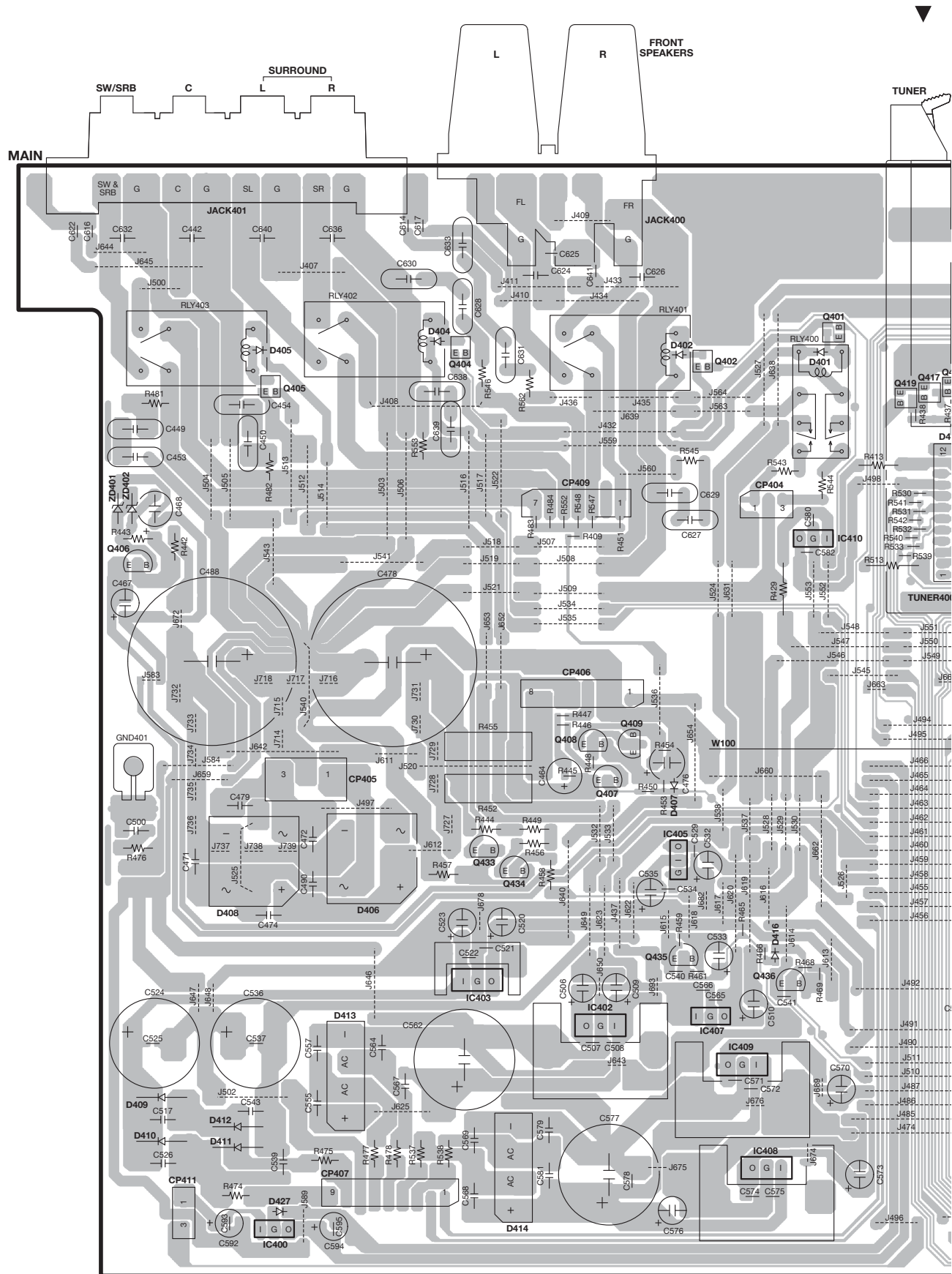
Refer to the schematic diagram for the values of resistors and capacitors.

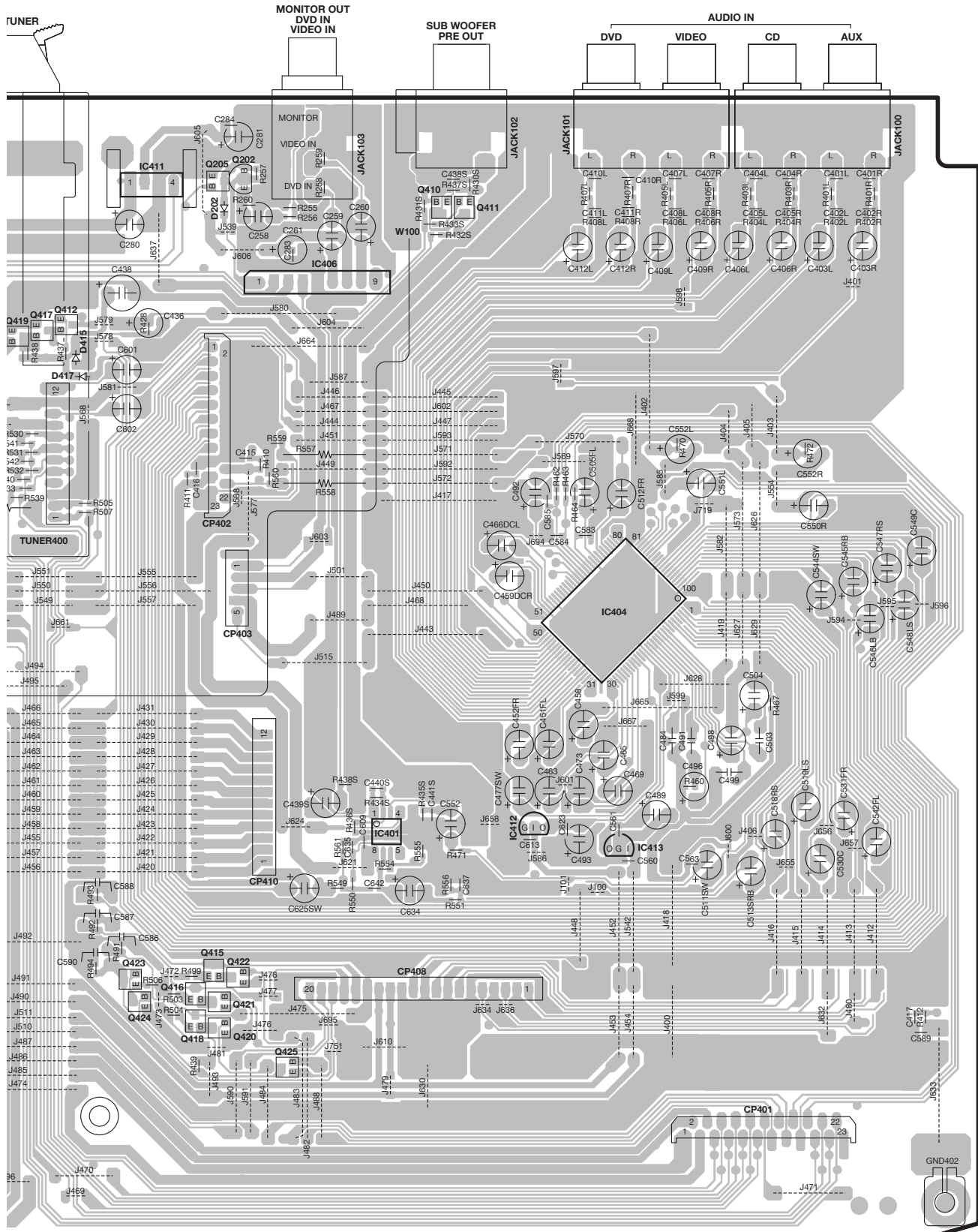


Refer to the schematic diagram for the values of resistors and capacitors.

KRF-V5450D/V6400D

PC BOARD



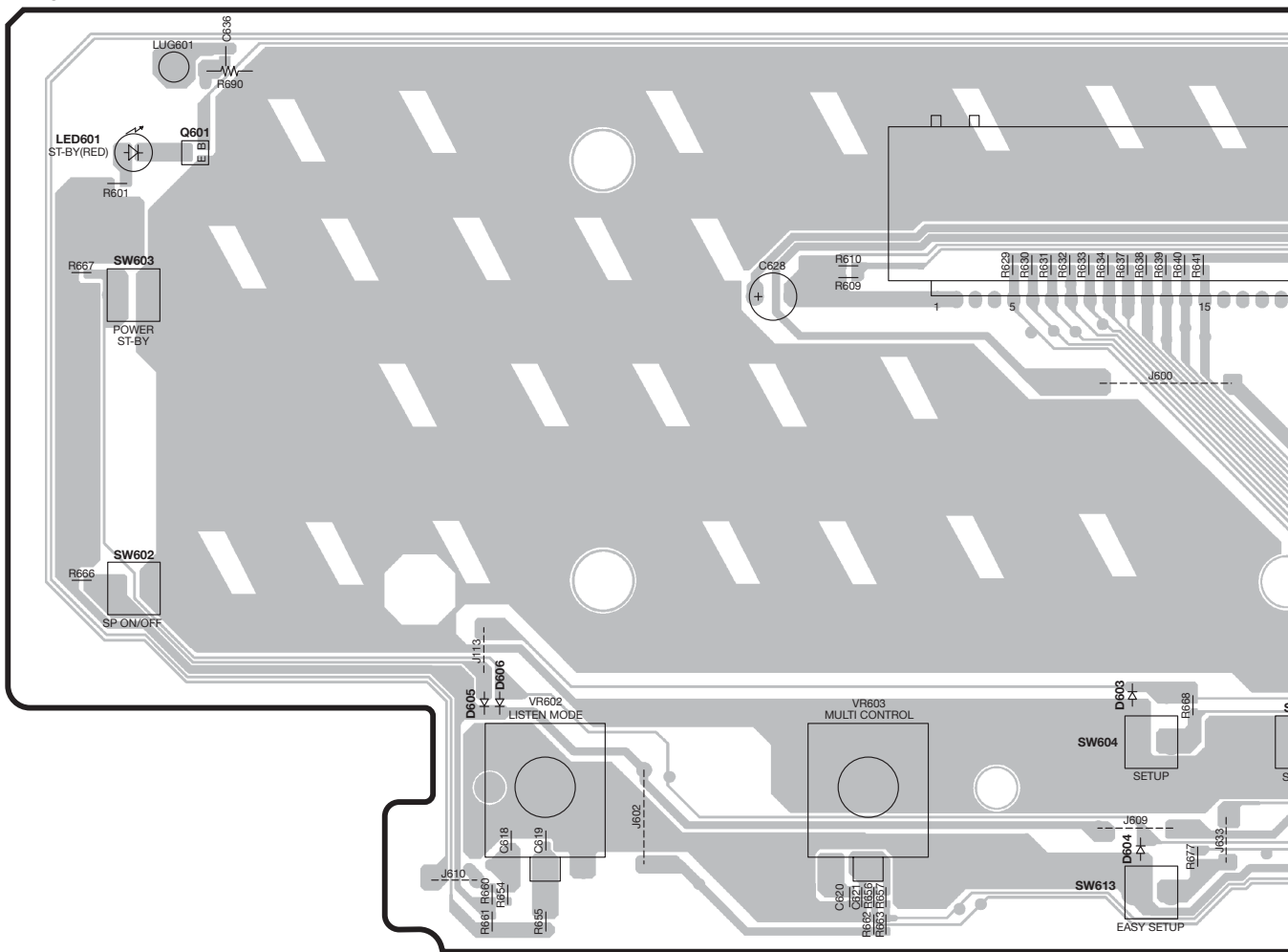


Refer to the schematic diagram for the values of resistors and capacitors.

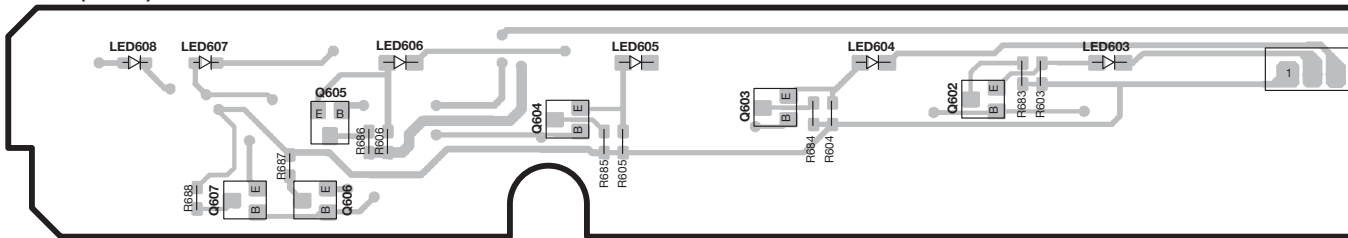
KRF-V5450D/V6400D

PC BOARD

FRONT



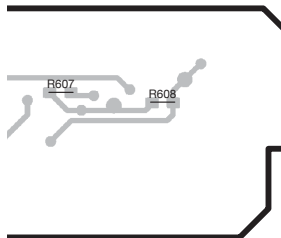
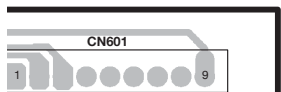
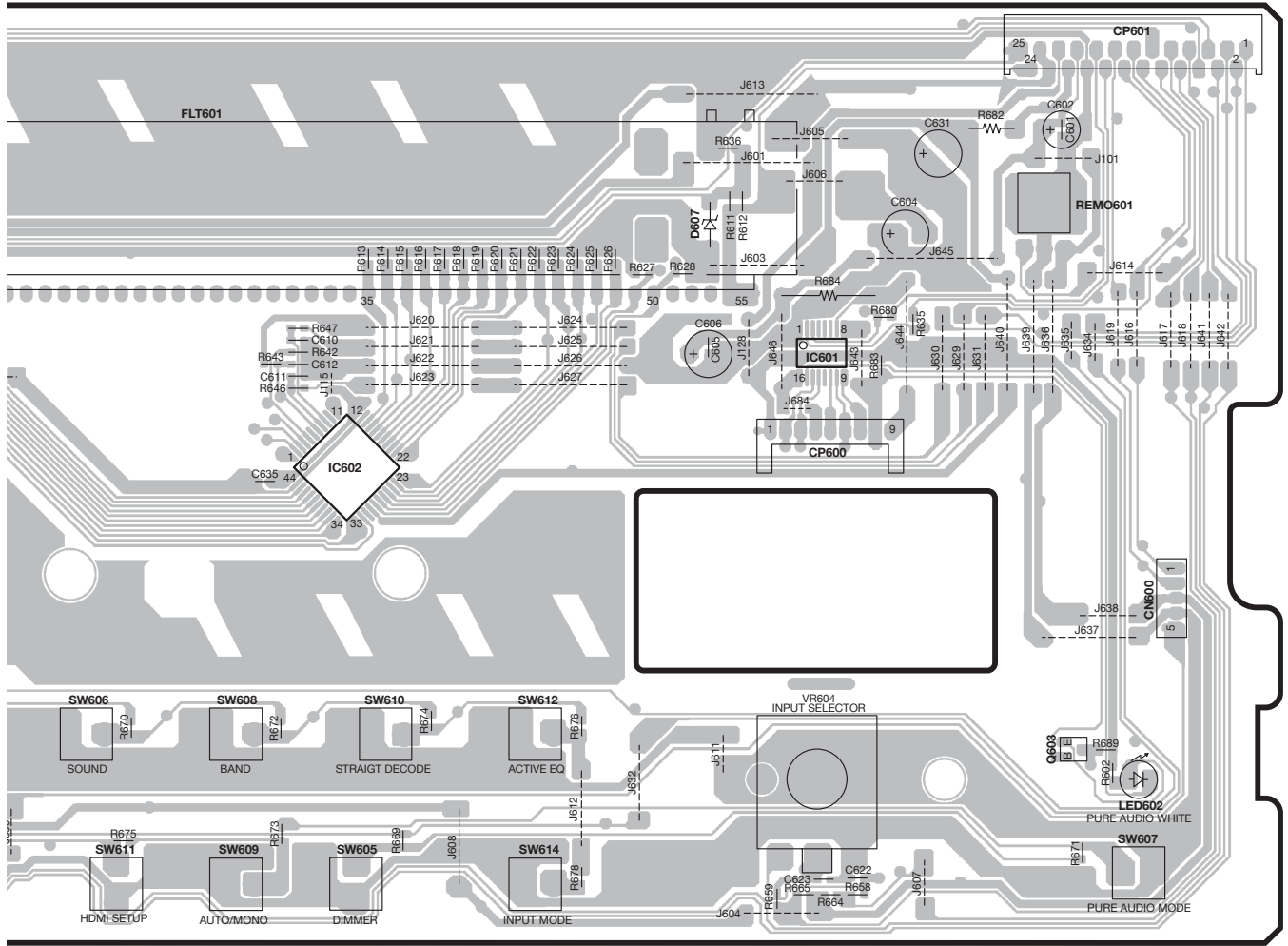
LED (SIDE A)



LED (SIDE B)



KRF-V5450D/V6400D

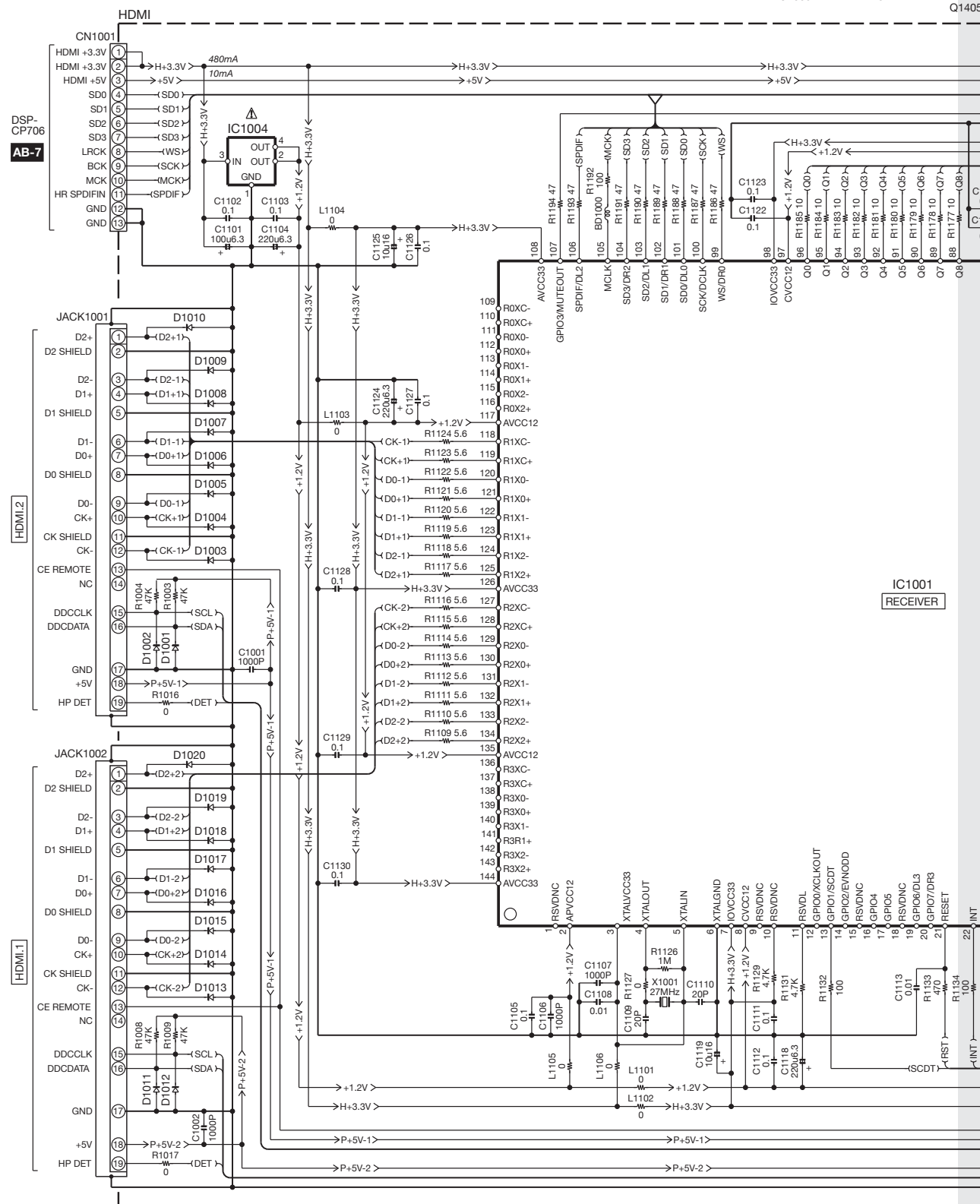
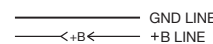


Refer to the schematic diagram for the values of resistors and capacitors.

KRF-V5450D/V6400D

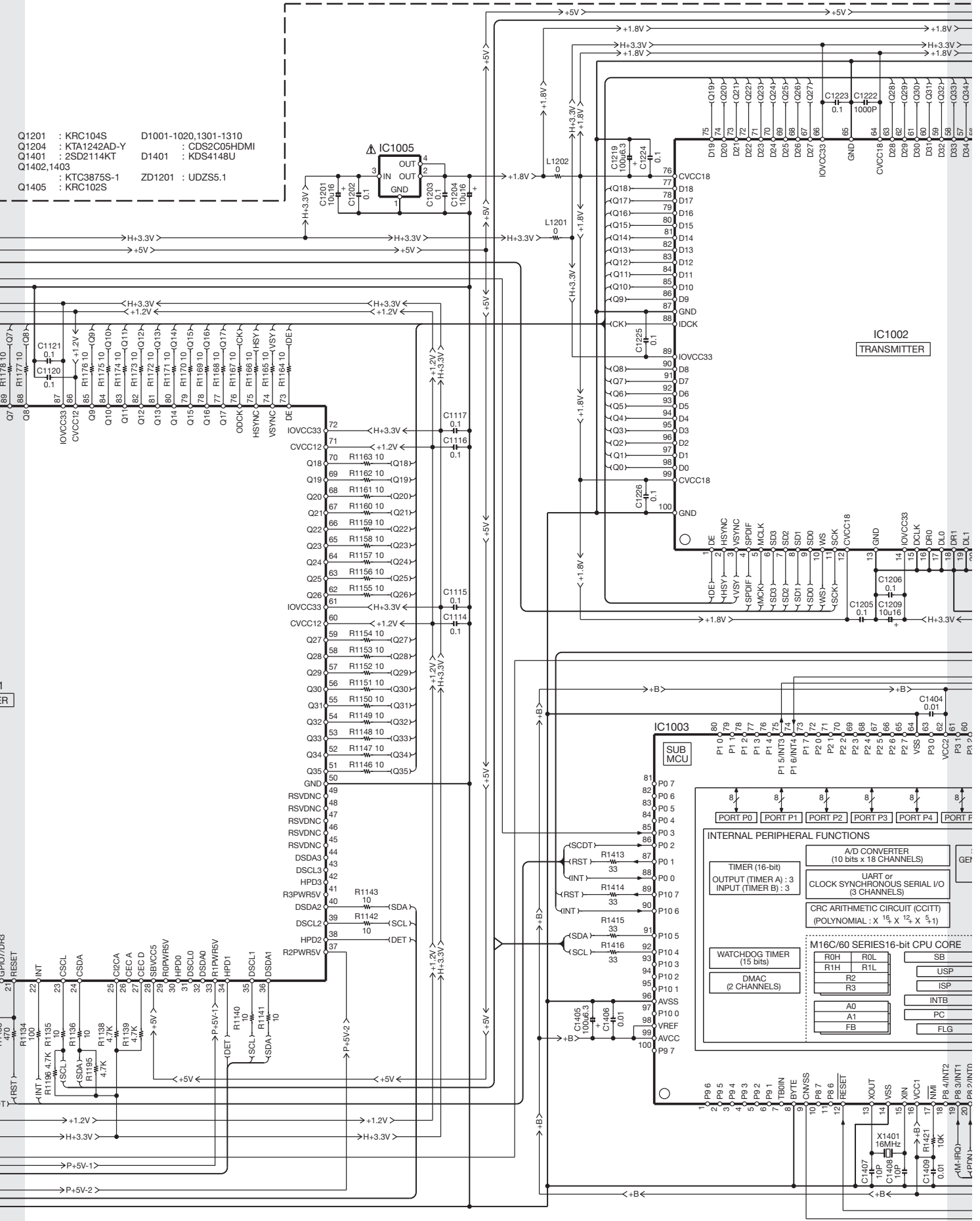
1
2
3
4
5
6
7

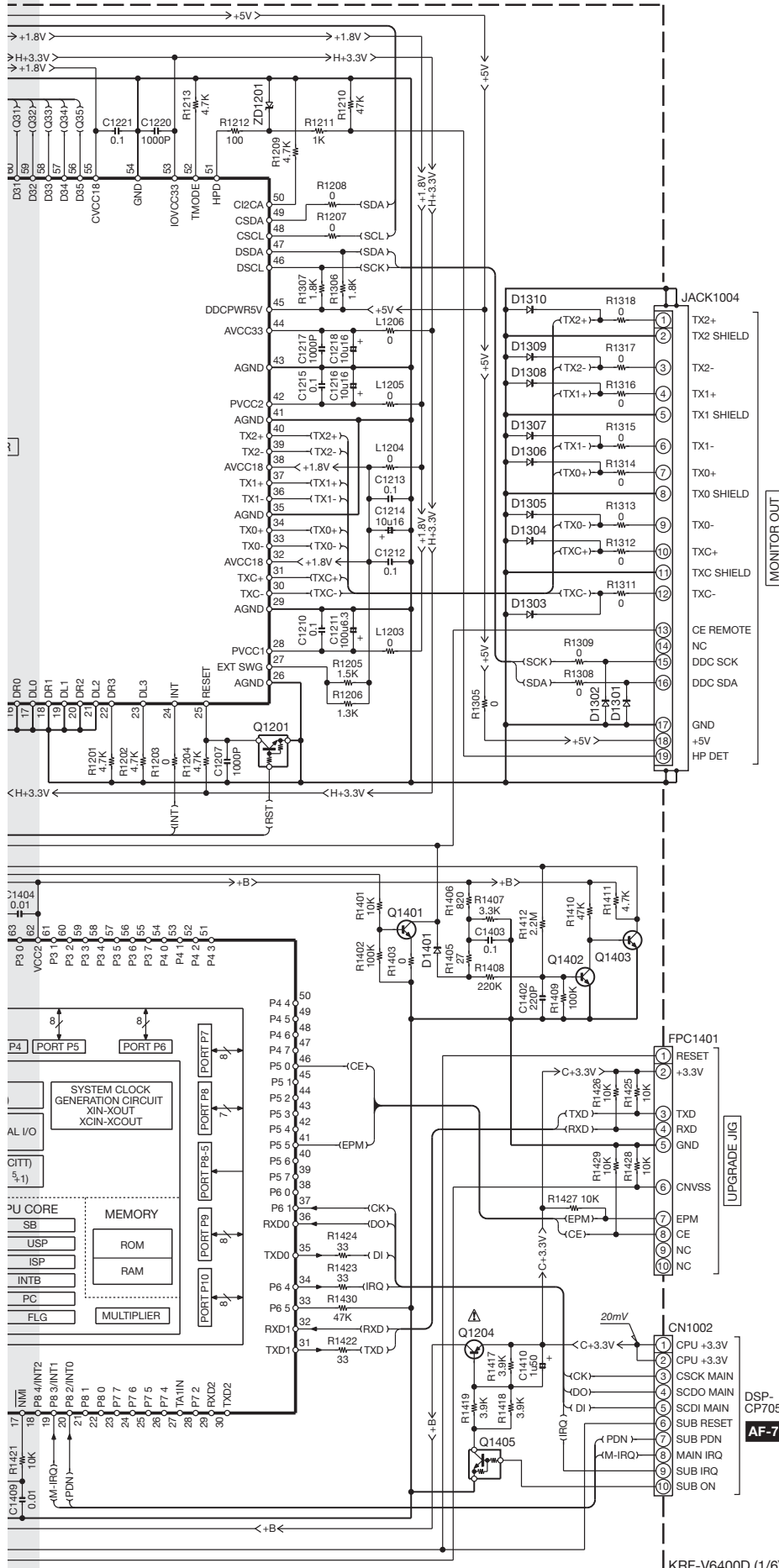
- IC1001 : SHI9233HDMI-RX Q1201
- IC1002 : SHI9134HDMI-TX Q1204
- IC1003 : M3030RFFP-HDMI Q1403
- IC1004 : IL1117-1.2 Q1402
- IC1005 : IL1117-1.8 Q1405



KRF-V5450D/V6400D

- Q1201 : KRC104S D1001-1020,1301-1310
- Q1204 : KTA1242AD-Y : CDS2C05HDMI
- Q1401 : 2SD2114KT D1401 : KDS4148U
- Q1402,1403 : KTC3875S-1 ZD1201 : UDZ5.1
- Q1405 : KRC102S

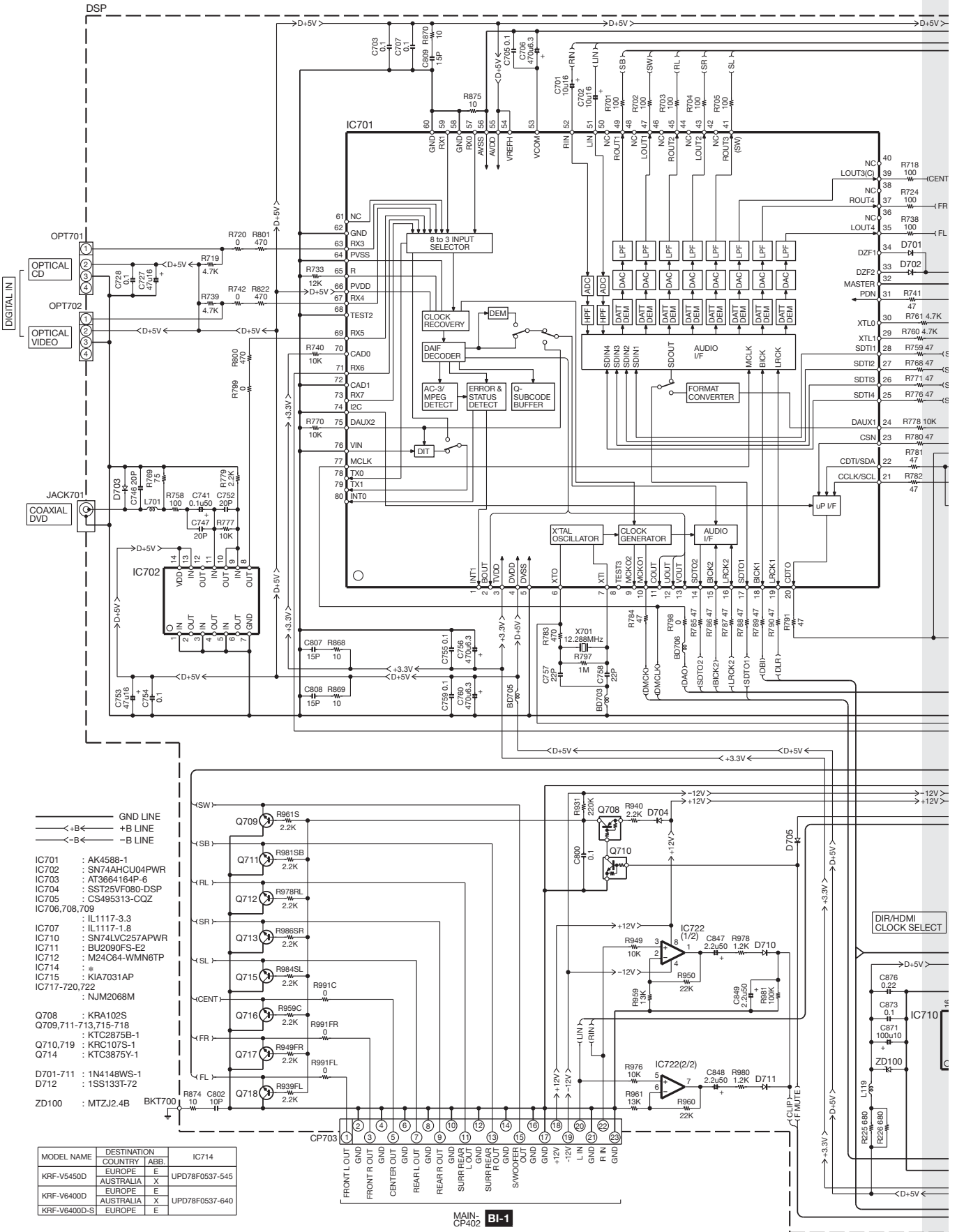




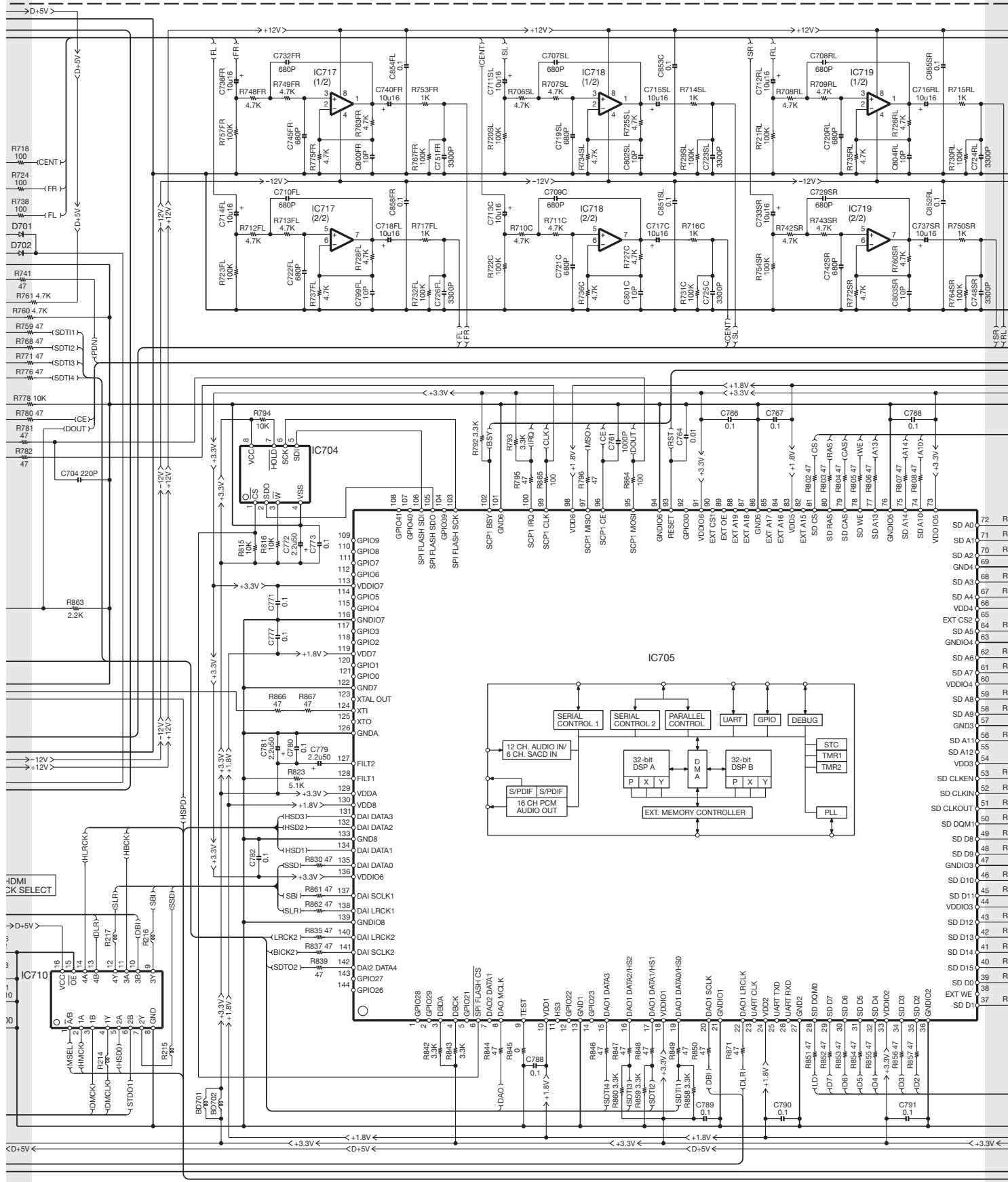
The DC voltage is an actual reading measured with a high impedance type voltmeter with no signal input. The measurement value may vary depending on the measuring instruments used or on the product.

KRF-V6400D (1/6)

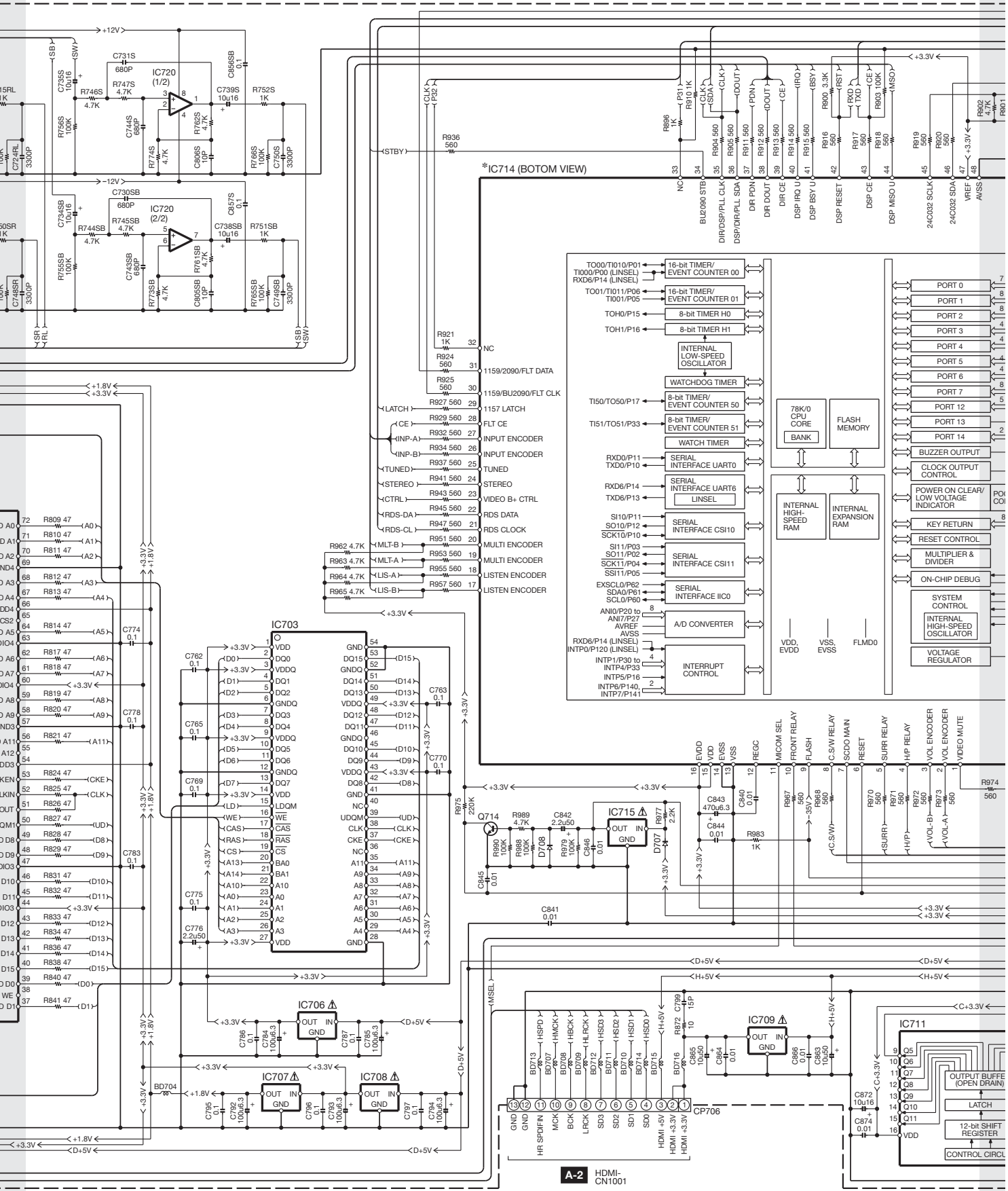
KRF-V5450D/V6400D



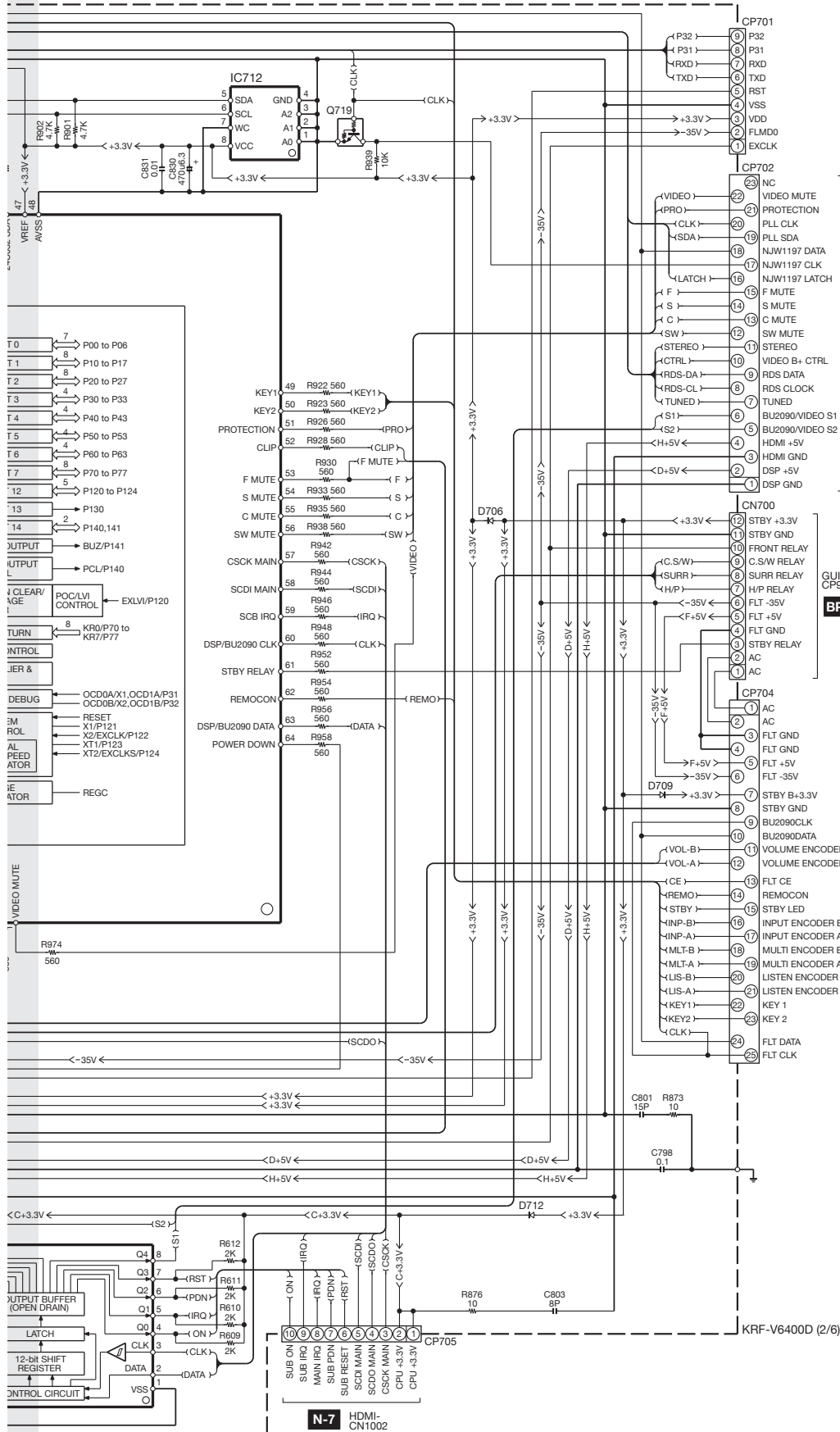
MAIN-CP402 BI-1



KRF-V5450D/V6400D



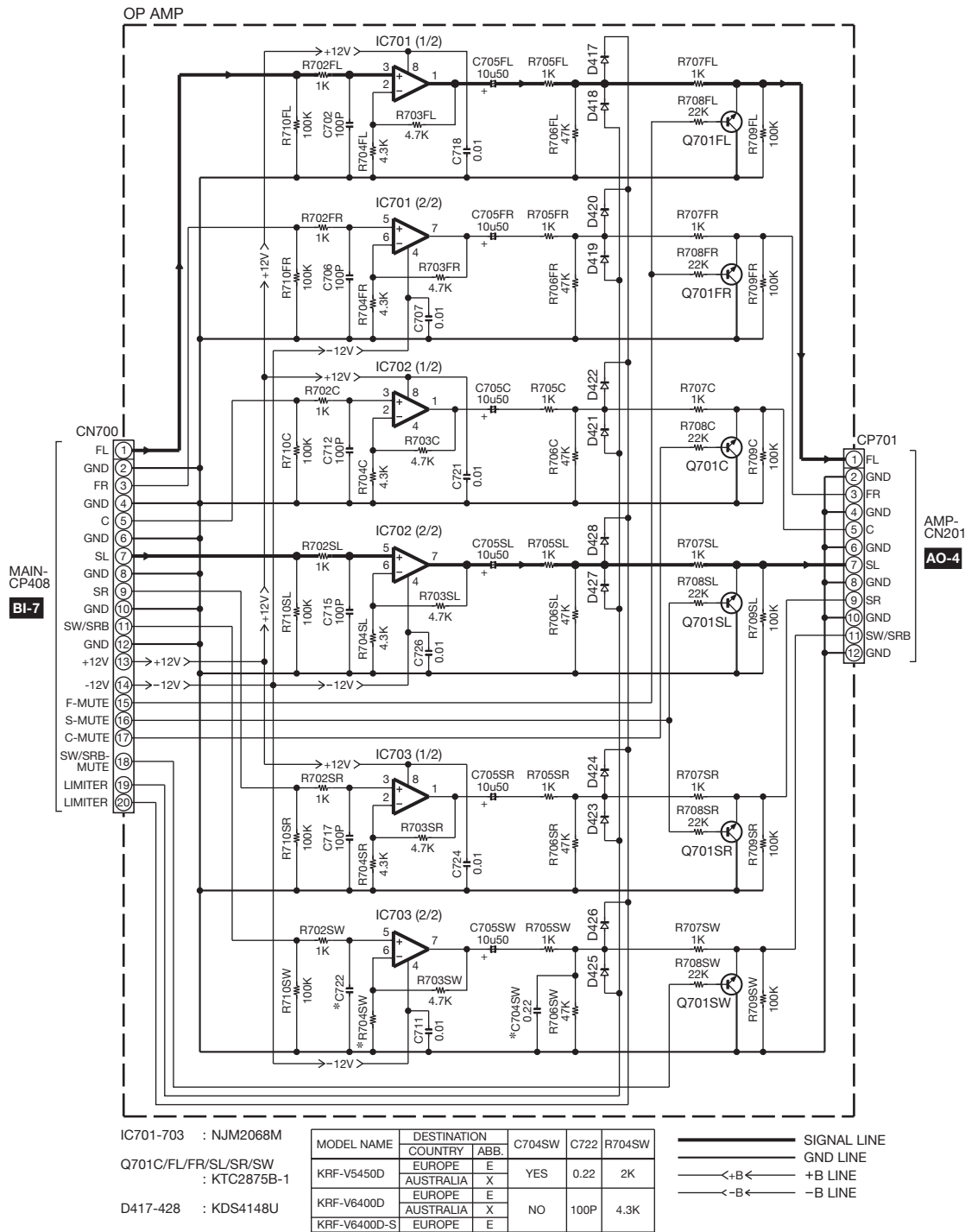
KRF-V5450D/V6400D



CAUTION: For continued safety, replace safety critical components only with manufacturer's recommended parts (refer to parts list). Δ indicates safety critical components. For continued protection against risk of fire, replace only with same type and rating fuse(s). To reduce the risk of electric shock, leakage-current or resistance measurements shall be carried out (exposed parts are acceptably insulated from the supply circuit) before the appliance is returned to the customer.

The DC voltage is an actual reading measured with a high impedance type voltmeter with no signal input. The measurement value may vary depending on the measuring instruments used or on the product.

KRF-V5450D/V6400D



KRF-V6400D (3/6)

CAUTION: For continued safety, replace safety critical components only with manufacturer's recommended parts (refer to parts list). Δ indicates safety critical components. For continued protection against risk of fire, replace only with same type and rating fuse(s). To reduce the risk of electric shock, leakage-current or resistance measurements shall be carried out (exposed parts are acceptably insulated from the supply circuit) before the appliance is returned to the customer.

The DC voltage is an actual reading measured with a high impedance type voltmeter with no signal input. The measurement value may vary depending on the measuring instruments used or on the product.

KRF-V5450D/V6400D

1

2

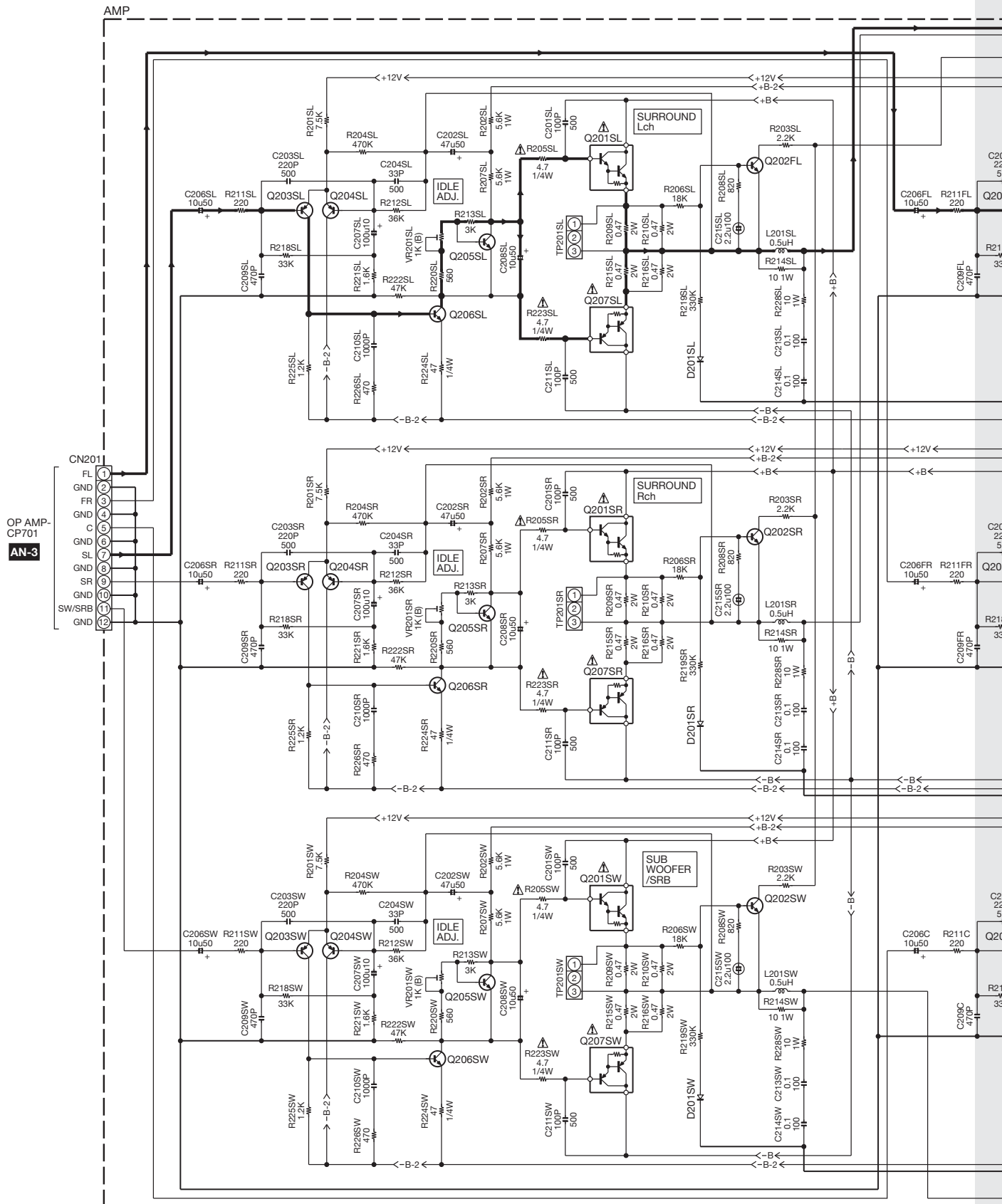
3

4

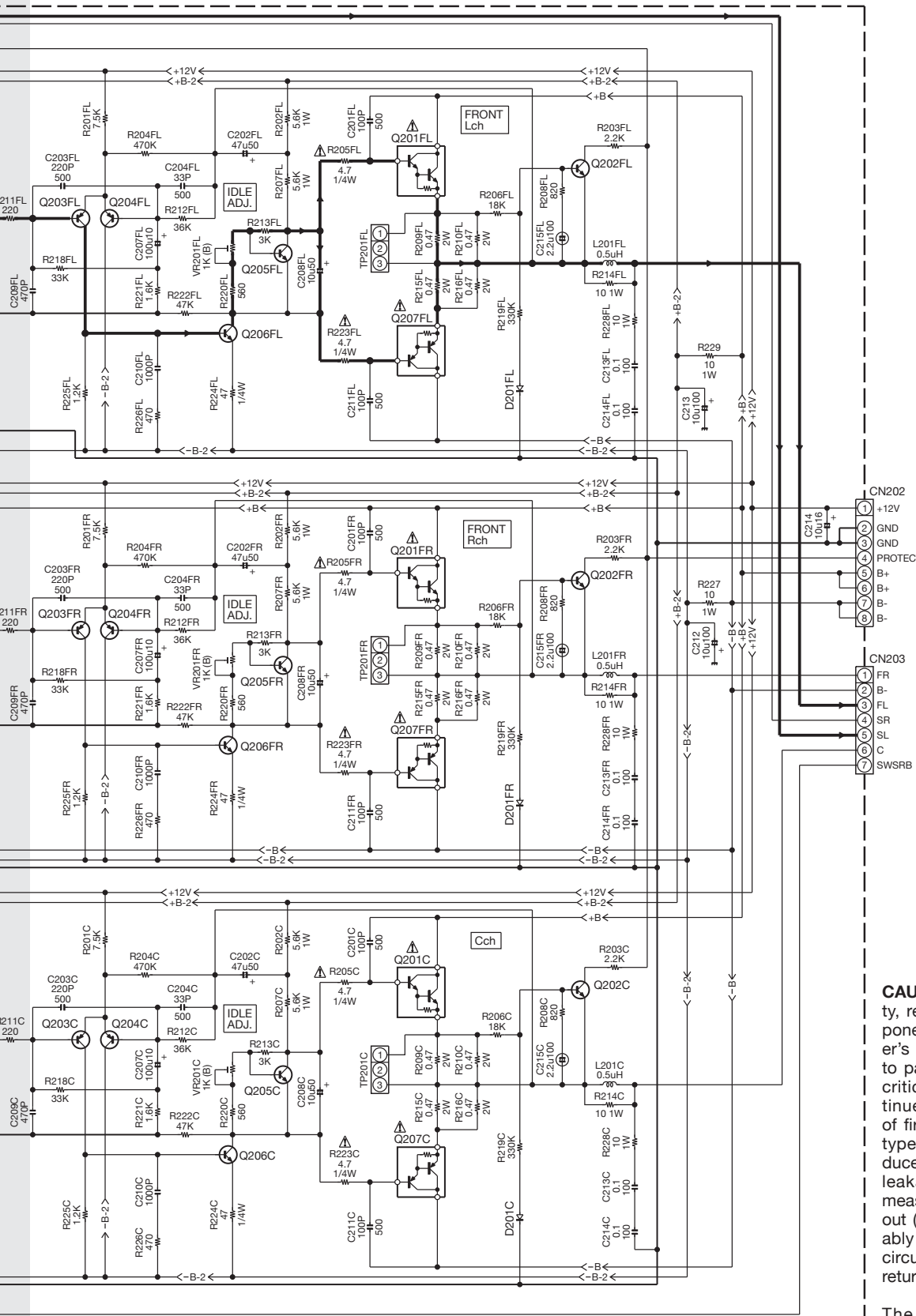
5

6

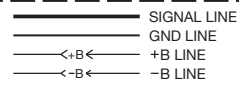
7



KRF-V5450D/V6400D



- Q201C/FL/FR/SL/SR/SW : 2SD2390-Y
- Q202C/FL/FR/SL/SR/SR/SW : KTC3200BL-1
- Q203C/FL/FR/SL/SR/SW, 204C/FL/FR/SL/SR/SW : KSA992F-1
- Q205C/FL/FR/SL/SR/SW : KTC3964
- Q207C/FL/FR/SL/SR/SW : 2SB1560-Y
- D201C/FL/FR/SL/SR/SW : 1SS133T-72



KRF-V6400D (4/6)

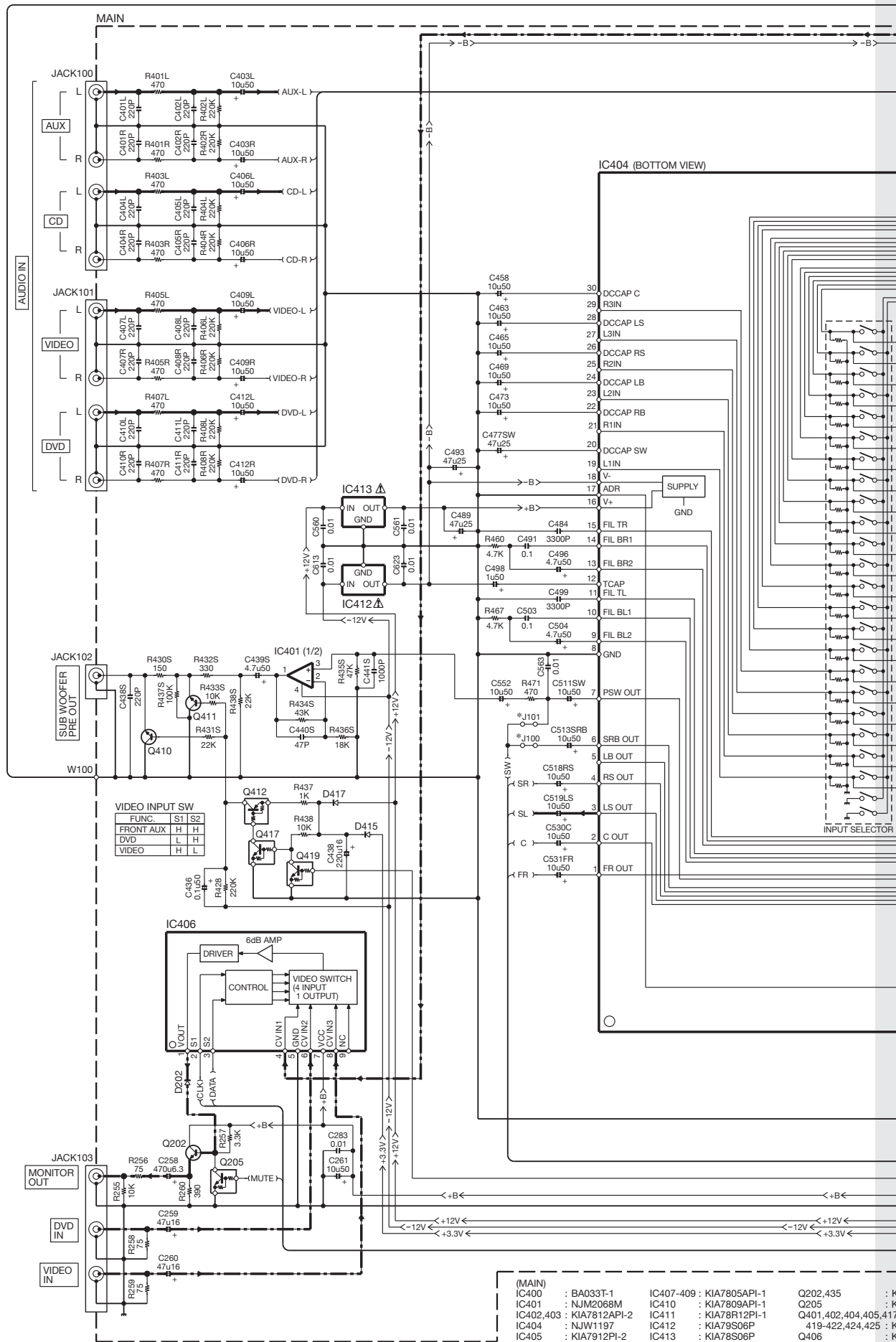
CAUTION: For continued safety, replace safety critical components only with manufacturer's recommended parts (refer to parts list). Δ indicates safety critical components. For continued protection against risk of fire, replace only with same type and rating fuse(s). To reduce the risk of electric shock, leakage-current or resistance measurements shall be carried out (exposed parts are acceptably insulated from the supply circuit) before the appliance is returned to the customer.

The DC voltage is an actual reading measured with a high impedance type voltmeter with no signal input. The measurement value may vary depending on the measuring instruments used or on the product.

1
2
3
4
5
6
7

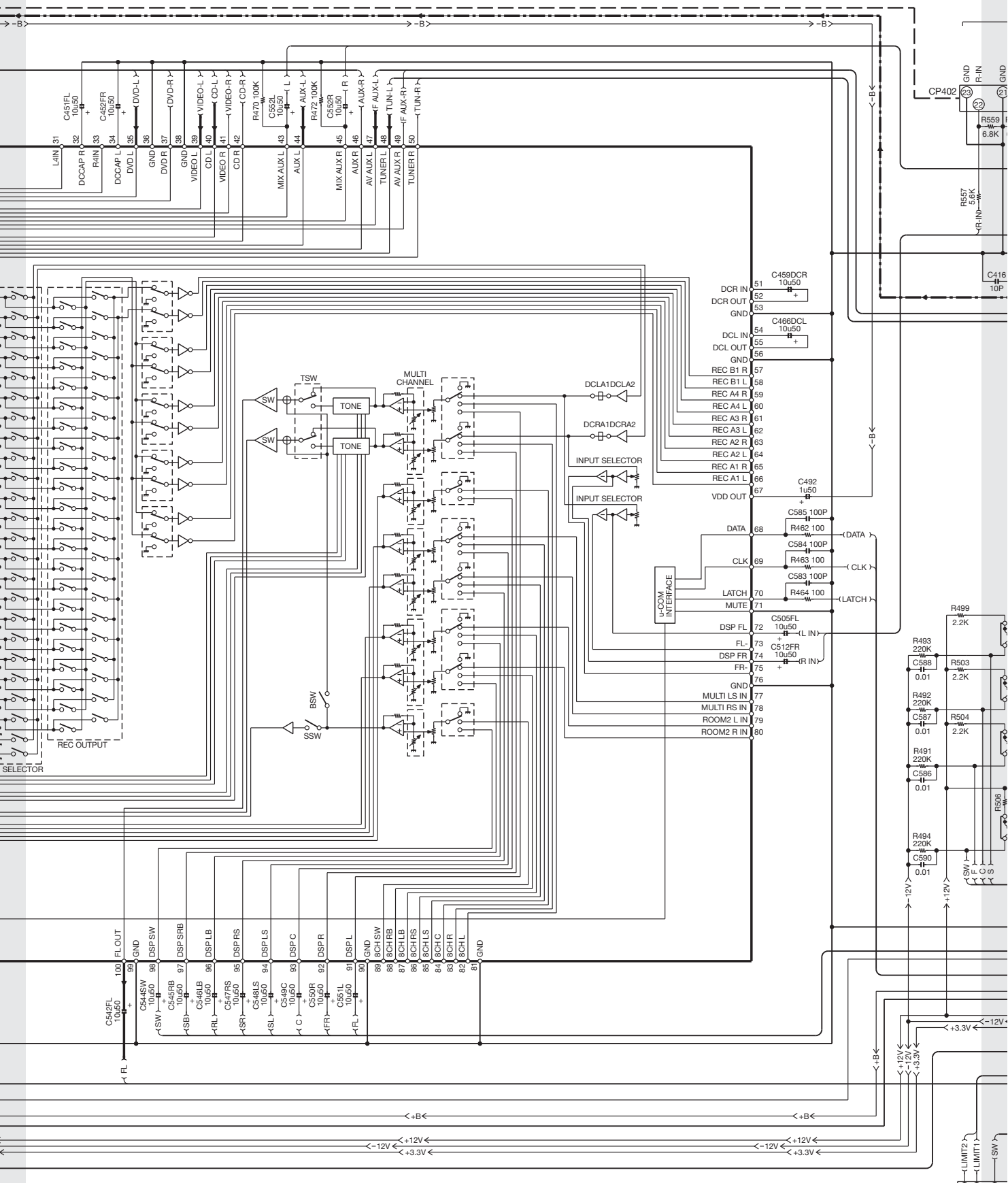
KRF-V5450D/V6400D

1
2
3
4
5
6
7



(MAIN)			
IC400	: BA033T-1	IC407-409	: KIA7805API-1
IC401	: NJM2068M	IC410	: KIA7809API-1
IC402,403	: KIA7812PI-2	IC411	: KIA78R12PI-1
IC404	: NJW1197	IC412	: KIA78S06P
IC405	: KIA7912PI-2	IC413	: KIA78S06P
IC406	: LA7956-1		
Q202,435	: KT	Q205	: KF
Q401,402,404,405,417	: KF	Q419-422,424,425	: KF
Q406	: KS	Q407	: KS

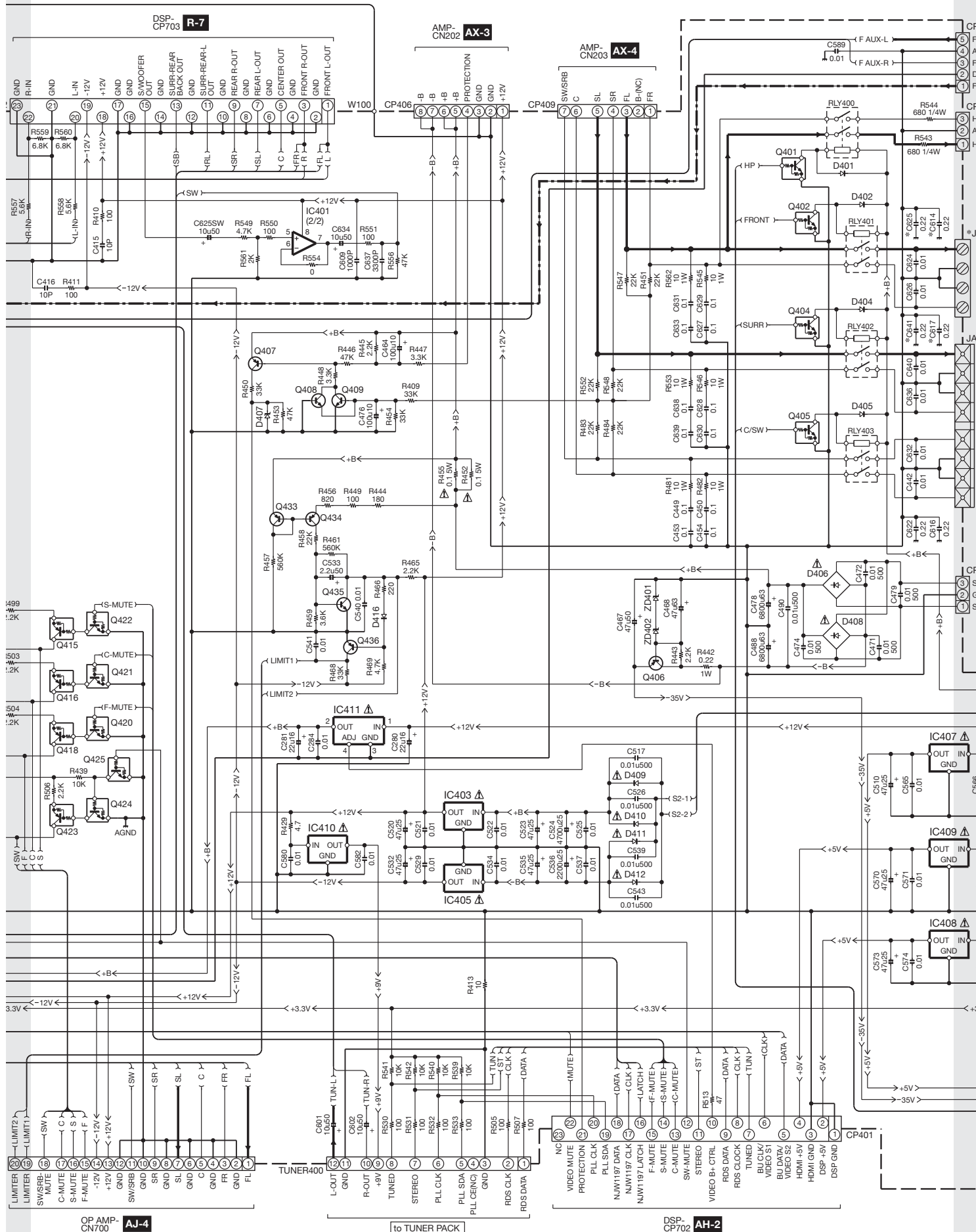
KRF-V5450D/V6400D



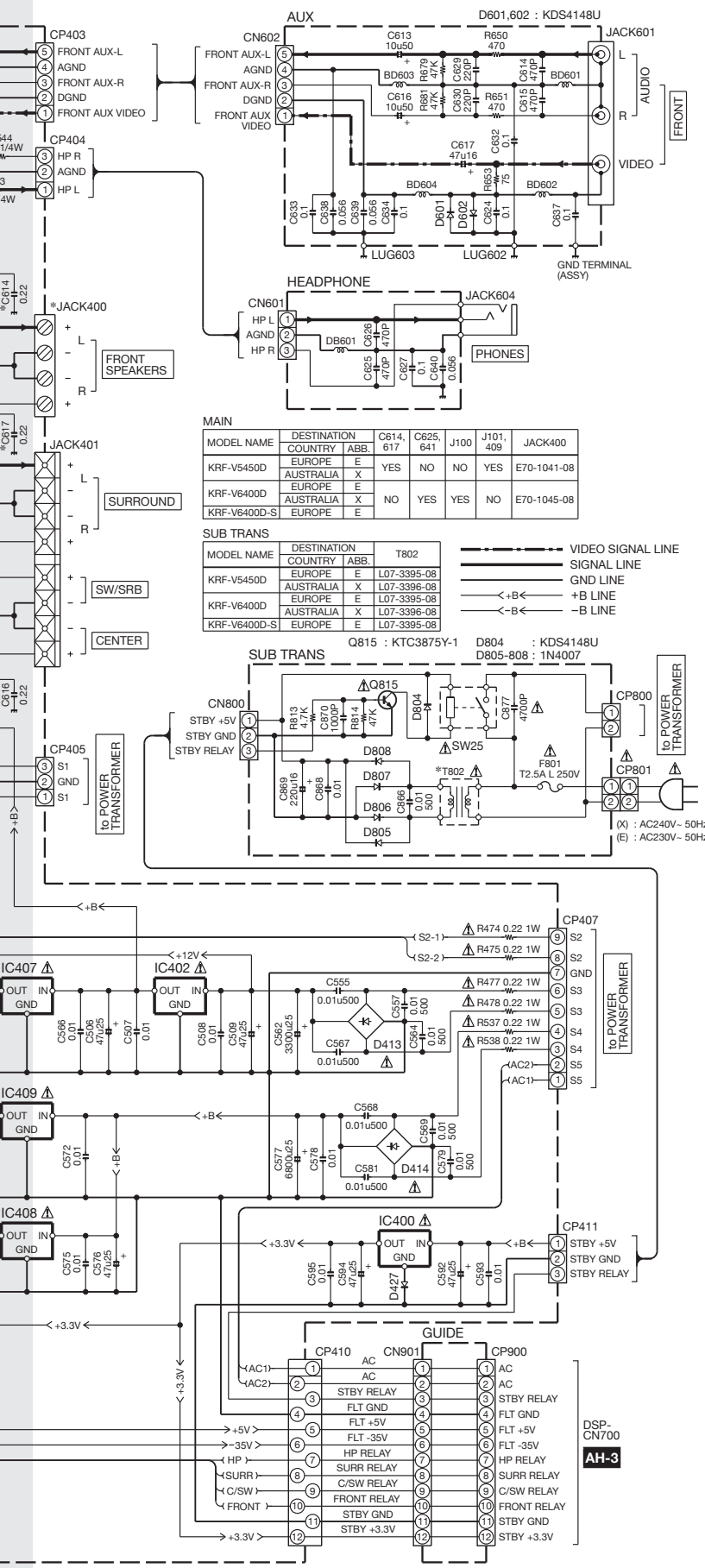
- : KTC3198-1
- : KRC105S
- : Q404,405,417
- : Q424,425
- : KRC107S-1
- : KSA916Y-1
- : KSA992F-1
- Q408,409
- Q410,411
- Q412,415,416,418,423
- Q433,434,436
- : KTC3200BL-1
- : KTC2875B-1
- : KTA102S
- : KTA1268BL-1
- D202,401,402,404,405
- 415-417,427
- D406,408
- D407
- D409-412
- D413,414
- : 1N4148WS-1
- : KBPC504
- : UDZ53,3
- : 1N4007
- : KBL02-1
- ZD401,402 : MTZ18B

CP408
 LIMITER
 LIMITER
 SW/SRB
 MUTE

KRF-V5450D/V6400D



KRF-V5450D/V6400D



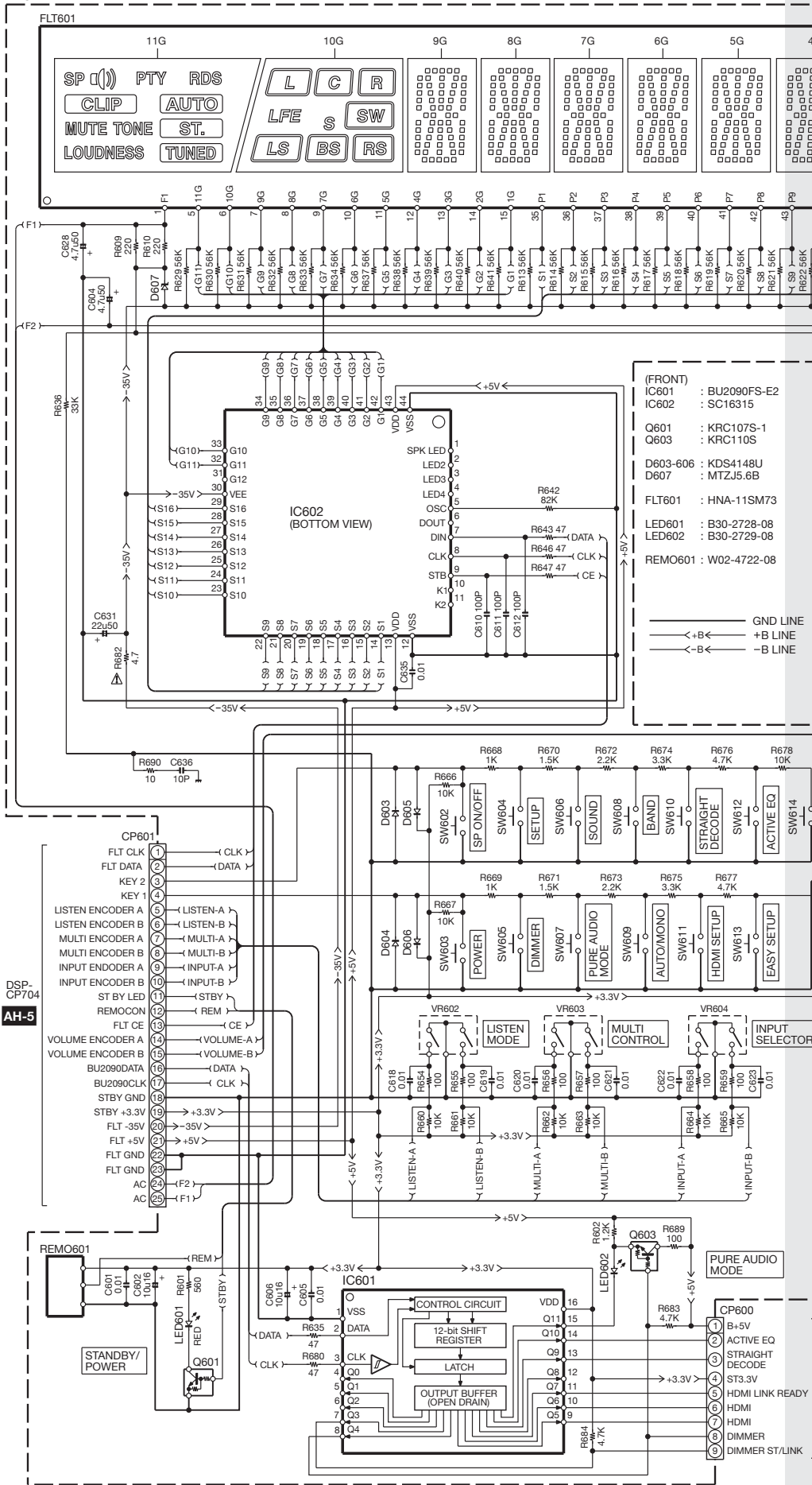
CAUTION: For continued safety, replace safety critical components only with manufacturer's recommended parts (refer to parts list). Δ indicates safety critical components. For continued protection against risk of fire, replace only with same type and rating fuse(s). To reduce the risk of electric shock, leakage-current or resistance measurements shall be carried out (exposed parts are acceptably insulated from the supply circuit) before the appliance is returned to the customer.

The DC voltage is an actual reading measured with a high impedance type voltmeter with no signal input. The measurement value may vary depending on the measuring instruments used or on the product.

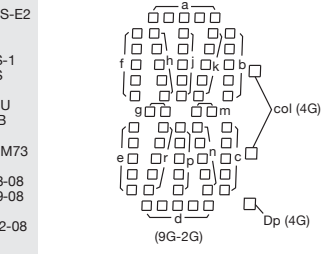
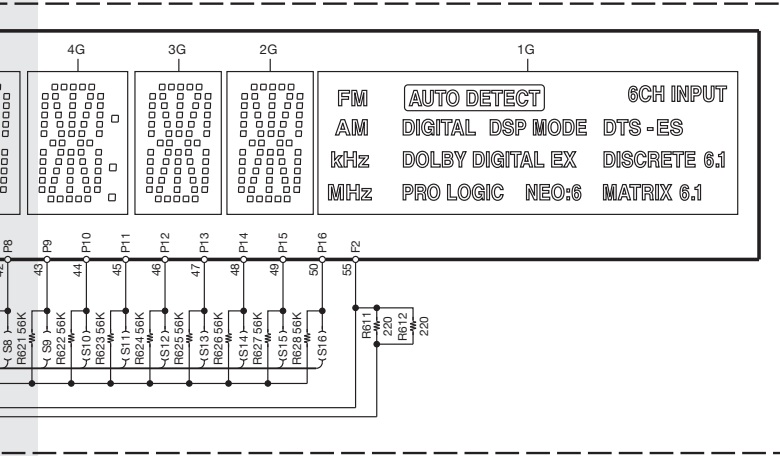
KRF-V6400D (5/6)

KRF-V5450D/V6400D

FRONT

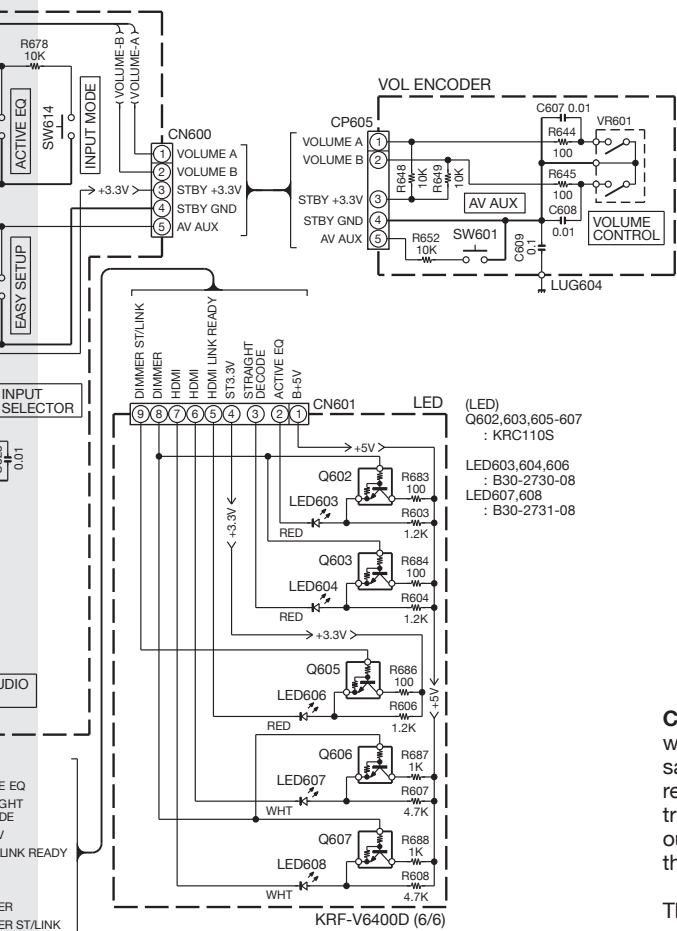


KRF-V5450D/V6400D



	11G	10G	9G	8G	7G	6G	5G	4G	3G	2G	1G
P1	SP (L)	L	a	a	a	a	a	a	a	a	FM
P2	CLIP	c	j	j	j	j	j	j	j	j	AM
P3	MUTE	R	h	h	h	h	h	h	h	h	kHz
P4	tone	LFE	k	k	k	k	k	k	k	k	MHz
P5	LOUDNESS	SW	b	b	b	b	b	b	b	b	AUTO DETECT
P6	PTY	LS	f	f	f	f	f	f	f	f	DIGITAL
P7	RDS	S	g	g	g	g	g	g	g	g	6CH INPUT
P8	AUTO	BS	m	m	m	m	m	m	m	m	DSP MODE
P9	ST	RS	c	c	c	c	c	c	c	c	DOLBY DIGITAL
P10	TUNED	(L)	e	e	e	e	e	e	e	e	EX
P11		(C)	r	r	r	r	r	r	r	r	PRO LOGIC
P12		(R)	n	n	n	n	n	n	n	n	NEO:6
P13		(SW)	p	p	p	p	p	p	p	p	DTS
P14		(LS)	d	d	d	d	d	d	d	d	-ES
P15		(BS)								col	DISCRETE 6.1
P16		(RS)						Dp			MATRIX 6.1

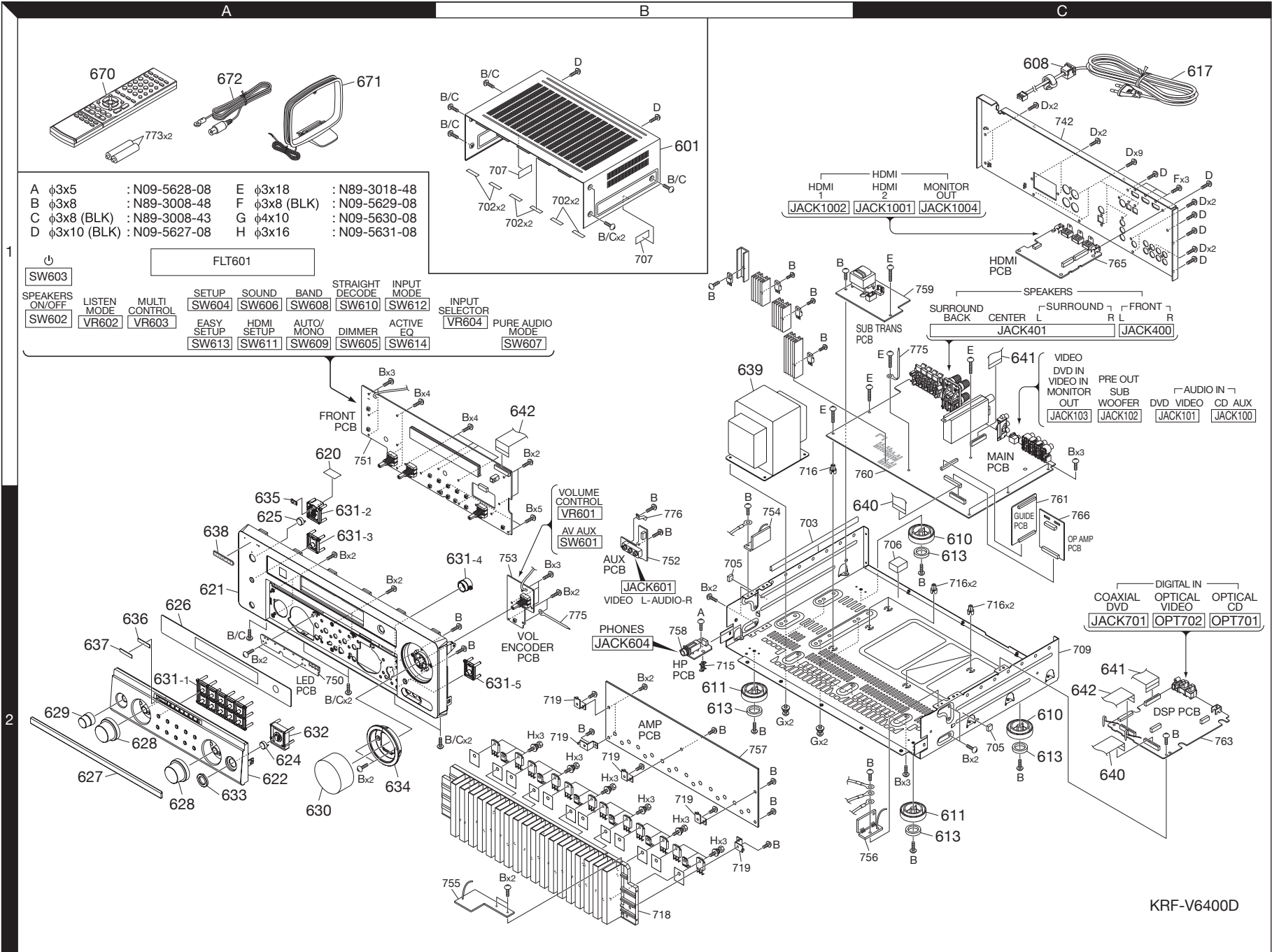
GND LINE
+B LINE
-B LINE



CAUTION: For continued safety, replace safety critical components only with manufacturer's recommended parts (refer to parts list). Δ indicates safety critical components. For continued protection against risk of fire, replace only with same type and rating fuse(s). To reduce the risk of electric shock, leakage-current or resistance measurements shall be carried out (exposed parts are acceptably insulated from the supply circuit) before the appliance is returned to the customer.

The DC voltage is an actual reading measured with a high impedance type voltmeter with no signal input. The measurement value may vary depending on the measuring instruments used or on the product.

1
2
3
4
5
6
7



A ϕ 3x5	: N09-5628-08	E ϕ 3x18	: N89-3018-48
B ϕ 3x8	: N89-3008-48	F ϕ 3x8 (BLK)	: N09-5629-08
C ϕ 3x8 (BLK)	: N89-3008-43	G ϕ 4x10	: N09-5630-08
D ϕ 3x10 (BLK)	: N09-5627-08	H ϕ 3x16	: N09-5631-08

SW603	FLT601			
SPEAKERS ON/OFF SW602	LISTEN MODE VR602	MULTI CONTROL VR603	SETUP SW604	SOUND SW606
EASY SETUP SW613	HDMI SETUP SW611	AUTO/MONO SW609	BAND SW608	STRAIGHT DECODE SW610
INPUT MODE SW612	INPUT SELECTOR VR604	PURE AUDIO MODE SW607	DIMMER SW605	ACTIVE EQ SW614

EXPLODED VIEW

KRF-V5450D/V6400D

KRF-V6400D

* New parts

Parts without **Parts No.** are not supplied.Les articles non mentionnés dans le **Parts No.** ne sont pas fournis.Teile ohne **Parts No.** werden nicht geliefert.

①

Ref. No.	Add-ress	New Parts	Parts No.	Description	Desti-nation	Re-marks
KRF-V5450D/V6400D						
-		*	B60-5810-08	INST.MANUAL(EN)	5707000002850S	
-		*	B60-5811-08	INST.MANUAL(5L)	5707000002860S	
601	1B		A01-4806-08	CABINET	3007211086000S	E
601	1B		A01-4807-08	CABINET	3007211086010S	S
608	1C		J42-0364-08	STOPPER	4380040162010S	B
610	2C		J02-1599-08	FOOT	4000000601010SZ	
611	2B,2C		J02-1600-08	FOOT	4007000601010SZ	
613	2B,2C		G11-3054-08	CUSHION	4050211175000S	
617	1C		E30-7412-08	CORD ASSY	L068250250100S	E
617	1C		E30-7413-08	CORD ASSY	L068250750020S	X
620	1A		G16-1317-08	SHEET	1210210732000S	
621	2A	*	A60-2584-08	PANEL,FRONT	3067214061010S	E2,X2
621	2A	*	A60-2585-08	PANEL,FRONT	3067214061110S	E3
621	2A	*	A60-2586-08	PANEL,FRONT	3067214061020S	5
622	2A	*	B07-2796-08	COVER,PANEL	4317214271010S	B
622	2A	*	B07-2797-08	COVER,PANEL	4317214271110S	S
624	2A		K29-8734-08	CAP	4507210311100SZ	S
624,625	2A		K29-8733-08	CAP	4500210311000SZ	B
625	2A		K29-8735-08	CAP	4507210311110SZ	S
626	2A		B10-5659-08	WINDOW,DISPLAY	5077212562000S	
627	2A	*	B10-5667-08	WINDOW,HDMI	5077212573010S	
628	2A		K29-8736-08	KNOB,CONTROL	5080211821000SZ	B
628	2A		K29-8739-08	KNOB,CONTROL	5087211821100SZ	S
629	2A		K29-8737-08	KNOB,MODE	5080211831000SZ	B
629	2A		K29-8740-08	KNOB,MODE	5087211831100SZ	S
630	2A		K29-8738-08	KNOB,VOLUME	5080211841000S	B
630	2A		K29-8741-08	KNOB,VOLUME	5087211841100S	S
631	2A,2B		K29-8742-08	BUTTON ASSY	5090213671000S	B
631	2A,2B		K29-8744-08	BUTTON ASSY	5097213671100S	S
632	2A		K29-8743-08	BUTTON,MODE	5090213681000S	
633	2A		B07-2785-08	DECORATION,CAP	5120210791000SZ	B
633	2A		B07-2786-08	DECORATION,CAP	5127210791100SZ	S
634	2A		B07-2787-08	DECORATION,VOL	5127210801000SZ	B
634	2A		B07-2788-08	DECORATION,VOL	5127210801100SZ	S
635	2A		B12-1419-08	INDICATOR,STAND	5160210211000S	
636	2A		B11-1644-08	FILTER,HDMI	5200210272000S	
637	2A		B11-1645-08	FILTER	5200210282000S	
638	2A		B43-0342-08	BADGE	5630210598000S	
639	1B	*	L07-3401-08	POWER TRANS	8200960560220S	E
639	1B	*	L07-3402-08	POWER TRANS	8200960560230S	X
640	2C	*	E35-4107-08	CABLE,FLAT CARDN	714231243810S	
641	1C,2C		E35-4085-08	CABLE,FLAT CARDN	712231243810S	
642	1B,2C		E35-4086-08	CABLE,FLAT CARDN	712252233810S	
670	1A	*	A70-1752-08	REMOCON	8300051800010S	
671	1A		T90-0937-08	ANTENNA,LOOP	E601016000010S	
672	1A		T90-0938-08	ANTENNA,WIRE	E605010070001S	
A			N09-5628-08	SCREW,TAP TITE	B020030051B10S	
B			N89-3008-48	SCREW,TAP TITE	B020030081B10S	
C			N89-3008-43	SCREW,TAP TITE	B020030083B10S	B
D			N09-5627-08	SCREW,TAP TITE	B020030103B11S	
E			N89-3018-48	SCREW,TAP TITE	B020030181B10S	
F			N09-5629-08	SCREW,TAP TITE	B020930083B10S	
G			N09-5630-08	SCREW,TAP TITE	B028940101B10S	

L: Scandinavia

K: USA

P: Canada

R: Mexico

C: China

I: Malaysia

Y: PX(Far East,Hawaii)

T: England

E: Europe

G: Germany

V: China(Shanghai)

Y: AAFES(Europe)

X: Australia

Q: Russia

H: Korea

M: Other Areas

△ Indicates safety critical components.

* New parts

Parts without **Parts No.** are not supplied.Les articles non mentionnés dans le **Parts No.** ne sont pas fournis.Teile ohne **Parts No.** werden nicht geliefert.

②

Ref. No.	Add-ress	New Parts	Parts No.	Description	Desti-nation	Re-marks
H			N09-5631-08	SCREW	1507041146010S	
ELECTRIC PARTS (MAIN)						
C258			CD04BJ0J471M	ELECTRO	470UF	6.3VW
C259,260			CD04BJ1C470M	ELECTRO	47UF	16VW
C261			CD04BJ1H100M	ELECTRO	10UF	50VW
C280,281			CD04BJ1C220M	ELECTRO	22UF	16VW
C283,284			CK73GB1H103K	CHIP C	0.010UF	K
C401L,R			CC73GCH1H221J	CHIP C	220PF	J
C402L,R			CC73GCH1H221J	CHIP C	220PF	J
C403L,R			CD04BJ1H100M	ELECTRO	10UF	50VW
C404L,R			CC73GCH1H221J	CHIP C	220PF	J
C405L,R			CC73GCH1H221J	CHIP C	220PF	J
C406L,R			CD04BJ1H100M	ELECTRO	10UF	50VW
C407L,R			CC73GCH1H221J	CHIP C	220PF	J
C408L,R			CC73GCH1H221J	CHIP C	220PF	J
C409L,R			CD04BJ1H100M	ELECTRO	10UF	50VW
C410L,R			CC73GCH1H221J	CHIP C	220PF	J
C411L,R			CC73GCH1H221J	CHIP C	220PF	J
C412L,R			CD04BJ1H100M	ELECTRO	10UF	50VW
C415,416			CC73GCH1H100D	CHIP C	10PF	D
C436			CD04AS1H0R1M	ELECTRO	0.1UF	50VW
C438			CD04BJ1C221M	ELECTRO	220UF	16VW
C438S			CC73GCH1H221J	CHIP C	220PF	J
C439S			CD04BJ1H4R7M	ELECTRO	4.7UF	50VW
C440S			CC73GCH1H470J	CHIP C	47PF	J
C441S			CK73GB1H102K	CHIP C	1000PF	K
C442			CK45FB1H103KN	CERAMIC	0.010UF	K
C449,450			CQ93FMG1H104J	MYLAR	0.10UF	J
C451FL			CD04BJ1H100M	ELECTRO	10UF	50VW
C452FR			CD04BJ1H100M	ELECTRO	10UF	50VW
C453,454			CQ93FMG1H104J	MYLAR	0.10UF	J
C458			CD04BJ1H100M	ELECTRO	10UF	50VW
C459DCR			CD04BJ1H100M	ELECTRO	10UF	50VW
C463			CD04BJ1H100M	ELECTRO	10UF	50VW
C464			CD04BJ1A101M	ELECTRO	100UF	10VW
C465			CD04BJ1H100M	ELECTRO	10UF	50VW
C466DCL			CD04BJ1H100M	ELECTRO	10UF	50VW
C467			CD04BJ1H470M	ELECTRO	47UF	50VW
C468			CD04BJ1J470M	ELECTRO	47UF	63VW
C469			CD04BJ1H100M	ELECTRO	10UF	50VW
C471,472		*	C91-1768-08	CERAMIC	0.010UF	500VW
C473			CD04BJ1H100M	ELECTRO	10UF	50VW
C474		*	C91-1768-08	CERAMIC	0.010UF	500VW
C476			CD04BJ1A101M	ELECTRO	100UF	10VW
C477SW			CD04BJ1E470M	ELECTRO	47UF	25VW
C478			C90-5891-08	ELECTRO	6800UF	63VW
C479		*	C91-1768-08	CERAMIC	0.010UF	500VW
C484			C91-1754-08	FILM	3300PF	J
C488			C90-5891-08	ELECTRO	6800UF	63VW
C489			CD04BJ1E470M	ELECTRO	47UF	25VW
C490		*	C91-1768-08	CERAMIC	0.010UF	500VW
C491			CQ93FMG1H104J	MYLAR	0.10UF	J
C492			CD04BJ1H010M	ELECTRO	1.0UF	50VW
C493			CD04BJ1E470M	ELECTRO	47UF	25VW

L: Scandinavia

K: USA

P: Canada

R: Mexico

C: China

I: Malaysia

Y: PX(Far East,Hawaii)

T: England

E: Europe

G: Germany

V: China(Shanghai)

Y: AAFES(Europe)

X: Australia

Q: Russia

H: Korea

M: Other Areas

△ Indicates safety critical components.

* New parts

Parts without **Parts No.** are not supplied.

Les articles non mentionnes dans le **Parts No.** ne sont pas fournis.

Teile ohne **Parts No.** werden nicht geliefert.

3

Ref. No.	Add-ress	New Parts	Parts No.	Description	Desti-nation	Re-marks
C496			CD04BJ1H4R7M	ELECTRO 4.7UF 50WV		
C498			CD04BJ1H010M	ELECTRO 1.0UF 50WV		
C499			C91-1754-08	FILM 3300PF J		
C503			CQ93FMG1H104J	MYLAR 0.10UF J		
C504			CD04BJ1H4R7M	ELECTRO 4.7UF 50WV		
C505FL			CD04BJ1H100M	ELECTRO 10UF 50WV		
C506			CD04BJ1E470M	ELECTRO 47UF 25WV		
C507,508			CK73GB1H103K	CHIP C 0.010UF K		
C509,510			CD04BJ1E470M	ELECTRO 47UF 25WV		
C511SW			CD04BJ1H100M	ELECTRO 10UF 50WV		
C512FR			CD04BJ1H100M	ELECTRO 10UF 50WV		
C513SRB			CD04BJ1H100M	ELECTRO 10UF 50WV		
C517		*	C91-1768-08	CERAMIC 0.010UF 500WV		
C518RS			CD04BJ1H100M	ELECTRO 10UF 50WV		
C519LS			CD04BJ1H100M	ELECTRO 10UF 50WV		
C520			CD04BJ1E470M	ELECTRO 47UF 25WV		
C521,522			CK73GB1H103K	CHIP C 0.010UF K		
C523			CD04BJ1E470M	ELECTRO 47UF 25WV		
C524			CD04BJ1E472M	ELECTRO 4700UF 25WV		
C525			CK73GB1H103K	CHIP C 0.010UF K		
C526		*	C91-1768-08	CERAMIC 0.010UF 500WV		
C529			CK73GB1H103K	CHIP C 0.010UF K		
C530C			CD04BJ1H100M	ELECTRO 10UF 50WV		
C531FR			CD04BJ1H100M	ELECTRO 10UF 50WV		
C532			CD04BJ1E470M	ELECTRO 47UF 25WV		
C533			CD04BJ1H2R2M	ELECTRO 2.2UF 50WV		
C534			CK73GB1H103K	CHIP C 0.010UF K		
C535			CD04BJ1E470M	ELECTRO 47UF 25WV		
C536			CD04BJ1E222M	ELECTRO 2200UF 25WV		
C537			CK73GB1H103K	CHIP C 0.010UF K		
C539		*	C91-1768-08	CERAMIC 0.010UF 500WV		
C540,541			CK73GB1H103K	CHIP C 0.010UF K		
C542FL			CD04BJ1H100M	ELECTRO 10UF 50WV		
C543		*	C91-1768-08	CERAMIC 0.010UF 500WV		
C544SW			CD04BJ1H100M	ELECTRO 10UF 50WV		
C545RB			CD04BJ1H100M	ELECTRO 10UF 50WV		
C546LB			CD04BJ1H100M	ELECTRO 10UF 50WV		
C547RS			CD04BJ1H100M	ELECTRO 10UF 50WV		
C548LS			CD04BJ1H100M	ELECTRO 10UF 50WV		
C549C			CD04BJ1H100M	ELECTRO 10UF 50WV		
C550R			CD04BJ1H100M	ELECTRO 10UF 50WV		
C551L			CD04BJ1H100M	ELECTRO 10UF 50WV		
C552			CD04BJ1H100M	ELECTRO 10UF 50WV		
C552L,R			CD04BJ1H100M	ELECTRO 10UF 50WV		
C555		*	C91-1768-08	CERAMIC 0.010UF 500WV		
C557		*	C91-1768-08	CERAMIC 0.010UF 500WV		
C560,561			CK73GB1H103K	CHIP C 0.010UF K		
C562			CD04BJ1E332M	ELECTRO 3300UF 25WV		
C563			CK73GB1H103K	CHIP C 0.010UF K		
C564		*	C91-1768-08	CERAMIC 0.010UF 500WV		
C565,566		*	CK73GB1H103K	CHIP C 0.010UF K		
C567-569			C91-1768-08	CERAMIC 0.010UF 500WV		
C570			CD04BJ1E470M	ELECTRO 47UF 25WV		
C571,572			CK73GB1H103K	CHIP C 0.010UF K		
C573			CD04BJ1E470M	ELECTRO 47UF 25WV		

L: Scandinavia K: USA P: Canada R: Mexico C: China I: Malaysia
 Y: PX(Far East,Hawaii) T: England E: Europe G: Germany V: China(Shanghai)
 Y: AAFES(Europe) X: Australia Q: Russia H: Korea M: Other Areas Δ Indicates safety critical components.

* New parts

Parts without **Parts No.** are not supplied.

Les articles non mentionnes dans le **Parts No.** ne sont pas fournis.

Teile ohne **Parts No.** werden nicht geliefert.

4

Ref. No.	Add-ress	New Parts	Parts No.	Description	Desti-nation	Re-marks
C574,575			CK73GB1H103K	CHIP C 0.010UF K		
C576			CD04BJ1E470M	ELECTRO 47UF 25WV		
C577			C90-5892-08	ELECTRO 6800UF 25WV		
C578			CK73GB1H103K	CHIP C 0.010UF K		
C579		*	C91-1768-08	CERAMIC 0.010UF 500WV		
C580		*	CK73GB1H103K	CHIP C 0.010UF K		
C581			C91-1768-08	CERAMIC 0.010UF 500WV		
C582			CK73GB1H103K	CHIP C 0.010UF K		
C583-585			CC73GCH1H101J	CHIP C 100PF J		
C586-588			CQ93FMG1H103J	MYLAR 0.010UF J		
C589			CK73GB1H103K	CHIP C 0.010UF K		
C590			CQ93FMG1H103J	MYLAR 0.010UF J		
C592			CD04BJ1E470M	ELECTRO 47UF 25WV		
C593			CK73GB1H103K	CHIP C 0.010UF K		
C594			CD04BJ1E470M	ELECTRO 47UF 25WV		
C595			CK73GB1H103K	CHIP C 0.010UF K		
C601,602			CD04BJ1H100M	ELECTRO 10UF 50WV		
C609			CK73GB1H102K	CHIP C 1000PF K		
C613			CK73GB1H103K	CHIP C 0.010UF K		
C614			CK73GB1C224K	CHIP C 0.22UF K	5	
C616			CK73GB1C224K	CHIP C 0.22UF K		
C617			CK73GB1C224K	CHIP C 0.22UF K	5	
C622			CK73GB1C224K	CHIP C 0.22UF K		
C623			CK73GB1H103K	CHIP C 0.010UF K		
C624			CK45FB1H103KN	CERAMIC 0.010UF K		
C625			CK73GB1C224K	CHIP C 0.22UF K	6	
C625SW			CD04BJ1H100M	ELECTRO 10UF 50WV		
C626			CK45FB1H103KN	CERAMIC 0.010UF K		
C627-631			CQ93FMG1H104J	MYLAR 0.10UF J		
C632			CK45FB1H103KN	CERAMIC 0.010UF K		
C633			CQ93FMG1H104J	MYLAR 0.10UF J		
C634			CD04BJ1H100M	ELECTRO 10UF 50WV		
C636			CK45FB1H103KN	CERAMIC 0.010UF K		
C637			CK73GB1H332K	CHIP C 3300PF K		
C638,639			CQ93FMG1H104J	MYLAR 0.10UF J		
C640			CK45FB1H103KN	CERAMIC 0.010UF K		
C641			CK73GB1C224K	CHIP C 0.22UF K	6	
CP401,402			E41-4007-08	CN.FPC 1.25MM L131112300010S		
CP408		*	E41-4043-08	CN.WAFER 2.0MM L101100042010S		
CP410		*	E41-4044-08	CN.WAFER 2.0MM L101100041210S		
JACK100,1		*	E63-1445-08	TER,RCA 4PIN G6020421E070YS		
JACK102		*	E63-1446-08	TER,RCA 1PIN G600107A0000YS		
JACK103		*	E63-1447-08	TER,RCA 3PIN G6060319D1B5YS		
JACK400		*	E70-1041-08	TER,BOARD PUSH G594408SA030YS	5	
JACK400		*	E70-1045-08	TER,BOARD SCREW G612405E0200YS	6	
JACK401		*	E70-1046-08	TER,BOARD PUSH G598801SA050YS		
J100			RK73GB2A000J	CHIP R 0.0 J 1/10W	6	
J101			RK73GB2A000J	CHIP R 0.0 J 1/10W	5	
J401			RK73GB2A000J	CHIP R 0.0 J 1/10W		
J406			RK73GB2A000J	CHIP R 0.0 J 1/10W		
J469			RK73EB2E000J	CHIP R 0.0 J 1/4W		
J472,473			RK73GB2A000J	CHIP R 0.0 J 1/10W		
J477-479			RK73EB2E000J	CHIP R 0.0 J 1/4W		
J481			RK73EB2E000J	CHIP R 0.0 J 1/4W		

L: Scandinavia K: USA P: Canada R: Mexico C: China I: Malaysia
 Y: PX(Far East,Hawaii) T: England E: Europe G: Germany V: China(Shanghai)
 Y: AAFES(Europe) X: Australia Q: Russia H: Korea M: Other Areas Δ Indicates safety critical components.

PARTS LIST

KRF-V5450D/V6400D

* New parts

Parts without **Parts No.** are not supplied.Les articles non mentionnés dans le **Parts No.** ne sont pas fournis.Teile ohne **Parts No.** werden nicht geliefert.

5

Ref. No.	Add-ress	New Parts	Parts No.	Description	Desti-nation	Re-marks
J539			RK73GB2A000J	CHIP R 0.0 J 1/10W		
J568			RK73EB2E000J	CHIP R 0.0 J 1/4W		
J578,579			RK73EB2E000J	CHIP R 0.0 J 1/4W		
J581			RK73EB2E000J	CHIP R 0.0 J 1/4W		
J583			RK73EB2E000J	CHIP R 0.0 J 1/4W		
J586			RK73EB2E000J	CHIP R 0.0 J 1/4W		
J588			RK73GB2A000J	CHIP R 0.0 J 1/10W		
J594-596			RK73GB2A000J	CHIP R 0.0 J 1/10W		
J597-599			RK73EB2E000J	CHIP R 0.0 J 1/4W		
J600,601			RK73GB2A000J	CHIP R 0.0 J 1/10W		
J603			RK73EB2E000J	CHIP R 0.0 J 1/4W		
J634			RK73GB2A000J	CHIP R 0.0 J 1/10W		
J636			RK73GB2A000J	CHIP R 0.0 J 1/10W		
J643			RK73EB2E000J	CHIP R 0.0 J 1/4W		
J650			RK73EB2E000J	CHIP R 0.0 J 1/4W		
J655-657			RK73GB2A000J	CHIP R 0.0 J 1/10W		
J658			RK73EB2E000J	CHIP R 0.0 J 1/4W		
J661			RK73EB2E000J	CHIP R 0.0 J 1/4W		
J663			RK73EB2E000J	CHIP R 0.0 J 1/4W		
J672			RK73EB2E000J	CHIP R 0.0 J 1/4W		
J675,676			RK73EB2E000J	CHIP R 0.0 J 1/4W		
J678			RK73EB2E000J	CHIP R 0.0 J 1/4W		
J682			RK73EB2E000J	CHIP R 0.0 J 1/4W		
J689			RK73EB2E000J	CHIP R 0.0 J 1/4W		
J693			RK73EB2E000J	CHIP R 0.0 J 1/4W		
J694			RK73GB2A000J	CHIP R 0.0 J 1/10W		
J695			RK73EB2E000J	CHIP R 0.0 J 1/4W		
J714-719			RK73EB2E000J	CHIP R 0.0 J 1/4W		
J751			RK73GB2A000J	CHIP R 0.0 J 1/10W		
R255			RK73GB2A103J	CHIP R 10K J 1/10W		
R256			RK73GB2A750J	CHIP R 75 J 1/10W		
R257			RK73GB2A332J	CHIP R 3.3K J 1/10W		
R258,259			RK73GB2A750J	CHIP R 75 J 1/10W		
R260			RK73GB2A391J	CHIP R 390 J 1/10W		
R401L,R			RK73GB2A471J	CHIP R 470 J 1/10W		
R402L,R			RK73GB2A224J	CHIP R 220K J 1/10W		
R403L,R			RK73GB2A471J	CHIP R 470 J 1/10W		
R404L,R			RK73GB2A224J	CHIP R 220K J 1/10W		
R405L,R			RK73GB2A471J	CHIP R 470 J 1/10W		
R406L,R			RK73GB2A224J	CHIP R 220K J 1/10W		
R407L,R			RK73GB2A471J	CHIP R 470 J 1/10W		
R408L,R			RK73GB2A224J	CHIP R 220K J 1/10W		
R409			RK73GB2A333J	CHIP R 33K J 1/10W		
R410,411			RK73GB2A101J	CHIP R 100 J 1/10W		
R428			RK73GB2A224J	CHIP R 220K J 1/10W		
R429		*	R92-4772-08	RD 4.7 J 1/5W		
R430S			RK73GB2A151J	CHIP R 150 J 1/10W		
R431S			RK73GB2A223J	CHIP R 22K J 1/10W		
R432S			RK73GB2A331J	CHIP R 330 J 1/10W		
R433S			RK73GB2A103J	CHIP R 10K J 1/10W		
R434S			RK73GB2A433J	CHIP R 43K J 1/10W		
R435S			RK73GB2A473J	CHIP R 47K J 1/10W		
R436S			RK73GB2A183J	CHIP R 18K J 1/10W		
R437			RK73GB2A102J	CHIP R 1.0K J 1/10W		
R437S			RK73GB2A104J	CHIP R 100K J 1/10W		

L: Scandinavia K: USA P: Canada R: Mexico C: China I: Malaysia
 Y: PX(Far East,Hawaii) T: England E: Europe G: Germany V: China(Shanghai)
 Y: AAFES(Europe) X: Australia Q: Russia H: Korea M: Other Areas Δ Indicates safety critical components.

* New parts

Parts without **Parts No.** are not supplied.Les articles non mentionnés dans le **Parts No.** ne sont pas fournis.Teile ohne **Parts No.** werden nicht geliefert.

6

Ref. No.	Add-ress	New Parts	Parts No.	Description	Desti-nation	Re-marks
R438,439			RK73GB2A103J	CHIP R 10K J 1/10W		
R438S			RK73GB2A223J	CHIP R 22K J 1/10W		
R442			R92-4730-08	RS 0.22 J 1W		
R443		*	R92-4773-08	RD 2.2K J 1/5W		
R444		*	R92-4774-08	RD 180 J 1/5W		
R445			RK73GB2A222J	CHIP R 2.2K J 1/10W		
R446			RK73GB2A473J	CHIP R 47K J 1/10W		
R447,448			RK73GB2A332J	CHIP R 3.3K J 1/10W		
R449		*	R92-4775-08	RD 100 J 1/5W		
R450			RK73GB2A333J	CHIP R 33K J 1/10W		
R451			RK73GB2A223J	CHIP R 22K J 1/10W		
R452			R92-4731-08	CEMENT 0.1 J 5W		
R453			RK73GB2A473J	CHIP R 47K J 1/10W		
R454			RK73GB2A333J	CHIP R 33K J 1/10W		
R455			R92-4731-08	CEMENT 0.1 J 5W		
R456		*	R92-4776-08	RD 820 J 1/5W		
R457		*	R92-4777-08	RD 560K J 1/5W		
R458		*	R92-4778-08	RD 22K J 1/5W		
R459			RK73GB2A362J	CHIP R 3.6K J 1/10W		
R460			RK73GB2A472J	CHIP R 4.7K J 1/10W		
R461			RK73GB2A564J	CHIP R 560K J 1/10W		
R462-464			RK73GB2A101J	CHIP R 100 J 1/10W		
R465			RK73GB2A222J	CHIP R 2.2K J 1/10W		
R466			RK73GB2A221J	CHIP R 220 J 1/10W		
R467			RK73GB2A472J	CHIP R 4.7K J 1/10W		
R468			RK73GB2A333J	CHIP R 33K J 1/10W		
R469			RK73GB2A472J	CHIP R 4.7K J 1/10W		
R470			RK73GB2A104J	CHIP R 100K J 1/10W		
R471			RK73GB2A471J	CHIP R 470 J 1/10W		
R472			RK73GB2A104J	CHIP R 100K J 1/10W		
R474,475			R92-4730-08	RS 0.22 J 1W		
R477,478			R92-4730-08	RS 0.22 J 1W		
R481,482			R92-4732-08	RS 10 J 1W		
R483,484			RK73GB2A223J	CHIP R 22K J 1/10W		
R491-494			RK73GB2A224J	CHIP R 220K J 1/10W		
R499			RK73GB2A222J	CHIP R 2.2K J 1/10W		
R503,504			RK73GB2A222J	CHIP R 2.2K J 1/10W		
R505			RK73GB2A101J	CHIP R 100 J 1/10W		
R506			RK73GB2A222J	CHIP R 2.2K J 1/10W		
R507			RK73GB2A101J	CHIP R 100 J 1/10W		
R530-533			RK73GB2A101J	CHIP R 100 J 1/10W		
R537,538			R92-4730-08	RS 0.22 J 1W		
R539-542			RK73GB2A103J	CHIP R 10K J 1/10W		
R543,544			R92-4733-08	RN 680 J 1/4W		
R545,546			R92-4732-08	RS 10 J 1W		
R547,548			RK73GB2A223J	CHIP R 22K J 1/10W		
R549			RK73GB2A472J	CHIP R 4.7K J 1/10W		
R550,551			RK73GB2A101J	CHIP R 100 J 1/10W		
R552			RK73GB2A223J	CHIP R 22K J 1/10W		
R553			R92-4732-08	RS 10 J 1W		
R554			RK73GB2A000J	CHIP R 0.0 J 1/10W		
R556			RK73GB2A473J	CHIP R 47K J 1/10W		
R557,558		*	R92-4779-08	RD 5.6K J 1/5W		
R559,560			RK73GB2A682J	CHIP R 6.8K J 1/10W		
R561			RK73GB2A202J	CHIP R 2.0K J 1/10W		

L: Scandinavia K: USA P: Canada R: Mexico C: China I: Malaysia
 Y: PX(Far East,Hawaii) T: England E: Europe G: Germany V: China(Shanghai)
 Y: AAFES(Europe) X: Australia Q: Russia H: Korea M: Other Areas Δ Indicates safety critical components.

* New parts

Parts without **Parts No.** are not supplied.

Les articles non mentionnes dans le **Parts No.** ne sont pas fournis.

Teile ohne **Parts No.** werden nicht geliefert.

7

Ref. No.	Add-ress	New Parts	Parts No.	Description	Desti-nation	Re-marks
R562			R92-4732-08	RS 10 J 1W		
RLY400			S76-0154-08	RELAY G680120202020S		
RLY401-03			S76-0155-08	RELAY G680120502050S		
D202			1N4148WS-1	D,SWITCHING CHI K005041483230S		
D401,402			1N4148WS-1	D,SWITCHING CHI K005041483230S		
D404,405			1N4148WS-1	D,SWITCHING CHI K005041483230S		
D406			KBPC604	D,RECTIFIER BRI K047604000020S		
D407			UDZS3.3	D,ZENER CHIP K06603R34P400S		
D408			KBPC604	D,RECTIFIER BRI K047604000020S		
D409-412			1N4007	D,SWITCHING CHI K000400700010S		
D413,414			KBL02-1	D,RECTIFIER BRI K047200200010S		
D415-417			1N4148WS-1	D,SWITCHING CHI K005041483230S		
D427			1N4148WS-1	D,SWITCHING CHI K005041483230S		
IC400			BA033T-1	IC(ANALOGUE IC) J12603R300010S		
IC401			NJM2068M	IC, LINEAR OP J121206800020S		
IC402,403			KIA7812API-2	IC(ANALOGUE IC) J126781200040S		
IC404			NJW1197	IC, ELECT VR J084119700010S		
IC405			KIA7912PI-2	IC(ANALOGUE IC) J126791200060S		
IC406			LA7956-1	IC, MONITOR SW J171795600010S		
IC407-409			KIA7805API-1	IC(VOLTAGE REGULAT)0500110S		
IC410			KIA7809API-1	IC(ANALOGUE IC) J126780900020S		
IC411			KIA78R12PI-1	IC, LINEAR-REGUL J126781200260S		
IC412			KIA79S06P	IC, LINEAR-REGUL J126790600140S		
IC413			KIA78S06P	IC, LINEAR-REGUL J126780600080S		
Q202			KTC3198-1	SEMI, TR/GE NPN J5023198Y0000S		
Q205			KRC105S	SEMI,CHIP TR/NP J522010500210S		
Q401,402			KRC107S-1	SEMI,CHIP TR/NP J522107S00210S		
Q404,405			KRC107S-1	SEMI,CHIP TR/NP J522107S00210S		
Q406			KSA916Y-1	SEMI, TR/GE PNP J5000916Y0050S		
Q407			KSA992F-1	SEMI, TR/GE PNP J5000992F0050S		
Q408,409			KTC3200BL-1	SEMI, TR/GE NPN J5023200B0050S		
Q410,411			KTC2875B-1	SEMI,CHIP TR/NP J5222875B0010S		
Q412			KRA102S	SEMI,CHIP TR/PN J520010200210S		
Q415,416			KRA102S	SEMI,CHIP TR/PN J520010200210S		
Q417			KRC107S-1	SEMI,CHIP TR/NP J522107S00210S		
Q418			KRA102S	SEMI,CHIP TR/PN J520010200210S		
Q419-422			KRC107S-1	SEMI,CHIP TR/NP J522107S00210S		
Q423			KRA102S	SEMI,CHIP TR/PN J520010200210S		
Q424,425			KRC107S-1	SEMI,CHIP TR/NP J522107S00210S		
Q433,434			KTA1268BL-1	SEMI, TR/GE PNP J5001268B0050S		
Q435			KTC3198-1	SEMI, TR/GE NPN J5023198Y0000S		
Q436			KTA1268BL-1	SEMI, TR/GE PNP J5001268B0050S		
ZD401,402			MTZ18B	D,ZENER K06018R044520S		
TUNER400		*	W02-4721-08	TUNER,FM/AM E903104100022S		
ELECTRIC PARTS (FRONT)						
LED601			B30-2728-08	LED,ROUND K500032000190S		
LED602			B30-2729-08	LED,ROUND K500039000030S		
C601			CK73GB1H103K	CHIP C 0.010UF K		
C602			CD04AT1C100M	ELECTRO 10UF 16WV		
C604			CD04AS1H4R7M	ELECTRO 4.7UF 50WV		
C605			CK73GB1H103K	CHIP C 0.010UF K		
C606			CD04AT1C100M	ELECTRO 10UF 16WV		

L: Scandinavia K: USA P: Canada R: Mexico C: China I: Malaysia
 Y: PX(Far East,Hawaii) T: England E: Europe G: Germany V: China(Shanghai)
 Y: AAFES(Europe) X: Australia Q: Russia H: Korea M: Other Areas Δ Indicates safety critical components.

* New parts

Parts without **Parts No.** are not supplied.

Les articles non mentionnes dans le **Parts No.** ne sont pas fournis.

Teile ohne **Parts No.** werden nicht geliefert.

8

Ref. No.	Add-ress	New Parts	Parts No.	Description	Desti-nation	Re-marks
C610-612			CC73GCH1H101J	CHIP C 100PF J		
C618-623			CK73GB1H103K	CHIP C 0.010UF K		
C628			CD04AS1H4R7M	ELECTRO 4.7UF 50WV		
C631			CD04BJ1H220M	ELECTRO 22UF 50WV		
C635			CK73GB1H103K	CHIP C 0.010UF K		
C636			CC73GCH1H100D	CHIP C 10PF D		
CP601			E41-4010-08	CN.FPC 1.25MM L131102500010S		
J115			RK73GB2A000J	CHIP R 0.0 J 1/10W		
J684			RK73EB2E000J	CHIP R 0.0 J 1/4W		
R601			RK73GB2A561J	CHIP R 560 J 1/10W		
R602			RK73GB2A122J	CHIP R 1.2K J 1/10W		
R609-612			RK73GB2A221J	CHIP R 220 J 1/10W		
R613-634			RK73GB2A563J	CHIP R 56K J 1/10W		
R635			RK73GB2A470J	CHIP R 47 J 1/10W		
R636			RK73GB2A333J	CHIP R 33K J 1/10W		
R637-641			RK73GB2A563J	CHIP R 56K J 1/10W		
R642			RK73GB2A823J	CHIP R 82K J 1/10W		
R643			RK73GB2A470J	CHIP R 47 J 1/10W		
R646,647			RK73GB2A470J	CHIP R 47 J 1/10W		
R654-659			RK73GB2A101J	CHIP R 100 J 1/10W		
R660-667			RK73GB2A103J	CHIP R 10K J 1/10W		
R668,669			RK73GB2A102J	CHIP R 1.0K J 1/10W		
R670,671			RK73GB2A152J	CHIP R 1.5K J 1/10W		
R672,673			RK73GB2A222J	CHIP R 2.2K J 1/10W		
R674,675			RK73GB2A332J	CHIP R 3.3K J 1/10W		
R676,677			RK73GB2A472J	CHIP R 4.7K J 1/10W		
R678			RK73GB2A103J	CHIP R 10K J 1/10W		
R680			RK73GB2A470J	CHIP R 47 J 1/10W		
R682			RD14BB2C4R7J	RD 4.7 J 1/6W		
R683			RK73GB2A472J	CHIP R 4.7K J 1/10W		
R689			RK73GB2A101J	CHIP R 100 J 1/10W		
SW602-614			S70-0140-08	SW,TACT G180040500010S		
VR602-604			T99-0714-08	SW,ENCODER G121162400080S		
D603-606			KDS4148U	D,SWITCHING CHI K005041480030S		
D607			MTZJ5.6B	D,ZENER K06005R644520S		
FLT601			HNA-11SM73	DISPLAY,FLT K530117300010S		
IC601			BU2090FS-E2	IC(SHIFT/STORE REGISTER)0020S		
IC602			SC16315	IC,LINEAR-DRIVE J127163150010S		
Q601			KRC107S-1	SEMI,CHIP TR/NP J522107S00210S		
Q603			KRC110S	SEMI,CHIP TR/NP J522011000210S		
REMO601		*	W02-4722-08	MODULE,REMOCON E940349003810S		
ELECTRIC PARTS (SUB TRANS)						
C866		*	C91-1768-08	CERAMIC 0.010UF 500WV		
C868			CK73GB1H103K	CHIP C 0.010UF K		
C869			CD04BJ1C221M	ELECTRO 220UF 16WV		
C870			CK73GB1H102K	CHIP C 1000PF K		
C877			C91-1753-08	CERAMIC 4700PF		
F801			F50-0371-08	FUSE GLASS TUBE N751223151110S		
FF801,802			J13-0097-08	HOLDER,FUSE CLI G645000050010S		
T802			L07-3395-08	POWER TRANS 8200280150570S		
T802			L07-3396-08	POWER TRANS 8200280150580S		E X

L: Scandinavia K: USA P: Canada R: Mexico C: China I: Malaysia
 Y: PX(Far East,Hawaii) T: England E: Europe G: Germany V: China(Shanghai)
 Y: AAFES(Europe) X: Australia Q: Russia H: Korea M: Other Areas Δ Indicates safety critical components.

* New parts

Parts without **Parts No.** are not supplied.Les articles non mentionnés dans le **Parts No.** ne sont pas fournis.Teile ohne **Parts No.** werden nicht geliefert.

9

Ref. No.	Add-ress	New Parts	Parts No.	Description	Desti-nation	Re-marks
R813			RK73GB2A472J	CHIP R 4.7K J 1/10W		
R814			RK73GB2A473J	CHIP R 47K J 1/10W		
SW25			S76-0156-08	RELAY G680060502010S		
D804			KDS4148U	D,SWITCHING CHI K005041480030S		
D805-808			1N4007	D,SWITCHING K000400700010S		
Q815			KTC3875Y-1	SEMI,CHIP TR/NP J5223875Y0210S		
ELECTRIC PARTS (VOL ENCODER)						
C607,608			CK73GB1H103K	CHIP C 0.010UF K		
C609			CK73GB1H104K	CHIP C 0.10UF K		
R644,645			RK73GB2A101J	CHIP R 100 J 1/10W		
R648,649			RK73GB2A103J	CHIP R 10K J 1/10W		
R652			RK73GB2A103J	CHIP R 10K J 1/10W		
SW601			S70-0140-08	SW,TACT G180040500010S		
VR601			T99-0713-08	SW,ENCODER G121162400060S		
ELECTRIC PARTS (HEADPHONE)						
C625,626			CC73GCH1H471J	CHIP C 470PF J		
C627			CK73GB1H104K	CHIP C 0.10UF K		
C640		*	C90-5946-08	CHIP C 0.056UF K		
JACK604			E11-1024-08	JACK,D6.5 G402040161331S		
DB601			L92-0885-08	COIL,BEAD D340160811210S		
ELECTRIC PARTS (GUIDE)						
CN901		*	E41-4045-08	CN,WAFER 2.0MM L101100031210S		
CP900		*	E41-4044-08	CN,WAFER 2.0MM L101100041210S		
ELECTRIC PARTS (AUX)						
C613			CD04BJ1H100M	ELECTRO 10UF 50WV		
C614,615			CC73GCH1H471J	CHIP C 470PF J		
C616			CD04BJ1H100M	ELECTRO 10UF 50WV		
C617			CD04AS1C470M	ELECTRO 47UF 16WV		
C624			CK73GB1H104K	CHIP C 0.10UF K		
C629,630			CC73GCH1H221J	CHIP C 220PF J		
C632-634			CK73GB1H104K	CHIP C 0.10UF K		
C637			CK73GB1H104K	CHIP C 0.10UF K		
C638,639		*	C90-5946-08	CHIP C 0.056UF K		
JACK601			E63-1440-08	TER,RCA 3PIN G606308HG111YS		
BD601-604			L92-0884-08	COIL,BEAD D340201200050S		
R650,651			RK73GB2A471J	CHIP R 470 J 1/10W		
R653			RK73GB2A750J	CHIP R 75 J 1/10W		
R679			RK73GB2A473J	CHIP R 47K J 1/10W		
R681			RK73GB2A473J	CHIP R 47K J 1/10W		
D601,602			KDS4148U	D,SWITCHING CHI K005041480030S		
ELECTRIC PARTS (OP AMP)						
C702			CC73GCH1H101J	CHIP C 100PF J		
C704SW			CK73GB1C224K	CHIP C 0.22UF K	5	
C705C,SW			CD04BJ1H100M	ELECTRO 10UF 50WV		
C705FL,FR			CD04BJ1H100M	ELECTRO 10UF 50WV		
C705SL,SR			CD04BJ1H100M	ELECTRO 10UF 50WV		
C706			CC73GCH1H101J	CHIP C 100PF J		
C707			CK73GB1H103K	CHIP C 0.010UF K		

L: Scandinavia

K: USA

P: Canada

R: Mexico

C: China

I: Malaysia

Y: PX(Far East,Hawaii)

T: England

E: Europe

G: Germany

V: China(Shanghai)

Y: AAFES(Europe)

X: Australia

Q: Russia

H: Korea

M: Other Areas

△ Indicates safety critical components.

* New parts

Parts without **Parts No.** are not supplied.Les articles non mentionnés dans le **Parts No.** ne sont pas fournis.Teile ohne **Parts No.** werden nicht geliefert.

10

Ref. No.	Add-ress	New Parts	Parts No.	Description	Desti-nation	Re-marks
C711			CK73GB1H103K	CHIP C 0.010UF K		
C712			CC73GCH1H101J	CHIP C 100PF J		
C715			CC73GCH1H101J	CHIP C 100PF J		
C717			CC73GCH1H101J	CHIP C 100PF J		
C718			CK73GB1H103K	CHIP C 0.010UF K		
C721			CK73GB1H103K	CHIP C 0.010UF K		
C722			CC73GCH1H101J	CHIP C 100PF J	6	
C722			CK73GB1C224K	CHIP C 0.22UF K	5	
C724			CK73GB1H103K	CHIP C 0.010UF K		
C726			CK73GB1H103K	CHIP C 0.010UF K		
CN700		*	E41-4046-08	CN,WAFER 2.0MM L101100032010S		
J701,702			RK73EB2E000J	CHIP R 0.0 J 1/4W		
J711-714			RK73EB2E000J	CHIP R 0.0 J 1/4W		
J716-719			RK73EB2E000J	CHIP R 0.0 J 1/4W		
J722,723			RK73EB2E000J	CHIP R 0.0 J 1/4W		
J726			RK73EB2E000J	CHIP R 0.0 J 1/4W		
J728-730			RK73GB2A000J	CHIP R 0.0 J 1/10W		
R702C,SW			RK73GB2A102J	CHIP R 1.0K J 1/10W		
R702FL,FR			RK73GB2A102J	CHIP R 1.0K J 1/10W		
R702SL,SR			RK73GB2A102J	CHIP R 1.0K J 1/10W		
R703C,SW			RK73GB2A472J	CHIP R 4.7K J 1/10W		
R703FL,FR			RK73GB2A472J	CHIP R 4.7K J 1/10W		
R704C			RK73GB2A432J	CHIP R 4.3K J 1/10W		
R704FL,FR			RK73GB2A432J	CHIP R 4.3K J 1/10W		
R704SL,SR			RK73GB2A432J	CHIP R 4.3K J 1/10W		
R704SW			RK73GB2A202J	CHIP R 2.0K J 1/10W	6	
R704SW			RK73GB2A432J	CHIP R 4.3K J 1/10W		
R705C,SW			RK73GB2A102J	CHIP R 1.0K J 1/10W		
R705FL,FR			RK73GB2A102J	CHIP R 1.0K J 1/10W		
R705SL,SR			RK73GB2A102J	CHIP R 1.0K J 1/10W		
R706C,SW			RK73GB2A473J	CHIP R 47K J 1/10W		
R706FL,FR			RK73GB2A473J	CHIP R 47K J 1/10W		
R706SL,SR			RK73GB2A473J	CHIP R 47K J 1/10W		
R707C,SW			RK73GB2A102J	CHIP R 1.0K J 1/10W		
R707FL,FR			RK73GB2A102J	CHIP R 1.0K J 1/10W		
R707SL,SR			RK73GB2A102J	CHIP R 1.0K J 1/10W		
R708C,SW			RK73GB2A223J	CHIP R 22K J 1/10W		
R708FL,FR			RK73GB2A223J	CHIP R 22K J 1/10W		
R708SL,SR			RK73GB2A223J	CHIP R 22K J 1/10W		
R709C,SW			RK73GB2A104J	CHIP R 100K J 1/10W		
R709FL,FR			RK73GB2A104J	CHIP R 100K J 1/10W		
R709SL,SR			RK73GB2A104J	CHIP R 100K J 1/10W		
R710C,SW			RK73GB2A104J	CHIP R 100K J 1/10W		
R710FL,FR			RK73GB2A104J	CHIP R 100K J 1/10W		
R710SL,SR			RK73GB2A104J	CHIP R 100K J 1/10W		
D417-428			KDS4148U	D,SWITCHING CHI K005041480030S		
IC701-703			NJM2068M	IC,LINEAR OP J121206800020S		
Q701C,SW			KTC2875B-1	SEMI,CHIP TR/NP J5222875B0010S		
Q701FL,FR			KTC2875B-1	SEMI,CHIP TR/NP J5222875B0010S		
Q701SL,SR			KTC2875B-1	SEMI,CHIP TR/NP J5222875B0010S		
ELECTRIC PARTS (AMP)						
C201C,SW			C91-1757-08	CERAMIC 100PF K		
C201FL,FR			C91-1757-08	CERAMIC 100PF K		

L: Scandinavia

K: USA

P: Canada

R: Mexico

C: China

I: Malaysia

Y: PX(Far East,Hawaii)

T: England

E: Europe

G: Germany

V: China(Shanghai)

Y: AAFES(Europe)

X: Australia

Q: Russia

H: Korea

M: Other Areas

△ Indicates safety critical components.

* New parts

Parts without **Parts No.** are not supplied.

Les articles non mentionnes dans le **Parts No.** ne sont pas fournis.

Teile ohne **Parts No.** werden nicht geliefert.



Ref. No.	Add-ress	New Parts	Parts No.	Description	Desti-nation	Re-marks
C201SL,SR			C91-1757-08	CERAMIC 100PF K		
C202C,SW			CD04BJ1H470M	ELECTRO 47UF 50WV		
C202FL,FR			CD04BJ1H470M	ELECTRO 47UF 50WV		
C202SL,SR			CD04BJ1H470M	ELECTRO 47UF 50WV		
C203C,SW		*	C91-1769-08	CERAMIC 220PF 500WV		
C203FL,FR		*	C91-1769-08	CERAMIC 220PF 500WV		
C203SL,SR		*	C91-1769-08	CERAMIC 220PF 500WV		
C204C,SW		*	C91-1770-08	CERAMIC 33PF 500WV		
C204FL,FR		*	C91-1770-08	CERAMIC 33PF 500WV		
C204SL,SR		*	C91-1770-08	CERAMIC 33PF 500WV		
C206C,SW			CD04BJ1H100M	ELECTRO 10UF 50WV		
C206FL,FR			CD04BJ1H100M	ELECTRO 10UF 50WV		
C206SL,SR			CD04BJ1H100M	ELECTRO 10UF 50WV		
C207C,SW			CD04BJ1A101M	ELECTRO 100UF 10WV		
C207FL,FR			CD04BJ1A101M	ELECTRO 100UF 10WV		
C207SL,SR			CD04BJ1A101M	ELECTRO 100UF 10WV		
C208C,SW			CD04BJ1H100M	ELECTRO 10UF 50WV		
C208FL,FR			CD04BJ1H100M	ELECTRO 10UF 50WV		
C208SL,SR			CD04BJ1H100M	ELECTRO 10UF 50WV		
C209C,SW			CK45FB1H471K	CERAMIC 470PF K		
C209FL,FR			CK45FB1H471K	CERAMIC 470PF K		
C209SL,SR			CK45FB1H471K	CERAMIC 470PF K		
C210C,SW		*	C91-1771-08	CERAMIC 1000PF K		
C210FL,FR		*	C91-1771-08	CERAMIC 1000PF K		
C210SL,SR		*	C91-1771-08	CERAMIC 1000PF K		
C211C,SW			C91-1757-08	CERAMIC 100PF K		
C211FL,FR			C91-1757-08	CERAMIC 100PF K		
C211SL,SR			C91-1757-08	CERAMIC 100PF K		
C212,213			CD04BJ2A100M	ELECTRO 10UF 100WV		
C213C,SW		*	C91-1772-08	FILM 0.10UF 100WV		
C213FL,FR		*	C91-1772-08	FILM 0.10UF 100WV		
C213SL,SR		*	C91-1772-08	FILM 0.10UF 100WV		
C214		*	C90-5947-08	ELECTRO 10UF 16WV		
C214C,SW		*	C91-1772-08	FILM 0.10UF 100WV		
C214FL,FR		*	C91-1772-08	FILM 0.10UF 100WV		
C214SL,SR		*	C91-1772-08	FILM 0.10UF 100WV		
C215C,SW		*	C90-5948-08	ELECTRO 2.2UF 100WV		
C215FL,FR		*	C90-5948-08	ELECTRO 2.2UF 100WV		
C215SL,SR		*	C90-5948-08	ELECTRO 2.2UF 100WV		
L201C,SW			L39-1634-08	COIL,FILTER-IND D330900001330S		
L201FL,FR			L39-1634-08	COIL,FILTER-IND D330900001330S		
L201SL,SR			L39-1634-08	COIL,FILTER-IND D330900001330S		
R201C,SW		*	R92-4780-08	RD 7.5K J 1/5W		
R201FL,FR		*	R92-4780-08	RD 7.5K J 1/5W		
R201SL,SR		*	R92-4780-08	RD 7.5K J 1/5W		
R202C,SW			R92-4735-08	RS 5.6K J 1W		
R202FL,FR			R92-4735-08	RS 5.6K J 1W		
R202SL,SR			R92-4735-08	RS 5.6K J 1W		
R203C,SW		*	R92-4773-08	RD 2.2K J 1/5W		
R203FL,FR		*	R92-4773-08	RD 2.2K J 1/5W		
R203SL,SR		*	R92-4773-08	RD 2.2K J 1/5W		
R204C,SW		*	R92-4781-08	RD 470K J 1/5W		
R204FL,FR		*	R92-4781-08	RD 470K J 1/5W		
R204SL,SR		*	R92-4781-08	RD 470K J 1/5W		

L: Scandinavia K: USA P: Canada R: Mexico C: China I: Malaysia
 Y: PX(Far East,Hawaii) T: England E: Europe G: Germany V: China(Shanghai)
 Y: AAFES(Europe) X: Australia Q: Russia H: Korea M: Other Areas ΔIndicates safety critical components.

* New parts

Parts without **Parts No.** are not supplied.

Les articles non mentionnes dans le **Parts No.** ne sont pas fournis.

Teile ohne **Parts No.** werden nicht geliefert.



Ref. No.	Add-ress	New Parts	Parts No.	Description	Desti-nation	Re-marks
R205C,SW			R92-4736-08	RN 4.7 J 1/4W		
R205FL,FR			R92-4736-08	RN 4.7 J 1/4W		
R205SL,SR			R92-4736-08	RN 4.7 J 1/4W		
R206C,SW		*	R92-4782-08	RD 18K J 1/5W		
R206FL,FR		*	R92-4782-08	RD 18K J 1/5W		
R206SL,SR		*	R92-4782-08	RD 18K J 1/5W		
R207C,SW			R92-4735-08	RS 5.6K J 1W		
R207FL,FR			R92-4735-08	RS 5.6K J 1W		
R207SL,SR			R92-4735-08	RS 5.6K J 1W		
R208C,SW		*	R92-4776-08	RD 820 J 1/5W		
R208FL,FR		*	R92-4776-08	RD 820 J 1/5W		
R208SL,SR		*	R92-4776-08	RD 820 J 1/5W		
R209C,SW		*	R92-4783-08	RS 0.47 J 2W		
R209FL,FR		*	R92-4783-08	RS 0.47 J 2W		
R209SL,SR		*	R92-4783-08	RS 0.47 J 2W		
R210C,SW		*	R92-4783-08	RS 0.47 J 2W		
R210FL,FR		*	R92-4783-08	RS 0.47 J 2W		
R210SL,SR		*	R92-4783-08	RS 0.47 J 2W		
R211C,SW		*	R92-4784-08	RD 220 J 1/5W		
R211FL,FR		*	R92-4784-08	RD 220 J 1/5W		
R211SL,SR		*	R92-4784-08	RD 220 J 1/5W		
R212C,SW		*	R92-4785-08	RD 36K J 1/5W		
R212FL,FR		*	R92-4785-08	RD 36K J 1/5W		
R212SL,SR		*	R92-4785-08	RD 36K J 1/5W		
R213C,SW		*	R92-4786-08	RD 3.0K J 1/5W		
R213FL,FR		*	R92-4786-08	RD 3.0K J 1/5W		
R213SL,SR		*	R92-4786-08	RD 3.0K J 1/5W		
R214C,SW			R92-4737-08	RS 10 J 1W		
R214FL,FR			R92-4737-08	RS 10 J 1W		
R214SL,SR			R92-4737-08	RS 10 J 1W		
R215C,SW		*	R92-4783-08	RS 0.47 J 2W		
R215FL,FR		*	R92-4783-08	RS 0.47 J 2W		
R215SL,SR		*	R92-4783-08	RS 0.47 J 2W		
R216C,SW		*	R92-4783-08	RS 0.47 J 2W		
R216FL,FR		*	R92-4783-08	RS 0.47 J 2W		
R216SL,SR		*	R92-4783-08	RS 0.47 J 2W		
R218C,SW		*	R92-4787-08	RD 33K J 1/5W		
R218FL,FR		*	R92-4787-08	RD 33K J 1/5W		
R218SL,SR		*	R92-4787-08	RD 33K J 1/5W		
R219C,SW		*	R92-4788-08	RD 330K J 1/5W		
R219FL,FR		*	R92-4788-08	RD 330K J 1/5W		
R219SL,SR		*	R92-4788-08	RD 330K J 1/5W		
R220C,SW		*	R92-4789-08	RD 560 J 1/5W		
R220FL,FR		*	R92-4789-08	RD 560 J 1/5W		
R220SL,SR		*	R92-4789-08	RD 560 J 1/5W		
R221C,SW		*	R92-4790-08	RD 1.6K J 1/5W		
R221FL,FR		*	R92-4790-08	RD 1.6K J 1/5W		
R221SL,SR		*	R92-4790-08	RD 1.6K J 1/5W		
R223C,SW			R92-4736-08	RN 4.7 J 1/4W		
R223FL,FR			R92-4736-08	RN 4.7 J 1/4W		
R223SL,SR			R92-4736-08	RN 4.7 J 1/4W		
R224C,SW			R92-4734-08	RN 47 J 1/4W		
R224FL,FR			R92-4734-08	RN 47 J 1/4W		
R224SL,SR			R92-4734-08	RN 47 J 1/4W		
R225C,SW		*	R92-4791-08	RD 1.2K J 1/5W		

L: Scandinavia K: USA P: Canada R: Mexico C: China I: Malaysia
 Y: PX(Far East,Hawaii) T: England E: Europe G: Germany V: China(Shanghai)
 Y: AAFES(Europe) X: Australia Q: Russia H: Korea M: Other Areas ΔIndicates safety critical components.

* New parts

Parts without **Parts No.** are not supplied.Les articles non mentionnés dans le **Parts No.** ne sont pas fournis.Teile ohne **Parts No.** werden nicht geliefert.

13

Ref. No.	Add-ress	New Parts	Parts No.	Description	Desti-nation	Re-marks
R225FL,FR	*		R92-4791-08	RD 1.2K J 1/5W		
R225SL,SR	*		R92-4791-08	RD 1.2K J 1/5W		
R226C,SW	*		R92-4792-08	RD 470 J 1/5W		
R226FL,FR	*		R92-4792-08	RD 470 J 1/5W		
R226SL,SR	*		R92-4792-08	RD 470 J 1/5W		
R227			R92-4732-08	RS 10 J 1W		
R228C,SW	*		R92-4793-08	RS 10 J 1W		
R228FL,FR	*		R92-4793-08	RS 10 J 1W		
R228SL,SR	*		R92-4793-08	RS 10 J 1W		
R229			R92-4732-08	RS 10 J 1W		
VR201C	*		R32-0181-08	VR,SEMI CARBON C541102315000S		
VR201FL	*		R32-0181-08	VR,SEMI CARBON C541102315000S		
VR201FR	*		R32-0181-08	VR,SEMI CARBON C541102315000S		
VR201SL	*		R32-0181-08	VR,SEMI CARBON C541102315000S		
VR201SR	*		R32-0181-08	VR,SEMI CARBON C541102315000S		
VR201SW	*		R32-0181-08	VR,SEMI CARBON C541102315000S		
D201C,SW			1SS133T-72	D,SWITCHING K000013300520S		
D201FL,FR			1SS133T-72	D,SWITCHING K000013300520S		
D201SL,SR			1SS133T-72	D,SWITCHING K000013300520S		
Q201C,SW			2SD2390-Y	SEMI,TR/GE NPN J5032390Y0000S		
Q201FL,FR			2SD2390-Y	SEMI,TR/GE NPN J5032390Y0000S		
Q201SL,SR			2SD2390-Y	SEMI,TR/GE NPN J5032390Y0000S		
Q202C,SW			KTC3200BL-1	SEMI,TR/GE NPN J5023200B0050S		
Q202FL,FR			KTC3200BL-1	SEMI,TR/GE NPN J5023200B0050S		
Q202SL,SR			KTC3200BL-1	SEMI,TR/GE NPN J5023200B0050S		
Q203C,SW			KSA992F-1	SEMI,TR/GE PNP J5000992F0050S		
Q203FL,FR			KSA992F-1	SEMI,TR/GE PNP J5000992F0050S		
Q203SL,SR			KSA992F-1	SEMI,TR/GE PNP J5000992F0050S		
Q204C,SW			KSA992F-1	SEMI,TR/GE PNP J5000992F0050S		
Q204FL,FR			KSA992F-1	SEMI,TR/GE PNP J5000992F0050S		
Q204SL,SR			KSA992F-1	SEMI,TR/GE PNP J5000992F0050S		
Q205C,SW	*		KTC3964	SEMI,TR/GE NPN J502396400010S		
Q205FL,FR	*		KTC3964	SEMI,TR/GE NPN J502396400010S		
Q205SL,SR	*		KTC3964	SEMI,TR/GE NPN J502396400010S		
Q206C,SW			KTC3200BL-1	SEMI,TR/GE NPN J5023200B0050S		
Q206FL,FR			KTC3200BL-1	SEMI,TR/GE NPN J5023200B0050S		
Q206SL,SR			KTC3200BL-1	SEMI,TR/GE NPN J5023200B0050S		
Q207C,SW			2SB1560-Y	SEMI,TR/GE PNP J5011560Y0000S		
Q207FL,FR			2SB1560-Y	SEMI,TR/GE PNP J5011560Y0000S		
Q207SL,SR			2SB1560-Y	SEMI,TR/GE PNP J5011560Y0000S		
ELECTRIC PARTS (DSP)						
C701,702			CD04AT1C100M	ELECTRO 10UF 16WV		
C703			CK73GB1H104K	CHIP C 0.10UF K		
C704			CC73GCH1H221J	CHIP C 220PF J		
C705			CK73GB1H104K	CHIP C 0.10UF K		
C706			CD04BJ0J471M	ELECTRO 470UF 6.3WV		
C707			CK73GB1H104K	CHIP C 0.10UF K		
C707SL			CC73GCH1H681J	CHIP C 680PF J		
C708RL			CC73GCH1H681J	CHIP C 680PF J		
C709C			CC73GCH1H681J	CHIP C 680PF J		
C710FL			CC73GCH1H681J	CHIP C 680PF J		
C711SL			CD04AT1C100M	ELECTRO 10UF 16WV		
C712RL			CD04AT1C100M	ELECTRO 10UF 16WV		
C713C			CD04AT1C100M	ELECTRO 10UF 16WV		

L: Scandinavia

K: USA

P: Canada

R: Mexico

C: China

I: Malaysia

Y: PX(Far East,Hawaii)

T: England

E: Europe

G: Germany

V: China(Shanghai)

Y: AAFES(Europe)

X: Australia

Q: Russia

H: Korea

M: Other Areas

△ Indicates safety critical components.

* New parts

Parts without **Parts No.** are not supplied.Les articles non mentionnés dans le **Parts No.** ne sont pas fournis.Teile ohne **Parts No.** werden nicht geliefert.

14

Ref. No.	Add-ress	New Parts	Parts No.	Description	Desti-nation	Re-marks
C714FL			CD04AT1C100M	ELECTRO 10UF 16WV		
C715SL			CD04AT1C100M	ELECTRO 10UF 16WV		
C716RL			CD04AT1C100M	ELECTRO 10UF 16WV		
C717C			CD04AT1C100M	ELECTRO 10UF 16WV		
C718FL			CD04AT1C100M	ELECTRO 10UF 16WV		
C719SL			CC73GCH1H681J	CHIP C 680PF J		
C720RL			CC73GCH1H681J	CHIP C 680PF J		
C721C			CC73GCH1H681J	CHIP C 680PF J		
C722FL			CC73GCH1H681J	CHIP C 680PF J		
C723SL			CK73GB1H332K	CHIP C 3300PF K		
C724RL			CK73GB1H332K	CHIP C 3300PF K		
C725C			CK73GB1H332K	CHIP C 3300PF K		
C726FL			CK73GB1H332K	CHIP C 3300PF K		
C727			CD04BJ1C470M	ELECTRO 47UF 16WV		
C728			CK73GB1H104K	CHIP C 0.10UF K		
C729SR			CC73GCH1H681J	CHIP C 680PF J		
C730SB			CC73GCH1H681J	CHIP C 680PF J		
C731S			CC73GCH1H681J	CHIP C 680PF J		
C732FR			CC73GCH1H681J	CHIP C 680PF J		
C733SR			CD04AT1C100M	ELECTRO 10UF 16WV		
C734SB			CD04AT1C100M	ELECTRO 10UF 16WV		
C735S			CD04AT1C100M	ELECTRO 10UF 16WV		
C736FR			CD04AT1C100M	ELECTRO 10UF 16WV		
C737SR			CD04AT1C100M	ELECTRO 10UF 16WV		
C738SB			CD04AT1C100M	ELECTRO 10UF 16WV		
C739S			CD04AT1C100M	ELECTRO 10UF 16WV		
C740FR			CD04AT1C100M	ELECTRO 10UF 16WV		
C741			CD04BJ1H0R1M	ELECTRO 0.1UF 50WV		
C742SR			CC73GCH1H681J	CHIP C 680PF J		
C743SB			CC73GCH1H681J	CHIP C 680PF J		
C744S			CC73GCH1H681J	CHIP C 680PF J		
C745FR			CC73GCH1H681J	CHIP C 680PF J		
C746,747			CC73GCH1H200J	CHIP C 20PF J		
C748SR			CK73GB1H332K	CHIP C 3300PF K		
C749SB			CK73GB1H332K	CHIP C 3300PF K		
C750S			CK73GB1H332K	CHIP C 3300PF K		
C751FR			CK73GB1H332K	CHIP C 3300PF K		
C752			CC73GCH1H200J	CHIP C 20PF J		
C753			CD04BJ1C470M	ELECTRO 47UF 16WV		
C754,755			CK73GB1H104K	CHIP C 0.10UF K		
C756			CD04BJ0J471M	ELECTRO 470UF 6.3WV		
C757,758			CC73GCH1H220J	CHIP C 22PF J		
C759			CK73GB1H104K	CHIP C 0.10UF K		
C760			CD04BJ0J471M	ELECTRO 470UF 6.3WV		
C761			CK73GB1H102K	CHIP C 1000PF K		
C762,763			CK73GB1H104K	CHIP C 0.10UF K		
C764			CK73GB1H103K	CHIP C 0.010UF K		
C765-771			CK73GB1H104K	CHIP C 0.10UF K		
C772			CD04BJ1H2R2M	ELECTRO 2.2UF 50WV		
C773-775			CK73GB1H104K	CHIP C 0.10UF K		
C776			CD04BJ1H2R2M	ELECTRO 2.2UF 50WV		
C777,778			CK73GB1H104K	CHIP C 0.10UF K		
C779			CD04BJ1H2R2M	ELECTRO 2.2UF 50WV		
C780			CK73GB1H104K	CHIP C 0.10UF K		
C781			CD04BJ1H2R2M	ELECTRO 2.2UF 50WV		

L: Scandinavia

K: USA

P: Canada

R: Mexico

C: China

I: Malaysia

Y: PX(Far East,Hawaii)

T: England

E: Europe

G: Germany

V: China(Shanghai)

Y: AAFES(Europe)

X: Australia

Q: Russia

H: Korea

M: Other Areas

△ Indicates safety critical components.

* New parts

Parts without **Parts No.** are not supplied.

Les articles non mentionnes dans le **Parts No.** ne sont pas fournis.

Teile ohne **Parts No.** werden nicht geliefert.

15

Ref. No.	Add-ress	New Parts	Parts No.	Description	Desti-nation	Re-marks
C782,783			CK73GB1H104K	CHIP C 0.10UF K		
C784,785			CD04AT1A101M	ELECTRO 100UF 10WV		
C786-791			CK73GB1H104K	CHIP C 0.10UF K		
C792-794			CD04AT1A101M	ELECTRO 100UF 10WV		
C795-798			CK73GB1H104K	CHIP C 0.10UF K		
C799			CC73GCH1H150J	CHIP C 15PF J		
C799FL			CC73GCH1H100D	CHIP C 10PF D		
C800			CK73GB1H104K	CHIP C 0.10UF K		
C800FR			CC73GCH1H100D	CHIP C 10PF D		
C801			CC73GCH1H150J	CHIP C 15PF J		
C801C			CC73GCH1H100D	CHIP C 10PF D		
C802			CC73GCH1H100D	CHIP C 10PF D		
C802SL			CC73GCH1H100D	CHIP C 10PF D		
C803			CC73GCH1H080D	CHIP C 8.0PF D		
C803SR			CC73GCH1H100D	CHIP C 10PF D		
C804RL			CC73GCH1H100D	CHIP C 10PF D		
C805SB			CC73GCH1H100D	CHIP C 10PF D		
C806S			CC73GCH1H100D	CHIP C 10PF D		
C807-809			CC73GCH1H150J	CHIP C 15PF J		
C830			CD04BJ0J471M	ELECTRO 470UF 6.3WV		
C831			CK73GB1H103K	CHIP C 0.010UF K		
C840			CK45FF1H103Z	CERAMIC 0.010UF Z		
C841			CK73GB1H103K	CHIP C 0.010UF K		
C842			CD04BJ1H2R2M	ELECTRO 2.2UF 50WV		
C843			CD04BJ0J471M	ELECTRO 470UF 6.3WV		
C844-846			CK73GB1H103K	CHIP C 0.010UF K		
C847-849			CD04BJ1H2R2M	ELECTRO 2.2UF 50WV		
C851SL			CK73GB1H104K	CHIP C 0.10UF K		
C852RL			CK73GB1H104K	CHIP C 0.10UF K		
C853C			CK73GB1H104K	CHIP C 0.10UF K		
C854FL			CK73GB1H104K	CHIP C 0.10UF K		
C855SR			CK73GB1H104K	CHIP C 0.10UF K		
C856SB			CK73GB1H104K	CHIP C 0.10UF K		
C857S			CK73GB1H104K	CHIP C 0.10UF K		
C858FR			CK73GB1H104K	CHIP C 0.10UF K		
C863		*	C90-5949-08	ELECTRO 10UF 50WV		
C864			CK73GB1H103K	CHIP C 0.010UF K		
C865		*	C90-5949-08	ELECTRO 10UF 50WV		
C866			CK73GB1H103K	CHIP C 0.010UF K		
C871			CD04BJ1A101M	ELECTRO 100UF 10WV		
C872			CD04AT1C100M	ELECTRO 10UF 16WV		
C873			CK73GB1H104K	CHIP C 0.10UF K		
C874			CK73GB1H103K	CHIP C 0.010UF K		
C876			CK73GB1C224K	CHIP C 0.22UF K		
CN700		*	E41-4045-08	CN.WAFER 2.0MM L101100031210S		
CP702,703			E41-4007-08	CN.FPC 1.25MM L131112300010S		
CP704			E41-4014-08	CN.FPC 1.25MM L131112500010S		
CP705			E41-4012-08	CN.WAFER 2.0MM L101200101010S		
JACK701			E63-1441-08	TER,RCA 1PIN G600010003100S		
BD701-706			L92-0884-08	COIL,BEAD D340201200050S		
BD707-716			L92-0885-08	COIL,BEAD D340160811210S		
L119			L92-0884-08	COIL,BEAD D340201200050S		
L701			L90-0519-08	BEAD,COIL 7610035500030S		
X701			L77-2500-08	CRYSTAL E80012R288090S		

L: Scandinavia K: USA P: Canada R: Mexico C: China I: Malaysia
 Y: PX(Far East,Hawaii) T: England E: Europe G: Germany V: China(Shanghai)
 Y: AAFES(Europe) X: Australia Q: Russia H: Korea M: Other Areas Δ Indicates safety critical components.

* New parts

Parts without **Parts No.** are not supplied.

Les articles non mentionnes dans le **Parts No.** ne sont pas fournis.

Teile ohne **Parts No.** werden nicht geliefert.

16

Ref. No.	Add-ress	New Parts	Parts No.	Description	Desti-nation	Re-marks
J911-934			RK73GB2A000J	CHIP R 0.0 J 1/10W		
R214-217			L92-0885-08	COIL,BEAD D340160811210S		
R225,226			RK73GB2A681J	CHIP R 680 J 1/10W		
R609-612			RK73GB2A202J	CHIP R 2.0K J 1/10W		
R701-705			RK73GB2A101J	CHIP R 100 J 1/10W		
R706SL			RK73GB2A472J	CHIP R 4.7K J 1/10W		
R707SL			RK73GB2A472J	CHIP R 4.7K J 1/10W		
R708RL			RK73GB2A472J	CHIP R 4.7K J 1/10W		
R709RL			RK73GB2A472J	CHIP R 4.7K J 1/10W		
R710C			RK73GB2A472J	CHIP R 4.7K J 1/10W		
R711C			RK73GB2A472J	CHIP R 4.7K J 1/10W		
R712FL			RK73GB2A472J	CHIP R 4.7K J 1/10W		
R713FL			RK73GB2A472J	CHIP R 4.7K J 1/10W		
R714SL			RK73GB2A102J	CHIP R 1.0K J 1/10W		
R715RL			RK73GB2A102J	CHIP R 1.0K J 1/10W		
R716C			RK73GB2A102J	CHIP R 1.0K J 1/10W		
R717FL			RK73GB2A102J	CHIP R 1.0K J 1/10W		
R718			RK73GB2A101J	CHIP R 100 J 1/10W		
R719			RK73GB2A472J	CHIP R 4.7K J 1/10W		
R720			RK73GB2A000J	CHIP R 0.0 J 1/10W		
R720SL			RK73GB2A104J	CHIP R 100K J 1/10W		
R721RL			RK73GB2A104J	CHIP R 100K J 1/10W		
R722C			RK73GB2A104J	CHIP R 100K J 1/10W		
R723FL			RK73GB2A104J	CHIP R 100K J 1/10W		
R724			RK73GB2A101J	CHIP R 100 J 1/10W		
R725SL			RK73GB2A472J	CHIP R 4.7K J 1/10W		
R726RL			RK73GB2A472J	CHIP R 4.7K J 1/10W		
R727C			RK73GB2A472J	CHIP R 4.7K J 1/10W		
R728FL			RK73GB2A472J	CHIP R 4.7K J 1/10W		
R729SL			RK73GB2A104J	CHIP R 100K J 1/10W		
R730RL			RK73GB2A104J	CHIP R 100K J 1/10W		
R731C			RK73GB2A104J	CHIP R 100K J 1/10W		
R732FL			RK73GB2A104J	CHIP R 100K J 1/10W		
R733			RK73GB2A123J	CHIP R 12K J 1/10W		
R734SL			RK73GB2A472J	CHIP R 4.7K J 1/10W		
R735RL			RK73GB2A472J	CHIP R 4.7K J 1/10W		
R736C			RK73GB2A472J	CHIP R 4.7K J 1/10W		
R737FL			RK73GB2A472J	CHIP R 4.7K J 1/10W		
R738			RK73GB2A101J	CHIP R 100 J 1/10W		
R739			RK73GB2A472J	CHIP R 4.7K J 1/10W		
R740			RK73GB2A103J	CHIP R 10K J 1/10W		
R741			RK73GB2A470J	CHIP R 47 J 1/10W		
R742			RK73GB2A000J	CHIP R 0.0 J 1/10W		
R742SR			RK73GB2A472J	CHIP R 4.7K J 1/10W		
R743SR			RK73GB2A472J	CHIP R 4.7K J 1/10W		
R744SB			RK73GB2A472J	CHIP R 4.7K J 1/10W		
R745SB			RK73GB2A472J	CHIP R 4.7K J 1/10W		
R746S			RK73GB2A472J	CHIP R 4.7K J 1/10W		
R747S			RK73GB2A472J	CHIP R 4.7K J 1/10W		
R748FR			RK73GB2A472J	CHIP R 4.7K J 1/10W		
R749FR			RK73GB2A472J	CHIP R 4.7K J 1/10W		
R750SR			RK73GB2A102J	CHIP R 1.0K J 1/10W		
R751SB			RK73GB2A102J	CHIP R 1.0K J 1/10W		
R752S			RK73GB2A102J	CHIP R 1.0K J 1/10W		
R753FR			RK73GB2A102J	CHIP R 1.0K J 1/10W		

L: Scandinavia K: USA P: Canada R: Mexico C: China I: Malaysia
 Y: PX(Far East,Hawaii) T: England E: Europe G: Germany V: China(Shanghai)
 Y: AAFES(Europe) X: Australia Q: Russia H: Korea M: Other Areas Δ Indicates safety critical components.

PARTS LIST

KRF-V5450D/V6400D

* New parts

Parts without **Parts No.** are not supplied.Les articles non mentionnés dans le **Parts No.** ne sont pas fournis.Teile ohne **Parts No.** werden nicht geliefert.

17

Ref. No.	Add-ress	New Parts	Parts No.	Description	Desti-nation	Re-marks
R754SR			RK73GB2A104J	CHIP R 100K J 1/10W		
R755SB			RK73GB2A104J	CHIP R 100K J 1/10W		
R756S			RK73GB2A104J	CHIP R 100K J 1/10W		
R757FR			RK73GB2A104J	CHIP R 100K J 1/10W		
R758			RK73GB2A101J	CHIP R 100 J 1/10W		
R759			RK73GB2A470J	CHIP R 47 J 1/10W		
R760,761			RK73GB2A472J	CHIP R 4.7K J 1/10W		
R760SR			RK73GB2A472J	CHIP R 4.7K J 1/10W		
R761SB			RK73GB2A472J	CHIP R 4.7K J 1/10W		
R762S			RK73GB2A472J	CHIP R 4.7K J 1/10W		
R763FR			RK73GB2A472J	CHIP R 4.7K J 1/10W		
R764SR			RK73GB2A104J	CHIP R 100K J 1/10W		
R765SB			RK73GB2A104J	CHIP R 100K J 1/10W		
R766S			RK73GB2A104J	CHIP R 100K J 1/10W		
R767FR			RK73GB2A104J	CHIP R 100K J 1/10W		
R768			RK73GB2A470J	CHIP R 47 J 1/10W		
R769			RK73GB2A750J	CHIP R 75 J 1/10W		
R770			RK73GB2A103J	CHIP R 10K J 1/10W		
R771			RK73GB2A470J	CHIP R 47 J 1/10W		
R772SR			RK73GB2A472J	CHIP R 4.7K J 1/10W		
R773SB			RK73GB2A472J	CHIP R 4.7K J 1/10W		
R774S			RK73GB2A472J	CHIP R 4.7K J 1/10W		
R775FR			RK73GB2A472J	CHIP R 4.7K J 1/10W		
R776			RK73GB2A470J	CHIP R 47 J 1/10W		
R777,778			RK73GB2A103J	CHIP R 10K J 1/10W		
R779			RK73GB2A222J	CHIP R 2.2K J 1/10W		
R780-782			RK73GB2A470J	CHIP R 47 J 1/10W		
R783			RK73GB2A471J	CHIP R 470 J 1/10W		
R784-791			RK73GB2A470J	CHIP R 47 J 1/10W		
R792,793			RK73GB2A332J	CHIP R 3.3K J 1/10W		
R794			RK73GB2A103J	CHIP R 10K J 1/10W		
R795,796			RK73GB2A470J	CHIP R 47 J 1/10W		
R797			RK73GB2A105J	CHIP R 1.0M J 1/10W		
R798,799			RK73GB2A000J	CHIP R 0.0 J 1/10W		
R800,801			RK73GB2A471J	CHIP R 470 J 1/10W		
R802-814			RK73GB2A470J	CHIP R 47 J 1/10W		
R815,816			RK73GB2A103J	CHIP R 10K J 1/10W		
R817-821			RK73GB2A470J	CHIP R 47 J 1/10W		
R822			RK73GB2A471J	CHIP R 470 J 1/10W		
R823			RK73GB2A512J	CHIP R 5.1K J 1/10W		
R824-841			RK73GB2A470J	CHIP R 47 J 1/10W		
R842,843			RK73GB2A332J	CHIP R 3.3K J 1/10W		
R844			RK73GB2A470J	CHIP R 47 J 1/10W		
R845			RK73GB2A000J	CHIP R 0.0 J 1/10W		
R846-857			RK73GB2A470J	CHIP R 47 J 1/10W		
R858-860			RK73GB2A332J	CHIP R 3.3K J 1/10W		
R861,862			RK73GB2A470J	CHIP R 47 J 1/10W		
R863			RK73GB2A222J	CHIP R 2.2K J 1/10W		
R864,865			RK73GB2A101J	CHIP R 100 J 1/10W		
R866,867			RK73GB2A470J	CHIP R 47 J 1/10W		
R868-870			RK73GB2A100J	CHIP R 10 J 1/10W		
R871			RK73GB2A470J	CHIP R 47 J 1/10W		
R872-876			RK73GB2A100J	CHIP R 10 J 1/10W		
R896			RK73GB2A102J	CHIP R 1.0K J 1/10W		
R900			RK73GB2A332J	CHIP R 3.3K J 1/10W		

L: Scandinavia

K: USA

P: Canada

R: Mexico

C: China

I: Malaysia

Y: PX(Far East,Hawaii)

T: England

E: Europe

G: Germany

V: China(Shanghai)

Y: AAFES(Europe)

X: Australia

Q: Russia

H: Korea

M: Other Areas

△ Indicates safety critical components.

* New parts

Parts without **Parts No.** are not supplied.Les articles non mentionnés dans le **Parts No.** ne sont pas fournis.Teile ohne **Parts No.** werden nicht geliefert.

18

Ref. No.	Add-ress	New Parts	Parts No.	Description	Desti-nation	Re-marks
R901,902			RK73GB2A472J	CHIP R 4.7K J 1/10W		
R903			RK73GB2A104J	CHIP R 100K J 1/10W		
R904,905			RK73GB2A561J	CHIP R 560 J 1/10W		
R910			RK73GB2A102J	CHIP R 1.0K J 1/10W		
R911-920			RK73GB2A561J	CHIP R 560 J 1/10W		
R921			RK73GB2A102J	CHIP R 1.0K J 1/10W		
R922-930			RK73GB2A561J	CHIP R 560 J 1/10W		
R931			RK73GB2A224J	CHIP R 220K J 1/10W		
R932-938			RK73GB2A561J	CHIP R 560 J 1/10W		
R939			RK73GB2A103J	CHIP R 10K J 1/10W		
R939FL			RK73GB2A222J	CHIP R 2.2K J 1/10W		
R940			RK73GB2A222J	CHIP R 2.2K J 1/10W		
R941-948			RK73GB2A561J	CHIP R 560 J 1/10W		
R949			RK73GB2A103J	CHIP R 10K J 1/10W		
R949FR			RK73GB2A222J	CHIP R 2.2K J 1/10W		
R950			RK73GB2A223J	CHIP R 22K J 1/10W		
R951-958			RK73GB2A561J	CHIP R 560 J 1/10W		
R959			RK73GB2A133J	CHIP R 13K J 1/10W		
R959C			RK73GB2A222J	CHIP R 2.2K J 1/10W		
R960			RK73GB2A223J	CHIP R 22K J 1/10W		
R961			RK73GB2A133J	CHIP R 13K J 1/10W		
R961S			RK73GB2A222J	CHIP R 2.2K J 1/10W		
R962-965			RK73GB2A472J	CHIP R 4.7K J 1/10W		
R967,968			RK73GB2A561J	CHIP R 560 J 1/10W		
R970-974			RK73GB2A561J	CHIP R 560 J 1/10W		
R975			RK73GB2A224J	CHIP R 220K J 1/10W		
R976			RK73GB2A103J	CHIP R 10K J 1/10W		
R977			RK73GB2A222J	CHIP R 2.2K J 1/10W		
R978			RK73GB2A122J	CHIP R 1.2K J 1/10W		
R978RL			RK73GB2A222J	CHIP R 2.2K J 1/10W		
R979			RK73GB2A104J	CHIP R 100K J 1/10W		
R980			RK73GB2A122J	CHIP R 1.2K J 1/10W		
R981			RK73GB2A104J	CHIP R 100K J 1/10W		
R981SB			RK73GB2A222J	CHIP R 2.2K J 1/10W		
R983			RK73GB2A102J	CHIP R 1.0K J 1/10W		
R984SL			RK73GB2A222J	CHIP R 2.2K J 1/10W		
R986SR			RK73GB2A222J	CHIP R 2.2K J 1/10W		
R988			RK73GB2A104J	CHIP R 100K J 1/10W		
R989			RK73GB2A472J	CHIP R 4.7K J 1/10W		
R990			RK73GB2A104J	CHIP R 100K J 1/10W		
R991C			RK73GB2A000J	CHIP R 0.0 J 1/10W		
R991FL,FR			RK73GB2A000J	CHIP R 0.0 J 1/10W		
D701-711			1N4148WS-1	D.SWITCHING CHI K005041483230S		
D712			1S5133T-72	D.SWITCHING K000013300520S		
IC701			AK4588-1	IC,ANALOG J080458800010S		
IC702			SN74AHC04PWR	IC,LOGIC J040740400290S		
IC703			AT3664164P-6	IC,MEMORY-RAM J001366416410S		
IC704		*	SST25VF080-DSP	IC,DSP FLASH 8952KRF540010		
IC705			CS495313-CQZ	IC,ANALOG J080495313010S		
IC706			IL1117-3.3	IC,LINEAR-REGUL J126111700041S		
IC707			IL1117-1.8	IC,LINEAR-REGUL J126111710011S		
IC708,709			IL1117-3.3	IC,LINEAR-REGUL J126111700041S		
IC710		*	SN74LVC257APWR	IC,LOGIC J040742570030S		
IC711			BU2090FS-E2	IC(SHIFT/STORE REGISTER)0020S		

L: Scandinavia

K: USA

P: Canada

R: Mexico

C: China

I: Malaysia

Y: PX(Far East,Hawaii)

T: England

E: Europe

G: Germany

V: China(Shanghai)

Y: AAFES(Europe)

X: Australia

Q: Russia

H: Korea

M: Other Areas

△ Indicates safety critical components.

* New parts

Parts without **Parts No.** are not supplied.

Les articles non mentionnes dans le **Parts No.** ne sont pas fournis.

Teile ohne **Parts No.** werden nicht geliefert.

19

Ref. No.	Add-ress	New Parts	Parts No.	Description	Desti-nation	Re-marks
IC712 IC714 IC714 IC715 IC717-720		*	M24C64-WMN6TP UPD78F0537-545 UPD78F0537-640 KIA7031AP NJM2068M	IC, MEMORY-EEPROM IC, MAIN UCOM IC, MAIN UCOM IC, LINEAR-RESET IC, LINEAR OP	J000240640010S 8952KRF540020 8952KRF640020 J125703100010S J121206800020S	5 6
IC722 Q708 Q709 Q710 Q711-713			NJM2068M KRA102S KTC2875B-1 KRC107S-1 KTC2875B-1	IC, LINEAR OP SEMI,CHIP TR/NP SEMI,CHIP TR/NP SEMI,CHIP TR/NP SEMI,CHIP TR/NP	J121206800020S J520010200210S J5222875B0010S J522107S00210S J5222875B0010S	
Q714 Q715-718 Q719 ZD100			KTC3875Y-1 KTC2875B-1 KRC107S-1 MTZJ2.4B	SEMI,CHIP TR/NP SEMI,CHIP TR/NP SEMI,CHIP TR/NP D,ZENER	J5223875Y0210S J5222875B0010S J522107S00210S K06002R444520S	
OPT701,02			W02-4709-08	MODULE	E100116500040S	
ELECTRIC PARTS (LED)						
LED603,04 LED606 LED607,08			B30-2730-08 B30-2730-08 B30-2731-08	LED,THICK LED,THICK LED,THICK	K520021020010S K520021020010S K520127190010S	
R603,604 R606 R607,608 R683,684 R686			RK73GB2A122J RK73GB2A122J RK73GB2A472J RK73GB2A101J RK73GB2A101J	CHIP R CHIP R CHIP R CHIP R CHIP R	1.2K J 1/10W 1.2K J 1/10W 4.7K J 1/10W 100 J 1/10W 100 J 1/10W	
R687,688			RK73GB2A102J	CHIP R	1.0K J 1/10W	
Q602,603 Q605-607			KRC110S KRC110S	SEMI,CHIP TR/NP SEMI,CHIP TR/NP	J522011000210S J522011000210S	
ELECTRIC PARTS (HDMI)						
C1001,02 C1101 C1102,03 C1104 C1105		*	CC73HCH1H102J C90-5950-08 CK73GB1H104K C90-5951-08 CK73GB1H104K	CHIP C ELECTRO CHIP C ELECTRO CHIP C	1000PF J 100UF 6.3WV 0.10UF K 220UF 6.3WV 0.10UF K	
C1106,07 C1108 C1109,10 C1111,12 C1113			CC73HCH1H102J CK73GB1H103K CC73GCH1H200J CK73GB1H104K CK73GB1H103K	CHIP C CHIP C CHIP C CHIP C CHIP C	1000PF J 0.010UF K 20PF J 0.10UF K 0.010UF K	
C1114-17 C1118 C1119 C1120-23 C1124		*	CK73GB1H104K C90-5951-08 C90-5952-08 CK73GB1H104K C90-5951-08	CHIP C ELECTRO ELECTRO CHIP C ELECTRO	0.10UF K 220UF 6.3WV 10UF 16WV 0.10UF K 220UF 6.3WV	
C1125 C1126-30 C1201 C1202,03 C1204		*	C90-5952-08 CK73GB1H104K C90-5952-08 CK73GB1H104K C90-5952-08	ELECTRO CHIP C ELECTRO CHIP C ELECTRO	10UF 16WV 0.10UF K 10UF 16WV 0.10UF K 10UF 16WV	
C1205,06 C1207 C1209 C1210 C1211		*	CK73GB1H104K CC73HCH1H102J C90-5952-08 CK73GB1H104K C90-5950-08	CHIP C CHIP C ELECTRO CHIP C ELECTRO	0.10UF K 1000PF J 10UF 16WV 0.10UF K 100UF 6.3WV	

L: Scandinavia K: USA P: Canada R: Mexico C: China I: Malaysia
 Y: PX(Far East,Hawaii) T: England E: Europe G: Germany V: China(Shanghai)
 Y: AAFES(Europe) X: Australia Q: Russia H: Korea M: Other Areas

Δ Indicates safety critical components.

* New parts

Parts without **Parts No.** are not supplied.

Les articles non mentionnes dans le **Parts No.** ne sont pas fournis.

Teile ohne **Parts No.** werden nicht geliefert.

20

Ref. No.	Add-ress	New Parts	Parts No.	Description	Desti-nation	Re-marks
C1212,13 C1214 C1215 C1216 C1217		*	CK73GB1H104K C90-5952-08 CK73GB1H104K C90-5952-08 CC73HCH1H102J	CHIP C ELECTRO CHIP C ELECTRO CHIP C	0.10UF K 10UF 16WV 0.10UF K 10UF 16WV 1000PF J	
C1218 C1219 C1220 C1221 C1222		*	C90-5952-08 C90-5950-08 CC73HCH1H102J CK73GB1H104K CC73HCH1H102J	ELECTRO ELECTRO CHIP C CHIP C CHIP C	10UF 16WV 100UF 6.3WV 1000PF J 0.10UF K 1000PF J	
C1223-26 C1402 C1403 C1404 C1405		*	CK73GB1H104K C90-5953-08 CK73GB1H104K CK73GB1H103K C90-5950-08	CHIP C CHIP C CHIP C CHIP C ELECTRO	0.10UF K 220PF J 0.10UF K 0.010UF K 100UF 6.3WV	
C1406 C1407,08 C1409 C1410		*	CK73GB1H103K CC73GCH1H100D CK73GB1H103K C90-5954-08	CHIP C CHIP C CHIP C ELECTRO	0.010UF K 10PF D 0.010UF K 1.0UF 50WV	
JACK1001 JACK1002 JACK1004		*	E41-4047-08 E41-4047-08 E41-4047-08	CN.WAFER CN.WAFER CN.WAFER	L109100190050S L109100190050S L109100190050S	
BD1000 L1101-06 L1201-06 X1001 X1401		*	L92-0896-08 RK73GB2A000J RK73GB2A000J L77-4510-08 L77-4511-08	COIL,BEAD R,CHIP THICK R,CHIP THICK CRYSTAL CHIP CRYSTAL CHIP	D340100562410S C2000006M160S C2000006M160S E80527R00010S E80516R000010S	
R1003,04 R1008,09 R1016,17 R1109-24 R1126			RK73HB1J473J RK73HB1J473J RK73HB1J000J RK73HB1J5R6J RK73HB1J105J	CHIP R CHIP R CHIP R CHIP R CHIP R	47K J 1/16W 47K J 1/16W 0.0 J 1/16W 5.6 J 1/16W 1.0M J 1/16W	
R1127 R1129 R1131 R1132 R1133			RK73HB1J000J RK73HB1J472J RK73HB1J472J RK73HB1J101J RK73HB1J471J	CHIP R CHIP R CHIP R CHIP R CHIP R	0.0 J 1/16W 4.7K J 1/16W 4.7K J 1/16W 100 J 1/16W 470 J 1/16W	
R1134 R1135,36 R1138,39 R1140-43 R1146-91			RK73HB1J101J RK73HB1J100J RK73HB1J472J RK73HB1J100J RK73HB1J100J	CHIP R CHIP R CHIP R CHIP R CHIP R	100 J 1/16W 10 J 1/16W 4.7K J 1/16W 10 J 1/16W 10 J 1/16W	
R1192 R1193,94 R1195,96 R1201,02 R1203			RK73HB1J101J RK73HB1J470J RK73HB1J472J RK73HB1J472J RK73HB1J000J	CHIP R CHIP R CHIP R CHIP R CHIP R	100 J 1/16W 47 J 1/16W 4.7K J 1/16W 4.7K J 1/16W 0.0 J 1/16W	
R1204 R1205 R1206 R1207,08 R1209			RK73HB1J472J RK73HB1J152J RK73HH1J132D RK73HB1J000J RK73HB1J472J	CHIP R CHIP R CHIP R CHIP R CHIP R	4.7K J 1/16W 1.5K J 1/16W 1.3K D 1/16W 0.0 J 1/16W 4.7K J 1/16W	
R1210 R1211			RK73HB1J473J RK73HB1J102J	CHIP R CHIP R	47K J 1/16W 1.0K J 1/16W	

L: Scandinavia K: USA P: Canada R: Mexico C: China I: Malaysia
 Y: PX(Far East,Hawaii) T: England E: Europe G: Germany V: China(Shanghai)
 Y: AAFES(Europe) X: Australia Q: Russia H: Korea M: Other Areas

Δ Indicates safety critical components.

PARTS LIST

KRF-V5450D/V6400D

* New parts
 Parts without **Parts No.** are not supplied.
 Les articles non mentionnés dans le **Parts No.** ne sont pas fournis.
 Teile ohne **Parts No.** werden nicht geliefert.

Ref. No.	Add-ress	New Parts	Parts No.	Description	Desti-nation	Re-marks
R1212			RK73HB1J101J	CHIP R 100	J	1/16W
R1213			RK73HB1J472J	CHIP R 4.7K	J	1/16W
R1305			RK73HB1J000J	CHIP R 0.0	J	1/16W
R1306,07			RK73HB1J182J	CHIP R 1.8K	J	1/16W
R1308,09			RK73HB1J000J	CHIP R 0.0	J	1/16W
R1311-18			RK73HB1J000J	CHIP R 0.0	J	1/16W
R1401			RK73HB1J103J	CHIP R 10K	J	1/16W
R1402			RK73HB1J104J	CHIP R 100K	J	1/16W
R1403			RK73HB1J000J	CHIP R 0.0	J	1/16W
R1405			RK73HB1J270J	CHIP R 27	J	1/16W
R1406			RK73HB1J821J	CHIP R 820	J	1/16W
R1407			RK73HB1J332J	CHIP R 3.3K	J	1/16W
R1408			RK73HB1J224J	CHIP R 220K	J	1/16W
R1409			RK73HB1J104J	CHIP R 100K	J	1/16W
R1410			RK73HB1J473J	CHIP R 47K	J	1/16W
R1411			RK73HB1J472J	CHIP R 4.7K	J	1/16W
R1412			RK73HB1J225J	CHIP R 2.2M	J	1/16W
R1413-16			RK73HB1J330J	CHIP R 33	J	1/16W
R1417-19			RK73HB1J392J	CHIP R 3.9K	J	1/16W
R1421			RK73HB1J103J	CHIP R 10K	J	1/16W
R1422-24			RK73HB1J330J	CHIP R 33	J	1/16W
R1425-29			RK73HB1J103J	CHIP R 10K	J	1/16W
R1430			RK73HB1J473J	CHIP R 47K	J	1/16W
D1001-20		*	CDS2C05HDMI	D,ESD CHIP		K067020500010S
D1301-10		*	CDS2C05HDMI	D,ESD CHIP		K067020500010S
D1401			KDS4148U	D,SWITCHING CHI		K005041480030S
IC1001		*	SI9233HDMI-RX	IC,LOGIC		J040923300030S
IC1002		*	SI9134HDMI-TX	IC,LOGIC		J040913400030S
IC1003		*	M3030RFFP-HDMI	IC,HDMI UCOM		8952KRF540030
IC1004		*	IL1117-1.2	IC,LINEAR-REGUL		J126111712040S
IC1005		*	IL1117-1.8	IC,LINEAR-REGUL		J126111710011S
Q1201			KRC104S	SEMI,CHIP TR/NP		J522104S00210S
Q1204		*	KTA1242AD-Y	SEMI,TR/GE PNP		J500124200010S
Q1401		*	2SD2114KT	SEMI,CHIP TR/NP		J5232114K0010S
Q1402,03		*	KTC3875S-1	SEMI,CHIP TR/NP		J522038750210S
Q1405			KRC102S	SEMI,CHIP TR/NP		J522010200210S
ZD1201			UDZS5.1	D,ZENER CHIP		K06605R14P400S

L: Scandinavia K: USA P: Canada R: Mexico C: China I: Malaysia
 Y: PX(Far East,Hawaii) T: England E: Europe G: Germany V: China(Shanghai)
 Y: AAFES(Europe) X: Australia Q: Russia H: Korea M: Other Areas Δ Indicates safety critical components.

ELECTRIC PARTS (HDMI)

Δ
Δ
Δ

HOW TO READ THE PARTS LIST

ABBREVIATION OF MODEL AND MASS PRODUCTION'S DESTINATIONS

MODEL	ABB.	Australia	Europe
KRF-V5450D	B	X	E
KRF-V6400D		X1	E1
KRF-V6400D	S	X2	E2
KRF-V6400D-S		-	E3

KRF-V5450D/V6400D

SPECIFICATIONS

AUDIO section

Rated output power during STEREO operation (63 Hz – 20 kHz, 0.7% T.H.D., at 6 Ω)	100 W + 100 W
Effective output power during STEREO operation RMS (1 kHz, 10% T.H.D., at 6 Ω)	130 W + 130 W
Effective power output during SURROUND operation FRONT (1 kHz, 0.7 % T.H.D. at 6 Ω one channel driven)	100 W + 100 W
(1 kHz, 10 % T.H.D. at 6 Ω one channel driven)	130 W + 130 W
CENTER (1 kHz, 0.7 % T.H.D. at 6 Ω one channel driven).....	100 W
(1 kHz, 10 % T.H.D. at 6 Ω one channel driven).....	130 W
SURROUND (1 kHz, 0.7 % T.H.D. at 6 Ω one channel driven).....	100 W + 100 W
(1 kHz, 10 % T.H.D. at 6 Ω one channel driven).....	130 W + 130 W
SURROUND BACK (KRF-V6400D only) (1 kHz, 0.7 % T.H.D. at 6 Ω one channel driven)	100 W
(1 kHz, 10 % T.H.D. at 6 Ω one channel driven)	130 W
SUBWOOFER (KRF-V5450D only) (100 Hz, 0.7 % T.H.D. at 6 Ω one channel driven)	100 W
(100 Hz, 10 % T.H.D. at 6 Ω one channel driven)	130 W
Total harmonic distortion	0.05 % (1 kHz, 50 W, 6 Ω)
Frequency response (IHF'66) DVD, VIDEO, CD, AUX	10 Hz – 70 kHz, +0 dB – -3.0 dB
Signal to noise ratio (IHF'66) DVD, VIDEO, CD, AUX	100 dB
Input sensitivity / impedance DVD, VIDEO, CD, AUX	550 mV / 66 kΩ
AV AUX	550 mV / 33 kΩ
Output level / impedance PRE OUT (SUBWOOFER)	2.0 V / 300 Ω
Tone control BASS	±10 dB (at 100 Hz)
TREBLE	±10 dB (at 10 kHz)

DIGITAL AUDIO section

Input terminal	
Optical.....	CD, VIDEO
Coaxial	DVD

VIDEO section

Video format	PAL / NTSC
VIDEO input sensitivity / impedance (DVD, VIDEO, AV AUX) Composite.....	1 Vp-p / 75 Ω
VIDEO output level / impedance (MONITOR) Composite.....	1 Vp-p / 75 Ω

HDMI section

HDMI input terminal	HDMI 1, HDMI 2
HDMI output terminal	MONITOR OUT

FM tuner section

Tuning frequency range.....	87.5 MHz – 108.0 MHz
-----------------------------	----------------------

AM tuner section

Tuning frequency range.....	531 kHz – 1,602 kHz
-----------------------------	---------------------

General

Power consumption	240 W
Standby power consumption (HDMI Link : Off)	less than 0.7 W
Dimensions	W: 440 mm (17-5/16")
.....	H: 159 mm (6-1/4")
.....	KRF-V6400D D: 372 mm (14-5/8")
.....	KRF-V5450D D: 362 mm (14-1/4")
Weight (net)	9.5 kg (20.9 lb)



- Kenwood follows a policy of continuous advancements in development. For this reason specifications may be changed without notice.
- The full performance may not be exhibited in an extremely cold location (under a water-freezing temperature).