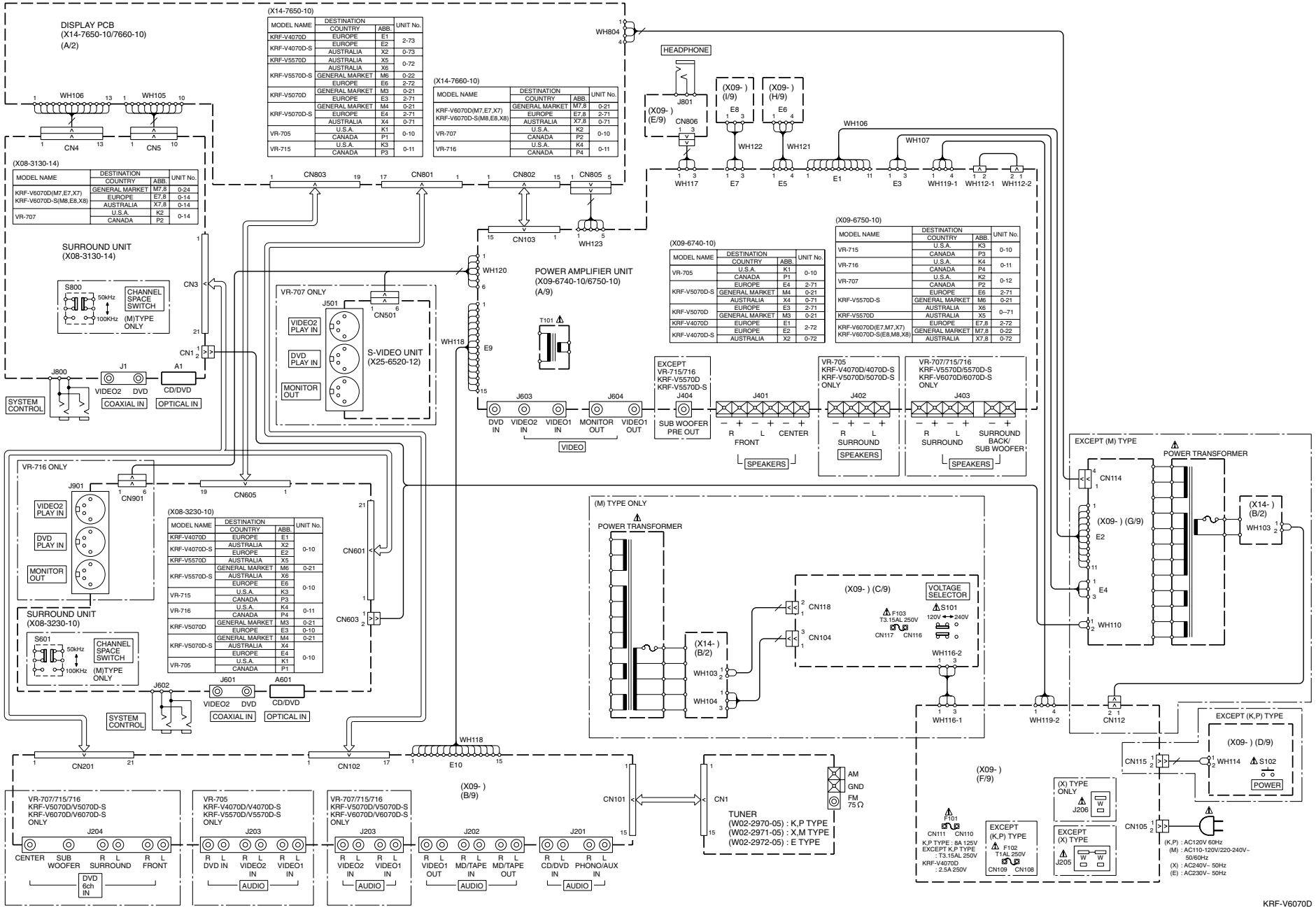
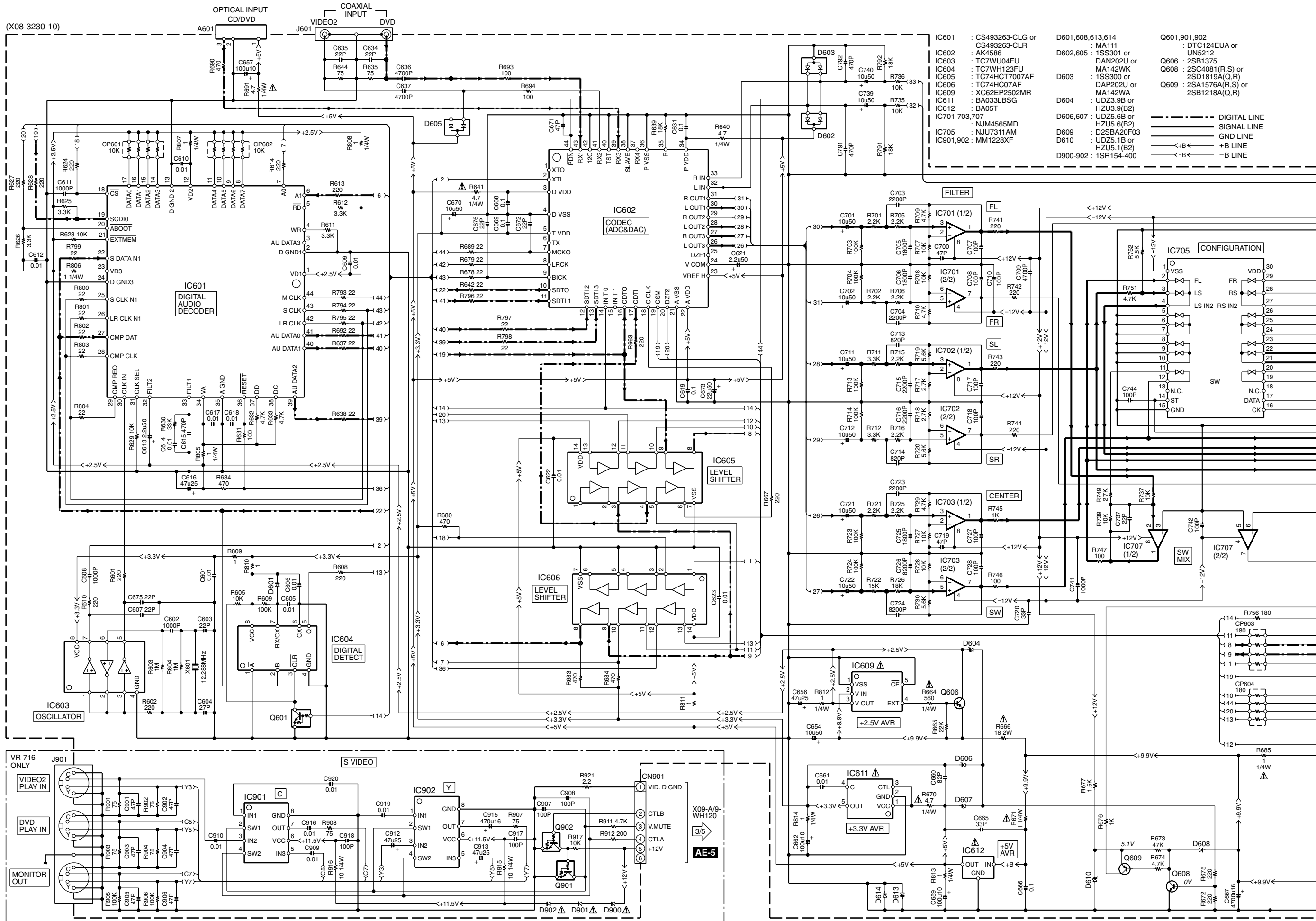


INTERCONNECTION DIAGRAM

KRF-V4070D/V5070D/V6070D/VR-705/707/715/716

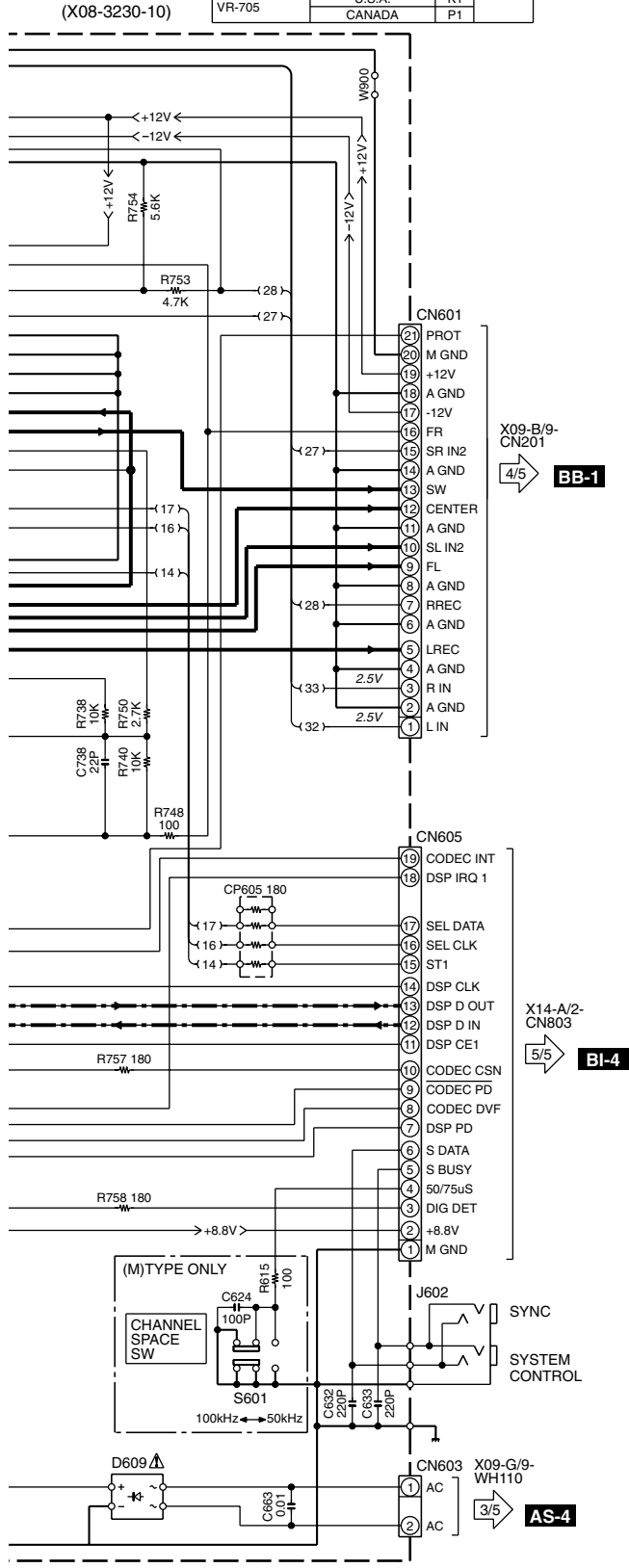




- IC601 : CS493263-CLG or
 IC602 : AK4586
 IC603 : TC7WU04FU
 IC604 : TC7WH123FU
 IC605 : TC74HCT7007AF
 IC606 : TC74HC07AF
 IC609 : XC62EP2502MR
 IC611 : BA033LBSG
 IC612 : BA05T
 IC701-703,707 : NJM4565MD
 IC705 : NJU7311AM
 IC901,902 : MM1228XF
- D601,608,613,614 : MA111
 D602,605 : 1SS301 or
 D603 : 1SS300 or
 D604 : UDZ3.9B or
 D606,607 : UDZ5.6B or
 D609 : D2SBA20F03
 D610 : UDZ5.1B or
 D900-902 : 1SR154-400
- Q601,901,902 : DTC124EUA or
 UN5212
 Q606 : 2SB1375
 Q608 : 2SC4081(R,S) or
 2SD1819A(Q,R)
 Q609 : 2SA1576A(R,S) or
 2SB1218A(Q,R)
- DIGITAL LINE
 — SIGNAL LINE
 — GND LINE
 <-+B< +B LINE
 <-B< -B LINE

(X08-3230-10)

MODEL NAME	DESTINATION		UNIT No.
	COUNTRY	ABB.	
KRF-V4070D	EUROPE	E1	0-10
KRF-V4070D-S	AUSTRALIA	X2	
	EUROPE	E2	
KRF-V5570D	AUSTRALIA	X5	0-21
KRF-V5570D-S	GENERAL MARKET	M6	
	AUSTRALIA	X6	0-10
	EUROPE	E6	
VR-715	U.S.A.	K3	
	CANADA	P3	0-11
VR-716	U.S.A.	K4	
	CANADA	P4	
KRF-V5070D	GENERAL MARKET	M3	0-21
	EUROPE	E3	0-10
	GENERAL MARKET	M4	0-21
KRF-V5070D-S	AUSTRALIA	X4	0-10
	EUROPE	E4	
	U.S.A.	K1	
VR-705	CANADA	P1	

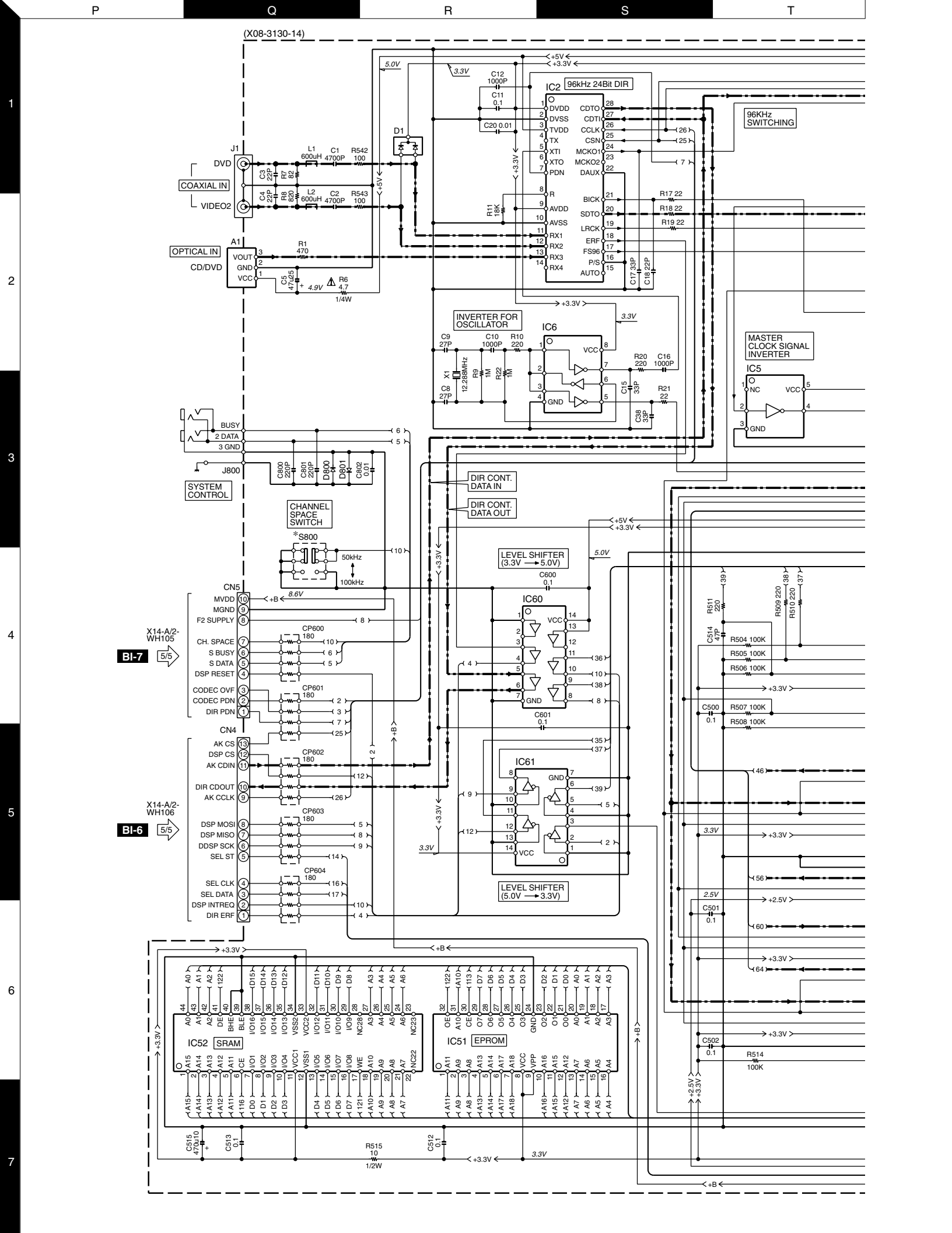


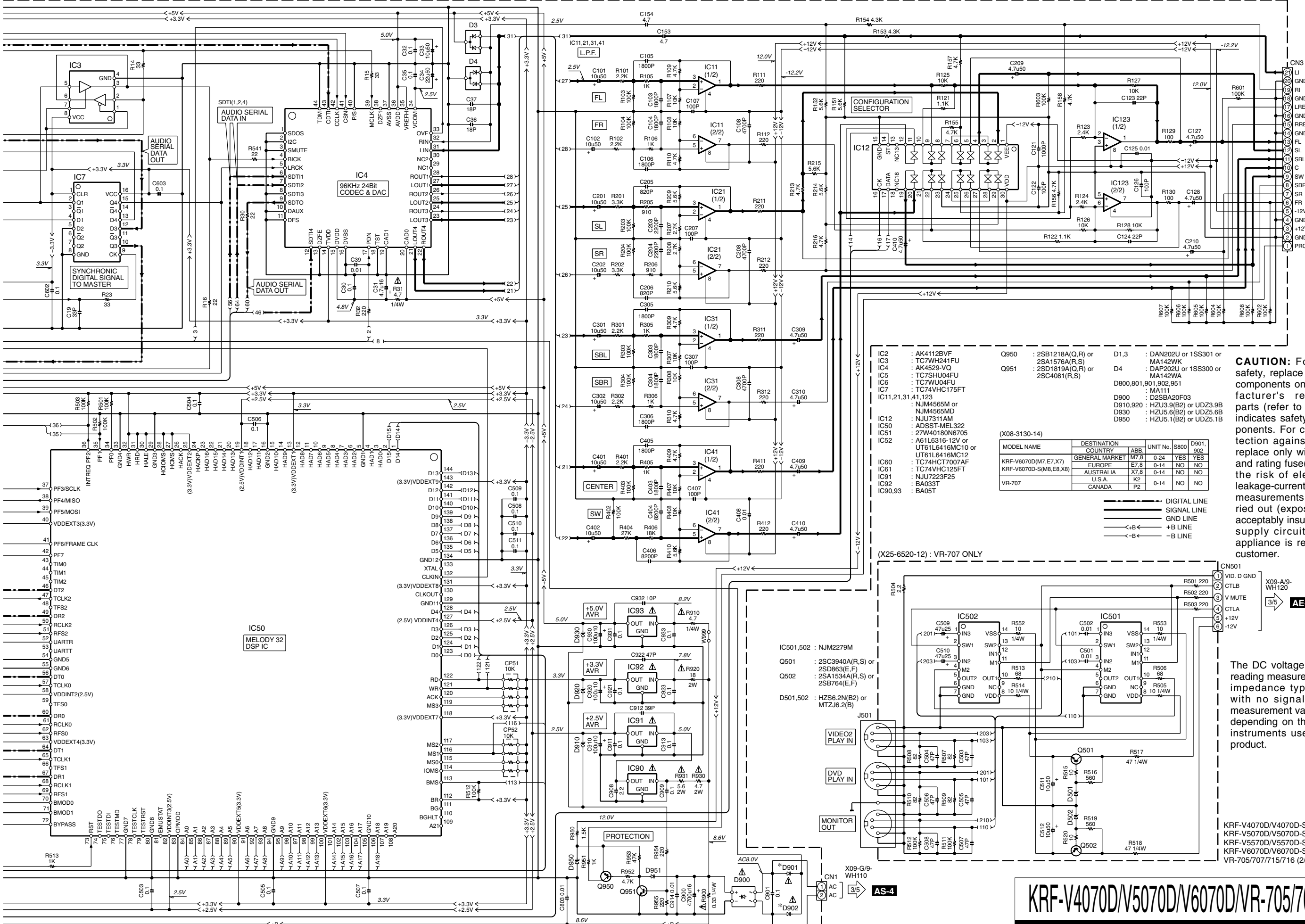
KRF-V4070D/V5070D/V5570D (1/5)
VR-705/715/716 (1/5)
Y05-4640-70

CAUTION: For continued safety, replace safety critical components only with manufacturer's recommended parts (refer to parts list). Δ indicates safety critical components. For continued protection against risk of fire, replace only with same type and rating fuse(s). To reduce the risk of electric shock, leakage-current or resistance measurements shall be carried out (exposed parts are acceptably insulated from the supply circuit) before the appliance is returned to the customer.

The DC voltage is an actual reading measured with a high impedance type voltmeter with no signal input. The measurement value may vary depending on the measuring instruments used or on the product.

KRF-V4070D/V5070D/V6070D/VR-705/707/715/716





IC1 : AK4112BVF
 IC2 : NJM4558M or NJM4558MD
 IC3 : TC7WH241FU
 IC4 : AK4529-VQ
 IC5 : ADSST-MEL322
 IC6 : TC7SHU04FU
 IC7 : TC7VHC125FT
 IC8 : NJJ7311AM
 IC9 : D800,801,901,902,951
 IC10 : MA111
 IC11 : D900 : D2SBA20F03
 IC12 : NJM4558M or NJM4558MD
 IC13 : NJM4558M or NJM4558MD
 IC14 : NJJ7311AM
 IC15 : ADSST-MEL322
 IC16 : A61L6316-12V or UT61L6416MC10 or UT61L6416MC12
 IC17 : TC7VHC125FT
 IC18 : NJJ7223F25
 IC19 : BA03T
 IC20 : BA05T
 IC21 : NJM4558M or NJM4558MD
 IC22 : NJJ7311AM
 IC30 : NJM4558M or NJM4558MD
 IC31 : NJJ7311AM
 IC32 : NJJ7311AM
 IC40 : NJM4558M or NJM4558MD
 IC41 : NJM4558M or NJM4558MD
 IC42 : NJJ7311AM
 IC50 : NJM4558M or NJM4558MD
 IC51 : NJJ7311AM
 IC52 : NJJ7311AM
 IC60 : NJM4558M or NJM4558MD
 IC61 : NJJ7311AM
 IC62 : NJJ7311AM
 IC90 : NJM4558M or NJM4558MD
 IC91 : NJJ7311AM
 IC92 : NJJ7311AM
 IC901 : NJM4558M or NJM4558MD
 IC902 : NJJ7311AM

Q950 : 2SB1218A(Q,R) or 2SA1576A(R,S)
 Q951 : 2SD1819A(Q,R) or 2SC4081(R,S)

D1,3 : DAN202U or 1SS301 or MA142WK
 D4 : DAP202U or 1SS300 or MA142WA
 D800,801,901,902,951 : MA111
 D900 : D2SBA20F03
 D910,920 : HZU3.9(B2) or UDZ3.9B
 D930 : HZU5.6(B2) or UDZ5.6B
 D950 : HZU5.1(B2) or UDZ5.1B

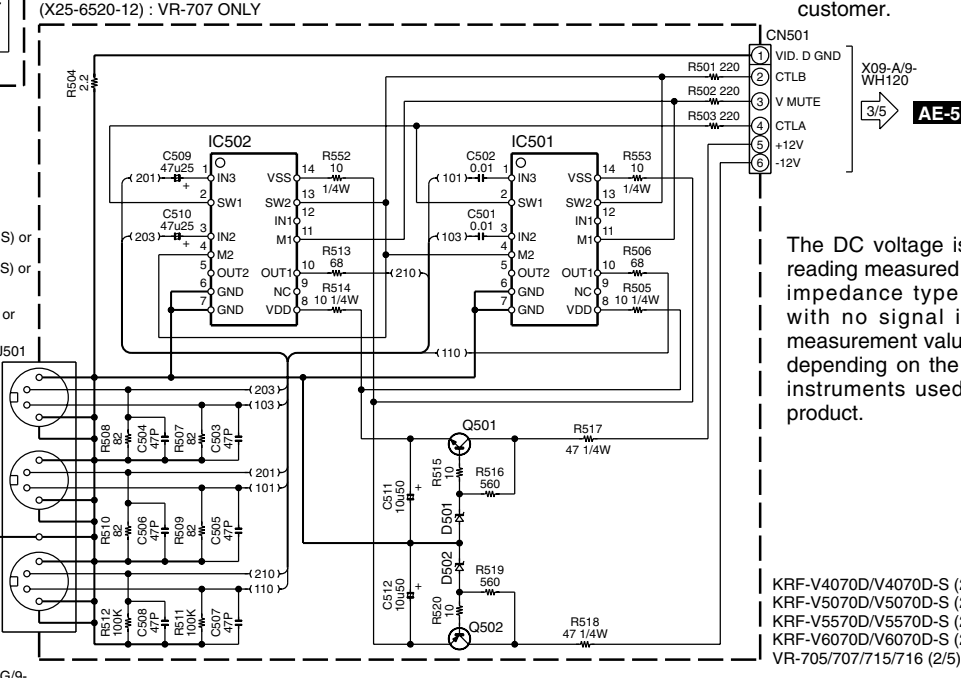
(X08-3130-14)

MODEL NAME	COUNTRY	ABB.	UNIT No.	S800	D901, 902
KRF-V6070D(M7,E7,X7)	GENERAL MARKET	M7,8	0-24	YES	YES
KRF-V6070D-S(M8,E8,X8)	EUROPE	E7,8	0-14	NO	NO
	AUSTRALIA	X7,8	0-14	NO	NO
	U.S.A.	K2	0-14	NO	NO
VR-707	CANADA	P2	0-14	NO	NO

--- DIGITAL LINE
 --- SIGNAL LINE
 --- GND LINE
 <-+B<--- +B LINE
 <-B<--- -B LINE

(X25-6520-12) : VR-707 ONLY

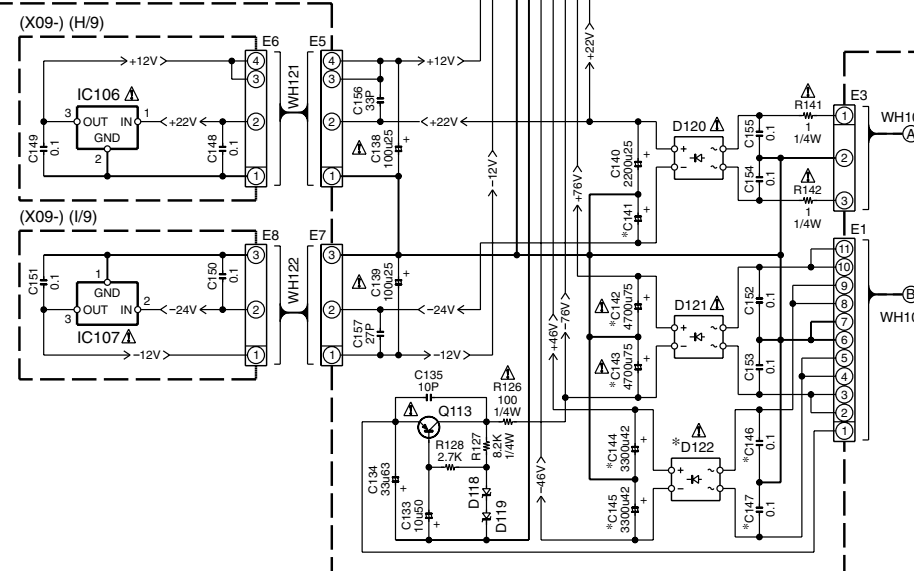
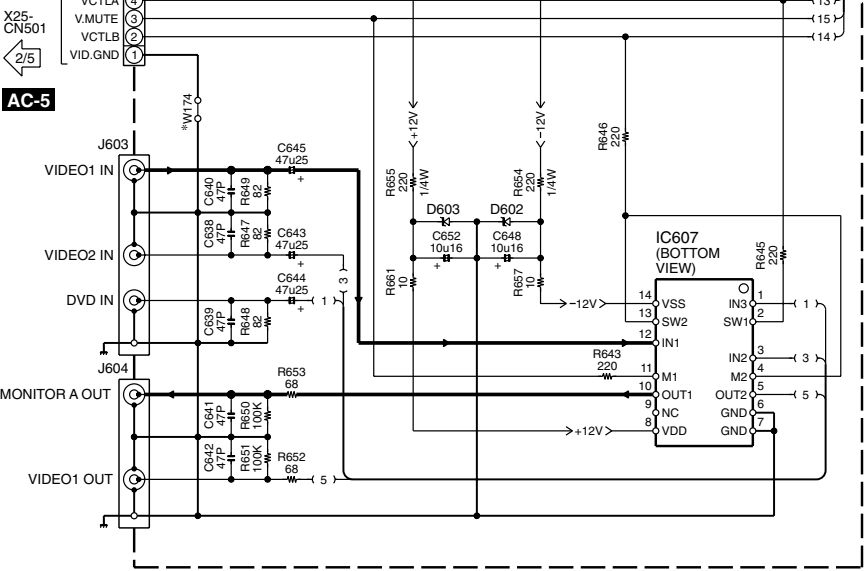
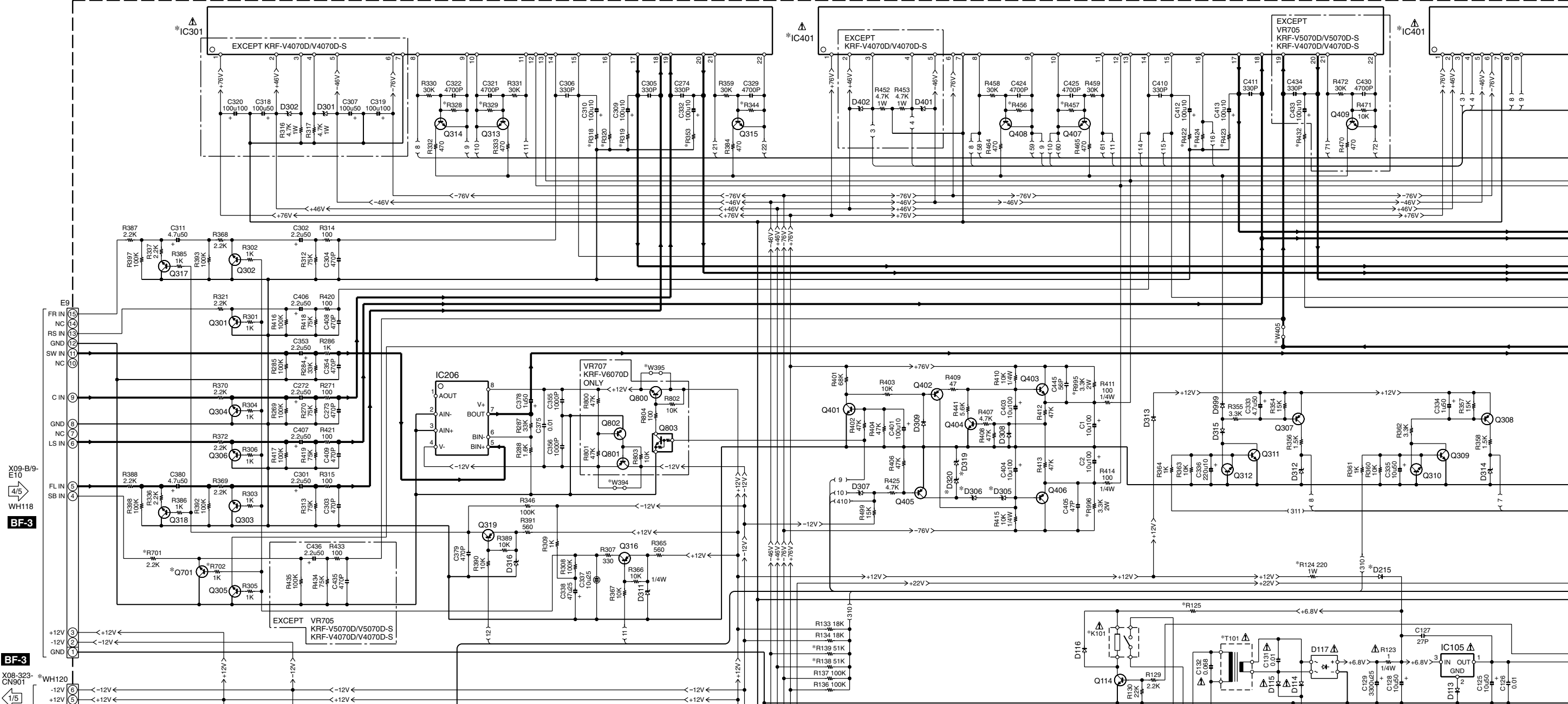
CAUTION: For continued safety, replace safety critical components only with manufacturer's recommended parts (refer to parts list). Δ indicates safety critical components. For continued protection against risk of fire, replace only with same type and rating fuse(s). To reduce the risk of electric shock, leakage-current or resistance measurements shall be carried out (exposed parts are acceptably insulated from the supply circuit) before the appliance is returned to the customer.



X09-B/9-CN201
 4/5 **BC-1**

X09-A/9-WH120
 3/5 **AE-5**

KRF-V4070D/V4070D-S (2/5)
 KRF-V5070D/V5070D-S (2/5)
 KRF-V5570D/V5570D-S (2/5)
 KRF-V6070D/V6070D-S (2/5)
 VR-705/707/715/716 (2/5)



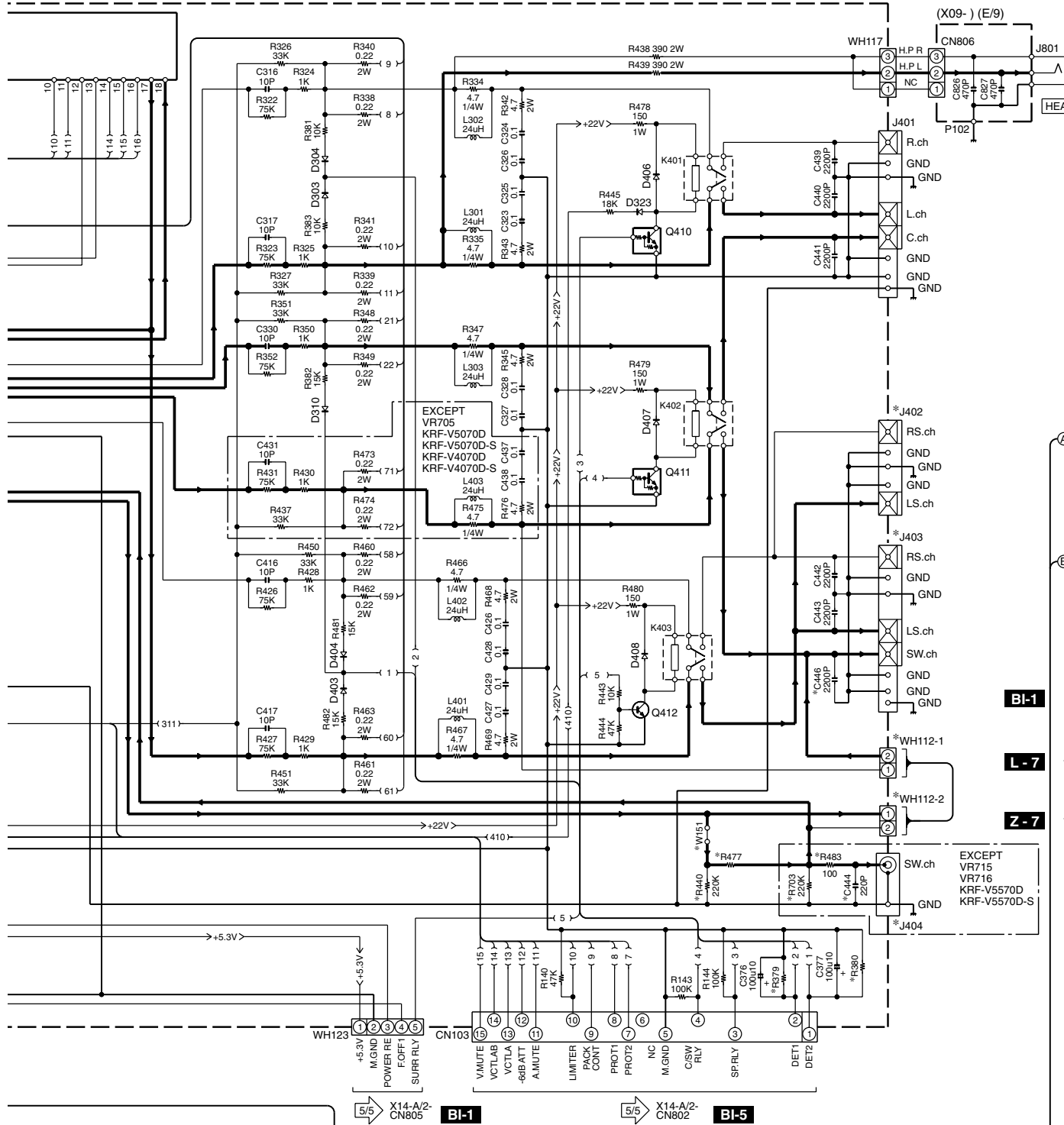
(X09-6750-10)

MODEL NAME	DESTINATION COUNTRY	ABB.	UNIT No.	C130	C141	C142,143	C144,145	C146,147,148	CN112	D122	D215	D305,306	D319	D320	F101
VR-715	U.S.A.	K3	0-10	C91-1648-05	470u25	C90-5747-05	C90-5746-05	YES	YES	YES	YES	11V	15V	15V	8A
	CANADA	P3													
VR-716	U.S.A.	K4	0-11	C91-1648-05	470u25	C90-5747-05	C90-5746-05	YES	YES	YES	YES	11V	15V	15V	8A
	CANADA	P4													
VR-707	U.S.A.	K2	0-12	C91-1648-05	100u25	C90-5747-05	C90-5746-05	YES	YES	YES	YES	11V	15V	15V	8A
	CANADA	P2													
KRF-V5570D-S	EUROPE	E6	2-71	C91-1488-05	470u25	C90-5775-05	C90-5777-05	YES	YES	YES	NO	10V	11V	13V	3.15A
	GENERAL MARKET	M6	0-21	C91-1488-05	470u25	C90-5747-05	C90-5746-05	YES	NO	YES	YES	10V	16V	16V	3.15A
KRF-V5570D	AUSTRALIA	X6	0-71	C91-1488-05	470u25	C90-5747-05	C90-5746-05	YES	YES	YES	NO	10V	16V	16V	3.15A
	EUROPE	E7,8	2-72	C91-1448-05	100u25	C90-5775-05	C90-5777-05	YES	YES	YES	NO	10V	11V	13V	3.15A
KRF-V6070D(E7,M7,X7)	EUROPE	E7,8	2-72	C91-1488-05	100u25	C90-5747-05	C90-5746-05	YES	NO	YES	YES	10V	16V	16V	3.15A
	GENERAL MARKET	M7,8	0-22	C91-1488-05	100u25	C90-5747-05	C90-5746-05	YES	NO	YES	YES	10V	16V	16V	3.15A
KRF-V6070D-S(E8,M8,X8)	AUSTRALIA	X6	0-71	C91-1488-05	470u25	C90-5747-05	C90-5746-05	YES	YES	YES	NO	10V	16V	16V	3.15A
	EUROPE	E7,8	2-72	C91-1448-05	100u25	C90-5775-05	C90-5777-05	YES	YES	YES	NO	10V	11V	13V	3.15A

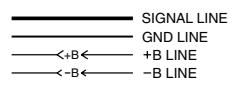
(X09-6740-10)

MODEL NAME	DESTINATION COUNTRY	ABB.	UNIT No.	C130	C141	C142,143	C144,145	C146,147,148	C446	CN112	D122	D215	D305,306	D319	D320	F101	IC301	
VR-705	U.S.A.	K1	0-10	C91-1648-05	470u25	C90-5747-05	C90-5746-05	YES	NO	YES	YES	YES	YES	11V	15V	15V	8A	STK-413-220A
	CANADA	P1																
KRF-V5070D-S	EUROPE	E4	2-71	C91-1488-05	470u25	C90-5775-05	C90-5777-05	YES	NO	YES	NO	YES	NO	10V	11V	13V	3.15A	STK-413-220A
	GENERAL MARKET	M4	0-21	C91-1488-05	470u25	C90-5747-05	C90-5746-05	YES	NO	YES	YES	YES	YES	10V	16V	16V	3.15A	STK-413-220A
KRF-V5070D	AUSTRALIA	X4	0-71	C91-1488-05	470u25	C90-5747-05	C90-5746-05	YES	NO	YES	YES	YES	NO	10V	16V	16V	3.15A	STK-413-220A
	EUROPE	E3	2-71	C91-1448-05	100u25	C90-5775-05	C90-5777-05	YES	NO	YES	YES	NO	YES	10V	11V	13V	3.15A	STK-413-220A
KRF-V4070D	EUROPE	E1	2-72	C91-1488-05	470u25	C90-5747-05	C90-5746-05	YES	NO	NO	YES	YES	NO	10V	11V	13V	3.15A	STK-413-220A
	EUROPE	E2	2-72	C91-1488-05	470u25	C90-5775-05	C90-5777-05	NO	NO	NO	NO	NO	NO	10V	NO	NO	2.5A	STK-443-070
KRF-V4070D-S	AUSTRALIA	X1	0-72	C91-1488-05	470u25	C90-5776-05	C90-5746-05	NO	NO	NO	NO	NO	NO	10V	NO	NO	2.5A	STK-443-070

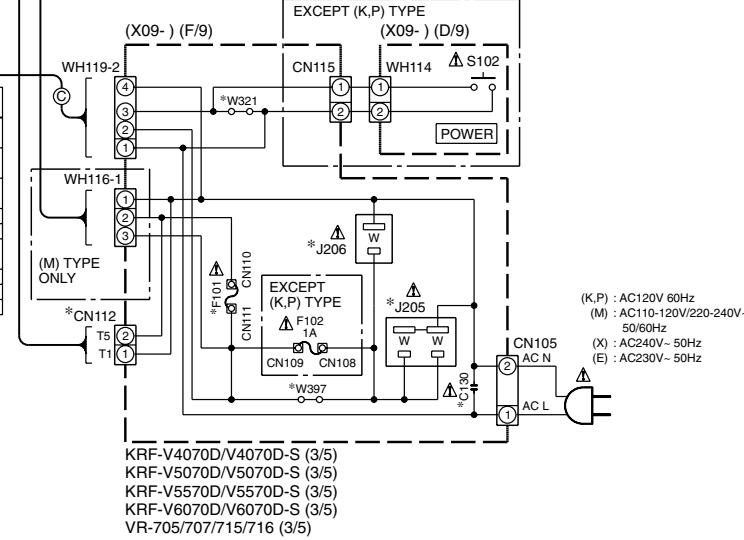
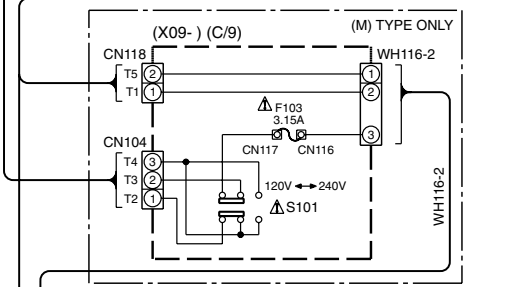
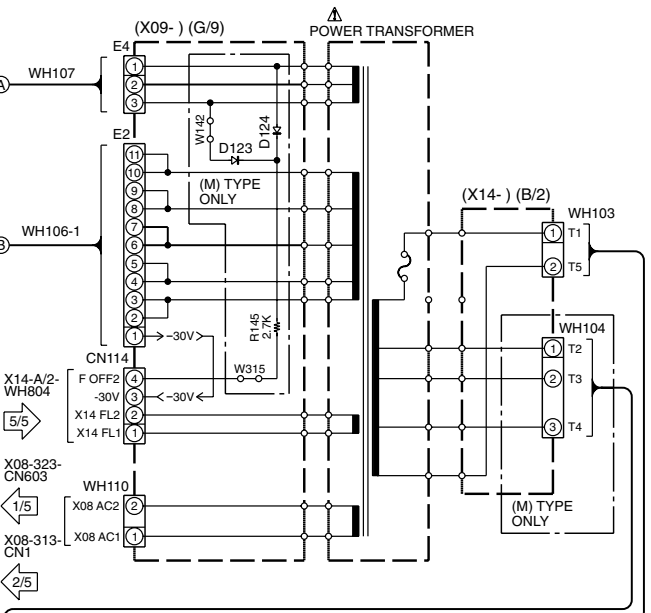
(X09-6740-10/6750-10) (A/9)



- IC105 : BA05T
 - IC106 : KIA7812API
 - IC107 : KIA7912PI
 - IC206 : NJM4565D
 - IC301 : *
 - IC401 : *
 - IC607 : NJM2279D
- D113 : RB441Q-40
 - D114,116,123,124,215,303,304,308-310,313,315,323,403,404,406-408 : 1SS133 or 406-408 : HSS104A
 - D117 : S1ZB20(4101)
 - D118 : MTZJ16(B) or HZS16N(B2)
 - D119,301,302,401,402 : MTZJ15(B) or HZS15N(B2)
 - D120 : D2SBA20F03
 - D121,122 : D5SBA20F03
 - D305,306 : *
 - D307,311,312,314,316 : MTZJ3.9(B) or HZS3.9N(B2)
 - D319 : *
 - D320 : *
 - D602,603 : MTZJ5.6(B) or HZS5.6N(B2)
- Q113,406 : 2SB1640
 - Q114,412 : 2SC1740(Q,R) or 2SC2785(F,E)
 - Q301-306,317,318,701 : 2SC2878(B)
 - Q307,308,316,319,405,801,802 : 2SA992(F,E)
 - Q309-315,401,404,407-409,800 : 2SC1845(F,E)
 - Q402 : 2SA1535A
 - Q403 : 2SC3944A
 - Q410,411,803 : UN4219 or DTC113ZSA



BI-1
L-7
Z-7



IC301, 401	J205	J206	J402	J403	K101	Q409	Q701	R125 (1/4W)	R132	R138,139, 440,995,996	R318,319,353, 422,423	R320, 424	R328,329,344, 456,457	R379, 380	R432	R477	R701, 702	T101	W151	W174	W321, 397	W394,395, 405	WH112	WH120	
STK-413-220A	E03-0396-05	NO	NO	YES	S76-0099-05	YES	NO	YES	27	YES	YES	680	33K	10K	1.2K	2.4K	2.2K	NO	L07-2758-05	YES	NO	YES	YES	NO	NO
STK-413-220A	E03-0396-05	NO	NO	YES	S76-0099-05	YES	NO	YES	27	YES	YES	680	33K	10K	1.2K	2.4K	2.2K	NO	L07-2758-05	YES	YES	YES	YES	NO	YES
STK-413-220A	E03-0396-05	NO	NO	YES	S76-0099-05	YES	YES	YES	27	YES	YES	680	33K	10K	1.2K	680	1K	YES	L07-2758-05	YES	YES	YES	NO	NO	YES
STK-413-220A	E03-0398-05	NO	NO	YES	S76-0102-05	YES	NO	NO	1	NO	YES	820	33K	10K	1.5K	3K	2.2K	NO	L07-2758-05	YES	NO	NO	YES	NO	NO
STK-413-220A	E03-0398-05	NO	NO	YES	S76-0102-05	YES	NO	YES	27	NO	YES	680	33K	10K	1.2K	2.4K	2.2K	NO	L07-2805-05	YES	NO	NO	YES	NO	NO
STK-413-220A	NO	YES	NO	YES	S76-0102-05	YES	NO	NO	1	NO	YES	680	33K	10K	1.2K	2.4K	2.2K	NO	L07-2758-05	YES	NO	NO	YES	NO	NO
STK-413-220A	E03-0398-05	NO	NO	YES	S76-0102-05	YES	NO	NO	1	NO	YES	820	33K	10K	1.5K	820	1K	YES	L07-2758-05	YES	YES	NO	NO	NO	YES
STK-413-220A	E03-0398-05	NO	NO	YES	S76-0102-05	YES	YES	YES	27	NO	YES	680	33K	10K	1.2K	680	1K	YES	L07-2805-05	YES	YES	NO	NO	NO	YES
STK-413-220A	NO	YES	NO	YES	S76-0102-05	YES	YES	NO	1	NO	YES	680	33K	10K	1.2K	680	1K	YES	L07-2758-05	YES	YES	NO	NO	NO	YES

IC401	J205	J206	J402, 404	J403	K101	Q409	Q701	R124	R125 (1/4W)	R132	R138,139, 995,996	R318,319,353, 422,423	R320, 424	R328,329,344, 456,457	R379, 380	R440,477, 701,702	T101	W151,174, 405	W321, 397	W394, 395	WH112	WH120		
STK-412-220A	E03-0396-05	NO	YES	NO	S76-0099-05	NO	NO	YES	27	YES	YES	680	33K	10K	1.2K	NO	L07-2758-05	NO	YES	YES	YES	NO	NO	
STK-412-220A	E03-0398-05	NO	YES	NO	S76-0102-05	NO	NO	1	NO	YES	820	33K	10K	1.5K	NO	L07-2758-05	NO	NO	YES	YES	YES	NO	NO	
STK-412-220A	E03-0398-05	NO	YES	NO	S76-0102-05	NO	NO	YES	27	NO	YES	680	33K	10K	1.2K	NO	L07-2805-05	NO	NO	YES	YES	YES	NO	NO
STK-412-220A	NO	YES	YES	NO	S76-0102-05	NO	NO	1	NO	YES	820	33K	10K	1.2K	NO	L07-2758-05	NO	NO	YES	YES	YES	NO	NO	
STK-412-220A	E03-0398-05	NO	YES	NO	S76-0102-05	NO	NO	1	NO	YES	820	33K	10K	1.5K	NO	L07-2758-05	NO	NO	YES	YES	YES	NO	NO	
STK-412-220A	E03-0398-05	NO	YES	NO	S76-0102-05	NO	YES	27	NO	YES	680	33K	10K	1.2K	NO	L07-2805-05	NO	NO	YES	YES	YES	NO	NO	
STK-442-070	E03-0398-05	NO	YES	NO	S76-0102-05	NO	NO	1	NO	NO	820	10K	22K	1.5K	NO	L07-2758-05	NO	NO	YES	YES	YES	NO	NO	
STK-442-070	NO	YES	YES	NO	S76-0102-05	NO	NO	1	NO	NO	680	10K	22K	1.2K	NO	L07-2758-05	NO	NO	YES	YES	YES	NO	NO	

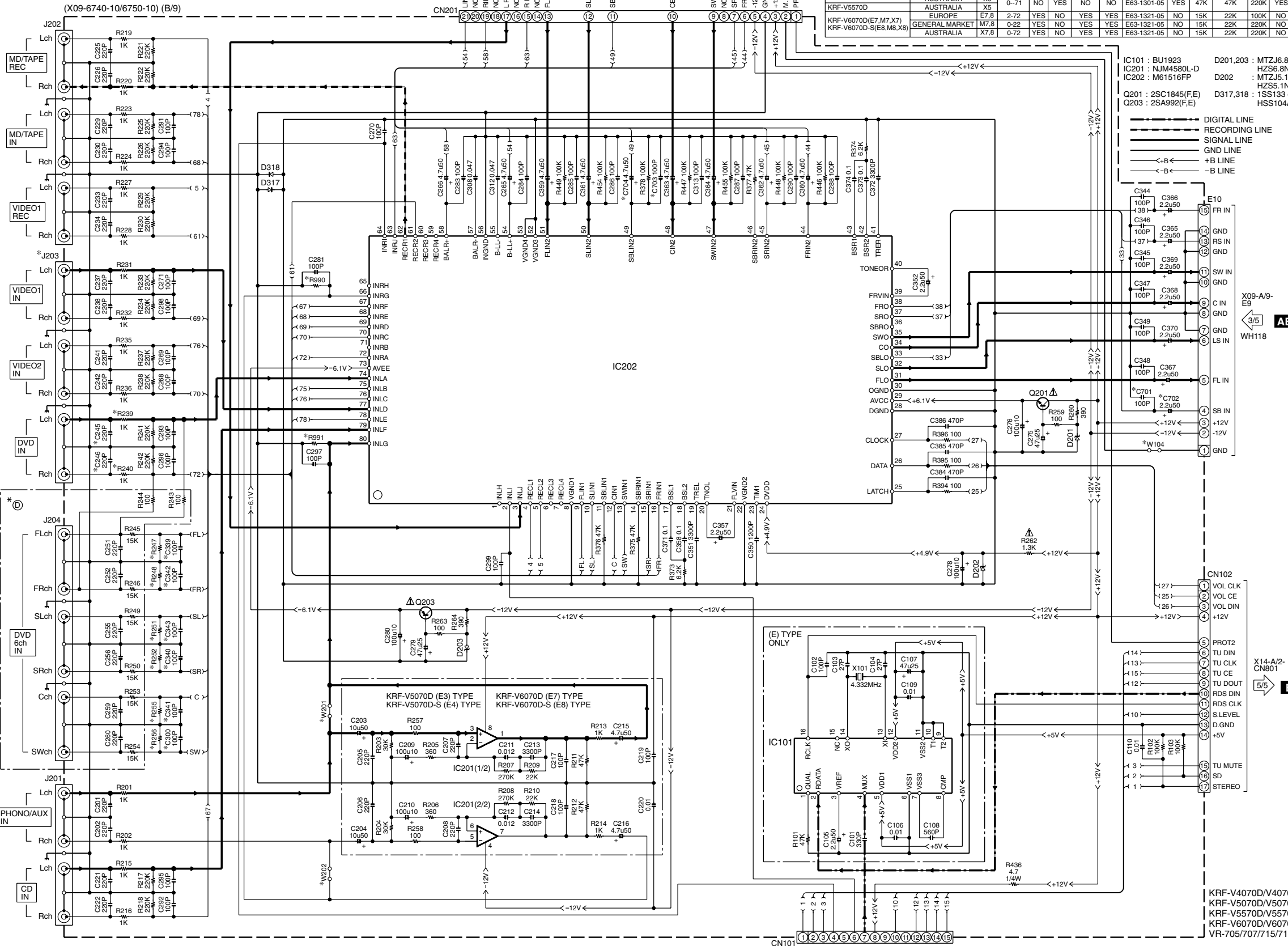
CAUTION: For continued safety, replace safety critical components only with manufacturer's recommended parts (refer to parts list). Δ indicates safety critical components. For continued protection against risk of fire, replace only with same type and rating fuse(s). To reduce the risk of electric shock, leakage-current or resistance measurements shall be carried out (exposed parts are acceptably insulated from the supply circuit) before the appliance is returned to the customer.

The DC voltage is an actual reading measured with a high impedance type voltmeter with no signal input. The measurement value may vary depending on the measuring instruments used or on the product.

KRF-V4070D/V5070D/V6070D/VR-705/707/715/716

(X09-6740-10)													
MODEL NAME	DESTINATION COUNTRY	ABB.	UNIT No.	Ⓢ	C245, 246	C300, 339-343	C701-704	J203	R239, 240	R247, 248	R251,252, 255,256	R990, 991	W104
VR-705	U.S.A.	K1	0-10	NO	YES	NO	NO	E63-1301-05	YES	47K	47K	220K	YES
	CANADA	P1											
KRF-V5070D-S	EUROPE	E4	2-71	YES	NO	YES	NO	E63-1321-05	NO	15K	22K	100K	YES
	GENERAL MARKET	M4											
	AUSTRALIA	X4											
KRF-V5070D	EUROPE	E3	2-71	YES	NO	YES	NO	E63-1321-05	NO	15K	22K	100K	YES
	GENERAL MARKET	M3											
	AUSTRALIA	X3											
KRF-V4070D	EUROPE	E1	2-72	NO	YES	NO	NO	E63-1301-05	YES	47K	47K	220K	YES
KRF-V4070D-S	AUSTRALIA	X2	0-72	NO	YES	NO	NO	E63-1301-05	YES	47K	47K	220K	YES

(X09-6750-10)													
MODEL NAME	DESTINATION COUNTRY	ABB.	UNIT No.	Ⓢ	C245, 246	C300, 339-343	C701-704	J203	R239, 240	R247, 248	R251,252, 255,256	R990, 991	W104
VR-715	U.S.A.	K3	0-10	YES	NO	YES	NO	E63-1321-05	NO	15K	22K	220K	YES
	CANADA	P3											
VR-716	U.S.A.	K4	0-11	YES	NO	YES	NO	E63-1321-05	NO	15K	22K	220K	YES
	CANADA	P4											
VR-707	U.S.A.	K2	0-12	YES	NO	YES	YES	E63-1321-05	NO	15K	22K	220K	NO
	EUROPE	E6											
	GENERAL MARKET	M6											
KRF-V5570D-S	EUROPE	E6	2-71	NO	YES	NO	NO	E63-1301-05	YES	47K	47K	220K	YES
	GENERAL MARKET	M6											
	AUSTRALIA	X6											
KRF-V5570D	EUROPE	E7.8	2-72	YES	NO	YES	YES	E63-1321-05	NO	15K	22K	100K	NO
	AUSTRALIA	X5											
	GENERAL MARKET	M7.8											
KRF-V6070D(E7,M7,X7)	EUROPE	E7.8	0-22	YES	NO	YES	YES	E63-1321-05	NO	15K	22K	220K	NO
	AUSTRALIA	X8											
	GENERAL MARKET	M7.8											
KRF-V6070D-S(E8,M8,X8)	EUROPE	E7.8	0-22	YES	NO	YES	YES	E63-1321-05	NO	15K	22K	220K	NO
	AUSTRALIA	X7.8											
	GENERAL MARKET	M7.8											



IC101 : BU1923
 IC201 : NJM4580L-D
 IC202 : M61516FP

D201,203 : MTZJ6.8(B) or HZS6.8N(B2)
 D202 : MTZJ5.1(B) or HZS5.1N(B2)
 D317,318 : 1SS133 or HSS104A

Q201 : 2SC1845(FE)
 Q203 : 2SA992(FE)

Legend:
 --- DIGITAL LINE
 - - - RECORDING LINE
 — SIGNAL LINE
 — GND LINE
 — +B LINE
 — -B LINE

CAUTION: For continued safety, replace safety critical components only with manufacturer's recommended parts (refer to parts list). Δ indicates safety critical components. For continued protection against risk of fire, replace only with same type and rating fuse(s). To reduce the risk of electric shock, leakage-current or resistance measurements shall be carried out (exposed parts are acceptably insulated from the supply circuit) before the appliance is returned to the customer.

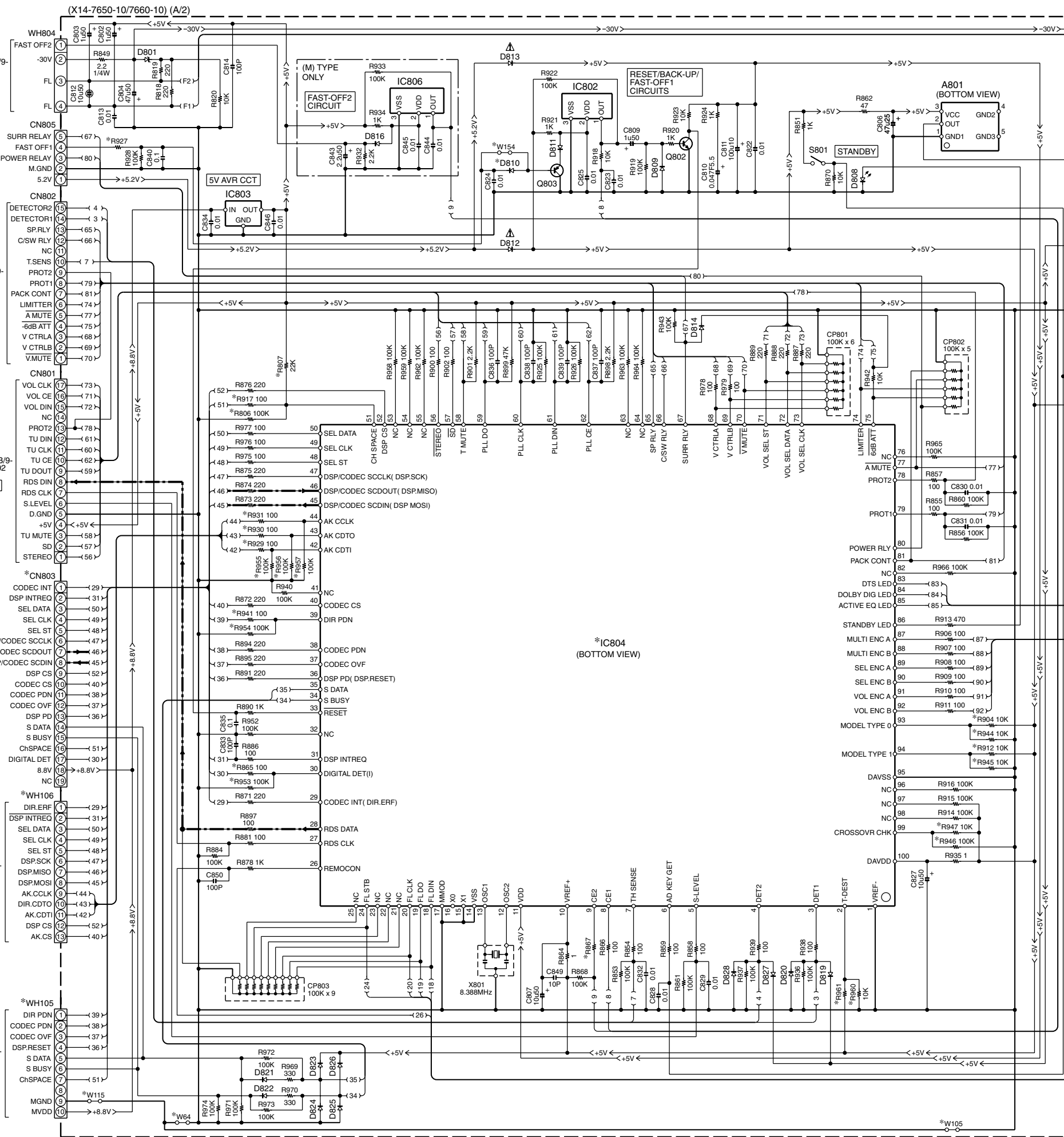
The DC voltage is an actual reading measured with a high impedance type voltmeter with no signal input. The measurement value may vary depending on the measuring instruments used or on the product.

- KRF-V4070D/V4070D-S (4/5)
- KRF-V5070D/V5070D-S (4/5)
- KRF-V5570D/V5570D-S (4/5)
- KRF-V6070D/V6070D-S (4/5)
- VR-705/707/715/716 (4/5)

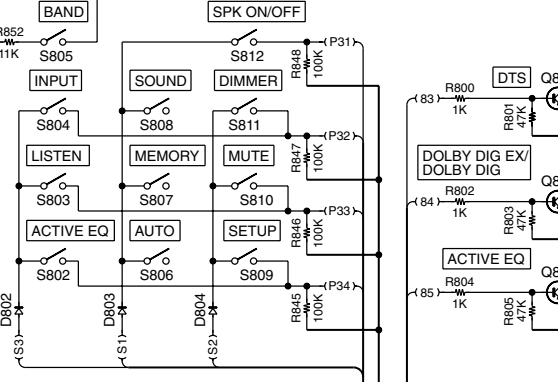
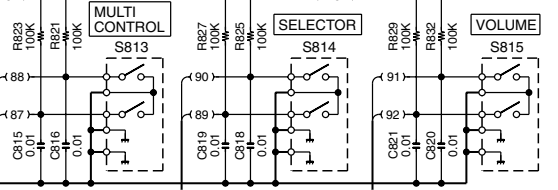
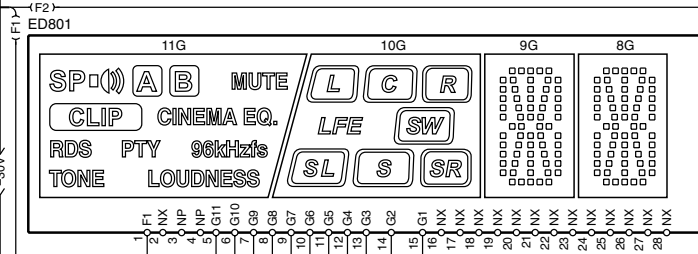
KRF-V4070D/V5070D/V6070D/VR-705/707/715/716

Y05-4640-70

KENWOOD



*IC804 (BOTTOM VIEW)



MODEL NAME	COUNTRY	ABB.	UNIT No.	(A)	CN803	D810	IC804	R806	R807, 917	R865, 954-957	R867
KRF-V4070D	EUROPE	E1	2-73	NO	YES	NO	MN101C49KLE	YES	NO	YES	100
KRF-V4070D-S	AUSTRALIA	X2	0-73	NO	YES	NO	MN101C49KLE	YES	NO	YES	100
KRF-V5570D	AUSTRALIA	X5	0-72	NO	YES	NO	MN101C49KLE	YES	NO	YES	100
KRF-V5570D-S	GENERAL MARKET	M6	0-22	YES	YES	YES	MN101C49KLE	NO	YES	YES	100K
KRF-V5070D	EUROPE	E6	2-72	NO	YES	NO	MN101C49KLE	YES	NO	YES	100
KRF-V5070D-S	EUROPE	E3	2-71	NO	YES	NO	MN101C49KLE	YES	NO	YES	100
KRF-V5070D-S	GENERAL MARKET	M4	0-21	YES	YES	YES	MN101C49KLE	NO	YES	YES	100K
VR-705	U.S.A.	K1	0-10	NO	YES	YES	MN101C49KLE	YES	NO	YES	100
VR-715	U.S.A.	K3	0-11	NO	YES	YES	MN101C49KLE	YES	NO	YES	100
	CANADA	P3									

MODEL NAME	COUNTRY	ABB.	UNIT No.	(A)	CN803	D810	IC804	R806	R807, 917
KRF-V6070D(M7,E7,X7)	GENERAL MARKET	M7,8	0-21	YES	NO	YES	MN101C49GGR	NO	YES
KRF-V6070D-S(M8,E8,X8)	EUROPE	E7,8	2-71	NO	NO	NO	MN101C49GGR	YES	NO
	AUSTRALIA	X7,8	0-71	NO	NO	NO	MN101C49GGR	YES	NO
VR-707	U.S.A.	K2	0-10	NO	NO	YES	MN101C49GGR	YES	NO
VR-716	U.S.A.	K4	0-11	NO	YES	YES	MN101C49KLE	YES	NO
	CANADA	P4							

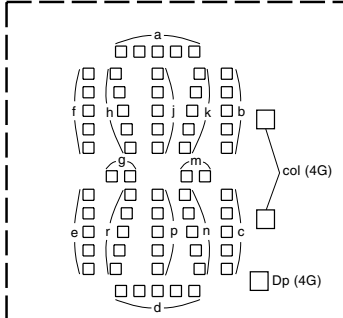
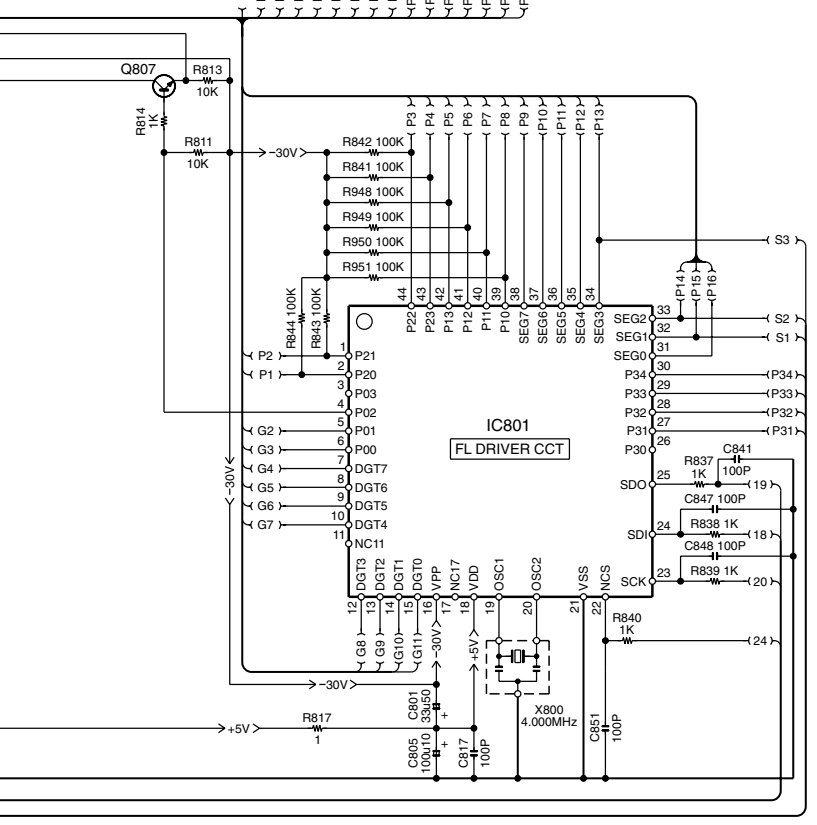
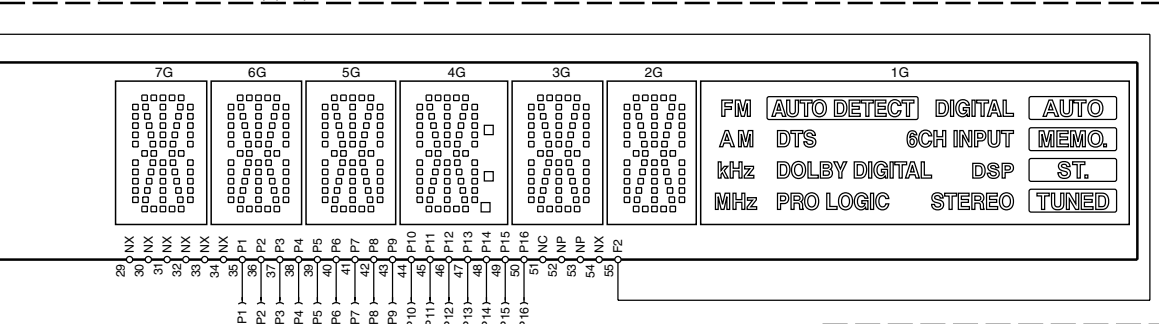
- IC801 : MN12510F
- IC802, 806 : S-80840CNY
- IC803 : XC6202P502TH
- IC804 : *
- Q802, 804-807 : 2SC1740S(Q,R) or 2SC2785(F,E) or 2SA933AS(Q,R) or 2SA1175(F,E)
- D801 : MTZJ6.2(B) or RD6.2ES(B)
- D802-804, 809-811, 814, 816, 819-828 : 1SS133 or HSS104A
- D805-808 : B30-2545-05
- D812, 813 : RB441Q-40

KRF-V4070D/V4070D-S (5/5)
KRF-V5070D/V5070D-S (5/5)
KRF-V5570D/V5570D-S (5/5)
KRF-V6070D/V6070D-S (5/5)
VR-705/707/715/716 (5/5)

- AS-4
- AP-5
- AQ-5
- BF-5
- L-5
- P-5
- P-4

1
2
3
4
5
6
7

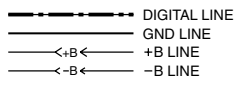
(X14-7650-10/7660-10) (A/2)



	11G	10G	9G	8G	7G	6G	5G	4G	3G	2G	1G
P1	SP1	L	a	a	a	a	a	a	a	a	FM
P2	A	C	j	j	j	j	j	j	j	j	AM
P3	B	R	h	h	h	h	h	h	h	h	MHz
P4	MUTE	SL	k	k	k	k	k	k	k	k	kHz
P5	CLIP	S	b	b	b	b	b	b	b	b	AUTO
P6	CINEMA EQ.	SR	f	f	f	f	f	f	f	f	MEMO.
P7	-	LFE	g	g	g	g	g	g	g	g	ST.
P8	-	SW	m	m	m	m	m	m	m	m	TUNED
P9	RDS	(L)	c	c	c	c	c	c	c	c	AUTO DETECT
P10	PTY	(C)	e	e	e	e	e	e	e	e	DTS
P11	96kHz	(R)	r	r	r	r	r	r	r	r	DOLBY DIGITAL
P12	TOPE	(SL)	n	n	n	n	n	n	n	n	PRO LOGIC
P13	LOUDNESS	(S)	p	p	p	p	p	p	p	p	DIGITAL
P14	-	(SR)	d	d	d	d	d	d	d	d	6CH INPUT
P15	-	(SW)	-	-	-	-	-	-	-	-	DSP
P16	-	-	-	-	-	-	-	-	-	-	STEREO

R904	R912	R927	R929-931, 941, 953	R944	R945	R946	R947	R960	R961	W64	W105, 115	W154	WH105, 106
YES	NO	150K	NO	NO	YES	YES	NO	NO	10K	YES	NO	YES	NO
YES	NO	160K	NO	NO	YES	YES	NO	YES	30K	YES	NO	YES	NO
NO	NO	160K	NO	YES	YES	YES	NO	YES	30K	YES	NO	YES	NO
NO	NO	62K	NO	YES	YES	YES	NO	YES	10K	YES	NO	NO	NO
NO	NO	150K	NO	YES	YES	YES	NO	NO	10K	YES	NO	YES	NO
YES	YES	62K	NO	NO	NO	YES	NO	YES	10K	YES	NO	NO	NO
YES	YES	150K	NO	NO	NO	YES	NO	NO	10K	YES	NO	YES	NO
YES	YES	62K	NO	NO	NO	YES	NO	YES	10K	YES	NO	NO	NO
YES	YES	150K	NO	NO	NO	YES	NO	NO	10K	YES	NO	YES	NO
YES	YES	160K	NO	NO	NO	YES	NO	YES	30K	YES	NO	YES	NO
YES	YES	56K	NO	NO	NO	YES	NO	YES	NO	YES	NO	NO	NO
NO	NO	56K	NO	YES	YES	NO	YES	YES	NO	YES	NO	NO	NO

R865, 954-957	R867	R904	R912	R927	R929-931, 941, 953	R944	R945	R946	R947	R960	R961	W64	W105, 115	W154	WH105, 106
NO	100K	NO	NO	62K	YES	YES	YES	YES	NO	YES	10K	NO	YES	NO	YES
NO	100	NO	NO	150K	YES	YES	YES	YES	NO	NO	10K	NO	YES	YES	YES
NO	100	NO	NO	160K	YES	YES	YES	YES	NO	YES	30K	NO	YES	YES	YES
NO	100	NO	NO	56K	YES	YES	YES	NO	YES	YES	NO	NO	YES	NO	YES
YES	100	NO	YES	56K	NO	YES	NO	NO	YES	YES	NO	NO	YES	NO	NO



CAUTION: For continued safety, replace safety critical components only with manufacturer's recommended parts (refer to parts list). Δ indicates safety critical components. For continued protection against risk of fire, replace only with same type and rating fuse(s). To reduce the risk of electric shock, leakage-current or resistance measurements shall be carried out (exposed parts are acceptably insulated from the supply circuit) before the appliance is returned to the customer.

The DC voltage is an actual reading measured with a high impedance type voltmeter with no signal input. The measurement value may vary depending on the measuring instruments used or on the product.

KRF-V4070D/V5070D/V6070D/VR-705/707/715/716

Y05-4640-70

KENWOOD