

# KRF-V6200D/V6200D-S

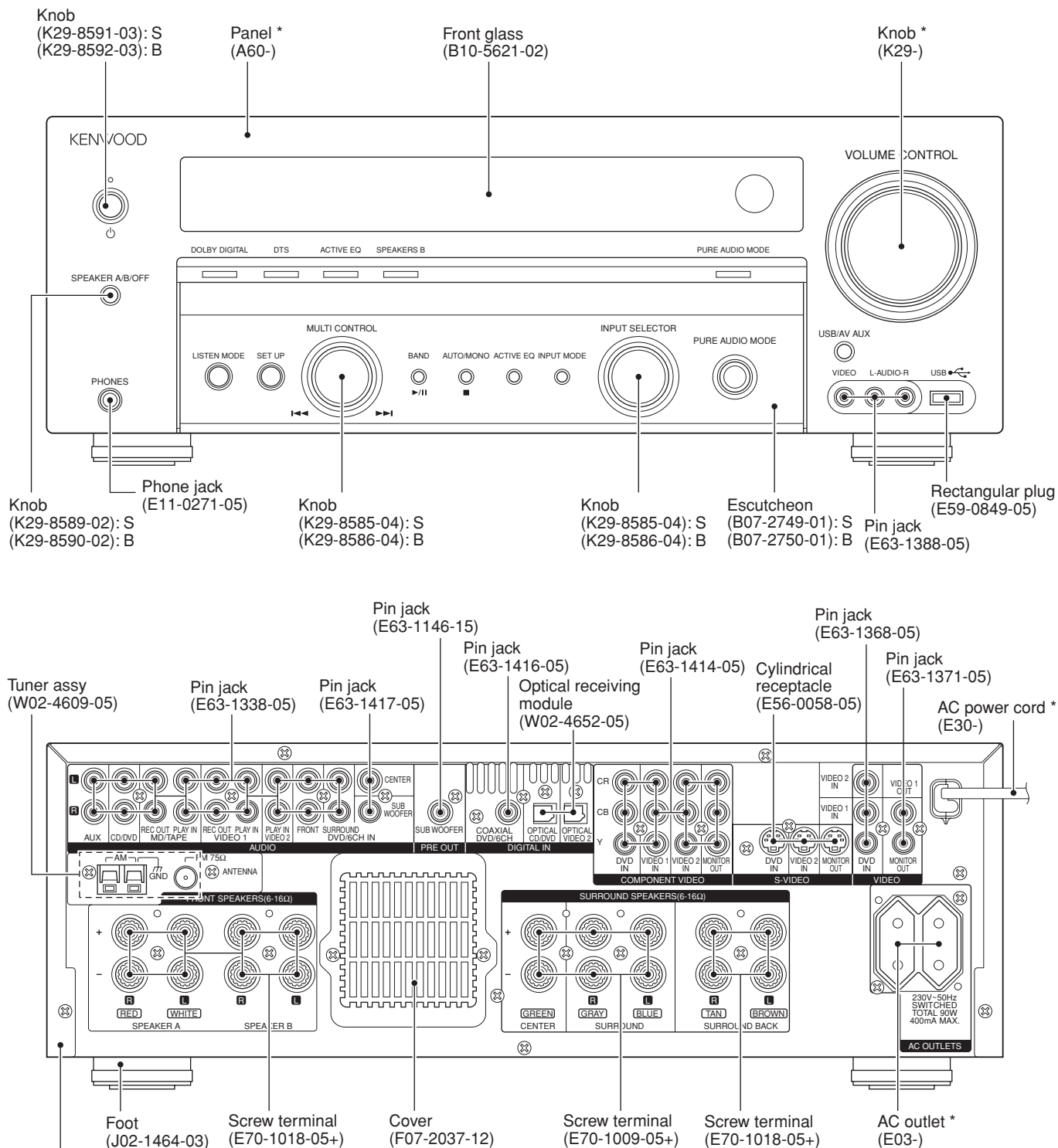
# KRF-V7200D/V7200D-S

## SERVICE MANUAL

# KENWOOD

Kenwood Corporation

© 2007-7 PRINTED IN JAPAN  
B53-4014-00 (N/J) 127



Metallic cabinet  
(A01-3976-11): S  
(A01-3977-11): B

Figure is KRF-V7200D/D-S

S: Silver, B: Black

\* Refer to parts list on page 36.

This product uses Lead Free solder.


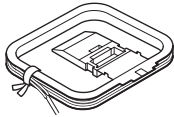
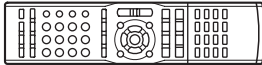

This product complies with the RoHS directive for the European market.



# KRF-V6200D/V7200D

## ACCESSORIES / CAUTIONS

### Accessories

FM indoor antenna (1) (T90-0877-05) 	AM loop antenna (1) (T90-0893-05) 	Remote control unit (1) RC-R0732 (A70-1720-05) 	Batteries (R03) (2) (-) 
---	---	--	---

### Cautions

#### **Information on Disposal of Old Electrical and Electronic Equipment (applicable for EU countries that have adopted separate waste collection systems)**



Products with the symbol (crossed-out wheeled bin) cannot be disposed as household waste. Old electrical and electronic equipment should be recycled at a facility capable of handling these items and their waste by products.

Contact your local authority for details in locating a recycle facility nearest to you.

Proper recycling and waste disposal will help conserve resources whilst preventing detrimental effects on our health and the environment.

### Playable USB device and files

#### **USB device**

##### • **Playable USB device**

Flash memories and digital audio players which work as mass-storage-class devices.

The maximum current drain should be no more than 500mA.

##### • **Playable USB device file system**

FAT16, FAT32

##### • **Applicable memory**

FAT32 : 256MB or larger

FAT16 : 128MB or larger

##### • **Subclass**

SCSI

##### • **Limitation of structure for the file and the folder**

Maximum number of directory levels: 8

Maximum number of folders: 700

Maximum number of files: 65535

#### **Notes:**

- Take backups of the audio files used with this unit. The files can be erased depending on the operating conditions of the USB device.

We shall have no compensation for any damage arising out of erasure of the stored data.

- Using an unsupported USB device can result in abnormal playback or display of the audio file.

Even if you use the USB device conforming to the above specs, audio files cannot be played normally depending on the type or condition of the USB device.

#### **Audio file**

##### • **Playable Audio file**

MP3 (.mp3), WMA (.wma), AAC (.m4a)

##### • **Playable MP3 file**

Format: MPEG 1 Audio Layer 3,  
MPEG 2 AUDIO LSF (Low Sampling Frequency) Layer 3

Extensions: ".mp3"

Transfer bit rate (MPEG 1 Audio Layer 3):  
32/40/48/56/64/80/96/112/128/160/  
192/224/256/320kbps/VBR

Transfer bit rate (MPEG 2 Audio LSF Layer 3):  
8/16/24/32/40/48/56/64/80/96/112/  
128/144/160kbps/VBR

Sampling frequency (MPEG 1 Audio Layer 3):  
32/44.1/48kHz

Sampling frequency (MPEG 2 Audio LSF Layer 3):  
16/22.05/24kHz

##### • **Playable WMA file**

Format: The file in accordance with Windows Media Audio 9.2

Extensions: ".wma"

Transfer bit rate: (CBR) 48-320kbps,  
(VBR) Peak 384 kbps

Sampling frequency: 32/44.1/48kHz

##### • **Playable AAC file**

Format: MPEG-4/AAC LC (Low Complexity),  
MPEG-2/AAC LC (Low Complexity).

Extensions: ".m4a"

Transfer bit rate: 8-320kbps

Sampling frequency: 8/11.025/12/16/22.05/24/32/44.1/48  
kHz

## CAUTIONS

### Notes:

- WMA files which cannot be played with this unit:
  - WMA 9 series Professional
  - WMA 9 series Voice
  - WMA 9 series Lossless
  - WMA file which contains video
- The files with copy protection cannot be played.
- The unit may not be compatible with upgrade of compression format standard and additional specifications.
- This unit can display the following versions of ID3 tag:  
version 1.0/ 1.1/ 2.2/ 2.3

### **Resetting the Microcomputer**

The microcomputer may malfunction (unit cannot be operated, or shows an erroneous display) if the power cord is unplugged while the power is ON, or due to some other external factor. If this happens, execute the following procedure to reset the microcomputer and return the unit to its normal operating condition.

**While holding down [⏻] key on the unit, unplug the power cord and plug it back in.**

- Please note that resetting the microcomputer will clear the contents of the memory and return the unit to the state it was in when it left the factory.

### **Memory back up function**

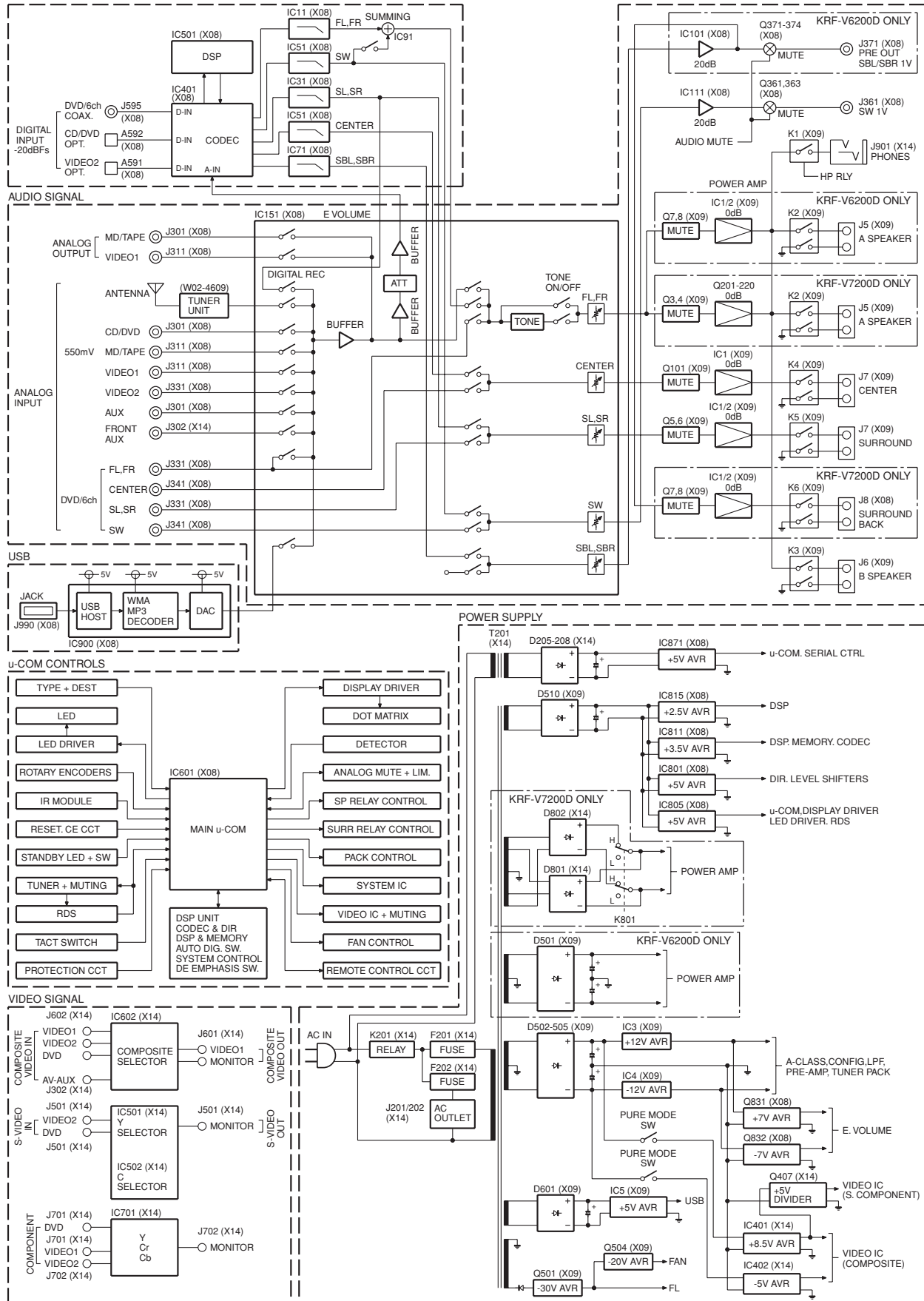
Please note that the following items will be deleted from the unit's memory if the power cord is disconnected from the AC outlet for approximately 1 day.

- Input selector settings
- Volume level
- BASS, TREBLE, INPUT level
- TONE ON/OFF
- ACTIVE EQ mode
- Dimmer level
- Speaker settings
- Sound Adjustment (Input level, Midnight mode, Panorama mode, Dimension mode, Center Width mode)
- Listen mode setting
- Tuner setting



# KRF-V6200D/V7200D

## BLOCK DIAGRAM



## CIRCUIT DESCRIPTION

## ● MN101E16K: Microprocessor (IC601: X08) Port Descriptions

Port No.	Port Name	I/O	Explanations	Logic
1	RTS_USB	O	USB IC reset	
2	PULSE_USB	O	USB IC pulse	
3	CE1	O	Chip enable	
4	FL_DIN	O	FL Driver DATA input	
5	FL_DO	I	FL Driver DATA output	
6	FL_CLK	O	FL Driver CLOCK	
7	RLY_STB	O	Relay control IC strobe	
8	FL_STB	O	FL Driver strobe	
9	-6dB_ATT	O	-6dB ATT	
10	RLY_CLR	O	Relay control IC CLR	
11	MMOD	I	Memory Mode selective port	
12	OSC2	O	Clock input	
13	OSC1	I	Clock output	
14	Vss	-	Power supply	
15	XI	I	Clock input (NO USED)	
16	XO	O	Clock output (NO USED)	
17	Vdd33	-	Microprocessor power supply port	
18	Vdd18	-	Microprocessor power supply port	
19	RESET	I	Reset port	
20	LED5 (PURE MODE)	O	PURE AUDIO MODE led	
21	LED4 (DTS)	O	DTS led	
22	LED3 (DOLBY)	O	DOLBY DIGITAL led	
23	LED2 (ACTIVE EQ)	O	ACTIVE EQ led	
24	LED6 (SPB)	O	SPEAKER B led	
25	REMOCON	I	Remote control input (Interrupt)	
26	RDS_CLK	I	RDS CLOCK input (Interrupt)	
27	RDS_DATA	I	RDS DATA input	
28	CODEC_INT	I	DIR ERROR detection input (Interrupt)	
29	DIGITAL_DET	I	DIGITAL DETECT input	
30	DSP_INTREQ	I	DSP Interrupt Request input	
31	SBO2_USB	I	USB IC DATA output	
32	SBI2_USB	O	USB IC DATA input	
33	SCKB_USB	O	USB IC CLOCK	
34	DSP/CODEC_SCDIN	O	DSP/DIR/CODEC IC DATA input	
35	DSP/CODEC_SCDOUT	I	DSP/DIR/CODEC IC DATA output	
36	DSP/CODEC_SCCLK	O	DSP/DIR/CODEC IC CLOCK	
37	Vdd18	-	Power supply	
38	A_MUTE	O	Audio mute	
39	Vss	-	Power supply	
40	LIMITER	O	Limiter	

# KRF-V6200D/V7200D

## CIRCUIT DESCRIPTION

Port No.	Port Name	I/O	Explanations	Logic
41	FAN_CONT	O	FAN control	
42	AMP_PROT	I	AMP protection	
43	AVR_PROT	I	AVR protection	
44	POWER_KEY	I	POWER KEY	
45	BAND_KEY	I	BAND KEY	
46	RLY_DATA	O	Relay control IC data	
47	RLY_CLK	O	Relay control IC clock	
48	RESET_USB	O	USB IC reset	
49	STBY_USB	O	USB UC standby	
50	POCINT_USB	I	USB over-current check port	
51	DIR_PDN	O	DIR power down	
52	F.AUX_KEY	I	AV AUX key input	
53	VOL_ENC_A	I	Volume encoder A	
54	VOL_ENC_B	I	Volume encoder B	
55	DIST	I	Model type	
56	STEREO	O	TUNER STEREO DETECT	
57	SD	I	TUNER SIGNAL DETECT	
58	T_MUTE	O	TUMER MUTE	
59	PLL_DO	I	TUNER PLL IC DATA out	
60	PLL_CLK	O	TUNER PLL IC CLOCK	
61	PLL_DIN	O	TUNER PLL IC DATA in	
62	PLL_CE	O	TUNER PLL IC CHIP ENABLE	
63	Vss	-	Power supply	
64	VOL_SEL_DATA	O	VOLUME IC DATA	
65	VOL_SEL_CLK	O	VOLUME IC CLOCK	
66	SEL_DATA	O	SELECTOR IC DATA	
67	SEL_CLK	O	SELECTOR IC CLOCK	
68	SEL_STB	O	SELECTOR IC STROBE	
69	LED 1(STANDBY)	O	STANDBY led	
70	CODEC_CS	O	DIR/CODEC CS	
71	CODEC_DVF	O	CODEC DVF	
72	CODEC_PDN	O	CODEC POWER DOWN	
73	DSP_PD	O	DSP POWER DOWN	
74	DSP_CS	O	DSP CS	
75	EEPROM DATA	I/O	EEPROM DATA	
76	EEPROM CLK	O	EEPROM CLOCK	
77	S.DATA	I/O	SL16 DATA	
78	S.BUSY	I/O	SL16 BUSY	
79	V_CTRL1	O	VIDEO CONTROL 1	
80	V_CTRL2	O	VIDEO CONTROL 2	
81	V_CTRL3	O	VIDEO CONTROL 3	

## CIRCUIT DESCRIPTION

Port No.	Port Name	I/O	Explanations	Logic
82	V_MUTE	O	VIDEO MUTE	
83	PURE	O	PURE AUDIO MODE (video on/off)	
84	POWER_RLY	O	POWER RELAY	
85	ENC_A1	I	SELECTOR ENC INPUT A	
86	ENC_A2	I	SELECTOR ENC INPUT B	
87	CTS_USB	I	USB IC CTS	
88	ENC_B1	I	MULTI CONTROL ENC INPUT A	
89	Vdd5	-	Power supply	
90	ENC_B2	I	MULTI CONTROL ENC INPUT B	
91	Vss	-	Power supply	
92	TH_DET D1	I	Thermal sensor protection detection 1	A/D
93	TH_DET PACK	I	Signal Level Protection detection Pack	A/D
94	FAN LEVEL	I	FAN level	A/D
95	TH_DET LR	I	Thermal sensor detection L/R	A/D
96	TH_DET D2	I	Thermal sensor protection detection 2	A/D
97	DET_S	I	Signal Level Protection detection Surround	A/D
98	TH_HIGHTAP	I	Signal Level Protection detection HIGH tap	A/D
99	S-LEVEL	I	RDS SIGNAL LEVEL detection	A/D
100	Vref+	-	A/D converter's reference voltage	

\*book referred to maker's semiconductor handbook

## ● AK4628A: CODEC (IC401: X08) Port Descriptions

Port No.	Port Name	I/O	Explanations	Logic
1	SODS	I	SDTO Source Select port. SDOS port should be set to "L" when TDM-"1"	L: Internal ADC output, H: DAUX input.
2	I2C	I	Control Mode Selection port.	L: 3-Bus Serial, H: I2C Bus.
3	SMUTE	I	Soft Mute port.	When this port goes to "H", soft mute cycle is initialized. When returning to "L", the output mute releases.
4	BICK	I	Audio Serial Data Clock port.	-
5	LRCK	I	Input Channel Clock port.	-
6	SDTI1	I	DAC1 Audio Serial Data Input port.	-
7	SDTI2	I	DAC2 Audio Serial Data Input port.	-
8	SDTI3	I	DAC3 Audio Serial Data Input port.	-
9	SDTO	O	Audio Serial Data Output port.	-
10	DAUX	I	AUX Audio Serial Data Input port.	-
11	DFS0	I	Double Speed Sampling Mode port.	L: Normal Speed, H: Double Speed.
12	SDTI4	I	DAC4 Audio Serial Data Input port.	-
13	DZFE	I	Zero input Detect Enable port.	L: mode 7(disable) at parallel mode, zero detect mode is selectable by DZFM3-0 bits at serial mode. H: mode 0 (DZF1 is AND of is AND of all eight channels.)
14	TVDD	-	Output Buffer Power Supply port, 2.7-5.5V.	-
15	DVDD	-	Digital Power Supply Port, 4.5 -5.5V.	-
16	DVSS	-	Digital Ground.	-

# KRF-V6200D/V7200D

## CIRCUIT DESCRIPTION

Port No.	Port Name	I/O	Explanations	Logic
17	PDN	I	Power-Down and Reset port.	When "L", the AK4628A is powered-down and the control registers are reset to default state. If the state of P/S or CAD1-0 changes, then the AK4628A must be reset by PDN.
18	TST1	I	Test port. This port should be connected to DVSS.	-
19	CSD1	I	Chip Address-1 port.	-
20	CAD0	I	Chip Address-0 port.	-
21	LOUT4	O	DAC4 L-ch Analog Output port.	-
22	ROUT4	O	DAC4 R-ch Analog Output port.	-
23	LOUT3	O	DAC3 L-ch Analog Output port.	-
24	ROUT3	O	DAC3 R-ch Analog Output port.	-
25	LOUT2	O	DAC2 L-ch Analog Output port.	-
26	ROUT2	O	DAC2 R-ch Analog Output port.	-
27	LOUT1	O	DAC1 L-ch Analog Output port.	-
28	ROUT 1	O	DAC1 R-ch Analog Output port.	-
29	TST2	I	Test port. This port should be left floating or connected to AVSS.	-
30	NC	-	No Connect.	-
31	LIN	I	L-ch Analog Input port.	-
32	RIN	I	R-ch Analog Input port.	-
33	DZF2	O	Zero Input Detect 2-port.	When the input data of the group 1 follow total 8192 LRCK cycles with "0" input data, this port goes to "H". And when RSTN bit is "0", PWDAN port is "0", this port goes to "H". It always is in "L" when P/S is "H".
34	VCOM	O	Common Voltage Output port, AVDD/2. Large external capacitor 2.2uF is used to reduce power-supply noise.	-
35	VREFH	I	Positive Voltage Reference Input port, AVDD.	-
36	AVDD	-	Analog Power Supply port, 4.5-5.5V.	-
37	AVSS	-	Analog Ground port, 0V.	-
38	DZF1	O	Zero Input Detect 1-port.	When the input data of the group 1 follow total 8192 LRCK cycles with "0" input data, this port goes to "H". And when RSTN bit is "0", PWDAN port is "0", this port goes to "H". Output is selected by setting DZFE port when P/S is "H".
39	MCLK	I	Master Clock Input port.	-
40	P/S	I	Parallel/Serial Selection port.	L: Serial control mode, H: Parallel control mode.
41	DIF0	I	Audio data Interface Format 0 port in parallel control mode.	-
42	DIF1	I	Audio data Interface Format 1 port in parallel control mode.	-
43	LOOP0	I	Loopback Mode 0 port in parallel control mode. Enable digital loop-back from ADC to 4DACs.	-
44	TDM0	I	TDM I/F Format Mode port.	L: Normal mode, H: TDM mode.



## CIRCUIT DESCRIPTION

## ● AK4114VQ: Digital Audio Transceiver (IC402: X08) Port Descriptions

Port No.	Port Name	I/O	Explanations	Logic
1	RX4	I	Receiving channel #4 port.	
2	NC	I	Connected to GND.	
3	RX5	I	Receiving channel #5 port.	
4	TEST2	I	Connected to GND.	
5	RX6	I	Receiving channel #6 port.	
6	NC	I	Connected to GND.	
7	RX7	I	Receiving channel #7 port.	
8	IIC	I	IIC selector port.	H: IIC, L: 4 bus serial mode.
9	P/SN	I	Parallel/Serial selector port.	H: Parallel, L: Serial.
10	XTL0	I	Crystal frequency selector #0 port.	
11	XTL1	I	Crystal frequency selector #1 port.	
12	VIN	I	V bit input port for transmitting.	
13	TVDD	I	Power supply for I/O.	
14	NC	I	Connected to GND.	
15	TX0	O	Transmitting channel #0 output port.	
16	TX1	O	Transmitting channel #1 (through data) output port. Transmitting channel (DAUX data) output port.	TX bit="0" TX bit="1": Default
17	BOUT	O	Block Start output port for receiving.	H: period in 40 frame from start.
18	COUT	O	C bit output port for receiving	
19	UOUT	O	U bit output port for receiving	
20	VOUT	O	V bit output port for receiving	
21	DVDD	I	Power supply for digital.	
22	DVSS	I	Ground for digital.	
23	MCKO1	O	Master clock output port #1.	
24	LRCK	I/O	Channel clock port.	
25	SDTO	O	Audio serial data output port.	
26	BICK	I/O	Audio serial data clock port.	
27	MCKO2	O	Master clock output port #2.	
28	DAUX	I	Auxiliary audio serial data input port.	
29	XTO	O	Crystal output port.	
30	XT1	I	Crystal input port.	
31	PDN	I	Power supply down and reset port.	L: Power down mode and all output ports are "L". Initialize register.
32	CDTO	O	Control data output port.	
33	CDTI	I	Control data input port.	
34	CCLK	I	Control data clock input port.	
35	CSN	I	Chip selector port.	
36	INT0	O	Interruption #0 port.	
37	INT1	O	Interruption #1 port.	
38	AVDD	I	Power supply for analog circuitry.	
39	R	-	External resistor connection port.	

# KRF-V6200D/V7200D

## CIRCUIT DESCRIPTION

Port No.	Port Name	I/O	Explanations	Logic
40	VOM	-	Common voltage output port.	
41	AVSS3	I	Analog ground port.	
42	RX0	I	Receiving channel #0 port.	
43	NC	I	Connected to GND.	
44	RX1	I	Receiving channel #1 port.	
45	TEST1	I	Connected to GND.	
46	RX2	I	Receiving channel #2 port.	
47	NC	I	Connected to GND.	
48	RX3	I	Receiving channel #3 port.	

\*book referred to maker's semiconductor handbook

### ● uPD63901: USB Control (IC900: X08) Port Descriptions

Port No.	Port Name	I/O	Explanations	Logic
1	USBXTAL	I	48MHz Internal Oscillation port.	
2	/USBXTAL	O	48MHz Internal Oscillation port.	
3	GNDQ	-	USB Ground.	
4	DM	I/O	USB's Plus Data.	
5	DP	I/O	USB's Minus Data.	
6	VDDQ	-	USB's Power Supply.	
7~12	N.C.	-	Open.	
13	ADC.VDD	-	Analog Power Supply.	
14	ADC.GND	-	Analog Ground.	
15	GND	-	-	
16	/RESET	I	Reset port for Control Engine Core.	
17	N.C.	-	Open.	
18	P03	I/O	Port 03. RTS Control.	
19	INTP1	I	Maskable Interruption port.	
20~33	N.C.	-	Open.	
34	P50	I/O	Port 50. CTS Control.	
35	N.C.	-	Open.	
36	PULSE	O	Pulse Output port for Operation.	
37	SIB2	I	3-bus Serial Data Input port.	
38	SOB2	O	3-bus Serial Data Output port.	
39	SCKB2	I/O	3-bus Serial Clock Input port.	
40~42	N.C.	-	Open.	
43	OCI	I	USB's Over Current Condition Input port.	
44	PPON	O	USB's Current Control Output port.	
45	TEST	I	Test port.	
46	/STANDBY	I	Standby port.	
47	REGS	-	External Capacitor Connection port for Standby.	
48	C.VDD	-	Power Supply for Control Engine Core.	
49	C.GND	-	Ground for Control Engine Core.	

## CIRCUIT DESCRIPTION

Port No.	Port Name	I/O	Explanations	Logic
50	XTAL	I	Crystal Connection port.	
51	X.GND	-	Ground Connection for Crystal.	
52	/XTAL	O	Crystal Connection port.	
53	X.VDD	-	Ground Connection for Crystal.	
54	DA.VDD	-	Power Supply for DAC.	
55	LOUT	O	Audio L-ch Output.	
56	DA.GND	-	Ground for DAC.	
57	REGC	-	External Capacitor Connection port for Band Gap.	
58	DA.GND	-	Ground for DAC.	
59	ROUT	O	Audio R-ch Output.	
60	DA.VDD	-	Power Supply for DAC.	
61	D.GND	-	Ground for Digital Circuitry.	
62	D.VDD	-	Power Supply for Digital Circuitry.	
63	REG16	-	External Capacitor Connection port for 1.6V regulator.	
64	LRCK	O	3-Bus Audio Output.	
65	SCKO	O	3-Bus Audio Output.	
66	DOUT	O	3-Bus Audio Output.	
67~70	USBMON0-3	I/O	Monitor Output.	
71	C33M	O	DRAM Clock.	
72	/RCS	O	DRAM CS.	
73	CKE	O	DRAM CKE Output.	
74	/RAS	O	DRAM RAS Output.	
75	/CAS0	O	DRAM Lower CAS.	
76	/CAS1	O	DRAM Upper CAS.	
77	/WE	O	DRAM WE Output.	
78	/OE	O	DRAM OE Output.	
79~94	RDB0-15	I/O	DRAM Data 0-15 I/O port.	
95	IO.GND	-	Ground Connection for I/O port.	
96	IO.VDD	-	Power Supply for I/O port.	
97~108	RA0-11	O	DRAM Address 0-11 Output.	
109~115	N.C.	-	Open.	
116	A.VDD	-	Power Supply for Analog Circuitry.	
117	A.GND	-	Ground for Analog Circuitry.	
118~126	N.C.	-	Open.	
127	A.VDD	-	Power Supply for Analog Circuitry.	
128	A.GND	-	Ground for Analog Circuitry.	
129~142	N.C.	-	Open.	
143	A.VDD	-	Power Supply for Analog Circuitry.	
144	A.GND	-	Ground for Analog Circuitry.	

# KRF-V6200D/V7200D

## CIRCUIT DESCRIPTION

### ● NJU3713AV: 12 Bit Serial-Parallel Converter (IC750: X08) Port Descriptions

Port No.	Port Name	I/O	Explanations	Logic
1~4	P5-8	O	Parallel converted data output port.	
5	Vss	-	GND	
6	NC	-	Non connection	
7~10	P9-12	O	Parallel converted data output port.	
11	DATA	I	Serial data input port.	
12	CLK	I	Clock signal input port.	
13	/STB	I	Strobe signal input port.	
14	/CLK	I	Clear signal input port.	
15	NC	-	Non connection	
16~19	P1-4	O	Parallel converted data output port.	
20	Vdd	-	Power supply.	

\*book referred to maker's semiconductor handbook

### ● CS493263-CLZ (IC501: X08) Port Description

Pin No.	Pin Name	I/O	Description
1	VD1	-	Power supply for digital circuit (+2.5V)
2	DGND1	-	Ground for digital circuit
3	AUDATA3	O	Digital audio output port-3
4	/WR	I	This port serves as the active-low data-write-input strobe.
5	/RD	-	This port serves as the active-low data bus enable.
6	A1	I	Host parallel address bit one
7	A0	I	Host parallel address bit zero
8~11	DATA7~DATA4	-	Pulled up
12	VD12	-	Power supply for digital circuit (+2.5V)
13	DGND2	-	Ground for digital circuit
14~17	DATA3~DATA0	-	Pulled up
18	/CS		Host parallel chip selector
19	SCDIO	I/O	Serial control port data input and output
20	/ABOOT	O	Control port automatic boot enable
21	/EXTMEM	O	External memory chip selector port
22	SDATAN1	I	PCM audio data input port-1
23	VD3	-	Power supply for digital circuit (+2.5V)
24	DGND3	-	Ground for digital circuit
25	SCLKN1	I	PCM audio input bit clock
26	LRCLKN1	I	PCM audio input sampling rate clock
27	CMPDAT	I	The compressed data input port when the CDI is configured for bursty delivery
28	CMPCLK	I	PCM audio input bit clock
29	CMPREQ	I	PCM audio input sampling rate clock
30	CLKIN	I	Master clock input port
31	CLKSEL	I	DSP clock selector
32	FILT2	-	External filter for PLL

## CIRCUIT DESCRIPTION / ADJUSTMENT

Pin No.	Pin Name	I/O	Description
33	FILT1	-	External filter for PLL
34	VA	-	Power supply for clock generator (+2.5V)
35	AGND	-	Ground for PLL of clock generator
36	/RESET	I	Master reset input port
37	DD	-	Pulled up
38	DC	-	Pulled up
39	AUDATA2	O	Digital audio output port-2
40	AUDATA1	O	Digital audio output port-1
41	AUDATA0	O	Digital audio output port-0
42	LRCLK	I/O	Audio output sampling rate clock
43	SCLK	I	Audio output bit clock
44	MCLK	I/O	Audio master clock

\*book referred to maker's semiconductor handbook

### ● LC72725KV (IC761: X08) Port Description

Pin No.	Pin Name	I/O	Description
1	RDS-ID/READY	O	RDS-ID/READY output
2	RDDA	O	RDS data output
3	Vref	O	Standard voltage output (Vdda/2)
4	MPXIN	I	Base band (MPX) input
5	Vdda	-	Analog power supply (+3V)
6	Vssa	-	Analog gnd.
7	FLOUT	O	Sub carrier output (Filter output)
8	CIN	I	Sub carrier input (Comparator input)
9	TEST	I	Test signal input
10	MODE	I	Read mode setting (0: master, 1: slave)
11	Vssd	-	Digital gnd.
12	Vddd	-	Digital power supply (+3V)
13	XIN	I	Crystal oscillator input (External standard signal input)
14	XOUT	O	Crystal oscillator output (4.332MHz)
15	RST	I	RDS-ID/RAM reset
16	RDCL	I/O	RDS clock output (master), RDS clock input (slave)

\*book referred to maker's semiconductor handbook

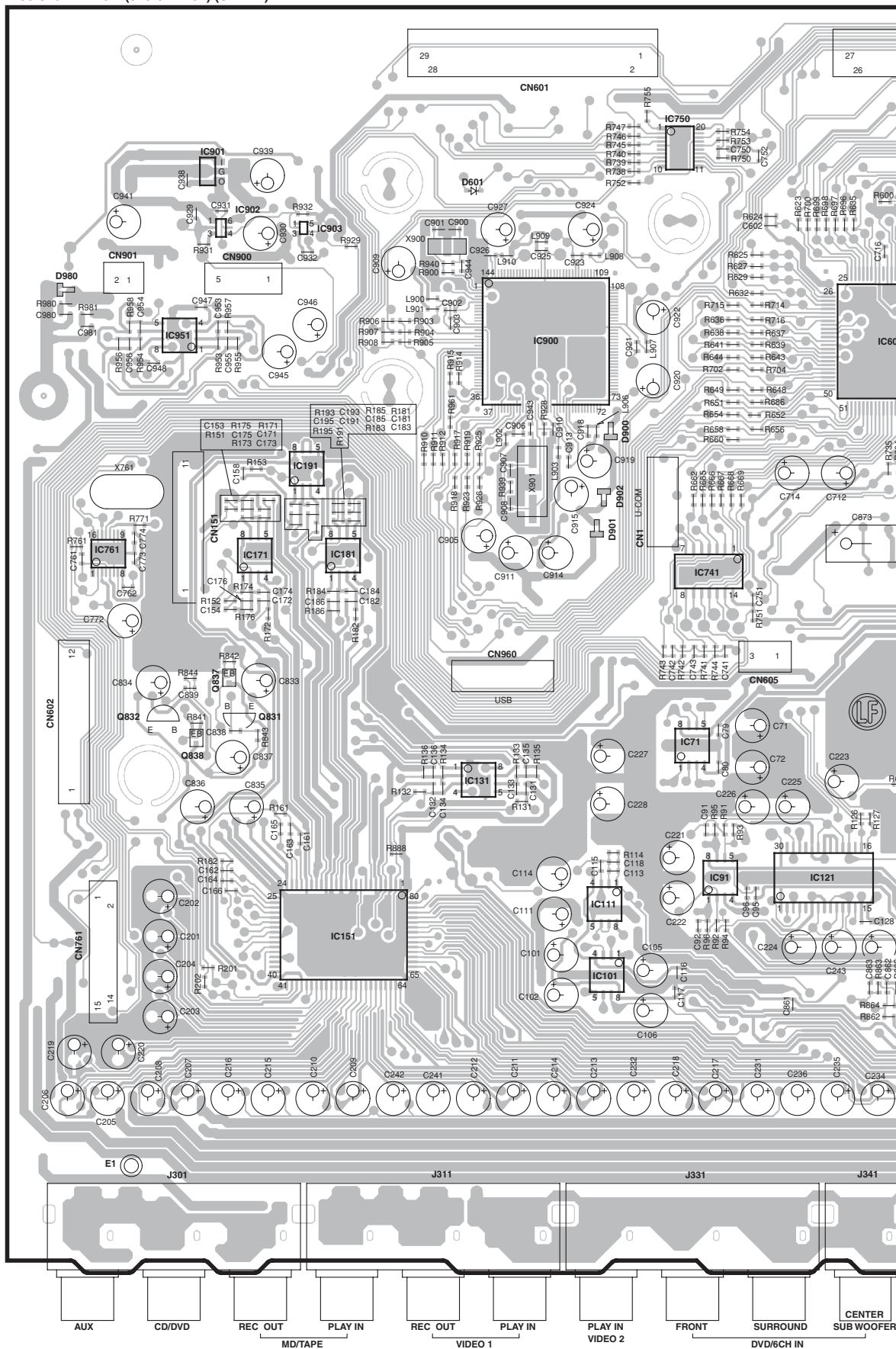
### ADJUSTMENT

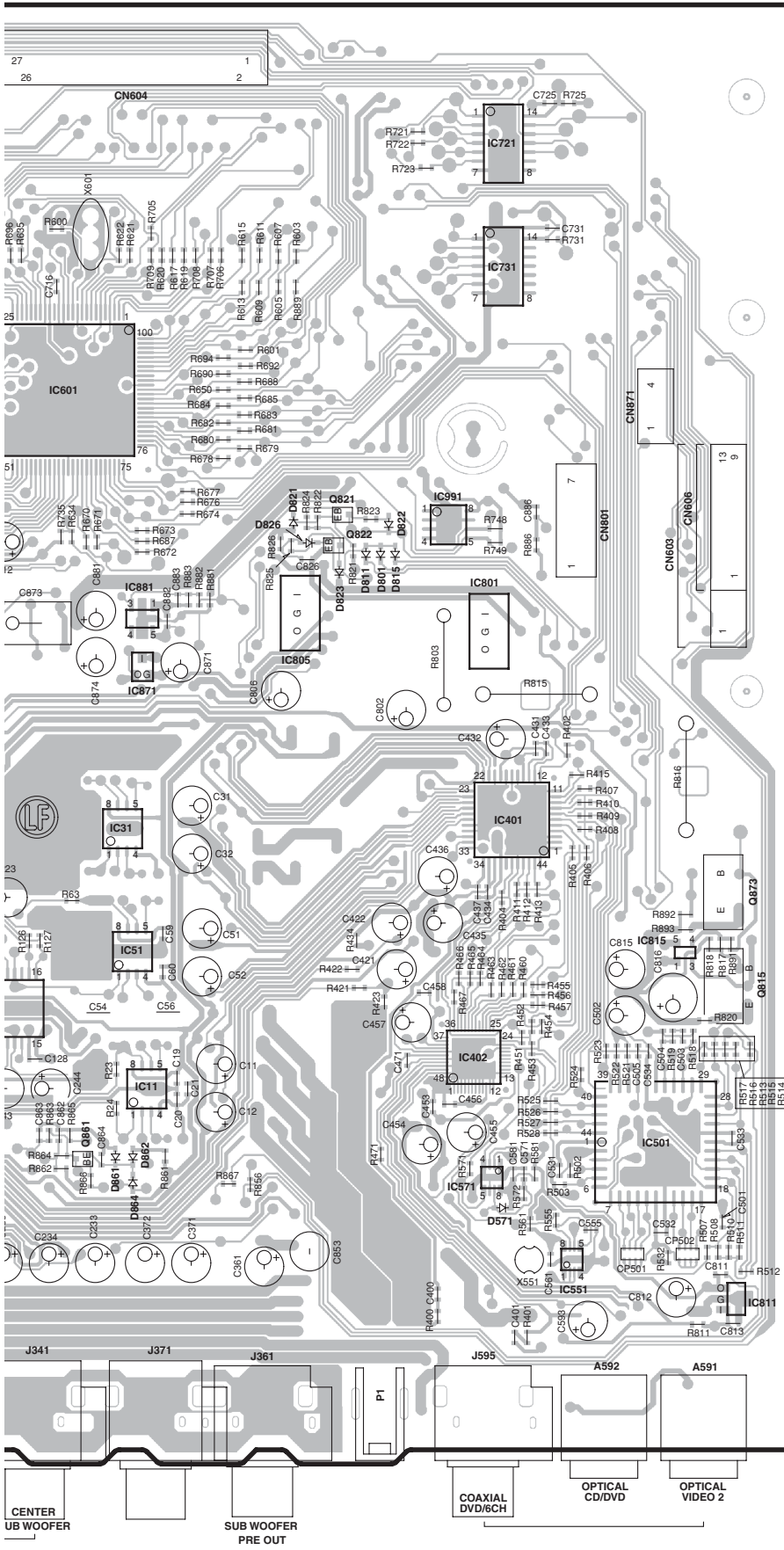
No	ITEM	INPUT SETTING	OUTPUT SETTING	RECEIVER SETTING	ALIGNMENT POINT	ALIGNMENT SETTING	FIG.
1	IDLE CURRENT (BIAS CURRENT)	No Signal	Connect VOM to CN7 (L-ch) or CN6 (R-ch) X09-703	VOLUME: Minimum	VR3 (L-ch) VR4 (R-ch) X09-703	17.6mV	
2	OFFSET	No Signal	Speaker terminals	VOLUME: Minimum	VR1 (L-ch) VR2 (R-ch) X09-703	0+-20mV	

Adjust every potentiometers 10 minutes later after turning on.

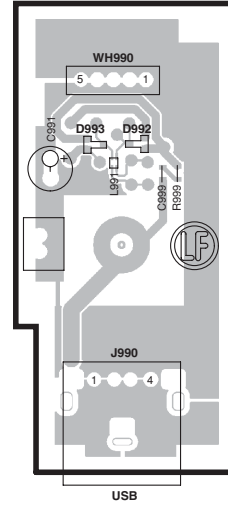
# KRF-V6200D/V7200D PC BOARD

X08-3492-71 A/2 (J75-0117-01) (SIDE A)





X08 B/2



CENTER  
UB WOOFER

SUB WOOFER  
PRE OUT

COAXIAL  
DVD/6CH

OPTICAL  
CD/DVD

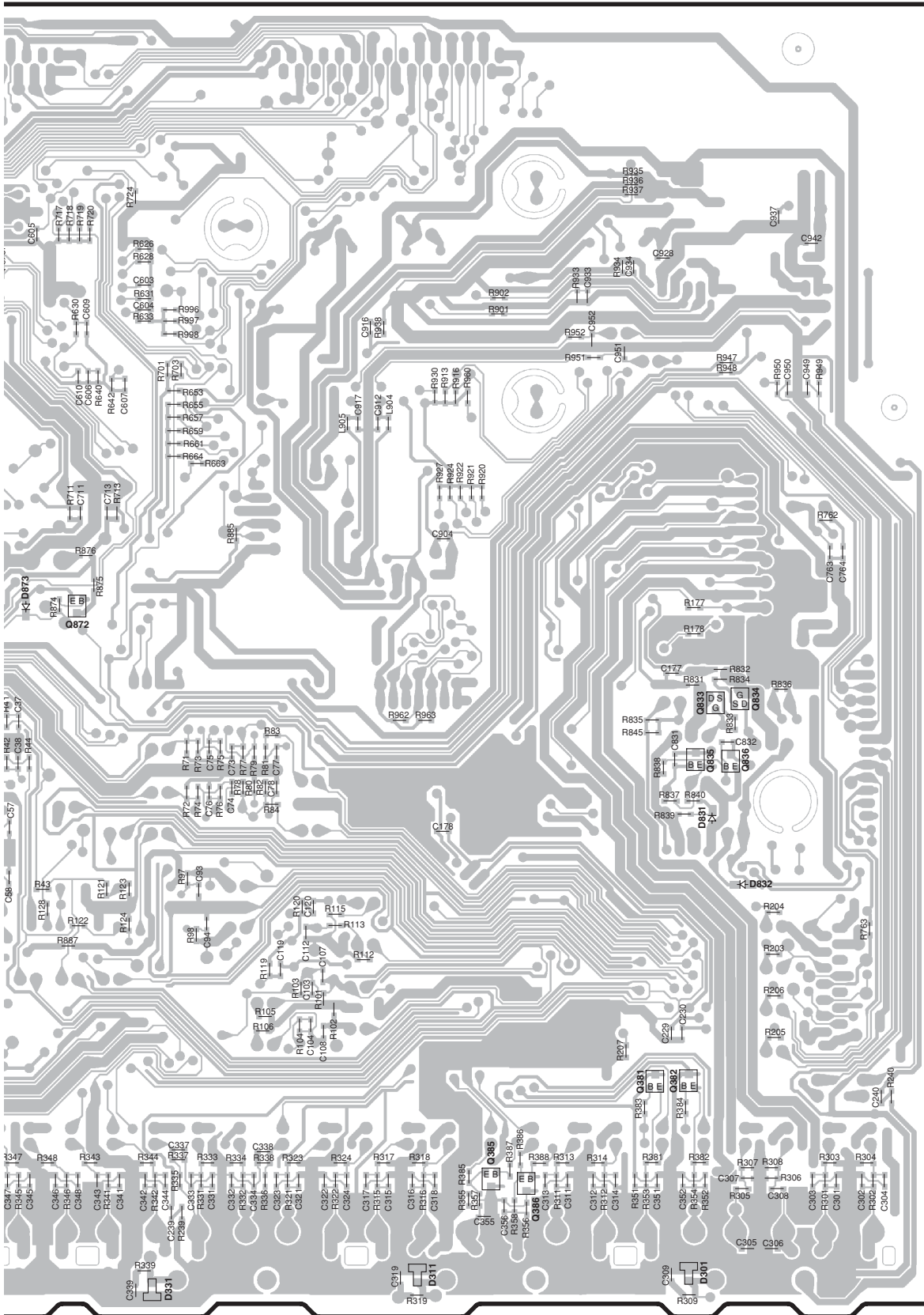
OPTICAL  
VIDEO 2

Refer to the schematic diagram for the values of resistors and capacitors.





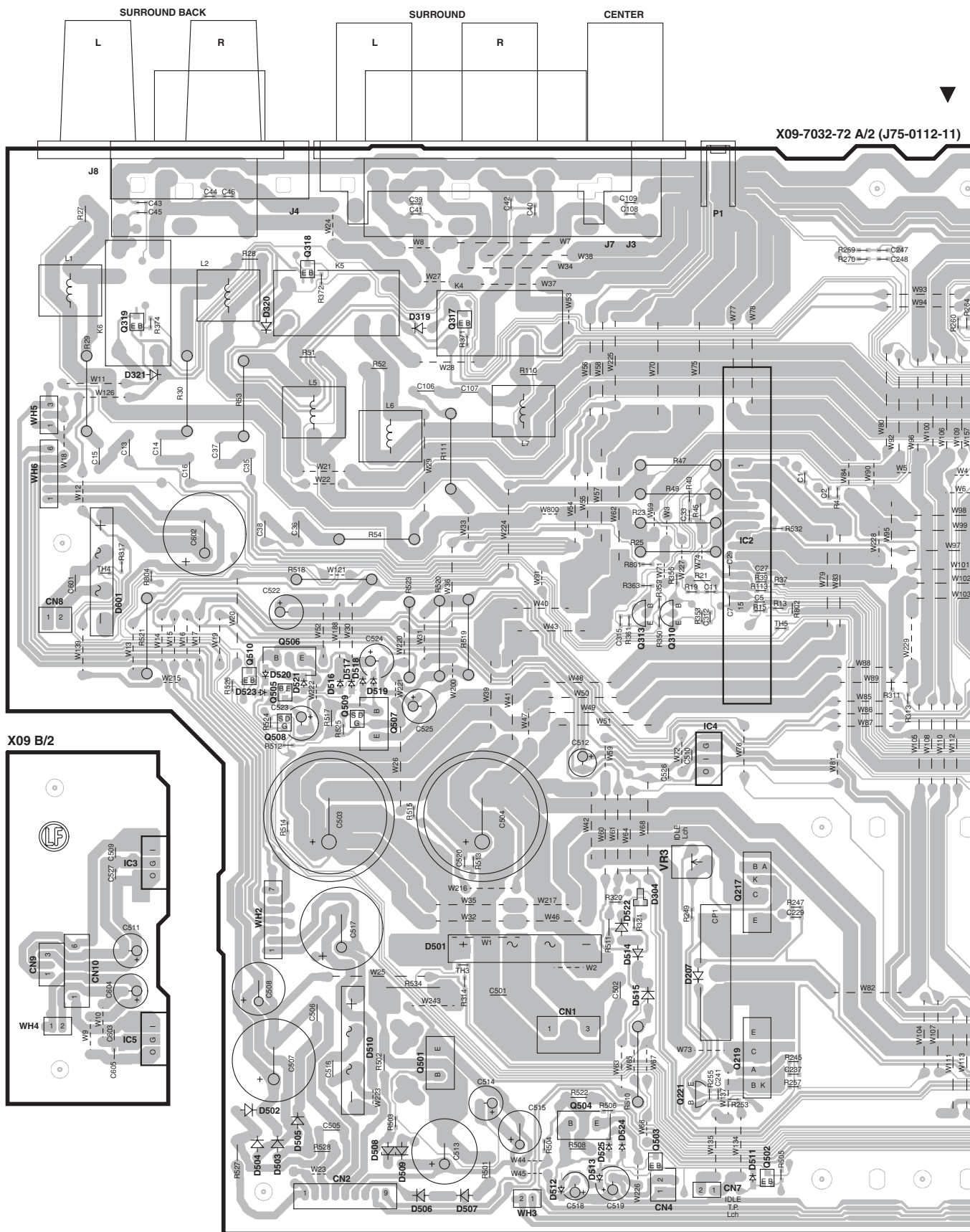




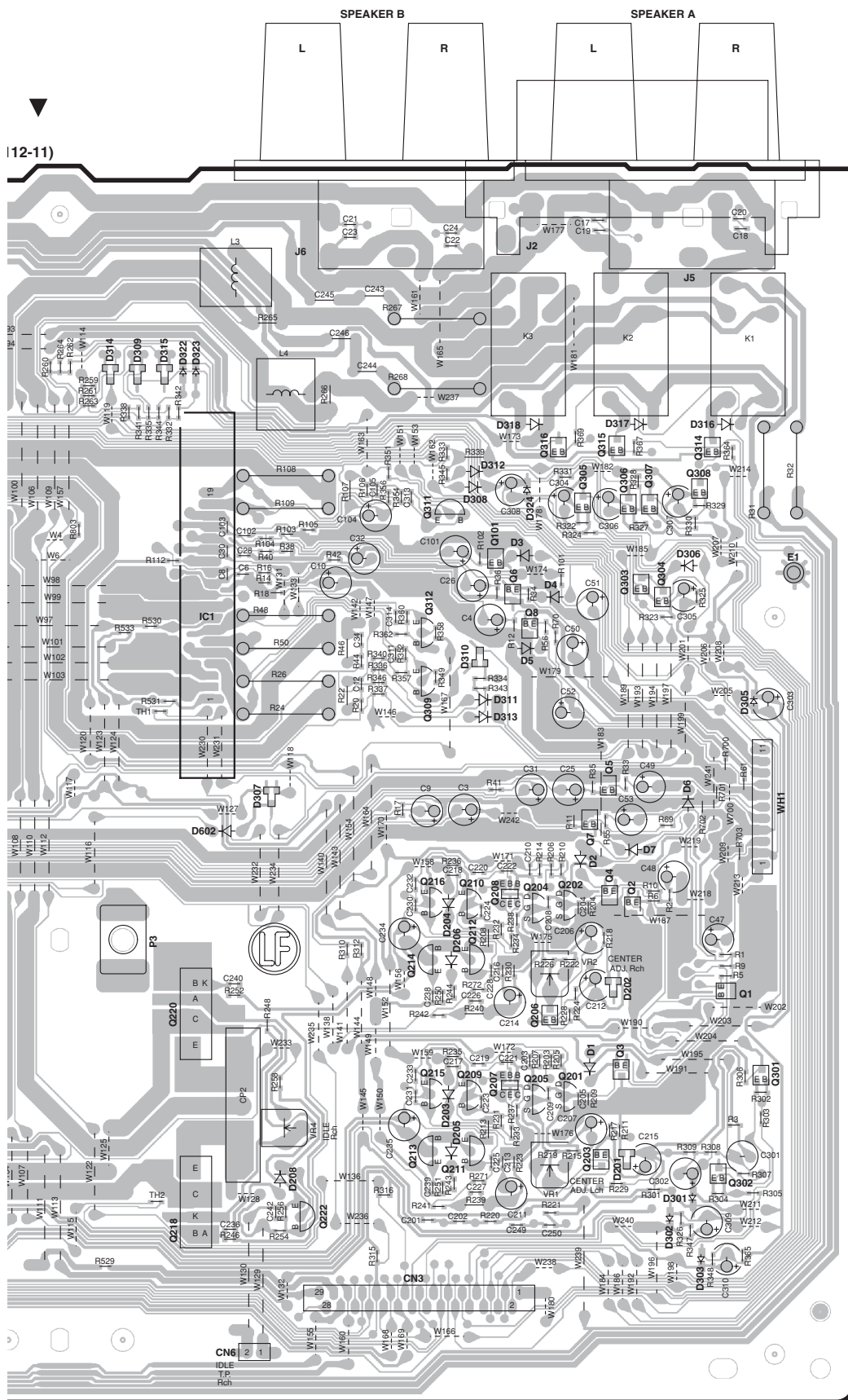
Refer to the schematic diagram for the values of resistors and capacitors.

U V W X Y  
KRF-V6200D/V7200D  
PC BOARD

X09-7032-72 A/2 (J75-0112-11)



X09 B/2

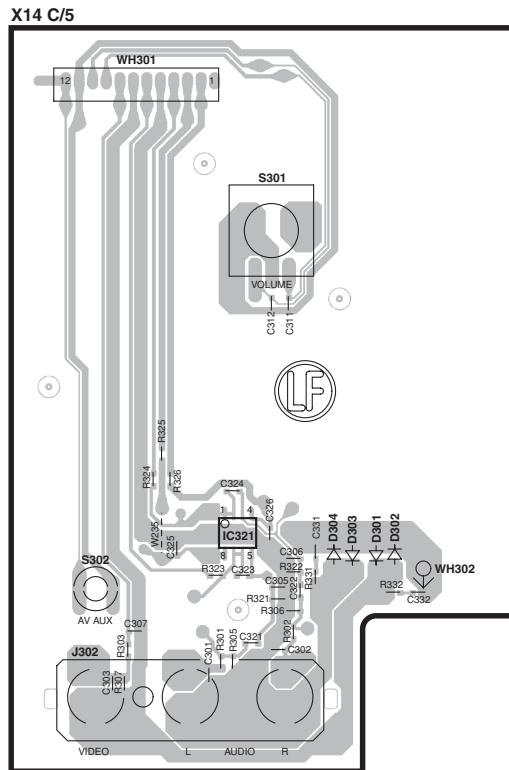
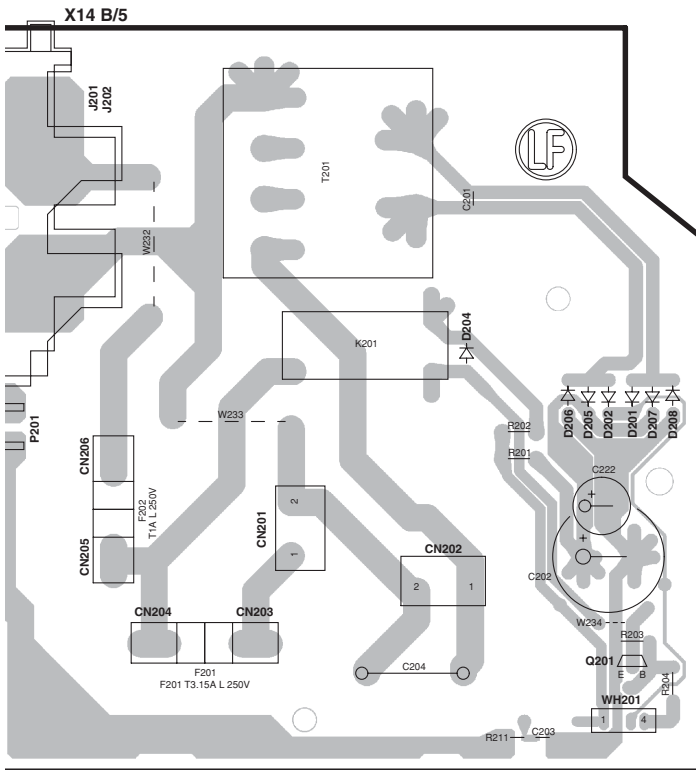
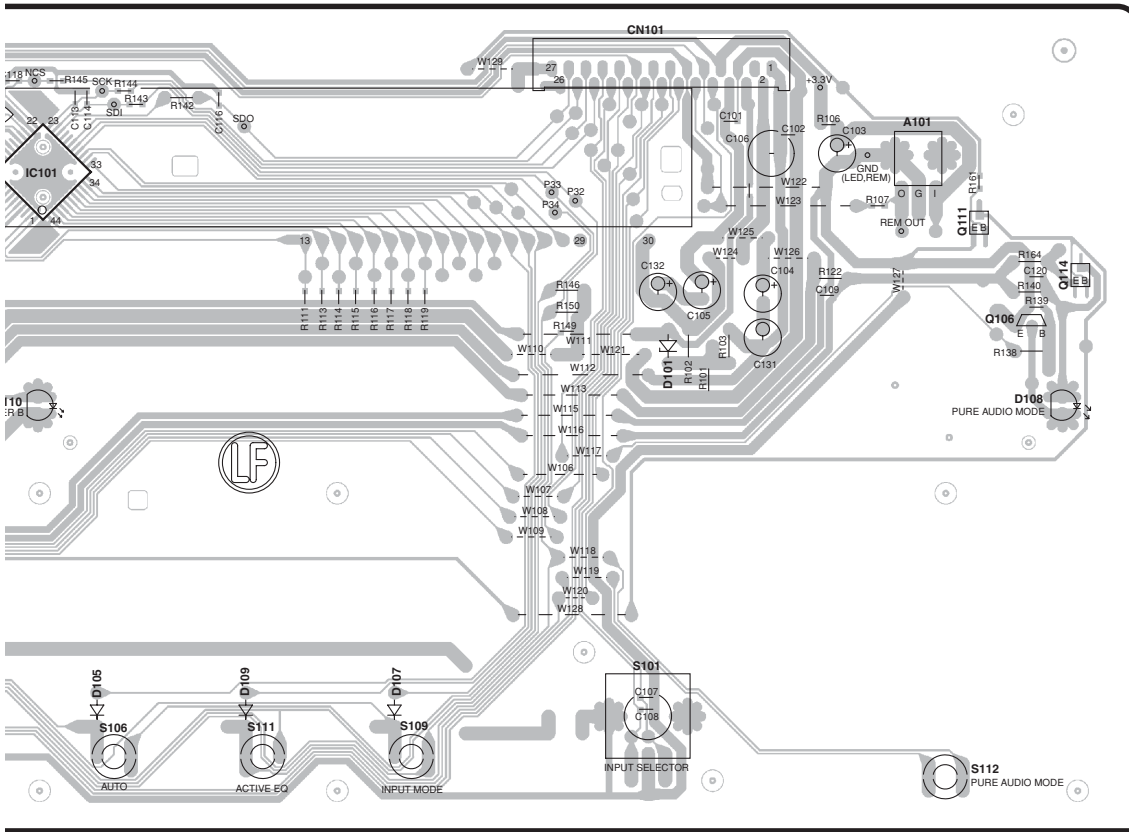


Refer to the schematic diagram for the values of resistors and capacitors.





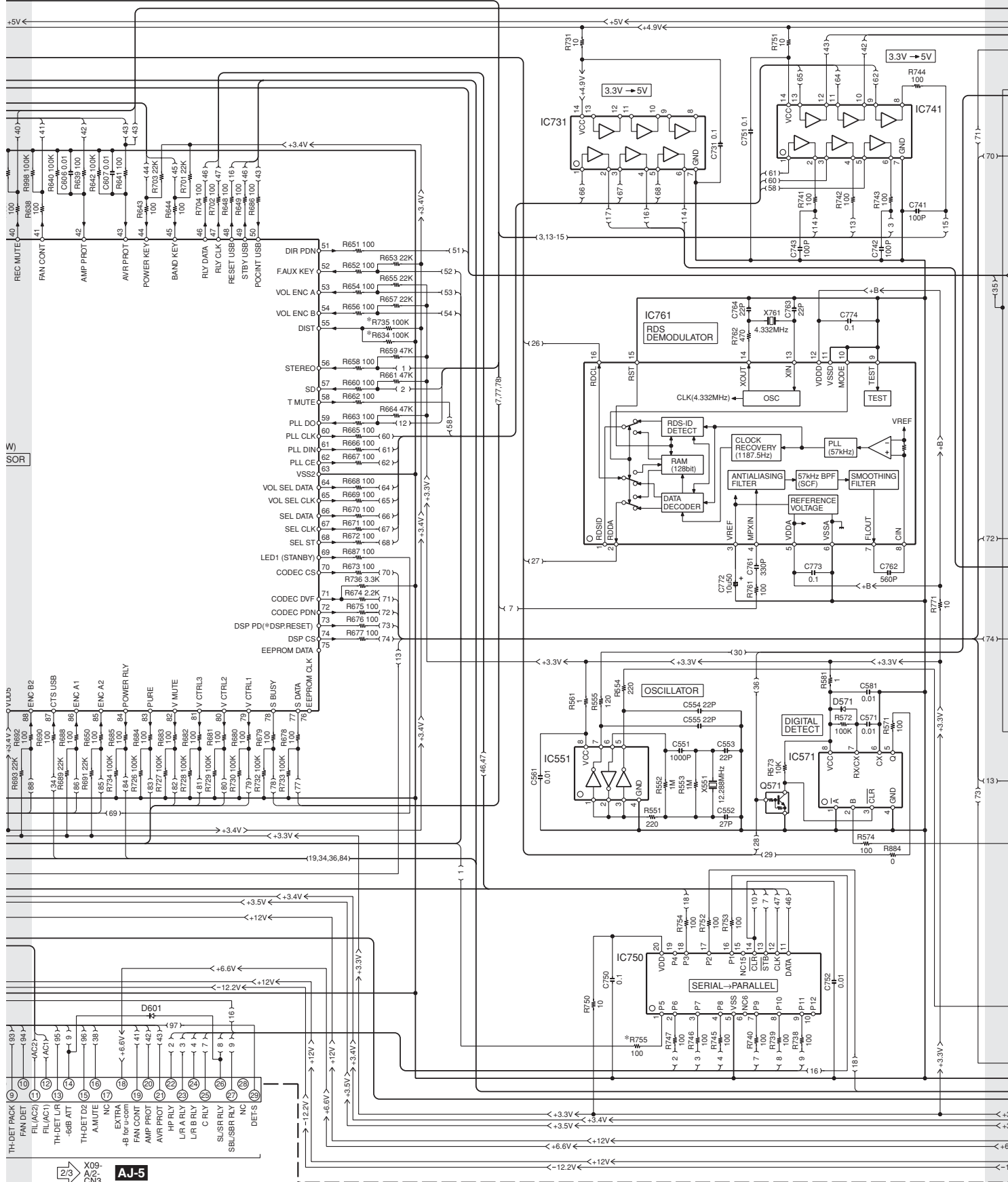
1  
2  
3  
4  
5  
6  
7



Refer to the schematic diagram for the values of resistors and capacitors.

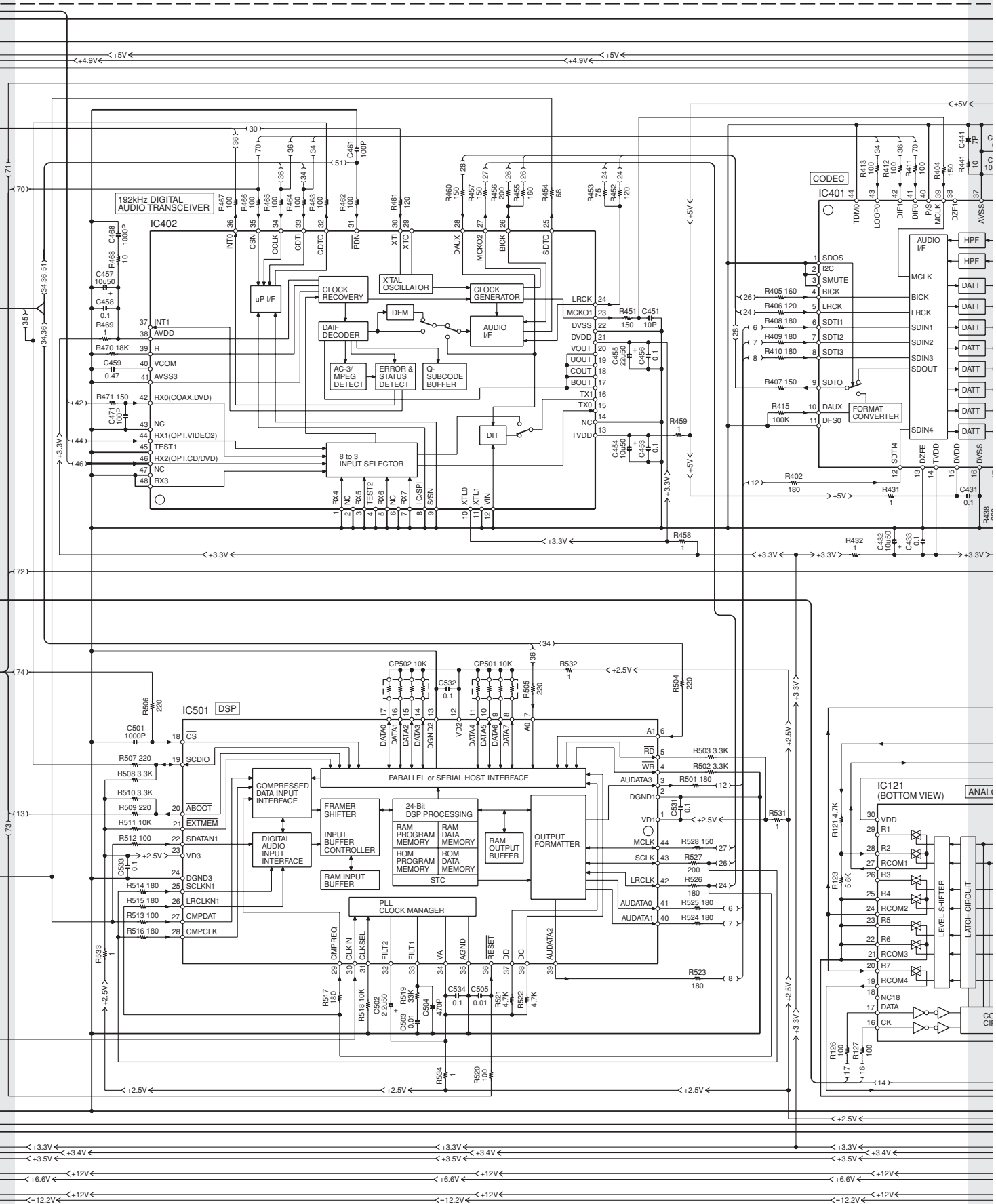


# KRF-V6200D/V7200D



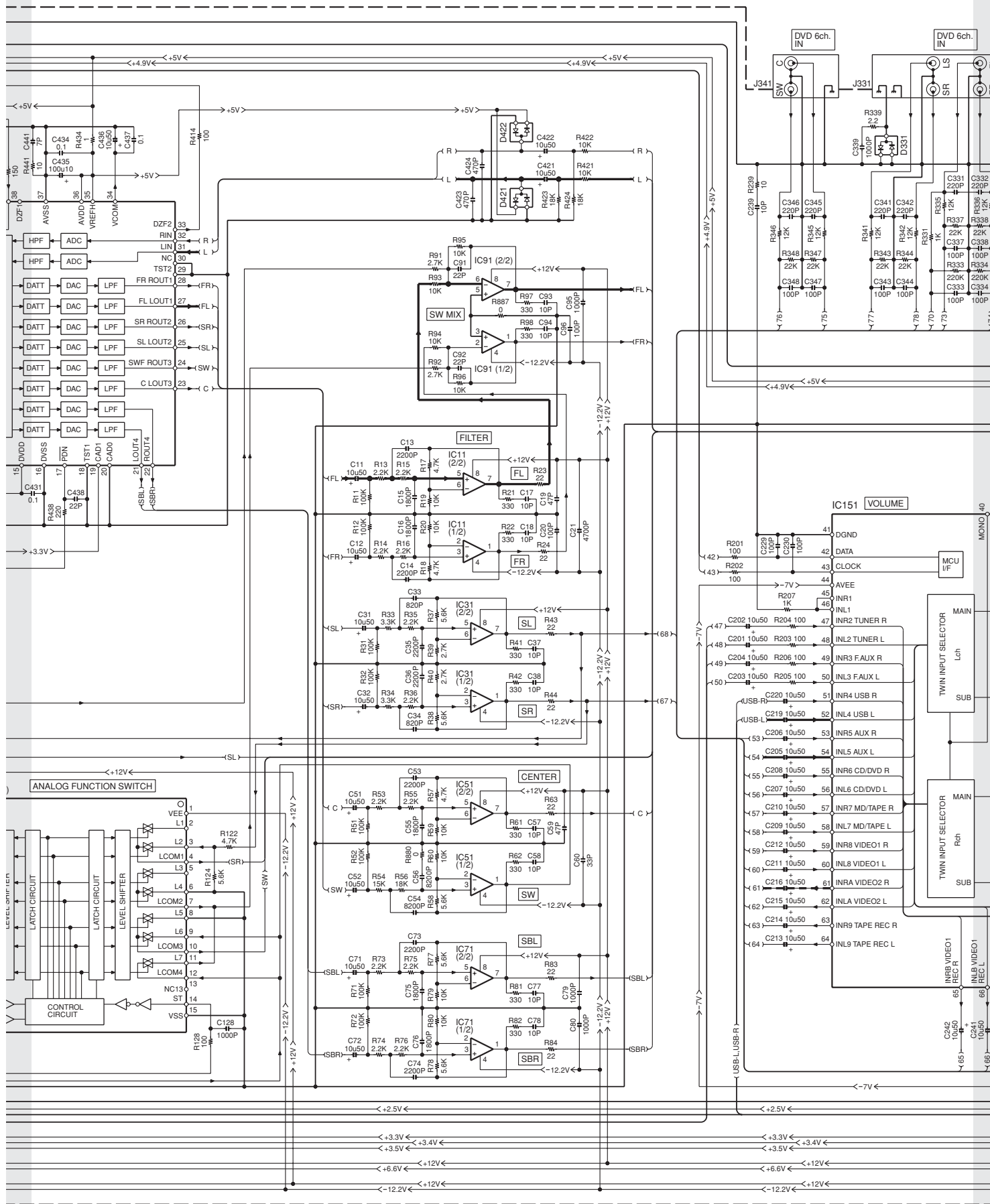
2/3 X09-A/2-CN3 **AJ-5**

# KRF-V6200D/V7200D

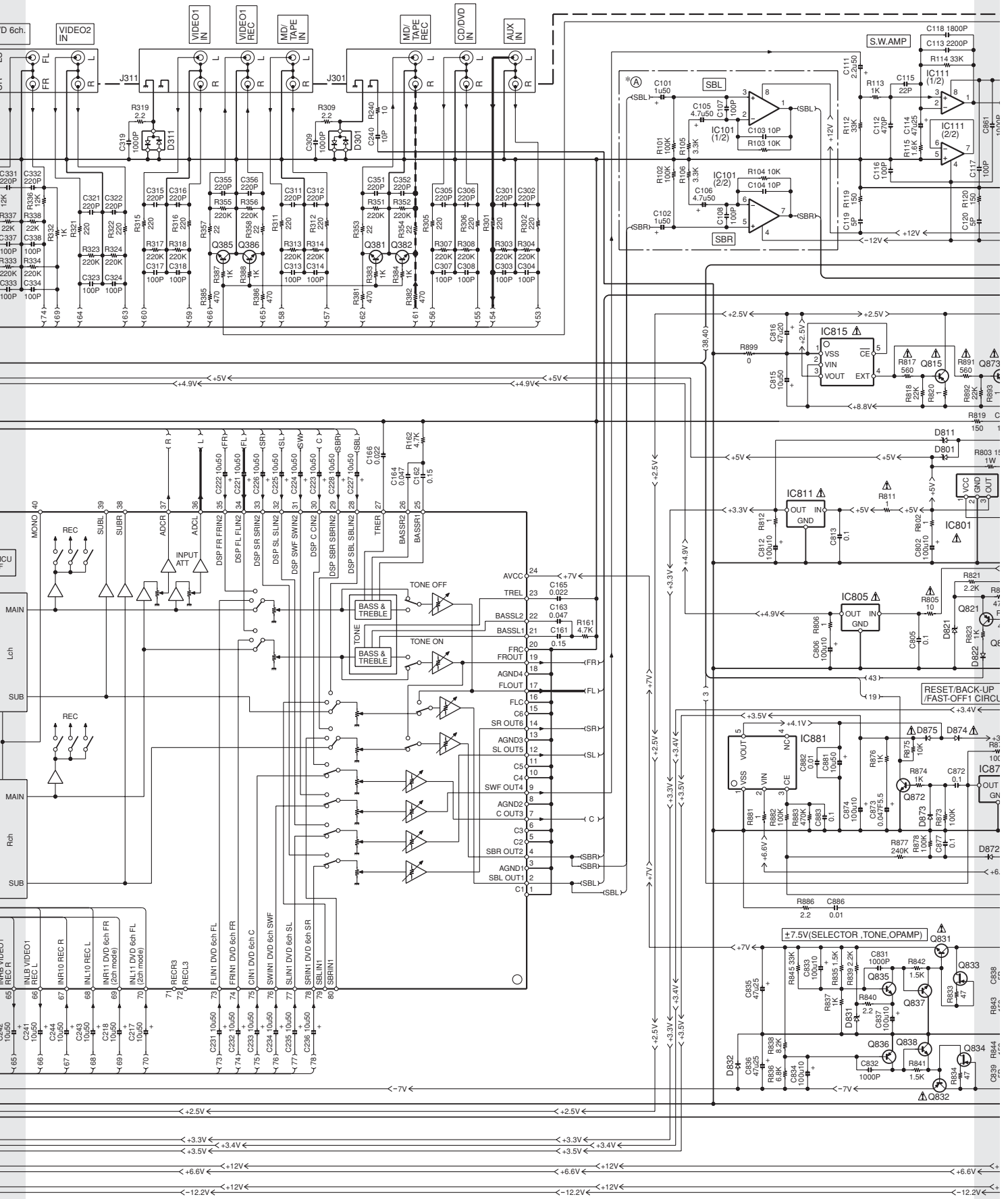




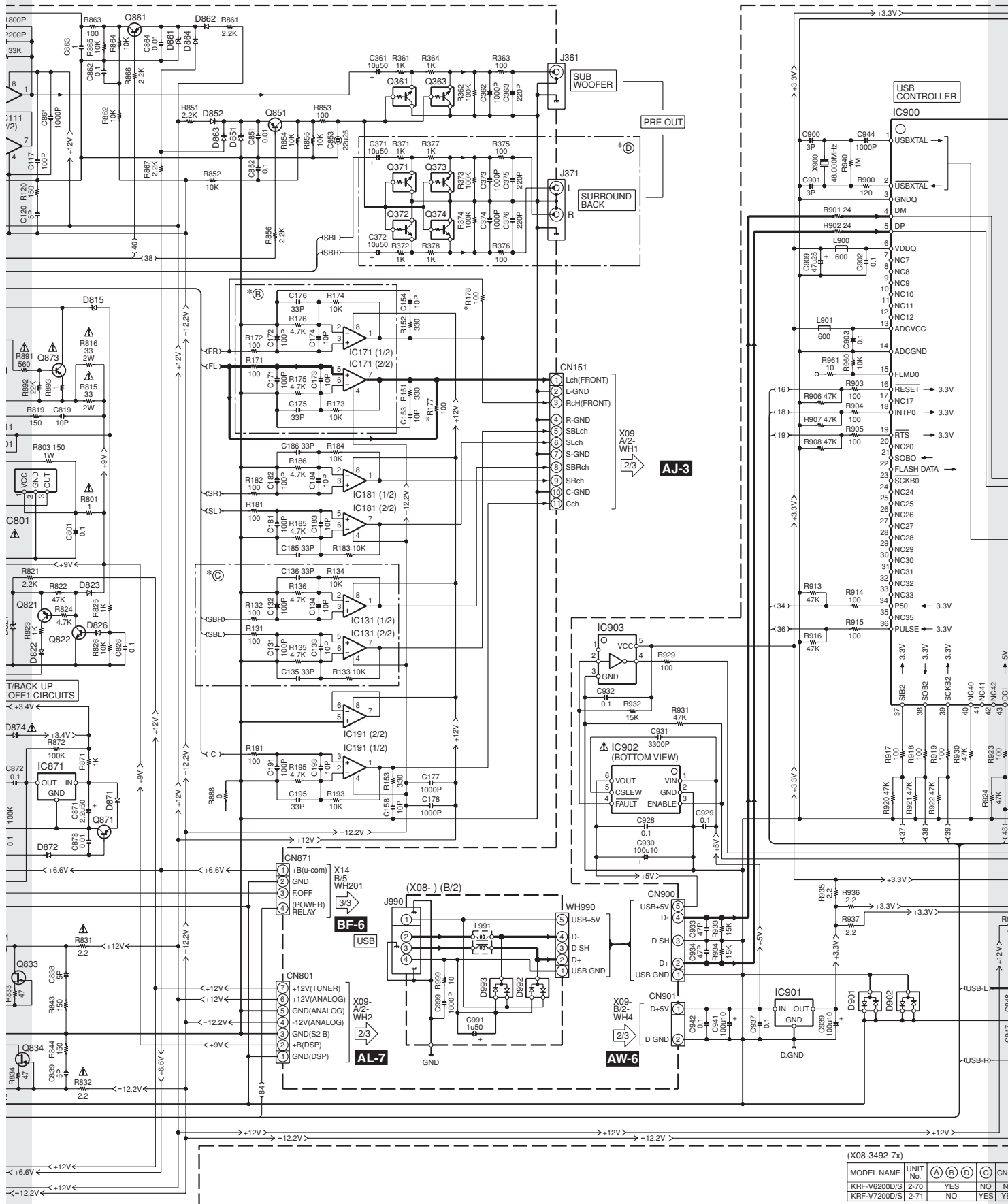
# KRF-V6200D/V7200D



# KRF-V6200D/V7200D



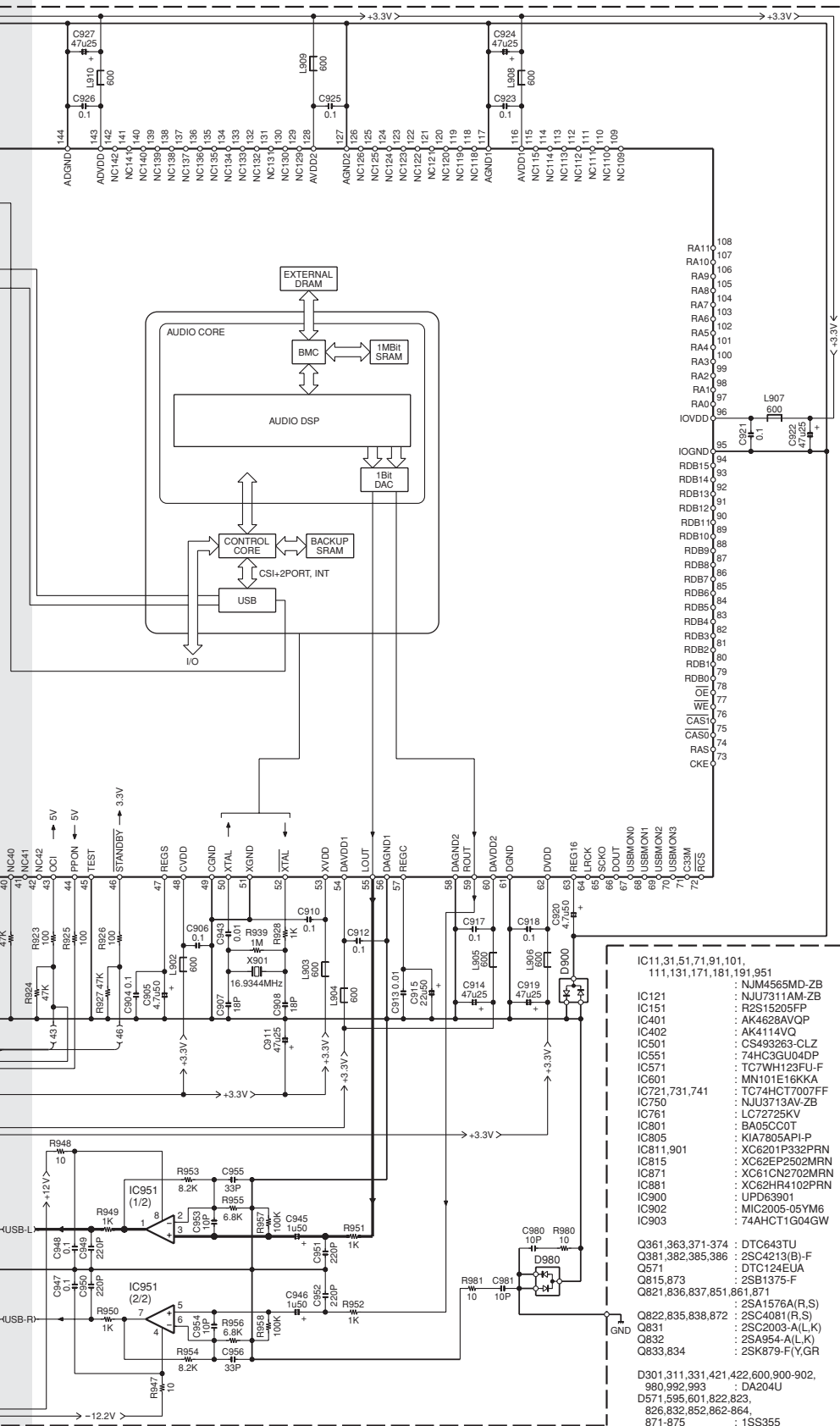
# KRF-V6200D/V7200D



(X08-3492-7x)

MODEL NAME	UNIT No.	(A)	(B)	(D)	(C)	CN60
KRF-V6200D/S	2-70	YES	NO	NO	NO	NO
KRF-V7200D/S	2-71	NO	YES	YES	YES	YES

# KRF-V6200D/V7200D



- IC11,31,51,71,91,101, 111,131,171,181,191,951
- IC121 : NJM4565MD-ZB
  - IC151 : NJU7311AM-ZB
  - IC201 : R2S15205FP
  - IC401 : AK4628AVQP
  - IC402 : AK4114VQ
  - IC501 : CS493263-CLZ
  - IC551 : 74HC3GU04DP
  - IC571 : TC7WH123FU-F
  - IC601 : MN101E16KKA
  - IC721,731,741 : TC74HCT7007FF
  - IC750 : NJU3713AV-ZB
  - IC761 : LC27225KV
  - IC801 : BA05CC0T
  - IC805 : KIA7805API-P
  - IC811,901 : XC6201P332PRN
  - IC815 : XC62EP2502MRN
  - IC871 : XC61CN2702MRN
  - IC881 : XC62HR1102PRN
  - IC900 : UPD63901
  - IC902 : MIC2005-05YM6
  - IC903 : 74AHCT1G04GW

- Q361,363,371-374 : DTC643TU
- Q381,382,385,386 : 2SC4213(B)-F
- Q571 : DTC124EUA
- Q815,873 : 2SA13175-F
- Q821,836,837,851,861,871 : 2SA1576A(R,S)
- Q822,835,838,872 : 2SC4081(R,S)
- Q831 : 2SC2003-A(L,K)
- Q832 : 2SA954-A(L,K)
- Q833,834 : 2SK879-F(Y,G,R)

- D301,311,331,421,422,600,900-902, 980,992,993 : DA204U
- D571,595,601,822,823, 826,832,852,862-864, 871-875 : 1SS355
- D801,811 : UDZS5.6B
- D815,821 : UDZS3.9B
- D831 : UDZS2.4B
- D851,861 : UDZS3.3B

Ⓛ	Ⓞ	CN603	CN606	R177,178, 735,755	R604, 616	R634, 889
NO	NO	YES	NO	100K	YES	YES
YES	YES	NO	YES	1.6K	NO	NO

RECORDING LINE KRF-V6200D/V7200D (1/3)  
 SIGNAL LINE  
 GND LINE  
 +B LINE  
 -B LINE

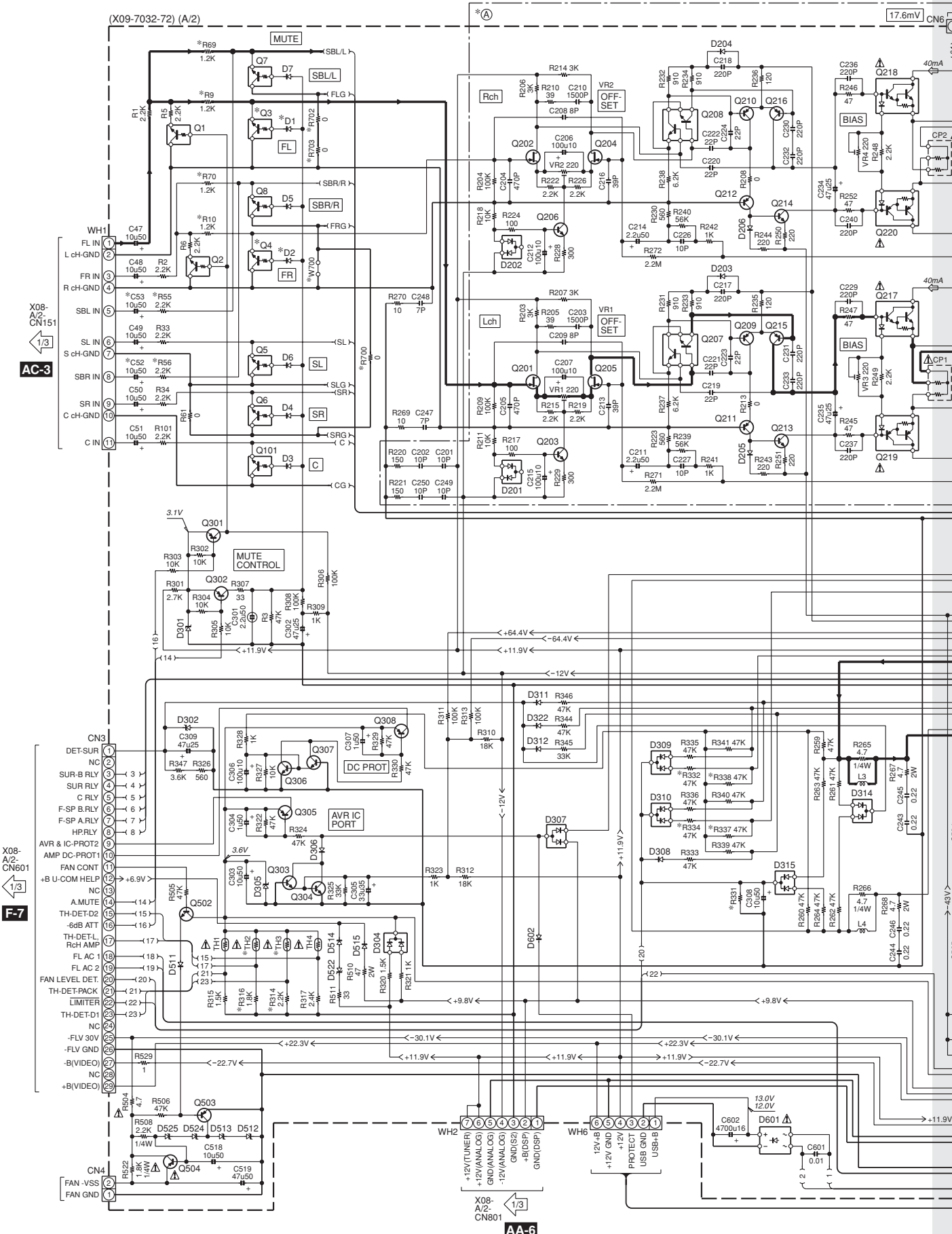
1  
2  
3  
4  
5  
6  
7

**CAUTION:** For continued safety, replace safety critical components only with manufacturer's recommended parts (refer to parts list). ⚠ indicates safety critical components. For continued protection against risk of fire, replace only with same type and rating fuse(s). To reduce the risk of electric shock, leakage-current or resistance measurements shall be carried out (exposed parts are acceptably insulated from the supply circuit) before the appliance is returned to the customer.

The DC voltage is an actual reading measured with a high impedance type voltmeter with no signal input. The measurement value may vary depending on the measuring instruments used or on the product.

# KRF-V6200D/V7200D

1  
2  
3  
4  
5  
6  
7



X08-A/2-CN151  
AC-3

X08-A/2-CN601  
F-7

X08-A/2-CN801  
AA-6

# KRF-V6200D/V7200D

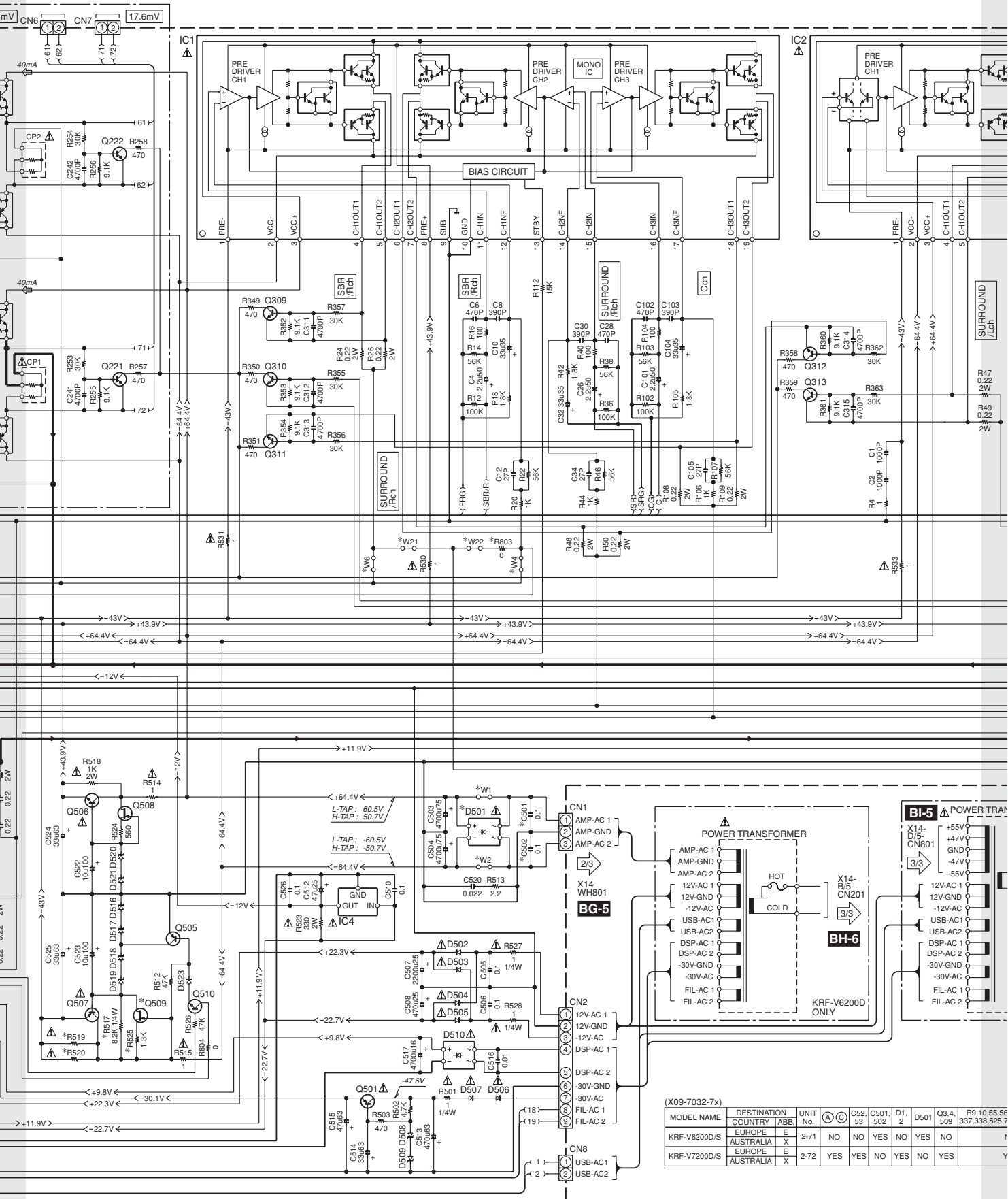
AO

AP

AQ

AR

AS

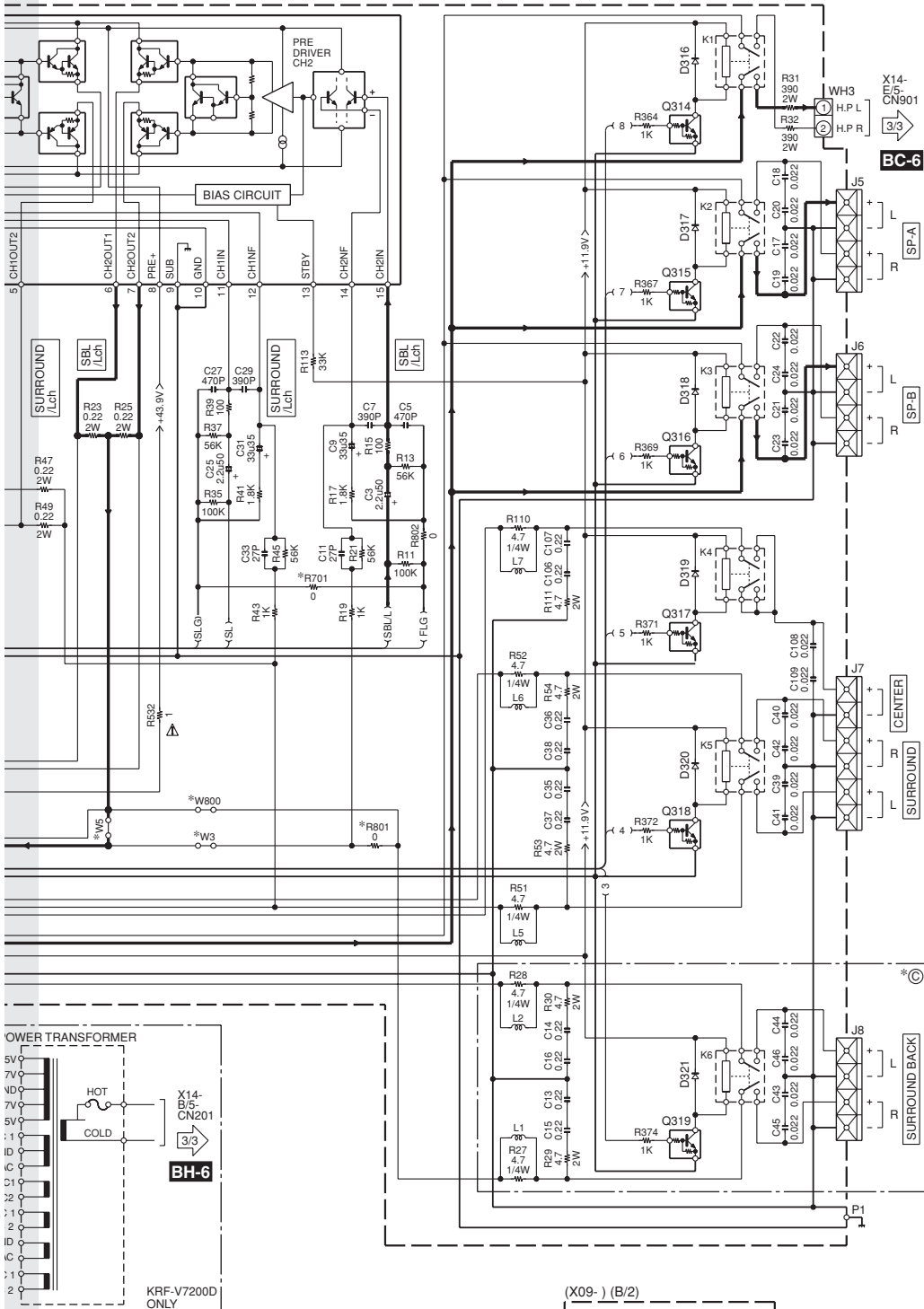


(X09-7032-7x)

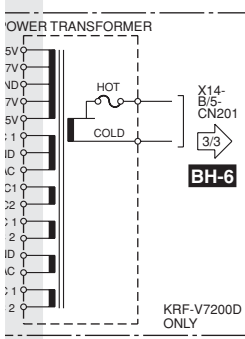
MODEL NAME	DESTINATION COUNTRY	ABB.	UNIT No.	(A) (C)	C52	C50	D1	D501	Q3.4	R9.10.55.56
KRF-V6200D/S	EUROPE	E	2-71	NO	NO	YES	NO	YES	NO	337.338.525.7
KRF-V7200D/S	AUSTRALIA	X	2-72	YES	YES	NO	YES	NO	YES	



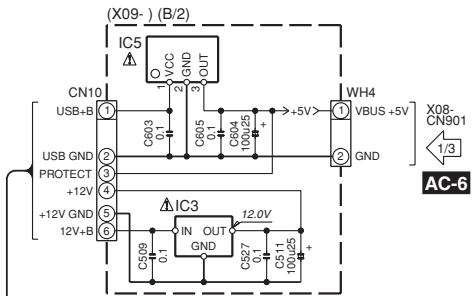
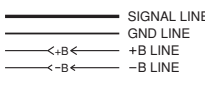
# KRF-V6200D/V7200D



- IC1 : STK433-330-E
  - IC2 : STK433-130-E
  - IC3 : KIA7812API-UP
  - IC4 : KIA7912API-UP
  - IC5 : BA05CCOT
- Q1-8,101 : DTC643TU
  - Q201,202,204,205 : 2SK364F(GR,BL)
  - Q203,206,303,304,306,307,502,510 : 2SC4081(R,S)
  - Q207,208 : IMX8
  - Q209-212,215,216 : 2SA992-A(F,E)
  - Q213,214,221,222,309-313 : 2SC1845-A(F,E)
  - Q217,218 : TRAIT10N
  - Q219,220 : TRAIT10P
  - Q301,302,305,308,503,505 : 2SA1576A(R,S)
  - Q314-319 : DTC113ZUA
  - O501,504,507 : 2SB1640-U
  - O506 : 2SD2525-Q
  - O508,509 : 2SK879-F(Y,GR)
- D1-7,203,206,306,308,311,312,316-321,514,602 : 1SS133
  - D201,202 : DA204U
  - D301,302,305 : UDZS3.3B
  - D304,309,310,314,315 : DAN202U
  - D307 : DAP202U
  - D322,511,523 : 1SS355
  - D501 : TSPF03G-B
  - D502-507,515 : SS688B(TP5)Q
  - D508 : MTZJ16(B)
  - D509 : MTZJ15(B)
  - D510,601 : TS4B03G-B1
  - D512 : UDZS11B
  - D513 : UDZS6.2B
  - D516,517 : UDZS15B
  - D518,519 : UDZS7.5B
  - D520 : UDZS16B
  - D521 : UDZS30B
  - D522 : MTZJ3.9(B)
  - D524 : UDZS5.6B
  - D525 : UDZS5.1B
- TH1-4 : NCP18WB473J0S



R9,10,55,56,316,332,334,337,338,525,700,701,801,803	R69,70,314,517,702,703	R331,520	TH2	TH3	W1,2,21,22,800	W3-6,700
NO	YES	4.7K, 3.3K, 2W	NO	YES	NO	YES
YES	NO	5.6K, 1.8K, 2W	YES	NO	YES	NO



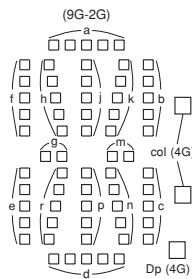
**CAUTION:** For continued safety, replace safety critical components only with manufacturer's recommended parts (refer to parts list).  $\Delta$  indicates safety critical components. For continued protection against risk of fire, replace only with same type and rating fuse(s). To reduce the risk of electric shock, leakage-current or resistance measurements shall be carried out (exposed parts are acceptably insulated from the supply circuit) before the appliance is returned to the customer.

The DC voltage is an actual reading measured with a high impedance type voltmeter with no signal input. The measurement value may vary depending on the measuring instruments used or on the product.

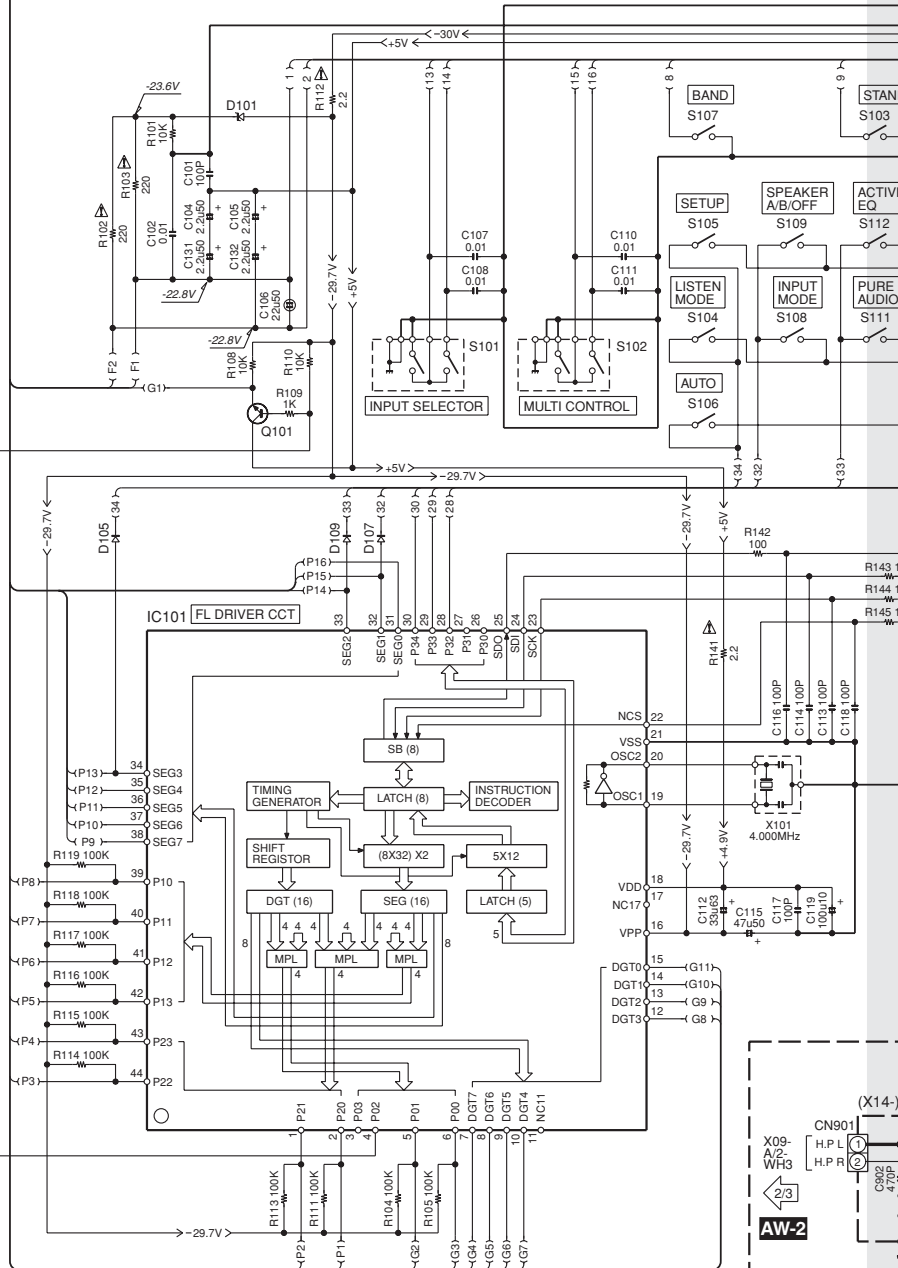
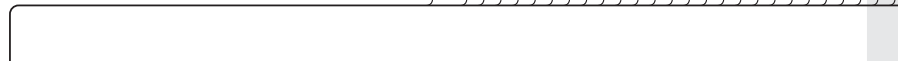
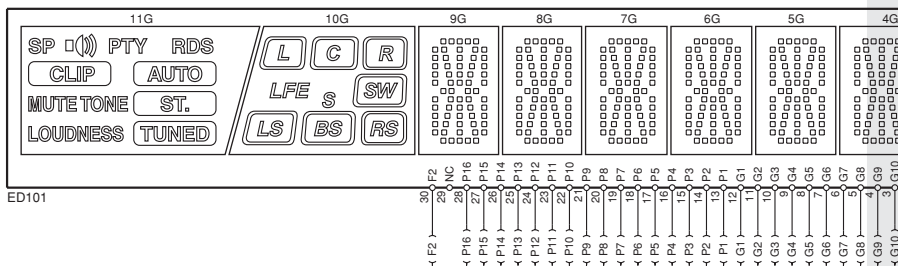
# KRF-V6200D/V7200D

11-MT-143GNK

	11G	10G	9G	8G	7G	6G	5G	4G	3G	2G	1G
P1	SP D	L	a	a	a	a	a	a	a	a	FM
P2	CLIP	C	j	j	j	j	j	j	j	j	AM
P3	MUTE	R	h	h	h	h	h	h	h	h	kHz
P4	TONER	LFE	k	k	k	k	k	k	k	k	MHz
P5	LOUDNESS	SW	b	b	b	b	b	b	b	b	(AUTO DETECT)
P6	PTY	LS	f	f	f	f	f	f	f	f	DIGITAL
P7	RDS	S	g	g	g	g	g	g	g	g	6CH INPUT
P8	AUTO	BS	m	m	m	m	m	m	m	m	DSP MODE
P9	ST.	RS	c	c	c	c	c	c	c	c	DOLBY DIGITAL
P10	TUNED	LS	e	e	e	e	e	e	e	e	EX
P11	-	(C)	r	r	r	r	r	r	r	r	PRO LOGIC
P12	-	(R)	n	n	n	n	n	n	n	n	NEC-S
P13	-	(SW)	p	p	p	p	p	p	p	p	DTS
P14	-	(LS)	d	d	d	d	d	d	d	d	-ES
P15	-	(BS)	-	-	-	-	-	-	-	-	DISCRETE 6.1
P16	-	(RS)	-	-	-	-	-	-	-	-	MATRIX 6.1



(X14-8052-72) (A/5)



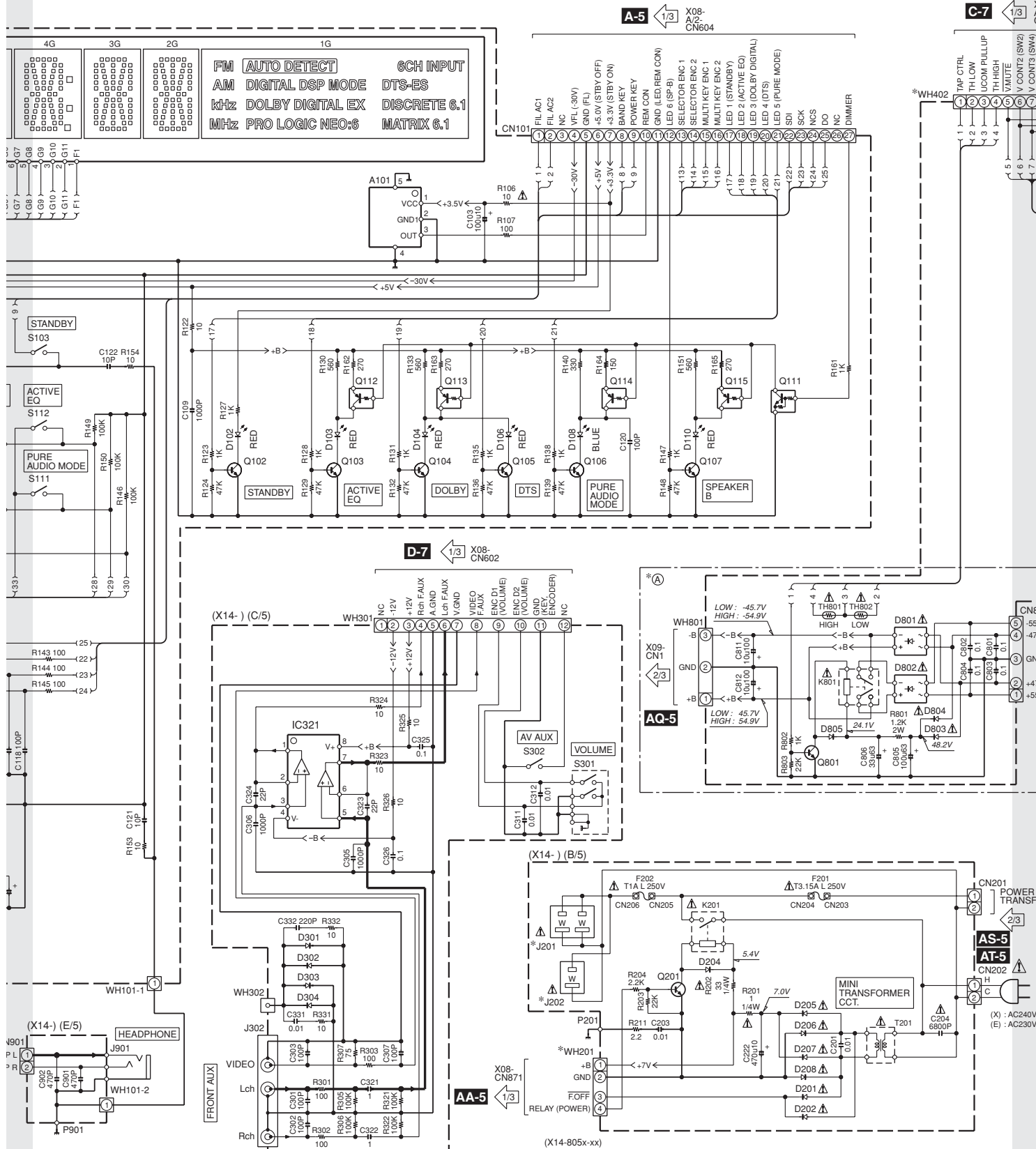
IC101 : MN12510F	Q101-107,201 : 2SC1740S(Q,R)	D101 : MTZJ6.2(B)	D401 : MTZJ3.3(B)
IC321 : BA4560RF	Q111,402 : DTC124EUA	D102-104,106,110 : B30-2597-05	D403 : MTZJ5.6(B)
IC401 : KIA7809APL-P	Q112-115 : DT1A143TUA	D801,802 : T36P03G-B	D803,804 : 15R139-400
IC402 : KIA7905PH-P	Q401,403,404 : 2SA1576A(R,S)	D105,107,109,201,202,204-208,301-304,805	
IC501,502 : MM1228XFB-E	Q405 : 2SC4081(R,S)	204-208,301-304,805	
IC802 : NJM2595M-ZB	Q407 : 2SC2003-A(L,K)	1: 1SS133	
IC701 : NJM2586AM-ZB	Q801 : 2SC1845-A(F,E)	D108 : B30-2684-05	

**CAUTION:** For continued safety, replace safety critical components only with manufacturer's recommended parts (refer to parts list).  $\Delta$  indicates safety critical components. For continued protection against risk of fire, replace only with same type and rating fuse(s). To reduce the risk of electric shock, leakage-current or resistance measurements shall be carried out (exposed parts are acceptably insulated from the supply circuit) before the appliance is returned to the customer.

The DC voltage is an actual reading measured with a high impedance type voltmeter with no signal input. The measurement value may vary depending on the measuring instruments used or on the product.



# KRF-V6200D/V7200D

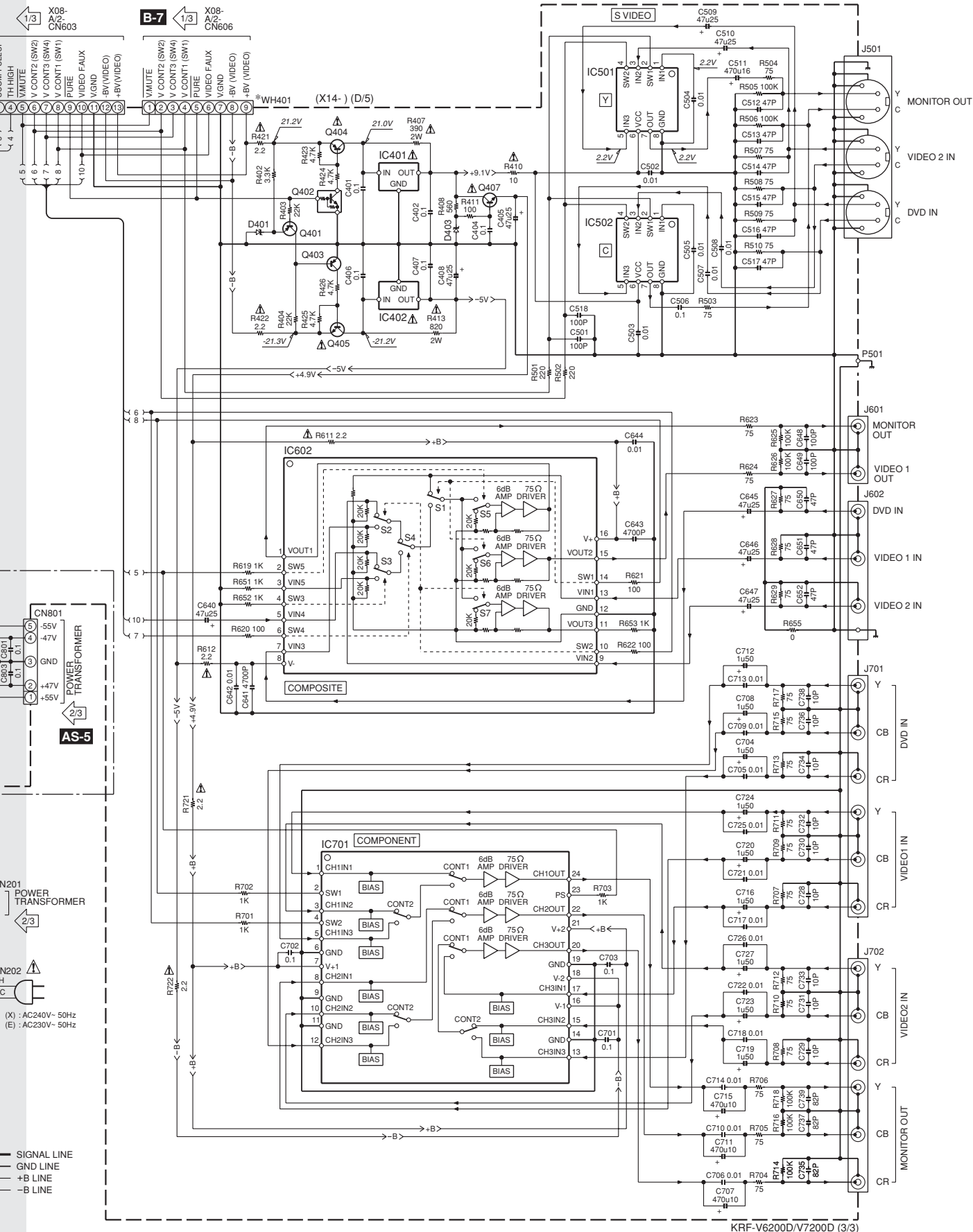


(X14-805x-xx)

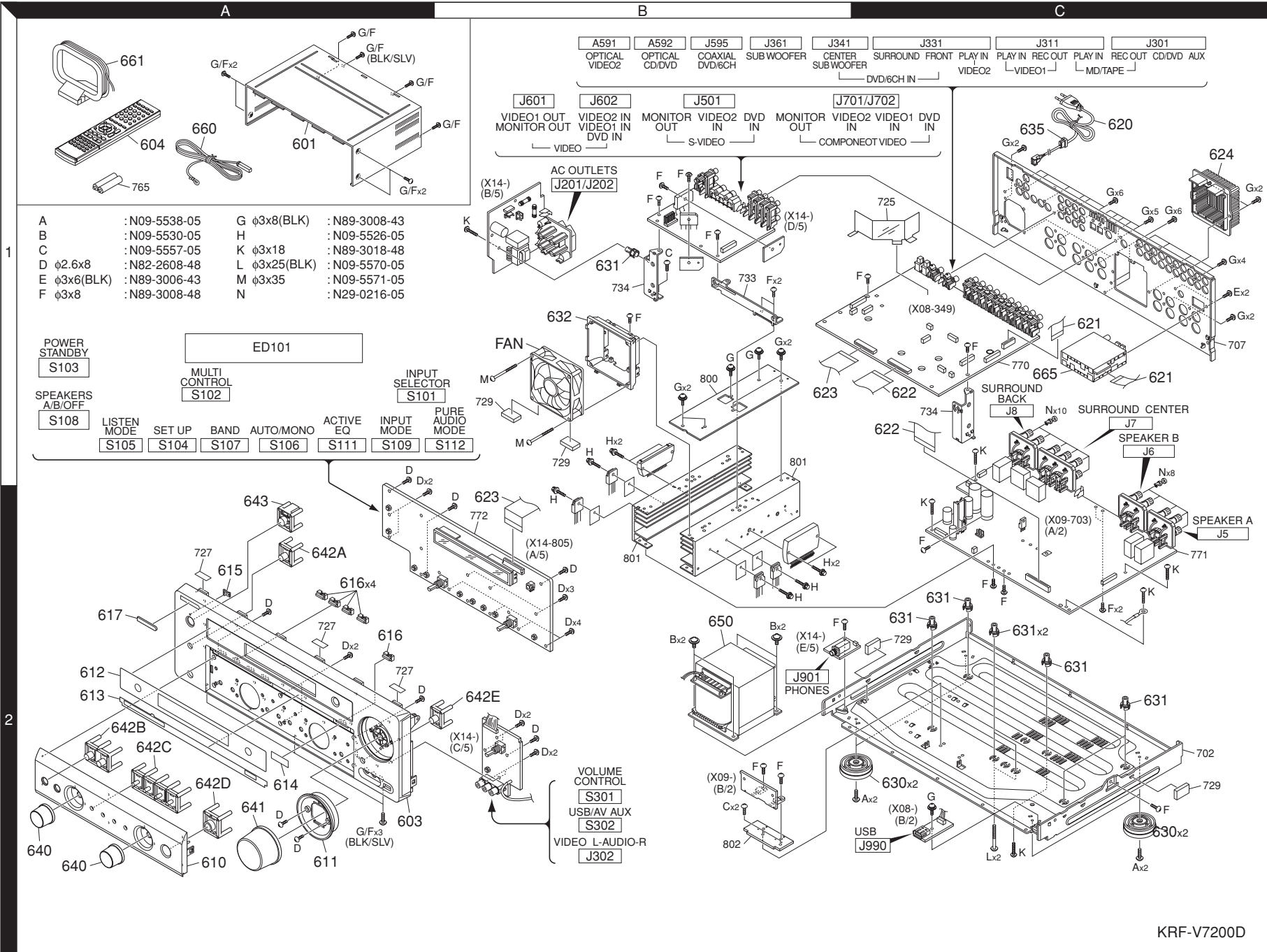
MODEL NAME	DESTINATION COUNTRY	ABB.	UNIT No.	(A)	J201	J202	WH201	WH401	WH402
KRF-V6200D/S	EUROPE	E	2-71	NO	YES	NO	E35-3494-05	YES	NO
	AUSTRALIA	X	0-72	NO	YES	NO	E35-3494-05	YES	NO
KRF-V7200D/S	EUROPE	E	2-72	YES	NO	YES	E35-3993-05	NO	YES
	AUSTRALIA	X	0-73	YES	NO	YES	E35-3993-05	NO	YES

— SIGNAL  
 — GND LINE  
 — +B LINE  
 — -B LINE

# KRF-V6200D/V7200D



KRF-V6200D/V7200D (3/3)



EXPLODED VIEW

KRF-V6200D/V7200D

KRF-V7200D

\* New parts

Parts without **Parts No.** are not supplied.Les articles non mentionnés dans le **Parts No.** ne sont pas fournis.Teile ohne **Parts No.** werden nicht geliefert.

①

Ref. No.	Add- ress	New Parts	Parts No.	Description	Desti- nation	Re- marks
<b>KRF-V6200D/KRF-V7200D</b>						
601	1A		A01-3976-11	METALLIC CABINET,SILVER	S	
601	1A		A01-3977-11	METALLIC CABINET,#3976BLAC	B	
603	2A	*	A60-2510-01	PANEL,#2508-S	E1X1	
603	2A	*	A60-2511-01	PANEL,#2508-B	E2X2	
603	2A	*	A60-2512-01	PANEL,#2508-S	E3X3	
603	2A	*	A60-2513-01	PANEL,#2508-B	E4X4	
604	1A	*	A70-1720-05	REMOTE CONTROLLER ASSY		
-		*	B60-5678-00	INSTRUCTION MANUAL,EN		
-		*	B60-5679-00	INSTRUCTION MANUAL,5-LAN	E	
610	2A	*	B07-2749-01	ESCUTCHEON,SILVER	S	
610	2A	*	B07-2750-01	ESCUTCHEON,#2745BLAC	B	
611	2A		B07-2747-03	ESCUTCHEON,RING-S	E1X1	
611	2A		B07-2748-03	ESCUTCHEON,#2747BLAC	E2X2	
611	2A	*	B07-2754-03	ESCUTCHEON,RING-S	E3X3	
611	2A	*	B07-2755-03	ESCUTCHEON,#2754BLAC	E4X4	
612	2A		B10-5621-02	FRONT GLASS,DISPLAY		
613	2A	*	B10-5628-03	FRONT GLASS,#5623		
614	2A		B11-1634-04	COLOR FILTER,PURE AUDI		
615	2A		B12-1408-04	INDICATOR,POWER		
616	2A		B12-1409-04	INDICATOR,SELECTOR		
617	2A		B43-0336-04	BADGE,36*BLACK		
△ 620	1C		E30-7330-05+	AC POWER CORD,AS ROUND PLUG	X	
△ 620	1C		E30-7368-05	AC POWER CORD,EN 2.5A	E	
621	1C		E35-3943-05	FLAT CABLE,TUNER		
622	1C		E35-3948-05	FLAT CABLE,29P, X09-X0		
623	1B,2B	*	E35-3965-05	FLAT CABLE,27P,X14-X0		
624	1C		F07-2037-12	COVER,FAN		
FAN	1B		F09-0192-05	FAN		
-			J61-0307-05	WIRE BAND		
630	2C		J02-1464-03	FOOT		
631	1B,2C		J19-3751-04	UNIT HOLDER		
△ 635	1C		J42-0349-05	POWER CORD BUSHING		
640	2A		K29-8585-04	KNOB,JOG-S	S	
640	2A		K29-8586-04	KNOB,#8586BLAC	B	
641	2A		K29-8444-04	KNOB,VOL-B	E4X4	
641	2A		K29-8445-04	KNOB,VOL-S	E3X3	
641	2A		K29-8587-03	KNOB,VOL-S	E1X1	
641	2A		K29-8588-03	KNOB,#8587BLACK	E2X2	
642	2A,2B		K29-8589-02	KNOB,TACT-S	S	
642	2A,2B		K29-8590-02	KNOB,#8589BLACK	B	
643	2A		K29-8591-03	KNOB,POWER	S	
643	2A		K29-8592-03	KNOB,#8591BLACK	B	
△ 650	2B	*	L07-3355-05	POWER TRANSFORMER	E1E2	
△ 650	2B	*	L07-3356-05	POWER TRANSFORMER	X1X2	
△ 650	2B	*	L07-3357-05	POWER TRANSFORMER	E3E4	
△ 650	2B	*	L07-3358-05	POWER TRANSFORMER	X3X4	
D			N82-2608-48	BINDING HEAD TAPTITE,DISPLAY		
F			N89-3008-48	BINDING HEAD TAPTITE SCREW		
K			N89-3018-48	BINDING HEAD TAPTITE SCREW		
660	1A		T90-0877-05	LEAD WIRE ANTENNA		
661	1A		T90-0893-05	LOOP ANTENNA,8T		

L: Scandinavia K: USA P: Canada R: Mexico C: China I: Malaysia  
 Y: PX(Far East,Hawaii) T: England E: Europe G: Germany V: China(Shanghai)  
 Y: AAFES(Europe) X: Australia Q: Russia H: Korea M: Other Areas △ Indicates safety critical components.

\* New parts

Parts without **Parts No.** are not supplied.Les articles non mentionnés dans le **Parts No.** ne sont pas fournis.Teile ohne **Parts No.** werden nicht geliefert.

②

Ref. No.	Add- ress	New Parts	Parts No.	Description	Desti- nation	Re- marks
665	1C		W02-4609-05	TUNER ASSY		
<b>SURROUND (X08-3492-70&amp;-71)</b>						
C11,12			CD04BJ1H100M	ELECTRO	10UF	50WV
C13,14			CC73GCH1H222J	CHIP C	2200PF	J
C15,16			CC73GCH1H182J	CHIP C	1800PF	J
C17,18			CC73GCH1H100D	CHIP C	10PF	D
C19			CC73GCH1H470J	CHIP C	47PF	J
C20			CC73GCH1H101J	CHIP C	100PF	J
C21			CK73GB1H472K	CHIP C	4700PF	K
C31,32			CD04BJ1H100M	ELECTRO	10UF	50WV
C33,34			CC73GCH1H821J	CHIP C	820PF	J
C35,36			CC73GCH1H222J	CHIP C	2200PF	J
C37,38			CC73GCH1H100D	CHIP C	10PF	D
C51,52			CD04BJ1H100M	ELECTRO	10UF	50WV
C53			CC73GCH1H222J	CHIP C	2200PF	J
C54			CQ93FMG1H822J	MYLAR	8200PF	J
C55			CC73GCH1H182J	CHIP C	1800PF	J
C56			CQ93FMG1H822J	MYLAR	8200PF	J
C57,58			CC73GCH1H100D	CHIP C	10PF	D
C59			CC73GCH1H470J	CHIP C	47PF	J
C60			CC73GCH1H330J	CHIP C	33PF	J
C71,72			CD04BJ1H100M	ELECTRO	10UF	50WV
C73,74			CC73GCH1H222J	CHIP C	2200PF	J
C75,76			CC73GCH1H182J	CHIP C	1800PF	J
C77,78			CC73GCH1H100D	CHIP C	10PF	D
C79,80			CK73GB1H102K	CHIP C	1000PF	K
C91,92			CC73GCH1H220J	CHIP C	22PF	J
C93,94			CC73GCH1H100D	CHIP C	10PF	D
C95			CK73GB1H102K	CHIP C	1000PF	K
C96			CC73GCH1H101J	CHIP C	100PF	J
C101,102			CD04BJ1H010M	ELECTRO	1.0UF	50WV
C103,104			CC73GCH1H100D	CHIP C	10PF	D
C105,106			CD04BJ1H4R7M	ELECTRO	4.7UF	50WV
C107,108			CC73GCH1H101J	CHIP C	100PF	J
C111			CD04BJ1H2R2M	ELECTRO	2.2UF	50WV
C112			CC73GCH1H471J	CHIP C	470PF	J
C113			CC73GCH1H222J	CHIP C	2200PF	J
C114			CD04BJ1E470M	ELECTRO	47UF	25WV
C115			CC73GCH1H220J	CHIP C	22PF	J
C116,117			CC73GCH1H101J	CHIP C	100PF	J
C118			CC73GCH1H182J	CHIP C	1800PF	J
C119,120			CC73GCH1H050C	CHIP C	5.0PF	C
C128			CC73GCH1H102J	CHIP C	1000PF	J
C131,132			CC73GCH1H101J	CHIP C	100PF	J
C133,134			CC73GCH1H100D	CHIP C	10PF	D
C135,136			CC73GCH1H330J	CHIP C	33PF	J
C153,154			CC73GCH1H100D	CHIP C	10PF	D
C158			CC73GCH1H100D	CHIP C	10PF	D
C161,162			CK73GB1E154K	CHIP C	0.15UF	K
C163,164			CK73GB1H473K	CHIP C	0.047UF	K
C165,166			CK73GB1H223K	CHIP C	0.022UF	K
C171,172			CC73GCH1H101J	CHIP C	100PF	J
C173,174			CC73GCH1H100D	CHIP C	10PF	D
C175,176			CC73GCH1H330J	CHIP C	33PF	J

L: Scandinavia K: USA P: Canada R: Mexico C: China I: Malaysia  
 Y: PX(Far East,Hawaii) T: England E: Europe G: Germany V: China(Shanghai)  
 Y: AAFES(Europe) X: Australia Q: Russia H: Korea M: Other Areas △ Indicates safety critical components.

\* New parts

Parts without **Parts No.** are not supplied.

Les articles non mentionnes dans le **Parts No.** ne sont pas fournis.

Teile ohne **Parts No.** werden nicht geliefert.

3

Ref. No.	Add-ress	New Parts	Parts No.	Description	Desti-nation	Re-marks
C177,178			CC73GCH1H102J	CHIP C 1000PF J		
C181,182			CC73GCH1H101J	CHIP C 100PF J		
C183,184			CC73GCH1H100D	CHIP C 10PF D		
C185,186			CC73GCH1H330J	CHIP C 33PF J		
C191			CC73GCH1H101J	CHIP C 100PF J		
C193			CC73GCH1H100D	CHIP C 10PF D		
C195			CC73GCH1H330J	CHIP C 33PF J		
C201-228			CD04BJ1H100M	ELECTRO 10UF 50WV		
C229,230			CC73GCH1H101J	CHIP C 100PF J		
C231-236			CD04BJ1H100M	ELECTRO 10UF 50WV		
C239,240			CC73GCH1H100D	CHIP C 10PF D		
C241-244			CD04BJ1H100M	ELECTRO 10UF 50WV		
C301,302			CC73GCH1H221J	CHIP C 220PF J		
C303,304			CC73GCH1H101J	CHIP C 100PF J		
C305,306			CC73GCH1H221J	CHIP C 220PF J		
C307,308			CC73GCH1H101J	CHIP C 100PF J		
C309			CK73GB1H102K	CHIP C 1000PF K		
C311,312			CC73GCH1H221J	CHIP C 220PF J		
C313,314			CC73GCH1H101J	CHIP C 100PF J		
C315,316			CC73GCH1H221J	CHIP C 220PF J		
C317,318			CC73GCH1H101J	CHIP C 100PF J		
C319			CK73GB1H102K	CHIP C 1000PF K		
C321,322			CC73GCH1H221J	CHIP C 220PF J		
C323,324			CC73GCH1H101J	CHIP C 100PF J		
C331,332			CC73GCH1H221J	CHIP C 220PF J		
C333,334			CC73GCH1H101J	CHIP C 100PF J		
C337,338			CC73GCH1H101J	CHIP C 100PF J		
C339			CK73GB1H102K	CHIP C 1000PF K		
C341,342			CC73GCH1H221J	CHIP C 220PF J		
C343,344			CC73GCH1H101J	CHIP C 100PF J		
C345,346			CC73GCH1H221J	CHIP C 220PF J		
C347,348			CC73GCH1H101J	CHIP C 100PF J		
C351,352			CC73GCH1H221J	CHIP C 220PF J		
C355,356			CC73GCH1H221J	CHIP C 220PF J		
C361			CD04BJ1H100M	ELECTRO 10UF 50WV		
C362			CC73GCH1H102J	CHIP C 1000PF J		
C363			CC73GCH1H221J	CHIP C 220PF J		
C371,372			CD04BJ1H100M	ELECTRO 10UF 50WV	6	
C373,374			CC73GCH1H102J	CHIP C 1000PF J	6	
C375,376			CC73GCH1H221J	CHIP C 220PF J	6	
C400			CC73GCH1H070D	CHIP C 7.0PF D		
C401			CC73GCH1H102J	CHIP C 1000PF J		
C421,422			CD04BJ1H100M	ELECTRO 10UF 50WV		
C423,424			CC73GCH1H471J	CHIP C 470PF J		
C431			CK73GB1H104K	CHIP C 0.10UF K		
C432			CD04BJ1H100M	ELECTRO 10UF 50WV		
C433,434			CK73GB1H104K	CHIP C 0.10UF K		
C435			CD04BJ1A101M	ELECTRO 100UF 10WV		
C436			CD04BJ1H100M	ELECTRO 10UF 50WV		
C437			CK73GB1H104K	CHIP C 0.10UF K		
C438			CC73GCH1H220J	CHIP C 22PF J		
C441			CC73GCH1H070D	CHIP C 7.0PF D		
C451			CC73GCH1H100D	CHIP C 10PF D		
C453			CK73GB1H104K	CHIP C 0.10UF K		
C454			CD04BJ1H100M	ELECTRO 10UF 50WV		

L: Scandinavia K: USA P: Canada R: Mexico C: China I: Malaysia  
 Y: PX(Far East,Hawaii) T: England E: Europe G: Germany V: China(Shanghai)  
 Y: AAFES(Europe) X: Australia Q: Russia H: Korea M: Other Areas ΔIndicates safety critical components.

\* New parts

Parts without **Parts No.** are not supplied.

Les articles non mentionnes dans le **Parts No.** ne sont pas fournis.

Teile ohne **Parts No.** werden nicht geliefert.

4

Ref. No.	Add-ress	New Parts	Parts No.	Description	Desti-nation	Re-marks
C455			CD04BJ1H220M	ELECTRO 22UF 50WV		
C456			CK73GB1H104K	CHIP C 0.10UF K		
C457			CD04BJ1H100M	ELECTRO 10UF 50WV		
C458			CK73GB1H104K	CHIP C 0.10UF K		
C459			CK73GB1A474K	CHIP C 0.47UF K		
C461			CC73GCH1H101J	CHIP C 100PF J		
C468			CC73GCH1H102J	CHIP C 1000PF J		
C471			CC73GCH1H101J	CHIP C 100PF J		
C501			CK73GB1H102K	CHIP C 1000PF K		
C502			CD04BJ1H2R2M	ELECTRO 2.2UF 50WV		
C503			CK73GB1H103K	CHIP C 0.010UF K		
C504			CC73GCH1H471J	CHIP C 470PF J		
C505			CK73GB1H103K	CHIP C 0.010UF K		
C531-534			CK73GB1H104K	CHIP C 0.10UF K		
C551			CK73GB1H102K	CHIP C 1000PF K		
C552			CC73GCH1H270J	CHIP C 27PF J		
C553-555			CC73GCH1H220J	CHIP C 22PF J		
C561			CK73GB1H103K	CHIP C 0.010UF K		
C571			CK73GB1H103K	CHIP C 0.010UF K		
C581			CK73GB1H103K	CHIP C 0.010UF K		
C593			CD04BJ1A101M	ELECTRO 100UF 10WV		
C595			CC73GCH1H221J	CHIP C 220PF J		
C596			CK73GB1H104K	CHIP C 0.10UF K		
C601			CK73GB1H103K	CHIP C 0.010UF K		
C602			CC73GCH1H101J	CHIP C 100PF J		
C603,604			CK73GB1H102K	CHIP C 1000PF K		
C605-608			CK73GB1H103K	CHIP C 0.010UF K		
C611,612			CK73GB1H104K	CHIP C 0.10UF K		
C614			CK73GB1H104K	CHIP C 0.10UF K		
C616			CK73GB1H104K	CHIP C 0.10UF K		
C711			CC73GCH1H100D	CHIP C 10PF D		
C712			CD04BJ1H100M	ELECTRO 10UF 50WV		
C713			CC73GCH1H100D	CHIP C 10PF D		
C714			CD04BJ1H100M	ELECTRO 10UF 50WV		
C715,716			CK73GB1H104K	CHIP C 0.10UF K		
C725			CK73GB1H104K	CHIP C 0.10UF K		
C731			CK73GB1H104K	CHIP C 0.10UF K		
C741-743			CC73GCH1H101J	CHIP C 100PF J		
C750,751			CK73GB1H104K	CHIP C 0.10UF K		
C752			CK73GB1H103K	CHIP C 0.010UF K		
C761			CC73GCH1H331J	CHIP C 330PF J		
C762			CC73GCH1H561J	CHIP C 560PF J		
C763,764			CC73GCH1H220J	CHIP C 22PF J		
C772			CD04BJ1H100M	ELECTRO 10UF 50WV		
C773,774			CK73GB1H104K	CHIP C 0.10UF K		
C801			CK73GB1H104K	CHIP C 0.10UF K		
C802			CD04BJ1A101M	ELECTRO 100UF 10WV		
C805			CK73GB1H104K	CHIP C 0.10UF K		
C806			CD04BJ1A101M	ELECTRO 100UF 10WV		
C812			CD04BJ1A101M	ELECTRO 100UF 10WV		
C813			CK73GB1H104K	CHIP C 0.10UF K		
C815			CD04BJ1H100M	ELECTRO 10UF 50WV		
C816		*	CD04BH1D470M	ELECTRO 47UF 20WV		
C819			CC73GCH1H100D	CHIP C 10PF D		
C826			CK73GB1H104K	CHIP C 0.10UF K		

L: Scandinavia K: USA P: Canada R: Mexico C: China I: Malaysia  
 Y: PX(Far East,Hawaii) T: England E: Europe G: Germany V: China(Shanghai)  
 Y: AAFES(Europe) X: Australia Q: Russia H: Korea M: Other Areas ΔIndicates safety critical components.

PARTS LIST

KRF-V6200D/V7200D



\* New parts

Parts without **Parts No.** are not supplied.Les articles non mentionnés dans le **Parts No.** ne sont pas fournis.Teile ohne **Parts No.** werden nicht geliefert.

5

Ref. No.	Add-ress	New Parts	Parts No.	Description	Desti-nation	Re-marks
C831,832			CK73GB1H102K	CHIP C 1000PF K		
C833,834			CD04BJ1A101M	ELECTRO 100UF 10WV		
C835,836			CD04BJ1E470M	ELECTRO 47UF 25WV		
C837			CD04BJ1A101M	ELECTRO 100UF 10WV		
C838,839			CC73GCH1H050C	CHIP C 5.0PF C		
C851			CK73GB1H103K	CHIP C 0.010UF K		
C852			CK73GB1H104K	CHIP C 0.10UF K		
C853			CD04AU1E220M	NP ELEC 22UF 25WV		
C861			CK73GB1H102K	CHIP C 1000PF K		
C862			CK73GB1H104K	CHIP C 0.10UF K		
C863			CK73GB1A105K	CHIP C 1.0UF K		
C864			CK73GB1H103K	CHIP C 0.010UF K		
C871			CD04BJ1H2R2M	ELECTRO 2.2UF 50WV		
C872			CK73GB1H104K	CHIP C 0.10UF K		
C873			C90-5839-05	BACKUP C 0.047F 5.5WV		
C874			CD04BJ1A101M	ELECTRO 100UF 10WV		
C877			CK73GB1H104K	CHIP C 0.10UF K		
C878			CK73GB1H103K	CHIP C 0.010UF K		
C881			CD04BJ1H100M	ELECTRO 10UF 50WV		
C882			CK73GB1H103K	CHIP C 0.010UF K		
C883			CK73GB1H104K	CHIP C 0.10UF K		
C886			CK73GB1H103K	CHIP C 0.010UF K		
C900,901			CC73GCH1H030C	CHIP C 3.0PF C		
C902-904			CK73GB1H104K	CHIP C 0.10UF K		
C905			CD04BJ1H4R7M	ELECTRO 4.7UF 50WV		
C906			CK73GB1H104K	CHIP C 0.10UF K		
C907,908			CC73GCH1H180J	CHIP C 18PF J		
C909			CD04BJ1E470M	ELECTRO 47UF 25WV		
C910			CK73GB1H104K	CHIP C 0.10UF K		
C911			CD04BJ1E470M	ELECTRO 47UF 25WV		
C912			CK73GB1H104K	CHIP C 0.10UF K		
C913			CK73GB1H103K	CHIP C 0.010UF K		
C914			CD04BJ1E470M	ELECTRO 47UF 25WV		
C915			CD04BJ1H220M	ELECTRO 22UF 50WV		
C917,918			CK73GB1H104K	CHIP C 0.10UF K		
C919			CD04BJ1E470M	ELECTRO 47UF 25WV		
C920			CD04BJ1H4R7M	ELECTRO 4.7UF 50WV		
C921			CK73GB1H104K	CHIP C 0.10UF K		
C922			CD04BJ1E470M	ELECTRO 47UF 25WV		
C923			CK73GB1H104K	CHIP C 0.10UF K		
C924			CD04BJ1E470M	ELECTRO 47UF 25WV		
C925,926			CK73GB1H104K	CHIP C 0.10UF K		
C927			CD04BJ1E470M	ELECTRO 47UF 25WV		
C928,929			CK73GB1H104K	CHIP C 0.10UF K		
C930			CD04BJ1A101M	ELECTRO 100UF 10WV		
C931			CK73GB1H332K	CHIP C 3300PF K		
C932			CK73GB1H104K	CHIP C 0.10UF K		
C933,934			CC73GCH1H470J	CHIP C 47PF J		
C937			CK73GB1H104K	CHIP C 0.10UF K		
C939			CD04BJ1A101M	ELECTRO 100UF 10WV		
C941			CD04BJ1A101M	ELECTRO 100UF 10WV		
C942			CK73GB1H104K	CHIP C 0.10UF K		
C943			CK73GB1H103K	CHIP C 0.010UF K		
C944			CK73GB1H102K	CHIP C 1000PF K		
C945,946			CD04BJ1H010M	ELECTRO 1.0UF 50WV		

L: Scandinavia K: USA P: Canada R: Mexico C: China I: Malaysia  
 Y: PX(Far East,Hawaii) T: England E: Europe G: Germany V: China(Shanghai)  
 Y: AAFES(Europe) X: Australia Q: Russia H: Korea M: Other Areas ΔIndicates safety critical components.

\* New parts

Parts without **Parts No.** are not supplied.Les articles non mentionnés dans le **Parts No.** ne sont pas fournis.Teile ohne **Parts No.** werden nicht geliefert.

6

Ref. No.	Add-ress	New Parts	Parts No.	Description	Desti-nation	Re-marks
C947,948			CK73GB1H104K	CHIP C 0.10UF K		
C949-952			CC73GCH1H222J	CHIP C 2200PF J		
C953,954			CC73GCH1H100D	CHIP C 10PF D		
C955,956			CC73GCH1H330J	CHIP C 33PF J		
C980,981			CC73GCH1H100D	CHIP C 10PF D		
C991			CD04BJ1H010M	ELECTRO 1.0UF 50WV		
C999			CC73GCH1H102J	CHIP C 1000PF J		
CN601			E41-1472-05	FLAT CABLE CONNECTOR,1.25,29P		
CN604			E41-1470-05	FLAT CABLE CONNECTOR,1.25,27P		
CN761			E41-1429-05	FLAT CABLE CONNECTOR,1.25,15P		
J301			E63-1338-05	PIN JACK,6P,RED/WHT		
J311			E63-1338-05	PIN JACK,6P,RED/WHT		
J331			E63-1338-05	PIN JACK,6P,RED/WHT		
J341			E63-1417-05	PIN JACK,VERTICAL-2P,BLK,BLK		
J361			E63-1146-15	PIN JACK,1P,BLK		
J371			E63-1407-05	PIN JACK,2P2L,WHT/RED,NI,LF		
J595			E63-1416-05	PIN JACK,1P,ORANGE,LF		
J990			E59-0849-05	RECTANGULAR PLUG,USB TYPE A		
L596			L92-0332-05	CHIP FERRITE		
L900-910			L92-0332-05	CHIP FERRITE		
L991			L79-1308-05	LINE FILTER		
X551			L77-2296-15	CRYSTAL RESONATOR (12.288MHZ)		
X601			L78-0725-05	RESONATOR (8.38MHZ)		
X761			L77-2002-05	CRYSTAL RESONATOR (4.332MHZ)		
X900		*	L77-2470-05	CRYSTAL RESONATOR (48MHZ)		
X901			L77-2412-05	CRYSTAL RESONATOR (16.9344MHZ)		
CP501,502			RK74GB1J103J	CHIP-COM 10K J 1/16W		
R1			RK73GB2A103J	CHIP R 10K J 1/10W		
R11,12			RK73GB2A104J	CHIP R 100K J 1/10W		
R13-16			RK73GB2A222J	CHIP R 2.2K J 1/10W		
R17,18			RK73GB2A472J	CHIP R 4.7K J 1/10W		
R19,20			RK73GB2A103J	CHIP R 10K J 1/10W		
R21,22			RK73GB2A331J	CHIP R 330 J 1/10W		
R23,24			RK73GB2A220J	CHIP R 22 J 1/10W		
R31,32			RK73GB2A104J	CHIP R 100K J 1/10W		
R33,34			RK73GB2A332J	CHIP R 3.3K J 1/10W		
R35,36			RK73GB2A222J	CHIP R 2.2K J 1/10W		
R37,38			RK73GB2A562J	CHIP R 5.6K J 1/10W		
R39,40			RK73GB2A272J	CHIP R 2.7K J 1/10W		
R41,42			RK73GB2A331J	CHIP R 330 J 1/10W		
R43,44			RK73GB2A220J	CHIP R 22 J 1/10W		
R51,52			RK73GB2A104J	CHIP R 100K J 1/10W		
R53			RK73GB2A222J	CHIP R 2.2K J 1/10W		
R54			RK73GB2A153J	CHIP R 15K J 1/10W		
R55			RK73GB2A222J	CHIP R 2.2K J 1/10W		
R56			RK73GB2A183J	CHIP R 18K J 1/10W		
R57			RK73GB2A472J	CHIP R 4.7K J 1/10W		
R58			RK73GB2A562J	CHIP R 5.6K J 1/10W		
R59,60			RK73GB2A103J	CHIP R 10K J 1/10W		
R61,62			RK73GB2A331J	CHIP R 330 J 1/10W		
R63			RK73GB2A220J	CHIP R 22 J 1/10W		
R71,72			RK73GB2A104J	CHIP R 100K J 1/10W		
R73-76			RK73GB2A222J	CHIP R 2.2K J 1/10W		

L: Scandinavia K: USA P: Canada R: Mexico C: China I: Malaysia  
 Y: PX(Far East,Hawaii) T: England E: Europe G: Germany V: China(Shanghai)  
 Y: AAFES(Europe) X: Australia Q: Russia H: Korea M: Other Areas ΔIndicates safety critical components.

\* New parts

Parts without **Parts No.** are not supplied.

Les articles non mentionnes dans le **Parts No.** ne sont pas fournis.

Teile ohne **Parts No.** werden nicht geliefert.

7

Ref. No.	Add-ress	New Parts	Parts No.	Description	Desti-nation	Re-marks
R77,78			RK73GB2A562J	CHIP R 5.6K J 1/10W		
R79,80			RK73GB2A103J	CHIP R 10K J 1/10W		
R81,82			RK73GB2A331J	CHIP R 330 J 1/10W		
R83,84			RK73GB2A220J	CHIP R 22 J 1/10W		
R91,92			RK73GB2A272J	CHIP R 2.7K J 1/10W		
R93-96			RK73GB2A103J	CHIP R 10K J 1/10W		
R97,98			RK73GB2A331J	CHIP R 330 J 1/10W		
R101,102			RK73GB2A104J	CHIP R 100K J 1/10W	6	
R103,104			RK73GB2A103J	CHIP R 10K J 1/10W	6	
R105,106			RK73GB2A332J	CHIP R 3.3K J 1/10W	6	
R112			RK73GB2A333J	CHIP R 33K J 1/10W		
R113			RK73GB2A102J	CHIP R 1.0K J 1/10W		
R114			RK73GB2A333J	CHIP R 33K J 1/10W		
R115			RK73GB2A162J	CHIP R 1.6K J 1/10W		
R119,120			RK73GB2A151J	CHIP R 150 J 1/10W		
R121,122			RK73GB2A472J	CHIP R 4.7K J 1/10W		
R123,124			RK73GB2A562J	CHIP R 5.6K J 1/10W		
R126-128			RK73GB2A101J	CHIP R 100 J 1/10W		
R131,132			RK73GB2A101J	CHIP R 100 J 1/10W	7	
R133,134			RK73GB2A103J	CHIP R 10K J 1/10W	7	
R135,136			RK73GB2A472J	CHIP R 4.7K J 1/10W	7	
R151-153			RK73GB2A331J	CHIP R 330 J 1/10W		
R161,162			RK73GB2A472J	CHIP R 4.7K J 1/10W		
R171,172			RK73GB2A101J	CHIP R 100 J 1/10W	6	
R173,174			RK73GB2A103J	CHIP R 10K J 1/10W	6	
R175,176			RK73GB2A472J	CHIP R 4.7K J 1/10W	6	
R177,178			RK73GB2A101J	CHIP R 100 J 1/10W	7	
R181,182			RK73GB2A101J	CHIP R 100 J 1/10W		
R183,184			RK73GB2A103J	CHIP R 10K J 1/10W		
R185,186			RK73GB2A472J	CHIP R 4.7K J 1/10W		
R191			RK73GB2A101J	CHIP R 100 J 1/10W		
R193			RK73GB2A103J	CHIP R 10K J 1/10W		
R195			RK73GB2A472J	CHIP R 4.7K J 1/10W		
R201-206			RK73GB2A101J	CHIP R 100 J 1/10W		
R207			RK73GB2A102J	CHIP R 1.0K J 1/10W		
R239,240			RK73GB2A100J	CHIP R 10 J 1/10W		
R301,302			RK73GB2A221J	CHIP R 220 J 1/10W		
R303,304			RK73GB2A224J	CHIP R 220K J 1/10W		
R305,306			RK73GB2A221J	CHIP R 220 J 1/10W		
R307,308			RK73GB2A224J	CHIP R 220K J 1/10W		
R309			RK73GB2A2R2J	CHIP R 2.2 J 1/10W		
R311,312			RK73GB2A221J	CHIP R 220 J 1/10W		
R313,314			RK73GB2A224J	CHIP R 220K J 1/10W		
R315,316			RK73GB2A221J	CHIP R 220 J 1/10W		
R317,318			RK73GB2A224J	CHIP R 220K J 1/10W		
R319			RK73GB2A2R2J	CHIP R 2.2 J 1/10W		
R321,322			RK73GB2A221J	CHIP R 220 J 1/10W		
R323,324			RK73GB2A224J	CHIP R 220K J 1/10W		
R331,332			RK73GB2A102J	CHIP R 1.0K J 1/10W		
R333,334			RK73GB2A224J	CHIP R 220K J 1/10W		
R335,336			RK73GB2A123J	CHIP R 12K J 1/10W		
R337,338			RK73GB2A223J	CHIP R 22K J 1/10W		
R339			RK73GB2A2R2J	CHIP R 2.2 J 1/10W		
R341,342			RK73GB2A123J	CHIP R 12K J 1/10W		
R343,344			RK73GB2A223J	CHIP R 22K J 1/10W		

L: Scandinavia K: USA P: Canada R: Mexico C: China I: Malaysia  
 Y: PX(Far East,Hawaii) T: England G: Germany V: China(Shanghai)  
 Y: AAFES(Europe) X: Australia Q: Russia H: Korea M: Other Areas Δ:Indicates safety critical components.

\* New parts

Parts without **Parts No.** are not supplied.

Les articles non mentionnes dans le **Parts No.** ne sont pas fournis.

Teile ohne **Parts No.** werden nicht geliefert.

8

Ref. No.	Add-ress	New Parts	Parts No.	Description	Desti-nation	Re-marks
R345,346			RK73GB2A123J	CHIP R 12K J 1/10W		
R347,348			RK73GB2A223J	CHIP R 22K J 1/10W		
R351,352			RK73GB2A224J	CHIP R 220K J 1/10W		
R353,354			RK73GB2A220J	CHIP R 22 J 1/10W		
R355,356			RK73GB2A224J	CHIP R 220K J 1/10W		
R357,358			RK73GB2A220J	CHIP R 22 J 1/10W		
R361			RK73GB2A102J	CHIP R 1.0K J 1/10W		
R362			RK73GB2A104J	CHIP R 100K J 1/10W		
R363			RK73GB2A101J	CHIP R 100 J 1/10W		
R364			RK73GB2A102J	CHIP R 1.0K J 1/10W		
R371,372			RK73GB2A102J	CHIP R 1.0K J 1/10W	6	
R373,374			RK73GB2A104J	CHIP R 100K J 1/10W	6	
R375,376			RK73GB2A101J	CHIP R 100 J 1/10W	6	
R377,378			RK73GB2A102J	CHIP R 1.0K J 1/10W	6	
R381,382			RK73GB2A471J	CHIP R 470 J 1/10W		
R383,384			RK73GB2A102J	CHIP R 1.0K J 1/10W		
R385,386			RK73GB2A471J	CHIP R 470 J 1/10W		
R387,388			RK73GB2A102J	CHIP R 1.0K J 1/10W		
R400,401			RK73GB2A100J	CHIP R 10 J 1/10W		
R402			RK73GB2A181J	CHIP R 180 J 1/10W		
R404			RK73GB2A151J	CHIP R 150 J 1/10W		
R405			RK73GB2A161J	CHIP R 160 J 1/10W		
R406			RK73GB2A121J	CHIP R 120 J 1/10W		
R407			RK73GB2A151J	CHIP R 150 J 1/10W		
R408-410			RK73GB2A181J	CHIP R 180 J 1/10W		
R411-414			RK73GB2A101J	CHIP R 100 J 1/10W		
R415			RK73GB2A104J	CHIP R 100K J 1/10W		
R421,422			RK73GB2A103J	CHIP R 10K J 1/10W		
R423,424			RK73GB2A183J	CHIP R 18K J 1/10W		
R431,432			RK73GB2A1R0J	CHIP R 1.0 J 1/10W		
R434			RK73GB2A1R0J	CHIP R 1.0 J 1/10W		
R438			RK73GB2A221J	CHIP R 220 J 1/10W		
R441			RK73GB2A100J	CHIP R 10 J 1/10W		
R451			RK73GB2A151J	CHIP R 150 J 1/10W		
R452			RK73GB2A121J	CHIP R 120 J 1/10W		
R453			RK73GB2A750J	CHIP R 75 J 1/10W		
R454			RK73GB2A680J	CHIP R 68 J 1/10W		
R455			RK73GB2A161J	CHIP R 160 J 1/10W		
R456			RK73GB2A201J	CHIP R 200 J 1/10W		
R457			RK73GB2A151J	CHIP R 150 J 1/10W		
R458,459			RK73GB2A1R0J	CHIP R 1.0 J 1/10W		
R460			RK73GB2A151J	CHIP R 150 J 1/10W		
R461			RK73GB2A121J	CHIP R 120 J 1/10W		
R462-467			RK73GB2A101J	CHIP R 100 J 1/10W		
R468			RK73GB2A100J	CHIP R 10 J 1/10W		
R469			RK73GB2A1R0J	CHIP R 1.0 J 1/10W		
R470			RK73GB2A183J	CHIP R 18K J 1/10W		
R471			RK73GB2A151J	CHIP R 150 J 1/10W		
R501			RK73GB2A181J	CHIP R 180 J 1/10W		
R502,503			RK73GB2A332J	CHIP R 3.3K J 1/10W		
R504-507			RK73GB2A221J	CHIP R 220 J 1/10W		
R508			RK73GB2A332J	CHIP R 3.3K J 1/10W		
R509			RK73GB2A221J	CHIP R 220 J 1/10W		
R510			RK73GB2A332J	CHIP R 3.3K J 1/10W		
R511			RK73GB2A103J	CHIP R 10K J 1/10W		

L: Scandinavia K: USA P: Canada R: Mexico C: China I: Malaysia  
 Y: PX(Far East,Hawaii) T: England G: Germany V: China(Shanghai)  
 Y: AAFES(Europe) X: Australia Q: Russia H: Korea M: Other Areas Δ:Indicates safety critical components.

PARTS LIST

KRF-V6200D/V7200D

\* New parts

Parts without **Parts No.** are not supplied.Les articles non mentionnés dans le **Parts No.** ne sont pas fournis.Teile ohne **Parts No.** werden nicht geliefert.

9

Ref. No.	Add-ress	New Parts	Parts No.	Description	Desti-nation	Re-marks
R512,513			RK73GB2A101J	CHIP R 100 J 1/10W		
R514-517			RK73GB2A181J	CHIP R 180 J 1/10W		
R518			RK73GB2A103J	CHIP R 10K J 1/10W		
R519			RK73GB2A333J	CHIP R 33K J 1/10W		
R520			RK73GB2A101J	CHIP R 100 J 1/10W		
R521,522			RK73GB2A472J	CHIP R 4.7K J 1/10W		
R523-526			RK73GB2A181J	CHIP R 180 J 1/10W		
R527			RK73GB2A201J	CHIP R 200 J 1/10W		
R528			RK73GB2A151J	CHIP R 150 J 1/10W		
R531-534			RK73GB2A1R0J	CHIP R 1.0 J 1/10W		
R551			RK73GB2A221J	CHIP R 220 J 1/10W		
R552,553			RK73GB2A105J	CHIP R 1.0M J 1/10W		
R554			RK73GB2A221J	CHIP R 220 J 1/10W		
R555			RK73GB2A121J	CHIP R 120 J 1/10W		
R561			RK73GB2A1R0J	CHIP R 1.0 J 1/10W		
R571			RK73GB2A101J	CHIP R 100 J 1/10W		
R572			RK73GB2A104J	CHIP R 100K J 1/10W		
R573			RK73GB2A103J	CHIP R 10K J 1/10W		
R574			RK73GB2A101J	CHIP R 100 J 1/10W		
R581			RK73GB2A1R0J	CHIP R 1.0 J 1/10W		
R591,592			RK73GB2A471J	CHIP R 470 J 1/10W		
R593			RK73GB2A4R7J	CHIP R 4.7 J 1/10W		
R595			RK73GB2A750J	CHIP R 75 J 1/10W		
R600			RK73GB2A221J	CHIP R 220 J 1/10W		
R601			RK73GB2A101J	CHIP R 100 J 1/10W		
R602			RK73GB2A104J	CHIP R 100K J 1/10W	6	
R603			RK73GB2A101J	CHIP R 100 J 1/10W	7	
R604			RK73GB2A104J	CHIP R 100K J 1/10W		
R604			RK73GB2A162J	CHIP R 1.6K J 1/10W		
R605			RK73GB2A101J	CHIP R 100 J 1/10W		
R606			RK73GB2A104J	CHIP R 100K J 1/10W		
R607			RK73GB2A101J	CHIP R 100 J 1/10W		
R608			RK73GB2A104J	CHIP R 100K J 1/10W		
R609			RK73GB2A101J	CHIP R 100 J 1/10W		
R610			RK73GB2A104J	CHIP R 100K J 1/10W		
R611			RK73GB2A101J	CHIP R 100 J 1/10W		
R612			RK73GB2A104J	CHIP R 100K J 1/10W		
R613			RK73GB2A101J	CHIP R 100 J 1/10W		
R614			RK73GB2A104J	CHIP R 100K J 1/10W		
R615			RK73GB2A101J	CHIP R 100 J 1/10W		
R616			RK73GB2A104J	CHIP R 100K J 1/10W	6	
R616			RK73GB2A162J	CHIP R 1.6K J 1/10W	7	
R617			RK73GB2A222J	CHIP R 2.2K J 1/10W		
R618			RK73GB2A332J	CHIP R 3.3K J 1/10W		
R619,620			RK73GB2A222J	CHIP R 2.2K J 1/10W		
R621			RK73GB2A472J	CHIP R 4.7K J 1/10W		
R622,623			RK73GB2A101J	CHIP R 100 J 1/10W		
R624			RK73GB2A104J	CHIP R 100K J 1/10W		
R625			RK73GB2A101J	CHIP R 100 J 1/10W		
R626			RK73GB2A104J	CHIP R 100K J 1/10W		
R627			RK73GB2A101J	CHIP R 100 J 1/10W		
R628			RK73GB2A104J	CHIP R 100K J 1/10W		
R629			RK73GB2A101J	CHIP R 100 J 1/10W		
R631			RK73GB2A104J	CHIP R 100K J 1/10W		
R632			RK73GB2A222J	CHIP R 2.2K J 1/10W		

L: Scandinavia K: USA P: Canada R: Mexico C: China I: Malaysia  
 Y: PX(Far East,Hawaii) T: England E: Europe G: Germany V: China(Shanghai)  
 Y: AAFES(Europe) X: Australia Q: Russia H: Korea M: Other Areas  $\Delta$ Indicates safety critical components.

\* New parts

Parts without **Parts No.** are not supplied.Les articles non mentionnés dans le **Parts No.** ne sont pas fournis.Teile ohne **Parts No.** werden nicht geliefert.

10

Ref. No.	Add-ress	New Parts	Parts No.	Description	Desti-nation	Re-marks
R633			RK73GB2A332J	CHIP R 3.3K J 1/10W	6	
R634			RK73GB2A104J	CHIP R 100K J 1/10W		
R635			RK73GB2A102J	CHIP R 1.0K J 1/10W		
R636-639			RK73GB2A101J	CHIP R 100 J 1/10W		
R640			RK73GB2A104J	CHIP R 100K J 1/10W		
R641			RK73GB2A101J	CHIP R 100 J 1/10W		
R642			RK73GB2A104J	CHIP R 100K J 1/10W		
R643-652			RK73GB2A101J	CHIP R 100 J 1/10W		
R653			RK73GB2A223J	CHIP R 22K J 1/10W		
R654			RK73GB2A101J	CHIP R 100 J 1/10W		
R655			RK73GB2A223J	CHIP R 22K J 1/10W		
R656			RK73GB2A101J	CHIP R 100 J 1/10W		
R657			RK73GB2A223J	CHIP R 22K J 1/10W		
R658			RK73GB2A101J	CHIP R 100 J 1/10W		
R659			RK73GB2A473J	CHIP R 47K J 1/10W		
R660			RK73GB2A101J	CHIP R 100 J 1/10W		
R661			RK73GB2A473J	CHIP R 47K J 1/10W		
R662,663			RK73GB2A101J	CHIP R 100 J 1/10W		
R664			RK73GB2A473J	CHIP R 47K J 1/10W		
R665-673			RK73GB2A101J	CHIP R 100 J 1/10W		
R674			RK73GB2A222J	CHIP R 2.2K J 1/10W		
R675-688			RK73GB2A101J	CHIP R 100 J 1/10W		
R689			RK73GB2A223J	CHIP R 22K J 1/10W		
R690			RK73GB2A101J	CHIP R 100 J 1/10W		
R691			RK73GB2A223J	CHIP R 22K J 1/10W		
R692			RK73GB2A101J	CHIP R 100 J 1/10W		
R693			RK73GB2A223J	CHIP R 22K J 1/10W		
R694			RK73GB2A101J	CHIP R 100 J 1/10W		
R695			RK73GB2A223J	CHIP R 22K J 1/10W		
R696-700			RK73GB2A101J	CHIP R 100 J 1/10W		
R701			RK73GB2A223J	CHIP R 22K J 1/10W		
R702			RK73GB2A101J	CHIP R 100 J 1/10W		
R703			RK73GB2A223J	CHIP R 22K J 1/10W		
R704-707			RK73GB2A101J	CHIP R 100 J 1/10W		
R708			RK73GB2A104J	CHIP R 100K J 1/10W		
R709			RK73GB2A101J	CHIP R 100 J 1/10W		
R710			RK73GB2A104J	CHIP R 100K J 1/10W		
R711			RK73GB2A1R0J	CHIP R 1.0 J 1/10W		
R712			RK73GB2A104J	CHIP R 100K J 1/10W		
R713			RK73GB2A1R0J	CHIP R 1.0 J 1/10W		
R714-716			RK73GB2A101J	CHIP R 100 J 1/10W		
R717-720			RK73GB2A104J	CHIP R 100K J 1/10W		
R721-723			RK73GB2A181J	CHIP R 180 J 1/10W		
R724			RK73GB2A104J	CHIP R 100K J 1/10W		
R725			RK73GB2A100J	CHIP R 10 J 1/10W		
R726-730			RK73GB2A104J	CHIP R 100K J 1/10W		
R731			RK73GB2A100J	CHIP R 10 J 1/10W		
R732-734			RK73GB2A104J	CHIP R 100K J 1/10W		
R735			RK73GB2A104J	CHIP R 100K J 1/10W	7	
R736			RK73GB2A332J	CHIP R 3.3K J 1/10W		
R738-747			RK73GB2A101J	CHIP R 100 J 1/10W		
R750,751			RK73GB2A100J	CHIP R 10 J 1/10W		
R752-754			RK73GB2A101J	CHIP R 100 J 1/10W		
R755			RK73GB2A101J	CHIP R 100 J 1/10W	7	
R761			RK73GB2A101J	CHIP R 100 J 1/10W		

L: Scandinavia K: USA P: Canada R: Mexico C: China I: Malaysia  
 Y: PX(Far East,Hawaii) T: England E: Europe G: Germany V: China(Shanghai)  
 Y: AAFES(Europe) X: Australia Q: Russia H: Korea M: Other Areas  $\Delta$ Indicates safety critical components.



\* New parts

Parts without **Parts No.** are not supplied.

Les articles non mentionnes dans le **Parts No.** ne sont pas fournis.

Teile ohne **Parts No.** werden nicht geliefert.

11

Ref. No.	Add-ress	New Parts	Parts No.	Description	Desti-nation	Re-marks
R762			RK73GB2A471J	CHIP R 470 J 1/10W		
R763			RK73GB2A100J	CHIP R 10 J 1/10W		
R771			RK73GB2A100J	CHIP R 10 J 1/10W		
△ R801,802			RK73GB2A1R0J	CHIP R 1.0 J 1/10W		
R803			RS14KB3A151J	FL-PROOF RS 150 J 1W		
△ R805			RK73GB2A100J	CHIP R 10 J 1/10W		
R806			RK73GB2A1R0J	CHIP R 1.0 J 1/10W		
△ R811,812			RK73GB2A1R0J	CHIP R 1.0 J 1/10W		
△ R815,816			RS14KB3D330J	FL-PROOF RS 33 J 2W		
△ R817			RK73GB2A561J	CHIP R 560 J 1/10W		
R818			RK73GB2A223J	CHIP R 22K J 1/10W		
R819			RK73GB2A151J	CHIP R 150 J 1/10W		
R820			RK73GB2A1R0J	CHIP R 1.0 J 1/10W		
R821			RK73GB2A222J	CHIP R 2.2K J 1/10W		
R822			RK73GB2A473J	CHIP R 47K J 1/10W		
R823			RK73GB2A102J	CHIP R 1.0K J 1/10W		
R824			RK73GB2A472J	CHIP R 4.7K J 1/10W		
R825			RK73GB2A102J	CHIP R 1.0K J 1/10W		
R826			RK73GB2A103J	CHIP R 10K J 1/10W		
△ R831,832			RK73GB2A2R2J	CHIP R 2.2 J 1/10W		
R833,834			RK73GB2A470J	CHIP R 47 J 1/10W		
R835			RK73GB2A152J	CHIP R 1.5K J 1/10W		
R836			RK73GB2A682J	CHIP R 6.8K J 1/10W		
R837			RK73GB2A102J	CHIP R 1.0K J 1/10W		
R838			RK73GB2A822J	CHIP R 8.2K J 1/10W		
R839			RK73GB2A222J	CHIP R 2.2K J 1/10W		
R840			RK73GB2A2R2J	CHIP R 2.2 J 1/10W		
R841,842			RK73GB2A152J	CHIP R 1.5K J 1/10W		
R843,844			RK73GB2A151J	CHIP R 150 J 1/10W		
R845			RK73GB2A333J	CHIP R 33K J 1/10W		
R851			RK73GB2A222J	CHIP R 2.2K J 1/10W		
R852			RK73GB2A103J	CHIP R 10K J 1/10W		
R853			RK73GB2A101J	CHIP R 100 J 1/10W		
R854,855			RK73GB2A103J	CHIP R 10K J 1/10W		
R856			RK73GB2A222J	CHIP R 2.2K J 1/10W		
R861			RK73GB2A222J	CHIP R 2.2K J 1/10W		
R862			RK73GB2A103J	CHIP R 10K J 1/10W		
R863			RK73GB2A101J	CHIP R 100 J 1/10W		
R864,865			RK73GB2A103J	CHIP R 10K J 1/10W		
R866,867			RK73GB2A222J	CHIP R 2.2K J 1/10W		
R871			RK73GB2A102J	CHIP R 1.0K J 1/10W		
R872,873			RK73GB2A104J	CHIP R 100K J 1/10W		
R874			RK73GB2A102J	CHIP R 1.0K J 1/10W		
R875			RK73GB2A103J	CHIP R 10K J 1/10W		
R876			RK73GB2A102J	CHIP R 1.0K J 1/10W		
R877			RK73GB2A244J	CHIP R 240K J 1/10W		
R878			RK73GB2A104J	CHIP R 100K J 1/10W		
R880			RK73GB2A000J	CHIP R 0.0 J 1/10W		
R881			RK73GB2A1R0J	CHIP R 1.0 J 1/10W		
R882			RK73GB2A104J	CHIP R 100K J 1/10W		
R883			RK73GB2A474J	CHIP R 470K J 1/10W		
R884			RK73GB2A000J	CHIP R 0.0 J 1/10W		
R886			RK73GB2A2R2J	CHIP R 2.2 J 1/10W		
R887,888			RK73GB2A000J	CHIP R 0.0 J 1/10W		
R889			RK73GB2A000J	CHIP R 0.0 J 1/10W	6	

L: Scandinavia K: USA P: Canada R: Mexico C: China I: Malaysia  
 Y: PX(Far East,Hawaii) T: England G: Germany V: China(Shanghai)  
 Y: AAFES(Europe) X: Australia Q: Russia H: Korea M: Other Areas  
 △Indicates safety critical components.

\* New parts

Parts without **Parts No.** are not supplied.

Les articles non mentionnes dans le **Parts No.** ne sont pas fournis.

Teile ohne **Parts No.** werden nicht geliefert.

12

Ref. No.	Add-ress	New Parts	Parts No.	Description	Desti-nation	Re-marks
△ R891			RK73GB2A561J	CHIP R 560 J 1/10W		
R892			RK73GB2A223J	CHIP R 22K J 1/10W		
R893			RK73GB2A1R0J	CHIP R 1.0 J 1/10W		
R899			RK73GB2A000J	CHIP R 0.0 J 1/10W		
R900			RK73GB2A121J	CHIP R 120 J 1/10W		
R901,902			RK73GB2A240J	CHIP R 24 J 1/10W		
R903-905			RK73GB2A101J	CHIP R 100 J 1/10W		
R906-908			RK73GB2A473J	CHIP R 47K J 1/10W		
R913			RK73GB2A473J	CHIP R 47K J 1/10W		
R914,915			RK73GB2A101J	CHIP R 100 J 1/10W		
R916			RK73GB2A473J	CHIP R 47K J 1/10W		
R917-919			RK73GB2A101J	CHIP R 100 J 1/10W		
R920-922			RK73GB2A473J	CHIP R 47K J 1/10W		
R923			RK73GB2A101J	CHIP R 100 J 1/10W		
R924			RK73GB2A473J	CHIP R 47K J 1/10W		
R925,926			RK73GB2A101J	CHIP R 100 J 1/10W		
R927			RK73GB2A473J	CHIP R 47K J 1/10W		
R928			RK73GB2A102J	CHIP R 1.0K J 1/10W		
R929			RK73GB2A101J	CHIP R 100 J 1/10W		
R930,931			RK73GB2A473J	CHIP R 47K J 1/10W		
R932-934			RK73GB2A153J	CHIP R 15K J 1/10W		
R935-937			RK73GB2A2R2J	CHIP R 2.2 J 1/10W		
R939,940			RK73GB2A105J	CHIP R 1.0M J 1/10W		
R947,948			RK73GB2A100J	CHIP R 10 J 1/10W		
R949-952			RK73GB2A102J	CHIP R 1.0K J 1/10W		
R953,954			RK73GB2A822J	CHIP R 8.2K J 1/10W		
R955,956			RK73GB2A682J	CHIP R 6.8K J 1/10W		
R957,958			RK73GB2A104J	CHIP R 100K J 1/10W		
R960			RK73GB2A103J	CHIP R 10K J 1/10W		
R961			RK73GB2A100J	CHIP R 10 J 1/10W		
R980,981			RK73GB2A100J	CHIP R 10 J 1/10W		
R996-998			RK73GB2A104J	CHIP R 100K J 1/10W		
R999			RK73GB2A100J	CHIP R 10 J 1/10W		
D301			DA204U	DIODE		
D311			DA204U	DIODE		
D331			DA204U	DIODE		
D421,422			DA204U	DIODE		
D571			1SS355	DIODE		
D595			1SS355	DIODE		
D600			DA204U	DIODE		
D601			1SS355	DIODE		
D801			UDZS5.6B	ZENER DIODE		
D811			UDZS5.6B	ZENER DIODE		
D815			UDZS3.9B	ZENER DIODE		
D821			UDZS3.9B	ZENER DIODE		
D822,823			1SS355	DIODE		
D826			1SS355	DIODE		
D831			UDZS2.4B	ZENER DIODE		
D832			1SS355	DIODE		
D851			UDZS3.3B	ZENER DIODE		
D852			1SS355	DIODE		
D861			UDZS3.3B	ZENER DIODE		
D862-864			1SS355	DIODE		
△ D871-875			1SS355	DIODE		

L: Scandinavia K: USA P: Canada R: Mexico C: China I: Malaysia  
 Y: PX(Far East,Hawaii) T: England G: Germany V: China(Shanghai)  
 Y: AAFES(Europe) X: Australia Q: Russia H: Korea M: Other Areas  
 △Indicates safety critical components.

PARTS LIST

KRF-V6200D/V7200D

\* New parts

Parts without **Parts No.** are not supplied.Les articles non mentionnés dans le **Parts No.** ne sont pas fournis.Teile ohne **Parts No.** werden nicht geliefert.

13

Ref. No.	Add-ress	New Parts	Parts No.	Description	Desti-nation	Re-marks
D900-902 D980 D992,993 IC11 IC31			DA204U DA204U DA204U NJM4565MD-ZB NJM4565MD-ZB	DIODE DIODE DIODE ANALOGUE IC ANALOGUE IC		
IC51 IC71 IC91 IC101 IC111			NJM4565MD-ZB NJM4565MD-ZB NJM4565MD-ZB NJM4565MD-ZB NJM4565MD-ZB	ANALOGUE IC ANALOGUE IC ANALOGUE IC ANALOGUE IC ANALOGUE IC	6	
IC121 IC131 IC151 IC171 IC181			NJU7311AM-ZB NJM4565MD-ZB R2S15205FP NJM4565MD-ZB NJM4565MD-ZB	ANALOGUE IC ANALOGUE IC ANALOGUE IC ANALOGUE IC ANALOGUE IC	7 6	
IC191 IC401 IC402 IC501 IC551		*	NJM4565MD-ZB AK4628AVQP AK4114VQ CS493263-CLZ 74HC3GU04DP	ANALOGUE IC MOS-IC MOS-IC MOS-IC MOS-IC		
IC571 IC601 IC721 IC731 IC741		*	TC7WH123FU-F MN101E16KKA TC74HCT700FF TC74HCT700FF TC74HCT700FF	MOS-IC MICROCONTROLLER IC MOS-IC MOS-IC MOS-IC		
IC750 IC761 IC801 IC805 IC811		*	NJU3713AV-ZB LC72725KV BA05CC0T KIA7805API-P XC6201P332PRN	MOS-IC ANALOGUE IC ANALOGUE IC ANALOGUE IC ANALOGUE IC		
IC815 IC871 IC881 IC900 IC901		*	XC62EP2502MRN XC61CN2702MRN XC62HR4102PRN UPD63901 XC6201P332PRN	ANALOGUE IC ANALOGUE IC ANALOGUE IC MOS-IC ANALOGUE IC		
IC902 IC903 IC951 Q361 Q363		*	MIC2005-05YM6 74AHCT1G04GW NJM4565MD-ZB DTC643TU DTC643TU	MOS-IC MOS-IC ANALOGUE IC DIGITAL TRANSISTOR DIGITAL TRANSISTOR		
Q371-374 Q381,382 Q385,386 Q571 Q815			DTC643TU 2SC4213 (B)-F 2SC4213 (B)-F DTC124EUA 2SB1375-F	DIGITAL TRANSISTOR TRANSISTOR TRANSISTOR DIGITAL TRANSISTOR TRANSISTOR	6	
Q821 Q822 Q831 Q832 Q833,834			2SA1576A (R,S) 2SC4081 (R,S) 2SC2003-A (L,K) 2SA954-A (L,K) 2SK879-F (Y,GR)	TRANSISTOR TRANSISTOR TRANSISTOR TRANSISTOR FET		
Q835 Q836,837 Q838 Q851 Q861			2SC4081 (R,S) 2SA1576A (R,S) 2SC4081 (R,S) 2SA1576A (R,S) 2SA1576A (R,S)	TRANSISTOR TRANSISTOR TRANSISTOR TRANSISTOR TRANSISTOR		

L: Scandinavia K: USA P: Canada R: Mexico C: China I: Malaysia  
 Y: PX(Far East,Hawaii) T: England E: Europe G: Germany V: China(Shanghai)  
 Y: AAFES(Europe) X: Australia Q: Russia H: Korea M: Other Areas  $\Delta$ Indicates safety critical components.

\* New parts

Parts without **Parts No.** are not supplied.Les articles non mentionnés dans le **Parts No.** ne sont pas fournis.Teile ohne **Parts No.** werden nicht geliefert.

14

Ref. No.	Add-ress	New Parts	Parts No.	Description	Desti-nation	Re-marks
Q871 Q872 Q873			2SA1576A (R,S) 2SC4081 (R,S) 2SB1375-F	TRANSISTOR TRANSISTOR TRANSISTOR		
A591,592			W02-4652-05	OPTIC RECEIVING MODULE		
<b>AUDIO (X09-7032-71&amp;-72)</b>						
C1,2 C3,4 C5,6 C7,8 C9,10			CC73GCH1H102J CD04BJ1H2R2M CC73GCH1H471J CC73GCH1H391J CD04BJ1V330M	CHIP C ELECTRO CHIP C CHIP C ELECTRO	1000PF 2.2UF 470PF 390PF 33UF	J 50WV J J 35WV
C11,12 C13-16 C17-24 C25,26 C27,28			CC73GCH1H270J C91-1577-05 CK73GB1H223K CD04BJ1H2R2M CC73GCH1H471J	CHIP C MP-C CHIP C ELECTRO CHIP C	27PF 0.22UF 0.022UF 2.2UF 470PF	J J K 50WV J
C29,30 C31,32 C33,34 C35-38 C39-42			CC73GCH1H391J CD04BJ1V330M CC73GCH1H270J C91-1577-05 CK73GB1H223K	CHIP C ELECTRO CHIP C MP-C CHIP C	390PF 33UF 27PF 0.22UF 0.022UF	J 35WV J J K
C43-46 C47-51 C52,53 C101 C102			CK73GB1H223K CD04BJ1H100M CD04BJ1H100M CD04BJ1H2R2M CC73GCH1H471J	CHIP C ELECTRO ELECTRO ELECTRO CHIP C	0.022UF 10UF 10UF 2.2UF 470PF	K 50WV 50WV 50WV J
C103 C104 C105 C106,107 C108,109			CC73GCH1H391J CD04BJ1V330M CC73GCH1H270J C91-1577-05 CK73GB1H223K	CHIP C ELECTRO CHIP C MP-C CHIP C	390PF 33UF 27PF 0.22UF 0.022UF	J 35WV J J K
C201,202 C203 C204,205 C206,207 C208,209			CC73GCH1H100D CK73GB1H152K CC73GCH1H471J CD04BJ1A101M CC73GCH1H080D	CHIP C CHIP C CHIP C ELECTRO CHIP C	10PF 1500PF 470PF 100UF 8.0PF	D K J 10WV D
C210 C211 C212 C213 C214			CK73GB1H152K CD04BJ1H2R2M CD04BJ1A101M CC73GCH1H390J CD04BJ1H2R2M	CHIP C ELECTRO ELECTRO CHIP C ELECTRO	1500PF 2.2UF 100UF 39PF 2.2UF	K 50WV 10WV J 50WV
C215 C216 C217,218 C219-224 C226,227			CD04BJ1A101M CC73GCH1H390J CC73GCH1H221J CC73GCH1H220J CC73GCH1H100D	ELECTRO CHIP C CHIP C CHIP C CHIP C	100UF 39PF 220PF 22PF 10PF	10WV J J J D
C229-233 C234,235 C236,237 C240 C241,242			CC73GCH1H221J CD04BJ1E470M CC73GCH1H221J CC73GCH1H221J CK73GB1H472K	CHIP C ELECTRO CHIP C CHIP C CHIP C	220PF 47UF 220PF 220PF 4700PF	J 25WV J J K
C243-246 C247,248 C249,250 C301			C91-1577-05 CC73GCH1H070D CC73GCH1H100D CD04AU1H2R2M	MP-C CHIP C CHIP C NP-ELEC	0.22UF 7.0PF 10PF 2.2UF	J D D 50WV

L: Scandinavia K: USA P: Canada R: Mexico C: China I: Malaysia  
 Y: PX(Far East,Hawaii) T: England E: Europe G: Germany V: China(Shanghai)  
 Y: AAFES(Europe) X: Australia Q: Russia H: Korea M: Other Areas  $\Delta$ Indicates safety critical components.

\* New parts

Parts without **Parts No.** are not supplied.

Les articles non mentionnes dans le **Parts No.** ne sont pas fournis.

Teile ohne **Parts No.** werden nicht geliefert.

15

Ref. No.	Add-ress	New Parts	Parts No.	Description	Desti-nation	Re-marks
C302			CD04BJ1E470M	ELECTRO 47UF 25WV		
C303			CD04BJ1H100M	ELECTRO 10UF 50WV		
C304			CD04BJ1H010M	ELECTRO 1.0UF 50WV		
C305			CD04BJ1V330M	ELECTRO 33UF 35WV		
C306			CD04BJ1A101M	ELECTRO 100UF 10WV		
C307			CD04BJ1H010M	ELECTRO 1.0UF 50WV		
C308			CD04BJ1H100M	ELECTRO 10UF 50WV		
C309			CD04BJ1E470M	ELECTRO 47UF 25WV		
C311-315			CK73GB1H472K	CHIP C 4700PF K		
C501,502			C91-1567-05	FILM 0.1UF J	6	
C503,504			C90-5775-05	ELECTRO 4700UF 75WV		
C505,506			CQ93FMG1H104J	MYLAR 0.10UF J		
C507			CD04BJ1E222M1	ELECTRO 2200UF 25WV		
C508			CD04BJ1E471M1	ELECTRO 47UF 25WV		
C509,510			CK73GB1H104K	CHIP C 0.10UF K		
C511			CD04BJ1E101M	ELECTRO 100UF 25WV		
C512			CD04BJ1E470M	ELECTRO 47UF 25WV		
C513			CD04BJ1J471M1	ELECTRO 47UF 63WV		
C514			CD04BJ1J330M	ELECTRO 33UF 63WV		
C515			CD04BJ1J470M	ELECTRO 47UF 63WV		
C516			CK45FF1H103Z	CERAMIC 0.010UF Z		
C517			CD04BJ1C472M1	ELECTRO 4700UF 16WV		
C518			CD04BJ1H100M	ELECTRO 10UF 50WV		
C519			CD04BJ1H470M	ELECTRO 47UF 50WV		
C520			CK73GB1H223K	CHIP C 0.022UF K		
C522,523			CD04BJ2A100M	ELECTRO 10UF 100WV		
C524,525			CD04BJ1J330M	ELECTRO 33UF 63WV		
C526,527			CK73GB1H104K	CHIP C 0.10UF K		
C601			CK45FF1H103Z	CERAMIC 0.010UF Z		
C602			CD04BJ1C472M1	ELECTRO 4700UF 16WV		
C603			CK73GB1H104K	CHIP C 0.10UF K		
C604			CD04BJ1E101M	ELECTRO 100UF 25WV		
C605			CK73GB1H104K	CHIP C 0.10UF K		
CN3			E41-1443-05	FLAT CABLE CONNECTOR,1.25,29P		
J5,6		*	E70-1018-05+	SCREW TERMINAL BOARD,4P BANANA		
J7		*	E70-1009-05+	SCREW TERMINAL BOARD,6P,RED/BL		
J8		*	E70-1018-05+	SCREW TERMINAL BOARD,4P BANANA	7	
E1			J11-0898-05	WIRE CLAMPER		
L1,2			L39-1631-05+	PHASE COMPENSATION COIL	7	
L3-7			L39-1631-05+	PHASE COMPENSATION COIL		
Δ CP1,2			R90-0187-05	MULTI-COMP 0.22X2 K 5W	7	
R1,2			RK73GB2A222J	CHIP R 2.2K J 1/10W		
R3			RK73GB2A473J	CHIP R 47K J 1/10W		
R4			RK73GB2A1R0J	CHIP R 1.0 J 1/10W		
R5,6			RK73GB2A222J	CHIP R 2.2K J 1/10W		
R9,10			RK73GB2A122J	CHIP R 1.2K J 1/10W	7	
R11,12			RK73GB2A104J	CHIP R 100K J 1/10W		
R13,14			RK73GB2A563J	CHIP R 56K J 1/10W		
R15,16			RK73GB2A101J	CHIP R 100 J 1/10W		
R17,18			RK73GB2A182J	CHIP R 1.8K J 1/10W		
R19,20			RK73GB2A102J	CHIP R 1.0K J 1/10W		
R23-26			RS14KB3DR22J	FL-PROOF RS 0.22 J 2W		
R27,28			RD14NB2E4R7J	RD 4.7 J 1/4W	7	

L: Scandinavia K: USA P: Canada R: Mexico C: China I: Malaysia  
 Y: PX(Far East,Hawaii) T: England E: Europe G: Germany V: China(Shanghai)  
 Y: AAFES(Europe) X: Australia Q: Russia H: Korea M: Other Areas Δ Indicates safety critical components.

\* New parts

Parts without **Parts No.** are not supplied.

Les articles non mentionnes dans le **Parts No.** ne sont pas fournis.

Teile ohne **Parts No.** werden nicht geliefert.

16

Ref. No.	Add-ress	New Parts	Parts No.	Description	Desti-nation	Re-marks
R29,30			RS14KB3D4R7J	FL-PROOF RS 4.7 J 2W	7	
R31,32			RS14KB3D391J	FL-PROOF RS 390 J 2W		
R33,34			RK73GB2A222J	CHIP R 2.2K J 1/10W		
R35,36			RK73GB2A104J	CHIP R 100K J 1/10W		
R37,38			RK73GB2A563J	CHIP R 56K J 1/10W		
R39,40			RK73GB2A101J	CHIP R 100 J 1/10W		
R41,42			RK73GB2A182J	CHIP R 1.8K J 1/10W		
R43,44			RK73GB2A102J	CHIP R 1.0K J 1/10W		
R47-50			RS14KB3DR22J	FL-PROOF RS 0.22 J 2W		
R51,52			RD14NB2E4R7J	RD 4.7 J 1/4W		
R53,54			RS14KB3D4R7J	FL-PROOF RS 4.7 J 2W		
R55,56			RK73GB2A222J	CHIP R 2.2K J 1/10W	7	
R61			RK73GB2A000J	CHIP R 0.0 J 1/10W		
R69,70			RK73GB2A122J	CHIP R 1.2K J 1/10W	6	
R101			RK73GB2A222J	CHIP R 2.2K J 1/10W		
R102			RK73GB2A104J	CHIP R 100K J 1/10W		
R103			RK73GB2A563J	CHIP R 56K J 1/10W		
R104			RK73GB2A101J	CHIP R 100 J 1/10W		
R105			RK73GB2A182J	CHIP R 1.8K J 1/10W		
R106			RK73GB2A102J	CHIP R 1.0K J 1/10W		
R108,109			RS14KB3DR22J	FL-PROOF RS 0.22 J 2W		
R110			RD14NB2E4R7J	RD 4.7 J 1/4W		
R111			RS14KB3D4R7J	FL-PROOF RS 4.7 J 2W		
R112			RK73GB2A153J	CHIP R 15K J 1/10W		
R113			RK73GB2A333J	CHIP R 33K J 1/10W		
R203			RK73GB2A302J	CHIP R 3.0K J 1/10W	7	
R204			RK73GB2A104J	CHIP R 100K J 1/10W	7	
R205			RK73GB2A390J	CHIP R 39 J 1/10W	7	
R206,207			RK73GB2A302J	CHIP R 3.0K J 1/10W	7	
R208			RK73EB2E000J	CHIP R 0.0 J 1/4W	7	
R209			RK73GB2A104J	CHIP R 100K J 1/10W	7	
R210			RK73GB2A390J	CHIP R 39 J 1/10W	7	
R211			RK73GB2A103J	CHIP R 10K J 1/10W	7	
R213			RK73EB2E000J	CHIP R 0.0 J 1/4W	7	
R214			RK73GB2A302J	CHIP R 3.0K J 1/10W	7	
R215			RK73GB2A222J	CHIP R 2.2K J 1/10W	7	
R217			RK73GB2A101J	CHIP R 100 J 1/10W	7	
R218			RK73GB2A103J	CHIP R 10K J 1/10W	7	
R219			RK73GB2A222J	CHIP R 2.2K J 1/10W	7	
R220,221			RK73GB2A151J	CHIP R 150 J 1/10W	7	
R222			RK73GB2A222J	CHIP R 2.2K J 1/10W	7	
R223			RK73GB2A561J	CHIP R 560 J 1/10W	7	
R224			RK73GB2A101J	CHIP R 100 J 1/10W	7	
R226			RK73GB2A222J	CHIP R 2.2K J 1/10W	7	
R228,229			RK73GB2A301J	CHIP R 300 J 1/10W	7	
R230			RK73GB2A561J	CHIP R 560 J 1/10W	7	
R231-234			RK73GB2A911J	CHIP R 910 J 1/10W	7	
R235,236			RK73GB2A121J	CHIP R 120 J 1/10W	7	
R237,238			RK73GB2A622J	CHIP R 6.2K J 1/10W	7	
R241,242			RK73GB2A102J	CHIP R 1.0K J 1/10W	7	
R243,244			RK73GB2A221J	CHIP R 220 J 1/10W	7	
R245-247			RK73GB2A470J	CHIP R 47 J 1/10W	7	
R248,249			RK73GB2A222J	CHIP R 2.2K J 1/10W	7	
R250,251			RK73GB2A221J	CHIP R 220 J 1/10W	7	
R252			RK73GB2A470J	CHIP R 47 J 1/10W	7	

L: Scandinavia K: USA P: Canada R: Mexico C: China I: Malaysia  
 Y: PX(Far East,Hawaii) T: England E: Europe G: Germany V: China(Shanghai)  
 Y: AAFES(Europe) X: Australia Q: Russia H: Korea M: Other Areas Δ Indicates safety critical components.

PARTS LIST

KRF-V6200D/V7200D

\* New parts

Parts without **Parts No.** are not supplied.Les articles non mentionnés dans le **Parts No.** ne sont pas fournis.Teile ohne **Parts No.** werden nicht geliefert.

17

Ref. No.	Add-ress	New Parts	Parts No.	Description	Desti-nation	Re-marks
R253,254			RK73GB2A303J	CHIP R 30K J 1/10W	7	
R255,256			RK73GB2A912J	CHIP R 9.1K J 1/10W	7	
R257,258			RK73GB2A471J	CHIP R 470 J 1/10W	7	
R259-264			RK73GB2A473J	CHIP R 47K J 1/10W		
R265,266			RD14NB2E4R7J	RD 4.7 J 1/4W		
R267,268			RS14KB3D4R7J	FL-PROOF RS 4.7 J 2W		
R269,270			RK73GB2A100J	CHIP R 10 J 1/10W		
R271,272			RK73GB2A225J	CHIP R 2.2M J 1/10W	7	
R301			RK73GB2A272J	CHIP R 2.7K J 1/10W		
R302-305			RK73GB2A103J	CHIP R 10K J 1/10W		
R306			RK73GB2A104J	CHIP R 100K J 1/10W		
R307			RK73GB2A330J	CHIP R 33 J 1/10W		
R308			RK73GB2A104J	CHIP R 100K J 1/10W		
R309			RK73GB2A102J	CHIP R 1.0K J 1/10W		
R310			RK73GB2A183J	CHIP R 18K J 1/10W		
R311			RK73GB2A104J	CHIP R 100K J 1/10W		
R312			RK73GB2A183J	CHIP R 18K J 1/10W		
R313			RK73GB2A104J	CHIP R 100K J 1/10W		
R314			RK73GB2A222J	CHIP R 2.2K J 1/10W	6	
R315			RK73GB2A152J	CHIP R 1.5K J 1/10W		
R316			RK73GB2A182J	CHIP R 1.8K J 1/10W	7	
R317			RK73GB2A242J	CHIP R 2.4K J 1/10W		
R320			RK73GB2A152J	CHIP R 1.5K J 1/10W		
R321			RK73GB2A102J	CHIP R 1.0K J 1/10W		
R322			RK73GB2A473J	CHIP R 47K J 1/10W		
R323			RK73GB2A102J	CHIP R 1.0K J 1/10W		
R324			RK73GB2A473J	CHIP R 47K J 1/10W		
R325			RK73GB2A333J	CHIP R 33K J 1/10W		
R326			RK73GB2A561J	CHIP R 560 J 1/10W		
R327			RK73GB2A103J	CHIP R 10K J 1/10W		
R328			RK73GB2A102J	CHIP R 1.0K J 1/10W		
R329,330			RK73GB2A473J	CHIP R 47K J 1/10W		
R331			RK73GB2A472J	CHIP R 4.7K J 1/10W	6	
R331			RK73GB2A562J	CHIP R 5.6K J 1/10W	7	
R332			RK73GB2A473J	CHIP R 47K J 1/10W	7	
R333			RK73GB2A473J	CHIP R 47K J 1/10W		
R334			RK73GB2A473J	CHIP R 47K J 1/10W	7	
R335,336			RK73GB2A473J	CHIP R 47K J 1/10W		
R337,338			RK73GB2A473J	CHIP R 47K J 1/10W	7	
R340,341			RK73GB2A473J	CHIP R 47K J 1/10W		
R344			RK73GB2A473J	CHIP R 47K J 1/10W		
R345			RK73GB2A333J	CHIP R 33K J 1/10W		
R346			RK73GB2A473J	CHIP R 47K J 1/10W		
R347			RK73GB2A362J	CHIP R 3.6K J 1/10W		
R349-351			RK73GB2A471J	CHIP R 470 J 1/10W		
R352-354			RK73GB2A912J	CHIP R 9.1K J 1/10W		
R355-357			RK73GB2A303J	CHIP R 30K J 1/10W		
R358,359			RK73GB2A471J	CHIP R 470 J 1/10W		
R360,361			RK73GB2A912J	CHIP R 9.1K J 1/10W		
R362,363			RK73GB2A303J	CHIP R 30K J 1/10W		
R364			RK73GB2A102J	CHIP R 1.0K J 1/10W		
R367			RK73GB2A102J	CHIP R 1.0K J 1/10W		
R369			RK73GB2A102J	CHIP R 1.0K J 1/10W		
R371,372			RK73GB2A102J	CHIP R 1.0K J 1/10W		
R374			RK73GB2A102J	CHIP R 1.0K J 1/10W	7	

L: Scandinavia K: USA P: Canada R: Mexico C: China I: Malaysia  
 Y: PX(Far East,Hawaii) T: England E: Europe G: Germany V: China(Shanghai)  
 Y: AAFES(Europe) X: Australia Q: Russia H: Korea M: Other Areas ΔIndicates safety critical components.

\* New parts

Parts without **Parts No.** are not supplied.Les articles non mentionnés dans le **Parts No.** ne sont pas fournis.Teile ohne **Parts No.** werden nicht geliefert.

18

Ref. No.	Add-ress	New Parts	Parts No.	Description	Desti-nation	Re-marks
Δ R501			RD14NB2E1R0J	RD 1.0 J 1/4W		
R503			RK73GB2A471J	CHIP R 470 J 1/10W		
Δ R504			RK73GB2A4R7J	CHIP R 4.7 J 1/10W		
R505,506			RK73GB2A473J	CHIP R 47K J 1/10W		
R508			RD14NB2E222J	RD 2.2K J 1/4W		
R510			RS14KB3D470J	FL-PROOF RS 47 J 2W		
R512			RK73GB2A473J	CHIP R 47K J 1/10W		
R513			RK73GB2A2R2J	CHIP R 2.2 J 1/10W		
Δ R514,515			RK73GB2A1R0J	CHIP R 1.0 J 1/10W		
R517			RD14NB2E822J	RD 8.2K J 1/4W	6	
Δ R518			RS14KB3D102J	FL-PROOF RS 1.0K J 2W		
Δ R519,520			RS14KB3D182J	FL-PROOF RS 1.8K J 2W	7	
Δ R519,520			RS14KB3D332J	FL-PROOF RS 3.3K J 2W	6	
Δ R522			RD14NB2E182J	RD 1.8K J 1/4W		
Δ R523			RS14KB3D331J	FL-PROOF RS 330 J 2W		
R524			RK73GB2A561J	CHIP R 560 J 1/10W		
R525			RK73GB2A132J	CHIP R 1.3K J 1/10W	7	
R526			RK73GB2A473J	CHIP R 47K J 1/10W		
Δ R527,528			RD14NB2E1R0J	RD 1.0 J 1/4W		
Δ R529-533			RK73GB2A1R0J	CHIP R 1.0 J 1/10W		
R700,701			RK73GB2A000J	CHIP R 0.0 J 1/10W	7	
R702,703			RK73GB2A000J	CHIP R 0.0 J 1/10W	6	
R801			RK73GB2A000J	CHIP R 0.0 J 1/10W	7	
R802			RK73GB2A000J	CHIP R 0.0 J 1/10W		
R803			RK73GB2A000J	CHIP R 0.0 J 1/10W	7	
R804			RK73GB2A000J	CHIP R 0.0 J 1/10W		
VR-4			R32-0340-05	SEMI FIXED VARIABLE RESISTOR	7	
K1-5			S76-0097-05	MAGNETIC RELAY		
K6			S76-0097-05	MAGNETIC RELAY	7	
D1,2			1SS133	DIODE	7	
D3-7			1SS133	DIODE		
D201,202			DA204U	DIODE	7	
D203-206			1SS133	DIODE	7	
D301,302			UDZS3.3B	ZENER DIODE		
D304			DAN202U	DIODE		
D305			UDZS3.3B	ZENER DIODE		
D306			1SS133	DIODE		
D307			DAP202U	DIODE		
D308			1SS133	DIODE		
D309,310			DAN202U	DIODE		
D311,312			1SS133	DIODE		
D314,315			DAN202U	DIODE		
D316-320			1SS133	DIODE		
D321			1SS133	DIODE	7	
D322			1SS355	DIODE		
Δ D501			TS6P03G-B	DIODE	6	
Δ D502-507			S5688B (TPB5) Q	DIODE		
D508			MTZJ16 (B)	ZENER DIODE		
D509			MTZJ15 (B)	ZENER DIODE		
Δ D510			TS4B03G-B1	DIODE		
D511			1SS355	DIODE		
D512			UDZS11B	ZENER DIODE		
D513			UDZS6.2B	ZENER DIODE		
D514			1SS133	DIODE		

L: Scandinavia K: USA P: Canada R: Mexico C: China I: Malaysia  
 Y: PX(Far East,Hawaii) T: England E: Europe G: Germany V: China(Shanghai)  
 Y: AAFES(Europe) X: Australia Q: Russia H: Korea M: Other Areas ΔIndicates safety critical components.

\* New parts

Parts without **Parts No.** are not supplied.

Les articles non mentionnes dans le **Parts No.** ne sont pas fournis.

Teile ohne **Parts No.** werden nicht geliefert.

19

Ref. No.	Add-ress	New Parts	Parts No.	Description	Desti-nation	Re-marks
D515 D516,517 D518,519 D520 D521			S5688B (TPB5) Q UDZS15B UDZS7.5B UDZS16B UDZS30B	DIODE ZENER DIODE ZENER DIODE ZENER DIODE ZENER DIODE		
D522 D523 D524 D525 D601			MTZJ3.9 (B) 1SS355 UDZS5.6B UDZS5.1B TS4B03G-B1	ZENER DIODE DIODE ZENER DIODE ZENER DIODE DIODE		
D602 IC1 IC2 IC3 IC4			1SS133 STK433-330-E STK433-130-E KIA7812API-UP KIA7912API-UP	DIODE HYBRID IC HYBRID IC ANALOGUE IC ANALOGUE IC		
IC5 Q1,2 Q3,4 Q5-8 Q101		*	BA05CC0T DTC643TU DTC643TU DTC643TU DTC643TU	ANALOGUE IC DIGITAL TRANSISTOR DIGITAL TRANSISTOR DIGITAL TRANSISTOR DIGITAL TRANSISTOR	7	
Q201,202 Q203 Q204,205 Q206 Q207,208			2SK364F (GR,BL) 2SC4081 (R,S) 2SK364F (GR,BL) 2SC4081 (R,S) IMX8	FET TRANSISTOR FET TRANSISTOR DUAL TRANSISTOR	7 7 7 7 7	
Q209-212 Q213,214 Q215,216 Q217,218 Q219,220		*	2SA992-A (F,E) 2SC1845-A (F,E) 2SA992-A (F,E) TRAIT10N TRAIT10P	TRANSISTOR TRANSISTOR TRANSISTOR TRANSISTOR TRANSISTOR	7 7 7 7 7	
Q221,222 Q301,302 Q303,304 Q305 Q306,307			2SC1845-A (F,E) 2SA1576A (R,S) 2SC4081 (R,S) 2SA1576A (R,S) 2SC4081 (R,S)	TRANSISTOR TRANSISTOR TRANSISTOR TRANSISTOR TRANSISTOR	7	
Q308 Q309-313 Q314-318 Q319 Q501			2SA1576A (R,S) 2SC1845-A (F,E) DTC113ZUA DTC113ZUA 2SB1640-Q	TRANSISTOR TRANSISTOR DIGITAL TRANSISTOR DIGITAL TRANSISTOR TRANSISTOR	7	
Q502 Q503 Q504 Q505 Q506			2SC4081 (R,S) 2SA1576A (R,S) 2SB1640-Q 2SA1576A (R,S) 2SD2525-Q	TRANSISTOR TRANSISTOR TRANSISTOR TRANSISTOR TRANSISTOR		
Q507 Q508 Q509 Q510 TH1			2SB1640-Q 2SK879-F (Y,GR) 2SK879-F (Y,GR) 2SC4081 (R,S) NCP18WB473J0S	TRANSISTOR FET FET TRANSISTOR THERMISTOR	7	
TH2 TH3 TH4			NCP18WB473J0S NCP18WB473J0S NCP18WB473J0S	THERMISTOR THERMISTOR THERMISTOR	7 6	

L: Scandinavia K: USA P: Canada R: Mexico C: China I: Malaysia  
 Y: PX(Far East,Hawaii) T: England E: Europe G: Germany V: China(Shanghai)  
 Y: AAFES(Europe) X: Australia Q: Russia H: Korea M: Other Areas Δ:Indicates safety critical components.

\* New parts

Parts without **Parts No.** are not supplied.

Les articles non mentionnes dans le **Parts No.** ne sont pas fournis.

Teile ohne **Parts No.** werden nicht geliefert.

20

Ref. No.	Add-ress	New Parts	Parts No.	Description	Desti-nation	Re-marks
<b>DISPLAY (X14-8050-72&amp;-73/8052-71&amp;-72)</b>						
D102-104 D106 D108 D110			B30-2597-05 B30-2597-05 B30-2684-05 B30-2597-05	LED (LED RED (HIGH)) LED (LED RED (HIGH)) LED (LED BLUE 3PHI) LED (LED RED (HIGH))		
C101 C102 C103 C104,105 C106			CC73GCH1H101J CK73GB1H103K CD04BJ1A101M CD04BJ1H2R2M CD04AU1H220M	CHIP C CHIP C ELECTRO ELECTRO NP-ELEC	100PF 0.010UF 100UF 2.2UF 2.2UF	J K 10WV 50WV 50WV
C107,108 C109 C110,111 C112 C113,114			CK73GB1H103K CC73GCH1H102J CK73GB1H103K CD04BJ1J330M CC73GCH1H101J	CHIP C CHIP C CHIP C ELECTRO CHIP C	0.010UF 1000PF 0.010UF 33UF 100PF	K J K 63WV J
C115 C116-118 C119 C120 C121,122			CD04BJ1H470M CC73GCH1H101J CD04BJ1A101M CC73GCH1H101J CC73GCH1H100D	ELECTRO CHIP C ELECTRO CHIP C CHIP C	47UF 100PF 100UF 100PF 10PF	50WV J 10WV J D
C131,132 C201 C203 C204 C222			CD04BJ1H2R2M CK73GB1H103K CK73GB1H103K C91-1643-05 CD04BJ1A471M	ELECTRO CHIP C CHIP C MF-C ELECTRO	2.2UF 0.010UF 0.010UF 6800PF 470UF	50WV K K J 10WV
C301-303 C305,306 C307 C311,312 C321,322			CC73GCH1H101J CC73GCH1H102J CC73GCH1H101J CK73GB1H103K CK73GB1A105K	CHIP C CHIP C CHIP C CHIP C CHIP C	100PF 1000PF 100PF 0.010UF 1.0UF	J J J K K
C323,324 C325,326 C331 C332 C401,402			CC73GCH1H220J CK73GB1H104K CK73GB1H103K CC73GCH1H221J CK73GB1H104K	CHIP C CHIP C CHIP C CHIP C CHIP C	22PF 0.10UF 0.010UF 220PF 0.10UF	J K K J K
C404 C405 C406,407 C408 C501			CK73GB1H104K CD04BJ1E470M CK73GB1H104K CD04BJ1E470M CC73GCH1H101J	CHIP C ELECTRO CHIP C ELECTRO CHIP C	0.10UF 47UF 0.10UF 47UF 100PF	K 25WV K 25WV J
C502-505 C506 C507,508 C509,510 C511			CK73GB1H103K CK73GB1H104K CK73GB1H103K CD04BJ1E470M CD04BJ1C471M	CHIP C CHIP C CHIP C ELECTRO ELECTRO	0.010UF 0.10UF 0.010UF 47UF 470UF	K K K 25WV 16WV
C512-517 C518 C640 C641 C642			CC73GCH1H470J CC73GCH1H101J CD04BJ1E470M CK73GB1H472K CK73GB1H103K	CHIP C CHIP C ELECTRO CHIP C CHIP C	47PF 100PF 47UF 4700PF 0.010UF	J J 25WV K K
C643 C644 C645-647 C648,649			CK73GB1H472K CK73GB1H103K CD04BJ1E470M CC73GCH1H101J	CHIP C CHIP C ELECTRO CHIP C	4700PF 0.010UF 47UF 100PF	K K 25WV J

L: Scandinavia K: USA P: Canada R: Mexico C: China I: Malaysia  
 Y: PX(Far East,Hawaii) T: England E: Europe G: Germany V: China(Shanghai)  
 Y: AAFES(Europe) X: Australia Q: Russia H: Korea M: Other Areas Δ:Indicates safety critical components.

PARTS LIST

KRF-V6200D/V7200D



\* New parts

Parts without **Parts No.** are not supplied.Les articles non mentionnés dans le **Parts No.** ne sont pas fournis.Teile ohne **Parts No.** werden nicht geliefert.

21

Ref. No.	Add-ress	New Parts	Parts No.	Description	Desti-nation	Re-marks
C650-652			CC73GCH1H470J	CHIP C 47PF J		
C701-703			CK73GB1H104K	CHIP C 0.10UF K		
C704			CD04BJ1H010M	ELECTRO 1.0UF 50WV		
C705,706			CK73GB1H103K	CHIP C 0.010UF K		
C707			CD04BJ1A471M	ELECTRO 470UF 10WV		
C708			CD04BJ1H010M	ELECTRO 1.0UF 50WV		
C709,710			CK73GB1H103K	CHIP C 0.010UF K		
C711			CD04BJ1A471M	ELECTRO 470UF 10WV		
C712			CD04BJ1H010M	ELECTRO 1.0UF 50WV		
C713,714			CK73GB1H103K	CHIP C 0.010UF K		
C715			CD04BJ1A471M	ELECTRO 470UF 10WV		
C716			CD04BJ1H010M	ELECTRO 1.0UF 50WV		
C717,718			CK73GB1H103K	CHIP C 0.010UF K		
C719,720			CD04BJ1H010M	ELECTRO 1.0UF 50WV		
C721,722			CK73GB1H103K	CHIP C 0.010UF K		
C723,724			CD04BJ1H010M	ELECTRO 1.0UF 50WV		
C725,726			CK73GB1H103K	CHIP C 0.010UF K		
C727			CD04BJ1H010M	ELECTRO 1.0UF 50WV		
C728-734			CC73GCH1H100D	CHIP C 10PF D		
C735			CC73GCH1H820J	CHIP C 82PF J		
C736			CC73GCH1H100D	CHIP C 10PF D		
C737			CC73GCH1H820J	CHIP C 82PF J		
C738			CC73GCH1H100D	CHIP C 10PF D		
C739			CC73GCH1H820J	CHIP C 82PF J		
C801-804			C91-1567-05	FILM 0.1UF J	7	
C805			CD04BJ1J101M	ELECTRO 100UF 63WV	7	
C806			CD04BJ1J330M	ELECTRO 33UF 63WV	7	
C811,812			CD04BJ2A100M	ELECTRO 10UF 100WV	7	
C901,902			CC73GCH1H471J	CHIP C 470PF J		
Δ CN101			E41-1470-05	FLAT CABLE CONNECTOR,1.25,27P		
Δ J201			E03-0398-05	AC OUTLET	E	
Δ J202			E03-0325-05	AC OUTLET	X	
J302			E63-1388-05	PIN JACK		
J501			E56-0058-05	CYLINDRICAL RECEPTACLE		
J601			E63-1371-05	PIN JACK,2P2L,YEL,NI,LF		
J602			E63-1368-05	PIN JACK,3P,YEL,NI,LF		
J701,702			E63-1414-05	PIN JACK,VERTICAL 3P * 2		
J901			E11-0271-05	PHONE JACK (METAL SLEEVE)		
Δ F201			F50-0332-05	FUSE (5X20),T3.15A L 250V		
Δ F202			F50-0327-05	FUSE (5X20),T1A L 250V		
CN203-206			J13-0075-05	FUSE CLIP		
Δ T201			L07-2980-05	POWER TRANSFORMER		
X101			L78-0747-05	RESONATOR (4MHZ)		
Δ R102,103			RD14BB2C221J	RD 220 J 1/6W		
Δ R106			RK73GB2A100J	CHIP R 10 J 1/10W		
Δ R107			RK73GB2A101J	CHIP R 100 J 1/10W		
R111			RK73GB2A104J	CHIP R 100K J 1/10W		
Δ R112			RK73GB2A2R2J	CHIP R 2.2 J 1/10W		
R113-119			RK73GB2A104J	CHIP R 100K J 1/10W		
R124			RK73GB2A473J	CHIP R 47K J 1/10W		
R129			RK73GB2A473J	CHIP R 47K J 1/10W		
R132			RK73GB2A473J	CHIP R 47K J 1/10W		
R136			RK73GB2A473J	CHIP R 47K J 1/10W		

L: Scandinavia

K: USA

P: Canada

R: Mexico

C: China

I: Malaysia

Y: PX(Far East,Hawaii)

T: England

E: Europe

G: Germany

V: China(Shanghai)

Y: AAFES(Europe)

X: Australia

Q: Russia

H: Korea

M: Other Areas

Δ Indicates safety critical components.

\* New parts

Parts without **Parts No.** are not supplied.Les articles non mentionnés dans le **Parts No.** ne sont pas fournis.Teile ohne **Parts No.** werden nicht geliefert.

22

Ref. No.	Add-ress	New Parts	Parts No.	Description	Desti-nation	Re-marks
R139			RK73GB2A473J	CHIP R 47K J 1/10W		
Δ R141			RK73GB2A2R2J	CHIP R 2.2 J 1/10W		
R143-145			RK73GB2A101J	CHIP R 100 J 1/10W		
R148			RK73GB2A473J	CHIP R 47K J 1/10W		
R149			RK73GB2A104J	CHIP R 100K J 1/10W		
R153,154			RK73GB2A100J	CHIP R 10 J 1/10W		
R161			RK73GB2A102J	CHIP R 1.0K J 1/10W		
Δ R201			RD14NB2E1R0J	RD 1.0 J 1/4W		
Δ R202			RD14NB2E330J	RD 33 J 1/4W		
Δ R211			RK73GB2A2R2J	CHIP R 2.2 J 1/10W		
R301-303			RK73GB2A101J	CHIP R 100 J 1/10W		
R305,306			RK73GB2A104J	CHIP R 100K J 1/10W		
R307			RK73GB2A750J	CHIP R 75 J 1/10W		
R321,322			RK73GB2A104J	CHIP R 100K J 1/10W		
R323-326			RK73GB2A100J	CHIP R 10 J 1/10W		
R331,332			RK73GB2A100J	CHIP R 10 J 1/10W		
R402			RK73GB2A332J	CHIP R 3.3K J 1/10W		
R403			RK73GB2A223J	CHIP R 22K J 1/10W		
Δ R407			RS14KB3D391J	FL-PROOF RS 390 J 2W		
Δ R410			RK73GB2A100J	CHIP R 10 J 1/10W		
Δ R413			RS14KB3D821J	FL-PROOF RS 820 J 2W		
Δ R421,422			RK73GB2A2R2J	CHIP R 2.2 J 1/10W		
Δ R423			RK73GB2A472J	CHIP R 4.7K J 1/10W		
R425,426			RK73GB2A472J	CHIP R 4.7K J 1/10W		
R501,502			RK73GB2A221J	CHIP R 220 J 1/10W		
R503,504			RK73GB2A750J	CHIP R 75 J 1/10W		
R505,506			RK73GB2A104J	CHIP R 100K J 1/10W		
R507-510			RK73GB2A750J	CHIP R 75 J 1/10W		
Δ R611,612			RK73GB2A2R2J	CHIP R 2.2 J 1/10W		
R619			RK73GB2A102J	CHIP R 1.0K J 1/10W		
R620-622			RK73GB2A101J	CHIP R 100 J 1/10W		
R623,624			RK73GB2A750J	CHIP R 75 J 1/10W		
R625,626			RK73GB2A104J	CHIP R 100K J 1/10W		
R627-629			RK73GB2A750J	CHIP R 75 J 1/10W		
R651-653			RK73GB2A102J	CHIP R 1.0K J 1/10W		
R655			RK73GB2A000J	CHIP R 0.0 J 1/10W		
R701-703			RK73GB2A102J	CHIP R 1.0K J 1/10W		
R704-713			RK73GB2A750J	CHIP R 75 J 1/10W		
R714			RK73GB2A104J	CHIP R 100K J 1/10W		
R715			RK73GB2A750J	CHIP R 75 J 1/10W		
R716			RK73GB2A104J	CHIP R 100K J 1/10W		
R717			RK73GB2A750J	CHIP R 75 J 1/10W		
R718			RK73GB2A104J	CHIP R 100K J 1/10W		
Δ R721,722			RK73GB2A2R2J	CHIP R 2.2 J 1/10W		
R801			RS14KB3D122J	FL-PROOF RS 1.2K J 2W	7	
R802			RK73GB2A102J	CHIP R 1.0K J 1/10W		
R803			RK73GB2A223J	CHIP R 22K J 1/10W		
Δ K201			S76-0131-15	MAGNETIC RELAY		
Δ K801			S76-0134-05	MAGNETIC RELAY		
S103-109			S70-0086-05	TACT SWITCH		
S111,112			S70-0086-05	TACT SWITCH		
S302			S70-0086-05	TACT SWITCH		
S101,102			T99-0666-05	ROTARY ENCODER		
S301			T99-0664-05	ROTARY ENCODER,VOLUME		

L: Scandinavia

K: USA

P: Canada

R: Mexico

C: China

I: Malaysia

Y: PX(Far East,Hawaii)

T: England

E: Europe

G: Germany

V: China(Shanghai)

Y: AAFES(Europe)

X: Australia

Q: Russia

H: Korea

M: Other Areas

Δ Indicates safety critical components.



\* New parts

Parts without **Parts No.** are not supplied.

Les articles non mentionnes dans le **Parts No.** ne sont pas fournis.

Teile ohne **Parts No.** werden nicht geliefert.

Ref. No.	Add-ress	New Parts	Parts No.	Description	Desti-nation	Re-marks
D101			MTZJ6.2 (B)	ZENER DIODE		
D105			1SS133	DIODE		
D107			1SS133	DIODE		
D109			1SS133	DIODE		
Δ D201,202			1SS133	DIODE		
Δ D204-208			1SS133	DIODE		
D301-304			1SS133	DIODE		
D401			MTZJ3.3(B)	ZENER DIODE		
D403			MTZJ5.6(B)	ZENER DIODE		
Δ D801,802			TS6P03G-B	DIODE	7	
Δ D803,804			1SR139-400	DIODE	7	
D805			1SS133	DIODE	7	
ED101			11-MT-143GNK	FLUORESCENT INDICATOR TUBE		
IC101			MN12510F	MOS-IC		
IC321			BA4560RF	ANALOGUE IC		
Δ IC401			KIA7809API-P	ANALOGUE IC		
Δ IC402			KIA7905PI-P	ANALOGUE IC		
IC501,502			MM1228XFBE-E	ANALOGUE IC		
IC602			NJM2595M-ZB	ANALOGUE IC		
IC701			NJM2586AM-ZB	ANALOGUE IC		
Q101-107			2SC1740S (Q,R)	TRANSISTOR		
Q111			DTC124EUA	DIGITAL TRANSISTOR		
Q112-115			DTA143TUA	DIGITAL TRANSISTOR		
Q201			2SC1740S (Q,R)	TRANSISTOR		
Q401			2SA1576A (R,S)	TRANSISTOR		
Q402			DTC124EUA	DIGITAL TRANSISTOR		
Δ Q403,404			2SA1576A (R,S)	TRANSISTOR		
Δ Q405			2SC4081 (R,S)	TRANSISTOR		
Δ Q407			2SC2003-A (L,K)	TRANSISTOR		
Δ Q801			2SC1845-A (F,E)	TRANSISTOR	7	
Δ TH801,802			NCP18WB473J0S	THERMISTOR	7	
A101			W02-4600-05	ELECTRIC CIRCUIT MODULE,38KHZ		

L: Scandinavia

K: USA

P: Canada

R: Mexico

C: China

I: Malaysia

Y: PX(Far East,Hawaii)

T: England

E: Europe

G: Germany

V: China(Shanghai)

Y: AAFES(Europe)

X: Australia

Q: Russia

H: Korea

M: Other Areas

Δ Indicates safety critical components.

### HOW TO READ THE PARTS LIST

ABBREVIATION OF MODEL AND MASS PRODUCTION'S DESTINATIONS

MODEL	ABB.	Australia	Europe
KRF-V6200D	B	X2	E2
KRF-V6200D-S	S	X1	E1
KRF-V7200D	B	X4	E4
KRF-V7200D-S	S	X3	E3

# KRF-V6200D/V7200D

## SPECIFICATIONS

### AUDIO section

Rated output power during STEREO operation

KRF-V7200D : (63 Hz – 20 kHz, 0.7% T.H.D., at 6 Ω)	100 W + 100 W
KRF-V6200D : (63 Hz – 12.5 kHz, 0.7% T.H.D., at 6 Ω)	100 W + 100 W

Effective output power during STEREO operation

RMS (1 kHz, 10% T.H.D., at 6 Ω)	120 W + 120 W
---------------------------------	---------------

Effective power output during SURROUND operation

FRONT	
(1 kHz, 0.7 % T.H.D. at 6 Ω one channel driven)	100 W + 100 W
(1 kHz, 10 % T.H.D. at 6 Ω one channel driven)	120 W + 120 W
CENTER	
(1 kHz, 0.7 % T.H.D. at 6 Ω one channel driven)	100 W
(1 kHz, 10 % T.H.D. at 6 Ω one channel driven)	120 W

SURROUND	
(1 kHz, 0.7 % T.H.D. at 6 Ω one channel driven)	100 W + 100 W
(1 kHz, 10 % T.H.D. at 6 Ω one channel driven)	120 W + 120 W
SURROUND BACK (KRF-V7200D only)	
(1 kHz, 0.7 % T.H.D. at 6 Ω one channel driven)	100 W + 100 W
(1 kHz, 10 % T.H.D. at 6 Ω one channel driven)	120 W + 120 W

Total harmonic distortion

KRF-V7200D	0.02 % (1 kHz, 50 W, 6 Ω)
KRF-V6200D	0.05 % (1 kHz, 50 W, 6 Ω)

Frequency response (IHF'66)

KRF-V7200D : CD/DVD	..20 Hz – 80 kHz, +0 dB – -3.0 dB
KRF-V6200D : CD/DVD	..20 Hz – 70 kHz, +0 dB – -3.0 dB

Signal to noise ratio (IHF'66)

CD/DVD	100 dB
--------	--------

Input sensitivity / impedance

CD/DVD, AUX, MD/TAPE, VIDEO 1, VIDEO 2	550 mV / 40 kΩ
AV AUX	550 mV / 50 kΩ
DVD/6CH INPUT	550 mV / 27 kΩ

Output level / impedance

REC OUT (MD/TAPE, VIDEO 1)	550 mV / 470 Ω
PRE OUT (SURROUND BACK) (KRF-V6200D only)	0.9 V / 2.2 kΩ
PRE OUT (SUBWOOFER)	1.5 V / 1.5 kΩ

Tone control

BASS	±10 dB (at 100 Hz)
TREBLE	±10 dB (at 10 kHz)

### DIGITAL AUDIO section

Sampling frequency

.....	32 kHz, 44.1 kHz, 48 kHz, 96 kHz
-------	----------------------------------

Input level / wave length

Optical	-15 dBm – -21 dBm / 660 nm ±30 nm
---------	-----------------------------------

Input level / impedance

Coaxial	0.5 Vp-p / 75 Ω
---------	-----------------

### VIDEO section

VIDEO inputs / impedance

Composite	1 Vp-p / 75 Ω
-----------	---------------

VIDEO outputs / impedance

Composite	1 Vp-p / 75 Ω
-----------	---------------

S-VIDEO inputs / impedance

Y-signal	1 Vp-p / 75 Ω
C-signal	0.286 Vp-p / 75 Ω

S-VIDEO outputs / impedance

Y-signal	1 Vp-p / 75 Ω
C-signal	0.286 Vp-p / 75 Ω

COMPONENT VIDEO inputs/ impedance

Y-signal	1 Vp-p / 75 Ω
CB/ CR-signal	0.7 Vp-p / 75 Ω

COMPONENT VIDEO outputs/ impedance

Y-signal	1 Vp-p / 75 Ω
CB/ CR-signal	0.7 Vp-p / 75 Ω

### FM tuner section

Tuning frequency range

.....	87.5 MHz – 108.0 MHz
-------	----------------------

Usable sensitivity (DIN at 75 Ω)

MONO	1.3 μV / 13.2 dBf (40 kHz DEV., S/N 26 dB)
STEREO	45 μV / 42.1 dBf (46 kHz DEV., S/N 46 dB)

Total harmonic distortion (DIN at 1 kHz)

MONO	0.2% (71.2 dBf input)
STEREO	0.8% (71.2 dBf input)

Signal to noise ratio (DIN weighted at 1 kHz)

MONO	65 dB (40 kHz DEV., 71.2 dBf input)
STEREO	60 dB (46 kHz DEV., 71.2 dBf input)

Stereo separation (DIN 1 kHz)

.....	36 dB
-------	-------

Selectivity (DIN ±300 kHz)

.....	64 dB
-------	-------

Frequency response (30 Hz – 15 kHz)

.....	+0.5 dB, -3.0 dB
-------	------------------

### AM tuner section

Tuning frequency range

.....	531 kHz – 1,602 kHz
-------	---------------------

Usable sensitivity (30% mod., S/N 20 dB)

.....	16 μV / (600 μV/m)
-------	--------------------

Signal to noise ratio (30% mod.)

.....	50 dB (60 dBμV EMF input)
-------	---------------------------

### USB section

Usable USB device

.....	USB Mass Storage Class
-------	------------------------

Interface

.....	USB 1.1 (Full speed) compatible
-------	---------------------------------

Maximum current drain

.....	500 mA
-------	--------

### General

Power consumption

KRF-V7200D	240 W
KRF-V6200D	250 W

Standby power consumption

.....	less than 0.6 W
-------	-----------------

AC Outlet SWITCHED

Australia

.....	1 (total 90W max.)
-------	--------------------

Other countries

.....	2 (total 90W max.)
-------	--------------------

Dimensions

.....	W: 440 mm (17-5/16")
-------	----------------------

.....

.....	H: 159 mm (6-1/4")
-------	--------------------

.....

.....	D: 345 mm (13-9/16")
-------	----------------------

Weight (net)

KRF-V7200D	9.6 kg (21.2 lb)
KRF-V6200D	8.3 kg (18.3 lb)

### Notes:

1. Kenwood follows a policy of continuous advancements in development. For this reason specifications may be changed without notice.
2. The full performance may not be exhibited in an extremely cold location (under a water-freezing temperature).

