
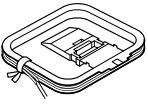

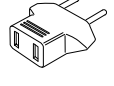
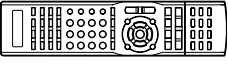





# KRF-V8090D/X9090D/VR-9560/9080

## ACCESSORIES / CAUTIONS

### ACCESSORIES

<p>FM indoor antenna (1) For VR- (T90-0905-05) For KRF- (T90-0855-05)</p> 	<p>AM loop antenna (1) (T90-0893-05)</p> 	<p>Microphone for SETUP (1) (Cord length: approx. 5m (16 feet)) (T29-0011-05)</p> 	<p>*AC plug adapter (1) (E03-0508-05)</p> 
<p>Remote control unit (1) (See the right table)</p> 	<p>Batteries (R03/AAA) (2)</p> 	<p>*Use to adapt the plug on the power cord to the shape of the wall outlet. (Accessory only for regions where use is necessary.)</p>	

### PCB vs MODEL

MODEL	ABB.	PREAMP	AUDIO	SUB	DISPLAY
KRF-V8090D	E1	X08-3392-72	X09-6962-72	X13-7962-72	X14-7902-72
KRF-V8090D-S	E2		X09-6962-72		X14-7900-72
KRF-V8090D-S	X2	X08-3390-71	X09-6960-72		X14-7902-73
KRF-X9090D	E3	X08-3392-73	X09-6962-72		X14-7902-91
KRF-X9090D	Y3	X08-3392-91	X09-6960-72		X14-7902-73
KRF-X9090D-S	E4	X08-3392-73	X09-6962-72	X13-7962-73	X14-7900-73
KRF-X9090D-S	X4	X08-3390-13	X09-6960-72		X14-7902-91
KRF-X9090D-S	Y4	X08-3392-91		X13-7960-13	X14-7900-13
VR-9080	K5,P5	X08-3390-13	X09-6960-11	X13-7960-14	X14-7980-10
VR-9080-S	K6,P6				
VR-9560	K7,P7				
VR-9560-S	K8,P8				

### REMOTE CONTROL vs MODEL

MODEL	DESTINATION	PARTS #	CONTROLL #
KRF-V8090D	E	A70-1672-05	RC-R0829E
KRF-V8090D-S	E	A70-1672-05	RC-R0829E
KRF-V8090D-S	X	A70-1672-05	RC-R0829E
KRF-X9090D	E	A70-1676-05	RC-R0918E
KRF-X9090D	Y	A70-1675-05	RC-R0918
KRF-X9090D-S	E	A70-1676-05	RC-R0918E
KRF-X9090D-S	X	A70-1676-05	RC-R0918E
KRF-X9090D-S	Y	A70-1675-05	RC-R0918
VR-9080	K,P	A70-1675-05	RC-R0918
VR-9080-S	K,P	A70-1675-05	RC-R0918
VR-9560	K,P	A70-1671-05	RC-R0829
VR-9560-S	K,P	A70-1671-05	RC-R0829



6CH INPUT

### CAUTIONS

#### Resetting the Microcomputer

The microcomputer may malfunction (unit cannot be operated, or shows an erroneous display) if the power cord is unplugged while the power is ON, or due to some other external factor. If this happens, execute the following procedure to reset the microcomputer and return the unit to its normal operating condition.

- Please note that resetting the microcomputer will clear the contents of the memory and returns the unit to the state it was in when it left the factory.

#### For the U.S.A. and Canada

Unplug the power cord from the wall outlet, then plug it back in while holding down the **⏻** (POWER ON/STANDBY) key.

#### For other countries

With the power cord plugged in, turn the POWER ON/OFF key OFF. Then, while holding down the **⏻** (POWER ON/STANDBY) key, press POWER ON/OFF key.

#### Memory back up function

Please note that the following items will be deleted from the unit's memory if the power cord is disconnected from the AC outlet for approximately 1 day.

- Power mode
- Input selector settings
- Speaker ON/OFF
- Volume level
- BASS, TREBLE, INPUT level
- TONE ON/OFF
- LOUDNESS ON/OFF
- Dimmer level
- Listen mode setting
- Speaker settings
- Input mode setting
- Sound mode settings
- Broadcast band
- Frequency setting
- Preset stations
- Tuning mode
- ACTIVE EQ mode
- GAME mode setting

# KRF-V8090D/X9090D/VR-9560/9080

## ADJUSTMENT

No.	ITEM	INPUT SETTINGS	OUTPUT SETTINGS	RECEIVER SETTINGS	ALIGNMENT SETTINGS	ALIGNMENT POINTS	FIG.
AUDIO SECTION		SPEAKER : A					
<1>	IDLE CURRENT *	-	CN11, FL ch. CN10, FR ch. CN14, SL ch. CN13, SR ch. CN12, C ch. CN15, SBL ch. X09(A/4)  CN706, SBR ch. X13(F/6)	(FRONT 2ch MODE) Volume: Minimum	VR1(FL) VR2(FR) VR3(SL) VR4(SR) VR5(CENTER) VR6(SBL) X09(A/4)  VR702(SBR) X13(F/6)	Adjust every potentiometer 10 minutes later after turned the power on.	

\* Idling Current Adjustment

All power amplifier stage need idling current adjustment after the installation of TRAIT transistor.

1. Connect a voltmeter to CNs with the correct polarity as indicated by the PCB silk print.
2. Adjust the preset, VRs to get 8.8mV (Idling current = 20mA) at the voltmeter reading.
3. Repeat step few times for all channels.

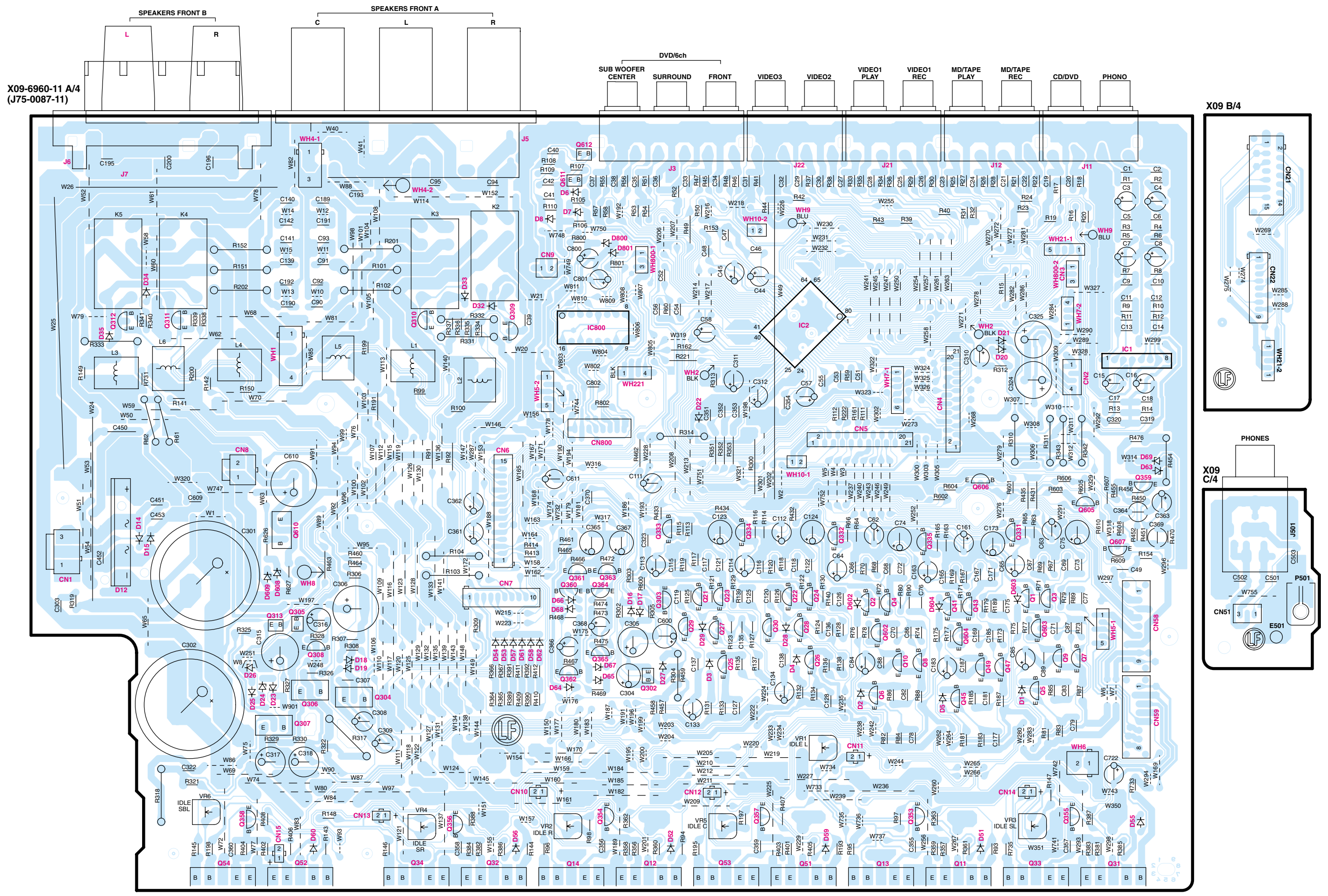








# PC BOARD



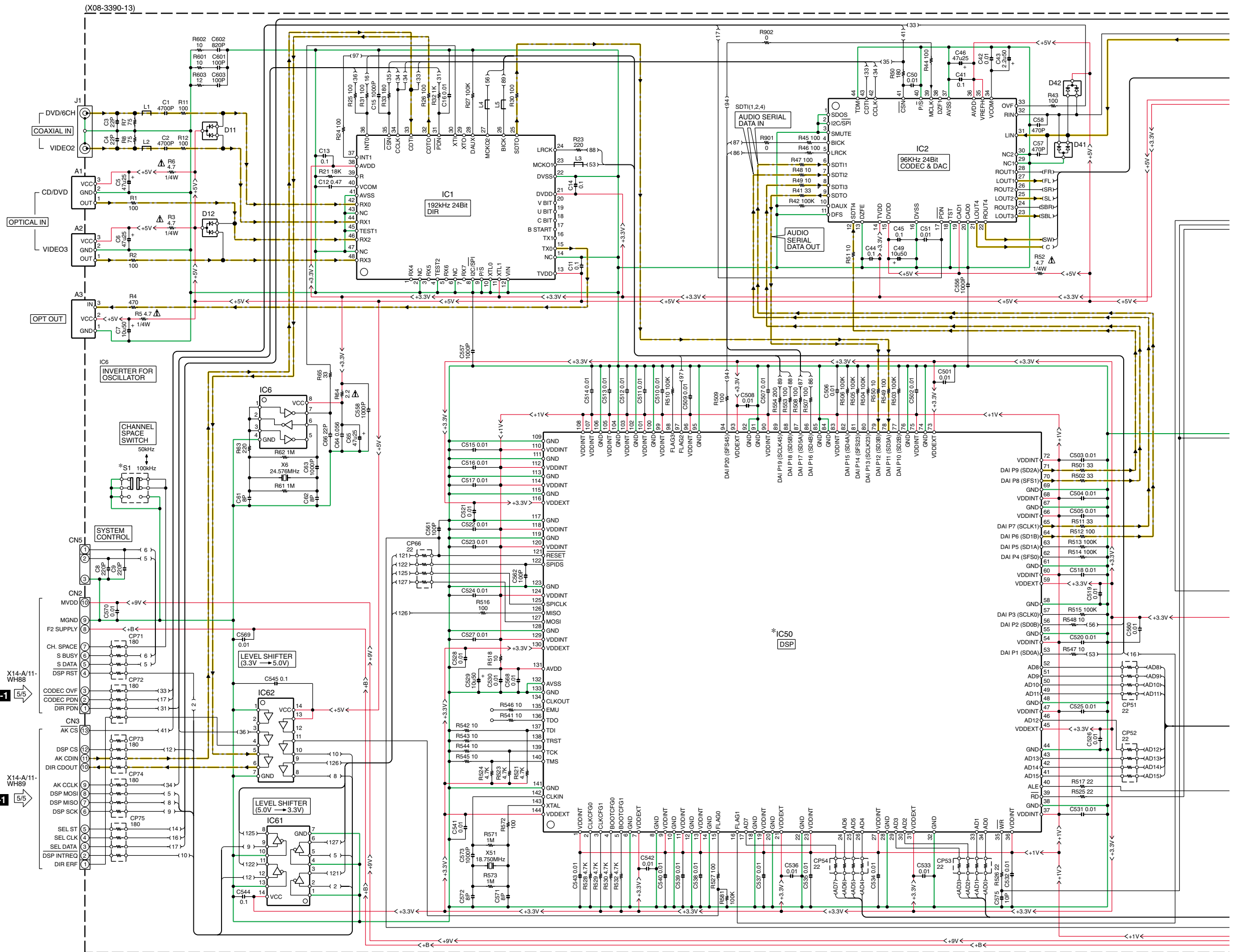
Refer to the schematic diagram for the value of resistors and capacitors.



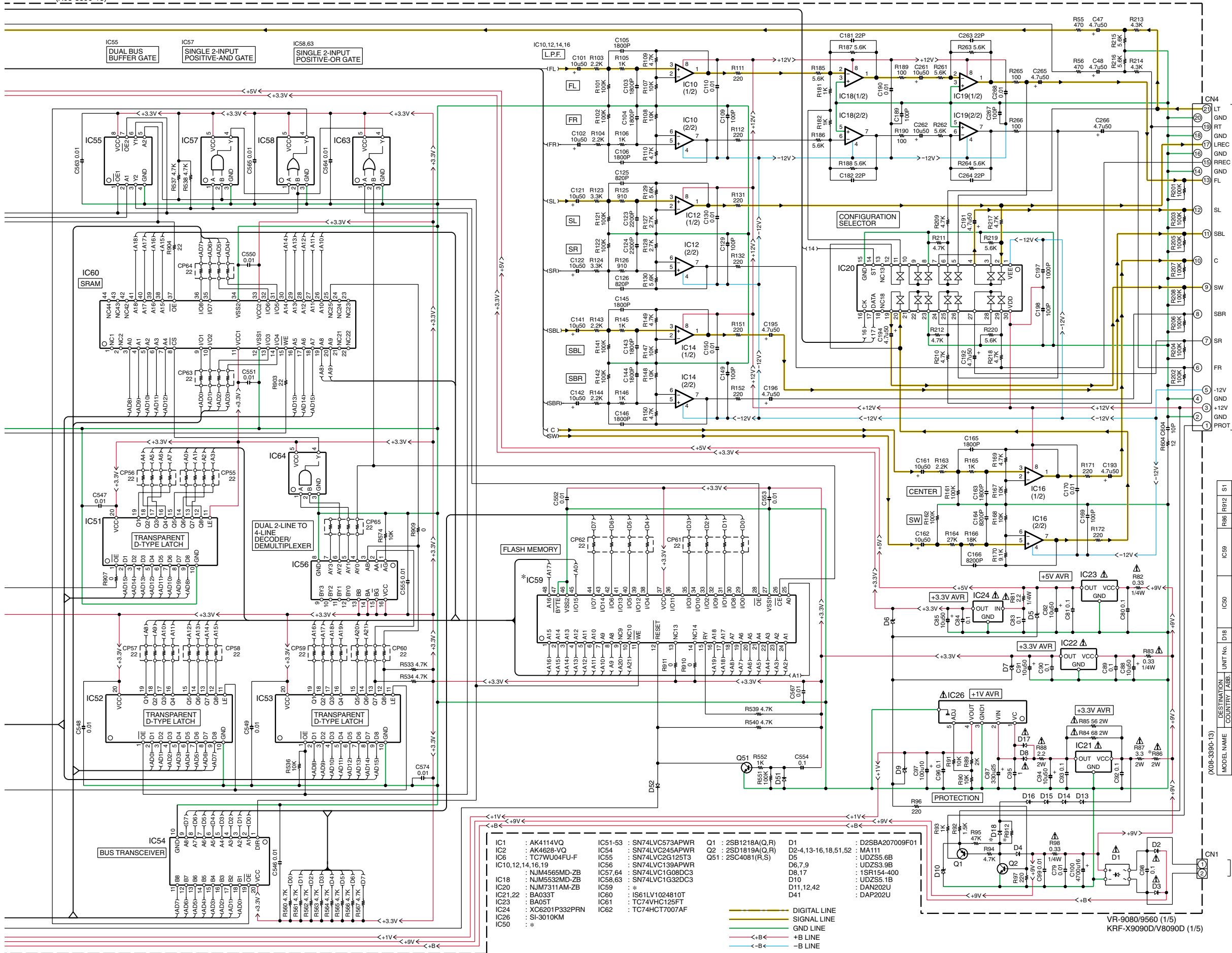




# KRF-V8090D/X9090D/VR-9560/9080



(X08-3390-13)



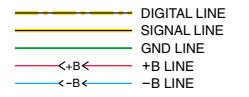
**CAUTION:** For continued safety, replace safety critical components only with manufacturer's recommended parts (refer to parts list).  $\Delta$  indicates safety critical components. For continued protection against risk of fire, replace only with same type and rating fuse(s). To reduce the risk of electric shock, leakage-current or resistance measurements shall be carried out (exposed parts are acceptably insulated from the supply circuit) before the appliance is returned to the customer.

The DC voltage is an actual reading measured with a high impedance type voltmeter with no signal input. The measurement value may vary depending on the measuring instruments used or on the product.

X09-A4-CN4  
W-6

MODEL NAME	DESTINATION	COUNTRY	UNIT No.	D18	IC50	IC59	R86	R912	S1
KRF-V8090D	EUROPE	E1	2-72	NO	ADSS1-AVR-1105	LHF16J12-1BEA	3.3	YES	NO
KRF-V8090D-S	EUROPE	E2	2-72	NO	ADSS1-AVR-1105	LHF16J12-1BEA	3.3	YES	NO
KRF-V8090D	AUSTRALIA	X2	2-71	NO	ADSS1-AVR-1105	LHF16J12-1BEA	3.3	YES	NO
KRF-V8090D	EUROPE	E3	2-73	NO	ADSS1-AVR-1100	LHF16J12-1BEA	3.3	YES	NO
KRF-V8090D-S	EUROPE	E4	2-73	NO	ADSS1-AVR-1100	LHF16J12-1BEA	3.3	YES	NO
KRF-V8090D-S	AUSTRALIA	X4	0-13	NO	ADSS1-AVR-1100	LHF16J12-1BEA	2.2	YES	NO
KRF-V8090D-S	PX	Y4	2-91	YES	ADSS1-AVR-1100	LHF16J12-1BEA	3.3	NO	YES
VR-9080	CANADA	P5	0-13	NO	ADSS1-AVR-1100	LHF16J12-1BEA	2.2	YES	NO
VR-9080-S	U.S.A.	K6	0-13	NO	ADSS1-AVR-1100	LHF16J12-1BEA	2.2	YES	NO
VR-9560	CANADA	P6	0-14	NO	ADSS1-AVR-1105	LHF16J12-1BEA	2.2	YES	NO
VR-9560-S	U.S.A.	K7	0-14	NO	ADSS1-AVR-1105	LHF16J12-1BEA	2.2	YES	NO
VR-9560-S	CANADA	P8							

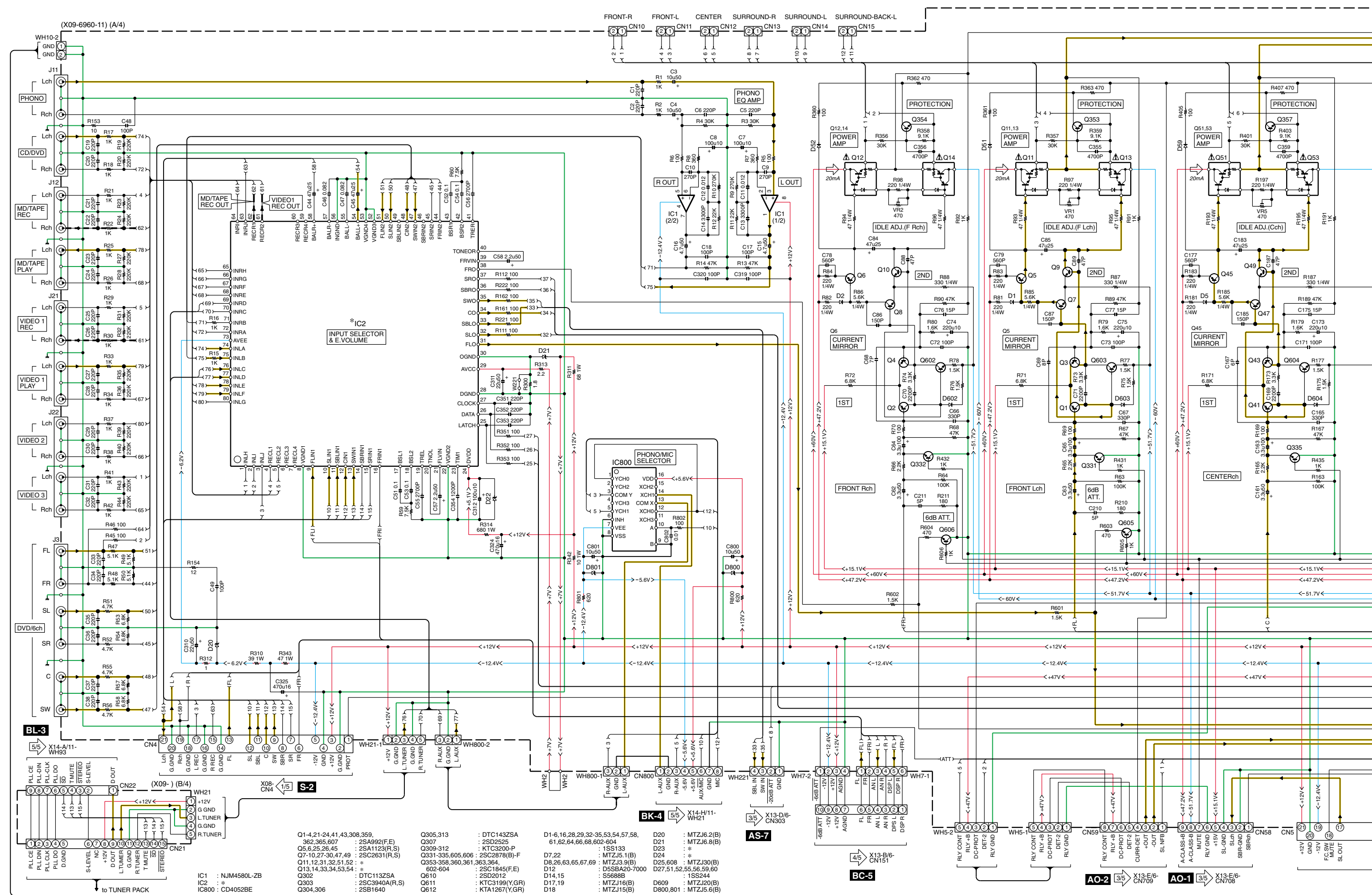
- IC1 : AK4114VQ
- IC2 : AK4628-VQ
- IC6 : TC7WU04FU-F
- IC10,12,14,16,19
- IC18 : NJM4565MD-ZB
- IC21,22 : NJM7311AM-ZB
- IC23 : BA033T
- IC24 : BA05T
- IC26 : XC6201P332PRN
- IC50
- IC51-53 : SN74LVC573APWR
- IC54 : SN74LVC245APWR
- IC55 : SN74LVC2G125T3
- IC56 : SN74LVC139APWR
- IC57,64 : SN74LVC1G08DC3
- IC58,63 : SN74LVC1G32DC3
- IC59 : \*
- IC60 : IS61LV1024810T
- IC61 : TC74VHC125FT
- IC62 : TC74HCT7007AF
- Q1 : 2SB1218A(Q,R)
- Q2 : 2SD1819A(Q,R)
- Q51 : 2SC4081(R,S)
- D1 : D2SBA207009F01
- D2-4,13-16,18,51,52 : MA111
- D5 : UDZ55.6B
- D6,7,9 : UDZ53.9B
- D8,17 : 1SR154-400
- D10 : UDZ55.15
- D11,12,42 : DAN202U
- D41 : DAP202U



to POWER TRANSFORMER  
BY-3  
BZ-3



# KRF-V8090D/X9090D/VR-9560/9080



- |   |                 |                              |                 |   |                             |                |
|---|-----------------|------------------------------|-----------------|---|-----------------------------|----------------|
| Q1-4, 21, 24, 41, 43, 308, 359, 362, 365, 607 | : 2SA992(F,E)   | Q305, 313                    | : DTC143ZA      | D1-6, 16, 28, 29, 32, 35, 53, 54, 57, 58, 61, 62, 64, 66, 68, 602-604 | D20                         | : MTZJ6.2(B)   |
| Q5, 6, 25, 26, 45                             | : 2SA1123(R,S)  | Q307                         | : 2SD2525       | D7, 22  | D21                         | : MTZJ6.8(B)   |
| Q7-10, 27, 30, 47, 49                         | : 2SC2631(R,S)  | Q309-312                     | : KTC3200-P     | D8, 26, 63, 65, 67, 69  | D22                         | : *            |
| Q11, 12, 31, 32, 51, 52                       | : *             | Q31-535, 605, 606            | : 2SC2878(B)-F  | D9, 26, 63, 65, 67, 69  | D23                         | : *            |
| Q13, 14, 33, 34, 53, 54                       | : *             | Q353-358, 360, 361, 363, 364 | : 2SC2631(R,S)  | D10, 15   | D24                         | : *            |
| Q15, 16, 35, 54, 55                           | : *             | Q602-604                     | : 2SC1845(F,E)  | D11   | D25, 608                    | : MTZJ30(B)    |
| Q302  | : DTC113ZA      | Q610                         | : 2SD2012       | D12   | D27, 51, 52, 55, 56, 59, 60 | : DSSBA20-7000 |
| Q303  | : 2SC3940A(R,S) | Q611                         | : 1SS244        | D14, 15   | D14, 15                     | : 1SS244       |
| Q304, 306                                     | : 2SB1640       | Q612                         | : KTA1267(Y,GR) | D17, 19   | D609                        | : MTZJ20(B)    |
|   |                 | Q612                         | : KTA1267(Y,GR) | D18   | D800, 801                   | : MTZJ5.6(B)   |



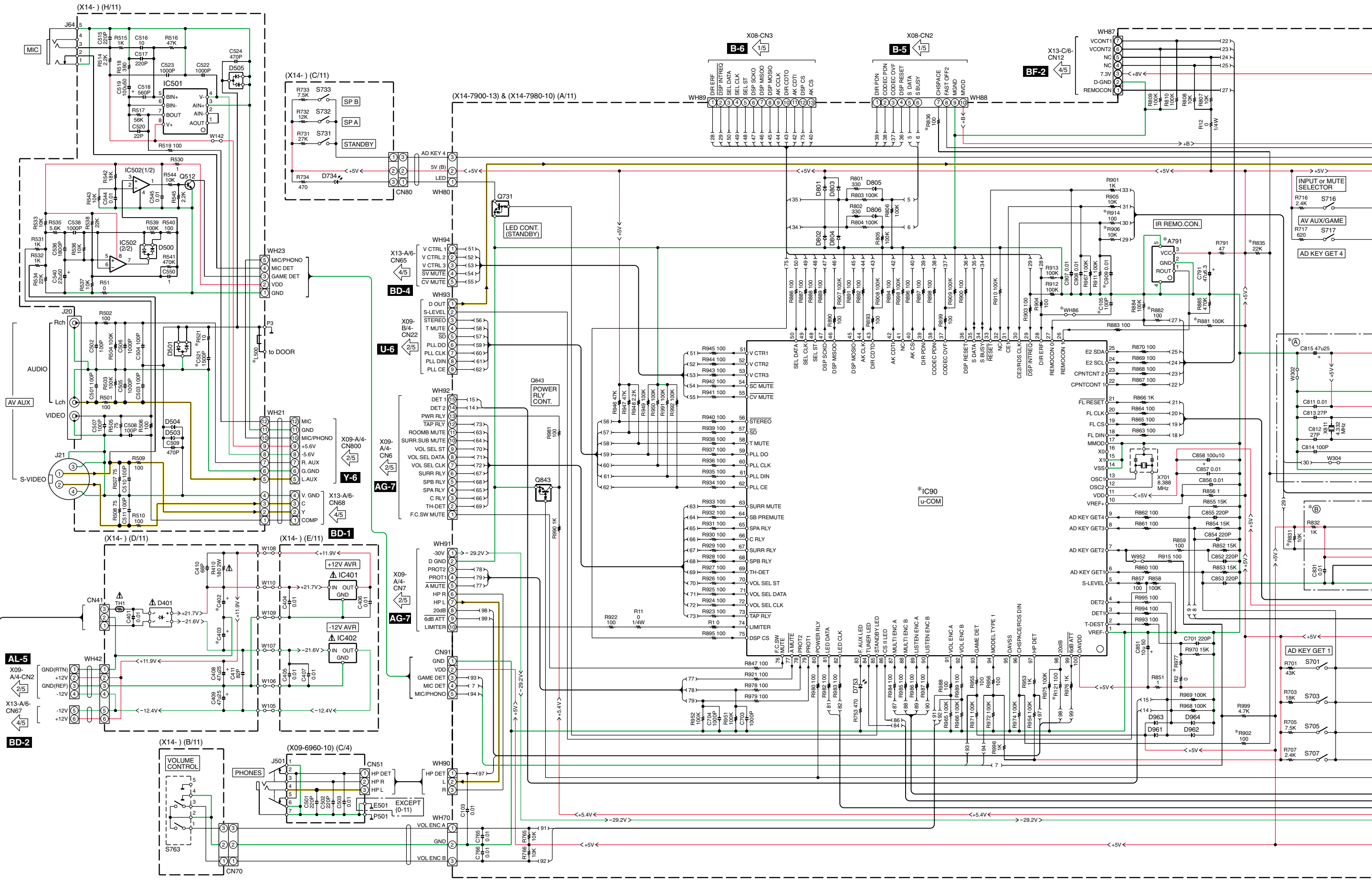






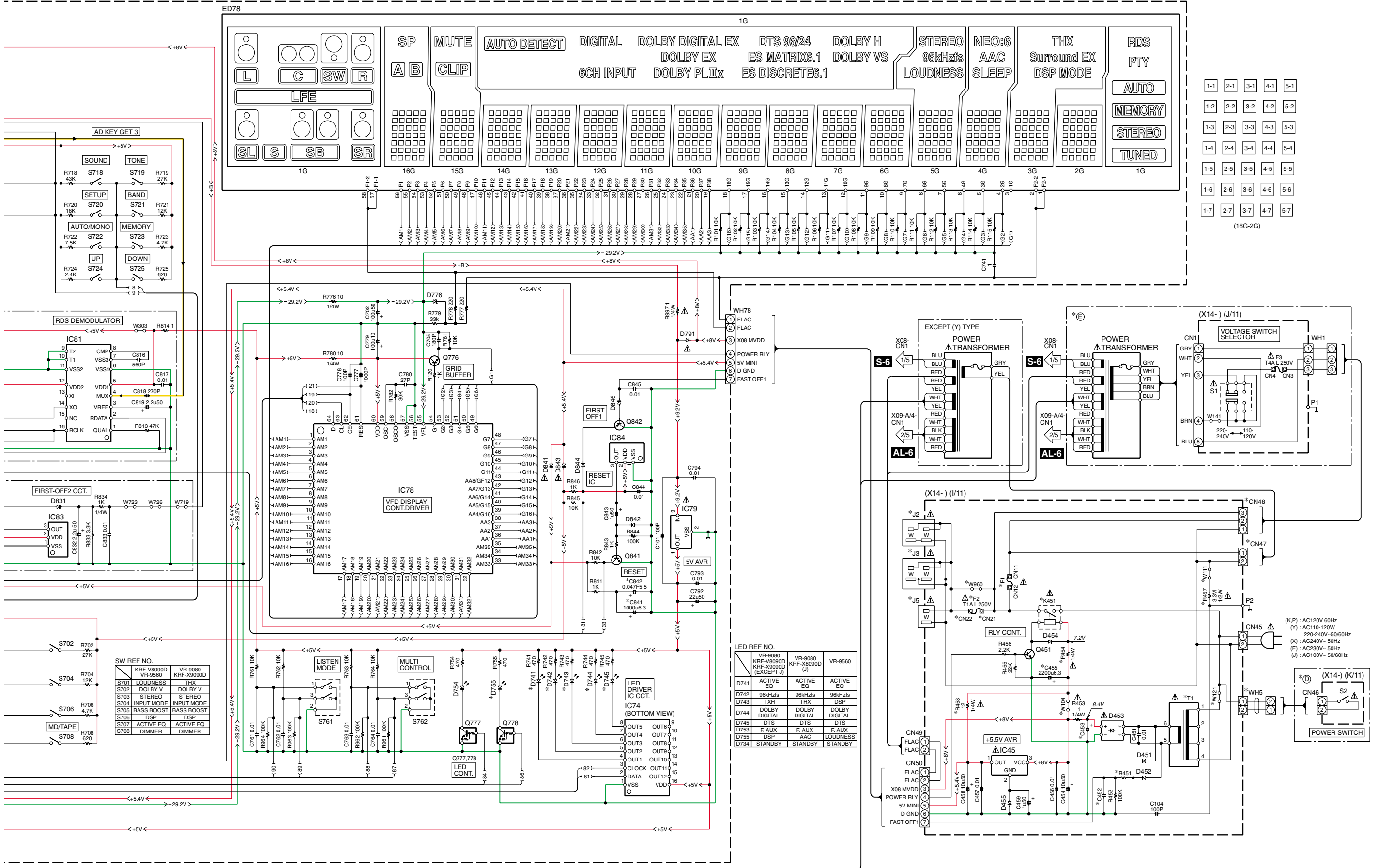


# KRF-V8090D/X9090D/VR-9560/9080





(X14-7900-13) & (X14-7980-10) (A/11)



1-1	2-1	3-1	4-1	5-1
1-2	2-2	3-2	4-2	5-2
1-3	2-3	3-3	4-3	5-3
1-4	2-4	3-4	4-4	5-4
1-5	2-5	3-5	4-5	5-5
1-6	2-6	3-6	4-6	5-6
1-7	2-7	3-7	4-7	5-7

(16G-2G)

LED REF. NO.

	VR-9080 KRF-V8090D KRF-X9090D (EXCEPT J)	VR-9080 KRF-X9090D (J)	VR-9560
D741	ACTIVE EQ	ACTIVE EQ	ACTIVE EQ
D742	96kHzs	96kHzs	96kHzs
D743	TXH	TXH	DSP
D744	DOLBY DIGITAL	DOLBY DIGITAL	DOLBY DIGITAL
D745	DTS	DTS	DTS
D753	F. AUX	F. AUX	F. AUX
D755	DSP	AAC	LOUDNESS
D734	STANDBY	STANDBY	STANDBY

(K.P) : AC120V 60Hz  
(Y) : AC110-120V  
220-240V-50/60Hz  
(X) : AC240V-50Hz  
(E) : AC230V-50Hz  
(I) : AC100V-50/60Hz

# KRF-V8090D/X9090D/VR-9560/9080

**CAUTION:** For continued safety, replace safety critical components only with manufacturer's recommended parts (refer to parts list).  $\Delta$  indicates safety critical components. For continued protection against risk of fire, replace only with same type and rating fuse(s). To reduce the risk of electric shock, leakage-current or resistance measurements shall be carried out (exposed parts are acceptably insulated from the supply circuit) before the appliance is returned to the customer.

The DC voltage is an actual reading measured with a high impedance type voltmeter with no signal input. The measurement value may vary depending on the measuring instruments used or on the product.

## ANODE CONNECTION

	1G	2G	3G	4G	5G	6-14G	15G	16G
P1	L	1-1	1-1	1-1	1-1	1-1	1-1	1-1
P2	C	2-1	2-1	2-1	2-1	2-1	2-1	2-1
P3	R	3-1	3-1	3-1	3-1	3-1	3-1	3-1
P4	SR	4-1	4-1	4-1	4-1	4-1	4-1	4-1
P5	SB	5-1	5-1	5-1	5-1	5-1	5-1	5-1
P6	SL	1-2	1-2	1-2	1-2	1-2	1-2	1-2
P7	S	2-2	2-2	2-2	2-2	2-2	2-2	2-2
P8	SW	3-2	3-2	3-2	3-2	3-2	3-2	3-2
P9	LFE	4-2	4-2	4-2	4-2	4-2	4-2	4-2
P10	(L)	5-2	5-2	5-2	5-2	5-2	5-2	5-2
P11	(C)	1-3	1-3	1-3	1-3	1-3	1-3	1-3
P12	(R)	2-3	2-3	2-3	2-3	2-3	2-3	2-3
P13	(SR)	3-3	3-3	3-3	3-3	3-3	3-3	3-3
P14	(SBR)	4-3	4-3	4-3	4-3	4-3	4-3	4-3
P15	(SBL)	5-3	5-3	5-3	5-3	5-3	5-3	5-3
P16	(SL)	1-4	1-4	1-4	1-4	1-4	1-4	1-4
P17	(SW)	2-4	2-4	2-4	2-4	2-4	2-4	2-4
P18	AUTO DETECT	3-4	3-4	3-4	3-4	3-4	3-4	3-4
P19	DIGITAL	4-4	4-4	4-4	4-4	4-4	4-4	4-4
P20	6CH INPUT	5-4	5-4	5-4	5-4	5-4	5-4	5-4
P21	DOLBY DIGITAL	1-5	1-5	1-5	1-5	1-5	1-5	1-5
P22	(DOLBY DIGITAL) EX	2-5	2-5	2-5	2-5	2-5	2-5	2-5
P23	DOLBY EX	3-5	3-5	3-5	3-5	3-5	3-5	3-5
P24	DOLBY PL	4-5	4-5	4-5	4-5	4-5	4-5	4-5
P25	II	5-5	5-5	5-5	5-5	5-5	5-5	5-5
P26	X	1-6	1-6	1-6	1-6	1-6	1-6	1-6
P27	DTS	2-6	2-6	2-6	2-6	2-6	2-6	2-6
P28	96/24	3-6	3-6	3-6	3-6	3-6	3-6	3-6
P29	ES MATRIX6.1	4-6	4-6	4-6	4-6	4-6	4-6	4-6
P30	ES DISCRETE6.1	5-6	5-6	5-6	5-6	5-6	5-6	5-6
P31	DOLBY H	1-7	1-7	1-7	1-7	1-7	1-7	1-7
P32	DOLBY VS	2-7	2-7	2-7	2-7	2-7	2-7	2-7
P33	RDS	3-7	3-7	3-7	3-7	3-7	3-7	3-7
P34	PTY	4-7	4-7	4-7	4-7	4-7	4-7	4-7
P35	AUTO	5-7	5-7	5-7	5-7	5-7	5-7	5-7
P36	MEMORY	—	THX	NEO:6	STEREO	—	MUTE	SP
P37	STEREO	—	Surround EX	AAC	96kHzfs	—	CLIP	A
P38	TUNED	—	DSP MODE	SLEEP	LOUDNESS	—	—	B

IC45 : BA05T  
 IC74 : BU2090  
 IC78 : LC75711NED-E  
 IC79 : XC6202P502PR  
 IC81 : BU1924F  
 IC83 : S-80840CNY-GZ  
 IC84 : S-80840CNY-GZ  
 IC90 : \*  
 IC401 : KIA7812API-UP  
 IC402 : KIA7912API-UP  
 IC501.502 : BA4560F

Q451,776,841 : 2SC1740S(Q,R)  
 Q512 : 2SC4081(R,S)  
 Q731,843 : DTC113ZSA  
 Q777,778 : DTC124ESA  
 Q842 : 2SA933AS(Q,R)

D401 : D2SBA207009F01  
 D451,452,454,501-504, 791,801-806,831,842,844, 846,961-964 : 1SS133  
 D453 : S12B20(7101)  
 D455,841,843 : RB721Q  
 D500,505 : 1SS302  
 D734,753 : B30-2545-05  
 D741-745,755 : \*  
 D754 : B30-2651-05  
 D776 : MTZJ5.1(B)

TH1 : MF-R090-99

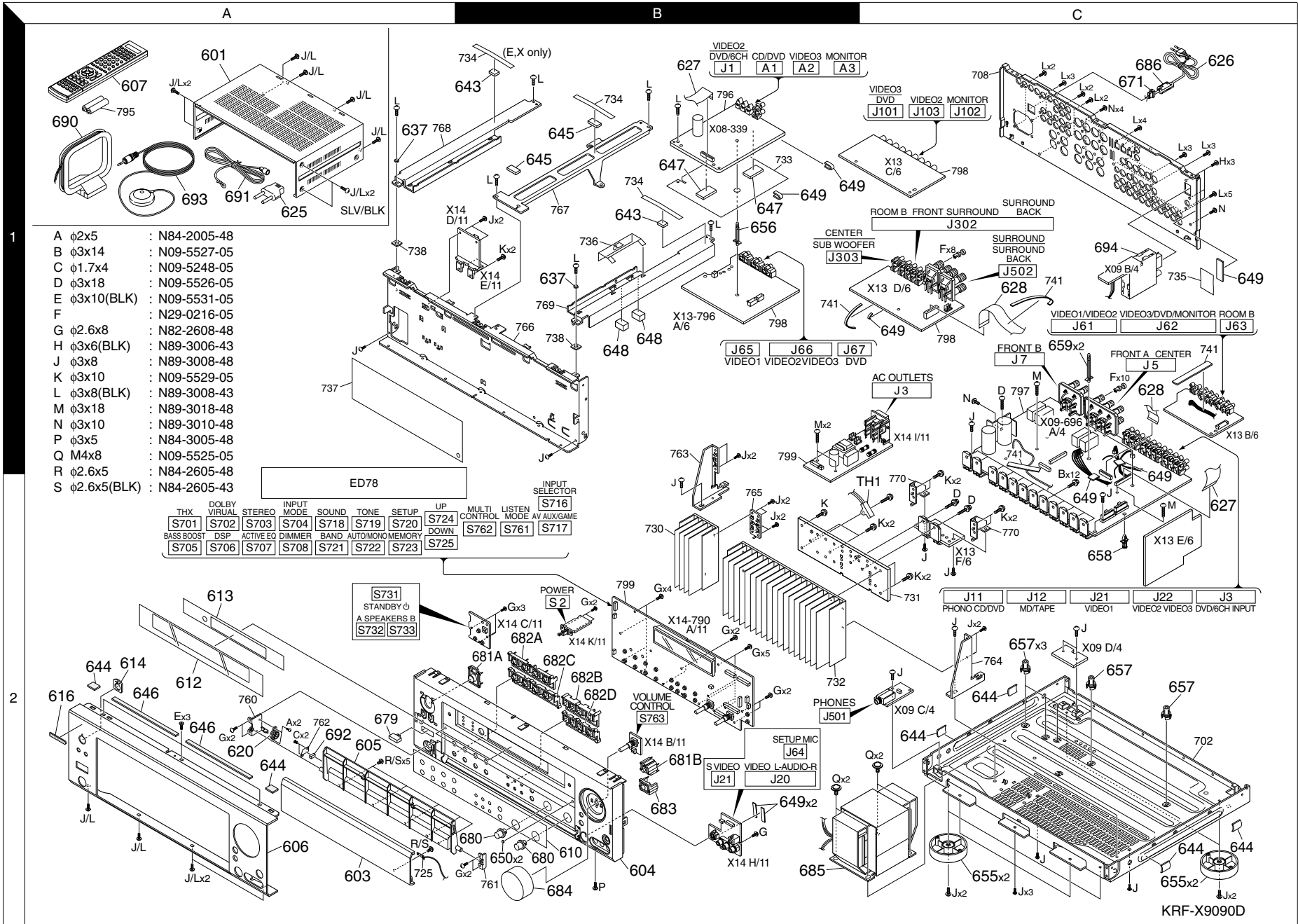
— — — — — RECORDING LINE  
 — — — — — SIGNAL LINE  
 — — — — — GND LINE  
 — — — — — +B LINE  
 — — — — — -B LINE

## (X14-7900-13)

MODEL NAME	DESTINATION COUNTRY	ABB.	UNIT No.	A	B	C	A791	C105	C402	C403	C452	C453	C455,909	C521,841	C842	CN21,22	CN47	CN48	D741-745,755	F1	F2
KRF-V8090D	EUROPE	E1	X14-7902-72	YES	NO	YES	YES	YES	2200u25	1000u25	0.039	3300u25	NO	NO	YES	YES	YES	NO	B30-2651-05	F05-4025-05	F06-1022-05
KRF-V8090D-S	EUROPE	E2	X14-7902-72	YES	NO	YES	YES	YES	2200u25	1000u25	0.039	3300u25	NO	NO	YES	YES	YES	NO	B30-2651-05	F05-4025-05	F06-1022-05
	AUSTRALIA	X2	X14-7900-72	YES	NO	YES	YES	NO	2200u25	1000u25	0.047	3300u25	NO	NO	YES	YES	YES	NO	B30-2545-05	F05-4025-05	F06-1022-05
	EUROPE	E3	X14-7902-73	YES	NO	YES	YES	YES	2200u25	1000u25	0.039	3300u25	NO	NO	YES	YES	YES	NO	B30-2651-05	F05-4025-05	F06-1022-05
KRF-X9090D	PX	Y3	X14-7902-91	NO	YES	YES	YES	NO	2200u35	1000u35	0.068	3300u25	YES	NO	YES	YES	NO	YES	B30-2545-05	F05-4025-05	F06-1022-05
	EUROPE	E4	X14-7902-73	YES	NO	YES	YES	YES	2200u25	1000u25	0.039	3300u25	NO	NO	YES	YES	YES	NO	B30-2651-05	F05-4025-05	F06-1022-05
KRF-X9090D-S	AUSTRALIA	X4	X14-7900-73	YES	NO	YES	YES	NO	2200u25	1000u25	0.047	3300u25	NO	NO	YES	YES	YES	NO	B30-2545-05	F05-4025-05	F06-1022-05
	PX	Y4	X14-7902-91	NO	YES	YES	YES	NO	2200u25	1000u25	0.068	3300u25	YES	NO	YES	YES	NO	YES	B30-2545-05	F05-4025-05	F06-1022-05
VR-9080	U.S.A.	K5																			
	CANADA	P5	X14-7900-13	NO	NO	NO	NO	NO	2200u25	1000u25	0.1	3300u16	NO	YES	NO	NO	YES	NO	B30-2545-05	F50-0078-05	F50-0220-05
VR-9080-S	U.S.A.	K6																			
	CANADA	P6																			
VR-9560	U.S.A.	K7																			
	CANADA	P7	X14-7980-10	NO	NO	NO	NO	NO	2200u25	1000u25	0.1	3300u16	NO	YES	NO	YES	YES	NO	B30-2545-05	F50-0078-05	F50-0220-05
VR-9560-S	U.S.A.	K8																			
	CANADA	P8																			

UNIT No.	IC90	J2	J3	J5	K451	L500	R121	R451	R454	R457,521	R458,831,835,836,906	R881,882	R902	R914	R977	T1	W104	W111,121	W960	WH5	WH86	
E1	X14-7902-72	MN101C49HYH	NO	YES	NO	S76-0110-05	NO	NO	150K	27	NO	NO	NO	YES	YES	27K	L07-2761-05	YES	NO	NO	YES	YES
E2	X14-7902-72	MN101C49HYH	NO	YES	NO	S76-0110-05	NO	NO	150K	27	NO	NO	NO	YES	YES	27K	L07-2761-05	YES	NO	NO	YES	YES
X2	X14-7900-72	MN101C49HYH	NO	NO	YES	S76-0110-05	NO	NO	150K	27	NO	NO	NO	YES	YES	27K	L07-2758-05	YES	NO	NO	YES	NO
E3	X14-7902-73	MN101C49HYF	NO	YES	NO	S76-0110-05	NO	YES	150K	27	NO	NO	NO	YES	YES	27K	L07-2761-05	YES	NO	NO	YES	NO
Y3	X14-7902-91	MN101C49HYF	YES	NO	NO	S76-0110-05	NO	YES	18K	15	NO	YES	NO	YES	NO	12K	L07-2805-05	YES	NO	NO	YES	NO
X4	X14-7902-73	MN101C49HYF	NO	YES	NO	S76-0110-05	NO	YES	150K	27	NO	NO	NO	YES	YES	27K	L07-2761-05	NO	NO	NO	YES	YES
X4	X14-7900-73	MN101C49HYF	NO	NO	YES	S76-0110-05	NO	YES	150K	27	NO	NO	NO	YES	YES	27K	L07-2758-05	YES	NO	NO	YES	NO
Y4	X14-7902-91	MN101C49HYF	YES	NO	NO	S76-0110-05	NO	YES	18K	15	NO	YES	NO	YES	NO	12K	L07-2805-05	NO	NO	NO	YES	NO
K5																						
P5	X14-7900-13	MN101C49HYF	YES	NO	NO	S76-0107-05	YES	YES	39K	27	YES	NO	YES	NO	NO	NO	L07-2809-05	YES	YES	YES	NO	NO
K6																						
P6																						
K7																						
P7	X14-7980-10	MN101C49HYF	YES	NO	NO	S76-0107-05	YES	NO	39K	27	YES	NO	NO	NO	NO	NO	L07-2809-05	YES	YES	YES	NO	NO
K8																						
P8																						

VR-9080/9560 (5/5)  
 KRF-X9090D/V8090D (5/5)



KRF-X9090D

\* New Parts

Parts without **Parts No.** are not supplied.

Les articles non mentionnés dans le **Parts No.** ne sont pas fournis.

Teile ohne **Parts No.** werden nicht geliefert.



Ref. No	Add-ress	New Parts	Parts No.	Description	Desti-nation	Re-marks
<b>VR-9080/9560</b>						
601	1A		A01-3950-01	METALLIC CABINET	K5P5K7	
601	1A		A01-3950-01	METALLIC CABINET	P7	
601	1A		A01-3951-01	METALLIC CABINET	K6P6K8	
601	1A		A01-3951-01	METALLIC CABINET	P8	
603	2A		A21-5486-02	DRESSING PANEL	K7P7	
603	2A		A21-5487-02	DRESSING PANEL	K8P8	
603	2A	*	A21-5500-02	DRESSING PANEL	K5P5	
603	2A	*	A21-5501-02	DRESSING PANEL	K6P6	
604	2B		A22-1906-11	SUB PANEL	K5P5K7	
604	2B		A22-1906-11	SUB PANEL	P7	
604	2B		A22-1907-11	SUB PANEL	K6P6K8	
604	2B		A22-1907-11	SUB PANEL	P8	
605	2A		A52-1021-01	DOOR	K5P5K7	
605	2A		A52-1021-01	DOOR	P7	
605	2A		A52-1022-01	DOOR	K6P6K8	
605	2A		A52-1022-01	DOOR	P8	
606	2A	*	A60-2432-01	PANEL	K5P5	
606	2A	*	A60-2433-01	PANEL	K6P6	
606	2A	*	A60-2455-01	PANEL	K7P7	
606	2A	*	A60-2456-01	PANEL	K8P8	
607	1A		A70-1671-05	REMOTE CONTROLLER ASSY	K7K8P7	
607	1A		A70-1671-05	REMOTE CONTROLLER ASSY	P8	
607	1A		A70-1675-05	REMOTE CONTROLLER ASSY	K5K6P5	
607	1A		A70-1675-05	REMOTE CONTROLLER ASSY	P6	
-		*	B60-5557-00	INSTRUCTION MANUAL, EN	K5K6P5	
-		*	B60-5557-00	INSTRUCTION MANUAL, EN	P6	
-		*	B60-5558-00	INSTRUCTION MANUAL, FR	P5P6	
-		*	B60-5603-00	INSTRUCTION MANUAL, EN	K7K8P7	
-		*	B60-5603-00	INSTRUCTION MANUAL, EN	P8	
-		*	B60-5604-00	INSTRUCTION MANUAL, FR	P7P8	
610	2B	*	B03-3951-02	DRESSING PLATE	K5P5	
610	2B	*	B03-3952-02	DRESSING PLATE	K6P6	
610	2B	*	B03-3955-02	DRESSING PLATE	K7P7	
610	2B	*	B03-3956-02	DRESSING PLATE	K8P8	
612	2A		B10-5563-02	FRONT GLASS		
613	2A		B11-1612-13	COLOR FILTER	K5K6P5	
613	2A		B11-1612-13	COLOR FILTER	P6	
613	2A		B11-1616-13	COLOR FILTER	K7K8P7	
613	2A		B11-1616-13	COLOR FILTER	P8	
614	2A		B12-0490-14	INDICATOR ASSY	K5P5K7	
614	2A		B12-0490-14	INDICATOR ASSY	P7	
614	2A		B12-0492-14	INDICATOR ASSY	K6P6K8	
614	2A		B12-0492-14	INDICATOR ASSY	P8	
616	2A		B43-0336-04	INDICATOR ASSY BADGE		
620	2A		D39-0321-05	DAMPER		
△ 626	1C		E30-7329-05	AC POWER CORD		
627	1B,2C		E35-3216-05	FLAT CABLE		
628	1C		E35-3746-05	FLAT CABLE		
637	1A,1B		F29-0134-04	INSULATING WASHER		
643	1B		G11-2416-04	CUSHION		
644	2A,2C		G11-2885-04	CUSHION		

L : Scandinavia    K : USA    P : Canada    R : Mexico    C : China    I : Malaysia  
 Y : PX(Far East,Hawaii)    T : England    E : Europe    G : Germany    V : China(Shanghai)  
 Y : AAFES(Europe)    X : Australia    Q : Russia    H : Korea    M : Other Areas    △ indicates safety critical components.

\* New Parts

Parts without **Parts No.** are not supplied.

Les articles non mentionnés dans le **Parts No.** ne sont pas fournis.

Teile ohne **Parts No.** werden nicht geliefert.



Ref. No	Add-ress	New Parts	Parts No.	Description	Desti-nation	Re-marks
645	1B		G11-2886-04	CUSHION		
646	2A		G11-2887-04	CUSHION		
647	1B		G11-2916-04	CUSHION		
648	1B		G11-2958-04	CUSHION		
649	1B,1C		G11-2959-04	CUSHION		
650	2B		G11-2968-04	CUSHION		K5P5K7
650	2B		G11-2968-04	CUSHION		P7
650	2B		G11-2969-04	CUSHION		K6P6K8
650	2B		G11-2969-04	CUSHION		P8
-			J61-0307-05	WIRE BAND		
655	2C		J02-1467-03	FOOT (D=60,H=21.5)		
656	1B		J19-5915-05	UNIT HOLDER		
657	2C		J19-6002-04	UNIT HOLDER		
658	2C		J19-6069-05	UNIT HOLDER		
659	1C		J19-6312-05	UNIT HOLDER		
△ 671	1C		J42-0083-05	POWER CORD BUSHING		
680	2B		K29-8432-04	KNOB		K5P5K7
680	2B		K29-8432-04	KNOB		P7
680	2B		K29-8433-04	KNOB		K6P6K8
680	2B		K29-8433-04	KNOB		P8
681	2B		K29-8434-13	KNOB		K6P6K8
681	2B		K29-8434-13	KNOB		P8
681	2B		K29-8446-13	KNOB		K5P5K7
681	2B		K29-8446-13	KNOB		P7
682	2B		K29-8435-11	KNOB		K5P5K7
682	2B		K29-8435-11	KNOB		P7
682	2B		K29-8436-11	KNOB		K6P6K8
682	2B		K29-8436-11	KNOB		P8
683	2B		K29-8437-14	KNOB ASSY		K5P5K7
683	2B		K29-8437-14	KNOB ASSY		P7
683	2B		K29-8439-14	KNOB ASSY		K6P6K8
683	2B		K29-8439-14	KNOB ASSY		P8
684	2B		K29-8444-04	KNOB		K5P5K7
684	2B		K29-8444-04	KNOB		P7
684	2B		K29-8445-04	KNOB		K6P6K8
684	2B		K29-8445-04	KNOB		P8
△ 685	2B		L07-3285-15	POWER TRANSFORMER		
A			N84-2005-48	PAN HEAD TAPTITE SCREW		
G			N82-2608-48	BINDING HEAD TAPTITE SCREW		
J			N89-3008-48	BINDING HEAD TAPTITE SCREW		
M			N89-3018-48	BINDING HEAD TAPTITE SCREW		
N			N89-3010-48	BINDING HEAD TAPTITE SCREW		
P			N84-3005-48	PAN HEAD TAPTITE SCREW		
R			N84-2605-48	PAN HEAD TAPTITE SCREW		K6P6K8
R			N84-2605-48	PAN HEAD TAPTITE SCREW		P8
690	1A		T90-0893-05	LOOP ANTENNA		
691	1A		T90-0905-05	LEAD WIRE ANTENNA		
692	2A		T99-0672-05	MAGNET		
693	1A	*	T29-0011-05	MICROPHONE UNIT		
△ Q11 ,12			TRAIT3KN	TRANSISTOR		
△ Q13 ,14			TRAIT3KP	TRANSISTOR		
△ Q31 ,32			TRAIT3KN	TRANSISTOR		
△ Q33 ,34			TRAIT3KP	TRANSISTOR		

L : Scandinavia    K : USA    P : Canada    R : Mexico    C : China    I : Malaysia  
 Y : PX(Far East,Hawaii)    T : England    E : Europe    G : Germany    V : China(Shanghai)  
 Y : AAFES(Europe)    X : Australia    Q : Russia    H : Korea    M : Other Areas    △ indicates safety critical components.

KRF-V8090D/X9090D/VR-9560/9080  
PARTS LIST





\* New Parts

Parts without **Parts No.** are not supplied.

Les articles non mentionnés dans le **Parts No.** ne sont pas fournis.

Teile ohne **Parts No.** werden nicht geliefert.

5

Ref. No	Add-ress	New Parts	Parts No.	Description	Desti-nation	Re-marks
△ Q11 ,12			TRAIT3KNNF	TRANSISTOR		
△ Q13 ,14			TRAIT3KPNF	TRANSISTOR		
△ Q31 ,32			TRAIT3KNNF	TRANSISTOR		
△ Q33 ,34			TRAIT3KPNF	TRANSISTOR		
△ Q51 ,52			TRAIT3KNNF	TRANSISTOR		
△ Q53 ,54			TRAIT3KPNF	TRANSISTOR		
△ Q718			TRAIT3KNNF	TRANSISTOR		
△ Q720			TRAIT3KPNF	TRANSISTOR		
TH1	2C		DP40203SG270	THERMISTOR		
694	1C	*	W02-4615-05	TUNER ASSY	Y3Y4	
694	1C	*	W02-4616-05	TUNER ASSY	E1E2X2	
694	1C	*	W02-4616-05	TUNER ASSY	E3E4X4	
<b>PREAMP (X08-3390-13)</b>						
C1 ,2			CK73GB1H472K	CHIP C	4700PF	K
C3 ,4			CC73GCH1H220J	CHIP C	22PF	J
C5 ,6			CD04BJ1E470M	ELECTRO	47UF	25WV
C7			CD04BJ1H100M	ELECTRO	10UF	50WV
C8 ,9			CC73GCH1H221J	CHIP C	220PF	J
C11			CK73GB1H104K	CHIP C	0.10UF	K
C12			CK73GB1A474K	CHIP C	0.47UF	K
C13 ,14			CK73GB1H104K	CHIP C	0.10UF	K
C15			CK73GB1H102K	CHIP C	1000PF	K
C16			CK73GB1H103K	CHIP C	0.010UF	K
C41			CK73GB1H104K	CHIP C	0.10UF	K
C42			CK73GB1H103K	CHIP C	0.010UF	K
C43			CD04BJ1H2R2M	ELECTRO	2.2UF	50WV
C44 ,45			CK73GB1H104K	CHIP C	0.10UF	K
C46			CD04BJ1E470M	ELECTRO	47UF	25WV
C47 ,48			CD04BJ1H4R7M	ELECTRO	4.7UF	50WV
C49			CD04BJ1H100M	ELECTRO	10UF	50WV
C50 ,51			CK73GB1H103K	CHIP C	0.010UF	K
C57 ,58			CC73GSL1H471J	CHIP C	470PF	J
C61 ,62			CC73GCH1H080D	CHIP C	8.0PF	D
C63			CK73GB1H102K	CHIP C	1000PF	K
C64			CK73GB1C563K	CHIP C	0.056UF	K
C65			CD04BJ1E470M	ELECTRO	47UF	25WV
C66			CC73GCH1H220J	CHIP C	22PF	J
C79			CK73GB1H103K	CHIP C	0.010UF	K
C80			CK73FB1E104K	CHIP C	0.10UF	K
C81			CK73GB1H104K	CHIP C	0.10UF	K
C82			CD04BJ1H100M	ELECTRO	10UF	50WV
C83 ,84			CK73GB1H104K	CHIP C	0.10UF	K
C85			CD04BJ1H100M	ELECTRO	10UF	50WV
C87			CD04BJ0J331M	ELECTRO	330UF	6.3WV
C88			CD04BJ1H100M	ELECTRO	10UF	50WV
C89			CK73FB1E104K	CHIP C	0.10UF	K
C90			CK73GB1H104K	CHIP C	0.10UF	K
C91			CD04BJ1H100M	ELECTRO	10UF	50WV
C92			CK73FB1E104K	CHIP C	0.10UF	K
C93			CK73GB1H104K	CHIP C	0.10UF	K
C94			CD04BJ1H100M	ELECTRO	10UF	50WV
C95			CK73FB1C105K	CHIP C	1.0UF	K
C96			CK73GB1H104K	CHIP C	0.10UF	K
C97			CD04BJ1A101M	ELECTRO	100UF	10WV
C98			CK73FB1E104K	CHIP C	0.10UF	K

L : Scandinavia    K : USA    P : Canada    R : Mexico    C : China    I : Malaysia  
 Y : PX(Far East,Hawaii)    T : England    E : Europe    G : Germany    V : China(Shanghai)  
 Y : AAFES(Europe)    X : Australia    Q : Russia    H : Korea    M : Other Areas    △ indicates safety critical components .

\* New Parts

Parts without **Parts No.** are not supplied.

Les articles non mentionnés dans le **Parts No.** ne sont pas fournis.

Teile ohne **Parts No.** werden nicht geliefert.

6

Ref. No	Add-ress	New Parts	Parts No.	Description	Desti-nation	Re-marks
C99			CK73GB1H103K	CHIP C	0.010UF	K
C100			CD04BJ1C472M	ELECTRO	4700UF	16WV
C101,102			CD04BJ1H100M	ELECTRO	10UF	50WV
C103-106		*	CC73GCH1H182J	CHIP C	1800PF	J
C109			CC73GCH1H101J	CHIP C	100PF	J
C110			CK73GB1H103K	CHIP C	0.010UF	K
C121,122			CD04BJ1H100M	ELECTRO	10UF	50WV
C123,124		*	CC73GCH1H222J	CHIP C	2200PF	J
C125,126			CC73GCH1H821J	CHIP C	820PF	J
C129			CC73GCH1H101J	CHIP C	100PF	J
C130			CK73GB1H103K	CHIP C	0.010UF	K
C141,142			CD04BJ1H100M	ELECTRO	10UF	50WV
C143-146		*	CC73GCH1H182J	CHIP C	1800PF	J
C149			CC73GCH1H101J	CHIP C	100PF	J
C150			CK73GB1H103K	CHIP C	0.010UF	K
C161,162			CD04BJ1H100M	ELECTRO	10UF	50WV
C163		*	CC73GCH1H182J	CHIP C	1800PF	J
C164			CK73GB1H822K	CHIP C	8200PF	K
C165		*	CC73GCH1H182J	CHIP C	1800PF	J
C166			CK73GB1H822K	CHIP C	8200PF	K
C169			CC73GCH1H101J	CHIP C	100PF	J
C170			CK73GB1H103K	CHIP C	0.010UF	K
C181,182			CC73GCH1H220J	CHIP C	22PF	J
C189			CC73GCH1H101J	CHIP C	100PF	J
C190			CK73GB1H103K	CHIP C	0.010UF	K
C191-196			CD04BJ1H4R7M	ELECTRO	4.7UF	50WV
C197			CK73GB1H102K	CHIP C	1000PF	K
C198			CC73GCH1H101J	CHIP C	100PF	J
C261,262			CD04BJ1H100M	ELECTRO	10UF	50WV
C263,264			CC73GCH1H220J	CHIP C	22PF	J
C265,266			CD04BJ1H4R7M	ELECTRO	4.7UF	50WV
C267			CC73GCH1H101J	CHIP C	100PF	J
C268			CK73GB1H103K	CHIP C	0.010UF	K
C501-528			CK73GB1H103K	CHIP C	0.010UF	K
C529			CD04BJ1H100M	ELECTRO	10UF	50WV
C530-543			CK73GB1H103K	CHIP C	0.010UF	K
C544,545			CK73GB1H104K	CHIP C	0.10UF	K
C546-553			CK73GB1H103K	CHIP C	0.010UF	K
C554			CK73GB1H104K	CHIP C	0.10UF	K
C555			CK73GB1H103K	CHIP C	0.010UF	K
C556-558			CK73GB1H102K	CHIP C	1000PF	K
C560			CK73GB1H103K	CHIP C	0.010UF	K
C561,562			CC73GCH1H101J	CHIP C	100PF	J
C563-565			CK73GB1H103K	CHIP C	0.010UF	K
C567-570			CK73GB1H103K	CHIP C	0.010UF	K
C571,572			CC73GCH1H080D	CHIP C	8.0PF	D
C573			CK73GB1H102K	CHIP C	1000PF	K
C574			CK73GB1H103K	CHIP C	0.010UF	K
C575			CC73GCH1H100D	CHIP C	10PF	D
C601			CC73GCH1H101J	CHIP C	100PF	J
C602			CK73GB1H821K	CHIP C	820PF	K
C603			CC73GCH1H101J	CHIP C	100PF	J
C604			CC73GCH1H100D	CHIP C	10PF	D
CN4			E41-1435-05	FLAT CABLE CONNECTOR		
J1			E63-1387-05	PIN JACK		

L : Scandinavia    K : USA    P : Canada    R : Mexico    C : China    I : Malaysia  
 Y : PX(Far East,Hawaii)    T : England    E : Europe    G : Germany    V : China(Shanghai)  
 Y : AAFES(Europe)    X : Australia    Q : Russia    H : Korea    M : Other Areas    △ indicates safety critical components .

**KRF-V8090D/X9090D/VR-9560/9080**  
**PARTS LIST**

\* New Parts  
Parts without **Parts No.** are not supplied.  
Les articles non mentionnés dans le **Parts No.** ne sont pas fournis.  
Teile ohne **Parts No.** werden nicht geliefert.

7

Ref. No	Add-ress	New Parts	Parts No.	Description	Desti-nation	Re-marks
L1 ,2			L92-0510-05	CHIP FERRITE		
L3 ,5			L92-0578-05	CHIP FERRITE		
X6			L77-2419-05	CRYSTAL RESONATOR(24.576MHZ, H		
X51		*	L77-2455-05	CRYSTAL RESONATOR(25MHZ,HC49)		
CP51-66			RK74GB1J220J	CHIP-COM 22 J 1/16W		
CP71-75			RK74GB1J181J	CHIP-COM 180 J 1/16W		
R1 ,2			RK73GB2A101J	CHIP R 100 J 1/10W		
R3			RK73EB2E4R7J	CHIP R 4.7 J 1/4W		
R4			RK73GB2A471J	CHIP R 470 J 1/10W		
R5 ,6			RK73EB2E4R7J	CHIP R 4.7 J 1/4W		
R7 ,8			RK73GB2A750J	CHIP R 75 J 1/10W		
R11 ,12			RK73GB2A101J	CHIP R 100 J 1/10W		
R21			RK73GB2A183J	CHIP R 18K J 1/10W		
R23			RK73GB2A201J	CHIP R 200 J 1/10W		
R24 -26			RK73GB2A101J	CHIP R 100 J 1/10W		
R27			RK73GB2A104J	CHIP R 100K J 1/10W		
R30 ,31			RK73GB2A101J	CHIP R 100 J 1/10W		
R32			RK73GB2A102J	CHIP R 1.0K J 1/10W		
R33			RK73GB2A181J	CHIP R 180 J 1/10W		
R41			RK73GB2A330J	CHIP R 33 J 1/10W		
R42			RK73GB2A104J	CHIP R 100K J 1/10W		
R43 -47			RK73GB2A101J	CHIP R 100 J 1/10W		
R48 ,49			RK73GB2A100J	CHIP R 10 J 1/10W		
R50			RK73GB2A181J	CHIP R 180 J 1/10W		
R51			RK73GB2A100J	CHIP R 10 J 1/10W		
R52			RK73EB2E4R7J	CHIP R 4.7 J 1/4W		
R55 ,56			RK73GB2A471J	CHIP R 470 J 1/10W		
R61 ,62			RK73GB2A105J	CHIP R 1.0M J 1/10W		
R63			RK73GB2A221J	CHIP R 220 J 1/10W		
R64			RK73FB2A2R2J	CHIP R 2.2 J 1/10W		
R65			RK73GB2A330J	CHIP R 33 J 1/10W		
R81			RK73EB2E2R2J	CHIP R 2.2 J 1/4W		
R82 ,83			R92-1918-05	CHIP R 0.33 J 1/4W		
R84			RS14KB3D680J	FL-PROOF RS 68 J 2W		
R85			RS14KB3D560J	FL-PROOF RS 56 J 2W		
R86			RS14KB3D2R2J	FL-PROOF RS 2.2 J 2W	K5K6K7	
R86			RS14KB3D2R2J	FL-PROOF RS 2.2 J 2W	K8P5P6	
R86			RS14KB3D2R2J	FL-PROOF RS 2.2 J 2W	P7P8X4	
R86			RS14KB3D3R3J	FL-PROOF RS 3.3 J 2W	E3E4Y3	
R86			RS14KB3D3R3J	FL-PROOF RS 3.3 J 2W	X2	
R86			RS14KB3D3R3J	FL-PROOF RS 3.3 J 2W	Y4E1E2	
R87			RS14KB3D3R3J	FL-PROOF RS 3.3 J 2W		
R88			RS14KB3D2R2J	FL-PROOF RS 2.2 J 2W		
R89			RK73GB2A202J	CHIP R 2.0K J 1/10W		
R90 ,91			RK73GB2A103J	CHIP R 10K J 1/10W		
R92			RK73GB2A152J	CHIP R 1.5K J 1/10W		
R93			RK73GB2A102J	CHIP R 1.0K J 1/10W		
R94			RK73GB2A472J	CHIP R 4.7K J 1/10W		
R95			RK73GB2A473J	CHIP R 47K J 1/10W		
R96 ,97			RK73GB2A221J	CHIP R 220 J 1/10W		
R98			R92-1918-05	CHIP R 0.33 J 1/4W		
R101,102			RK73GB2A104J	CHIP R 100K J 1/10W		
R103,104			RK73GB2A222J	CHIP R 2.2K J 1/10W		
R105,106			RK73GB2A102J	CHIP R 1.0K J 1/10W		

L : Scandinavia K : USA P : Canada R : Mexico C : China I : Malaysia  
Y : PX(Far East,Hawaii) T : England E : Europe G : Germany V : China(Shanghai)  
Y : AAFES(Europe) X : Australia Q : Russia H : Korea M : Other Areas  $\Delta$  indicates safety critical components .

\* New Parts  
Parts without **Parts No.** are not supplied.  
Les articles non mentionnés dans le **Parts No.** ne sont pas fournis.  
Teile ohne **Parts No.** werden nicht geliefert.

8

Ref. No	Add-ress	New Parts	Parts No.	Description	Desti-nation	Re-marks
R107,108			RK73GB2A103J	CHIP R 10K J 1/10W		
R109,110			RK73GB2A472J	CHIP R 4.7K J 1/10W		
R111,112			RK73GB2A221J	CHIP R 220 J 1/10W		
R121,122			RK73GB2A104J	CHIP R 100K J 1/10W		
R123,124			RK73GB2A332J	CHIP R 3.3K J 1/10W		
R125,126			RK73GB2A911J	CHIP R 910 J 1/10W		
R127,128			RK73GB2A272J	CHIP R 2.7K J 1/10W		
R129,130			RK73GB2A562J	CHIP R 5.6K J 1/10W		
R131,132			RK73GB2A221J	CHIP R 220 J 1/10W		
R141,142			RK73GB2A104J	CHIP R 100K J 1/10W		
R143,144			RK73GB2A222J	CHIP R 2.2K J 1/10W		
R145,146			RK73GB2A102J	CHIP R 1.0K J 1/10W		
R147,148			RK73GB2A103J	CHIP R 10K J 1/10W		
R149,150			RK73GB2A472J	CHIP R 4.7K J 1/10W		
R151,152			RK73GB2A221J	CHIP R 220 J 1/10W		
R161,162			RK73GB2A104J	CHIP R 100K J 1/10W		
R163			RK73GB2A222J	CHIP R 2.2K J 1/10W		
R164			RK73GB2A273J	CHIP R 27K J 1/10W		
R165			RK73GB2A102J	CHIP R 1.0K J 1/10W		
R166			RK73GB2A183J	CHIP R 18K J 1/10W		
R167,168			RK73GB2A103J	CHIP R 10K J 1/10W		
R169			RK73GB2A472J	CHIP R 4.7K J 1/10W		
R170			RK73GB2A912J	CHIP R 9.1K J 1/10W		
R171,172			RK73GB2A221J	CHIP R 220 J 1/10W		
R181,182			RK73GB2A102J	CHIP R 1.0K J 1/10W		
R185-188			RK73GB2A562J	CHIP R 5.6K J 1/10W		
R189,190			RK73GB2A101J	CHIP R 100 J 1/10W		
R201-208			RK73GB2A104J	CHIP R 100K J 1/10W		
R209-212			RK73GB2A472J	CHIP R 4.7K J 1/10W		
R213,214			RK73GB2A432J	CHIP R 4.3K J 1/10W		
R215,216			RK73GB2A562J	CHIP R 5.6K J 1/10W		
R217,218			RK73GB2A472J	CHIP R 4.7K J 1/10W		
R219,220			RK73GB2A562J	CHIP R 5.6K J 1/10W		
R261-264			RK73GB2A562J	CHIP R 5.6K J 1/10W		
R265,266			RK73GB2A101J	CHIP R 100 J 1/10W		
R501,502			RK73GB2A330J	CHIP R 33 J 1/10W		
R503-506			RK73GB2A104J	CHIP R 100K J 1/10W		
R507-509			RK73GB2A101J	CHIP R 100 J 1/10W		
R510			RK73GB2A104J	CHIP R 100K J 1/10W		
R511			RK73GB2A330J	CHIP R 33 J 1/10W		
R512			RK73GB2A101J	CHIP R 100 J 1/10W		
R513-515			RK73GB2A104J	CHIP R 100K J 1/10W		
R516			RK73GB2A101J	CHIP R 100 J 1/10W		
R517			RK73GB2A220J	CHIP R 22 J 1/10W		
R518			RK73FB2A100J	CHIP R 10 J 1/10W		
R521			RK73GB2A472J	CHIP R 4.7K J 1/10W		
R523,524			RK73GB2A472J	CHIP R 4.7K J 1/10W		
R525,526			RK73GB2A220J	CHIP R 22 J 1/10W		
R527			RK73GB2A101J	CHIP R 100 J 1/10W		
R528-530			RK73GB2A472J	CHIP R 4.7K J 1/10W		
R532-534			RK73GB2A472J	CHIP R 4.7K J 1/10W		
R536			RK73GB2A103J	CHIP R 10K J 1/10W		
R537-540			RK73GB2A472J	CHIP R 4.7K J 1/10W		
R541-548			RK73GB2A100J	CHIP R 10 J 1/10W		
R549			RK73GB2A101J	CHIP R 100 J 1/10W		

L : Scandinavia K : USA P : Canada R : Mexico C : China I : Malaysia  
Y : PX(Far East,Hawaii) T : England E : Europe G : Germany V : China(Shanghai)  
Y : AAFES(Europe) X : Australia Q : Russia H : Korea M : Other Areas  $\Delta$  indicates safety critical components .

PARTS LIST

KRF-V8090D/X9090D/VR-9560/9080

\* New Parts

Parts without **Parts No.** are not supplied.  
Les articles non mentionnés dans le **Parts No.** ne sont pas fournis.  
Teile ohne **Parts No.** werden nicht geliefert.

9

Ref. No	Address	New Parts	Parts No.	Description	Quantity	Unit	Lead Time	Destination	Remarks
R550			RK73GB2A100J	CHIP R	10	J	1/10W		
R551			RK73GB2A104J	CHIP R	100K	J	1/10W		
R552			RK73GB2A102J	CHIP R	1.0K	J	1/10W		
R553			RK73GB2A101J	CHIP R	100	J	1/10W		
R554			RK73GB2A201J	CHIP R	200	J	1/10W		
R560-567			RK73GB2A472J	CHIP R	4.7K	J	1/10W		
R571			RK73GB2A105J	CHIP R	1.0M	J	1/10W		
R572			RK73GB2A101J	CHIP R	100	J	1/10W		
R573			RK73GB2A105J	CHIP R	1.0M	J	1/10W		
R574			RK73GB2A103J	CHIP R	10K	J	1/10W		
R581			RK73GB2A104J	CHIP R	100K	J	1/10W		
R601,602			RK73GB2A100J	CHIP R	10	J	1/10W		
R603,604			RK73GB2A120J	CHIP R	12	J	1/10W		
R901,902			RK73GB2A000JK	CHIP R	0	J	1/10W		
R903,904			RK73GB2A220J	CHIP R	22	J	1/10W		
R907			RK73GB2A000JK	CHIP R	0	J	1/10W		
R909-911			RK73GB2A000JK	CHIP R	0	J	1/10W		
R912			RK73GB2A000JK	CHIP R	0	J	1/10W	E1E2X2	
R912			RK73GB2A000JK	CHIP R	0	J	1/10W	E3E4X4	
R912			RK73GB2A000JK	CHIP R	0	J	1/10W	K5K6K7	
R912			RK73GB2A000JK	CHIP R	0	J	1/10W	K8P5P6	
R912			RK73GB2A000JK	CHIP R	0	J	1/10W	P7P8	
S1			S62-0034-05	SLIDE SWITCH				Y3Y4	
△ D1			D2SBA207009F01	DIODE					
△ D2 -4			MA111	DIODE					
D5			UDZS5.6B	ZENER DIODE					
D6 ,7			UDZS3.9B	ZENER DIODE					
D8			1SR154-400	DIODE					
D9			UDZS3.9B	ZENER DIODE					
D10			UDZS5.1B	ZENER DIODE					
D11 ,12			DAN202U	DIODE					
△ D13 -16			MA111	DIODE					
△ D17			1SR154-400	DIODE					
D18			MA111	DIODE				Y3Y4	
D41			DAP202U	DIODE					
D42			DAN202U	DIODE					
D51 ,52			MA111	DIODE					
IC1			AK4114VQ	MOS-IC					
IC2			AK4628-VQ	MOS-IC					
IC6			TC7WU04FU-F	MOS-IC					
IC10			NJM4565MD-ZB	ANALOGUE IC					
IC12			NJM4565MD-ZB	ANALOGUE IC					
IC14			NJM4565MD-ZB	ANALOGUE IC					
IC16			NJM4565MD-ZB	ANALOGUE IC					
IC18		*	NJM5532MD-ZB	ANALOGUE IC					
IC19			NJM4565MD-ZB	ANALOGUE IC					
IC20			NJU7311AM-ZB	ANALOGUE IC					
△ IC21,22			BA033T	ANALOGUE IC					
△ IC23			BA05T	ANALOGUE IC					
△ IC24			XC6201P332PRN	ANALOGUE IC					
△ IC26			SI-3010KM	ANALOGUE IC					
IC50		*	ADSST-AVR-1100	MOS-IC				E3E4Y3	
IC50		*	ADSST-AVR-1100	MOS-IC				K5K6P5	

L : Scandinavia    K : USA    P : Canada    R : Mexico    C : China    I : Malaysia  
Y : PX(Far East,Hawaii)    T : England    E : Europe    G : Germany    V : China(Shanghai)  
Y : AAFES(Europe)    X : Australia    Q : Russia    H : Korea    M : Other Areas    △ indicates safety critical components .

\* New Parts

Parts without **Parts No.** are not supplied.  
Les articles non mentionnés dans le **Parts No.** ne sont pas fournis.  
Teile ohne **Parts No.** werden nicht geliefert.

10

Ref. No	Address	New Parts	Parts No.	Description	Quantity	Unit	Lead Time	Destination	Remarks
IC50		*	ADSST-AVR-1100	MOS-IC					P6Y4X4
IC50		*	ADSST-AVR-1105	MOS-IC					E1E2X2
IC50		*	ADSST-AVR-1105	MOS-IC					K7K8P7
IC50		*	ADSST-AVR-1105	MOS-IC					P8
IC51-53			SN74LVC573APWR	MOS-IC					
IC54			SN74LVC245APWR	MOS-IC					
IC55			SN74LVC2G125T3	MOS-IC					
IC56			SN74LVC139APWR	MOS-IC					
IC57			SN74LVC1G08DC3	MOS-IC					
IC58			SN74LVC1G32DC3	MOS-IC					
IC59		*	LHF16JT2-1BEA	ROM IC					E1E2X2
IC59		*	LHF16JT2-1BEA	ROM IC					K7K8P7
IC59		*	LHF16JT2-1BEA	ROM IC					P8
IC59		*	LHF16JT2-1BFA	ROM IC					E3E4Y3
IC59		*	LHF16JT2-1BFA	ROM IC					K5K6P5
IC59		*	LHF16JT2-1BFA	ROM IC					P6Y4X4
IC60		*	IS61LV1024810T	SRAM IC					
IC61			TC74VHC125FT	MOS-IC					
IC62			TC74HCT7007AF	MOS-IC					
IC63			SN74LVC1G32DC3	MOS-IC					
IC64			SN74LVC1G08DC3	MOS-IC					
Q1			2SB1218A(Q,R)	TRANSISTOR					
Q2			2SD1819A(Q,R)	TRANSISTOR					
Q51			2SC4081(R,S)	TRANSISTOR					
A1 ,2			W02-4524-05	OPTIC RECEIVING MODULE					
A3			W02-4540-05	OSCILLATING MODULE					
<b>AUDIO (X09-6960-11)</b>									
C1 ,2			CC45FSL1H221J	CERAMIC	220PF	J			
C3 ,4			CD04BJ1H100M	ELECTRO	10UF	50WV			
C5 ,6			CC45FSL1H221J	CERAMIC	220PF	J			
C7 ,8			CD04BJ1A101M	ELECTRO	100UF	10WV			
C9 ,10			CC45FSL1H271J	CERAMIC	270PF	J			
C11 ,12			CQ93FMG1H123J	MYLAR	0.012UF	J			
C13 ,14			CK45FB1H332K	CERAMIC	3300PF	K			
C15 ,16			CD04BJ1H4R7M	ELECTRO	4.7UF	50WV			
C17 ,18			CC45FSL1H101J	CERAMIC	100PF	J			
C19 -38			CC45FSL1H221J	CERAMIC	220PF	J			
C39			CC45FSL1H101J	CERAMIC	100PF	J			
C40			CK45FF1H103Z	CERAMIC	0.010UF	Z			E1E2E3
C40			CK45FF1H103Z	CERAMIC	0.010UF	Z			E4X2X4
C40			CK45FF1H103Z	CERAMIC	0.010UF	Z			Y3Y4
C41			CK45FF1H103Z	CERAMIC	0.010UF	Z			
C42			CK45FF1H103Z	CERAMIC	0.010UF	Z			E1E2E3
C42			CK45FF1H103Z	CERAMIC	0.010UF	Z			E4X2X4
C42			CK45FF1H103Z	CERAMIC	0.010UF	Z			Y3Y4
C44 ,45			CD04BJ1E470M	ELECTRO	47UF	25WV			
C46 ,47			CQ93FMG1H823J	MYLAR	0.082UF	J			
C48 ,49			CC45FSL1H101J	CERAMIC	100PF	J			
C51 -54			C91-1573-05	MP-C	0.10UF	J			
C55 ,56			CQ93FMG1H272J	MYLAR	2700PF	J			
C57 ,58			CD04BJ1H2R2M	ELECTRO	2.2UF	50WV			
C62 ,63			CD04BJ1H3R3M	ELECTRO	3.3UF	50WV			
C64 ,65			CD04BJ2A3R3M	ELECTRO	3.3UF	100WV			
C66 ,67			CC45FSL1H331J	CERAMIC	330PF	J			

L : Scandinavia    K : USA    P : Canada    R : Mexico    C : China    I : Malaysia  
Y : PX(Far East,Hawaii)    T : England    E : Europe    G : Germany    V : China(Shanghai)  
Y : AAFES(Europe)    X : Australia    Q : Russia    H : Korea    M : Other Areas    △ indicates safety critical components .

KRF-V8090D/X9090D/VR-9560/9080 PARTS LIST



\* New Parts  
Parts without **Parts No.** are not supplied.  
Les articles non mentionnés dans le **Parts No.** ne sont pas fournis.  
Teile ohne **Parts No.** werden nicht geliefert.

11

Ref. No	Add-ress	New Parts	Parts No.	Description	Desti-nation	Re-marks
C68			CC45FCH1H070D	CERAMIC 7.0PF D		
C69			CC45FCH1H080D	CERAMIC 8.0PF D		
C70 ,71			CQ93FMG1H222J	MYLAR 2200PF J		
C72 ,73			CC45FSL1H101J	CERAMIC 100PF J		
C74 ,75			CD04BJ1A221M	ELECTRO 220UF 10WV		
C76 ,77			CC45FCH1H150J	CERAMIC 15PF J		
C78 ,79			CK45FB1H561K	CERAMIC 560PF K		
C84 ,85			CD04BJ1E470M	ELECTRO 47UF 25WV		
C86 ,87			CC45FSL1H151J	CERAMIC 150PF J		
C88 ,89			CC45FSL2H470J	CERAMIC 47PF J		
C90 -93			C91-1577-05	MP-C 0.22UF J	E1E2E3	
C90 -93			C91-1577-05	MP-C 0.22UF J	E4X2X4	
C90 -93			C91-1577-05	MP-C 0.22UF J	Y3Y4	
C90 ,91			C91-1573-05	MP-C 0.10UF J	K5K6K7	
C90 ,91			C91-1573-05	MP-C 0.10UF J	K8P5P6	
C90 ,91			C91-1573-05	MP-C 0.10UF J	P7P8	
C94 ,95			CK45FB1H332K	CERAMIC 3300PF K		
C111-114			CD04BJ1H3R3M	ELECTRO 3.3UF 50WV		
C115,116			CC45FSL1H331J	CERAMIC 330PF J		
C117,118			CC45FCH1H050C	CERAMIC 5.0PF C		
C119,120			CQ93FMG1H222J	MYLAR 2200PF J		
C121,122			CC45FSL1H101J	CERAMIC 100PF J		
C123,124			CD04BJ1A221M	ELECTRO 220UF 10WV		
C125,126			CC45FCH1H150J	CERAMIC 15PF J		
C127,128			CK45FB1H561K	CERAMIC 560PF K		
C133,134			CD04BJ1H220M	ELECTRO 22UF 50WV		
C135,136			CC45FSL1H151J	CERAMIC 150PF J		
C137,138			CC45FSL2H470J	CERAMIC 47PF J		
C139-142			C91-1577-05	MP-C 0.22UF J	E1E2E3	
C139-142			C91-1577-05	MP-C 0.22UF J	E4X2X4	
C139-142			C91-1577-05	MP-C 0.22UF J	Y3Y4	
C139,140			C91-1573-05	MP-C 0.10UF J	K5K6K7	
C139,140			C91-1573-05	MP-C 0.10UF J	K8P5P6	
C139,140			C91-1573-05	MP-C 0.10UF J	P7P8	
C161			CD04BJ1H3R3M	ELECTRO 3.3UF 50WV		
C163			CD04BJ2A3R3M	ELECTRO 3.3UF 100WV		
C165			CC45FSL1H331J	CERAMIC 330PF J		
C167			CC45FCH1H060D	CERAMIC 6.0PF D		
C169			CQ93FMG1H222J	MYLAR 2200PF J		
C171			CC45FSL1H101J	CERAMIC 100PF J		
C173			CD04BJ1A221M	ELECTRO 220UF 10WV		
C175			CC45FCH1H150J	CERAMIC 15PF J		
C177			CK45FB1H561K	CERAMIC 560PF K		
C183			CD04BJ1E470M	ELECTRO 47UF 25WV		
C185			CC45FSL1H151J	CERAMIC 150PF J		
C187			CC45FSL2H470J	CERAMIC 47PF J		
C189-192			C91-1577-05	MP-C 0.22UF J	E1E2E3	
C189-192			C91-1577-05	MP-C 0.22UF J	E4X2X4	
C189-192			C91-1577-05	MP-C 0.22UF J	Y3Y4	
C189,190			C91-1573-05	MP-C 0.10UF J	K5K6K7	
C189,190			C91-1573-05	MP-C 0.10UF J	K8P5P6	
C189,190			C91-1573-05	MP-C 0.10UF J	P7P8	
C193			CK45FB1H332K	CERAMIC 3300PF K		
C195,196			CK45FB1H332K	CERAMIC 3300PF K		
C210,211			CC45FCH1H050C	CERAMIC 5.0PF C		

L : Scandinavia K : USA P : Canada R : Mexico C : China I : Malaysia  
Y : PX(Far East,Hawaii) T : England E : Europe G : Germany V : China(Shanghai)  
Y : AAFES(Europe) X : Australia Q : Russia H : Korea M : Other Areas  $\Delta$  indicates safety critical components .

\* New Parts  
Parts without **Parts No.** are not supplied.  
Les articles non mentionnés dans le **Parts No.** ne sont pas fournis.  
Teile ohne **Parts No.** werden nicht geliefert.

12

Ref. No	Add-ress	New Parts	Parts No.	Description	Desti-nation	Re-marks
C301,302		*	C90-5844-05	ELECTRO 1000UF 75WV		
C303			CQ93FMG1H103J	MYLAR 0.010UF J		
C304			CD04BJ1A221M	ELECTRO 220UF 10WV		
C305			CD04BJ1H101M	ELECTRO 100UF 50WV		
C306			CD04BJ2A101M1	ELECTRO 100UF 100WV		
C308			CD04BJ1H100M	ELECTRO 10UF 50WV		
C309-311			CD04BJ1H220M	ELECTRO 22UF 50WV		
C312			CD04BJ1A101M	ELECTRO 100UF 10WV		
C315			CD04BJ2A330M	ELECTRO 33UF 100WV		
C316			CD04BJ2A100M	ELECTRO 10UF 100WV		
C317,318			CD04BJ2A220M	ELECTRO 22UF 100WV		
C319,320			CC45FSL1H101J	CERAMIC 100PF J		
C323			CK45FB1H102K	CERAMIC 1000PF K		
C324,325			CD04BJ1C471M	ELECTRO 470UF 16WV		
C351-353			CC45FSL1H221J	CERAMIC 220PF J		
C354			CQ93FMG1H122J	MYLAR 1200PF J		
C355-360			CK45FF1H472Z	CERAMIC 4700PF Z		
C361,362			CD04BJ1H220M	ELECTRO 22UF 50WV		
C363			CD04BJ1E470M	ELECTRO 47UF 25WV		
C364			CD04AU1H2R2M	NP-ELEC 2.2UF 50WV		
C365			CD04BJ1A221M	ELECTRO 220UF 10WV		
C366			CD04BJ1H4R7M	ELECTRO 4.7UF 50WV		
C367			CD04BJ1A221M	ELECTRO 220UF 10WV		
C368			CD04BJ1H4R7M	ELECTRO 4.7UF 50WV		
C369			CD04AU1E220M	NP ELEC 22UF 25WV		
C370			CK45FB1H102K	CERAMIC 1000PF K		
C450			CK45FE2H103P	CERAMIC 0.010UF P		
C451-453			CK45FB2H102K	CERAMIC 1000PF K		
C501,502			CC45FSL1H221J	CERAMIC 220PF J		
C503			CK45FF1H103Z	CERAMIC 0.010UF Z		
C600			CD04BJ1E101M	ELECTRO 100UF 25WV		
C609			CC45FCH1H100D	CERAMIC 10PF D		
C610			CD04BJ2A101M1	ELECTRO 100UF 100WV		
C611			CD04BJ1H220M	ELECTRO 22UF 50WV		
C722			CD04BJ1H220M	ELECTRO 22UF 50WV		
C800,801			CD04BJ1H100M	ELECTRO 10UF 50WV		
C802			CK45FF1H103Z	CERAMIC 0.010UF Z		
CN4 ,5			E41-1435-05	FLAT CABLE CONNECTOR		
J3			E63-1379-05	PIN JACK		
J5		*	E70-1017-05	SCREW TERMINAL BOARD		
J6		*	E70-1018-05	SCREW TERMINAL BOARD		
J11 ,12		*	E63-1380-05	PIN JACK		
J21 ,22			E63-1380-05	PIN JACK		
J501			E11-0993-05	PHONE JACK (WITH SW LF)		
W350,351			E29-1677-14	LEAD PLATE		
E501			J11-0898-05	WIRE CLAMPER		E1E2E3
E501			J11-0898-05	WIRE CLAMPER		E4X2X4
E501			J11-0898-05	WIRE CLAMPER		Y3Y4
L1 -6			L39-1631-05	PHASE COMPENSATION COIL		
R61 ,62			RS14KB3A821J	FL-PROOF RS 820 J 1W		
R81 -84			RD14NB2E221J	RD 220 J 1/4W		
R85 ,86			RD14NB2E562J	RD 5.6K J 1/4W		
R87 ,88			RD14NB2E331J	RD 330 J 1/4W		

L : Scandinavia K : USA P : Canada R : Mexico C : China I : Malaysia  
Y : PX(Far East,Hawaii) T : England E : Europe G : Germany V : China(Shanghai)  
Y : AAFES(Europe) X : Australia Q : Russia H : Korea M : Other Areas  $\Delta$  indicates safety critical components .

## PARTS LIST

KRF-V8090D/X9090D/VR-9560/9080

\* New Parts  
 Parts without **Parts No.** are not supplied.  
 Les articles non mentionnés dans le **Parts No.** ne sont pas fournis.  
 Teile ohne **Parts No.** werden nicht geliefert.

13

Ref. No	Add-ress	New Parts	Parts No.	Description	Desti-nation	Re-marks
R93 -96			RD14NB2E470J	RD 47 J 1/4W		
R97 ,98			RD14NB2E221J	RD 220 J 1/4W		
R99 ,100			RD14NB2E330J	RD 33 J 1/4W		
R101,102			RS14KB3D4R7J	FL-PROOF RS 4.7 J 2W		
R103,104			RS14KB3D391J	FL-PROOF RS 390 J 2W		
R131-134			RD14NB2E221J	RD 220 J 1/4W		
R135,136			RD14NB2E562J	RD 5.6K J 1/4W		
R137,138			RD14NB2E331J	RD 330 J 1/4W		
R143-146			RD14NB2E470J	RD 47 J 1/4W		
R147,148			RD14NB2E221J	RD 220 J 1/4W		
R149,150			RD14NB2E330J	RD 33 J 1/4W		
R151,152			RS14KB3D4R7J	FL-PROOF RS 4.7 J 2W		
R181			RD14NB2E221J	RD 220 J 1/4W		
R183			RD14NB2E221J	RD 220 J 1/4W		
R185			RD14NB2E562J	RD 5.6K J 1/4W		
R187			RD14NB2E331J	RD 330 J 1/4W		
R193			RD14NB2E470J	RD 47 J 1/4W		
R195			RD14NB2E470J	RD 47 J 1/4W		
R197,198			RD14NB2E221J	RD 220 J 1/4W		
R199,200			RD14NB2E330J	RD 33 J 1/4W		
R201,202			RS14KB3D4R7J	FL-PROOF RS 4.7 J 2W		
R303			RD14NB2E561J	RD 560 J 1/4W		
R304			RS14KB3A822J	FL-PROOF RS 8.2K J 1W		
R306			RD14NB2E101J	RD 100 J 1/4W		
R307			RD14NB2E822J	RD 8.2K J 1/4W		
R310			RS14KB3A390J	FL-PROOF RS 39 J 1W		
R311			RS14KB3A680J	FL-PROOF RS 68 J 1W		
R314			RS14KB3A681J	FL-PROOF RS 680 J 1W		
R317			RS14KB3D152J	FL-PROOF RS 1.5K J 2W		
R318			RS14KB3D222J	FL-PROOF RS 2.2K J 2W		
R321,322			RD14NB2E1R0J	RD 1 J 1/4W		
R325,326			RD14NB2E472J	RD 4.7K J 1/4W		
R331-333			RS14KB3D182J	FL-PROOF RS 1.8K J 2W		
R342			RS14KB3A100J	FL-PROOF RS 10 J 1W		
R343			RS14KB3A470J	FL-PROOF RS 47 J 1W		
R454			RS14KB3A391J	FL-PROOF RS 390 J 1W		
R476			RD14NB2E561J	RD 560 J 1/4W		
R627			RD14NB2E472J	RD 4.7K J 1/4W		
R733			RD14NB2E470J	RD 47 J 1/4W		
R735			RD14NB2E470J	RD 47 J 1/4W		
VR1 -6			R32-0118-05	SEMI FIXED VARIABLE RESISTOR		
K2 -5			S76-0098-05	MAGNETIC RELAY		
D1 -5			1SS133	DIODE	E1E2E3	
D6			1SS133	DIODE	E4X2X4	
D6			1SS133	DIODE	Y3Y4	
D6			1SS133	DIODE	E1E2E3	
D7			MTZJ5.1(B)	ZENER DIODE		
D7			MTZJ5.1(B)	ZENER DIODE	E4X2X4	
D7			MTZJ5.1(B)	ZENER DIODE	Y3Y4	
D8			MTZJ3.9(B)	ZENER DIODE	E1E2E3	
D8			MTZJ3.9(B)	ZENER DIODE	E4X2X4	
D8			MTZJ3.9(B)	ZENER DIODE	Y3Y4	
D12			D5SBA20-7000	DIODE		

L : Scandinavia K : USA P : Canada R : Mexico C : China I : Malaysia  
 Y : PX(Far East,Hawaii) T : England E : Europe G : Germany V : China(Shanghai)  
 Y : AAFES(Europe) X : Australia Q : Russia H : Korea M : Other Areas  $\Delta$  indicates safety critical components .

\* New Parts  
 Parts without **Parts No.** are not supplied.  
 Les articles non mentionnés dans le **Parts No.** ne sont pas fournis.  
 Teile ohne **Parts No.** werden nicht geliefert.

14

Ref. No	Add-ress	New Parts	Parts No.	Description	Desti-nation	Re-marks
D14 ,15			S5688B	DIODE		
D16			1SS133	DIODE		
D17			MTZJ16(B)	ZENER DIODE		
D18			MTZJ15(B)	ZENER DIODE		
D19			MTZJ16(B)	ZENER DIODE		
D20			MTZJ6.2(B)	ZENER DIODE		
D21			MTZJ6.8(B)	ZENER DIODE		
D22			MTZJ5.1(B)	ZENER DIODE		
D23			MTZJ13(B)	ZENER DIODE	X2	
D23			MTZJ13(B)	ZENER DIODE	Y3Y4X4	
D23			MTZJ15(B)	ZENER DIODE		K5K6K7
D23			MTZJ15(B)	ZENER DIODE		K8P5P6
D23			MTZJ15(B)	ZENER DIODE		P7P8
D23			MTZJ7.5(B)	ZENER DIODE		E2
D23			MTZJ7.5(B)	ZENER DIODE		E3E4E1
D24			MTZJ7.5(B)	ZENER DIODE		X2
D24			MTZJ7.5(B)	ZENER DIODE		Y3Y4X4
D24			MTZJ8.2(B)	ZENER DIODE		E2
D24			MTZJ8.2(B)	ZENER DIODE		E3E4E1
D24			MTZJ8.2(B)	ZENER DIODE		K5K6K7
D24			MTZJ8.2(B)	ZENER DIODE		K8P5P6
D24			MTZJ8.2(B)	ZENER DIODE		P7P8
D25			MTZJ30(B)	ZENER DIODE		
D26			MTZJ3.9(B)	ZENER DIODE		E2
D26			MTZJ3.9(B)	ZENER DIODE		E3E4E1
D27			1SS244	DIODE		
D28 ,29			1SS133	DIODE		
D32 -35			1SS133	DIODE		
D51 ,52			1SS244	DIODE		
D53 ,54			1SS133	DIODE		
D55 ,56			1SS244	DIODE		
D57 ,58			1SS133	DIODE		
D59 ,60			1SS244	DIODE		
D61 ,62			1SS133	DIODE		
D63			MTZJ3.9(B)	ZENER DIODE		
D64			1SS133	DIODE		
D65			MTZJ3.9(B)	ZENER DIODE		
D66			1SS133	DIODE		
D67			MTZJ3.9(B)	ZENER DIODE		
D68			1SS133	DIODE		
D69			MTZJ3.9(B)	ZENER DIODE		
D602-604			1SS133	DIODE		
D608			MTZJ30(B)	ZENER DIODE		
D609			MTZJ20(B)	ZENER DIODE		
D800,801			MTZJ5.6(B)	ZENER DIODE		
IC1			NJM4580L-ZB	ANALOGUE IC		
IC2			M61516FP	ANALOGUE IC		K5K6K7
IC2			M61516FP	ANALOGUE IC		K8P5P6
IC2			M61516FP	ANALOGUE IC		P7P8
IC2			M61516FP-RF0G	ANALOGUE IC		E1E2E3
IC2			M61516FP-RF0G	ANALOGUE IC		E4X2X4
IC2			M61516FP-RF0G	ANALOGUE IC		Y3Y4
IC800		*	CD4052BE	MOS-IC		
Q1 -4			2SA992(F,E)	TRANSISTOR		
Q5 ,6			2SA1123(R,S)	TRANSISTOR		

L : Scandinavia K : USA P : Canada R : Mexico C : China I : Malaysia  
 Y : PX(Far East,Hawaii) T : England E : Europe G : Germany V : China(Shanghai)  
 Y : AAFES(Europe) X : Australia Q : Russia H : Korea M : Other Areas  $\Delta$  indicates safety critical components .

KRF-V8090D/X9090D/VR-9560/9080 PARTS LIST

\* New Parts  
Parts without **Parts No.** are not supplied.  
Les articles non mentionnés dans le **Parts No.** ne sont pas fournis.  
Teile ohne **Parts No.** werden nicht geliefert.

15

Ref. No	Add-ress	New Parts	Parts No.	Description	Desti-nation	Re-marks
Q7 -10			2SC2631(R,S)	TRANSISTOR		
Q21 -24			2SA992(F,E)	TRANSISTOR		
Q25 ,26			2SA1123(R,S)	TRANSISTOR		
Q27 -30			2SC2631(R,S)	TRANSISTOR		
Q41			2SA992(F,E)	TRANSISTOR		
Q43			2SA992(F,E)	TRANSISTOR		
Q45			2SA1123(R,S)	TRANSISTOR		
Q47			2SC2631(R,S)	TRANSISTOR		
Q49			2SC2631(R,S)	TRANSISTOR		
Q302			DTC113ZSA	DIGITAL TRANSISTOR		
△ Q303			2SC3940A(R,S)	TRANSISTOR		
△ Q304			2SB1640	TRANSISTOR		
Q305			DTC143ZSA	DIGITAL TRANSISTOR		
△ Q306			2SB1640	TRANSISTOR		
△ Q307			2SD2525	TRANSISTOR		
Q308			2SA992(F,E)	TRANSISTOR		
Q309-312		*	KTC3200-P	TRANSISTOR		
Q313			DTC143ZSA	DIGITAL TRANSISTOR	E2	
Q313			DTC143ZSA	DIGITAL TRANSISTOR	E3E4E1	
Q331-335			2SC2878(B)-F	TRANSISTOR		
Q353-358			2SC1845(F,E)	TRANSISTOR		
Q359			2SA992(F,E)	TRANSISTOR		
Q360,361			2SC1845(F,E)	TRANSISTOR		
Q362			2SA992(F,E)	TRANSISTOR		
Q363,364			2SC1845(F,E)	TRANSISTOR		
Q365			2SA992(F,E)	TRANSISTOR		
Q602-604			2SC1845(F,E)	TRANSISTOR		
Q605,606			2SC2878(B)-F	TRANSISTOR		
Q607			2SA992(F,E)	TRANSISTOR		
△ Q610			2SD2012	TRANSISTOR		
Q611		*	KTC3199-P(Y,G)	TRANSISTOR	E1E2E3	
Q611		*	KTC3199-P(Y,G)	TRANSISTOR	E4X2X4	
Q611		*	KTC3199-P(Y,G)	TRANSISTOR	Y3Y4	
Q612		*	KTA1267-P(Y,G)	TRANSISTOR	E1E2E3	
Q612		*	KTA1267-P(Y,G)	TRANSISTOR	E4X2X4	
Q612		*	KTA1267-P(Y,G)	TRANSISTOR	Y3Y4	
<b>SUB (X13-7960-10)</b>						
C101-106			CC45FCH1H100D	CERAMIC	10PF	D
C107,108			CC45FSL1H820J	CERAMIC	82PF	J
C109			CC45FCH1H100D	CERAMIC	10PF	D
C110-115			CD04BJ1V330M	ELECTRO	33UF	35WV
C119-124			CK45FF1H103Z	CERAMIC	0.010UF	Z
C128-130			CC45FCH1H100D	CERAMIC	10PF	D
C131-133			CD04BJ1V330M	ELECTRO	33UF	35WV
C134-136			CK45FF1H103Z	CERAMIC	0.010UF	Z
C137			CD04BJ1E470M	ELECTRO	47UF	25WV
C138-140			CQ93FMG1H104J	MYLAR	0.10UF	J
C141			CC45FCH1H100D	CERAMIC	10PF	D
C142			CD04BJ1H100M	ELECTRO	10UF	50WV
C146			CD04BJ1H100M	ELECTRO	10UF	50WV
C147			CD04BJ1E470M	ELECTRO	47UF	25WV
C148			CQ93FMG1H104J	MYLAR	0.10UF	J
C150			CQ93FMG1H104J	MYLAR	0.10UF	J
C151,152			CD04BJ1H4R7M	ELECTRO	4.7UF	50WV

L : Scandinavia K : USA P : Canada R : Mexico C : China I : Malaysia  
Y : PX(Far East,Hawaii) T : England E : Europe G : Germany V : China(Shanghai)  
Y : AAFES(Europe) X : Australia Q : Russia H : Korea M : Other Areas △ indicates safety critical components .

\* New Parts  
Parts without **Parts No.** are not supplied.  
Les articles non mentionnés dans le **Parts No.** ne sont pas fournis.  
Teile ohne **Parts No.** werden nicht geliefert.

15

Ref. No	Add-ress	New Parts	Parts No.	Description	Desti-nation	Re-marks
C153,154			CD04BJ1E470M	ELECTRO	47UF	25WV
C155,156			CC45FSL1H820J	CERAMIC	82PF	J
C157,158			CD04BJ1H220M	ELECTRO	22UF	50WV
C159			CC73GCH1H050C	CHIP C	5.0PF	C
C161			CC73GCH1H050C	CHIP C	5.0PF	C
C169			CK73GB1H331K	CHIP C	330PF	K
C180,181			CC73GCH1H050C	CHIP C	5.0PF	C
C201			CD04BJ1H100M	ELECTRO	10UF	50WV
C201			CD04BJ1H100M	ELECTRO	10UF	50WV
C202			CK45FF1H103Z	CERAMIC	0.010UF	Z
C202			CK45FF1H103Z	CERAMIC	0.010UF	Z
C203			CQ93FMG1H683J	MYLAR	0.068UF	J
C203			CQ93FMG1H683J	MYLAR	0.068UF	J
C205,206			CK45FF1H103Z	CERAMIC	0.010UF	Z
C205,206			CK45FF1H103Z	CERAMIC	0.010UF	Z
C207			CD04BJ1A101M	ELECTRO	100UF	10WV
C207			CD04BJ1A101M	ELECTRO	100UF	10WV
C208			CD04BJ1A221M	ELECTRO	220UF	10WV
C208			CD04BJ1A221M	ELECTRO	220UF	10WV
C209			CK45FF1H103Z	CERAMIC	0.010UF	Z
C209			CK45FF1H103Z	CERAMIC	0.010UF	Z
C210			CC45FSL1H221J	CERAMIC	220PF	J
C210			CC45FSL1H221J	CERAMIC	220PF	J
C211-213			CC45FSL1H101J	CERAMIC	100PF	J
C211-213			CC45FSL1H101J	CERAMIC	100PF	J
C214,215			CK45FF1H103Z	CERAMIC	0.010UF	Z
C214,215			CK45FF1H103Z	CERAMIC	0.010UF	Z
C216			CD04BJ1H010M	ELECTRO	1.0UF	50WV
C216			CD04BJ1H010M	ELECTRO	1.0UF	50WV
C301-309			CC45FSL1H221J	CERAMIC	220PF	J
C301-309			CC45FSL1H221J	CERAMIC	220PF	J
C310			CC45FSL1H221J	CERAMIC	220PF	J
C311-313			CK45FB1H332K	CERAMIC	3300PF	K
C315-317			CC45FSL1H101J	CERAMIC	100PF	J
C401-406			CD04BJ1H220M	ELECTRO	22UF	50WV
C407,408			CK45FB1H471K	CERAMIC	470PF	K
C409,410			CC73GCH1H471J	CHIP C	470PF	J
C411,412			CK45FB1H471K	CERAMIC	470PF	K
C419			CD04BJ1E221M	ELECTRO	220UF	25WV
C420			CD04BJ1E101M	ELECTRO	100UF	25WV
C425,426			CC45FSL1H101J	CERAMIC	100PF	J
C427,428			CC73GCH1H100D	CHIP C	10PF	D
C429,430			CC45FCH1H100D	CERAMIC	10PF	D
C431-436			CD04BJ1E470M	ELECTRO	47UF	25WV
C431-436			CD04BJ1E470M	ELECTRO	47UF	25WV
C437,438			CD04AU1E220M	NP ELEC	22UF	25WV
C437,438			CD04AU1E220M	NP ELEC	22UF	25WV
C437,438			CD04AU1E220M	NP ELEC	22UF	25WV
C439			CD04BJ1E470M	ELECTRO	47UF	25WV
C439			CD04BJ1E470M	ELECTRO	47UF	25WV
C439			CD04BJ1E470M	ELECTRO	47UF	25WV
C440			CD04BJ1H100M	ELECTRO	10UF	50WV
C441,442			CD04BJ1A101M	ELECTRO	100UF	10WV

L : Scandinavia K : USA P : Canada R : Mexico C : China I : Malaysia  
Y : PX(Far East,Hawaii) T : England E : Europe G : Germany V : China(Shanghai)  
Y : AAFES(Europe) X : Australia Q : Russia H : Korea M : Other Areas △ indicates safety critical components .

PARTS LIST

KRF-V8090D/X9090D/VR-9560/9080

\* New Parts  
 Parts without **Parts No.** are not supplied.  
 Les articles non mentionnés dans le **Parts No.** ne sont pas fournis.  
 Teile ohne **Parts No.** werden nicht geliefert.

17

Ref. No	Add-ress	New Parts	Parts No.	Description	Desti-nation	Re-marks
C443-446			CD04BJ1H220M	ELECTRO 22UF 50WV		
C447			CD04BJ1H100M	ELECTRO 10UF 50WV	E3E4Y3	
C447			CD04BJ1H100M	ELECTRO 10UF 50WV	K5K6P5	
C447			CD04BJ1H100M	ELECTRO 10UF 50WV	P6Y4X4	
C448			CD04BJ2A3R3M	ELECTRO 3.3UF 100WV	E3E4Y3	
C448			CD04BJ2A3R3M	ELECTRO 3.3UF 100WV	K5K6P5	
C448			CD04BJ2A3R3M	ELECTRO 3.3UF 100WV	P6Y4X4	
C449,450			CD04BJ1H220M	ELECTRO 22UF 50WV		
C451			CD04BJ1E221M	ELECTRO 220UF 25WV		
C452			CD04BJ1H220M	ELECTRO 22UF 50WV		
C453,454			CK45FB1H471K	CERAMIC 470PF K		
C455			CD04AU1E220M	NP ELEC 22UF 25WV		
C457			CQ93FMG1H392J	MYLAR 3900PF J		
C458			CC45FCH1H100D	CERAMIC 10PF D		
C459			CC73GCH1H470J	CHIP C 47PF J		
C460,461			CC73GCH1H101J	CHIP C 100PF J		
C463,464			CD04BJ1E470M	ELECTRO 47UF 25WV	E3E4Y3	
C463,464			CD04BJ1E470M	ELECTRO 47UF 25WV	K5K6P5	
C463,464			CD04BJ1E470M	ELECTRO 47UF 25WV	P6Y4X4	
C468,469			CC73GCH1H070D	CHIP C 7.0PF D		
C536			CK73GB1H182K	CHIP C 1800PF K		
C538			CK73GB1H102K	CHIP C 1000PF K		
C540			CD04BJ1H220M	ELECTRO 22UF 50WV		
C544,545			CK73GB1H103K	CHIP C 0.010UF K		
C600			CD04BJ1H100M	ELECTRO 10UF 50WV		
C601-606			CC45FSL1H470J	CERAMIC 47PF J	E3E4Y3	
C607			CC45FSL1H470J	CERAMIC 47PF J	K5K6P5	
C607			CC45FSL1H470J	CERAMIC 47PF J	P6Y4X4	
C607			CC45FSL1H470J	CERAMIC 47PF J		
C608-611			CD04BJ1E470M	ELECTRO 47UF 25WV		
C612			CD04BJ1A101M	ELECTRO 100UF 10WV		
C613-615			CD04BJ1V330M	ELECTRO 33UF 35WV		
C616			CD04BJ1E470M	ELECTRO 47UF 25WV		
C617			CK73GB1H103K	CHIP C 0.010UF K		
C618			CD04BJ1H100M	ELECTRO 10UF 50WV		
C619			CD04BJ1V330M	ELECTRO 33UF 35WV		
C620			CD04BJ1H100M	ELECTRO 10UF 50WV		
C621			CK73GB1H104K	CHIP C 0.10UF K		
C622			CD04BJ1V330M	ELECTRO 33UF 35WV		
C625			CD04BJ1H0R1M	ELECTRO 0.1UF 50WV		
C626,627			CK73FB1C105K	CHIP C 1.0UF K		
C651-662			CC45FSL1H470J	CERAMIC 47PF J		
C663			CK45FF1H103Z	CERAMIC 0.010UF Z		
C664			CD04BJ1E470M	ELECTRO 47UF 25WV		
C665			CK45FF1H103Z	CERAMIC 0.010UF Z		
C666			CD04BJ1E470M	ELECTRO 47UF 25WV		
C667			CK45FF1H103Z	CERAMIC 0.010UF Z		
C668			CD04BJ1E470M	ELECTRO 47UF 25WV		
C669			CK45FF1H103Z	CERAMIC 0.010UF Z		
C670,671			CD04BJ1E470M	ELECTRO 47UF 25WV		
C672			CK45FF1H103Z	CERAMIC 0.010UF Z		
C673			CD04BJ1E470M	ELECTRO 47UF 25WV		
C674-677			CD04BJ1H100M	ELECTRO 10UF 50WV		
C678,679			CK73GB1H103K	CHIP C 0.010UF K		
C681			CD04BJ1A471M	ELECTRO 470UF 10WV		

L : Scandinavia K : USA P : Canada R : Mexico C : China I : Malaysia  
 Y : PX(Far East,Hawaii) T : England E : Europe G : Germany V : China(Shanghai)  
 Y : AAFES(Europe) X : Australia Q : Russia H : Korea M : Other Areas  $\Delta$  indicates safety critical components .

\* New Parts  
 Parts without **Parts No.** are not supplied.  
 Les articles non mentionnés dans le **Parts No.** ne sont pas fournis.  
 Teile ohne **Parts No.** werden nicht geliefert.

18

Ref. No	Add-ress	New Parts	Parts No.	Description	Desti-nation	Re-marks
C683			CK73GB1H103K	CHIP C 0.010UF K		
C693			CC45FSL1H101J	CERAMIC 100PF J		
C694			CK73GB1H103K	CHIP C 0.010UF K	K5K6K7	
C694			CK73GB1H103K	CHIP C 0.010UF K	K8P5P6	
C694			CK73GB1H103K	CHIP C 0.010UF K		P7P8
C699			CK73GB1H104K	CHIP C 0.10UF K		
C702-705			CD04BJ1H3R3M	ELECTRO 3.3UF 50WV		
C706,707			CC45FSL1H331J	CERAMIC 330PF J		
C708,709			CQ93FMG1H222J	MYLAR 2200PF J		
C710,711			CC45FCH1H050C	CERAMIC 5.0PF C		
C712			CC45FSL1H221J	CERAMIC 220PF J		
C713			CC45FSL1H101J	CERAMIC 100PF J		
C714,715			CD04BJ1A221M	ELECTRO 220UF 10WV		
C716,717			CC45FCH1H150J	CERAMIC 15PF J		
C718,719			CC45FSL1H151J	CERAMIC 150PF J		
C720			CK45FB1H102K	CERAMIC 1000PF K		
C721			CK45FB1H561K	CERAMIC 560PF K		
C722			CD04BJ1H220M	ELECTRO 22UF 50WV		
C724,725			CC45FSL2H470J	CERAMIC 47PF J		
C728			CK45FF1H472Z	CERAMIC 4700PF Z		
C730			C91-1573-05	MP-C 0.10UF J		K5K6K7
C730			C91-1573-05	MP-C 0.10UF J		K8P5P6
C730			C91-1573-05	MP-C 0.10UF J		P7P8
C730			C91-1577-05	MP-C 0.22UF J		E1E2E3
C730			C91-1577-05	MP-C 0.22UF J		E4X2X4
C730			C91-1577-05	MP-C 0.22UF J		Y3Y4
C732			C91-1577-05	MP-C 0.22UF J		E1E2E3
C732			C91-1577-05	MP-C 0.22UF J		E4X2X4
C732			C91-1577-05	MP-C 0.22UF J		Y3Y4
C733			CC45FSL1H101J	CERAMIC 100PF J		
C734			CK45FF1H103Z	CERAMIC 0.010UF Z		
CN301			E41-1435-05	FLAT CABLE CONNECTOR		
J61 ,62			E63-1384-05	PIN JACK		
J63			E63-1383-05	PIN JACK		E3E4Y3
J63			E63-1383-05	PIN JACK		K5K6P5
J63			E63-1383-05	PIN JACK		P6X4Y4
J65 -67			E56-0059-05	CYLINDRICAL RECEPTACLE		
J101			E63-1385-05	PIN JACK		
J102,103			E63-1386-05	PIN JACK		
J201		*	E11-0995-05	3.5D PHONE JACK(1P LF)		K5K6P5
J201		*	E11-0995-05	3.5D PHONE JACK(1P LF)		P6
J202			E11-0991-05	3.5D PHONE JACK(2P LF)		K5K6P5
J202			E11-0991-05	3.5D PHONE JACK(2P LF)		P6
J302			E63-1364-05	PIN JACK		E3E4Y3
J302			E63-1364-05	PIN JACK		K5K6P5
J302			E63-1364-05	PIN JACK		P6Y4X4
J303		*	E63-1399-05	PIN JACK		E3E4Y3
J303		*	E63-1399-05	PIN JACK		K5K6P5
J303		*	E63-1399-05	PIN JACK		P6Y4X4
J305			E63-1359-05	PIN JACK		E1E2X2
J305			E63-1359-05	PIN JACK		K7K8P7
J305			E63-1359-05	PIN JACK		P8
J502		*	E70-1016-05	SCREW TERMINAL BOARD		
C682			CK73GB1H104K	CHIP C 0.10UF K		

L : Scandinavia K : USA P : Canada R : Mexico C : China I : Malaysia  
 Y : PX(Far East,Hawaii) T : England E : Europe G : Germany V : China(Shanghai)  
 Y : AAFES(Europe) X : Australia Q : Russia H : Korea M : Other Areas  $\Delta$  indicates safety critical components .

**KRF-V8090D/X9090D/VR-9560/9080**  
**PARTS LIST**

\* New Parts  
Parts without **Parts No.** are not supplied.  
Les articles non mentionnés dans le **Parts No.** ne sont pas fournis.  
Teile ohne **Parts No.** werden nicht geliefert.

19

Ref. No	Add-ress	New Parts	Parts No.	Description	Desti-nation	Re-marks
L201			L40-1011-58	SMALL FIXED INDUCTOR(100UH,K)	K5K6P5	
L201			L40-1011-58	SMALL FIXED INDUCTOR(100UH,K)	P6	
L202			L92-0017-05	FERRITE CORE	K5K6P5	
L202			L92-0017-05	FERRITE CORE	P6	
L502			L76-0018-05	DELAY LINE	K5K6K7	
L502			L76-0018-05	DELAY LINE	K8P5P6	
L502			L76-0018-05	DELAY LINE	P7P8	
L503			L76-0019-05	DELAY LINE	E1E2E3	
L503			L76-0019-05	DELAY LINE	E4X2X4	
L503			L76-0019-05	DELAY LINE	Y3Y4	
L504			L79-1262-05	LC FILTER	E1E2E3	
L504			L79-1262-05	LC FILTER	E4X2X4	
L504			L79-1262-05	LC FILTER	Y3Y4	
L702			L39-1631-05	PHASE COMPENSATION COIL		
R1 -12			RK73GB2A000JK	CHIP R	0	J 1/10W
R70 -77			RK73GB2A000JK	CHIP R	0	J 1/10W
R80 -86			RK73GB2A000JK	CHIP R	0	J 1/10W
R87			RK73FB2B000JK	CHIP R	0	J 1/8W
R88 -90			RK73GB2A000JK	CHIP R	0	J 1/10W
R91			RK73FB2B000JK	CHIP R	0	J 1/8W
△ R124,125			RD14BB2C1R0J	RD	1	J 1/6W
R159,160			RK73GB2A391J	CHIP R	390	J 1/10W
R177,178			RK73GB2A101J	CHIP R	100	J 1/10W
R180,181			RK73GB2A301J	CHIP R	300	J 1/10W
R182,183			RK73GB2A330J	CHIP R	33	J 1/10W
△ R205			RD14BB2C101J	RD	100	J 1/6W
△ R205			RD14BB2C101J	RD	100	J 1/6W
R213,214			RD14NB2E471J	RD	470	J 1/4W
R213,214			RD14NB2E471J	RD	470	J 1/4W
R217			RD14NB2E471J	RD	470	J 1/4W
R217			RD14NB2E471J	RD	470	J 1/4W
R403,404			RK73GB2A223J	CHIP R	22K	J 1/10W
R409,410			RK73GB2A622J	CHIP R	6.2K	J 1/10W
R409,410			RK73GB2A622J	CHIP R	6.2K	J 1/10W
R409,410			RK73GB2A622J	CHIP R	6.2K	J 1/10W
R415,416			RK73GB2A473J	CHIP R	47K	J 1/10W
R421,422			RK73GB2A220J	CHIP R	22	J 1/10W
△ R425			RD14NB2E561J	RD	560	J 1/4W
R426,427			RK73GB2A102J	CHIP R	1.0K	J 1/10W
R426,427			RK73GB2A102J	CHIP R	1.0K	J 1/10W
R426,427			RK73GB2A102J	CHIP R	1.0K	J 1/10W
R428			RK73GB2A102J	CHIP R	1.0K	J 1/10W
R429			RK73GB2A103J	CHIP R	10K	J 1/10W
R430,431			RK73GB2A103J	CHIP R	10K	J 1/10W
R430,431			RK73GB2A103J	CHIP R	10K	J 1/10W
R432			RK73GB2A102J	CHIP R	1.0K	J 1/10W
R432			RK73GB2A102J	CHIP R	1.0K	J 1/10W
R432			RK73GB2A102J	CHIP R	1.0K	J 1/10W
△ R434			RD14NB2E150J	RD	15	J 1/4W
R443,444			RK73GB2A183J	CHIP R	18K	J 1/10W
△ R450			RD14NB2E561J	RD	560	J 1/4W
△ R450			RD14NB2E561J	RD	560	J 1/4W
△ R450			RD14NB2E561J	RD	560	J 1/4W

L : Scandinavia    K : USA    P : Canada    R : Mexico    C : China    I : Malaysia  
Y : PX(Far East,Hawaii)    T : England    E : Europe    G : Germany    V : China(Shanghai)  
Y : AAFES(Europe)    X : Australia    Q : Russia    H : Korea    M : Other Areas    △ indicates safety critical components .

\* New Parts  
Parts without **Parts No.** are not supplied.  
Les articles non mentionnés dans le **Parts No.** ne sont pas fournis.  
Teile ohne **Parts No.** werden nicht geliefert.

20

Ref. No	Add-ress	New Parts	Parts No.	Description	Desti-nation	Re-marks
△ R451			RD14NB2E102J	RD	1.0K	J 1/4W
△ R451			RD14NB2E102J	RD	1.0K	J 1/4W
△ R451			RD14NB2E102J	RD	1.0K	J 1/4W
△ R452			RD14NB2E150J	RD	15	J 1/4W
R456			RK73GB2A473J	CHIP R	47K	J 1/10W
R466,467			RK73GB2A100J	CHIP R	10	J 1/10W
R468			RK73GB2A181J	CHIP R	180	J 1/10W
R469			RK73GB2A161J	CHIP R	160	J 1/10W
R529			RK73GB2A103J	CHIP R	10K	J 1/10W
R530			RK73GB2A223J	CHIP R	22K	J 1/10W
R532			RK73GB2A332J	CHIP R	3.3K	J 1/10W
R534			RK73GB2A562J	CHIP R	5.6K	J 1/10W
R536			RK73GB2A103J	CHIP R	10K	J 1/10W
R539			RK73GB2A223J	CHIP R	22K	J 1/10W
R540			RK73GB2A103J	CHIP R	10K	J 1/10W
R542			RK73GB2A104J	CHIP R	100K	J 1/10W
R545			RK73GB2A101J	CHIP R	100	J 1/10W
R546			RK73GB2A474J	CHIP R	470K	J 1/10W
R549			RK73GB2A183J	CHIP R	18K	J 1/10W
R550			RK73GB2A103J	CHIP R	10K	J 1/10W
R552			RK73GB2A363J	CHIP R	36K	J 1/10W
R554			RK73GB2A103J	CHIP R	10K	J 1/10W
R556			RK73GB2A472J	CHIP R	4.7K	J 1/10W
R561,562			RK73GB2A104J	CHIP R	100K	J 1/10W
R563,564			RK73GB2A102J	CHIP R	1.0K	J 1/10W
R600			RK73GB2A101J	CHIP R	100	J 1/10W
R611,612			RK73GB2A101J	CHIP R	100	J 1/10W
R613			RK73GB2A105J	CHIP R	1.0M	J 1/10W
△ R617			RS14KB3A150J	FL-PROOF RS	15	J 1W
R621-623			RK73GB2A104J	CHIP R	100K	J 1/10W
△ R624			RS14KB3A150J	FL-PROOF RS	15	J 1W
R625-628			RK73EB2E1R0J	CHIP R	1	J 1/4W
R667			RK73GB2A104J	CHIP R	100K	J 1/10W
△ R671			RS14KB3A150J	FL-PROOF RS	15	J 1W
△ R674			RS14KB3A470J	FL-PROOF RS	47	J 1W
R695			RK73GB2A101J	CHIP R	100	J 1/10W
R699			RK73GB2A105J	CHIP R	1.0M	J 1/10W
R723,724			RD14NB2E221J	RD	220	J 1/4W
R725,726			RD14NB2E562J	RD	5.6K	J 1/4W
R727,728			RD14NB2E331J	RD	330	J 1/4W
R729,730			RD14NB2E221J	RD	220	J 1/4W
R746			RD14NB2E330J	RD	33	J 1/4W
R748			RS14KB3D4R7J	FL-PROOF RS	4.7	J 2W
R752			RS14KB3D182J	FL-PROOF RS	1.8K	J 2W
R756			RD14NB2E470J	RD	47	J 1/4W
R758			RD14NB2E470J	RD	47	J 1/4W
R760			RD14NB2E221J	RD	220	J 1/4W
VR702			R32-0118-05	SEMI FIXED VARIABLE RESISTOR		
K702			S76-0098-05	MAGNETIC RELAY		
D100,101			MTZJ5.6(B)	ZENER DIODE		
D155-157			MTZJ7.5(B)	ZENER DIODE		
D158-161			UDZS3.9B	ZENER DIODE		
△ D201-206			1SS133	DIODE		K5K6P5
△ D201-206			1SS133	DIODE		P6

L : Scandinavia    K : USA    P : Canada    R : Mexico    C : China    I : Malaysia  
Y : PX(Far East,Hawaii)    T : England    E : Europe    G : Germany    V : China(Shanghai)  
Y : AAFES(Europe)    X : Australia    Q : Russia    H : Korea    M : Other Areas    △ indicates safety critical components .



\* New Parts

Parts without **Parts No.** are not supplied.

Les articles non mentionnés dans le **Parts No.** ne sont pas fournis.

Teile ohne **Parts No.** werden nicht geliefert.

21

Ref. No	Add-ress	New Parts	Parts No.	Description	Desti-nation	Re-marks
D401			MTZJ3.9(B)	ZENER DIODE		
D402			MTZJ5.1(B)	ZENER DIODE	E3E4Y3	
D402			MTZJ5.1(B)	ZENER DIODE	K5K6P5	
D402			MTZJ5.1(B)	ZENER DIODE	P6Y4X4	
D503			DA204U	DIODE		
D652			1SS133	DIODE		
D655,656			MTZJ5.6(B)	ZENER DIODE		
D701-704			1SS133	DIODE		
D706			1SS244	DIODE		
D708			1SS133	DIODE		
D710			1SS133	DIODE		
IC3			BU4066BC	ANALOGUE IC		
IC6			RC4580IP	ANALOGUE IC		
IC11		*	NJM2586AM-ZB	ANALOGUE IC		
IC65			LA79510M	ANALOGUE IC		
IC66			NJM2284V	ANALOGUE IC		
IC68,69			NJM2575	ANALOGUE IC		
△ IC201			BA05T	ANALOGUE IC	K5K6P5	
△ IC201			BA05T	ANALOGUE IC	P6	
△ IC401-404			RC4580IP	ANALOGUE IC		
IC507			BA4560F	ANALOGUE IC		
IC508			BA7623F	ANALOGUE IC		
△ Q65			2SD2525	TRANSISTOR		
△ Q66			2SB1640	TRANSISTOR		
△ Q100			2SA954(L,K)	TRANSISTOR		
△ Q101			2SC2003(L,K)	TRANSISTOR		
Q158,159		*	KRC103M-P	DIGITAL TRANSISTOR		
Q201		*	KRC103M-P	DIGITAL TRANSISTOR	K5K6P5	
Q201		*	KRC103M-P	DIGITAL TRANSISTOR	P6	
Q202,203			2SC1740S(Q,R)	TRANSISTOR	K5K6P5	
Q202,203			2SC1740S(Q,R)	TRANSISTOR	P6	
Q204			2SA933AS(Q,R)	TRANSISTOR	K5K6P5	
Q204			2SA933AS(Q,R)	TRANSISTOR	P6	
Q301-309			2SC2878(B)-F	TRANSISTOR	E3E4Y3	
Q301-309			2SC2878(B)-F	TRANSISTOR	K5K6P5	
Q301-309			2SC2878(B)-F	TRANSISTOR	P6Y4X4	
Q310			2SC2878(B)-F	TRANSISTOR		
Q311-319			2SC2878(B)-F	TRANSISTOR	E3E4Y3	
Q311-319			2SC2878(B)-F	TRANSISTOR	K5K6P5	
Q311-319			2SC2878(B)-F	TRANSISTOR	P6Y4X4	
Q320			2SC2878(B)-F	TRANSISTOR		
Q401,402			DTA124EUA	DIGITAL TRANSISTOR	E3E4Y3	
Q401,402			DTA124EUA	DIGITAL TRANSISTOR	K5K6P5	
Q401,402			DTA124EUA	DIGITAL TRANSISTOR	P6Y4X4	
Q403-408			2SC2878(B)-F	TRANSISTOR	E3E4Y3	
Q403-408			2SC2878(B)-F	TRANSISTOR	K5K6P5	
Q403-408			2SC2878(B)-F	TRANSISTOR	P6Y4X4	
Q409		*	KRA103M-P	DIGITAL TRANSISTOR	E3E4Y3	
Q409		*	KRA103M-P	DIGITAL TRANSISTOR	K5K6P5	
Q409		*	KRA103M-P	DIGITAL TRANSISTOR	P6Y4X4	
Q410			DTA124EUA	DIGITAL TRANSISTOR		
Q411,412			2SC2878(B)-F	TRANSISTOR	E3E4Y3	
Q411,412			2SC2878(B)-F	TRANSISTOR	K5K6P5	
Q411,412			2SC2878(B)-F	TRANSISTOR	P6Y4X4	
Q501,502			2SC4213(B)-F	TRANSISTOR		

L : Scandinavia K : USA P : Canada R : Mexico C : China I : Malaysia  
 Y : PX(Far East,Hawaii) T : England E : Europe G : Germany V : China(Shanghai)  
 Y : AAFES(Europe) X : Australia Q : Russia H : Korea M : Other Areas △ indicates safety critical components.

\* New Parts

Parts without **Parts No.** are not supplied.

Les articles non mentionnés dans le **Parts No.** ne sont pas fournis.

Teile ohne **Parts No.** werden nicht geliefert.

22

Ref. No	Add-ress	New Parts	Parts No.	Description	Desti-nation	Re-marks
Q512			2SC4081(R,S)	TRANSISTOR		
Q701,702			2SC2878(B)-F	TRANSISTOR		
Q703-706			2SA992(F,E)	TRANSISTOR		
Q707,708			2SC2631(R,S)	TRANSISTOR		
Q709,710			2SA1123(R,S)	TRANSISTOR		
Q711,712			2SC2631(R,S)	TRANSISTOR		
Q714			2SC1845(F,E)	TRANSISTOR		
Q716		*	KTC3200-P	TRANSISTOR		
<b>DISPLAY (X14-7900-13 / X14-7980-10)</b>						
D734			B30-2545-05	LED(RED3(160))		
D741-745			B30-2545-05	LED(RED3(160))	K5K6P5	
D741-745			B30-2545-05	LED(RED3(160))	K7K8P7	
D741-745			B30-2545-05	LED(RED3(160))	P6P8X2	
D741-745			B30-2545-05	LED(RED3(160))	Y3Y4X4	
D741-745			B30-2651-05	LED(RED,D3,40DEG.)	E2	
D741-745			B30-2651-05	LED(RED,D3,40DEG.)	E3E4E1	
D753			B30-2651-05	LED(RED,D3,40DEG.)		
D755			B30-2545-05	LED(RED3(160))	K5K6P5	
D755			B30-2545-05	LED(RED3(160))	K7K8P7	
D755			B30-2545-05	LED(RED3(160))	P6P8X2	
D755			B30-2545-05	LED(RED3(160))	Y3Y4X4	
D755			B30-2651-05	LED(RED,D3,40DEG.)	E2	
D755			B30-2651-05	LED(RED,D3,40DEG.)	E3E4E1	
C101			CC45FCH1H101J	CERAMIC	100PF	J
C103			CK73GB1H103K	CHIP C	0.010UF	K
C104			CC73GCH1H101J	CHIP C	100PF	J
C105			CC45FCH1H101J	CERAMIC	100PF	J
C105			CC45FCH1H101J	CERAMIC	100PF	J
C401			CK45FE2H103P	CERAMIC	0.010UF	P
C402			CD04BJ1E222M1	ELECTRO	2200UF	25WV
C402			CD04BJ1E222M1	ELECTRO	2200UF	25WV
C402			CD04BJ1E222M1	ELECTRO	2200UF	25WV
C402			CD04BJ1E222M1	ELECTRO	2200UF	25WV
C402		*	CD04BJ1E222M1	ELECTRO	2200UF	25WV
C402			CD04BJ1V222M1	ELECTRO	2200UF	35WV
C403			CD04BJ1E102M1	ELECTRO	1000UF	25WV
C403			CD04BJ1E102M1	ELECTRO	1000UF	25WV
C403			CD04BJ1E102M1	ELECTRO	1000UF	25WV
C403		*	CD04BJ1E102M1	ELECTRO	1000UF	25WV
C403			CD04BJ1E102M1	ELECTRO	1000UF	25WV
C403			CD04BJ1V102M1	ELECTRO	1000UF	35WV
C404-407			CK73GB1H103K	CHIP C	0.010UF	K
C408,409			CD04BJ1E470M	ELECTRO	47UF	25WV
C410			CC73GCH1H680J	CHIP C	68PF	J
C411			CC73GCH1H820J	CHIP C	82PF	J
C451			CK45FF1H103Z	CERAMIC	0.010UF	Z
C452			CQ93FMG1H104J	MYLAR	0.10UF	J
C452			CQ93FMG1H104J	MYLAR	0.10UF	J
C452			CQ93FMG1H104J	MYLAR	0.10UF	J
C452			CQ93FMG1H393J	MYLAR	0.039UF	J
C452			CQ93FMG1H393J	MYLAR	0.039UF	J
C452			CQ93FMG1H473J	MYLAR	0.047UF	J
C452			CQ93FMG1H683J	MYLAR	0.068UF	J

L : Scandinavia K : USA P : Canada R : Mexico C : China I : Malaysia  
 Y : PX(Far East,Hawaii) T : England E : Europe G : Germany V : China(Shanghai)  
 Y : AAFES(Europe) X : Australia Q : Russia H : Korea M : Other Areas △ indicates safety critical components.

KRF-V8090D/X9090D/VR-9560/9080  
PARTS LIST

\* New Parts  
Parts without **Parts No.** are not supplied.  
Les articles non mentionnés dans le **Parts No.** ne sont pas fournis.  
Teile ohne **Parts No.** werden nicht geliefert.

23

Ref. No	Add-ress	New Parts	Parts No.	Description	Desti-nation	Re-marks
C453			CD04BJ1C332M1	ELECTRO 3300UF 16WV	K5K6P5	
C453			CD04BJ1C332M1	ELECTRO 3300UF 16WV	K7K8P7	
C453			CD04BJ1C332M1	ELECTRO 3300UF 16WV	P6P8	
C453			CD04BJ1E332M1	ELECTRO 3300UF 25WV	E1E2E3	
C453			CD04BJ1E332M1	ELECTRO 3300UF 25WV	E4X2X4	
C453			CD04BJ1E332M1	ELECTRO 3300UF 25WV	Y3Y4	
C454			CD04BJ1H100M	ELECTRO 10UF 50WV		
C455			CD04BJ1A222M1	ELECTRO 2200UF 10WV	Y3Y4	
C456,457			CK45FF1H103Z	CERAMIC 0.010UF Z		
C458			CD04BJ1H100M	ELECTRO 10UF 50WV		
C459			CD04BJ1H010M	ELECTRO 1.0UF 50WV		
C501-504			CC73GCH1H101J	CHIP C 100PF J		
C505,506			CK73GB1H102K	CHIP C 1000PF K		
C507,508			CC73GCH1H101J	CHIP C 100PF J		
C509			CC73GCH1H471J	CHIP C 470PF J		
C510,511			CC73GCH1H101J	CHIP C 100PF J		
C515			CC73GCH1H221J	CHIP C 220PF J		
C516			CK73FB0J106K	CHIP C 10UF K		
C517			CC73GCH1H221J	CHIP C 220PF J		
C518			CC73GCH1H561J	CHIP C 560PF J		
C519			CD04BJ1H101M	ELECTRO 100UF 50WV		
C520			CC73GCH1H220J	CHIP C 22PF J		
C521			CK73GB1H152K	CHIP C 1500PF K	K5K6P5	
C521			CK73GB1H152K	CHIP C 1500PF K	K7K8P7	
C521			CK73GB1H152K	CHIP C 1500PF K	P6P8	
C522,523			CK73GB1H102K	CHIP C 1000PF K		
C524			CC73GCH1H471J	CHIP C 470PF J		
C536			CK73GB1H182K	CHIP C 1800PF K		
C538			CK73GB1H102K	CHIP C 1000PF K		
C540			CD04BJ1H220M	ELECTRO 22UF 50WV		
C544,545			CK73GB1H103K	CHIP C 0.010UF K		
C550			CK73GB1A105K	CHIP C 1.0UF K		
C701			CC73GCH1H221J	CHIP C 220PF J		
C702			CD04BJ1H101M	ELECTRO 100UF 50WV		
C703,704			CK73GB1H102K	CHIP C 1000PF K		
C705			CC73GCH1H181J	CHIP C 180PF J		
C741			CK73EB1E105K	CHIP C 1.0UF K		
C761-766			CK73GB1H103K	CHIP C 0.010UF K		
C777			CK45FB1H102K	CERAMIC 1000PF K		
C778			CC45FCH1H101J	CERAMIC 100PF J		
C779			CD04BJ1A101M	ELECTRO 100UF 10WV		
C780			CC73GCH1H270J	CHIP C 27PF J		
C791			CD04AT0J470M	ELECTRO 47UF 6.3WV		
C792			CD04BJ1H220M	ELECTRO 22UF 50WV		
C793,794			CK45FF1H103Z	CERAMIC 0.010UF Z		
C811			CK45FF1H103Z	CERAMIC 0.010UF Z	E1E2X2	
C811			CK45FF1H103Z	CERAMIC 0.010UF Z	E3E4X4	
C812,813			CC45FCH1H270J	CERAMIC 27PF J	E1E2X2	
C812,813			CC45FCH1H270J	CERAMIC 27PF J	E3E4X4	
C814			CC45FCH1H101J	CERAMIC 100PF J	E1E2X2	
C814			CC45FCH1H101J	CERAMIC 100PF J	E3E4X4	
C815			CD04BJ1E470M	ELECTRO 47UF 25WV	E1E2X2	
C815			CD04BJ1E470M	ELECTRO 47UF 25WV	E3E4X4	
C816			CK45FB1H561K	CERAMIC 560PF K	E1E2X2	
C816			CK45FB1H561K	CERAMIC 560PF K	E3E4X4	

L : Scandinavia K : USA P : Canada R : Mexico C : China I : Malaysia  
Y : PX(Far East,Hawaii) T : England E : Europe G : Germany V : China(Shanghai)  
Y : AAFES(Europe) X : Australia Q : Russia H : Korea M : Other Areas  $\Delta$  indicates safety critical components.

\* New Parts  
Parts without **Parts No.** are not supplied.  
Les articles non mentionnés dans le **Parts No.** ne sont pas fournis.  
Teile ohne **Parts No.** werden nicht geliefert.

24

Ref. No	Add-ress	New Parts	Parts No.	Description	Desti-nation	Re-marks
C817			CK45FF1H103Z	CERAMIC 0.010UF Z	E1E2X2	
C817			CK45FF1H103Z	CERAMIC 0.010UF Z	E3E4X4	
C818			CC73GCH1H271J	CHIP C 270PF J	E1E2X2	
C818			CC73GCH1H271J	CHIP C 270PF J	E3E4X4	
C819			CD04BJ1H2R2M	ELECTRO 2.2UF 50WV	E1E2X2	
C819			CD04BJ1H2R2M	ELECTRO 2.2UF 50WV	E3E4X4	
C831			CK45FF1H103Z	CERAMIC 0.010UF Z	Y3Y4	
C832			CD04BJ1H2R2M	ELECTRO 2.2UF 50WV	Y3Y4	
C833			CK45FF1H103Z	CERAMIC 0.010UF Z	Y3Y4	
C841			CD04BJ0J102M	ELECTRO 1000UF 6.3WV	K5K6P5	
C841			CD04BJ0J102M	ELECTRO 1000UF 6.3WV	K7K8P7	
C841			CD04BJ0J102M	ELECTRO 1000UF 6.3WV	P6P8	
C842			C90-5647-05	ELECTRO 0.047F 5.5WV	E1E2E3	
C842			C90-5647-05	ELECTRO 0.047F 5.5WV	E4X2X4	
C842			C90-5647-05	ELECTRO 0.047F 5.5WV	Y3Y4	
C843			CD04BJ1H010M	ELECTRO 1.0UF 50WV		
C844			CK45FF1H103Z	CERAMIC 0.010UF Z		
C845			CK73GB1H103K	CHIP C 0.010UF K		
C851			CD04BJ1H100M	ELECTRO 10UF 50WV		
C852			CC45FSL1H221J	CERAMIC 220PF J		
C853-855			CC73GCH1H221J	CHIP C 220PF J		
C856,857			CK45FF1H103Z	CERAMIC 0.010UF Z		
C858			CD04BJ1A101M	ELECTRO 100UF 10WV		
C907			CK73GB1H103K	CHIP C 0.010UF K		
C908			CK45FF1H103Z	CERAMIC 0.010UF Z		
C909			CK73GB1H103K	CHIP C 0.010UF K	Y3Y4	
$\Delta$ J2			E03-0515-05	AC OUTLET	K5K6P5	
$\Delta$ J2			E03-0515-05	AC OUTLET	K7K8P7	
$\Delta$ J2			E03-0515-05	AC OUTLET	P6P8	
$\Delta$ J2			E03-0515-05	AC OUTLET	Y3Y4	
$\Delta$ J3			E03-0398-05	AC OUTLET	E2	
$\Delta$ J3			E03-0398-05	AC OUTLET	E3E4E1	
$\Delta$ J5			E03-0325-05	AC OUTLET	X4X2	
J20			E63-1388-05	PIN JACK		
J21			E56-0060-05	CYLINDRICAL RECEPTACLE		
J64			E11-0983-05	PHONE JACK (AU PLATE BLAC)		
$\Delta$ F1			F05-4025-05	FUSE (SEMKO) (250V T4A L)	E1E2E3	
$\Delta$ F1			F05-4025-05	FUSE (SEMKO) (250V T4A L)	E4X2X4	
$\Delta$ F1			F05-4025-05	FUSE (SEMKO) (250V T4A L)	Y3Y4	
$\Delta$ F1			F50-0078-05	FUSE(5X20)	K5K6P5	
$\Delta$ F1			F50-0078-05	FUSE(5X20)	K7K8P7	
$\Delta$ F1			F50-0078-05	FUSE(5X20)	P6P8	
$\Delta$ F2			F06-1022-05	FUSE (SEMKO) (250V T1AL)	E1E2E3	
$\Delta$ F2			F06-1022-05	FUSE (SEMKO) (250V T1AL)	E4X2X4	
$\Delta$ F2			F06-1022-05	FUSE (SEMKO) (250V T1AL)	Y3Y4	
$\Delta$ F2		*	F50-0220-05	FUSE(5X20)	K5K6P5	
$\Delta$ F2		*	F50-0220-05	FUSE(5X20)	K7K8P7	
$\Delta$ F2		*	F50-0220-05	FUSE(5X20)	P6P8	
$\Delta$ F3		*	F05-4025-05	FUSE (SEMKO) (250V T4A L)	Y3Y4	
CN3 ,4			J13-0075-05	FUSE CLIP	Y3Y4	
CN11,12			J13-0075-05	FUSE CLIP		
CN21,22			J13-0075-05	FUSE CLIP	E1E2E3	
CN21,22			J13-0075-05	FUSE CLIP	E4X2X4	
CN21,22			J13-0075-05	FUSE CLIP	K7K8P7	

L : Scandinavia K : USA P : Canada R : Mexico C : China I : Malaysia  
Y : PX(Far East,Hawaii) T : England E : Europe G : Germany V : China(Shanghai)  
Y : AAFES(Europe) X : Australia Q : Russia H : Korea M : Other Areas  $\Delta$  indicates safety critical components.

\* New Parts  
 Parts without **Parts No.** are not supplied.  
 Les articles non mentionnés dans le **Parts No.** ne sont pas fournis.  
 Teile ohne **Parts No.** werden nicht geliefert.

25

Ref. No	Add-ress	New Parts	Parts No.	Description	Desti-nation	Re-marks
CN21,22			J13-0075-05	FUSE CLIP	P8	
CN21,22			J13-0075-05	FUSE CLIP	Y3Y4	
E701			J11-0899-05	WIRE CLAMPER		
E702,703			J11-0898-05	WIRE CLAMPER		
L500			L92-0017-05	FERRITE CORE	K5K6P5	
L500			L92-0017-05	FERRITE CORE	K7K8P7	
L500			L92-0017-05	FERRITE CORE	P6P8	
△ T1			L07-2758-05	POWER TRANSFORMER	X4X2	
△ T1			L07-2761-05	POWER TRANSFORMER	E2	
△ T1			L07-2761-05	POWER TRANSFORMER	E3E4E1	
△ T1			L07-2805-05	POWER TRANSFORMER	Y3Y4	
△ T1			L07-2809-05	POWER TRANSFORMER	K5K6P5	
△ T1			L07-2809-05	POWER TRANSFORMER	K7K8P7	
△ T1			L07-2809-05	POWER TRANSFORMER	P6P8	
X701			L78-0725-05	RESONATOR (8.38MHZ)		
X811			L77-2002-05	CRYSTAL RESONATOR(4.332MHZ)	E1E2X2	
X811			L77-2002-05	CRYSTAL RESONATOR(4.332MHZ)	E3E4X4	
R1 ,2			RK73GB2A000JK	CHIP R 0 J 1/10W		
R11 ,12			RK73EB2E000JK	CHIP R 0 J 1/4W		
R51			RK73GB2A000JK	CHIP R 0 J 1/10W		
R120			RK73GB2A102J	CHIP R 1.0K J 1/10W		
△ R410			RS14KB3D181J	FL-PROOF RS 180 J 2W		
△ R453			RD14NB2E1R0J	RD 1 J 1/4W		
△ R454			RD14NB2E150J	RD 15 J 1/4W	Y3Y4	
△ R454			RD14NB2E270J	RD 27 J 1/4W	E1E2X2	
△ R454			RD14NB2E270J	RD 27 J 1/4W	E3E4X4	
△ R454			RD14NB2E270J	RD 27 J 1/4W	K5K6P5	
△ R454			RD14NB2E270J	RD 27 J 1/4W	K7K8P7	
△ R454			RD14NB2E270J	RD 27 J 1/4W	P6P8	
△ R457			R92-1844-05	CARBON 3.3M J 1/2W	K5K6P5	
△ R457			R92-1844-05	CARBON 3.3M J 1/2W	K7K8P7	
△ R457			R92-1844-05	CARBON 3.3M J 1/2W	P6P8	
△ R458			RD14NB2E120J	RD 12 J 1/4W	Y3Y4	
R501,502			RK73GB2A101J	CHIP R 100 J 1/10W		
R503,504			RK73GB2A104J	CHIP R 100K J 1/10W		
R505			RK73GB2A750J	CHIP R 75 J 1/10W		
R506			RK73GB2A101J	CHIP R 100 J 1/10W		
R507,508			RK73GB2A750J	CHIP R 75 J 1/10W		
R509,510			RK73GB2A101J	CHIP R 100 J 1/10W		
R514			RK73GB2A222J	CHIP R 2.2K J 1/10W		
R515			RK73GB2A102J	CHIP R 1.0K J 1/10W		
R516			RK73GB2A473J	CHIP R 47K J 1/10W		
R517			RK73GB2A563J	CHIP R 56K J 1/10W		
R518			RK73GB2A391J	CHIP R 390 J 1/10W		
R521			RK73GB2A100J	CHIP R 10 J 1/10W		
R521			RK73GB2A100J	CHIP R 10 J 1/10W	K5K6P5	
R521			RK73GB2A100J	CHIP R 10 J 1/10W	K7K8P7	
R521			RK73GB2A100J	CHIP R 10 J 1/10W	P6P8	
R530			RK73GB2A1R0J	CHIP R 1 J 1/10W		
R531,532			RK73GB2A102J	CHIP R 1.0K J 1/10W		
R533			RK73GB2A103J	CHIP R 10K J 1/10W		
R534			RK73GB2A223J	CHIP R 22K J 1/10W		
R535			RK73GB2A562J	CHIP R 5.6K J 1/10W		
R536,537			RK73GB2A103J	CHIP R 10K J 1/10W		
R538			RK73GB2A223J	CHIP R 22K J 1/10W		

L : Scandinavia K : USA P : Canada R : Mexico C : China I : Malaysia  
 Y : PX(Far East,Hawaii) T : England E : Europe G : Germany V : China(Shanghai)  
 Y : AAFES(Europe) X : Australia Q : Russia H : Korea M : Other Areas △ indicates safety critical components .

\* New Parts  
 Parts without **Parts No.** are not supplied.  
 Les articles non mentionnés dans le **Parts No.** ne sont pas fournis.  
 Teile ohne **Parts No.** werden nicht geliefert.

26

Ref. No	Add-ress	New Parts	Parts No.	Description	Desti-nation	Re-marks
R539			RK73GB2A104J	CHIP R 100K J 1/10W		
R540			RK73GB2A101J	CHIP R 100 J 1/10W		
R541			RK73GB2A474J	CHIP R 470K J 1/10W		
R542			RK73GB2A183J	CHIP R 18K J 1/10W		
R543,544			RK73GB2A103J	CHIP R 10K J 1/10W		
R545			RK73GB2A222J	CHIP R 2.2K J 1/10W		
R776			RD14NB2E100J	RD 10 J 1/4W		
R779			RK73GB2A333J	CHIP R 33K J 1/10W		
R780			RD14NB2E100J	RD 10 J 1/4W		
R782			RK73GB2A303J	CHIP R 30K J 1/10W		
R801,802			RK73GB2A331J	CHIP R 330 J 1/10W		
R803			RK73GB2A104J	CHIP R 100K J 1/10W		
R805			RK73GB2A104J	CHIP R 100K J 1/10W		
R807,808			RK73GB2A103J	CHIP R 10K J 1/10W		
R834			RD14NB2E332J	RD 3.3K J 1/4W	Y3Y4	
R847			RK73GB2A101J	CHIP R 100 J 1/10W		
R894			RK73GB2A101J	CHIP R 100 J 1/10W		
R896-898			RK73GB2A101J	CHIP R 100 J 1/10W		
R910,911			RK73GB2A104J	CHIP R 100K J 1/10W		
R915			RK73GB2A101J	CHIP R 100 J 1/10W		
R922-924			RK73GB2A101J	CHIP R 100 J 1/10W		
R926			RK73GB2A101J	CHIP R 100 J 1/10W		
R935			RK73GB2A101J	CHIP R 100 J 1/10W		
R938,939			RK73GB2A101J	CHIP R 100 J 1/10W		
R941-945			RK73GB2A101J	CHIP R 100 J 1/10W		
R951,952			RK73GB2A104J	CHIP R 100K J 1/10W		
R954			RK73GB2A104J	CHIP R 100K J 1/10W		
R955,956			RK73GB2A101J	CHIP R 100 J 1/10W		
R967-969			RK73GB2A104J	CHIP R 100K J 1/10W		
R970			RK73GB2A153J	CHIP R 15K J 1/10W		
R971,972			RK73GB2A104J	CHIP R 100K J 1/10W		
R974,975			RK73GB2A104J	CHIP R 100K J 1/10W		
△ R977			RK73GB2A123J	CHIP R 12K J 1/10W	Y3Y4	
△ R977			RK73GB2A273J	CHIP R 27K J 1/10W	E1E2X2	
△ R977			RK73GB2A273J	CHIP R 27K J 1/10W	E3E4X4	
R993			RK73GB2A101J	CHIP R 100 J 1/10W		
R997			RD14NB2E1R0J	RD 1 J 1/4W		
R999			RK73GB2A472J	CHIP R 4.7K J 1/10W		
△ K451			S76-0107-05	MAGNETIC RELAY	K5K6P5	
△ K451			S76-0107-05	MAGNETIC RELAY	K7K8P7	
△ K451			S76-0107-05	MAGNETIC RELAY	P6P8	
△ K451			S76-0110-05	MAGNETIC RELAY	E1E2E3	
△ K451			S76-0110-05	MAGNETIC RELAY	E4X2X4	
△ K451			S76-0110-05	MAGNETIC RELAY	Y3Y4	
△ S1			S62-0001-05	SLIDE SWITCH	Y3Y4	
△ S2			S68-0142-05	PUSH SWITCH	E1E2E3	
△ S2			S68-0142-05	PUSH SWITCH	E4X2X4	
△ S2			S68-0142-05	PUSH SWITCH	Y3Y4	
S701-708			S70-0086-05	TACT SWITCH		
S716-725			S70-0086-05	TACT SWITCH		
S731-733			S70-0086-05	TACT SWITCH		
S761,762			T99-0696-05	ROTARY ENCODER		
S763			T99-0664-05	ROTARY ENCODER		

L : Scandinavia K : USA P : Canada R : Mexico C : China I : Malaysia  
 Y : PX(Far East,Hawaii) T : England E : Europe G : Germany V : China(Shanghai)  
 Y : AAFES(Europe) X : Australia Q : Russia H : Korea M : Other Areas △ indicates safety critical components .

KRF-V8090D/X9090D/VR-9560/9080  
PARTS LIST

## HOW TO READ THE PARTS LIST

## ABBREVIATION OF MODEL AND MASS PRODUCTION'S DESTINATIONS

MODEL	ABB.	Australia	Canada	Europe	PX/AAFES	USA
		X	P	E	Y	K
KRF-V8090D	B	-	-	E1	-	-
KRF-V8090D-S	S	X2	-	E2	-	-
KRF-X9090D	B	-	-	E3	Y3	-
KRF-X9090D-S	S	X4	-	E4	Y4	-
VR-9080	B	-	P5	-	-	K5
VR-9080-S	S	-	P6	-	-	K6
VR-9560	B	-	P7	-	-	K7
VR-9560-S	S	-	P8	-	-	K8

\* New Parts

Parts without **Parts No.** are not supplied.Les articles non mentionnés dans le **Parts No.** ne sont pas fournis.Teile ohne **Parts No.** werden nicht geliefert.

Ref. No	Add-ress	New Parts	Parts No.	Description	Desti-nation	Re-marks
△ D401			D2SBA207009F01	DIODE		
D451,452			1SS133	DIODE		
△ D453			S1ZB20(7101)	DIODE		
D454			1SS133	DIODE		
D455			RB721Q	DIODE		
D500,501		*	1SS302-F	DIODE		
D503,504			1SS133	DIODE		
D505		*	1SS302-F	DIODE		
D776			MTZJ5.1(B)	ZENER DIODE		
△ D791			1SS133	DIODE		
D801-806			1SS133	DIODE		
D831			1SS133	DIODE		Y3Y4
△ D841			RB721Q	DIODE		
D842			1SS133	DIODE		
△ D843			RB721Q	DIODE		
D844			1SS133	DIODE		
D846			1SS133	DIODE		
D961-964			1SS133	DIODE		
△ ED78			HNA-16MM55T	FLUORESCENT INDICATOR TUBE		
IC45			BA05T	ANALOGUE IC		
IC74			BU2090	ANALOGUE IC		
△ IC78			LC75711NED	MOS-IC		
IC79		*	XC6202P502PRN	ANALOGUE IC		
IC81			BU1924F	ANALOGUE IC		E1E2X2
IC81			BU1924F	ANALOGUE IC		E3E4X4
IC83			S-80840CNY-GZ	ANALOGUE IC		Y3Y4
IC84			S-80840CNY-GZ	ANALOGUE IC		
IC90		*	MN101C49HYF	MICROPROCESSOR IC		E3E4Y3
IC90		*	MN101C49HYF	MICROPROCESSOR IC		K5K6P5
IC90		*	MN101C49HYF	MICROPROCESSOR IC		K7K8P7
IC90		*	MN101C49HYF	MICROPROCESSOR IC		P6P8
IC90		*	MN101C49HYF	MICROPROCESSOR IC		Y4X4
IC90		*	MN101C49HYH	MICROPROCESSOR IC		E1E2X2
△ IC401			KIA7812API-UP	ANALOGUE IC		
△ IC402			KIA7912API-UP	ANALOGUE IC		
IC501,502			BA4560F	ANALOGUE IC		
Q451			2SC1740S(Q,R)	TRANSISTOR		
Q512			2SC4081(R,S)	TRANSISTOR		
Q731			DTC113ZSA	DIGITAL TRANSISTOR		
Q776			2SC1740S(Q,R)	TRANSISTOR		
Q777,778			DTC124ESA	DIGITAL TRANSISTOR		
Q841			2SC1740S(Q,R)	TRANSISTOR		
Q842			2SA933AS(Q,R)	TRANSISTOR		
Q843			DTC113ZSA	DIGITAL TRANSISTOR		
△ TH1			MF-R090-99	THERMISTOR		
A791			W02-4599-05	ELECTRIC CIRCUIT MODULE		E1E2E3
A791			W02-4599-05	ELECTRIC CIRCUIT MODULE		E4X2X4
A791			W02-4599-05	ELECTRIC CIRCUIT MODULE		Y3Y4

L : Scandinavia

Y : PX(Far East,Hawaii)

Y : AAFES(Europe)

K : USA

T : England

X : Australia

P : Canada

E : Europe

Q : Russia

R : Mexico

G : Germany

H : Korea

C : China

V : China(Shanghai)

M : Other Areas

I : Malaysia

△ indicates safety critical components.

# KRF-V8090D/X9090D/VR-9560/9080

## SPECIFICATIONS

### AUDIO section

For VR-9080

Rated power output during STEREO operation

100 watts per channel minimum RMS, both channels driven, at 8 Ω from 20 Hz to 20 kHz with no more than 0.09% total harmonic distortion. (FTC)

Effective power output during SURROUND operation

FRONT (20 ~ 20 kHz, 0.09 % T.H.D., at 8 Ω one channel driven) ..... 100 W + 100 W  
CENTER (20 ~ 20 kHz, 0.09 % T.H.D., at 8 Ω one channel driven) ..... 100 W + 100 W  
SURROUND (20 ~ 20 kHz, 0.7 % T.H.D., at 8 Ω one channel driven) ..... 100 W + 100 W  
SURROUND BACK (20 ~ 20 kHz, 0.7 % T.H.D., at 8 Ω one channel driven) ..... 100 W + 100 W

For KRF-X9090D

Rated power output during STEREO operation

100 watts per channel minimum RMS, both channels driven, at 8 Ω from 20 Hz to 20 kHz with no more than 0.09% total harmonic distortion. (FTC)

IEC (20 Hz ~ 20 kHz, 0.09% T.H.D., at 8 Ω) ..... 100 W + 100 W  
DIN (1 kHz at 8 Ω) ..... 120 W + 120 W

Effective power output during STEREO operation

(1 kHz, 10% T.H.D., at 8 Ω) ..... 130 W + 130 W

Effective power output during SURROUND operation

FRONT  
(20 Hz ~ 20 kHz, 0.09 % T.H.D., at 8 Ω one channel driven) ..... 100 W + 100 W  
(1 kHz, 0.7 % T.H.D., at 8 Ω one channel driven) .. 120 W + 120 W  
(1 kHz, 10 % T.H.D., at 8 Ω one channel driven) ... 130 W + 130 W  
CENTER  
(20 Hz ~ 20 kHz, 0.09 % T.H.D., at 8 Ω one channel driven) ..... 100 W + 100 W  
(1 kHz, 0.7 % T.H.D., at 8 Ω one channel driven) ..... 120 W + 120 W  
(1 kHz, 10 % T.H.D., at 8 Ω one channel driven) ..... 130 W + 130 W  
SURROUND  
(20 Hz ~ 20 kHz, 0.7 % T.H.D., at 8 Ω one channel driven) ..... 100 W + 100 W  
(1 kHz, 0.7 % T.H.D., at 8 Ω one channel driven) .. 120 W + 120 W  
(1 kHz, 10 % T.H.D., at 8 Ω one channel driven) ... 130 W + 130 W

common

Total harmonic distortion ..... 0.009 % (1 kHz, 50 W, 8 Ω)  
Frequency response  
CD/DVD ..... 10 Hz ~ 100 kHz, +0 dB ~ -3.0 dB  
PHONO 'RIAA' response ..... 40 Hz ~ 20 kHz, +1.5 dB ~ -3.0 dB  
Maximum input level  
PHONO (MM) ..... 40 mV, 1 % T.H.D., at 1 kHz  
Signal to noise ratio (IHF'66)  
PHONO (MM) ..... 75 dB  
CD/DVD ..... 95 dB  
Input sensitivity / impedance  
PHONO (MM) ..... 4 mV / 47 kΩ  
CD/DVD, MD/TAPE, AV AUX, VIDEO 1, VIDEO 2, VIDEO 3, DVD/6CH ..... 300 mV / 47 kΩ  
Output level / impedance  
REC OUT (MD/TAPE) ..... 300 mV / 1 kΩ  
PRE OUT (FRONT) ..... 1 V / 500 Ω  
PRE OUT (CENTER) ..... 1 V / 500 Ω  
PRE OUT (SURROUND) ..... 1 V / 500 Ω  
PRE OUT (SURROUND BACK) ..... 1 V / 500 Ω  
PRE OUT (SUBWOOFER) ..... 1 V / 500 Ω  
Tone control  
BASS ..... ±10 dB (at 100 Hz)  
TREBLE ..... ±10 dB (at 10 kHz)  
Loudness control  
VOLUME at -30 dB level ..... +6 dB (100 Hz)

### DIGITAL AUDIO section

Sampling frequency ..... 32 kHz, 44.1 kHz, 48 kHz, 96 kHz  
Input level / impedance / wave length  
Optical ..... -15 dBm ~ -24 dBm, 660 nm ±30 nm  
Coaxial ..... 0.5 Vp-p / 75 Ω  
Output level / impedance / wave length  
Optical ..... -21 dBm ~ -15 dBm, 660 nm ±30 nm

### VIDEO section

VIDEO inputs / outputs  
VIDEO (composite) ..... 1 Vp-p / 75 Ω  
S VIDEO inputs / outputs  
S VIDEO (luminance signal) ..... 1 Vp-p / 75 Ω  
S VIDEO (chrominance signal) ..... 0.286 Vp-p / 75 Ω  
COMPONENT VIDEO inputs / outputs  
COMPONENT VIDEO (luminance signal) ..... 1 Vp-p / 75 Ω  
COMPONENT VIDEO (CB/CR-signal)  
VR-9080 ..... 0.64 Vp-p / 75 Ω  
KRF-X9090D ..... 0.7 Vp-p / 75 Ω

### FM tuner section

Tuning frequency range ..... 87.5 MHz ~ 108.0 MHz  
Usable sensitivity (MONO)  
VR-9080 ..... 1.3 μV (75 Ω) / 13.2 dBf (75 kHz dev, SINAD 30 dB)  
KRF-X9090D ..... 1.6 μV (75 Ω) / 15.2 dBf (75 kHz dev, SINAD 30 dB)  
50 dB quieting sensitivity  
STEREO ..... 28 μV (75 Ω) / 40.2 dBf (75 kHz dev)  
Total harmonic distortion  
MONO (1 kHz, 75 kHz dev) ..... 0.5% (65 dBf input)  
STEREO (1 kHz, 67.5 + 67.5 kHz dev) ..... 0.7% (65 dBf input)  
Signal to noise ratio  
MONO (1 kHz, 75 kHz dev) ..... 75 dB (65 dBf input)  
STEREO (1 kHz, 67.5 + 67.5 kHz dev) ..... 68 dB (65 dBf input)  
Stereo separation (1 kHz) ..... 40 dB  
Selectivity (±400 kHz) VR-9080 ..... 70 dB  
KRF-X9090D ..... 50 dB  
Frequency response (30 Hz ~ 15 kHz) ..... +0.5 dB, -3.0 dB

### AM tuner section

Tuning frequency range  
10 kHz step (VR-9080) ..... 530 kHz ~ 1,700 kHz  
10 kHz step (KRF-X9090D) ..... 530 kHz ~ 1,610 kHz  
9 kHz step (KRF-X9090D) ..... 531 kHz ~ 1,602 kHz  
Usable sensitivity (30% mod, S/N 20 dB) ..... 16 μV / (600 μV/m)  
Signal to noise ratio (30% mod, 400 Hz)  
..... 50 dB (60 dBμV EMF input)

### GENERAL

Power consumption VR-9080 ..... 3.4 A  
KRF-X9090D ..... 300 W  
Standby Power consumption ..... less than 2.0 W  
AC outlet (SWITCHED)  
VR-9080 ..... total 150 W, 1.25 A max.  
KRF-X9090D ..... total 90 W max.  
Dimensions ..... W : 440 mm (17-5/16")  
H : 166 mm (6-9/16")  
D : 396 mm (15-9/16")  
Weight (Net) ..... 12.1 kg (26.7 lb)

### Notes

1. KENWOOD follows a policy of continuous advancements in development. For this reason specifications may be changed without notice.
2. The full performance may not be exhibited in an extremely cold location (under a water-freezing temperature).

