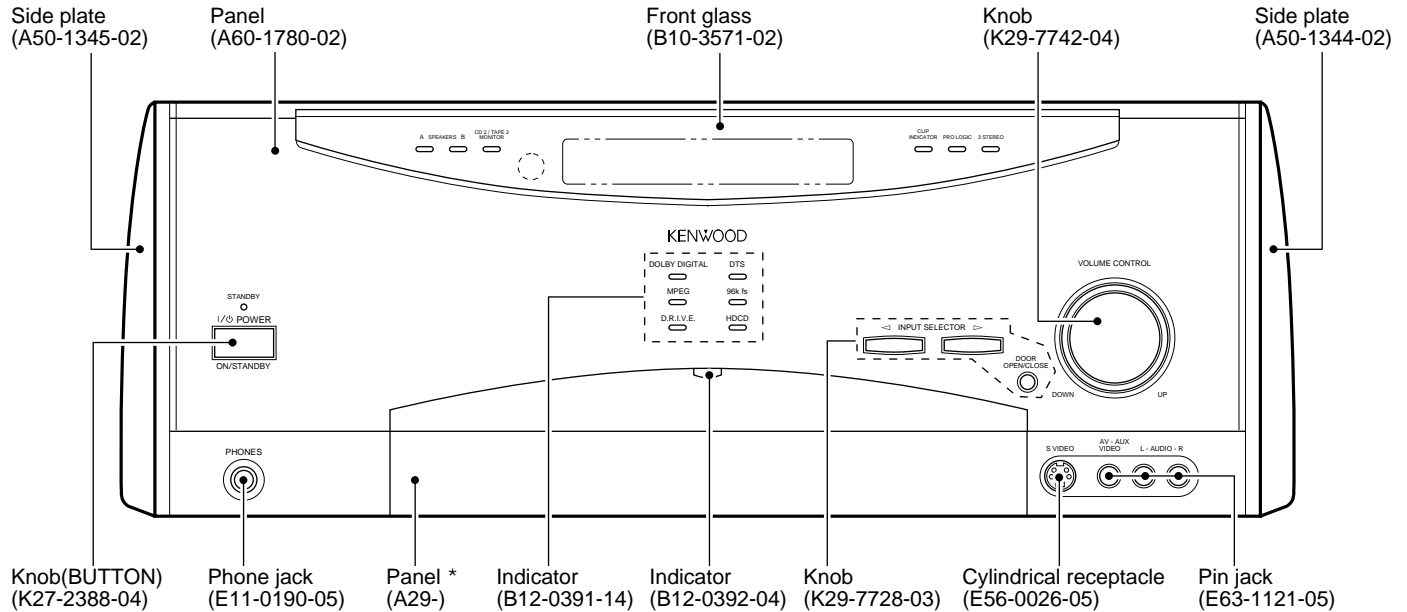


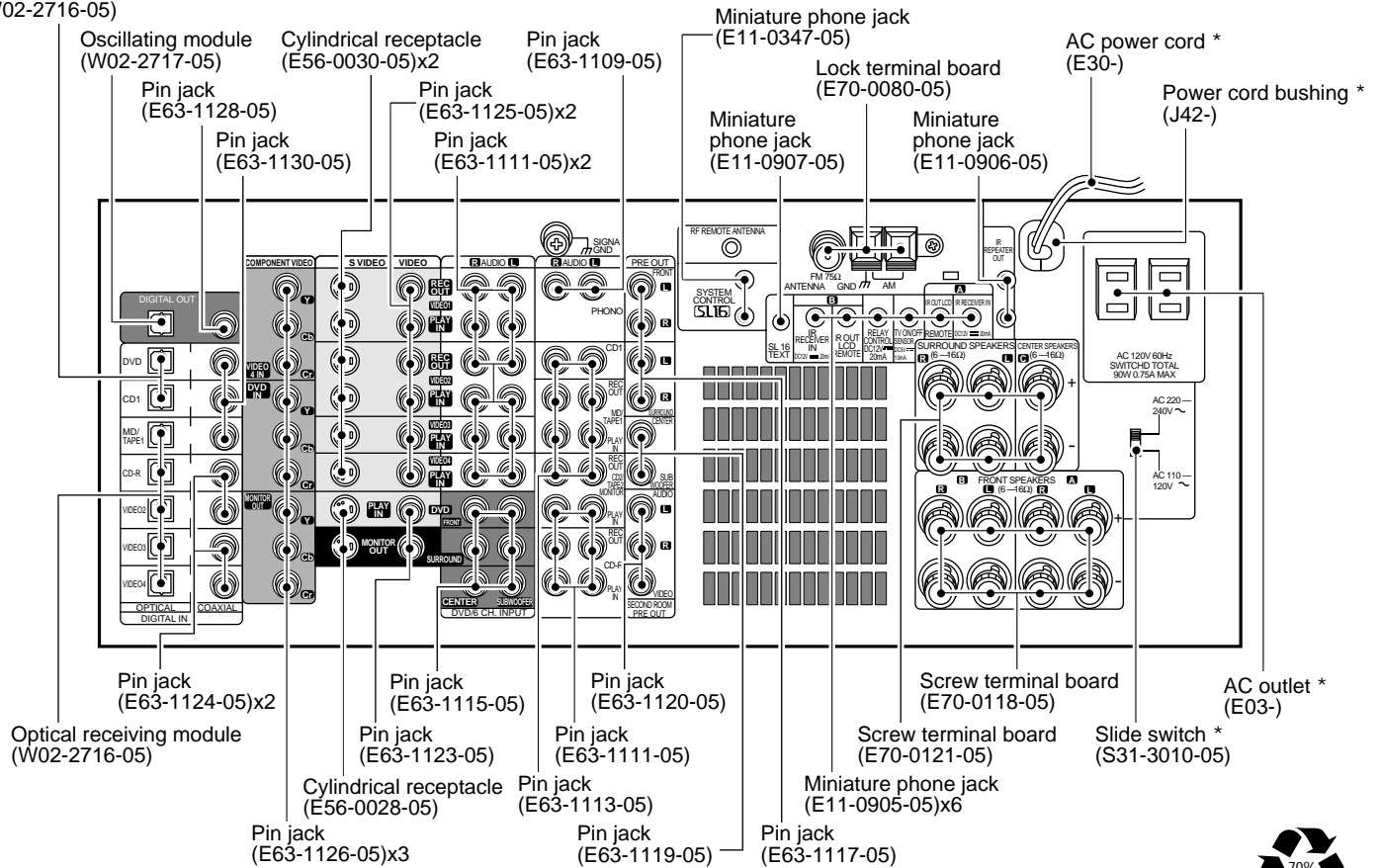
KRF-V7773D/V7773D-B

KRF-V9993D

SERVICE MANUAL



Optical receiving module (W02-2716-05)



Illust is KRF-V9993D.

* Refer to parts list on page 63.



KRF-V7773D/V7773D-B/V9993D

CONTENTS / ACCESSORIES / CAUTIONS

Contents

| | | | |
|--|----|-------------------------|----|
| CONTENTS / ACCESSORIES / CAUTIONS..... | 2 | PC BOARD | 17 |
| CONTROLS | 3 | SCHEMATIC DIAGRAM | 30 |
| DISASSEMBLY FOR REPAIR..... | 4 | EXPLODED VIEW | 61 |
| CIRCUIT DESCRIPTION..... | 5 | PARTS LIST..... | 63 |
| ADJUSTMENT | 15 | SPECIFICATIONS | 65 |
| WIRING DIAGRAM | 16 | | |

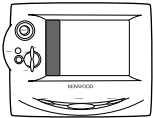
Accessories

Remote control unit
(A70-1313-05): RC-R0912
(A70-1344-05): RC-R0910



Battery cover(A09-1166-08)

Remote control unit (PowerTouch)
(A70-1350-05): RC-R1011
(A70-1351-05): RC-R1010

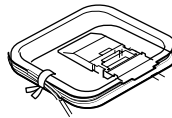


Battery cover(A09-1177-08)
Pen(W01-0976-08)

Batteries



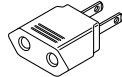
AM Loop Antenna
(T90-0852-05)



FM Antenna
(T90-0855-05)



AC plug adaptor (1)
(E03-0115-05)



Use to adapt the plug on the power cord to the shape of the wall outlet. (Accessory only for regions where use is necessary.)

Cautions



Manufactured under license from Dolby Laboratories. Dolby , Pro Logic , AC-3 , and the double-D symbol are trademarks of Dolby Laboratories. Confidential Unpublished Works. ' 1992-1997 Dolby Laboratories. All rights reserved.



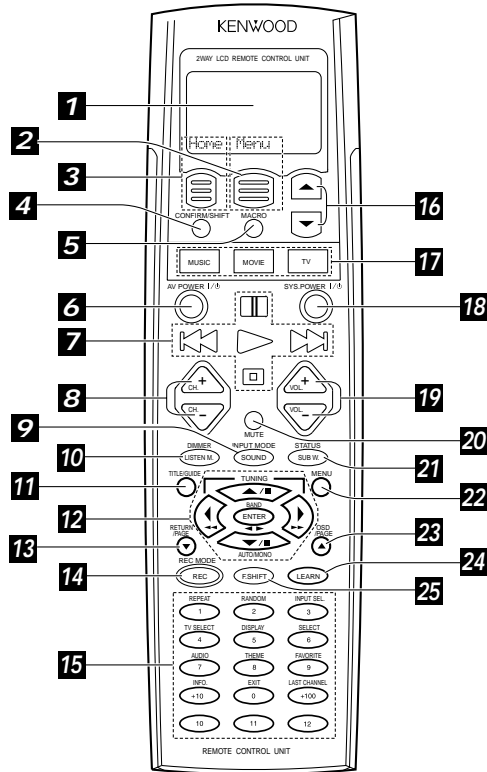
Manufactured under license from Digital Theater Systems, Inc. US Pat. No. 5,451,942 and other worldwide patents issues and pending. DTS and DTS Digital Surround are trademarks of Digital Theater Systems, Inc. ' 1996 Digital Theater Systems, Inc. All rights reserved.



[HDCD], HDCD, High Definition Compatible Digital and Pacific Microsonics™ are either registered trademarks or trademarks of Pacific Microsonics, Inc. in the United States and/or other countries. HDCD system manufactured under license from Pacific Microsonics, Inc. This product is covered by one or more of the following: IN the USA: 5,479,168, 5,638,074, 5,640,161, 5,808,574, 5,838,274, 5,854,600, 5,864,311, 5,872,531, and in Australia: 669114. Other patents pending.

Remote control

What's on Remot Control unit?

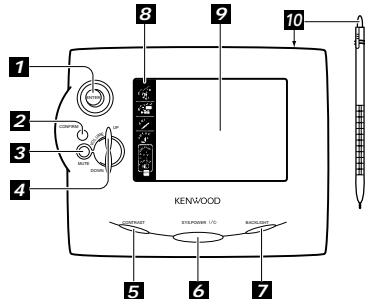


1. LCD indicators
2. LCD function key 2
3. LCD function key 1
4. CONFIRM/SHIFT key
5. MACRO key
6. AV.POWER key (AV device Power key)
7. AV device control keys
 - ▶ : Play
 - ◀▶ : Skip
 - ⏸ : Pause
 - : Stop
8. CH.(+/-)key (AV device control keys)
9. SOUND (INPUT MODE) key
10. LISTEN M.(DIMMER) key
11. TITLE/GUIDE key (AV device control key)
12. ▲Cursor up (⏸ PAUSE)key
13. ▼Cursor down (AUTO/MONO, ■ STOP) key
14. REC (Recording)(REC MODE) key
15. Numeric keys (AV device control keys)
16. LCD cursor up/down keys
17. Input selector keys
 - MUSIC: Audio device selector key
 - MOVIE: Video device selector key
 - TV: TV/video monitor selector key
18. SYS.POWER (Receiver power)key
19. VOL.(+/-)keys
20. MUTE key
21. SUB W.(STATUS)key
22. MENU key (AV device control keys)
23. OSD/PAGE ▲ key (AV device control key)
24. LEARN key
25. F.SHIFT (Backlight)key

How to operate the F.SHIFT key:

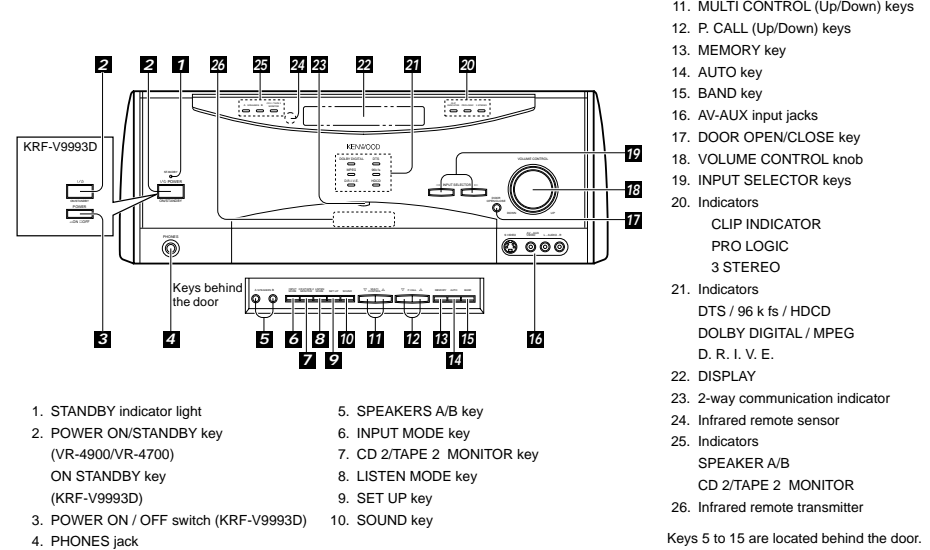
In addition to the functions marked on the remote control keys, those marked in blue characters above the keys can be used. To use these functions, press the F.SHIFT key then press the desired key within 8 seconds. (Example) To use the REPEAT function, press the F.SHIFT key then press key 1 (REPEAT).

What's on Power Touch?



1. Joystick
2. Confirm button
3. Mute button
4. Volume up/down button
5. Contrast button
6. On/Standby button
7. Backlight button
8. Quick Access menu
9. Touch screen display
10. Stylus (stored on top edge)

What's on the Front Panel of Your Kenwood Audio-Video Receiver?



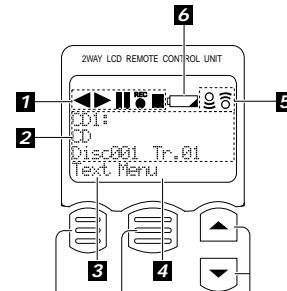
1. STANDBY indicator light
2. POWER ON/STANDBY key (VR-4900/VR-4700) ON STANDBY key (KRF-V9993D)
3. POWER ON / OFF switch (KRF-V9993D)
4. PHONES jack
5. SPEAKERS A/B key
6. INPUT MODE key
7. CD 2/TAPE 2 MONITOR key
8. LISTEN MODE key
9. SET UP key
10. SOUND key

11. MULTI CONTROL (Up/Down) keys
 12. P. CALL (Up/Down) keys
 13. MEMORY key
 14. AUTO key
 15. BAND key
 16. AV-AUX input jacks
 17. DOOR OPEN/CLOSE key
 18. VOLUME CONTROL knob
 19. INPUT SELECTOR keys
 20. Indicators
 - CLIP INDICATOR
 - PRO LOGIC
 - 3 STEREO
 21. Indicators
 - DTS / 96 k fs / HDCD
 - DOLBY DIGITAL / MPEG
 - D. R. I. V. E.
 22. DISPLAY
 23. 2-way communication indicator
 24. Infrared remote sensor
 25. Indicators
 - SPEAKER A/B
 - CD 2/TAPE 2 MONITOR
 26. Infrared remote transmitter
- Keys 5 to 15 are located behind the door.

Standby mode

While the standby indicator of the unit is lit, a small amount of current is flowing into the unit's internal circuitry to back up the memory. This condition is referred to as the standby mode of the unit. While the unit is in the standby mode, it can be turned ON from the remote control unit.

LCD Indicators



1. Playback/recording mode indicators
 - ▶: Play indicator/ ⏸ :Pause indicator/ REC :Record indicator/ ■ :Stop indicator
2. Character display
 - Shows various information such as the input device name and track number.
3. Current function of LCD function key 1
4. Current function of LCD function key 2
5. Communication indicators
 - 📶: Sending. 📶: Receiving.
6. Battery indicator
 - "🔋" appears when the batteries are nearly exhausted. In this case, replace all of the four batteries together.

To switch the menu:

The menu can be switched over or selected while LCD function key 1 and/or 2 are displayed. (Examples: Home, Back, Menu, Enter, etc.)

CONTROLS

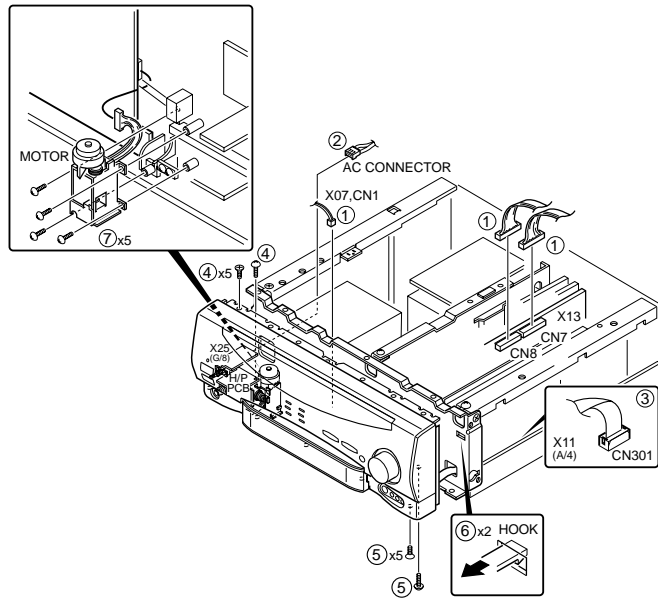
KRF-V7773D/V7773D-B/V9993D

KRF-V7773D/V7773D-B/V9993D

DISASSEMBLY FOR REPAIR

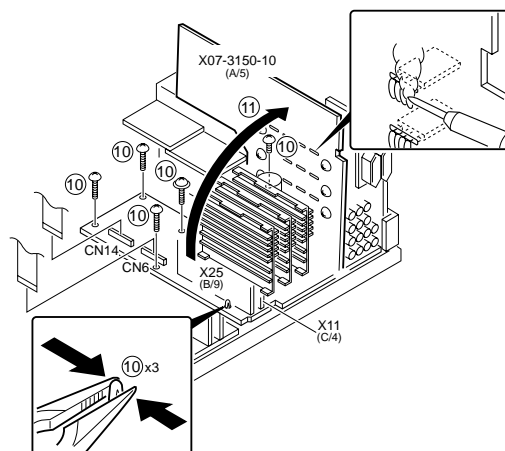
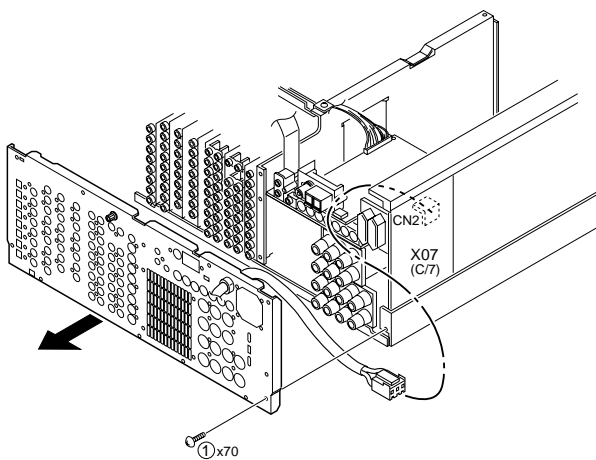
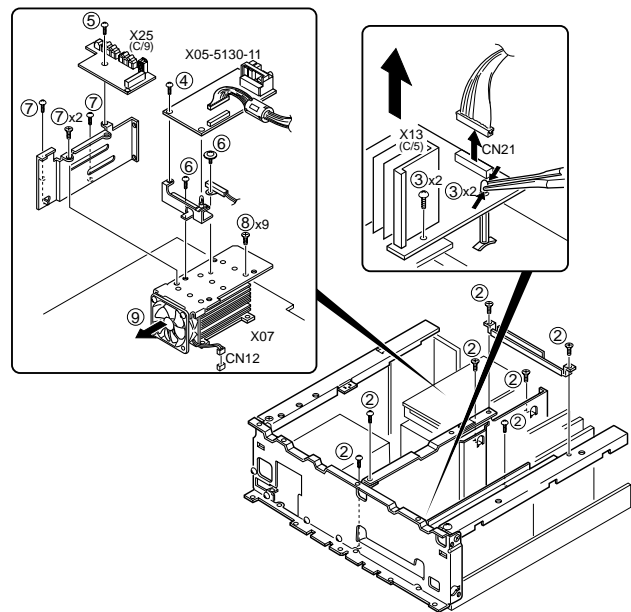
HOW TO REMOVE THE FRONT PANEL AND THE MOTOR.

1. Take out the connectors (①) {X07,CN1/X13(CN7,CN8)} and the AC connector(②).
2. Take the lead (③) out of CN301 on X11(A/4) PCB.
3. Take out the screws (④) and (⑤).
4. The front panel can be separated by removing 2 hooks (⑥) on the sub panel.
5. To separate the motor from the front panel, remove the screws (⑦).



HOW TO REPLACE THE POWER TRANSISTOR.

1. The rear panel can be separated by removing screws (①) on the rear panel.
2. Take the AC connector out of CN2 on the X07(C/7).
3. To separate the chassis from bottom chassis, remove the screws (②).
4. Remove CN21 and screws (③) on X13(C/5).
5. Remove screws (④ to ⑦).
6. The fan motor can be separated by removing screws (⑧) and the connector (CN12) on X07 PCB.
7. Take the PCB {X25(B/9), X11(C/4)} out of X07.
8. To separate the main PCB (X07) from the bottom chassis, remove screws (⑩).
9. Set up the PCB as figure (⑪).
10. Replace the defective transistors.



CIRCUIT DESCRIPTION

1. Initialization

1-1 The Initial Setting

- Insert the power cord to AC wall outlet by pressing the "POWER" key.

1-2 The Initial Condition

- Power On/Off : Off
- Volume Level : -66dB
- Audio Input Selector : TUNER
- Video Signal Input Selector : VIDEO1
- Remote Control Sensor : Data Front In
- Speaker A : On
- Speaker B : Off
- CD2/TAPE2 MONITOR : Off(TAPE MODE)
- Tone : Off
- Loudness : Off
- Display Mode : DEVICE+DGTL/ANLG
- Digital Rec Mode : Off
- Dimmer : Dimmer 1
- Input Mode : DGTL/ANLG-AUTO
- Digital Rec Mode : Off
- HDCD/DRIVE : HDCD/DRIVE AUTO
- Surround Mode : Stereo
- Room Size : Medium
- Wall Type : Medium
- Effect Level : 3
- Midnight Mode : Off
- Distance : FL/FR :10ft
: C :10ft
: RS/LS : 5ft
: SW :10ft
- Front Speaker : Large
- Center Speaker : Normal
- Surround Speaker : Normal
- Subwoofer : On
- SW Re-Mix : OFF
- Input Level : 0dB
- Each Speaker Level : 0dB
- Tone Bass : 0
- Tone Treble : 0
- Tuning Mode : Auto
- Preset Memory : Test frequency
- Last Band : FM
- FM Last Frequency : 87.5MHz (OTHER THAN)
: 76.0MHz (J)
- AM Last Frequency : 531kHz (CH.SP 9kHz)
: 530kHz (CH.SP 10kHz)
- Last P.ch : [-ch]

2. Destination List of Tuner

0 : Pull down, 1: Pull up

| SET TYPE | TYPE | BAND | RECEIVING FREQUENCY RANGE | CHANNEL SPACE | IF | PLL | DIODE SW(X13) ※1 | | | |
|------------------------------|--------------------|---|---------------------------|---------------|----------|-------|------------------|------------------|------------------|------------------|
| | | | | | | | DSW3 (R282,R285) | DSW2 (R292,R279) | DSW1 (R296,R284) | DSW0 (R297,R288) |
| K, P, R | K1 1700 | FM | 87.5MHz-108.0MHz | 100kHz | +10.7MHz | 25kHz | 0 | 0 | 0 | 0 |
| | | AM | 530kHz-1700kHz | 10kHz | +450kHz | 10kHz | | | | |
| Y, M, I, C, V | K2 1610 | FM | 87.5MHz-108.0MHz | 100kHz | +10.7MHz | 25kHz | 0 | 0 | 1 | 1 |
| | | AM | 530kHz-1610kHz | 10kHz | +450kHz | 10kHz | | | | |
| Y | K3 1610 RBDS | FM | 87.5MHz-108.0MHz | 100kHz | +10.7MHz | 25kHz | 0 | 0 | 1 | 0 |
| | | AM | 530kHz-1610kHz | 10kHz | +450kHz | 10kHz | | | | |
| K, P | K4 1700 RBDS | FM | 87.5MHz-108.0MHz | 100kHz | +10.7MHz | 25kHz | 1 | 0 | 1 | 0 |
| | | AM | 530kHz-1700kHz | 10kHz | +450kHz | 10kHz | | | | |
| Y, M, I, C, V, E, X, H | E1 | FM | 87.5MHz-108.0MHz | 50kHz | +10.7MHz | 25kHz | 0 | 0 | 0 | 1 |
| | | AM | 531kHz-1602kHz | 9kHz | +450kHz | 9kHz | | | | |
| T | E2 LW | FM | 87.5MHz-108.0MHz | 50kHz | +10.7MHz | 25kHz | 0 | 1 | 0 | 0 |
| | | MW | 531kHz-1602kHz | 9kHz | +450kHz | 9kHz | | | | |
| | | LW | 153kHz-279kHz | 9kHz | +450kHz | 9kHz | | | | |
| E, T | E3 RDS | FM | 87.5MHz-108.0MHz | 50kHz | +10.7MHz | 25kHz | 0 | 1 | 0 | 1 |
| | | AM | 531kHz-1602kHz | 9kHz | +450kHz | 9kHz | | | | |
| T | E4 LW RDS | FM | 87.5MHz-108.0MHz | 50kHz | +10.7MHz | 25kHz | 0 | 1 | 1 | 0 |
| | | MW | 531kHz-1602kHz | 9kHz | +450kHz | 9kHz | | | | |
| | | LW | 153kHz-279kHz | 9kHz | +450kHz | 9kHz | | | | |
| Q | Q1 RDS | FM L | 65.0MHz-74.0MHz | 10kHz | +10.7MHz | 5kHz | 1 | 0 | 1 | 1 |
| | | FM H | 87.5MHz-108.0MHz | 50kHz | +10.7MHz | 5kHz | | | | |
| | | AM | 531kHz-1602kHz | 9kHz | +450kHz | 9kHz | | | | |
| Q | Q2 RDS | FM L | 65.0MHz-74.0MHz | 10kHz | +10.7MHz | 5kHz | 1 | 1 | 0 | 0 |
| | | FM H | 87.5MHz-108.0MHz | 50kHz | +10.7MHz | 5kHz | | | | |
| | | MW | 531kHz-1602kHz | 9kHz | +450kHz | 9kHz | | | | |
| | | LW | 153kHz-279kHz | 9kHz | +450kHz | 9kHz | | | | |
| Y, M, I, C, V | M | K2/E1 are switched by DSW1. (DSW1 = 1:K2type, 0: E1type) | | | | | 0 | 0 | X | 1 |
| Y | Y RBDS | K3/E1 are switched by DSW0. (DSW0 = 0:K3type, 1: E1type) | | | | X | 0 | 0 | 1 | X |

※1 DIODE SW(DSWx) : 0 = NO DIOE(1 = WITH DIODE
X = TRANSISTOR SW(0=OFF/1=ON)

CIRCUIT DESCRIPTION

3. Test Mode

3-1 Entering the Test Mode

- While pressing the "INPUT SELECTOR DOWN" key, plug the power cord into AC wall outlet.

3-2 Cancelling the Test Mode

- Initialized and cancel the test mode if pulling out the power cord.
- Not initialized and cancel the test mode if the power switch turns off.

3-3 Contents of the Test Mode

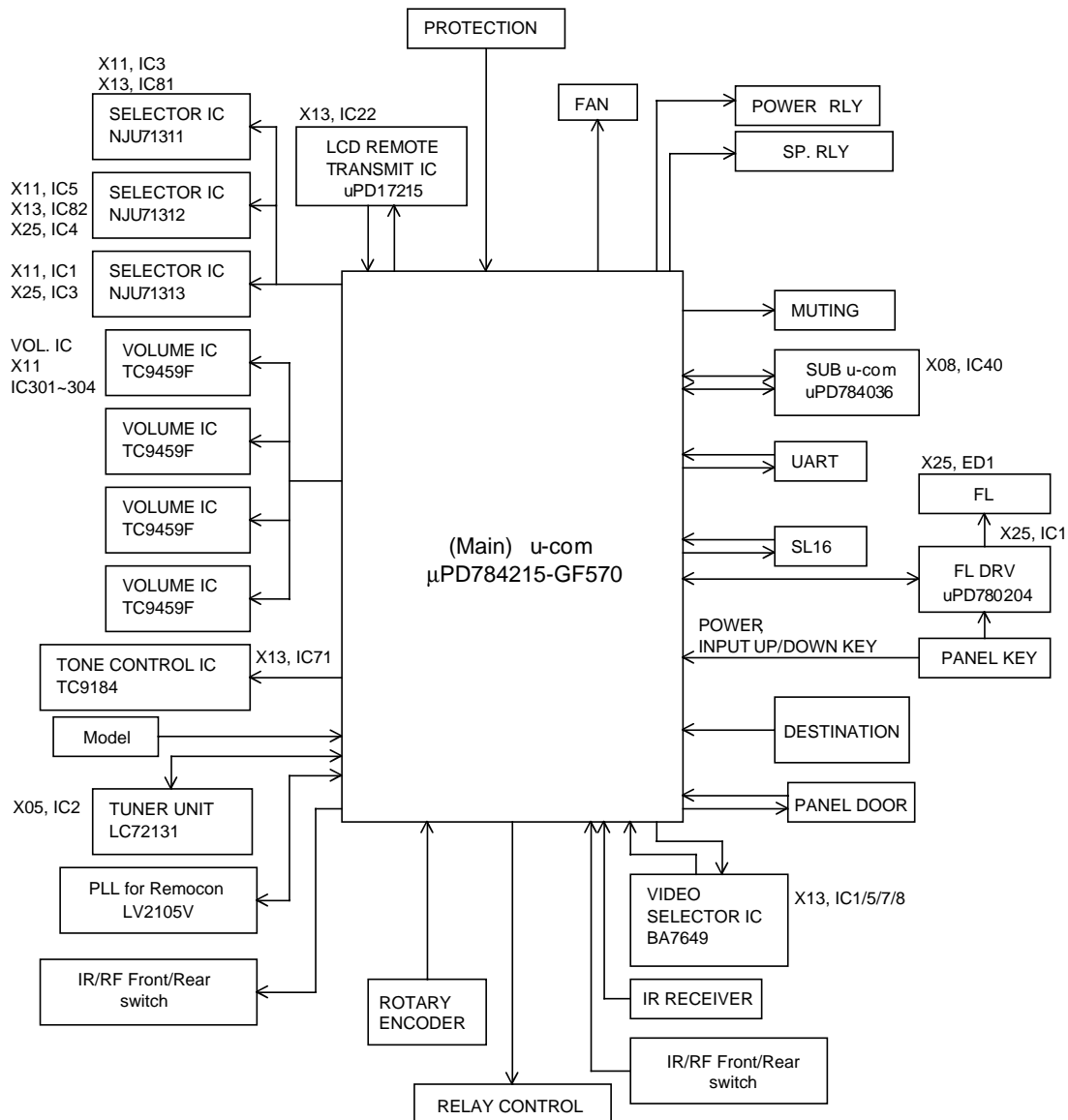
3-3-1 Key Operation

*The following operation is available when the FL is all lighting up mode only.

| KEY | OPERATION | DISPLAY |
|-------------|--|----------------------------------|
| SOUND | Set up the RF frequency to 411.3MHz. | RF 417.3MHz |
| LISTEN MODE | Set up the RF frequency to 414.3MHz. | RF 414.3MHz |
| INPUT MODE | Set up the RF frequency to 411.3MHz. | RF 417.3MHz |
| SET UP | Indicates Tuner destination on the FL. | EX. TYPE E1→TYPE E2 |
| MEMORY | Changed dimmer off/1/2cyclically. | All FL light on→ALL FL light off |
| BAND KEY | Indicates the u-com version. | EX. Ver . XXXXXX-X |

4. Main Microprocessor : uPD784215-GF570 (X13, IC23)

4-1 Main Microprocessor Periphery Block Diagram



4-2 Pin Description of Main Microprocessor

| Pin No. | Pin Name | I/O | Description |
|---------|-------------------|-----|--|
| 1-8 | REM_D0-D7 | O | LCD ROMOTE DATA OUT (0-7) |
| 9 | VDD | - | +5V POWER SUPPLY |
| 10 | VOL_DATA | O | VOLUME IC DATA OUT |
| 11 | VOL_CLK | O | VOLUME IC CLOCK |
| 12 | VOL_STB | O | VOLUME IC STROBE |
| 13 | TONE_STB | O | TONE IC STROBE |
| 14 | VOL/TONE/SEL_DATA | O | TONE/SELECTOR IC DATA OUT |
| 15 | VOL/TONE/SEL_CLK | O | TONE/SELECTOR IC CLOCK |
| 16-18 | SEL_STB1-3 | O | SELECTOR IC STROBE1-3 |
| 19 | MODEL1 | I | DISCRIMINATION SW1 FOR MODEL |
| 20 | MODEL2 | I | DISCRIMINATION SW2 FOR MODEL |
| 21 | RF_PLL_CE | O | PLL(V2105V)CE FOR RF REMOTE CONTROL |
| 22 | VPP TEST | - | CONNECTED TO GND |
| 23 | STEREO | I | PLL(LC72131) STEREO |
| 24 | SD | I | PLL(LC72131) SD |
| 25 | [RF] PLL_CLK | O | PLL(LC72131) CLOCK RF REMOTE CONTROL(V2105V) CLOCK |
| 26 | [RF] PLL_DATA | O | PLL(LC72131) DATA RF REMOTE CONTROL PLL(V2105V) DATA |
| 27 | PLL_DO | I | PLL(LC72131) DO |
| 28 | PLL_CE | O | PLL(LC72131) CE |
| 29 | T_MUTE | O | TUNER MUTE |
| 30 | RELAY_CONT | O | RELAY CONTROL OUTPUT(REFER TO 5. SW CONTROL) |
| 31-33 | P_MACRO_A-C | O | PERFECT MACRO (A-C) |
| 34 | TV_SENS | I | TV SIGNAL DETECTION |
| 35 | ENC_A | I | VOLUME ENCODER INPUT A |
| 36 | ENC_B | I | VOLUME ENCODER INPUT B |
| 37 | VDD | - | +5V POWER SUPPLY |
| 38 | X2 | O | 12.5MHz OSCILLATOR |
| 39 | X1 | I | 12.5MHz OSCILLATOR |
| 40 | VSS | - | GND |
| 41 | XT2 | - | UNUSED |
| 42 | XT1 | - | CONNECTED TO GND |
| 43 | RESET | I | MAIN u-COM RESET |
| 44 | CE | I | CHIP ENABLE |
| 45 | DSW1 | I | TUNER DESTINATION SW1 |
| 46 | DSW2 | I | TUNER DESTINATION SW2 |
| 47 | POWER_KEY_IN | I | POWER KEY INPUT |
| 48 | RDS_CLOCK | I | RDS SYNCHRONIZED CLOCK |
| 49 | REM1 | I | REMOTE CONTROL SIGNAL INPUT1 (FRONT PANEL) |
| 50 | REM2 | I | REMOTE CONTROL SIGNAL INPUT (IR RECEIVER) |
| 51 | AVDD | - | +5V POWER SUPPLY |
| 52 | AVREF | - | +5V POWER SUPPLY |
| 53 | CLOSE_SENS | I | CLOSE SENSOR(PANEL DOOR) |
| 54 | OPEN_SENS | I | OPEN SENSOR(PANEL DOOR) |
| 55 | P_MACRO_IN | I | PERFECT MACRO INPUT |
| 56 | THERM_SW | I | THERMAL SW CHANGEOVER |
| 57 | S_LEVEL | I | RDS SIGNAL LEVEL INPUT |
| 58 | RDS_DATA | I | RDS SYNCHRONIZED DATA |
| 59 | DSW0 | I | TUNER DESTINATION SW0 |
| 60 | INPUT_DOWN_KEY_IN | I | INPUT DOWN KEY INPUT |
| 61 | AVSS | - | CONNECTED TO GND |
| 62 | S_DATA | I/O | SL16 DATA |
| 63 | S_BUSY | I/O | SL16 BUSY |
| 64 | AVREF | - | +5V POWER SUPPLY |
| 65 | TEXT_RX | I | CD TEXT UART COMMUNICATION DATA IN |

| Pin No. | Pin Name | I/O | Description |
|---------|------------|-----|---|
| 66 | TEXT_TX | O | CD TEXT UART COMMUNICATION DATA OUT |
| 67 | SUB RESET | O | SUB u-COM RESET PORT |
| 68 | FL_DIN | I | FL DRIVER (uPD780204) DATA IN |
| 69 | FL_DOUT | O | FL DRIVER (uPD780204) DATA OUT |
| 70 | FL_CLK | O | FL DRIVER (uPD780204) CLOCK |
| 71 | FL_RST | O | FL DRIVER (uPD780204) RESET |
| 72 | FL_STB | O | FL DRIVER (uPD780204) STROBE |
| 73 | SDT | I | DATA COMMUNICATION BETWEEN MAIN & SUB u-COM |
| 74 | MDT | O | DATA COMMUNICATION BETWEEN MAIN & SUB u-COM |
| 75 | MCK | O | SUB u-COM CLOCK OUTPUT |
| 76 | MREQ | O | COMMUNICATION MASTER REQUEST BETWEEN MAIN & SUB u-COM |
| 77 | SREQ | I | COMMUNICATION SLAVE REQUEST BETWEEN MAIN & SUB u-COM |
| 78 | 10dB CTL | O | -10dB AMP CHANGEOVER (AMP ON:H) |
| 79 | SW MUTE | O | SPEAKER S/W MUTE |
| 80 | MUTE | O | PREOUT SURROUND MUTE |
| 81 | B_MUTE | O | PREOUT B MUTE(ROOM B) |
| 82 | A_MUTE | O | ROOM A MUTE |
| 83 | DSW3 | I | TUNER DESTINATION SW3 |
| 84 | RELAY_CS | O | CENTER/SURROUND SP. RELAY CONTROL |
| 85 | RELAY_B | O | SP.B RELAY CONTROL |
| 86 | RELAY_A | O | SP.A RELAY CONTROL |
| 87 | RELAY_TR | O | TRANSFORMER TAP CHANGEOVER |
| 88 | POWER | O | POWER RELAY CONTROL |
| 89 | FAN_H/L | O | FAN MOTOR (H/L) CONTROL |
| 90 | FAN_ON/OFF | O | FAN MOTOR (ON/OFF)CONTROL |
| 91 | 10W | I | 10W DETECTION PORT |
| 92 | 1W | I | 1W DETECTION PORT |
| 93 | IR SELECT | O | IR REMOTE CONTROL SENSOR CONTROL |
| 94 | V_PROT | I | VOLTAGE DETECTION FOR PROTECTION |
| 95 | I_PROT | I | CURRENT DETECTION FOR PROTECTION |
| 96 | STBY_LED | O | STANDBY LED CONTROL |
| 97 | REM_RWR | I | LCD REMOTE RWR |
| 98 | REM_ENB | I | LCD REMOTE ENABLE |
| 99 | REM_REQ | O | LCD REMOTE REQUEST |
| 100 | VSS | - | CONNECTED TO GND |

5. Switch Control

5-1 Fan Control (X13, IC23)

| | 10W(91Pin) | 1W(92Pin) | THERM SW(56Pin) | FAN ON/OFF(90Pin) | FAN H/L(89Pin) |
|---------------|------------|-----------|-----------------|-------------------|----------------|
| FAN STOP | H | H | L | 0 | 1 |
| FAN LOW SPEED | H | L | L | 1 | 1 |
| FAN HI SPEED | L | L | L | 1 | 0 |
| FAN LOW SPEED | H | H | H | 1 | 1 |
| FAN HI SPEED | H | L | H | 1 | 1 |
| FAN HI SPEED | L | L | H | 1 | 0 |

5-2 Door Open/Close Control : FL Driver(X25,IC1)

| | DOOR OUT1(42Pin) | DOOR OUT2(41Pin) |
|-------|------------------|------------------|
| OPEN | 1 | 0 |
| CLOSE | 0 | 1 |
| STOP | 0 | 0 |
| BREAK | 1 | 1 |

5-3 Open Close Sensor (X13,IC23 Main u-COM)

| | OPEN SENS(54) | CLOSE SENS(53) |
|---------------------|---------------|----------------|
| END OF OPEN ACTION | 0 | 1 |
| END OF CLOSE ACTION | 1 | 0 |

KRF-V7773D/V7773D-B/V9993D

CIRCUIT DESCRIPTION

5-4 Relay Control :X13,IC23(Main u-COM)

| | RELAY CONT. (Pin 30) |
|-------------------|-------------------------|
| PHONO | 0 |
| TUNER | |
| CD1 | |
| MD/TAPE1 | |
| CD-R | |
| CD2/TAPE2 MONITOR | 1 |
| VIDEO1 | |
| VIDEO2 | |
| VIDEO3 | |
| VIDEO4 | |
| DVD | |
| AV AUX | |

5-5 IR Remote Control Sensor Control

| | | Pin7 (X11,IC201) | Pin6 (X11,IC201) | IR_SELECT (Pin 93 of X13 IC23) |
|-----------------------|-----------------|---------------------|---------------------|--------------------------------------|
| WITH RF VERSION | RF ON | × | ○ | 0 |
| | RF OFF | ○ | × | 1 |
| WITHOUT RF VERSION | FRONT IR ON | × | ○ | 0 |
| | FRONT IR OFF | ○ | × | 1 |

5-6 P MACRO A,B,C(X13,IC23)

| | P MACRO A(Pin31) | P MACRO B(Pin32) | P MACRO C(Pin33) |
|--------|---------------------|---------------------|---------------------|
| VIDEO1 | 0 | 0 | 0 |
| VIDEO2 | 0 | 1 | 0 |
| VIDEO3 | 1 | 0 | 0 |
| VIDEO4 | 1 | 1 | 0 |
| DVD | 0 | 0 | 1 |

| | P MACRO IN(55) |
|-------------|----------------|
| SIGNAL(YES) | H |
| SIGNAL(NO) | L |

| | TV SENS(34) |
|--------------|-------------|
| TV POWER ON | H |
| TV POWER OFF | L |

5-7 A Input Selector

| | X25 IC3 ST1 NJU7313 | | | | | | | |
|----------------------|------------------------|----|----|----|----|----|----|----|
| | L1 | L2 | L3 | L4 | L5 | L6 | L7 | L8 |
| | R1 | R2 | R3 | R4 | R5 | R6 | R7 | R8 |
| 6ch INPUT | × | × | × | × | × | × | ○ | ○ |
| OTHER THAN 6ch INPUT | | | | | | | | |
| VIDEO1 | × | × | × | × | × | × | ○ | ○ |
| Room A VIDEO2 | × | × | × | × | × | × | ○ | ○ |
| Room A VIDEO3 | × | × | × | × | × | × | ○ | ○ |
| Room A VIDEO4 | × | × | × | × | × | × | ○ | ○ |
| AV AUX | × | × | × | × | × | × | ○ | ○ |
| Room A DVD | × | × | × | × | × | × | ○ | ○ |
| PHONO | ○ | × | × | × | × | × | ○ | ○ |
| Room A TAPE1/MD | × | ○ | × | × | × | × | × | ○ |
| Room A CD1 | × | × | ○ | × | × | × | ○ | ○ |
| Room A CD-R | × | × | × | ○ | × | × | ○ | × |
| Room A TUNER | × | × | × | × | ○ | × | ○ | ○ |
| Room A CD2 | × | × | × | × | × | × | ○ | ○ |
| DIGITAL REC | × | × | × | × | × | × | - | - |

5-8 B Input Selector

| | X25 IC4 ST1 NJU7312 | | | | | | | |
|--------------------------|------------------------|----|----|----|----|----|----|----|
| | L1 | L2 | L3 | L4 | L5 | L6 | L7 | L8 |
| | R1 | R2 | R3 | R4 | R5 | R6 | R7 | R8 |
| Room B VIDEO1 | × | × | × | × | × | × | × | - |
| Room B VIDEO2 | × | × | × | × | × | × | × | - |
| Room B VIDEO3 | × | × | × | × | × | × | × | - |
| Room B VIDEO4 | × | × | × | × | × | × | × | - |
| Room B DVD | × | × | × | × | × | × | × | - |
| Room B TAPE1/MD | ○ | × | × | × | × | × | × | - |
| Room B CD2 | × | × | × | ○ | × | × | × | - |
| Room B CD1 | × | ○ | × | × | × | × | × | - |
| Room B CD-R | × | × | ○ | × | × | × | × | - |
| Room B TUNER | × | × | × | × | ○ | × | × | - |
| CD2(IN CD2/TAPE2 MODE) | - | - | - | - | - | - | × | × |
| TAPE2(IN CD2/TAPE2 MODE) | - | - | - | - | - | - | × | ○ |

| X25,IC3 | | | |
|---------|----|---------|----|
| Pin No. | | Pin No. | |
| L1 | 2 | R1 | 29 |
| L2 | 3 | R2 | 28 |
| L3 | 4 | R3 | 27 |
| L4 | 5 | R4 | 26 |
| L5 | 7 | R5 | 24 |
| L6 | 8 | R6 | 23 |
| L7 | 10 | R7 | 21 |
| L8 | 11 | R8 | 20 |

| X25,IC4 | | | |
|---------|----|---------|----|
| Pin No. | | Pin No. | |
| L1 | 2 | R1 | 29 |
| L2 | 3 | R2 | 28 |
| L3 | 4 | R3 | 27 |
| L4 | 6 | R4 | 25 |
| L5 | 7 | R5 | 24 |
| L6 | 8 | R6 | 23 |
| L7 | 10 | R7 | 21 |
| L8 | 11 | R8 | 20 |

CIRCUIT DESCRIPTION

5-9 ROOM A IC

| | X11 IC1 VTS ST3 NJU7313 | | | | | | | |
|----------------------------------|----------------------------|----|----|----|----|----|----|----|
| | L1 | L2 | L3 | L4 | L5 | L6 | L7 | L8 |
| | R1 | R2 | R3 | R4 | R5 | R6 | R7 | R8 |
| 6ch INPUT | x | x | x | x | o | x | o | x |
| DIGITAL REC | x | x | x | x | x | x | o | x |
| OTHER THAN 6ch INPUT/DIGITAL REC | | | | | | | | |
| Room A VIDEO1 | o | x | x | x | x | x | - | - |
| Room A VIDEO2 | x | o | x | x | x | x | - | - |
| Room A VIDEO3 | x | x | o | x | x | x | - | - |
| Room A VIDEO4 | x | x | x | o | x | x | - | - |
| AV AUX | x | x | x | x | x | o | - | - |
| Room A DVD | x | x | x | x | o | x | - | - |
| PHONO | x | x | x | x | x | x | - | - |
| Room A TAPE1/MD | x | x | x | x | x | x | - | - |
| Room A CD2 | x | x | x | x | x | x | - | - |
| Room A CD1 | x | x | x | x | x | x | - | - |
| Room A CD-R | x | x | x | x | x | x | - | - |
| Room A TUNER | x | x | x | x | x | x | - | - |
| Room A TAPE2 MONITOR | - | - | - | - | - | - | x | o |
| Room A TAPE2 MONITOR OFF | - | - | - | - | - | - | o | x |

5-10 REC OUT/INPUT LEVEL SEL

| | X11 IC3 VTS ST3 NJU7311 | | | | | | |
|----------------------|----------------------------|----|----|----|----|----|----|
| | L1 | L2 | L3 | L4 | L5 | L6 | L7 |
| | R1 | R2 | R3 | R4 | R5 | R6 | R7 |
| 6ch INPUT | o | o | x | x | o | x | x |
| OTHER THAN 6ch INPUT | | | | | | | |
| Room A VIDEO1 | x | o | - | - | - | - | - |
| Room A VIDEO2 | o | x | - | - | - | - | - |
| Room A VIDEO3 | o | o | - | - | - | - | - |
| Room A VIDEO4 | o | o | - | - | - | - | - |
| AV AUX | o | o | - | - | - | - | - |
| Room A DVD | o | o | - | - | - | - | - |
| PHONO | o | o | - | - | - | - | - |
| Room A PAPE1/MD | o | o | - | - | - | - | - |
| Room A CD2 | o | o | - | - | - | - | - |
| Room A TAPE2 MONITOR | o | o | - | - | - | - | - |
| Room A CD1 | o | o | - | - | - | - | - |
| Room A CD-R | o | o | - | - | - | - | - |
| Room A TUNER | o | o | - | - | - | - | - |
| INPUT LEVEL AT 0dB | - | - | x | x | o | x | - |
| INPUT LEVEL AT -3dB | - | - | o | x | x | o | - |
| INPUT LEVEL AT -6dB | - | - | x | o | x | o | - |
| DIGITAL REC | - | - | - | - | - | - | o |

5-11 ROOM B IC

| | X11 IC5 VTS ST3 NJU7312 | | | | | | | |
|----------------------------|----------------------------|----|----|----|----|----|----|----|
| | L1 | L2 | L3 | L4 | L5 | L6 | L7 | L8 |
| | R1 | R2 | R3 | R4 | R5 | R6 | R7 | R8 |
| Room B VIDEO1 | o | x | x | x | x | x | - | - |
| Room B VIDEO2 | x | o | x | x | x | x | - | - |
| Room B VIDEO3 | x | x | o | x | x | x | - | - |
| Room B VIDEO4 | x | x | x | o | x | x | - | - |
| Room B DVD | x | x | x | x | o | x | - | - |
| Room B TAPE1/MD | x | x | x | x | x | x | - | - |
| Room B CD2/TAPE2 MONITOR | x | x | x | x | x | x | - | - |
| Room B CD1 | x | x | x | x | x | x | - | - |
| Room B CD-R | x | x | x | x | x | x | - | - |
| Room B TUNER | x | x | x | x | x | x | - | - |
| TEST TONE | - | - | - | - | - | x | o | x |
| (SP. B ON)ROOM B MODE | - | - | - | - | - | x | x | o |
| UNUSED ROOM B OR SP. B OFF | - | - | - | - | - | x | o | x |

| X11,IC1 | | | |
|---------|---------|----|---------|
| | Pin No. | R1 | Pin No. |
| L1 | 29 | R1 | 2 |
| L2 | 28 | R2 | 3 |
| L3 | 27 | R3 | 4 |
| L4 | 26 | R4 | 5 |
| L5 | 24 | R5 | 7 |
| L6 | 23 | R6 | 8 |
| L7 | 21 | R7 | 10 |
| L8 | 20 | R8 | 11 |

| X11,IC3 | | | |
|---------|---------|----|---------|
| | Pin No. | R1 | Pin No. |
| L1 | 29 | R1 | 2 |
| L2 | 28 | R2 | 3 |
| L3 | 26 | R3 | 5 |
| L4 | 25 | R4 | 6 |
| L5 | 23 | R5 | 8 |
| L6 | 22 | R6 | 9 |
| L7 | 20 | R7 | 11 |

| X11,IC5 | | | |
|---------|---------|----|---------|
| | Pin No. | R1 | Pin No. |
| L1 | 29 | R1 | 2 |
| L2 | 28 | R2 | 3 |
| L3 | 27 | R3 | 4 |
| L4 | 25 | R4 | 6 |
| L5 | 24 | R5 | 7 |
| L6 | 23 | R6 | 8 |
| L7 | 21 | R7 | 10 |
| L8 | 20 | R8 | 11 |

KRF-V7773D/V7773D-B/V9993D

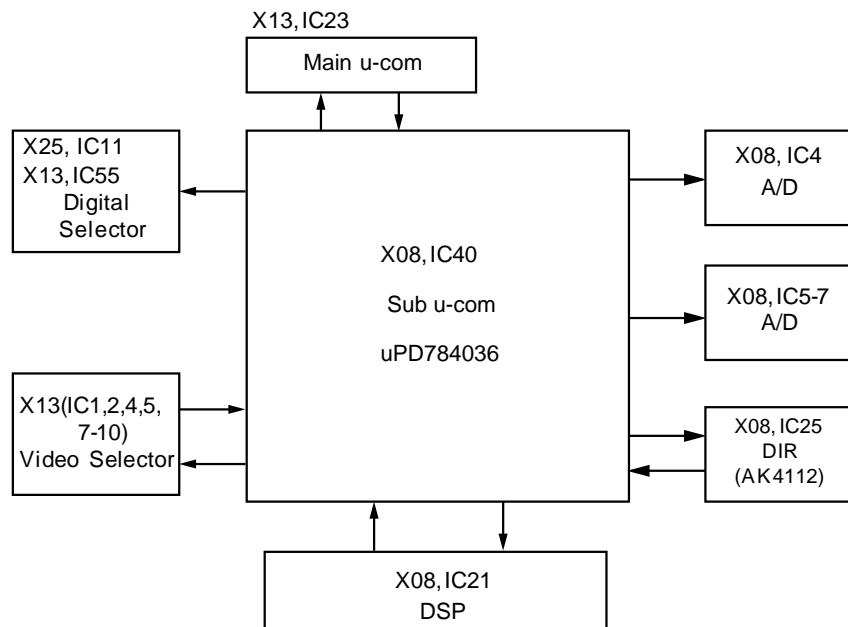
CIRCUIT DESCRIPTION

5-12 Volume IC : TC9459F(X11,IC301-304)

| CHIP SELECT CODE | | OUTPUT PORT | CHANNEL |
|------------------|------------|-------------|-----------------------|
| CS1(9Pin) | CS2(16Pin) | | |
| L | L | Lch | Room A Rch |
| | | Rch | Room A Lch |
| H | L | Lch | Room A RSch/Sp. B Rch |
| | | Rch | Room A LSch/Sp. B Lch |
| L | H | Lch | Room A SWch |
| | | Rch | Room A Cch |
| H | H | Lch | Room B Rch |
| | | Rch | Room B Lch |

6. Sub Microprocessor : uPD784036(X08,IC40)

6-1 Sub Microprocessor Periphery Block Diagram



6-2 Pin Description

| Pin No. | Pin Name | I/O | Description |
|---------|----------|-----|--|
| 1 | DIR_PD | O | DIR Power Down |
| 2 | DIR_CS | O | DIR Chip Select |
| 3 | REC_6dB | O | REC Gain Changeover(When HDCD +6dB) H : +6dB on |
| 4 | CTRL_A | O | Video Selector Control A(9993) |
| 5 | CTRL_B | O | Video Selector Control B(9993) |
| 6 | FSC_CTRL | O | Video Selector FSC Control(9993) |
| 7 | RESET | I | Reset in |
| 8 | VDD | | +5V Power Supply |
| 9 | X2 | - | 8.0MHz Oscillator |
| 10 | X1 | - | 8.0MHz Oscillator |
| 11 | VSS | - | Connected to GND |
| 12 | COMP_A_A | O | Composite Select RoomA A |
| 13 | COMP_A_B | O | Composite Select RoomA B |
| 14 | COMP_A_C | O | Composite Select RoomA C |
| 15 | COMP_A_D | O | Composite Select RoomA D |
| 16 | COMP_A_E | O | Composite Select RoomA E |
| 17 | COMP_B_A | O | Composite Select RoomB A |
| 18 | COMP_B_B | O | Composite Select RoomB B |
| 19 | COMP_B_E | O | Composite Select RoomB E |
| 20 | VSEL | O | VSEL |

CIRCUIT DESCRIPTION

| Pin No. | Pin Name | I/O | Description |
|---------|-------------------|-----|---|
| 21 | <u>SUB_MUTE</u> | O | Sub Microcomputer Analog Mute |
| 22 | <u>DAIN_MUTE</u> | I | DAC Input Mute |
| 23 | NC | I | Unused |
| 24 | PCM ZERO | I | PCM Zero Data Detection(KPCM) |
| 25 | <u>D.R.I.V.E.</u> | O | DSP DRIVE/HDCD Control(KPCM) L: DRIVE/HDCD on |
| 26 | HDCD_6dB | I | DSP HDCD +6dB Detection |
| 27 | OVER_LEVEL | I | DSP Over Level Detection |
| 28 | DTS_SENS | I | DSP DTS Header Detection(KPCM) |
| 29 | <u>MUTE</u> | O | DSP Mute Control |
| 30 | HDCD | I | DSP HDCD Signal Detection |
| 31 | BUSY | I | DSP Status BUSY |
| 32 | <u>DSP_RESET</u> | O | DSP IC Reset |
| 33 | <u>RD/WR</u> | O | DSP <u>RD/WR</u> |
| 34 | <u>REQ</u> | O | DSP <u>REQ</u> |
| 35 | <u>ACK</u> | I | DSP <u>ACK</u> |
| 36-43 | DATA_7-0 | I/O | DSP DATA_7-0 |
| 44 | NC | - | Unused |
| 45 | GND | - | Connected to GND |
| 46 | TEST | - | Connected to GND |
| 47 | MREQ | I | Main Computer Master Request |
| 48 | SREQ | O | Main Computer Slave Request |
| 49 | MCK | I | Main Computer Master Clock |
| 50 | MDT | I | Main Computer Master Data |
| 51 | SDT | O | Main Computer Slave Data |
| 52 | Y_C_SEL_B | O | Y/C Select B |
| 53 | Y_C_SEL_A | O | Y/C Select A |
| 54 | DAC96 | O | DAC Double speed sampling mode control |
| 55 | VDD | - | +5V Power Supply |
| 56-58 | DSEL_C-A | O | Digital Input Selector Control C-A |
| 59 | CTRL_A2 | O | Video Selector Control A2 |
| 60 | OPT_DET | O | OPTICAL Digital Input Detection (A/Din) |
| 61 | <u>AD_RESET</u> | O | ADC Reset |
| 62 | <u>DAOUT_MUTE</u> | O | DAC Output Mute |
| 63 | <u>DAC_PD</u> | O | DAC Power Down |
| 64,65 | VDD | - | +3.3V Power Supply |
| 66 | GND | - | Connected to GND |
| 67,68 | NC | - | Unused |
| 69,70 | VCC | - | +3.3V Power Supply |
| 71 | - | - | Unused |
| 72 | Y_DETECT | I | Y Detect |
| 73 | ERF | I | DIR Error Flag |
| 74 | AUTO | I | DIR Auto Data Detection |
| 75 | FS96 | I | DIR fs 96kHz Detection |
| 76 | CCLK | O | DIR Control Clock |
| 77 | C_K_DETECT | I | C K Detection |
| 78 | C_DETECT | I | C Detection |
| 79 | CDTO | I | DIR Control Data Out |
| 80 | CDTI | O | DIR Control Data In |

KRF-V7773D/V7773D-B/V9993D

CIRCUIT DESCRIPTION

7. Description of Digital Selector and Video Selector (X08, IC40)

7-1 Digital Selector

KRF-V9993D/VR-4900/VR4700/VR-4090 (for OPT and COAX)

| Input | DSELA (58Pin) | DSELB (57Pin) | DSELC (56Pin) |
|----------|------------------|------------------|------------------|
| CD1 | L | H | L |
| MD/TAPE1 | H | H | L |
| CD-R | L | L | H |
| VIDEO2 | H | L | H |
| VIDEO3 | L | H | H |
| VIDEO4 | H | H | H |
| DVD | H | L | L |
| others | L | L | L |

KRF-V7773D/ VR-4080

| Input | DSELA (58Pin) | DSELB (57Pin) | DSELC (56Pin) |
|---------------|------------------|------------------|------------------|
| CD1(OPT) | L | H | L |
| VIDEO2(COAX) | L | H | L |
| VIDEO3(COAX) | H | H | L |
| DVD(OPT/COAX) | H | L | L |
| others | L | L | L |

7-2 Video Selector

- VSEL(Pin20)

| | VSEL |
|--------|------|
| VIDEO1 | L |
| VIDEO2 | H |
| VIDEO3 | H |
| VIDEO4 | L |
| AV-AUX | L |
| DVD | L |
| V MUTE | L |

- Y_C_SEL(Pin53,52)

Y_DETECT(Pin72) = H

| | Y_C_SEL_A | Y_C_SEL_B |
|--------|-----------|-----------|
| VIDEO1 | L | H |
| VIDEO2 | L | H |
| VIDEO3 | L | H |
| VIDEO4 | L | H |
| AV-AUX | L | H |
| DVD | H | L |
| V MUTE | H | H |

Y_DETECT(Pin72) = L

| | Y_C_SEL_A | Y_C_SEL_B |
|--------|-----------|-----------|
| VIDEO1 | L | L |
| VIDEO2 | L | L |
| VIDEO3 | L | L |
| VIDEO4 | L | L |
| AV-AUX | L | L |
| DVD | L | L |
| V MUTE | H | H |

- CTRL(Pin4,5,59)

C_DETECT(Pin78) = L

| | CTRL_A | CTRL_A2 | CTRL_B |
|--------|--------|---------|--------|
| VIDEO1 | L | L | H |
| VIDEO2 | L | L | H |
| VIDEO3 | L | L | H |
| VIDEO4 | L | L | L |
| AV-AUX | L | L | H |
| DVD | H | H | L |
| V MUTE | H | H | H |

- C_DETECT(Pin78) = H

C_K_DET(Pin77) = L

| | CTRL_A | CTRL_A2 | CTRL_B |
|--------|--------|---------|--------|
| VIDEO1 | L | L | H |
| VIDEO2 | L | L | H |
| VIDEO3 | L | L | H |
| VIDEO4 | L | L | H |
| AV-AUX | L | L | H |
| DVD | L | L | H |
| V MUTE | H | H | H |

C_K_DET(Pin77) = H

| V_SEL | CTRL_A | CTRL_A2 | CTRL_B |
|--------|--------|---------|--------|
| VIDEO1 | L | H | H |
| VIDEO2 | L | H | H |
| VIDEO3 | L | H | H |
| VIDEO4 | L | H | H |
| AV-AUX | L | H | H |
| DVD | L | H | H |
| V MUTE | H | H | H |

- COMP_A(Pin11,12,13,14,15,16)

Y_DETECT(Pin72) = H

| | COMP_A_A | COMP_A_B | COMP_A_C | COMP_A_D | COMP_A_E |
|--------|----------|----------|----------|----------|----------|
| VIDEO1 | L | L | L | L | L |
| VIDEO2 | H | H | L | L | L |
| VIDEO3 | H | L | L | L | L |
| VIDEO4 | L | H | H | L | L |
| AV-AUX | L | H | L | L | L |
| DVD | L | H | L | L | L |
| V MUTE | L | H | L | H | H |

CIRCUIT DESCRIPTION

Y_DETECT(Pin72) = L

| | COMP_A_A | COMP_A_B | COMP_A_C | COMP_A_D | COMP_A_E |
|--------|----------|----------|----------|----------|----------|
| VIDEO1 | L | L | L | L | H |
| VIDEO2 | H | H | L | L | H |
| VIDEO3 | H | L | L | L | H |
| VIDEO4 | L | H | H | L | H |
| AV-AUX | L | H | L | L | H |
| DVD | L | H | L | H | L |
| V MUTE | L | H | L | H | H |

• COMP_B(Pin17,18,19)

| | COMP_B_A | COMP_B_B | COMP_B_C |
|--------|----------|----------|----------|
| VIDEO1 | H | H | H |
| VIDEO2 | H | H | L |
| VIDEO3 | L | H | L |
| VIDEO4 | H | L | L |
| DVD | L | L | L |

• KRF-V7773D/VR-4080

| | COMP_A | | | | | Y_C_SEL | | V_SEL | CTRL | |
|--------|--------|---|---|---|---|---------|---|-------|------|---|
| | A | B | C | D | E | A | B | | A | B |
| VIDEO1 | L | L | L | L | H | L | H | L | L | L |
| VIDEO2 | H | H | L | L | H | L | H | L | L | L |
| VIDEO3 | H | L | L | L | H | L | H | L | L | L |
| VIDEO4 | L | H | H | L | H | L | H | L | L | L |
| AV-AUX | L | H | L | L | H | L | H | L | L | L |
| DVD | L | H | L | H | L | H | L | L | L | L |
| V MUTE | L | H | L | H | H | H | H | L | L | L |

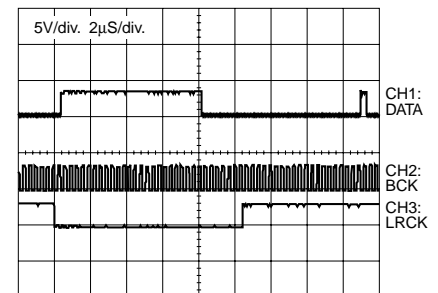
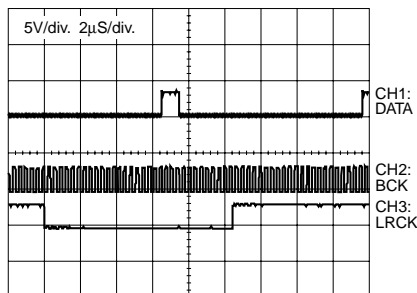
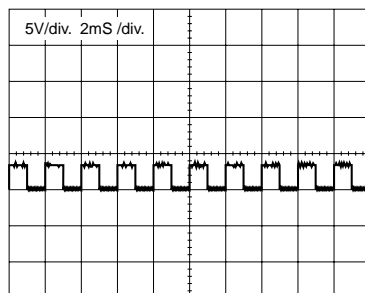
8. DSP IC: ADSP-21065L(X08,IC21) CHECK METHOD

Note: This IC is scarcely damaged. Pay attention to poor soldering if replace it.

1. Set the selector to ANALOG(TAPE or TUNER). In this mode, Fs will be 48kHz.
2. Set the mode to JAZZ CLUB.
3. Check the square waveform which is 500Hz period at #76(FLG11) of IC. It is good if #76 has the waveform.
4. Check the waveform which is 30MHz at #30(CLKIN) of IC.
5. Check the voltage which is 3.3V at #157(RESET) of IC
6. Check the every ports which are 48MHz at #7(TFS0), #13(RFS1) and #18(TFS1) of IC
7. Check the every ports which are 3.07MHz at #8(TCLK0) and #15(RCLK1) of IC.
8. Check the waveform which are data at #16(DR1A) of IC. Refer to figures.

X08, IC21 (76pin)

FLG11 waveform in JAZZ club selected to TAPE.



DATA waveform will change figure by trigger as above.

Check the AD converter and DIR and oscillation circuitry if you can get no good at above steps.

9. Check the waveform which are data at #11(DT0A), #12(DT0B) and #22(DT1A) of IC.

Check the DA converter and so if you can get step9, too.

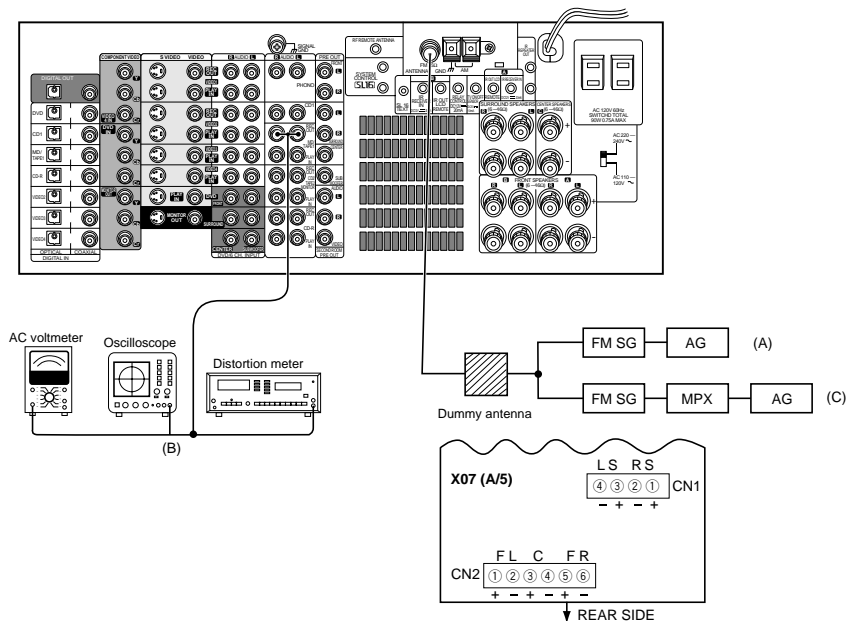
ADJUSTMENT

X05-513X-XX

X05-514X-XX

| No. | ITEM | INPUT SETTINGS | OUTPUT SETTINGS | RECEIVER SETTINGS | ALIGNMENT POINTS | ALIGN FOR | FIG. |
|----------------------|---------------------|---|--|--------------------------------------|---|---|------|
| FM SECTION : | | SELECTOR : FM | | *Adjust NO.1 and NO.2 repeat. | | | |
| 1 | DISCRIMINATOR | (A) 98.0MHz 1kHz, ±40kHz dev. 70dBf (ANT. input) | Connect a DC voltmeter between CN2 ① and CN2 ② (X05) | MONO 98.0MHz | L4 (X05-) | 0V | |
| 2 | DISTORTION (MONO) | (A) 98.0MHz 1kHz, ±40kHz dev. MONO 70dBf (ANT. input) | (B) | MONO 98.0MHz | L5 (X05-) | Minimum distortion | |
| 3 | DISTORTION (STEREO) | (C) 98.0MHz 1kHz, ±40kHz dev. Selector : L or R Pilot : ±6kHz dev. 70dBf (ANT. input) | (B) | AUTO 98.0MHz | IFT(RF FRONTEND : A1) (X05-) | Minimum distortion (L or R) | |
| 4 | TUNING LEVEL | (A) 98.0MHz MONO 1kHz, ±40kHz dev. 30dBf (ANT. input) | — | MONO 98.0MHz | VR1 (X05-) | Adjust VR1 and stop at the point where ED1 (TUNED) goes on. | |
| AUDIO SECTION | | SPEAKER : A | | PREOUT : OFF | | PROLOGIC : ON | |
| <1> | IDLE CURRENT | — | Connect a DC voltmeter across each T.P. CN2(①, ②) FLch CN2(③, ④) Cch CN2(⑤, ⑥) FRch CN1(①, ②) RSch CN1(③, ④) LSch X07(A/5) | (FRONT 2ch MODE) Volume:0 | VR1(FL) VR2(FR) VR3(LS) VR4(RS) VR5(CENTER) (X09-) | 10mV | |

SYSTEM CONNECTIONS

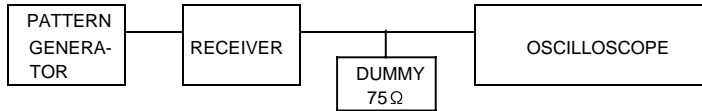


ADJUSTMENT

Adjustment of Sub Color and Contrast (X35, VR1, VR2)

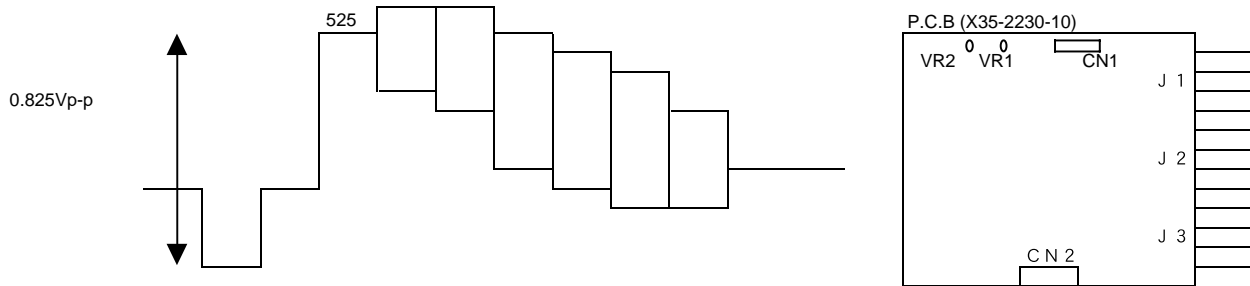
| No. | ITEM | INPUT SETTINGS | OUTPUT SETTINGS | ALIGNMENT POINTS | ALIGNMENT FOR | FIG. |
|-----|-----------|-------------------------------------|---|------------------|--|-------|
| 1 | SUB COLOR | PAL 75% COLOR BAR (NO SET UP) | Connect a component video output(Y) to oscilloscope with 75Ω. | VR2 | (Adjust an amplitude of video signal.) 0.825Vp - p | FIG.1 |
| 2 | CONTRAST | PAL 75% COLOR BAR (NO SET UP) | Connect a component video output(Cb,Cr) to oscilloscope with 75Ω. | VR1 | (Adjust an amplitude of video signal.) ±0.525Vp - p | FIG.2 |

INSTRUMENTS CONNECTION

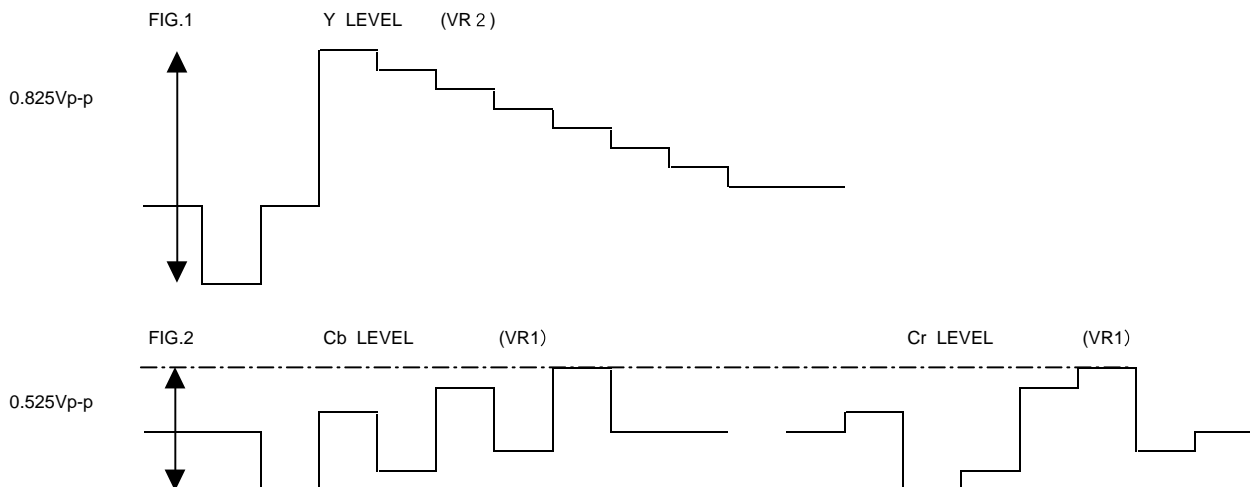


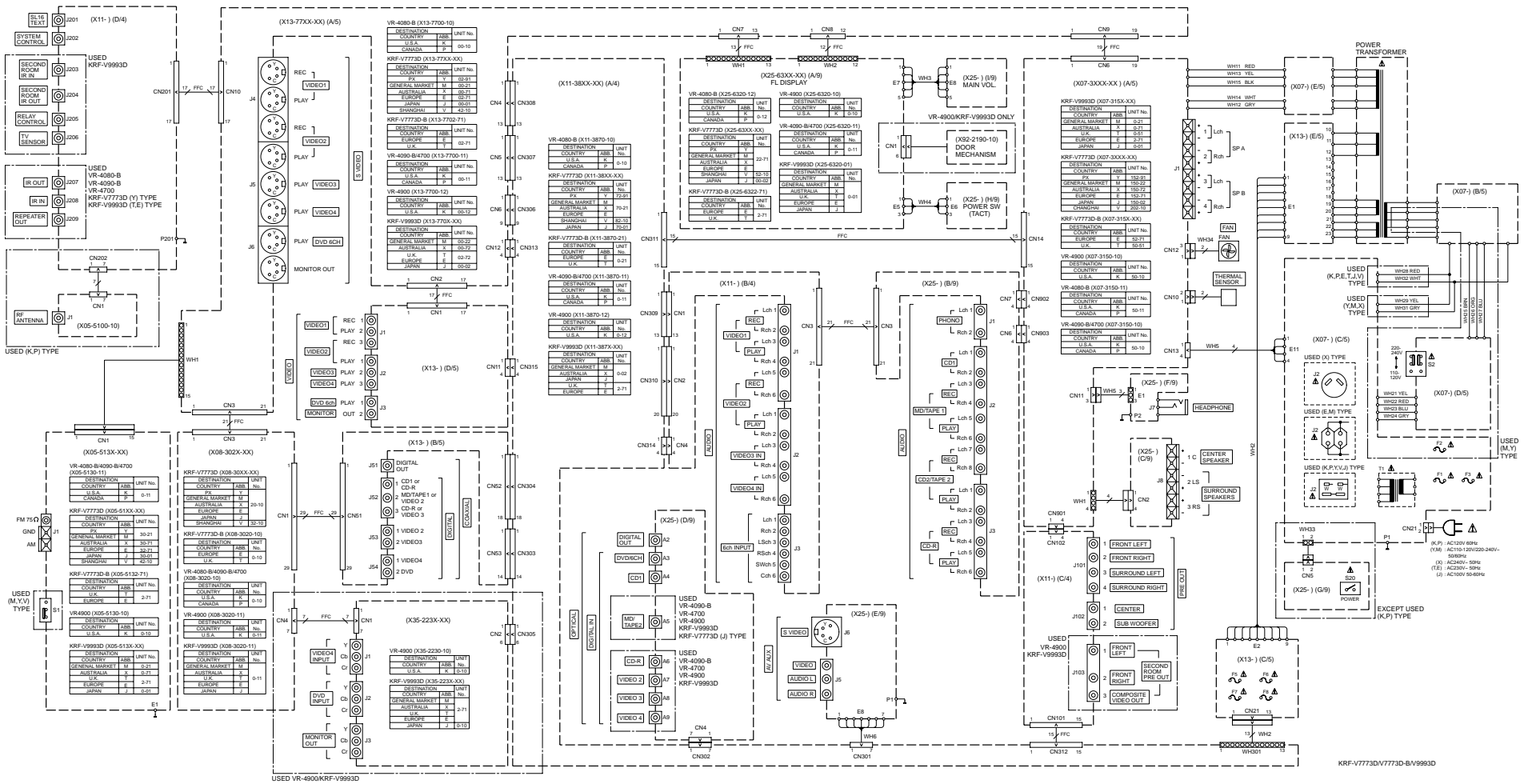
INPUT SIGNAL : 75% COLOR BAR SIGNAL

| PARAMETER | | WHITE | YELLOW | CYAN | GREEN | MAGENTA | RED | BLUE |
|--------------------|-----|-------|--------|------|-------|---------|-----|------|
| LUMINANCE LEVEL | mV | 525 | 465 | 368 | 308 | 217 | 157 | 60 |
| | IRE | | | | | | | |
| CHROMA LEVEL | mV | 0 | 470 | 664 | 620 | 620 | 664 | 470 |
| | IRE | | | | | | | |
| CHROMA PHASE (deg) | +V | | 167 | 283 | 241 | 61 | 103 | 347 |
| | -V | | 193 | 77 | 119 | 299 | 257 | 13 |



ADJUSTMENT OUTPUT SIGNAL :





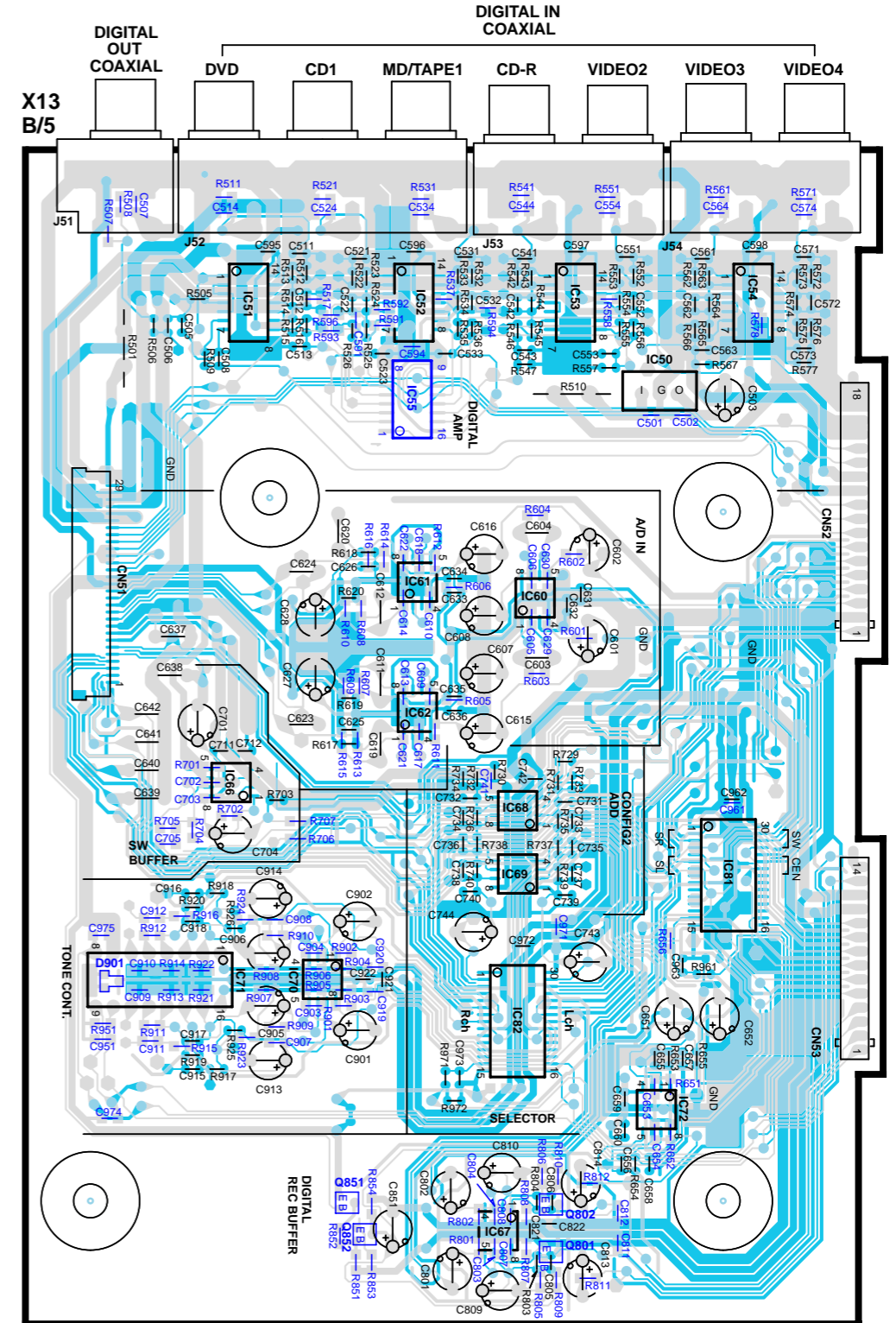
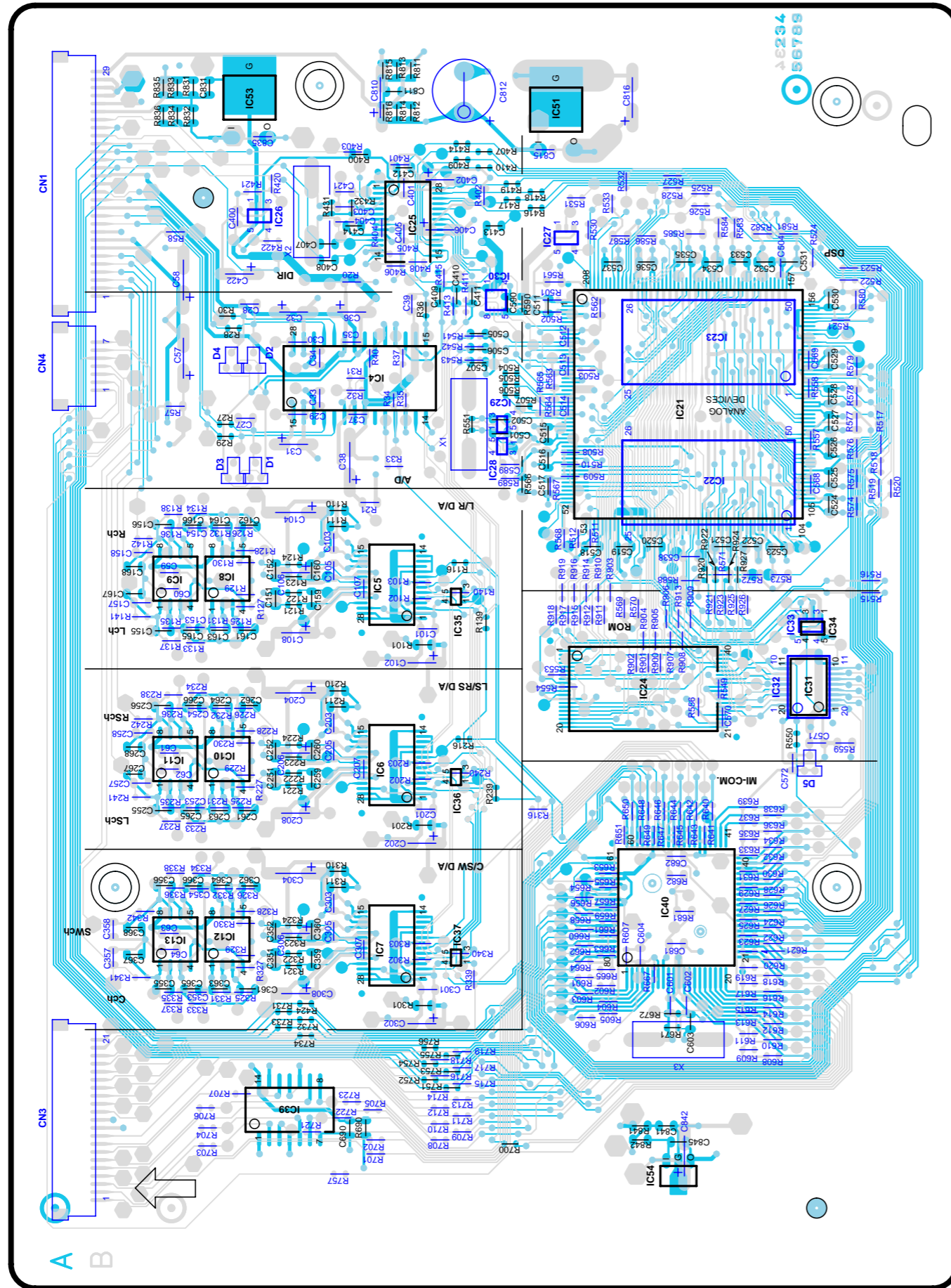
WIRING DIAGRAM

KRF-V7773D/V7773D-B/V9993D

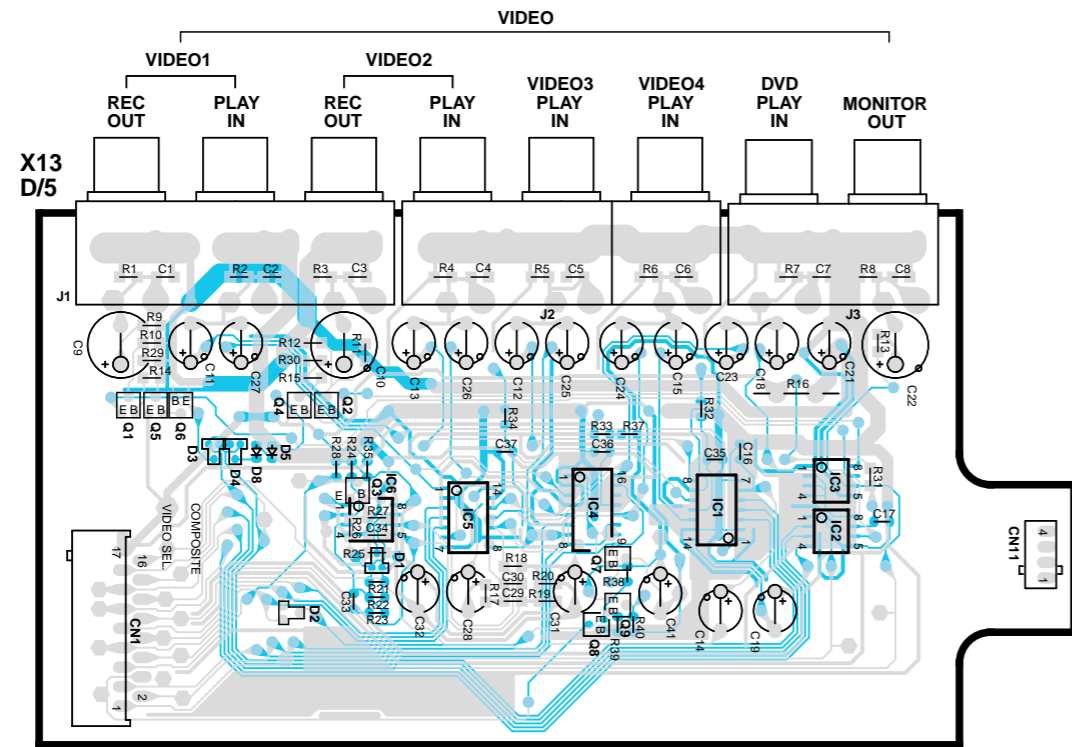
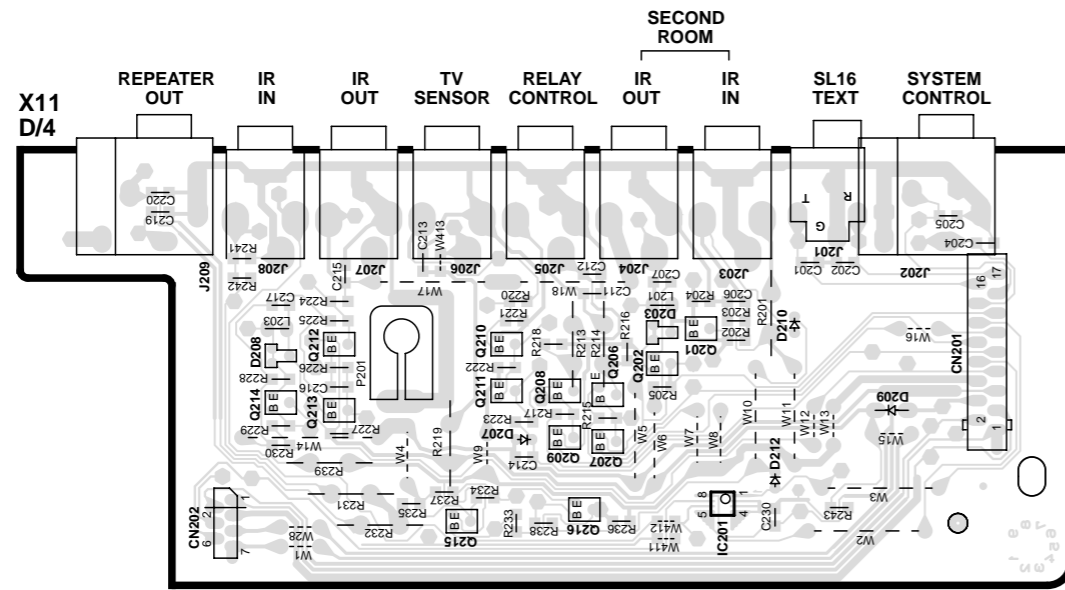
KRF-V7773D/V7773D-B/V9993D

PC BOARD(Component side view)

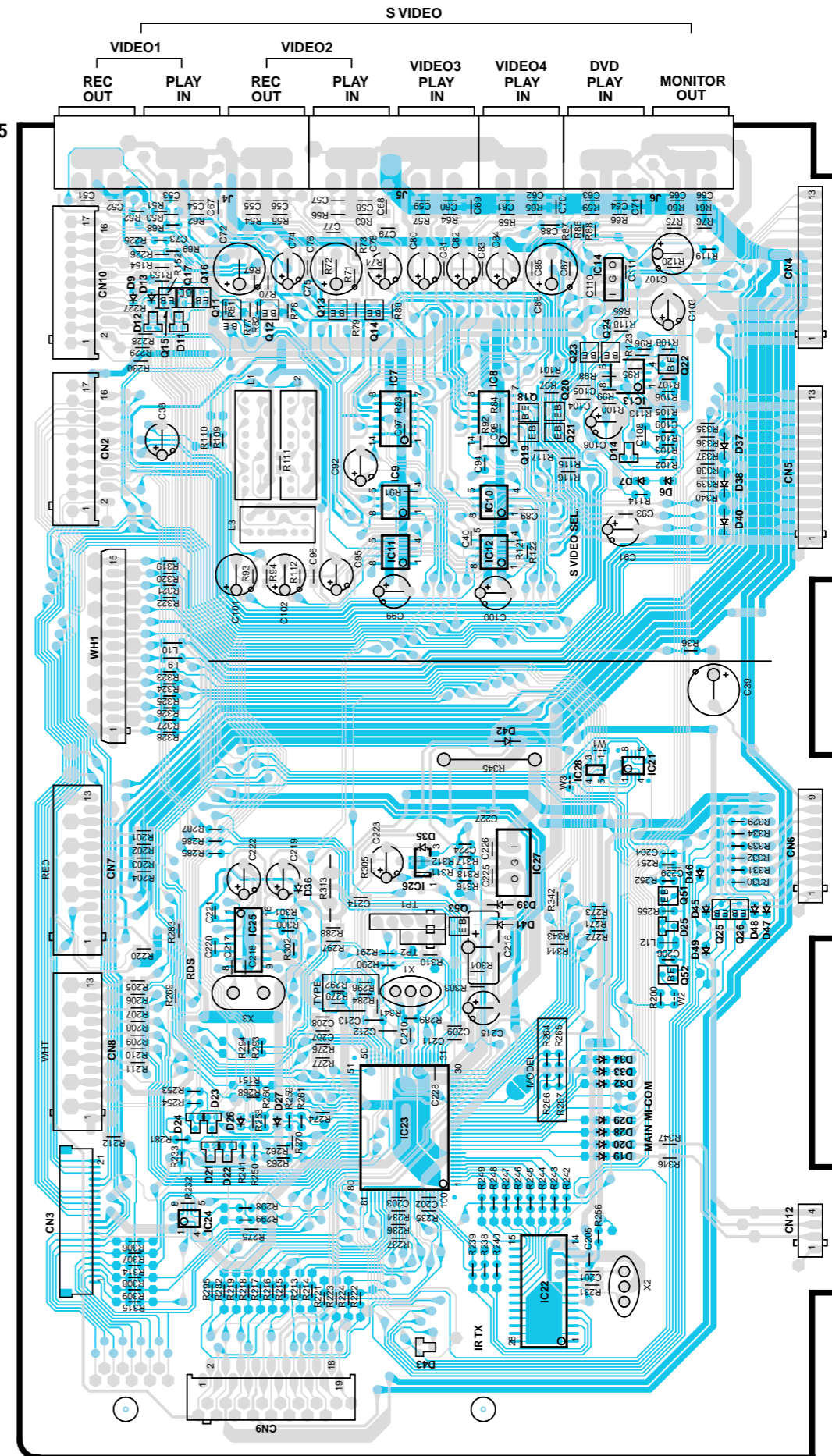
X08-3020-10 (J70-1361-22)



PC BOARD(Component side view)



X13-7700-10 A/5
(J70-1375-31)



PC BOARD(Component side view)

X11-3870-10 A/4 (J70-1388-11)

2

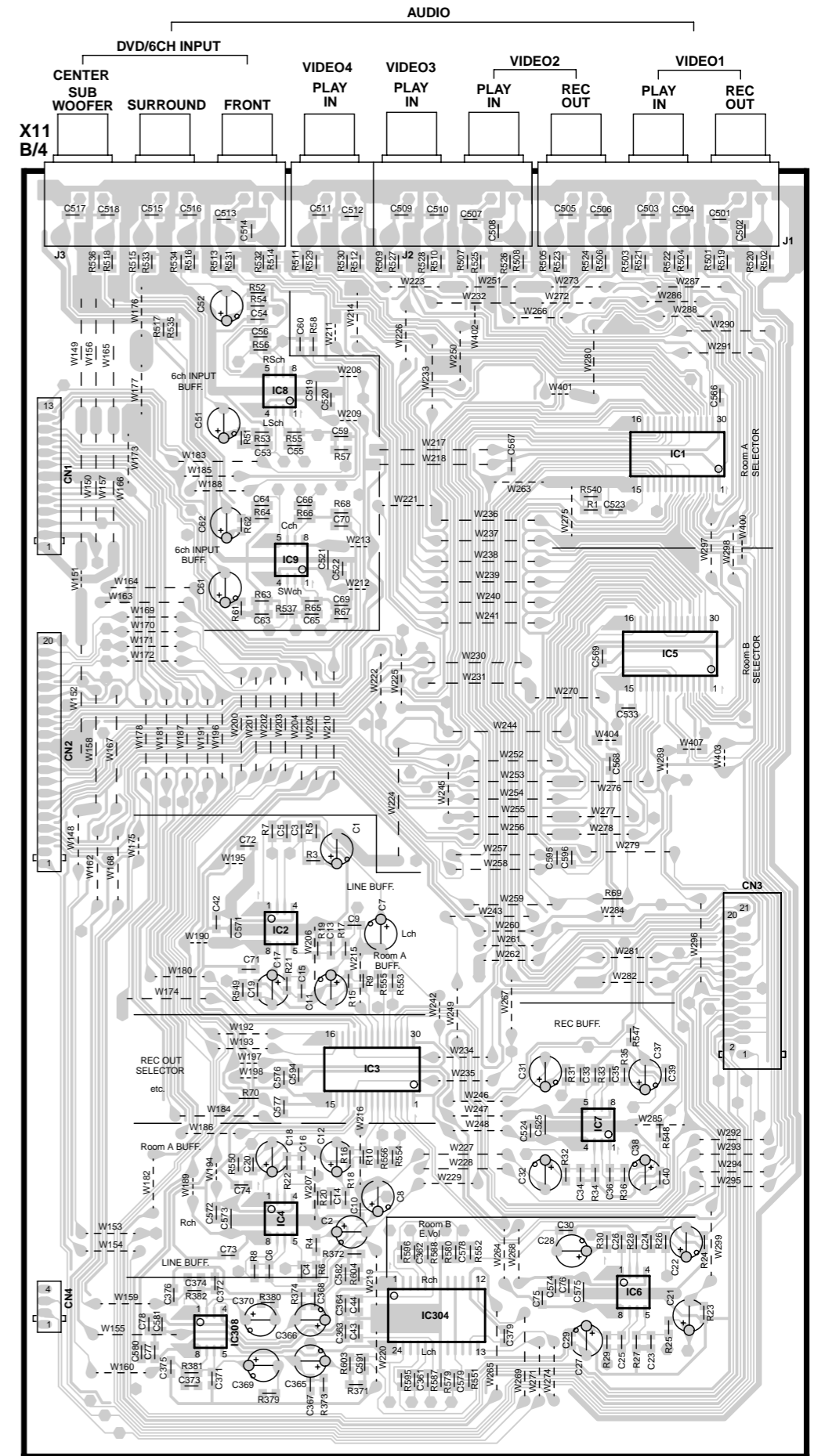
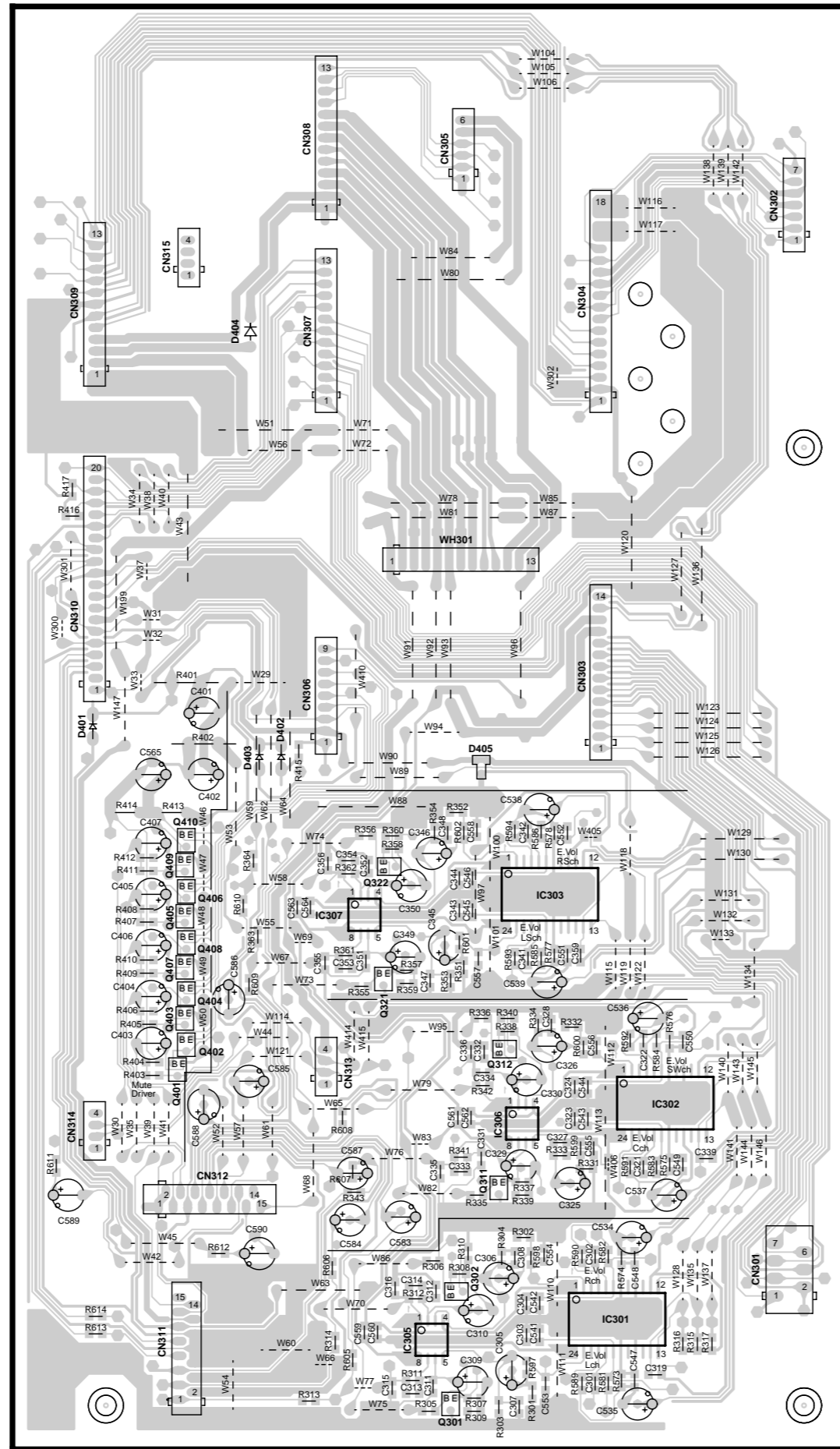
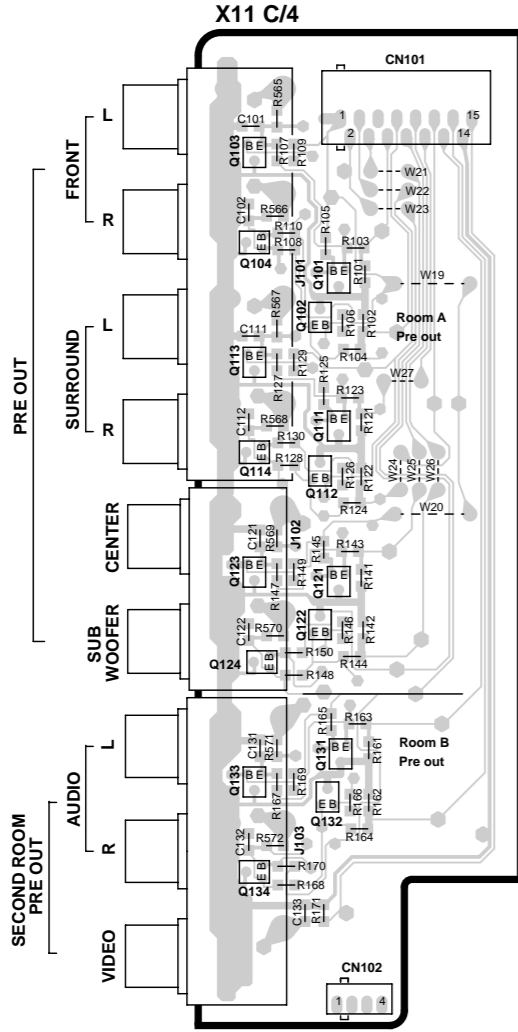
3

4

5

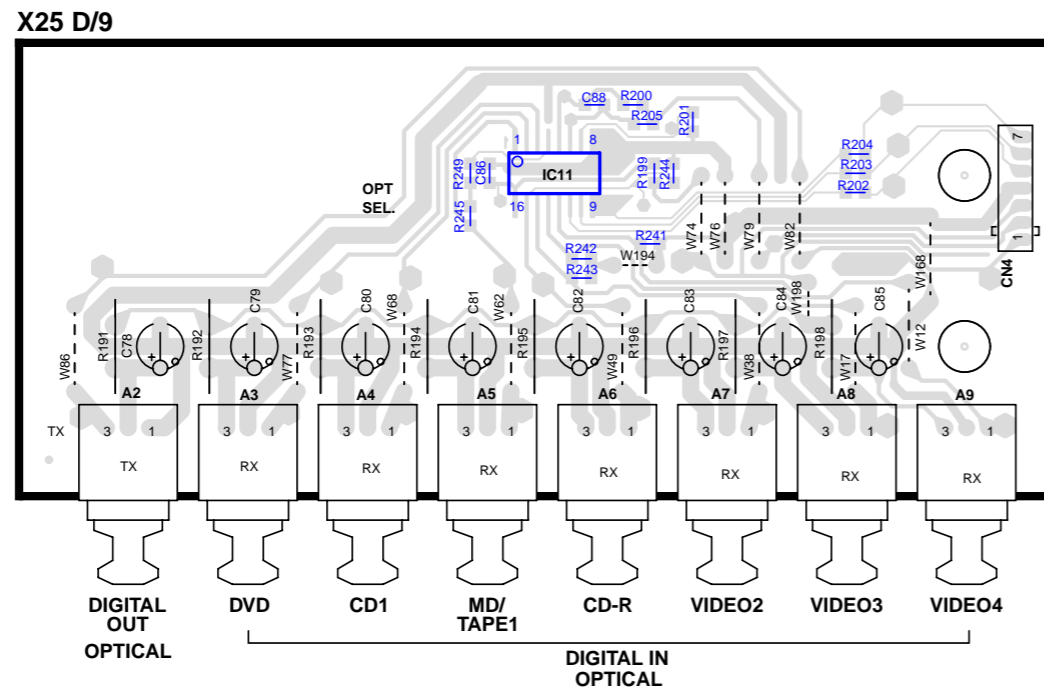
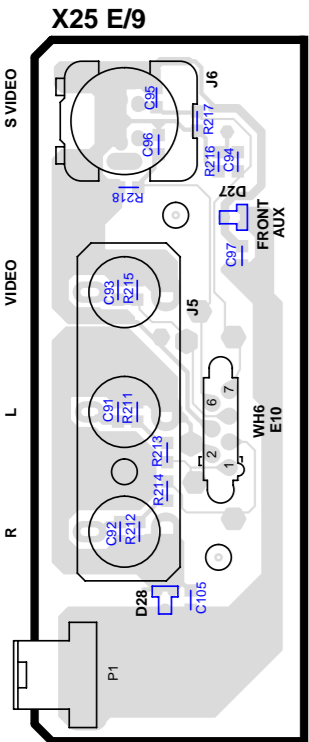
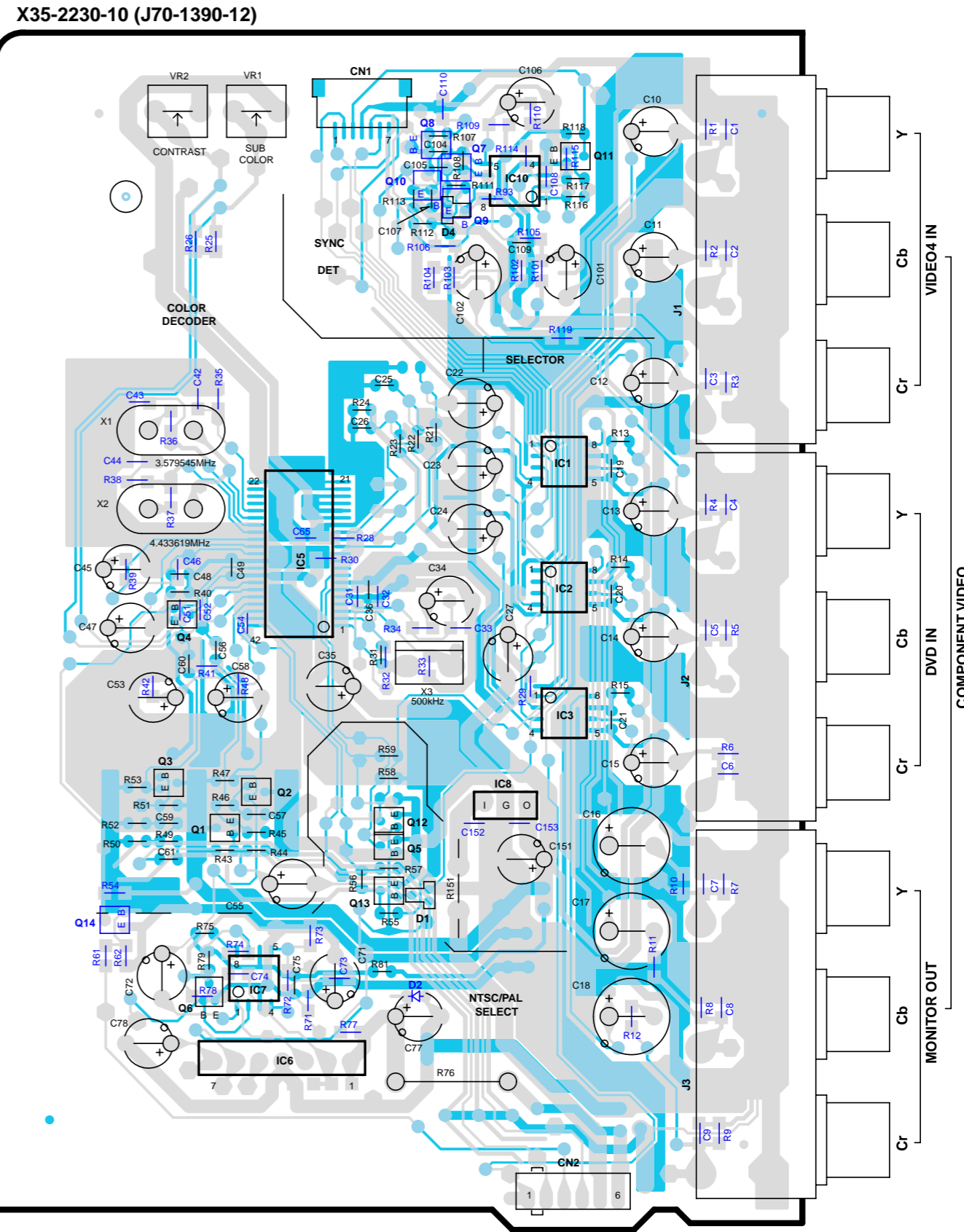
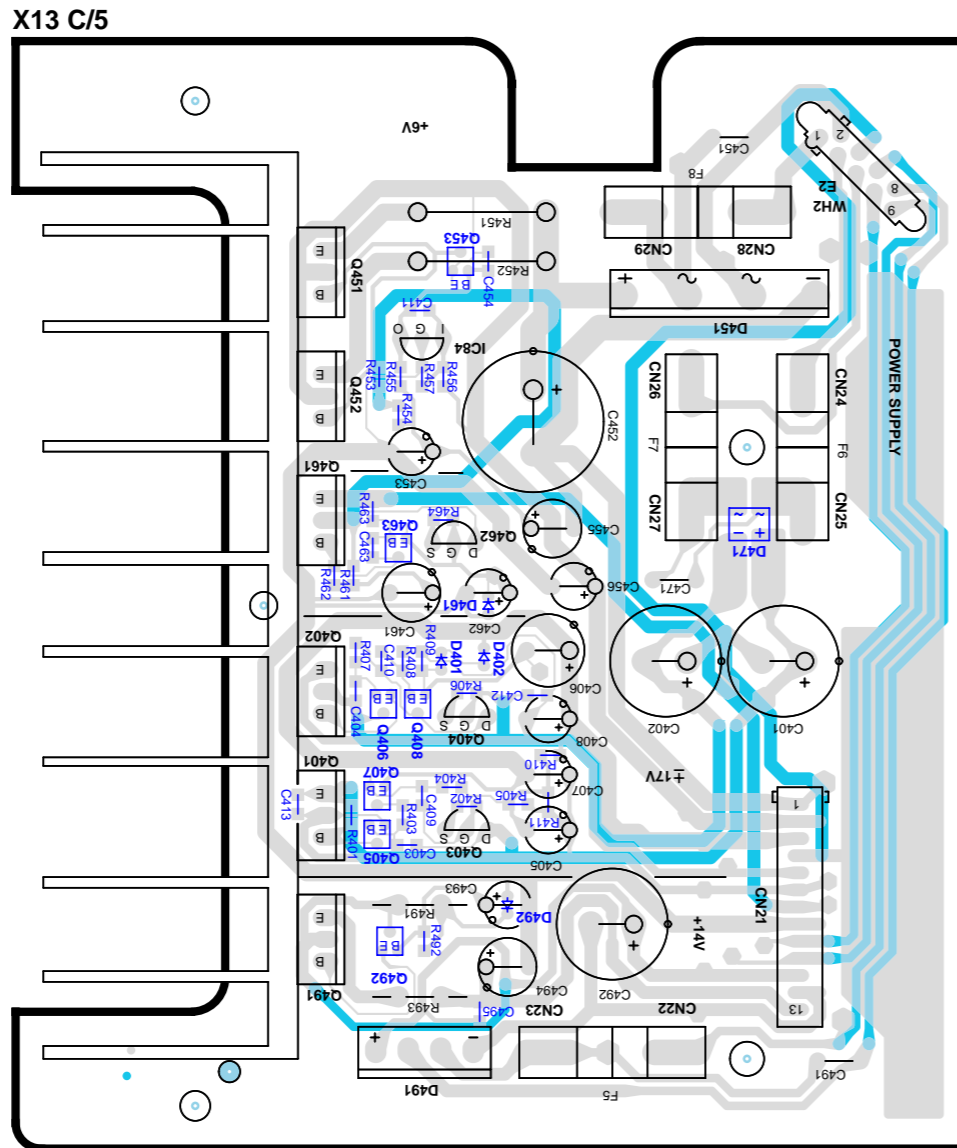
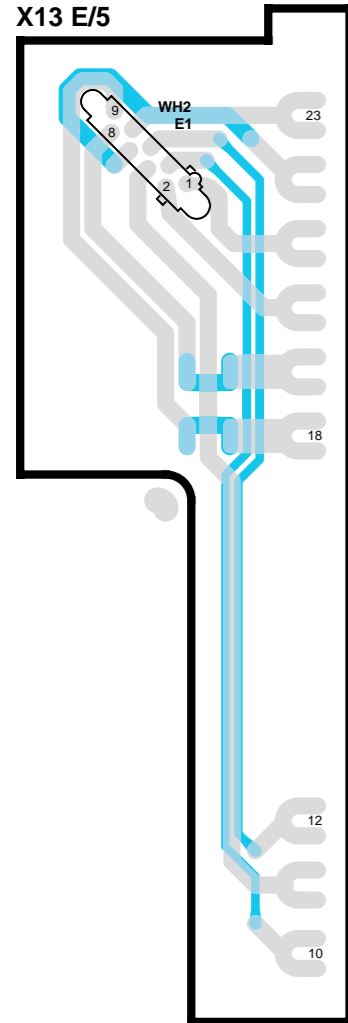
6

7



Refer to the schematic diagram for the value of resistors and capacitors.

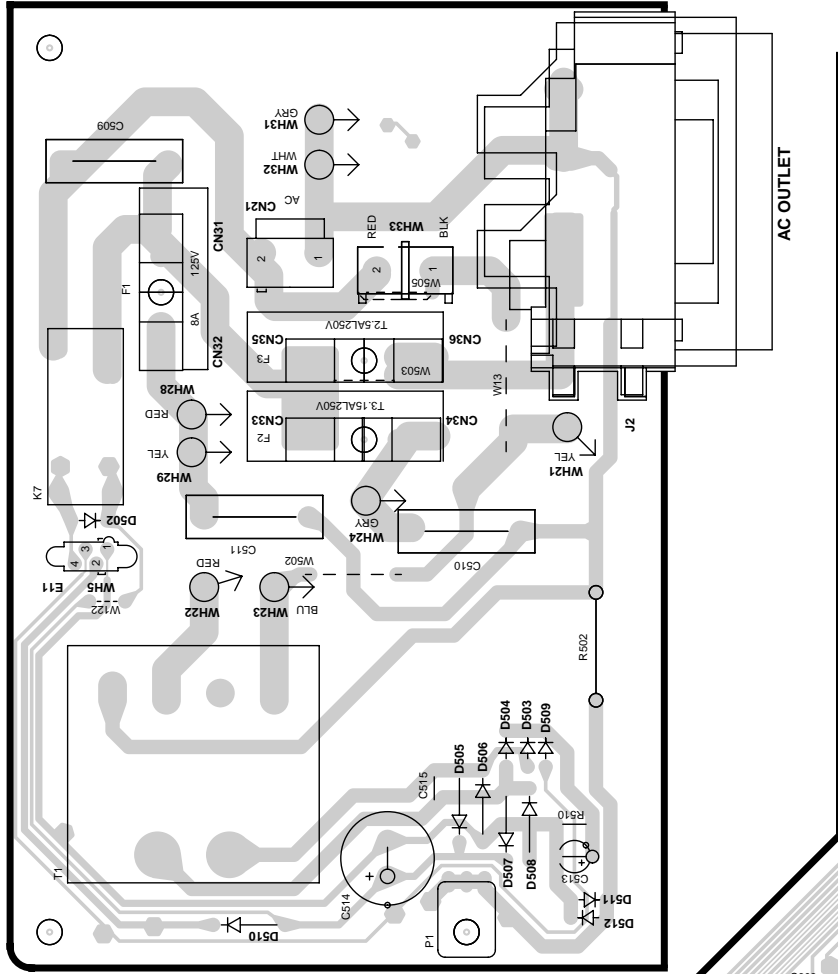
PC BOARD(Component side view)



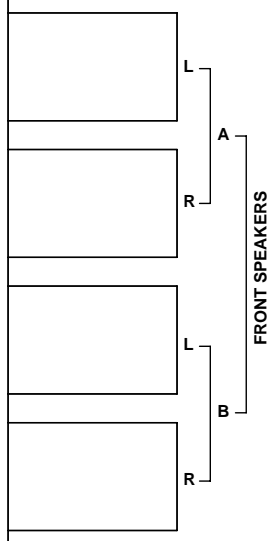
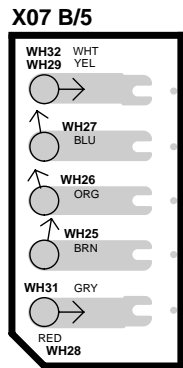
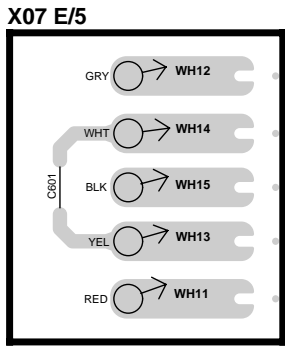
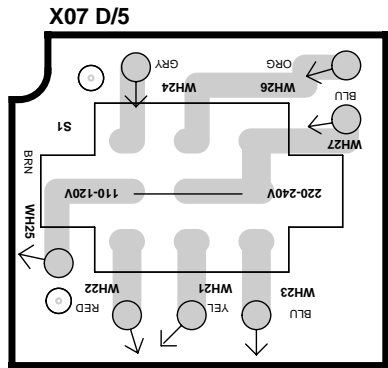
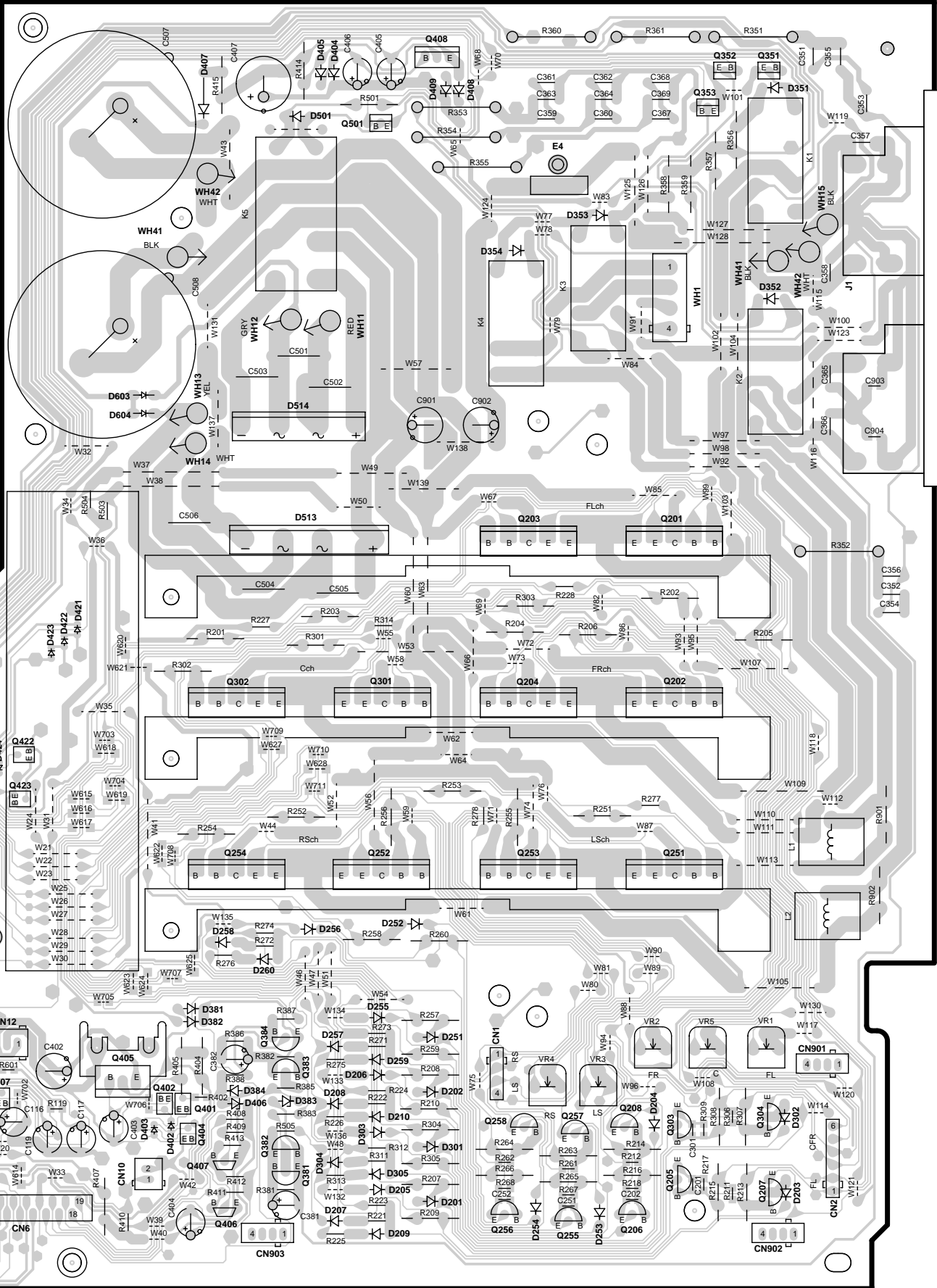
PC BOARD (Component side view)

1
2
3
4
5
6
7

X07 C/5

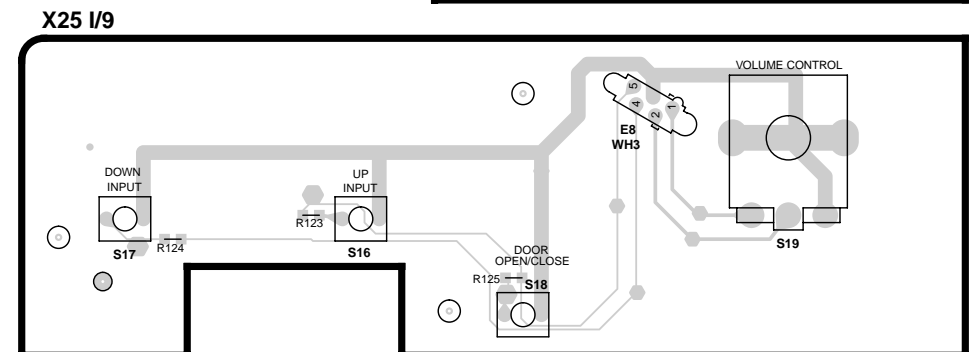
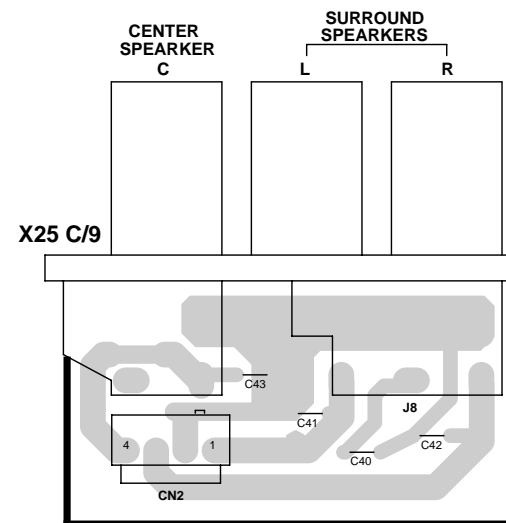
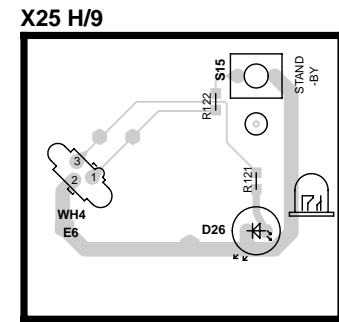
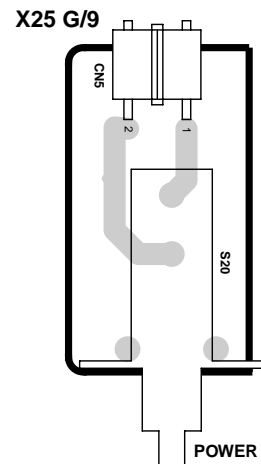
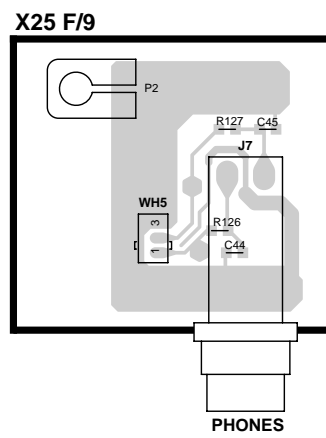
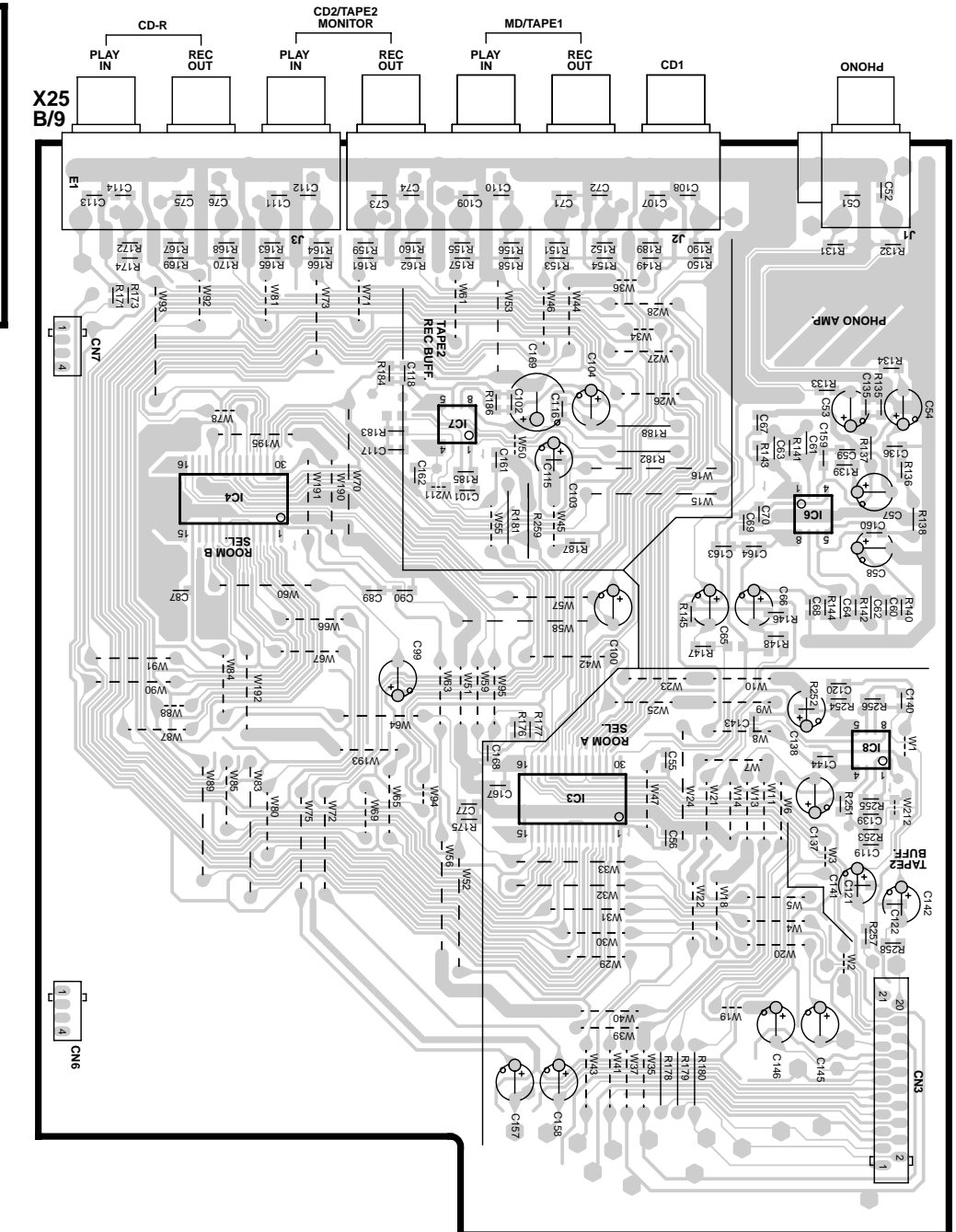
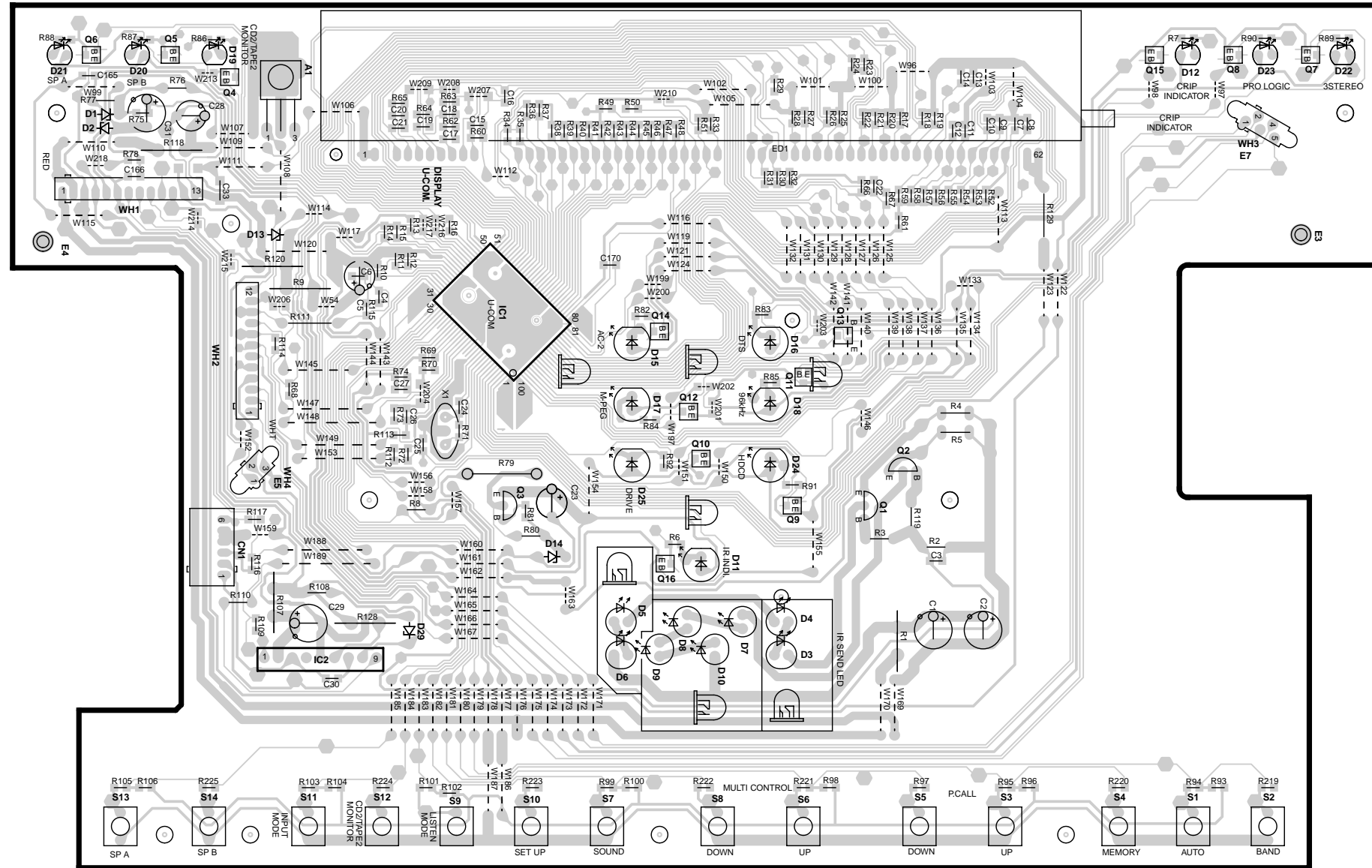


X07-3150-10 A/5 (J70-1389-11)



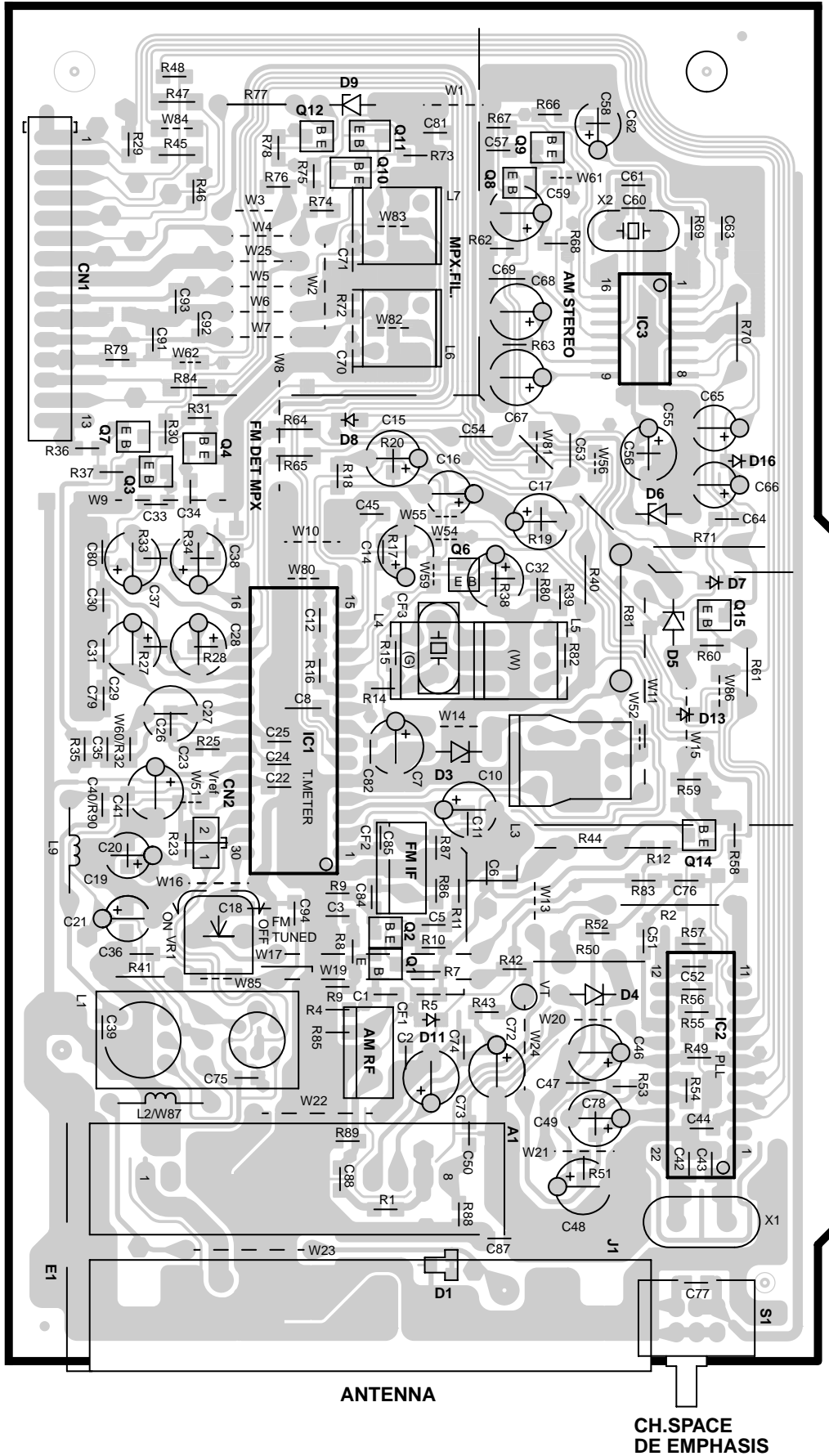
PC BOARD (Component side view)

X25-6320-10 A/9 (J70-1380-11)



PC BOARD (Component side view)

X05-5130-10 (J70-1381-11)

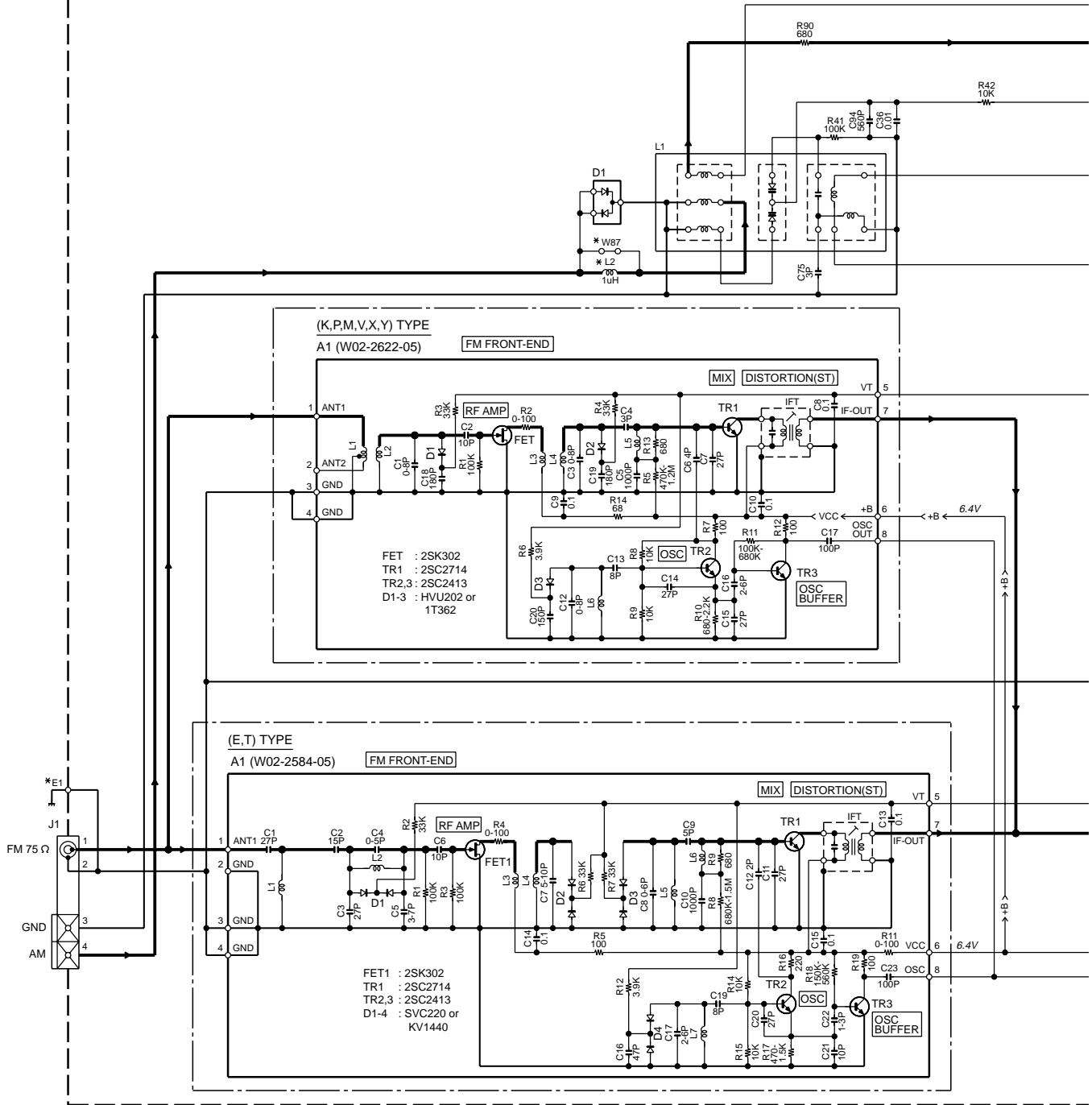


ANTENNA

CH.SPAC
DE EMPHASIS

Refer to the schematic diagram for the value of resistors and capacitors.

TUNER UNIT (X05-51XX-XX)



KRF-V7773D (X05-51XX-XX)

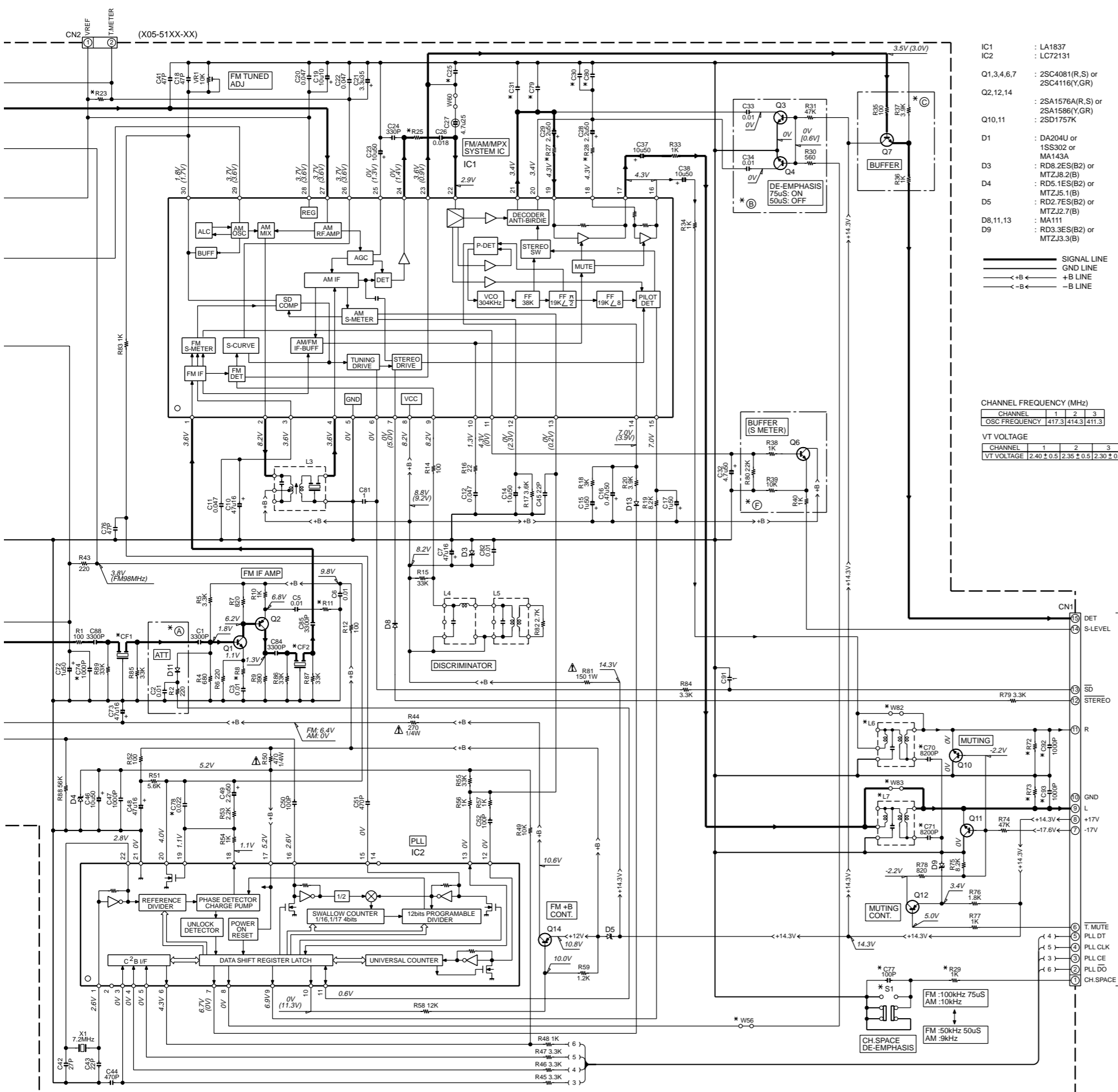
| DESTINATION | COUNTRY | ABB. | UNIT No. | (A) | (C) | (F) | (E) | R8 | R11 | R23 | R25 | R27, 28 | R29 | R72, 73 | C25 | C30, 31 | C70, 71 | C74 | C77 | C78 | C79, 80 | C92, 93 | L2, 6, 7 | CF1,2 | W56 | W82, 83,87 | S1 | E1 |
|----------------|---------|------|----------|-----|-----|-----|-----|----|-----|------|-----|---------|-----|---------|------|---------|---------|-----|-----|-----|---------|---------|----------|----------------|-----|------------|-----|----------|
| PX | Y | M | 30-21 | | | | YES | 33 | 33 | 4.7K | 18K | 6.8K | YES | 33K | 330P | | | NO | YES | YES | 1500P | YES | NO | L72-0531 (MA5) | YES | YES | YES | F10-1108 |
| GENERAL MARKET | X | M | 30-71 | | | | NO | 10 | 22 | 15K | 27K | 4.3K | NO | 3.9K | 180P | 0.022 | | NO | NO | YES | 1200P | NO | NO | L72-0536 (MS3) | NO | NO | NO | F10-1109 |
| AUSTRALIA | X | M | 30-71 | | | | NO | 10 | 22 | 15K | 27K | 4.3K | NO | 3.9K | 180P | 0.022 | | NO | NO | YES | 1200P | NO | NO | L72-0531 (MA5) | YES | YES | YES | F10-1108 |
| EUROPE | E | T | 32-71 | YES | | | NO | 10 | 22 | 15K | 27K | 4.3K | NO | 3.9K | 180P | 0.022 | YES | NO | NO | NO | 4700P | NO | YES | L72-0536 (MS3) | NO | NO | NO | F10-1109 |
| SHANGHAI | V | | 42-10 | NO | YES | | YES | 33 | 33 | 4.7K | 18K | 6.8K | YES | 33K | 330P | | | NO | YES | YES | 1500P | YES | NO | L72-0531 (MA5) | YES | YES | YES | F10-1108 |

KRF-V7773D-B (X05-5132-71)

| DESTINATION | COUNTRY | ABB. | UNIT No. | (A) | (C) | (F) | (E) | R8 | R11 | R23 | R25 | R27, 28 | R29 | R72, 73 | C25 | C30, 31 | C70, 71, 78 | C74, 77, 92, 93 | C79, 80 | L2, 6, 7 | CF1,2 | W56,82, 83,87 | S1 | E1 | |
|-------------|---------|------|----------|-----|-----|-----|-----|----|-----|-----|-----|---------|-----|---------|------|---------|-------------|-----------------|---------|----------|----------------|---------------|----|----|----------|
| U.K. | T | | 2-71 | YES | | | NO | 10 | 22 | 15K | 27K | 4.3K | NO | 3.9K | 180P | 0.022 | YES | NO | 4700P | YES | L72-0536 (MS3) | NO | NO | NO | F10-1109 |
| EUROPE | E | | 2-71 | YES | | | NO | 10 | 22 | 15K | 27K | 4.3K | NO | 3.9K | 180P | 0.022 | YES | NO | 4700P | YES | L72-0536 (MS3) | NO | NO | NO | F10-1109 |

KRF-V9993D (X05-513X-XX)

| DESTINATION | COUNTRY | ABB. | UNIT No. | (A) | (C) | (F) | (E) | R8 | R11 | R23 | R25 | R27, 28 | R29 | R72, 73 | C25 | C30, 31 | C70, 71 | C74 | C77 | C78 | C79, 80 | C92, 93 | L2, 6, 7 | CF1,2 | W56 | W82, 83,87 | S1 | E1 |
|----------------|---------|------|----------|-----|-----|-----|-----|----|-----|------|-----|---------|-----|---------|------|---------|---------|-----|-----|-----|---------|---------|----------|----------------|-----|------------|-----|----------|
| GENERAL MARKET | M | M | 0-21 | | | | YES | 33 | 33 | 4.7K | 18K | 6.8K | YES | 33K | 330P | | | NO | YES | YES | 1500P | YES | NO | L72-0531 (MA5) | YES | YES | YES | F10-1108 |
| AUSTRALIA | X | M | 0-71 | | | | NO | 10 | 22 | 15K | 27K | 4.3K | NO | 3.9K | 180P | 0.022 | | NO | NO | YES | 1200P | NO | NO | L72-0536 (MS3) | NO | NO | NO | F10-1109 |
| U.K. | T | | 2-71 | YES | | | NO | 10 | 22 | 15K | 27K | 4.3K | NO | 3.9K | 180P | 0.022 | YES | NO | NO | NO | 4700P | NO | YES | L72-0536 (MS3) | NO | NO | NO | F10-1109 |
| EUROPE | E | | 2-71 | YES | | | NO | 10 | 22 | 15K | 27K | 4.3K | NO | 3.9K | 180P | 0.022 | YES | NO | NO | NO | 4700P | NO | YES | L72-0536 (MS3) | NO | NO | NO | F10-1109 |



- IC1 : LA1837
- IC2 : LC72131
- Q1,3,4,6,7 : 2SC4081(R,S) or 2SC4116(Y,GR)
- Q2,12,14 : 2SA1576A(R,S) or 2SA1586(Y,GR)
- Q10,11 : 2SD1757K
- D1 : DA204U or 1SS302 or MA143A
- D3 : RD8.2ES(B2) or MTZJ8.2(B)
- D4 : RD5.1ES(B2) or MTZJ5.1(B)
- D5 : RD2.7ES(B2) or MTZJ2.7(B)
- D8,11,13 : MA111
- D9 : RD3.3ES(B2) or MTZJ3.3(B)



CHANNEL FREQUENCY (MHz)

| CHANNEL | 1 | 2 | 3 |
|---------------|-------|-------|-------|
| OSC FREQUENCY | 417.3 | 414.3 | 411.3 |

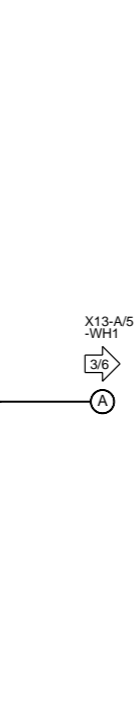
VT VOLTAGE

| CHANNEL | 1 | 2 | 3 |
|------------|------------|------------|------------|
| VT VOLTAGE | 2.40 ± 0.5 | 2.35 ± 0.5 | 2.30 ± 0.5 |

CAUTION: For continued safety, replace safety critical components only with manufacturer's recommended parts (refer to parts list). Δ indicates safety critical components. For continued protection against risk of fire, replace only with same type and rating fuse(s). To reduce the risk of electric shock, leakage-current or resistance measurements shall be carried out (exposed parts are acceptably insulated from the supply circuit) before the appliance is returned to the customer.

The DC voltage is an actual reading measured with a high impedance type voltmeter as the AM/FM signal generator is specified to the conditions as shown in the list below. The measurement value may vary depending on the measuring instruments used or on the product. The value shown in () is actual reading measured in the AM mode.

| MODE | CARRIER | MODULATION | | ANT INPUT |
|------|--------------|------------|------------------------------|-----------|
| | | FREQUENCY | DEVIATION | |
| FM | 98MHz | 1kHz | STEREO 67.5kHz 7.5kHz(Pilot) | 60dB |
| AM | 1000(999)kHz | 400Hz | MONO 30% MOD | 60dB |



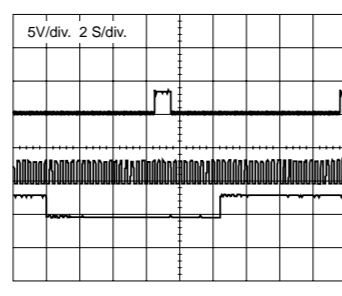
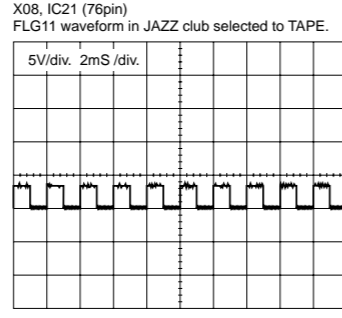
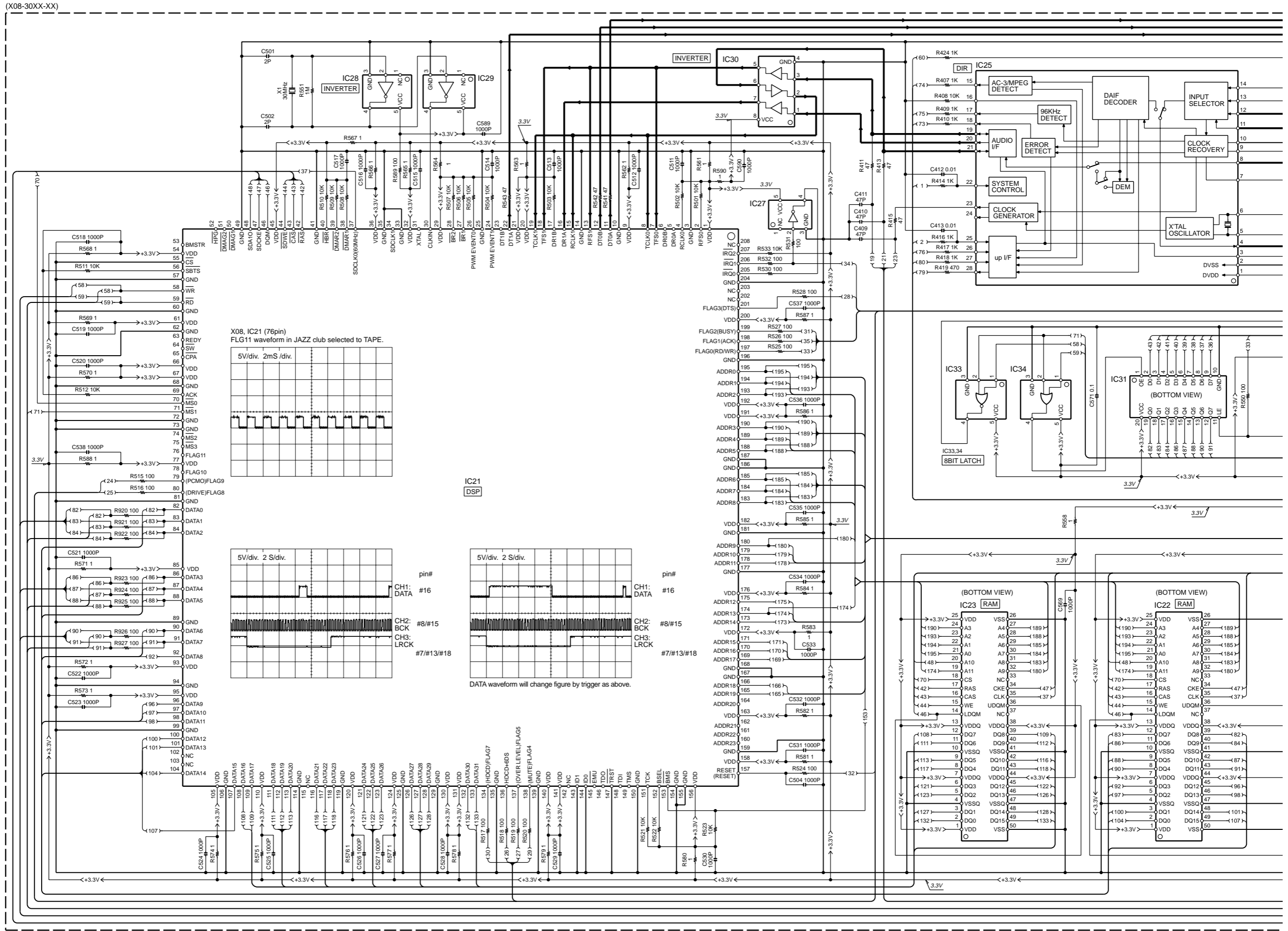
| KRF-V9993D (X08-3020-11) | | | | |
|--------------------------|----------|----------|-----|-----|
| DESTINATION | UNIT No. | R751-756 | CN4 | |
| COUNTRY | ABB | | | |
| GENERAL MARKET | M | | | |
| AUSTRALIA | X | | | |
| U.K. | T | 0-11 | YES | YES |
| EUROPE | E | | | |

| KRF-V7773D (X08-30XX-XX) | | | | |
|--------------------------|----------|----------|-----|----|
| DESTINATION | UNIT No. | R751-756 | CN4 | |
| COUNTRY | ABB | | | |
| GENERAL MARKET | M | | | |
| AUSTRALIA | X | 20-10 | NO | NO |
| EUROPE | E | | | |
| SHANGHAI | V | 32-10 | | |

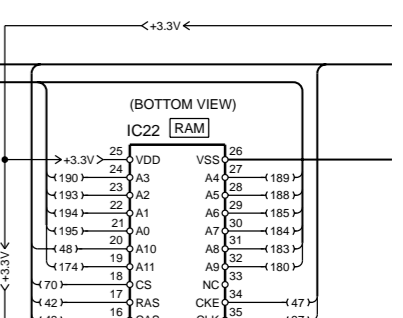
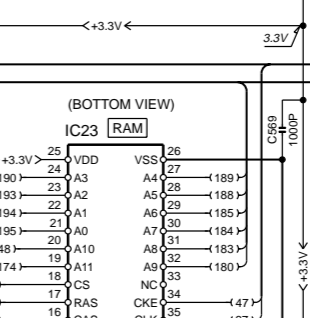
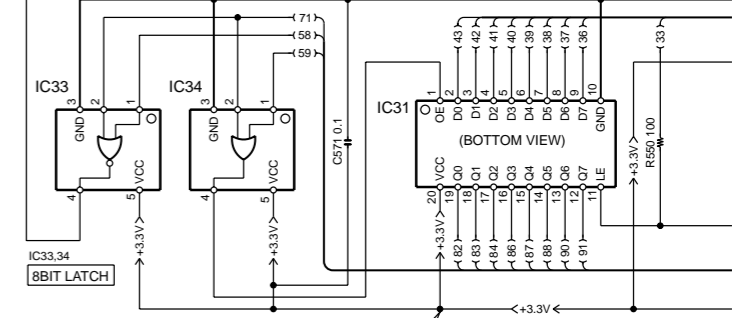
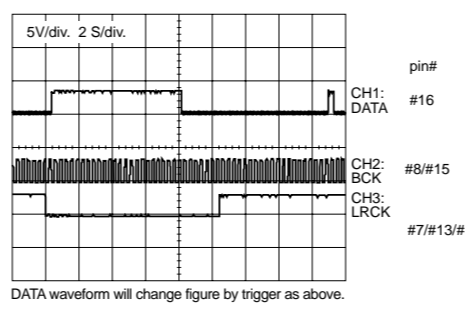
| KRF-V7773D-B (X08-3020-10) | | | | |
|----------------------------|----------|----------|-----|----|
| DESTINATION | UNIT No. | R751-756 | CN4 | |
| COUNTRY | ABB | | | |
| GENERAL MARKET | M | | | |
| AUSTRALIA | X | | | |
| EUROPE | E | 0-10 | NO | NO |
| U.K. | T | | | |

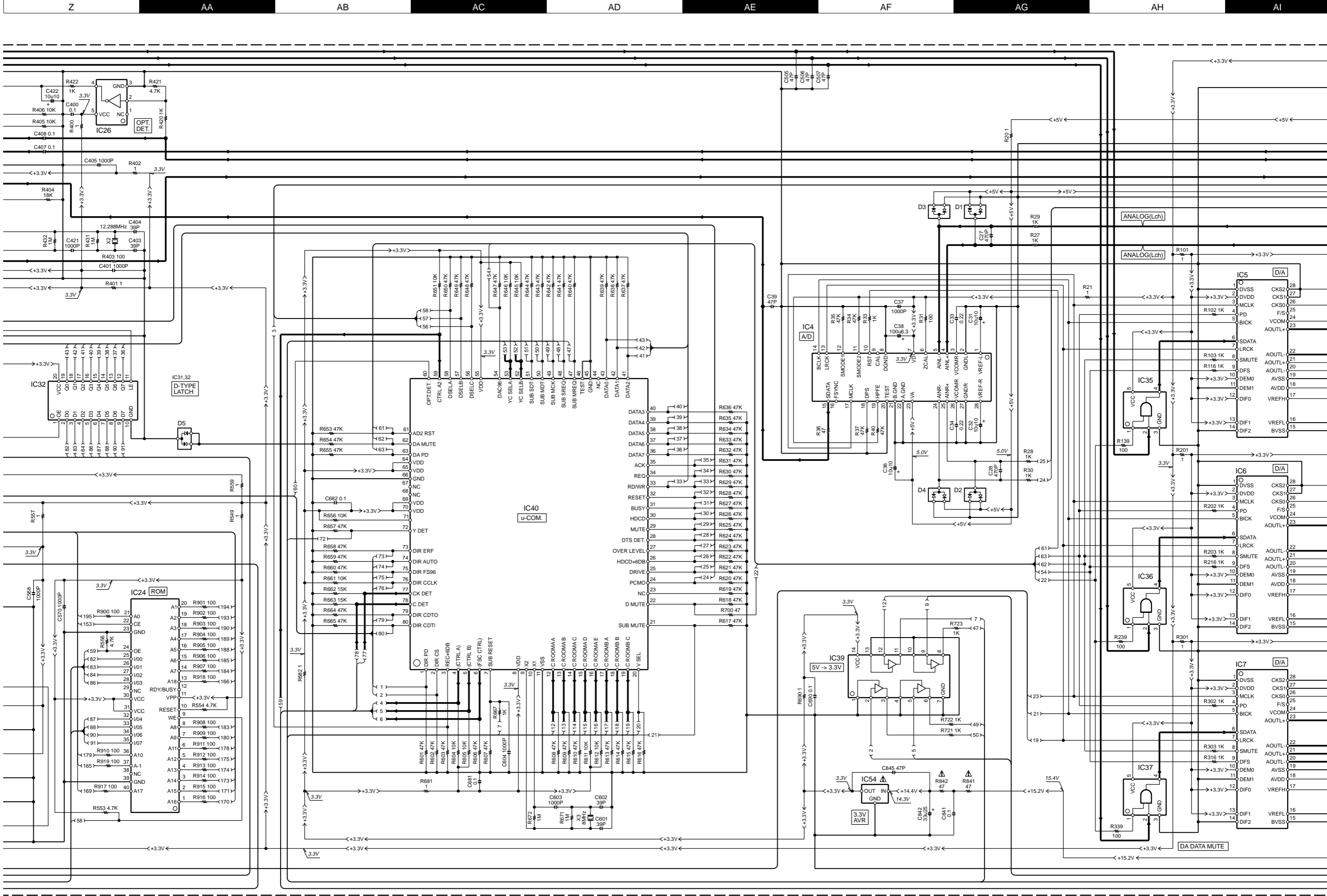
- (X08-3032-10)
(X08-3020-10)
- IC4 : AK5383-VS
 - IC5-7 : AK4393-VF
 - IC8-13 : NJM4565MD
 - IC21 : ADSST-AUDIO35
 - IC22,23 : HY57V16160DTC
 - IC24 : 49BV008A1AKB
 - IC25 : AK4112-VF
 - IC26,27 : TC7S04F
 - IC28,29 : TC7SHU04FU
 - IC30 : TC7WH34FK
 - IC31,32 : TC74LVX573FT
 - IC33 : TC7SH02F
 - IC34 : TC7SH32F
 - IC35-37 : TC7S08FU
 - IC39 : TC74VHC125F
 - IC40 : uPD784036C851
 - IC51 : uPC2933T
 - IC53 : uPC2905T
 - IC54 : uPC29L33T

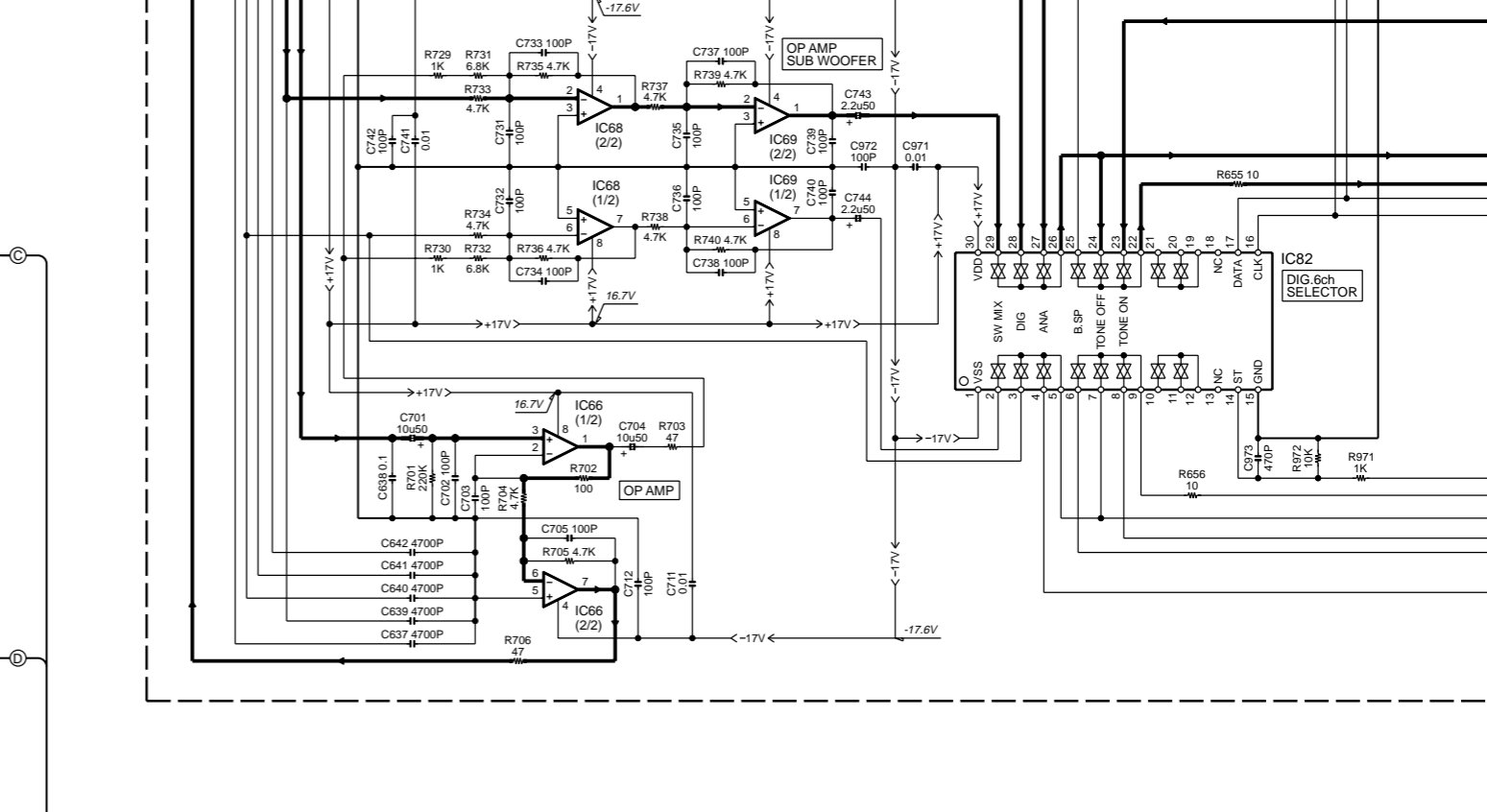
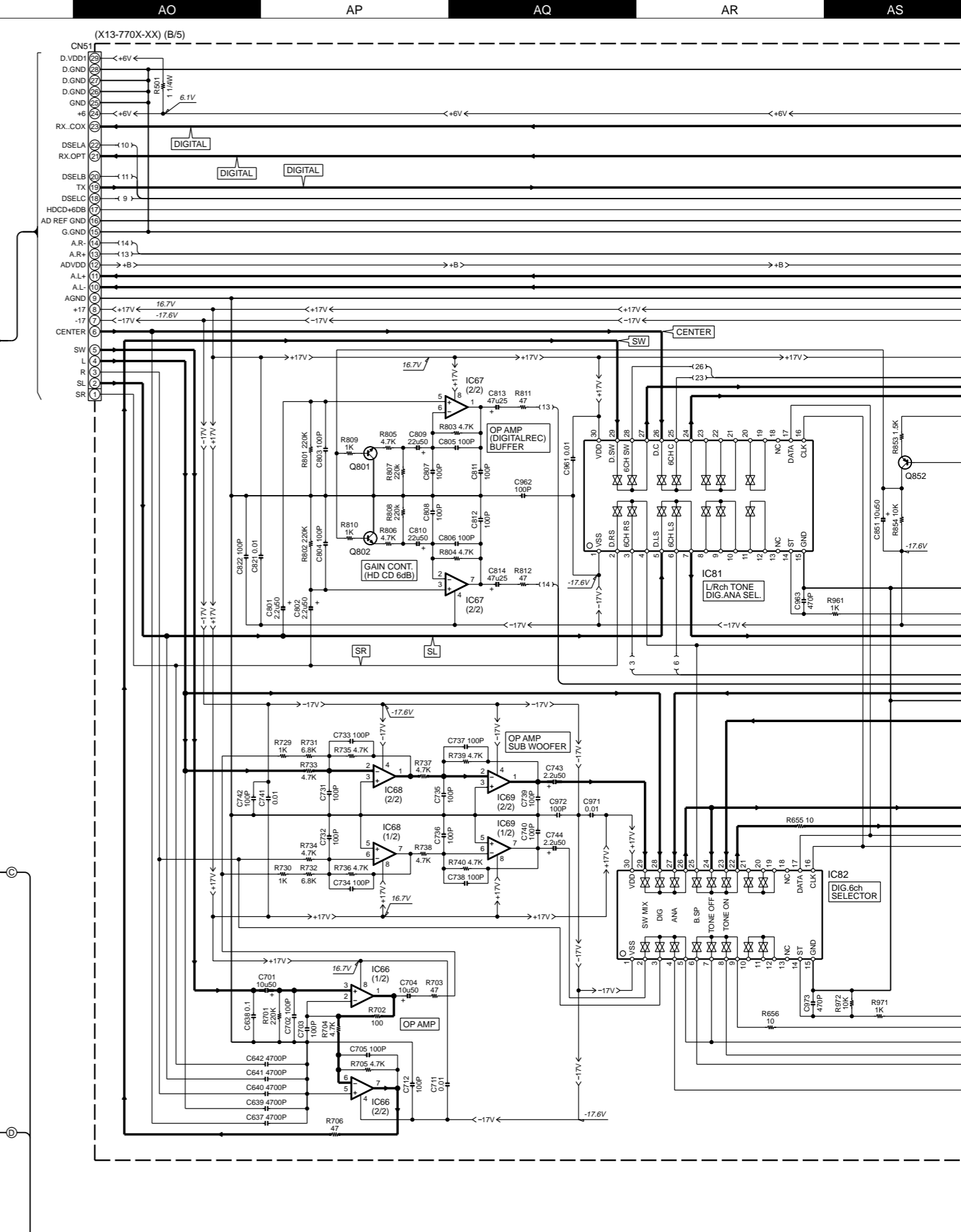
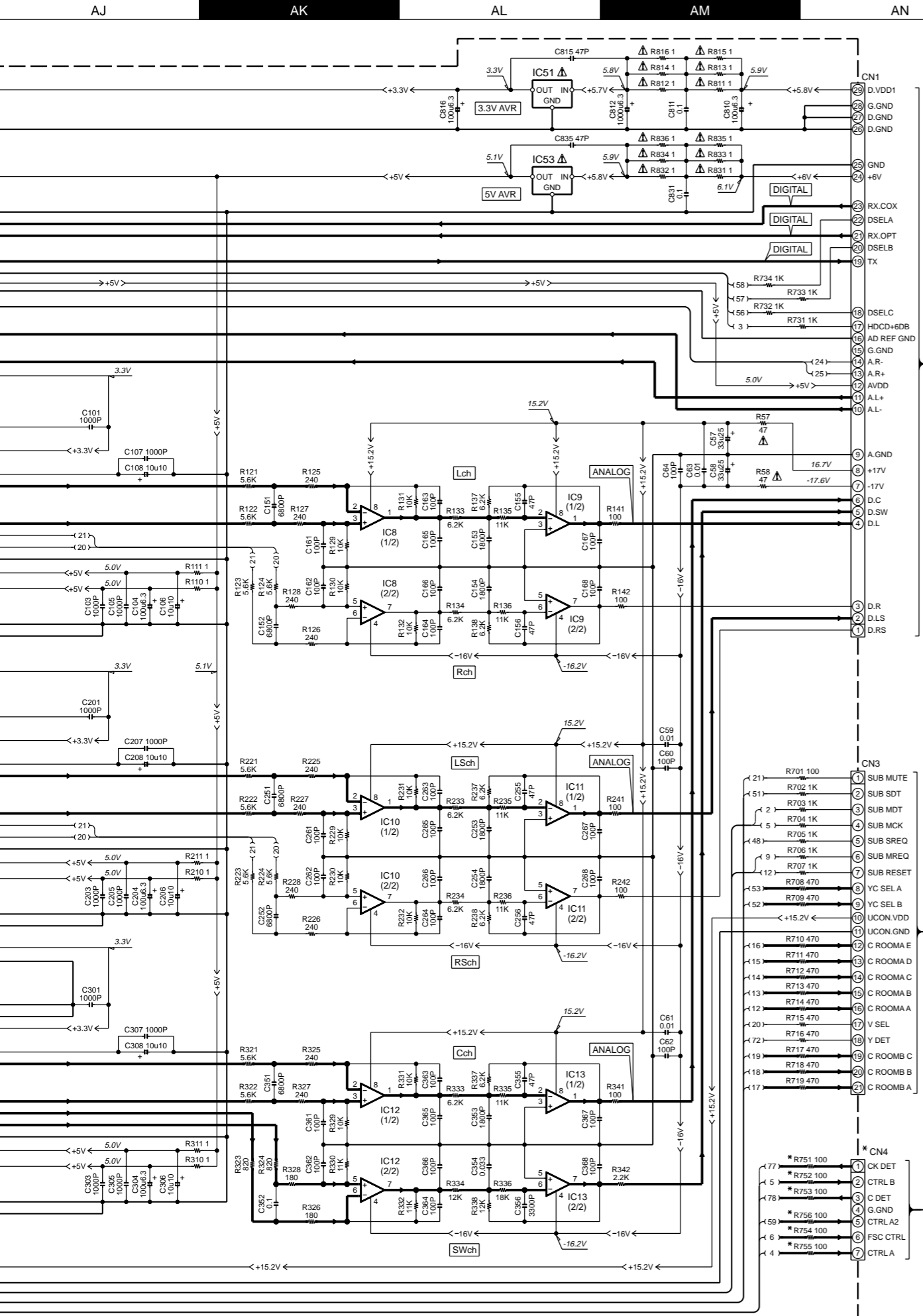
D1-5 : DA204U

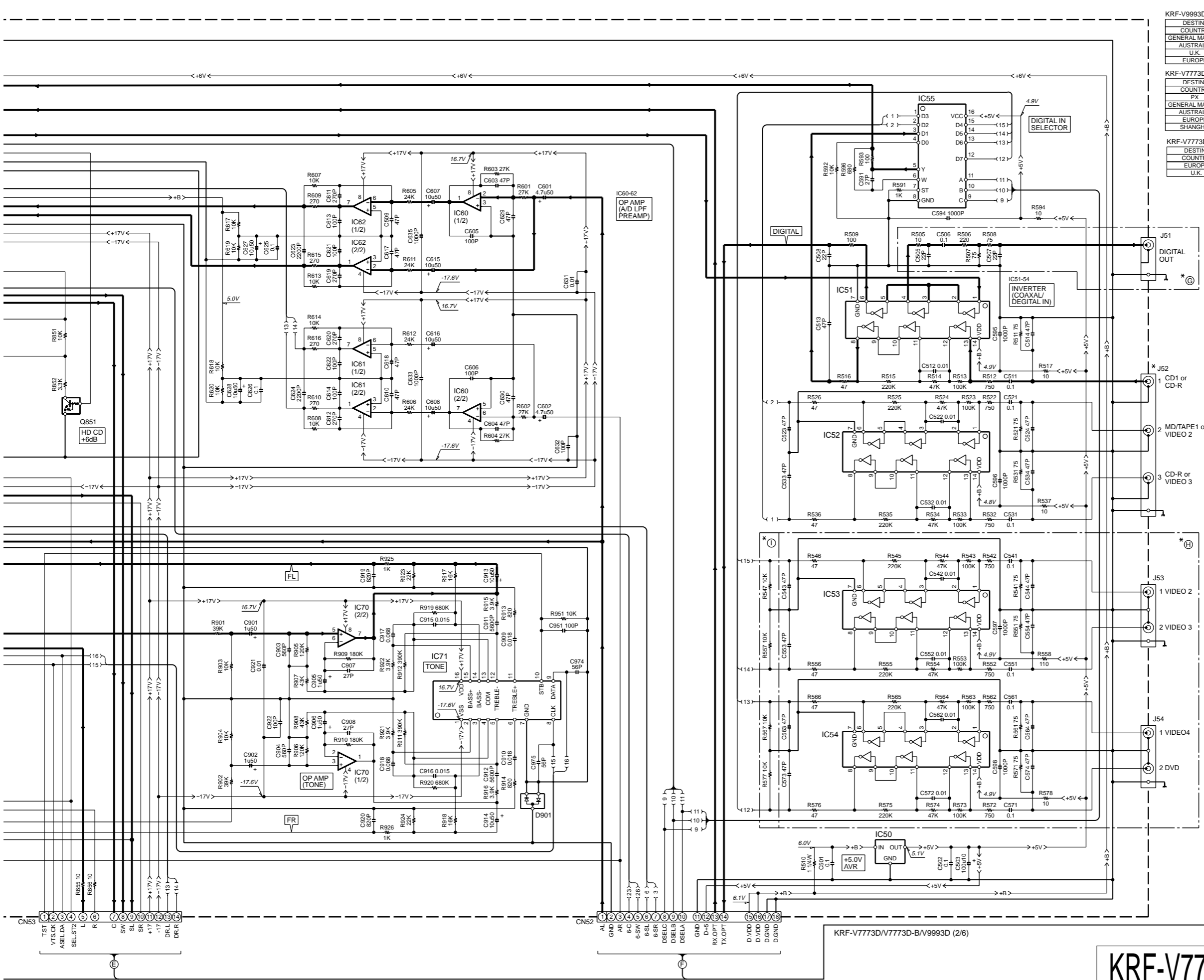


IC21
DSP









KRF-V9993D (X13-770X-XX)

| DESTINATION | UNIT No. | ⓐ | ⓑ | ⓒ | ⓓ | J52 |
|----------------|----------|-----|---|---|----|-------------|
| COUNTRY | ABB. | | | | | |
| GENERAL MARKET | M | | | | | 0-22 |
| AUSTRALIA | X | | | | | 0-72 |
| U.K. | T | YES | | | NO | E63-1130-05 |
| EUROPE | E | | | | | 2-72 |

KRF-V7773D (X13-77XX-XX)

| DESTINATION | UNIT No. | ⓐ | ⓑ | ⓒ | ⓓ | J52 |
|----------------|----------|---|---|---|----|-------|
| COUNTRY | ABB. | | | | | |
| GENERAL MARKET | M | | | | | 02-91 |
| AUSTRALIA | X | | | | | 00-21 |
| EUROPE | E | | | | NO | 00-71 |
| SHANGHAI | V | | | | | 02-71 |
| | | | | | | 42-10 |

KRF-V7773D-B (X13-7702-71)

| DESTINATION | UNIT No. | ⓐ | ⓑ | ⓒ | ⓓ | J52 |
|----------------|----------|---|---|---|----|-------------|
| COUNTRY | ABB. | | | | | |
| GENERAL MARKET | M | | | | | 2-71 |
| EUROPE | E | | | | NO | YES |
| U.K. | T | | | | | E63-1129-05 |

— SIGNAL LINE
 — GND LINE
 — +B LINE
 — -B LINE

- (X13-770X-XX)
- IC50 : uPC2905HF
 - IC51-54 : TC74HCJ04AF
 - IC55 : TC74HC151AF
 - IC60-62,66-70 : NJM4565MD
 - IC71 : TC9184AP
 - IC81 : NJU7311AM
 - IC82 : NJU7312AM
- Q801,802 : 2SC4213(B)
 Q851 : DTC124EUA or UN5212
 Q852 : 2SA1576A(R,S) or 2SA1586(Y,GR)
 D901 : DA204U

CAUTION: For continued safety, replace safety critical components only with manufacturer's recommended parts (refer to parts list). ⚠ indicates safety critical components. For continued protection against risk of fire, replace only with same type and rating fuse(s). To reduce the risk of electric shock, leakage-current or resistance measurements shall be carried out (exposed parts are acceptably insulated from the supply circuit) before the appliance is returned to the customer.

The DC voltage is an actual reading measured with a high impedance type voltmeter with a cassette loaded at playback mode. The measurement value may vary depending on the measuring instruments used or on the product. Bias circuit DC voltage is measured while in the record mode.

DOLBY and the double-D symbol are trademarks of Dolby Laboratories Licensing Corporation. Noise reduction circuit made under license from Dolby Laboratories Licensing Corporation.

- X13-A/5 -CN3
- ⓐ
- X35-CN1
- ⓑ
- X11-A/4 -CN303
- ⓒ
- X11-A/4 -CN304
- ⓓ
- ⓔ
- ⓕ

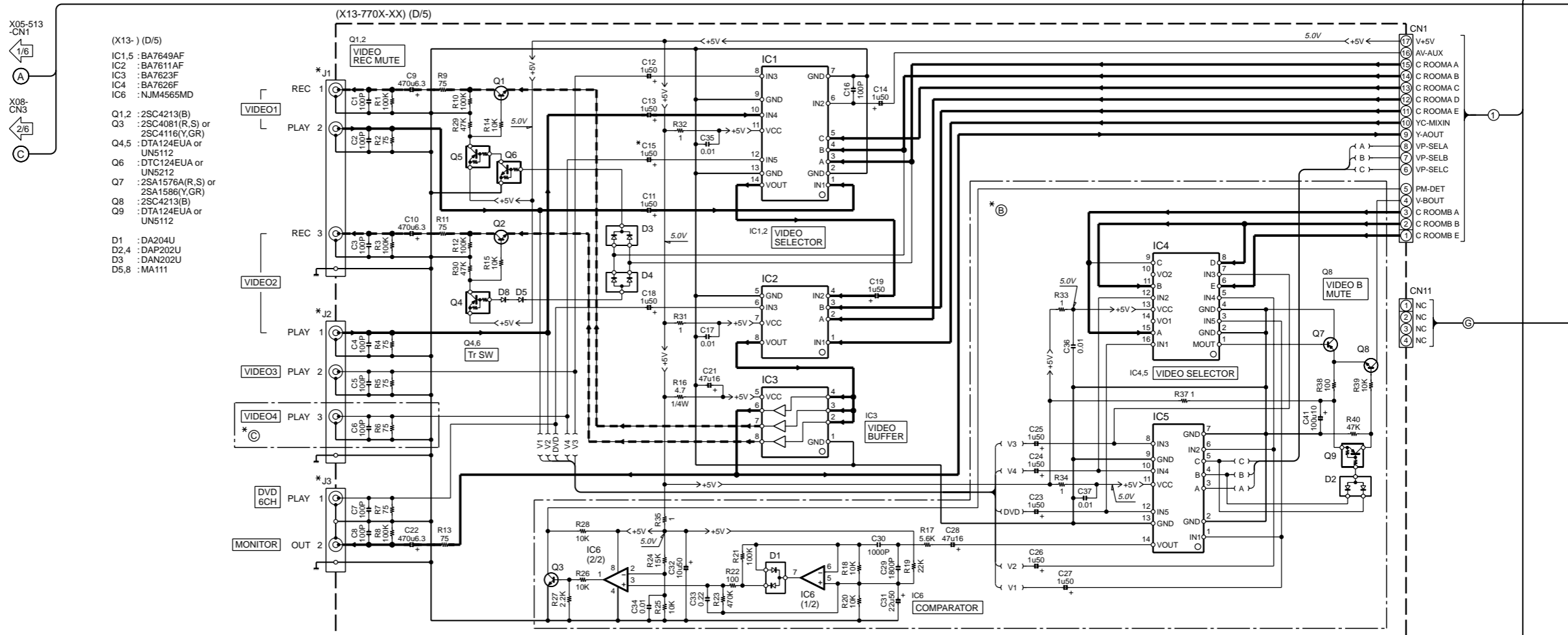
KRF-V7773D/N7773D-B/V9993D (2/6)

KRF-V7773D/N7773D-B/V9993D

CAUTION: For continued safety, replace safety critical components only with manufacturer's recommended parts (refer to parts list). Δ indicates safety critical components. For continued protection against risk of fire, replace only with same type and rating fuse(s). To reduce the risk of electric shock, leakage-current or resistance measurements shall be carried out (exposed parts are acceptably insulated from the supply circuit) before the appliance is returned to the customer.

The DC voltage is an actual reading measured with a high impedance type voltmeter with a cassette loaded at playback mode. The measurement value may vary depending on the measuring instruments used or on the product. Bias circuit DC voltage is measured while in the record mode.

DOLBY and the double-D symbol are trademarks of Dolby Laboratories Licensing Corporation. Noise reduction circuit made under license from Dolby Laboratories Licensing Corporation.



KRF-V7773D (X13-77XX-XX)

| DESTINATION | COUNTRY | ABB. | UNIT No. | A | B | C | D | E | F | C15,20,39,95,96,101,102 | C207 | J1 | J2,3 | J4 | J5,6 |
|----------------|---------|-------|----------|-----|---|---|-----|---|---|-------------------------|------|-------------|-------------|-------------|-------------|
| GENERAL MARKET | PX | Y | 02-91 | | | | YES | | | | | | | | |
| AUSTRALIA | X | 00-71 | | NO | | | NO | | | | 100P | E63-1021-05 | E63-1020-05 | E56-0029-05 | E56-0027-05 |
| EUROPE | E | 02-71 | | YES | | | | | | | | | | | |
| SHANGHAI | V | 42-10 | | NO | | | | | | | | | | | |

| DESTINATION | COUNTRY | ABB. | L1-3 | R36,93,94,266,267,288,295 | R252 | R264,265,282,297 | R279 | R284 | R292 | R296 | R328 | W3 | Q25,26 | D48 | D49 | IC21,28 | IC23 | |
|----------------|---------|-------|------|---------------------------|------|------------------|------|------|------|------|------|-----|--------|-----|-----|---------|------|----------------|
| GENERAL MARKET | PX | Y | | | 1K | | | | YES | NO | YES | YES | NO | NO | YES | NO | NO | UPD784215GF570 |
| AUSTRALIA | X | 00-71 | NO | NO | NO | YES | | YES | NO | NO | NO | YES | NO | YES | NO | NO | NO | |
| EUROPE | E | 02-71 | | YES | | | | YES | YES | NO | NO | YES | NO | NO | YES | NO | NO | |
| SHANGHAI | V | 42-10 | | NO | | | | YES | NO | NO | YES | YES | NO | NO | YES | NO | NO | |

KRF-V9993D (X13-770X-XX)

| DESTINATION | COUNTRY | ABB. | UNIT No. | A | B | C | D | E | F | C15,20,39,95,96,101,102 | C207 | J1,2 | J3 | J4,5 | J6 |
|----------------|---------|------|----------|-----|---|---|-----|---|---|-------------------------|------|-------------|-------------|-------------|-------------|
| GENERAL MARKET | PX | Y | 0-22 | | | | | | | | | | | | |
| AUSTRALIA | X | 0-72 | | NO | | | YES | | | | 100P | E63-1125-05 | E56-1123-05 | E56-0030-05 | E56-0028-05 |
| EUROPE | E | 2-72 | | YES | | | YES | | | | | | | | |
| U.K. | T | | | | | | | | | | | | | | |

| DESTINATION | COUNTRY | ABB. | L1 | L2,3 | R36,93,94,266,267,288,295 | R252 | R264,265,282,297 | R279 | R284 | R292 | R296 | R328 | W3 | Q25,26 | D48 | D49 | IC21,28 | IC23 | |
|----------------|---------|-------|----|------|---------------------------|------|------------------|------|------|------|------|------|-----|--------|-----|-----|---------|------|----------------|
| GENERAL MARKET | PX | Y | | | | 1K | | | | YES | NO | YES | YES | NO | NO | YES | NO | NO | UPD784215GF575 |
| AUSTRALIA | X | 00-71 | NO | YES | YES | NO | NO | YES | NO | NO | NO | NO | YES | NO | YES | NO | YES | NO | |
| EUROPE | E | 02-71 | | YES | | | | YES | YES | NO | NO | NO | YES | NO | NO | YES | NO | NO | |
| U.K. | T | | | | | | | | | | | | | | | | | | |

KRF-V7773D-B (X13-7702-71)

| DESTINATION | COUNTRY | ABB. | UNIT No. | A | B | C | D | E | F | C15,20,39,95,96,101,102 | C207 | J1 | J2,3 | J4 | J5,6 |
|----------------|---------|------|----------|-----|---|---|----|---|---|-------------------------|------|-------------|-------------|-------------|-------------|
| GENERAL MARKET | PX | Y | 2-71 | | | | | | | | | | | | |
| EUROPE | E | 2-71 | | YES | | | NO | | | | 100P | E63-1021-05 | E63-1020-05 | E56-0029-05 | E56-0027-05 |
| U.K. | T | | | | | | | | | | | | | | |

| DESTINATION | COUNTRY | ABB. | L1-3 | R36,93,94,252,266,267,279,288,295,296,328 | R264,265,282,284,292,297 | W3 | Q25,26 | D48 | D49 | IC21,28 | IC23 | |
|----------------|---------|-------|------|---|--------------------------|-----|--------|-----|-----|---------|------|----------------|
| GENERAL MARKET | PX | Y | | | | | | | | | | |
| AUSTRALIA | X | 00-71 | NO | NO | YES | YES | NO | YES | NO | NO | NO | UPD784215GF570 |
| EUROPE | E | 02-71 | | NO | | | | | | | | |
| U.K. | T | | | | | | | | | | | |

(X11-) (D/4)

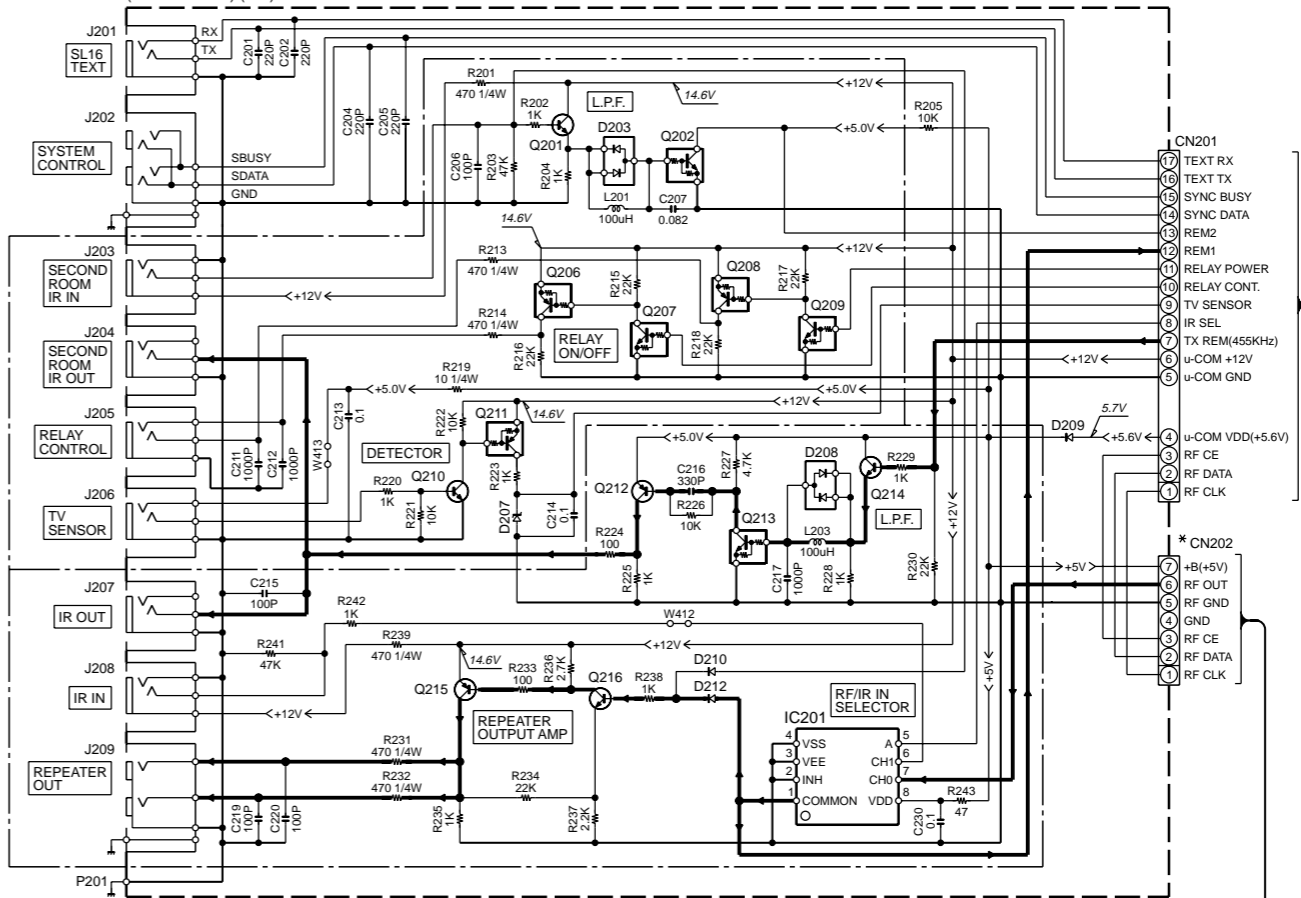
| | | | | | |
|------------------|---------------------------------|----------|----------------------------------|----------|-----------|
| IC201 | : TC4W53FU | Q206,208 | : DTA124EUA or UN5112 | D203,208 | : DA204U |
| Q201,210,214,216 | : 2SC4081(R,S) or 2SC4116(Y,GR) | Q211 | : DTA1132UA or UN5119 | D207 | : UDZ5.1B |
| Q202,207,209,213 | : DTC124EUA or UN5212 | Q212,215 | : 2SA1576A(R,S) or 2SA1586(Y,GR) | D209 | : U1BC44 |
| | | | | D210,212 | : MA111 |

X05-510 -CN1



(B)

(X11-38XX-XX) (D/4)



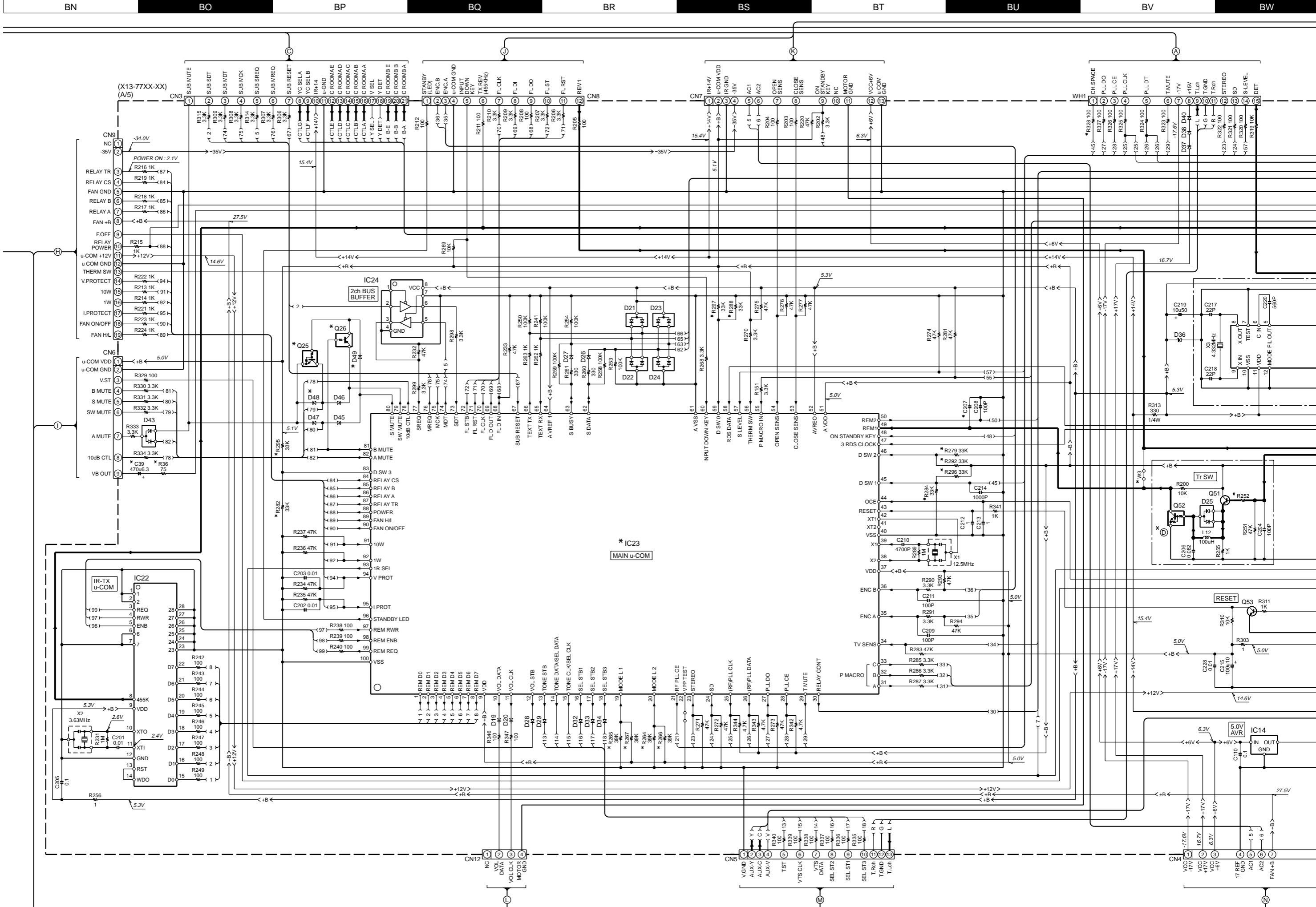
USED KRF-V9993D (T,E) TYPE

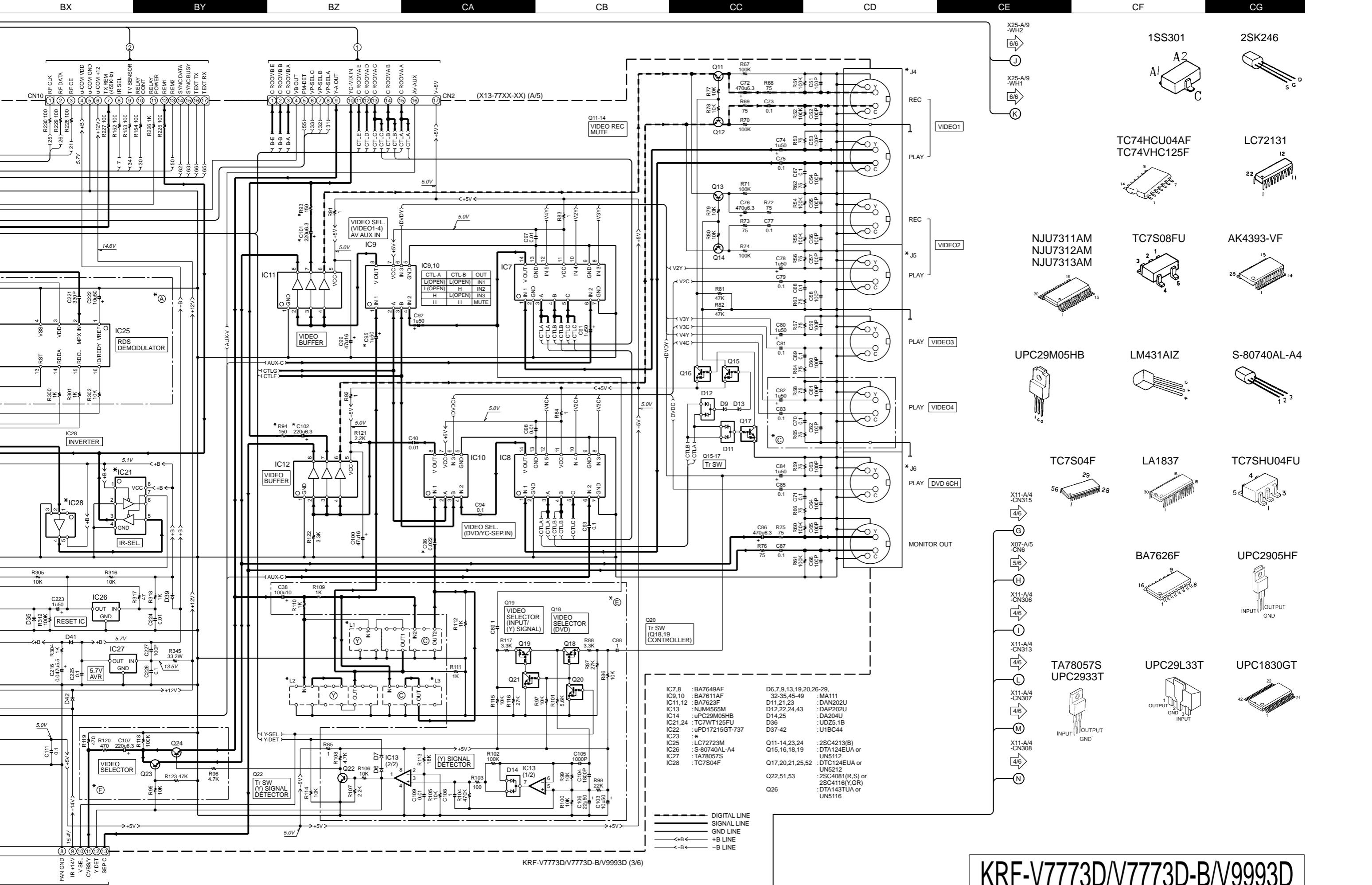
USED KRF-V7773D (Y) TYPE KRF-V9993D (T,E) TYPE

X05-510 -CN1



(B)



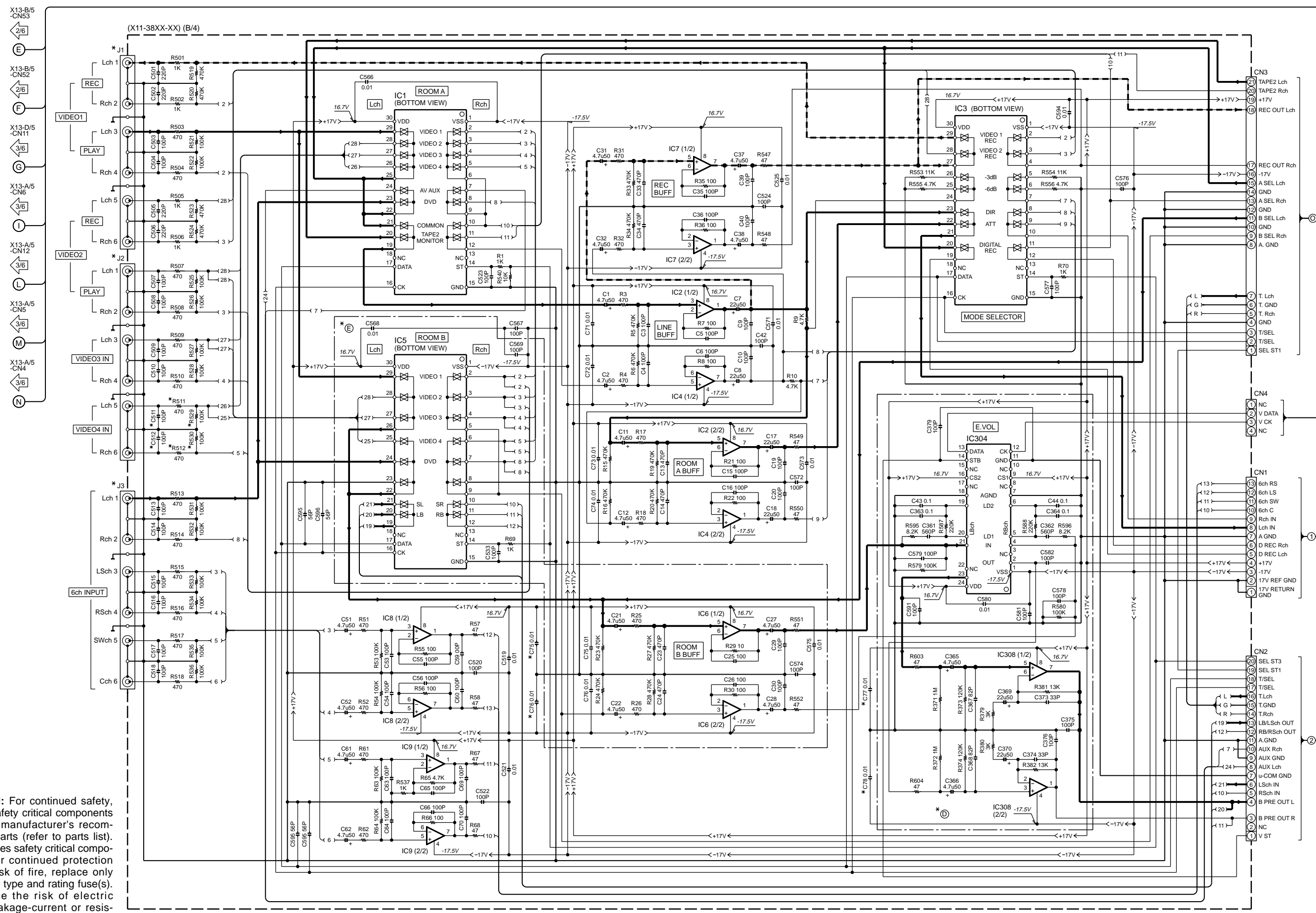


KRF-V7773D/V7773D-B/V9993D

Y05-4090-21

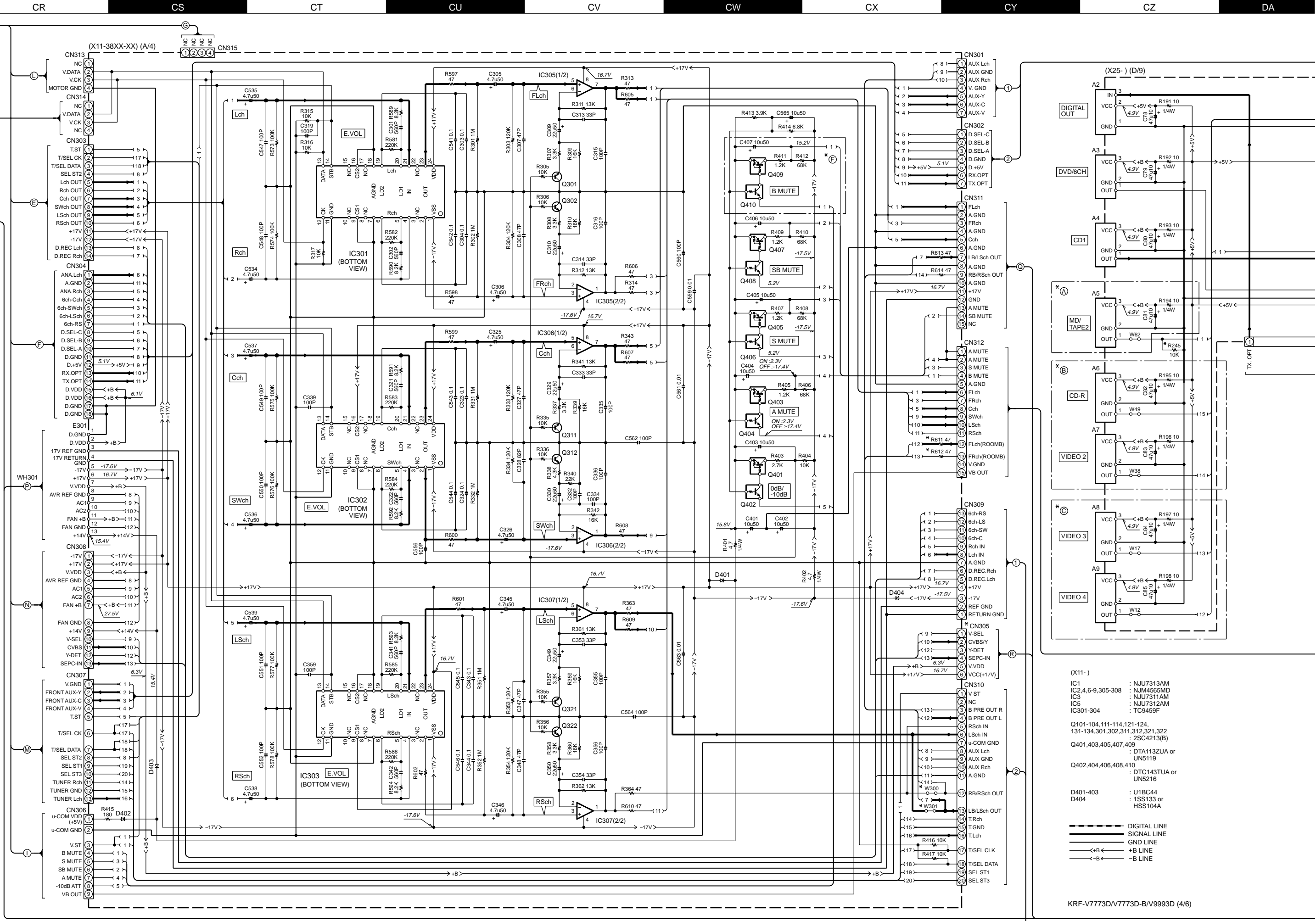
KENWOOD

1
2
3
4
5
6
7



CAUTION: For continued safety, replace safety critical components only with manufacturer's recommended parts (refer to parts list). ⚠ indicates safety critical components. For continued protection against risk of fire, replace only with same type and rating fuse(s). To reduce the risk of electric shock, leakage-current or resistance measurements shall be carried out (exposed parts are acceptably insulated from the supply circuit) before the appliance is returned to the customer.

The DC voltage is an actual reading measured with a high impedance type voltmeter. The measurement value may vary depending on the measuring instruments used or on the product. Refer to the voltage during PLAY unless otherwise specified; The value shown in () is the voltage measured at the moment of STOP.



(X11-)

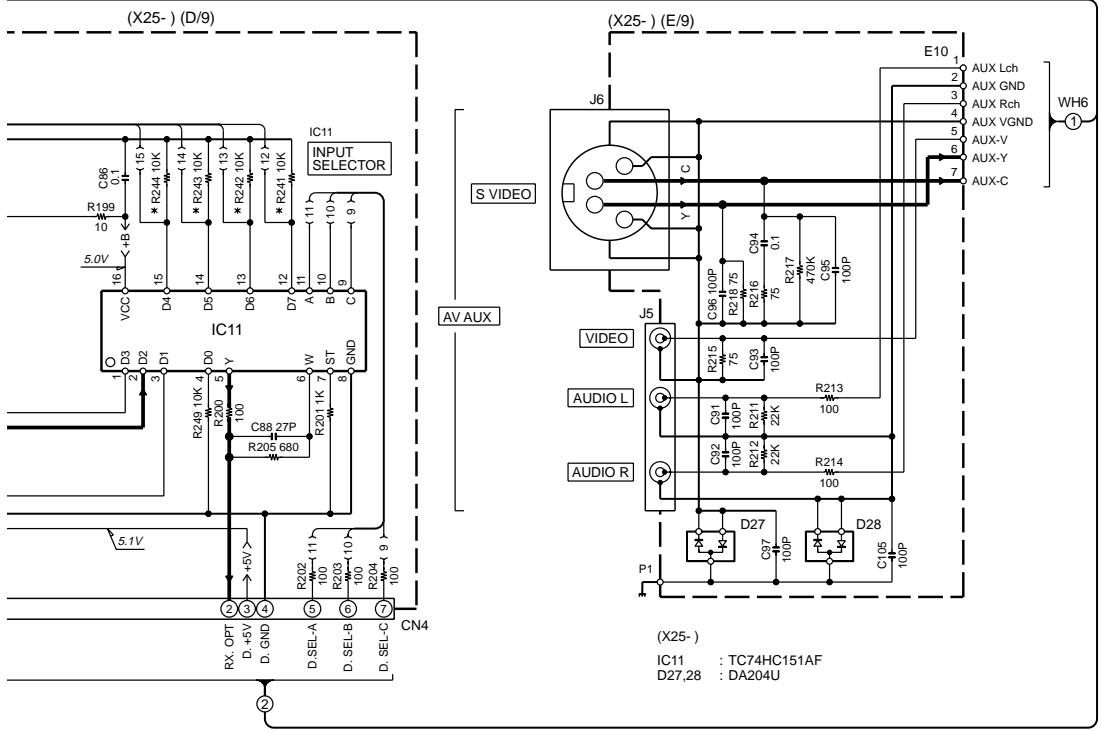
| | |
|-------------------|-------------|
| IC1 | : NJU7313AM |
| IC2,4,6-9,305-308 | : NJM4565MD |
| IC3 | : NJU7311AM |
| IC5 | : NJU732AM |
| IC301-304 | : TC9459F |

Q101-104,111-114,121-124,
131-134,301,302,311,312,321,322
Q401,403,405,407,409

| | |
|----------------------|-----------------------|
| Q401,403,405,407,409 | : DTA113ZUA or UN5119 |
| Q402,404,406,408,410 | : DTC143TUA or UN5216 |

D401-403 : U1BC44
D404 : 1S5133 or HSS104A

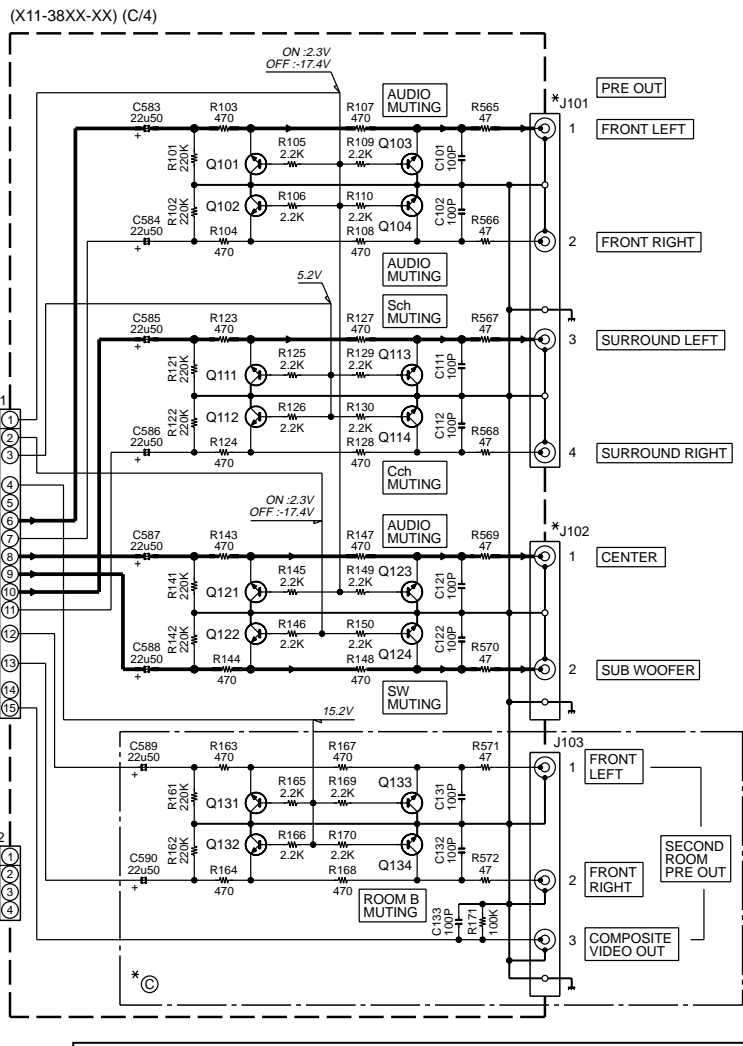
--- DIGITAL LINE
--- SIGNAL LINE
--- GND LINE
---+B--- +B LINE
----B--- -B LINE



| KRF-V7773D (X25-63XX-XX) | | | | | |
|--------------------------|----------|-------|-----|-----|----------|
| DESTINATION | UNIT No. | (A) | (B) | (C) | R241-245 |
| GENERAL MARKET | M | | | | |
| AUSTRALIA | X | 22-71 | | | |
| EUROPE | E | | NO | | YES |
| SHANGHAI | V | | | | 52-10 |

| KRF-V9993D (X25-6320-01) | | | | | |
|--------------------------|----------|------|-----|-----|----------|
| DESTINATION | UNIT No. | (A) | (B) | (C) | R241-245 |
| GENERAL MARKET | M | | | | |
| AUSTRALIA | X | 0-01 | YES | | NO |
| U.K. | T | | | | |
| EUROPE | E | | | | |

| KRF-V7773D-B (X25-6322-71) | | | | | |
|----------------------------|----------|-----|-----|-----|----------|
| DESTINATION | UNIT No. | (A) | (B) | (C) | R241-245 |
| GENERAL MARKET | M | | | | |
| AUSTRALIA | X | | | | |
| EUROPE | E | | NO | | YES |
| U.K. | T | | | | 2-71 |



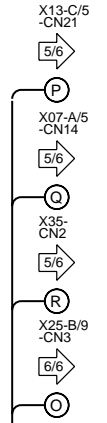
| KRF-V7773D (X11-38XX-XX) | | | | | | | | | |
|--------------------------|----------|-------|-----|-----|-----|--------------------------|----------------|-------|-------|
| DESTINATION | UNIT No. | (C) | (D) | (E) | (F) | R511,512,529,530,611,612 | C75-78,511,512 | CN305 | W300 |
| GENERAL MARKET | M | | | | | | | | |
| AUSTRALIA | X | 70-21 | | | | | | | |
| EUROPE | E | | | | | | | NO | YES |
| SHANGHAI | V | | | | | | | | 82-10 |

| KRF-V7773D-B (X11-3870-21) | | | | | | | | | |
|----------------------------|----------|-------|-----|-----|-----|--------------------------|----------------|-------|------|
| DESTINATION | UNIT No. | (C) | (D) | (E) | (F) | R511,512,529,530,611,612 | C75-78,511,512 | CN305 | W300 |
| GENERAL MARKET | M | | | | | | | | |
| AUSTRALIA | X | 70-21 | | | | | | | |
| EUROPE | E | | | | | | | NO | NO |
| U.K. | T | | | | | | | | |

| KRF-V9993D (X11-387X-XX) | | | | | | | | | |
|--------------------------|----------|------|-----|-----|-----|--------------------------|----------------|-------|------|
| DESTINATION | UNIT No. | (C) | (D) | (E) | (F) | R511,512,529,530,611,612 | C75-78,511,512 | CN305 | W300 |
| GENERAL MARKET | M | | | | | | | | |
| AUSTRALIA | X | 0-02 | | | | | | | |
| EUROPE | E | | YES | | | | | NO | YES |
| U.K. | T | | | | | | | | |

| KRF-V7773D-B (X11-3870-21) | | | | | | | | | |
|----------------------------|----------|-------|-----|-----|-----|--------------------------|----------------|-------|------|
| DESTINATION | UNIT No. | (C) | (D) | (E) | (F) | R511,512,529,530,611,612 | C75-78,511,512 | CN305 | W300 |
| GENERAL MARKET | M | | | | | | | | |
| AUSTRALIA | X | 70-21 | | | | | | | |
| EUROPE | E | | | | | | | NO | NO |
| U.K. | T | | | | | | | | |

| KRF-V9993D (X11-387X-XX) | | | | | | | | | |
|--------------------------|----------|------|-----|-----|-----|--------------------------|----------------|-------|------|
| DESTINATION | UNIT No. | (C) | (D) | (E) | (F) | R511,512,529,530,611,612 | C75-78,511,512 | CN305 | W300 |
| GENERAL MARKET | M | | | | | | | | |
| AUSTRALIA | X | 0-02 | | | | | | | |
| EUROPE | E | | | | | | | NO | NO |
| U.K. | T | | | | | | | | |



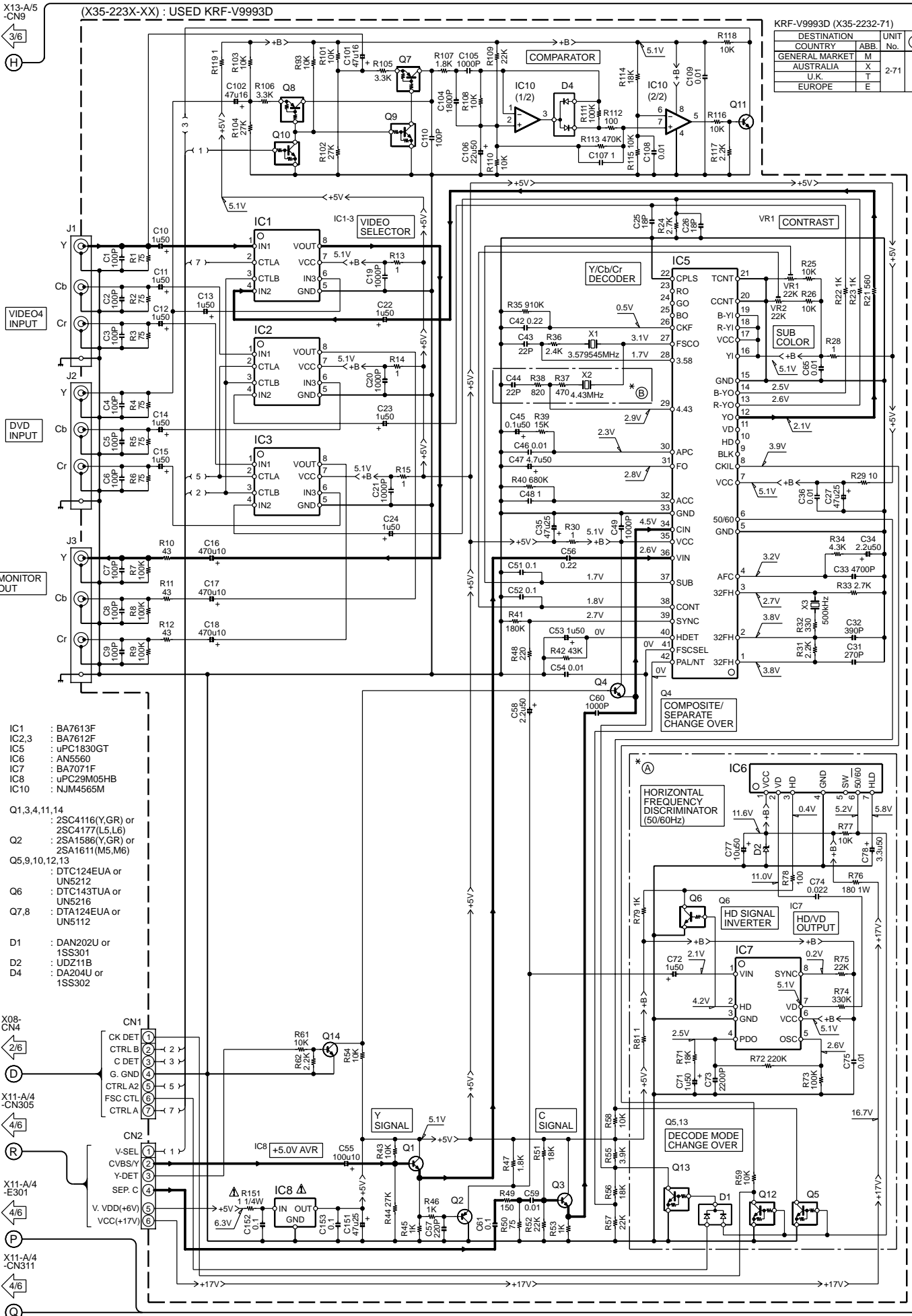
KRF-V7773D/V7773D-B/V9993D

Y05-4090-21

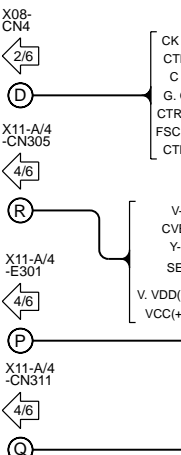
(X35-223X-XX) : USED KRF-V9993D

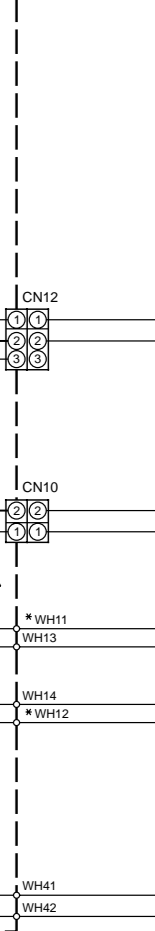
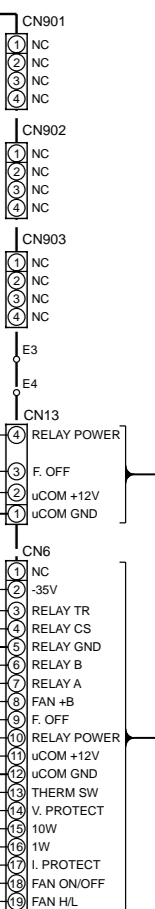
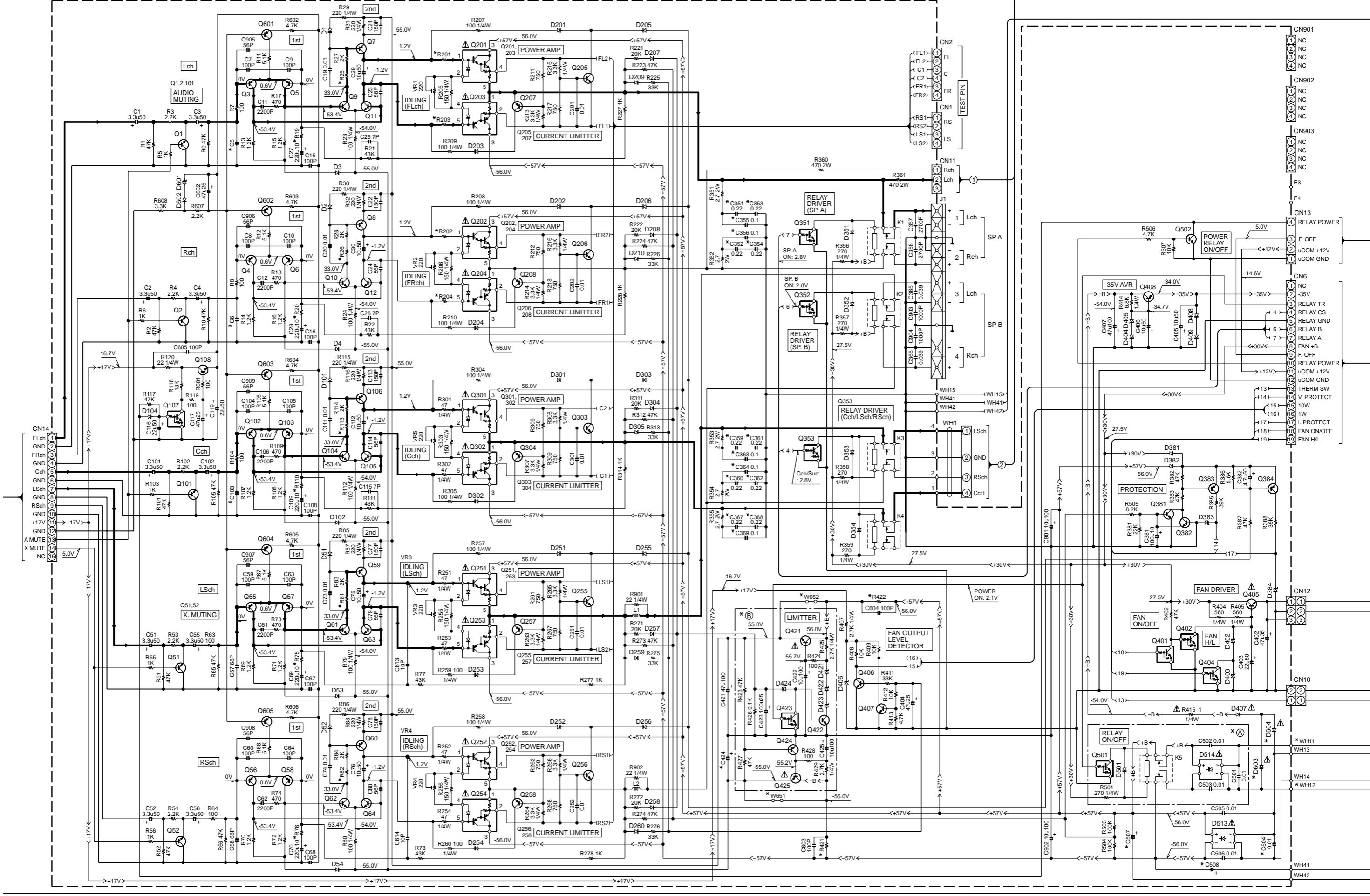
KRF-V9993D (X35-2232-71)

| DESTINATION | COUNTRY | ABB. | UNIT No. | (A) | (B) |
|----------------|-----------|------|----------|-----|-----|
| GENERAL MARKET | AUSTRALIA | X | 2-71 | YES | |
| | U.K. | T | | | |
| | EUROPE | E | | | |



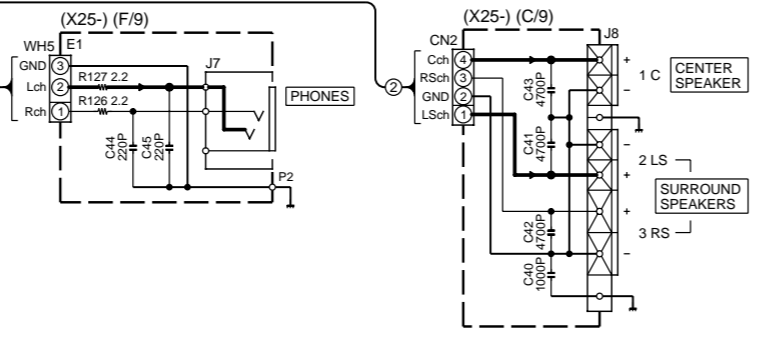
- IC1 : BA7613F
- IC2,3 : BA7612F
- IC5 : uPC1830GT
- IC6 : AN5560
- IC7 : BA7071F
- IC8 : uPC29M05HB
- IC10 : NJM4565M
- Q1,3,4,11,14 : 2SC4116(Y,GR) or 2SC4177(L5,L6)
- Q2 : 2SA1586(Y,GR) or 2SA1611(M5,M6)
- Q5,9,10,12,13 : DTC124EUA or UN5212
- Q6 : DTC143TUA or UN5216
- Q7,8 : DTA124EUA or UN5112
- D1 : DAN202U or 1SS301
- D2 : UDZ11B
- D4 : DA204U or 1SS302





- (X07-)
 Q1,2,51,52,101 : 2SC2878(B)
 Q3-6,55-58,102,103,207,208,
 257,258,304,383,384,424
 : 2SA992(F,E)
 Q7,8,59,60,106 : 2SA1123(R,S)
 Q9-12,61-64,104,105
 : 2SC2631(R,S)
 : DTC124EUA or
 UN5212
 Q107,401 : 2SC1740S(Q,R) or
 2SC2458(Y,GR)
 Q108,406,407 : 2SC1740S(Q,R) or
 2SC2458(Y,GR)
 Q201,202,251,252,301
 : TRAIT6N*5
 Q203,204,253,254,302
 : TRAIT6P*5
 Q205,206,255,256,303,381,382
 : 2SC1845(F,E)
 Q351-353,501 : DTC113ZSA or
 UN4219
 Q402,404,423 : DTC113ZUA or
 UN5219
 Q405 : 2SD2061 or
 2SD2012
 Q408 : 2SA1110(R,S)
 Q421 : 2SC3944A
 Q422 : 2SC1622A(16-8)
 Q425 : 2SA1535A
 Q502 : 2SC2003(L,K)
 Q601-605 : 2SA1586(Y,GR)

- D1-4,51-54,101,102,104,201-206,
 251-256,301-303,351-354,381,
 382,501-504,509,511,512
 : 1SS133 or
 HSS104A
 D207-210,257-260,304,305
 : 1SS244
 D383,384 : MTZJ4,7(B) or
 RD4,7ES(B2)
 D402 : UDZ13B
 D403 : MTZJ15(B) or
 RD15ES(B2)
 D403 : UDZ15B
 D404,405,423 : MTZJ18(B) or
 RD18ES(B2)
 D406 : MTZJ5.1(B) or
 RD5.1ES(B2)
 D407,505-508,510 : S5688B or
 1SR139-400
 D408,409 : MTZJ20(B) or
 RD20ES(B2)
 D421 : UDZ10B
 D422,423 : UDZ11B
 D424 : UDZ8,2B
 D513 : RBV-1506LFA
 D514 : RBV-4102LFA
 D601 : UDZ5,1B
 D602 : MA111
 D603,604 : U1BC44



CAUTION: For continued safety, replace safety critical components only with manufacturer's recommended parts (refer to parts list). Δ indicates safety critical components. For continued protection against risk of fire, replace only with same type and rating fuse(s). To reduce the risk of electric shock, leakage-current or resistance measurements shall be carried out (exposed parts are acceptably insulated from the supply circuit) before the appliance is returned to the customer.

The DC voltage is an actual reading measured with a high impedance type voltmeter. The measurement value may vary depending on the measuring instruments used or on the product. Refer to the voltage during PLAY unless otherwise specified; The value shown in () is the voltage measured at the moment of STOP.

KRF-V9993D (X07-315X-XX)

| DESTINATION | COUNTRY | ABB. | UNIT No. | (A) | (B) | C5,6, 103 | C351-354, 359-362,367,368 | C355,356, 363,364,369 | C424 | C504 | C507, 508 | C510 | C601 | R19,20, 75,76,110 | R25,26, 81,82,113 | R201- 204 | R421, 422 | R502 | D603 | D604 | F1 | F3 | WH11,12 | WH28, 32 | WH29, 31 | W502 | W503 | W505 | W651, 652 | J2 | CN35, 36 | T1 |
|----------------|---------|------|----------|-----|-----|-----------|---------------------------|-----------------------|---------|------|-----------|------|------|-------------------|-------------------|-----------|-----------|------|------|------|----|----|---------|----------|----------|------|------|------|-------------|-------------|-------------|-------------|
| GENERAL MARKET | M | | 0-21 | | | | YES | NO | 100u100 | NO | 12000u73 | YES | | 1.6K | 5.6K | | | | | | | | NO | NO | NO | NO | NO | NO | NO | E30-0149-05 | NO | L07-2834-05 |
| AUSTRALIA | X | | 0-71 | YES | | 270P | YES | NO | 47u100 | NO | 8200u73 | YES | | 1.6K | 5.6K | 18 1/4W | 56 1/4W | | | | | NO | NO | NO | NO | NO | NO | NO | NO | E30-0325-05 | NO | L07-2834-05 |
| U.K. | T | | 0-51 | | | | | | 100u100 | NO | 12000u63 | NO | YES | 2K | 5.1K | | 56 1/4W | | | | | NO | NO | NO | NO | NO | NO | NO | E30-0310-05 | YES | L07-2833-05 | |
| EUROPE | E | | 152-71 | | | | | | 47u100 | NO | 8200u73 | NO | | 1.6K | 5.6K | | 1 1/4W | | | | | NO | NO | NO | NO | NO | NO | NO | E30-0149-05 | NO | L07-2833-05 | |
| CHANGHAI | V | | 202-10 | YES | | | | | 47u100 | NO | 8200u73 | NO | | 1.6K | 5.6K | | 1 1/4W | | | | | NO | NO | NO | NO | NO | NO | NO | E30-0361-05 | NO | L07-2833-05 | |

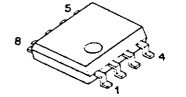
KRF-V7773D (X07-3XXX-XX)

| DESTINATION | COUNTRY | ABB. | UNIT No. | (A) | (B) | C5,6, 103 | C351-354, 359-362,367,368 | C355,356, 363,364,369 | C424 | C504 | C507, 508 | C510 | C601 | R19,20, 75,76,110 | R25,26, 81,82,113 | R201- 204 | R421, 422 | R502 | D603 | D604 | F1 | F3 | WH11,12 | WH28, 32 | WH29, 31 | W502 | W503 | W505 | W651, 652 | J2 | CN35, 36 | T1 |
|----------------|---------|------|----------|-----|-----|-----------|---------------------------|-----------------------|---------|------|-----------|------|------|-------------------|-------------------|-----------|-----------|------|------|------|----|----|---------|----------|----------|------|------|------|-------------|-------------|-------------|-------------|
| GENERAL MARKET | Y | | 152-91 | | | | | | | | | | | | | | | | | | | | NO | NO | NO | NO | NO | NO | NO | E30-0148-05 | NO | L07-2834-05 |
| AUSTRALIA | X | | 150-72 | YES | | 270P | YES | NO | 47u100 | NO | 8200u73 | YES | | 1.6K | 5.6K | 18 1/4W | 56 1/4W | | | | | NO | NO | NO | NO | NO | NO | NO | NO | E30-0149-05 | NO | L07-2834-05 |
| U.K. | T | | 152-71 | | | | | | 100u100 | NO | 12000u63 | NO | YES | 2K | 5.1K | | 56 1/4W | | | | | NO | NO | NO | NO | NO | NO | NO | NO | E30-0325-05 | NO | L07-2833-05 |
| EUROPE | E | | 152-71 | | | | | | 100u100 | NO | 12000u63 | NO | | 1.6K | 5.6K | | 1 1/4W | | | | | NO | NO | NO | NO | NO | NO | NO | NO | E30-0149-05 | NO | L07-2833-05 |
| CHANGHAI | V | | 202-10 | YES | | | | | 47u100 | NO | 8200u73 | NO | | 1.6K | 5.6K | | 1 1/4W | | | | | NO | NO | NO | NO | NO | NO | NO | E30-0361-05 | NO | L07-2833-05 | |

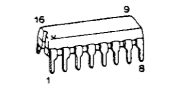
KRF-V7773D-B (X07-315X-XX)

| DESTINATION | COUNTRY | ABB. | UNIT No. | (A) | (B) | C5,6, 103 | C351-354, 359-362,367,368 | C355,356, 363,364,369 | C424 | C504 | C507, 508 | C510 | C601 | R19,20, 75,76,110 | R25,26, 81,82,113 | R201- 204 | R421, 422 | R502 | D603 | D604 | F1 | F3 | WH11,12 | WH28, 32 | WH29, 31 | W502 | W503 | W505 | W651, 652 | J2 | CN35, 36 | T1 |
|-------------|---------|------|----------|-----|-----|-----------|---------------------------|-----------------------|---------|------|-----------|------|------|-------------------|-------------------|-----------|-----------|------|------|------|----|----|---------|----------|----------|------|------|------|-----------|-------------|----------|-------------|
| EUROPE | E | | 2-71 | YES | | 270P | YES | NO | 100u100 | NO | 12000u63 | 2K | | 5.1K | 18 1/4W | 56 1/4W | | | | | | NO | NO | NO | NO | NO | NO | NO | NO | E30-0149-05 | NO | L07-2833-05 |
| U.K. | T | | 0-51 | | | | | | 100u100 | NO | 12000u63 | 2K | | 5.1K | 18 1/4W | 56 1/4W | | | | | | NO | NO | NO | NO | NO | NO | NO | NO | E30-0310-05 | YES | L07-2833-05 |

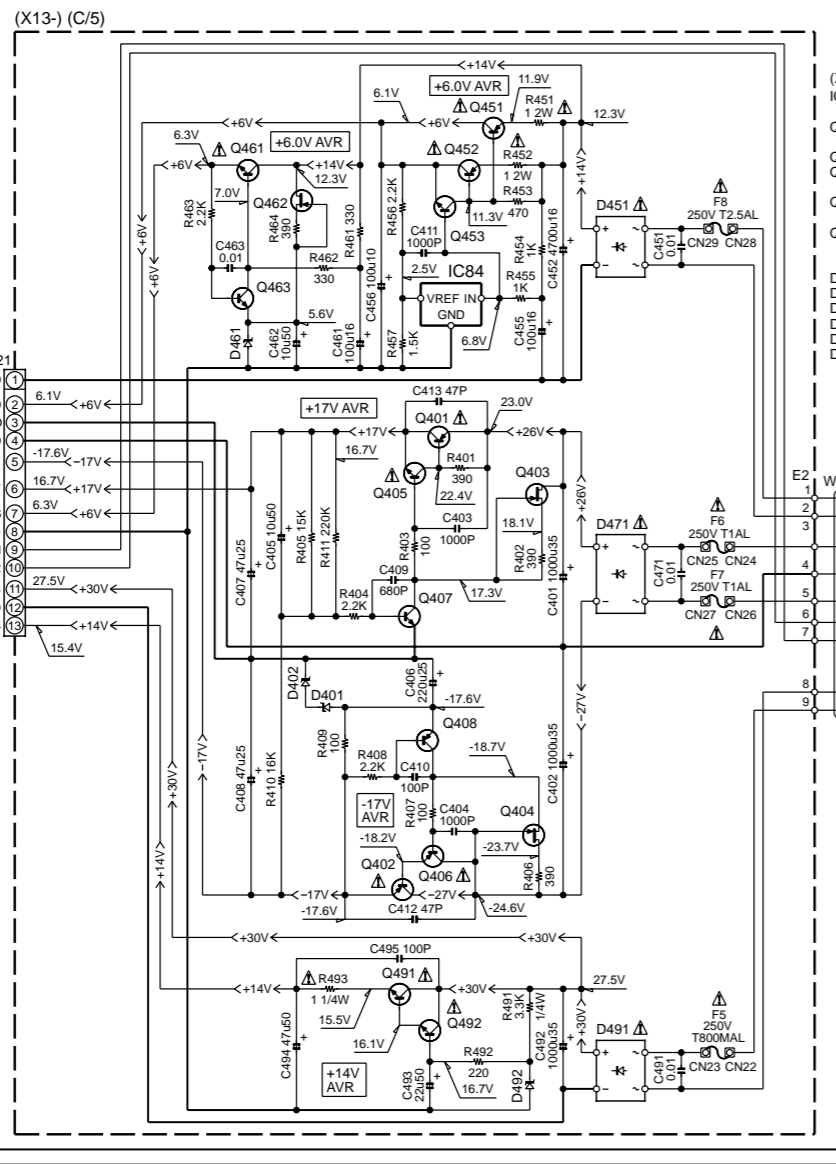
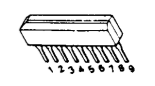
NJM4565M
 NJM4565MD
 NJM4580ED
 TC4W53FU



TC9184AP

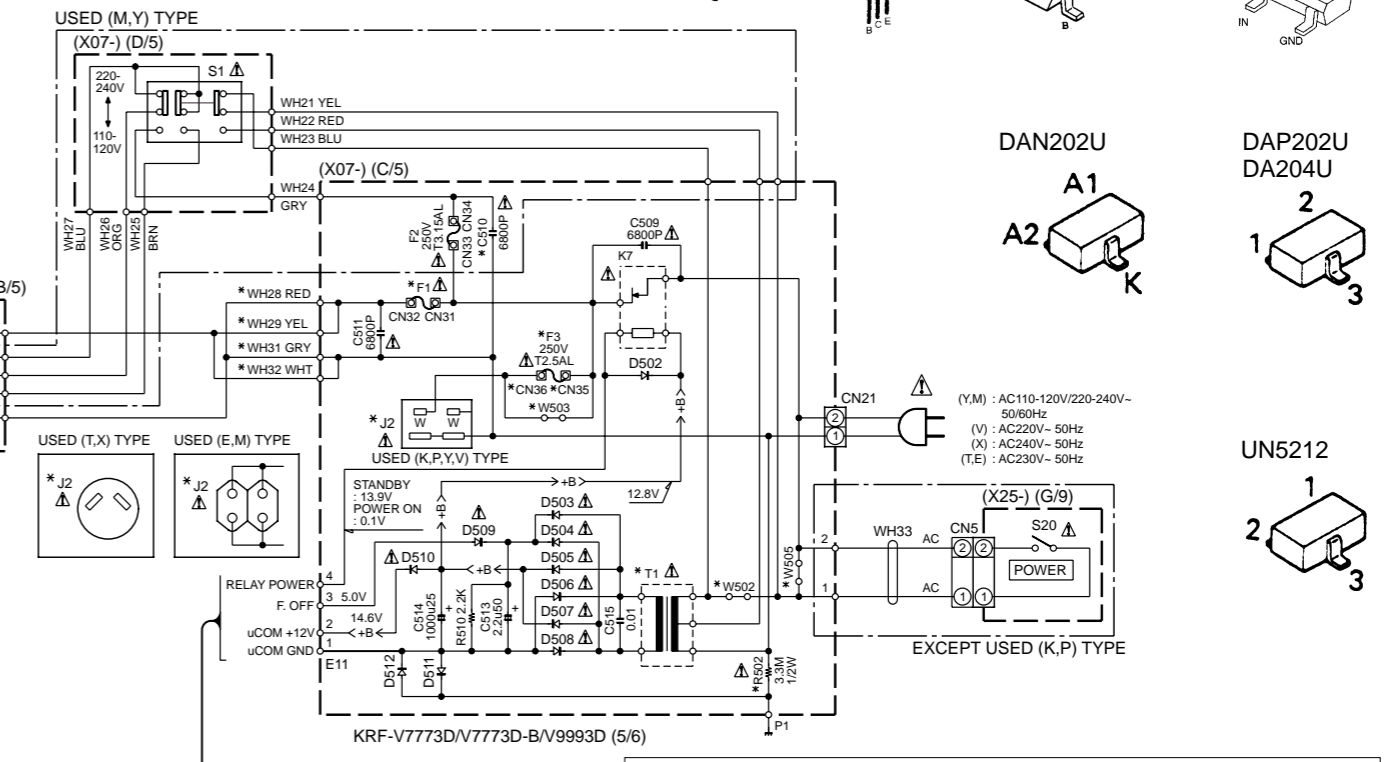


TA8409S

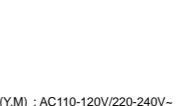


- (X13-) (C/5)
 IC84 : LM431AIZ
 Q401,402,451,452 : 2SB1370 or
 2SB1375
 Q403,404,462 : 2SK246(Y,GR)
 Q405,407,453,463,492 : 2SC4081(R,S) or
 2SC4116(Y,GR)
 Q406,408 : 2SA1576A(R,S) or
 2SA1586(Y,GR)
 Q461,491 : 2SD2061 or
 2SD2012
 D401,402 : UDZ8,2B
 D451 : D4SBL20UF03
 D461 : UDZ5,6B
 D471 : S1ZB20(4072)
 D491 : KBP02ML-6127
 D492 : UDZ16B

- 2SA1123
 2SA992
 2SC1845
 2SC2003
 2SC2631
- 2SC2878
 2SC3940A
- 2SA1110
- 2SC1740S
 2SC2458
- DTC143TUA
 UN5116
 UN5119
 UN5216
 UN5219
 2SA1576A
- 2SA1586
 2SC4116
- 2SA1535A
 2SB1370
 2SC3944A
- 2SD2061
- AN5560
- UN4219
- 2SB1375
 2SD2012
- 2SC4081
 2SD1757K
- DTA124EUA
 DTA143TUA
 DTC124EUA



DAN202U
 A1
 A2



DAP202U
 DA204U



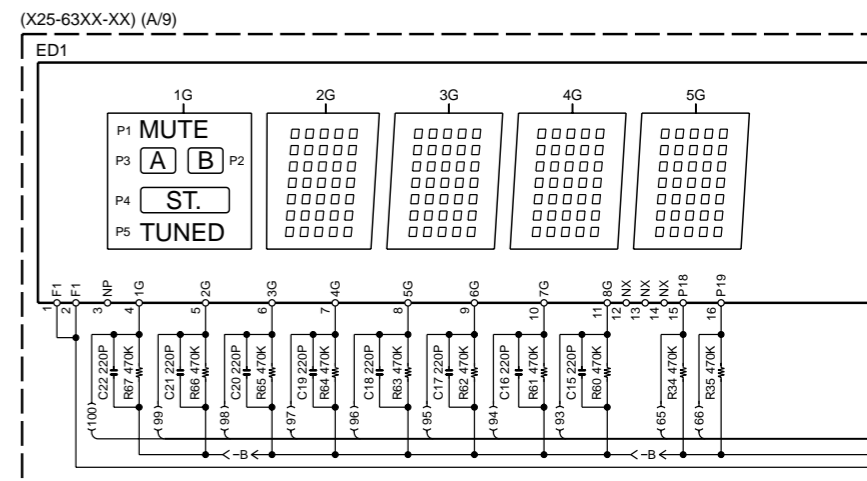
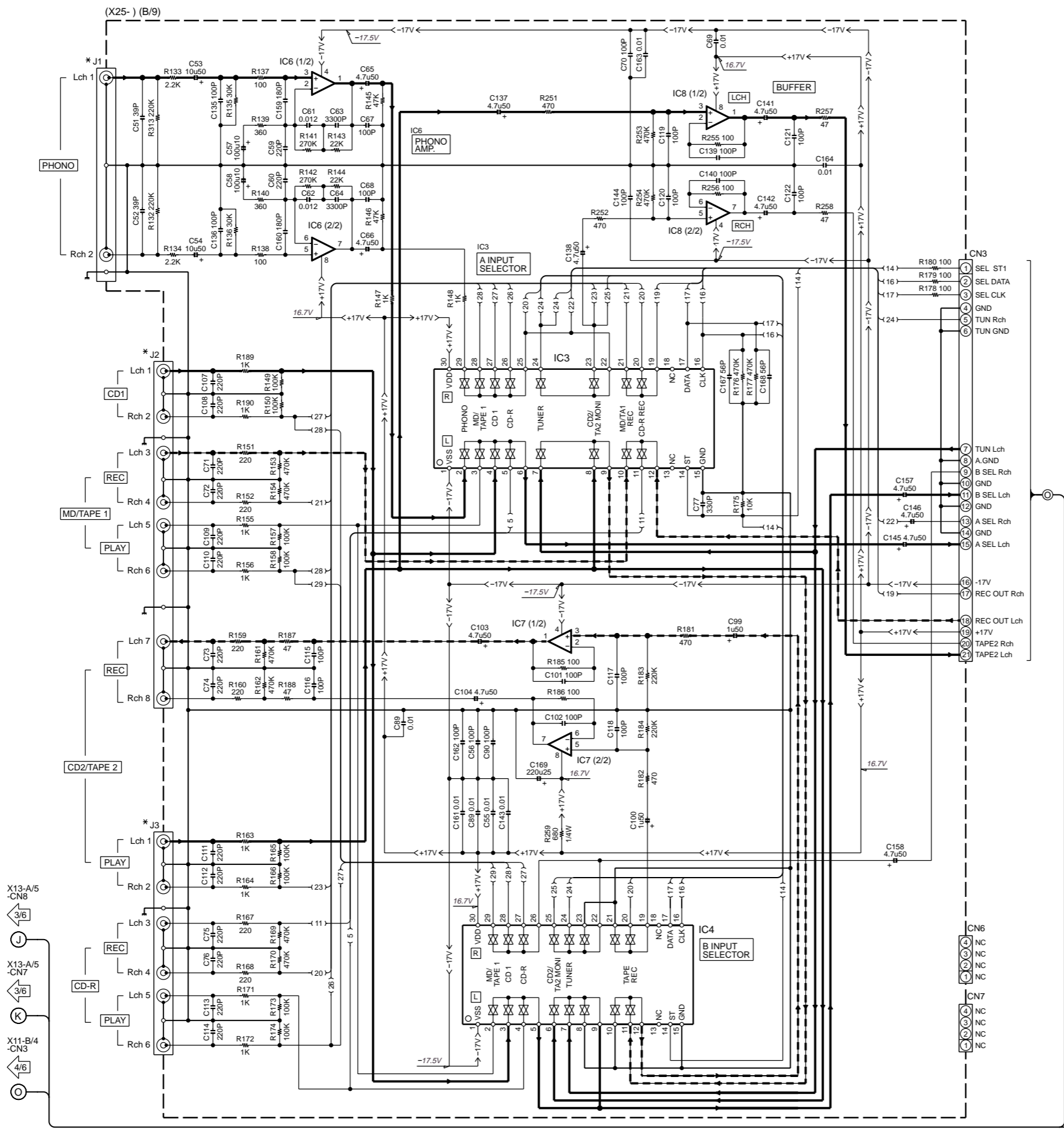
UN5212



KRF-V7773D/V7773D-B/V9993D

Y05-4090-21

KENWOOD



KRF-V7773D (X25-63XX-XX)

| DESTINATION | COUNTRY | ABB. | UNIT No. | R6,82-85, 91,92 | R107-110,116, 117,125,128 | R118 | C28 | C29, 30 | D11 | D15-18, 24,25 | D29 | IC2 |
|----------------|---------|------|----------|-----------------|---------------------------|------|-----|---------|------------------|---------------|-----|-----|
| GENERAL MARKET | M | | 22-71 | 270 | NO | YES | YES | NO | B30-2548 (GREEN) | B30-2573(RED) | NO | NO |
| AUSTRALIA | X | | | | | | | | | | | |
| EUROPE | E | | | | | | | | | | | |
| SHANGHAI | V | | 52-10 | | | | | | | | | |

KRF-V7773D-B (X25-6322-71)

| DESTINATION | COUNTRY | ABB. | UNIT No. | R6,82-85, 91,92 | R107-110,116, 117,125,128 | R118 | C28 | C29, 30 | D11 | D15-18, 24,25 | D29 | IC2 |
|----------------|---------|------|----------|-----------------|---------------------------|------|-----|---------|-------------------|-------------------|-------------------|-----|
| GENERAL MARKET | M | | NO | YES | NO | NO | YES | | E63-1108 (SILVER) | E63-1112 (SILVER) | E63-1164 (SILVER) | |
| AUSTRALIA | X | | | | | | | | | | | |
| EUROPE | E | | | | | | | | | | | |
| SHANGHAI | V | | | | | | | | | | | |

KRF-V9993D (X25-6320-01)

| DESTINATION | COUNTRY | ABB. | UNIT No. | R6,82-85, 91,92 | R107-110,116, 117,125,128 | C28, 29,30 | D11,15-18, 24,25 | D29 | IC2 |
|----------------|---------|------|----------|-----------------|---------------------------|------------|------------------|-----|-----|
| GENERAL MARKET | M | | 0-01 | 220 | YES | YES | B30-2571 (BLUE) | YES | YES |
| AUSTRALIA | X | | | | | | | | |
| EUROPE | E | | | | | | | | |
| U.K. | T | | | | | | | | |

KRF-V9993D (X25-6320-01)

| DESTINATION | COUNTRY | ABB. | UNIT No. | R6,82-85, 91,92 | R107-110,116, 117,125,128 | W107-109, 159, 188,189,215 | J1 | J2 | J3 |
|----------------|---------|------|----------|-----------------|---------------------------|----------------------------|-----------------|-----------------|-----------------|
| GENERAL MARKET | M | | YES | YES | YES | YES | E63-1109 (GOLD) | E63-1113 (GOLD) | E63-1111 (GOLD) |
| AUSTRALIA | X | | | | | | | | |
| EUROPE | E | | | | | | | | |
| U.K. | T | | | | | | | | |

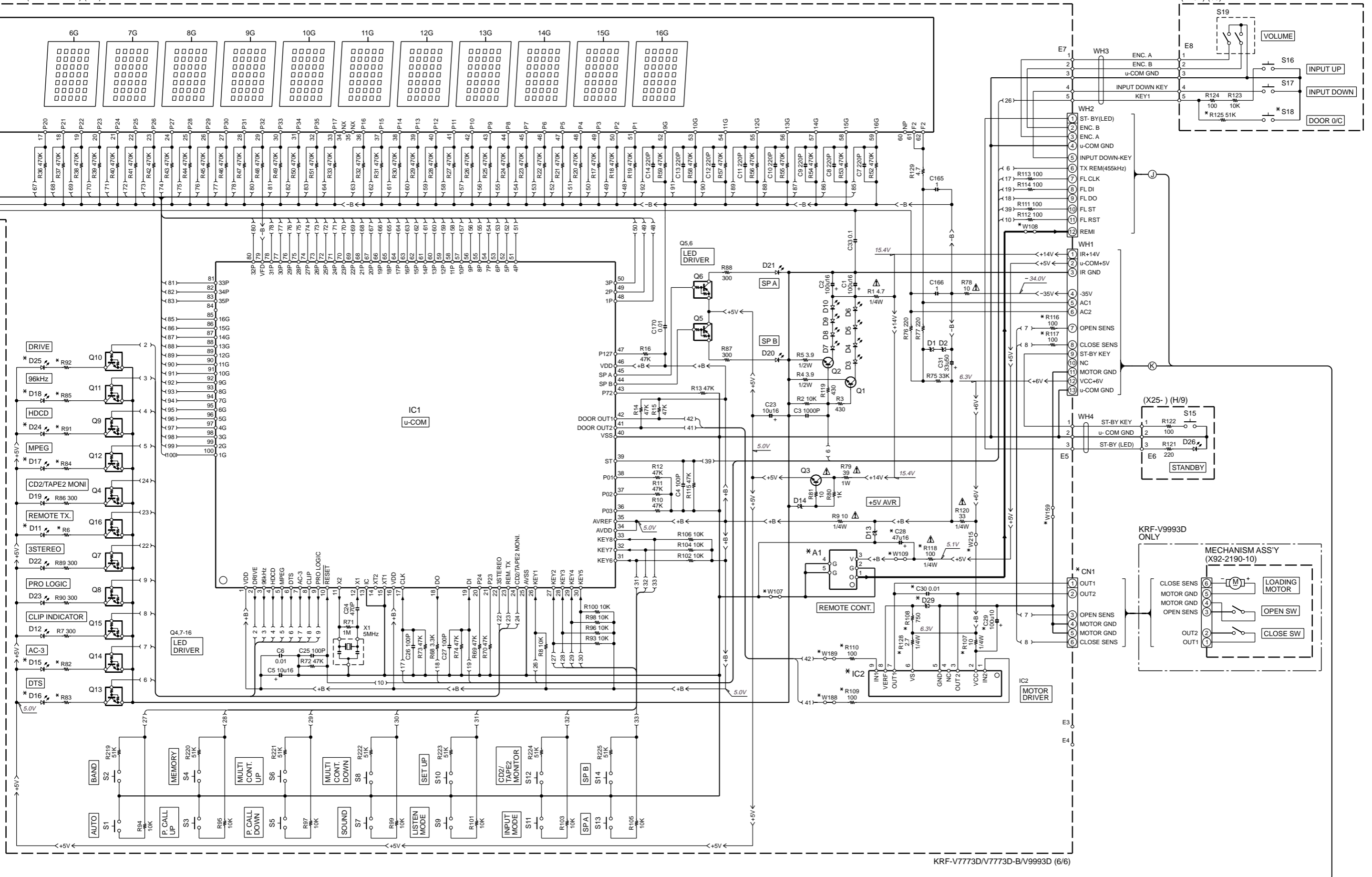
KRF-V9993D (X25-6320-01)

| DESTINATION | COUNTRY | ABB. | UNIT No. | R6,82-85, 91,92 | R107-110,116, 117,125,128 | W107-109, 159, 188,189,215 | J1 | J2 | J3 |
|----------------|---------|------|----------|-----------------|---------------------------|----------------------------|-----------------|-----------------|-----------------|
| GENERAL MARKET | M | | YES | YES | YES | YES | E63-1109 (GOLD) | E63-1113 (GOLD) | E63-1111 (GOLD) |
| AUSTRALIA | X | | | | | | | | |
| EUROPE | E | | | | | | | | |
| U.K. | T | | | | | | | | |

- IC1 : UPD780204-038
 - IC2 : TA8409S
 - IC3 : NJU7313AM
 - IC4 : NJU7312AM
 - IC6 : NJM4580ED
 - IC7,8 : NJM4565MD
- Q1-3 : 2SC3940A(R,S)
 - Q4,7-16 : DTC124EUA or UN6212
 - Q5,6 : DTA124EUA or UN6112
- D1,2,29 : MTZJ3.3(B) or RD3.3ES(B2)
 - D3-10 : B30-2532-05
 - D11 : *
 - D12,19-23 : B30-2430-05
 - D13 : MTZJ5.1(B) or RD5.1ES(B2)
 - D14 : MTZJ5.6(B) or RD5.6ES(B2)
 - D15-18,24,25 : *
 - D26 : B30-2573-05
 - ED1 : 16-MT-62GK
- DIGITAL LINE
 - SIGNAL LINE
 - GND LINE
 - +B LINE
 - -B LINE

CAUTION: For continued safety, replace safety critical components only with manufacturer's recommended parts (refer to parts list). Δ indicates safety critical components. For continued protection against risk of fire, replace only with same type and rating fuse(s). To reduce the risk of electric shock, leakage-current or resistance measurements shall be carried out (exposed parts are acceptably insulated from the supply circuit) before the appliance is returned to the customer.

The DC voltage is an actual reading measured with a high impedance type voltmeter. The measurement value may vary depending on the measuring instruments used or on the product. Refer to the voltage during PLAY unless otherwise specified; The value shown in () is the voltage measured at the moment of STOP.



KRF-V7773D/V7773D-B/V9993D (6/6)

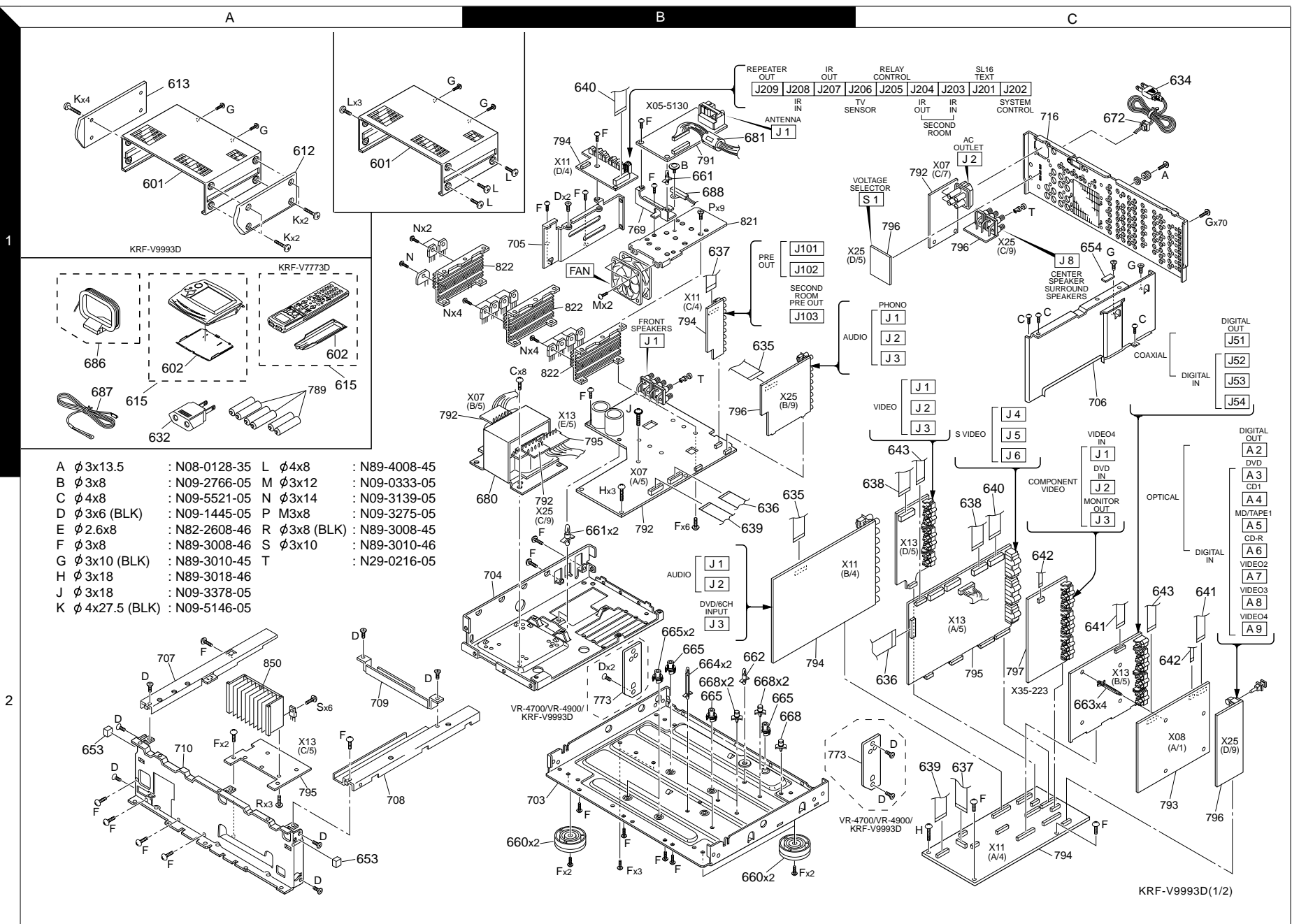
KRF-V7773D/V7773D-B/V9993D

Y05-4090-21

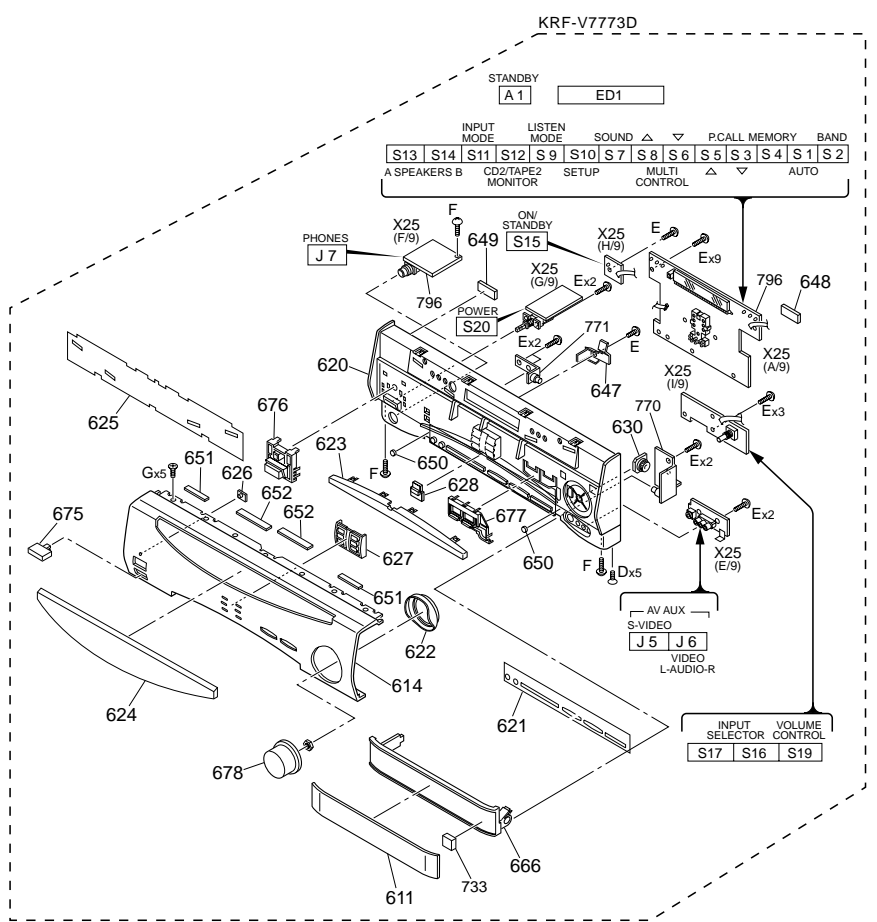
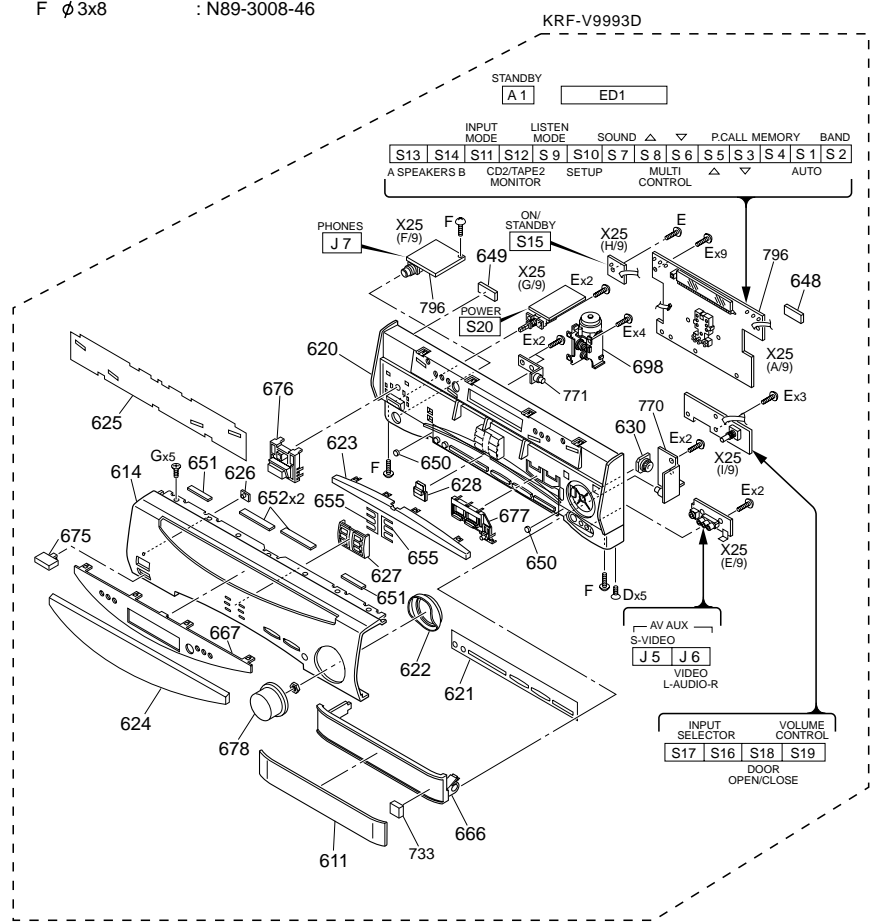
KENWOOD

KRF-V7773D/V7773D-B/V9993D

EXPLODED VIEW (UNIT)



- D ϕ 3x6 (BLK) : N09-1445-05
- E ϕ 2.6x8 : N82-2608-46
- F ϕ 3x8 : N89-3008-46



VR-4900/KRF-V9993D, VR-4080-B/VR-4090-B/KRF-V7773D (2/2)

Parts with exploded numbers larger than 700 are not supplied.

* New Parts
 Parts without **Parts No.** are not supplied.
 Les articles non mentionnés dans le **Parts No.** ne sont pas fournis.
 Teile ohne **Parts No.** werden nicht geliefert.



| Ref. No | Add-ress | New Parts | Parts No. | Description | Desti-nation | Re-marks |
|------------------------------------|----------|-----------|-------------|------------------------------|--------------|----------|
| KRF-V7773DN/V7773D-B (E2,T) | | | | | | |
| 601 | 1A | * | A01-3746-11 | METALLIC CABINET | YMXVE1 | |
| 601 | 1A | * | A01-3748-11 | METALLIC CABINET | E2T | |
| 602 | 2F | * | A09-1166-08 | BATTERY COVER | | |
| 611 | 2F | * | A29-1084-13 | PANEL | YMXV | |
| 611 | 2F | * | A29-1091-13 | PANEL | E1 | |
| 611 | 2F | * | A29-1092-13 | PANEL | E2T | |
| 614 | 2F | * | A60-1774-02 | PANEL | YMXE1 | |
| 614 | 2F | * | A60-1775-02 | PANEL | V | |
| 614 | 2F | * | A60-1784-02 | PANEL | E2T | |
| 615 | 1A | * | A70-1313-05 | REMOTE CONTROLLER (RC-R0912) | YMXV | |
| 615 | 1A | * | A70-1344-05 | REMOTE CONTROLLER (RC-R0910) | E1E2T | |
| 620 | 1F | * | B01-0540-11 | PANEL ESCUTCHEON | YMXVE1 | |
| 620 | 1F | * | B01-0541-11 | PANEL ESCUTCHEON | E2T | |
| 621 | 2F | * | B03-3859-03 | DRESSING PLATE | YMXVE1 | |
| 621 | 2F | * | B03-3860-03 | DRESSING PLATE | E2T | |
| 622 | 2F | * | B07-2495-04 | ESCUTCHEON | YMXVE1 | |
| 622 | 2F | * | B07-2496-04 | ESCUTCHEON | E2T | |
| 623 | 1F | * | B10-3569-02 | FRONT GLASS | | |
| 624 | 2E | * | B10-3570-03 | FRONT GLASS | | |
| 625 | 1E | * | B11-1501-03 | COLOR FILTER | | |
| 626 | 1E | * | B12-0390-04 | INDICATOR | | |
| 627 | 2F | * | B12-0391-14 | INDICATOR | | |
| 628 | 1F | * | B12-0392-04 | INDICATOR | | |
| - | - | - | B46-0096-53 | WARRANTY CARD | X | |
| - | - | - | B46-0310-03 | WARRANTY CARD | E1E2T | |
| - | - | - | B46-0330-03 | WARRANTY CARD | Y | |
| - | - | - | B46-0344-03 | WARRANTY CARD | V | |
| - | - | - | B46-0350-00 | QUESTIONNAIRE CARD | T | |
| - | - | - | B58-0513-04 | CAUTION CARD (PRESET220-240) | Y | |
| - | - | - | B58-0945-03 | CAUTION CARD | T | |
| - | - | - | B58-0964-13 | CAUTION CARD (UL) | Y | |
| - | - | - | B58-0965-13 | CAUTION CARD (PL) | XT | |
| - | - | - | B58-0966-13 | CAUTION CARD (PL) | ME1E2 | |
| - | - | - | B58-1546-03 | CAUTION CARD | V | |
| - | - | - | B59-1104-00 | SERVICE DIRECTORY | Y | |
| - | - | * | B60-4487-00 | INSTRUCTION MANUAL(EN) | YMXT | |
| - | - | * | B60-4488-00 | INSTRUCTION MANUAL(FR) | E1E2 | |
| - | - | * | B60-4489-00 | INSTRUCTION MANUAL(GE) | E1E2 | |
| - | - | * | B60-4490-00 | INSTRUCTION MANUAL (NE) | E1E2 | |
| - | - | * | B60-4491-00 | INSTRUCTION MANUAL (IT) | E1E2 | |
| - | - | * | B60-4492-00 | INSTRUCTION MANUAL (ES) | ME1E2 | |
| - | - | * | B60-4493-00 | INSTRUCTION MANUAL (TC) | M | |
| - | - | * | B60-4496-00 | INSTRUCTION MANUAL (SC) | V | |
| - | - | * | B60-4645-00 | INSTRUCTION MANUAL (EN) | YMXT | |
| - | - | * | B60-4646-00 | INSTRUCTION MANUAL (FR) | E1E2 | |
| - | - | * | B60-4647-00 | INSTRUCTION MANUAL (GE) | E1E2 | |
| - | - | * | B60-4648-00 | INSTRUCTION MANUAL (NE) | E1E2 | |
| - | - | * | B60-4649-00 | INSTRUCTION MANUAL (IT) | E1E2 | |
| - | - | * | B60-4650-00 | INSTRUCTION MANUAL (ES) | ME1E2 | |
| - | - | * | B60-4651-00 | INSTRUCTION MANUAL (TC) | M | |
| - | - | * | B60-4654-00 | INSTRUCTION MANUAL (SC) | V | |
| 630 | 1F | * | D39-0347-05 | DAMPER | | |

L : Scandinavia K : USA P : Canada R : Mexico C : China I : Malaysia
 Y : PX(Far East,Hawaii) T : England E : Europe G : Germany V : China(Shanghai)
 Y : AAFES(Europe) X : Australia Q : Russia H : Korea M : Other Areas indicates safety critical components.

* New Parts
 Parts without **Parts No.** are not supplied.
 Les articles non mentionnés dans le **Parts No.** ne sont pas fournis.
 Teile ohne **Parts No.** werden nicht geliefert.



| Ref. No | Add-ress | New Parts | Parts No. | Description | Desti-nation | Re-marks |
|---------|----------|-----------|-------------|-------------------------------|--------------|----------|
| △ 632 | 1A | | E03-0115-05 | AC PLUG ADAPTER | M | |
| △ 634 | 1C | | E30-2789-05 | AC POWER CORD | Y | |
| △ 634 | 1C | | E30-2790-05 | AC POWER CORD | X | |
| △ 634 | 1C | | E30-2791-05 | AC POWER CORD | T | |
| △ 634 | 1C | | E30-2824-05 | AC POWER CORD | V | |
| △ 634 | 1C | | E30-2842-05 | AC POWER CORD | ME1E2 | |
| 635 | 1B,2B | * | E35-2481-05 | FLAT CABLE 21P,80MM | | |
| 636 | 2B,2C | * | E35-2482-05 | FLAT CABLE 19P,220MM | | |
| 637 | 1B,2C | * | E35-2483-05 | FLAT CABLE 15P,340MM | | |
| 638 | 2C | * | E35-2485-05 | FLAT CABLE 17P,80MM | | |
| 639 | 2B,2C | * | E35-2486-05 | FLAT CABLE 15P,80MM | | |
| 640 | 1B,2C | * | E35-2511-15 | FLAT CABLE 17P,190MM | | |
| 641 | 2C | * | E35-2512-05 | FLAT CABLE 29P,P=1.0 | | |
| 643 | 1C,2C | * | E35-2514-05 | FLAT CABLE 21P,P=1.0 | | |
| 647 | 1F | * | G02-1701-04 | FLAT SPRING DOOR | | |
| 648 | 1F | * | G10-0541-04 | NON-WOVEN FABRIC | | |
| 649 | 1F | * | G10-0542-04 | NON-WOVEN FABRIC | | |
| 650 | 1F,2F | * | G11-2719-04 | CUSHION DOOR | | |
| 651 | 1E,2F | * | G11-2730-04 | SOFT TAPE PANEL | | |
| 652 | 1F | * | G11-2731-04 | SOFT TAPE | | |
| 653 | 1A | * | G11-2743-14 | CUSHION | | |
| 654 | 1C | * | G11-2741-04 | CUSHION FRAME | | |
| - | - | * | H10-7636-12 | POLYSTYRENE FOAMED FIXTURE | | |
| - | - | * | H10-7637-12 | POLYSTYRENE FOAMED FIXTURE | | |
| - | - | * | H13-0050-04 | CARTON BOARD | E1E2 | |
| - | - | * | H13-0330-14 | CARTON BOARD | | |
| - | - | * | H25-0232-04 | PROTECTION BAG (235X350X0.03) | E1E2 | |
| - | - | * | H25-0232-04 | PROTECTION BAG (235X350X0.03) | YMXV | |
| - | - | * | H25-0651-04 | PROTECTION BAG | T | |
| - | - | * | H25-0692-04 | PROTECTION BAG | | |
| - | - | * | H50-3572-04 | ITEM CARTON CASE | M | |
| - | - | * | H50-3573-04 | ITEM CARTON CASE | V | |
| - | - | * | H50-3574-04 | ITEM CARTON CASE | YX | |
| - | - | * | H50-3580-04 | ITEM CARTON CASE | E2T | |
| - | - | * | H50-3755-04 | ITEM CARTON CASE | E1 | |
| 660 | 2B | * | J02-1467-03 | FOOT (D=60,H=21.5) | | |
| 661 | 1B,2B | * | J19-5910-05 | UNIT HOLDER | | |
| 662 | 2B | * | J19-5911-05 | UNIT HOLDER | | |
| 663 | 2C | * | J19-5915-05 | UNIT HOLDER | | |
| 664 | 2B | * | J19-5919-05 | UNIT HOLDER | | |
| 665 | 2B | * | J19-6002-04 | UNIT HOLDER | | |
| 666 | 2F | * | J19-6053-12 | HOLDER | YMXVE1 | |
| 666 | 2F | * | J19-6068-12 | HOLDER | E2T | |
| 668 | 2B | * | J19-6069-05 | UNIT HOLDER | | |
| △ 672 | 1C | | J42-0083-05 | POWER CORD BUSHING | | |
| - | - | | J61-0307-05 | WIRE BAND | | |
| 675 | 1F | * | K27-2388-04 | KNOB (BUTTON) | YMXVE1 | |
| 675 | 1F | * | K27-2398-04 | KNOB (BUTTON) | E2T | |
| 676 | 1F | * | K29-7727-04 | KNOB | YMXVE1 | |
| 676 | 1F | * | K29-7729-04 | KNOB | E2T | |
| 677 | 1F | * | K29-7739-03 | KNOB | YMXVE1 | |
| 677 | 1F | * | K29-7740-03 | KNOB | E2T | |
| 678 | 2E | * | K29-7742-04 | KNOB | YMXVE1 | |
| 678 | 2E | * | K29-7743-04 | KNOB | E2T | |

L : Scandinavia K : USA P : Canada R : Mexico C : China I : Malaysia
 Y : PX(Far East,Hawaii) T : England E : Europe G : Germany V : China(Shanghai)
 Y : AAFES(Europe) X : Australia Q : Russia H : Korea M : Other Areas indicates safety critical components.

PARTS LIST

KRF-V7773DN/V7773D-B/V9993D

* New Parts
Parts without **Parts No.** are not supplied.
Les articles non mentionnés dans le **Parts No.** ne sont pas fournis.
Teile ohne **Parts No.** werden nicht geliefert.

③

| Ref. No | Add-ress | New Parts | Parts No. | Description | Desti-nation | Re-marks |
|-------------------|----------|-----------|---------------|------------------------------|--------------|----------|
| △ 680 | 2B | * | L07-2822-05 | POWER TRANSFORMER | YM | |
| △ 680 | 2B | * | L07-2826-05 | POWER TRANSFORMER | E1E2T | |
| △ 680 | 2B | * | L07-2851-05 | POWER TRANSFORMER | V | |
| △ 680 | 2B | * | L07-2852-05 | POWER TRANSFORMER | X | |
| 681 | 1B | * | L92-0070-05 | FERRITE CORE | | |
| 686 | 1A | * | T90-0852-05 | LOOP ANTENNA | | |
| 687 | 1A | * | T90-0855-05 | LEAD WIRE ANTENNA | | |
| 688 | 1B | * | DP40203SG104H | THERMISTOR | | |
| KRF-V9993D | | | | | | |
| 601 | 1A | * | A01-3747-11 | METALLIC CABINET | | |
| 602 | 1A | * | A09-1177-08 | BATTERY COVER | | |
| 611 | 2D | * | A29-1084-13 | PANEL | MX | |
| 611 | 2D | * | A29-1091-13 | PANEL | TE | |
| 612 | 1A | * | A50-1344-02 | SIDE PLATE | | |
| 613 | 1A | * | A50-1345-02 | SIDE PLATE | | |
| 614 | 1D | * | A60-1780-02 | PANEL | | |
| 615 | 1A | * | A70-1350-05 | REMOTE CONTROLLER (RC-R1011) | MX | |
| 615 | 1A | * | A70-1351-05 | REMOTE CONTROLLER (RC-R1010) | TE | |
| 620 | 1D | * | B01-0540-11 | PANEL ESCUTCHEON | | |
| 621 | 2D | * | B03-3859-03 | DRESSING PLATE | | |
| 622 | 2D | * | B07-2495-04 | ESCUTCHEON | | |
| 623 | 1D | * | B10-3570-03 | FRONT GLASS IR | | |
| 624 | 1D | * | B10-3571-02 | FRONT GLASS FL | | |
| 625 | 1D | * | B11-1505-03 | COLOR FILTER | | |
| 626 | 1D | * | B12-0390-04 | INDICATOR | | |
| 627 | 2D | * | B12-0391-14 | INDICATOR | | |
| 628 | 1D | * | B12-0392-04 | INDICATOR | | |
| - | | * | B46-0096-53 | WARRANTY CARD | X | |
| - | | * | B46-0310-03 | WARRANTY CARD | TE | |
| - | | * | B46-0350-00 | QUESTIONNAIRE CARD | T | |
| - | | * | B58-0945-03 | CAUTION CARD | T | |
| - | | * | B58-0965-13 | CAUTION CARD (PL) | XT | |
| - | | * | B58-0966-13 | CAUTION CARD (PL) | ME | |
| - | | * | B60-4502-00 | INSTRUCTION MANUAL(EN) | MXT | |
| - | | * | B60-4503-00 | INSTRUCTION MANUAL(FR) | E | |
| - | | * | B60-4504-00 | INSTRUCTION MANUAL(GE) | E | |
| - | | * | B60-4505-00 | INSTRUCTION MANUAL(NE) | E | |
| - | | * | B60-4506-00 | INSTRUCTION MANUAL(IT) | E | |
| - | | * | B60-4507-00 | INSTRUCTION MANUAL(ES) | E | |
| - | | * | B60-4508-00 | INSTRUCTION MANUAL(TC) | M | |
| - | | * | B60-4660-00 | INSTRUCTION MANUAL(EN) | MXT | |
| - | | * | B60-4661-00 | INSTRUCTION MANUAL(FR) | E | |
| - | | * | B60-4662-00 | INSTRUCTION MANUAL(GE) | E | |
| - | | * | B60-4663-00 | INSTRUCTION MANUAL(NE) | E | |
| - | | * | B60-4664-00 | INSTRUCTION MANUAL(IT) | E | |
| - | | * | B60-4665-00 | INSTRUCTION MANUAL(ES) | E | |
| - | | * | B60-4666-00 | INSTRUCTION MANUAL(TC) | M | |
| 630 | 1E | * | D39-0334-15 | DAMPER | | |
| △ 632 | 1A | * | E03-0343-05 | AC PLUG ADAPTER | M | |
| △ 634 | 1C | * | E30-2790-05 | AC POWER CORD | X | |
| △ 634 | 1C | * | E30-2791-05 | AC POWER CORD | T | |
| △ 634 | 1C | * | E30-2943-05 | AC POWER CORD | ME | |
| △ 635 | 1B,2B | * | E35-2481-05 | FLAT CABLE 21P,80MM | | |

L : Scandinavia K : USA P : Canada R : Mexico C : China I : Malaysia
Y : PX(Far East,Hawaii) T : England E : Europe G : Germany V : China(Shanghai)
Y : AAFES(Europe) X : Australia Q : Russia H : Korea M : Other Areas △ indicates safety critical components.

* New Parts
Parts without **Parts No.** are not supplied.
Les articles non mentionnés dans le **Parts No.** ne sont pas fournis.
Teile ohne **Parts No.** werden nicht geliefert.

④

| Ref. No | Add-ress | New Parts | Parts No. | Description | Desti-nation | Re-marks |
|---------|----------|-----------|---------------|-------------------------------|--------------|----------|
| 636 | 2B,2C | * | E35-2482-05 | FLAT CABLE 19P,220MM | | |
| 637 | 1B,2C | * | E35-2483-05 | FLAT CABLE 15P,340MM | | |
| 638 | 2C | * | E35-2485-05 | FLAT CABLE 17P,80MM | | |
| 639 | 2B,2C | * | E35-2486-05 | FLAT CABLE 15P,80MM | | |
| 640 | 1B,2C | * | E35-2511-15 | FLAT CABLE 17P,190MM | | |
| 641 | 2C | * | E35-2512-05 | FLAT CABLE 29P,P=1.0 | | |
| 642 | 2C | * | E35-2513-05 | FLAT CABLE 7P,P=1.0 | | |
| 643 | 1C,2C | * | E35-2514-05 | FLAT CABLE 21P,P=1.0 | | |
| 648 | 1E | * | G10-0541-04 | NON-WOVEN FABRIC | | |
| 649 | 1D | * | G10-0542-04 | NON-WOVEN FABRIC | | |
| 650 | 1D,2D | * | G11-2719-04 | CUSHION DOOR | | |
| 651 | 1D,2D | * | G11-2730-04 | SOFT TAPE PANEL | | |
| 652 | 1D | * | G11-2731-04 | SOFT TAPE | | |
| 653 | 2A | * | G11-2743-14 | CUSHION SUB PANEL | | |
| 654 | 1C | * | G11-2761-04 | CUSHION | | |
| 655 | 1D,2D | * | G11-2762-04 | CUSHION | | |
| - | | * | H10-7638-12 | POLYSTYRENE FOAMED FIXTURE | | |
| - | | * | H10-7639-12 | POLYSTYRENE FOAMED FIXTURE | | |
| - | | * | H10-7664-12 | POLYSTYRENE FOAMED FIXTURE | | |
| - | | * | H11-0099-04 | POLYSTYRENE FOAMED BOARD | | |
| - | | * | H12-3440-04 | PACKING FIXTURE | | |
| - | | * | H13-0050-04 | CARTON BOARD | | E |
| - | | * | H25-0232-04 | PROTECTION BAG (235X350X0.03) | | MXE |
| - | | * | H25-0651-04 | PROTECTION BAG | | T |
| - | | * | H25-1671-04 | PROTECTION BAG | | |
| - | | * | H50-3578-14 | ITEM CARTON CASE | | M |
| - | | * | H50-3579-14 | ITEM CARTON CASE | | XTE |
| 660 | 2B | * | J02-1467-03 | FOOT (D=60,H=21.5) | | |
| 661 | 1B,2B | * | J19-5910-05 | UNIT HOLDER H=8.4 | | |
| 662 | 2B | * | J19-5911-05 | UNIT HOLDER H=11.6 | | |
| 663 | 2C | * | J19-5915-05 | UNIT HOLDER H=24.2 | | |
| 664 | 2B | * | J19-5919-05 | UNIT HOLDER H=36.8 | | |
| 665 | 2B | * | J19-6002-04 | UNIT HOLDER | | |
| 666 | 2D | * | J19-6053-12 | HOLDER | | |
| 667 | 2D | * | J19-6054-02 | HOLDER | | |
| 668 | 2B | * | J19-6069-05 | UNIT HOLDER | | |
| △ 672 | 1C | * | J42-0083-05 | POWER CORD BUSHING | | XT |
| △ 672 | 1C | * | J42-0157-05 | POWER CORD BUSHING | | ME |
| - | | * | J61-0307-05 | WIRE BAND | | |
| 675 | 2D | * | K27-2388-04 | KNOB (BUTTON) | | |
| 676 | 1D | * | K29-7727-04 | KNOB | | |
| 677 | 1D | * | K29-7728-03 | KNOB | | |
| 678 | 2D | * | K29-7742-04 | KNOB | | |
| △ 680 | 2B | * | L07-2825-05 | POWER TRANSFORMER | | M |
| △ 680 | 2B | * | L07-2826-05 | POWER TRANSFORMER | | TE |
| △ 680 | 2B | * | L07-2854-05 | POWER TRANSFORMER | | X |
| 681 | 2B | * | L92-0070-05 | FERRITE CORE | | |
| 686 | 1A | * | T90-0852-05 | LOOP ANTENNA | | |
| 687 | 1A | * | T90-0855-05 | LEAD WIRE ANTENNA | | |
| 688 | 1B | * | DP40203SG104H | THERMISTOR | | |
| 698 | 1E | * | X92-2190-10 | MECHANISM ASSY | | |

L : Scandinavia K : USA P : Canada R : Mexico C : China I : Malaysia
Y : PX(Far East,Hawaii) T : England E : Europe G : Germany V : China(Shanghai)
Y : AAFES(Europe) X : Australia Q : Russia H : Korea M : Other Areas △ indicates safety critical components.

PARTS LIST

KRF-V7773D/V7773D-B/V9993D

PARTS LIST

* New Parts

Parts without **Parts No.** are not supplied.

Les articles non mentionnés dans le **Parts No.** ne sont pas fournis.

Teile ohne **Parts No.** werden nicht geliefert.

6

| Ref. No | New Parts | Parts No. | Desti-nation | Re-marks | Ref. No | New Parts | Parts No. | Desti-nation | Re-marks | Ref. No | New Parts | Parts No. | Desti-nation | Re-marks |
|--|-----------|--|------------------------|-------------|--|-----------|--|----------------------|-------------|--|-----------|---|------------------------------|------------------|
| C367,368 C381 C382 | | CF92FV1H224J CE04KW1A101M CE04KW1H4R7M | | | R211,212 R213-216 R217,218 R251-254 R255,256 | | RK73FB2A751J RD14NB2E332J RK73FB2A751J RD14NB2E470J RD14NB2E151J | | | D403 D404,405 D404,405 D406 D406 | | UDZ15B MTZJ18(B) RD18ES(B2) MTZJ5.1(B) RD5.1ES(B2) | | |
| C402 C403 C404 C405,406 C407 | | CE04KW1V470M CE04KW1H220M CE04KW1E470M CE04KW1H100M CE04KW2A470M | | | R257-260 R261,262 R263-266 R267,268 R301,302 | | RD14NB2E101J RK73FB2A751J RD14NB2E332J RK73FB2A751J RD14NB2E470J | | | Δ D407 Δ D407 D408,409 D408,409 D421 | | S5688B 1SR139-400 MTZJ20(B) RD20ES(B2) UDZ10B | YMXV | 7 |
| C421 C422 C423 C424 C424 | | CE04KW2A470M CE04KW2A100M CE04KW1E101M CE04KW2A101M CE04KW2A101M | YMXV YMXV ET | 7 9 7 | R303 R304,305 R306 R307,308 R309 | | RD14NB2E151J RD14NB2E101J RK73FB2A751J RD14NB2E332J RK73FB2A751J | | | D422,423 D424 Δ D501-504 Δ D501-504 Δ D505-508 | | UDZ11B UDZ8.2B HSS104A 1SS133 S5688B | YMXV YMXV | 7 7 |
| C424 C425 C501-503 C505,506 C507,508 | | CE04KW2A470M CE04KW2A100M CK45FE2H103P CK45FE2H103P C90-3866-05 | YMXV YMXV MX | 7 7 9 | R351-355 R356-359 R360,361 R402 R404,405 | | RS14KB3D2R7J RD14NB2E271J RS14KB3D471J RK73FB2A473J RD14NB2E561J | | | Δ D505-508 Δ D509 Δ D509 Δ D510 Δ D510 | | 1SR139-400 HSS104A 1SS133 S5688B 1SR139-400 | | |
| C507,508 C507,508 C509 C510 C511 | * * | C90-3867-05 C90-3868-05 C91-1488-05 C91-1488-05 C91-1488-05 | ET YMXV | 7 | R407 R414 R415 R421,422 R421,422 | | RD14NB2E272J RD14NB2E682J RD14NB2E1R0J RD14NB2E1R0J RD14NB2E560J | | | D511,512 D511,512 Δ D513 Δ D514 D601 | * | HSS104A 1SS133 RBV-1506LFA RBV-4102LFA UDZ5.1B | YMXV | 7 |
| C513 C514 C515 C601 C602 | | CE04RW1H2R2M CE04KW1E102M CK45FF1H103Z C91-1422-05 CE04KW1E470M | | | R421,422 R423 R424 R425 R426 | | RD14NB2E560J RK73FB2A473J RK73FB2A101J RD14NB2E272J RK73FB2A912J | YMXV | 7 9 | Δ D602 D603 Q1 ,2 Q3 -6 Q7 ,8 | | MA111 U1BC44 2SC2878(B) 2SA992(F,E) 2SA1123(R,S) | | |
| C603-605 C613,614 C901,902 C903,904 C905-909 | | CC73FSL1H101J CC45FSL2H100D CE04KW2A100M CC73FSL1H102J CC45FCH1H560J | | | R427 R428 R429 R501 R507 | | RK73FB2A473J RK73FB2A101J RD14NB2E272J RD14NB2E271J RK73FB2A103J | YMXV YMXV YMXV | 7 7 7 | Q9 -12 Q51 ,52 Q55 -58 Q59 ,60 Q61 -64 | | 2SC2631(R,S) 2SC2878(B) 2SA992(F,E) 2SA1123(R,S) 2SC2631(R,S) | | |
| CN1 CN2 CN6 CN10 CN11,12 | | E40-4873-05 E40-4875-05 E40-8258-05 E40-3246-05 E40-3247-05 | | | R601 R602-606 R607 R608 R901,902 | | RK73FB2A101J RK73FB2A472J RK73FB2A222J RK73FB2A332J RD14NB2E220J | | | Q101 Q102,103 Q104,105 Q106 Q107 | | 2SC2878(B) 2SA992(F,E) 2SC2631(R,S) 2SA1123(R,S) DTC124EUA | | |
| CN13 CN14 CN21 CN901-903 J1 | | E40-4294-05 E40-8257-05 E40-4245-05 E40-9837-05 E70-0118-05 | | | VR1 -5 W601-612 W614-625 W627-629 W651,652 | | R32-0030-05 R92-0679-05 R92-0679-05 R92-0679-05 R92-0679-05 | | | Q107 Q108 Q108 Q201,202 Q203,204 | * | UN5212 2SC1740S(Q,R) 2SC2458(Y,GR) TRAIT6N*5 TRAIT6P*5 | | |
| Δ J2 Δ J2 Δ J2 Δ J2 Δ J2 | | E03-0148-05 E03-0149-05 E03-0310-05 E03-0325-05 E03-0361-05 | Y ME T X V | | W651,652 W702-711 W714-717 | | R92-0679-05 R92-0670-05 R92-0670-05 | ET | 7 | Δ Q205,206 Q207,208 Q251,252 Q253,254 Q255,256 | * | 2SC1845(F,E) 2SA992(F,E) TRAIT6N*5 TRAIT6P*5 2SC1845(F,E) | | |
| Δ F1 Δ F1 Δ F1 ,2 Δ F3 Δ FAN | | F50-0101-05 F50-0111-05 F50-0101-05 F50-0100-05 F09-0139-05 | XET V YM E | | K1 -4 K5 K7 S1 | * | S76-0076-05 S76-0063-05 S76-0106-05 S31-3010-05 | Y | | Δ Q257,258 Q301 Q302 Q303 Q304 | * | 2SA992(F,E) TRAIT6N*5 TRAIT6P*5 2SC1845(F,E) 2SA992(F,E) | | |
| CN31,32 CN33,34 CN35,36 E3 ,4 | | J13-0075-05 J13-0075-05 J13-0075-05 J11-0808-05 | YM E | | D1 -4 D1 -4 D51 -54 D51 -54 D101,102 | | HSS104A 1SS133 HSS104A 1SS133 HSS104A | | | Q351-353 Q351-353 Q381,382 Q383,384 Q401 | | DTC113ZSA UN4219 2SC1845(F,E) 2SA992(F,E) DTC124EUA | | |
| L1 ,2 T1 T1 | * | L39-0085-05 L07-2833-05 L07-2834-05 | TVXE YM | | D101,102 D104 D104 D201-206 D201-206 | | 1SS133 HSS104A 1SS133 HSS104A 1SS133 | | | Q401 Q402 Q402 Q404 Q404 | | UN5212 DTC113ZUA UN5219 DTC113ZUA UN5219 | | |
| R11 ,12 R23 ,24 R29 -32 R67 ,68 R79 ,80 | | RK73FB2A512J RD14NB2E101J RD14NB2E221J RK73FB2A512J RD14NB2E101J | | | D207-210 D251-256 D251-256 D257-260 D301-303 | | 1SS244 HSS104A 1SS133 1SS244 HSS104A | | | Δ Q405 Δ Q405 Q406,407 Q406,407 Q408 | | 2SD2012 2SD2061 2SC1740S(Q,R) 2SC2458(Y,GR) 2SA1110(R,S) | | |
| R85 -88 R106 R112 R115,116 R118 | | RD14NB2E221J RK73FB2A512J RD14NB2E101J RD14NB2E221J RK73FB2A183J | | | D301-303 D304,305 D351-354 D351-354 D381,382 | | 1SS133 1SS244 HSS104A 1SS133 HSS104A | | | Δ Q421 Q422 Q423 Q423 Q424 | * | 2SC3944A 2SC1622A(16-8) DTC113ZUA UN5219 2SA992(F,E) | YMXV YMXV YMXV YMXV | 7 7 7 7 |
| R119 R120 R201-204 R205,206 R207-210 | | RK73FB2A101J RD14NB2E220J RD14NB2E180J RD14NB2E151J RD14NB2E101J | | | D381,382 D383,384 D383,384 D402 | | 1SS133 MTZJ4.7(B) RD4.7ES(B2) UDZ13B | | | Δ Q425 | | 2SA1535A | YMXV | 7 |

L : Scandinavia
Y : P(XFar East,Hawaii)
Y : AAFES(Europe)

K : USA
T : England
X : Australia

P : Canada
E : Europe
Q : Russia

R : Mexico
G : Germany
H : Korea

C : China
V : China(Shanghai)
M : Other Areas

I : Malaysia

Δ indicates safety critical components .

KRF-V7773D/V7773D-B/V9993D

PARTS LIST

* New Parts
 Parts without **Parts No.** are not supplied.
 Les articles non mentionnés dans le **Parts No.** ne sont pas fournis.
 Teile ohne **Parts No.** werden nicht geliefert.



| Ref. No | New Parts | Parts No. | Desti-nation | Re-marks | Ref. No | New Parts | Parts No. | Desti-nation | Re-marks | Ref. No | New Parts | Parts No. | Desti-nation | Re-marks |
|---|-----------|--|----------------|-----------------------|--|-----------|--|--------------|-----------------------|--|-----------|--|-----------------------------------|-----------------------|
| C63 -66 C67 -69 C70 | | CC73FSL1H101J CK73FF1E104Z CK73FF1E104Z | | 9 | C491 C492 | | CK45FF1H103Z CE04KW1V102M | | | C903,904 C905,906 C907,908 C909,910 C911,912 | | CK73FB1H561K CE04KW1H010M CC73FSL1H270J CK73FB1H183K CK73FB1H562K | | |
| C71 C72 C73 C74 C75 | | CK73FF1E104Z CE04KW0J471M CK73FF1E104Z CE04KW1H010M CK73FB1C104K | | | C493 C494 C495 C501,502 C503 | | CE04KW1H220M CE04KW1H470M CC73FSL1H101J CK73FB1C104K CE04KW1A101M | | | C913,914 C915,916 C917,918 C919,920 C921 | | CE04KW1H100M CK73FB1H153K CK73FB1H683K CK73FB1H821K CK73FB1H103K | | |
| C76 C77 C78 C79 C80 | | CE04KW0J471M CK73FF1E104Z CE04KW1H010M CK73FB1C104K CE04KW1H010M | | | C505 C506 C507 C508 C511 | | CC73FSL1H220J CK73FB1C104K CC73FSL1H220J CC73FSL1H220J CK73FB1C104K | | 9 9 9 | C922 C951 C961 C962 C963 | | CC73FSL1H101J CC73FSL1H210J CK73FB1H103K CC73FSL1H101J CC73FSL1H471J | | |
| C81 C82 C83 C84 C85 | | CK73FB1C104K CE04KW1H010M CK73FB1C104K CE04KW1H010M CK73FB1C104K | | 9 9 | C512 C513,514 C521 C522 C523,524 | | CK73FB1H103K CC73FSL1H470J CK73FB1C104K CK73FB1H103K CC73FSL1H470J | | | C971 C972 C973 C974,975 | | CK73FB1H103K CC73FSL1H101J CC73FSL1H471J CC73FCH1H560J | | |
| C86 C87 C88 ,89 C91 ,92 C93 ,94 | | CE04KW0J471M CK73FF1E104Z CK73EF1C105Z CE04KW1H010M CK73FB1C104K | | 9 | C531 C532 C533,534 C541 C542 | | CK73FB1C104K CK73FB1H103K CC73FSL1H470J CK73FB1C104K CK73FB1H103K | | 9 9 | CN1 ,2 CN3 CN4 ,5 CN6 CN7 | * | E40-8252-05 E40-8542-05 E40-9829-05 E40-9825-05 E40-3271-05 | | |
| C95 C96 C97 ,98 C99 ,100 C101,102 | | CE04KW1H010M CK73FB1H223K CK73FB1H103K CE04KW1C470M CE04KW0J221M | | 9 9 9 9 | C543,544 C551 C552 C553,554 C561 | | CC73FSL1H470J CK73FB1C104K CK73FB1H103K CC73FSL1H470J CK73FB1C104K | | 9 9 9 9 9 | CN8 CN9 CN10 CN11,12 CN21 | | E40-3270-05 E40-8254-05 E40-8252-05 E40-9820-05 E40-3257-05 | | |
| C103 C104 C105 C106 C107 | | CE04KW1H100M CK73FB1H182K CC73FSL1H102J CE04KW1H220M CE04KW0J221M | | 9 9 9 9 9 | C562 C563,564 C571 C572 C573,574 | | CK73FB1H103K CC73FSL1H470J CK73FB1C104K CK73FB1H103K CC73FSL1H470J | | 9 9 9 9 | CN51 CN52 CN53 J1 | | E40-8232-05 E40-9834-05 E40-9830-05 E63-1021-05 E63-1125-05 | | 7 9 |
| C108 C109 C110,111 C201-203 C204 | | CK73EF1C105Z CK73FB1H103K CK73FF1E104Z CK73FB1H103K CC73FSL1H101J | TE | 9 9 9 | C591 C594-596 C597,598 C601,602 C603,604 | | CC73FSL1H270J CK73FB1H102K CK73FB1H102K CE04KW1H470M CC45FSL1H470J | | 9 | J1 ,2 J2 ,3 J3 J4 J4 ,5 J5 ,6 | * | E63-1020-05 E63-1123-05 E56-0029-05 E56-0030-05 E56-0027-05 | | 7 9 7 9 7 |
| C204 C205 C206 C206 C207-209 | | CC73FSL1H101J CK73FF1E104Z CK73FB1E823K CK73FB1E823K CC73FSL1H101J | Y TE Y | 7 9 7 | C605,606 C607,608 C609,610 C611,612 C613,614 | | CC73FSL1H101J CE04KW1H100M CC73FSL1H470J CC45FSL1H271J CC73FSL1H101J | | 9 | J6 J51 J52 J52 J53 ,54 | * | E56-0028-05 E63-1128-05 E63-1129-05 E63-1130-05 E63-1124-05 | | 9 9 7 9 9 |
| C210 C211 C212,213 C214 C215 | | CK73FB1H472K CC73FSL1H101J CK73EF1C105Z CC73FSL1H102J CE04KW1A101M | | | C615,616 C617,618 C619,620 C621,622 C623,624 | | CE04KW1H100M CC73FSL1H470J CC45FSL1H271J CC73FSL1H101J CQ93FMG1H222J | | | Δ F5 Δ F5 Δ F6 ,7 Δ F6 ,7 Δ F8 | | F05-8013-05 F50-0107-05 F06-1022-05 F50-0108-05 F05-2525-05 | EMXYT V EMXYT V EMXYT | |
| C216 C217,218 C219 C220 C221 | | C90-1826-05 CC73FCH1H220J CE04KW1H100M CC73FSL1H561J CC73FSL1H331J | ET ET ET | | C625,626 C627,628 C629,630 C631 C632 | | CK73FB1C104K CE04KW1H100M CC73FSL1H470J CK73FB1H103K CC73FSL1H101J | | | Δ F8 | | F50-0080-05 | V | |
| C222 C223 C224 C225,226 C227 | | CE04KW1H100M CE04KW1H010M CK73FB1H103K CK73FF1E104Z CC73FSL1H101J | ET | | C633 C635 C637 C638 C639-642 | | CK73FB1H102K CK73FB1H102K CQ93FMG1H472J CQ93FMG1H104J CQ93FMG1H472J | | | CN22-29 | | J13-0075-05 | | |
| C228 C401,402 C403,404 C405 C406 | | CK73FB1H103K CE04KW1V102M CC73FSL1H102J CE04KW1H100M CE04KW1E221M | | | C701 C702,703 C704 C705 C711 | | CE04KW1H100M CC73FSL1H101J CE04KW1H100M CC73FSL1H101J CK73FB1H103K | | | L2 L3 L12 L12 X1 | * | L76-0019-05 L79-1262-05 L40-1015-34 L40-1015-34 L78-0615-05 | 9 9 9 7 | |
| C407,408 C409 C410 C411 C412,413 | | CE04KW1E470M CC73FSL1H681J CC73FSL1H101J CC73FSL1H102J CC73FSL1H470J | | | C712 C731-740 C741 C742 C743,744 | | CC73FSL1H101J CC73FSL1H101J CK73FB1H103K CC73FSL1H101J CE04KW1H2R2M | | | X2 X3 | | L78-0674-05 L77-2002-05 | ET | |
| C451 C452 C455 C456 C461 | | CK45FF1H103Z CE04KW1C472M CE04KW1C101M CE04KW1A101M CE04KW1C101M | | | C801,802 C803-808 C809,810 C811,812 C813,814 | | CE04KW1H2R2M CC73FSL1H101J CE04KW1H220M CC73FSL1H101J CE04KW1E470M | | | R1 R2 R3 R4 ,5 R6 | | RK73FB2A104J RK73FB2A750J RK73FB2A104J RK73FB2A750J RK73FB2A750J | | 9 |
| C462 C463 C471 | | CE04KW1H100M CK73FB1H103K CK45FF1H103Z | | | C821 C822 C851 C901,902 | | CK73FB1H103K CC73FSL1H101J CE04KW1H100M CE04KW1H010M | | | R7 R8 R9 R10 R11 | | RK73FB2A750J RK73FB2A104J RK73FB2A750J RK73FB2A104J RK73FB2A750J | | |
| | | | | | | | | | | R12 R13 R14 ,15 R16 R16 | | RK73FB2A104J RK73FB2A750J RK73FB2A103J RD14NB2E4R7J RD14NB2E4R7J | | 9 |
| | | | | | | | | | | R17 | | RK73FB2A562J | | 9 |

L : Scandinavia
 Y : PX(Far East,Hawaii)
 Y : AAFES(Europe)
 K : USA
 T : England
 X : Australia
 P : Canada
 E : Europe
 Q : Russia
 R : Mexico
 G : Germany
 H : Korea
 C : China
 V : China(Shanghai)
 M : Other Areas
 I : Malaysia

Δ indicates safety critical components .

PARTS LIST

* New Parts
 Parts without **Parts No.** are not supplied.
 Les articles non mentionnés dans le **Parts No.** ne sont pas fournis.
 Teile ohne **Parts No.** werden nicht geliefert.

13

| Ref. No | New Parts | Parts No. | Desti- nation | Re- marks | Ref. No | New Parts | Parts No. | Desti- nation | Re- marks | Ref. No | New Parts | Parts No. | Desti- nation | Re- marks |
|--|-----------|---|------------------|------------------|--|-----------|--|------------------|--------------|---|-----------|---|------------------|--------------|
| C107-114 C115-122 C135,136 C137,138 C139,140 | | CK73FB1H221K CC73FCH1H101J CC73FCH1H101J CE04KW1H4R7M CC73FCH1H101J | | | R135,136 R139,140 R141,142 R143,144 R145,146 | | RK73FB2A303J RK73FB2A361J RK73FB2A274J RK73FB2A223J RK73FB2A473J | | | Δ Q1 -3 Q4 Q5 ,6 Q5 ,6 | | 2SC3940A(R,S) DTC124EUA UN5212 DTA124EUA UN5112 | | |
| C141,142 C143 C144 C145,146 C157,158 | | CE04KW1H4R7M CK73FB1H103K CC73FCH1H101J CE04KW1H4R7M CE04KW1H4R7M | | | R147,148 R149,150 R151,152 R153,154 R155,156 | | RK73FB2A102J RK73FB2A104J RK73FB2A221J RK73FB2A474J RK73FB2A102J | | | Q7 -16 Q7 -16 | | DTC124EUA UN5212 | | |
| C159,160 C161 C162 C163,164 C165,166 | | CC73FCH1H181J CK73FB1H103K CC73FCH1H101J CK73FB1H103K CK73FF1C105Z | | | R157,158 R159,160 R161,162 R163,164 R165,166 | | RK73FB2A104J RK73FB2A221J RK73FB2A474J RK73FB2A102J RK73FB2A104J | | | A1 A2 A3 ,4 A5 -9 | * | W02-2737-05 W02-2717-05 W02-2716-05 W02-2716-05 | | 9 |
| C167,168 C169 C170 | | CC73FSL1H560J CE04KW1E221M CK73FB1H103K | | | R167,168 R169,170 R171,172 R173,174 R175 | | RK73FB2A221J RK73FB2A474J RK73FB2A102J RK73FB2A104J RK73FB2A103J | | | VIEDO (X35-2232-71) KRF-V9993D only | | | | |
| CN1 CN2 CN3 CN4 CN5 | | E40-3264-05 E40-4101-05 E40-8405-05 E40-9823-05 E40-8622-05 | | 9 | R176,177 R183,184 R185,186 R187 R189,190 | | RK73FB2A474J RK73FB2A224J RK73FB2A101J RK73FB2A470J RK73FB2A102J | | | C25 ,26 C27 C31 C32 C33 | | CC73FSL1H180J CE04KW1E470M CC73FCH1H271J CC73FCH1H391J CK73FB1H472K | | |
| CN6 ,7 J1 J1 J2 J2 | | E40-9820-05 E63-1108-05 E63-1109-05 E63-1112-05 E63-1113-05 | | 7 9 7 9 | R191-193 R194-198 R199 R200 R201 | | RD14NB2E100J RD14NB2E100J RK73FB2A100J RK73FB2A101J RK73FB2A102J | | 9 | C34 C35 C36 C42 C43 ,44 | | CE04KW1H2R2M CE04KW1E470M CK73FB1H103K CK73FF1C224Z CC73FCH1H220J | | |
| J3 J3 J5 J6 J7 | | E63-1111-05 E63-1164-05 E63-1121-05 E56-0026-05 E11-0190-05 | | 7 7 | R202-204 R205 R211,212 R213,214 R215,216 | | RK73FB2A101J RK73FB2A681J RK73FB2A223J RK73FB2A101J RK73FB2A750J | | | C45 C46 C47 C48 C49 | | CE04KW1H0R1M CK73FB1H103K CE04KW1H4R7M CK73FF1C105Z CK73FB1H102K | | |
| J8 | * | E70-0121-05 | | | R217 R218 R219-225 R241-245 R249 | | RK73FB2A474J RK73FB2A750J RK73FB2A513J RK73FB2A103J RK73FB2A103J | | 7 | C51 ,52 C53 C54 C55 C56 | | CK73FF1E104Z CE04KW1H010M CK73FB1H103K CE04KW1A101M CK73FF1C224Z | | |
| E3 ,4 X1 | | J11-0809-05 L78-0284-05 | | | R251,252 R253,254 R255,256 R257,258 R259 | | RK73FB2A471J RK73FB2A474J RK73FB2A101J RD14NB2E470J | | | C57 C58 C59 C60 C61 | | CC73FSL1H221J CE04KW1H2R2M CK73FB1H103K CC73FSL1H102J CK73FF1E104Z | | |
| Δ R1 R4 ,5 R6 R6 R7 | | RD14NB2E4R7J R92-2062-05 RK73FB2A151J RK73FB2A221J RK73FB2A301J | | 7 9 | W201-203 W204 W206 W207 W208 | | R92-0670-05 R92-0679-05 R92-0670-05 R92-0679-05 R92-0670-05 | | | C65 C71 ,72 C73 C74 C75 | | CK73FB1H103K CE04KW1H010M CK73FB1H222K CK73FB1H223K CK73FB1H103K | | |
| Δ R9 R10 -16 R17 -67 R68 R69 ,70 | | RD14NB2E100J RK73FB2A473J RK73FB2A474J RK73FB2A332J RK73FB2A473J | | | W209 W210-214 W215 W216,217 | | R92-0679-05 R92-0670-05 R92-0670-05 R92-0670-05 | | 9 | C77 C78 C101,102 C104 C105 | | CE04KW1H100M CE04KW1H3R3M CE04KW1C470M CC73FSL1H182J CC73FSL1H102J | | |
| R71 R72 -74 R75 R78 Δ R79 | | RK73FB2A105J RK73FB2A473J RK73FB2A333J RK73FB2A100J RS14KB3A390J | | | S1 -17 S18 S20 S19 | | S70-0031-05 S70-0031-05 S68-0088-05 T99-0602-05 | | 9 | C106 C107 C108,109 C110 C151 | | CE04KW1H220M CK73FF1C105Z CK73FB1H103K CC73FSL1H101J CE04KW1E470M | | |
| R81 R82 -85 R82 -85 R86 -90 R91 ,92 | | RK73FB2A100J RK73FB2A221J RK73FB2A271J RK73FB2A301J RK73FB2A221J | | 9 7 9 | D1 D1 ,2 D13 D13 D14 | | MTZJ3.3(B) RD3.3ES(B2) MTZJ5.1(B) RD5.1ES(B2) MTZJ5.6(B) | | | C152,153 | | CK73FF1E104Z | | |
| R91 ,92 R93 -106 R107 R109 R112-114 | | RK73FB2A271J RK73FB2A103J RD14NB2E100J RK73FB2A101J RK73FB2A101J | | 9 9 | D14 D27 ,28 D29 D29 ED1 | | RD5.6ES(B2) DA204U MTZJ3.3(B) RD3.3ES(B2) 16-MT-62GK | | 9 9 | CN1 CN2 J1 -3 | * | E40-8530-05 E40-9822-05 E63-1126-05 | | |
| R115 R116 ,117 R118 Δ R120 R121 | | RK73FB2A473J RK73FB2A101J RD14NB2E101J RD14NB2E330J RK73FB2A221J | | | IC1 IC2 IC3 IC4 IC6 | | UPD780204-038 TA8409S NJU7313AM NJU7312AM NJM4580ED | | 9 9 | X1 X2 X3 | * | L77-2281-05 L77-2282-05 L78-0711-05 | | |
| R122 R123 R124 R125 R126,127 | | RK73FB2A101J RK73FB2A103J RK73FB2A101J RK73FB2A513J RK73FB2A2R2J | | 9 | IC7 ,8 IC11 | * | NJM4565MD TC74HC151AF | | 9 | R1 -6 R7 -9 R10 -12 R13 -15 R21 | | RK73FB2A750J RK73FB2A104J RK73FB2A430J RK73FB2A1ROJ RK73FB2A561J | | |
| R128 R131,132 R133,134 | | RD14NB2E2R7J RK73FB2A224J RK73FB2A222J | | 9 | | | | | | R22 ,23 R24 R25 ,26 R28 R29 | | RK73FB2A102J RK73FB2A272J RK73FB2A103J RK73FB2A1ROJ RK73FB2A100J | | |

L : Scandinavia
 Y : PX(Far East,Hawaii)
 Y : AAFES(Europe)

K : USA
 T : England
 X : Australia

P : Canada
 E : Europe
 Q : Russia

R : Mexico
 G : Germany
 H : Korea

C : China
 V : China(Shanghai)
 M : Other Areas

I : Malaysia

Δ indicates safety critical components .

KRF-V7773D/V7773D-B/V9993D

PARTS LIST

* New Parts

Parts without **Parts No.** are not supplied.

Les articles non mentionnés dans le **Parts No.** ne sont pas fournis.

Teile ohne **Parts No.** werden nicht geliefert.

14

| Ref. No | New Parts | Parts No. | Desti-nation | Re-marks | Ref. No | New Parts | Parts No. | Desti-nation | Re-marks | Ref. No | New Parts | Parts No. | Desti-nation | Re-marks |
|---------|-----------|--------------|--------------|----------|----------|-----------|----------------|--------------|----------|---------|-----------|----------------|--------------|----------|
| R30 | | RK73FB2A1R0J | | | R93 | | RK73FB2A103J | | | Q6 | | DTC143TUA | | |
| R31 | | RK73FB2A222J | | | R101 | | RK73FB2A103J | | | Q6 | | UN5216 | | |
| R32 | | RK73FB2A331J | | | R102 | | RK73FB2A273J | | | Q7 ,8 | | DTA124EUA | | |
| R33 | | RK73FB2A272J | | | R103 | | RK73FB2A103J | | | Q7 ,8 | | UN5112 | | |
| R34 | | RK73FB2A432J | | | R104 | | RK73FB2A273J | | | Q9 ,10 | | DTC124EUA | | |
| R35 | | RK73FB2A914J | | | R105,106 | | RK73FB2A332J | | | Q9 ,10 | | UN5212 | | |
| R36 | | RK73FB2A242J | | | R107 | | RK73FB2A182J | | | Q11 | | 2SC4116(Y,GR) | | |
| R37 | | RK73FB2A471J | | | R108 | | RK73FB2A103J | | | Q11 | | 2SC4177(L5,L6) | | |
| R38 | | RK73FB2A821J | | | R109 | | RK73FB2A223J | | | Q12 ,13 | | DTC124EUA | | |
| R39 | | RK73FB2A153J | | | R110 | | RK73FB2A103J | | | Q12 ,13 | | UN5212 | | |
| R40 | | RK73FB2A684J | | | R111 | | RK73FB2A104J | | | Q14 | | 2SC4116(Y,GR) | | |
| R41 | | RK73FB2A184J | | | R112 | | RK73FB2A101J | | | Q14 | | 2SC4177(L5,L6) | | |
| R42 | | RK73FB2A433J | | | R113 | | RK73FB2A474J | | | | | | | |
| R43 | | RK73FB2A103J | | | R114 | | RK73FB2A183J | | | | | | | |
| R44 | | RK73FB2A273J | | | R115,116 | | RK73FB2A103J | | | | | | | |
| R45 ,46 | | RK73FB2A102J | | | R117 | | RK73FB2A222J | | | | | | | |
| R47 | | RK73FB2A182J | | | R118 | | RK73FB2A103J | | | | | | | |
| R48 | | RK73FB2A221J | | | R119 | | RK73FB2A1R0J | | | | | | | |
| R49 | | RK73FB2A151J | | | R151 | | RD14NB2E1R0J | | | | | | | |
| R50 | | RK73FB2A750J | | | VR1 ,2 | | R12-3101-05 | | | | | | | |
| R51 | | RK73FB2A183J | | | D1 | | DAN202U | | | | | | | |
| R52 | | RK73FB2A223J | | | D1 | | 1SS301 | | | | | | | |
| R53 | | RK73FB2A102J | | | D2 | | UDZ11B | | | | | | | |
| R54 | | RK73FB2A103J | | | D4 | | DA204U | | | | | | | |
| R55 | | RK73FB2A392J | | | D4 | | 1SS302 | | | | | | | |
| R56 | | RK73FB2A183J | | | IC1 | * | BA7613F | | | | | | | |
| R57 | | RK73FB2A223J | | | IC2 ,3 | * | BA7612F | | | | | | | |
| R58 ,59 | | RK73FB2A103J | | | IC5 | * | UPC1830GT | | | | | | | |
| R61 | | RK73FB2A103J | | | IC6 | * | AN5560 | | | | | | | |
| R62 | | RK73FB2A222J | | | IC7 | * | BA7071F | | | | | | | |
| R71 | | RK73FB2A183J | | | IC8 | * | UPC29M05HB | | | | | | | |
| R72 | | RK73FB2A224J | | | IC10 | | NJM4565M | | | | | | | |
| R73 | | RK73FB2A104J | | | Q1 | | 2SC4116(Y,GR) | | | | | | | |
| R74 | | RK73FB2A334J | | | Q1 | | 2SC4177(L5,L6) | | | | | | | |
| R75 | | RK73FB2A223J | | | Q2 | | 2SA1586(Y,GR) | | | | | | | |
| R76 | | RS14KB3A181J | | | Q2 | | 2SA1611(M5,M6) | | | | | | | |
| R77 | | RK73FB2A103J | | | Q3 ,4 | | 2SC4116(Y,GR) | | | | | | | |
| R78 | | RK73FB2A101J | | | Q3 ,4 | | 2SC4177(L5,L6) | | | | | | | |
| R79 | | RK73FB2A102J | | | Q5 | | DTC124EUA | | | | | | | |
| R81 | | RK73FB2A1R0J | | | Q5 | | UN5212 | | | | | | | |

L : Scandinavia
Y : PX(Far East,Hawaii)
Y : AAFES(Europe)

K : USA
T : England
X : Australia

P : Canada
E : Europe
Q : Russia

R : Mexico
G : Germany
H : Korea

V : China
V : China(Shanghai)
M : Other Areas

I : Malaysia

△ indicates safety critical components .

HOW TO READ THE PARTS LIST

Destination column has the abbreviation for sale country and model.

ABBREVIATION OF MODEL AND MASS PRODUCTION'S DESTINATIONS

| MODEL | CNT ABB. | Australia | Canada | China | England | Europe | Germany | Korea | Malaysia |
|--------------|-------------|-----------|----------|--------|-------------|----------|---------|------------|----------|
| | | X | P | C | T | E | G | H | I |
| KRF-V7773D | 7 | X | - | - | - | E1 | - | - | - |
| KRF-V7773D-B | 7 | - | - | - | T | E2 | - | - | - |
| KRF-V9993D | 9 | X | - | - | T | E | - | - | - |
| MODEL | CNT ABB. | Mexico | PX/AAFES | Russia | Scandinavia | Shanghai | USA | Other area | |
| | | R | Y | Q | L | V | K | M | |
| KRF-V7773D | 7 | - | Y | - | - | V | - | M | |
| KRF-V7773D-B | 7 | - | - | - | - | - | - | - | |
| KRF-V9993D | 9 | - | - | - | - | - | - | M | |

KRF-V7773D/N7773D-B/V9993D

SPECIFICATIONS

KRF-V7773D(for U.S. military)

Audio Section

Rated Output Power during stereo operation
120 watts per channel minimum RMS, both channels driven, at 6 Ω from 20Hz to 20kHz with no more than 0.05% total harmonic distortion (FTC).

Effective Output Power during stereo operation
1kHz, 10% T.H.D. at 6 Ω 140 W +140 W

Effective Output Power during surround operation
Front
1kHz, 10% T.H.D. at 6 Ω, one channel driven 160 W +160 W
20Hz ~ 20kHz, 0.06% T.H.D., 6 Ω, one channel driven 120 W +120 W
Center
1kHz, 10% T.H.D. at 6 Ω, one channel driven 160 W
20Hz ~ 20kHz, 0.06% T.H.D., 6 Ω, one channel driven 120 W
Surround
1kHz, 10% T.H.D. at 6 Ω, one channel driven 160 W +160 W
20Hz ~ 20kHz, 0.06% T.H.D., 6 Ω, one channel driven 120 W +120 W

Total Harmonic Distortion 0.005% (1kHz, 10 W, 6 Ω)
Frequency Response (IHF '66)
CD 7 Hz-90 kHz, 0 dB, -3 dB
6ch Input 7 Hz-100 kHz, 0 dB, -3 dB

Signal to Noise Ratio (IHF '66)
Phono (MM) 74 dB
CD 97 dB

Input Sensitivity / Impedance
Phono (MM) 2.5 mV /47 kΩ
CD 200 mV /47 kΩ
6ch Input 200 mV /47 kΩ

Output Level / Impedance
Tape Rec 200 mV /2.2 kΩ
Pre Out (Front, Center, Surround, Subwoofer) 1 V /1 kΩ

Tone Control
Bass ±7dB (at 100 Hz)
Treble ±7dB (at 10 kHz)

Loudness Control
Volume at -30dB level +6dB (100Hz), +3dB (10 kHz)

Digital Audio Section

Sampling Frequency 32 kHz, 44.1 kHz, 48 kHz, 96 kHz

Input Level / Impedance / Wavelength
Optical -15 dBm~-21 dBm, 660 nm +30 nm
Coaxial 0.5 Vp-p /75 Ω

Output Level / Impedance / Wavelength
Optical -15 dBm~-21 dBm, 660 nm +30 nm

Video Section

Video Inputs / Outputs
Video (composite) 1 Vp-p /75 Ω
S Video (luminance signal) 1 Vp-p /75 Ω
(chrominance signal) 0.286 Vp-p /75 Ω

FM Tuner Section

Tuning Frequency Range 87.5 MHz~108 MHz
Usable Sensitivity (Mono) 1.6 μV (75 Ω)/15.2 dBf (75 kHz dev., SINAD 30 dB)
50 dB Quieting Sensitivity
Stereo 31.6 μV (75 Ω)/41.2 dBf

Total Harmonic Distortion (1 kHz)
Mono 0.3% (65 dBf input)
Stereo 0.7% (65 dBf input)

Signal to Noise Ratio (1 kHz, 75 kHz DEV.)
Mono 75 dB (65 dBf input)
Stereo 68 dB (65 dBf input)

Stereo Separation (1 kHz) 38 dB
Selectivity (±400 kHz) 70 dB
Frequency Response 30 Hz~15 kHz, +0.5 dB, -3.0 dB

AM Tuner Section

Tuning Frequency Range
10 kHz step 530 kHz~1,700 kHz
Usable Sensitivity (30% mod., S/N 20 dB) 16 μV / (600 μV/m)
Signal to Noise Ratio (30% mod. 1 mV input) 50 dB

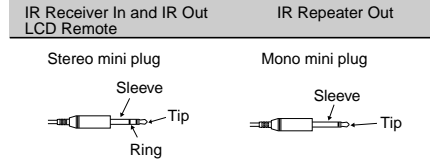
IR In/Out Section

IR Receiver In Terminal
Maximum Output Current 20 mA
Operating Voltage 12 V
Output Impedance 470 Ω

IR Out LCD Remote Terminal
Maximum Output Current 20 mA
Operating Voltage 5 V
Output Impedance 470 Ω

IR Repeater Out Terminal
Maximum Output Current 20 mA
Operating Voltage 12 V
Output Impedance 470 Ω

SHAPE OF PLUG TO BE CONNECTED:



IR IN/OUT SPECIFICATION:

| Terminal | IR Receiver In | IR OUT LCD REMOTE |
|-----------|----------------|-------------------|
| To Tip | Signal | Signal |
| To Ground | Ground | |
| To Sleeve | +12V | Ground |

General

Power consumption 350 W
AC outlet Switched 2 (total 90 W, 0.75 A max.)
Dimensions W : 440 mm (17-5/16")
H : 191 mm (7-1/2")
D : 416 mm (16-3/8")
Weight (Net) 14.3 kg (31.5lb)

KRF-V7773D(for U.K.)

Audio Section

Rated Output Power during stereo operation
1kHz, 0.05% T.H.D. at 4 Ω (DIN/IEC) 130 W +130 W
20Hz ~ 20kHz, 0.05% T.H.D., 4 Ω (IEC) 120 W +120 W

Effective Output Power during surround operation
Front
20 Hz ~ 20 kHz, 0.06% T.H.D., 4 Ω, one channel driven 120 W +120 W
Center
20Hz ~ 20kHz, 0.06% T.H.D., 4 Ω, one channel driven 120 W
Surround
20 Hz ~ 20 kHz, 0.06% T.H.D., 4 Ω, one channel driven 120 W +120 W

Total Harmonic Distortion 0.005% (1 kHz, 10 W, 6 Ω)
Frequency Response (IHF '66)
CD 7 Hz-90 kHz, 0 dB, -3 dB
6ch Input 7 Hz-100 kHz, 0 dB, -3 dB

Signal to Noise Ratio (IHF '66)
Phono (MM) 74 dB
CD 97 dB

Input Sensitivity / Impedance
Phono (MM) 2.5 mV /47 kΩ
CD 200 mV /47 kΩ
6ch Input 200 mV /47 kΩ

Output Level / Impedance
Tape Rec 200 mV /2.2 kΩ
Pre Out (Front, Center, Surround, Subwoofer) 1 V /1 kΩ

Loudness Control
Volume at -30 dB level +6 dB (100 Hz), +3 dB (10 kHz)

Digital Audio Section

Sampling Frequency 32 kHz, 44.1 kHz, 48 kHz, 96 kHz

Input Level / Impedance / Wavelength
Optical -15 dBm~-21 dBm, 660 nm +30 nm
Coaxial 0.5 Vp-p /75 Ω

Output Level / Impedance / Wavelength
Optical -15 dBm~-21 dBm, 660 nm +30 nm

Video Section

Video Inputs / Outputs
Video (composite) 1 Vp-p /75 Ω
S Video (luminance signal) 1 Vp-p /75 Ω
(chrominance signal) 0.286 Vp-p /75 Ω

FM Tuner Section

Tuning Frequency Range 87.5 MHz~108 MHz
Usable Sensitivity (Mono) 1.2 μV (DIN at 75Ω)/13.2 dBf (40kHz dev., S/N 26dB)
Usable Sensitivity (STEREO) 45 μV (DIN at 75Ω)/44.2 dBf (46kHz dev., S/N 46dB)
Total Harmonic Distortion (DIN at 1 kHz)
Mono 0.2% (65.2 dBf input)
Stereo 0.8% (65.2 dBf input)

Signal to Noise Ratio (DIN/1 kHz, 40 kHz Dev.)
Mono 65dB (65.2 dBf input)
Stereo 60dB (65.2 dBf input)

Stereo Separation (DIN at 1 kHz) 36 dB
Selectivity (DIN, ±300kHz) 64 dB
Frequency Response 30Hz~15 kHz, +0.5 dB, -3.0 dB

AM Tuner Section

Tuning Frequency Range 531 kHz~1,602 kHz
Usable Sensitivity (30% mod., S/N 20 dB) 16 μV / (600 μV/m)
Signal to Noise Ratio (30% mod. 1 mV input) 50 dB

General

Power consumption 480 W
AC outlet Switched 2 (total 90W max.)
Dimensions W : 440 mm
H : 191 mm
D : 416 mm
Weight (Net) 18 kg (39.7lb)

KRF-V7773D(for other countries.)

Audio Section

Rated Output Power during stereo operation
20 Hz ~ 20 kHz, 0.7% T.H.D., 6 Ω (IEC) 130 W +130 W

Effective Output Power during stereo operation
1kHz, 10% T.H.D. at 6 Ω 140 W +140 W

Effective Output Power during surround operation
Front
1kHz, 10% T.H.D. at 6 Ω, one channel driven 160 W +160 W
20 Hz ~ 20 kHz, 0.06% T.H.D., 6 Ω, one channel driven 120 W +120 W
Center
1kHz, 10% T.H.D. at 6 Ω, one channel driven 160 W
20Hz ~ 20kHz, 0.06% T.H.D., 6 Ω, one channel driven 120 W
Surround
1 kHz, 10% T.H.D. at 6 Ω, one channel driven 160 W +160 W
20 Hz ~ 20 kHz, 0.06% T.H.D., 6 Ω, one channel driven 120 W +120 W

Total Harmonic Distortion 0.005% (1 kHz, 10 W, 6 Ω)
Frequency Response (IHF '66)
CD 7Hz-90 kHz, 0 dB, -3 dB
6ch Input 7Hz-100 kHz, 0 dB, -3 dB

Signal to Noise Ratio (IHF '66)
Phono (MM) 74 dB
CD 97 dB

Input Sensitivity / Impedance
Phono (MM) 2.5 mV /47 kΩ
CD 200 mV /47 kΩ
6ch Input 200 mV /47 kΩ

Output Level / Impedance
Tape Rec 200 mV /2.2 kΩ
Pre Out (Front, Center, Surround, Subwoofer) 1 V /1 kΩ

Loudness Control
Volume at -30dB level +6 dB (100 Hz), +3 dB (10 kHz)

Digital Audio Section

Sampling Frequency 32 kHz, 44.1 kHz, 48 kHz, 96 kHz

Input Level / Impedance / Wavelength
Optical -15 dBm~-21 dBm, 660 nm +30 nm
Coaxial 0.5 Vp-p /75 Ω

Output Level / Impedance / Wavelength
Optical -15 dBm~-21 dBm, 660 nm +30 nm

Video Section

Video Inputs / Outputs
Video (composite) 1 Vp-p /75 Ω
S Video (luminance signal) 1 Vp-p /75 Ω
(chrominance signal) 0.286 Vp-p /75 Ω

FM Tuner Section

Tuning Frequency Range 87.5 MHz~108 MHz
Usable Sensitivity (Mono) 1.6 μV (75 Ω)/15.2 dBf (75 kHz dev., SINAD 30 dB)
50dB Quieting Sensitivity
STEREO 31.6 μV/41.2 dBf (75 Ω)
Total Harmonic Distortion (1 kHz)
Mono 0.6% (65 dBf input)
Stereo 0.7% (65 dBf input)

Signal to Noise Ratio (1 kHz, 75 kHz Dev.)
Mono 75 dB (65 dBf input)
Stereo 68 dB (65 dBf input)

Stereo Separation (1 kHz) 38 dB
Selectivity (±400 kHz) 50 dB
Frequency Response 30 Hz~15 kHz, +0.5 dB, -3.0 dB

AM Tuner Section

Tuning Frequency Range
9kHz step 531 kHz~1,602 kHz
10kHz step 530 kHz~1,610 kHz
Usable Sensitivity (30% mod., S/N 20 dB) 16 μV / (600 μV/m)
Signal to Noise Ratio (30% mod. 1 mV input) 50 dB

General

Power consumption 480 W
AC outlet Switched 2 (total 90W max.)
Dimensions W : 440 mm
H : 191 mm
D : 416 mm
Weight (Net) 18 kg (39.7lb)

KRF-V7773D/V7773D-B/V9993D

SPECIFICATIONS

KRF-V9993D (for U.K.)

Audio Section

Rated Output Power during stereo operation
20 Hz ~ 20 kHz, 0.05% T.H.D., 4Ω (IEC)
..... 130 W + 130 W
1 kHz, 0.05% T.H.D., 4Ω (DIN/IEC) 130 W + 130 W

Effective Output Power during surround operation
(Simultaneous power)
Front
20 Hz ~ 20 kHz, 0.06 % T.H.D. at 4 Ω 130 W + 130 W
Center
20 Hz ~ 20 kHz, 0.06 % T.H.D. at 4 Ω 130 W
Surround
20 Hz ~ 20 kHz, 0.06 % T.H.D. at 4 Ω 130 W + 130 W

Total Harmonic Distortion 0.005 % (1 kHz, 10 W, 4 Ω)

Frequency Response (IHF'66)
CD1 7 Hz ~ 90 kHz, 0 dB, -3 dB
DVD 6CH 7 Hz ~ 100 kHz, 0 dB, -3 dB

Signal to Noise Ratio (IHF'66)
PHONO (MM) 74 dB
CD1 97 dB

Input Sensitivity / Impedance
PHONO (MM) 2.5 mV / 47 kΩ
CD1 200 mV / 47 kΩ
DVD 6CH 200 mV / 47 kΩ

Output Level / Impedance
TAPE REC 200 mV / 2.2 kΩ
PRE OUT(Front, Center, Surround, Subwoofer) 1 V / 1 kΩ

Tone Control
Bass ±7 dB (at 100 Hz)
Treble ±7 dB (at 10 kHz)

Loudness Control Volume at -40 dB level
..... +6 dB (100 Hz), +3 dB (10 kHz)

Digital Audio Section

Sampling Frequency 32 kHz, 44.1 kHz, 48 kHz, 96 kHz
Input Level / Impedance / Wavelength
Optical -15 dBm ~ -21 dBm, 660 nm ±30 nm
Coaxial 0.5 Vp-p / 75 Ω

Output Level / Impedance / Wavelength
Optical -15 dBm ~ -21 dBm, 660 nm ±30 nm
Coaxial 0.5 Vp-p / 75 Ω

KRF-V9993D (for Other Countries)

Audio Section

Rated Output Power during stereo operation
20 Hz ~ 20 kHz, 0.7% T.H.D., 6Ω (IEC)
..... 145 W + 145 W
130 watts per channel minimum RMS, both channels
driven, at 6 Ω from 20Hz to 20kHz with no more than
0.05% total harmonic distortion (FTC).

Effective Output Power during stereo operation
1 kHz, 10 % T.H.D. at 6 Ω 165 W + 165 W

Effective Output Power during surround operation
Front
1 kHz, 10 % T.H.D. at 6 Ω, one channel driven 185 W + 185 W
Center
1kHz, 10% T.H.D. at 6 Ω, one channel driven 185 W
Surround
1kHz, 10% T.H.D. at 6 Ω, one channel driven
..... 185 W + 185 W

Total Harmonic Distortion 0.005 % (1 kHz, 10 W, 6 Ω)

Frequency Response (IHF'66)
CD1 7 Hz ~ 90 kHz, 0 dB, -3 dB
DVD 6CH 7 Hz ~ 100 kHz, 0 dB, -3 dB

Signal to Noise Ratio (IHF'66)
PHONO (MM) 74 dB
CD1 97 dB

Input Sensitivity / Impedance
PHONO (MM) 2.5 mV / 47 kΩ
CD1 200 mV / 47 kΩ
DVD 6CH 200 mV / 47 kΩ

Video Section

Video Inputs / Outputs
Video (composite) 1 Vp-p / 75 Ω
S Video (luminance signal) 1 Vp-p / 75 Ω
(chrominance signal) 0.286 Vp-p / 75 Ω
Component (luminance signal) 1 Vp-p / 75 Ω
(Cb/Cr-signal) ±0.350 Vp-p / 75 Ω

FM Tuner Section

Tuning Frequency Range 87.5 MHz ~ 108 MHz
Usable Sensitivity (DIN at 75 Ω)
Mono 1.2 μV/ 13.2 dBf (40 kHz dev., S/N 26 dB)
Stereo 45 μV/ 44.2 dBf (46 kHz dev., S/N 46 dB)

Total Harmonic Distortion (1 kHz)
Mono 0.2 % (65.2 dBf input)
Stereo 0.8 % (65.2 dBf input)

Signal to Noise Ratio (DIN, at 1 kHz, 40 kHz dev.)
Mono 65 dB (65.2 dBf input)
Stereo 60 dB (65.2 dBf input)

Stereo Separation (1 kHz) 36 dB
Selectivity (DIN +300 kHz) 64 dB
Frequency Response 30 Hz ~ 15 kHz, +0.5 dB, -3.0 dB

AM Tuner Section

Tuning Frequency Range 531 kHz ~ 1,602 kHz
Usable Sensitivity (30 % mod., S/N 20 dB)
..... 16 μV / (600 μV/m)

Signal to Noise Ratio (30 % mod., 1 mV input) 50 dB

IR In/Out Section

IR Receiver In Terminal
Maximum Output Current 20 mA
Operating Voltage 12 V
Output Impedance 470 Ω

IR Out LCD Remote Terminal
Maximum Output Current 20 mA
Operating Voltage 5 V
Output Impedance 470 Ω

Output Level / Impedance
TAPE REC 200 mV / 2.2 kΩ
PRE OUT (Front, Center, Surround, Subwoofer) .. 1 V / 1 kΩ

Tone Control
Bass ±7 dB (at 100 Hz)
Treble ±7 dB (at 10 kHz)

Loudness Control
Volume at -30 dB level +6 dB (100 Hz), +3 dB (10 kHz)

Digital Audio Section

Sampling Frequency 32 kHz, 44.1 kHz, 48 kHz, 96 kHz
Input Level / Impedance / Wavelength
Optical -15 dBm ~ -21 dBm, 660 nm ±30 nm
Coaxial 0.5 Vp-p / 75 Ω

Output Level / Impedance / Wavelength
Optical -15 dBm ~ -21 dBm, 660 nm ±30 nm
Coaxial 0.5 Vp-p / 75 Ω

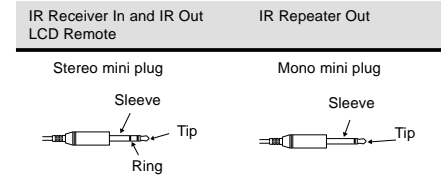
Video Section

Video Inputs / Outputs
Video (composite) 1 Vp-p / 75 Ω
S Video (luminance signal) 1 Vp-p / 75 Ω
(chrominance signal) 0.286 Vp-p / 75 Ω
Component (luminance signal) 1 Vp-p / 75 Ω
(Cb/Cr-signal) ±0.350 Vp-p / 75 Ω

FM Tuner Section

Tuning Frequency Range 87.5 MHz ~ 108 MHz
Usable Sensitivity (Mono)
..... 1.6 μV (75 Ω) / 15.2 dBf (75 kHz dev., sinad 30 dB)

SHAPE OF PLUG TO BE CONNECTED:



IR IN/OUT SPECIFICATION:

| | Terminal | |
|-----------|----------------|-------------------|
| | IR Receiver In | IR OUT LCD REMOTE |
| To Tip | Signal | Signal |
| To Ring | Ground | |
| To Sleeve | +12V | Ground |

RELAY CONTROL SPECIFICATION:

| | status | | |
|-----------|-----------|----------|---|
| | Power Off | Power On | Power On and when switched to Video Input |
| To Tip | 0V | 0V | +12V |
| To Ring | 0V | +12V | +12V |
| To Sleeve | Ground | Ground | Ground |

General

Power consumption 480 W

AC outlet
Switched 2 (total 90 W max.)

Dimensions W : 480mm
H : 191mm
D : 416mm

Weight (Net) 18 kg

50dB Quieting Sensitivity
Stereo 31.6 μV (75 Ω) / 41.2 dBf

Total Harmonic Distortion (1 kHz)
Mono 0.6 % (65 dBf input)
Stereo 0.7 % (65 dBf input)

Signal to Noise Ratio (1 kHz, 75 kHz DEV.)
Mono 75 dB (65 dBf input)
Stereo 68 dB (65 dBf input)

Stereo Separation (1 kHz) 38 dB
Selectivity (±400 kHz) 50 dB
Frequency Response 30 Hz ~ 15 kHz, +0.5 dB, -3.0 dB

AM Tuner Section

Tuning Frequency Range
9kHz step 531 kHz ~ 1,602 kHz
10kHz step 530 kHz ~ 1,610 kHz

Usable Sensitivity (30 % mod., S/N 20 dB)
..... 16 μV / (600 μV/m)

Signal to Noise Ratio (30 % mod. 1 mV input) 50 dB

General

Power consumption 430 W

AC outlet
Switched(except for Australia) 2 (total 70 W max.)
Switched(for Australia) 1 (total 70 W max.)

Dimensions W : 480mm
H : 191mm
D : 416mm

Weight (Net) 18.1 kg

1. Kenwood follows a policy of continuous advancements in development. For this reason, specifications may be changed without notice.
2. Full performance may not be exhibited in extremely cold locations (below 0 deg. C).

Note:

Component and circuit are subject to modification to insure best operation under differing local conditions. This manual is based on Europe (E) standard, and provides information on regional circuit modification through use of alternate schematic diagrams, and information on regional component variations through use of parts list.

KENWOOD CORPORATION

14-6,Dogenzaka 1-chome, Shibuya-ku, Tokyo, 150-8501 Japan

KENWOOD SERVICE CORPORATION

P.O BOX 22745, 2201 East Dominguez St., Long Beach, CA 90801-5745, U.S.A.

KENWOOD ELECTRONICS BELGUM N.V.

Meachelssteenweg 418, B-1930 Zaventem, Belgium