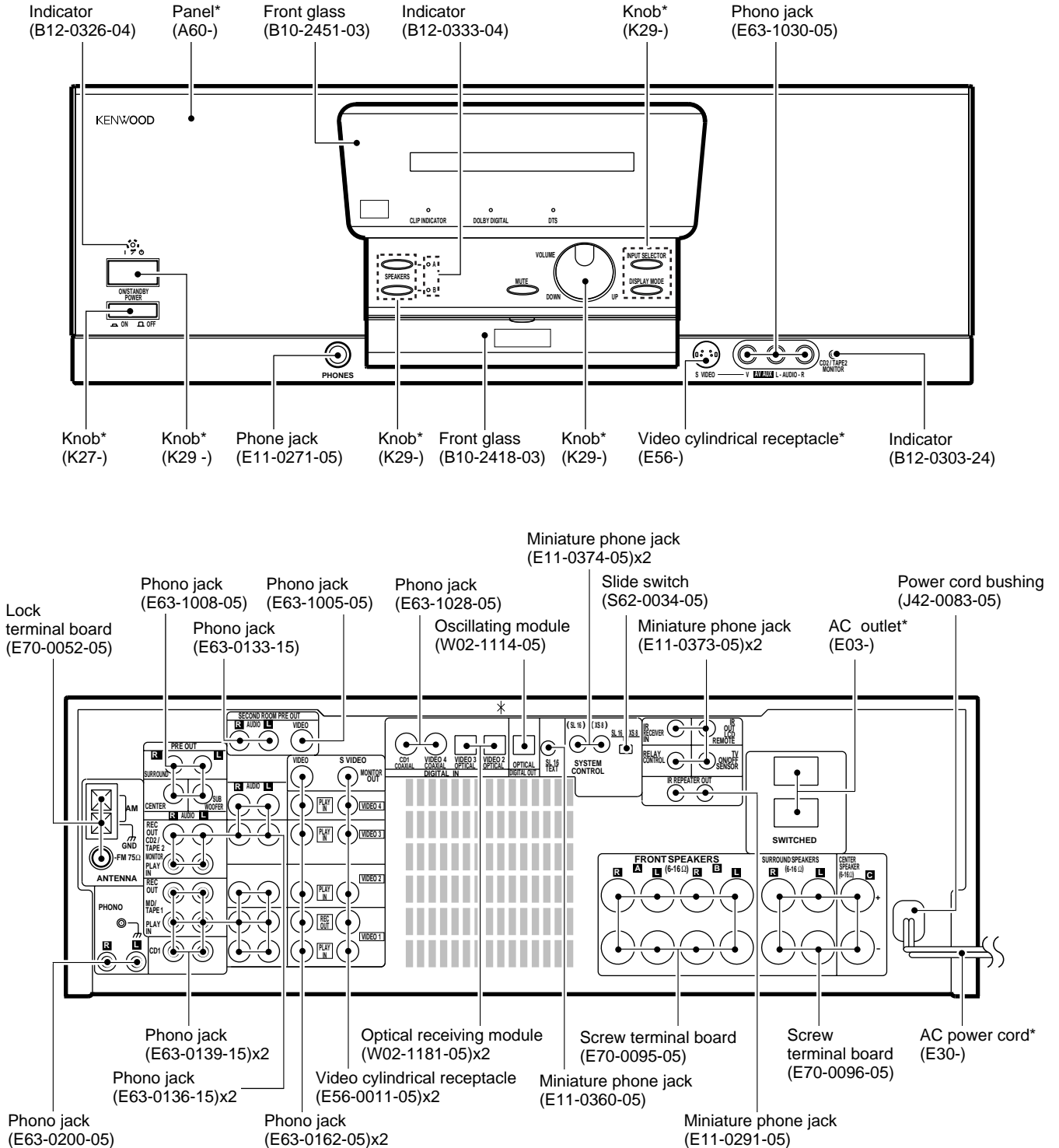


KRF-V7771D/VR-2080 KRF-V8881D/VR-2090 SERVICE MANUAL



* Refer to parts list on page 60.



CONTENTS / ACCESSORIES / CAUTIONS

Contents

CONTENTS / ACCESSORIES / CAUTIONS.....	2	WIRING DIAGRAM	19
CONTROLS	3	PC BOARD	23
DISASSEMBLY FOR REPAIR	5	SCHEMATIC DIAGRAM	31
BLOCK DIAGRAM	6	EXPLODED VIEW	59
CIRCUIT DESCRIPTION	9	PARTS LIST	60
ADJUSTMENT	17	SPECIFICATIONS	79

Accessories

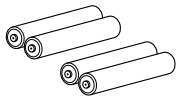
Check that the following accessories are present.

Remote control unit (1)
(A70-1191-05)

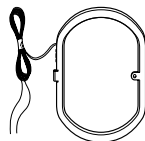


(RC-R0907)
Battery cover(A09-0378-08)

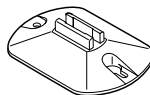
Batteries(R6/AA) (4)



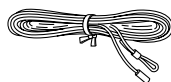
AM loop antenna (1) (T90-0833-05)



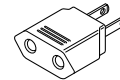
Loop antenna stand (1)
(J19-3645-05)



FM indoor antenna (1)
(T90-0835-05)



* AC plug adaptor (1)
(E03-0115-05)



* Use to adapt the plug on the power cord to the shape of the wall outlet. (Accessory only for regions where use is necessary.)

Cautions

How to reset the microcomputer

The microcomputer may malfunction (impossibility of operation, erroneous display, etc.) when the power cord is unplugged and plugged in again while the unit is in ON mode with the I/⏻ key pressed or due to other external causes. In this case, execute the procedure on the right to reset the microcomputer and return the unit to the normal condition.

- Resetting the microcomputer clears the memory you entered and returns it to the initial condition when the unit left the factory.

U.S.A. and Canada

- ❶ Unplug the power cord from the wall outlet.
- ❷ While holding the I/⏻ (ON/STANDBY) key depressed, plug the power cord into the wall outlet again.

Expect for U.S.A. and Canada

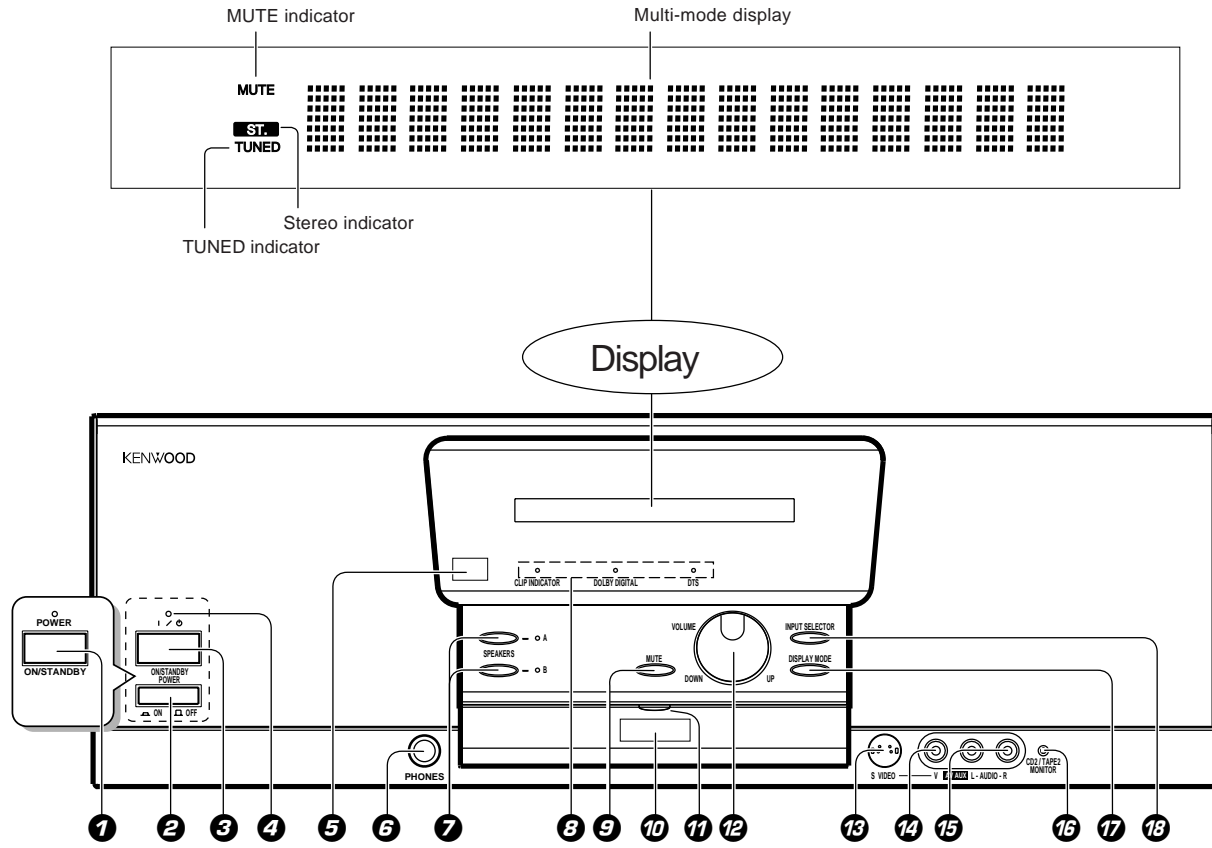
- ❶ With the power cord plugged in, turn the POWER key OFF.
- ❷ While holding down the ON/STANDBY key, press POWER key.

Memory backup function

Please note that the following items will be deleted from this unit's memory if the power cord is disconnected from the AC outlet for approximately three days.

- The input selection is cleared and the "Tuner" input is selected.
- The volume setting is cleared and the volume is set to "-66 dB".
- The receiving band setting is cleared and the "FM" band is selected.
- The frequency setting is cleared and 87.5 MHz is selected.
- The preset station memory is cleared.
- The surround setting is cleared and reset to the initial condition.

CONTROLS



1 POWER key

(U.S.A., U.S.Military and Canada)
Press to switch power ON and OFF.

2 POWER key

(Except for U.S.A., U.S.Military and Canada)
(China : ① POWER)
Press to switch the main power ON and OFF.

3 ON/STANDBY key

(Except for U.S.A., U.S.Military and Canada)
Press to switch the power mode between STANDBY and ON.

4 STANDBY indicator

Lights in STANDBY mode.

5 RC sensor

Receives signals transmitted from the remote control unit.

6 PHONES jack

Use for listening audio through headphones.

7 SPEAKERS keys

Press each key to switch the SPEAKERS A or SPEAKERS B ON and OFF.

8 Indicators

CLIP INDICATOR :

Lights when the input is clipped during analog to digital signal conversion.

DOLBY DIGITAL :

Lights when Dolby Digital is activated.

DTS :

Lights when the DTS is activated.

9 MUTE key

Press to mute the audio temporarily.

10 RC transmitter

Sends signals to the remote control unit.

11 Indicator

Lights when signal is input from or output to the remote control unit.

12 VOLUME control knob

Rotate to adjust the volume.

13 S VIDEO input jack

(Except for the VR-2080 or the KRF-V7771D for the U.S. Military destination)
Connect the S VIDEO output jack of an AV component.

14 VIDEO input jack

Connect the composite video output (RCA) jack of an AV component.

15 AUDIO (L, R) input jacks

Connect the audio output (RCA) jacks of an AV component.

16 CD2/TAPE2 MONITOR indicator

Lights when the CD2/Tape2 (Monitor) input is used.

17 DISPLAY MODE key

Press to switch the display on the main unit.

18 INPUT SELECTOR key

Press to switch the input as shown below.
TUNER
CD1
MD/Tape1
VIDEO1
VIDEO2
VIDEO3
VIDEO4
AV AUX
PHONO

STANDBY indication

While standby indicator is indicated, a small amount of power is supplied to the system to back up the memory. In this mode, the system can be turned ON by remote control.

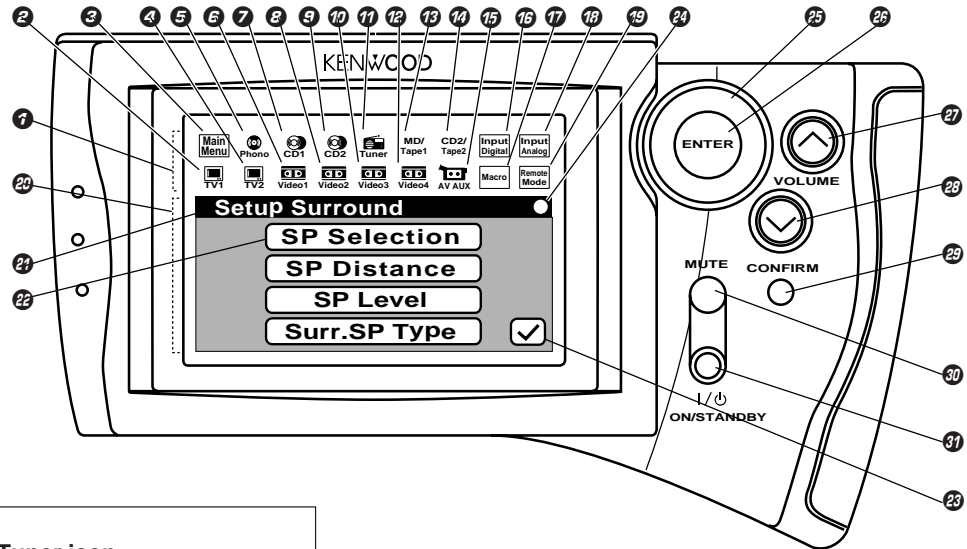
CONTROLS

Controls and indicators

The Remote Control unit provided with the Receiver can also control KENWOOD MD recorder, cassette decks, CD player, DVD player and LD player which are connected to it through system control cords. For details of the controllable functions, refer to the instruction manuals of these components.

RC : Infrared system

Perform "Model Type Setup" of the RC before using it. The following menu display appears after the batteries are loaded for the first time.



Segment screen

- 1 Segment screen**
The fixed icons are displayed in this area.
- 2 TV1 icon**
Select to display the TV1 control screen.
- 3 Main Menu icon**
Select to display the Main Menu screen.
- 4 TV2 icon**
Select to display the TV2 control screen.
- 5 Phono icon**
Select to select the PHONO input.
- 6 Video1 icon**
Select to control Video1.
- 7 CD1 icon**
Select to control CD1.
- 8 Video2 icon**
Select to control Video2.
- 9 CD2 icon**
Select to control CD2. (Room B only)
- 10 Video3 icon**
Select to control Video3.
- 11 Tuner icon**
Select to control Tuner.
- 12 Video4 icon**
Select to control Video4.
- 13 MD/Tape1 icon**
Select to control MD or Tape1.
- 14 CD2/Tape2 icon**
Select to monitor the CD2/Tape2 input. (Room A only)
- 15 AV AUX icon**
Select to select the AV AUX input.
- 16 Input Digital icon**
Select to play a digital input or to switch between Auto and Manual.
- 17 Macro icon**
Select to control Macro.
- 18 Input Analog icon**
Select to play an analog input.
- 19 Remote Mode icon**
Select to switch the remote control operation mode without changing the selected input.

The displayed icons are variable depending of the "Model Type Setup" for matching specifications with the Receiver which uses the RC unit and "Setup" for matching specifications with connected source component.

Menu screen

- 20 Menu screen**
Control key icons and control levels are displayed in this area.
- 21 Status display**
The example in the illustration shows the "Setup Surround" status.
- 22 SP Selection icon**
Select to set up the speakers.
- 23 Return icon**
Select to return to the previous menu screen.
- 24 Status display**
Shows the communication status.

Operation keys

- 25 Joy stick key**
This key is used to select an icon. This key can be controlled in 4 directions.
- 26 ENTER key**
Press to enter the selection of an icon.
- 27 VOLUME (up) control key**
Press to increase the volume.
- 28 VOLUME (down) control key**
Press to decrease the volume.
- 29 CONFIRM key**
Press to select the currently displayed items.
- 30 MUTE key**
Press to mute the audio temporarily.
- 31 I/ON (ON/STANDBY) key**
Press to turn this unit and the components connected to it through system cords between ON and STANDBY modes.

DISASSEMBLY FOR REPAIR

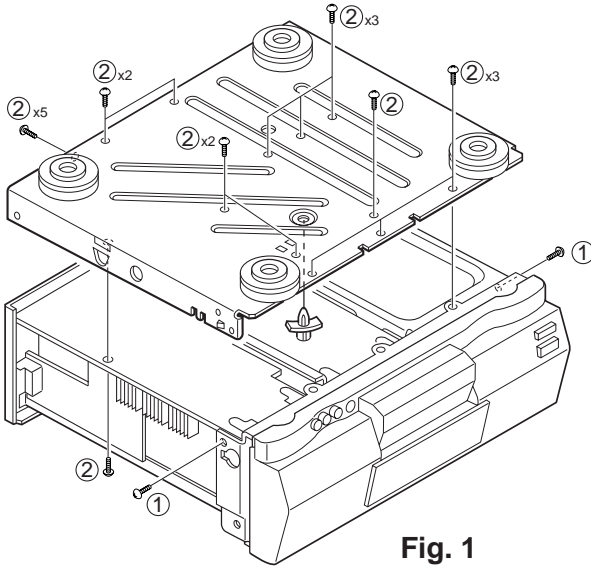


Fig. 1

[Remove the bottom plate.]

Make use of the changing final transistor etc.

1. Remove the 19 screws (①, ②) and PCB support, then remove the bottom plate.

[Check the vertical PCB]

1. (Exist bottom plate) Remove the hook of rear panel(①).
2. Remove the 29(Exist bottom plate: 34) screws(②), then remove the rear panel.
3. Connect the GND of the phono terminal, the GND of antenna shield board, the GND of system control shield board, the GND of SP terminal shield board and the chassis with 5 wires connected alligator chips(③).

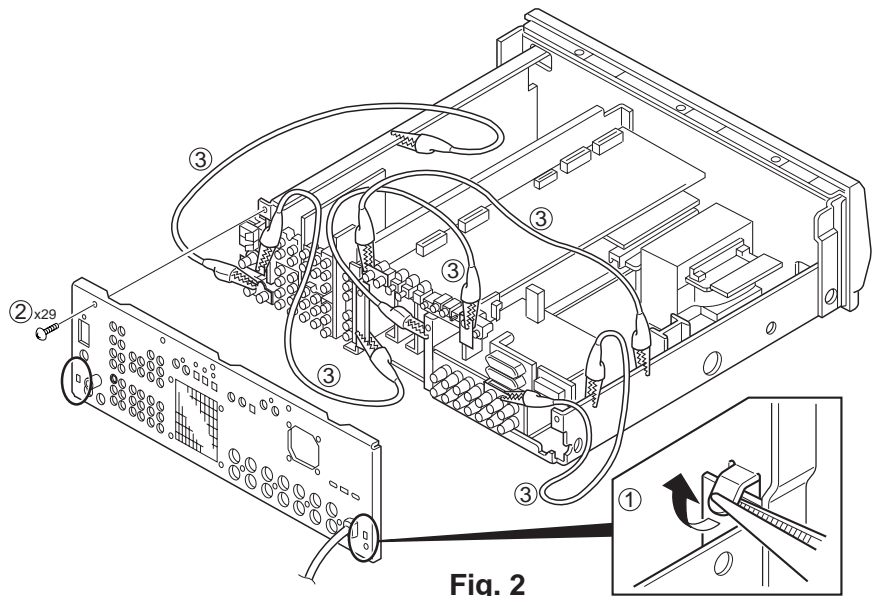


Fig. 2

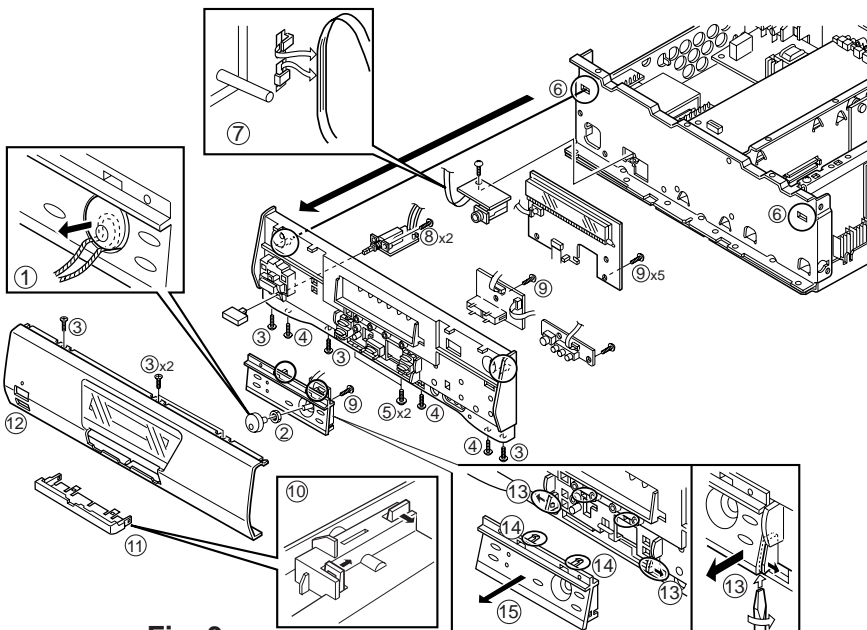


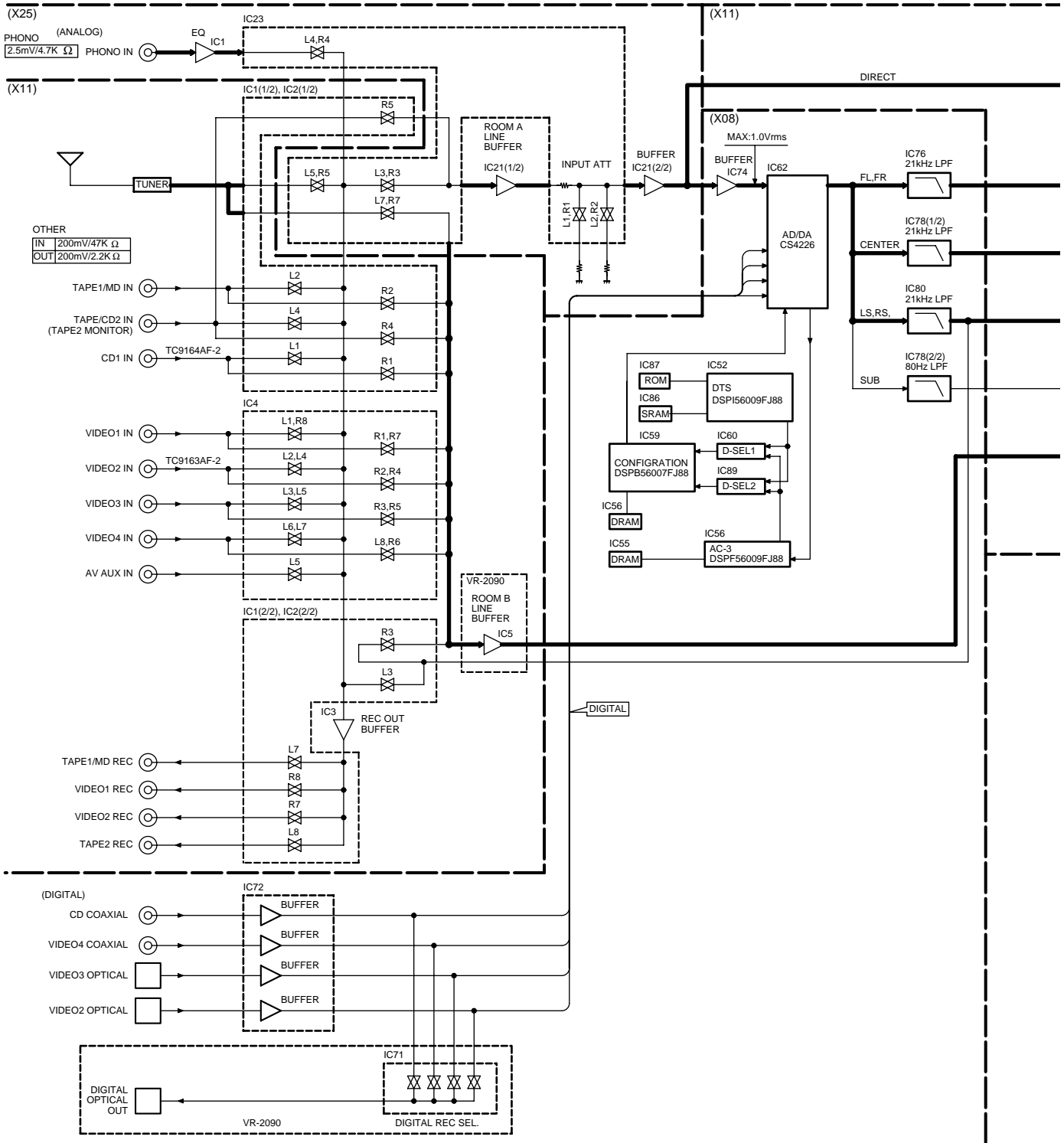
Fig. 3

[Remove the escutcheon (operation panel)]

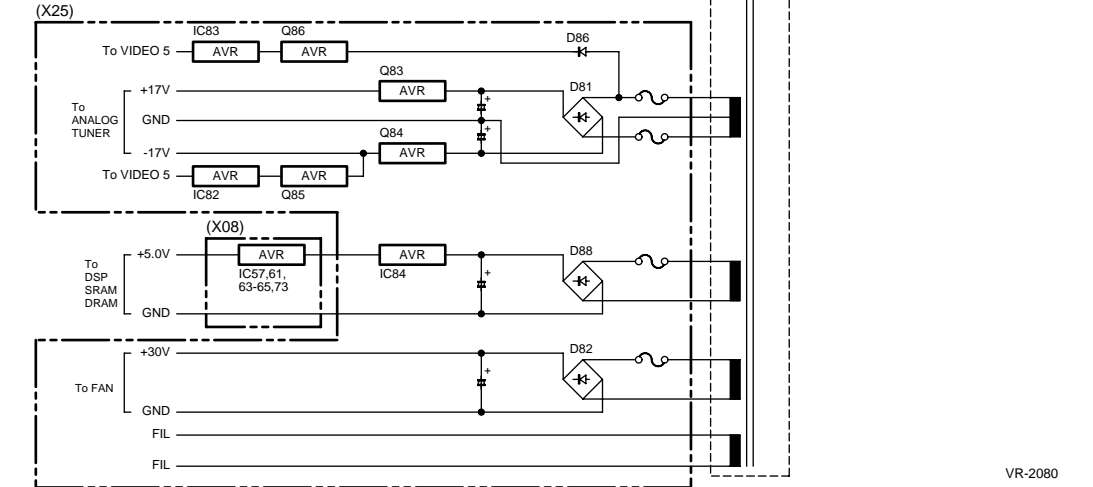
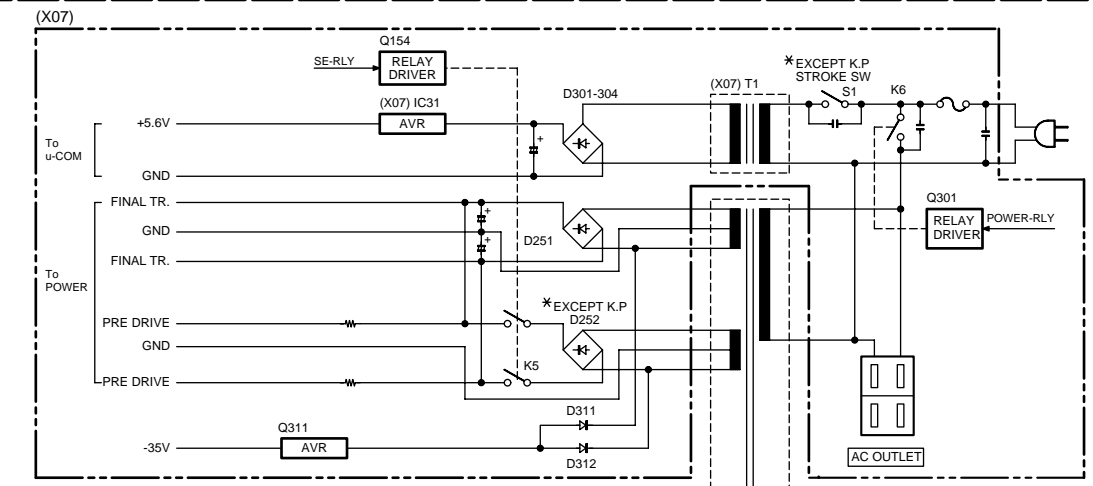
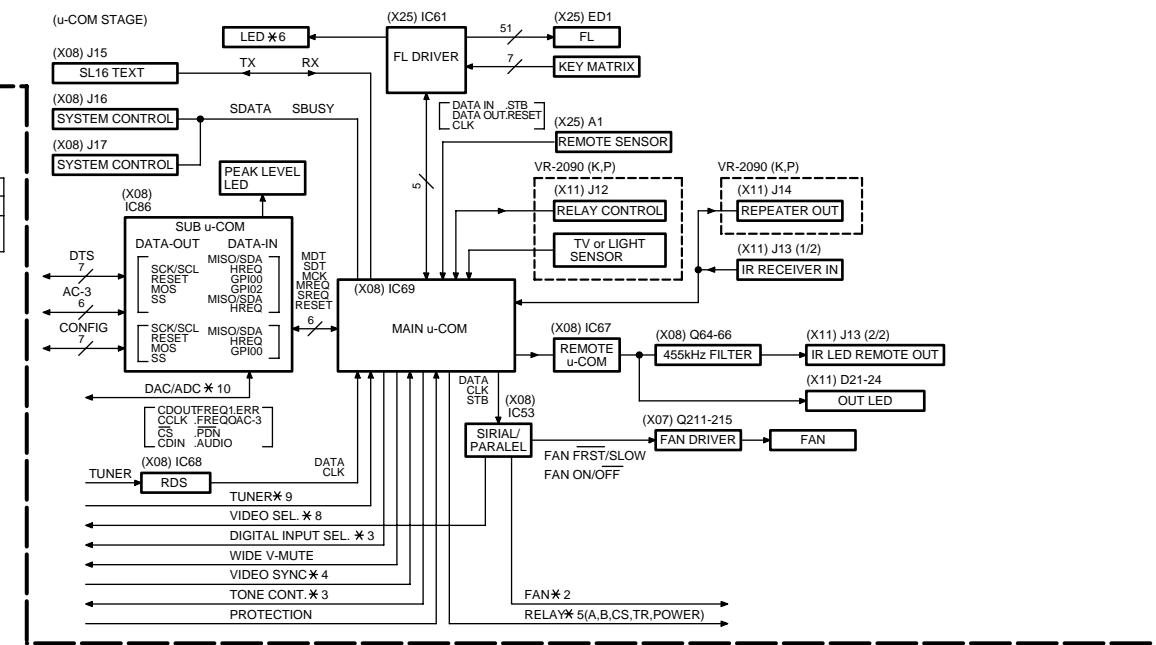
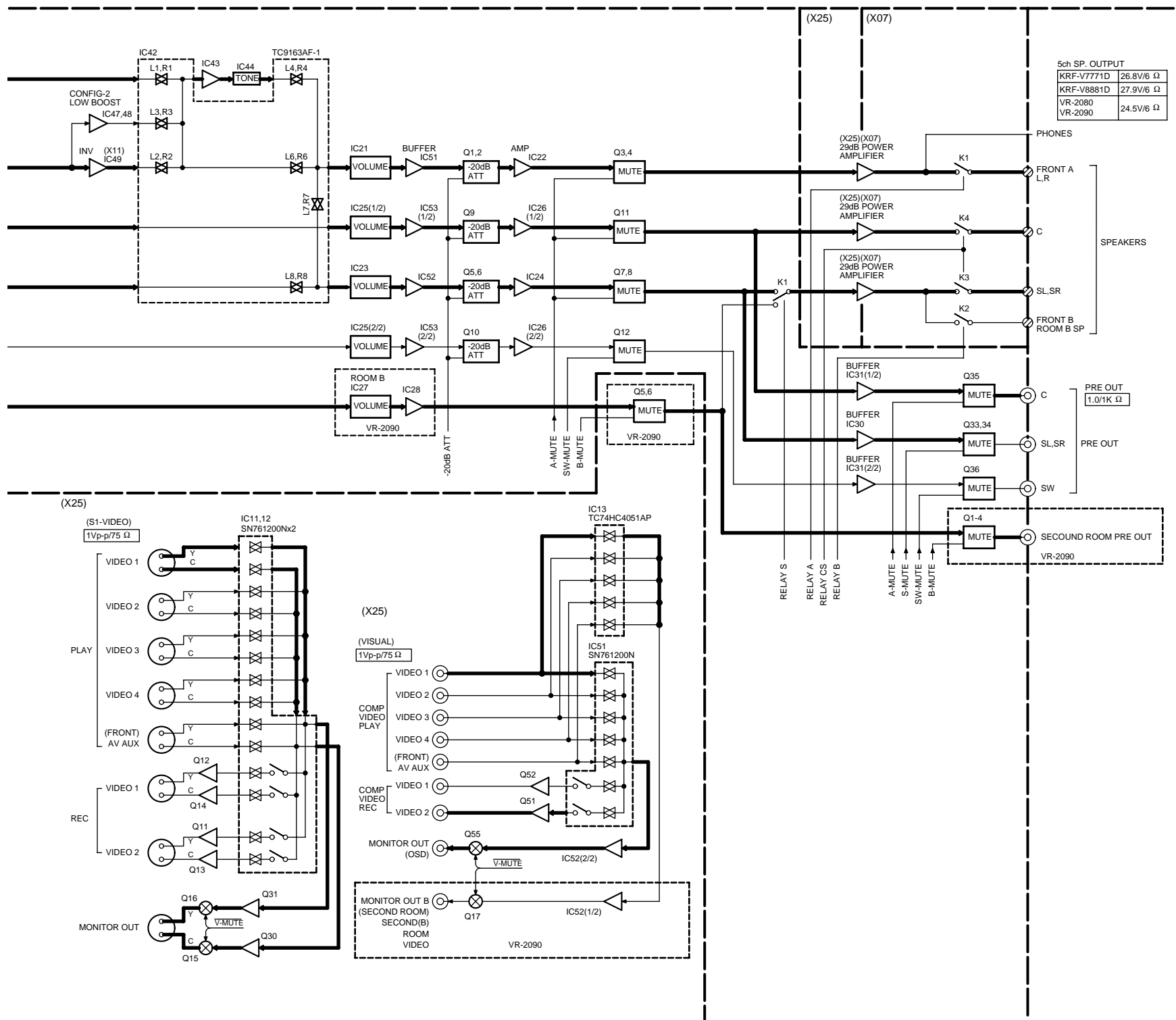
1. Remove the knob(①), the nut (②), the 11 screws(③, ④, ⑤) and 2 hooks (⑥), then remove the front panel ass'y.
2. Remove the lead wire(⑦), the 2 screws(⑧ : except K,P type) and 7 screws(⑨) then remove the PCB.
3. Remove the under front glass(⑩, ⑪), then remove the front panel(⑫) from the sub panel.
4. Remove the 2 under escutcheon sides(⑬) by \ominus screw driver and the 2 hooks(⑭) then remove the escutcheon(⑮).

BLOCK DIAGRAM

(SIGNAL STAGE)



BLOCK DIAGRAM



CIRCUIT DESCRIPTION

1. The back up item and initialization condition

1-1 Back up

- POWER ON/OFF : OFF
- VOLUME LEVEL : -66dB
- AUDIO INPUT • SELECTOR : TUNER
- VIDEO INPUT • SELECTOR : VIDEO1
- SPEAKER A : ON
- SPEAKER B : OFF
- CD2/TAPE2 MONITOR : TAPE2 OFF
- TONE : OFF
- LOUDNESS : OFF
- DISPLAY MODE : DEVICE+DGTL/ANLG
- RDS DISPLAY MODE : FREQUENCY
- DIMMER : DIMMER 1 (LIGHTTEST)
- SURROUND MODE : STEREO
- DSP MODE : ARENA
- ROOM SIZE : Med
- WALL TYPE : Med
- EFFECT LEVEL : 3
- MIDNIGHT MODE : OFF
- DISTANCE : FL/FR : 10ft
: C : 10ft
: RS/LS : 5ft
: SW : 10ft
- FRONT SP. : LARGE
- CENTER SP. : NORMAL
- SURROUND SP. : NORMAL/WIRED
- SUB WOOFER : ON
- SW Re-Mix : OFF
- INPUT LEVEL : 0dB
- CH. LEVEL : 0dB
- TONE BASS : 0dB
- TONE TREBLE : 0dB
- TUNING MODE : AUTO
- PRESET MEMORY : TEST MEMORY FRE-
QUENCY (Same value with KR-V999D/1090VR)
- LAST BAND : FM
- FM LAST FREQUENCY : 87.5MHz
- AM LAST FREQUENCY : 531kHz (CH. SP 9kHz)
: 530kHz (CH. SP 10kHz)
- LAST P. ch : [- ch]
- PTY SELECT MODE : OFF
- PTY SEARCH MODE : OFF
- TP SEARCH MODE : OFF
- RDS DISPLAY MODE : FREQUENCY MODE

1-2 The initial setting

While pressing POWER key, plug the AC power cord into an AC outlet (K,P type) or turn on the AC POWER switch.

2. Condition by the destination or model

(0 : Pull down, 1 : Pull up)

TYPE	BAND	Reception frequency	Channel space	IF	PLL standard frequency	Diode sw			
						(77) DSW3	(76) DSW2	(75) DSW1	(74) DSW0
K1 1700	FM	87.5MHz~108.0MHz	100kHz	+10.7MHz	25kHz	0	0	0	0
	AM	530kHz~1700kHz	10kHz	+450kHz	10kHz				
K2 1610	FM	87.5MHz~108.0MHz	100kHz	+10.7MHz	25kHz	0	0	0	1
	AM	530kHz~1610kHz	10kHz	+450kHz	10kHz				
K4 1700 RBDS	FM	87.5MHz~108.0MHz	100kHz	+10.7MHz	25kHz	1	0	1	0
	AM	530kHz~1700kHz	10kHz	+450kHz	10kHz				
E1	FM	87.5MHz~108.0MHz	50kHz	+10.7MHz	25kHz	0	0	1	1
	AM	531kHz~1602kHz	9kHz	+450kHz	9kHz				
E3 RDS	FM	87.5MHz~108.0MHz	50kHz	+10.7MHz	25kHz	0	1	0	1
	AM	531kHz~1602kHz	9kHz	+450kHz	9kHz				
Q1 RDS	FML	65.0MHz~74.0MHz	10kHz	+10.7MHz	5kHz	1	0	1	1
	FMH	87.5MHz~108.0MHz	50kHz	+10.7MHz	5kHz				
	AM	531kHz~1602kHz	9kHz	+450kHz	9kHz				
M	K2/E1 is switched with only the setting of DSW1 (X11 : S601). (DSW1 = 0 : K2 type, 1 : E1 type)					0	0	X	1

3. TEST MODE

[setting method]

While pressing INPUT SELECTOR key, plug the AC power cord into an AC outlet (K, P type) or turn on the AC POWER switch. When a set is set up in test mode condition a set becomes the following condition.
Automatic POWER ON. All indicator tube (FL) and

CLIP INDICATOR LED are lighted. The other LED are flashed.

A backup at the thing except ON/OFF of POWER is initialized.

[cancel method]

The power supply is turned off.

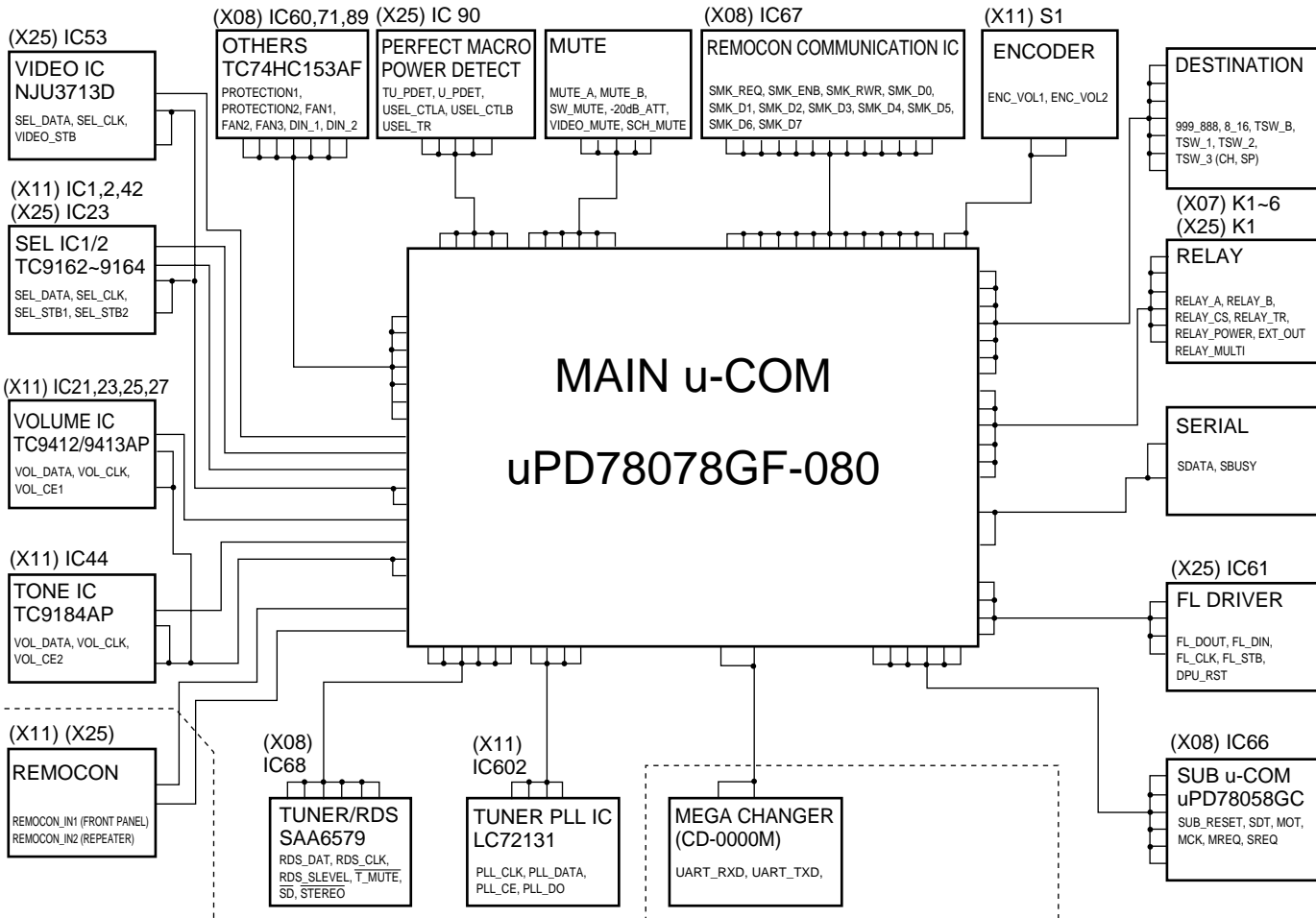
CIRCUIT DESCRIPTION

Push key	INPUT SELECTOR	SP A	SP B	MUTE	DISPLAY MODE	
DISPLAY	TUNER	STEREO	P. CALL ↑ UP	P. CALL ↓ DOWN	ATT → OFF → ON → FM	AUTO/STEREO ↔ MANUAL/MONO (DOLBY DIGITAL LED : OFF ↔ ON)
	CD1	STEREO				TONE (TUNED) +10 (light on) ↔ OFF (light off)
	MD/TAPE1	STEREO				
	VIDEO1	PRO LOGIC				
	VIDEO2	3 STEREO				
	VIDEO3	STEREO				
	VIDEO4	DSP				ARENA → JAZZ CLUB THEATER STADIUM ↑ CATHEDRAL ↓
	AV AUX	STEREO				TAPE2 OFF ↔ ON
PHONO	STEREO				INPUT LEVEL → 0dB → -3dB → -6dB	

(Press the key for 2 secs)
ANALOG → DIGITAL
IR RECEIVER A(ON) → OFF

4. Main microprocessor uPD78078GF-080 (X08 : IC69)

4-1 Microprocessor periphery block diagram



CIRCUIT DESCRIPTION

4-2 Pin description

Pin No.	Pin Name	I/O	Connect	Description
1	VOL_STB	O	PD	VOLUME IC \overline{CE} (TC9412AP/TC9413AP)
2	VOL_CLK	O	PD	VOLUME IC CLOCK (TC9412AP/TC9413AP) TONE IC CLOCK (TC9184AP)
3	VOL_DATA	O	PD	VOLUME IC DATA (TC9412AP/TC9413AP) TONE IC DATA (TC9184AP)
4	SEL_STB1	O	PD	ANALOG SW. STROBE (NJU731x)
5	SEL_STB2	O	PD	ANALOG SW. STROBE (NJU7311-NJU7313)
6	VIDEO_STB	O	PD	VIDEO IC STROBE (NJU3713)
7	SEL_CLK	O	PD	ANALOG SW. CLOCK (NJU7311-NJU7313) VIDEO IC CLOCK (NJU3713D)
8	SEL_DATA	O	PD	ANALOG SW. DATA (NJU7311-NJU7313) VIDEO IC DATA (NJU3713D)
9	-	-	PD	NO USED
10, 11	X2, 1	-	-	MAIN CLOCK 4.19MHz (CERAMICS)
12	Vdd	-	+5V	+5V
13, 14	XT2, 1	-	OPEN	NO USED
15	\overline{RESET}	I	VDD	uCOM RESET
16	REMOCON_IN1	I	-	FRONT PANEL REMOCON
17	REMOCON_IN2	I	-	EXTERNAL REMOCON
18	RDS_DATA	I	PD	RDS DATA (SAA6579)
19	RDS_CLK	I	PD	RDS CLOCK (SAA6579)
20, 21	NC	I	PD	NO USED
22	\overline{CE}	I	-	BACK UP CE
23	AVdd	-	VDD	+5V
24	AVrefo	I	VDD	A/D POWER SUPPLY
25	RDS_SLEVEL	I	PD	RDS SLEVEL (SAA6579)
26	$\overline{T_MUTE}$	O	PD	TUNER MUTE
27	PLL_CLK	O	PD	PLL IC CLOCK (LC73131)
28	PLL_DATA	O	PD	PLL IC DATA (LC72131)
29	PLL_CE	O	PD	PLL IC CE (LC72131)
30	\overline{SD}	I	PU	SD INPUT
31	\overline{STEREO}	I	PU	STEREO INPUT
32	PLL_DO	I	PD	PLL IC LC72131 DO (LC72131)
33	AVss	-	VSS	GND
34	SUB_RESET	O	PD	SUB uCOM RESET (uPD78058GC-A74)
35	V_PDET	I	PU	PERFECT MACRO VIDEO POWER DETECT
36	AVref1	I	VDD	+5V
37	UART_RXD	I	PD	MEGA CHANGER CD DATA RECEIVE POWER LINE REMOCON CODE RECEIVE
38	UART_TXD	O	PD	MEGA CHANGER CD DATA TRANSMIT POWER LINE REMOCON CODE TRANSMIT
39	VSEL_TR	O	PD	PERFECT MACRO VIDEO SELECTOR POWER SUPPLY SW. Tr
40	Vss	-	GND	GND
41	SDT	I	PD	uCOM-uCOM COMMUNICATION SLAVE DATA (uPD78058GC-A74)
42	MDT	O	PD	uCOM-uCOM COMMUNICATION MASTER DATA (uPD78058GC-A74)
43	MCK	O	PD	uCOM-uCOM COMMUNICATION MASTER CLOCK (uPD78058GC-A74)
44	MREQ	O	PD	uCOM-uCOM COMMUNICATION MASTER REQUEST (uPD78058GC-A74)

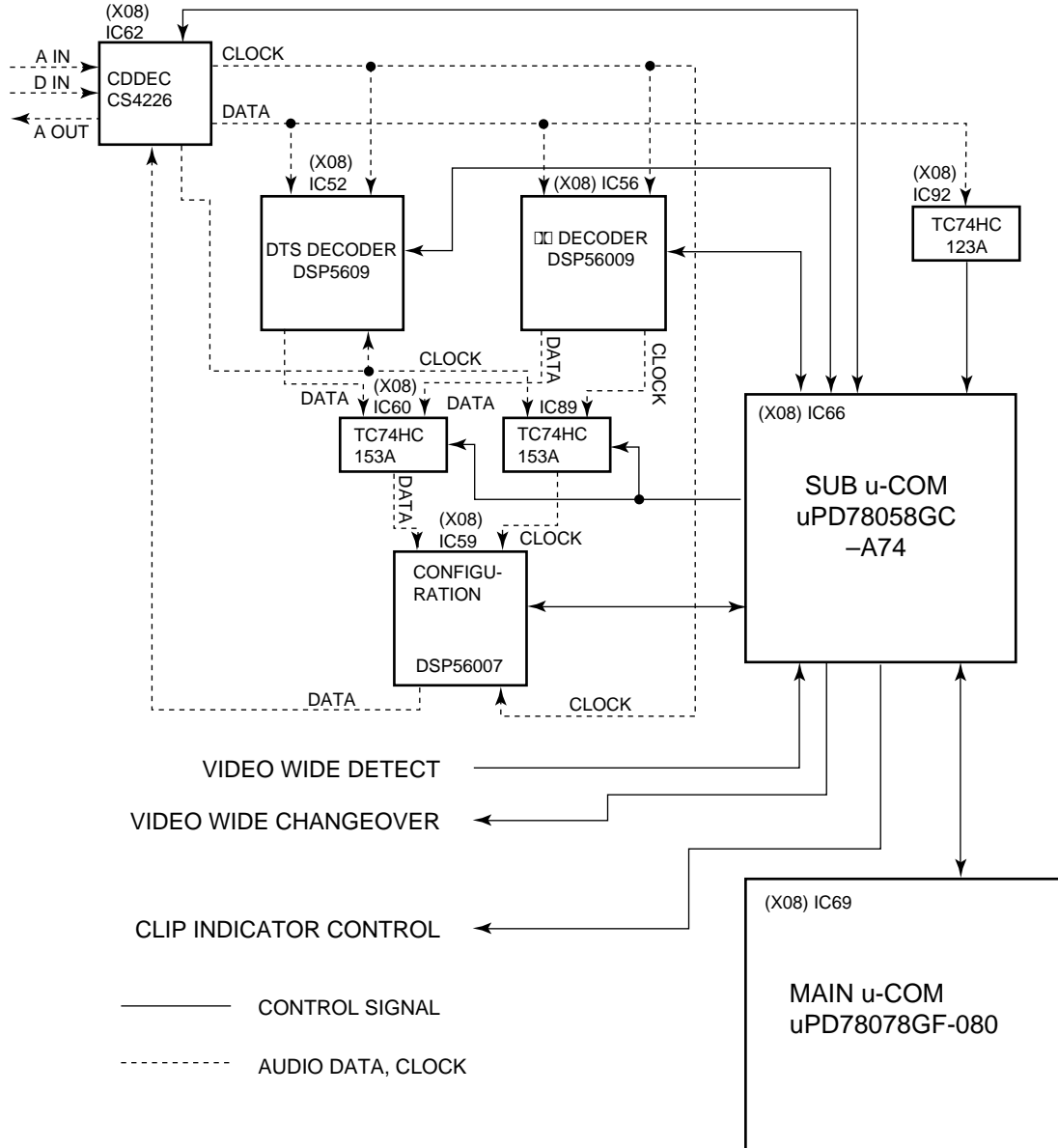
CIRCUIT DESCRIPTION

Pin No.	Pin Name	I/O	Connect	Description
45	SREQ	I	PD	uCOM-uCOM COMMUNICATION SLAVE REQUEST (uPD78058GC-A74)
46	FL_DOUT	I	PD	FL DRIVER DATA IN
47	FL_DIN	O	PD	FL DRIVER DATA OUT
48	FL_CLK	O	PD	FL DRIVER CLOCK
49	FL_STB	O	PD	FL DRIVER STROBE
50	VSEL_CTLA	O	PD	PERFECT MACRO VIDEO SELECTOR CONTROL A
51	VSEL_CTLB	O	PD	PERFECT MACRO VIDEO SELECTOR CONTROL B
52	FAN_1	I	PD	FAN DETECT 1
53	FAN_2	I	PD	FAN DETECT 2
54	FAN_3	I	PD	FAN DETECT 3
55	SDATA	I/O	-	SERIAL DATA
56	SBUSY	I/O	-	SERIAL BUSY
57	RELAY_A	O	PD	SPEAKER A RELAY
58	RELAY_B	O	PD	SPEAKER B RELAY
59	RELAY_CS	O	PD	CENTER/SURROUND SPEAKER RELAY
60	RELAY_TR	O	PD	TRANS RELAY
61	RELAY_POWER	O	PD	POWER RELAY
62	EXT_OUT	O	PD	EXTERNAL OUT
63	NC	O	PD	NO USED
64	DRV_RST	O	PD	FL DRIVER RESET
65	TV_PDET	I	PD	PERFECT MACRO TV POWER DETECT
66	999_888	I	-	TYPE SELECT H : VR-2090 L : VR-2080
67	8_16	I	-	SERIAL SELECT L : SERIAL 16bit H : SERIAL 8bit
68, 69	ENC_VOL2, 1	I	PD	VOLUME ENCODER IN
70	PROTECTION1	I	PD	PROTECT DETECT
71	Vss	-	GND	GND
72	PROTECTION2	I	PD	PROTECT DETECT
73	NC	I	PD	NO USED
74~76	TSW_0~2	I	-	TUNER SIMUKE SWITCH 0~2
77	TSW_3 (CH. SP)	I	PD	TUNER SIMUKE SWITCH 3 (CHANNEL SPACE)
78	NC	I	-	NO USED
79	RELAY_MULTI	O	PD	SP B SIGNAL OUTPUT ROOM A : L ROOM B : H
80, 81	DIN_1, 2	O	PD	DIGITAL REC SELECT (TC74HC153AF)
82	DIN_STB	O	PD	DIGITAL REC SELECT STROBE (TC74HC153AF)
83	SMK_REQ	O	PD	REMOCON DATA TRANSMIT IC REQ
84	SMK_ENB	I	PD	REMOCON DATA TRANSMIT IC ENB
85	SMK_RWR	I	PD	REMOCON DATA TRANSMIT IC RWR
86~93	SMK_D0~D7	O	PD	REMOCON DATA TRANSMIT IC D0~D7
94	MUTE_A	O	PU	ROOM A MUTE
95	MUTE_B	O	PU	ROOM B MUTE
96	SW_MUTE	O	PU	SWch MUTE
97	-20dB_ATT	O	PU	-20dB ATTENUATER
98	VIDEO_MUTE	O	PD	VIDEO MUTE
99	SCH_MUTE	O	PD	Sch MUTE
100	TONE_STB	O	PD	TONE IC CE (TC9184AP)

CIRCUIT DESCRIPTION

6. Sub microprocessor uPD78058GC-A74 (X08 : IC66)

6-1 Microprocessor periphery block diagram



CIRCUIT DESCRIPTION

6-2 Pin description

Pin No.	Pin Name	I/O	Connect	Description																																																		
1	DSP1_RESET	O	P. D.	DSP IC1 (AC-3) RESET																																																		
2	DSP3_SS	O	P. U.	DSP IC3 (THX) SLAVE SELECT																																																		
3	DSP3_HREQ	I	P. D.	DSP IC3 (THX) HOST REQUEST																																																		
4	–	–	GND	–																																																		
5	DSP3_RESET	O	P. D.	DSP IC3 (THX) RESET																																																		
6	N. C.	I	P. D.	–																																																		
7	AVref1	–	+5V	–																																																		
8	DSP3_MI	I	P. D.	DSP IC3 (THX) MASTER IN SLAVE OUT																																																		
9	DSP3_MO	O	P. D.	DSP IC3 (THX) MASTER OUT SLAVE IN																																																		
10	DSP3_CK	O	P. D.	DSP IC3 (THX) CLOCK																																																		
11	MDT	I	P. D.	Microprocessor communication MASTER DATA																																																		
12	SDT	O	P. D.	Microprocessor communication SLAVE DATA																																																		
13	MCK	I	P. D.	Microprocessor communication MASTER CLOCK																																																		
14	MREQ	I	P. D.	Microprocessor communication MASTER REQUEST																																																		
15	SREQ	O	P. D.	Microprocessor communication SLAVE REQUEST																																																		
16	DSP1_MI/DSP2_MI	I	P. D.	DSP IC1, 2 (AC-3, DTS) MASTER IN																																																		
17	DSP1_MO/DSP2_MO	O	P. D.	DSP IC1, 2 (AC-3, DTS) MASTER OUT																																																		
18	DSP1_CK_DSP2_CK	O	P. D.	DSP IC1, 2 (AC-3, DTS) CLOCK																																																		
19~21	NO_MUTE_TIME0~2	I	P. U.	PCM NONE INPUT UNMUTE HOLD TIME SETTING <table border="1"> <thead> <tr> <th>pin</th> <th>19</th> <th>20</th> <th>21</th> <th>TIME(s)</th> <th>pin</th> <th>19</th> <th>20</th> <th>21</th> <th>TIME(s)</th> </tr> </thead> <tbody> <tr> <td></td> <td>L</td> <td>L</td> <td>L</td> <td>0</td> <td></td> <td>H</td> <td>L</td> <td>L</td> <td>4</td> </tr> <tr> <td></td> <td>L</td> <td>L</td> <td>H</td> <td>1</td> <td></td> <td>H</td> <td>L</td> <td>H</td> <td>5</td> </tr> <tr> <td></td> <td>L</td> <td>H</td> <td>L</td> <td>2</td> <td></td> <td>H</td> <td>H</td> <td>L</td> <td>6</td> </tr> <tr> <td></td> <td>L</td> <td>H</td> <td>H</td> <td>3</td> <td></td> <td>H</td> <td>H</td> <td>H</td> <td>5</td> </tr> </tbody> </table>	pin	19	20	21	TIME(s)	pin	19	20	21	TIME(s)		L	L	L	0		H	L	L	4		L	L	H	1		H	L	H	5		L	H	L	2		H	H	L	6		L	H	H	3		H	H	H	5
pin	19	20	21	TIME(s)	pin	19	20	21	TIME(s)																																													
	L	L	L	0		H	L	L	4																																													
	L	L	H	1		H	L	H	5																																													
	L	H	L	2		H	H	L	6																																													
	L	H	H	3		H	H	H	5																																													
22~26	N. C.	I	P. U.	–																																																		
27	PEAK_LEVEL	O	P. D.	CLIP INDICATOR LED CONTROL																																																		
28	WIDE_0	O	P. D.	S-VIDEO WIDE/NORMAL CHANGEOVER CONTROL (MONITOR OUT)																																																		
29~32	WIDE_I0~I3	I	P. D.	S-VIDEO WIDE/NORMAL DETECT0 (VIDEO4~1)																																																		
33	Vss	–	GND	–																																																		
34	WIDE_I4	I	P. D.	S-VIDEO WIDE/NORMAL DETECT4 (AV AUX)																																																		
35~40	N. C.	I	P. D.	–																																																		
41	DSP_SEL_DISABLE	O	P. D.	DSP SELECTOR OUTPUT DISABLE (mute)																																																		
42	N. C.	I	P. D.	–																																																		
43	SEL_ANALOG	O	P. D.	INPUT DIGITAL/ANALOG DISTINCTION analog: L, digital: H																																																		
44~46	N. C.	I	P. D.	–																																																		
47	SUB_MUTE	O	P. D.	SUB MUTE CONTROL																																																		
48	N. C.	I	P. D.	–																																																		
49	2090/2080	I	P. D.	2090/2080 MODEL DISTINCTION																																																		
50	DSP_SEL1	O	P. D.	DSP SELECTOR TC74HC CHANGEOVER H: DTS, L: DOLBY																																																		
51	DSP_SEL2	O	P. D.	DSP SELECTOR TC74HC CHANGEOVER H: DTS, L: DOLBY																																																		
52	CS_OVL/ERR	I	P. D.	CODEC OVER LEVEL/ERROR																																																		
53	CS_PDN	O	P. D.	CODEC POWER DOWN																																																		
54	CS_FREQ1	I	P. D.	CODEC FS CHECK1																																																		
55	CS_FREQ0	I	P. D.	CODEC FS CHECK0																																																		
56	CS_CDIN	O	P. D.	CODEC DATA OUT																																																		
57	CS_CS	O	P. D.	CODEC CHIP SELECT																																																		
58	CS_CCLK	O	P. D.	CODEC CLOCK																																																		
59	CS_CDOUT	I	P. D.	CODEC DATA IN																																																		
60	RESET	I	–	RESET																																																		
61	CS_AUDIO	I	P. D.	CODEC AUDIO/NON-AUDIO DETECT H: DATA, L: PCM																																																		
62	CS_AC3	I	P. D.	CODEC AC-3 H: AC-3 DETECT																																																		
63	DSP2_DTS_DTCT	I	P. D.	DSP IC2 (DTS) DTS DETECT H: DTS DETECT																																																		

CIRCUIT DESCRIPTION

Pin No.	Pin Name	I/O	Connect	Description
64	DSP1_GPI0	O	P. D.	DSP IC1 (AC-3) DSP MODE USE SETTING PARAMETER
65	DATA_IN	I	P. D.	DIR OUTPUT DETECT H: DIGITAL DATA IN
66	N. C.	I	P. D.	–
67	N. C.	I	P. D.	–
68	Vdd	–	+5V	
69, 70	X2, 1	–	–	CLOCK OSCILLATOR 4.23MHz
71	IC (Vpp)	–	GND	–
72	N. C.	–	OPEN	–
73	P07	–	–	–
74	AVdd	–	+5V	–
75	AVrefo	–	GND	–
76	DSP2_HREQ	I	P. D.	DSP IC2 (DTS) HOST REQUEST
77	DSP2_SS	O	P. U.	DSP IC2 (DTS) SLAVE SELECT
78	DSP2_RESET	O	P. D.	DSP IC2 (DTS) RESET
79	DSP1_HREQ	I	P. D.	DSP IC1 (AC-3) HOST REQUEST
80	DSP1_SS	O	P. U.	DSP IC1 (AC-3) SLAVE SELECT

6-3 DIR A/D & D/A CONVERTER (CODEC) CS4226KQC (X08 : IC62)

6-3-1 CODEC CS4226

Main pin description

Pin No.	Pin Name	Description
3	SCL/CCLK	Serial communication CLOCK
4	SDA/CDOUT	Serial data line CS4226 → SUB uCOM
5	ADI/CD IN	Serial data line SUB uCOM → CS4226
6	ACO/CS	CS4226 CHIP SELECT
7	SPI/I2C	Serial control format setting
8	PDN	Powerdown Pin
9	AIN3R/AUDIO	audio/non-audio detect
10	AIN3L/AUTODATA	Input C bit, V bit H : Signal of AC-3, MPEG, DTS
11	AIN2L/FREQ0	Channel Status Freq. Bit
12	AIN2R/FREQ1	Channel Status Freq. Bit
30	OVL/ERR	Input Analog : ADC clipping indicator Input Digital : D/PDIF error indicator

⑪⑫ FREQ0/FREQ1

	32kHz	44.1kHz	48kHz	Reserved
FREQ1	H	L	L	H
FREQ0	H	L	H	L

⑩ AC3

AC-3/MPEG Data Stream Input	Exist	None
AC3, MPEG, DTS	1	0

③⑩ CLIP INDICATOR (X25 : D66) CONTROL

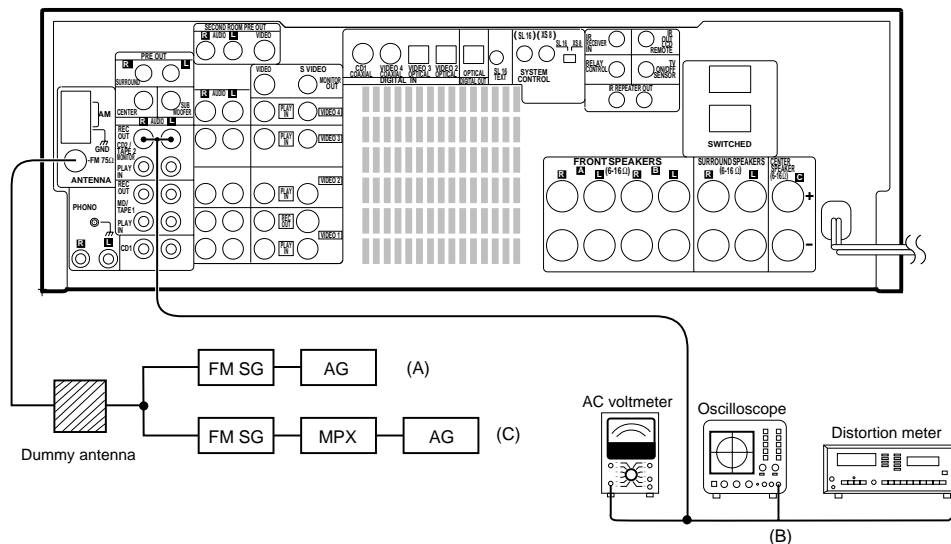
	IC62 (CODEC)	IC66 (Sub u-COM)
INPUT SOURCE	③⑩ CS_OVL_ERR	②⑦ PEAK_LEVEL OUTPUT
DIGITAL	don't care	L
ANALOG	L	L
	H	H

H : LED LIGHTING

ADJUSTMENT

No.	ITEM	INPUT SETTINGS	OUTPUT SETTINGS	RECEIVER SETTINGS	ALIGNMENT POINTS	ALIGN FOR	FIG.
FM SECTION : Except M type SELECTOR : FM *Adjust NO.1 and NO.2 repeat.							
1	DISCRIMINATOR	(A) 98.0MHz 1kHz, ±75kHz dev. 70dBf (ANT. input)	Connect a DC voltmeter between CN12 ① and CN12 ② (X11)	MONO 98.0MHz	L604 (X11)	0V	(a)
2	DISTORTION (MONO)	(A) 98.0MHz 1kHz, ±75kHz dev. MONO 70dBf (ANT. input)	(B)	MONO 98.0MHz	L605 (X11)	Minimum distortion	(a)
3	DISTORTION (STEREO)	(C) 98.0MHz 1kHz, ±67.5kHz dev. Selector : L or R Pilot : ±7.5kHz dev. 70dBf (ANT. input)	(B)	AUTO 98.0MHz	IFT(RF FRONTEND : A1)	Minimum distortion (L or R)	(a)
4	TUNING LEVEL	(A) 98.0MHz MONO 1kHz, ±75kHz dev. 15dBf (ANT. input)	(B)	MONO 98.0MHz	VR601 (X11)	Adjust VR601 and stop at the point where ED1 (TUNED) goes on.	(a)
FM SECTION :M type only SELECTOR : FM							
1	DISTORTION (STEREO)	(C) 98.0MHz 1kHz, ±67.5kHz dev. Selector : L or R,Pilot : ±7.5kHz dev. 70dBf (ANT. input)	(B)	AUTO 98.0MHz	IFT (TUNER UNIT : A601)	Minimum distortion (L or R)	(a)
2	TUNING LEVEL	(A) 98.0MHz MONO 1kHz, ±75kHz dev. 15dBf (ANT. input)	(B)	MONO 98.0MHz	VR601 (TUNER UNIT)	Adjust VR601 and stop at the point where ED1 (TUNED) goes on.	(a)

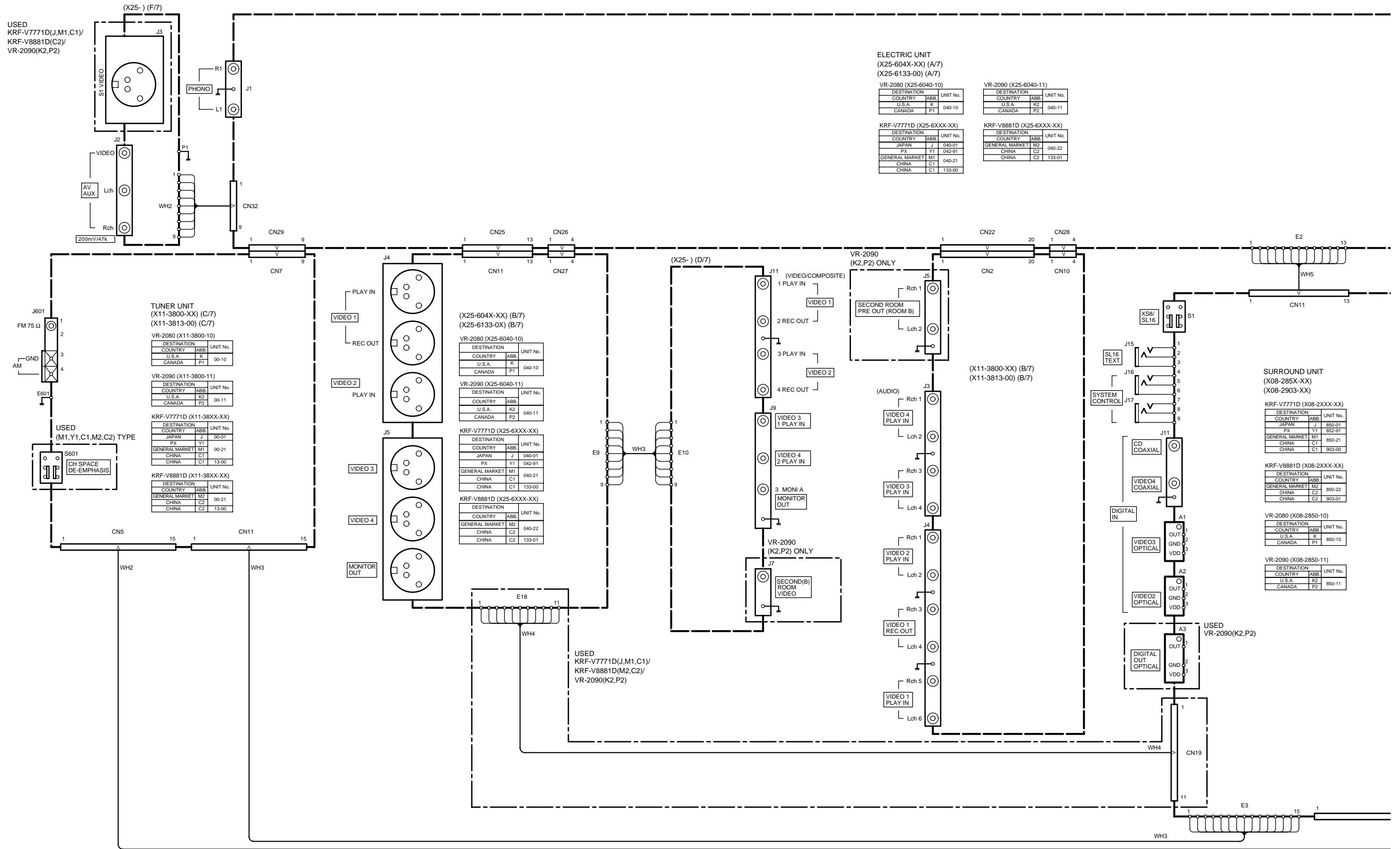
SYSTEM CONNECTIONS



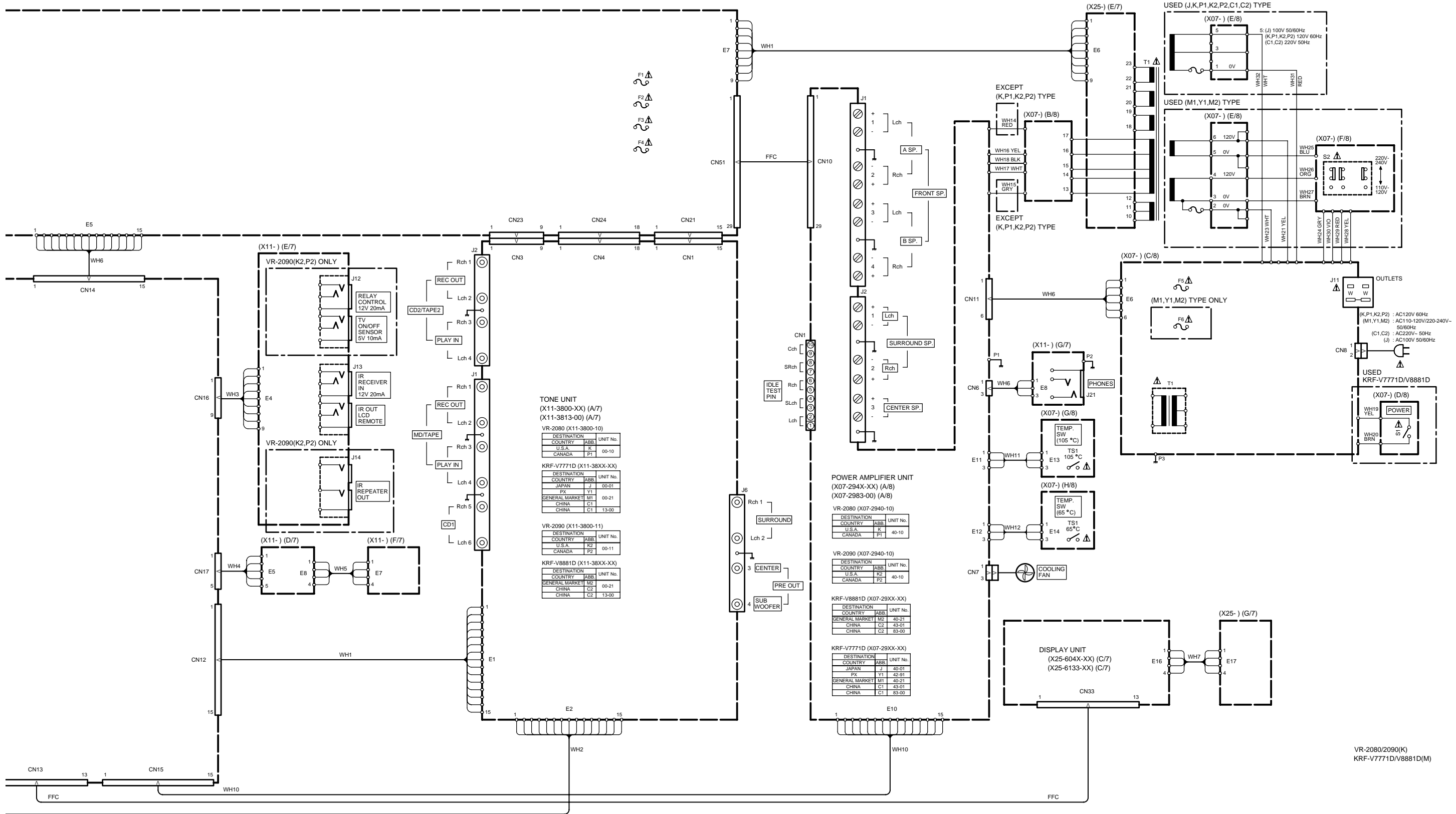
ADJUSTMENT

No.	ITEM	INPUT SETTINGS	OUTPUT SETTINGS	RECEIVER SETTINGS	ALIGNMENT POINTS	ALIGN FOR	FIG.
AUDIO SECTION		SPEAKER : A		PREOUT : OFF		PROLOGIC : ON	
<1>	IDLE CURRENT	—	Connect a DC voltmeter across CN1 (each port) 1, 2 pin : L 5, 6 pin : R 3, 4 pin : SL 7, 8 pin : SR 9, 10 pin : C	(FRONT 2ch MODE) Volume:0	VR1(L) VR2(R) VR3(SL) VR4(SR) VR5(CENTER) (X07-)	10mV	

WIRING DIAGRAM



WIRING DIAGRAM



TONE UNIT (X11-3800-XX) (A/7)
(X11-3813-00) (A/7)

DESTINATION	COUNTRY	ABB.	UNIT No.
U.S.A.	K		00-10
CANADA	P1		

VR-2080 (X11-3800-10)

DESTINATION	COUNTRY	ABB.	UNIT No.
U.S.A.	K		00-10
CANADA	P1		

KRF-V7771D (X11-38XX-XX)

DESTINATION	COUNTRY	ABB.	UNIT No.
JAPAN	J		00-01
GENERAL MARKET	M1		00-21
CHINA	C1		13-00

VR-2090 (X11-3800-11)

DESTINATION	COUNTRY	ABB.	UNIT No.
U.S.A.	R2		00-11
CANADA	P2		

KRF-V8881D (X11-38XX-XX)

DESTINATION	COUNTRY	ABB.	UNIT No.
JAPAN	J		40-01
GENERAL MARKET	M2		40-21
CHINA	C2		43-01
CHINA	C2		83-00

POWER AMPLIFIER UNIT (X07-294X-XX) (A/8)
(X07-2983-00) (A/8)

VR-2080 (X07-2940-10)

DESTINATION	COUNTRY	ABB.	UNIT No.
U.S.A.	K		40-10
CANADA	P1		

VR-2090 (X07-2940-10)

DESTINATION	COUNTRY	ABB.	UNIT No.
U.S.A.	R2		40-10
CANADA	P2		

KRF-V8881D (X07-29XX-XX)

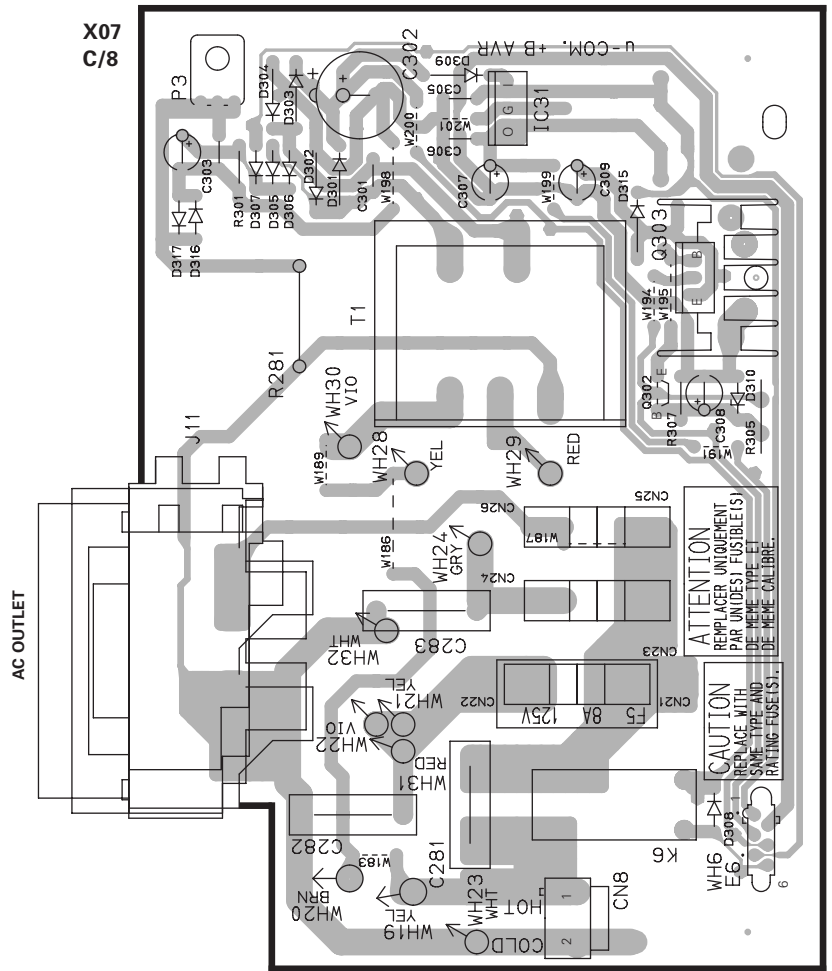
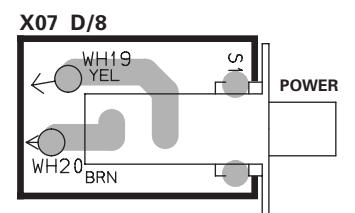
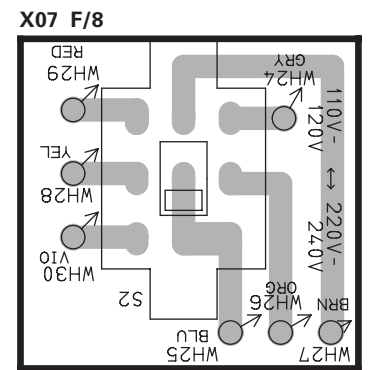
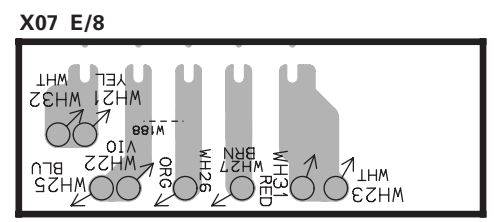
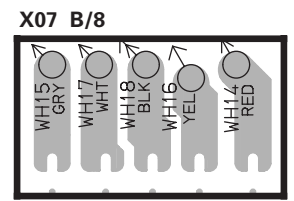
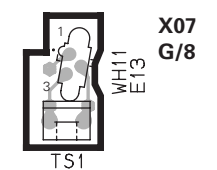
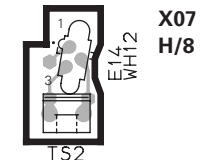
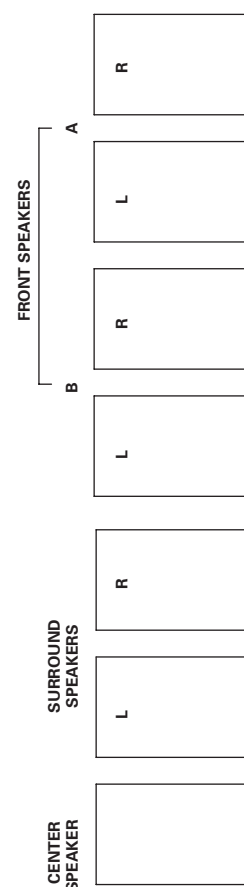
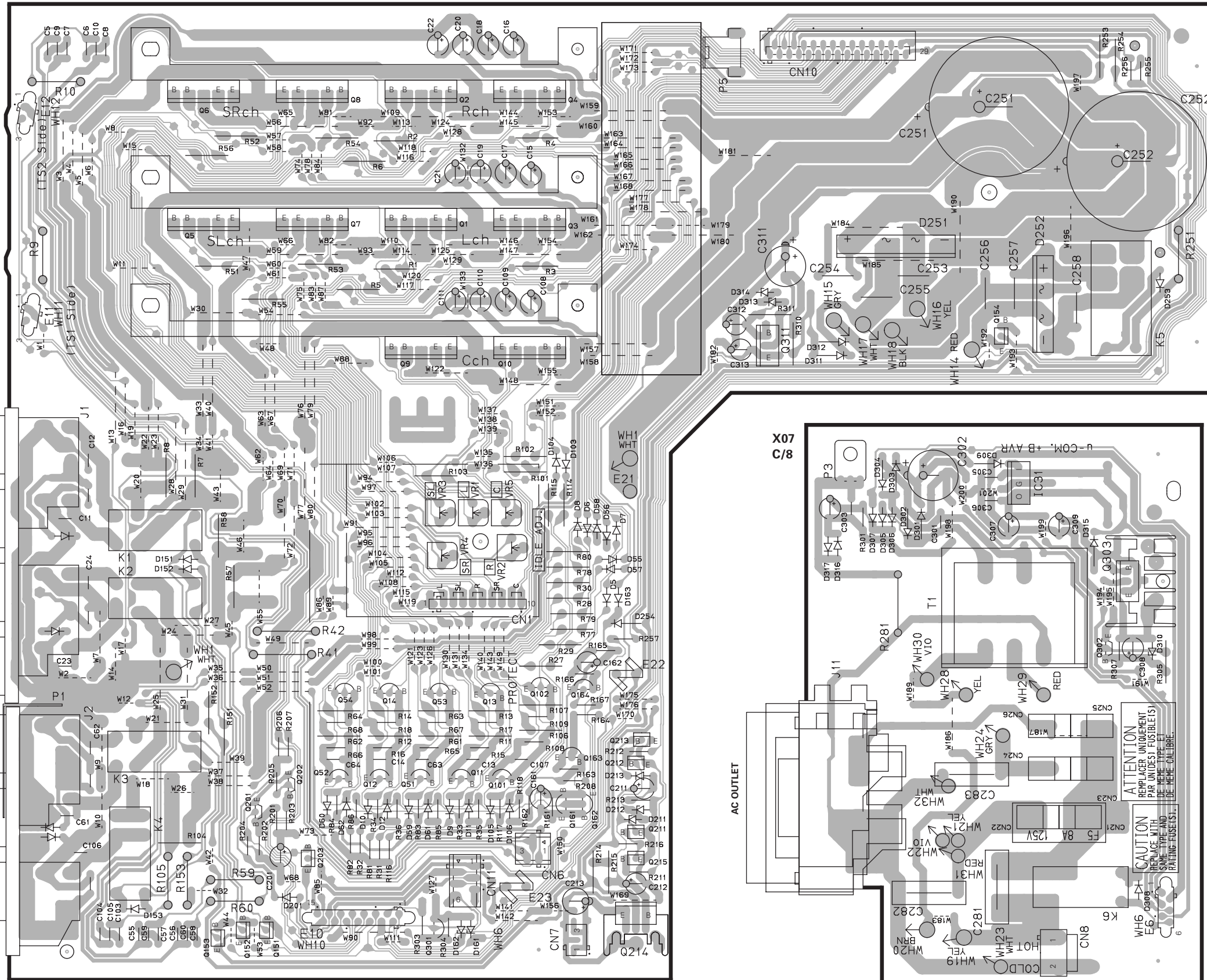
DESTINATION	COUNTRY	ABB.	UNIT No.
GENERAL MARKET	M2		40-21
CHINA	C2		43-01
CHINA	C2		83-00

KRF-V7771D (X07-29XX-XX)

DESTINATION	COUNTRY	ABB.	UNIT No.
JAPAN	J		40-01
GENERAL MARKET	M1		40-21
CHINA	C1		43-01
CHINA	C1		83-00

PC BOARD(Component side view)

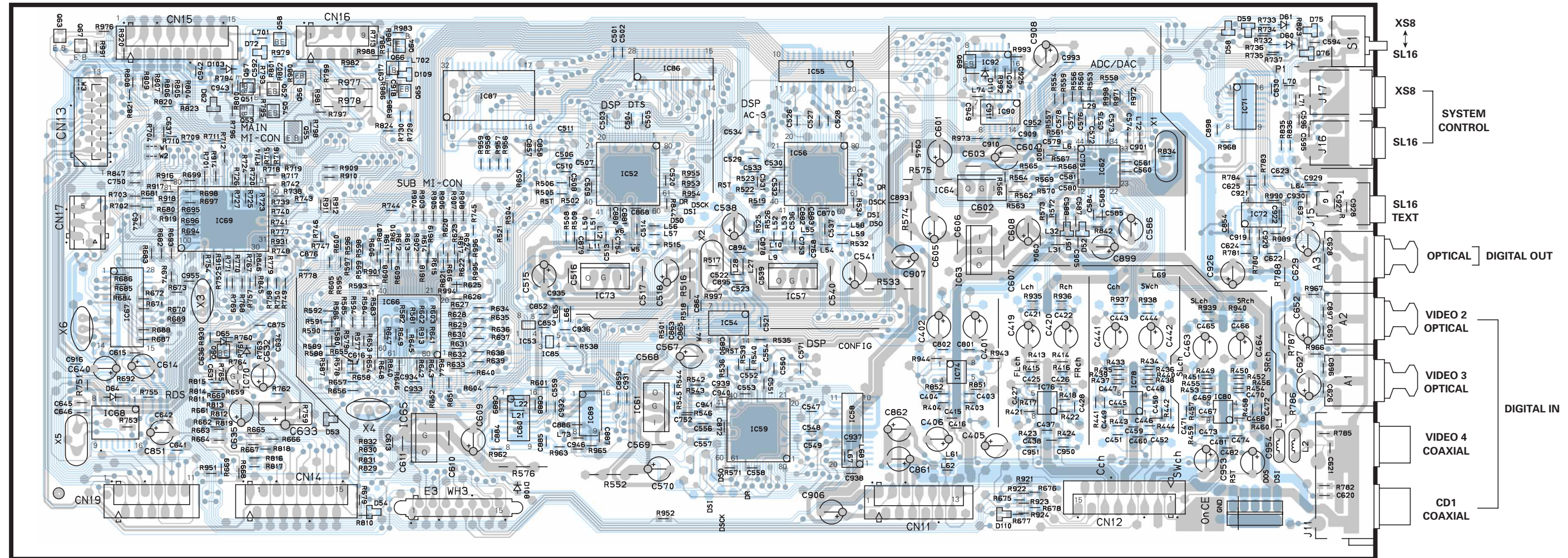
X07-294X-XX A/8 (J70-1153-11)



ATTENTION
REMPLEZER UNIFORMEMENT
PAR UN(D)ES FUSIBLE(S)
CAUTION
REPLACE WITH
SAME RATING AND
RATING FUSE(S).

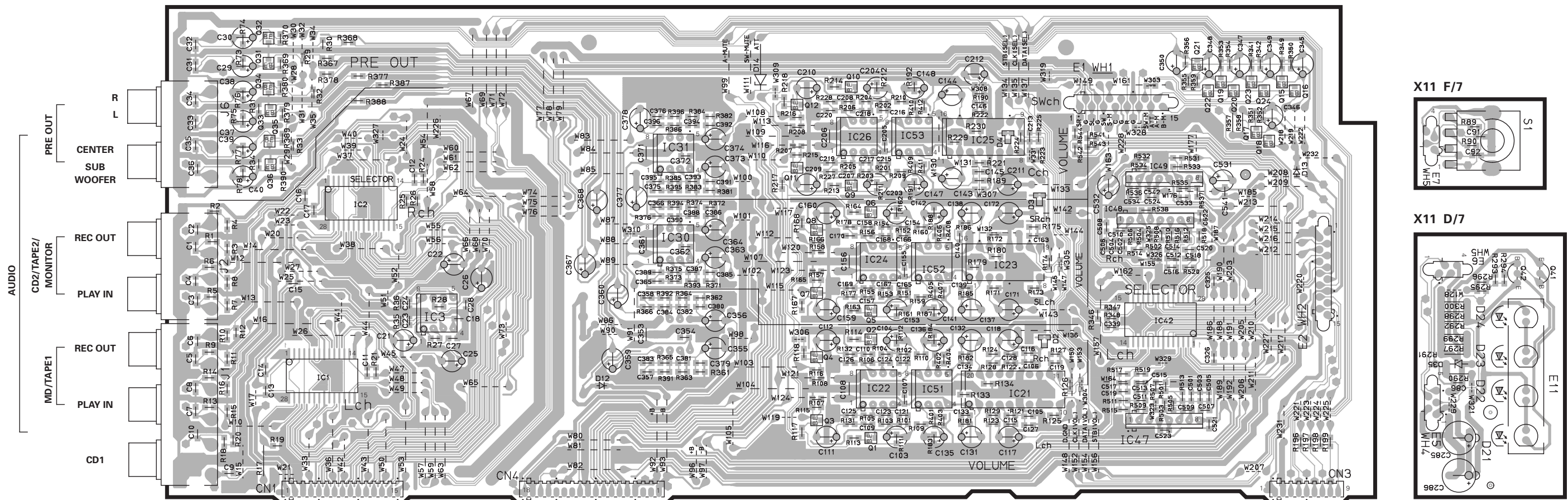
PC BOARD(Component side view)

X08-285X-XX (J70-1143-11)

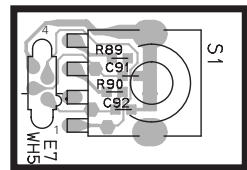


PC BOARD(Component side view)

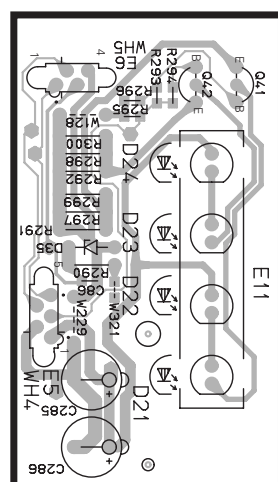
X11-3800-10 A/7 (J70-1198-11)



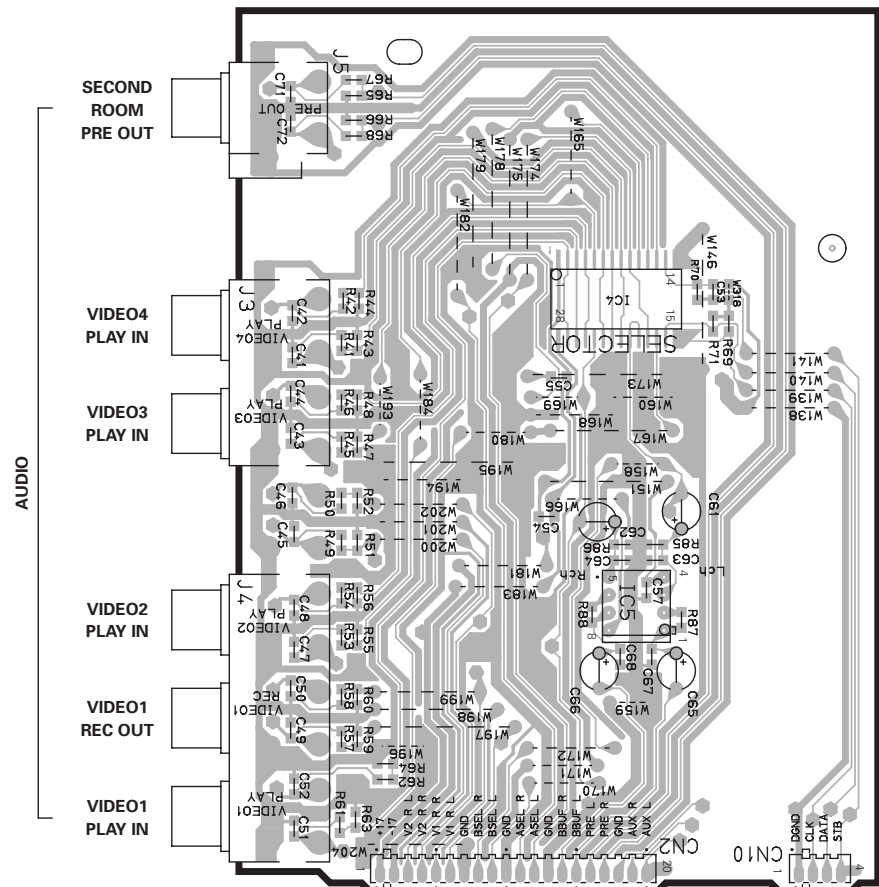
X11 F/7



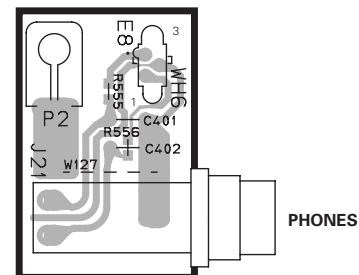
X11 D/7



X11 B/7

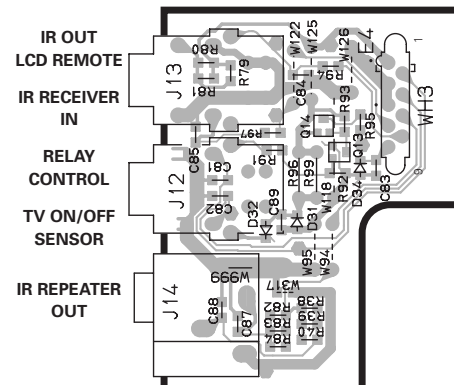


X11 G/7



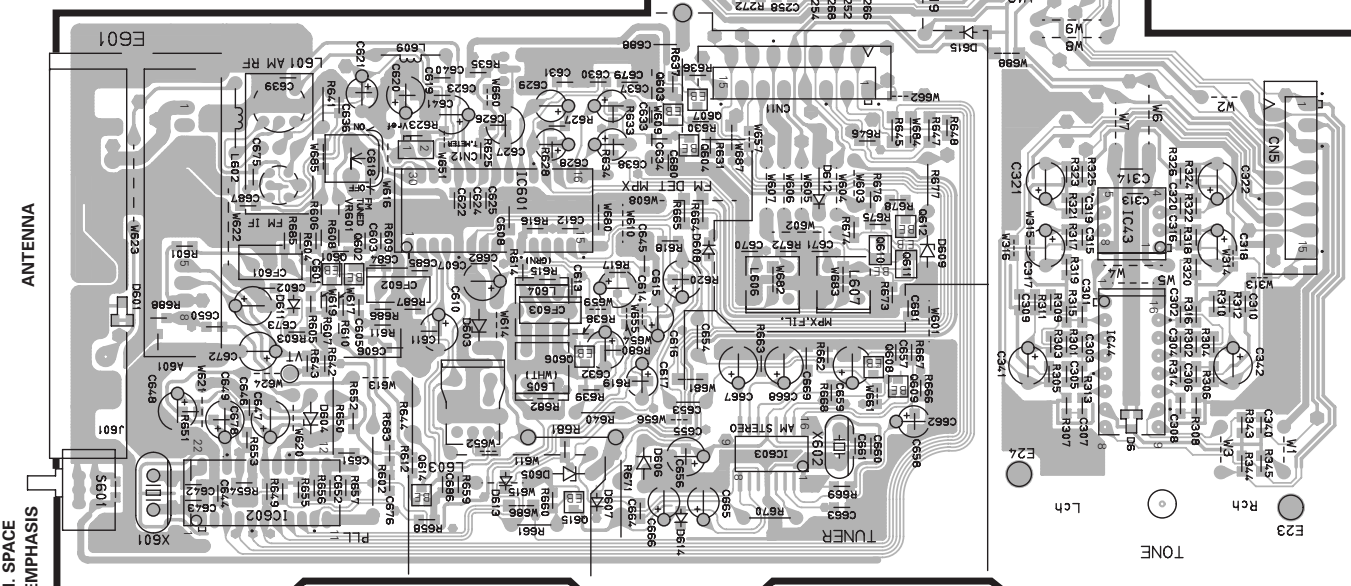
PHONES

X11 E/7

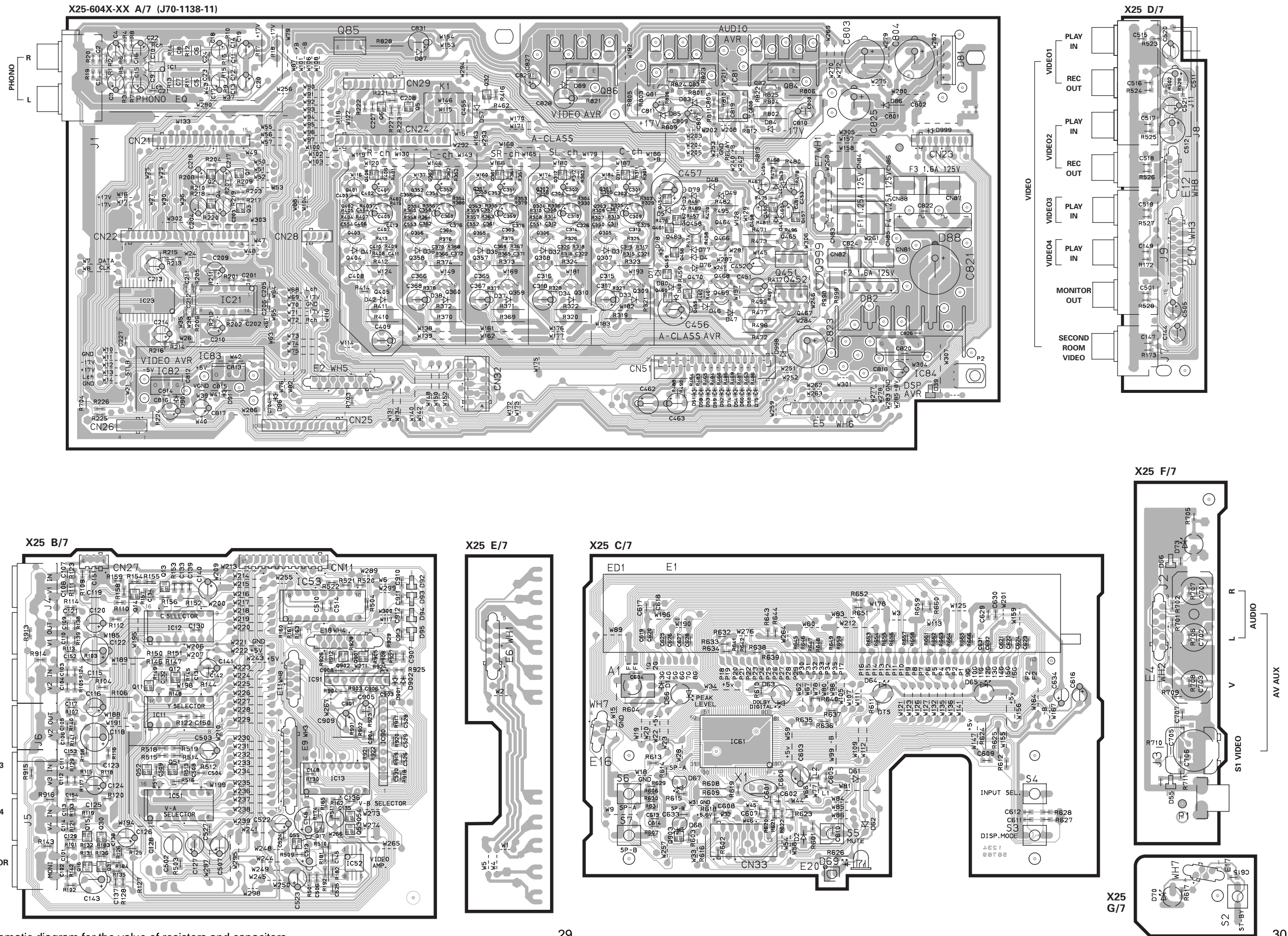


- IR OUT
- LCD REMOTE
- IR RECEIVER IN
- RELAY CONTROL
- TV ON/OFF SENSOR
- IR REPEATER OUT

X11 C/7

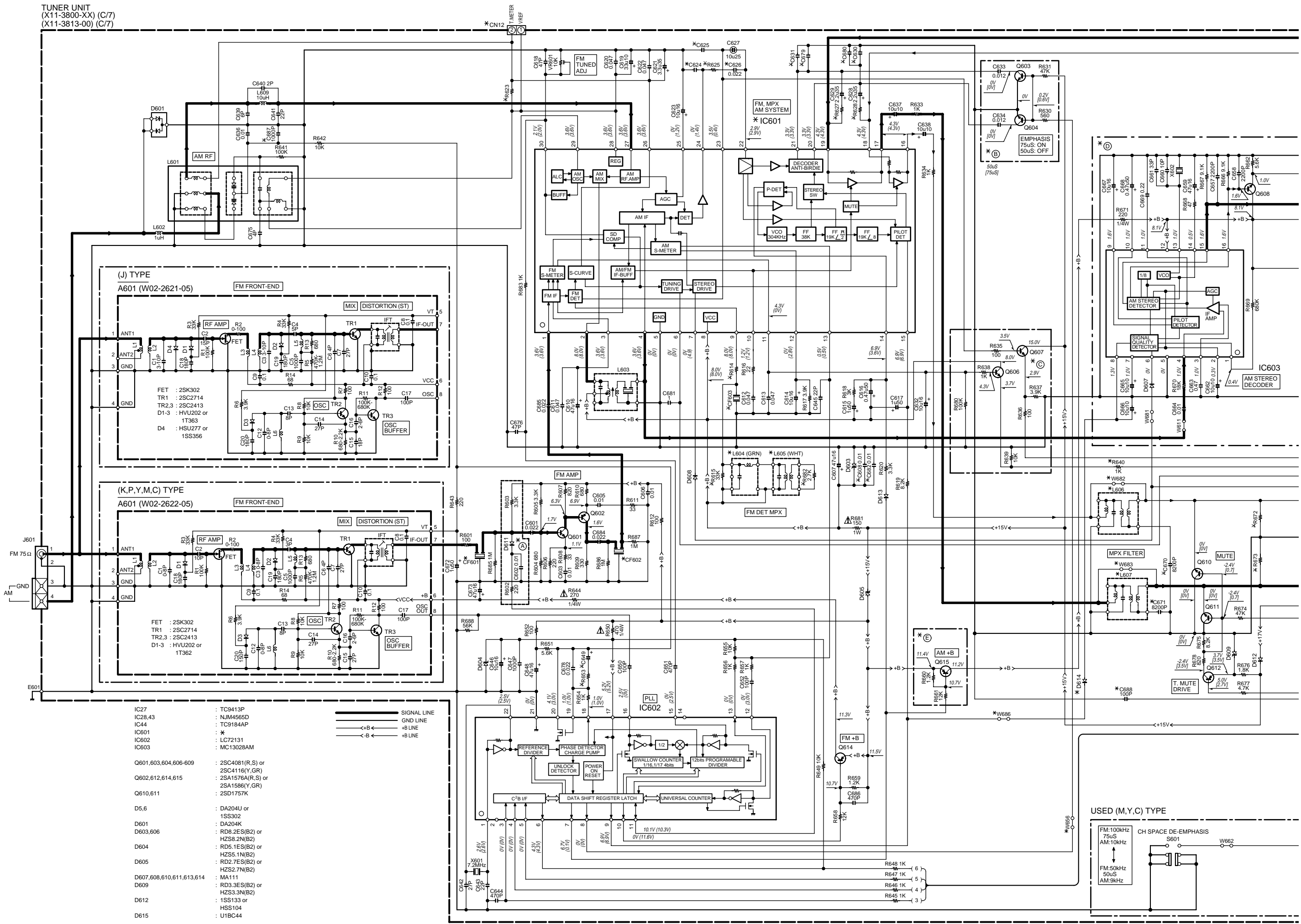


PC BOARD(Component side view)

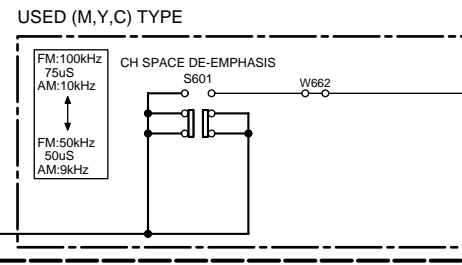


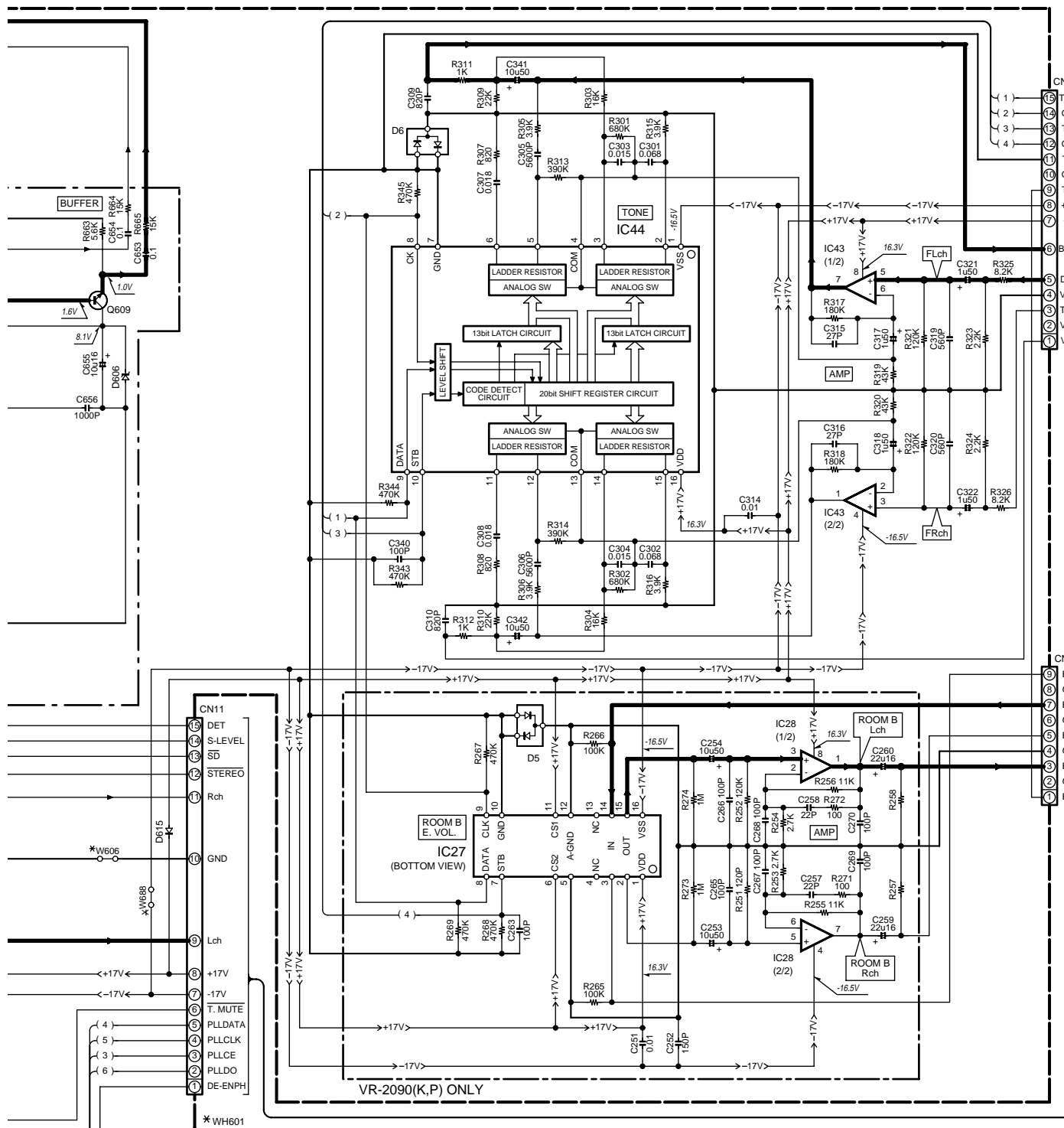
Refer to the schematic diagram for the value of resistors and capacitors.

TUNER UNIT
(X11-3800-XX) (C/7)
(X11-3813-00) (C/7)



IC27	: TC9413P	SIGNAL LINE
IC28,43	: NJM4565D	GND LINE
IC44	: TC9184AP	<+B
IC601	: *	<+B
IC602	: LC72131	<-B
IC603	: MC13028AM	<+B
Q601,603,604,606-609	: 2SC4081(R,S) or 2SC4116(Y,GR)	
Q602,612,614,615	: 2SA1576A(R,S) or 2SA1586(Y,GR)	
Q610,611	: 2SD1757K	
D5,6	: DA204U or 1SS302	
D601	: DA204K	
D603,606	: RD8.2ES(B2) or HZS8.2N(B2)	
D604	: RD5.1ES(B2) or HZS5.1N(B2)	
D605	: RD2.7ES(B2) or HZS2.7N(B2)	
D607,608,610,611,613,614	: MA111	
D609	: RD3.3ES(B2) or HZS3.3N(B2)	
D612	: 1SS133 or HSS104	
D615	: U1BC44	





VR-2080 (X11-3800-10)

DESTINATION	UNIT No.	A	B	C	D	E	C608	C624	C625	C626, 670, 671, 682, 687	C630, 631	C649	C679, 680	R614	R615, 640, 682	R623	R625	R627, 628	R640	R653	R672, 673	W606	W611, 656, 682, 683, 686	W688	L604-607	CF601, 602	CF603	A601	IC601	CN12	D614	WH601
U.S.A.	K	00-10	NO	NO	NO	NO	390P	150P	YES	0.033	2.2u50	3900P	100	YES	11K	18K	4.7K	NO	2.2K	3.9K	NO	NO	YES	YES	L72-0596	NO	W02-2622	LA1837	YES	NO	NO	NO
CANADA	P1																															

VR-2090 (X11-3800-11)

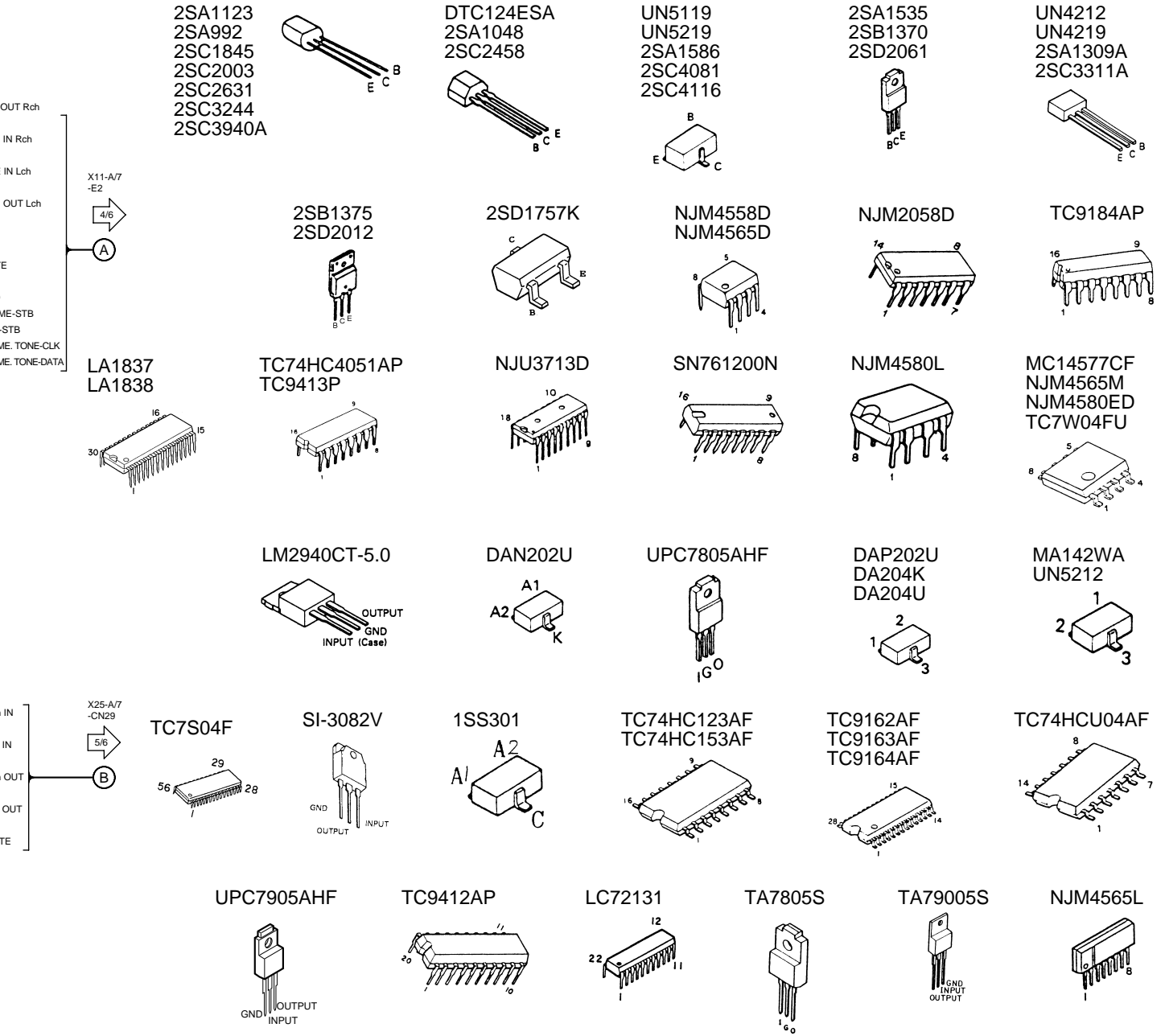
DESTINATION	UNIT No.	A	B	C	D	E	C608	C624	C625	C626, 670, 671, 682, 687	C630, 631	C649	C679, 680	R614	R615, 640, 682	R623	R625	R627, 628	R653	R672, 673	W606	W611, 656, 682, 683, 686	W688	L604-607	CF601, 602	CF603	A601	IC601	CN12	D614	WH601	
U.S.A.	K2	00-11	YES	NO	NO	NO	390P	150P	YES	0.033	2.2u50	3900P	100	YES	11K	18K	4.7K	2.2K	3.9K	NO	NO	YES	YES	L72-0596	NO	W02-2622	LA1837	YES	NO	NO	NO	
CANADA	P2																															

KRF-V7771D (X11-38XX-XX)

DESTINATION	UNIT No.	A	B	C	D	E	C608	C624	C625	C626, 670, 671, 682, 687	C670, 671, 682	C630, 631	C649	C679, 680	R614	R615, 640, 682	R623	R625	R627, 628	R653	R672, 673	W606	W611, 656, 682, 683, 686	W656	W682, 683	W688	L604-607	CF601, 602	CF603	A601	IC601	CN12	D614	WH601
JAPAN	J	00-01	NO	YES	NO	NO	820P	0.01	NO	0.015	4.7u50	6800P	NO	0.015	4.7u50	3300P	270	NO	3.3K	15K	8.2K	2.2K	8.2K	NO	NO	YES	YES	YES	YES	YES	NO	NO	NO	YES
FX	Y1																																	
GENERAL MARKET	M1	00-21	NO	YES	NO	YES	390P	270P	YES	NO	0.018	2.2u50	3300P	270	NO	3.3K	15K	8.2K	2.2K	8.2K	NO	NO	YES	YES	YES	NO	L72-0531	YES	W02-2622	LA1838	NO	NO	YES	
CHINA	C1																																	
CHINA	C1	13-00																																

KRF-V8881D (X11-38XX-XX)

DESTINATION	UNIT No.	A	B	C	D	E	C608, 626, 687, 688	C624	C625	C670, 671, 682	C630, 631	C649	C679, 680	R614	R615, 640, 682	R623	R625	R627, 628	R653	R672, 673	W606	W611, 656, 682, 683, 686	W656	W682, 683	W688	L604-607	CF601, 602	CF603	A601	IC601	CN12	D614	WH601	
GENERAL MARKET	M2	00-21	NO	YES	NO	NO	YES	390P	270P	NO	0.018	2.2u50	3300P	270	NO	3.3K	15K	8.2K	2.2K	8.2K	NO	NO	YES	YES	YES	YES	NO	L72-0531	YES	W02-2622	LA1838	NO	NO	YES
CHINA	C2																																	
CHINA	C2	13-00																																



CAUTION: For continued safety, replace safety critical components only with manufacturer's recommended parts (refer to parts list). Δ indicates safety critical components. For continued protection against risk of fire, replace only with same type and rating fuse(s). To reduce the risk of electric shock, leakage-current or resistance measurements shall be carried out (exposed parts are acceptably insulated from the supply circuit) before the appliance is returned to the customer.

The DC voltage is an actual reading measured with a high impedance type voltmeter as the AM/FM signal generator is specified to the conditions as shown in the list below. The measurement value may vary depending on the measuring instruments used or on the product. The value shown in () is actual reading measured in the AM mode.

MODE	CARRIER	MODULATION		ANT INPUT
		FREQUENCY	DEVIATION	
FM	98MHz	1kHz	STEREO 67.5kHz 7.5kHz(Pilot)	60dB
AM	1000(999)kHz	400Hz	MONO 30% MOD	60dB

VR-2080 (X25-6040-10)

DESTINATION	COUNTRY	ABB	UNIT No.	(M)	(D)	(E)	(F)	(X)	E18
U.S.A.	K		040-10						NO
CANADA	P1								NO

VR-2090 (X25-6040-11)

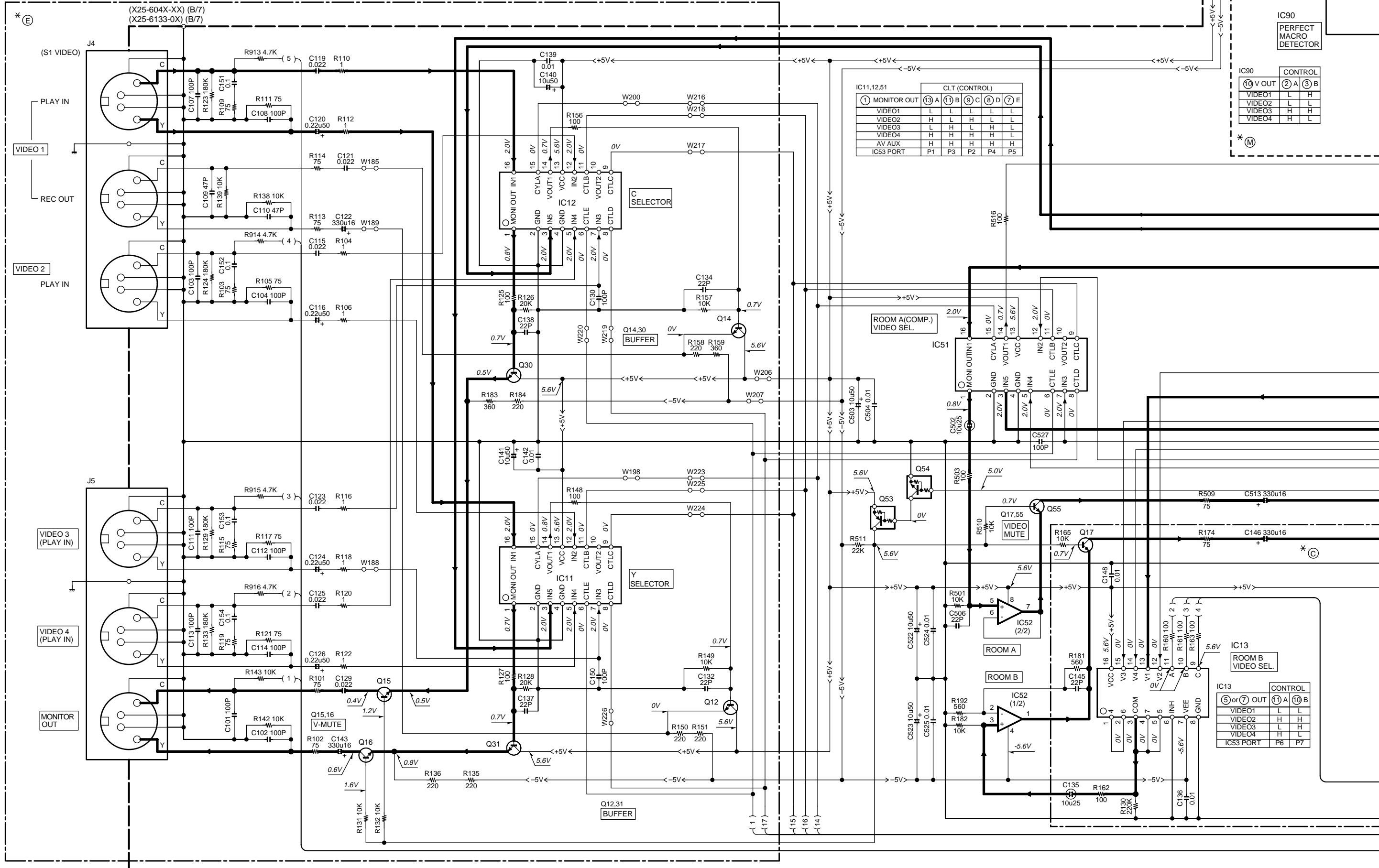
DESTINATION	COUNTRY	ABB	UNIT No.	(M)	(D)	(E)	(F)	(X)	E18
U.S.A.	K2		040-11						YES
CANADA	P2								YES

KRF-V7771D (X25-6XXX-XX)

DESTINATION	COUNTRY	ABB	UNIT No.	(M)	(D)	(E)	(F)	(X)	E18
JAPAN	J		040-01						YES
PX	Y1		042-91						NO
GENERAL MARKET	M1		040-21						NO
CHINA	C1								YES
CHINA	C1		133-00						YES

KRF-V8881D (X25-6XXX-XX)

DESTINATION	COUNTRY	ABB	UNIT No.	(M)	(D)	(E)	(F)	(X)	E18
GENERAL MARKET	M2		040-22						NO
CHINA	C2								YES
CHINA	C2		133-01						YES



IC11,12,51 CLT (CONTROL)

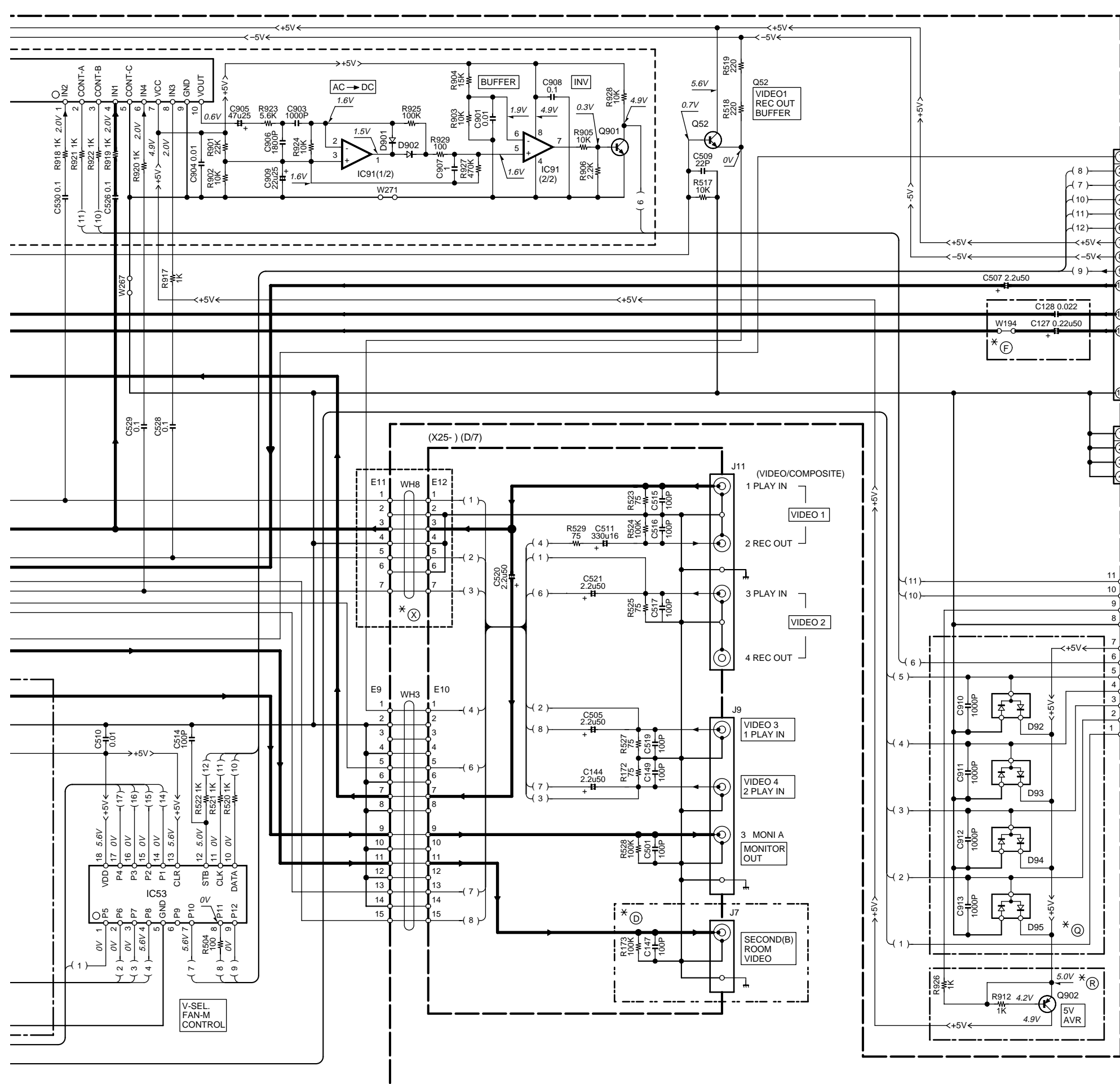
(1) MONITOR OUT	(13) A	(11) B	(9) C	(8) D	(7) E
VIDEO1	L	L	L	L	L
VIDEO2	H	L	H	L	L
VIDEO3	L	H	L	H	L
VIDEO4	H	H	H	H	H
AV AUX	H	H	H	H	H
IC53 PORT	P1	P3	P2	P4	P5

IC90 PERFECT MACRO DETECTOR

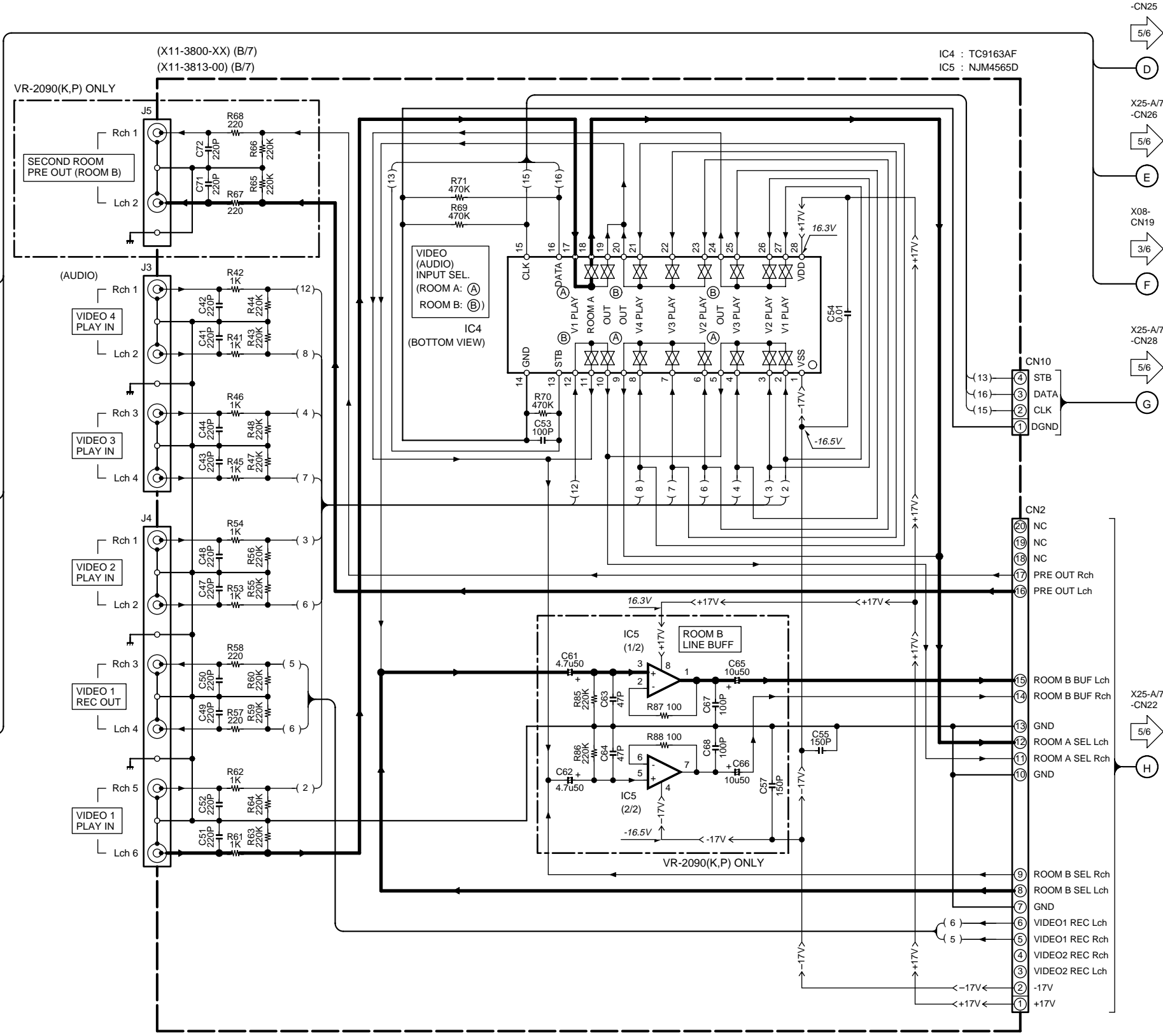
(10) V OUT	(2) A	(3) B
VIDEO1	L	H
VIDEO2	L	L
VIDEO3	H	H
VIDEO4	H	L

IC13 ROOM B VIDEO SEL.

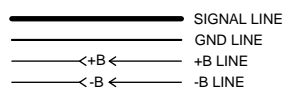
(5) or (7) OUT	(11) A	(10) B
VIDEO1	L	L
VIDEO2	H	H
VIDEO3	L	H
VIDEO4	H	L
IC53 PORT	P6	P7



- | | | | |
|------------|----------------|---------------------|-----------------------|
| IC11,12,51 | : SN761200N | Q12,14,30,31,52,901 | : 2SC4081(R,S) |
| IC13 | : TC74HC4051AP | Q15-17,55 | : 2SC4213(B) |
| IC52 | : MC14577CF | Q54 | : UN5119 or DTA113ZUA |
| IC53 | : NJU3713D | Q54 | : UN5212 or DTC124EUA |
| IC90 | : BA7645N | Q902 | : 2SA1611(M5,M6) |
| IC91 | : NJM4580L | | |
| | | D92-95 | : DA204K |
| | | D901,902 | : MA111 |

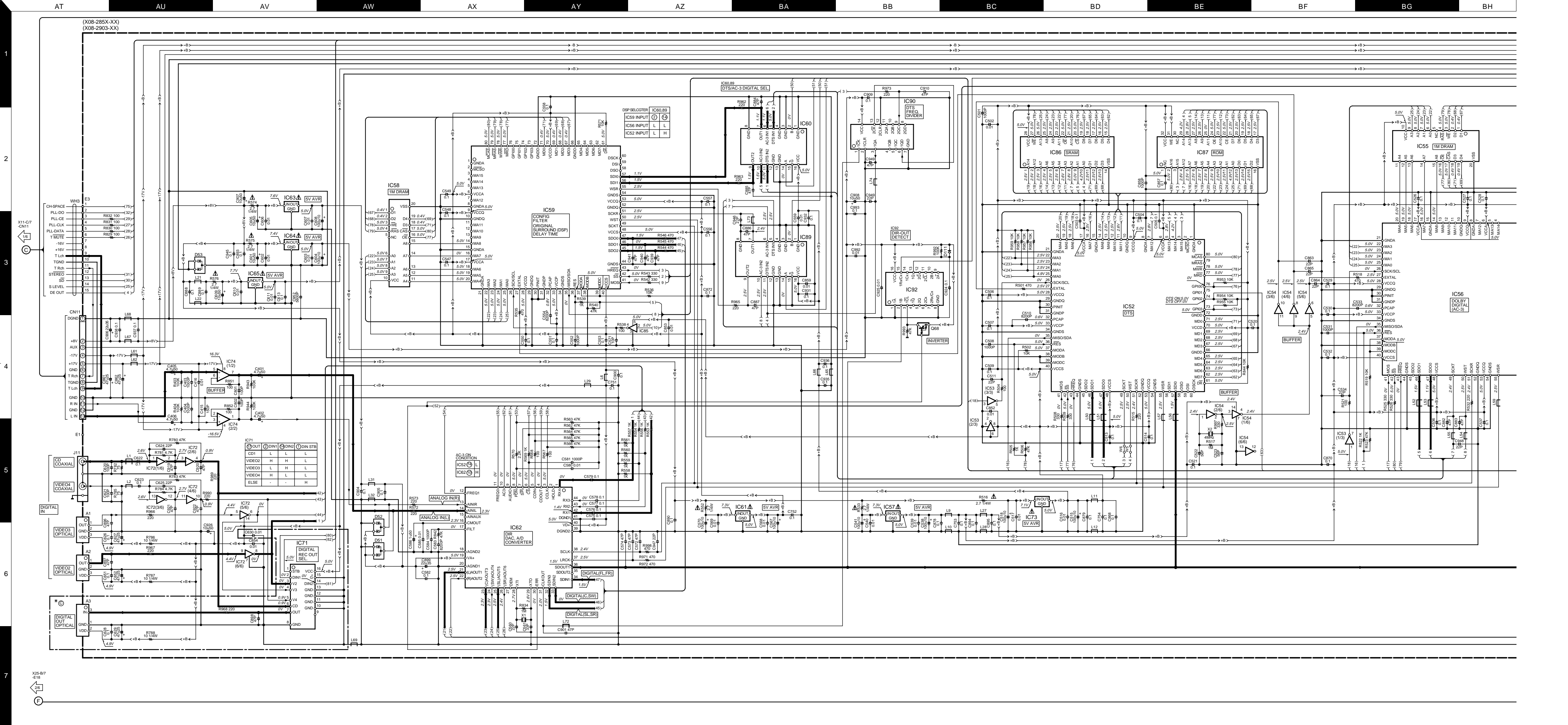


VR-2080/2090(K) (2/6)
KRF-V7771D/V8881D(M) (2/6)

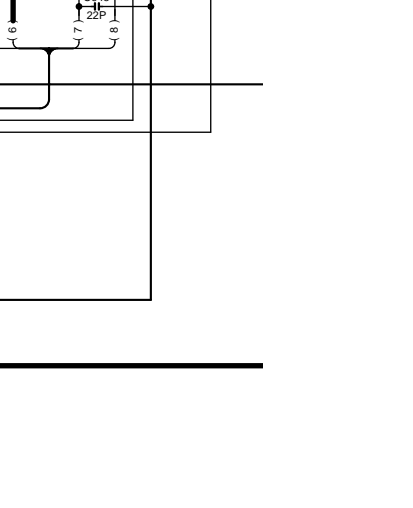
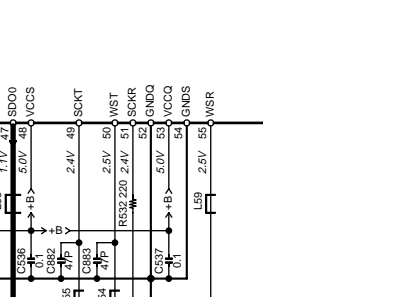
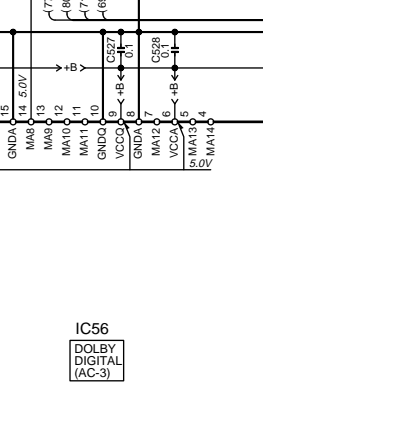
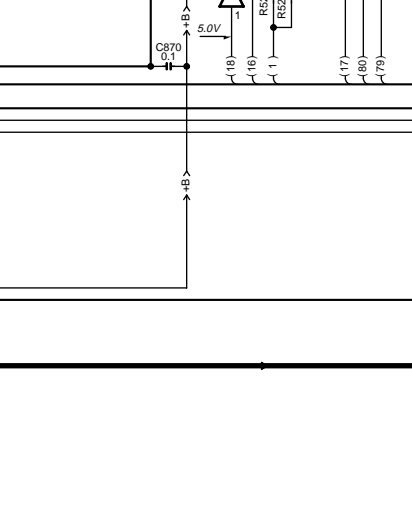
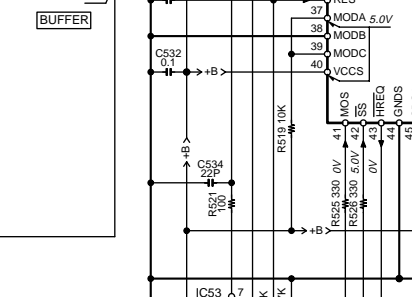
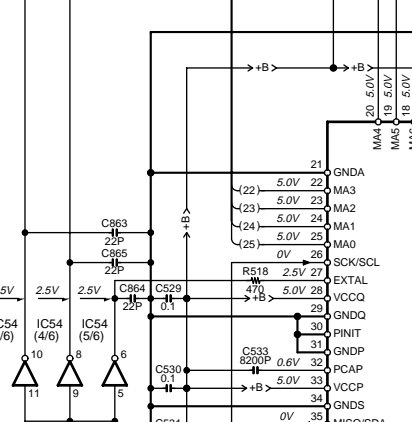
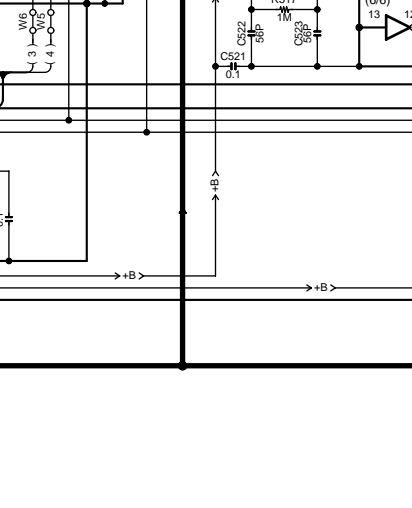
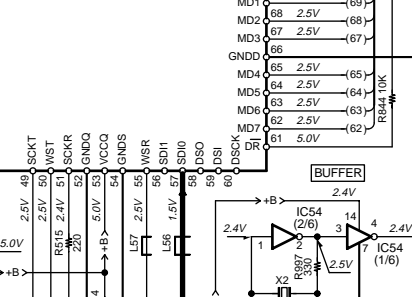
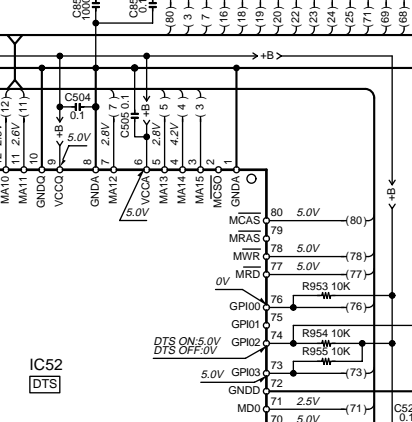
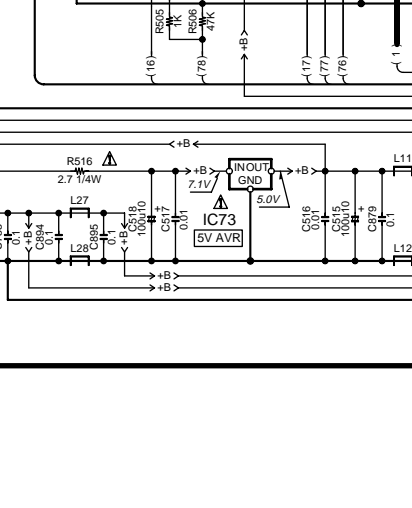
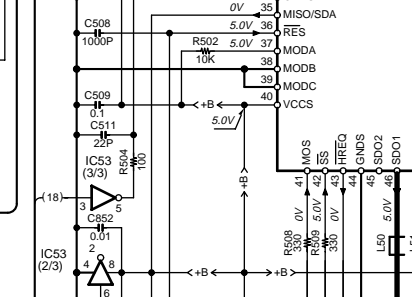
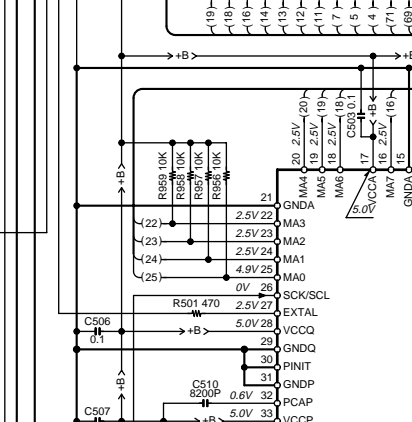
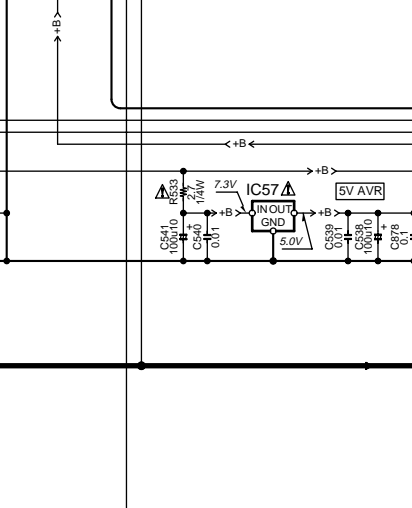
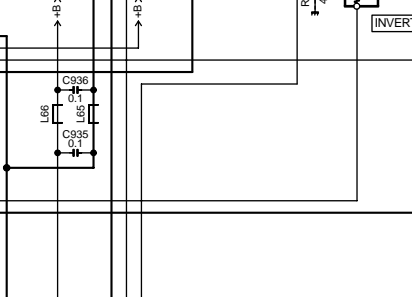
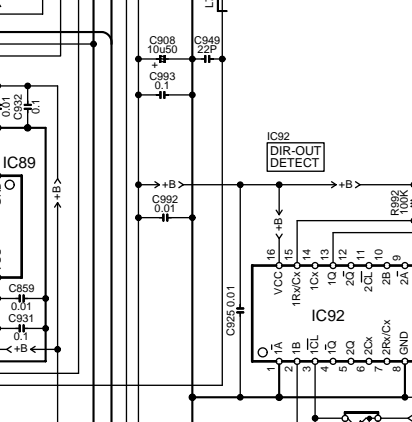
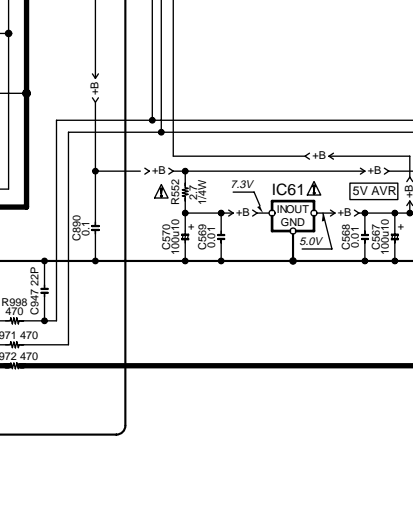
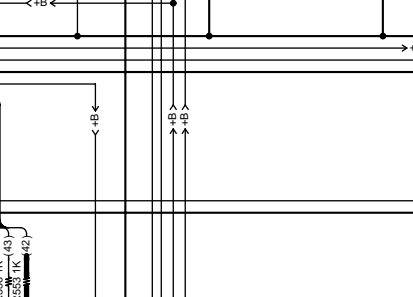
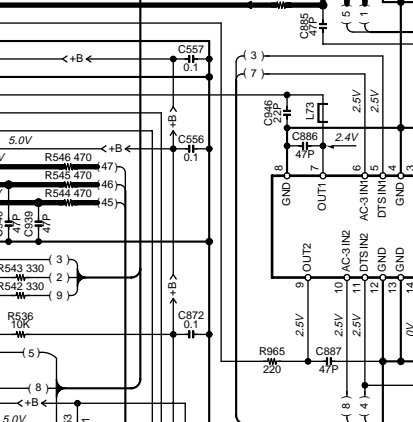
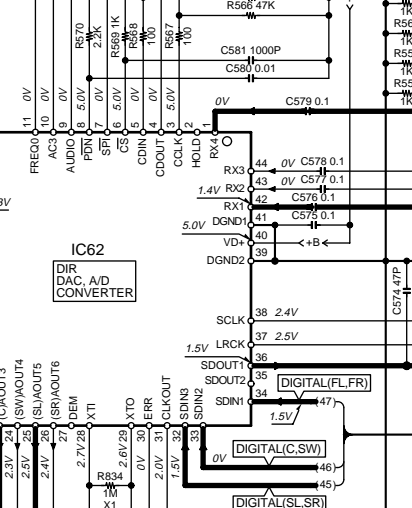
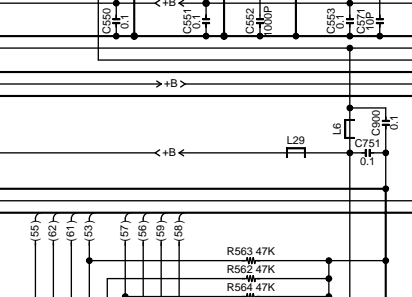
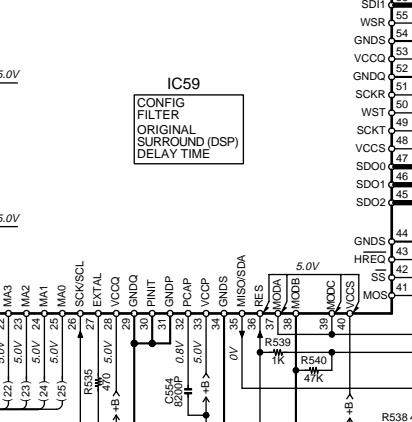
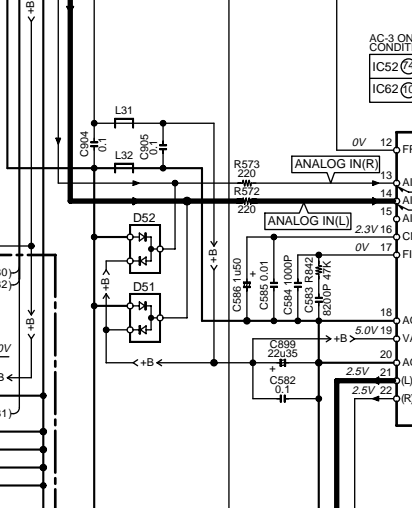
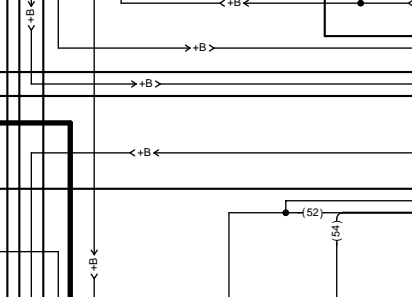
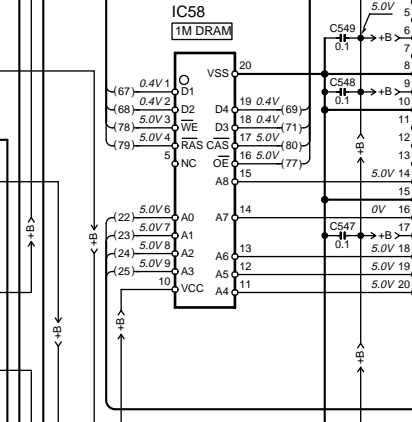
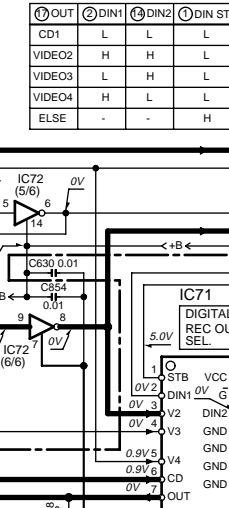
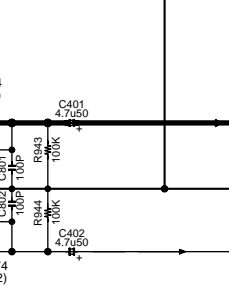
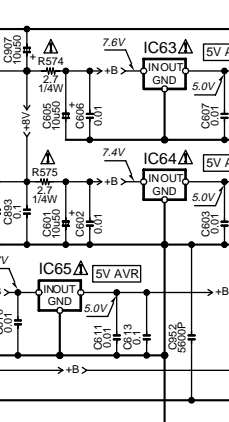
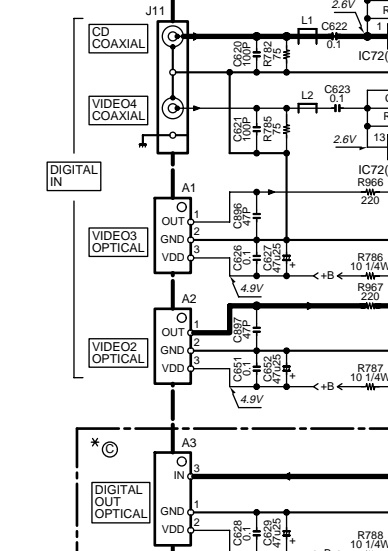
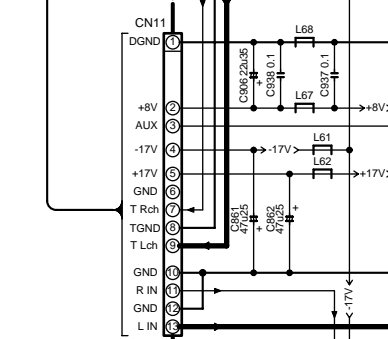
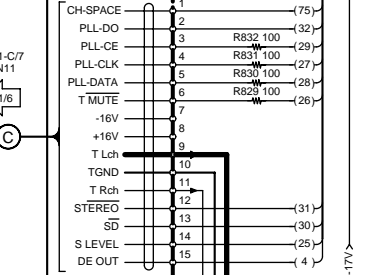


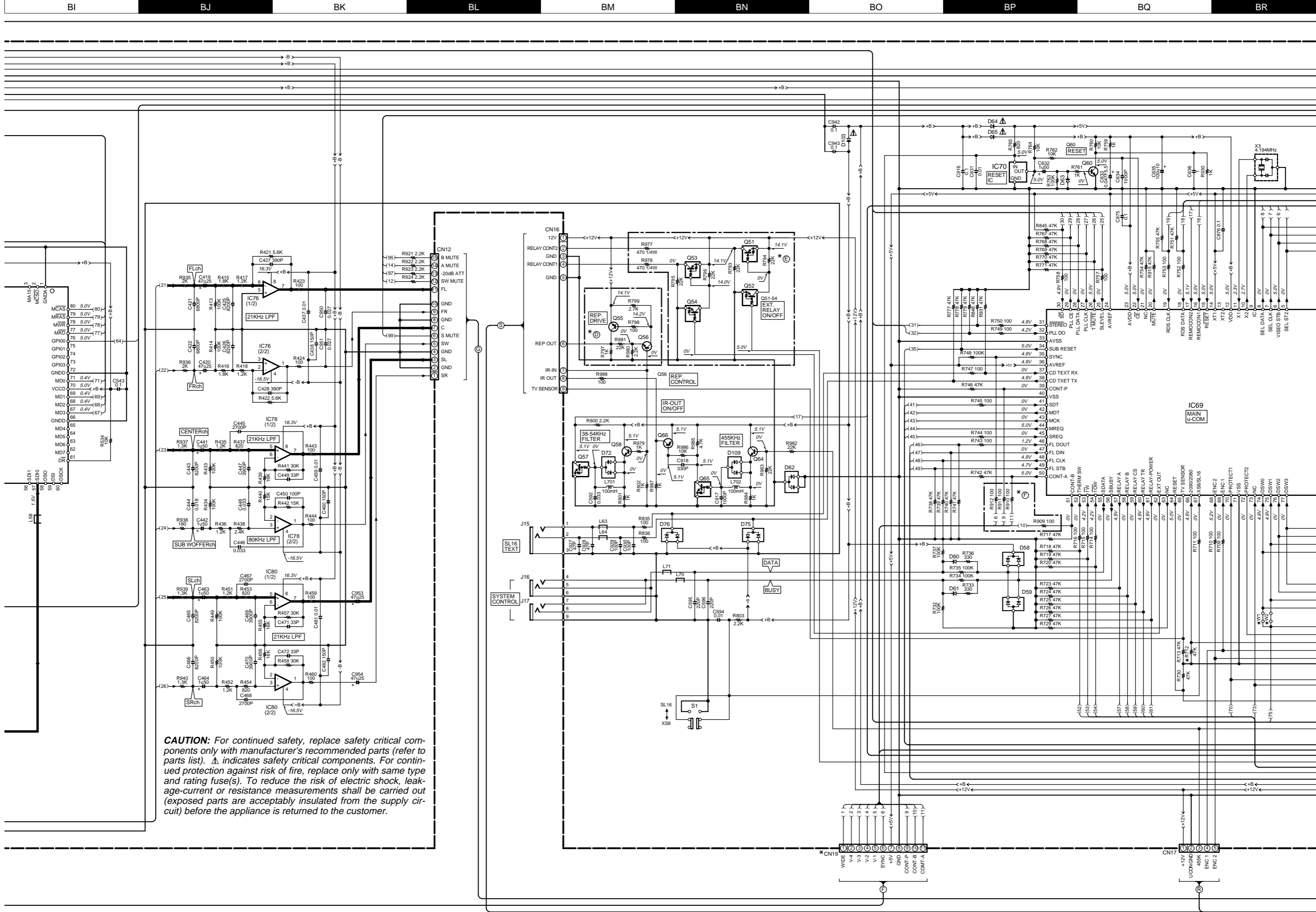
CAUTION: For continued safety, replace safety critical components only with manufacturer's recommended parts (refer to parts list). Δ indicates safety critical components. For continued protection against risk of fire, replace only with same type and rating fuse(s). To reduce the risk of electric shock, leakage-current or resistance measurements shall be carried out (exposed parts are acceptably insulated from the supply circuit) before the appliance is returned to the customer.

The DC voltage is an actual reading measured with a high impedance type voltmeter with no signal input. The measurement value may vary depending on the measuring instruments used or on the product.

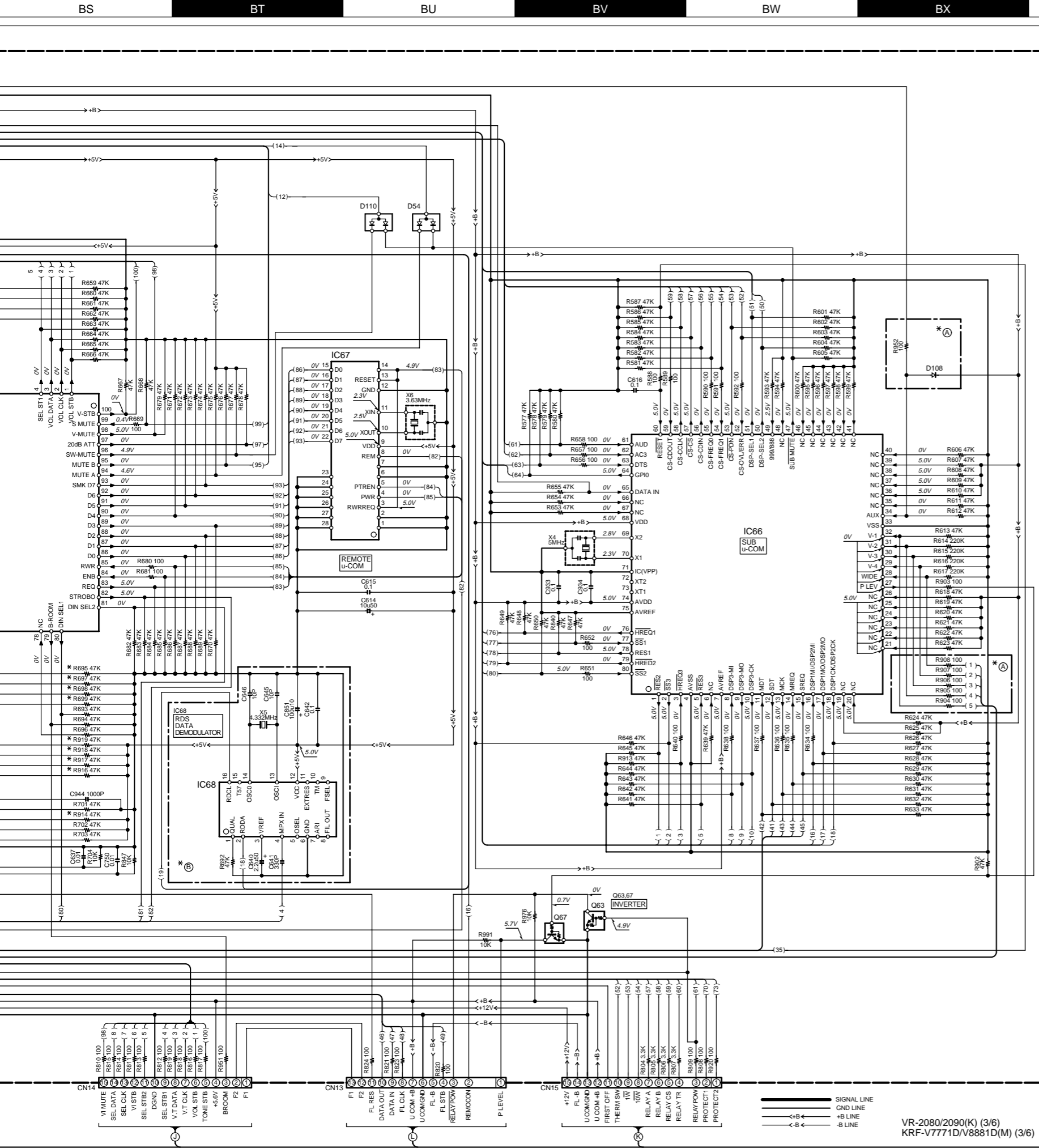


(X08-285X-XX)
(X08-2903-XX)





CAUTION: For continued safety, replace safety critical components only with manufacturer's recommended parts (refer to parts list). Δ indicates safety critical components. For continued protection against risk of fire, replace only with same type and rating fuse(s). To reduce the risk of electric shock, leakage-current or resistance measurements shall be carried out (exposed parts are acceptably insulated from the supply circuit) before the appliance is returned to the customer.



IC52 : DSP156009FJ88
IC53 : TC7W04FU
IC54,72 : TC74HCU04AF
IC55,58 : LH84256CK-70
IC56 : DSPF56009FJ88
IC57,63,73 : LM2940CT-5.0
IC59 : DSPB56007FJ88
IC60,71,89 : TC74HC153AF
IC61,64,65 : TA7805S
IC62 : CS4226KQC
IC66 : UPD78058GC-A74
IC67 : UPD17215GT-737
IC68 : TDA7479D
IC69 : UPD78078GF-080
IC70 : S-806D-Z

IC74,76,78,80 : NJM4565M
IC85 : TC7504F
IC86 : N341256SJ-15 or W24257AJ-15 or N341256SJ-12 or W24257AJ-12
IC87 : DSPB56007FJ88
IC89 : TC74HC393AF
IC90 : TC74HC123AF

Q51,53,68 : UN5112 or DTA124EUA
Q52,54,63,67 : UN5212 or DTC124EUA
Q55 : 2SB1424(Q,R)
Q56,58,60,64 : 2SC4081(R,S) or 2SC4116(Y,GR)
Q57,65 : UN5219 or DTC113ZUA
Q66 : 2SA1576A(R,S) or 2SA1586(Y,GR)

A1,2 : W02-1181-05
A3 : W02-1114-05
D51-53,62,72,75,76,109 : DTA204U or ISS302 or MA143A
D54,59,110 : DAP202U or ISS300 or MA142WA
D58 : DAN202U or ISS301
D60,61,63,108,111 : MA111
D64,65,103 : U1BC44

KRF-V7771D (X08-2XXX-XX)

DESTINATION	UNIT No.	R695,712,916,917	R697	R698,699,914,919	R918	ⓐ	ⓑ	ⓒ	ⓓ	ⓔ	ⓕ	ⓖ	ⓗ	☉	☊	☋	☌	☍	☎	☏	CN19	W1	W2	
COUNTRY	ABB																							
JAPAN	UJ	850-01		NO	NO	YES	YES								YES	NO					YES	NO	NO	
GENERAL MARKET	M1	850-21	YES	YES	NO	NO									NO						YES	NO	YES	
CHINA	CT	903-01																						
CHINA	CT	903-01																						

KRF-V8881D (X08-2XXX-XX)

DESTINATION	UNIT No.	R695,697,914,916,917	R698,699,914,918,919	ⓐ	ⓑ	ⓒ	ⓓ	ⓔ	ⓕ	ⓖ	ⓗ	☉	☊	☋	☌	☍	☎	☏	CN19	W1	W2			
COUNTRY	ABB																							
JAPAN	UJ	850-01		NO	NO	YES	YES								YES	NO					YES	NO	NO	
GENERAL MARKET	M2	850-22	YES	YES	NO	NO									NO						YES	NO	YES	
CHINA	C2	903-01																						
CHINA	C2	903-01																						

VR-2080 (X08-2850-10)

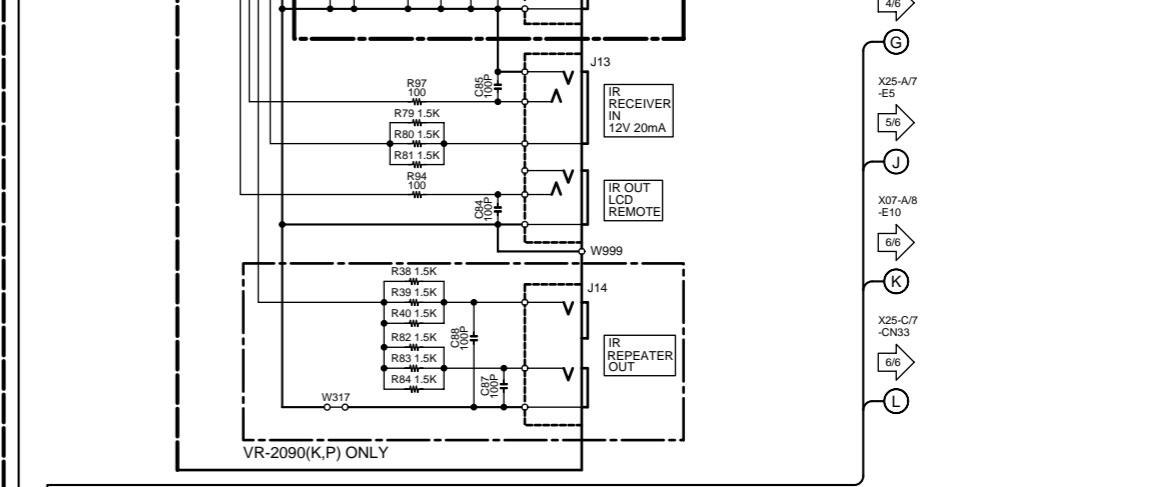
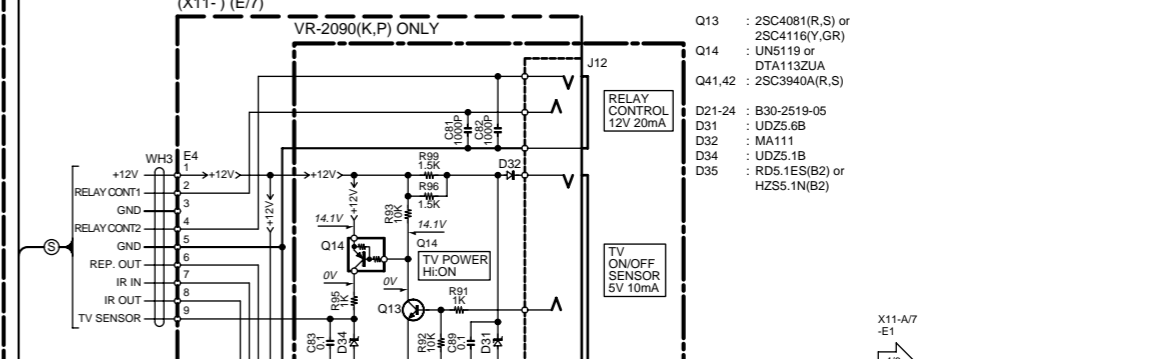
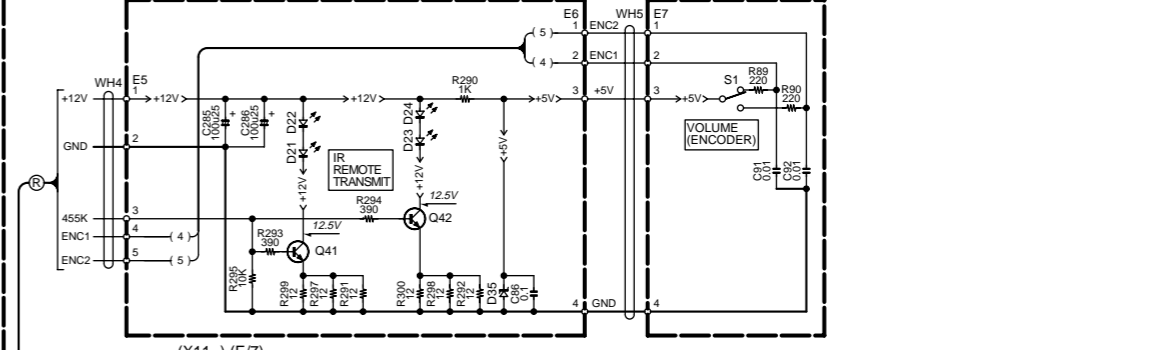
DESTINATION	UNIT No.	R695,697,914,916,917	R914,916,919	ⓐ	ⓑ	ⓒ	ⓓ	ⓔ	ⓕ	ⓖ	ⓗ	☉	☊	☋	☌	☍	☎	☏	CN19	W1,2				
COUNTRY	ABB																							
U.S.A.	K	850-10	YES	NO																	NO	NO	NO	
CANADA	PT																							

VR-2090 (X08-2850-11)

DESTINATION	UNIT No.	R695,698,712,916,918	R697,699,914,917,919	ⓐ	ⓑ	ⓒ	ⓓ	ⓔ	ⓕ	ⓖ	ⓗ	☉	☊	☋	☌	☍	☎	☏	CN19	W1,2				
COUNTRY	ABB																							
U.S.A.	K2	850-11	NO	YES																	YES	NO	NO	
CANADA	P2																							

The DC voltage is an actual reading measured with a high impedance type voltmeter with no signal input. The measurement value may vary depending on the measuring instruments used or on the product.

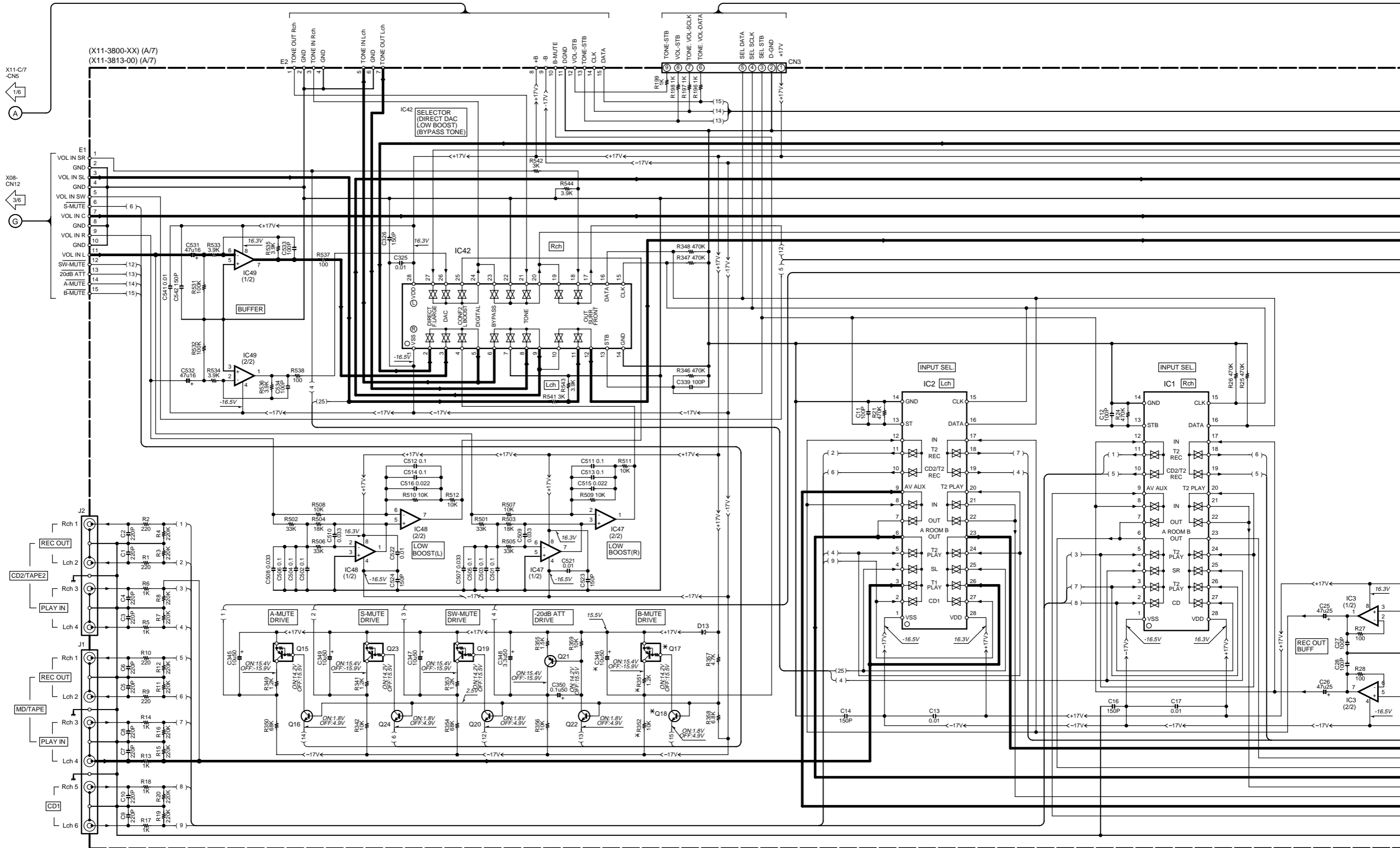
DOLBY and the double-D symbol are trademarks of Dolby Laboratories Licensing Corporation. Noise reduction circuit made under license from Dolby Laboratories Licensing Corporation.



VR-2080/2090(K) (3/6)
KRF-V7771D/V8881D(M) (3/6)
Y05-3570-10

KRF-V7771D/V8881D/VR-2080/2090

KENWOOD



CAUTION: For continued safety, replace safety critical components only with manufacturer's recommended parts (refer to parts list). Δ indicates safety critical components. For continued protection against risk of fire, replace only with same type and rating fuse(s). To reduce the risk of electric shock, leakage-current or resistance measurements shall be carried out (exposed parts are acceptably insulated from the supply circuit) before the appliance is returned to the customer.

The DC voltage is an actual reading measured with a high impedance type voltmeter with no signal input. The measurement value may vary depending on the measuring instruments used or on the product.

1
2
3
4
5
6
7

VR-2080 (X11-3800-10)

DESTINATION	UNIT No.	R103.104, 153.154.203	R351.352.373.374, 383.393.395	R375.376.385	C346.365.366, 375.387.388.393	Q17.18
U.S.A.	K	NO	NO	100	NO	NO
CANADA	FT	00-10	2.7K	NO	NO	NO

KRF-V7771D (X11-38XX-XX)

DESTINATION	UNIT No.	R103.104, 153.154.203	R351.352	R373.374, 383.393.395	R375.376.385	C346.365.366, 375.387.388.393	Q17.18
JAPAN	J	00-01	3.3K	YES	3.3K	YES	NO
GENERAL MARKET	MT	00-21	2.7K	NO	NO	NO	NO
CHINA	C1	13-00					

VR-2090 (X11-3800-11)

DESTINATION	UNIT No.	R103.104, 153.154.203	R351.352	R373.374, 383.393.395	R375.376.385	C346.365.366, 375.387.388.393	Q17.18
U.S.A.	K	00-11	2.7K	YES	NO	100	YES
CANADA	F2						

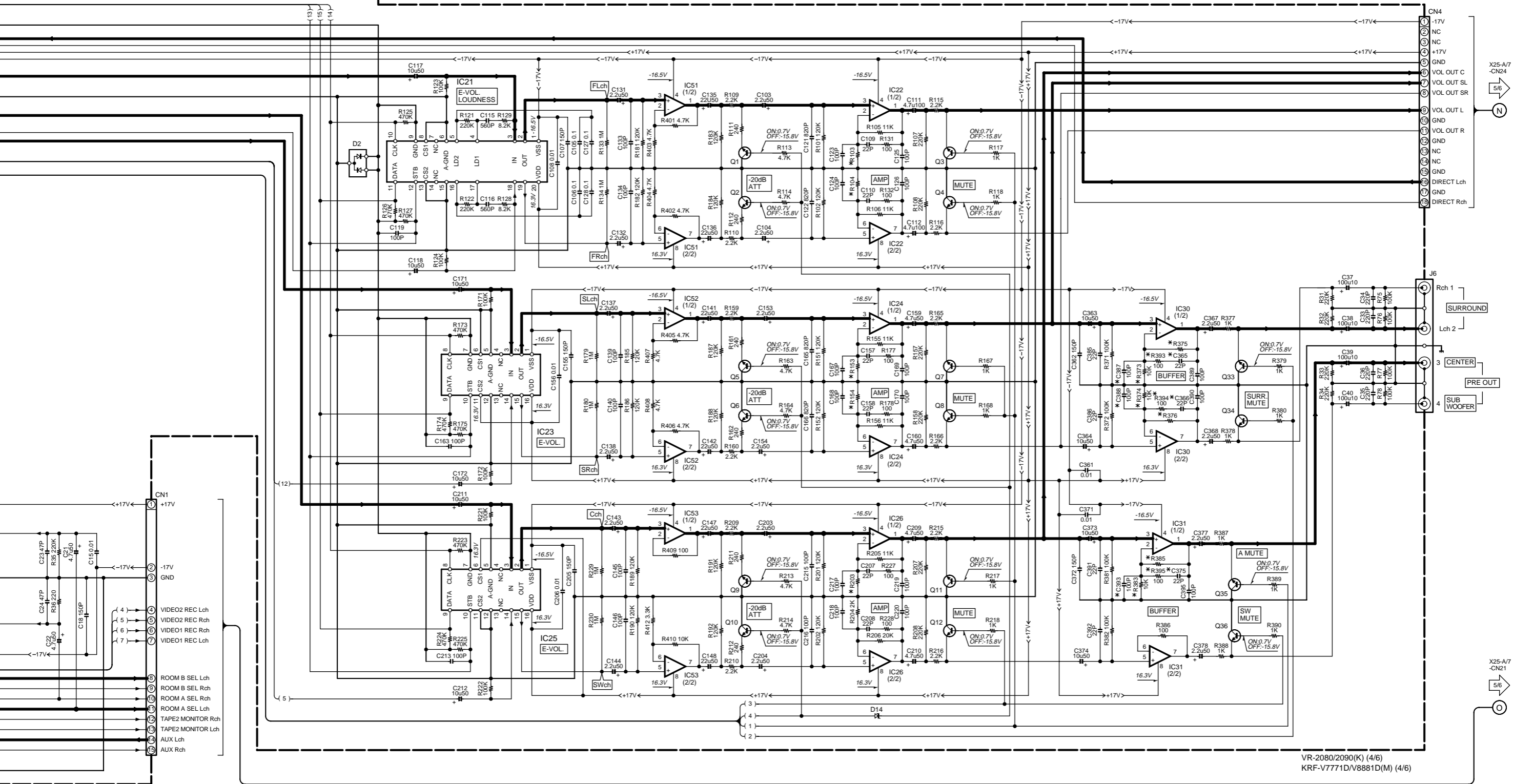
KRF-V8881D (X11-38XX-XX)

DESTINATION	UNIT No.	R103.104, 153.154.203	R351.352.373.374, 383.393.395	R375.376.385	C346.365.366, 375.387.388.393	Q17.18
GENERAL MARKET	M2	00-21	2.7K	NO	100	NO
CHINA	C2	13-00				

IC1,2 : TC9164AF
 IC3,22,24,26,30,31,51-53 : NJM4565D
 IC21 : TC9412AP
 IC23,25 : TC9413P
 IC42 : TC9163AF
 IC47-49 : NJM4565L

Q1-12,33-36 : 2SC4231(B)
 Q15,17,19,23 : UN5119 or DTA113ZUA
 Q16,18,20,22,24 : 2SC4081(R,S) or 2SC4116(Y,GR)
 Q21 : 2SA1576A(R,S) or 2SA1586(Y,GR)

D2 : DA204U or 1S5302
 D13 : MA111
 D14 : RD11ES(B) or HZS11N(B)

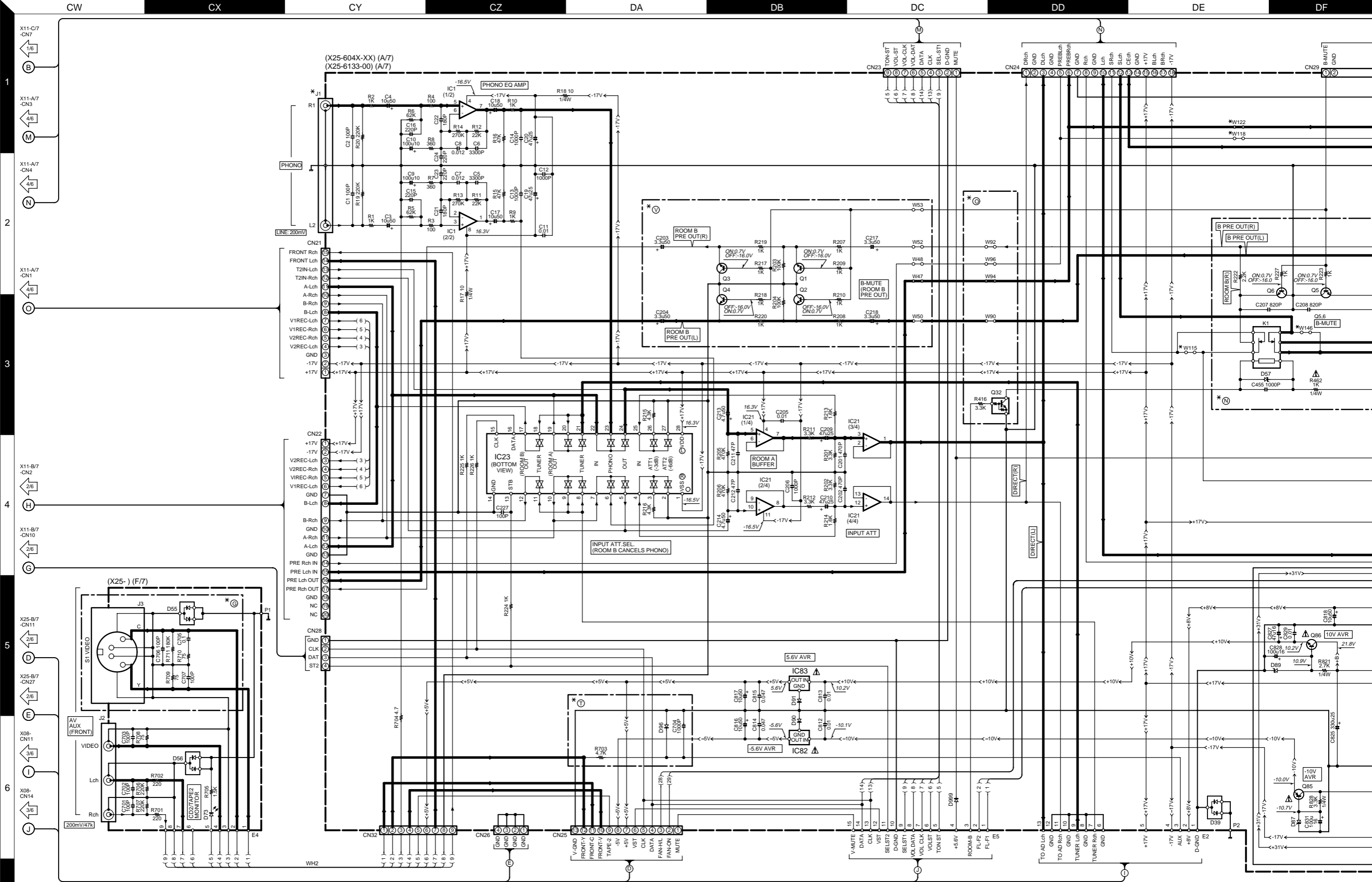


VR-2080/2090(K) (4/6)
 KRF-V7771D/V8881D(M) (4/6)

KRF-V7771D/V8881D/VR-2080/2090

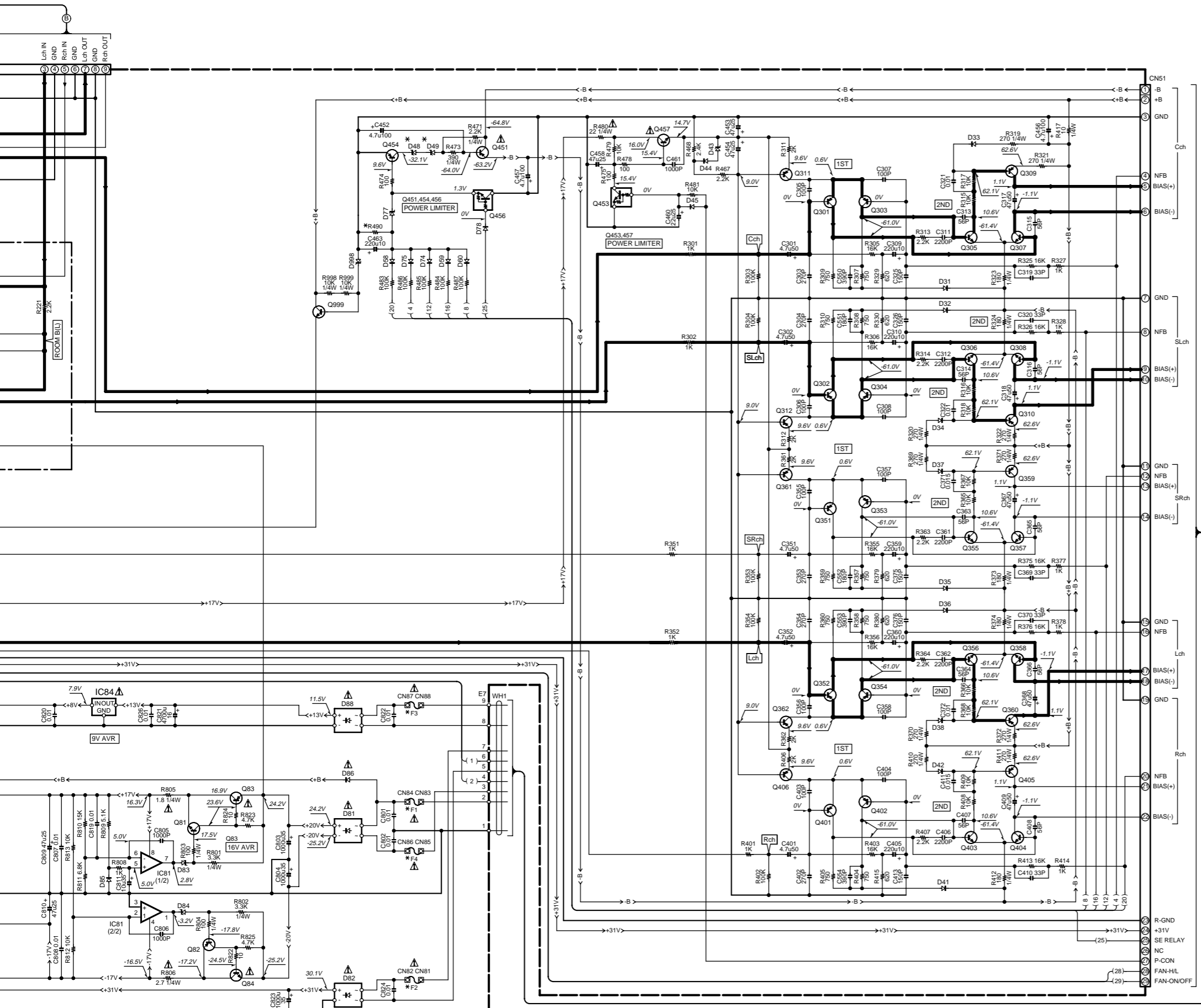
Y05-3570-10

KENWOOD



CAUTION: For continued safety, replace safety critical components only with manufacturer's recommended parts (refer to parts list). Δ indicates safety critical components. For continued protection against risk of fire, replace only with same type and rating fuse(s). To reduce the risk of electric shock, leakage-current or resistance measurements shall be carried out (exposed parts are acceptably insulated from the supply circuit) before the appliance is returned to the customer.

The DC voltage is an actual reading measured with a high impedance type voltmeter with no signal input. The measurement value may vary depending on the measuring instruments used or on the product.



- IC1 : NJM4580ED
- IC21 : NJM2058D
- IC23 : TC9162AF
- IC81 : NJM4558D
- IC82 : TA79005S or uPC7905AHF
- IC83 : TA7805S or uPC7805AHF
- IC84 : SI-3082V
- Q1-6,17 : 2SC4213(B)
- Q32 : UN5219 or DTC113ZUA
- Q81 : 2SC2458(Y,GR) or 2SC3311A(Q,R)
- Q82 : 2SA1048(Y,GR) or 2SA1309A(Q,R)
- Q83,85 : 2SB1370
- Q84,86 : 2SD2061
- Q301-304,351-354,401,402, 403,404 : 2SA992(F,E)
- Q305-308,355-358,403,404 : 2SC2631(R,S)
- Q309,310,359,360,405 : 2SA1123(R,S)
- Q311,312,361,362,406 : 2SA1586(Y,GR)
- Q451 : 2SA1535(R,S)
- Q453,456 : UN5212 or DTC124EUA
- Q454 : 2SA1611(M5,M6)
- Q457 : 2SC4177(L5,L6)
- Q999 : 2SC3244
- D31-38,41,42 : 1SS133 or HSS104
- D39,55,56 : DA204K
- D43,77,85 : RD5.1J(S,B2) or HZS5.1S(B2)
- D44,45,58,60,74,75, 78,90,91,96,999 : MA111
- D57 : RD24ES(B) or HZS24N(B)
- D48,49 : *
- D73 : B30-2493-05
- D81,82 : 1B4B41
- D83,84,998 : RD15ES(B) or HZS15N(B)
- D86 : S5688B
- D87,89 : RD11JS(B) or HZS11N(B)
- D88 : D3SBA20F03

VR-2080 (X25-6040-10)

DESTINATION	UNIT No.	F1,4	F2,3	D48	D49	R490	W118, 122	W115, 146
COUNTRY	ABB							
U.S.A.	K2	F50-0067-05	F50-0068-05	RD18ES(B) or HZS18N(B)	RD10JS(B2) or HZS10N(B2)	18K	NO	YES
CANADA	PT	NO						

KRF-V7771D (X25-6XXX-XX)

DESTINATION	UNIT No.	F1,4	F2,3	D48	D49	R490	W118, 122	W115, 146		
COUNTRY	ABB									
JAPAN	J	040-01	YES	F50-0067-05	F50-0068-05	RD13ES(B) or HZS13N(B)	RD11ES(B) or HZS11N(B)	24K	NO	YES
PX	Y1	042-91	NO	NO						
GENERAL MARKET	M1	040-21	YES	F05-1222-05	F05-1623-05	RD18ES(B) or HZS18N(B)	RD10JS(B2) or HZS10N(B2)	18K		
CHINA	C1									
CHINA	C1	133-00								

VR-2090 (X25-6040-11)

DESTINATION	UNIT No.	F1,4	F2,3	D48	D49	R490	W118, 122	W115, 146
COUNTRY	ABB							
U.S.A.	K2	F50-0067-05	F50-0068-05	RD18ES(B) or HZS18N(B)	RD10JS(B2) or HZS10N(B2)	18K	YES	NO
CANADA	P2							

KRF-V8881D (X25-6XXX-XX)

DESTINATION	UNIT No.	F1,4	F2,3	D48	D49	R490	W118, 122	W115, 146		
COUNTRY	ABB									
GENERAL MARKET	M2	040-22	YES	F05-1222-05	F05-1623-05	RD16ES(B2) or HZS16N(B2)	RD15ES(B2) or HZS15N(B2)	22K	NO	YES
CHINA	C2									
CHINA	C2	133-01								

KRF-V7771D/V8881D/VR-2080/2090

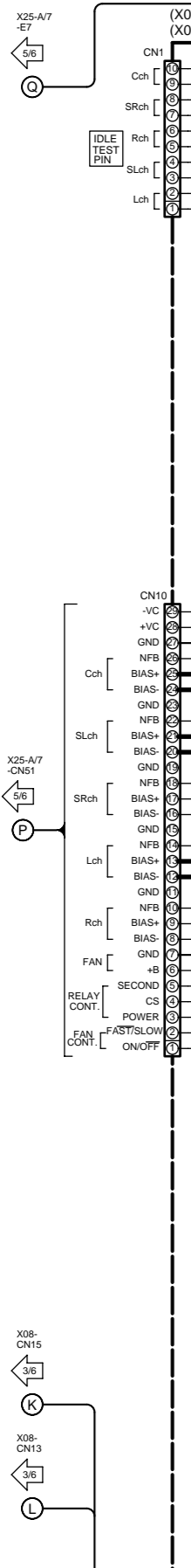
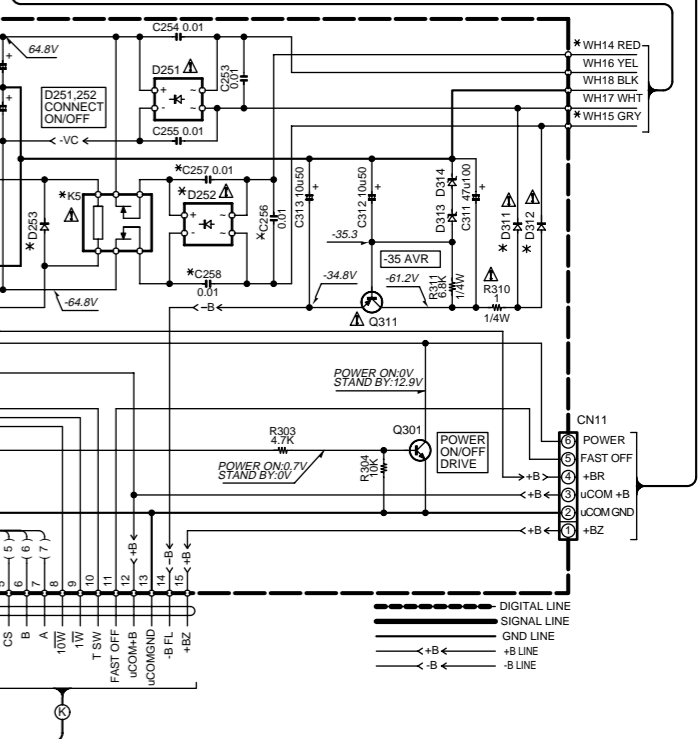
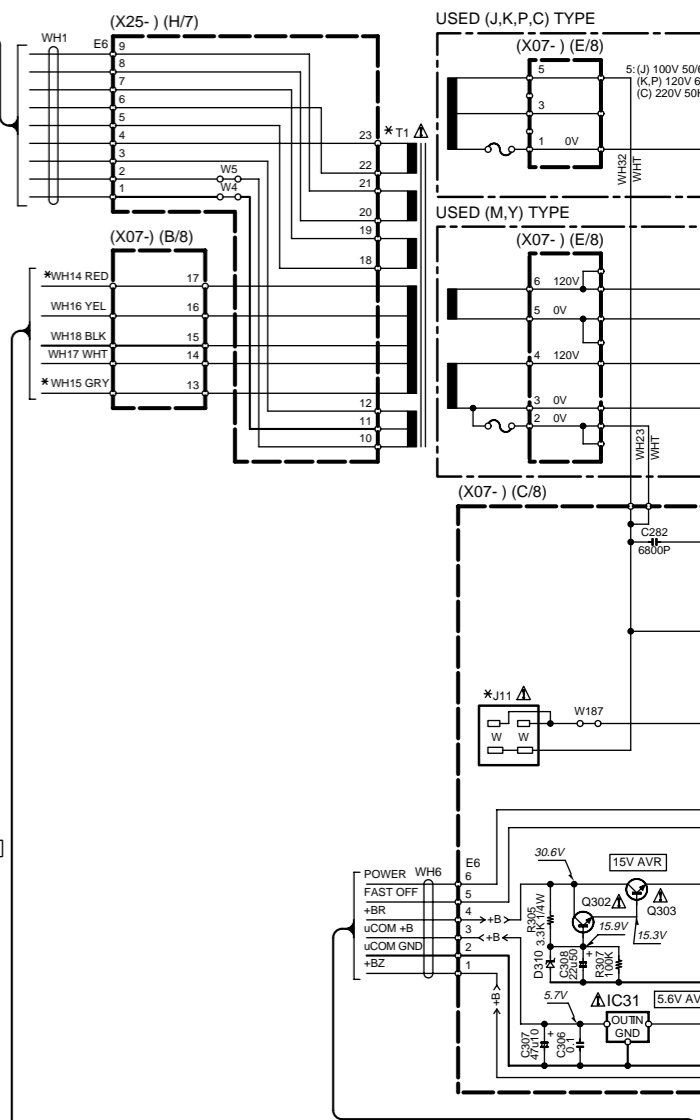
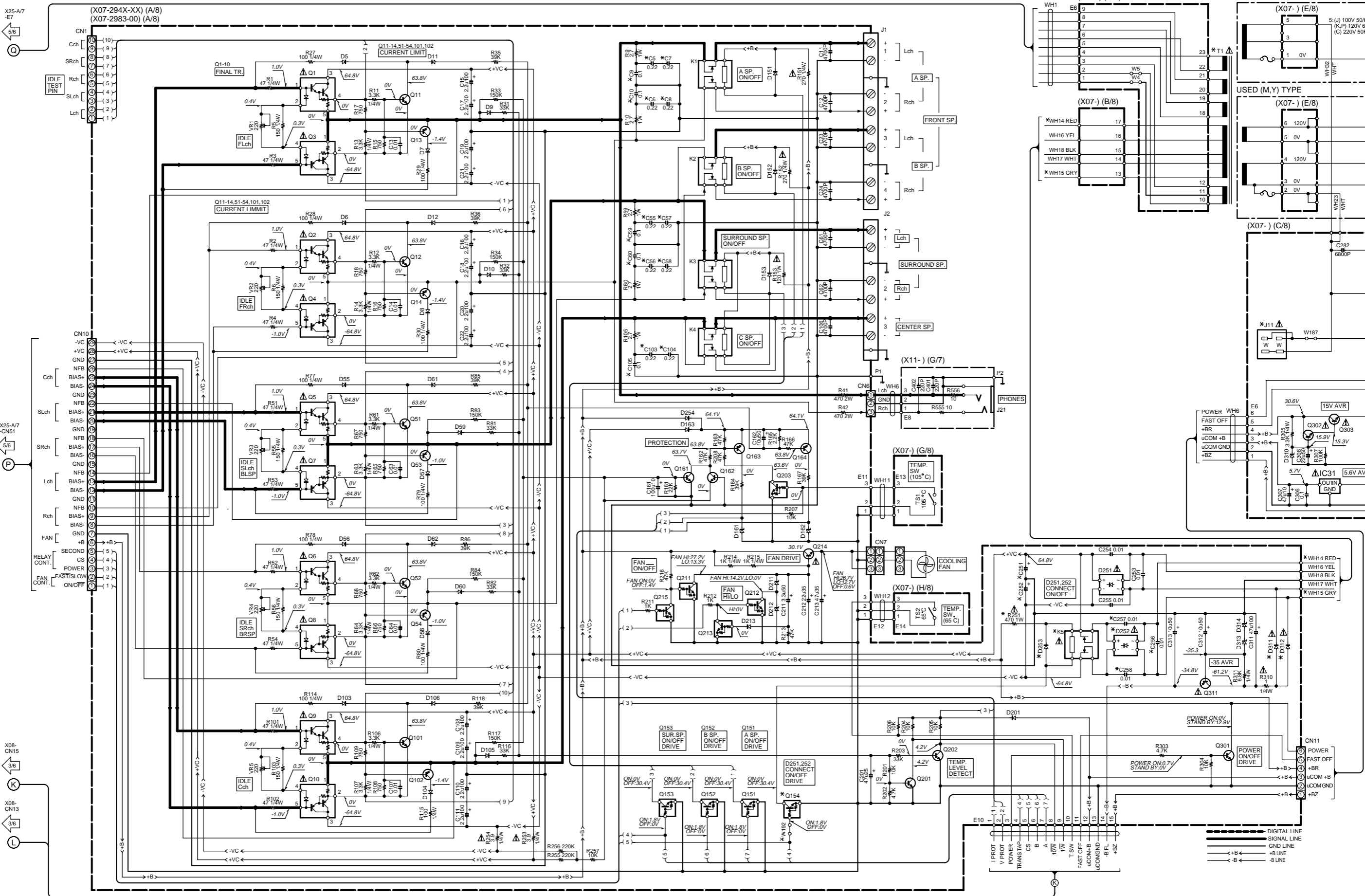
Y05-3570-10

KENWOOD

VR-2080/2090(K) (5/6)
KRF-V7771D/V8881D(M) (5/6)

X07-A8
-CN10
6/6

X07-B8
-E6
6/6



1
2
3
4
5
6
7

VR-2080 (X07-2940-10)

DESTINATION	UNIT No.	C5-8,55-58,103,104,256-258,283	C9,10,59,60,105	C251,252	R251	R281	Q154	D252,253,312	D311	K5	F5	F6	CN23,24	W183,189	W192	WH14,15	J11	T1	Ⓢ	
COUNTRY	ABB	U.S.A. K	NO	NO	NO	NO	NO	NO	NO	NO	NO	NO	NO	NO	NO	NO	NO	E03-0148-05	L07-2320-05	NO
CANADA	P2	40-10	NO	YES	8200u73	NO	NO	NO	NO	NO	NO	NO	NO	NO	NO	NO	NO	E03-0148-05	L07-2320-05	NO

VR-2090 (X07-2940-10)

DESTINATION	UNIT No.	C5-8,55-58,103,104,256-258,283	C9,10,59,60,105	C251,252	R251	R281	Q154	D252,253,312	D311	K5	F5	F6	CN23,24	W183,189	W192	WH14,15	J11	T1	Ⓢ	
COUNTRY	ABB	U.S.A. K	NO	NO	NO	NO	NO	NO	NO	NO	NO	NO	NO	NO	NO	NO	NO	E03-0148-05	L07-2321-05	YES
CANADA	P2	40-10	NO	YES	8200u73	NO	NO	NO	NO	NO	NO	NO	NO	NO	NO	NO	NO	E03-0148-05	L07-2321-05	NO

KRF-V8881D (X07-29XX-XX)

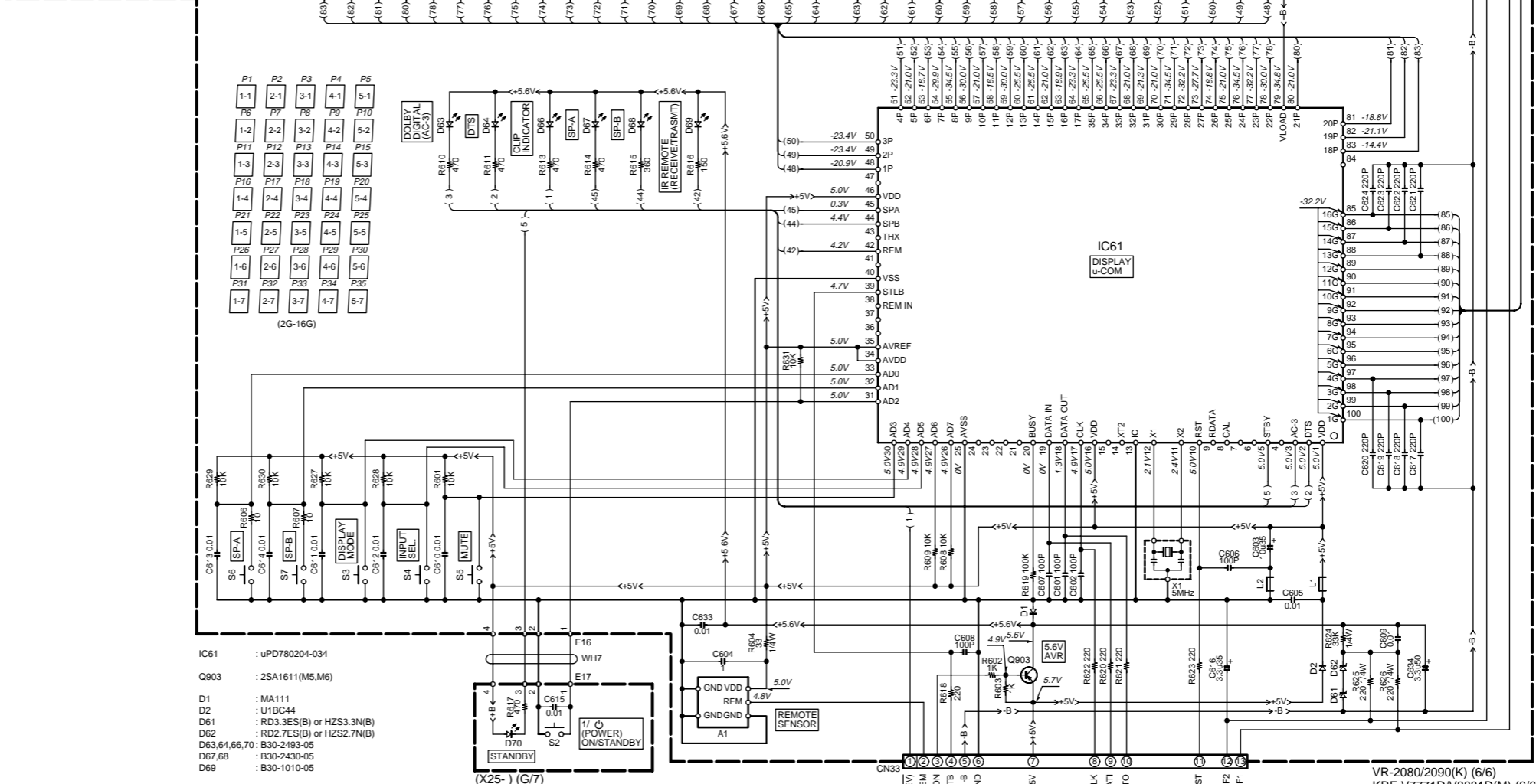
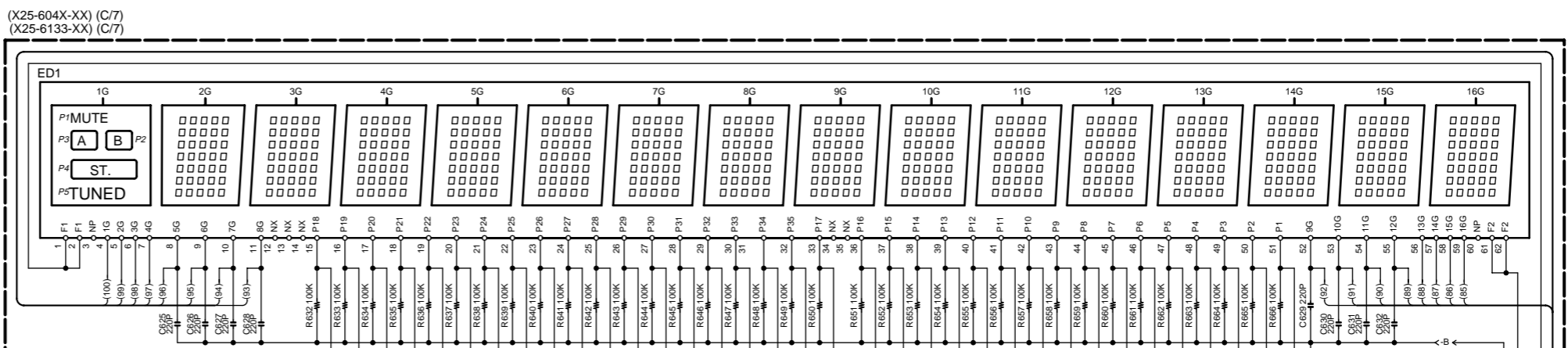
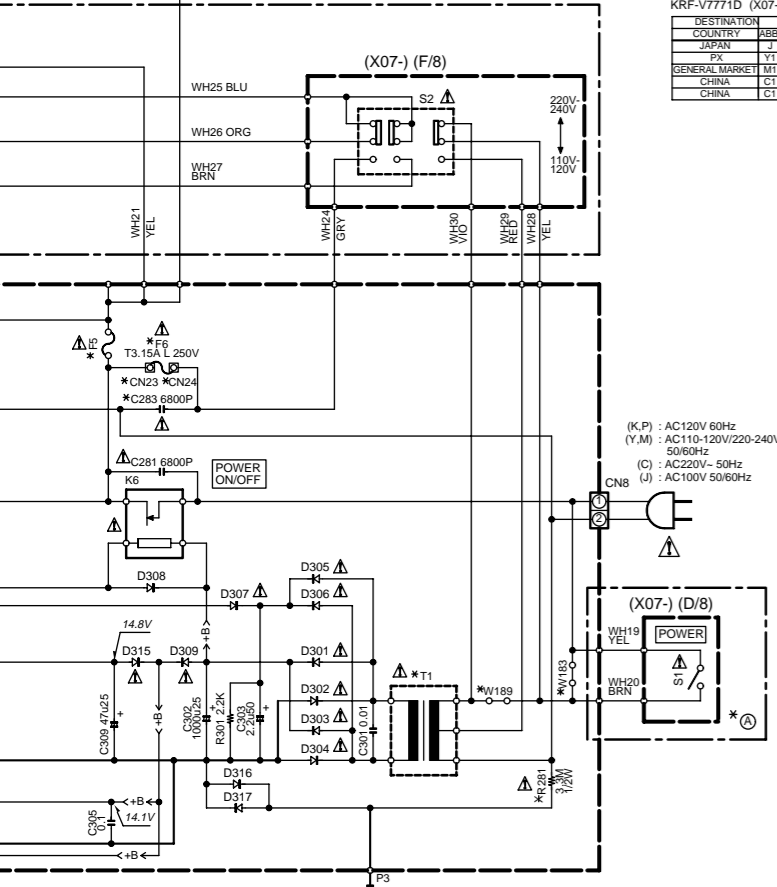
DESTINATION	UNIT No.	C5-8,55-58,103,104,256-258	C9,10,59,60,105	C251,252	C256-258	C283	R251	R281	Q154	D252,253,312	D311	K5	F5	F6	CN23,24	W183	W189	W192	WH14,15	J11	T1	Ⓢ	
COUNTRY	ABB	U.S.A. K	NO	NO	NO	NO	NO	NO	NO	NO	NO	NO	NO	NO	NO	NO	NO	NO	NO	NO	E03-0148-05	L07-2321-05	YES
GENERAL MARKET	M2	40-21	NO	NO	NO	NO	NO	NO	NO	NO	NO	NO	NO	NO	NO	NO	NO	NO	NO	NO	E03-0148-05	L07-2321-05	NO
CHINA	C2	40-21	YES	NO	8200u73	YES	YES	NO	YES	YES	NO	YES	T3,15A L 250V	YES	YES	NO	NO	YES	YES	YES	E03-0361-05	L07-2322-05	YES
CHINA	C2	83-00	NO	NO	NO	NO	NO	NO	NO	NO	NO	NO	NO	NO	NO	NO	NO	NO	NO	NO	E03-0361-05	L07-2322-05	NO
CHINA	C1	83-00	NO	NO	NO	NO	NO	NO	NO	NO	NO	NO	NO	NO	NO	NO	NO	NO	NO	NO	E03-0361-05	L07-2322-05	YES

KRF-V7771D (X07-29XX-XX)

DESTINATION	UNIT No.	C5-8,55-58,103,104,256-258	C9,10,59,60,105	C251,252	C256-258	C283	R251	R281	Q154	D252,253,312	D311	K5	F5	F6	CN23,24	W183	W189	W192	WH14,15	J11	T1	Ⓢ	
COUNTRY	ABB	JAPAN J	NO	NO	NO	NO	NO	NO	NO	NO	NO	NO	NO	NO	NO	NO	NO	NO	NO	NO	E03-0148-05	L07-2323-05	YES
GENERAL MARKET	M1	40-21	NO	NO	NO	NO	NO	NO	NO	NO	NO	NO	NO	NO	NO	NO	NO	NO	NO	NO	E03-0148-05	L07-2321-05	NO
CHINA	C1	40-21	YES	NO	8200u73	YES	YES	NO	YES	YES	NO	YES	T3,15A L 250V	YES	YES	NO	NO	YES	YES	YES	E03-0148-05	L07-2321-05	NO
CHINA	C1	83-00	NO	NO	NO	NO	NO	NO	NO	NO	NO	NO	NO	NO	NO	NO	NO	NO	NO	NO	E03-0361-05	L07-2322-05	YES

CAUTION: For continued safety, replace safety critical components only with manufacturer's recommended parts (refer to parts list). Ⓢ indicates safety critical components. For continued protection against risk of fire, replace only with same type and rating fuse(s). To reduce the risk of electric shock, leakage-current or resistance measurements shall be carried out (exposed parts are acceptably insulated from the supply circuit) before the appliance is returned to the customer.

The DC voltage is an actual reading measured with a high impedance type voltmeter with no signal input. The measurement value may vary depending on the measuring instruments used or on the product.



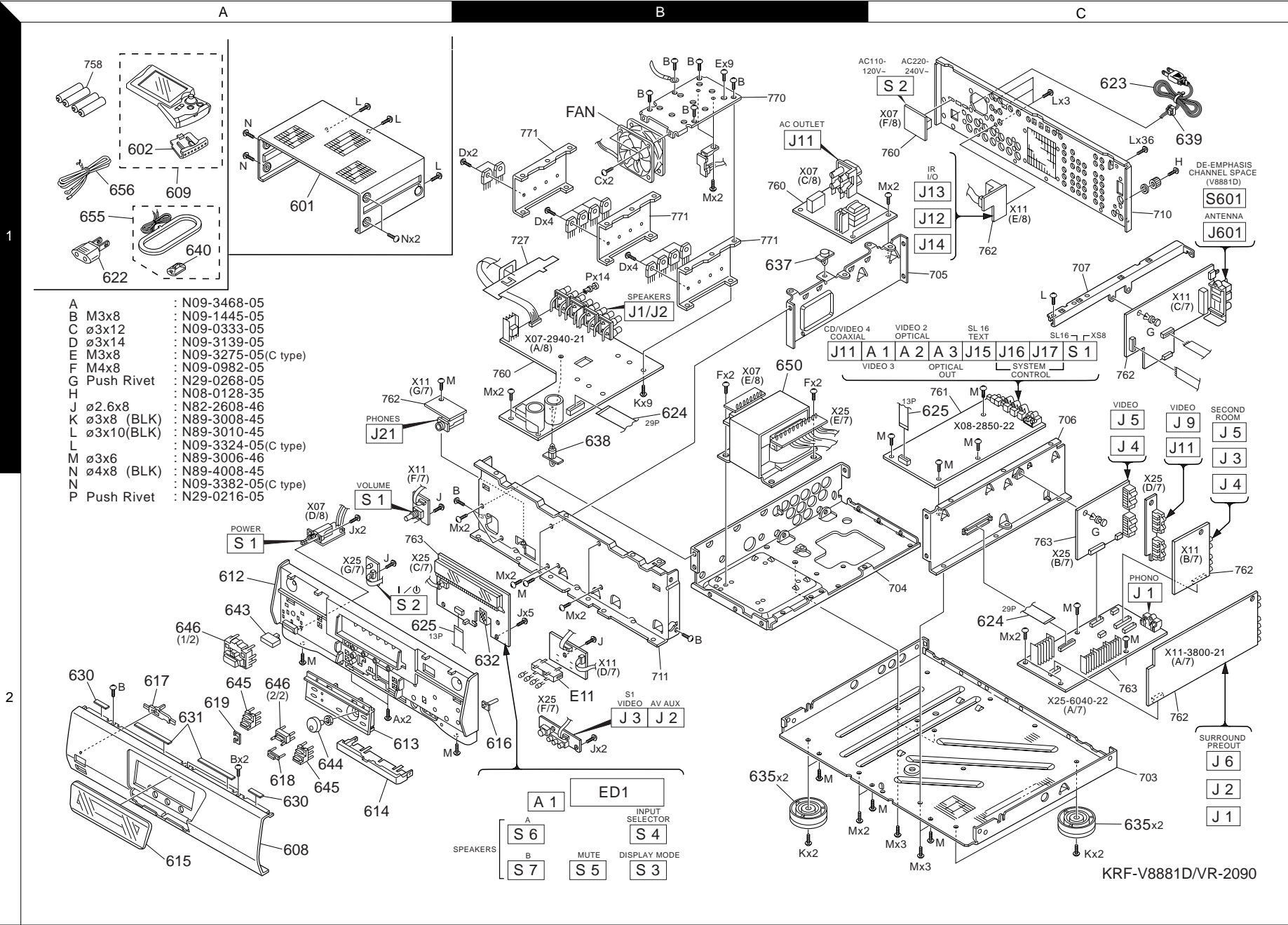
- IC31 : TA78057S
- Q1,2,5,6,9 : TRAIT5N * 5
- Q3,4,7,8,10 : TRAIT5P * 5
- Q11,12,51,52,101 : 2SC2631(R,S)
- Q13,14,53,54,102,163,164 : 2SA992(F,E)
- Q151-154,211,212 : UN4219 or DTC1132SA
- Q161,162 : 2SC1845(F,E)
- Q201,202,302 : 2SC2458(Y,GR) or 2SC3311A(Q,R)
- Q203,213,215 : UN4212 or DTC124ESA
- Q214,303 : 2SD2012 or 2SD2061
- Q301 : 2SC2003(L,K)
- Q311 : 2SB1375 or 2SB1370
- D5-12,55-62,103-106,151-153,163,201,213,253,254,305-308,316,317 : 1SS131 or HSS104A
- D161,162 : RD4.7E5(B) or HZS4.7N(B)
- D211 : RD13E5(B2) or HZS13N(B2)
- D212 : RD15E5(B) or HZS15N(B)
- D251 : RBV-1506LFA
- D252 : RBA-1002 or D10XB20F03
- D301-304,309,311,312,315 : S5688B or ISR139-400
- D310 : RD16E5(B2) or HZS16N(B2)
- D313,314 : RD18E5(B2) or HZS18N(B)

- IC61 : uPD780204-034
- Q903 : 2SA1611(M5,M6)
- D1 : MA111
- D2 : U1BC44
- D61 : RD3.3E5(B) or HZS3.3N(B)
- D62 : RD2.7E5(B) or HZS2.7N(B)
- D63,64,66,70 : B30-2493-05
- D67,68 : B30-2430-05
- D69 : B30-1010-05

KRF-V7771D/V8881D/VR-2080/2090

Y05-3570-10

KENWOOD



EXPLODED VIEW(UNIT)

KRF-V7771D/V8881D/VR-2080/2090

KRF-V8881D/VR-2090

* New Parts
Parts without **Parts No.** are not supplied.
Les articles non mentionnés dans le **Parts No.** ne sont pas fournis.
Teile ohne **Parts No.** werden nicht geliefert.

1

Ref. No	Add-ress	New Parts	Parts No.	Description	Desti-nation	Re-marks
KRF-V7771D/V8881D/VR-2080/2090						
601	1A	*	A01-3525-11	METALLIC CABINET	KP1Y1	
601	1A	*	A01-3525-11	METALLIC CABINET	K2P2M2	
601	1A	*	A01-3525-11	METALLIC CABINET	M1	
601	1A	*	A01-3527-11	METALLIC CABINET	C1C2	
602	1A	*	A09-0378-08	BATTERY COVER		
608	2A	*	A60-1310-12	PANEL	K2P2	
608	2A	*	A60-1311-22	PANEL	M2	
608	2A	*	A60-1312-22	PANEL	C2	
608	2A	*	A60-1326-12	PANEL	KP1	
608	2A	*	A60-1327-22	PANEL	M1	
608	2A	*	A60-1329-12	PANEL	C1	
608	2A	*	A60-1400-12	PANEL	Y1	
609	1A	*	A70-1191-05	REMOTE CONTROLLER ASSY		
612	2A	*	B01-0533-21	PANEL ESCUTCHEON	K2P2M2	
612	2A	*	B01-0533-21	PANEL ESCUTCHEON	M1	
612	2A	*	B01-0534-21	PANEL ESCUTCHEON	C1	
612	2A	*	B01-0534-21	PANEL ESCUTCHEON	C1C2	
612	2A	*	B01-0536-11	PANEL ESCUTCHEON	KP1Y1	
613	2A	*	B07-2396-12	ESCUTCHEON	KP1Y1	
613	2A	*	B07-2396-12	ESCUTCHEON	K2P2M2	
613	2A	*	B07-2396-12	ESCUTCHEON	M1	
613	2A	*	B07-2397-12	ESCUTCHEON	C1C2	
614	2A	*	B10-2418-03	FRONT GLASS		
615	2A	*	B10-2451-03	FRONT GLASS		
616	2B	*	B12-0303-24	INDICATOR		
617	2A	*	B12-0326-04	INDICATOR		
618	2A	*	B12-0331-04	INDICATOR		
619	2A	*	B12-0333-04	INDICATOR		
-			B46-0197-00	QUESTIONNAIRE CARD	KK2	
-			B46-0326-03	WARRANTY CARD	C1C2	
-			B46-0330-03	WARRANTY CARD	KK2Y1	
-			B46-0336-03	WARRANTY CARD	P1P2	
-			B58-0513-04	CAUTION CARD (PRESET220-240)	Y1	
-			B58-0964-13	CAUTION CARD	KK2Y1	
-			B58-0966-13	CAUTION CARD	M1M2	
-			B58-0967-03	CAUTION CARD	P1P2	
-			B58-1546-03	CAUTION CARD	C1C2	
-			B59-1104-00	SERVICE DIRECTORY	Y1	
-		*	B59-1200-00	SUB-INSTRUCTION MANUAL	KP1Y1	
-		*	B59-1200-00	SUB-INSTRUCTION MANUAL	K2P2	
-		*	B59-1401-00	SUB-INSTRUCTION MANUAL	M1C1	
-		*	B59-1401-00	SUB-INSTRUCTION MANUAL	M2C2	
-		*	B59-1404-03	CATALOG	KP1	
-		*	B59-1404-03	CATALOG	K2P2	
-		*	B59-1405-00	GUIDE BOOK	KK2	
-		*	B60-3576-00	INSTRUCTION MANUAL(ENG)		
-		*	B60-3579-00	INSTRUCTION MANUAL(FRN)	P1P2	
-		*	B60-3581-00	INSTRUCTION MANUAL(CHINA)	C1C2	
-		*	B60-3755-00	INSTRUCTION MANUAL(SPANISH)	M1M2	
-		*	B60-3756-00	INSTRUCTION MANUAL(TAIWANESE)	M1M2	
△ 622	1A		E03-0115-05	AC PLUG ADAPTER	M1M2	
△ 623	1C		E30-2787-05	AC POWER CORD	KP1	

L : Scandinavia K : USA P : Canada R : Mexico C : China I : Malaysia
Y : PX(Far East, Hawaii) T : Europe E : Europe G : Germany V : China (Shanghai)
Y : AAFES(Europe) X : Australia Q : Russia H : Korea M : Other Areas △ indicates safety critical components.

* New Parts
Parts without **Parts No.** are not supplied.
Les articles non mentionnés dans le **Parts No.** ne sont pas fournis.
Teile ohne **Parts No.** werden nicht geliefert.

2

Ref. No	Add-ress	New Parts	Parts No.	Description	Desti-nation	Re-marks
△ 623	1C		E30-2787-05	AC POWER CORD	K2P2	
△ 623	1C		E30-2788-05	AC POWER CORD	M1M2	
△ 623	1C		E30-2789-05	AC POWER CORD	Y1	
△ 623	1C		E30-2867-05	AC POWER CORD	C1C2	
624	1B,2C	*	E35-2056-05	FLAT CABLE 29P		
625	2A,1C	*	E35-2057-05	FLAT CABLE 13P		
630	2A		G11-0155-14	SOFT TAPE (40X9X2)		
631	2A		G11-0185-04	SOFT TAPE (120X5X2)		
632	2B		G11-2405-04	SOFT TAPE		
-		*	H10-7416-02	POLYSTYRENE FOAMED FIXTURE		
-		*	H10-7417-12	POLYSTYRENE FOAMED FIXTURE		
-		*	H11-0094-04	POLYSTYRENE FOAMED BOARD		
-		*	H25-0232-04	PROTECTION BAG (235X350X0.03)		
-		*	H25-0661-04	PROTECTION BAG		
-		*	H50-2709-04	ITEM CARTON CASE	K2P2	
-		*	H50-2711-04	ITEM CARTON CASE	M2	
-		*	H50-2712-04	ITEM CARTON CASE	C2	
-		*	H50-2736-04	ITEM CARTON CASE	KP1	
-		*	H50-2737-04	ITEM CARTON CASE	Y1	
-		*	H50-2738-04	ITEM CARTON CASE	M1	
-		*	H50-2739-04	ITEM CARTON CASE	C1	
635	2B,2C		J02-1170-03	FOOT	C1C2	
635	2B,2C		J02-1404-13	FOOT (D=46,H=18.5,T)	KP1Y1	
635	2B,2C	*	J02-1404-13	FOOT (D=46,H=18.5,T)	K2P2M2	
635	2B,2C		J02-1404-13	FOOT (D=46,H=18.5,T)	M1	
637	1B		J19-3300-05	UNIT HOLDER		
638	1B		J19-3324-15	UNIT HOLDER		
639	1C		J42-0083-05	POWER CORD BUSHING		
640	1A		J19-3645-05	LOOP ANTENNA STAND		
-			J61-0098-05	WIRE BAND		
643	2A	*	K27-2248-04	KNOB (BUTTON)	M1M2	
643	2A	*	K27-2260-04	KNOB (BUTTON)	C1C2	
644	2A	*	K29-6852-04	KNOB	KP1Y1	
644	2A	*	K29-6852-04	KNOB	K2P2M2	
644	2A	*	K29-6852-04	KNOB	M1	
644	2A	*	K29-6853-04	KNOB	C1C2	
645	2A	*	K29-6855-03	KNOB	KP1Y1	
645	2A	*	K29-6855-03	KNOB	K2P2M2	
645	2A	*	K29-6855-03	KNOB	M1	
645	2A	*	K29-6856-03	KNOB	C1C2	
646	2A	*	K29-6858-12	KNOB	KP1Y1	
646	2A	*	K29-6858-12	KNOB	K2P2M2	
646	2A	*	K29-6858-12	KNOB	M1	
646	2A	*	K29-6859-12	KNOB	C2	
△ 650	1B	*	L07-2463-15	POWER TRANSFORMER	KP1	
△ 650	1B	*	L07-2463-15	POWER TRANSFORMER	K2P2	
△ 650	1B	*	L07-2464-15	POWER TRANSFORMER	M2	
△ 650	1B	*	L07-2465-15	POWER TRANSFORMER	C2	
△ 650	1B	*	L07-2511-05	POWER TRANSFORMER	Y1	
△ 650	1B	*	L07-2513-15	POWER TRANSFORMER	M1	
△ 650	1B	*	L07-2514-05	POWER TRANSFORMER	C1	
655	1A		T90-0833-05	LOOP ANTENNA		
656	1A		T90-0835-05	LEAD WIRE ANTENNA		

L : Scandinavia K : USA P : Canada R : Mexico C : China I : Malaysia
Y : PX(Far East, Hawaii) T : Europe E : Europe G : Germany V : China (Shanghai)
Y : AAFES(Europe) X : Australia Q : Russia H : Korea M : Other Areas △ indicates safety critical components.

* New Parts
Parts without **Parts No.** are not supplied.
Les articles non mentionnés dans le **Parts No.** ne sont pas fournis.
Teile ohne **Parts No.** werden nicht geliefert.

③

Ref. No	Address	New Parts	Parts No.	Description	Destination	Remarks
POWER (X07-2940-10/X07-2983-00)						
C5 -8 C5 -8 C9 ,10 C9 ,10 C11 ,12			CF92FV1H224J CF92FV1H224J CF92FV1H104J CF92FV1H104J CQ93FMG1H472J	MF-C 0.22UF J MF-C 0.22UF J MF-C 0.10UF J MF-C 0.10UF J MYLAR 4700PF J	M2C2 Y1M1C1 KP1 K2P2	
C13 ,14 C15 -22 C23 ,24 C55 -58 C55 -58			CK45FF1H103ZMU CE04KW2A2R2M CQ93FMG1H472J CF92FV1H224J CF92FV1H224J	CERAMIC 0.010UF Z ELECTRO 2.2UF 100WV MYLAR 4700PF J MF-C 0.22UF J MF-C 0.22UF J	M2C2 Y1M1C1	
C59 ,60 C59 ,60 C61 ,62 C63 ,64 C103,104			CF92FV1H104J CF92FV1H104J CQ93FMG1H472J CK45FF1H103ZMU CF92FV1H224J	MF-C 0.10UF J MF-C 0.10UF J MYLAR 4700PF J CERAMIC 0.010UF Z MF-C 0.22UF J	KP1 K2P2	
C103,104 C105 C105 C106 C107			CF92FV1H224J CF92FV1H104J CF92FV1H104J CQ93FMG1H472J CK45FF1H103ZMU	MF-C 0.22UF J MF-C 0.10UF J MF-C 0.10UF J MYLAR 4700PF J CERAMIC 0.010UF Z	M2C2 Y1M1C1 KP1 K2P2	
C108-111 C161 C162 C201 C211			CE04KW2A2R2M CE04KW1A101M CE04KW1H100M CE04KW1E470M CE04KW1H3R3M	ELECTRO 2.2UF 100WV ELECTRO 100UF 10WV ELECTRO 10UF 50WV ELECTRO 47UF 25WV ELECTRO 3.3UF 50WV		
C212 C213 C251,252 C253-255 C256-258		*	CE04KW1V220M CE04KW1V470M C90-3751-05 CK45FE2H103PMM CK45FE2H103PMM	ELECTRO 22UF 35WV ELECTRO 47UF 35WV ELECTRO 8200UF 73WV CERAMIC 0.010UF P CERAMIC 0.010UF P	M2C2	
C256-258 C281,282 C283 C301 C302			CK45FE2H103PMM C91-1488-05 C91-1488-05 CK45FF1H103ZMU CE04KW1E102M	CERAMIC 0.010UF P MF 6800PF 250VAC MF 6800PF 250VAC CERAMIC 0.010UF Z ELECTRO 1000UF 25WV	Y1M1C1 Y1M1M2	
C303 C305,306 C307 C308 C309			CE04KW1H2R2M CF92FV1H104J CE04KW1A470M CE04KW1H220M CE04KW1E470M	ELECTRO 2.2UF 50WV MF-C 0.10UF J ELECTRO 47UF 10WV ELECTRO 22UF 50WV ELECTRO 47UF 25WV		
C311 C312,313			CE04KW2A470M CE04KW1H100M	ELECTRO 47UF 100WV ELECTRO 10UF 50WV		
CN1 CN6 CN7 CN8 CN10		*	E40-4879-05 E40-4293-05 E40-3247-05 E40-4245-05 E40-4916-05	PIN ASSY FLAT CABLE CONNECTOR PIN ASSY PIN ASSY FLAT CABLE CONNECTOR		
CN11 J1 J2 J11 J11	1B 1B 1B 1B	*	E40-4296-05 E70-0095-05 E70-0096-05 E03-0148-05 E03-0148-05	FLAT CABLE CONNECTOR SCREW TERMINAL BOARD 8P SCREW TERMINAL BOARD 6P AC OUTLET AC OUTLET	KP1Y1 K2P2	

L : Scandinavia K : USA P : Canada R : Mexico C : China I : Malaysia
Y : PX(Far East, Hawaii) T : Europe E : Europe G : Germany V : China (Shanghai)
Y : AAFES(Europe) X : Australia Q : Russia H : Korea M : Other Areas Δ indicates safety critical components.

* New Parts
Parts without **Parts No.** are not supplied.
Les articles non mentionnés dans le **Parts No.** ne sont pas fournis.
Teile ohne **Parts No.** werden nicht geliefert.

④

Ref. No	Address	New Parts	Parts No.	Description	Destination	Remarks
Δ J11 Δ J11 P1	1B 1B		E03-0149-05 E03-0361-05 E29-1625-04	AC OUTLET AC OUTLET LEAD PLATE	M1M2 C1C2	
Δ F5 Δ F5 Δ F5 Δ F5 Δ F6			F05-3121-05 F05-3121-05 F50-0077-05 F50-0077-05 F05-3121-05	FUSE (SEMKO) (250V T3.15AL) FUSE (SEMKO) (250V T3.15AL) FUSE(5X20) FUSE(5X20) FUSE (SEMKO) (250V T3.15AL)	C1C2 Y1M1M2 KP1 K2P2 Y1M1M2	
FAN	1B	*	F09-0139-05	FAN		
CN21,22 CN23,24 E21 E22 ,23		*	J13-0075-05 J13-0075-05 J11-0808-05 J11-0831-05	FUSE CLIP FUSE CLIP WIRE CLAMPER WIRE CLAMPER	Y1M1M2	
Δ T1 Δ T1 Δ T1 Δ T1			L07-2320-05 L07-2320-05 L07-2321-05 L07-2322-05	POWER TRANSFORMER POWER TRANSFORMER POWER TRANSFORMER POWER TRANSFORMER	KP1 K2P2 Y1M1M2 C1C2	
R1 -4 R5 ,6 R9 ,10 R11 -14 R27 -30			RD14NB2E470J RD14NB2E151J RS14KB3A2R7JFR RD14NB2E332J RD14NB2E101J	RD 47 J 1/4W RD 150 J 1/4W FL-PROOF RS 2.7 J 1W RD 3.3K J 1/4W RD 100 J 1/4W		
R41 ,42 R51 -54 R55 ,56 R59 ,60 R61 -64			RS14KB3D471JFR RD14NB2E470J RD14NB2E151J RS14KB3A2R7JFR RD14NB2E332J	FL-PROOF RS 470 J 2W RD 47 J 1/4W RD 150 J 1/4W FL-PROOF RS 2.7 J 1W RD 3.3K J 1/4W		
R77 -80 R101,102 R103 R105 R106,107			RD14NB2E101J RD14NB2E470J RD14NB2E151J RS14KB3A2R7JFR RD14NB2E332J	RD 100 J 1/4W RD 47 J 1/4W RD 150 J 1/4W FL-PROOF RS 2.7 J 1W RD 3.3K J 1/4W		
R114,115 R151,152 Δ R153 Δ R214,215 Δ R251		*	RD14NB2E101J RD14NB2E271J RS14KB3A121JFR RD14NB2E102J RS14KB3A471JFR	RD 100 J 1/4W RD 270 J 1/4W FL-PROOF RS 120 J 1W RD 1.0K J 1/4W FL-PROOF RS 470 J 1W	M2C2	
Δ R251 Δ R253,254 Δ R281 Δ R281 Δ R305			RS14KB3A471JFR RD14NB2E3R9J R92-1844-05 R92-1844-05 RD14NB2E332J	FL-PROOF RS 470 J 1W RD 3.9 J 1/4W CARBON 3.3M J 1/2W CARBON 3.3M J 1/2W RD 3.3K J 1/4W	Y1M1C1 KP1 K2P2	
Δ R310 R311 VR1 -5			RD14NB2E1R0J RD14NB2E682J R32-0030-05	RD 1 J 1/4W RD 6.8K J 1/4W SEMI FIXED VARIABLE RESISTOR		
Δ K1 -4 Δ K5 Δ K5 Δ K6 Δ S1		*	S76-0076-05 S76-0063-05 S76-0063-05 S76-0077-05 S40-1153-05	MAGNETIC RELAY MAGNETIC RELAY MAGNETIC RELAY MAGNETIC RELAY PUSH SWITCH POWER	M2C2 Y1M1C1	
Δ S1 Δ S2 Δ TS1	2C 1C		S40-1153-05 S31-3010-05 S79-0007-05	PUSH SWITCH POWER SLIDE SWITCH VOLTAGE THERMAL SWITCH	M2C2 Y1M1M2	

L : Scandinavia K : USA P : Canada R : Mexico C : China I : Malaysia
Y : PX(Far East, Hawaii) T : Europe E : Europe G : Germany V : China (Shanghai)
Y : AAFES(Europe) X : Australia Q : Russia H : Korea M : Other Areas Δ indicates safety critical components.

PARTS LIST

KRF-V7771D/V8881D/NR-2080/2090

* New Parts
Parts without **Parts No.** are not supplied.
Les articles non mentionnés dans le **Parts No.** ne sont pas fournis.
Teile ohne **Parts No.** werden nicht geliefert.

5

Ref. No	Add-ress	New Parts	Parts No.	Description	Desti-nation	Re-marks
TS2		*	S79-0028-05	THERMAL SWITCH		
D5 -12			HSS104A	DIODE		
D5 -12			1SS131	DIODE		
D55 -62			HSS104A	DIODE		
D55 -62			1SS131	DIODE		
D103-106			HSS104A	DIODE		
D103-106			1SS131	DIODE		
D151-153			HSS104A	DIODE		
D151-153			1SS131	DIODE		
D161,162			HZS4.7N(B)	ZENER DIODE		
D161,162			RD4.7ES(B)	ZENER DIODE		
D163			HSS104A	DIODE		
D163			1SS131	DIODE		
D201			HSS104A	DIODE		
D201			1SS131	DIODE		
D211			HZS13N(B2)	ZENER DIODE		
D211			RD13ES(B2)	ZENER DIODE		
D212			HZS15N(B)	ZENER DIODE		
D212			RD15ES(B)	ZENER DIODE		
D213			HSS104A	DIODE		
D213			1SS131	DIODE		
Δ D251		*	RBV-1506LFA	DIODE		
Δ D252		*	D10XB20F03	DIODE	M2C2	
Δ D252		*	D10XB20F03	DIODE	Y1M1C1	
Δ D252		*	RBA-1002	DIODE	M2C2	
Δ D252		*	RBA-1002	DIODE	Y1M1C1	
D253			HSS104A	DIODE	M2C2	
D253			HSS104A	DIODE	Y1M1C1	
D253			1SS131	DIODE	M2C2	
D253			1SS131	DIODE	Y1M1C1	
D254			HSS104A	DIODE	KP1	
D254			1SS131	DIODE	KP1	
Δ D301-304			S5688B	DIODE		
Δ D301-304			1SR139-400	DIODE		
Δ D305-308			HSS104A	DIODE		
Δ D305-308			1SS131	DIODE		
Δ D309			S5688B	DIODE		
Δ D309			1SR139-400	DIODE		
Δ D310			HZS16N(B2)	ZENER DIODE		
Δ D310			RD16ES(B2)	ZENER DIODE		
Δ D311			S5688B	DIODE	KP1	
Δ D311			S5688B	DIODE	K2P2	
Δ D311			1SR139-400	DIODE	KP1	
Δ D311			1SR139-400	DIODE	K2P2	
Δ D312			S5688B	DIODE	M2C2	
Δ D312			S5688B	DIODE	Y1M1C1	
Δ D312			1SR139-400	DIODE	M2C2	
Δ D312			1SR139-400	DIODE	Y1M1C1	
Δ D313,314			HZS18N(B)	ZENER DIODE		
Δ D313,314			RD18ES(B)	ZENER DIODE		
Δ D315			S5688B	DIODE		
Δ D315			1SR139-400	DIODE		
Δ D316,317			HSS104A	DIODE		
Δ D316,317			1SS131	DIODE		

L : Scandinavia K : USA P : Canada R : Mexico C : China I : Malaysia

Y : PX(Far East, Hawaii) T : Europe E : Europe G : Germany V : China (Shanghai)

Y : AAFES(Europe) X : Australia Q : Russia H : Korea M : Other Areas Δ indicates safety critical components.

* New Parts
Parts without **Parts No.** are not supplied.
Les articles non mentionnés dans le **Parts No.** ne sont pas fournis.
Teile ohne **Parts No.** werden nicht geliefert.

5

Ref. No	Add-ress	New Parts	Parts No.	Description	Desti-nation	Re-marks
Δ IC31			TA78057S	ANALOGUE IC		
Δ Q1 ,2			TRAIT5N*5	TRANSISTOR		
Δ Q3 ,4			TRAIT5P*5	TRANSISTOR		
Δ Q5 ,6			TRAIT5N*5	TRANSISTOR		
Δ Q7 ,8			TRAIT5P*5	TRANSISTOR		
Δ Q9			TRAIT5N*5	TRANSISTOR		
Δ Q10			TRAIT5P*5	TRANSISTOR		
Q11 ,12			2SC2631(R,S)	TRANSISTOR		
Q13 ,14			2SA992(F,E)	TRANSISTOR		
Q51 ,52			2SC2631(R,S)	TRANSISTOR		
Q53 ,54			2SA992(F,E)	TRANSISTOR		
Q101			2SC2631(R,S)	TRANSISTOR		
Q102			2SA992(F,E)	TRANSISTOR		
Q151-153			DTC113ZSA	DIGITAL TRANSISTOR		
Q151-153			UN4219	DIGITAL TRANSISTOR		
Q154			DTC113ZSA	DIGITAL TRANSISTOR	M2C2	
Q154			DTC113ZSA	DIGITAL TRANSISTOR	Y1M1C1	
Q154			UN4219	DIGITAL TRANSISTOR	M2C2	
Q154			UN4219	DIGITAL TRANSISTOR	Y1M1C1	
Q161,162			2SC1845(F,E)	TRANSISTOR		
Q163,164			2SA992(F,E)	TRANSISTOR		
Q201,202			2SC2458(Y,GR)	TRANSISTOR		
Q201,202			2SC331A(Q,R)	TRANSISTOR		
Q203			DTC124ESA	DIGITAL TRANSISTOR		
Q203			UN4212	DIGITAL TRANSISTOR		
Q211,212			DTC113ZSA	DIGITAL TRANSISTOR		
Q211,212			UN4219	DIGITAL TRANSISTOR		
Q213			DTC124ESA	DIGITAL TRANSISTOR		
Q213			UN4212	DIGITAL TRANSISTOR		
Δ Q214			2SD2012	TRANSISTOR		
Δ Q214			2SD2061	TRANSISTOR		
Δ Q215			DTC124ESA	DIGITAL TRANSISTOR		
Δ Q215			UN4212	DIGITAL TRANSISTOR		
Δ Q301			2SC2003(L,K)	TRANSISTOR		
Δ Q302			2SC2458(Y,GR)	TRANSISTOR		
Δ Q302			2SC331A(Q,R)	TRANSISTOR		
Δ Q303			2SD2012	TRANSISTOR		
Δ Q303			2SD2061	TRANSISTOR		
Δ Q311			2SB1370	TRANSISTOR		
Δ Q311			2SB1375	TRANSISTOR		
SURROUND (X08-2850-10/X08-2903-00)						
C401,402			CE04KW1H4R7M	ELECTRO	4.7UF	50WV
C403,404			CK73FB1H102K	CHIP C	1000PF	K
C405,406			CE04KW1H4R7M	ELECTRO	4.7UF	50WV
C415			CC73FSL1H151J	CHIP C	150PF	J
C416			CK73FB1H103K	CHIP C	0.010UF	K
C419,420			CE04KW1E470M	ELECTRO	47UF	25WV
C421,422			CK73FB1H682K	CHIP C	6800PF	K
C425,426			CK73FB1H822K	CHIP C	8200PF	K
C427,428			CC73FSL1H391J	CHIP C	390PF	J
C437			CK73FB1H103K	CHIP C	0.010UF	K
C438			CC73FSL1H151J	CHIP C	150PF	J
C441,442			CE04KW1H010M	ELECTRO	1.0UF	50WV
C443			CK73FB1H822K	CHIP C	8200PF	K
C444			CK73FB1H183K	CHIP C	0.018UF	K

L : Scandinavia K : USA P : Canada R : Mexico C : China I : Malaysia

Y : PX(Far East, Hawaii) T : Europe E : Europe G : Germany V : China (Shanghai)

Y : AAFES(Europe) X : Australia Q : Russia H : Korea M : Other Areas Δ indicates safety critical components.

* New Parts
 Parts without **Parts No.** are not supplied.
 Les articles non mentionnés dans le **Parts No.** ne sont pas fournis.
 Teile ohne **Parts No.** werden nicht geliefert.

7

Ref. No	Add-ress	New Parts	Parts No.	Description	Desti-nation	Re-marks
C445			CK73FB1H272K	CHIP C 2700PF K		
C446			CK73FB1H333K	CHIP C 0.033UF K		
C447			CK73FB1H392K	CHIP C 3900PF K		
C448			CK73FB1H333K	CHIP C 0.033UF K		
C449			CC73FSL1H330J	CHIP C 33PF J		
C450			CC73FSL1H101J	CHIP C 100PF J		
C459			CK73FB1H103K	CHIP C 0.010UF K		
C460			CC73FSL1H151J	CHIP C 150PF J		
C463,464			CE04KW1H010M	ELECTRO 1.0UF 50WV		
C465,466			CK73FB1H822K	CHIP C 8200PF K		
C467,468			CK73FB1H272K	CHIP C 2700PF K		
C469,470			CK73FB1H392K	CHIP C 3900PF K		
C471,472			CC73FSL1H330J	CHIP C 33PF J		
C481			CK73FB1H103K	CHIP C 0.010UF K		
C482			CC73FSL1H151J	CHIP C 150PF J		
C501			CK73FB1H102K	CHIP C 1000PF K		
C502			CK73FB1H103K	CHIP C 0.010UF K		
C503-507			CK73FB1E104K	CHIP C 0.10UF K		
C508			CK73FB1H102K	CHIP C 1000PF K		
C509			CK73FB1E104K	CHIP C 0.10UF K		
C510			CK73FB1H822K	CHIP C 8200PF K		
C511			CC73FCH1H220J	CHIP C 22PF J		
C513,514			CK73FB1E104K	CHIP C 0.10UF K		
C515			CE04KW1A101M	ELECTRO 100UF 10WV		
C516,517			CQ93FMG1H103J	MYLAR 0.010UF J		
C518			CE04KW1A101M	ELECTRO 100UF 10WV		
C520,521			CK73FB1E104K	CHIP C 0.10UF K		
C522,523			CC73FCH1H560J	CHIP C 56PF J		
C526-530			CK73FB1E104K	CHIP C 0.10UF K		
C531			CK73FB1H102K	CHIP C 1000PF K		
C532			CK73FB1E104K	CHIP C 0.10UF K		
C533			CK73FB1H822K	CHIP C 8200PF K		
C534			CC73FCH1H220J	CHIP C 22PF J		
C536,537			CK73FB1E104K	CHIP C 0.10UF K		
C538			CE04KW1A101M	ELECTRO 100UF 10WV		
C539,540			CQ93FMG1H103J	MYLAR 0.010UF J		
C541			CE04KW1A101M	ELECTRO 100UF 10WV		
C543			CK73FB1E104K	CHIP C 0.10UF K		
C547-551			CK73FB1E104K	CHIP C 0.10UF K		
C552			CK73FB1H102K	CHIP C 1000PF K		
C553			CK73FB1E104K	CHIP C 0.10UF K		
C554			CC73FB1H822K	CHIP C 8200PF K		
C556-558			CK73FB1E104K	CHIP C 0.10UF K		
C559			CK73FB1H103K	CHIP C 0.010UF K		
C560			CC73FCH1H220J	CHIP C 22PF J		
C561			CC73FCH1H330J	CHIP C 33PF J		
C567			CE04KW1A101M	ELECTRO 100UF 10WV		
C568,569			CQ93FMG1H103J	MYLAR 0.010UF J		
C570			CE04KW1A101M	ELECTRO 100UF 10WV		
C571			CC73FCH1H100D	CHIP C 10PF D		
C572-574			CC73FCH1H470J	CHIP C 47PF J		
C575-579			CK73FB1E104K	CHIP C 0.10UF K		
C580			CK73FB1H103K	CHIP C 0.010UF K		
C581			CK73FB1H102K	CHIP C 1000PF K		
C582			CK73FB1E104K	CHIP C 0.10UF K		

L : Scandinavia K : USA P : Canada R : Mexico C : China I : Malaysia
 Y : PX(Far East, Hawaii) T : Europe E : Europe G : Germany V : China (Shanghai)
 Y : AAFES(Europe) X : Australia Q : Russia H : Korea M : Other Areas Δ indicates safety critical components.

* New Parts
 Parts without **Parts No.** are not supplied.
 Les articles non mentionnés dans le **Parts No.** ne sont pas fournis.
 Teile ohne **Parts No.** werden nicht geliefert.

8

Ref. No	Add-ress	New Parts	Parts No.	Description	Desti-nation	Re-marks
C583			CK73FB1H822K	CHIP C 8200PF K		
C584			CK73FB1H102K	CHIP C 1000PF K		
C585			CK73FB1H103K	CHIP C 0.010UF K		
C586			CE04KW1H010M	ELECTRO 1.0UF 50WV		
C592			CK73FB1H333K	CHIP C 0.033UF K		
C594			CK73FB1H103K	CHIP C 0.010UF K		
C595,596			CC73FSL1H221J	CHIP C 220PF J		
C601			CE04KW1A100M	ELECTRO 10UF 10WV		
C602,603			CQ93FMG1H103J	MYLAR 0.010UF J		
C604			CE04KW1A101M	ELECTRO 100UF 10WV		
C605			CE04KW1A100M	ELECTRO 10UF 10WV		
C606,607			CQ93FMG1H103J	MYLAR 0.010UF J		
C608			CE04KW1A101M	ELECTRO 100UF 10WV		
C609			CE04KW1A100M	ELECTRO 10UF 10WV		
C610,611			CQ93FMG1H103J	MYLAR 0.010UF J		
C613			CK73FB1E104K	CHIP C 0.10UF K		
C614			CE04KW1A100M	ELECTRO 10UF 10WV		
C615,616			CK73FB1E104K	CHIP C 0.10UF K		
C620,621			CC73FSL1H101J	CHIP C 100PF J		
C622,623			CK73FB1E104K	CHIP C 0.10UF K		
C624,625			CC73FSL1H220J	CHIP C 22PF J		
C626			CK73FB1E104K	CHIP C 0.10UF K		
C627			CE04KW1E470M	ELECTRO 47UF 25WV		
C628			CK73FB1E104K	CHIP C 0.10UF K	C2	
C628			CK73FB1E104K	CHIP C 0.10UF K	K2P2M2	
C629			CE04KW1E470M	ELECTRO 47UF 25WV	C2	
C629			CE04KW1E470M	ELECTRO 47UF 25WV	K2P2M2	
C630			CK73FB1H103K	CHIP C 0.010UF K	C2	
C630			CK73FB1H103K	CHIP C 0.010UF K	K2P2M2	
C631			CK73FB1H103K	CHIP C 0.010UF K		
C632			CE04KW1H010M	ELECTRO 1.0UF 50WV		
C633			C90-1826-05	BACKUP-C 0.047F 5.5WV		
C634			CK73FB1H102K	CHIP C 1000PF K		
C635			CE04KW1A101M	ELECTRO 100UF 10WV		
C636			CK73FF1C105Z	CHIP C 1.0UF Z		
C637			CK73FB1H103K	CHIP C 0.010UF K		
C640			CE04KW1H2R2M	ELECTRO 2.2UF 50WV	K2P2	
C641			CC73FSL1H331J	CHIP C 330PF J	K2P2	
C642			CK73FB1E104K	CHIP C 0.10UF K	K2P2	
C645,646			CC73FCH1H100D	CHIP C 10PF D	K2P2	
C651			CK73FB1E104K	CHIP C 0.10UF K		
C652			CE04KW1E470M	ELECTRO 47UF 25WV		
C750			CK73FB1H103K	CHIP C 0.010UF K		
C751-754			CK73FB1E104K	CHIP C 0.10UF K		
C801,802			CC73FSL1H101J	CHIP C 100PF J		
C851			CE04KW1A101M	ELECTRO 100UF 10WV	K2P2	
C852-854			CK73FB1H103K	CHIP C 0.010UF K		
C857			CK73FB1E104K	CHIP C 0.10UF K		
C858			CK73FB1H102K	CHIP C 1000PF K		
C859			CK73FB1H103K	CHIP C 0.010UF K		
C861,862			CE04KW1E470M	ELECTRO 47UF 25WV		
C863-865			CC73FSL1H220J	CHIP C 22PF J		
C868			CK73FB1E104K	CHIP C 0.10UF K		
C870			CK73FB1E104K	CHIP C 0.10UF K		
C872			CK73FB1E104K	CHIP C 0.10UF K		

L : Scandinavia K : USA P : Canada R : Mexico C : China I : Malaysia
 Y : PX(Far East, Hawaii) T : Europe E : Europe G : Germany V : China (Shanghai)
 Y : AAFES(Europe) X : Australia Q : Russia H : Korea M : Other Areas Δ indicates safety critical components.

PARTS LIST

KRF-V7771D/V8881D/NR-2080/2090

* New Parts
Parts without **Parts No.** are not supplied.
Les articles non mentionnés dans le **Parts No.** ne sont pas fournis.
Teile ohne **Parts No.** werden nicht geliefert.

9

Ref. No	Address	New Parts	Parts No.	Description	Destination	Remarks
C875,876 C878,879 C882-887 C888-890 C893-895			CK73FB1E104K CK73FB1E104K CC73FSL1H470J CK73FB1E104K CK73FB1E104K	CHIP C CHIP C CHIP C CHIP C CHIP C	0.10UF 0.10UF 47PF 0.10UF 0.10UF	K K J K K
C896-898 C899 C900 C901 C904,905			CC73FSL1H470J CE04KW1V220M CK73FB1E104K CC73FSL1H470J CK73FB1E104K	CHIP C ELECTRO CHIP C CHIP C CHIP C	47PF 22UF 0.10UF 47PF 0.10UF	J 35WV K J K
C906 C907,908 C909 C910,911 C916			CE04KW1V220M CE04KW1A100M CK73FB1E104K CC73FSL1H470J CK73FB1E104K	ELECTRO ELECTRO CHIP C CHIP C CHIP C	22UF 10UF 0.10UF 47PF 0.10UF	35WV 10WV K J K
C917 C918 C919-922 C924 C925			CK73FB1H102K CC73FSL1H331J CC73FSL1H470J CK73FB1E104K CK73FB1H103K	CHIP C CHIP C CHIP C CHIP C CHIP C	1000PF 330PF 47PF 0.10UF 0.010UF	K J J K K
C926 C927,928 C929,930 C931-938 C939-941			CE04KW1H100M CC73FSL1H470J CC73FSL1H101J CK73FB1E104K CC73FSL1H470J	ELECTRO CHIP C CHIP C CHIP C CHIP C	10UF 47PF 100PF 0.10UF 47PF	50WV J J K J
C942,943 C944 C945 C946 C948,949			CK73FB1E104K CK73FB1H102K CK73FB1E104K CC73FSL1H220J CC73FSL1H220J	CHIP C CHIP C CHIP C CHIP C CHIP C	0.10UF 1000PF 0.10UF 22PF 22PF	K K K J J
C950,951 C952 C953,954 C993			CK73FB1E273KTA CK73FB1H562K CE04KW1E470M CK73FB1E104K	CHIP C CHIP C ELECTRO CHIP C	0.027UF 5600PF 47UF 0.10UF	K K 25WV K
CN11 CN12 CN13 CN14,15 CN16			E40-4607-05 E40-4609-05 E40-4900-05 E40-4609-05 E40-4807-05	PIN ASSY PIN ASSY FLAT CABLE CONNECTOR PIN ASSY PIN ASSY		
CN17 CN19 CN19 J11 J15			E40-4295-05 E40-4808-05 E40-4808-05 E63-1028-05 E11-0360-05	FLAT CABLE CONNECTOR PIN ASSY PIN ASSY PHONO JACK MINIATURE PHONE JACK(BLK)SL16		
J16,17	1B 1C	*	E11-0374-05	MINIATURE PHONE JACK(GRN)SYS		
L1 ,2 L6 L9 -12 L21 ,22 L27 -29		*	L92-0044-05 L92-0089-05 L92-0089-05 L92-0089-05 L92-0089-05	FERRITE CORE CHIP FERRITE CHIP FERRITE CHIP FERRITE CHIP FERRITE		
L31 ,32 L50 -55 L56 -59 L61 ,62		*	L92-0089-05 L92-0080-05 L92-0079-05 L92-0090-05	CHIP FERRITE CHIP FERRITE CHIP FERRITE CHIP FERRITE		

L : Scandinavia K : USA P : Canada R : Mexico C : China I : Malaysia
Y : PX(Far East, Hawaii) T : Europe E : Europe G : Germany V : China (Shanghai)
Y : AAFES(Europe) X : Australia Q : Russia H : Korea M : Other Areas Δ indicates safety critical components.

* New Parts
Parts without **Parts No.** are not supplied.
Les articles non mentionnés dans le **Parts No.** ne sont pas fournis.
Teile ohne **Parts No.** werden nicht geliefert.

10

Ref. No	Address	New Parts	Parts No.	Description	Destination	Remarks
L63,64 L65,66 L67,68 L69 L70 -74		*	L92-0081-05 L92-0089-05 L92-0090-05 L92-0091-05 L92-0081-05	CHIP FERRITE CHIP FERRITE CHIP FERRITE CHIP FERRITE CHIP FERRITE		
L701,702 X1 X2 X3 X4			L40-1015-34 L77-2192-05 L77-2193-05 L78-0267-05 L78-0271-05	SMALL FIXED INDUCTOR (100UH) CRYSTAL RESONATOR (12.288M) CRYSTAL RESONATOR (4.0M) RESONATOR (4.194MHZ) RESONATOR (4.23MHZ)		
X5 X6			L77-2002-05 L78-0674-05	CRYSTAL RESONATOR(4.332MHZ) RESONATOR (3.64MHZ)		K2P2
R403,404 R413,414 R415,416 R417,418 R421,422			RK73FB2A104J RK73FB2A104J RK73FB2A182J RK73FB2A122J RK73FB2A562J	CHIP R CHIP R CHIP R CHIP R CHIP R	100K 100K 1.8K 1.2K 5.6K	J 1/10W J 1/10W J 1/10W J 1/10W J 1/10W
R423,424 R433,434 R435,436 R437 R438			RK73FB2A101J RK73FB2A104J RK73FB2A122J RK73FB2A821J RK73FB2A242J	CHIP R CHIP R CHIP R CHIP R CHIP R	100 100K 1.2K 820 2.4K	J 1/10W J 1/10W J 1/10W J 1/10W J 1/10W
R439 R440 R441 R442 R443,444			RK73FB2A163J RK73FB2A153J RK73FB2A303J RK73FB2A153J RK73FB2A101J	CHIP R CHIP R CHIP R CHIP R CHIP R	16K 15K 30K 15K 100	J 1/10W J 1/10W J 1/10W J 1/10W J 1/10W
R449,450 R451,452 R453,454 R455,456 R457,458			RK73FB2A104J RK73FB2A122J RK73FB2A821J RK73FB2A163J RK73FB2A303J	CHIP R CHIP R CHIP R CHIP R CHIP R	100K 1.2K 820 16K 30K	J 1/10W J 1/10W J 1/10W J 1/10W J 1/10W
R459,460 R501 R502 R504 R505			RK73FB2A101J RK73FB2A471J RK73FB2A103J RK73FB2A101J RK73FB2A102J	CHIP R CHIP R CHIP R CHIP R CHIP R	100 470 10K 100 1.0K	J 1/10W J 1/10W J 1/10W J 1/10W J 1/10W
R506 R508,509 R515 R516 R517			RK73FB2A473J RK73FB2A331J RK73FB2A221J RD14NB2E2R7J RK73FB2A105J	CHIP R CHIP R CHIP R RD CHIP R	47K 330 220 2.7 1.0M	J 1/10W J 1/10W J 1/10W J 1/4W J 1/10W
R518 R519 R521 R522 R523			RK73FB2A471J RK73FB2A103J RK73FB2A101J RK73FB2A102J RK73FB2A473J	CHIP R CHIP R CHIP R CHIP R CHIP R	470 10K 100 1.0K 47K	J 1/10W J 1/10W J 1/10W J 1/10W J 1/10W
R525,526 R532 R533 R534 R535			RK73FB2A331J RK73FB2A221J RD14NB2E2R7J RK73FB2A103J RK73FB2A471J	CHIP R CHIP R RD CHIP R CHIP R	330 220 2.7 10K 470	J 1/10W J 1/10W J 1/4W J 1/10W J 1/10W
R536 R538			RK73FB2A103J RK73FB2A101J	CHIP R CHIP R	10K 100	J 1/10W J 1/10W

L : Scandinavia K : USA P : Canada R : Mexico C : China I : Malaysia
Y : PX(Far East, Hawaii) T : Europe E : Europe G : Germany V : China (Shanghai)
Y : AAFES(Europe) X : Australia Q : Russia H : Korea M : Other Areas Δ indicates safety critical components.

* New Parts
 Parts without **Parts No.** are not supplied.
 Les articles non mentionnés dans le **Parts No.** ne sont pas fournis.
 Teile ohne **Parts No.** werden nicht geliefert.

11

Ref. No	Add-ress	New Parts	Parts No.	Description	Desti-nation	Re-marks
R539			RK73FB2A102J	CHIP R 1.0K J 1/10W		
R540			RK73FB2A473J	CHIP R 47K J 1/10W		
R542,543			RK73FB2A331J	CHIP R 330 J 1/10W		
R544-546			RK73FB2A471J	CHIP R 470 J 1/10W		
R552			RD14NB2E2R7J	RD 2.7 J 1/4W		
R553,554			RK73FB2A102J	CHIP R 1.0K J 1/10W		
R556-561			RK73FB2A102J	CHIP R 1.0K J 1/10W		
R562-566			RK73FB2A473J	CHIP R 47K J 1/10W		
R567,568			RK73FB2A101J	CHIP R 100 J 1/10W		
R569			RK73FB2A102J	CHIP R 1.0K J 1/10W		
R570			RK73FB2A222J	CHIP R 2.2K J 1/10W		
R571			RK73FB2A103J	CHIP R 10K J 1/10W		
R572,573			RK73FB2A221J	CHIP R 220 J 1/10W		
R574-576			RD14NB2E2R7J	RD 2.7 J 1/4W		
R577-587			RK73FB2A473J	CHIP R 47K J 1/10W		
R588-592			RK73FB2A101J	CHIP R 100 J 1/10W		
R593-613			RK73FB2A473J	CHIP R 47K J 1/10W		
R614-617			RK73FB2A224J	CHIP R 220K J 1/10W		
R618-633			RK73FB2A473J	CHIP R 47K J 1/10W		
R634-638			RK73FB2A101J	CHIP R 100 J 1/10W		
R639			RK73FB2A473J	CHIP R 47K J 1/10W		
R640			RK73FB2A101J	CHIP R 100 J 1/10W		
R641-650			RK73FB2A473J	CHIP R 47K J 1/10W		
R651,652			RK73FB2A101J	CHIP R 100 J 1/10W		
R653-655			RK73FB2A473J	CHIP R 47K J 1/10W		
R656-658			RK73FB2A101J	CHIP R 100 J 1/10W		
R659-668			RK73FB2A473J	CHIP R 47K J 1/10W		
R669			RK73FB2A101J	CHIP R 100 J 1/10W		
R670-679			RK73FB2A473J	CHIP R 47K J 1/10W		
R680,681			RK73FB2A101J	CHIP R 100 J 1/10W		
R682-689			RK73FB2A473J	CHIP R 47K J 1/10W		
R692			RK73FB2A473J	CHIP R 47K J 1/10W	K2P2	
R693,694			RK73FB2A473J	CHIP R 47K J 1/10W		
R695			RK73FB2A473J	CHIP R 47K J 1/10W	KP1	
R695			RK73FB2A473J	CHIP R 47K J 1/10W	M2C2	
R695			RK73FB2A473J	CHIP R 47K J 1/10W	Y1M1C1	
R696,697			RK73FB2A473J	CHIP R 47K J 1/10W		
R698			RK73FB2A473J	CHIP R 47K J 1/10W	KP1	
R699			RK73FB2A473J	CHIP R 47K J 1/10W	KP1	
R699			RK73FB2A473J	CHIP R 47K J 1/10W	K2P2	
R701-703			RK73FB2A473J	CHIP R 47K J 1/10W		
R704			RK73FB2A103J	CHIP R 10K J 1/10W		
R709-711			RK73FB2A101J	CHIP R 100 J 1/10W		
R712			RK73FB2A473J	CHIP R 47K J 1/10W	KP1Y1	
R712			RK73FB2A473J	CHIP R 47K J 1/10W	M1C1	
R713			RK73FB2A473J	CHIP R 47K J 1/10W		
R714-716			RK73FB2A101J	CHIP R 100 J 1/10W		
R717-720			RK73FB2A473J	CHIP R 47K J 1/10W		
R723-727			RK73FB2A473J	CHIP R 47K J 1/10W		
R729,730			RK73FB2A473J	CHIP R 47K J 1/10W		
R732			RK73FB2A104J	CHIP R 100K J 1/10W		
R733			RK73FB2A331J	CHIP R 330 J 1/10W		
R734,735			RK73FB2A104J	CHIP R 100K J 1/10W		
R736			RK73FB2A331J	CHIP R 330 J 1/10W		
R737			RK73FB2A104J	CHIP R 100K J 1/10W		

L : Scandinavia K : USA P : Canada R : Mexico C : China I : Malaysia
 Y : PX(Far East, Hawaii) T : Europe E : Europe G : Germany V : China (Shanghai)
 Y : AAFES(Europe) X : Australia Q : Russia H : Korea M : Other Areas Δ indicates safety critical components.

* New Parts
 Parts without **Parts No.** are not supplied.
 Les articles non mentionnés dans le **Parts No.** ne sont pas fournis.
 Teile ohne **Parts No.** werden nicht geliefert.

12

Ref. No	Add-ress	New Parts	Parts No.	Description	Desti-nation	Re-marks
R738-742			RK73FB2A473J	CHIP R 47K J 1/10W		
R743-745			RK73FB2A101J	CHIP R 100 J 1/10W		
R746			RK73FB2A473J	CHIP R 47K J 1/10W		
R747			RK73FB2A101J	CHIP R 100 J 1/10W		
R748			RK73FB2A104J	CHIP R 100K J 1/10W		
R749,750			RK73FB2A101J	CHIP R 100 J 1/10W		
R751			RK73FB2A473J	CHIP R 47K J 1/10W		
R752,753			RK73FB2A101J	CHIP R 100 J 1/10W		
R754,755			RK73FB2A473J	CHIP R 47K J 1/10W		
R757,758			RK73FB2A101J	CHIP R 100 J 1/10W		
R759			RK73FB2A102J	CHIP R 1.0K J 1/10W		
R760			RK73FB2A103J	CHIP R 10K J 1/10W		
R761			RK73FB2A102J	CHIP R 1.0K J 1/10W		
R762			RK73FB2A103J	CHIP R 10K J 1/10W		
R763			RK73FB2A104J	CHIP R 100K J 1/10W		
R764			RK73FB2A103J	CHIP R 10K J 1/10W		
R765			RK73FB2A821J	CHIP R 820 J 1/10W		
R767-771			RK73FB2A473J	CHIP R 47K J 1/10W		
R777-780			RK73FB2A473J	CHIP R 47K J 1/10W		
R781			RK73FB2A472J	CHIP R 4.7K J 1/10W		
R782			RK73FB2A750J	CHIP R 75 J 1/10W		
R783			RK73FB2A473J	CHIP R 47K J 1/10W		
R784			RK73FB2A472J	CHIP R 4.7K J 1/10W		
R785			RK73FB2A750J	CHIP R 75 J 1/10W		
R786,787			RD14NB2E100J	RD 10 J 1/4W		
R788			RD14NB2E100J	RD 10 J 1/4W		C2
R788			RD14NB2E100J	RD 10 J 1/4W		K2P2M2
R793-796			RK73FB2A223J	CHIP R 22K J 1/10W		K2P2
R797			RK73FB2A102J	CHIP R 1.0K J 1/10W		K2P2
R798			RK73FB2A101J	CHIP R 100 J 1/10W		K2P2
R799			RK73FB2A272J	CHIP R 2.7K J 1/10W		K2P2
R800			RK73FB2A222J	CHIP R 2.2K J 1/10W		
R801,802			RK73FB2A102J	CHIP R 1.0K J 1/10W		
R803			RK73FB2A222J	CHIP R 2.2K J 1/10W		
R804-807			RK73FB2A332J	CHIP R 3.3K J 1/10W		
R808-821			RK73FB2A101J	CHIP R 100 J 1/10W		
R823,824			RK73FB2A101J	CHIP R 100 J 1/10W		
R829-832			RK73FB2A101J	CHIP R 100 J 1/10W		
R834			RK73FB2A105J	CHIP R 1.0M J 1/10W		
R835,836			RK73FB2A101J	CHIP R 100 J 1/10W		
R840			RK73FB2A473J	CHIP R 47K J 1/10W		
R842			RK73FB2A473J	CHIP R 47K J 1/10W		
R844			RK73FB2A103J	CHIP R 10K J 1/10W		
R845,846			RK73FB2A473J	CHIP R 47K J 1/10W		
R847			RK73FB2A103J	CHIP R 10K J 1/10W		
R851,852			RK73FB2A101J	CHIP R 100 J 1/10W		
R902			RK73FB2A473J	CHIP R 47K J 1/10W		
R903			RK73FB2A101J	CHIP R 100 J 1/10W		
R904-908			RK73FB2A101J	CHIP R 100 J 1/10W		K2P2C2
R904-908			RK73FB2A101J	CHIP R 100 J 1/10W		M1C1M2
R909-912			RK73FB2A101J	CHIP R 100 J 1/10W		C2
R909-912			RK73FB2A101J	CHIP R 100 J 1/10W		K2P2M2
R913			RK73FB2A473J	CHIP R 47K J 1/10W		
R914			RK73FB2A473J	CHIP R 47K J 1/10W		K2P2
R914			RK73FB2A473J	CHIP R 47K J 1/10W		M2C2

L : Scandinavia K : USA P : Canada R : Mexico C : China I : Malaysia
 Y : PX(Far East, Hawaii) T : Europe E : Europe G : Germany V : China (Shanghai)
 Y : AAFES(Europe) X : Australia Q : Russia H : Korea M : Other Areas Δ indicates safety critical components.

PARTS LIST

KRF-V7771D/V8881D/NR-2080/2090

* New Parts
Parts without **Parts No.** are not supplied.
Les articles non mentionnés dans le **Parts No.** ne sont pas fournis.
Teile ohne **Parts No.** werden nicht geliefert.

13

Ref. No	Add-ress	New Parts	Parts No.	Description	Desti-nation	Re-marks
R915			RK73FB2A473J	CHIP R 47K J 1/10W		
R916			RK73FB2A473J	CHIP R 47K J 1/10W	M1C1Y1	
R916			RK73FB2A473J	CHIP R 47K J 1/10W	M2C2	
R917			RK73FB2A473J	CHIP R 47K J 1/10W	K2P2	
R917			RK73FB2A473J	CHIP R 47K J 1/10W	M1C1	
R917			RK73FB2A473J	CHIP R 47K J 1/10W	M2C2Y1	
R919			RK73FB2A473J	CHIP R 47K J 1/10W	K2P2	
R920			RK73FB2A101J	CHIP R 100 J 1/10W		
R921-924			RK73FB2A222J	CHIP R 2.2K J 1/10W		
R930			RK73FB2A102J	CHIP R 1.0K J 1/10W		
R931			RK73FB2A473J	CHIP R 47K J 1/10W		
R935,936			RK73FB2A202J	CHIP R 2.0K J 1/10W		
R937			RK73FB2A132J	CHIP R 1.3K J 1/10W		
R938			RK73FB2A181J	CHIP R 180 J 1/10W		
R939,940			RK73FB2A132J	CHIP R 1.3K J 1/10W		
R943,944			RK73FB2A104J	CHIP R 100K J 1/10W		
R951			RK73FB2A101J	CHIP R 100 J 1/10W		
R952			RK73FB2A101J	CHIP R 100 J 1/10W	K2P2M2	
R952			RK73FB2A101J	CHIP R 100 J 1/10W	M1C1C2	
R953-959			RK73FB2A103J	CHIP R 10K J 1/10W		
R962,963			RK73FB2A221J	CHIP R 220 J 1/10W		
R965-968			RK73FB2A221J	CHIP R 220 J 1/10W		
R971,972			RK73FB2A471J	CHIP R 470 J 1/10W		
R973			RK73FB2A221J	CHIP R 220 J 1/10W		
R976			RK73FB2A103J	CHIP R 10K J 1/10W		
R977,978			RD14NB2E471J	RD 470 J 1/4W	K2P2	
R979			RK73FB2A102J	CHIP R 1.0K J 1/10W		
R980			RK73FB2A222J	CHIP R 2.2K J 1/10W	K2P2	
R981			RK73FB2A223J	CHIP R 22K J 1/10W	K2P2	
R982,983			RK73FB2A223J	CHIP R 22K J 1/10W		
R984			RK73FB2A102J	CHIP R 1.0K J 1/10W		
R985			RK73FB2A472J	CHIP R 4.7K J 1/10W		
R986			RK73FB2A103J	CHIP R 10K J 1/10W		
R987			RK73FB2A102J	CHIP R 1.0K J 1/10W		
R988			RK73FB2A101J	CHIP R 100 J 1/10W		
R989,990			RK73FB2A221J	CHIP R 220 J 1/10W		
R991			RK73FB2A103J	CHIP R 10K J 1/10W		
R992			RK73FB2A104J	CHIP R 100K J 1/10W		
R993			RK73FB2A473J	CHIP R 47K J 1/10W		
R997			RK73FB2A331J	CHIP R 330 J 1/10W		
R998			RK73FB2A471J	CHIP R 470 J 1/10W		
W2 -6			R92-0670-05	CHIP R 0 OHM	M2C2	
W2 -6			R92-0670-05	CHIP R 0 OHM	Y1M1C1	
W3 -6			R92-0670-05	CHIP R 0 OHM	KP1	
W3 -6			R92-0670-05	CHIP R 0 OHM	K2P2	
S1			S62-0034-05	SLIDE SWITCH		
D51 -53			DA204U	DIODE		
D51 -53			MA143A	DIODE		
D51 -53			1SS302	DIODE		
D54			DAP202U	DIODE		
D54			MA142WA	DIODE		
D54			1SS300	DIODE		
D54			DAN202U	DIODE		
D58			1SS301	DIODE		

L : Scandinavia K : USA P : Canada R : Mexico C : China I : Malaysia
Y : PX(Far East, Hawaii) T : Europe E : Europe G : Germany V : China (Shanghai)
Y : AAFES(Europe) X : Australia Q : Russia H : Korea M : Other Areas Δ indicates safety critical components.

* New Parts
Parts without **Parts No.** are not supplied.
Les articles non mentionnés dans le **Parts No.** ne sont pas fournis.
Teile ohne **Parts No.** werden nicht geliefert.

14

Ref. No	Add-ress	New Parts	Parts No.	Description	Desti-nation	Re-marks
D59			DAP202U	DIODE		
D59			MA142WA	DIODE		
D59			1SS300	DIODE		
D60 ,61			MA111	DIODE		
D62			DA204U	DIODE		
D62			MA143A	DIODE		
D62			1SS302	DIODE		
D63			MA111	DIODE		
Δ D64 ,65			U1BC44	DIODE		
D72			DA204U	DIODE		
D72			MA143A	DIODE		
D72			1SS302	DIODE		
D75 ,76			DA204U	DIODE		
D75 ,76			MA143A	DIODE		
D75 ,76			1SS302	DIODE		
Δ D103			U1BC44	DIODE		
D108			MA111	DIODE	K2P2M2	
D108			MA111	DIODE	M1C1C2	
D109			DA204U	DIODE		
D109			MA143A	DIODE		
D109			1SS302	DIODE		
D110			DAP202U	DIODE		
D110			MA142WA	DIODE		
D110			1SS300	DIODE		
D111			MA111	DIODE		
IC52		*	DSP156009FJ88	MOS-IC		
IC53			TC7W04FU	MOS-IC		
IC54			TC74HCU04AF	IC(HEX INVERTER SMD)		
IC55			LH64256CK-70	MEMORY IC		
IC56		*	DSPF56009FJ88	MOS-IC		
Δ IC57			LM2940CT-5.0	ANALOGUE IC		
IC58			LH64256CK-70	MEMORY IC		
IC59		*	DSPB56007FJ88	MOS-IC		
IC60			TC74HC153AF	MOS-IC		
Δ IC61			TA7805S	ANALOGUE IC		
IC62			CS4226KQC	MOS-IC		
Δ IC63			LM2940CT-5.0	ANALOGUE IC		
Δ IC64,65			TA7805S	ANALOGUE IC		
IC66		*	UPD78058GC-A74	MI-COM IC		
IC67			UPD17215GT-737	MI-COM IC		
IC68			TDA7479D	ANALOGUE IC	K2P2	
IC69		*	UPD78078GF-080	MI-COM IC		
IC70			S-806D-Z	ANALOGUE IC		
IC71			TC74HC153AF	MOS-IC		
IC71			TC74HC153AF	MOS-IC	C2	
IC71			TC74HC153AF	MOS-IC	K2P2M2	
Δ IC72			TC74HCU04AF	IC(HEX INVERTER SMD)		
IC73			LM2940CT-5.0	ANALOGUE IC		
IC74			NJM4565M	IC(OP AMP X2)		
IC76			NJM4565M	IC(OP AMP X2)		
IC78			NJM4565M	IC(OP AMP X2)		
IC80			NJM4565M	IC(OP AMP X2)		
IC85			TC7S04F	IC(2CH NAND GATE)		
IC86		*	N341256SJ-12	MEMORY IC		
IC86		*	N341256SJ-15	MEMORY IC		
IC86		*	W24257AJ-12	MEMORY IC		

L : Scandinavia K : USA P : Canada R : Mexico C : China I : Malaysia
Y : PX(Far East, Hawaii) T : Europe E : Europe G : Germany V : China (Shanghai)
Y : AAFES(Europe) X : Australia Q : Russia H : Korea M : Other Areas Δ indicates safety critical components.

* New Parts
 Parts without **Parts No.** are not supplied.
 Les articles non mentionnés dans le **Parts No.** ne sont pas fournis.
 Teile ohne **Parts No.** werden nicht geliefert.

15

Ref. No	Add-ress	New Parts	Parts No.	Description	Desti-nation	Re-marks
IC86		*	W24257AJ-15	MEMORY IC		
IC87		*	27C1000MC-12	MEMORY IC		
IC89			TC74HC153AF	MOS-IC		
IC90			TC74HC393AF	MOS-IC		
IC92			TC74HC123AF	MOS-IC		
Q51			DTA124EUA	DIGITAL TRANSISTOR	K2P2	
Q51			UN5112	DIGITAL TRANSISTOR	K2P2	
Q52			DTC124EUA	DIGITAL TRANSISTOR	K2P2	
Q52			UN5212	DIGITAL TRANSISTOR	K2P2	
Q53			DTA124EUA	DIGITAL TRANSISTOR	K2P2	
Q53			UN5112	DIGITAL TRANSISTOR	K2P2	
Q54			DTC124EUA	DIGITAL TRANSISTOR	K2P2	
Q54			UN5212	DIGITAL TRANSISTOR	K2P2	
Q55			2SB1424(Q,R)	TRANSISTOR	K2P2	
Q56			2SC4081(R,S)	TRANSISTOR	K2P2	
Q56			2SC4116(Y,GR)	TRANSISTOR	K2P2	
Q57			DTC113ZUA	DIGITAL TRANSISTOR		
Q57			UN5219	DIGITAL TRANSISTOR		
Q58			2SC4081(R,S)	TRANSISTOR		
Q58			2SC4116(Y,GR)	TRANSISTOR		
Q60			2SC4081(R,S)	TRANSISTOR		
Q60			2SC4116(Y,GR)	TRANSISTOR		
Q63			DTC124EUA	DIGITAL TRANSISTOR		
Q63			UN5212	DIGITAL TRANSISTOR		
Q64			2SC4081(R,S)	TRANSISTOR		
Q64			2SC4116(Y,GR)	TRANSISTOR		
Q65			DTC113ZUA	DIGITAL TRANSISTOR		
Q65			UN5219	DIGITAL TRANSISTOR		
Q66			2SA1576A(R,S)	TRANSISTOR		
Q66			2SA1586(Y,GR)	TRANSISTOR		
Q67			DTC124EUA	DIGITAL TRANSISTOR		
Q67			UN5212	DIGITAL TRANSISTOR		
Q68			DTA124EUA	DIGITAL TRANSISTOR		
Q68			UN5112	DIGITAL TRANSISTOR		
A1 ,2	1C		W02-1181-05	OPTIC RECEIVING MODULE		
A3	1C		W02-1114-05	OSCILLATING MODULE	C2	
A3	1C		W02-1114-05	OSCILLATING MODULE	K2P2M2	
ZONE (X11-3800-10/X11-3813-00)						
D21 -24			B30-2519-05	LED(INFRARED,D=5,)		
C1 -10			CC73FSL1H221J	CHIP C	220PF	J
C11 ,12			CC73FSL1H101J	CHIP C	100PF	J
C13			CK73FB1H103K	CHIP C	0.010UF	K
C14			CC73FSL1H151J	CHIP C	150PF	J
C15			CK73FB1H103K	CHIP C	0.010UF	K
C16			CC73FSL1H151J	CHIP C	150PF	J
C17			CK73FB1H103K	CHIP C	0.010UF	K
C18			CC73FSL1H151J	CHIP C	150PF	J
C21 ,22			CE04KW1H4R7M	ELECTRO	4.7UF	50WV
C23 ,24			CC73FSL1H470J	CHIP C	47PF	J
C25 ,26			CE04KW1E470M	ELECTRO	47UF	25WV
C27 ,28			CC73FSL1H101J	CHIP C	100PF	J
C33 -36			CC73FSL1H221J	CHIP C	220PF	J
C37 -40			CE04KW1A101M	ELECTRO	100UF	10WV
C41 -44			CC73FSL1H221J	CHIP C	220PF	J

L : Scandinavia K : USA P : Canada R : Mexico C : China I : Malaysia
 Y : PX(Far East, Hawaii) T : Europe E : Europe G : Germany V : China (Shanghai)
 Y : AAFES(Europe) X : Australia Q : Russia H : Korea M : Other Areas Δ indicates safety critical components.

* New Parts
 Parts without **Parts No.** are not supplied.
 Les articles non mentionnés dans le **Parts No.** ne sont pas fournis.
 Teile ohne **Parts No.** werden nicht geliefert.

16

Ref. No	Add-ress	New Parts	Parts No.	Description	Desti-nation	Re-marks
C47 -52			CC73FSL1H221J	CHIP C	220PF	J
C53			CC73FSL1H101J	CHIP C	100PF	J
C54			CK73FB1H103K	CHIP C	0.010UF	K
C55			CC73FSL1H151J	CHIP C	150PF	J
C57			CC73FSL1H151J	CHIP C	150PF	J
C61 ,62			CE04KW1H4R7M	ELECTRO	4.7UF	50WV
C63 ,64			CC73FSL1H470J	CHIP C	47PF	J
C65 ,66			CE04KW1H100M	ELECTRO	10UF	50WV
C67 ,68			CC73FSL1H101J	CHIP C	100PF	J
C71 ,72			CC73FSL1H221J	CHIP C	220PF	J
C81 ,82			CK73FB1H102K	CHIP C	1000PF	K
C83			CK73FB1C104K	CHIP C	0.10UF	K
C84 ,85			CC73FSL1H101J	CHIP C	100PF	J
C86			CK73FB1C104K	CHIP C	0.10UF	K
C87 ,88			CC73FSL1H101J	CHIP C	100PF	J
C89			CK73FB1C104K	CHIP C	0.10UF	K
C91 ,92			CK73FB1H103K	CHIP C	0.010UF	K
C103,104			CE04KW1H2R2M	ELECTRO	2.2UF	50WV
C105,106			CK73FB1E104K	CHIP C	0.10UF	K
C107			CC73FSL1H151J	CHIP C	150PF	J
C108			CK45FF1H103Z	CERAMIC	0.010UF	Z
C109,110			CC73FCH1H220J	CHIP C	22PF	J
C111,112			CE04KW2A4R7M	ELECTRO	4.7UF	100WV
C115,116			CK73FB1H561K	CHIP C	560PF	K
C117,118			CE04KW1H100M	ELECTRO	10UF	50WV
C119			CC73FSL1H101J	CHIP C	100PF	J
C121,122			CC73FSL1H821J	CHIP C	820PF	J
C123-126			CC73FSL1H101J	CHIP C	100PF	J
C127,128			CK73FB1E104K	CHIP C	0.10UF	K
C131,132			CE04KW1H2R2M	ELECTRO	2.2UF	50WV
C133,134			CC73FSL1H101J	CHIP C	100PF	J
C135,136			CE04KW1H220M	ELECTRO	22UF	50WV
C137,138			CE04KW1H2R2M	ELECTRO	2.2UF	50WV
C139,140			CC73FSL1H101J	CHIP C	100PF	J
C141,142			CE04KW1H220M	ELECTRO	22UF	50WV
C143,144			CE04KW1H2R2M	ELECTRO	2.2UF	50WV
C145,146			CC73FSL1H101J	CHIP C	100PF	J
C147,148			CE04KW1H220M	ELECTRO	22UF	50WV
C153,154			CE04KW1H2R2M	ELECTRO	2.2UF	50WV
C155			CC73FSL1H151J	CHIP C	150PF	J
C156			CK45FF1H103Z	CERAMIC	0.010UF	Z
C157,158			CC73FCH1H220J	CHIP C	22PF	J
C159,160			CE04KW1H4R7M	ELECTRO	4.7UF	50WV
C163			CC73FSL1H101J	CHIP C	100PF	J
C165,166			CC73FSL1H821J	CHIP C	820PF	J
C167-170			CC73FSL1H101J	CHIP C	100PF	J
C171,172			CE04KW1H100M	ELECTRO	10UF	50WV
C203,204			CE04KW1H2R2M	ELECTRO	2.2UF	50WV
C205			CC73FSL1H151J	CHIP C	150PF	J
C206			CK45FF1H103Z	CERAMIC	0.010UF	Z
C207,208			CC73FCH1H220J	CHIP C	22PF	J
C209,210			CE04KW1H4R7M	ELECTRO	4.7UF	50WV
C211,212			CE04KW1H100M	ELECTRO	10UF	50WV
C213			CC73FSL1H101J	CHIP C	100PF	J
C215-220			CC73FSL1H101J	CHIP C	100PF	J

L : Scandinavia K : USA P : Canada R : Mexico C : China I : Malaysia
 Y : PX(Far East, Hawaii) T : Europe E : Europe G : Germany V : China (Shanghai)
 Y : AAFES(Europe) X : Australia Q : Russia H : Korea M : Other Areas Δ indicates safety critical components.

PARTS LIST

KRF-V7771D/V8881D/NR-2080/2090

* New Parts
Parts without **Parts No.** are not supplied.
Les articles non mentionnés dans le **Parts No.** ne sont pas fournis.
Teile ohne **Parts No.** werden nicht geliefert.

17

Ref. No	Add-ress	New Parts	Parts No.	Description	Desti-nation	Re-marks
C251			CK45FF1H103Z	CERAMIC	0.010UF	Z
C252			CC73FSL1H151J	CHIP C	150PF	J
C253,254			CE04KW1H100M	ELECTRO	10UF	50WV
C257,258			CC73FCH1H220J	CHIP C	22PF	J
C259,260			CE04KW1C220M	ELECTRO	22UF	16WV
C263			CC73FSL1H101J	CHIP C	100PF	J
C265-270			CC73FSL1H101J	CHIP C	100PF	J
C285,286			C90-3239-05	ELECTRO	100UF	25WV
C301,302			CK73FB1E683KTA	CHIP C	0.068UF	K
C303,304			CK73FB1H153K	CHIP C	0.015UF	K
C305,306			CK73FB1H562K	CHIP C	5600PF	K
C307,308			CK73FB1H183K	CHIP C	0.018UF	K
C309,310			CK73FB1H821K	CHIP C	820PF	J
C314			CK45FF1H103Z	CERAMIC	0.010UF	Z
C315,316			CC73FCH1H270J	CHIP C	27PF	J
C317,318			CE04KW1H010M	ELECTRO	1.0UF	50WV
C319,320			CK73FB1H561K	CHIP C	560PF	K
C321,322			CE04KW1H010M	ELECTRO	1.0UF	50WV
C325			CK73FB1H103K	CHIP C	0.010UF	K
C326			CC73FSL1H151J	CHIP C	150PF	J
C339,340			CC73FSL1H101J	CHIP C	100PF	J
C341,342			CE04KW1H100M	ELECTRO	10UF	50WV
C345			CE04KW1H100M	ELECTRO	10UF	50WV
C346			CE04KW1H100M	ELECTRO	10UF	50WV
C347			CE04KW1H100M	ELECTRO	10UF	50WV
C348			CE04KW1H3R3M	ELECTRO	3.3UF	50WV
C349			CE04KW1H100M	ELECTRO	10UF	50WV
C350			CE04KW1H0R1M	ELECTRO	0.1UF	50WV
C361			CK45FF1H103Z	CERAMIC	0.010UF	Z
C362			CC73FSL1H151J	CHIP C	150PF	J
C363,364			CE04KW1H100M	ELECTRO	10UF	50WV
C367,368			CE04KW1H2R2M	ELECTRO	2.2UF	50WV
C371			CK45FF1H103Z	CERAMIC	0.010UF	Z
C372			CC73FSL1H151J	CHIP C	150PF	J
C373,374			CE04KW1H100M	ELECTRO	10UF	50WV
C377,378			CE04KW1H2R2M	ELECTRO	2.2UF	50WV
C385,386			CC73FSL1H220J	CHIP C	22PF	J
C389,390			CC73FSL1H101J	CHIP C	100PF	J
C391,392			CC73FSL1H220J	CHIP C	22PF	J
C395			CC73FSL1H101J	CHIP C	100PF	J
C401,402			CC45FSL1H221JN	CERAMIC	220PF	J
C501-506			CK73FB1C104K	CHIP C	0.10UF	K
C507-510			CK73FB1E333KTA	CHIP C	0.033UF	K
C511-514			CK73FB1C104K	CHIP C	0.10UF	K
C515,516			CK73FB1H223KTA	CHIP C	0.022UF	K
C521,522			CK73FB1H103K	CHIP C	0.010UF	K
C523,524			CC73FSL1H151J	CHIP C	150PF	J
C531,532			CE04KW1C470M	ELECTRO	47UF	16WV
C533,534			CC73FSL1H101J	CHIP C	100PF	J
C541			CK73FB1H103K	CHIP C	0.010UF	K
C542			CC73FSL1H151J	CHIP C	150PF	J
C601			CK73FB1H223K	CHIP C	0.022UF	K
C602			CK73FB1H103K	CHIP C	0.010UF	K
C603			CK73FB1H103K	CHIP C	0.010UF	K
C605,606			CK73FB1H103K	CHIP C	0.010UF	K

L : Scandinavia K : USA P : Canada R : Mexico C : China I : Malaysia
Y : PX(Far East, Hawaii) T : Europe E : Europe G : Germany V : China (Shanghai)
Y : AAFES(Europe) X : Australia Q : Russia H : Korea M : Other Areas Δ indicates safety critical components.

* New Parts
Parts without **Parts No.** are not supplied.
Les articles non mentionnés dans le **Parts No.** ne sont pas fournis.
Teile ohne **Parts No.** werden nicht geliefert.

18

Ref. No	Add-ress	New Parts	Parts No.	Description	Desti-nation	Re-marks
C607			CE04KW1C470M	ELECTRO	47UF	16WV
C608			CK73EB1H103K	CHIP C	0.010UF	K
C608			CK73EB1H103K	CHIP C	0.010UF	K
C610			CE04KW1C470M	ELECTRO	47UF	16WV
C611-613			CK73FB1H473K	CHIP C	0.047UF	K
C614			CE04KW1C100M	ELECTRO	10UF	16WV
C615			CE04KW1H010M	ELECTRO	1.0UF	50WV
C616			C90-3251-05	ELECTRO	0.47UF	50WV
C617			C90-3253-05	ELECTRO	1.0UF	50WV
C618			CC73FCH1H470J	CHIP C	47PF	J
C619			C90-3219-05	ELECTRO	33UF	10WV
C620			CK73FB1H473K	CHIP C	0.047UF	K
C621			C90-3241-05	ELECTRO	3.3UF	35WV
C622			CK73FB1H473K	CHIP C	0.047UF	K
C623			CE04KW1C100M	ELECTRO	10UF	16WV
C624			CC73FCH1H391J	CHIP C	390PF	J
C625			CC73FCH1H151J	CHIP C	150PF	J
C625			CC73FCH1H151J	CHIP C	150PF	J
C625			CC73FCH1H271J	CHIP C	270PF	J
C625			CC73FCH1H271J	CHIP C	270PF	J
C626			CK73FB1H223K	CHIP C	0.022UF	K
C627			CE04HW1E100M	NP-ELEC	10UF	25WV
C628,629			C90-3240-05	ELECTRO	2.2UF	35WV
C630,631			CK73FB1H183K	CHIP C	0.018UF	K
C630,631			CK73FB1H183K	CHIP C	0.018UF	K
C630,631			CK73FB1H333K	CHIP C	0.033UF	K
C630,631			CK73FB1H333K	CHIP C	0.033UF	K
C632			CE04KW1C100M	ELECTRO	10UF	16WV
C633,634			CK73FB1H123K	CHIP C	0.012UF	K
C633,634			CK73FB1H123K	CHIP C	0.012UF	K
C636			CK73FB1H103K	CHIP C	0.010UF	K
C637,638			C90-3217-05	ELECTRO	10UF	10WV
C639			CC73FCH1H060D	CHIP C	6.0PF	D
C640			CC73FCH1H020C	CHIP C	2.0PF	C
C641			CC73FCH1H220J	CHIP C	22PF	J
C642			CC73FCH1H270J	CHIP C	27PF	J
C643			CC73FCH1H220J	CHIP C	22PF	J
C644			CC73FSL1H471J	CHIP C	470PF	J
C645			CC73FCH1H220J	CHIP C	22PF	J
C646			CE04KW1C100M	ELECTRO	10UF	16WV
C647			CK73FB1H102K	CHIP C	1000PF	K
C648			CE04KW1C470M	ELECTRO	47UF	16WV
C649			CE04KW1H2R2M	ELECTRO	2.2UF	50WV
C650			CC73FSL1H101J	CHIP C	100PF	J
C651			CC73FCH1H471J	CHIP C	470PF	J
C652			CC73FSL1H101J	CHIP C	100PF	J
C670,671			CK73FB1H822K	CHIP C	8200PF	K
C670,671			CK73FB1H822K	CHIP C	8200PF	K
C672			CE04KW1H010M	ELECTRO	1.0UF	50WV
C673			CE04KW1C470M	ELECTRO	47UF	16WV
C675			CC73FCH1H040C	CHIP C	4.0PF	C
C676			CC73FCH1H470J	CHIP C	47PF	J
C678			CK73FB1H223K	CHIP C	0.022UF	K
C679,680			CK73FB1H332K	CHIP C	3300PF	K
C679,680			CK73FB1H332K	CHIP C	3300PF	K

L : Scandinavia K : USA P : Canada R : Mexico C : China I : Malaysia
Y : PX(Far East, Hawaii) T : Europe E : Europe G : Germany V : China (Shanghai)
Y : AAFES(Europe) X : Australia Q : Russia H : Korea M : Other Areas Δ indicates safety critical components.

* New Parts
 Parts without **Parts No.** are not supplied.
 Les articles non mentionnés dans le **Parts No.** ne sont pas fournis.
 Teile ohne **Parts No.** werden nicht geliefert.

19

Ref. No	Add-ress	New Parts	Parts No.	Description	Desti-nation	Re-marks
C679,680			CK73FB1H392K	CHIP C 3900PF K	KP1	
C679,680			CK73FB1H392K	CHIP C 3900PF K	K2P2	
C681			CK73FF1C105Z	CHIP C 1.0UF Z		
C682			CK73FB1H103K	CHIP C 0.010UF K	KP1	
C682			CK73FB1H103K	CHIP C 0.010UF K	K2P2	
C684,685			CK73FB1H223K	CHIP C 0.022UF K		
C686			CK73FB1H471K	CHIP C 470PF K		
C687			CK73FB1H102K	CHIP C 1000PF K		
C688			CC45FSL1H101J	CERAMIC 100PF J	M2C2	
C688			CC45FSL1H101J	CERAMIC 100PF J	Y1M1C1	
CN1			E40-9831-05	SOCKET FOR PIN ASSY		
CN2			E40-9836-05	SOCKET FOR PIN ASSY		
CN3			E40-9825-05	SOCKET FOR PIN ASSY		
CN4		*	E40-9834-05	SOCKET FOR PIN ASSY		
CN5			E40-4609-05	PIN ASSY		
CN7			E40-9825-05	SOCKET FOR PIN ASSY		
CN10		*	E40-9820-05	SOCKET FOR PIN ASSY		
CN11			E40-4609-05	PIN ASSY		
CN12			E40-4871-05	PIN ASSY	KP1	
CN12			E40-4871-05	PIN ASSY	K2P2	
J1	2C		E63-0139-15	PHONO JACK CD,MD/TAPE		
J2 ,3	1C,2C		E63-0136-15	PHONO JACK CD2/TAPE2,VIDEO		
J4	2C		E63-0139-15	PHONO JACK VIDEO1,2		
J5	1C		E63-0133-15	PHONO JACK SECOND ROOM	K2P2	
J6	2C		E63-1008-05	PHONO JACK SURROUND,PREOUT		
J12	1C	*	E11-0373-05	MINIATURE PHONE JACK(RELAY,TV)	K2P2	
J13	1C	*	E11-0373-05	MINIATURE PHONE JACK(IR I/O)		
J14	1C	*	E11-0291-05	MINIATURE PHONE JACK(IR REPEAT	K2P2	
J21	2A		E11-0271-05	PHONE JACK(HEADPHONES)		
J601	1C		E70-0052-05	LOCK TERMINAL BOARD(ANT)		
W999			E29-1633-04	LEAD PLATE		
E11	2B	*	J19-5876-04	LED HOLDER		
E23 ,24			J11-0808-05	WIRE CLAMPER		
CF601,602			L72-0531-05	CERAMIC FILTER	M2C2	
CF601,602			L72-0531-05	CERAMIC FILTER	Y1M1C1	
CF601,602			L72-0596-05	CERAMIC FILTER	KP1	
CF601,602			L72-0596-05	CERAMIC FILTER	K2P2	
CF603			L72-0607-05	CERAMIC FILTER	M2C2	
CF603			L72-0607-05	CERAMIC FILTER	Y1M1C1	
L601			L39-1366-05	COMBINATION COIL		
L602			L40-1091-17	SMALL FIXED INDUCTOR(1UH)		
L603			L30-0911-05	AM IFT		
L604			L30-0950-05	FM IFT	KP1	
L604			L30-0950-05	FM IFT	K2P2	
L605			L30-0951-05	FM IFT	KP1	
L605			L30-0951-05	FM IFT	K2P2	
L606,607			L79-1239-05	LC FILTER	KP1	
L606,607			L79-1239-05	LC FILTER	K2P2	
L609			L40-1001-17	SMALL FIXED INDUCTOR(10UH,K)		
X601			L77-2159-05	CRYSTAL RESONATOR(7.2MHZ)		
R1 ,2			RK73FB2A221J	CHIP R 220 J 1/10W		
R3 ,4			RK73FB2A224J	CHIP R 220K J 1/10W		
R5 ,6			RK73FB2A102J	CHIP R 1.0K J 1/10W		

L : Scandinavia K : USA P : Canada R : Mexico C : China I : Malaysia
 Y : PX(Far East, Hawaii) T : Europe E : Europe G : Germany V : China (Shanghai)
 Y : AAFES(Europe) X : Australia Q : Russia H : Korea M : Other Areas Δ indicates safety critical components.

* New Parts
 Parts without **Parts No.** are not supplied.
 Les articles non mentionnés dans le **Parts No.** ne sont pas fournis.
 Teile ohne **Parts No.** werden nicht geliefert.

20

Ref. No	Add-ress	New Parts	Parts No.	Description	Desti-nation	Re-marks
R7 ,8			RK73FB2A224J	CHIP R 220K J 1/10W		
R9 ,10			RK73FB2A221J	CHIP R 220 J 1/10W		
R11 ,12			RK73FB2A224J	CHIP R 220K J 1/10W		
R13 ,14			RK73FB2A102J	CHIP R 1.0K J 1/10W		
R15 ,16			RK73FB2A224J	CHIP R 220K J 1/10W		
R18			RK73FB2A102J	CHIP R 1.0K J 1/10W		
R19 ,20			RK73FB2A224J	CHIP R 220K J 1/10W		
R21			RK73FB2A474J	CHIP R 470K J 1/10W		
R24 -26			RK73FB2A474J	CHIP R 470K J 1/10W		
R27 ,28			RK73FB2A101J	CHIP R 100 J 1/10W		
R31 -36			RK73FB2A224J	CHIP R 220K J 1/10W		
R38 -40			RK73FB2A152J	CHIP R 1.5K J 1/10W	K2P2	
R41 ,42			RK73FB2A102J	CHIP R 1.0K J 1/10W		
R43 ,44			RK73FB2A224J	CHIP R 220K J 1/10W		
R45 ,46			RK73FB2A102J	CHIP R 1.0K J 1/10W		
R47 ,48			RK73FB2A224J	CHIP R 220K J 1/10W		
R53 ,54			RK73FB2A102J	CHIP R 1.0K J 1/10W		
R55 ,56			RK73FB2A224J	CHIP R 220K J 1/10W		
R57 ,58			RK73FB2A221J	CHIP R 220 J 1/10W		
R59 ,60			RK73FB2A224J	CHIP R 220K J 1/10W		
R61 ,62			RK73FB2A102J	CHIP R 1.0K J 1/10W		
R63 ,64			RK73FB2A224J	CHIP R 220K J 1/10W		
R65 ,66			RK73FB2A224J	CHIP R 220K J 1/10W	K2P2	
R67 ,68			RK73FB2A221J	CHIP R 220 J 1/10W	K2P2	
R69 -71			RK73FB2A474J	CHIP R 470K J 1/10W		
R75 -78			RK73FB2A104J	CHIP R 100K J 1/10W		
R79 -81			RK73FB2A152J	CHIP R 1.5K J 1/10W		
R83 ,84			RK73FB2A152J	CHIP R 1.5K J 1/10W	K2P2	
R85 ,86			RK73FB2A224J	CHIP R 220K J 1/10W	K2P2	
R87 ,88			RK73FB2A101J	CHIP R 100 J 1/10W	K2P2	
R89 ,90			RK73FB2A221J	CHIP R 220 J 1/10W		
R91			RK73FB2A102J	CHIP R 1.0K J 1/10W		
R92 ,93			RK73FB2A103J	CHIP R 10K J 1/10W	K2P2	
R94			RK73FB2A101J	CHIP R 100 J 1/10W		
R95			RK73FB2A102J	CHIP R 1.0K J 1/10W	K2P2	
R97			RK73FB2A101J	CHIP R 100 J 1/10W		
R101,102			RK73FB2A124J	CHIP R 120K J 1/10W		
R103,104			RK73FB2A272J	CHIP R 2.7K J 1/10W		
R105,106			RK73FB2A113J	CHIP R 11K J 1/10W		
R107,108			RK73FB2A224J	CHIP R 220K J 1/10W		
R109,110			RK73FB2A222J	CHIP R 2.2K J 1/10W		
R111,112			RK73FB2A241J	CHIP R 240 J 1/10W		
R113,114			RK73FB2A472J	CHIP R 4.7K J 1/10W		
R115,116			RK73FB2A222J	CHIP R 2.2K J 1/10W		
R117,118			RK73FB2A102J	CHIP R 1.0K J 1/10W		
R121,122			RK73FB2A224J	CHIP R 220K J 1/10W		
R123,124			RK73FB2A104J	CHIP R 100K J 1/10W		
R125-127			RK73FB2A474J	CHIP R 470K J 1/10W		
R128,129			RK73FB2A822J	CHIP R 8.2K J 1/10W		
R131,132			RK73FB2A101J	CHIP R 100 J 1/10W		
R133,134			RK73FB2A105J	CHIP R 1.0M J 1/10W		
R151,152			RK73FB2A124J	CHIP R 120K J 1/10W		
R153,154			RK73FB2A272J	CHIP R 2.7K J 1/10W		
R155,156			RK73FB2A113J	CHIP R 11K J 1/10W		
R157,158			RK73FB2A224J	CHIP R 220K J 1/10W		

L : Scandinavia K : USA P : Canada R : Mexico C : China I : Malaysia
 Y : PX(Far East, Hawaii) T : Europe E : Europe G : Germany V : China (Shanghai)
 Y : AAFES(Europe) X : Australia Q : Russia H : Korea M : Other Areas Δ indicates safety critical components.

PARTS LIST

KRF-V7771D/V8881D/NR-2080/2090

* New Parts
 Parts without **Parts No.** are not supplied.
 Les articles non mentionnés dans le **Parts No.** ne sont pas fournis.
 Teile ohne **Parts No.** werden nicht geliefert.

23

Ref. No	Add-ress	New Parts	Parts No.	Description	Desti-nation	Re-marks
R625			RK73FB2A183J	CHIP R 18K	J 1/10W	K2P2
R627,628			RK73FB2A472J	CHIP R 4.7K	J 1/10W	KP1
R627,628			RK73FB2A472J	CHIP R 4.7K	J 1/10W	K2P2
R627,628			RK73FB2A822J	CHIP R 8.2K	J 1/10W	M2C2
R627,628			RK73FB2A822J	CHIP R 8.2K	J 1/10W	Y1M1C1
R630			RK73FB2A561J	CHIP R 560	J 1/10W	M2C2
R630			RK73FB2A561J	CHIP R 560	J 1/10W	Y1M1C1
R631			RK73FB2A473J	CHIP R 47K	J 1/10W	M2C2
R631			RK73FB2A473J	CHIP R 47K	J 1/10W	Y1M1C1
R633,634			RK73FB2A102J	CHIP R 1.0K	J 1/10W	
R635,636			RK73FB2A101J	CHIP R 100	J 1/10W	K2P2
R637			RK73FB2A392J	CHIP R 3.9K	J 1/10W	K2P2
R638			RK73FB2A102J	CHIP R 1.0K	J 1/10W	K2P2
R639			RK73FB2A103J	CHIP R 10K	J 1/10W	K2P2
R642			RK73FB2A103J	CHIP R 10K	J 1/10W	
R643			RK73FB2A221J	CHIP R 220	J 1/10W	
R644			RD14NB2E271J	RD 270	J 1/4W	
R645			RK73EB2B102J	CHIP R 1.0K	J 1/8W	
R646			RK73FB2A102J	CHIP R 1.0K	J 1/10W	
R647			RK73EB2B102J	CHIP R 1.0K	J 1/8W	
R648			RK73FB2A102J	CHIP R 1.0K	J 1/10W	
R649			RK73FB2A103J	CHIP R 10K	J 1/10W	
R650			RD14NB2E471J	RD 470	J 1/4W	
R651			RK73FB2A562J	CHIP R 5.6K	J 1/10W	
R652			RK73FB2A101J	CHIP R 100	J 1/10W	
R653			RK73FB2A222J	CHIP R 2.2K	J 1/10W	
R654			RK73FB2A102J	CHIP R 1.0K	J 1/10W	
R655			RK73FB2A103J	CHIP R 10K	J 1/10W	
R656,657			RK73FB2A102J	CHIP R 1.0K	J 1/10W	
R658			RK73FB2A123J	CHIP R 12K	J 1/10W	
R659			RK73FB2A122J	CHIP R 1.2K	J 1/10W	
R672,673			RK73FB2A392J	CHIP R 3.9K	J 1/10W	KP1
R672,673			RK73FB2A392J	CHIP R 3.9K	J 1/10W	K2P2
R672,673			RK73FB2A822J	CHIP R 8.2K	J 1/10W	M2C2
R672,673			RK73FB2A822J	CHIP R 8.2K	J 1/10W	Y1M1C1
R674			RK73FB2A473J	CHIP R 47K	J 1/10W	
R675			RK73FB2A822J	CHIP R 8.2K	J 1/10W	
R676			RK73FB2A182J	CHIP R 1.8K	J 1/10W	
R678			RK73FB2A821J	CHIP R 820	J 1/10W	
R680			RK73FB2A104J	CHIP R 100K	J 1/10W	K2P2
R681			RS14KB3A151J	FL-PROOF RS 150	J 1W	
R682			RK73FB2A272J	CHIP R 2.7K	J 1/10W	KP1
R682			RK73FB2A272J	CHIP R 2.7K	J 1/10W	K2P2
R683			RK73FB2A102J	CHIP R 1.0K	J 1/10W	
R685-687			RK73FB2A105J	CHIP R 1.0M	J 1/10W	
R688			RK73FB2A563J	CHIP R 56K	J 1/10W	
VR601			R12-3685-05	TRIMMING POT.(10K)		
W303-310			R92-0670-05	CHIP R 0 OHM		
W303-310			R92-0670-05	CHIP R 0 OHM		M2C2
W303-319			R92-0670-05	CHIP R 0 OHM		K2P2
W313-316			R92-0670-05	CHIP R 0 OHM		
W313-316			R92-0670-05	CHIP R 0 OHM		M2C2
W318,319			R92-0670-05	CHIP R 0 OHM		
W318,319			R92-0670-05	CHIP R 0 OHM		M2C2
W321			R92-0670-05	CHIP R 0 OHM		

L : Scandinavia K : USA P : Canada R : Mexico C : China I : Malaysia
 Y : PX(Far East, Hawaii) T : Europe E : Europe G : Germany V : China (Shanghai)
 Y : AAFES(Europe) X : Australia Q : Russia H : Korea M : Other Areas Δ indicates safety critical components.

* New Parts
 Parts without **Parts No.** are not supplied.
 Les articles non mentionnés dans le **Parts No.** ne sont pas fournis.
 Teile ohne **Parts No.** werden nicht geliefert.

24

Ref. No	Add-ress	New Parts	Parts No.	Description	Desti-nation	Re-marks
W323			R92-0670-05	CHIP R 0 OHM		
W325-329			R92-0670-05	CHIP R 0 OHM		
W331			R92-0670-05	CHIP R 0 OHM		
W651,652			R92-0670-05	CHIP R 0 OHM		M2C2
W654-657			R92-0670-05	CHIP R 0 OHM		
W654-657			R92-0670-05	CHIP R 0 OHM		Y1M1C1
W654,655			R92-0670-05	CHIP R 0 OHM		KP1
W654,655			R92-0670-05	CHIP R 0 OHM		K2P2
W657			R92-0670-05	CHIP R 0 OHM		KP1
W657			R92-0670-05	CHIP R 0 OHM		K2P2
W659,660			R92-0670-05	CHIP R 0 OHM		
W662			R92-0670-05	CHIP R 0 OHM		M2C2
W662			R92-0670-05	CHIP R 0 OHM		Y1M1C1
W680			R92-0679-05	CHIP R 0 OHM		
W682-685			R92-0679-05	CHIP R 0 OHM		M2C2
W682-685			R92-0679-05	CHIP R 0 OHM		Y1M1C1
W684,685			R92-0679-05	CHIP R 0 OHM		KP1
W684,685			R92-0679-05	CHIP R 0 OHM		K2P2
W687,688			R92-0679-05	CHIP R 0 OHM		
S601	1C		S62-0034-05	SLIDE SWITCH (DE-EMPHASIS)		M2C2
S601	1C		S62-0034-05	SLIDE SWITCH (DE-EMPHASIS)		Y1M1C1
S1	2A	*	T99-0606-05	ROTARY ENCODER (VOLUME)		
D2			DA204U	DIODE		
D2			1SS302	DIODE		
D5			DA204U	DIODE		K2P2
D5			1SS302	DIODE		K2P2
D6			DA204U	DIODE		
D6			1SS302	DIODE		
D13			MA111	DIODE		
D14			HZS11N(B)	ZENER DIODE		
D14			RD11ES(B)	ZENER DIODE		
D31			UDZ5.6B	ZENER DIODE		K2P2
D32			MA111	DIODE		K2P2
D34			UDZ5.1B	ZENER DIODE		K2P2
D35			HZS5.1N(B2)	ZENER DIODE		
D35			RD5.1ES(B2)	ZENER DIODE		
D601			DA204K	DIODE		
D603			HZS8.2N(B2)	ZENER DIODE		
D603			RD8.2ES(B2)	ZENER DIODE		
D604			HZS5.1N(B2)	ZENER DIODE		
D604			RD5.1ES(B2)	ZENER DIODE		
D605			HZS2.7N(B2)	ZENER DIODE		
D605			RD2.7ES(B2)	ZENER DIODE		
D608			MA111	DIODE		
D609			HZS3.3N(B2)	ZENER DIODE		
D609			RD3.3ES(B2)	ZENER DIODE		
D611			MA111	DIODE		K2P2
D612			HSS104	DIODE		
D612			1SS133	DIODE		
D613			MA111	DIODE		
D615			U1BC44	DIODE		
IC1,2			TC9164AF	MOS-IC		
IC3			NJM4565D	ANALOGUE IC		

L : Scandinavia K : USA P : Canada R : Mexico C : China I : Malaysia
 Y : PX(Far East, Hawaii) T : Europe E : Europe G : Germany V : China (Shanghai)
 Y : AAFES(Europe) X : Australia Q : Russia H : Korea M : Other Areas Δ indicates safety critical components.

PARTS LIST

KRF-V7771D/V8881D/NR-2080/2090

* New Parts
Parts without **Parts No.** are not supplied.
Les articles non mentionnés dans le **Parts No.** ne sont pas fournis.
Teile ohne **Parts No.** werden nicht geliefert.

25

Ref. No	Add-ress	New Parts	Parts No.	Description	Desti-nation	Re-marks
IC4			TC9163AF	MOS-IC		
IC5			NJM4565D	ANALOGUE IC	K2P	
IC21			TC9412AP	MOS-IC		
IC22			NJM4565D	ANALOGUE IC		
IC23			TC9413P	MOS-IC		
IC24			NJM4565D	ANALOGUE IC		
IC25			TC9413P	MOS-IC		
IC26			NJM4565D	ANALOGUE IC		
IC27			TC9413P	MOS-IC	K2P2	
IC28			NJM4565D	ANALOGUE IC	K2P2	
IC30,31			NJM4565D	ANALOGUE IC		
IC42			TC9163AF	MOS-IC		
IC43			NJM4565D	ANALOGUE IC		
IC44			TC9184AP	MOS-IC		
IC47-49			NJM4565L	ANALOGUE IC		
IC51-53			NJM4565D	ANALOGUE IC		
IC601			LA1837	ANALOGUE IC	KP1	
IC601			LA1837	ANALOGUE IC	K2P2	
IC601			LA1838	ANALOGUE IC	M2C2	
IC601			LA1838	ANALOGUE IC	Y1M1C1	
IC602			LC72131	MOS-IC		
Q1 -12			2SC4213(B)	TRANSISTOR		
Q13			2SC4081(R,S)	TRANSISTOR	K2P2	
Q13			2SC4116(Y,GR)	TRANSISTOR	K2P2	
Q14			DTA113ZUA	DIGITAL TRANSISTOR	K2P2	
Q14			UN5119	DIGITAL TRANSISTOR	K2P2	
Q15			DTA113ZUA	DIGITAL TRANSISTOR		
Q15			UN5119	DIGITAL TRANSISTOR		
Q16			2SC4081(R,S)	TRANSISTOR		
Q16			2SC4116(Y,GR)	TRANSISTOR		
Q17			DTA113ZUA	DIGITAL TRANSISTOR	K2P2	
Q17			UN5119	DIGITAL TRANSISTOR	K2P2	
Q18			2SC4081(R,S)	TRANSISTOR	K2P2	
Q18			2SC4116(Y,GR)	TRANSISTOR	K2P2	
Q19			DTA113ZUA	DIGITAL TRANSISTOR	K2P2	
Q19			UN5119	DIGITAL TRANSISTOR		
Q20			2SC4081(R,S)	TRANSISTOR		
Q20			2SC4116(Y,GR)	TRANSISTOR		
Q21			2SA1576A(R,S)	TRANSISTOR		
Q21			2SA1586(Y,GR)	TRANSISTOR		
Q22			2SC4081(R,S)	TRANSISTOR		
Q22			2SC4116(Y,GR)	TRANSISTOR		
Q23			DTA113ZUA	DIGITAL TRANSISTOR		
Q23			UN5119	DIGITAL TRANSISTOR		
Q24			2SC4081(R,S)	TRANSISTOR		
Q24			2SC4116(Y,GR)	TRANSISTOR		
Q33 -36			2SC4213(B)	TRANSISTOR		
Q41 ,42			2SC3940A(R,S)	TRANSISTOR		
Q601			2SC4081(R,S)	TRANSISTOR		
Q601			2SC4116(Y,GR)	TRANSISTOR		
Q602			2SA1576A(R,S)	TRANSISTOR	M2C2	
Q602			2SA1586(Y,GR)	TRANSISTOR	Y1M1C1	
Q603,604			2SC4081(R,S)	TRANSISTOR	M2C2	
Q603,604			2SC4081(R,S)	TRANSISTOR	Y1M1C1	
Q603,604			2SC4116(Y,GR)	TRANSISTOR	M2C2	

L : Scandinavia K : USA P : Canada R : Mexico C : China I : Malaysia

Y : PX(Far East, Hawaii) T : Europe E : Europe G : Germany V : China (Shanghai)

Y : AAFES(Europe) X : Australia Q : Russia H : Korea M : Other Areas Δ indicates safety critical components.

* New Parts
Parts without **Parts No.** are not supplied.
Les articles non mentionnés dans le **Parts No.** ne sont pas fournis.
Teile ohne **Parts No.** werden nicht geliefert.

26

Ref. No	Add-ress	New Parts	Parts No.	Description	Desti-nation	Re-marks
Q603,604			2SC4116(Y,GR)	TRANSISTOR	Y1M1C1	
Q606,607			2SC4081(R,S)	TRANSISTOR	K2P2	
Q606,607			2SC4116(Y,GR)	TRANSISTOR	K2P2	
Q610,611			2SD1757K	TRANSISTOR		
Q612			2SA1576A(R,S)	TRANSISTOR		
Q612			2SA1586(Y,GR)	TRANSISTOR		
Q614			2SA1576A(R,S)	TRANSISTOR		
Q614			2SA1586(Y,GR)	TRANSISTOR		
A601			W02-2622-05	FM FRONT-END ASSY		
POWER SUPPLY (X25-6040-10/X25-6133-01)						
D63 ,64			B30-2493-05	LED(RED)		
D66			B30-2493-05	LED(RED)		
D67 ,68			B30-2430-05	LED(RED)		
D69			B30-1010-05	LED(SLP-281F-50U)		
D70			B30-2493-05	LED(RED)		
D73			B30-2493-05	LED(RED)		
C1 ,2			CC73FSL1H101J	CHIP C	100PF	J
C3 ,4			CE04KW1H100M	ELECTRO	10UF	50WV
C5 ,6			CQ93FMG1H332J	MYLAR	3300PF	J
C7 ,8			CQ93FMG1H123J	MYLAR	0.012UF	J
C9 ,10			CE04KW1A101M	ELECTRO	100UF	10WV
C11			CK73FB1H103K	CHIP C	0.010UF	K
C12 -14			CC73FSL1H102J	CHIP C	1000PF	J
C15 ,16			CC73FSL1H221J	CHIP C	220PF	J
C17 ,18			CE04KW1H100M	ELECTRO	10UF	50WV
C19 ,20			CE04KW1E470M	ELECTRO	47UF	25WV
C21 ,22			CC73FSL1H181J	CHIP C	180PF	J
C23 ,24			CC73FSL1H221J	CHIP C	220PF	J
C101-104			CC73FSL1H101J	CHIP C	100PF	J
C101-104			CC73FSL1H101J	CHIP C	100PF	J
C107,108			CC73FSL1H101J	CHIP C	100PF	J
C107,108			CC73FSL1H470J	CHIP C	47PF	J
C109,110			CC73FSL1H470J	CHIP C	47PF	J
C109,110			CC73FSL1H101J	CHIP C	100PF	J
C111-114			CC73FSL1H101J	CHIP C	100PF	J
C111-114			CC73FSL1H101J	CHIP C	100PF	J
C115			CK45FF1H223Z	CERAMIC	0.022UF	Z
C115			CK45FF1H223Z	CERAMIC	0.022UF	Z
C116			CE04KW1HR22M	ELECTRO	0.22UF	50WV
C116			CE04KW1HR22M	ELECTRO	0.22UF	50WV
C119			CK45FF1H223Z	CERAMIC	0.022UF	Z
C119			CK45FF1H223Z	CERAMIC	0.022UF	Z
C120			CE04KW1HR22M	ELECTRO	0.22UF	50WV
C120			CE04KW1HR22M	ELECTRO	0.22UF	50WV
C121			CK73FB1H223K	CHIP C	0.022UF	K
C121			CK73FB1H223K	CHIP C	0.022UF	K
C122			CE04KW1C331M	ELECTRO	330UF	16WV
C122			CE04KW1C331M	ELECTRO	330UF	16WV
C123			CK45FF1H223Z	CERAMIC	0.022UF	Z
C123			CK45FF1H223Z	CERAMIC	0.022UF	Z
C124			CE04KW1HR22M	ELECTRO	0.22UF	50WV
C124			CE04KW1HR22M	ELECTRO	0.22UF	50WV
C124			CE04KW1HR22M	ELECTRO	0.22UF	50WV
C125			CK45FF1H223Z	CERAMIC	0.022UF	Z

L : Scandinavia K : USA P : Canada R : Mexico C : China I : Malaysia

Y : PX(Far East, Hawaii) T : Europe E : Europe G : Germany V : China (Shanghai)

Y : AAFES(Europe) X : Australia Q : Russia H : Korea M : Other Areas Δ indicates safety critical components.

PARTS LIST

KRF-V7771DN/8881D/MR-2080/2090

* New Parts
Parts without **Parts No.** are not supplied.
Les articles non mentionnés dans le **Parts No.** ne sont pas fournis.
Teile ohne **Parts No.** werden nicht geliefert.

27

Ref. No	Add-ress	New Parts	Parts No.	Description	Desti-nation	Re-marks
C125			CK45FF1H223Z	CERAMIC 0.022UF Z	M1C1C2	
C126,127			CE04KW1HR22M	ELECTRO 0.22UF 50WV	K2P2M2	
C126,127			CE04KW1HR22M	ELECTRO 0.22UF 50WV	M1C1C2	
C128,129			CK73FB1H223K	CHIP C 0.022UF K	K2P2M2	
C128,129			CK73FB1H223K	CHIP C 0.022UF K	M1C1C2	
C130			CC73FSL1H101J	CHIP C 100PF J	K2P2M2	
C130			CC73FSL1H101J	CHIP C 100PF J	M1C1C2	
C132			CC73FSL1H220J	CHIP C 22PF J	K2P2M2	
C132			CC73FSL1H220J	CHIP C 22PF J	M1C1C2	
C134			CC73FSL1H220J	CHIP C 22PF J	K2P2M2	
C134			CC73FSL1H220J	CHIP C 22PF J	M1C1C2	
C135			CE04HW1E100M	NP-ELEC 10UF 25WV	K2P2	
C136			CK73FB1H103K	CHIP C 0.010UF K	K2P2	
C137,138			CC73FSL1H220J	CHIP C 22PF J	K2P2M2	
C137,138			CC73FSL1H220J	CHIP C 22PF J	M1C1C2	
C139			CK73FB1H103K	CHIP C 0.010UF K	K2P2M2	
C139			CK73FB1H103K	CHIP C 0.010UF K	M1C1C2	
C140,141			CE04KW1H100M	ELECTRO 10UF 50WV	K2P2M2	
C140,141			CE04KW1H100M	ELECTRO 10UF 50WV	M1C1C2	
C142			CK73FB1H103K	CHIP C 0.010UF K	K2P2M2	
C142			CK73FB1H103K	CHIP C 0.010UF K	M1C1C2	
C143			CE04KW1C331M	ELECTRO 330UF 16WV	K2P2M2	
C143			CE04KW1C331M	ELECTRO 330UF 16WV	M1C1C2	
C144			CE04KW1H2R2M	ELECTRO 2.2UF 50WV	K2P2	
C145			CC73FSL1H220J	CHIP C 22PF J	K2P2	
C146			CE04KW1C331M	ELECTRO 330UF 16WV	K2P2	
C147			CC73FSL1H101J	CHIP C 100PF J	K2P2	
C148			CK73FB1H103K	CHIP C 0.010UF K	K2P2	
C149			CC73FSL1H101J	CHIP C 100PF J	K2P2M2	
C150			CC73FSL1H101J	CHIP C 100PF J	M1C1C2	
C150			CK73FB1E104K	CHIP C 0.10UF K	K2P2M2	
C151-154			CK73FB1E104K	CHIP C 0.10UF K	M1C1C2	
C201,202			CC73FSL1H471J	CHIP C 470PF J	K2P2	
C203,204			CE04KW1H3R3M	ELECTRO 3.3UF 50WV	K2P2	
C205			CK73FB1H103K	CHIP C 0.010UF K	K2P2	
C206			CC73FSL1H102J	CHIP C 1000PF J	K2P2	
C207,208			CC73FSL1H821J	CHIP C 820PF J	K2P2	
C209,210			CE04KW1E470M	ELECTRO 47UF 25WV	K2P2	
C211,212			CC73FSL1H470J	CHIP C 47PF J	K2P2	
C213,214			CE04KW1H4R7M	ELECTRO 4.7UF 50WV	K2P2	
C217,218			CE04KW1H3R3M	ELECTRO 3.3UF 50WV	K2P2	
C227			CC73FSL1H101J	CHIP C 100PF J	K2P2	
C301,302			CE04KW1H4R7M	ELECTRO 4.7UF 50WV	K2P2	
C303,304			CC73FSL1H271J	CHIP C 270PF J	K2P2	
C305-308			CC73FSL1H101J	CHIP C 100PF J	K2P2	
C309,310			CE04KW1A221M	ELECTRO 220UF 10WV	K2P2	
C311,312			CK73FB1H222K	CHIP C 2200PF K	K2P2	
C313-316			CC45FSL2H560J	CERAMIC 56PF J	K2P2	
C317,318			CE04KW1H470M	ELECTRO 47UF 50WV	K2P2	
C319,320			CC73FSL1H330J	CHIP C 33PF J	K2P2	
C321,322			CK73FB1H103K	CHIP C 0.010UF K	K2P2	
C325,326			CC73FSL1H151J	CHIP C 150PF J	K2P2	
C351,352			CE04KW1H4R7M	ELECTRO 4.7UF 50WV	K2P2	
C353,354			CC73FSL1H271J	CHIP C 270PF J	K2P2	

L : Scandinavia K : USA P : Canada R : Mexico C : China I : Malaysia
Y : PX(Far East, Hawaii) T : Europe E : Europe G : Germany V : China (Shanghai)
Y : AAFES(Europe) X : Australia Q : Russia H : Korea M : Other Areas Δ indicates safety critical components.

* New Parts
Parts without **Parts No.** are not supplied.
Les articles non mentionnés dans le **Parts No.** ne sont pas fournis.
Teile ohne **Parts No.** werden nicht geliefert.

28

Ref. No	Add-ress	New Parts	Parts No.	Description	Desti-nation	Re-marks
C355-358			CC73FSL1H101J	CHIP C 100PF J	K2P2	
C359,360			CE04KW1A221M	ELECTRO 220UF 10WV	K2P2	
C361,362			CK73FB1H222K	CHIP C 2200PF K	K2P2	
C363-366			CC45FSL2H560J	CERAMIC 56PF J	K2P2	
C367,368			CE04KW1H470M	ELECTRO 47UF 50WV	K2P2	
C369,370			CC73FSL1H330J	CHIP C 33PF J	K2P2	
C371			CK73FB1H153K	CHIP C 0.015UF K	K2P2	
C372			CK73FB1H103K	CHIP C 0.010UF K	K2P2	
C375,376			CC73FSL1H151J	CHIP C 150PF J	K2P2	
C401			CE04KW1H4R7M	ELECTRO 4.7UF 50WV	K2P2	
C402			CC73FSL1H271J	CHIP C 270PF J	K2P2	
C403,404			CC73FSL1H101J	CHIP C 100PF J	K2P2	
C405			CE04KW1A221M	ELECTRO 220UF 10WV	K2P2	
C406			CK73FB1H222K	CHIP C 2200PF K	K2P2	
C407,408			CC45FSL2H560J	CERAMIC 56PF J	K2P2	
C409			CE04KW1H470M	ELECTRO 47UF 50WV	K2P2	
C410			CC73FSL1H330J	CHIP C 33PF J	K2P2	
C411			CK73FB1H153K	CHIP C 0.015UF K	K2P2	
C413			CC73FSL1H151J	CHIP C 150PF J	K2P2	
C452			CE04KW2A4R7M	ELECTRO 4.7UF 100WV	K2P2	
C453,454			CE04KW1E470M	ELECTRO 47UF 25WV	K2P2	
C455			CC73FSL1H102J	CHIP C 1000PF J	K2P2	
C456,457			CE04KW2A4R7M	ELECTRO 4.7UF 100WV	K2P2	
C458			CE04KW1E470M	ELECTRO 47UF 25WV	K2P2	
C460			CE04KW1E220M	ELECTRO 22UF 25WV	K2P2	
C461			CC73FSL1H102J	CHIP C 1000PF J	K2P2	
C463			CE04KW1A221M	ELECTRO 220UF 10WV	K2P2	
C501			CC73FSL1H101J	CHIP C 100PF J	K2P2	
C502			CE04HW1E100M	NP-ELEC 10UF 25WV	K2P2	
C503			CE04KW1H100M	ELECTRO 10UF 50WV	K2P2	
C504			CK73FB1H103K	CHIP C 0.010UF K	K2P2	
C505			CE04KW1H2R2M	ELECTRO 2.2UF 50WV	K2P2	
C506			CC73FSL1H220J	CHIP C 22PF J	K2P2	
C507			CE04KW1H2R2M	ELECTRO 2.2UF 50WV	K2P2	
C509			CC73FSL1H220J	CHIP C 22PF J	K2P2	
C510			CK73FB1H103K	CHIP C 0.010UF K	K2P2	
C511			CE04KW1C331M	ELECTRO 330UF 16WV	K2P2	
C513			CE04KW1C331M	ELECTRO 330UF 16WV	K2P2	
C514-517			CC73FSL1H101J	CHIP C 100PF J	K2P2	
C519			CC73FSL1H101J	CHIP C 100PF J	K2P2	
C520,521			CE04KW1H2R2M	ELECTRO 2.2UF 50WV	K2P2	
C522,523			CE04KW1H100M	ELECTRO 10UF 50WV	K2P2	
C524,525			CK73FB1H103K	CHIP C 0.010UF K	K2P2	
C526			CK73FB1E104K	CHIP C 0.10UF K	K2P2	
C526			CK73FB1E104K	CHIP C 0.10UF K	K2P2	
C527			CC73FSL1H101J	CHIP C 100PF J	K2P2	
C528-530			CK73FB1E104K	CHIP C 0.10UF K	K2P2	
C528-530			CK73FB1E104K	CHIP C 0.10UF K	K2P2	
C550			CC73FSL1H391J	CHIP C 390PF J	K2P2	
C551,552			CC73FSL1H181J	CHIP C 180PF J	K2P2	
C553,554			CC73FSL1H391J	CHIP C 390PF J	K2P2	
C601,602			CC73FSL1H101J	CHIP C 100PF J	K2P2	
C603			C90-3244-05	ELECTRO 10UF 35WV	K2P2	
C604			CK73FF1C105Z	CHIP C 1.0UF Z	K2P2	
C605			CK73FB1H103K	CHIP C 0.010UF K	K2P2	

L : Scandinavia K : USA P : Canada R : Mexico C : China I : Malaysia
Y : PX(Far East, Hawaii) T : Europe E : Europe G : Germany V : China (Shanghai)
Y : AAFES(Europe) X : Australia Q : Russia H : Korea M : Other Areas Δ indicates safety critical components.

PARTS LIST

KRF-V7771D/V8881D/NR-2080/2090

* New Parts
Parts without **Parts No.** are not supplied.
Les articles non mentionnés dans le **Parts No.** ne sont pas fournis.
Teile ohne **Parts No.** werden nicht geliefert.

29

Ref. No	Add-ress	New Parts	Parts No.	Description	Desti-nation	Re-marks
C606-608			CC73FSL1H101J	CHIP C 100PF J		
C609-615			CK73FB1H103K	CHIP C 0.010UF K		
C616			C90-3241-05	ELECTRO 3.3UF 35WV		
C617-632			CC73FSL1H221J	CHIP C 220PF J		
C633			CK73FB1H103K	CHIP C 0.010UF K		
C634		*	C90-3255-05	ELECTRO 3.3UF 50WV		
C701-703			CC73FSL1H101J	CHIP C 100PF J		
C704			CC73FSL1H102J	CHIP C 1000PF J	K2P2M2	
C704			CC73FSL1H102J	CHIP C 1000PF J	M1C1C2	
C705			CK73FB1E104K	CHIP C 0.10UF K	K2P2M2	
C705			CK73FB1E104K	CHIP C 0.10UF K	M1C1C2	
C706,707			CC73FSL1H101J	CHIP C 100PF J		
C706,707			CC73FSL1H101J	CHIP C 100PF J	M1C1C2	
C801,802			CK73FB1H103K	CHIP C 0.010UF K		
C803,804			CE04KW1V102M	ELECTRO 1000UF 35WV		
C805,806			CC73FSL1H102J	CHIP C 1000PF J		
C807,808			CK73FB1H103K	CHIP C 0.010UF K		
C809,810			CE04KW1E470M	ELECTRO 47UF 25WV		
C811			CE04KW1V100M	ELECTRO 10UF 35WV		
C812,813			CK73FB1H103K	CHIP C 0.010UF K		
C814,815			CK73FB1H473K	CHIP C 0.047UF K		
C816-818			CE04KW1H100M	ELECTRO 10UF 50WV		
C819,820			CK73FB1H103K	CHIP C 0.010UF K		
C821			CE04KW1C472M	ELECTRO 4700UF 16WV		
C822			CK73FB1H103K	CHIP C 0.010UF K		
C823			CE04KW1V102M	ELECTRO 1000UF 35WV		
C824			CK73FB1H103K	CHIP C 0.010UF K		
C825			CE04DW1E331M	ELECTRO 330UF 25WV		
C826			CK73FB1H103K	CHIP C 0.010UF K		
C827			CE04KW1C470M	ELECTRO 47UF 16WV		
C828			CE04KW1C101M	ELECTRO 100UF 16WV		
C829			CK73FB1H103K	CHIP C 0.010UF K		
C831			CE04KW1C101M	ELECTRO 100UF 16WV		
C901			CK73FB1H103K	CHIP C 0.010UF K	C2	
C901			CK73FB1H103K	CHIP C 0.010UF K	K2P2M2	
C903			CC73FSL1H102J	CHIP C 1000PF J	C2	
C903			CC73FSL1H102J	CHIP C 1000PF J	K2P2M2	
C904			CK73FB1H103K	CHIP C 0.010UF K	C2	
C904			CK73FB1H103K	CHIP C 0.010UF K	K2P2M2	
C905			CE04KW1E470M	ELECTRO 47UF 25WV		
C905			CE04KW1E470M	ELECTRO 47UF 25WV	K2P2M2	
C906			CK73FB1H182K	CHIP C 1800PF K	C2	
C906			CK73FB1H182K	CHIP C 1800PF K	K2P2M2	
C907			CK73FF1C105Z	CHIP C 1.0UF Z	C2	
C907			CK73FF1C105Z	CHIP C 1.0UF Z	K2P2M2	
C908			CK73FB1E104K	CHIP C 0.10UF K	C2	
C908			CK73FB1E104K	CHIP C 0.10UF K	K2P2M2	
C909			CE04KW1E220M	ELECTRO 22UF 25WV	C2	
C909			CE04KW1E220M	ELECTRO 22UF 25WV	K2P2M2	
C910-913			CC73FSL1H102J	CHIP C 1000PF J	K2P2M2	
C910-913			CC73FSL1H102J	CHIP C 1000PF J	M1C1C2	
CN11			E40-9829-05	SOCKET FOR PIN ASSY		
CN21			E40-9848-05	PIN ASSY		
CN22			E40-9853-05	PIN ASSY		

L : Scandinavia K : USA P : Canada R : Mexico C : China I : Malaysia

Y : PX(Far East, Hawaii) T : Europe E : Europe G : Germany V : China (Shanghai)

Y : AAFES(Europe) X : Australia O : Russia H : Korea M : Other Areas Δ indicates safety critical components.

* New Parts
Parts without **Parts No.** are not supplied.
Les articles non mentionnés dans le **Parts No.** ne sont pas fournis.
Teile ohne **Parts No.** werden nicht geliefert.

30

Ref. No	Add-ress	New Parts	Parts No.	Description	Desti-nation	Re-marks
CN23			E40-9842-05	PIN ASSY		
CN24		*	E40-9851-05	PIN ASSY		
CN25			E40-9846-05	PIN ASSY		
CN26		*	E40-9837-05	PIN ASSY		
CN27		*	E40-9820-05	SOCKET FOR PIN ASSY		
CN28		*	E40-9837-05	PIN ASSY		
CN29			E40-9842-05	PIN ASSY		
CN32			E40-4298-05	FLAT CABLE CONNECTOR		
CN33			E40-4938-05	FLAT CABLE CONNECTOR		
CN51			E40-4916-05	FLAT CABLE CONNECTOR		
J1	2C		E63-0200-05	PHONO JACK PHONO		
J2	2B	*	E63-1030-05	PHONO JACK PHONO		
J3	2B		E56-0012-05	CYLINDRICAL RECEPTACLE,VIDEO	K2P2M2	
J3	2B		E56-0012-05	CYLINDRICAL RECEPTACLE,VIDEO	M1C1C2	
J4 ,5	1C		E56-0011-05	CYLINDRICAL RECEPTACLE,VIDEO	K2P2M2	
J4 ,5	1C		E56-0011-05	CYLINDRICAL RECEPTACLE,VIDEO	M1C1C2	
J7			E63-1005-05	PHONO JACK SECOND ROOM(B)	K2P2	
J9	1C		E63-0162-05	PHONO JACK VIDEO3,4		
J11	1C		E63-0162-05	PHONO JACK VIDEO1,2		
Δ F1			F05-1222-05	FUSE (SEMKO) (250V T1.25A L)	M2C2	
Δ F1			F05-1222-05	FUSE (SEMKO) (250V T1.25A L)	Y1M1C1	
Δ F1			F50-0067-05	FUSE(5X20)	KP1	
Δ F1			F50-0067-05	FUSE(5X20)	K2P2	
Δ F2 ,3			F05-1623-05	FUSE (SEMKO) (250V T1.6AL)	M2C2	
Δ F2 ,3			F05-1623-05	FUSE (SEMKO) (250V T1.6AL)	Y1M1C1	
Δ F2 ,3			F50-0068-05	FUSE(5X20)	KP1	
Δ F2 ,3			F50-0068-05	FUSE(5X20)	K2P2	
Δ F4			F05-1222-05	FUSE (SEMKO) (250V T1.25A L)	M2C2	
Δ F4			F05-1222-05	FUSE (SEMKO) (250V T1.25A L)	Y1M1C1	
Δ F4			F50-0067-05	FUSE(5X20)	KP1	
Δ F4			F50-0067-05	FUSE(5X20)	K2P2	
CN81-88			J13-0075-05	FUSE CLIP		
E1			J19-5789-04	HOLDER		
L1 ,2		*	L92-0079-05	CHIP FERRITE		
X1			L78-0284-05	RESONATOR (5MHZ)		
R1 ,2			RK73FB2A102J	CHIP R 1.0K J 1/10W		
R3 ,4			RK73FB2A101J	CHIP R 100 J 1/10W		
R5 ,6			RK73FB2A623J	CHIP R 62K J 1/10W		
R7 ,8			RK73FB2A361J	CHIP R 360 J 1/10W		
R9 ,10			RK73FB2A102J	CHIP R 1.0K J 1/10W		
R15 ,16			RK73FB2A473J	CHIP R 47K J 1/10W		
R17 ,18			RD14NB2E100J	RD 10 J 1/4W		
R19 ,20			RK73FB2A224J	CHIP R 220K J 1/10W		
R101-103			RK73FB2A750J	CHIP R 75 J 1/10W	K2P2M2	
R101-103			RK73FB2A750J	CHIP R 75 J 1/10W	M1C1C2	
R104			RK73FB2A1R0J	CHIP R 1 J 1/10W	K2P2M2	
R104			RK73FB2A1R0J	CHIP R 1 J 1/10W	M1C1C2	
R105			RK73FB2A750J	CHIP R 75 J 1/10W	K2P2M2	
R105			RK73FB2A750J	CHIP R 75 J 1/10W	M1C1C2	
R109			RK73FB2A750J	CHIP R 75 J 1/10W	K2P2M2	
R109			RK73FB2A750J	CHIP R 75 J 1/10W	M1C1C2	
R110			RK73FB2A1R0J	CHIP R 1 J 1/10W	K2P2M2	
R110			RK73FB2A1R0J	CHIP R 1 J 1/10W	M1C1C2	

L : Scandinavia K : USA P : Canada R : Mexico C : China I : Malaysia

Y : PX(Far East, Hawaii) T : Europe E : Europe G : Germany V : China (Shanghai)

Y : AAFES(Europe) X : Australia O : Russia H : Korea M : Other Areas Δ indicates safety critical components.

PARTS LIST

KRF-V7771D/M8881D/MR-2080/2090

* New Parts
 Parts without **Parts No.** are not supplied.
 Les articles non mentionnés dans le **Parts No.** ne sont pas fournis.
 Teile ohne **Parts No.** werden nicht geliefert.

31

Ref. No	Add-ress	New Parts	Parts No.	Description	Desti-nation	Re-marks		
R111			RK73FB2A750J	CHIP R	75	J 1/10W	K2P2M2	
R111			RK73FB2A750J	CHIP R	75	J 1/10W	M1C1C2	
R112			RK73FB2A1R0J	CHIP R	1	J 1/10W	K2P2M2	
R112			RK73FB2A1R0J	CHIP R	1	J 1/10W	M1C1C2	
R113-115			RK73FB2A750J	CHIP R	75	J 1/10W	K2P2M2	
R113-115			RK73FB2A750J	CHIP R	75	J 1/10W	M1C1C2	
R116			RK73FB2A1R0J	CHIP R	1	J 1/10W	K2P2M2	
R116			RK73FB2A1R0J	CHIP R	1	J 1/10W	M1C1C2	
R117			RK73FB2A750J	CHIP R	75	J 1/10W	K2P2M2	
R117			RK73FB2A750J	CHIP R	75	J 1/10W	M1C1C2	
R118			RK73FB2A1R0J	CHIP R	1	J 1/10W	K2P2M2	
R118			RK73FB2A1R0J	CHIP R	1	J 1/10W	M1C1C2	
R119			RK73FB2A750J	CHIP R	75	J 1/10W	K2P2M2	
R119			RK73FB2A750J	CHIP R	75	J 1/10W	M1C1C2	
R120			RK73FB2A1R0J	CHIP R	1	J 1/10W	K2P2M2	
R120			RK73FB2A1R0J	CHIP R	1	J 1/10W	M1C1C2	
R121			RK73FB2A750J	CHIP R	75	J 1/10W	K2P2M2	
R121			RK73FB2A750J	CHIP R	75	J 1/10W	M1C1C2	
R122			RK73FB2A1R0J	CHIP R	1	J 1/10W	K2P2M2	
R122			RK73FB2A1R0J	CHIP R	1	J 1/10W	M1C1C2	
R123,124			RK73FB2A184J	CHIP R	180K	J 1/10W	K2P2M2	
R123,124			RK73FB2A184J	CHIP R	180K	J 1/10W	M1C1C2	
R125			RK73FB2A101J	CHIP R	100	J 1/10W	K2P2M2	
R125			RK73FB2A101J	CHIP R	100	J 1/10W	M1C1C2	
R126			RK73FB2A203J	CHIP R	20K	J 1/10W	K2P2M2	
R126			RK73FB2A203J	CHIP R	20K	J 1/10W	M1C1C2	
R128			RK73FB2A203J	CHIP R	20K	J 1/10W	K2P2M2	
R128			RK73FB2A203J	CHIP R	20K	J 1/10W	M1C1C2	
R129			RK73FB2A184J	CHIP R	180K	J 1/10W	K2P2M2	
R129			RK73FB2A184J	CHIP R	180K	J 1/10W	M1C1C2	
R130			RK73FB2A224J	CHIP R	220K	J 1/10W	K2P2	
R131,132			RK73FB2A103J	CHIP R	10K	J 1/10W	K2P2M2	
R131,132			RK73FB2A103J	CHIP R	10K	J 1/10W	M1C1C2	
R133			RK73FB2A184J	CHIP R	180K	J 1/10W	K2P2M2	
R133			RK73FB2A184J	CHIP R	180K	J 1/10W	M1C1C2	
R135,136			RK73FB2A221J	CHIP R	220	J 1/10W	K2P2M2	
R135,136			RK73FB2A221J	CHIP R	220	J 1/10W	M1C1C2	
R138,139			RK73FB2A103J	CHIP R	10K	J 1/10W	K2P2M2	
R138,139			RK73FB2A103J	CHIP R	10K	J 1/10W	M1C1C2	
R142,143			RK73FB2A103J	CHIP R	10K	J 1/10W	M1C1C2	
R148			RK73FB2A101J	CHIP R	100	J 1/10W	K2P2M2	
R148			RK73FB2A101J	CHIP R	100	J 1/10W	M1C1C2	
R149			RK73FB2A103J	CHIP R	10K	J 1/10W	K2P2M2	
R149			RK73FB2A103J	CHIP R	10K	J 1/10W	M1C1C2	
R150,151			RK73FB2A221J	CHIP R	220	J 1/10W	K2P2M2	
R150,151			RK73FB2A221J	CHIP R	220	J 1/10W	M1C1C2	
R156			RK73FB2A101J	CHIP R	100	J 1/10W	K2P2M2	
R156			RK73FB2A101J	CHIP R	100	J 1/10W	M1C1C2	
R157			RK73FB2A103J	CHIP R	10K	J 1/10W	K2P2M2	
R157			RK73FB2A103J	CHIP R	10K	J 1/10W	M1C1C2	
R158			RK73FB2A221J	CHIP R	220	J 1/10W	K2P2M2	
R158			RK73FB2A221J	CHIP R	220	J 1/10W	M1C1C2	
R159			RK73FB2A361J	CHIP R	360	J 1/10W	K2P2M2	
R159			RK73FB2A361J	CHIP R	360	J 1/10W	M1C1C2	

L : Scandinavia K : USA P : Canada R : Mexico C : China I : Malaysia
 Y : PX(Far East, Hawaii) T : Europe E : Europe G : Germany V : China (Shanghai)
 Y : AAFES(Europe) X : Australia Q : Russia H : Korea M : Other Areas Δ indicates safety critical components.

* New Parts
 Parts without **Parts No.** are not supplied.
 Les articles non mentionnés dans le **Parts No.** ne sont pas fournis.
 Teile ohne **Parts No.** werden nicht geliefert.

32

Ref. No	Add-ress	New Parts	Parts No.	Description	Desti-nation	Re-marks	
R160-163			RK73FB2A101J	CHIP R	100	J 1/10W	K2P2
R165			RK73FB2A103J	CHIP R	10K	J 1/10W	K2P2
R172			RK73FB2A750J	CHIP R	75	J 1/10W	
R173			RK73FB2A104J	CHIP R	100K	J 1/10W	K2P2
R174			RK73FB2A750J	CHIP R	75	J 1/10W	K2P2
R181			RK73FB2A561J	CHIP R	560	J 1/10W	K2P2
R182			RK73FB2A103J	CHIP R	10K	J 1/10W	
R183			RK73FB2A361J	CHIP R	360	J 1/10W	K2P2M2
R183			RK73FB2A361J	CHIP R	360	J 1/10W	M1C1C2
R184			RK73FB2A221J	CHIP R	220	J 1/10W	K2P2M2
R184			RK73FB2A221J	CHIP R	220	J 1/10W	M1C1C2
R192			RK73FB2A561J	CHIP R	560	J 1/10W	
R201,202			RK73FB2A332J	CHIP R	3.3K	J 1/10W	
R203,204			RK73FB2A104J	CHIP R	100K	J 1/10W	K2P2
R205,206			RK73FB2A474J	CHIP R	470K	J 1/10W	
R207-210			RK73FB2A102J	CHIP R	1.0K	J 1/10W	K2P2
R211,212			RK73FB2A332J	CHIP R	3.3K	J 1/10W	
R213,214			RK73FB2A162J	CHIP R	1.6K	J 1/10W	
R215,216			RK73FB2A432J	CHIP R	4.3K	J 1/10W	
R217-220			RK73FB2A102J	CHIP R	1.0K	J 1/10W	K2P2
R221,222			RK73FB2A222J	CHIP R	2.2K	J 1/10W	K2P2
R223			RK73FB2A102J	CHIP R	1.0K	J 1/10W	K2P2
R225,226			RK73FB2A102J	CHIP R	1.0K	J 1/10W	
R227			RK73FB2A102J	CHIP R	1.0K	J 1/10W	K2P2
R301,302			RK73FB2A102J	CHIP R	1.0K	J 1/10W	
R303,304			RK73FB2A104J	CHIP R	100K	J 1/10W	
R305,306			RK73FB2A163J	CHIP R	16K	J 1/10W	
R307-310			RK73FB2A751J	CHIP R	750	J 1/10W	
R311,312			RK73FB2A202J	CHIP R	2.0K	J 1/10W	
R313,314			RK73FB2A222J	CHIP R	2.2K	J 1/10W	
R315-318			RK73FB2A103J	CHIP R	10K	J 1/10W	
R319-322			RD14NB2E271J	RD	270	J 1/4W	
R323,324			RD14NB2E181J	RD	180	J 1/4W	
R327,328			RK73FB2A102J	CHIP R	1.0K	J 1/10W	
R329,330			RK73FB2A621J	CHIP R	620	J 1/10W	
R351,352			RK73FB2A102J	CHIP R	1.0K	J 1/10W	
R353,354			RK73FB2A104J	CHIP R	100K	J 1/10W	
R355,356			RK73FB2A163J	CHIP R	16K	J 1/10W	
R357-360			RK73FB2A751J	CHIP R	750	J 1/10W	
R361,362			RK73FB2A202J	CHIP R	2.0K	J 1/10W	
R363,364			RK73FB2A222J	CHIP R	2.2K	J 1/10W	
R365-368			RK73FB2A103J	CHIP R	10K	J 1/10W	
R369-372			RD14NB2E271J	RD	270	J 1/4W	
R373,374			RD14NB2E181J	RD	180	J 1/4W	
R377,378			RK73FB2A102J	CHIP R	1.0K	J 1/10W	
R379,380			RK73FB2A621J	CHIP R	620	J 1/10W	
R401			RK73FB2A102J	CHIP R	1.0K	J 1/10W	
R402			RK73FB2A104J	CHIP R	100K	J 1/10W	
R403			RK73FB2A163J	CHIP R	16K	J 1/10W	
R404,405			RK73FB2A751J	CHIP R	750	J 1/10W	
R406			RK73FB2A202J	CHIP R	2.0K	J 1/10W	
R407			RK73FB2A222J	CHIP R	2.2K	J 1/10W	
R408,409			RK73FB2A103J	CHIP R	10K	J 1/10W	
R410,411			RD14NB2E271J	RD	270	J 1/4W	
R412			RD14NB2E181J	RD	180	J 1/4W	

L : Scandinavia K : USA P : Canada R : Mexico C : China I : Malaysia
 Y : PX(Far East, Hawaii) T : Europe E : Europe G : Germany V : China (Shanghai)
 Y : AAFES(Europe) X : Australia Q : Russia H : Korea M : Other Areas Δ indicates safety critical components.

PARTS LIST

KRF-V7771D/V8881D/NR-2080/2090

PARTS LIST

* New Parts
Parts without **Parts No.** are not supplied.
Les articles non mentionnés dans le **Parts No.** ne sont pas fournis.
Teile ohne **Parts No.** werden nicht geliefert.

33

Ref. No	Add-ress	New Parts	Parts No.	Description	Desti-nation	Re-marks
R414			RK73FB2A102J	CHIP R 1.0K J 1/10W		
R415			RK73FB2A621J	CHIP R 620 J 1/10W		
R416			RK73FB2A332J	CHIP R 3.3K J 1/10W	K2P2	
R417			RD14NB2E100J	RD 10 J 1/4W		
Δ R462			RD14NB2E102J	RD 1.0K J 1/4W	K2P2	
R467			RK73FB2A222J	CHIP R 2.2K J 1/10W		
R468			RK73FB2A242J	CHIP R 2.4K J 1/10W		
R471			RD14NB2E222J	RD 2.2K J 1/4W		
R473			RD14NB2E391J	RD 390 J 1/4W		
R474,475			RK73FB2A101J	CHIP R 100 J 1/10W		
R478			RK73FB2A101J	CHIP R 100 J 1/10W		
R479			RK73FB2A103J	CHIP R 10K J 1/10W		
R480			RD14NB2E220J	RD 22 J 1/4W		
R481			RK73FB2A103J	CHIP R 10K J 1/10W		
R483-487			RK73FB2A104J	CHIP R 100K J 1/10W		
R490			RK73FB2A183J	CHIP R 18K J 1/10W	M2C2	
R490			RK73FB2A223J	CHIP R 22K J 1/10W	KP1Y1	
R490			RK73FB2A223J	CHIP R 22K J 1/10W	K2P2	
R490			RK73FB2A223J	CHIP R 22K J 1/10W	M1C1	
R501			RK73FB2A103J	CHIP R 10K J 1/10W		
R503,504			RK73FB2A101J	CHIP R 100 J 1/10W		
R509			RK73FB2A750J	CHIP R 75 J 1/10W		
R510			RK73FB2A103J	CHIP R 10K J 1/10W		
R511			RK73FB2A223J	CHIP R 22K J 1/10W		
R516			RK73FB2A101J	CHIP R 100 J 1/10W		
R517			RK73FB2A103J	CHIP R 10K J 1/10W		
R518,519			RK73FB2A221J	CHIP R 220 J 1/10W		
R520-522			RK73FB2A102J	CHIP R 1.0K J 1/10W		
R523			RK73FB2A750J	CHIP R 75 J 1/10W		
R524			RK73FB2A104J	CHIP R 100K J 1/10W		
R525			RK73FB2A750J	CHIP R 75 J 1/10W		
R527			RK73FB2A750J	CHIP R 75 J 1/10W		
R528			RK73FB2A104J	CHIP R 100K J 1/10W		
R529			RK73FB2A750J	CHIP R 75 J 1/10W		
R601			RK73FB2A103J	CHIP R 10K J 1/10W		
R602,603			RK73FB2A102J	CHIP R 1.0K J 1/10W		
R604			RD14NB2E330J	RD 33 J 1/4W		
R606,607			RK73FB2A100J	CHIP R 10 J 1/10W		
R610,611			RK73FB2A471J	CHIP R 470 J 1/10W		
R613,614			RK73FB2A471J	CHIP R 470 J 1/10W		
R615			RK73FB2A361J	CHIP R 360 J 1/10W		
R617			RK73FB2A471J	CHIP R 470 J 1/10W		
R618			RK73FB2A221J	CHIP R 220 J 1/10W		
R619			RK73FB2A104J	CHIP R 100K J 1/10W		
R620-623			RK73FB2A221J	CHIP R 220 J 1/10W		
R627-631			RK73FB2A103J	CHIP R 10K J 1/10W		
R632-666			RK73FB2A104J	CHIP R 100K J 1/10W		
R701,702			RK73FB2A221J	CHIP R 220 J 1/10W		
R703			RK73FB2A472J	CHIP R 4.7K J 1/10W	M1C1	
R705			RK73FB2A152J	CHIP R 1.5K J 1/10W		
R706,707			RK73FB2A224J	CHIP R 220K J 1/10W		
R708			RK73FB2A750J	CHIP R 75 J 1/10W		
R709,710			RK73FB2A750J	CHIP R 75 J 1/10W	K2P2M2	
R709,710			RK73FB2A750J	CHIP R 75 J 1/10W	M1C1C2	
R711			RK73FB2A184J	CHIP R 180K J 1/10W	K2P2M2	

L : Scandinavia K : USA P : Canada R : Mexico C : China I : Malaysia
Y : PX(Far East, Hawaii) T : Europe E : Europe G : Germany V : China (Shanghai)
Y : AAFES(Europe) X : Australia O : Russia H : Korea M : Other Areas Δ indicates safety critical components.

* New Parts
Parts without **Parts No.** are not supplied.
Les articles non mentionnés dans le **Parts No.** ne sont pas fournis.
Teile ohne **Parts No.** werden nicht geliefert.

34

Ref. No	Add-ress	New Parts	Parts No.	Description	Desti-nation	Re-marks
R711			RK73FB2A184J	CHIP R 180K J 1/10W	M1C1C2	
R801,802			RD14NB2E332J	RD 3.3K J 1/4W		
R803,804			RD14NB2E101J	RD 100 J 1/4W		
R805			RD14NB2E1R8J	RD 1.8 J 1/4W		
Δ R806			RD14NB2E2R7J	RD 2.7 J 1/4W		
R808			RK73FB2A102J	CHIP R 1.0K J 1/10W		
R809			RK73FB2A512J	CHIP R 5.1K J 1/10W		
R810			RK73FB2A153J	CHIP R 15K J 1/10W		
R811			RK73FB2A682J	CHIP R 6.8K J 1/10W		
R812			RK73FB2A103J	CHIP R 10K J 1/10W		
R821			RD14NB2E272J	RD 2.7K J 1/4W		
R822			RK73FB2A100J	CHIP R 10 J 1/10W		
R823			RK73FB2A472J	CHIP R 4.7K J 1/10W		
R824			RK73FB2A100J	CHIP R 10 J 1/10W		
R825			RK73FB2A472J	CHIP R 4.7K J 1/10W		
R828			RD14NB2E332J	RD 3.3K J 1/4W		
R901			RK73FB2A223J	CHIP R 22K J 1/10W	C2	
R901			RK73FB2A223J	CHIP R 22K J 1/10W	K2P2M2	
R902,903			RK73FB2A103J	CHIP R 10K J 1/10W	C2	
R902,903			RK73FB2A103J	CHIP R 10K J 1/10W	K2P2M2	
R904			RK73FB2A153J	CHIP R 15K J 1/10W	C2	
R904			RK73FB2A153J	CHIP R 15K J 1/10W	K2P2M2	
R905			RK73FB2A103J	CHIP R 10K J 1/10W	C2	
R905			RK73FB2A103J	CHIP R 10K J 1/10W	K2P2M2	
R906			RK73FB2A222J	CHIP R 2.2K J 1/10W	C2	
R906			RK73FB2A222J	CHIP R 2.2K J 1/10W	K2P2M2	
R912			RK73FB2A102J	CHIP R 1.0K J 1/10W	C2	
R912			RK73FB2A102J	CHIP R 1.0K J 1/10W	K2P2M2	
R913-916			RK73FB2A472J	CHIP R 4.7K J 1/10W	K2P2M2	
R913-916			RK73FB2A472J	CHIP R 4.7K J 1/10W	M1C1C2	
R917-922			RK73FB2A102J	CHIP R 1.0K J 1/10W	C2	
R917-922			RK73FB2A102J	CHIP R 1.0K J 1/10W	K2P2M2	
R923			RK73FB2A562J	CHIP R 5.6K J 1/10W	C2	
R923			RK73FB2A562J	CHIP R 5.6K J 1/10W	K2P2M2	
R924			RK73FB2A103J	CHIP R 10K J 1/10W	C2	
R924			RK73FB2A103J	CHIP R 10K J 1/10W	K2P2M2	
R925			RK73FB2A104J	CHIP R 100K J 1/10W	C2	
R925			RK73FB2A104J	CHIP R 100K J 1/10W	K2P2M2	
R926			RK73FB2A102J	CHIP R 1.0K J 1/10W	C2	
R926			RK73FB2A102J	CHIP R 1.0K J 1/10W	K2P2M2	
R927			RK73FB2A474J	CHIP R 470K J 1/10W	C2	
R927			RK73FB2A474J	CHIP R 470K J 1/10W	K2P2M2	
R928			RK73FB2A103J	CHIP R 10K J 1/10W	C2	
R928			RK73FB2A103J	CHIP R 10K J 1/10W	K2P2M2	
R929			RK73FB2A101J	CHIP R 100 J 1/10W	C2	
R929			RK73FB2A101J	CHIP R 100 J 1/10W	K2P2M2	
R998,999			RD14NB2E103J	RD 10K J 1/4W		
K1			S76-0028-05	MAGNETIC RELAY	K2P2	
S2 -7			S70-0031-05	TACT SWITCH		
D1			MA111	DIODE		
D2			U1BC44	DIODE		
D31 -38			HSS104	DIODE		
D31 -38			1SS133	DIODE		
D39			DA204K	DIODE		

L : Scandinavia K : USA P : Canada R : Mexico C : China I : Malaysia
Y : PX(Far East, Hawaii) T : Europe E : Europe G : Germany V : China (Shanghai)
Y : AAFES(Europe) X : Australia O : Russia H : Korea M : Other Areas Δ indicates safety critical components.

* New Parts
 Parts without **Parts No.** are not supplied.
 Les articles non mentionnés dans le **Parts No.** ne sont pas fournis.
 Teile ohne **Parts No.** werden nicht geliefert.



Ref. No	Add-ress	New Parts	Parts No.	Description	Desti-nation	Re-marks
D41 ,42			HSS104	DIODE		
D41 ,42			1SS133	DIODE		
D43			HZS5.1S(B2)	ZENER DIODE		
D43			RD5.1JS(B2)	ZENER DIODE		
D44 ,45			MA111	DIODE		
D48			HZS16N(B2)	ZENER DIODE	M2C2	
D48			HZS18N(B)	ZENER DIODE	KP1Y1	
D48			HZS18N(B)	ZENER DIODE	K2P2	
D48			HZS18N(B)	ZENER DIODE	M1C1	
D48			RD16ES(B2)	ZENER DIODE	M2C2	
D48			RD18ES(B)	ZENER DIODE	KP1Y1	
D48			RD18ES(B)	ZENER DIODE	K2P2	
D48			RD18ES(B)	ZENER DIODE	M1C1	
D49			HZS10N(B2)	ZENER DIODE	KP1Y1	
D49			HZS10N(B2)	ZENER DIODE	K2P2	
D49			HZS10N(B2)	ZENER DIODE	M1C1	
D49			HZS15N(B2)	ZENER DIODE	M2C2	
D49			RD10JS(B2)	ZENER DIODE	KP1Y1	
D49			RD10JS(B2)	ZENER DIODE	K2P2	
D49			RD10JS(B2)	ZENER DIODE	M1C1	
D49			RD15ES(B2)	ZENER DIODE	M2C2	
D55 ,56			DA204K	DIODE		
D57			HZS24N(B)	ZENER DIODE	K2P2	
D57			RD24ES(B)	ZENER DIODE	K2P2	
D58 -60			MA111	DIODE		
D61			HZS3.3N(B)	ZENER DIODE		
D61			RD3.3ES(B)	ZENER DIODE		
D62			HZS2.7N(B)	ZENER DIODE		
D62			RD2.7ES(B)	ZENER DIODE		
D74 ,75			MA111	DIODE		
D77			HZS5.1S(B2)	ZENER DIODE		
D77			RD5.1JS(B2)	ZENER DIODE		
D78			MA111	DIODE		
Δ D81 ,82			1B4B41	DIODE		
D83 ,84			HZS15N(B)	ZENER DIODE		
D83 ,84			RD15ES(B)	ZENER DIODE		
D85			HZS5.1S(B2)	ZENER DIODE		
D85			RD5.1JS(B2)	ZENER DIODE		
Δ D86			S5688B	DIODE		
D87			HZS11N(B)	ZENER DIODE		
Δ D87			RD11JS(B)	ZENER DIODE		
D88			D3SBA20F03	DIODE		
D89			HZS11N(B)	ZENER DIODE		
D89			RD11JS(B)	ZENER DIODE		
D90 ,91			MA111	DIODE		
D92 -95			DA204K	DIODE	K2P2M2	
D92 -95			DA204K	DIODE	M1C1C2	
D96			MA111	DIODE	K2P2M2	
D96			MA111	DIODE	M1C1C2	
D901,902			MA111	DIODE	C2	
D901,902			MA111	DIODE	K2P2M2	
D998			HZS15N(B)	ZENER DIODE		
D998			RD15ES(B)	ZENER DIODE		
D999			MA111	DIODE		
ED1		*	16-MT-62GK	INDICATOR TUBE		

L : Scandinavia K : USA P : Canada R : Mexico C : China I : Malaysia
 Y : PX(Far East, Hawaii) T : Europe E : Europe G : Germany V : China (Shanghai)
 Y : AAFES(Europe) X : Australia Q : Russia H : Korea M : Other Areas Δ indicates safety critical components.

* New Parts
 Parts without **Parts No.** are not supplied.
 Les articles non mentionnés dans le **Parts No.** ne sont pas fournis.
 Teile ohne **Parts No.** werden nicht geliefert.



Ref. No	Add-ress	New Parts	Parts No.	Description	Desti-nation	Re-marks
IC1			NJM4580ED	ANALOGUE IC		
IC11,12			SN761200N	ANALOGUE IC		K2P2M2
IC11,12			SN761200N	ANALOGUE IC		M1C1C2
IC13			TC74HC4051AP	IC(ANALOG MULTIPLEXER)		K2P2
IC21			NJM2058D	IC(OP AMP X4)		
IC23			TC9162AF	MOS-IC		
IC51			SN761200N	ANALOGUE IC		
IC52			MC14577CF	MOS-IC		
IC53			NJU3713D	MOS-IC		
IC61			UPD780204-034	MI-COM IC		
IC81			NJM4558D	ANALOGUE IC		
Δ IC82			TA79005S	IC(VOLTAGE REGULATOR/ -5V)		
Δ IC82			UPC7905AHF	IC(VOLTAGE REGULATOR/ -5V)		
Δ IC83			TA7805S	ANALOGUE IC		
Δ IC83			UPC7805AHF	ANALOGUE IC		
Δ IC84			SI-3082V	ANALOGUE IC		
IC90		*	BA7645N	IC		
IC91			NJM4580L	ANALOGUE IC		
Q1 -6			2SC4213(B)	TRANSISTOR		K2P2
Q12			2SC4081(R,S)	TRANSISTOR		K2P2M2
Q12			2SC4081(R,S)	TRANSISTOR		M1C1C2
Q14			2SC4081(R,S)	TRANSISTOR		K2P2M2
Q14			2SC4081(R,S)	TRANSISTOR		M1C1C2
Q15 ,16			2SC4213(B)	TRANSISTOR		
Q17			2SC4213(B)	TRANSISTOR		K2P2
Q30 ,31			2SC4081(R,S)	TRANSISTOR		K2P2M2
Q30 ,31			2SC4081(R,S)	TRANSISTOR		M1C1C2
Q32			DTC113ZUA	DIGITAL TRANSISTOR		K2P2
Q32			UN5219	DIGITAL TRANSISTOR		K2P2
Q52			2SC4081(R,S)	TRANSISTOR		
Q53			DTA113ZUA	DIGITAL TRANSISTOR		
Q53			UN5119	DIGITAL TRANSISTOR		
Q54			DTC124EUA	DIGITAL TRANSISTOR		
Q54			UN5212	DIGITAL TRANSISTOR		
Q55			2SC4213(B)	TRANSISTOR		
Q81			2SC2458(Y,GR)	TRANSISTOR		
Q81			2SC3311A(Q,R)	TRANSISTOR		
Q82			2SA1048(Y,GR)	TRANSISTOR		
Q82			2SA1309A(Q,R)	TRANSISTOR		
Δ Q83			2SB1370	TRANSISTOR		
Δ Q84			2SD2061	TRANSISTOR		
Δ Q85			2SB1370	TRANSISTOR		
Δ Q86			2SD2061	TRANSISTOR		
Δ Q301-304			2SA992(F,E)	TRANSISTOR		
Q305-308			2SC2631(R,S)	TRANSISTOR		
Q309,310			2SA1123(R,S)	TRANSISTOR		
Q311,312			2SA1586(Y,GR)	TRANSISTOR		
Q351-354			2SA992(F,E)	TRANSISTOR		
Q355-358			2SC2631(R,S)	TRANSISTOR		
Q359,360			2SA1123(R,S)	TRANSISTOR		
Q361,362			2SA1586(Y,GR)	TRANSISTOR		
Q401,402			2SA992(F,E)	TRANSISTOR		
Q403,404			2SC2631(R,S)	TRANSISTOR		
Q405			2SA1123(R,S)	TRANSISTOR		
Q406			2SA1586(Y,GR)	TRANSISTOR		

L : Scandinavia K : USA P : Canada R : Mexico C : China I : Malaysia
 Y : PX(Far East, Hawaii) T : Europe E : Europe G : Germany V : China (Shanghai)
 Y : AAFES(Europe) X : Australia Q : Russia H : Korea M : Other Areas Δ indicates safety critical components.

PARTS LIST

KRF-V7771D/V8881D/NR-2080/2090

PARTS LIST

* New Parts
 Parts without **Parts No.** are not supplied.
 Les articles non mentionnés dans le **Parts No.** ne sont pas fournis.
 Teile ohne **Parts No.** werden nicht geliefert.

37

Ref. No	Add-ress	New Parts	Parts No.	Description	Desti-nation	Re-marks
Δ Q451			2SA1535(R,S)	TRANSISTOR		
Q453			DTC124EUA	DIGITAL TRANSISTOR		
Q453			UN5212	DIGITAL TRANSISTOR		
Q454			2SA1611(M5,M6)	TRANSISTOR		
Q456			DTC124EUA	DIGITAL TRANSISTOR		
Δ Q456			UN5212	DIGITAL TRANSISTOR		
Q457			2SC4177(L5,L6)	TRANSISTOR		
Q901			2SC4081(R,S)	TRANSISTOR	C2	
Q901			2SC4081(R,S)	TRANSISTOR	K2P2M2	
Q902			2SA1611(M5,M6)	TRANSISTOR	C2	
Q902			2SA1611(M5,M6)	TRANSISTOR	K2P2M2	
Q903			2SA1611(M5,M6)	TRANSISTOR		
Q999			2SC3244	TRANSISTOR		
A1			W02-2571-05	OPTIC RECEIVING MODULE		

HOW TO READ THE PARTS LIST
 ABBREVIATION OF MODEL AND MASS PRODUCTION'S DESTINATIONS

MODEL	ABB.	Australia	Canada	China	England	Europe	Germany	Korea	Malaysia
VR-2080	-	-	P1	-	-	-	-	-	-
VR-2090	-	-	P2	-	-	-	-	-	-
KRF-V7771D	-	-	-	C1	-	-	-	-	-
KRF-V8881D	-	-	-	C2	-	-	-	-	-

MODEL	ABB.	Mexico	PX/AAFES	Russia	Scandinavia	Shanghai	USA	Other area
VR-2080	-	-	-	-	-	-	K	-
VR-2090	-	-	-	-	-	-	K2	-
KRF-V7771D	-	-	Y1	-	-	-	-	M1
KRF-V8881D	-	-	-	-	-	-	-	M2

L : Scandinavia K : USA P : Canada R : Mexico C : China I : Malaysia
 Y : PX(Far East, Hawaii) T : Europe E : Europe G : Germany V : China (Shanghai)
 Y : AAFES(Europe) X : Australia Q : Russia H : Korea M : Other Areas Δ indicates safety critical components.

SPECIFICATIONS (VR-2090)

AUDIO section

Rated output power during STEREO operation

100 watts per channel minimum RMS, both channels driven, at 6 Ω from 20 Hz to 20 kHz with no more than 0.03 % total harmonic distortion.(FTC)

Rated output power during SURROUND operation

FRONT
(1kHz, 0.7% T.H.D. at 6 Ω) 100 W + 100 W

CENTER
(1kHz, 0.7% T.H.D. at 6 Ω) 100 W

SURROUND
(1kHz, 0.7% T.H.D. at 6 Ω) 100 W + 100 W

Total harmonic distortion 0.004% (1 kHz, 50 W, 6 Ω)

Frequency response (IHF'78)
CD 5 Hz ~ 80 kHz, +0.5 dB, -3 dB

Signal to noise ratio (IHF'66)
PHONO (MM) 77 dB
CD 90 dB

Input sensitivity / impedance
PHONO (MM) 2.5 mV / 47 k Ω
CD 200 mV / 47 k Ω

Output level / impedance
TAPE REC 200 mV / 220 Ω
PRE OUT (CENTER, SURROUND, SUBWOOFER)
..... 1 V / 1 k Ω

Tone control
BASS ± 7 dB (at 100 Hz)
TREBLE ± 7 dB (at 10 kHz)

LOUDNESS control
VOLUME at -40dB level ... +7 dB(100 Hz), +4 dB(10 kHz)

DIGITAL AUDIO section

Sampling frequency 32 kHz, 44.1 kHz, 48 kHz

Input level / impedance / wave length
Optical -15 dBm ~ -21 dBm, 660 nm ± 30 nm
Coaxial 0.5 Vp-p / 75 Ω

VIDEO section

VIDEO inputs / outputs
VIDEO (composite) 1 Vp-p / 75 Ω
S VIDEO (luminance signal) 1 Vp-p / 75 Ω
(chrominance signal) 0.286 Vp-p / 75 Ω

FM tuner section

Tuning frequency range 87.5 MHz ~ 108 MHz

Usable sensitivity (MONO)
..... 1.6 μ V (75 Ω) / 15.2 dBf (75 kHz DEV., SINAD 30 dB)

50dB quieting sensitivity
STEREO 31.6 μ V (75 Ω) / 41.2 dBf

Total harmonic distortion (1 kHz)
MONO 0.3 % (65 dBf input)
STEREO 0.6 % (65 dBf input)

Signal to noise ratio (1 kHz, 75 kHz DEV.)
MONO 75 dB (65 dBf input)
STEREO 68 dB (65 dBf input)

Stereo separation (1 kHz) 38 dB

Selectivity (± 400 kHz) 70 dB

Frequency response 30 Hz ~ 15kHz, +0.5 dB, -3.0 dB

AM tuner section

Tuning frequency range
10 kHz step 530 kHz ~ 1,700 kHz

Usable sensitivity (30% mod., S/N 20 dB)
..... 16 μ V / (600 μ V/m)

Signal to noise ratio (30 % mod. 1 mV input) 50 dB

Relay and IR IN/OUT section

RELAY CONTROL terminal

Maximum output current 20 mA
Operating voltage 12 V
Output impedance 470 Ω

IR RECEIVER IN terminal

Maximum output current 20 mA
Operating voltage 12 V
Output impedance 470 Ω

IR OUT LCD REMOTE terminal

Maximum output current 20 mA
Operating voltage 12 V
Output impedance 470 Ω

IR REPEATER CONTROL terminals

Maximum output current 20 mA
Operating voltage 12 V
Output impedance 470 Ω

Shape of plug to be connected

IR RECEIVER IN, IR OUT LCD REMOTE and RELAY CONTROL	IR REPEATER OUT

IR IN/OUT specification

Terminal	IR RECEIVER IN	IR REPEATER OUT and IR OUT LCD REMOTE
To Tip	Signal	Signal
To Ring	Ground	—
To Sleeve	+12 V	Ground

RELAY CONTROL specification

Status	Power off	Power on	Power on and when switch to video input
To Tip	0 V	0 V	+12 V
To Ring	0 V	+12 V	+12 V
To Sleeve	Ground	Ground	Ground

GENERAL

Power consumption 3.5 A

AC outlet
SWITCHED 2 (total 90 W, 0.75 A max.)

Dimensions W : 440 mm (17-5/16")
H : 162 mm (6-3/8")
D : 391 mm (15-3/8")

Weight (Net) 12 kg (26.5 lb)



1. KENWOOD follows a policy of continuous advancements in development. For this reason specifications may be changed without notice.
2. Full performance may not be exhibited in extremely cold locations (below 0 deg.C).

SPECIFICATIONS (VR-2080)

AUDIO section

Rated output power during STEREO operation

100 watts per channel minimum RMS, both channels driven, at 6 Ω from 20 Hz to 20 kHz with no more than 0.03 % total harmonic distortion.(FTC)

Rated output power during SURROUND operation

FRONT
(1kHz, 0.7% T.H.D. at 6 Ω) 100 W + 100 W

CENTER
(1kHz, 0.7% T.H.D. at 6 Ω) 100 W

SURROUND
(1kHz, 0.7% T.H.D. at 6 Ω) 100 W + 100 W

Total harmonic distortion 0.004% (1 kHz, 50 W, 6 Ω)

Frequency response (IHF'78)
CD 5 Hz ~ 80 kHz, +0.5 dB, -3 dB

Signal to noise ratio (IHF'66)
PHONO (MM) 77 dB
CD 90 dB

Input sensitivity / impedance
PHONO (MM) 2.5 mV / 47 kΩ
CD 200 mV / 47 kΩ

Output level / impedance
TAPE REC 200 mV / 220 Ω
PRE OUT (CENTER, SURROUND, SUBWOOFER)
..... 1 V / 1 kΩ

Tone control
BASS ±7 dB (at 100 Hz)
TREBLE ±7 dB (at 10 kHz)

LOUDNESS control
VOLUME at -40dB level ... +7 dB(100 Hz), +4 dB(10 kHz)

DIGITAL AUDIO section

Sampling frequency 32 kHz, 44.1 kHz, 48 kHz

Input level / impedance / wave length
Optical -15 dBm ~ -21 dBm, 660 nm ±30nm
Coaxial 0.5 Vp-p / 75 Ω

VIDEO section

VIDEO inputs / outputs
VIDEO (composite) 1 Vp-p / 75 Ω
S VIDEO (luminance signal) 1 Vp-p / 75 Ω
(chrominance signal) 0.286 Vp-p / 75 Ω

FM tuner section

Tuning frequency range 87.5 MHz ~ 108 MHz

Usable sensitivity (MONO)
..... 1.6μV (75 Ω) / 15.2 dBf (75 kHz DEV., SINAD 30 dB)

50dB quieting sensitivity
STEREO 31.6μV (75 Ω) / 41.2 dBf

Total harmonic distortion (1 kHz)
MONO 0.3 % (65 dBf input)
STEREO 0.6 % (65 dBf input)

Signal to noise ratio (1 kHz, 75 kHz DEV.)
MONO 75 dB (65 dBf input)
STEREO 68 dB (65 dBf input)

Stereo separation (1 kHz) 38 dB

Selectivity (±400 kHz) 70 dB

Frequency response 30 Hz ~ 15kHz,+0.5 dB, -3.0 dB

AM tuner section

Tuning frequency range
10 kHz step 530 kHz ~ 1,700 kHz

Usable sensitivity (30% mod., S/N 20 dB)
..... 16 μV / (600 μV/m)

Signal to noise ratio (30 % mod. 1 mV input) 50 dB

Relay and IR IN/OUT section

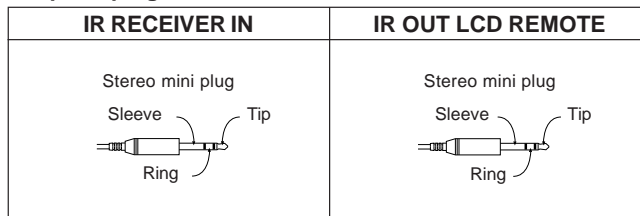
IR RECEIVER IN terminal

Maximum output current 20 mA
Operating voltage 12 V
Output impedance 470 Ω

IR OUT LCD REMOTE terminal

Maximum output current 20 mA
Operating voltage 12 V
Output impedance 470 Ω

Shape of plug to be connected



IR IN/OUT specification

Terminal	IR RECEIVER IN	IR OUT LCD REMOTE
To Tip	Signal	Signal
To Ring	Ground	—
To Sleeve	+12 V	Ground

GENERAL

Power consumption 3.5 A

AC outlet
SWITCHED 2 (total 90 W, 0.75 A max.)

Dimensions W : 440 mm (17-5/16")
H : 162 mm (6-3/8")
D : 391 mm (15-3/8")

Weight (Net) 11.2 kg (24.69 lb)



1. KENWOOD follows a policy of continuous advancements in development. For this reason specifications may be changed without notice.
2. Full performance may not be exhibited in extremely cold locations (below 0 deg.C).

SPECIFICATIONS (KRF-V8881D in China)

AUDIO section

Rated output power during STEREO operation

63 Hz ~ 12.5 kHz, 0.7%, 6 Ω (DIN/IEC) ... 130 W + 130 W

130 watts per channel minimum RMS, both channels driven, at 6 Ω from 20 Hz to 20 kHz with no more than 0.03 % total harmonic distortion.(FTC)

Effective output power during STEREO operation

1kHz,10% T.H.D.,at 6 Ω 180 W + 180 W

Effective output power during SURROUND operation

FRONT

(1kHz, 0.7% T.H.D. at 6 Ω one channel driven)

..... 130 W + 130 W

(1kHz, 10% T.H.D. at 6 Ω one channel driven)

..... 180 W + 180 W

CENTER

(1kHz, 0.7% T.H.D. at 6 Ω one channel driven) 130 W

(1kHz, 10% T.H.D. at 6 Ω one channel driven) 180 W

SURROUND

(1kHz, 0.7% T.H.D. at 6 Ω one channel driven)

..... 130 W + 130 W

(1kHz, 10% T.H.D. at 6 Ω one channel driven)

..... 180 W + 180 W

Total harmonic distortion 0.004 % (1kHz, 65 W, 6 Ω)

Frequency response (IHF'78)

CD 5 Hz ~ 80 kHz, +0.5 dB, -3 dB

Signal to noise ratio (IHF'66)

PHONO (MM) 77 dB

CD 92 dB

Input sensitivity / impedance

PHONO (MM) 2.5 mV / 47 kΩ

CD 200 mV / 47 kΩ

Output level / impedance

TAPREC 200 mV / 220 Ω

PRE OUT (CENTER, SURROUND, SUBWOOFER)

..... 1 V / 1 kΩ

Tone control

BASS ±7 dB (at 100 Hz)

TREBLE ±7 dB (at 10 kHz)

LOUDNESS control

VOLUME at -40dB level ... +7 dB(100 Hz), +4 dB(10 kHz)

DIGITAL AUDIO section

Sampling frequency 32 kHz, 44.1 kHz, 48 kHz

Input level / impedance / wave length

Optical -15 dBm ~ -21 dBm, 660 nm ±30nm

Coaxial 0.5 Vp-p / 75 Ω

VIDEO section

VIDEO inputs / outputs

VIDEO (composite) 1 Vp-p / 75 Ω

S VIDEO (luminance signal) 1 Vp-p / 75 Ω

(chrominance signal) 0.286 Vp-p / 75 Ω

FM tuner section

Tuning frequency range 87.5 MHz ~ 108 MHz

Usable sensitivity (MONO)

..... 1.6μV (75 Ω) / 15.2 dBf(75 kHz DEV., SINAD 30 dB)

50dB quieting sensitivity

STEREO 31.6μV (75 Ω) / 41.2 dBf

Total harmonic distortion (1 kHz)

MONO 0.6 % (65 dBf input)

STEREO 0.7 % (65 dBf input)

Signal to noise ratio (1 kHz, 75 kHz DEV.)

MONO 75 dB (65 dBf input)

STEREO 68 dB (65 dBf input)

Stereo separation (1 kHz) 38 dB

Selectivity (±400 kHz) 50 dB

Frequency response 30 Hz ~ 15kHz,+0.5 dB, -3.0 dB

AMtuner section

Tuning frequency range

9 kHz step 531 kHz ~ 1,602 kHz

10 kHz step 530 kHz ~ 1,610 kHz

Usable sensitivity (30% mod., S/N 20 dB)

..... 16 μV / (600 μV/m)

Signal to noise ratio (30 % mod. 1 mV input) 50 dB

IR IN/OUT section

IR RECEIVER IN terminal

Maximum output current 20 mA

Operating voltage 12 V

Output impedance 470 Ω

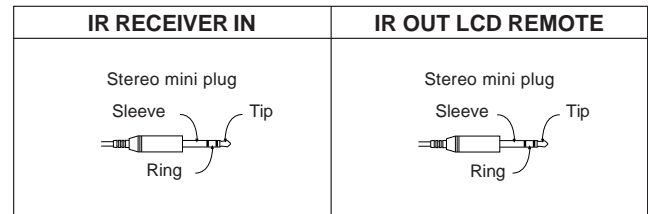
IR OUT LCD REMOTE terminal

Maximum output current 20 mA

Operating voltage 12 V

Output impedance 470 Ω

Shape of plug to be connected



IR IN/OUT specification

Terminal	IR RECEIVER IN	IR OUT LCD REMOTE
To Tip	Signal	Signal
To Ring	Ground	—
To Sleeve	+12 V	Ground

GENERAL

Power consumption 380 W

AC outlet

SWITCHED 2 (total 90 W max.)

Dimensions W : 440 mm

H : 162 mm

D : 391 mm

Weight (Net) 12 kg



1. KENWOOD follows a policy of continuous advancements in development. For this reason specifications may be changed without notice.
2. Full performance may not be exhibited in extremely cold locations (below 0 deg.C).

SPECIFICATIONS (KRF-V8881D for other countries)

AUDIO section

Rated output power during STEREO operation
63 Hz ~ 12.5 kHz, 0.7%, 6 Ω (DIN/IEC) ... 130 W + 130 W

130 watts per channel minimum RMS, both channels driven, at 6 Ω from 20 Hz to 20 kHz with no more than 0.03 % total harmonic distortion.(FTC)

Effective output power during STEREO operation
1kHz,10% T.H.D.,at 6 Ω 180 W + 180 W

Effective output power during SURROUND operation
FRONT
(1kHz, 0.7% T.H.D. at 6 Ω one channel driven) 130 W + 130 W
(1kHz, 10% T.H.D. at 6 Ω one channel driven) 180 W + 180 W

CENTER
(1kHz, 0.7% T.H.D. at 6 Ω one channel driven) 130 W
(1kHz, 10% T.H.D. at 6 Ω one channel driven) 180 W

SURROUND
(1kHz, 0.7% T.H.D. at 6 Ω one channel driven) 130 W + 130 W
(1kHz, 10% T.H.D. at 6 Ω one channel driven) 180 W + 180 W

Total harmonic distortion 0.004 % (1kHz, 65 W, 6 Ω)

Frequency response (IHF'78)
CD 5 Hz ~ 80 kHz, +0.5 dB, -3 dB

Signal to noise ratio (IHF'66)
PHONO (MM) 77 dB
CD 92 dB

Input sensitivity / impedance
PHONO (MM) 2.5 mV / 47 kΩ
CD 200 mV / 47 kΩ

Output level / impedance
TAPE REC 200 mV / 220 Ω
PRE OUT (CENTER, SURROUND, SUBWOOFER) 1 V / 1 kΩ

Tone control
BASS ±7 dB (at 100 Hz)
TREBLE ±7 dB (at 10 kHz)
LOUDNESS control
VOLUME at -40dB level ... +7 dB(100 Hz), +4 dB(10 kHz)

DIGITAL AUDIO section

Sampling frequency 32 kHz, 44.1 kHz, 48 kHz
Input level / impedance / wave length
Optical -15 dBm ~ -21 dBm, 660 nm ±30nm
Coaxial 0.5 Vp-p / 75 Ω

VIDEO section

VIDEO inputs / outputs
VIDEO (composite) 1 Vp-p / 75 Ω
S VIDEO (luminance signal) 1 Vp-p / 75 Ω
(chrominance signal) 0.286 Vp-p / 75 Ω

FM tuner section

Tuning frequency range 87.5 MHz ~ 108 MHz
Usable sensitivity (MONO)
..... 1.6μV (75 Ω)/ 15.2 dBf(75 kHz DEV., SINAD 30 dB)
50dB quieting sensitivity
STEREO 31.6μV (75 Ω)/ 41.2 dBf
Total harmonic distortion (1 kHz)
MONO 0.6 % (65 dBf input)
STEREO 0.7 % (65 dBf input)
Signal to noise ratio (1 kHz, 75 kHz DEV.)
MONO 75 dB (65 dBf input)
STEREO 68 dB (65 dBf input)
Stereo separation (1 kHz) 38 dB
Selectivity (±400 kHz) 50 dB
Frequency response 30 Hz ~ 15kHz,+0.5 dB, -3.0 dB

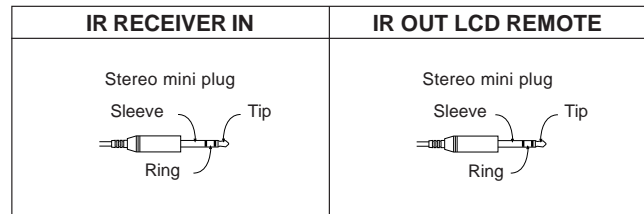
AM tuner section

Tuning frequency range
9 kHz step 531 kHz ~ 1,602 kHz
10 kHz step 530 kHz ~ 1,610 kHz
Usable sensitivity (30% mod., S/N 20 dB)
..... 16 μV / (600 μV/m)
Signal to noise ratio (30 % mod. 1 mV input) 50 dB

IR IN/OUT section

IR RECEIVER IN terminal
Maximum output current 20 mA
Operating voltage 12 V
Output impedance 470 Ω
IR OUT LCD REMOTE terminal
Maximum output current 20 mA
Operating voltage 12 V
Output impedance 470 Ω

Shape of plug to be connected



IR IN/OUT specification

Terminal	IR RECEIVER IN	IR OUT LCD REMOTE
To Tip	Signal	Signal
To Ring	Ground	—
To Sleeve	+12 V	Ground

GENERAL

Power consumption 380 W
AC outlet
SWITCHED 2 (total 90 W max.)
Dimensions W : 440 mm
H : 162 mm
D : 391 mm
Weight (Net) 12 kg



1. KENWOOD follows a policy of continuous advancements in development. For this reason specifications may be changed without notice.
2. Full performance may not be exhibited in extremely cold locations (below 0 deg.C).

SPECIFICATIONS (KRF-V7771D)

AUDIO section

Rated output power during STEREO operation
63 Hz ~ 12.5 kHz, 0.7%, 6 Ω (DIN/IEC) ... 120 W + 120 W

120 watts per channel minimum RMS, both channels driven, at 6 Ω from 20 Hz to 20 kHz with no more than 0.03 % total harmonic distortion.(FTC)

Effective output power during STEREO operation
1kHz, 10% T.H.D., at 6 Ω 160 W + 160 W

Effective output power during SURROUND operation
FRONT
(1kHz, 0.7% T.H.D. at 6 Ω one channel driven)
..... 120 W + 120 W
(1kHz, 10% T.H.D. at 6 Ω one channel driven)
..... 160 W + 160 W

CENTER
(1kHz, 0.7% T.H.D. at 6 Ω one channel driven) 120 W
(1kHz, 10% T.H.D. at 6 Ω one channel driven) 160 W
SURROUND

(1kHz, 0.7% T.H.D. at 6 Ω one channel driven)
..... 120 W + 120 W
(1kHz, 10% T.H.D. at 6 Ω one channel driven)
..... 160 W + 160 W

Total harmonic distortion 0.004 % (1kHz, 60 W, 6 Ω)

Frequency response (IHF'78)
CD 5 Hz ~ 80 kHz, +0.5 dB, -3 dB

Signal to noise ratio (IHF'66)
PHONO (MM) 77 dB
CD 92 dB

Input sensitivity / impedance
PHONO (MM) 2.5 mV / 47 kΩ
CD 200 mV / 47 kΩ

Output level / impedance
TAPE REC 200 mV / 220 Ω
PRE OUT (CENTER, SURROUND, SUBWOOFER)
..... 1 V / 1 kΩ

Tone control
BASS ±7 dB (at 100 Hz)
TREBLE ±7 dB (at 10 kHz)

LOUDNESS control
VOLUME at -40dB level ... +7 dB(100 Hz), +4 dB(10 kHz)

DIGITAL AUDIO section

Sampling frequency 32 kHz, 44.1 kHz, 48 kHz
Input level / impedance / wave length
Optical -15 dBm ~ -21 dBm, 660 nm ±30nm
Coaxial 0.5 Vp-p / 75 Ω

VIDEO section

VIDEO inputs / outputs
VIDEO (composite) 1 Vp-p / 75 Ω
S VIDEO (luminance signal) 1 Vp-p / 75 Ω
(chrominance signal) 0.286 Vp-p / 75 Ω

FM tuner section

Tuning frequency range 87.5 MHz ~ 108 MHz
Usable sensitivity (MONO)
..... 1.6μV (75 Ω)/ 15.2 dBf(75 kHz DEV., SINAD 30 dB)

50dB quieting sensitivity
STEREO 31.6μV (75 Ω)/ 41.2 dBf

Total harmonic distortion (1 kHz)
MONO 0.6 % (65 dBf input)
STEREO 0.7 % (65 dBf input)

Signal to noise ratio (1 kHz, 75 kHz DEV.)
MONO 75 dB (65 dBf input)
STEREO 68 dB (65 dBf input)

Stereo separation (1 kHz) 38 dB
Selectivity (±400 kHz) 50 dB
Frequency response 30 Hz ~ 15kHz, +0.5 dB, -3.0 dB

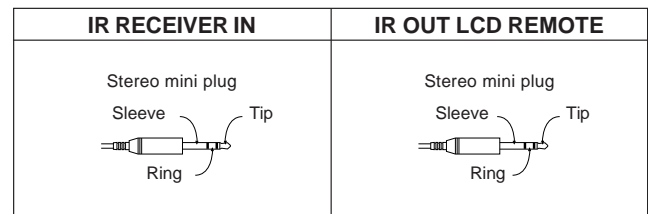
AM tuner section

Tuning frequency range
9 kHz step 531 kHz ~ 1,602 kHz
10 kHz step 530 kHz ~ 1,610 kHz
Usable sensitivity (30% mod., S/N 20 dB)
..... 16 μV / (600 μV/m)
Signal to noise ratio (30 % mod. 1 mV input) 50 dB

IR IN/OUT section

IR RECEIVER IN terminal
Maximum output current 20 mA
Operating voltage 12 V
Output impedance 470 Ω
IR OUT LCD REMOTE terminal
Maximum output current 20 mA
Operating voltage 12 V
Output impedance 470 Ω

Shape of plug to be connected



IR IN/OUT specification

Terminal	IR RECEIVER IN	IR OUT LCD REMOTE
To Tip	Signal	Signal
To Ring	Ground	—
To Sleeve	+12 V	Ground

GENERAL

Power consumption 330 W
AC outlet
SWITCHED 2 (total 90 W max.)
Dimensions W : 440 mm
H : 162 mm
D : 391 mm
Weight (Net) 11.2 kg



1. KENWOOD follows a policy of continuous advancements in development. For this reason specifications may be changed without notice.
2. Full performance may not be exhibited in extremely cold locations (below 0 deg.C).

Note:

Component and circuit are subject to modification to insure best operation under differing local conditions. This manual is based on Europe(E) standard, and provides information on regional circuit modification through use of alternate schematic diagrams, and information on regional component variations through use of parts list.

KENWOOD CORPORATION

14-6,Dogenzaka 1-chome, Shibuya-ku, Tokyo, 150-8501 Japan

KENWOOD SERVICE CORPORATION

P.O BOX 22745, 2201 East Dominguez St., Long Beach, CA 90801-5745, U.S.A.

KENWOOD ELECTRONICS CANADA INC.

6070 Kestrel Road, Mississauga, Ontario, Canada L5T 1S8

KENWOOD ELECTRONICS LATIN AMERICA S.A.

P.O BOX 55-2791, Piso 6 plaza Chase, Cl. 47 y Aquilino de la Guardia Panama, Republic de Panama

KENWOOD ELECTRONICS BRASIL LTDA.

Av Indianópolis, 628, 04062-001 Planalto Paullista São Paulo-SP-Brasil

KENWOOD ELECTRONICS U.K. LIMITED

KENWOOD House, Dwight Road, Watford, Herts., WD1 8EB., United Kingdom

KENWOOD ELECTRONICS BELGUM N.V.

Meachelsesteenweg 418, B-1930 Zaventem, Belgium

KENWOOD ELECTRONICS DEUTSCHLAND GMBH

Rembrücker Str. 15, 63150 Heusenstamm, Germany

KENWOOD ELECTRONICS FRANCE S.A.

13 Boulevard Ney, 75018 Paris, France

KENWOOD ELECTRONICS ITALIA S.p.A.

Via G. Sirtori, 7/9 20129, Milano, Italy

KENWOOD IBÉRICA S.A.

Bolivia, 239-08020 Barcelona, Spain

KENWOOD ELECTRONICS AUSTRALIA PTY. LTD.

(A.C.N. 001499 074)

P.O Box 504, 8 Figtree Drive, Australia Centre, Homebush, N.S.W. 2140, Australia

KENWOOD & LEE ELECTRONICS, LTD.

Unit 3712-3724, Level 37, Tower 1, Metroplaza, 223 Hing Fong Road, Kwai Fong N.T., Hong Kong

KENWOOD ELECTRONICS GULF FZE

P.O.Box 61318, Jebel Ali, Dubai, U.A.E.

KENWOOD ELECTRONICS SINGAPORE PTE LTD.

No. 1 Genting Lane #02-02, KENWOOD Building, Singapore, 349544

KENWOOD ELECTRONICS (MALAYSIA) SDN BHD.

#4.01 Level 4, Wisma Academy Lot 4A, Jalan 19/1 46300 Petaling Jaya Selangor Darul Ehsan Malaysia

KENWOOD ELECTRONICS (THAILAND) CO., LTD.

573/111 Soi Ramkhamhaeng 39, Ramkhamhaeng Road, Wangthonglang, Bangkok, Bangkok 10301 Thailand