

**KRF-V7030D/V7030D-S**  
**KRF-V8030D/V8030D-S**  
**VR-407/409**  
**SERVICE MANUAL**

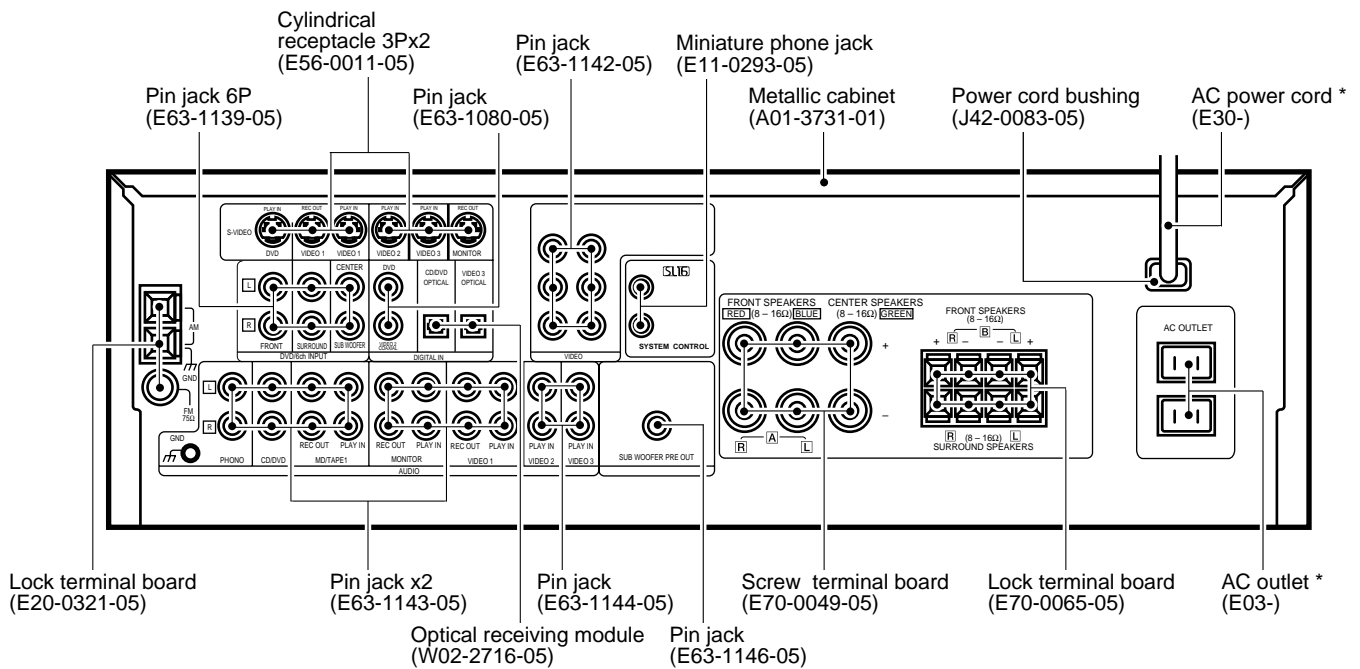
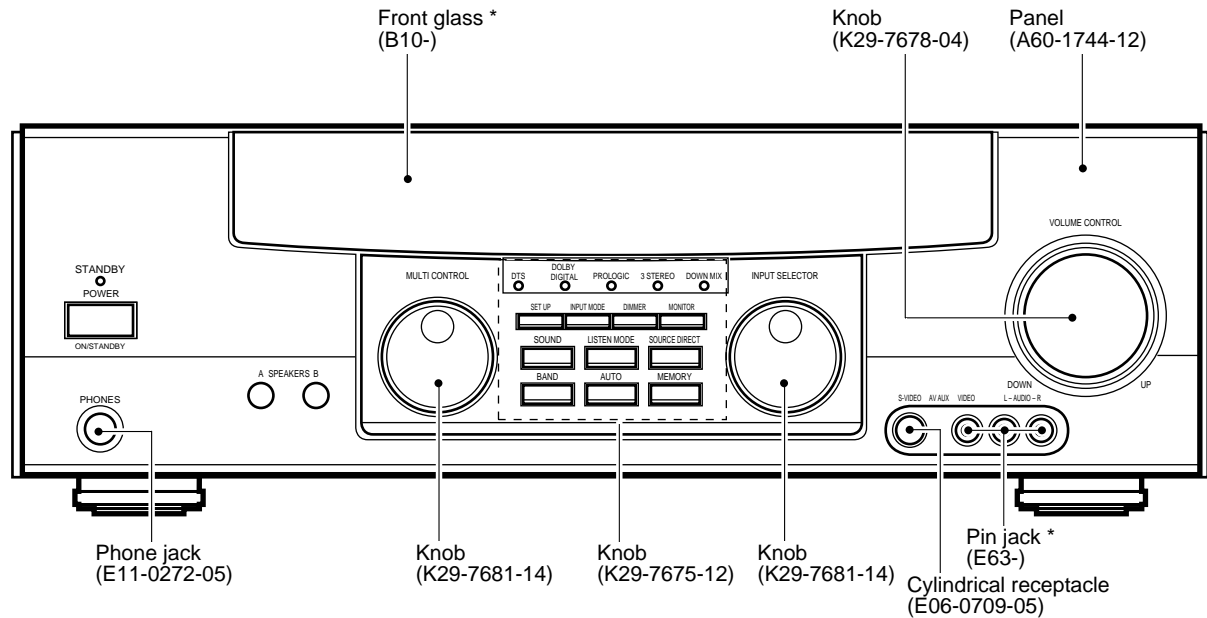


Illustration is KRF-V7030D E type.

\* Refer to parts list on page 39.




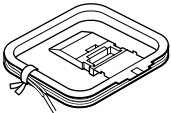
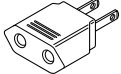
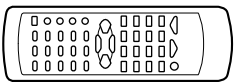


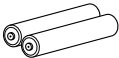
# KRF-V7030D/V8030D/VR-407/409

## CONTENTS / ACCESSORIES

### Contents

|                              |    |                         |    |
|------------------------------|----|-------------------------|----|
| CONTENTS / ACCESSORIES ..... | 2  | SCHEMATIC DIAGRAM ..... | 17 |
| BLOCK DIAGRAM .....          | 3  | EXPLODED VIEW .....     | 37 |
| CIRCUIT DESCRIPTION .....    | 4  | PARTS LIST .....        | 38 |
| ADJUSTMENT .....             | 11 | SPECIFICATIONS .....    | 51 |
| PC BOARD .....               | 12 |                         |    |

### Accessories

|   |  |   |  |
|---|--|---|--|
| <p>FM indoor antenna (1)<br/>(T90-0836-05)</p>     | <p>AM loop antenna (1)<br/>(T90-0852-05)</p>  | <p>*AC plug adaptor (1)<br/>(E03-0115-05)</p>      | <p>* Use to adapt the plug on the power cord to the shape of the wall outlet.<br/>(Accessory only for regions where use is necessary.)</p> |
| <p>Remote control unit (1)<br/>RC-R0609/R0610</p>  | <p>Batteries (R6/AA) (2)</p>                  | <p>Remote control unit (1)<br/>RC-R0808/0809</p>  | <p>Batteries (R6/AA) (2)</p>                            |

### Model name vs remote controller

| MODEL        | Destinations | Remote Controller |            |               |
|--------------|--------------|-------------------|------------|---------------|
|              |              | Parts number      | Model name | Battery cover |
| VR-407       | K            | A70-1330-05       | RC-R0609   | A09-1178-08   |
| VR-407       | P            | A70-1330-05       | RC-R0609   | A09-1178-08   |
| KRF-V7030D   | Y            | A70-1330-05       | RC-R0609   | A09-1178-08   |
| KRF-V7030D-S | M            | A70-1330-05       | RC-R0609   | A09-1178-08   |
| KRF-V7030D-S | I            | A70-1330-05       | RC-R0609   | A09-1178-08   |
| KRF-V7030D-S | X            | A70-1330-05       | RC-R0609   | A09-1178-08   |
| VR-407-S     | K1           | A70-1330-05       | RC-R0609   | A09-1178-08   |
| VR-409       | K            | A70-1315-05       | RC-R0809   | A09-1166-08   |
| VR-409       | P            | A70-1315-05       | RC-R0809   | A09-1166-08   |
| KRF-V8030D   | Y            | A70-1315-05       | RC-R0809   | A09-1166-08   |
| KRF-V8030D-S | M            | A70-1315-05       | RC-R0809   | A09-1166-08   |
| KRF-V8030D-S | I            | A70-1315-05       | RC-R0809   | A09-1166-08   |
| KRF-V8030D-S | X            | A70-1315-05       | RC-R0809   | A09-1166-08   |
| KRF-V8030D   | E            | A70-1345-05       | RC-R0808   | A09-1166-08   |
| KRF-V7030D   | E1           | A70-1331-05       | RC-R0610   | A09-1178-08   |
| KRF-V7030D   | T            | A70-1331-05       | RC-R0610   | A09-1178-08   |

### Cautions

#### Resetting the Microcomputer

If the microcomputer may malfunction (unit cannot be operated, or shows an erroneous display) if the power cord is unplugged while the power is ON, or due to some other external factor. If this happens, execute the following procedure to reset the microcomputer and return the unit to its normal operating condition.

\* Please note that resetting the microcomputer will clear the contents of the memory and returns the unit to the state it was in when it left the factory.

#### For U.S.A. and Canada

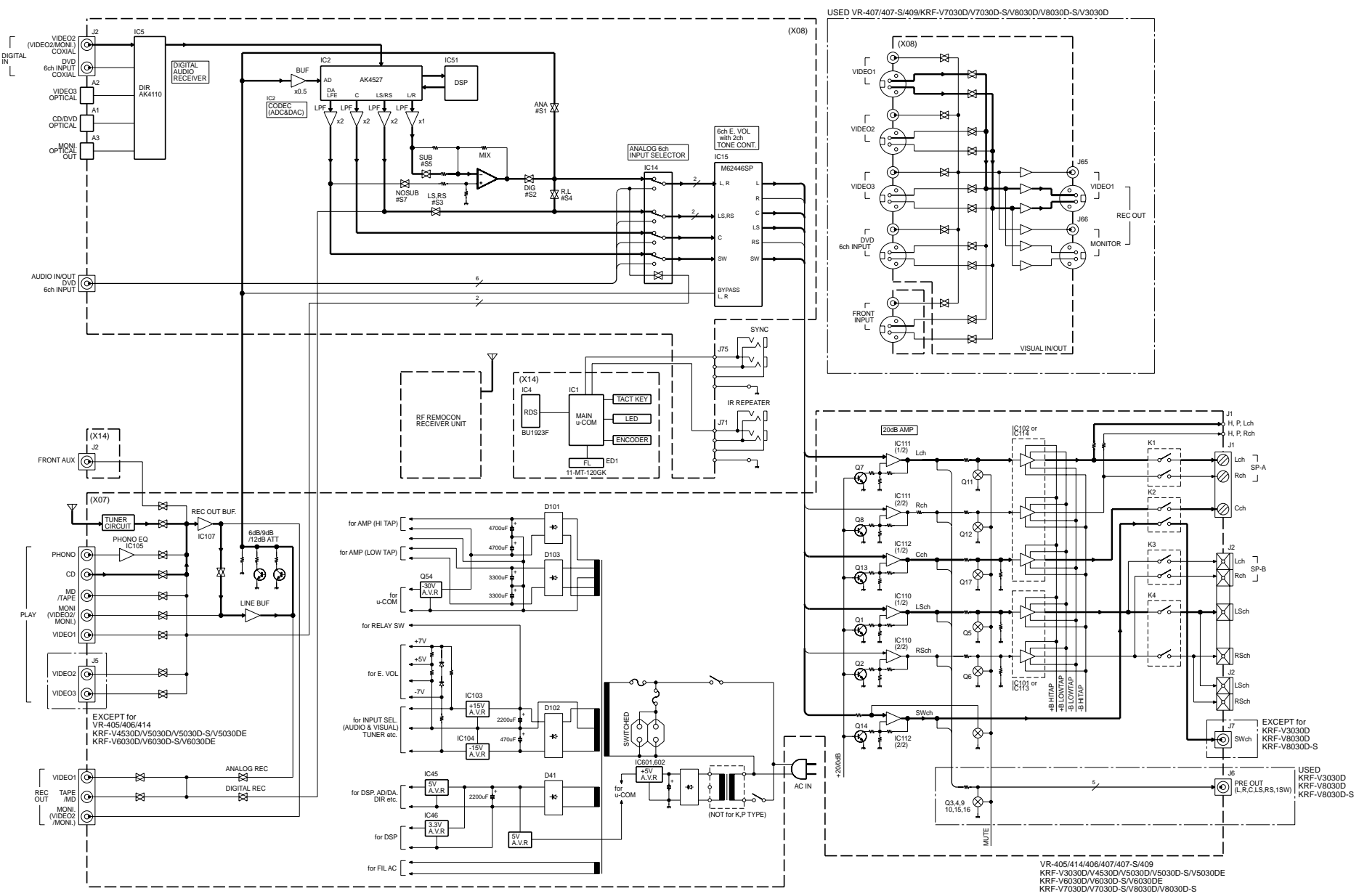
Unplug the power cord from the wall outlet, then plug it back in while holding down the POWER key.

#### For other countries

With the power cord plugged in, turn the POWER key OFF. Then, while holding down the ON/STANDBY key, press POWER.

# KRF-V7030D/V8030D/VR-407/409

## BLOCK DIAGRAM





## CIRCUIT DESCRIPTION

## 3-2 Pin description

| Pin No. | Pin Name            | I/O | Description                                 |
|---------|---------------------|-----|---|
| 1       | S. DATA             | I/O | Serial data signal.                         |
| 2       | S.BUS               | I/O | Serial busy signal.                         |
| 3       | SEL. ST1            | O   | Strobe output to input selector ( IC106).   |
| 4       | SEL/VOL/PLL DT      | O   | Data output to selector,volume and PLL IC.  |
| 5       | SEL/VOL/PLL CLK     | O   | Clock output to selector,volume and PLL IC. |
| 6       | SEL. ST2            | O   | Strobe 2 output to input selector ( IC109). |
| 7       | PLL. CE             | O   | PLL chip enable.                            |
| 8       | Vdd (+5v)           | -   | Power supply.                               |
| 9       | OSC OUT             | O   | 8MHz clock output.                          |
| 10      | OSC IN              | I   | 8MHz clock input.                           |
| 11      | Vss                 | -   | Connected to ground.                        |
| 12      | X IN                | -   | Connected to ground.                        |
| 13      | X OUT               | -   | No used.                                    |
| 14      | MMCD                | -   | Connected to ground.                        |
| 15      | Vref-               | -   | Connected to ground.                        |
| 16,17   | KEY2,KEY1           | I   | Input terminal of key1 and key2.            |
| 18      | MODEL TYPE          | I   | Discrimination port of models.              |
| 19      | TH. SENS            | I   | No used.                                    |
| 20      | PROTECT             | I   | Detection port of protection signal 1.      |
| 21      | PROTECT2            | I   | Detection port of protection signal 2.      |
| 22      | S.LEVEL/CH SPACE    | I   | RDS S level and channel space changeover.   |
| 23      | PLL DO              | I   | RDS PLL data signal input.                  |
| 24      | Vref+               | -   | Reference voltage of AD converter..         |
| 25      | CE                  | I   | Chip enable.                                |
| 26      | RESET               | I   | Reset signal input.                         |
| 27      | T. MUTE             | O   | Muting signal output to tuner.              |
| 28      | RF ST               | O   | CE signal output of RF receiver IC.         |
| 29      | RF DT               | O   | Data signal output of RF receiver IC.       |
| 30      | RF CLK              | O   | Clock signal output of RF receiver IC.      |
| 31      | VOL.ST              | O   | Latch output of electric volume.            |
| 32      | DSP INTREQ          | I/O | Detection port of DSP INTREQ.               |
| 33      | DTS DET             | I   | Detection port of DTS data.                 |
| 34      | REMOCON             | I   | Remote control signal input.                |
| 35      | DIR ERR             | I   | Detection port of DIR error signal.         |
| 36      | DZF                 | I   | Detection port of CODEC zero input.         |
| 37      | RDS.CLK             | I   | RDS clock input.                            |
| 38      | RDS.DAT/CE2         | I   | RDS data input./u-COM chip enable 2.        |
| 39      | DSP/DIR/CORDEC CDIN | O   | Serial data output.                         |
| 40      | DSP/DIR/CDOUT       | I   | Serial data input.                          |
| 41      | DSP/DIR/CORDEC CCLK | O   | Clock output to IC2, IC5 and IC51on X08.    |
| 42      | DSP CS              | O   | DSP chip select.                            |
| 43      | DSP PD              | O   | DSP power down.                             |
| 44      | DIR CODEC CS        | O   | CODEC chip select.                          |
| 45      | DIR CODEC PD        | O   | DIR CODEC power down.                       |
| 46      | NO USE              | -   | No used.                                    |
| 47-57   | 1G-11G              | O   | FL grid control(1G-11G).                    |
| 58-74   | P1-P17              | O   | FL segment control(P1-P17).                 |
| 75      | PACK CONT.          | O   | Power pack control.                         |
| 76      | LIMMITER            | O   | Control port of A class power supply.       |
| 77      | REAR RE             | O   | Relay control terminal of surround speaker. |
| 78      | CENTER RE           | O   | Relay control terminal of center speaker.   |
| 79      | FB RE               | O   | Relay control terminal of front B speaker.  |
| 80      | FA RE               | O   | Relay control terminal of front A speaker.  |

# KRF-V7030D/V8030D/VR-407/409

## CIRCUIT DESCRIPTION

| Pin No. | Pin Name            | I/O | Description   |
|---------|---------------------|-----|---|
| 81      | POWER RE            | O   | Power relay control.                                |
| 82      | CS5. 1(DOWN MIX)LED | O   | Control terminal of CS5.1(DOWN MIX) LED.            |
| 83      | 3 STEREO LED        | O   | Control terminal of 3 STEREO LED.                   |
| 84      | DTS LED             | O   | Control terminal of DTS LED.                        |
| 85      | DOLBY DIGITAL LED   | O   | Control terminal of DOLBY DIGITAL LED.              |
| 86      | PROLOGIC LED        | O   | Control terminal of PROLOGIC LED.                   |
| 87      | STANDBY LED         | O   | Control terminal of STANDBY LED.                    |
| 88      | PRE OUT MUTE        | O   | Muting control terminal of pre out.                 |
| 89      | 20dB ATT            | O   | 20dB attenuation(volume) control terminal.          |
| 90      | A.MUTE              | O   | Audio muting signal output.                         |
| 91      | ABOOT               | O   | EPROM CS.   |
| 92      | MULTI. ENC CW       | I   | Multi cont. encoder signal input(clockwise).        |
| 93      | MULTI. ENC CCW      | I   | Multi cont. encoder signal input(counterclockwise). |
| 94      | SEL. ENC CW         | I   | Selector encoder signal input(clockwise).           |
| 95      | SEL. ENC CCW        | I   | Selector encoder signal input(counterclockwise).    |
| 96      | VOL. ENC CW         | I   | Volume encoder signal input(clockwise).             |
| 97      | VOL. ENC CCW        | I   | Volume encoder signal input(counterclockwise).      |
| 98      | STEREO              | I   | Stereo (tuner) signal input.                        |
| 99      | SD                  | I   | Tuner (SD)detector input.                           |
| 100     | Vpp(-30V)           | -   | FL power supply(-35V).                              |

### 3-3 SW VS VOLTAGE

IC1(X14) MICROPROCESSOR:MN101C35DRA

| VOLTAGE | AD VALUE | KEY1(#16)       | KEY2(#17)     |
|---------|----------|-----------------|---------------|
| 5.0V    | 255      |                 |               |
|         |          | ON/STANDBY      | KEY OFF       |
| 4.5V    | 230      |                 |               |
|         |          | DIMMER          | MEMORY        |
| 4.0V    | 205      |                 |               |
|         |          | INPUT MODE      | AUTO          |
| 3.4V    | 174      |                 |               |
|         |          | SETUP           | BAND          |
| 2.8V    | 143      |                 |               |
|         |          | MONITOR         | SOUND         |
| 2.1V    | 108      |                 |               |
|         |          | SP.B(MUTE)      | LISTEN MODE   |
| 1.4V    | 72       |                 |               |
|         |          | SP.A(SP ON/OFF) | SOURCE DIRECT |
| 0.8V    | 41       |                 |               |
|         |          | KEY OFF         | KEY OFF       |
| 0.0V    | 0        |                 |               |

# KRF-V7030D/V8030D/VR-407/409

## CIRCUIT DESCRIPTION

### 3-4 Switch control table

#### 3-4-1 IC106(X07) INPUT/REC OUT SELECTOR: NJU7313AM

| SW# | L-ch pin# | R-ch pin# | Function        | INPUT SELECTOR |       |    |         |        |        |        |           | MODE   |         | TAPE MON |     | ATT.        |             |     |
|-----|-----------|-----------|-----------------|----------------|-------|----|---------|--------|--------|--------|-----------|--------|---------|----------|-----|-------------|-------------|-----|
|     |           |           |                 | TUNER          | PHONO | CD | TAPE/MD | VIDEO1 | VIDEO2 | VIDEO3 | FRONT AUX | ANALOG | DIGITAL | ON       | OFF | ATT1 (-6dB) | ATT2 (-3dB) | OFF |
| S1  | 27        | 2         | TUNER           | 1              | 0     | 0  | 0       | 0      | 0      | 0      | 0         |        |         |          |     |             |             |     |
| S2  | 26        | 3         | PHONO           | 0              | 1     | 0  | 0       | 0      | 0      | 0      | 0         |        |         |          |     |             |             |     |
| S3  | 25        | 4         | CD              | 0              | 0     | 1  | 0       | 0      | 0      | 0      | 0         |        |         |          |     |             |             |     |
| S4  | 24        | 5         | TAPE/MD         | 0              | 0     | 0  | 1       | 0      | 0      | 0      | 0         |        |         |          |     |             |             |     |
| S5  | 22        | 7         | TAPE/MD REC OUT | 1              | 1     | 1  | 0       | 1      | 1      | 1      | 1         |        |         |          |     |             |             |     |
| S6  | 21        | 8         | VIDEO1 REC OUT  | 1              | 1     | 1  | 1       | 0      | 1      | 1      | 1         |        |         |          |     |             |             |     |
| S7  | 19        | 10        | ANALOG          |                |       |    |         |        |        |        |           | 1      | 0       |          |     |             |             |     |
| S8  | 18        | 11        | DIGITAL         |                |       |    |         |        |        |        |           | 0      | 1       |          |     |             |             |     |

#### IC109(X07) INPUT/ATT. SELECTOR: NJU7313AM

|    |    |    |           |   |   |   |   |   |   |   |   |  |  |   |   |   |   |   |
|----|----|----|-----------|---|---|---|---|---|---|---|---|--|--|---|---|---|---|---|
| S1 | 27 | 2  | VIDEO1    | 0 | 0 | 0 | 0 | 1 | 0 | 0 | 0 |  |  |   |   |   |   |   |
| S2 | 26 | 3  | VIDEO2    | 0 | 0 | 0 | 0 | 0 | 1 | 0 | 0 |  |  |   |   |   |   |   |
| S3 | 25 | 4  | VIDEO3    | 0 | 0 | 0 | 0 | 0 | 0 | 1 | 0 |  |  |   |   |   |   |   |
| S4 | 24 | 5  | FRONT AUX | 0 | 0 | 0 | 0 | 0 | 0 | 0 | 1 |  |  |   |   |   |   |   |
| S5 | 20 | 9  | LINE      |   |   |   |   |   |   |   |   |  |  | 0 | 1 |   |   |   |
| S6 | 21 | 8  | MONITOR   |   |   |   |   |   |   |   |   |  |  | 1 | 0 |   |   |   |
| S7 | 19 | 10 | ATT1      |   |   |   |   |   |   |   |   |  |  |   |   | 1 | 0 | 0 |
| S8 | 18 | 11 | ATT2      |   |   |   |   |   |   |   |   |  |  |   |   | 0 | 1 | 0 |

### 3-4-2 ANALOG 6CH INPUT SELECTOR

#### IC14(X08) ANALOG 6-CH INPUT SELECTOR: NJU7311AM

| PORT | PIN# | FUNCTION                    | SELECTOR   |        |       |   |
|------|------|-----------------------------|------------|--------|-------|---|
|      |      |                             | 6-CH INPUT | OTHERS | TAPE2 |   |
| LS1  | 3    | CENTER                      | OTHERS     | 0      | 1     | 1 |
| LS2  | 2    |                             | 6-CH INPUT | 1      | 0     | 0 |
| LS3  | 5    | SURROUND L-CH               | OTHERS     | 0      | 1     | 1 |
| LS4  | 6    |                             | 6-CH INPUT | 1      | 0     | 0 |
| LS5  | 9    | FRONT L-CH                  | OTHERS     | 0      | 1     | 1 |
| LS6  | 8    |                             | 6-CH INPUT | 1      | 0     | 0 |
| LS7  | 11   | REC OUT SW L FOR 6-CH INPUT | 1          | 0      | 1     |   |
| RS1  | 28   | SUBWOOFER                   | OTHERS     | 0      | 1     | 1 |
| RS2  | 29   |                             | 6-CH INPUT | 1      | 0     | 0 |
| RS3  | 25   | SURROUND R-CH               | OTHERS     | 0      | 1     | 1 |
| RS4  | 26   |                             | 6-CH INPUT | 1      | 0     | 0 |
| RS5  | 22   | FRONT R-CH                  | OTHERS     | 0      | 1     | 1 |
| RS6  | 23   |                             | 6-CH INPUT | 1      | 0     | 0 |
| RS7  | 20   | REC OUT SW R FOR 6-CH INPUT | 1          | 0      | 1     |   |

### 3-4-3 CONFIGURATION SELECTOR

#### IC12(X08) CONFIGURATION SELECTOR: NJU7311AM

| SW# | L-ch pin# | R-ch pin# | Function | MODE     |        | OUTPUT |        | CONFIGURATION |       |
|-----|-----------|-----------|----------|----------|--------|--------|--------|---------------|-------|
|     |           |           |          | SURROUND | STEREO | DSP    | ANALOG | SW OFF        | SW ON |
| S1  | 2         | 29        | SURROUND | 1        | 0      |        |        |               |       |
| S2  | 3         | 28        | STEREO   | 0        | 1      |        |        |               |       |
| S3  | 5         | 26        | DIGITAL  |          |        | 1      | 0      |               |       |
| S4  | 6         | 25        | ANALOG   |          |        | 0      | 1      |               |       |
| S5  |           |           |          |          |        |        |        |               |       |
| S6  |           |           |          |          |        |        |        |               |       |
| S7  |           | 11/20     | CONFIG.  |          |        |        |        | 1             | 0     |

# KRF-V7030D/V8030D/VR-407/409

## CIRCUIT DESCRIPTION

### 3-4-4 DESTINATION

| PORT# | PORT NAME | VR-409     |     |         |   |   |   | VR-407     |     |         |   | VR-406     |     |         |   | VR-405/VR-414 |     |         |   |
|-------|-----------|------------|-----|---------|---|---|---|------------|-----|---------|---|------------|-----|---------|---|---------------|-----|---------|---|
|       |           | KRF-V8030D |     |         |   |   |   | KRF-V7030D |     |         |   | KRF-V6030D |     |         |   | KRF-V5030D    |     |         |   |
|       |           | K/P        | E/T | M/V/I/Y | X | J |   | K/P        | E/T | M/V/I/Y | X | K/P        | E/T | M/V/I/Y | X | K/P           | E/T | M/V/I/Y | X |
| 67    | D25       | 0          | 0   | 0       | 0 | 0 | 1 | 1          | 1   | 1       | 0 | 0          | 0   | 0       | 0 | 0             | 0   | 0       | 0 |
| 66    | D26       | 1          | 1   | 1       | 1 | 1 | 0 | 0          | 0   | 0       | 0 | 0          | 0   | 0       | 0 | 0             | 0   | 0       | 0 |
| 65    | D27       | 0          | 0   | 0       | 0 | 0 | 0 | 0          | 0   | 0       | 1 | 1          | 1   | 1       | 0 | 0             | 0   | 0       | 0 |
| 64    | D28       | 0          | 1   | 1       | 1 | 1 | 0 | 1          | 1   | 1       | 0 | 1          | 1   | 1       | 0 | 1             | 1   | 1       | 1 |
| 63    | D29       | 0          | 0   | 0       | 1 | 1 | 0 | 0          | 0   | 1       | 0 | 0          | 0   | 1       | 0 | 0             | 0   | 0       | 1 |
| 62    | D30       | 0          | 1   | 0       | 0 | 1 | 0 | 1          | 0   | 0       | 0 | 1          | 0   | 0       | 0 | 1             | 0   | 0       | 0 |

### 3-4-5 Listen Mode

| Mode                   | DTS | Dolby Digital | Pro Logic | 3 Stereo | DSP | CS  | Stereo |
|------------------------|-----|---------------|-----------|----------|-----|-----|--------|
| DTS                    | yes |               |           |          |     |     | yes    |
| Dolby Digital (no2-ch) |     | yes           |           |          |     |     | yes    |
| Dolby Digital (2-ch)   |     |               | yes       | yes      |     |     | yes    |
| Pro Logic              |     |               | yes       | yes      |     |     | yes    |
| PCM                    |     |               | yes       | yes      | yes | yes | yes    |

Note: Auto Mode function is not change after setting listen mode

### 3-4-6 MODEL vs FEATURE

| Function      | KRF-V3030D  | VR-409      | VR-407      | VR-406 (except K,P) | VR-406(K,P) | VR-405 (except K,P) | VR-405(K,P) |
|---------------|-------------|-------------|-------------|---------------------|-------------|---------------------|-------------|
| DTS           | yes         | yes         | yes         | no                  | no          | no                  | no          |
| CS            | yes         | yes         | no          | no                  | no          | no                  | no          |
| 6ch input     | yes         | yes         | yes         | yes                 | yes         | yes                 | no          |
| Speaker B     | yes         | yes         | yes         | yes                 | yes         | mute                | mute        |
| Multi Control | Encoder     | Encoder     | Encoder     | Tact                | Tact        | Tact                | Tact        |
| Monitor       | yes(on/off) | yes(on/off) | yes(on/off) | VIDEO2/MONI         | VIDEO2/MONI | VIDEO2/MONI         | VIDEO2/MONI |
| AV AUX        | yes         | yes         | yes         | no                  | AUX         | no                  | AUX         |
| PHONO         | yes         | yes         | yes         | yes                 | no          | yes                 | no          |
| Remocon       | RF          | Preset      | Preset      | Normal              | Normal      | Normal              | Normal      |
| Diode SW      | D1          | D2          | D3          | D4                  | D5          | D6                  | D7          |



## CIRCUIT DESCRIPTION

### 3-4-7 Speaker Setup

|                         |       |        |    |        |             |    |    |             |    |
|-------------------------|-------|--------|----|--------|-------------|----|----|-------------|----|
| Subwoofer               | yes   |        |    |        |             |    |    |             |    |
| Front SP.               | Large |        |    |        |             |    |    |             |    |
| Center SP.              | Large |        |    | Normal |             |    | no |             |    |
| Surround SP.            | Large | Normal | no | -      | Normal(yes) | no | -  | Normal(yes) | no |
| Center Mode (Pro Logic) | Wide  | Wide   | -  | -      | Normal      | -  | -  | Phantom     | -  |

|                         |        |   |   |             |             |    |    |             |    |
|-------------------------|--------|---|---|-------------|-------------|----|----|-------------|----|
| Subwoofer               | yes    |   |   |             |             |    |    |             |    |
| Front SP.               | Normal |   |   |             |             |    |    |             |    |
| Center SP.              | -      |   |   | Normal(yes) |             |    | no |             |    |
| Surround SP.            | -      | - | - | -           | Normal(yes) | no | -  | Normal(yes) | no |
| Center Mode (Pro Logic) | -      | - | - | -           | Normal      | -  | -  | Phantom     | -  |

|                         |       |        |    |        |             |    |    |             |    |
|-------------------------|-------|--------|----|--------|-------------|----|----|-------------|----|
| Subwoofer               | no    |        |    |        |             |    |    |             |    |
| Front SP.               | Large |        |    |        |             |    |    |             |    |
| Center SP.              | Large |        |    | Normal |             |    | no |             |    |
| Surround SP.            | Large | Normal | no | -      | Normal(yes) | no | -  | Normal(yes) | no |
| Center Mode (Pro Logic) | Wide  | Wide   | -  | -      | Normal      | -  | -  | Phantom     | -  |

### 4. Test mode specification

1. How to set up the test mode.

|                  |                |
|------------------|----------------|
| Test mode        | How to set up. |
| Normal test mode | BAND key+AC-ON |

2. How to cancel the test mode.

- TEST MODE is initialized by cutting off the power supply.
- Power off is initialization can't be set up. Power off cancels only the test mode.

3. How to set up the initialization of the set.

An initialization movement is done, and FL indication is erased when AC is turned on with pushing POWER key of set.

4. A key movement during the all LCDs lighting.

#### 4-1 A setup of Rf receiving frequency one touch. (only VR-410)

| Operation key            | DISPLAY           | Function  |
|--------------------------|-------------------|---|
| <b>SOUND</b> key         | Normal indication | RF frequency indication is outputted together in the FL indication when the establishment of the RF receiving frequency is made 411.3MHz. (test mode is not cancel it.) |
| <b>LISTEN MODE</b> key   | Normal indication | RF frequency indication is outputted together in the FL indication when the establishment of the RF receiving frequency is made 414.3MHz. (test mode is not cancel it.) |
| <b>SOURCE DIRECT</b> key | Normal indication | RF frequency indication is outputted together in the FL indication when the establishment of the RF receiving frequency is made 417.3MHz. (test mode is not cancel it.) |

## CIRCUIT DESCRIPTION

### 4-2 S LEVEL indication(only E/T TYPE)

| Operation key                 | DISPLAY   | Function        |
|-------------------------------|---|-----------------|
| MEMORY key<br>Cyclic function | ATT_ON_HEX DATA<br>↓<br>The signal level of tuner | RF ATT ON       |
|                               | ATT_ON_HEX DATA<br>↓<br>The signal level of tuner | RF ATT OFF      |
|                               | Normal indication                                 | Normal function |

### 4-3 CHANNEL SPACE SW(50kHz/100kHz) indication(only M/C/Y//V TYPE)

When SPEAKERS A key is pushed, it is checked, and the condition of CHANNEL SPACE SW of the TUNER circuit board is indicated with EON of the FL indication and TI.VOL.

(It is made to indication of CHANNEL SPACE SW at that time at the time of POWER supply on in FL)

| Operation key                     | DISPLAY                        | Function   |
|-----------------------------------|--------------------------------|--|
| SPEAKERS B key<br>Cyclic function | It turns on EON indication.    | When CHANNEL SPACE SW is 50kHz, it turns on EON.     |
|                                   | It turns on TI.VOL indication. | When CHANNEL SPACE SW is 100kHz, it turns on TI.VOL. |

### 5. TEST TONE easy function

The key movement when selector is DVD.

| Operation key  | DISPLAY           | FUNCTION  |
|----------------|-------------------|---|
| SPEAKERS A key | Normal indication | TEST TONE ON ← → TEST TONE OFF<br>The speaker output of each ch is mode one second. |

### 6. A release of TEST MODE

The Key movement when selector is DVD.

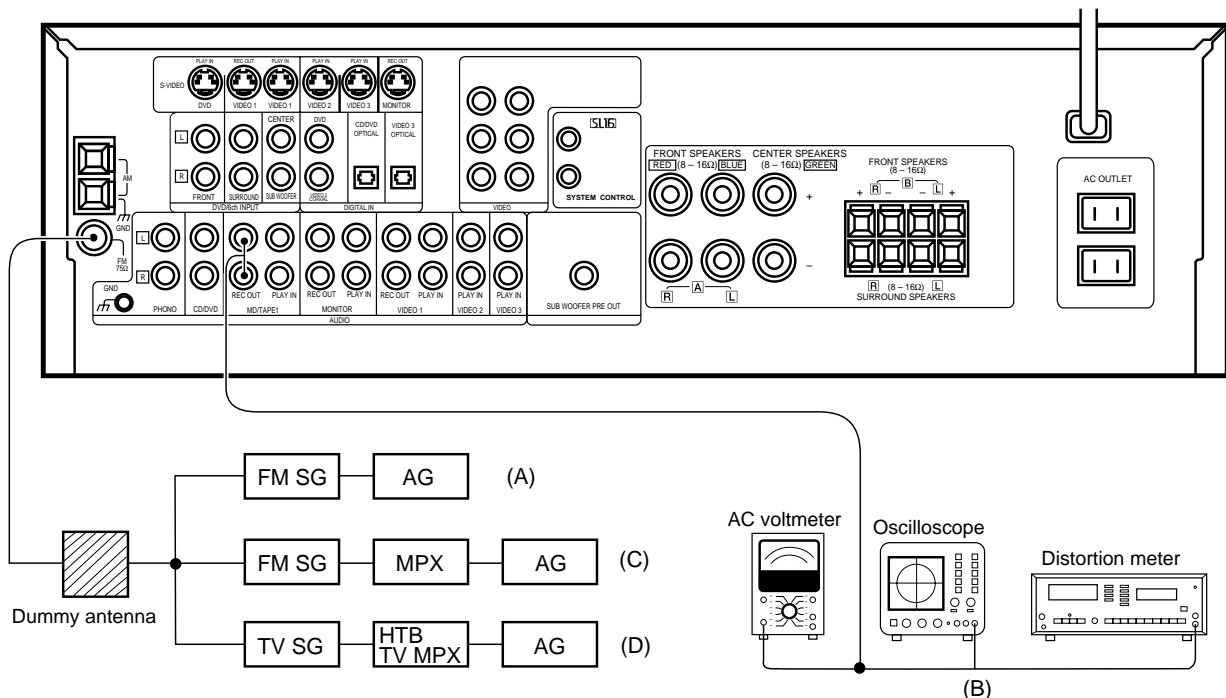
| Operation key  | DISPLAY           | FUNCTION   |
|----------------|-------------------|--|
| SPEAKERS B key | Normal indication | TEST MODE is canceled.<br>It doesn't need to initialization. |

# KRF-V7030D/V8030D/VR-407/409

## ADJUSTMENT

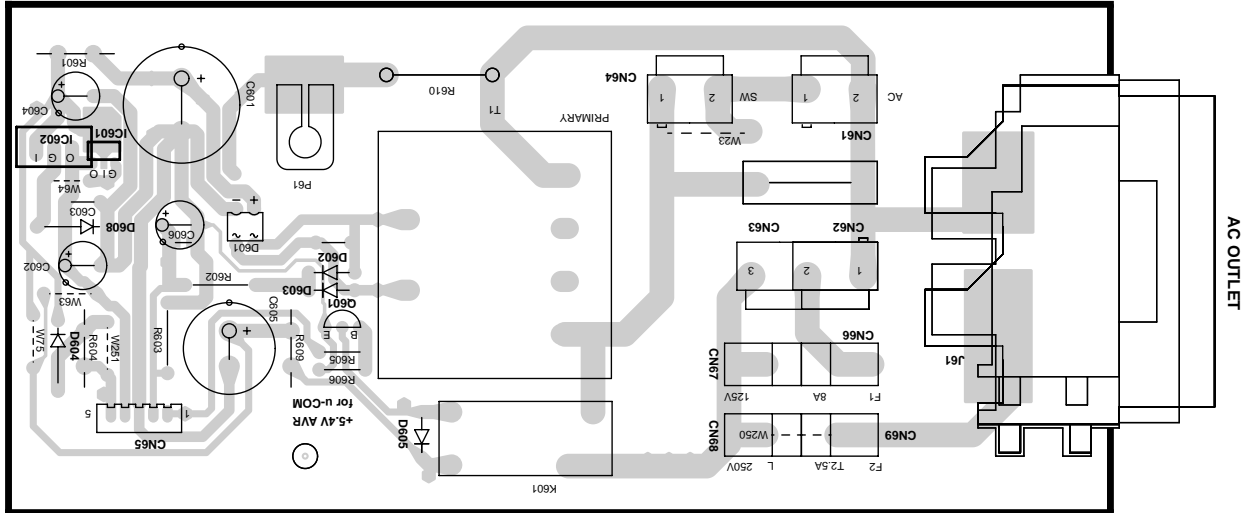
| No.  | ITEM                        | INPUT SETTINGS   | OUTPUT SETTINGS  | RECEIVER SETTINGS | ALIGNMENT POINTS           | ALIGN FOR  | FIG. |
|--|-----------------------------|--|--|-------------------|----------------------------|--|------|
| <b>FM SECTION : EXCEPT E,T type      SELECTOR : FM</b>                                   |                             |  |  |                   |                            |  |      |
| 1  | DISCRIMINATOR<br>(K,P only) | (A)<br>98.0MHz 1kHz,<br>±75kHz dev.<br>70dBf (ANT. input)  | Connect a DC<br>voltmeter<br>between CN4<br>① and CN4 ②<br>(X07) | 98.0MHz           | L4<br>(X07)                | 0V   |      |
| 2  | TUNING LEVEL                | (A)<br>98.0MHz MONO 1kHz,<br>±75kHz dev.<br>29.2dBf (ANT. input)                                     | (B)  | MONO<br>98.0MHz   | VR1<br>(X07)               | Adjust VR1 and<br>stop at the point<br>where ED1<br>(TUNED) goes on. |      |
| <b>FM SECTION : E,T type only      SELECTOR : FM      ※ Adjust NO.1 and NO.2 repeat.</b> |                             |  |  |                   |                            |  |      |
| 1  | DISCRIMINATOR               | (A)<br>98.0MHz 1kHz,<br>±40kHz dev.<br>70dBf (ANT. input)  | Connect a DC<br>voltmeter<br>between CN4<br>① and CN4 ②<br>(X07) | MONO<br>98.0MHz   | L4<br>(X07)                | 0V   |      |
| 2  | DISTORTION<br>(MONO)        | (A)<br>98.0MHz 1kHz,<br>±40kHz dev. MONO<br>70dBf (ANT. input)                                       | (B)  | MONO<br>98.0MHz   | L5<br>(X07)                | Minimum distortion   |      |
| 3  | DISTORTION<br>(STEREO)      | (C)<br>98.0MHz<br>1kHz, ±40kHz dev.<br>Selector : L or R<br>Pilot : ±6kHz dev.<br>70dBf (ANT. input) | (B)  | AUTO<br>98.0MHz   | IFT<br>(FRONT END<br>: A1) | Minimum distortion<br>(L or R)                                       |      |
| 4  | TUNING LEVEL                | (A)<br>98.0MHz MONO 1kHz,<br>±40kHz dev.<br>29.2dBf (ANT. input)                                     | (B)  | MONO<br>98.0MHz   | VR1<br>(X07)               | Adjust VR1 and<br>stop at the point<br>where ED1<br>(TUNED) goes on. |      |

## SYSTEM CONNECTIONS

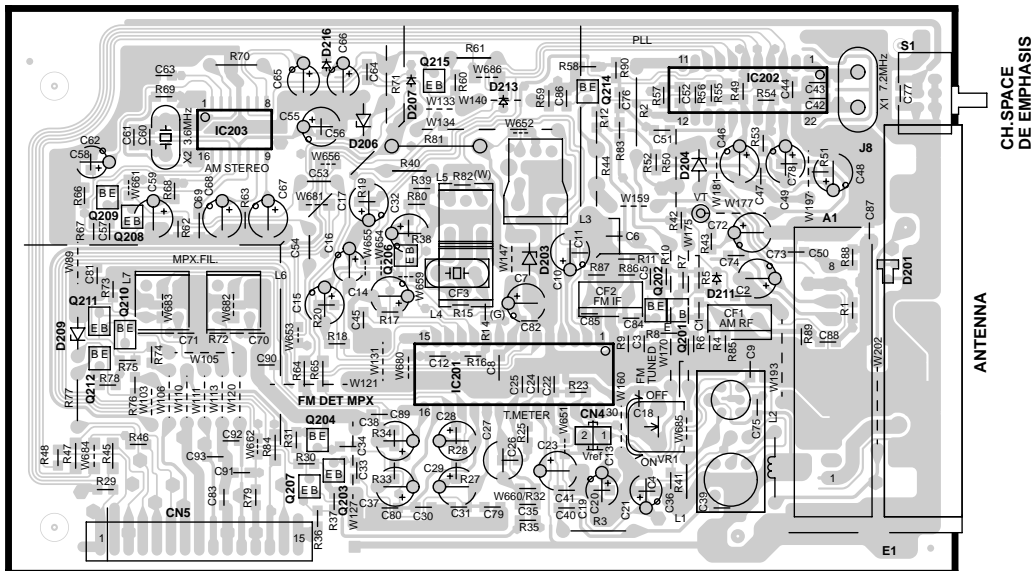


# PC BOARD (Component side view)

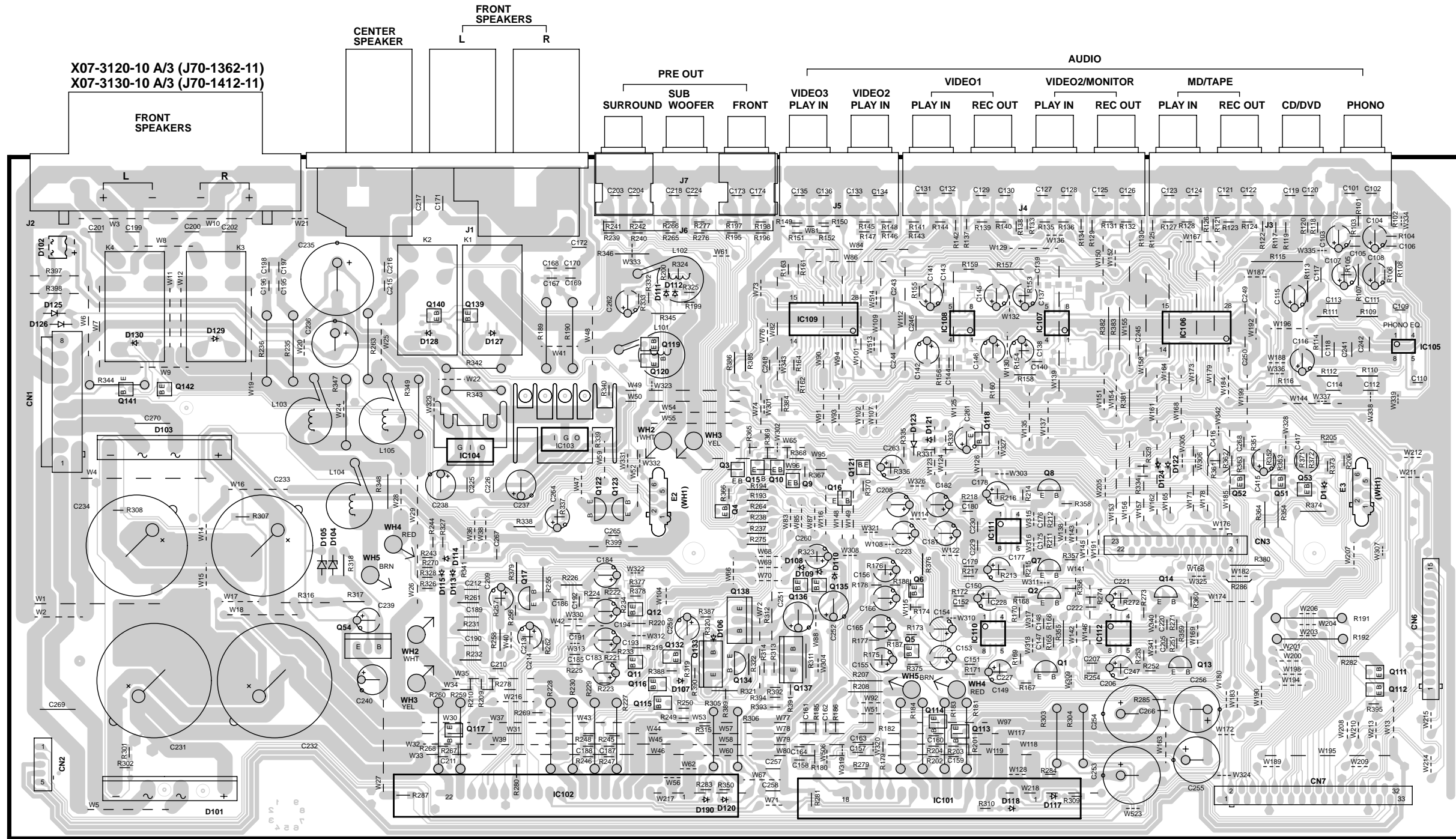
X07-3120-10 C/3 (J70-1362-11)  
 X07-3130-10 C/3 (J70-1412-11)



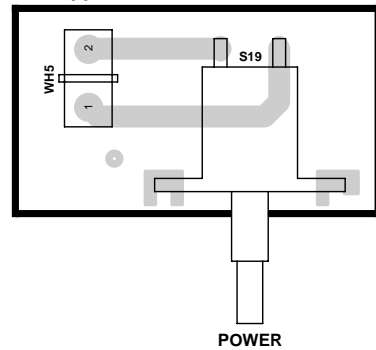
X07 B/3



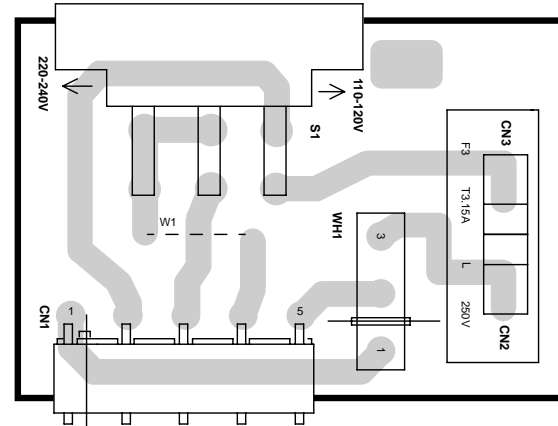
# PC BOARD(Component side view)



X14 F/6

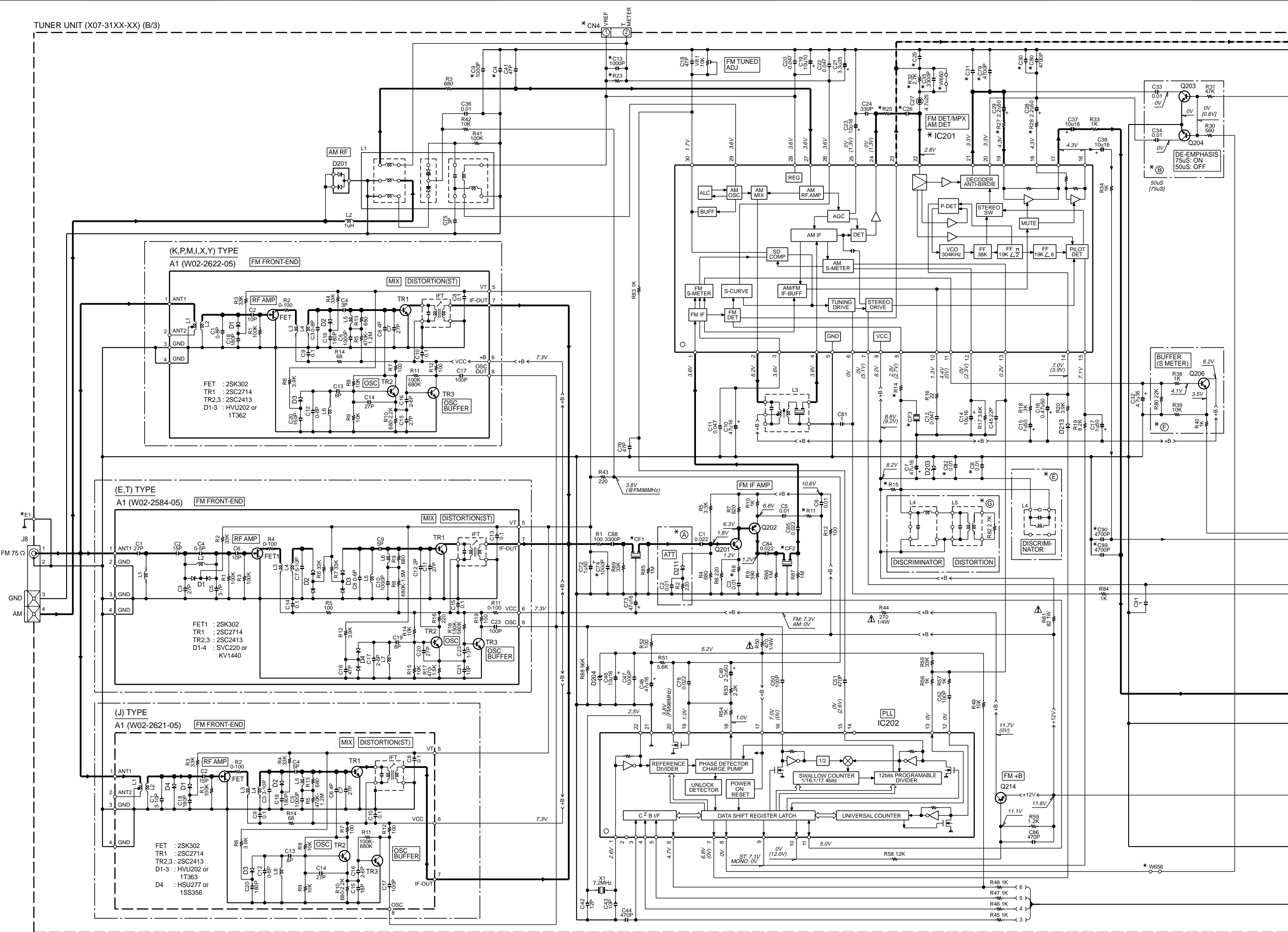


X00-3000-20 (J70-1368-01)



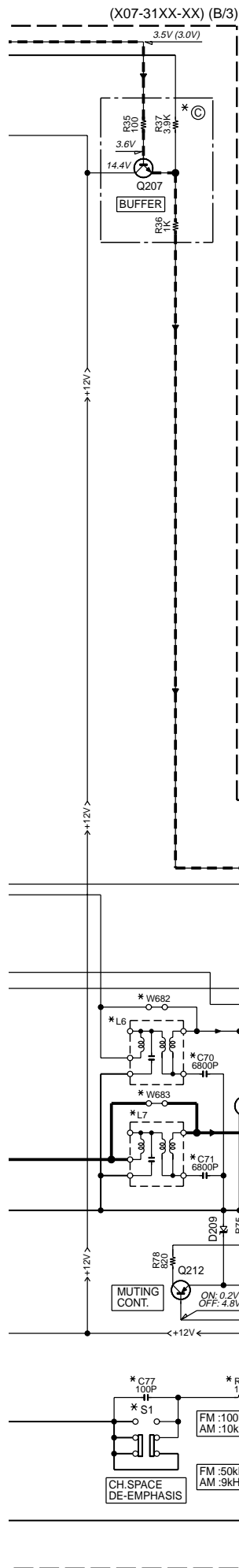


TUNER UNIT (X07-31XX-XX) (B/3)



1  
2  
3  
4  
5  
6  
7

A B C D E F G H I J



| DESTINATION |   | UNIT No. | A | B | C | F | G | E   | R8, 11 | R14 | R15  | R23  | R25 | R27, 28 | R29 | R32 | R72, 73 | C4   | C8,9,13,70, 71,77,79,80 | C25  | C26   | C30, 31 | C35,74, 82,89,90 | CF1,2          | CF3 | IC201  | L6,7 | CN4 | W656, 660 | W682, 683 | S1 | E1       |
|-------------|---|----------|---|---|---|---|---|-----|--------|-----|------|------|-----|---------|-----|-----|---------|------|-------------------------|------|-------|---------|------------------|----------------|-----|--------|------|-----|-----------|-----------|----|----------|
| U.S.A.      | K | 0-10     |   |   |   |   |   | YES | 33     | 100 | 4.7K | 9.1K | 16K | 6.8K    | NO  | YES | 15K     | 330P | NO                      | 470P | 0.022 | 0.033   | YES              | L72-0596 (MS2) | NO  | LA1837 | NO   | YES | NO        | YES       | NO | F10-1129 |
| CANADA      | P |          |   |   |   |   |   | NO  |        |     |      |      |     |         |     |     |         |      |                         |      |       |         |                  |                |     |        |      |     |           |           |    |          |

| DESTINATION |    | UNIT No. | A | B | C | F | G | E   | R8, 11 | R14 | R15  | R23  | R25 | R27, 28 | R29 | R32 | R72, 73 | C4   | C8,9,13,70, 71,77,79,80 | C25  | C26   | C30, 31 | C35,74, 82,89,90 | CF1,2          | CF3 | IC201  | L6,7 | CN4 | W656, 660 | W682, 683 | S1 | E1       |
|-------------|----|----------|---|---|---|---|---|-----|--------|-----|------|------|-----|---------|-----|-----|---------|------|-------------------------|------|-------|---------|------------------|----------------|-----|--------|------|-----|-----------|-----------|----|----------|
| U.S.A.      | K1 | 0-10     |   |   |   |   |   | YES | 33     | 100 | 4.7K | 9.1K | 16K | 6.8K    | NO  | YES | 15K     | 330P | NO                      | 470P | 0.022 | 0.033   | YES              | L72-0596 (MS2) | NO  | LA1837 | NO   | YES | NO        | YES       | NO | F10-1129 |
| CANADA      | P  |          |   |   |   |   |   | NO  |        |     |      |      |     |         |     |     |         |      |                         |      |       |         |                  |                |     |        |      |     |           |           |    |          |

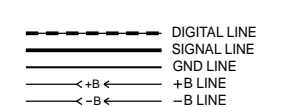
| DESTINATION |   | UNIT No. | A | B | C | F | G | E   | R8, 11 | R14 | R15  | R23  | R25 | R27, 28 | R29 | R32 | R72, 73 | C4   | C8,9,13,70, 71,77,79,80 | C25  | C26   | C30, 31 | C35,74, 82,89,90 | CF1,2          | CF3 | IC201  | L6,7 | CN4 | W656, 660 | W682, 683 | S1 | E1       |
|-------------|---|----------|---|---|---|---|---|-----|--------|-----|------|------|-----|---------|-----|-----|---------|------|-------------------------|------|-------|---------|------------------|----------------|-----|--------|------|-----|-----------|-----------|----|----------|
| U.S.A.      | K | 0-11     |   |   |   |   |   | YES | 33     | 100 | 4.7K | 9.1K | 16K | 6.8K    | NO  | YES | 15K     | 330P | NO                      | 470P | 0.022 | 0.033   | YES              | L72-0596 (MS2) | NO  | LA1837 | NO   | YES | NO        | YES       | NO | F10-1129 |
| CANADA      | P |          |   |   |   |   |   | NO  |        |     |      |      |     |         |     |     |         |      |                         |      |       |         |                  |                |     |        |      |     |           |           |    |          |

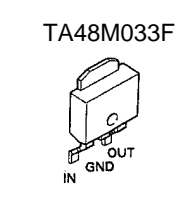
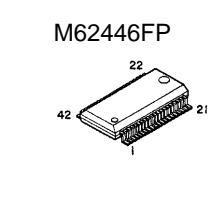
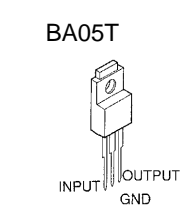
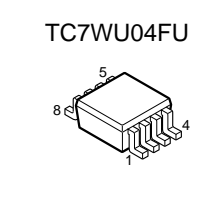
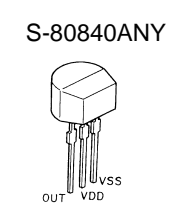
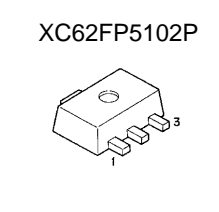
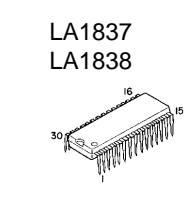
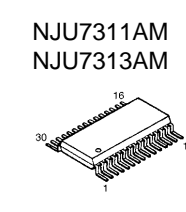
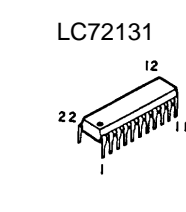
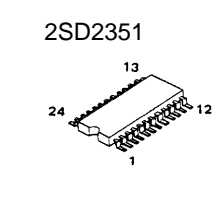
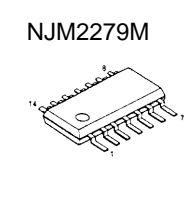
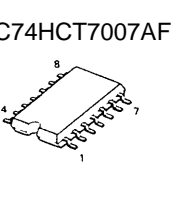
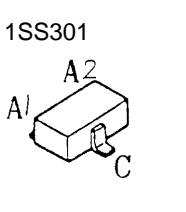
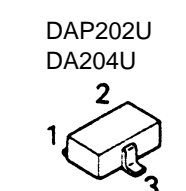
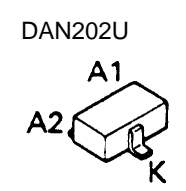
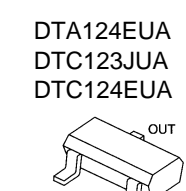
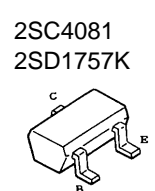
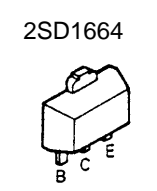
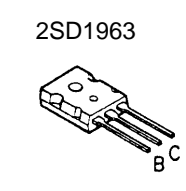
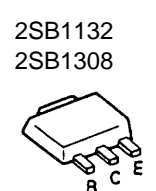
| DESTINATION |   | UNIT No. | A | C | E | F | G | B   | E   | R8, 11 | R14 | R15 | R23  | R25  | R27, 28 | R29  | R32 | R72, 73 | C4,70,71, 79,80,82 | C8,9,35, 89,90 | C13, 74 | C25  | C26   | C30, 31 | C77   | CF1,2          | CF3            | IC201  | L6,7   | CN4 | E656 | W660 | W682, 683 | S1  | E1       |          |
|-------------|---|----------|---|---|---|---|---|-----|-----|--------|-----|-----|------|------|---------|------|-----|---------|--------------------|----------------|---------|------|-------|---------|-------|----------------|----------------|--------|--------|-----|------|------|-----------|-----|----------|----------|
| U.S.A.      | K | 0-21     |   |   |   |   |   | YES | NO  | 33     | 270 | NO  | 3.3K | 18K  | 7.5K    | YES  | YES | 8.2K    | NO                 | YES            | NO      | NO   | 470P  | 0.022   | 0.022 | NO             | L72-0531 (MA5) | YES    | LA1838 | NO  | NO   | YES  | NO        | YES | YES      | F10-1129 |
| MALAYSIA    | I |          |   |   |   |   |   | NO  | YES | 10     | 22  | 100 | 33K  | 15K  | 27K     | 4.3K | NO  | 3.9K    | YES                | NO             | YES     | NO   | 180P  | 0.018   | 0.022 | YES            | L72-0536 (MS3) | NO     | LA1837 | YES | NO   | NO   | YES       | NO  | F10-1167 |          |
| AUSTRALIA   | X | 0-71     |   |   |   |   |   | NO  | NO  | 33     | 33  | 270 | NO   | 3.3K | 18K     | 7.5K | YES | 8.2K    | NO                 | YES            | NO      | 470P | 0.022 |         |       | L72-0531 (MA5) | YES            | LA1838 | NO     | NO  | YES  | NO   | YES       | NO  | F10-1129 |          |

| DESTINATION |   | UNIT No. | A | C | F | E | G | B   | E   | R8, 11 | R14 | R15 | R23  | R25  | R27, 28 | R29  | R32 | R72, 73 | C4,70,71, 79,80,82 | C8,9,35, 89,90 | C13, 74 | C25  | C26   | C30, 31 | C77   | CF1,2          | CF3            | IC201  | L6,7   | CN4 | W656,682, 683 | W660 | W682, 683 | S1  | E1       |          |
|-------------|---|----------|---|---|---|---|---|-----|-----|--------|-----|-----|------|------|---------|------|-----|---------|--------------------|----------------|---------|------|-------|---------|-------|----------------|----------------|--------|--------|-----|---------------|------|-----------|-----|----------|----------|
| U.S.A.      | K | 0-21     |   |   |   |   |   | YES | NO  | 33     | 270 | NO  | 3.3K | 18K  | 7.5K    | YES  | YES | 8.2K    | NO                 | YES            | NO      | NO   | 470P  | 0.022   | 0.022 | NO             | L72-0531 (MA5) | YES    | LA1838 | NO  | NO            | YES  | NO        | YES | YES      | F10-1129 |
| MALAYSIA    | I |          |   |   |   |   |   | NO  | YES | 10     | 22  | 100 | 33K  | 15K  | 27K     | 4.3K | NO  | 3.9K    | YES                | NO             | YES     | NO   | 180P  | 0.018   | 0.022 | YES            | L72-0536 (MS3) | NO     | LA1837 | YES | NO            | NO   | YES       | NO  | F10-1167 |          |
| AUSTRALIA   | X | 0-71     |   |   |   |   |   | NO  | NO  | 33     | 33  | 270 | NO   | 3.3K | 18K     | 7.5K | YES | 8.2K    | NO                 | YES            | NO      | 470P | 0.022 |         |       | L72-0531 (MA5) | YES            | LA1838 | NO     | NO  | YES           | NO   | YES       | NO  | F10-1129 |          |



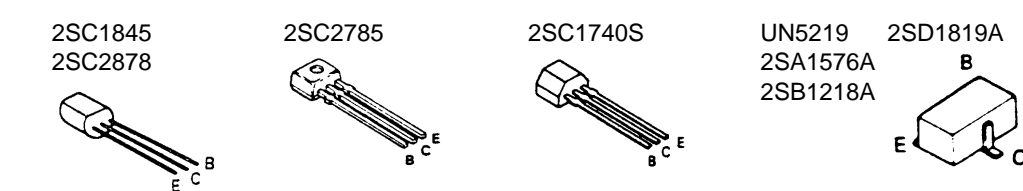
- IC201 : \*
- IC202 : LC72131
- Q201,203,204,206,207 : 2SD1819A(Q,R) or 2SC4081(R,S)
- Q202,212,214 : 2SB1218A(Q,R) or 2SA1576A(R,S)
- Q210,211 : 2SD1757K
- D201 : DA204U or 1SS302 or MA143A
- D203 : MTZJ8.2(B) or HZS8.2N(B2)
- D204 : MTZJ5.1(B) or HZS5.1N(B2)
- D213 : MA111
- D209 : MTZJ3.3(B) or HZS3.3N(B2)



**CAUTION:** For continued safety, replace safety critical components only with manufacturer's recommended parts (refer to parts list).  $\Delta$  indicates safety critical components. For continued protection against risk of fire, replace only with same type and rating fuse(s). To reduce the risk of electric shock, leakage-current or resistance measurements shall be carried out (exposed parts are acceptably insulated from the supply circuit) before the appliance is returned to the customer.

The DC voltage is an actual reading measured with a high impedance type voltmeter as the AM/FM signal generator is specified to the conditions as shown in the list below. The measurement value may vary depending on the measuring instruments used or on the product. The value shown in ( ) is actual reading measured in the AM mode.

| MODE | CARRIER      | MODULATION |                              | ANT INPUT |
|------|--------------|------------|------------------------------|-----------|
|      |              | FREQUENCY  | DEVIATION                    |           |
| FM   | 98MHz        | 1kHz       | STEREO 67.5kHz 7.5kHz(Pilot) | 60dB      |
| AM   | 1000(999)kHz | 400Hz      | MONO 30% MOD                 | 60dB      |



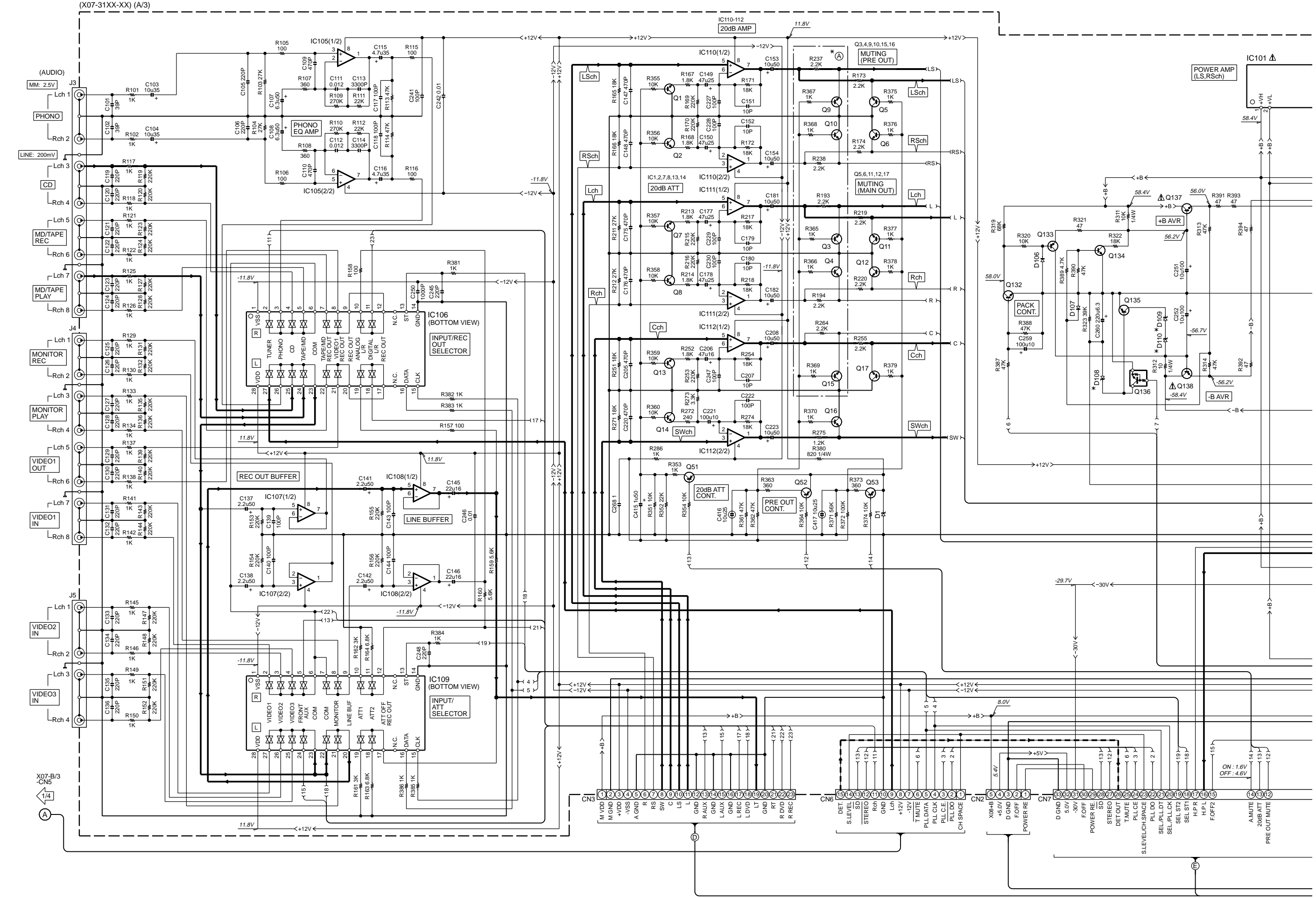
KRF-V7030D/V8030D/VR-407/409

Y05-4010-10

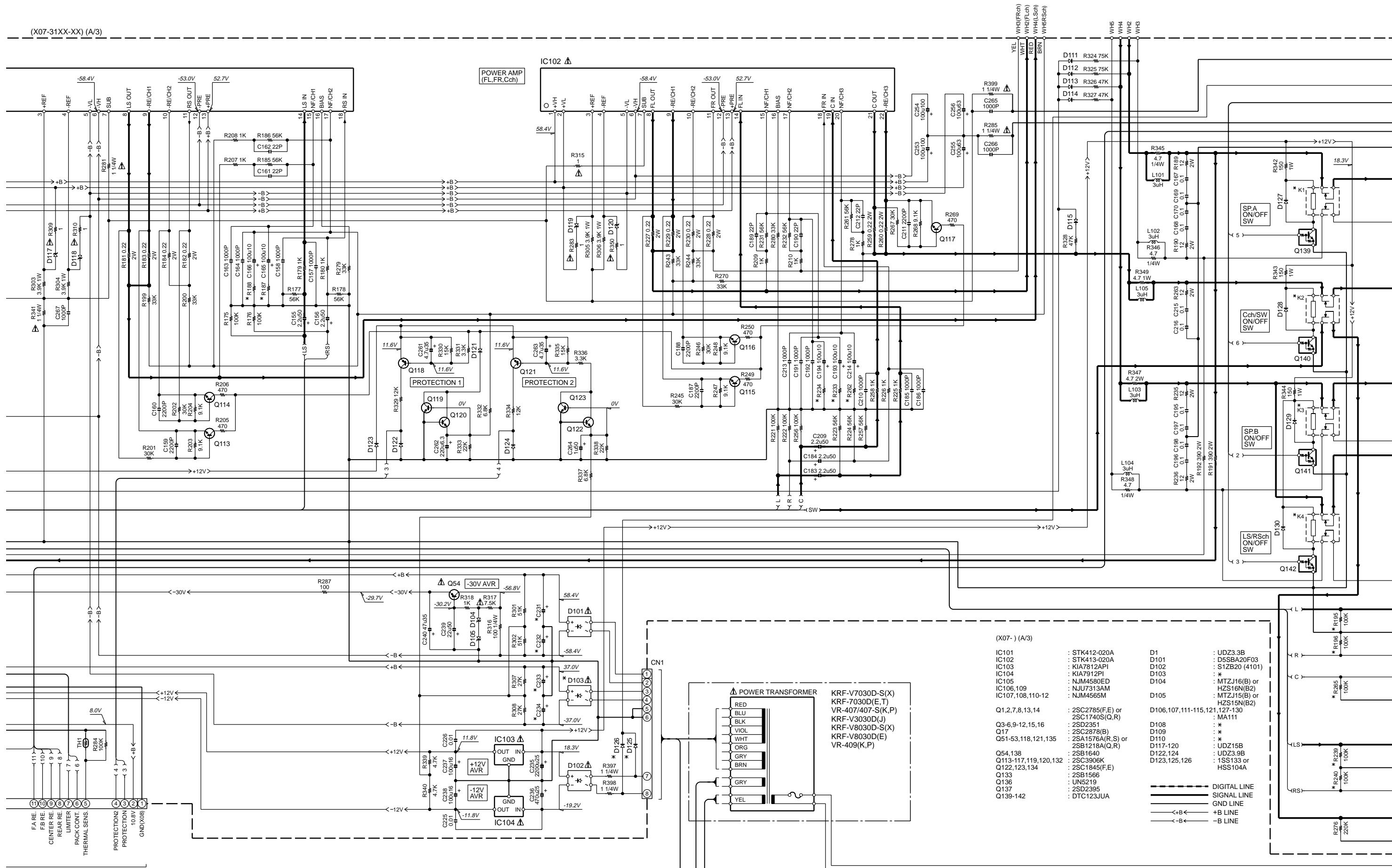
KENWOOD

VR-407/407-S/409 (1/4)  
KRF-7030D/7030D-S (1/4)  
KRF-D8030D/8030D-S (1/4)



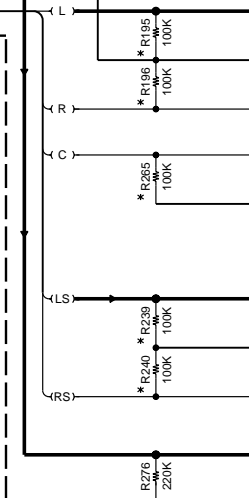
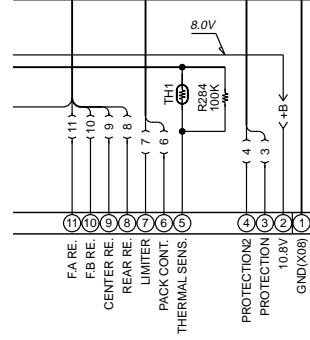
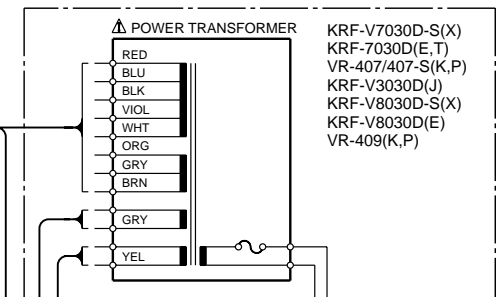
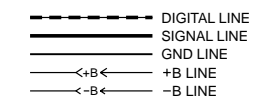


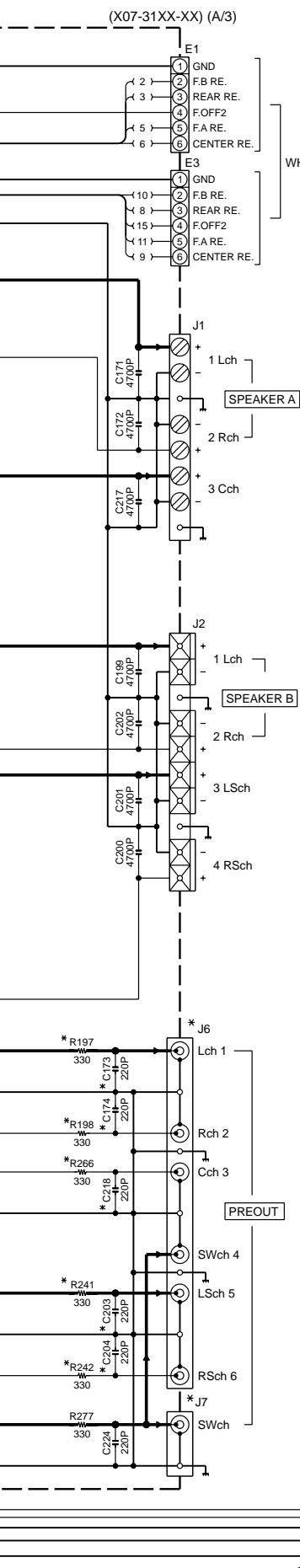
(X07-31XX-XX) (A/3)



(X07- ) (A/3)

- |                      |                                  |                              |                           |
|----------------------|----------------------------------|------------------------------|---------------------------|
| IC101                | : STK412-020A                    | D1                           | : UDZ3.3B                 |
| IC102                | : STK413-020A                    | D101                         | : D5SBA20F03              |
| IC103                | : KIA7812API                     | D102                         | : S1ZB20 (4101)           |
| IC104                | : KIA7912PI                      | D103                         | : *                       |
| IC105                | : NJM4580ED                      | D104                         | : MTZJ16(B) or HZS16N(B2) |
| IC106,109            | : NJU7313AM                      | D105                         | : MTZJ15(B) or HZS15N(B2) |
| IC107,108,110-12     | : NJM4565M                       | D106,107,111-115,121,127-130 | : MA111                   |
| Q1,2,7,8,13,14       | : 2SC2785(F,E) or 2SC1740S(Q,R)  | D108                         | : *                       |
| Q3-6,9-12,15,16      | : 2SD2351                        | D109                         | : *                       |
| Q17                  | : 2SC2978(B)                     | D110                         | : *                       |
| Q51-53,118,121,135   | : 2SA1576A(R,S) or 2SB1218A(Q,R) | D117-120                     | : UDZ15B                  |
| Q54,138              | : 2SB1640                        | D122,124                     | : UDZ3.9B                 |
| Q113-117,119,120,132 | : 2SC3906K                       | D123,125,126                 | : 1SS133 or HSS104A       |
| Q122,123,134         | : 2SC1845(F,E)                   |                              |                           |
| Q133                 | : 2SB1566                        |                              |                           |
| Q136                 | : UN5219                         |                              |                           |
| Q137                 | : 2SD2395                        |                              |                           |
| Q139-142             | : DTC123JUA                      |                              |                           |





(X07-) (A/3)

VR-409 (X07-3120-11)

| DESTINATION | COUNTRY | ABB. | UNIT No. | (A) | C173, 174, 203,204,218 | C231, 232 | C233, 234 | D103       | D108    | D109   | D110   | D125, 126 | J6 | J7  | K1-4     | R187, 188, 233, 234, 262 | R195-198, 239-242, 265, 266 |
|-------------|---------|------|----------|-----|------------------------|-----------|-----------|------------|---------|--------|--------|-----------|----|-----|----------|--------------------------|-----------------------------|
| U.S.A.      | K       |      | 0-11     | NO  | NO                     | 4700u75   | 3300u42   | D5SBA20F03 | UDZ8.2B | UDZ15B | UDZ16B | NO        | NO | YES | S76-0042 | 1.8K                     | NO                          |
| CANADA      | P       |      |          |     |                        |           |           |            |         |        |        |           |    |     |          |                          |                             |

KRF-V8030D (X07-312X-XX)

| DESTINATION | COUNTRY | ABB. | UNIT No. | (A) | C173, 174, 203,204,218 | C231, 232 | C233, 234 | D103       | D108    | D109   | D110   | D125, 126 | J6  | J7  | K1-4     | R187, 188, 233, 234, 262 | R195-198, 239-242, 265, 266, 307, 308 |
|-------------|---------|------|----------|-----|------------------------|-----------|-----------|------------|---------|--------|--------|-----------|-----|-----|----------|--------------------------|---------------------------------------|
| PX          | Y       |      | 2-91     | YES | YES                    | 4700u75   | 3300u42   | D5SBA20F03 | UDZ8.2B | UDZ15B | UDZ16B | YES       | YES | NO  | S76-0097 | 1.8K                     | YES                                   |
| EUROPE      | E       |      | 2-71     | YES | YES                    | 4700u63   | 3300u35   | RBV-602LFA | UDZ6.2B | UDZ10B | UDZ13B | NO        | NO  | YES | S76-0097 | 2.4K                     | YES                                   |

KRF-V8030D-S (X07-312X-XX)

| DESTINATION    | COUNTRY | ABB. | UNIT No. | (A) | C173, 174, 203,204,218 | C231, 232 | C233, 234 | D103       | D108    | D109   | D110   | D125, 126 | J6  | J7  | K1-4     | R187, 188, 233, 234, 262 | R195-198, 239-242, 265, 266, 307, 308 |
|----------------|---------|------|----------|-----|------------------------|-----------|-----------|------------|---------|--------|--------|-----------|-----|-----|----------|--------------------------|---------------------------------------|
| GENERAL MARKET | M       |      | 0-21     | YES | YES                    | 4700u75   | 3300u42   | RBV-602LFA | UDZ8.2B | UDZ15B | UDZ16B | YES       | YES | NO  | S76-0097 | 1.8K                     | YES                                   |
| MALAYSIA       | I       |      |          |     |                        |           |           |            |         |        |        |           |     |     |          |                          |                                       |
| AUSTRALIA      | X       |      | 0-71     | NO  | NO                     |           |           | D5SBA20F03 |         |        |        | NO        | NO  | YES | S76-0042 | 1.8K                     | NO                                    |

VR-407 (X07-3130-10)

| DESTINATION | COUNTRY | ABB. | UNIT No. | (A) | C173, 174, 203,204,218 | C231, 232 | C233, 234 | D103       | D108    | D109   | D110   | D125, 126 | J6 | J7  | K1-4     | R187, 188, 233, 234, 262 | R195-198, 239-242, 265, 266 |
|-------------|---------|------|----------|-----|------------------------|-----------|-----------|------------|---------|--------|--------|-----------|----|-----|----------|--------------------------|-----------------------------|
| U.S.A.      | K       |      | 0-10     | NO  | NO                     | 4700u75   | 3300u42   | D5SBA20F03 | UDZ8.2B | UDZ15B | UDZ16B | NO        | NO | YES | S76-0042 | 1.8K                     | NO                          |
| CANADA      | P       |      |          |     |                        |           |           |            |         |        |        |           |    |     |          |                          |                             |

VR-407-S (X07-3130-10)

| DESTINATION | COUNTRY | ABB. | UNIT No. | (A) | C173, 174, 203,204,218 | C231, 232 | C233, 234 | D103       | D108    | D109   | D110   | D125, 126 | J6, J7 | K1-4 | R187, 188, 233, 234, 262 | R195-198, 239-242, 265, 266 |    |
|-------------|---------|------|----------|-----|------------------------|-----------|-----------|------------|---------|--------|--------|-----------|--------|------|--------------------------|-----------------------------|----|
| U.S.A.      | K1      |      | 0-10     | NO  | NO                     | 4700u75   | 3300u42   | D5SBA20F03 | UDZ8.2B | UDZ15B | UDZ16B | NO        | NO     | YES  | S76-0042                 | 1.8K                        | NO |

KRF-V7030D (X07-313X-XX)

| DESTINATION | COUNTRY | ABB. | UNIT No. | (A) | C173, 174, 203,204,218 | C231, 232 | C233, 234 | D103       | D108    | D109   | D110   | D125, 126 | J6 | J7  | K1-4     | R187, 188, 233, 234, 262 | R195-198, 239-242, 265, 266 |
|-------------|---------|------|----------|-----|------------------------|-----------|-----------|------------|---------|--------|--------|-----------|----|-----|----------|--------------------------|-----------------------------|
| PX          | Y       |      | 2-91     | YES | NO                     | 4700u75   | 3300u42   | D5SBA20F03 | UDZ8.2B | UDZ15B | UDZ16B | YES       | NO | YES | S76-0097 | 1.8K                     | NO                          |
| EUROPE      | E1      |      | 2-71     | NO  | NO                     | 4700u63   | 3300u35   | RBV-602LFA | UDZ6.2B | UDZ10B | UDZ13B | NO        | NO | YES | S76-0097 | 2.4K                     | NO                          |
| U.K.        | T       |      | 0-51     | NO  | NO                     |           |           |            |         |        |        |           |    | YES | S76-0097 | 2.4K                     | NO                          |

KRF-V7030D-S (X07-313X-XX)

| DESTINATION    | COUNTRY | ABB. | UNIT No. | (A) | C173, 174, 203,204,218 | C231, 232 | C233, 234 | D103       | D108    | D109   | D110   | D125, 126 | J6 | J7  | K1-4     | R187, 188, 233, 234, 262 | R195-198, 239-242, 265, 266 |
|----------------|---------|------|----------|-----|------------------------|-----------|-----------|------------|---------|--------|--------|-----------|----|-----|----------|--------------------------|-----------------------------|
| GENERAL MARKET | M       |      | 0-21     | NO  | NO                     | 4700u75   | 3300u42   | RBV-602LFA | UDZ8.2B | UDZ15B | UDZ16B | YES       | NO | YES | S76-0097 | 1.8K                     | NO                          |
| MALAYSIA       | I       |      |          |     |                        |           |           |            |         |        |        |           |    |     |          |                          |                             |
| AUSTRALIA      | X       |      | 0-71     | NO  | NO                     |           |           | D5SBA20F03 |         |        |        | NO        | NO | YES | S76-0042 | 1.8K                     | NO                          |

(X07-) (C/3)

VR-409 (X07-3120-11)

| DESTINATION | COUNTRY | ABB. | UNIT No. | C605 | C606 | CN62 | CN63, 64, 68, 69 | D608             | F1          | F2 | IC601 | IC602 | J61      | K601     | P61 | R602     | R604    | R609    | R610 | T1                   | W23, 75, 250 | W63, 251 |  |
|-------------|---------|------|----------|------|------|------|------------------|------------------|-------------|----|-------|-------|----------|----------|-----|----------|---------|---------|------|----------------------|--------------|----------|--|
| U.S.A.      | K       |      | 0-11     | NO   | 0.1  | YES  | NO               | 1S133 or HSS104A | F50-0077 8A | NO | YES   | NO    | E03-0148 | S76-0099 | YES | 30K 1/4W | 10 1/4W | 27 1/4W | YES  | L07-2758 or L07-2761 | YES          | NO       |  |
| CANADA      | P       |      |          |      |      |      |                  |                  |             |    |       |       |          |          |     |          |         |         |      |                      |              |          |  |

KRF-V8030D (X07-312X-XX)

| DESTINATION | COUNTRY | ABB. | UNIT No. | C605 | C606  | CN63 | CN64 | CN62, 68, 69 | D608 | F1     | F2               | IC601 | IC602 | J61      | K601     | P61 | R602     | R604    | R609     | R610 | T1                   | W23 | W63, 250, 251 | W75 |
|-------------|---------|------|----------|------|-------|------|------|--------------|------|--------|------------------|-------|-------|----------|----------|-----|----------|---------|----------|------|----------------------|-----|---------------|-----|
| PX          | Y       |      | 2-91     | YES  | 0.068 | YES  | YES  | NO           | NO   | RB721Q | F05-3121 T3.15AL | NO    | NO    | E03-0148 | S76-0107 | YES | 30K 1/4W | 10 1/4W | 27 1/4W  | YES  | L07-2805             | NO  | YES           | NO  |
| EUROPE      | E       |      | 2-71     | NO   | 0.1   | NO   | NO   | YES          | NO   | RB721Q | F05-2525 T2.5AL  | NO    | YES   | E03-0149 | S76-0107 | NO  | 20K 1/4W | NO      | 2.2 1/4W | NO   | L07-2758 or L07-2761 | NO  | NO            | YES |

KRF-V8030D-S (X07-312X-XX)

| DESTINATION    | COUNTRY | ABB. | UNIT No. | C605 | C606  | CN63 | CN64 | CN68, 69 | D608 | F1     | F2               | IC601 | IC602 | J61      | K601     | P61 | R602      | R604    | R609     | R610 | T1                   | W23 | W63, 250, 251 | W75 | W250 |
|----------------|---------|------|----------|------|-------|------|------|----------|------|--------|------------------|-------|-------|----------|----------|-----|-----------|---------|----------|------|----------------------|-----|---------------|-----|------|
| GENERAL MARKET | M       |      | 0-21     | YES  | 0.068 | NO   | YES  | NO       | NO   | RB721Q | F05-3121 T3.15AL | NO    | NO    | E03-0149 | S76-0107 | NO  | 20K 1/4W  | NO      | 2.2 1/4W | NO   | L07-2805             | NO  | YES           | NO  | YES  |
| MALAYSIA       | I       |      |          |      |       |      |      |          |      |        |                  |       |       |          |          |     |           |         |          |      |                      |     |               |     |      |
| AUSTRALIA      | X       |      | 0-71     | NO   | 0.1   | YES  | NO   | NO       | NO   | RB721Q | F05-3121 T3.15AL | NO    | NO    | E03-0325 | S76-0107 | NO  | 180K 1/4W | 39 1/4W | 180 1/4W | NO   | L07-2758 or L07-2761 | NO  | YES           | NO  | YES  |

VR-407 (X07-3130-10)

| DESTINATION | COUNTRY | ABB. | UNIT No. | C605 | C606 | CN62 | CN63, 64, 68, 69 | D608             | F1          | F2 | IC601 | IC602 | J61      | K601     | P61 | R602     | R604    | R609    | R610 | T1                   | W23, 75, 250 | W63, 251 |  |
|-------------|---------|------|----------|------|------|------|------------------|------------------|-------------|----|-------|-------|----------|----------|-----|----------|---------|---------|------|----------------------|--------------|----------|--|
| U.S.A.      | K       |      | 0-10     | NO   | 0.1  | YES  | NO               | 1S133 or HSS104A | F50-0077 8A | NO | YES   | NO    | E03-0148 | S76-0099 | YES | 30K 1/4W | 10 1/4W | 27 1/4W | YES  | L07-2758 or L07-2761 | YES          | NO       |  |
| CANADA      | P       |      |          |      |      |      |                  |                  |             |    |       |       |          |          |     |          |         |         |      |                      |              |          |  |

VR-407-S (X07-3130-10)

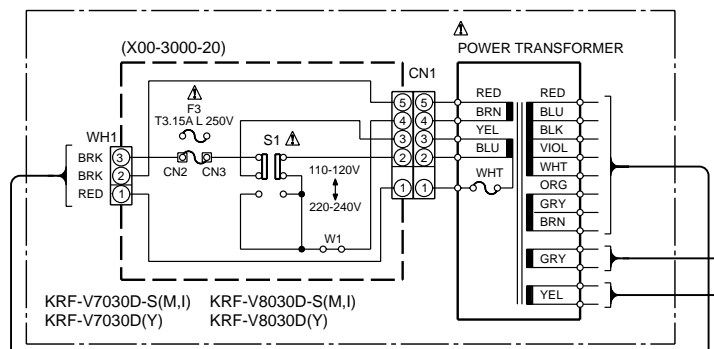
| DESTINATION | COUNTRY | ABB. | UNIT No. | C605 | C606 | CN62 | CN63, 64, 68, 69 | D608             | F1          | F2 | IC601 | IC602 | J61      | K601     | P61 | R602     | R604    | R609    | R610 | T1                   | W23, 75, 250 | W63, 251 |
|-------------|---------|------|----------|------|------|------|------------------|------------------|-------------|----|-------|-------|----------|----------|-----|----------|---------|---------|------|----------------------|--------------|----------|
| U.S.A.      | K1      |      | 0-10     | NO   | 0.1  | YES  | NO               | 1S133 or HSS104A | F50-0077 8A | NO | YES   | NO    | E03-0148 | S76-0099 | YES | 30K 1/4W | 10 1/4W | 27 1/4W | YES  | L07-2758 or L07-2761 | YES          | NO       |

KRF-V7030D (X07-313X-XX)

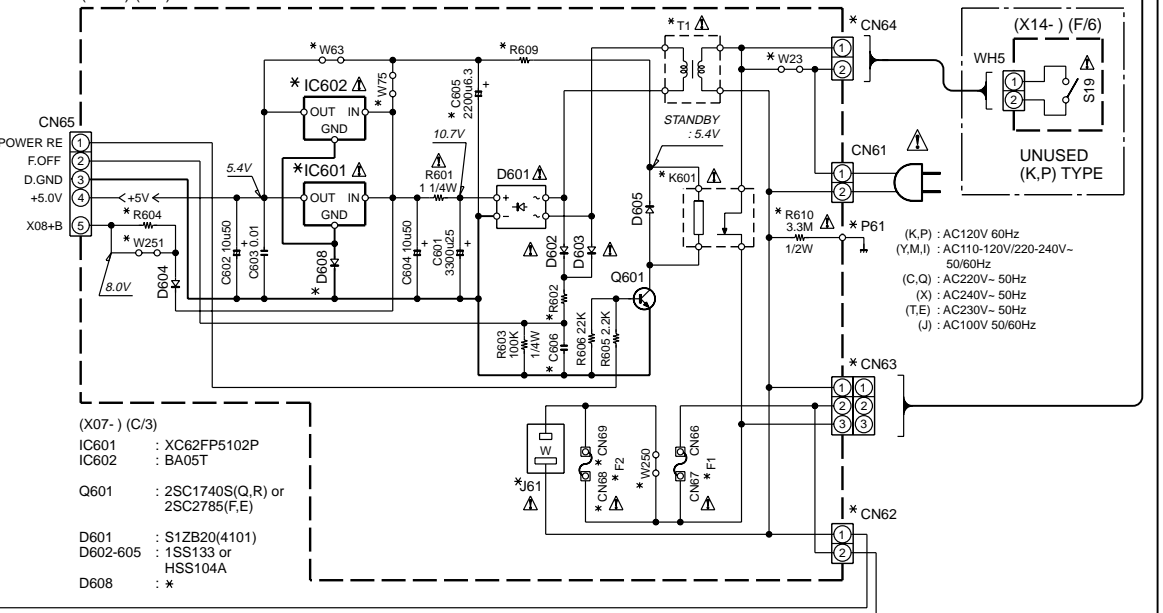
| DESTINATION | COUNTRY | ABB. | UNIT No. | C605 | C606  | CN62 | CN63 | CN64 | CN68, 69 | D608 | F1 | F2 | IC601 | IC602    | J61      | K601 | P61       | R602    | R604     | R609 | R610                 | T1 | W23 | W63, 251 | W75 | W250 |
|-------------|---------|------|----------|------|-------|------|------|------|----------|------|----|----|-------|----------|----------|------|-----------|---------|----------|------|----------------------|----|-----|----------|-----|------|
| PX          | Y       |      | 2-91     | YES  | 0.068 | NO   | YES  | NO   | NO       | NO   | NO | NO | NO    | E03-0148 | S76-0107 | YES  | 30K 1/4W  | 10 1/4W | 27 1/4W  | YES  | L07-2805             | NO | YES | NO       | YES |      |
| EUROPE      | E1      |      | 2-71     | NO   | 0.1   | YES  | NO   | YES  | NO       | NO   | NO | NO | YES   | E03-0149 | S76-0107 | NO   | 20K 1/4W  | NO      | 2.2 1/4W | NO   | L07-2805             | NO | YES | NO       | YES |      |
| U.K.        | T       |      | 0-51     | NO   | 0.1   | YES  | NO   | YES  | NO       | NO   | NO | NO | YES   | E03-0310 | S76-0107 | NO   | 150K 1/4W | 39 1/4W | 150 1/4W | NO   | L07-2758 or L07-2761 | NO | NO  | YES      | NO  |      |

KRF-V7030D-S (X07-313X-XX)

| DESTINATION    | COUNTRY | ABB. | UNIT No. | C605 | C606  | CN62 | CN63 | CN64 | CN68, 69 | D608 | F1 | F2 | IC601 | IC602    | J61      | K601 | P61       | R602    | R604     | R609 | R610                 | T1 | W23 | W63, 251 | W75 | W250 |
|----------------|---------|------|----------|------|-------|------|------|------|----------|------|----|----|-------|----------|----------|------|-----------|---------|----------|------|----------------------|----|-----|----------|-----|------|
| GENERAL MARKET | M       |      | 0-21     | YES  | 0.068 | NO   | YES  | YES  | NO       | NO   | NO | NO | YES   | E03-0149 | S76-0107 | NO   | 20K 1/4W  | NO      | 2.2 1/4W | NO   | L07-2805             | NO | YES | NO       | YES |      |
| MALAYSIA       | I       |      |          |      |       |      |      |      |          |      |    |    |       |          |          |      |           |         |          |      |                      |    |     |          |     |      |
| AUSTRALIA      | X       |      | 0-71     | NO   | 0.1   | YES  | NO   | NO   | NO       | NO   | NO | NO | YES   | E03-0325 | S76-0107 | NO   | 180K 1/4W | 39 1/4W | 180 1/4W | NO   | L07-2758 or L07-2761 | NO | YES | NO       | YES |      |



(X07-) (C/3)



(X07-) (C/3)

- IC601 : XC62FP5102P
- IC602 : BA05T
- Q601 : 2SC1740S(Q,R) or 2SC2785(F,E)
- D601 : S1ZB20(4101)
- D602-605 : 1S133 or HSS104A
- D608 : \*

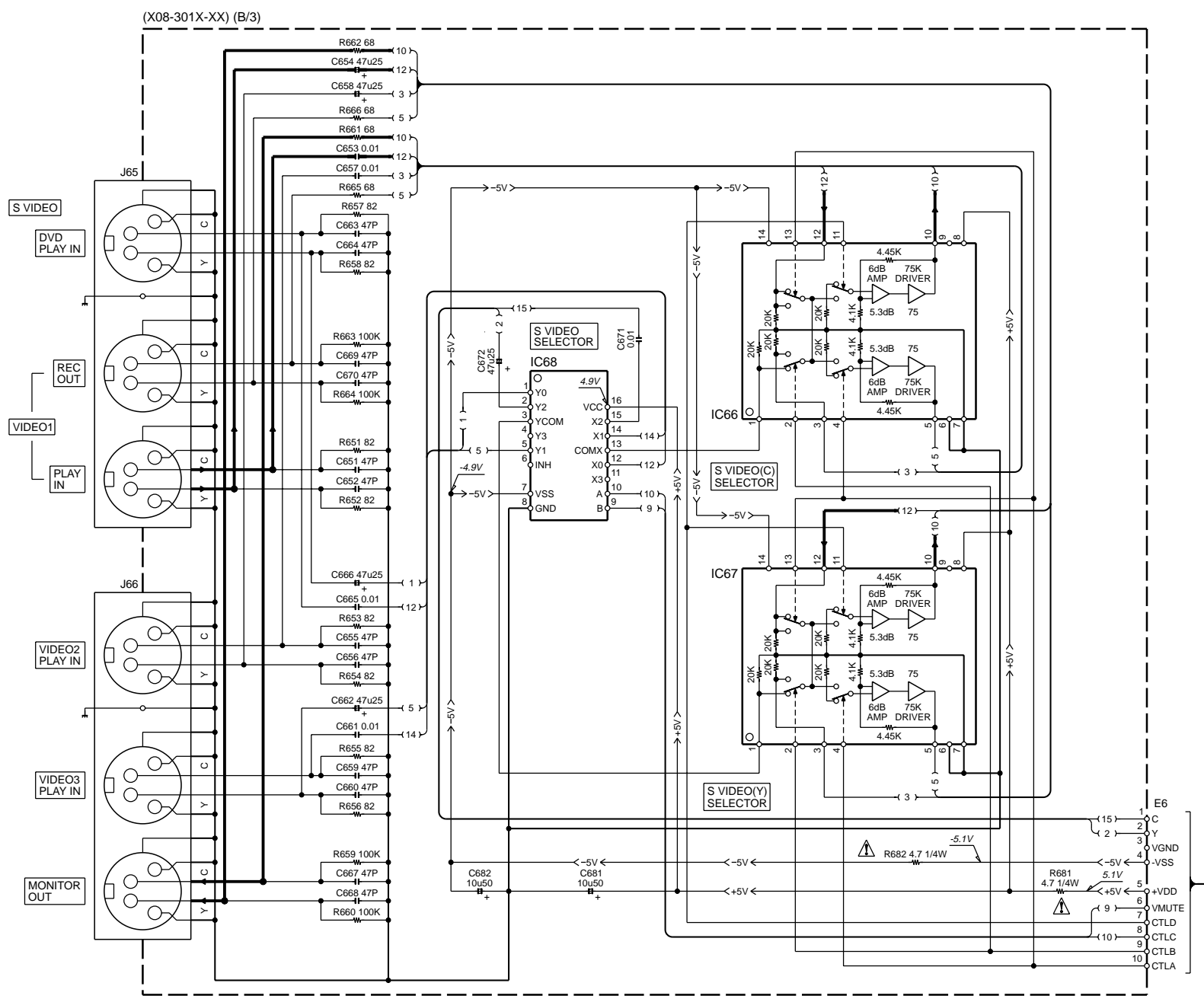
**CAUTION:** For continued safety, replace safety critical components only with manufacturer's recommended parts (refer to parts list).  $\Delta$  indicates safety critical components. For continued protection against risk of fire, replace only with same type and rating fuse(s). To reduce the risk of electric shock, leakage-current or resistance measurements shall be carried out (exposed parts are acceptably insulated from the supply circuit) before the appliance is returned to the customer.

The DC voltage is an actual reading measured with a high impedance type voltmeter with a cassette loaded at playback mode. The measurement value may vary depending on the measuring instruments used or on the product. Bias circuit DC voltage is measured while in the record mode.

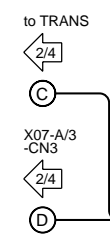
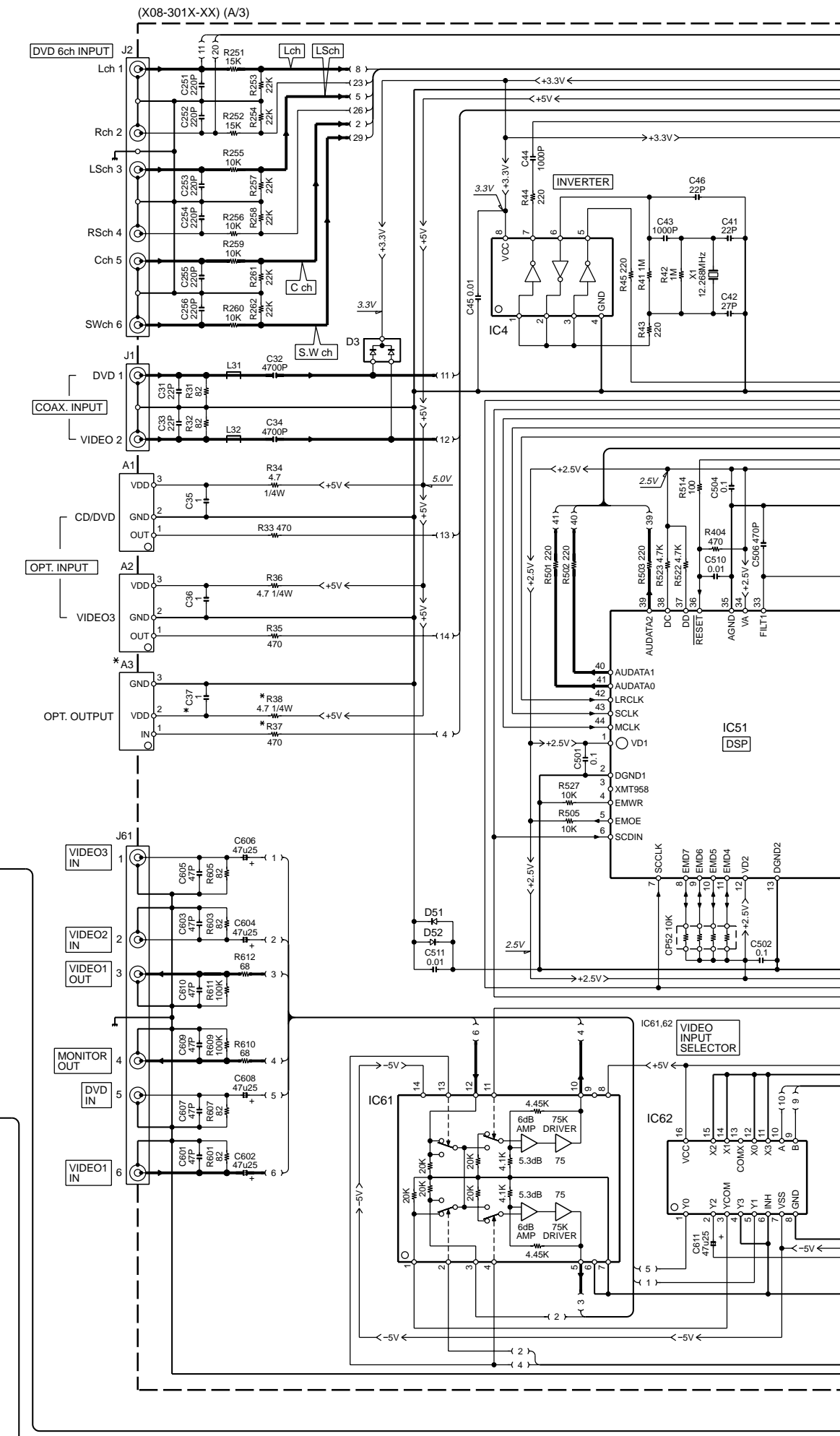
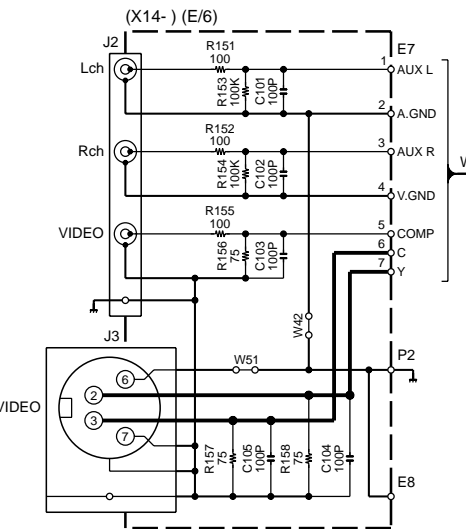
DOLBY and the double-D symbol are trademarks of Dolby Laboratories Licensing Corporation. Noise reduction circuit made under license from Dolby Laboratories Licensing Corporation.

VR-407/407-S/409 (2/4)  
 KRF-V7030D/V7030D-S (2/4)  
 KRF-V8030D/V8030D-S (2/4)

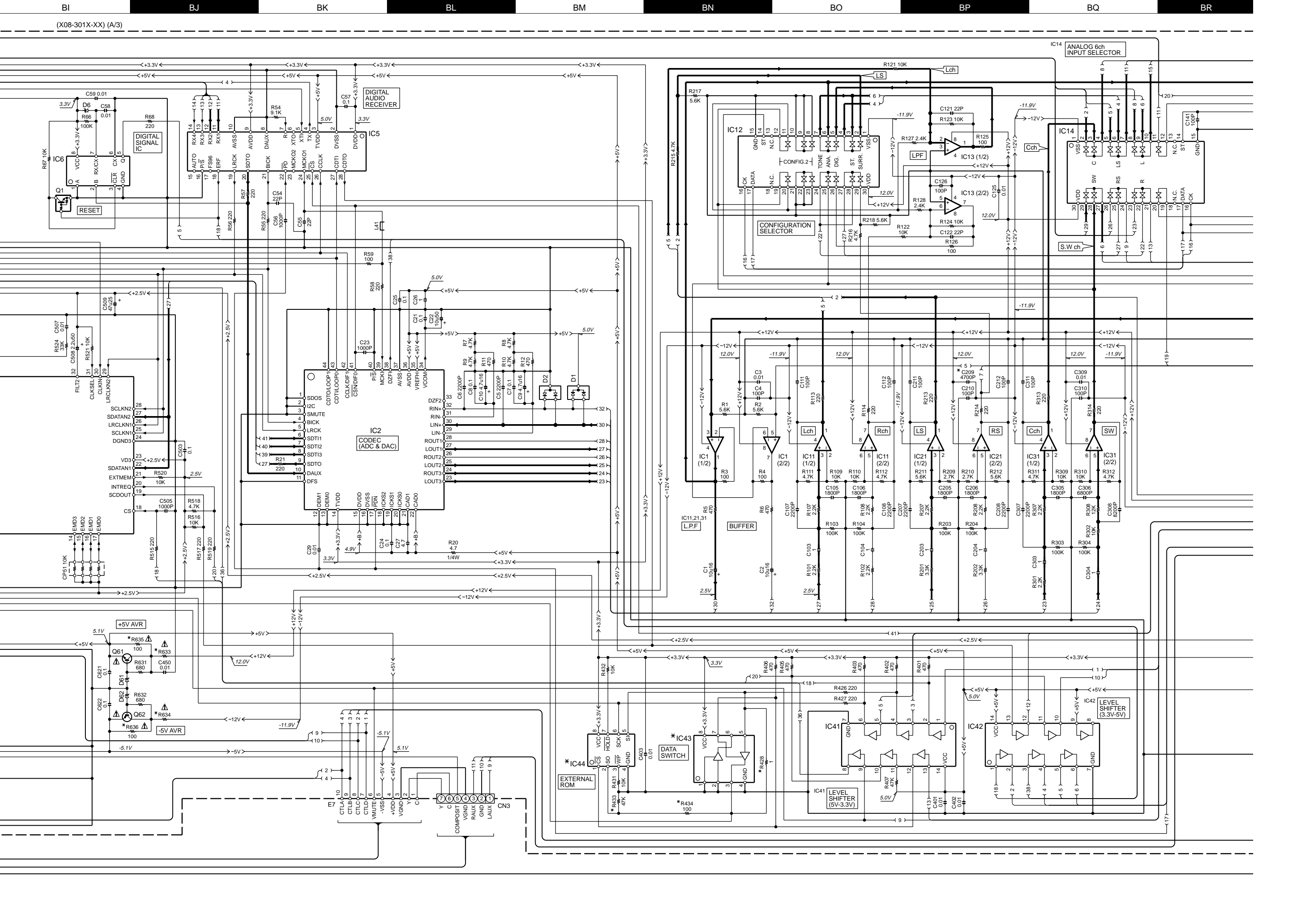
**KRF-V7030D/V8030D/VR-407/409**

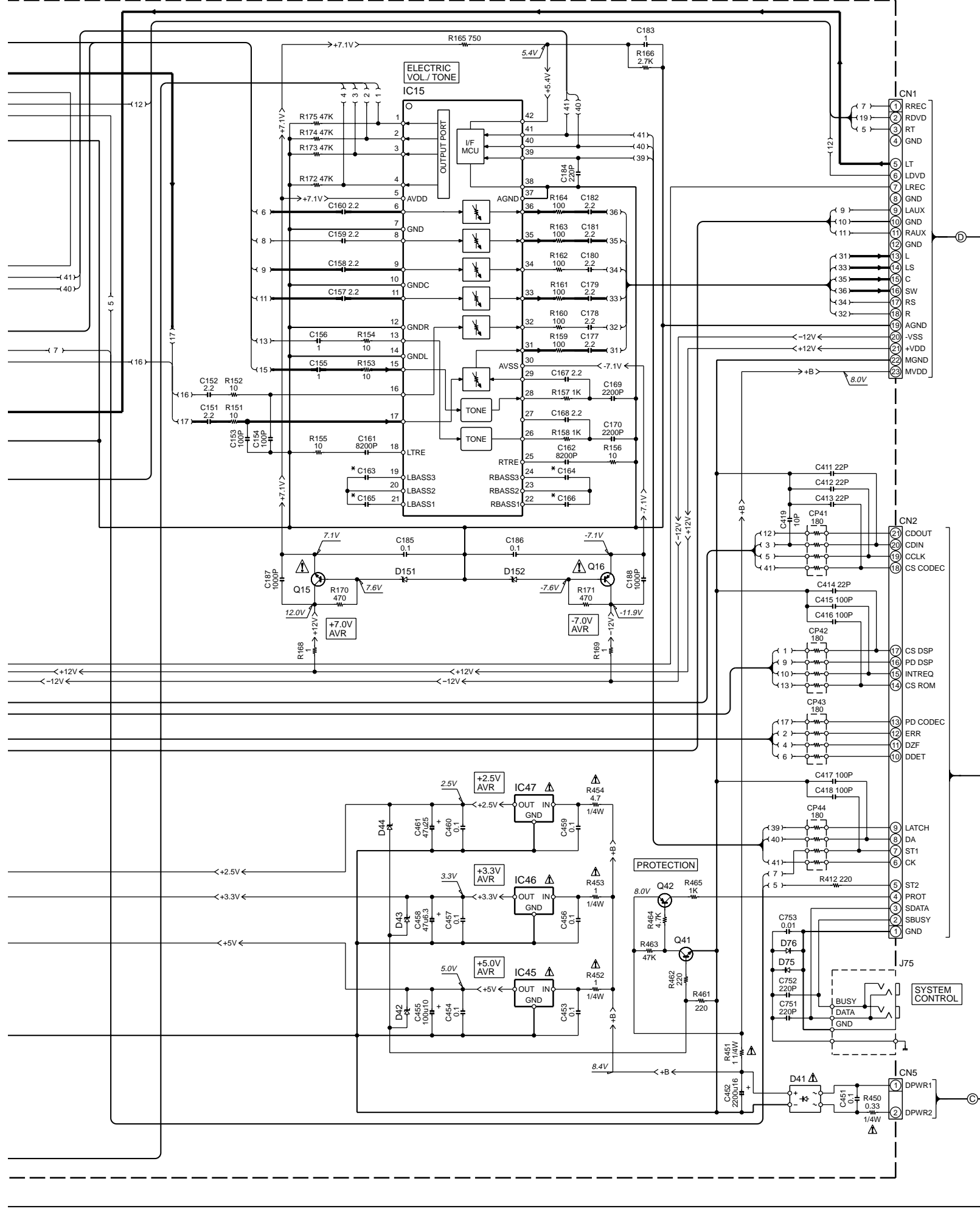


IC66,67 : NJM2279M  
 IC68 : TC74HC4052AFT or NJU4052BV



X07-A/3 -CN3





VR-407 (X08-3010-12)

| DESTINATION | UNIT | IC43, 44 | R428 | R37,38,433, 434,635,636 | R633,634 | C37    | C163, 164 | C165, 166 | C209 | A3  |    |
|-------------|------|----------|------|-------------------------|----------|--------|-----------|-----------|------|-----|----|
| U.S.A.      | K    | 0-12     | NO   | YES                     | NO       | 100 1W | NO        | 0.015     | 0.33 | YES | NO |
| CANADA      | P    | 0-12     | NO   | YES                     | NO       | 100 1W | NO        | 0.015     | 0.33 | YES | NO |

KRF-V7030D-S (X08-301X-XX)

| DESTINATION    | UNIT | IC43, 44 | R428 | R37,38, 433,434 | R633,634 | R635,636 | C37 | C163, 164 | C165, 166 | C209 | A3  |
|----------------|------|----------|------|-----------------|----------|----------|-----|-----------|-----------|------|-----|
| GENERAL MARKET | M    | 0-22     | NO   | YES             | NO       | 47 1W    | YES | NO        | 0.033     | 0.47 | NO  |
| MALAYSIA       | I    | 0-12     | NO   | YES             | NO       | 100 1W   | NO  | NO        | 0.015     | 0.33 | YES |
| AUSTRALIA      | X    | 0-12     | NO   | YES             | NO       | 100 1W   | NO  | NO        | 0.015     | 0.33 | YES |

KRF-V7030D (X08-3010-12)

| DESTINATION | UNIT | IC43, 44 | R428 | R37,38,433, 434,635,636 | R633,634 | C37    | C163, 164 | C165, 166 | C209 | A3  |    |
|-------------|------|----------|------|-------------------------|----------|--------|-----------|-----------|------|-----|----|
| U.S.A.      | K    | 0-12     | NO   | YES                     | NO       | 100 1W | NO        | 0.015     | 0.33 | YES | NO |
| U.K.        | T    | 0-12     | NO   | YES                     | NO       | 100 1W | NO        | 0.015     | 0.33 | YES | NO |
| EUROPE      | E1   | 0-12     | NO   | YES                     | NO       | 100 1W | NO        | 0.015     | 0.33 | YES | NO |

VR-407-S (X08-3010-12)

| DESTINATION | UNIT | IC43, 44 | R428 | R37,38,433, 434,635,636 | R633,634 | C37    | C163, 164 | C165, 166 | C209 | A3  |    |
|-------------|------|----------|------|-------------------------|----------|--------|-----------|-----------|------|-----|----|
| U.S.A.      | K1   | 0-12     | NO   | YES                     | NO       | 100 1W | NO        | 0.015     | 0.33 | YES | NO |

VR-409 (X08-3010-13)

| DESTINATION | UNIT | IC43, 44 | R37,38, 433,434 | R428, 635,636 | R633,634 | C37    | C163, 164 | C165, 166 | C209 | A3  |     |
|-------------|------|----------|-----------------|---------------|----------|--------|-----------|-----------|------|-----|-----|
| U.S.A.      | K    | 0-13     | YES             | YES           | NO       | 100 1W | YES       | 0.015     | 0.33 | YES | YES |
| CANADA      | P    | 0-13     | YES             | YES           | NO       | 100 1W | YES       | 0.015     | 0.33 | YES | YES |

KRF-V8030D (X08-3010-13)

| DESTINATION | UNIT | IC43, 44 | R37,38, 433,434 | R428, 635,636 | R633,634 | C37    | C163, 164 | C165, 166 | C209 | A3  |     |
|-------------|------|----------|-----------------|---------------|----------|--------|-----------|-----------|------|-----|-----|
| U.S.A.      | Y    | 0-13     | YES             | YES           | NO       | 100 1W | YES       | 0.015     | 0.33 | YES | YES |
| EUROPE      | E    | 0-13     | YES             | YES           | NO       | 100 1W | YES       | 0.015     | 0.33 | YES | YES |

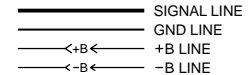
KRF-V8030D-S (X08-301X-XX)

| DESTINATION    | UNIT | IC43, 44 | R37,38, 433,434 | R428 | R633,634 | R635,636 | C37 | C163, 164 | C165, 166 | C209 | A3  |
|----------------|------|----------|-----------------|------|----------|----------|-----|-----------|-----------|------|-----|
| GENERAL MARKET | M    | 0-23     | YES             | YES  | NO       | 47 1W    | YES | NO        | 0.033     | 0.47 | NO  |
| MALAYSIA       | I    | 0-13     | YES             | YES  | NO       | 100 1W   | NO  | NO        | 0.015     | 0.33 | YES |
| AUSTRALIA      | X    | 0-13     | YES             | YES  | NO       | 100 1W   | NO  | NO        | 0.015     | 0.33 | YES |

IC1,11,13,21,31

- Q1 : NJM4565MD
- IC2 : AK4527-VQ
- IC4 : TC7WU04FU
- IC5 : AK4110-VF
- IC6 : TC7WH123FU
- IC12,14 : NJM7311AM
- IC15 : M62446FP
- IC41 : TC74HC07AF
- IC42 : TC74HCT7007AF
- IC43 : TC7WH126FU
- IC44 : AT25256WS2701
- IC45 : TA48M05F
- IC46 : TA48M033F
- IC47 : TA48M025F
- IC51 : CS493263-CLR
- IC61 : NJM2279M
- IC62 : TC74HC4052AFT or NJU4052BV

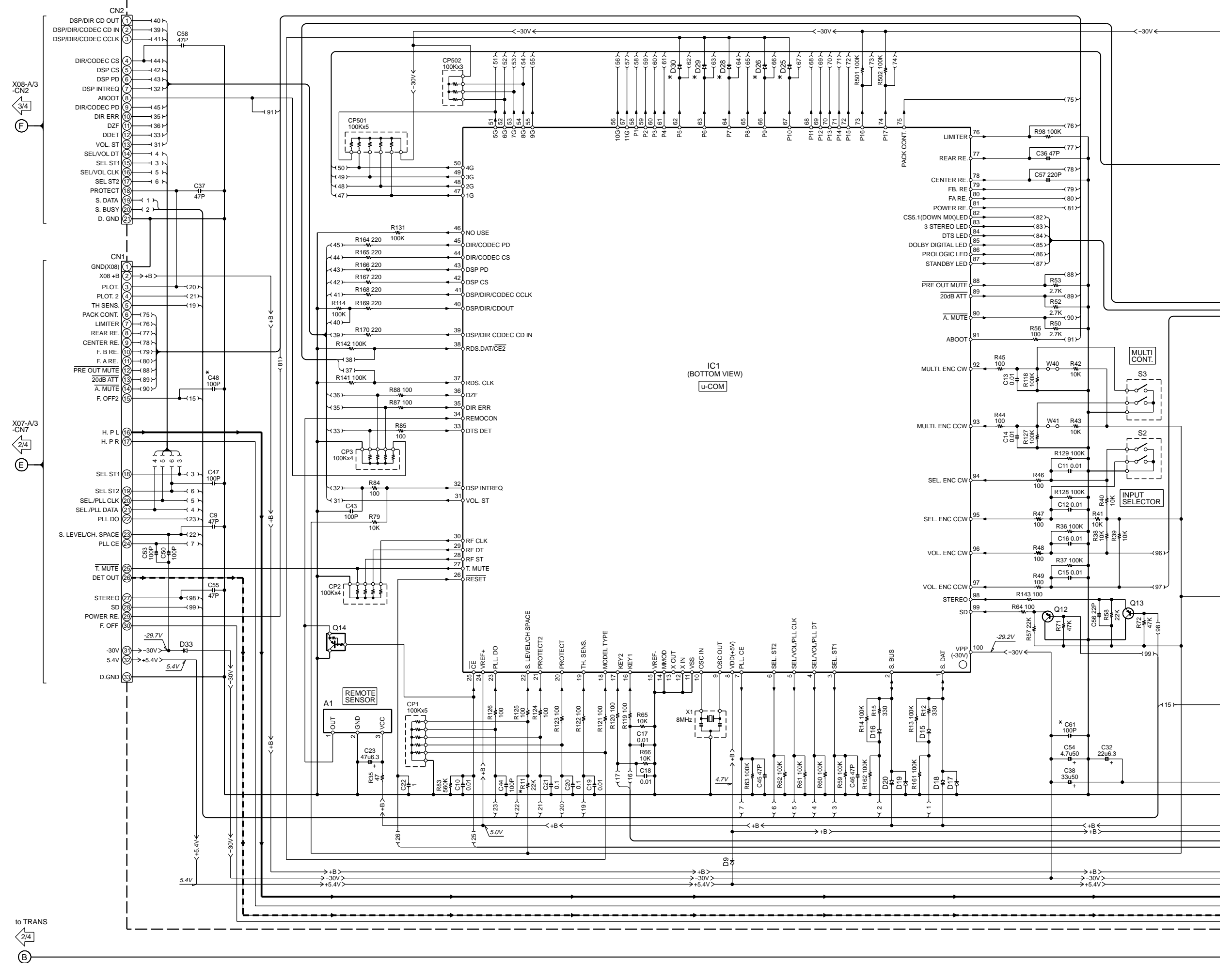
- Q15,61 : DTC124EUA or UN5212
- Q16,62 : 2SD1664(Q,R) or 2SD1963(R,S)-G
- Q41 : 2SB1132(Q,R) or 2SB1308(Q,R)-G
- Q42 : 2SC4081(R,S) or 2SD1819A(Q,R) or 2SA1576A(R,S) or 2SB1218A(Q,R)
- D1,3 : 1SS301 or DAN202U or MA142WK
- D2 : 1SS300 or DAP202U or MA142WA
- D6,51,52,75,76 : MA111
- D41 : S1ZB20(4072)
- D42,43,61,62 : UDZ5.6B
- D44 : UDZ3.9B
- D151,152 : UDZ7.5B



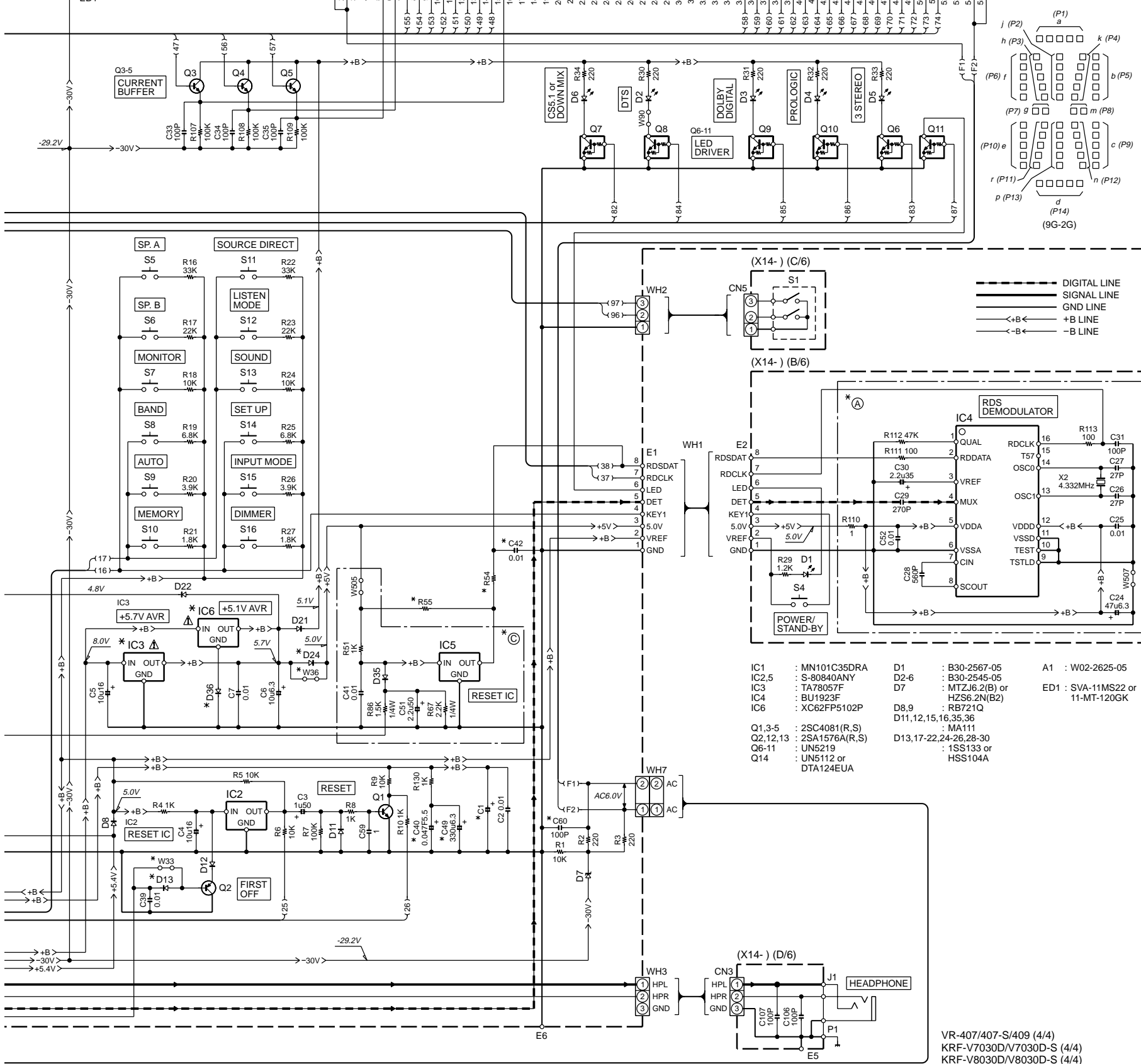
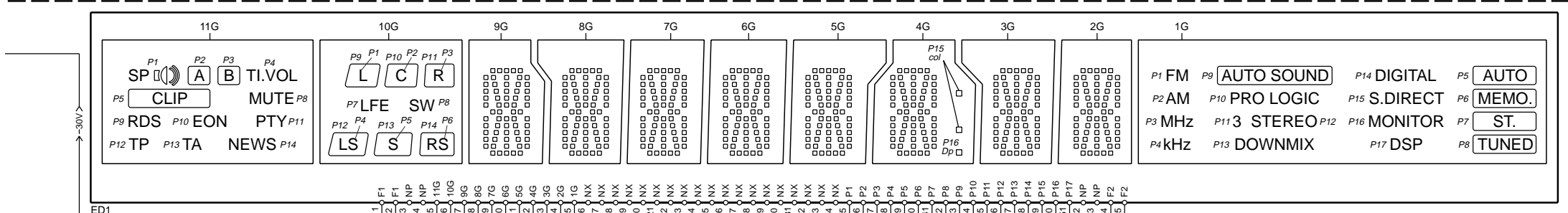
**CAUTION:** For continued safety, replace safety critical components only with manufacturer's recommended parts (refer to parts list).  $\Delta$  indicates safety critical components. For continued protection against risk of fire, replace only with same type and rating fuse(s). To reduce the risk of electric shock, leakage-current or resistance measurements shall be carried out (exposed parts are acceptably insulated from the supply circuit) before the appliance is returned to the customer.

The DC voltage is an actual reading measured with a high impedance type voltmeter with a cassette loaded at playback mode. The measurement value may vary depending on the measuring instruments used or on the product. Bias circuit DC voltage is measured while in the record mode.

(X14-7XXX-XX) (A/6)



to TRANS  
2/4  
B



VR-409 (X14-7090-11)

| DESTINATION | COUNTRY | ABB. | UNIT No. | (A) | (B) | (C) | C1      | C40,42,48,60,61 | C49 | D13,26 | D24,25,28-30,36 | IC3 | IC6 | R11,54,55 | S3  | S17,18 | W33,36 | W40,41 |
|-------------|---------|------|----------|-----|-----|-----|---------|-----------------|-----|--------|-----------------|-----|-----|-----------|-----|--------|--------|--------|
| U.S.A.      | K       | P    | 0-11     | NO  | NO  | NO  | 330u6.3 | NO              | YES | YES    | NO              | YES | NO  | NO        | YES | NO     | NO     | YES    |
| CANADA      | P       | P    | 2-71     | YES | NO  | NO  | 100u10  | YES             | YES | NO     | NO              | NO  | NO  | NO        | NO  | NO     | NO     | NO     |

KRF-V8030D (X14-709X-XX)

| DESTINATION | COUNTRY | ABB. | UNIT No. | (A) | (B) | (C) | C1     | C40 | C42,48,60 | C49 | C61 | D13,25,29 | D24,30 | D26,28 | D36,36 | IC3 | IC6 | R11 | R54,55 | S3  | S17,18 | W33,40,41 | W36 |    |
|-------------|---------|------|----------|-----|-----|-----|--------|-----|-----------|-----|-----|-----------|--------|--------|--------|-----|-----|-----|--------|-----|--------|-----------|-----|----|
| PX          | Y       | Y    | 0-21     | NO  | NO  | NO  | 100u10 | YES | YES       | NO  | NO  | NO        | NO     | NO     | NO     | NO  | NO  | YES | YES    | 10K | YES    | NO        | YES | NO |
| EUROPE      | E       | E    | 2-71     | YES | NO  | NO  | 100u10 | YES | NO        | NO  | NO  | NO        | NO     | NO     | NO     | NO  | NO  | NO  | NO     | NO  | NO     | NO        | NO  | NO |

KRF-V8030D-S (X14-709X-XX)

| DESTINATION    | COUNTRY | ABB. | UNIT No. | (A) | (B) | (C) | C1     | C40,42 | C48 | C49,60,61 | D13,25,30 | D24 | D26,28 | D29 | D36,36 | IC3 | IC6 | R11 | R54,55 | S3   | S17,18 | W33,40,41 | W36 |    |
|----------------|---------|------|----------|-----|-----|-----|--------|--------|-----|-----------|-----------|-----|--------|-----|--------|-----|-----|-----|--------|------|--------|-----------|-----|----|
| GENERAL MARKET | M       | M    | 0-21     | NO  | YES | NO  | 100u10 | YES    | YES | NO        | NO        | NO  | NO     | NO  | NO     | NO  | NO  | YES | YES    | 10K  | YES    | NO        | YES | NO |
| MALAYSIA       | I       | I    | 0-21     | NO  | YES | NO  | 100u10 | YES    | YES | NO        | NO        | NO  | NO     | NO  | NO     | NO  | NO  | YES | YES    | 10K  | YES    | NO        | YES | NO |
| AUSTRALIA      | X       | X    | 0-71     | NO  | NO  | NO  | 100u10 | YES    | NO  | NO        | NO        | YES | YES    | NO  | NO     | NO  | NO  | NO  | NO     | 4.7K | YES    | NO        | YES | NO |

VR-407 (X14-7090-12)

| DESTINATION | COUNTRY | ABB. | UNIT No. | (A) | (B) | (C) | C1      | C40,42,48,60,61 | C49 | D13,25 | D24,26,28-30,36 | IC3 | IC6 | R11,54,55 | S3  | S17,18 | W33,36 | W40,41 |     |
|-------------|---------|------|----------|-----|-----|-----|---------|-----------------|-----|--------|-----------------|-----|-----|-----------|-----|--------|--------|--------|-----|
| U.S.A.      | K       | P    | 0-12     | NO  | NO  | NO  | 330u6.3 | NO              | YES | YES    | NO              | YES | NO  | NO        | YES | NO     | NO     | NO     | YES |
| CANADA      | P       | P    | 2-71     | YES | NO  | NO  | 100u10  | YES             | NO  | NO     | NO              | NO  | NO  | NO        | NO  | NO     | NO     | NO     | NO  |

VR-407-S (X14-7090-12)

| DESTINATION | COUNTRY | ABB. | UNIT No. | (A) | (B) | (C) | C1      | C40,42,48,60,61 | C49 | D13,25 | D24,26,28-30,36 | IC3 | IC6 | R11,54,55 | S3  | S17,18 | W33,36 | W40,41 |     |
|-------------|---------|------|----------|-----|-----|-----|---------|-----------------|-----|--------|-----------------|-----|-----|-----------|-----|--------|--------|--------|-----|
| U.S.A.      | K       | P    | 0-12     | NO  | NO  | NO  | 330u6.3 | NO              | YES | YES    | NO              | YES | NO  | NO        | YES | NO     | NO     | NO     | YES |

KRF-V7030D (X14-709X-XX)

| DESTINATION | COUNTRY | ABB. | UNIT No. | (A) | (B) | (C) | C1     | C40,108-115 | C42,48 | C49,60 | C61 | D13,26,29 | D24,30 | D25,28 | D36 | IC3 | IC6 | R11 | R54,55 | S3  | S17,18 | W33,40,41 | W36 |    |
|-------------|---------|------|----------|-----|-----|-----|--------|-------------|--------|--------|-----|-----------|--------|--------|-----|-----|-----|-----|--------|-----|--------|-----------|-----|----|
| PX          | Y       | Y    | 0-22     | NO  | NO  | NO  | 100u10 | YES         | YES    | NO     | NO  | NO        | NO     | NO     | NO  | NO  | NO  | YES | YES    | 10K | YES    | NO        | YES | NO |
| EUROPE      | E1      | E1   | 2-72     | YES | NO  | NO  | 100u10 | YES         | NO     | NO     | NO  | NO        | NO     | NO     | NO  | NO  | NO  | NO  | NO     | NO  | NO     | NO        | NO  | NO |
| U.K.        | T       | T    | 2-72     | YES | NO  | NO  | 100u10 | YES         | NO     | NO     | NO  | NO        | NO     | NO     | NO  | NO  | NO  | NO  | NO     | NO  | NO     | NO        | NO  | NO |

KRF-V7030D-S (X14-709X-XX)

| DESTINATION    | COUNTRY | ABB. | UNIT No. | (A) | (B) | (C) | C1     | C40,108-115 | C48 | C49,60,61 | D13,26,30 | D24 | D25,28 | D29 | D36 | IC3 | IC6 | R11 | R54,55 | S3   | S17,18 | W33,40,41 | W36 |    |
|----------------|---------|------|----------|-----|-----|-----|--------|-------------|-----|-----------|-----------|-----|--------|-----|-----|-----|-----|-----|--------|------|--------|-----------|-----|----|
| GENERAL MARKET | M       | M    | 0-22     | NO  | YES | NO  | 100u10 | YES         | YES | NO        | NO        | NO  | NO     | NO  | NO  | NO  | NO  | YES | YES    | 10K  | YES    | NO        | YES | NO |
| MALAYSIA       | I       | I    | 0-22     | NO  | YES | NO  | 100u10 | YES         | YES | NO        | NO        | NO  | NO     | NO  | NO  | NO  | NO  | YES | YES    | 10K  | YES    | NO        | YES | NO |
| AUSTRALIA      | X       | X    | 0-72     | NO  | NO  | NO  | 100u10 | YES         | NO  | NO        | NO        | YES | YES    | NO  | NO  | NO  | NO  | NO  | NO     | 4.7K | YES    | NO        | YES | NO |

**CAUTION:** For continued safety, replace safety critical components only with manufacturer's recommended parts (refer to parts list).  $\Delta$  indicates safety critical components. For continued protection against risk of fire, replace only with same type and rating fuse(s). To reduce the risk of electric shock, leakage-current or resistance measurements shall be carried out (exposed parts are acceptably insulated from the supply circuit) before the appliance is returned to the customer.

The DC voltage is an actual reading measured with a high impedance type voltmeter with a cassette loaded at playback mode. The measurement value may vary depending on the measuring instruments used or on the product. Bias circuit DC voltage is measured while in the record mode.

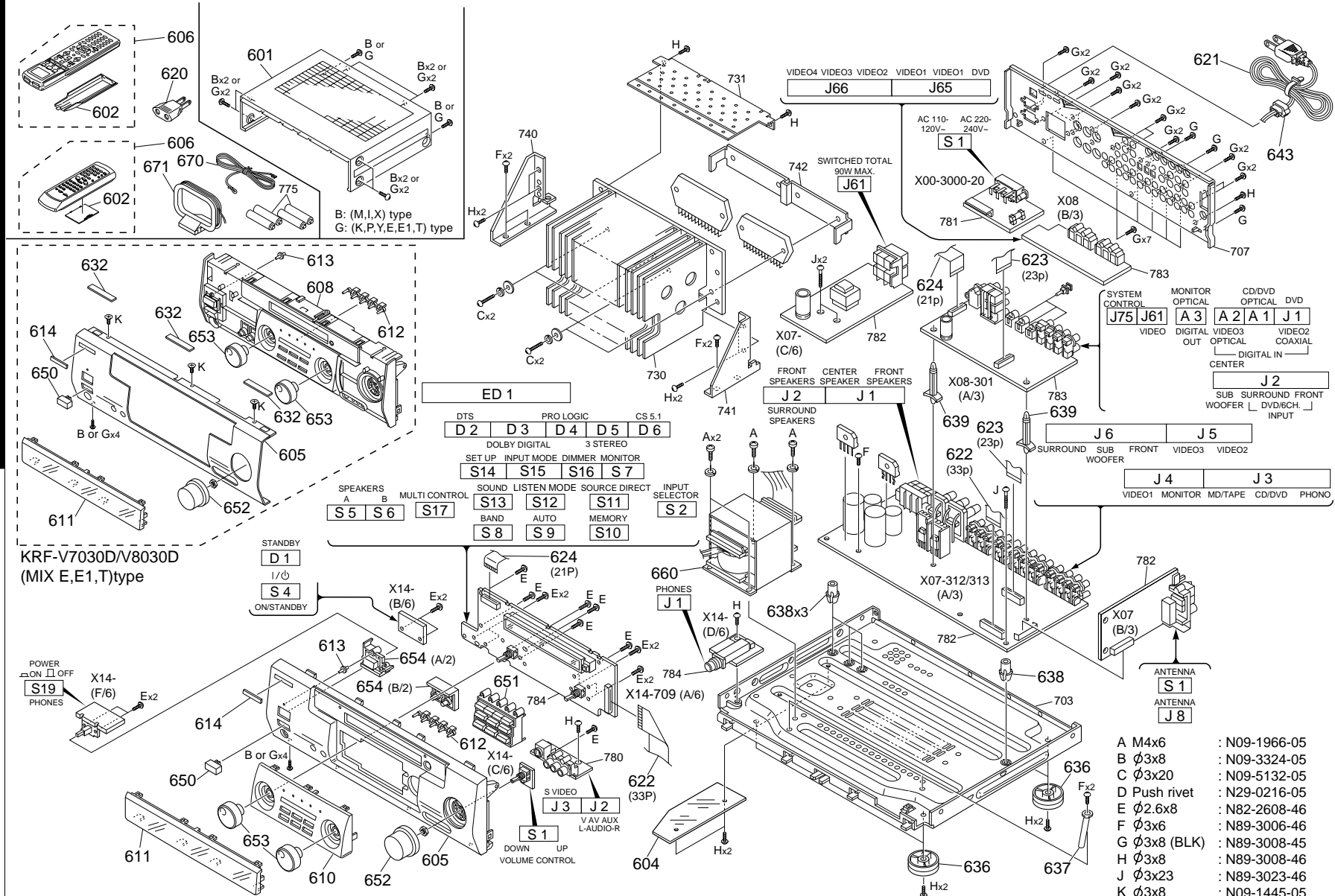
- IC1 : MN101C35DRA
- IC2,5 : S-80840ANY
- IC3 : TA78057F
- IC4 : BU1923F
- IC6 : XC62FP5102P
- D1 : B30-2567-05
- D2-6 : B30-2545-05
- D7 : MTZ16.2(B) or HZS6.2N(B2)
- D8,9 : RB721Q
- D11,12,15,16,35,36 : MA111
- D13,17-22,24-26,28-30 : 1SS133 or HSS104A
- A1 : W02-2625-05
- ED1 : SVA-11MS22 or 11-MT-120GK



A

B

C



KRF-V7030D/V8030D (MIX E,E1,T) type

POWER ON/OFF S19 PHONES

STANDBY D1 I/ψ S4 ON/STANDBY

ED 1

|                                  |     |                |     |    |
|----------------------------------|-----|----------------|-----|----|
| D2                               | D3  | D4             | D5  | D6 |
| DOLBY DIGITAL 3 STEREO           |     |                |     |    |
| S14                              | S15 | S16            | S17 | S7 |
| SET UP INPUT MODE DIMMER MONITOR |     |                |     |    |
| S13                              | S12 | S11            | S2  |    |
| BAND AUTO MEMORY                 |     | INPUT SELECTOR |     |    |
| S8                               | S9  | S10            |     |    |

SPEAKERS B MULTI CONTROL SOUND LISTEN MODE SOURCE DIRECT

|    |    |                  |     |                |     |    |
|----|----|------------------|-----|----------------|-----|----|
| S5 | S6 | S17              | S13 | S12            | S11 | S2 |
| A  |    | BAND AUTO MEMORY |     | INPUT SELECTOR |     |    |
| S8 |    | S9               |     | S10            |     |    |

- A M4x6 : N09-1966-05
- B φ3x8 : N09-3324-05
- C φ3x20 : N09-5132-05
- D Push rivet : N29-0216-05
- E φ2.6x8 : N82-2608-46
- F φ3x6 : N89-3006-46
- G φ3x8 (BLK) : N89-3008-45
- H φ3x8 : N89-3008-46
- J φ3x23 : N89-3023-46
- K φ3x8 : N09-1445-05

KRF-V8030D, V7030D/VR-409, 407

EXPLODED VIEW (UNIT)

KRF-V7030D/V8030D/VR-407/409

\* New Parts

Parts without **Parts No.** are not supplied.  
 Les articles non mentionnés dans le **Parts No.** ne sont pas fournis.  
 Teile ohne **Parts No.** werden nicht geliefert.

①

| Ref. No                  | Add-ress | New Parts | Parts No.   | Description                   | Desti-nation | Re-marks |
|--------------------------|----------|-----------|-------------|-------------------------------|--------------|----------|
| <b>KRF-V7030D/V8030D</b> |          |           |             |                               |              |          |
| 601                      | 1A       | *         | A01-3731-01 | METALLIC CABINET              |              |          |
| 602                      | 1A       | *         | A09-1166-08 | BATTERY COVER                 | E            |          |
| 602                      | 1A       | *         | A09-1178-08 | BATTERY COVER                 | E1T          |          |
| 604                      | 2B       | *         | A46-0309-04 | REAR COVER                    |              |          |
| 605                      | 1A,2A    | *         | A60-1744-12 | PANEL                         |              |          |
| 606                      | 1A       | *         | A70-1331-05 | REMOTE CONTROL ASSY(RC-R0610) | E1T          |          |
| 606                      | 1A       | *         | A70-1345-05 | REMOTE CONTROL ASSY(RC-R0808) | E            |          |
| 608                      | 1A       | *         | A22-1833-11 | SUB PANEL                     | E            |          |
| 608                      | 1A       | *         | A22-1835-11 | SUB PANEL                     | E1T          |          |
| 611                      | 2A       | *         | B10-3545-02 | FRONT GLASS                   | E            |          |
| 611                      | 2A       | *         | B10-3548-02 | FRONT GLASS                   | E1T          |          |
| 612                      | 1A,2B    | *         | B12-0383-04 | INDICATOR                     |              |          |
| 613                      | 1A,2B    | *         | B12-0341-04 | INDICATOR                     |              |          |
| 614                      | 2A       | *         | B43-0314-04 | KENWOOD BADGE                 |              |          |
| -                        |          |           | B46-0310-03 | WARRANTY CARD                 | T            |          |
| -                        |          |           | B58-0945-03 | CAUTION CARD                  | T            |          |
| -                        |          |           | B58-0965-13 | CAUTION CARD (T,XtypePL)      | EE1          |          |
| -                        |          |           | B58-0966-13 | CAUTION CARD (ELMtypePL)      | E            |          |
| -                        |          | *         | B60-4595-00 | INSTRUCTION MANUAL (ES)       | E            |          |
| -                        |          | *         | B60-4596-00 | INSTRUCTION MANUAL (FR)       | E            |          |
| -                        |          | *         | B60-4597-00 | INSTRUCTION MANUAL (GE/NE/IT) | E            |          |
| -                        |          | *         | B60-4602-00 | INSTRUCTION MANUAL (EN)       | T            |          |
| -                        |          | *         | B60-4603-00 | INSTRUCTION MANUAL (ES)       | E1           |          |
| -                        |          | *         | B60-4604-00 | INSTRUCTION MANUAL (FR/GE)    | E1           |          |
| -                        |          | *         | B60-4605-00 | INSTRUCTION MANUAL (IT/NE)    | E1           |          |
| -                        |          | *         | B60-4615-00 | INSTRUCTION MANUAL (5-LAN)    | E            |          |
| -                        |          | *         | B60-4622-00 | INSTRUCTION MANUAL (5-LAN)    | E1           |          |
| -                        |          | *         | B60-4624-00 | INSTRUCTION MANUAL (EN)       | T            |          |
| △ 621                    | 1C       | *         | E30-2721-05 | AC POWER CORD                 | T            |          |
| △ 621                    | 1C       | *         | E30-2942-05 | AC POWER CORD                 | EE1          |          |
| 622                      | 1C,2B    | *         | E35-2456-05 | FLAT CABLE (33P)              |              |          |
| 623                      | 1C       | *         | E35-2480-05 | FLAT CABLE (23P)              |              |          |
| 624                      | 1C,2B    | *         | E35-2613-05 | FLAT CABLE (21P)              |              |          |
| 632                      | 1A       |           | G10-0481-04 | NON-WOVEN FABRIC              |              |          |
| -                        |          |           | G11-2416-04 | CUSHION                       |              |          |
| -                        |          | *         | H10-7628-02 | POLYSTYRENE FOAMED FIXTURE    |              |          |
| -                        |          | *         | H10-7629-02 | POLYSTYRENE FOAMED FIXTURE    |              |          |
| -                        |          | *         | H25-0232-04 | PROTECTION BAG (235X350X0.03) | EE1          |          |
| -                        |          | *         | H25-0391-04 | PROTECTION BAG                |              |          |
| -                        |          | *         | H25-0651-04 | PROTECTION BAG (0232 PRINT)   | T            |          |
| -                        |          | *         | H50-3599-04 | ITEM CARTON CASE              | E            |          |
| -                        |          | *         | H50-3604-04 | ITEM CARTON CASE              | E1T          |          |
| 636                      | 2C       | *         | J02-1464-03 | FOOT                          |              |          |
| 637                      | 2C       | *         | J19-2808-05 | HOLDER                        |              |          |
| 638                      | 2B,2C    | *         | J19-3752-14 | UNIT HOLDER                   |              |          |
| 639                      | 1C       | *         | J19-6078-05 | UNIT HOLDER                   |              |          |
| △ 643                    | 1C       | *         | J42-0083-05 | POWER CORD BUSHING            |              |          |
| -                        |          |           | J61-0307-05 | WIRE BAND                     |              |          |
| 650                      | 2A       | *         | K27-2384-04 | KNOB (BUTTON)                 |              |          |
| 651                      | 2B       | *         | K29-7675-12 | KNOB                          |              |          |
| 652                      | 2A       | *         | K29-7678-04 | KNOB (VOLUME)                 |              |          |

L : Scandinavia K : USA P : Canada R : Mexico C : China I : Malaysia  
 Y : PX(Far East,Hawaii) T : England G : Germany V : China(Shanghai)  
 Y : AAFES(Europe) X : Australia Q : Russia H : Korea M : Other Areas △ indicates safety critical components .

\* New Parts

Parts without **Parts No.** are not supplied.  
 Les articles non mentionnés dans le **Parts No.** ne sont pas fournis.  
 Teile ohne **Parts No.** werden nicht geliefert.

②

| Ref. No             | Add-ress | New Parts | Parts No.   | Description                   | Desti-nation | Re-marks |
|---------------------|----------|-----------|-------------|-------------------------------|--------------|----------|
| 653                 | 1A,2A    | *         | K29-7681-14 | KNOB (MULTI/INPUT)            |              |          |
| △ 660               | 2B       | *         | L07-2790-05 | POWER TRANSFORMER             |              |          |
| 670                 | 1A       | *         | T90-0836-05 | LEAD WIRE ANTENNA             |              |          |
| 671                 | 1A       | *         | T90-0852-05 | LOOP ANTENNA                  |              |          |
| <b>KRF-V8030D-S</b> |          |           |             |                               |              |          |
| 601                 | 1A       | *         | A01-3732-01 | METALLIC CABINET              |              |          |
| 602                 | 1A       | *         | A09-1166-08 | BATTERY COVER                 |              |          |
| 604                 | 2B       | *         | A46-0309-04 | REAR COVER                    |              |          |
| 605                 | 1A,2A    | *         | A60-1743-12 | PANEL                         |              |          |
| 606                 | 1A       | *         | A70-1315-05 | REMOTE CONTROL ASSY(RC-R0809) |              |          |
| 608                 | 1A       | *         | A22-1834-11 | SUB PANEL                     |              |          |
| 611                 | 2A       | *         | B10-3544-02 | FRONT GLASS                   |              |          |
| 612                 | 1A,2B    | *         | B12-0383-04 | INDICATOR                     |              |          |
| 613                 | 1A,2B    | *         | B12-0341-04 | INDICATOR                     |              |          |
| 614                 | 2A       | *         | B43-0314-04 | KENWOOD BADGE                 |              |          |
| -                   |          |           | B46-0096-53 | WARRANTY CARD                 |              |          |
| -                   |          |           | B58-0965-13 | CAUTION CARD (T,XtypePL)      |              | X        |
| -                   |          |           | B58-0966-13 | CAUTION CARD (ELMtypePL)      |              | MI       |
| -                   |          | *         | B60-4593-00 | INSTRUCTION MANUAL (EN)       |              | MI       |
| -                   |          | *         | B60-4594-00 | INSTRUCTION MANUAL (TC)       |              | M        |
| -                   |          | *         | B60-4595-00 | INSTRUCTION MANUAL (ES)       |              | M        |
| -                   |          | *         | B60-4611-00 | INSTRUCTION MANUAL (EN)       |              | MI       |
| -                   |          | *         | B60-4612-00 | INSTRUCTION MANUAL (TC)       |              | M        |
| -                   |          | *         | B60-4613-00 | INSTRUCTION MANUAL (ES)       |              | M        |
| △ 620               | 1A       | *         | E03-0115-05 | AC PLUG ADAPTER               |              | M        |
| △ 621               | 1C       | *         | E30-2717-05 | AC POWER CORD                 |              | X        |
| △ 621               | 1C       | *         | E30-2942-05 | AC POWER CORD                 |              | MI       |
| 622                 | 1C,2B    | *         | E35-2456-05 | FLAT CABLE (33P)              |              |          |
| 623                 | 1C       | *         | E35-2480-05 | FLAT CABLE (23P)              |              |          |
| 624                 | 1C,2B    | *         | E35-2613-05 | FLAT CABLE (21P)              |              |          |
| 632                 | 1A       |           | G10-0481-04 | NON-WOVEN FABRIC              |              |          |
| -                   |          |           | G11-2416-04 | CUSHION                       |              |          |
| -                   |          | *         | H10-7628-02 | POLYSTYRENE FOAMED FIXTURE    |              |          |
| -                   |          | *         | H10-7629-02 | POLYSTYRENE FOAMED FIXTURE    |              |          |
| -                   |          | *         | H25-0232-04 | PROTECTION BAG (235X350X0.03) |              |          |
| -                   |          | *         | H25-0391-04 | PROTECTION BAG                |              |          |
| -                   |          | *         | H50-3600-04 | ITEM CARTON CASE              |              | X        |
| -                   |          | *         | H50-3601-04 | ITEM CARTON CASE              |              | MI       |
| 636                 | 2C       | *         | J02-1464-03 | FOOT                          |              |          |
| 637                 | 2C       | *         | J19-2808-05 | HOLDER                        |              |          |
| 638                 | 2B,2C    | *         | J19-3752-14 | UNIT HOLDER                   |              |          |
| 639                 | 1C       | *         | J19-6078-05 | UNIT HOLDER                   |              |          |
| △ 643               | 1C       | *         | J42-0083-05 | POWER CORD BUSHING            |              |          |
| -                   |          |           | J61-0307-05 | WIRE BAND                     |              |          |
| 650                 | 2A       | *         | K27-2385-04 | KNOB (BUTTON)                 |              |          |
| 651                 | 2B       | *         | K29-7676-12 | KNOB                          |              |          |
| 652                 | 2A       | *         | K29-7679-04 | KNOB (VOLUME)                 |              |          |
| 653                 | 1A,2A    | *         | K29-7682-14 | KNOB (MULTI/INPUT)            |              |          |
| △ 660               | 2B       | *         | L07-2788-05 | POWER TRANSFORMER             |              | MI       |

L : Scandinavia K : USA P : Canada R : Mexico C : China I : Malaysia  
 Y : PX(Far East,Hawaii) T : England G : Germany V : China(Shanghai)  
 Y : AAFES(Europe) X : Australia Q : Russia H : Korea M : Other Areas △ indicates safety critical components .

\* New Parts  
Parts without **Parts No.** are not supplied.  
Les articles non mentionnés dans le **Parts No.** ne sont pas fournis.  
Teile ohne **Parts No.** werden nicht geliefert.

3

| Ref. No                  | Add-ress | New Parts | Parts No.   | Description                   | Desti-nation | Re-marks |
|--------------------------|----------|-----------|-------------|-------------------------------|--------------|----------|
| Δ 660                    | 2B       | *         | L07-2789-05 | POWER TRANSFORMER             | X            |          |
| 670                      | 1A       | *         | T90-0836-05 | LEAD WIRE ANTENNA             |              |          |
| 671                      | 1A       | *         | T90-0852-05 | LOOP ANTENNA                  |              |          |
| <b>VR-409/KRF-V8030D</b> |          |           |             |                               |              |          |
| 601                      | 1A       | *         | A01-3733-01 | METALLIC CABINET              |              |          |
| 602                      | 1A       | *         | A09-1166-08 | BATTERY COVER                 |              |          |
| 604                      | 2B       | *         | A46-0309-04 | REAR COVER                    |              |          |
| 605                      | 1A,2A    | *         | A60-1736-11 | PANEL                         | KP           |          |
| 605                      | 1A,2A    | *         | A60-1737-11 | PANEL                         | Y            |          |
| 606                      | 1A       | *         | A70-1315-05 | REMOTE CONTROL ASSY(RC-R0809) |              |          |
| 610                      | 2A       | *         | B07-2475-02 | ESCUTCHEON                    |              |          |
| 611                      | 2A       | *         | B10-3543-02 | FRONT GLASS                   | KP           |          |
| 611                      | 2A       | *         | B10-3544-02 | FRONT GLASS                   | Y            |          |
| 612                      | 1A,2B    | *         | B12-0383-04 | INDICATOR                     |              |          |
| 613                      | 1A,2B    | *         | B12-0385-04 | INDICATOR                     |              |          |
| 614                      | 1A,2A    |           | B43-0314-04 | KENWOOD BADGE                 |              |          |
| -                        |          |           | B46-0328-03 | WARRANTY CARD                 | KY           |          |
| -                        |          |           | B46-0346-00 | QUESTIONNAIRE CARD            | K            |          |
| -                        |          |           | B46-0347-03 | WARRANTY CARD                 | P            |          |
| -                        |          |           | B58-0513-04 | CAUTION CARD (PRESET220-240)  | Y            |          |
| -                        |          |           | B58-0964-13 | CAUTION CARD (UL)             | KY           |          |
| -                        |          | *         | B58-0967-03 | CAUTION CARD (PtypePL)        | Y            |          |
| -                        |          |           | B59-1104-00 | SERVICE DIRECTORY             | P            |          |
| -                        |          | *         | B60-4593-00 | INSTRUCTION MANUAL (EN)       |              |          |
| -                        |          | *         | B60-4596-00 | INSTRUCTION MANUAL (FR)       | P            |          |
| -                        |          | *         | B60-4611-00 | INSTRUCTION MANUAL EN(R)      |              |          |
| -                        |          | *         | B60-4614-00 | INSTRUCTION MANUAL FR(R)      | P            |          |
| Δ 621                    | 1C       | *         | E30-2605-05 | AC POWER CORD                 | Y            |          |
| Δ 621                    | 1C       | *         | E30-2941-05 | AC POWER CORD                 | KP           |          |
| 622                      | 1C,2B    | *         | E35-2456-05 | FLAT CABLE (33P)              |              |          |
| 623                      | 1C       | *         | E35-2480-05 | FLAT CABLE (23P)              |              |          |
| 624                      | 1C,2B    | *         | E35-2613-05 | FLAT CABLE (21P)              |              |          |
| -                        |          |           | G11-2416-04 | CUSHION                       |              |          |
| -                        |          | *         | H10-7628-02 | POLYSTYRENE FOAMED FIXTURE    |              |          |
| -                        |          | *         | H10-7629-02 | POLYSTYRENE FOAMED FIXTURE    |              |          |
| -                        |          |           | H25-0232-04 | PROTECTION BAG (235X350X0.03) |              |          |
| -                        |          |           | H25-0391-04 | PROTECTION BAG                |              |          |
| -                        |          | *         | H50-3598-04 | ITEM CARTON CASE              | KP           |          |
| -                        |          | *         | H50-3599-04 | ITEM CARTON CASE              | Y            |          |
| 636                      | 2C       | *         | J02-1464-03 | FOOT                          |              |          |
| 637                      | 2C       | *         | J19-2808-05 | HOLDER                        |              |          |
| 638                      | 2B,2C    | *         | J19-3752-14 | UNIT HOLDER                   |              |          |
| 639                      | 1C       | *         | J19-6078-05 | UNIT HOLDER                   |              |          |
| Δ 643                    | 1C       | *         | J42-0083-05 | POWER CORD BUSHING            |              |          |
| -                        |          |           | J61-0307-05 | WIRE BAND                     |              |          |
| 650                      | 2A       | *         | K27-2384-04 | KNOB (BUTTON)                 | Y            |          |
| 651                      | 2B       | *         | K29-7675-12 | KNOB                          |              |          |
| 652                      | 2A       | *         | K29-7678-04 | KNOB (VOLUME)                 |              |          |
| 653                      | 1A,2A    | *         | K29-7681-14 | KNOB (MULTI/INPUT)            |              |          |
| 654                      | 2A       | *         | K29-7687-03 | KNOB (POWER/SPEAKER)          |              |          |

L : Scandinavia K : USA P : Canada R : Mexico C : China I : Malaysia  
Y : PX(Far East,Hawaii) T : England E : Europe G : Germany V : China(Shanghai)  
Y : AAFES(Europe) X : Australia Q : Russia H : Korea M : Other Areas Δ indicates safety critical components .

\* New Parts  
Parts without **Parts No.** are not supplied.  
Les articles non mentionnés dans le **Parts No.** ne sont pas fournis.  
Teile ohne **Parts No.** werden nicht geliefert.

4

| Ref. No                                 | Add-ress | New Parts | Parts No.   | Description                   | Desti-nation | Re-marks |
|---|----------|-----------|-------------|-------------------------------|--------------|----------|
| Δ 660                                   | 2B       | *         | L07-2787-05 | POWER TRANSFORMER             | KP           |          |
| Δ 660                                   | 2B       | *         | L07-2788-05 | POWER TRANSFORMER             | Y            |          |
| 670                                     | 1A       | *         | T90-0836-05 | LEAD WIRE ANTENNA             |              |          |
| 671                                     | 1A       | *         | T90-0852-05 | LOOP ANTENNA                  |              |          |
| <b>VR-407/407-S/KRF-V7030D/V7030D-S</b> |          |           |             |                               |              |          |
| 601                                     | 1A       | *         | A01-3733-01 | METALLIC CABINET              |              | KPY      |
| 601                                     | 1A       | *         | A01-3734-01 | METALLIC CABINET              |              | MIXK1    |
| 602                                     | 1A       | *         | A09-1178-08 | BATTERY COVER                 |              |          |
| 604                                     | 2B       | *         | A46-0309-04 | REAR COVER                    |              |          |
| 605                                     | 1A,2A    | *         | A60-1736-11 | PANEL                         |              | KP       |
| 605                                     | 1A,2A    | *         | A60-1737-11 | PANEL                         |              | Y        |
| 605                                     | 1A,2A    | *         | A60-1738-11 | PANEL                         |              | K1       |
| 605                                     | 1A,2A    | *         | A60-1739-11 | PANEL                         |              | MIX      |
| 606                                     | 1A       | *         | A70-1330-05 | REMOTE CONTROL ASSY(RC-R0609) |              |          |
| 610                                     | 2A       | *         | B07-2476-02 | ESCUTCHEON                    |              | MIXK1    |
| 610                                     | 2A       | *         | B07-2507-02 | ESCUTCHEON                    |              | KPY      |
| 611                                     | 2A       | *         | B10-3546-02 | FRONT GLASS                   |              | KPK11    |
| 611                                     | 2A       | *         | B10-3547-02 | FRONT GLASS                   |              | YMIX     |
| 612                                     | 1A,2B    | *         | B12-0383-04 | INDICATOR                     |              |          |
| 613                                     | 1A,2B    | *         | B12-0385-04 | INDICATOR                     |              |          |
| 614                                     | 1A,2A    |           | B43-0314-04 | KENWOOD BADGE                 |              |          |
| -                                       |          |           | B46-0096-53 | WARRANTY CARD                 |              | X        |
| -                                       |          |           | B46-0328-03 | WARRANTY CARD                 |              | KYK1     |
| -                                       |          |           | B46-0346-00 | QUESTIONNAIRE CARD            |              | KK1      |
| -                                       |          |           | B46-0347-03 | WARRANTY CARD                 |              | Y        |
| -                                       |          |           | B58-0513-04 | CAUTION CARD (PRESET220-240)  |              | KY       |
| -                                       |          |           | B58-0964-13 | CAUTION CARD (UL)             |              | Y        |
| -                                       |          |           | B58-0966-13 | CAUTION CARD (T,XtypePL)      |              | X        |
| -                                       |          |           | B58-0966-13 | CAUTION CARD (ELMtypePL)      |              | MI       |
| -                                       |          | *         | B58-0967-03 | CAUTION CARD (PtypePL)        |              | P        |
| -                                       |          |           | B59-1104-00 | SERVICE DIRECTORY             |              | Y        |
| -                                       |          | *         | B60-4598-00 | INSTRUCTION MANUAL (EN)       |              |          |
| -                                       |          | *         | B60-4599-00 | INSTRUCTION MANUAL (FR)       |              | P        |
| -                                       |          | *         | B60-4600-00 | INSTRUCTION MANUAL (TC)       |              | MI       |
| -                                       |          | *         | B60-4603-00 | INSTRUCTION MANUAL (ES)       |              | M        |
| -                                       |          | *         | B60-4617-00 | INSTRUCTION MANUAL EN(R)      |              |          |
| -                                       |          | *         | B60-4618-00 | INSTRUCTION MANUAL FR(R)      |              | P        |
| -                                       |          | *         | B60-4619-00 | INSTRUCTION MANUAL ES(R)      |              | M        |
| -                                       |          | *         | B60-4620-00 | INSTRUCTION MANUAL TC(R)      |              | MI       |
| Δ 620                                   | 1A       | *         | E03-0115-05 | AC PLUG ADAPTER               |              | M        |
| Δ 621                                   | 1C       | *         | E30-2605-05 | AC POWER CORD                 |              | Y        |
| Δ 621                                   | 1C       | *         | E30-2717-05 | AC POWER CORD                 |              | X        |
| Δ 621                                   | 1C       | *         | E30-2941-05 | AC POWER CORD                 |              | KPK1     |
| Δ 621                                   | 1C       | *         | E30-2942-05 | AC POWER CORD                 |              | MI       |
| 622                                     | 1C,2B    | *         | E35-2456-05 | FLAT CABLE (33P)              |              |          |
| 623                                     | 1C       | *         | E35-2480-05 | FLAT CABLE (23P)              |              |          |
| 624                                     | 1C,2B    | *         | E35-2613-05 | FLAT CABLE (21P)              |              |          |
| -                                       |          |           | G11-2416-04 | CUSHION                       |              |          |
| -                                       |          | *         | H10-7628-02 | POLYSTYRENE FOAMED FIXTURE    |              |          |
| -                                       |          | *         | H10-7629-02 | POLYSTYRENE FOAMED FIXTURE    |              |          |
| -                                       |          |           | H25-0232-04 | PROTECTION BAG (235X350X0.03) |              |          |
| -                                       |          |           | H25-0391-04 | PROTECTION BAG                |              |          |
| -                                       |          | *         | H50-3602-04 | ITEM CARTON CASE              |              | KP       |

L : Scandinavia K : USA P : Canada R : Mexico C : China I : Malaysia  
Y : PX(Far East,Hawaii) T : England E : Europe G : Germany V : China(Shanghai)  
Y : AAFES(Europe) X : Australia Q : Russia H : Korea M : Other Areas Δ indicates safety critical components .

PARTS LIST

KRF-V7030D/V8030D/VR-407/409

\* New Parts  
 Parts without **Parts No.** are not supplied.  
 Les articles non mentionnés dans le **Parts No.** ne sont pas fournis.  
 Teile ohne **Parts No.** werden nicht geliefert.

5

| Ref. No   | Address | New Parts | Parts No.     | Description                 | Destination | Remarks |
|---|---------|-----------|---------------|-----------------------------|-------------|---------|
| -   |         | *         | H50-3603-04   | ITEM CARTON CASE            | K1          |         |
| -   |         | *         | H50-3604-04   | ITEM CARTON CASE            | Y           |         |
| -   |         | *         | H50-3605-04   | ITEM CARTON CASE            | X           |         |
| -   |         | *         | H50-3606-04   | ITEM CARTON CASE            | MI          |         |
| 636   | 2C      | *         | J02-1464-03   | FOOT                        |             |         |
| 637   | 2C      |           | J19-2808-05   | HOLDER                      |             |         |
| 638   | 2B,2C   |           | J19-3752-14   | UNIT HOLDER                 |             |         |
| 639   | 1C      | *         | J19-6078-05   | UNIT HOLDER                 |             |         |
| 643   | 1C      |           | J42-0083-05   | POWER CORD BUSHING          |             |         |
| -   |         |           | J61-0307-05   | WIRE BAND                   |             |         |
| 650   | 2A      | *         | K27-2384-04   | KNOB (BUTTON)               | Y           |         |
| 650   | 2B      | *         | K27-2385-04   | KNOB (BUTTON)               | MIX         |         |
| 651   | 2A      | *         | K29-7675-12   | KNOB                        | KPY         |         |
| 651   | 1A,2A   | *         | K29-7676-12   | KNOB                        | MIXK1       |         |
| 652   | 2A      | *         | K29-7678-04   | KNOB (VOLUME)               | KPY         |         |
| 652   | 2A      | *         | K29-7679-04   | KNOB (VOLUME)               | MIXK1       |         |
| 653   | 1A,2A   | *         | K29-7681-14   | KNOB (MULTI/INPUT)          | KPY         |         |
| 653   | 1A,2A   | *         | K29-7682-14   | KNOB (MULTI/INPUT)          | MIXK1       |         |
| 654   | 2A      | *         | K29-7687-03   | KNOB (POWER/SPEAKER)        | KPY         |         |
| 654   | 2A      | *         | K29-7688-03   | KNOB (POWER/SPEAKER)        | MIXK1       |         |
| 660   | 2B      | *         | L07-2787-05   | POWER TRANSFORMER           | KPK1        |         |
| 660   | 2B      | *         | L07-2788-05   | POWER TRANSFORMER           | YMI         |         |
| 660   | 2B      | *         | L07-2789-05   | POWER TRANSFORMER           | X           |         |
| 670   | 1A      |           | T90-0836-05   | LEAD WIRE ANTENNA           |             |         |
| 671   | 1A      | *         | T90-0852-05   | LOOP ANTENNA                |             |         |
| <b>POWER SUPPLY UNIT (X00-3000-20) Y,M,I,X only</b> |         |           |               |                             |             |         |
| CN1   |         |           | E40-8386-05   | PIN ASSY                    |             |         |
| F3  |         |           | F05-3121-05   | FUSE (SEMKO) (250V T3.15AL) |             |         |
| CN2 ,3  |         |           | J13-0075-05   | FUSE CLIP                   |             |         |
| S1  |         |           | S62.1.5       | SLIDE SWITCH                |             |         |
| <b>POWER AMPLIFIER UNIT (X07-312X/313X-XX)</b>      |         |           |               |                             |             |         |
| C1  |         |           | CK73FB1H223K  | CHIP C                      | 0.022UF     | K       |
| C2  |         |           | CK73FB1H103K  | CHIP C                      | 0.010UF     | K       |
| C3  |         |           | CK73FB1H103K  | CHIP C                      | 0.010UF     | K       |
| C4  |         |           | CC73FCH1H331J | CHIP C                      | 330PF       | J       |
| C4  |         |           | CC73FCH1H331J | CHIP C                      | 330PF       | J       |
| C5 ,6   |         |           | CK73FB1H103K  | CHIP C                      | 0.010UF     | K       |
| C7  |         |           | CE04LW1C470M  | ELECTRO                     | 47UF        | 16WV    |
| C8  |         |           | CK73EB1H103K  | CHIP C                      | 0.010UF     | K       |
| C9  |         |           | CC73FCH1H102J | CHIP C                      | 1000PF      | J       |
| C10   |         |           | CE04LW1C470M  | ELECTRO                     | 47UF        | 16WV    |
| C11 ,12   |         |           | CK73FB1H473K  | CHIP C                      | 0.047UF     | K       |
| C14   |         |           | CE04LW1C100M  | ELECTRO                     | 10UF        | 16WV    |
| C15   |         |           | CE04LW1H010M  | ELECTRO                     | 1.0UF       | 50WV    |
| C16   |         |           | CE04RW1HR47M  | ELECTRO                     | 0.47UF      | 50WV    |
| C17   |         |           | CE04LW1H010M  | ELECTRO                     | 1.0UF       | 50WV    |
| C18   |         |           | CC73FCH1H470J | CHIP C                      | 47PF        | J       |
| C19   |         |           | CE04RW1A100M  | ELECTRO                     | 10UF        | 10WV    |
| C20   |         |           | CK73FB1H473K  | CHIP C                      | 0.047UF     | K       |
| C21   |         |           | CE04RW1V3R3M  | ELECTRO                     | 3.3UF       | 35WV    |
| C22   |         |           | CK73FB1H473K  | CHIP C                      | 0.047UF     | K       |

L : Scandinavia K : USA P : Canada R : Mexico C : China I : Malaysia  
 Y : PX(Far East,Hawaii) T : England E : Europe G : Germany V : China(Shanghai)  
 Y : AAFES(Europe) X : Australia Q : Russia H : Korea M : Other Areas  $\Delta$  indicates safety critical components.

40

\* New Parts  
 Parts without **Parts No.** are not supplied.  
 Les articles non mentionnés dans le **Parts No.** ne sont pas fournis.  
 Teile ohne **Parts No.** werden nicht geliefert.

6

| Ref. No  | Address | New Parts | Parts No.     | Description | Destination | Remarks |
|----------|---------|-----------|---------------|-------------|-------------|---------|
| C23      |         |           | CE04LW1C100M  | ELECTRO     | 10UF        | 16WV    |
| C24      |         |           | CK73FB1H331K  | CHIP C      | 330PF       | K       |
| C25      |         |           | CC73FCH1H181J | CHIP C      | 180PF       | J       |
| C25      |         |           | CC73FCH1H471J | CHIP C      | 470PF       | J       |
| C26      |         |           | CK73FB1H183K  | CHIP C      | 0.018UF     | K       |
| C26      |         |           | CK73FB1H223K  | CHIP C      | 0.022UF     | K       |
| C27      |         |           | CE04HW1E4R7M  | NP-ELEC     | 4.7UF       | 25WV    |
| C28 ,29  |         |           | CE04LW1H2R2M  | ELECTRO     | 2.2UF       | 50WV    |
| C30 ,31  |         |           | CK73FB1H223K  | CHIP C      | 0.022UF     | K       |
| C30 ,31  |         |           | CK73FB1H333K  | CHIP C      | 0.033UF     | K       |
| C30 ,31  |         |           | CK73FB1H333K  | CHIP C      | 0.033UF     | K       |
| C32      |         |           | CE04LW1V4R7M  | ELECTRO     | 4.7UF       | 35WV    |
| C33 ,34  |         |           | CK73FB1H103K  | CHIP C      | 0.010UF     | K       |
| C35      |         |           | CK73FB1H332K  | CHIP C      | 3300PF      | K       |
| C36      |         |           | CK73FB1H103K  | CHIP C      | 0.010UF     | K       |
| C37 ,38  |         |           | CE04LW1C100M  | ELECTRO     | 10UF        | 16WV    |
| C41      |         |           | CC73FCH1H470J | CHIP C      | 47PF        | J       |
| C42      |         |           | CC73FCH1H120J | CHIP C      | 12PF        | J       |
| C43      |         |           | CC73FCH1H100D | CHIP C      | 10PF        | D       |
| C44      |         |           | CK73FB1H471K  | CHIP C      | 470PF       | K       |
| C45      |         |           | CC73FCH1H220J | CHIP C      | 22PF        | J       |
| C46      |         |           | CE04LW1C100M  | ELECTRO     | 10UF        | 16WV    |
| C47      |         |           | CK73FB1H102K  | CHIP C      | 1000PF      | K       |
| C48      |         |           | CE04LW1C470M  | ELECTRO     | 47UF        | 16WV    |
| C49      |         |           | CE04LW1H2R2M  | ELECTRO     | 2.2UF       | 50WV    |
| C50      |         |           | CC73FCH1H101J | CHIP C      | 100PF       | J       |
| C51      |         |           | CK73FB1H471K  | CHIP C      | 470PF       | K       |
| C52      |         |           | CC73FCH1H101J | CHIP C      | 100PF       | J       |
| C70 ,71  |         |           | CK73FB1H682K  | CHIP C      | 6800PF      | K       |
| C72      |         |           | CE04LW1H010M  | ELECTRO     | 1.0UF       | 50WV    |
| C73      |         |           | CE04LW1C470M  | ELECTRO     | 47UF        | 16WV    |
| C74      |         |           | CK73FB1H102K  | CHIP C      | 1000PF      | K       |
| C75      |         |           | CC73FCH1H030C | CHIP C      | 3.0PF       | C       |
| C76      |         |           | CC73FCH1H470J | CHIP C      | 47PF        | J       |
| C77      |         |           | CC73FCH1H101J | CHIP C      | 100PF       | J       |
| C78      |         |           | CK73FB1H223K  | CHIP C      | 0.022UF     | K       |
| C79 ,80  |         |           | CK73FB1H472K  | CHIP C      | 4700PF      | K       |
| C81      |         |           | CK73FF1C105Z  | CHIP C      | 1.0UF       | Z       |
| C82      |         |           | CK73FB1H103K  | CHIP C      | 0.010UF     | K       |
| C82      |         |           | CK73FB1H103K  | CHIP C      | 0.010UF     | K       |
| C83      |         |           | CC73FCH1H101J | CHIP C      | 100PF       | J       |
| C84 ,85  |         |           | CK73FB1H223K  | CHIP C      | 0.022UF     | K       |
| C86      |         |           | CK73FB1H471K  | CHIP C      | 470PF       | K       |
| C88      |         |           | CK73FB1H332K  | CHIP C      | 3300PF      | K       |
| C89 ,90  |         |           | CK73FB1H472K  | CHIP C      | 4700PF      | K       |
| C91      |         |           | CK73FF1C105Z  | CHIP C      | 1.0UF       | Z       |
| C101,102 |         |           | CC73FCH1H390J | CHIP C      | 39PF        | J       |
| C103,104 |         | *         | CE04RW1V100M  | ELECTRO     | 10UF        | 35WV    |
| C105,106 |         |           | CC73FCH1H221J | CHIP C      | 220PF       | J       |
| C107,108 |         |           | CE04RW0J470M  | ELECTRO     | 47UF        | 6.3WV   |
| C109,110 |         |           | CC73FCH1H471J | CHIP C      | 470PF       | J       |
| C111,112 |         |           | Q93FMG1H123J  | MYLAR       | 0.012UF     | J       |
| C113,114 |         |           | CK45FB1H332K  | CERAMIC     | 3300PF      | K       |
| C115,116 |         |           | CE04LW1V4R7M  | ELECTRO     | 4.7UF       | 35WV    |
| C117,118 |         |           | CC45FCH1H101J | CERAMIC     | 100PF       | J       |

L : Scandinavia K : USA P : Canada R : Mexico C : China I : Malaysia  
 Y : PX(Far East,Hawaii) T : England E : Europe G : Germany V : China(Shanghai)  
 Y : AAFES(Europe) X : Australia Q : Russia H : Korea M : Other Areas  $\Delta$  indicates safety critical components.

KRF-V7030D/V8030D/VR-407/409

PARTS LIST

\* New Parts  
Parts without **Parts No.** are not supplied.  
Les articles non mentionnés dans le **Parts No.** ne sont pas fournis.  
Teile ohne **Parts No.** werden nicht geliefert.

7

| Ref. No  | Add-ress | New Parts | Parts No.     | Description | Desti-nation | Re-marks |
|----------|----------|-----------|---------------|-------------|--------------|----------|
| C119-136 |          |           | CC73FCH1H221J | CHIP C      |              |          |
| C137,138 |          |           | CE04LW1H2R2M  | ELECTRO     |              |          |
| C139,140 |          |           | CC73FCH1H101J | CHIP C      |              |          |
| C141,142 |          |           | CE04LW1H2R2M  | ELECTRO     |              |          |
| C143,144 |          |           | CC73FCH1H101J | CHIP C      |              |          |
| C145,146 |          |           | CE04LW1C220M  | ELECTRO     |              |          |
| C147,148 |          |           | CC73FCH1H471J | CHIP C      |              |          |
| C149,150 |          |           | CE04LW1E470M  | ELECTRO     |              |          |
| C151,152 |          |           | CC73FCH1H100D | CHIP C      |              |          |
| C153,154 |          |           | CE04KW1H100M  | ELECTRO     |              |          |
| C155,156 |          |           | CE04KW1H2R2M  | ELECTRO     |              |          |
| C157,158 |          |           | CC73FCH1H102J | CHIP C      |              |          |
| C159,160 |          |           | CK73FB1H222K  | CHIP C      |              |          |
| C161,162 |          |           | CC73FCH1H220J | CHIP C      |              |          |
| C163,164 |          |           | CC73FCH1H102J | CHIP C      |              |          |
| C165,166 |          |           | CE04KW1A101M  | ELECTRO     |              |          |
| C167-170 |          |           | CK73FF1E104Z  | CHIP C      |              |          |
| C171,172 |          |           | CQ93FMG1H472J | MYLAR       |              |          |
| C173,174 |          |           | CC73FCH1H221J | CHIP C      | E            | 3        |
| C173,174 |          |           | CC73FCH1H221J | CHIP C      | MIX          | 8        |
| C173,174 |          |           | CC73FCH1H221J | CHIP C      | Y            | 9        |
| C175,176 |          |           | CC73FCH1H471J | CHIP C      |              |          |
| C177,178 |          |           | CE04LW1E470M  | ELECTRO     |              |          |
| C179,180 |          |           | CC73FCH1H100D | CHIP C      |              |          |
| C181,182 |          |           | CE04KW1H100M  | ELECTRO     |              |          |
| C183,184 |          |           | CE04KW1H2R2M  | ELECTRO     |              |          |
| C185,186 |          |           | CC73FCH1H102J | CHIP C      |              |          |
| C187,188 |          |           | CK73FB1H222K  | CHIP C      |              |          |
| C189,190 |          |           | CC45FCH1H220J | CERAMIC     |              |          |
| C191,192 |          |           | CC73FCH1H102J | CHIP C      |              |          |
| C193,194 |          |           | CE04KW1A101M  | ELECTRO     |              |          |
| C195-198 |          |           | CK73FF1E104Z  | CHIP C      |              |          |
| C199-202 |          |           | CQ93FMG1H472J | MYLAR       |              |          |
| C203,204 |          |           | CC73FCH1H221J | CHIP C      | E            | 3        |
| C203,204 |          |           | CC73FCH1H221J | CHIP C      | MIX          | 8        |
| C203,204 |          |           | CC73FCH1H221J | CHIP C      | Y            | 9        |
| C205     |          |           | CC73FCH1H471J | CHIP C      |              |          |
| C206     |          |           | CE04LW1E470M  | ELECTRO     |              |          |
| C207     |          |           | CC73FCH1H100D | CHIP C      |              |          |
| C208     |          |           | CE04KW1H100M  | ELECTRO     |              |          |
| C209     |          |           | CE04KW1H2R2M  | ELECTRO     |              |          |
| C210     |          |           | CC73FCH1H102J | CHIP C      |              |          |
| C211     |          |           | CK73FB1H222K  | CHIP C      |              |          |
| C212     |          |           | CC45FCH1H220J | CERAMIC     |              |          |
| C213     |          |           | CC73FCH1H102J | CHIP C      |              |          |
| C214     |          |           | CE04KW1A101M  | ELECTRO     |              |          |
| C215,216 |          |           | CK73FF1E104Z  | CHIP C      |              |          |
| C217     |          |           | CQ93FMG1H472J | MYLAR       |              |          |
| C218     |          |           | CC73FCH1H221J | CHIP C      | E            | 3        |
| C218     |          |           | CC73FCH1H221J | CHIP C      | MIX          | 8        |
| C218     |          |           | CC73FCH1H221J | CHIP C      | Y            | 9        |
| C220     |          |           | CC73FCH1H471J | CHIP C      |              |          |
| C221     |          |           | CE04LW1A101M  | ELECTRO     |              |          |
| C222     |          |           | CC73FCH1H101J | CHIP C      |              |          |
| C223     |          |           | CE04LW1H100M  | ELECTRO     |              |          |

L : Scandinavia K : USA P : Canada R : Mexico C : China I : Malaysia  
Y : PX(Far East,Hawaii) T : England E : Europe G : Germany V : China(Shanghai)  
Y : AAFES(Europe) X : Australia Q : Russia H : Korea M : Other Areas  $\Delta$  indicates safety critical components.

\* New Parts  
Parts without **Parts No.** are not supplied.  
Les articles non mentionnés dans le **Parts No.** ne sont pas fournis.  
Teile ohne **Parts No.** werden nicht geliefert.

8

| Ref. No  | Add-ress | New Parts | Parts No.     | Description          | Desti-nation | Re-marks |
|----------|----------|-----------|---------------|----------------------|--------------|----------|
| C224     |          |           | CC73FCH1H221J | CHIP C               |              |          |
| C225,226 |          |           | CK45FF1H103Z  | CERAMIC              |              |          |
| C227-230 |          |           | CC73FCH1H101J | CHIP C               |              |          |
| C231,232 |          | *         | C90-3916-05   | ELECTRO              |              | 75WV     |
| C231,232 |          | *         | C90-3918-05   | ELECTRO              |              | 63WV     |
| C233,234 |          | *         | C90-3917-05   | ELECTRO              |              | 3300UF   |
| C233,234 |          | *         | C90-3919-05   | ELECTRO              |              | 3300UF   |
| C235     |          |           | CE04KW1E222M  | ELECTRO              |              | 2200UF   |
| C236     |          |           | CE04KW1E471M  | ELECTRO              |              | 470UF    |
| C237,238 |          |           | CE04LW1C101M  | ELECTRO              |              | 100UF    |
| C239     |          |           | CE04LW1H220M  | ELECTRO              |              | 22UF     |
| C240     |          |           | CE04LW1V470M  | ELECTRO              |              | 47UF     |
| C241     |          |           | CC45FCH1H101J | CERAMIC              |              | 100PF    |
| C242     |          |           | CK45FF1H103Z  | CERAMIC              |              | 0.010UF  |
| C245     |          |           | CC73FCH1H221J | CHIP C               |              | 220PF    |
| C246     |          |           | CK45FF1H103Z  | CERAMIC              |              | 0.010UF  |
| C247     |          |           | CC73FCH1H101J | CHIP C               |              | 100PF    |
| C248     |          |           | CC73FCH1H221J | CHIP C               |              | 220PF    |
| C250     |          |           | CC73FCH1H102J | CHIP C               |              | 1000PF   |
| C251,252 |          |           | CE04KW2A100M  | ELECTRO              |              | 10UF     |
| C253,254 |          |           | CE04KW2A101M  | ELECTRO              |              | 100UF    |
| C255,256 |          |           | CE04DW1J101M  | ELECTRO              |              | 100UF    |
| C259     |          |           | CE04LW1A101M  | ELECTRO              |              | 100UF    |
| C260     |          |           | CE04LW0J221M  | ELECTRO              |              | 220UF    |
| C261     |          |           | CE04LW1V4R7M  | ELECTRO              |              | 4.7UF    |
| C262     |          |           | CE04LW0J221M  | ELECTRO              |              | 220UF    |
| C263     |          |           | CE04LW1V4R7M  | ELECTRO              |              | 4.7UF    |
| C264     |          |           | CE04LW1H010M  | ELECTRO              |              | 1.0UF    |
| C265-267 |          |           | CC73FCH1H102J | CHIP C               |              | 1000PF   |
| C268     |          |           | CK73FF1C105Z  | CHIP C               |              | 1.0UF    |
| C415     |          |           | CE04LW1H010M  | ELECTRO              |              | 1.0UF    |
| C416,417 |          |           | CE04HW1E100M  | NP-ELEC              |              | 10UF     |
| C601     |          |           | CE04LW1E332M  | ELECTRO              |              | 3300UF   |
| C602     |          |           | CE04LW1H100M  | ELECTRO              |              | 10UF     |
| C603     |          |           | CK45FF1H103Z  | CERAMIC              |              | 0.010UF  |
| C604     |          |           | CE04LW1H100M  | ELECTRO              |              | 10UF     |
| C605     |          |           | CE04LW0J222M  | ELECTRO              |              | 2200UF   |
| C606     |          |           | CK73FB1E104K  | CHIP C               |              | 0.10UF   |
| C606     |          |           | CK73FB1E104K  | CHIP C               |              | 0.10UF   |
| C606     |          |           | CK73FB1H683K  | CHIP C               |              | 0.068UF  |
| CN1      |          |           | E40-8364-05   | PIN ASSY             |              |          |
| CN2      |          |           | E40-8197-05   | SOCKET FOR PIN ASSY  |              |          |
| CN3      |          | *         | E40-8485-05   | FLAT CABLE CONNECTOR |              |          |
| CN4      |          |           | E40-4871-05   | PIN ASSY             |              |          |
| CN4      |          |           | E40-4871-05   | PIN ASSY             |              |          |
| CN5      |          |           | E40-9831-05   | SOCKET FOR PIN ASSY  |              |          |
| CN6      |          |           | E40-9848-05   | PIN ASSY             |              |          |
| CN7      |          | *         | E40-8490-05   | FLAT CABLE CONNECTOR |              |          |
| CN61     |          |           | E40-4245-05   | PIN ASSY             |              |          |
| CN62     |          |           | E40-4245-05   | PIN ASSY             |              |          |
| CN62     |          |           | E40-4245-05   | PIN ASSY             |              |          |
| CN63     |          |           | E40-4428-05   | PIN ASSY             |              |          |
| CN64     |          |           | E40-4245-05   | PIN ASSY             |              |          |
| CN64     |          |           | E40-4245-05   | PIN ASSY             |              |          |
| CN64     |          |           | E40-4245-05   | PIN ASSY             |              |          |
| CN65     |          |           | E40-8196-05   | PIN ASSY             |              |          |

L : Scandinavia K : USA P : Canada R : Mexico C : China I : Malaysia  
Y : PX(Far East,Hawaii) T : England E : Europe G : Germany V : China(Shanghai)  
Y : AAFES(Europe) X : Australia Q : Russia H : Korea M : Other Areas  $\Delta$  indicates safety critical components.

KRF-V7030D/V8030D/VR-407/409  
PARTS LIST

\* New Parts  
Parts without **Parts No.** are not supplied.  
Les articles non mentionnés dans le **Parts No.** ne sont pas fournis.  
Teile ohne **Parts No.** werden nicht geliefert.

9

| Ref. No   | Add-ress | New Parts | Parts No.    | Description                  | Desti-nation | Re-marks |
|-----------|----------|-----------|--------------|------------------------------|--------------|----------|
| J1        |          |           | E70-0049-05  | SCREW TERMINAL BOARD         |              |          |
| J2        |          |           | E70-0065-05  | LOCK TERMINAL BOARD          |              |          |
| J3 ,4     |          | *         | E63-1143-05  | PIN JACK                     |              |          |
| J5        |          | *         | E63-1144-05  | PIN JACK                     |              |          |
| J6        |          | *         | E63-1145-05  | PIN JACK (6P)                | YMIXE        |          |
| J7        |          | *         | E63-1146-05  | PIN JACK (1P)                | EE1T         |          |
| J7        |          | *         | E63-1146-05  | PIN JACK                     | KP           | 9        |
| J7        |          | *         | E63-1146-05  | PIN JACK                     |              | 7        |
| J8        |          |           | E20-0321-05  | LOCK TERMINAL BOARD(2P,F)    |              |          |
| J8        |          |           | E70-0052-05  | LOCK TERMINAL BOARD          |              |          |
| Δ J61     |          |           | E03-0148-05  | AC OUTLET                    | KPK1Y        |          |
| Δ J61     |          |           | E03-0149-05  | AC OUTLET                    | EE1MI        |          |
| Δ J61     |          |           | E03-0310-05  | AC OUTLET                    | T            |          |
| Δ J61     |          |           | E03-0325-05  | AC OUTLET                    | X            |          |
| E1        |          |           | F10-1129-14  | SHIELDING PLATE              |              | 789      |
| E1        |          | *         | F10-1167-04  | SHIELDING PLATE              | EE1T         |          |
| Δ F1      |          |           | F05-3121-05  | FUSE (SEMKO) (250V T3.15AL)  | EE1T         |          |
| Δ F1      |          |           | F05-3121-05  | FUSE (SEMKO) (250V T3.15AL)  | YMIX         |          |
| Δ F1      |          |           | F50-0077-05  | FUSE(5X20)                   | KPK1         |          |
| Δ F2      |          |           | F05-2525-05  | FUSE (SEMKO) (250V T2.5AL)   | EE1          |          |
| Δ CN66,67 |          |           | J13-0075-05  | FUSE CLIP                    | EE1          |          |
| Δ CN68,69 |          |           | J13-0075-05  | FUSE CLIP                    | EE1          |          |
| CF1 ,2    |          |           | L72-0531-05  | CERAMIC FILTER               | YMIX         |          |
| CF1 ,2    |          |           | L72-0536-05  | CERAMIC FILTER               | EE1T         |          |
| CF1 ,2    |          |           | L72-0596-05  | CERAMIC FILTER               | KPK1         |          |
| CF3       |          |           | L72-0607-05  | CERAMIC FILTER               | YMIX         |          |
| L1        |          | *         | L39-1384-05  | COMBINATION COIL             |              |          |
| L2        |          |           | L40-1091-82  | SMALL FIXED INDUCTOR(1.0UH)  |              |          |
| L3        |          |           | L30-0911-05  | AM IFT                       |              |          |
| L4        |          |           | L30-0933-05  | FM IFT                       | KPK1         |          |
| L4        |          |           | L30-0950-05  | FM IFT                       | EE1T         |          |
| L5        |          |           | L30-0951-05  | FM IFT                       | EE1T         |          |
| L6 ,7     |          |           | L79-1236-05  | LC FILTER                    | EE1T         |          |
| L8        |          |           | L40-1001-17  | SMALL FIXED INDUCTOR(10UH,K) | EE1T         |          |
| L101-105  |          |           | L39-1373-05  | PHASE COMPENSATION COIL      |              |          |
| Δ T1      |          |           | L07-2758-05  | POWER TRANSFORMER            | EE1T         |          |
| Δ T1      |          |           | L07-2758-05  | POWER TRANSFORMER            | KPK1X        |          |
| Δ T1      |          |           | L07-2761-05  | POWER TRANSFORMER            | EE1T         |          |
| Δ T1      |          |           | L07-2761-05  | POWER TRANSFORMER            | KPK1X        |          |
| Δ T1      |          | *         | L07-2805-05  | POWER TRANSFORMER            | YMI          |          |
| X1        |          |           | L77-2232-05  | CRYSTAL RESONATOR            |              |          |
| R1        |          |           | RK73FB2A101J | CHIP R 100 J 1/10W           |              |          |
| R4        |          |           | RK73FB2A681J | CHIP R 680 J 1/10W           |              |          |
| R5        |          |           | RK73FB2A332J | CHIP R 3.3K J 1/10W          |              |          |
| R6        |          |           | RK73FB2A221J | CHIP R 220 J 1/10W           |              |          |
| R7        |          |           | RK73FB2A821J | CHIP R 820 J 1/10W           |              |          |
| R8        |          |           | RK73FB2A100J | CHIP R 10 J 1/10W            | EE1T         |          |
| R8        |          |           | RK73FB2A330J | CHIP R 33 J 1/10W            |              | 789      |
| R9        |          |           | RK73FB2A391J | CHIP R 390 J 1/10W           |              |          |
| R10       |          |           | RK73FB2A102J | CHIP R 1.0K J 1/10W          |              |          |
| R11       |          |           | RK73FB2A220J | CHIP R 22 J 1/10W            | EE1T         |          |

L : Scandinavia K : USA P : Canada R : Mexico C : China I : Malaysia  
Y : PX(Far East,Hawaii) T : England E : Europe G : Germany V : China(Shanghai)  
Y : AAFES(Europe) X : Australia Q : Russia H : Korea M : Other Areas Δ indicates safety critical components .

\* New Parts  
Parts without **Parts No.** are not supplied.  
Les articles non mentionnés dans le **Parts No.** ne sont pas fournis.  
Teile ohne **Parts No.** werden nicht geliefert.

10

| Ref. No | Add-ress | New Parts | Parts No.    | Description         | Desti-nation | Re-marks |
|---------|----------|-----------|--------------|---------------------|--------------|----------|
| R11     |          |           | RK73FB2A330J | CHIP R 33 J 1/10W   |              | 789      |
| R12     |          |           | RK73FB2A101J | CHIP R 100 J 1/10W  |              |          |
| R14     |          |           | RK73FB2A101J | CHIP R 100 J 1/10W  | EE1T         |          |
| R14     |          |           | RK73FB2A101J | CHIP R 100 J 1/10W  | KPK1         |          |
| R14     |          |           | RK73FB2A271J | CHIP R 270 J 1/10W  | YMIX         |          |
| R15     |          |           | RK73FB2A333J | CHIP R 33K J 1/10W  | EE1T         |          |
| R15     |          |           | RK73FB2A472J | CHIP R 4.7K J 1/10W | KPK1         |          |
| R16     |          |           | RK73FB2A220J | CHIP R 22 J 1/10W   |              |          |
| R17     |          |           | RK73FB2A362J | CHIP R 3.6K J 1/10W |              |          |
| R18     |          |           | RK73FB2A302J | CHIP R 3.0K J 1/10W |              |          |
| R19     |          |           | RK73FB2A822J | CHIP R 8.2K J 1/10W |              |          |
| R20     |          |           | RK73FB2A392J | CHIP R 3.9K J 1/10W |              |          |
| R23     |          |           | RK73FB2A153J | CHIP R 15K J 1/10W  | EE1T         |          |
| R23     |          |           | RK73FB2A332J | CHIP R 3.3K J 1/10W | YMIX         |          |
| R23     |          |           | RK73FB2A912J | CHIP R 9.1K J 1/10W | KPK1         |          |
| R25     |          |           | RK73FB2A163J | CHIP R 16K J 1/10W  | KPK1         |          |
| R25     |          |           | RK73FB2A183J | CHIP R 18K J 1/10W  | YMIX         |          |
| R25     |          |           | RK73FB2A273J | CHIP R 27K J 1/10W  | EE1T         |          |
| R27 ,28 |          |           | RK73FB2A432J | CHIP R 4.3K J 1/10W | EE1T         |          |
| R27 ,28 |          |           | RK73FB2A682J | CHIP R 6.8K J 1/10W | KPK1         |          |
| R27 ,28 |          |           | RK73FB2A752J | CHIP R 7.5K J 1/10W | YMIX         |          |
| R29     |          |           | RK73FB2A101J | CHIP R 100 J 1/10W  | YMI          |          |
| R30     |          |           | RK73FB2A561J | CHIP R 560 J 1/10W  | YMI          |          |
| R31     |          |           | RK73FB2A473J | CHIP R 47K J 1/10W  | YMI          |          |
| R32     |          |           | RK73FB2A272J | CHIP R 2.7K J 1/10W |              | 789      |
| R33 ,34 |          |           | RK73FB2A102J | CHIP R 1.0K J 1/10W |              |          |
| R35     |          |           | RK73FB2A101J | CHIP R 100 J 1/10W  | EE1T         |          |
| R36     |          |           | RK73FB2A102J | CHIP R 1.0K J 1/10W | EE1T         |          |
| R37     |          |           | RK73FB2A392J | CHIP R 3.9K J 1/10W | EE1T         |          |
| R38     |          |           | RK73FB2A102J | CHIP R 1.0K J 1/10W | EE1T         |          |
| R39     |          |           | RK73FB2A103J | CHIP R 10K J 1/10W  | EE1T         |          |
| R42     |          |           | RK73FB2A103J | CHIP R 10K J 1/10W  |              |          |
| R43     |          |           | RK73FB2A221J | CHIP R 220 J 1/10W  |              |          |
| Δ R44   |          |           | RD14NB2E271J | RD 270 J 1/4W       |              |          |
| Δ R45   |          |           | RK73EB2B102J | CHIP R 1.0K J 1/8W  |              |          |
| R46     |          |           | RK73FB2A102J | CHIP R 1.0K J 1/10W |              |          |
| R47     |          |           | RK73EB2B102J | CHIP R 1.0K J 1/8W  |              |          |
| R48     |          |           | RK73FB2A102J | CHIP R 1.0K J 1/10W |              |          |
| R49     |          |           | RK73FB2A103J | CHIP R 10K J 1/10W  |              |          |
| Δ R50   |          |           | RD14NB2E471J | RD 470 J 1/4W       |              |          |
| R51     |          |           | RK73FB2A562J | CHIP R 5.6K J 1/10W |              |          |
| R52     |          |           | RK73FB2A101J | CHIP R 100 J 1/10W  |              |          |
| R53     |          |           | RK73FB2A222J | CHIP R 2.2K J 1/10W |              |          |
| R54     |          |           | RK73FB2A102J | CHIP R 1.0K J 1/10W |              |          |
| R55     |          |           | RK73FB2A333J | CHIP R 33K J 1/10W  |              |          |
| R56 ,57 |          |           | RK73FB2A102J | CHIP R 1.0K J 1/10W |              |          |
| R58     |          |           | RK73FB2A123J | CHIP R 12K J 1/10W  |              |          |
| R59     |          |           | RK73FB2A122J | CHIP R 1.2K J 1/10W |              |          |
| R72 ,73 |          |           | RK73FB2A153J | CHIP R 15K J 1/10W  | KPK1         |          |
| R72 ,73 |          |           | RK73FB2A392J | CHIP R 3.9K J 1/10W | EE1T         |          |
| R72 ,73 |          |           | RK73FB2A822J | CHIP R 8.2K J 1/10W | YMIX         |          |
| R74     |          |           | RK73FB2A473J | CHIP R 47K J 1/10W  |              |          |
| R75     |          |           | RK73FB2A822J | CHIP R 8.2K J 1/10W |              |          |
| R76     |          |           | RK73FB2A182J | CHIP R 1.8K J 1/10W |              |          |
| R78     |          |           | RK73FB2A821J | CHIP R 820 J 1/10W  |              |          |

L : Scandinavia K : USA P : Canada R : Mexico C : China I : Malaysia  
Y : PX(Far East,Hawaii) T : England E : Europe G : Germany V : China(Shanghai)  
Y : AAFES(Europe) X : Australia Q : Russia H : Korea M : Other Areas Δ indicates safety critical components .

\* New Parts  
 Parts without **Parts No.** are not supplied.  
 Les articles non mentionnés dans le **Parts No.** ne sont pas fournis.  
 Teile ohne **Parts No.** werden nicht geliefert.



| Ref. No  | Add-ress | New Parts | Parts No.    | Description           | Desti-nation | Re-marks |
|----------|----------|-----------|--------------|-----------------------|--------------|----------|
| R79      |          |           | RK73FB2A102J | CHIP R 1.0K J 1/10W   |              |          |
| R80      |          |           | RK73FB2A223J | CHIP R 22K J 1/10W    | EE1T         |          |
| R81      |          |           | RS14KB3A820J | FL-PROOF RS 82 J 1W   |              |          |
| R82      |          |           | RK73FB2A272J | CHIP R 2.7K J 1/10W   | EE1T         |          |
| R83      |          |           | RK73FB2A102J | CHIP R 1.0K J 1/10W   |              |          |
| R84      |          |           | RK73EB2B102J | CHIP R 1.0K J 1/8W    |              |          |
| R85-87   |          |           | RK73FB2A105J | CHIP R 1.0M J 1/10W   |              |          |
| R88      |          |           | RK73FB2A563J | CHIP R 56K J 1/10W    |              |          |
| R89      |          |           | RK73FB2A333J | CHIP R 33K J 1/10W    |              |          |
| R101,102 |          |           | RK73FB2A102J | CHIP R 1.0K J 1/10W   |              |          |
| R103,104 |          |           | RK73FB2A273J | CHIP R 27K J 1/10W    |              |          |
| R105,106 |          |           | RK73FB2A101J | CHIP R 100 J 1/10W    |              |          |
| R117,118 |          |           | RK73FB2A102J | CHIP R 1.0K J 1/10W   |              |          |
| R119,120 |          |           | RK73FB2A224J | CHIP R 220K J 1/10W   |              |          |
| R121,122 |          |           | RK73FB2A102J | CHIP R 1.0K J 1/10W   |              |          |
| R123,124 |          |           | RK73FB2A224J | CHIP R 220K J 1/10W   |              |          |
| R125,126 |          |           | RK73FB2A102J | CHIP R 1.0K J 1/10W   |              |          |
| R127,128 |          |           | RK73FB2A224J | CHIP R 220K J 1/10W   |              |          |
| R129,130 |          |           | RK73FB2A102J | CHIP R 1.0K J 1/10W   |              |          |
| R131,132 |          |           | RK73FB2A224J | CHIP R 220K J 1/10W   |              |          |
| R133,134 |          |           | RK73FB2A102J | CHIP R 1.0K J 1/10W   |              |          |
| R135,136 |          |           | RK73FB2A224J | CHIP R 220K J 1/10W   |              |          |
| R137,138 |          |           | RK73FB2A102J | CHIP R 1.0K J 1/10W   |              |          |
| R139,140 |          |           | RK73FB2A224J | CHIP R 220K J 1/10W   |              |          |
| R141,142 |          |           | RK73FB2A102J | CHIP R 1.0K J 1/10W   |              |          |
| R143,144 |          |           | RK73FB2A224J | CHIP R 220K J 1/10W   |              |          |
| R145,146 |          |           | RK73FB2A102J | CHIP R 1.0K J 1/10W   |              |          |
| R147,148 |          |           | RK73FB2A224J | CHIP R 220K J 1/10W   |              |          |
| R149,150 |          |           | RK73FB2A102J | CHIP R 1.0K J 1/10W   |              |          |
| R151-156 |          |           | RK73FB2A224J | CHIP R 220K J 1/10W   |              |          |
| R159     |          |           | RK73FB2A562J | CHIP R 5.6K J 1/10W   |              |          |
| R161,162 |          |           | RK73FB2A302J | CHIP R 3.0K J 1/10W   |              |          |
| R163,164 |          |           | RK73FB2A682J | CHIP R 6.8K J 1/10W   |              |          |
| R165,166 |          |           | RK73FB2A183J | CHIP R 18K J 1/10W    |              |          |
| R167,168 |          |           | RK73FB2A182J | CHIP R 1.8K J 1/10W   |              |          |
| R169,170 |          |           | RK73FB2A224J | CHIP R 220K J 1/10W   |              |          |
| R171,172 |          |           | RK73FB2A183J | CHIP R 18K J 1/10W    |              |          |
| R173,174 |          |           | RK73FB2A222J | CHIP R 2.2K J 1/10W   |              |          |
| R175,176 |          |           | RK73FB2A104J | CHIP R 100K J 1/10W   |              |          |
| R177,178 |          |           | RK73FB2A563J | CHIP R 56K J 1/10W    |              |          |
| R179     |          |           | RK73FB2A102J | CHIP R 1.0K J 1/10W   |              |          |
| R180     |          |           | RK73EB2B102J | CHIP R 1.0K J 1/8W    |              |          |
| R181-184 |          |           | RS14KB3DR22J | FL-PROOF RS 0.22 J 2W |              |          |
| R185,186 |          |           | RK73FB2A563J | CHIP R 56K J 1/10W    |              |          |
| R187,188 |          |           | RK73FB2A182J | CHIP R 1.8K J 1/10W   |              | 789      |
| R187,188 |          |           | RK73FB2A242J | CHIP R 2.4K J 1/10W   | EE1T         |          |
| R189,190 |          |           | RS14KB3D120J | FL-PROOF RS 12 J 2W   |              |          |
| R191,192 |          |           | RS14KB3D391J | FL-PROOF RS 390 J 2W  |              |          |
| R195,196 |          |           | RK73FB2A104J | CHIP R 100K J 1/10W   | E            | 3        |
| R195,196 |          |           | RK73FB2A104J | CHIP R 100K J 1/10W   | MIX          | 8        |
| R195,196 |          |           | RK73FB2A104J | CHIP R 100K J 1/10W   | Y            | 9        |
| R197,198 |          |           | RK73FB2A331J | CHIP R 330 J 1/10W    | E            | 3        |
| R197,198 |          |           | RK73FB2A331J | CHIP R 330 J 1/10W    | YMIX         |          |
| R199,200 |          |           | RK73FB2A333J | CHIP R 33K J 1/10W    |              |          |
| R201,202 |          |           | RK73FB2A303J | CHIP R 30K J 1/10W    |              |          |

L : Scandinavia K : USA P : Canada R : Mexico C : China I : Malaysia  
 Y : PX(Far East,Hawaii) T : England E : Europe G : Germany V : China(Shanghai)  
 Y : AAFES(Europe) X : Australia Q : Russia H : Korea M : Other Areas  $\Delta$  indicates safety critical components.

\* New Parts  
 Parts without **Parts No.** are not supplied.  
 Les articles non mentionnés dans le **Parts No.** ne sont pas fournis.  
 Teile ohne **Parts No.** werden nicht geliefert.



| Ref. No  | Add-ress | New Parts | Parts No.    | Description            | Desti-nation | Re-marks |
|----------|----------|-----------|--------------|------------------------|--------------|----------|
| R203,204 |          |           | RK73FB2A912J | CHIP R 9.1K J 1/10W    |              |          |
| R205,206 |          |           | RK73FB2A471J | CHIP R 470 J 1/10W     |              |          |
| R209,210 |          |           | RK73FB2A102J | CHIP R 1.0K J 1/10W    |              |          |
| R211,212 |          |           | RK73FB2A273J | CHIP R 27K J 1/10W     |              |          |
| R213,214 |          |           | RK73FB2A182J | CHIP R 1.8K J 1/10W    |              |          |
| R215,216 |          |           | RK73FB2A224J | CHIP R 220K J 1/10W    |              |          |
| R217,218 |          |           | RK73FB2A183J | CHIP R 18K J 1/10W     |              |          |
| R219,220 |          |           | RK73EB2B222J | CHIP R 2.2K J 1/8W     |              |          |
| R221,222 |          |           | RK73FB2A104J | CHIP R 100K J 1/10W    |              |          |
| R223,224 |          |           | RK73FB2A563J | CHIP R 56K J 1/10W     |              |          |
| R225     |          |           | RK73FB2A102J | CHIP R 1.0K J 1/10W    |              |          |
| R227-230 |          |           | RS14KB3DR22J | FL-PROOF RS 0.22 J 2W  |              |          |
| R233,234 |          |           | RK73FB2A182J | CHIP R 1.8K J 1/10W    | EE1T         | 789      |
| R233,234 |          |           | RK73FB2A242J | CHIP R 2.4K J 1/10W    |              |          |
| R235,236 |          |           | RS14KB3D120J | FL-PROOF RS 12 J 2W    |              |          |
| R239,240 |          |           | RK73FB2A104J | CHIP R 100K J 1/10W    | E            | 3        |
| R239,240 |          |           | RK73FB2A104J | CHIP R 100K J 1/10W    | MIX          | 8        |
| R239,240 |          |           | RK73FB2A104J | CHIP R 100K J 1/10W    | Y            | 9        |
| R241,242 |          |           | RK73FB2A331J | CHIP R 330 J 1/10W     | E            | 3        |
| R241,242 |          |           | RK73FB2A331J | CHIP R 330 J 1/10W     | MIX          | 8        |
| R241,242 |          |           | RK73FB2A331J | CHIP R 330 J 1/10W     | Y            | 9        |
| R243,244 |          |           | RK73FB2A333J | CHIP R 33K J 1/10W     |              |          |
| R245,246 |          |           | RK73FB2A303J | CHIP R 30K J 1/10W     |              |          |
| R247,248 |          |           | RK73FB2A912J | CHIP R 9.1K J 1/10W    |              |          |
| R249,250 |          |           | RK73FB2A471J | CHIP R 470 J 1/10W     |              |          |
| R251     |          |           | RK73FB2A183J | CHIP R 18K J 1/10W     |              |          |
| R252     |          |           | RK73FB2A182J | CHIP R 1.8K J 1/10W    |              |          |
| R253     |          |           | RK73FB2A224J | CHIP R 220K J 1/10W    |              |          |
| R254     |          |           | RK73FB2A183J | CHIP R 18K J 1/10W     |              |          |
| R256     |          |           | RK73FB2A104J | CHIP R 100K J 1/10W    |              |          |
| R257     |          |           | RK73FB2A563J | CHIP R 56K J 1/10W     |              |          |
| R259,260 |          |           | RS14KB3DR22J | FL-PROOF RS 0.22 J 2W  |              |          |
| R262     |          |           | RK73FB2A182J | CHIP R 1.8K J 1/10W    | EE1T         | 789      |
| R262     |          |           | RK73FB2A242J | CHIP R 2.4K J 1/10W    |              |          |
| R263     |          |           | RS14KB3D120J | FL-PROOF RS 12 J 2W    |              |          |
| R265     |          |           | RK73FB2A104J | CHIP R 100K J 1/10W    | E            | 3        |
| R265     |          |           | RK73FB2A104J | CHIP R 100K J 1/10W    | MIX          | 8        |
| R265     |          |           | RK73FB2A104J | CHIP R 100K J 1/10W    | Y            | 9        |
| R266     |          |           | RK73FB2A331J | CHIP R 330 J 1/10W     | E            | 3        |
| R266     |          |           | RK73FB2A331J | CHIP R 330 J 1/10W     | MIX          | 8        |
| R266     |          |           | RK73FB2A331J | CHIP R 330 J 1/10W     | Y            | 9        |
| R266     |          |           | RK73FB2A303J | CHIP R 30K J 1/10W     |              |          |
| R268     |          |           | RK73FB2A912J | CHIP R 9.1K J 1/10W    |              |          |
| R269     |          |           | RK73FB2A471J | CHIP R 470 J 1/10W     |              |          |
| R270     |          |           | RK73FB2A333J | CHIP R 33K J 1/10W     |              |          |
| R271     |          |           | RK73FB2A183J | CHIP R 18K J 1/10W     |              |          |
| R272     |          |           | RK73FB2A241J | CHIP R 240 J 1/10W     |              |          |
| R273     |          |           | RK73FB2A332J | CHIP R 3.3K J 1/10W    |              |          |
| R274     |          |           | RK73FB2A183J | CHIP R 18K J 1/10W     |              |          |
| R276     |          |           | RK73FB2A224J | CHIP R 220K J 1/10W    |              |          |
| R277     |          |           | RK73FB2A331J | CHIP R 330 J 1/10W     |              |          |
| R278     |          |           | RK73FB2A102J | CHIP R 1.0K J 1/10W    |              |          |
| R279,280 |          | *         | R92-1956-05  | METAL GLAZE 33K J 1/4W |              |          |
| R281     |          | *         | R92-1945-05  | METAL GLAZE 1 J 1/4W   |              |          |
| R283     |          |           | RK73FB2A1R0J | CHIP R 1 J 1/10W       |              |          |



L : Scandinavia K : USA P : Canada R : Mexico C : China I : Malaysia  
 Y : PX(Far East,Hawaii) T : England E : Europe G : Germany V : China(Shanghai)  
 Y : AAFES(Europe) X : Australia Q : Russia H : Korea M : Other Areas  $\Delta$  indicates safety critical components.

PARTS LIST

KRF-V7030D/V8030D/MR-407/409

\* New Parts  
Parts without **Parts No.** are not supplied.  
Les articles non mentionnés dans le **Parts No.** ne sont pas fournis.  
Teile ohne **Parts No.** werden nicht geliefert.

15

| Ref. No    | Add-ress | New Parts | Parts No.    | Description           | Desti-nation | Re-marks |
|------------|----------|-----------|--------------|-----------------------|--------------|----------|
| Δ R284     |          | *         | RK73FB2A104J | CHIP R 100K J 1/10W   |              |          |
| R285       |          |           | R92-1945-05  | METAL GLAZE 1 J 1/4W  |              |          |
| R287       |          |           | RK73EB2B101J | CHIP R 100 J 1/8W     |              |          |
| R301,302   |          |           | RK73FB2A513J | CHIP R 51K J 1/10W    |              |          |
| R303-306   |          |           | RS14KB3A392J | FL-PROOF RS 3.9K J 1W |              |          |
| R307       |          |           | RK73EB2B273J | CHIP R 27K J 1/8W     |              |          |
| R308       |          |           | RK73FB2A273J | CHIP R 27K J 1/10W    |              |          |
| Δ R309,310 |          |           | RK73FB2A1R0J | CHIP R 1 J 1/10W      |              |          |
| R312       |          |           | RD14NB2E103J | RD 10K J 1/4W         |              |          |
| R313,314   |          |           | RK73FB2A473J | CHIP R 47K J 1/10W    |              |          |
| R315       |          |           | RK73FB2A1R0J | CHIP R 1 J 1/10W      |              |          |
| R316       |          |           | RD14NB2E101J | RD 100 J 1/4W         |              |          |
| R317       |          |           | RD14BB2C752J | RD 7.5K J 1/6W        |              |          |
| R320       |          |           | RK73FB2A103J | CHIP R 10K J 1/10W    |              |          |
| R323       |          |           | RK73FB2A393J | CHIP R 39K J 1/10W    |              |          |
| R324,325   |          |           | RK73FB2A753J | CHIP R 75K J 1/10W    |              |          |
| R326-328   |          |           | RK73FB2A473J | CHIP R 47K J 1/10W    |              |          |
| R329       |          |           | RK73FB2A123J | CHIP R 12K J 1/10W    |              |          |
| R330       |          |           | RK73FB2A153J | CHIP R 15K J 1/10W    |              |          |
| R331       |          |           | RK73FB2A332J | CHIP R 3.3K J 1/10W   |              |          |
| R332       |          |           | RK73FB2A682J | CHIP R 6.8K J 1/10W   |              |          |
| R333       |          |           | RK73FB2A223J | CHIP R 22K J 1/10W    |              |          |
| R334       |          |           | RK73FB2A123J | CHIP R 12K J 1/10W    |              |          |
| R335       |          |           | RK73FB2A153J | CHIP R 15K J 1/10W    |              |          |
| R336       |          |           | RK73FB2A332J | CHIP R 3.3K J 1/10W   |              |          |
| R337       |          |           | RK73FB2A682J | CHIP R 6.8K J 1/10W   |              |          |
| Δ R339,340 |          | *         | RK73FB2A472J | CHIP R 4.7K J 1/10W   |              |          |
| R341       |          |           | R92-1945-05  | METAL GLAZE 1 J 1/4W  |              |          |
| R342-344   |          |           | RS14KB3A151J | FL-PROOF RS 150 J 1W  |              |          |
| R347       |          |           | RS14KB3D4R7J | FL-PROOF RS 4.7 J 2W  |              |          |
| R349       |          |           | RS14KB3A4R7J | FL-PROOF RS 4.7 J 1W  |              |          |
| Δ R350     |          |           | RK73FB2A1R0J | CHIP R 1 J 1/10W      |              |          |
| R351       |          |           | RK73FB2A103J | CHIP R 10K J 1/10W    |              |          |
| R352       |          |           | RK73FB2A223J | CHIP R 22K J 1/10W    |              |          |
| R353       |          |           | RK73FB2A102J | CHIP R 1.0K J 1/10W   |              |          |
| R356-358   |          |           | RK73FB2A103J | CHIP R 10K J 1/10W    |              |          |
| R360       |          |           | RK73FB2A103J | CHIP R 10K J 1/10W    |              |          |
| R361,362   |          |           | RK73FB2A473J | CHIP R 47K J 1/10W    |              |          |
| R363       |          |           | RK73FB2A361J | CHIP R 360 J 1/10W    |              |          |
| R365-369   |          |           | RK73FB2A102J | CHIP R 1.0K J 1/10W   | E            | 3        |
| R365-369   |          |           | RK73FB2A102J | CHIP R 1.0K J 1/10W   | MIX          | 8        |
| R365-369   |          |           | RK73FB2A102J | CHIP R 1.0K J 1/10W   | Y            | 9        |
| R370       |          |           | RK73FB2A102J | CHIP R 1.0K J 1/10W   |              |          |
| R371       |          |           | RK73FB2A563J | CHIP R 56K J 1/10W    |              |          |
| R372       |          |           | RK73FB2A104J | CHIP R 100K J 1/10W   |              |          |
| R373       |          |           | RK73FB2A361J | CHIP R 360 J 1/10W    |              |          |
| R375       |          |           | RK73FB2A102J | CHIP R 1.0K J 1/10W   |              |          |
| R377,378   |          |           | RK73FB2A102J | CHIP R 1.0K J 1/10W   |              |          |
| R384       |          |           | RK73EB2B102J | CHIP R 1.0K J 1/8W    |              |          |
| R387,388   |          |           | RK73FB2A473J | CHIP R 47K J 1/10W    |              |          |
| R389       |          |           | RK73FB2A472J | CHIP R 4.7K J 1/10W   |              |          |
| R390       |          |           | RK73FB2A473J | CHIP R 47K J 1/10W    |              |          |
| R391-394   |          |           | RK73FB2A470J | CHIP R 47 J 1/10W     |              |          |
| Δ R397-399 |          |           | RD14NB2E1R0J | RD 1 J 1/4W           |              |          |
| Δ R601     |          |           | RD14NB2E1R0J | RD 1 J 1/4W           |              |          |

L : Scandinavia K : USA P : Canada R : Mexico C : China I : Malaysia  
Y : PX(Far East,Hawaii) T : England E : Europe G : Germany V : China(Shanghai)  
Y : AAFES(Europe) X : Australia Q : Russia H : Korea M : Other Areas Δ indicates safety critical components.

\* New Parts  
Parts without **Parts No.** are not supplied.  
Les articles non mentionnés dans le **Parts No.** ne sont pas fournis.  
Teile ohne **Parts No.** werden nicht geliefert.

17

| Ref. No  | Add-ress | New Parts | Parts No.    | Description                  | Desti-nation | Re-marks |
|----------|----------|-----------|--------------|------------------------------|--------------|----------|
| R604     |          |           | RD14NB2E100J | RD 10 J 1/4W                 |              | KPK1     |
| R604     |          |           | RD14NB2E390J | RD 39 J 1/4W                 |              | EE1T     |
| R604     |          |           | RD14NB2E390J | RD 39 J 1/4W                 |              | X        |
| R609     |          |           | RD14NB2E151J | RD 150 J 1/4W                |              | EE1T     |
| R609     |          |           | RD14NB2E181J | RD 180 J 1/4W                |              | X        |
| R609     |          |           | RD14NB2E2R2J | RD 2.2 J 1/4W                |              | YMI      |
| R609     |          |           | RD14NB2E270J | RD 27 J 1/4W                 |              | KPK1     |
| Δ R610   |          |           | R92-1844-05  | CARBON 3.3M J 1/2W           |              | KPK1     |
| VR1      |          |           | R32-0037-05  | SEMI FIXED VARIABLE RESISTOR |              |          |
| W108     |          |           | R92-0670-05  | CHIP R 0 OHM                 |              |          |
| W301     |          |           | R92-0679-05  | CHIP R 0 OHM                 |              |          |
| W302     |          |           | R92-0670-05  | CHIP R 0 OHM                 |              |          |
| W303-306 |          |           | R92-0679-05  | CHIP R 0 OHM                 |              |          |
| W307     |          |           | R92-0670-05  | CHIP R 0 OHM                 |              |          |
| W308     |          |           | R92-0679-05  | CHIP R 0 OHM                 |              |          |
| W309-311 |          |           | R92-0670-05  | CHIP R 0 OHM                 |              |          |
| W312     |          |           | R92-0679-05  | CHIP R 0 OHM                 |              |          |
| W313     |          |           | R92-0670-05  | CHIP R 0 OHM                 |              |          |
| W315-318 |          |           | R92-0679-05  | CHIP R 0 OHM                 |              |          |
| W319,320 |          |           | R92-0670-05  | CHIP R 0 OHM                 |              |          |
| W321     |          |           | R92-0679-05  | CHIP R 0 OHM                 |              |          |
| W322,323 |          |           | R92-0670-05  | CHIP R 0 OHM                 |              |          |
| W324-333 |          |           | R92-0679-05  | CHIP R 0 OHM                 |              |          |
| W336     |          |           | R92-0679-05  | CHIP R 0 OHM                 |              |          |
| W338,339 |          |           | R92-0670-05  | CHIP R 0 OHM                 |              |          |
| W340,341 |          |           | R92-0679-05  | CHIP R 0 OHM                 |              |          |
| W342,343 |          |           | R92-0670-05  | CHIP R 0 OHM                 |              |          |
| W506     |          |           | R92-0679-05  | CHIP R 0 OHM                 |              |          |
| W513,514 |          |           | R92-0679-05  | CHIP R 0 OHM                 |              |          |
| W523     |          |           | R92-0679-05  | CHIP R 0 OHM                 |              |          |
| W651-655 |          |           | R92-0670-05  | CHIP R 0 OHM                 |              |          |
| W656     |          |           | R92-0670-05  | CHIP R 0 OHM                 |              |          |
| W659     |          |           | R92-0670-05  | CHIP R 0 OHM                 |              | YMI      |
| W660     |          |           | R92-0670-05  | CHIP R 0 OHM                 |              | EE1T     |
| W662     |          |           | R92-0670-05  | CHIP R 0 OHM                 |              |          |
| W680     |          |           | R92-0679-05  | CHIP R 0 OHM                 |              |          |
| W682,683 |          |           | R92-0679-05  | CHIP R 0 OHM                 |              | 789      |
| W684,685 |          |           | R92-0679-05  | CHIP R 0 OHM                 |              |          |
| K1 -4    |          |           | S76-0042-05  | MAGNETIC RELAY               |              | KPK1     |
| K1 -4    |          | *         | S76-0097-05  | MAGNETIC RELAY               |              | EE1T     |
| K1 -4    |          | *         | S76-0097-05  | MAGNETIC RELAY               |              | YMI      |
| Δ K601   |          | *         | S76-0099-05  | MAGNETIC RELAY               |              | KPK1     |
| Δ K601   |          | *         | S76-0107-05  | MAGNETIC RELAY               |              | EE1T     |
| Δ K601   |          | *         | S76-0107-05  | MAGNETIC RELAY               |              | YMI      |
| S1       |          |           | S62-0034-05  | SLIDE SWITCH                 |              | YMI      |
| D1       |          |           | UDZ3.3B      | ZENER DIODE                  |              |          |
| Δ D101   |          |           | D5SBA20F03   | DIODE                        |              |          |
| Δ D102   |          |           | S1ZB20(4101) | DIODE                        |              |          |
| Δ D103   |          |           | D5SBA20F03   | DIODE                        |              | KPK1YX   |
| Δ D103   |          |           | RBV-602LFA   | DIODE                        |              | E1TMI    |
| D104     |          |           | HZS16N(B2)   | ZENER DIODE                  |              |          |
| D104     |          |           | MTZJ16(B)    | ZENER DIODE                  |              |          |
| D105     |          |           | HZS15N(B2)   | ZENER DIODE                  |              |          |
| D105     |          |           | MTZJ15(B)    | ZENER DIODE                  |              |          |

L : Scandinavia K : USA P : Canada R : Mexico C : China I : Malaysia  
Y : PX(Far East,Hawaii) T : England E : Europe G : Germany V : China(Shanghai)  
Y : AAFES(Europe) X : Australia Q : Russia H : Korea M : Other Areas Δ indicates safety critical components.

## PARTS LIST

KRF-V7030D/V8030D/VR-407/409



\* New Parts  
 Parts without **Parts No.** are not supplied.  
 Les articles non mentionnés dans le **Parts No.** ne sont pas fournis.  
 Teile ohne **Parts No.** werden nicht geliefert.

15

| Ref. No   | Add-ress | New Parts | Parts No.     | Description | Desti-nation | Re-marks |
|-----------|----------|-----------|---------------|-------------|--------------|----------|
| D106,107  |          |           | MA111         | DIODE       |              |          |
| D108      |          |           | UDZ6.2B       | ZENER DIODE | EE1T         |          |
| D108      |          |           | UDZ8.2B       | ZENER DIODE |              | 789      |
| D109      |          |           | UDZ10B        | ZENER DIODE | EE1T         |          |
| D109      |          |           | UDZ15B        | ZENER DIODE |              | 789      |
| D110      |          |           | UDZ13B        | ZENER DIODE | EE1T         |          |
| D110      |          |           | UDZ16B        | ZENER DIODE |              | 789      |
| D111-115  |          |           | MA111         | DIODE       |              |          |
| D117-120  |          |           | UDZ15B        | ZENER DIODE |              |          |
| D121      |          |           | MA111         | DIODE       |              |          |
| D122      |          |           | UDZ3.9B       | ZENER DIODE |              |          |
| D123      |          |           | HSS104A       | DIODE       |              |          |
| D123      |          |           | 1SS133        | DIODE       |              |          |
| D124      |          |           | UDZ3.9B       | ZENER DIODE |              |          |
| D125,126  |          |           | 1SS133        | DIODE       | YMI          |          |
| D127-130  |          |           | MA111         | DIODE       |              |          |
| D201      |          |           | DA204U        | DIODE       |              |          |
| D201      |          |           | MA143A        | DIODE       |              |          |
| D201      |          |           | 1SS302        | DIODE       |              |          |
| D203      |          |           | HZS8.2N(B2)   | ZENER DIODE |              |          |
| D203      |          |           | MTZJ8.2(B)    | ZENER DIODE |              |          |
| D204      |          |           | HZS5.1N(B2)   | ZENER DIODE |              |          |
| D204      |          |           | MTZJ5.1(B)    | ZENER DIODE |              |          |
| D209      |          |           | HZS3.3N(B2)   | ZENER DIODE |              |          |
| D209      |          |           | MTZJ3.3(B)    | ZENER DIODE |              |          |
| D211      |          |           | MA111         | DIODE       | EE1T         |          |
| D213      |          |           | MA111         | DIODE       |              |          |
| D601      |          |           | S1ZB20(4101)  | DIODE       |              |          |
| D602-605  |          |           | HSS104A       | DIODE       |              |          |
| D602-605  |          |           | 1SS133        | DIODE       |              |          |
| D608      |          |           | HSS104A       | DIODE       | KPK1         |          |
| D608      |          |           | RB721Q        | DIODE       | EE1T         |          |
| D608      |          |           | RB721Q        | DIODE       | YMI          |          |
| D608      |          |           | 1SS133        | DIODE       | KPK1         |          |
| IC101     |          | *         | STK412-020A   | HYBRID IC   |              |          |
| IC102     |          | *         | STK413-020A   | HYBRID IC   |              |          |
| IC103     |          | *         | KIA7812API    | ANALOGUE IC |              |          |
| IC104     |          | *         | KIA7912PI     | ANALOGUE IC |              |          |
| IC105     |          |           | NJM4580ED     | ANALOGUE IC |              |          |
| IC106     |          |           | NJU7313AM     | ANALOGUE IC |              |          |
| IC107,108 |          |           | NJM4565M      | ANALOGUE IC |              |          |
| IC109     |          |           | NJU7313AM     | ANALOGUE IC |              |          |
| IC110-112 |          |           | NJM4565M      | ANALOGUE IC |              |          |
| IC201     |          |           | LA1837        | ANALOGUE IC | EE1T         |          |
| IC201     |          |           | LA1837        | ANALOGUE IC | KPK1         |          |
| IC201     |          |           | LA1838        | ANALOGUE IC | YMI          |          |
| IC202     |          |           | LC72131       | MOS-IC      |              |          |
| IC601     |          |           | XC62FP5102P   | ANALOGUE IC | KPK1         |          |
| IC602     |          |           | BA05T         | ANALOGUE IC | EE1T         |          |
| IC602     |          |           | BA05T         | ANALOGUE IC | YMI          |          |
| Q1 ,2     |          |           | 2SC1740S(Q,R) | TRANSISTOR  |              |          |
| Q1 ,2     |          |           | 2SC2785(F,E)  | TRANSISTOR  |              | 3        |
| Q3 ,4     |          |           | 2SD2351       | TRANSISTOR  |              | 8        |
| Q3 ,4     |          |           | 2SD2351       | TRANSISTOR  | XMI          | 9        |
| Q3 ,4     |          |           | 2SD2351       | TRANSISTOR  | Y            |          |

L : Scandinavia K : USA P : Canada R : Mexico C : China I : Malaysia  
 Y : PX(Far East,Hawaii) T : England E : Europe G : Germany V : China(Shanghai)  
 Y : AAFES(Europe) X : Australia Q : Russia H : Korea M : Other Areas  $\Delta$  indicates safety critical components .

\* New Parts  
 Parts without **Parts No.** are not supplied.  
 Les articles non mentionnés dans le **Parts No.** ne sont pas fournis.  
 Teile ohne **Parts No.** werden nicht geliefert.

15

| Ref. No                                | Add-ress | New Parts | Parts No.     | Description        | Desti-nation | Re-marks |
|--|----------|-----------|---------------|--------------------|--------------|----------|
| Q5 ,6                                  |          |           | 2SD2351       | TRANSISTOR         |              |          |
| Q7 ,8                                  |          |           | 2SC1740S(Q,R) | TRANSISTOR         |              |          |
| Q7 ,8                                  |          |           | 2SC2785(F,E)  | TRANSISTOR         |              |          |
| Q9 ,10                                 |          |           | 2SD2351       | TRANSISTOR         | E            | 3        |
| Q9 ,10                                 |          |           | 2SD2351       | TRANSISTOR         | XMI          | 8        |
| Q9 ,10                                 |          |           | 2SD2351       | TRANSISTOR         | Y            | 9        |
| Q11 ,12                                |          |           | 2SD2351       | TRANSISTOR         |              |          |
| Q13 ,14                                |          |           | 2SC1740S(Q,R) | TRANSISTOR         |              |          |
| Q13 ,14                                |          |           | 2SC2785(F,E)  | TRANSISTOR         |              |          |
| Q15                                    |          |           | 2SD2351       | TRANSISTOR         | E            | 3        |
| Q15                                    |          |           | 2SD2351       | TRANSISTOR         | XMI          | 8        |
| Q15                                    |          |           | 2SD2351       | TRANSISTOR         | Y            | 9        |
| Q16                                    |          |           | 2SD2351       | TRANSISTOR         |              |          |
| Q17                                    |          |           | 2SC2878(B)    | TRANSISTOR         |              |          |
| Q51 -53                                |          |           | 2SA1576A(R,S) | TRANSISTOR         |              |          |
| Q51 -53                                |          |           | 2SB1218A(Q,R) | TRANSISTOR         |              |          |
| Q54                                    |          |           | 2SB1640       | TRANSISTOR         |              |          |
| Q113-117                               |          |           | 2SC3906K      | TRANSISTOR         |              |          |
| Q118                                   |          |           | 2SA1576A(R,S) | TRANSISTOR         |              |          |
| Q118                                   |          |           | 2SB1218A(Q,R) | TRANSISTOR         |              |          |
| Q119,120                               |          |           | 2SC3906K      | TRANSISTOR         |              |          |
| Q121                                   |          |           | 2SA1576A(R,S) | TRANSISTOR         |              |          |
| Q121                                   |          |           | 2SB1218A(Q,R) | TRANSISTOR         |              |          |
| Q122,123                               |          |           | 2SC1845(F,E)  | TRANSISTOR         |              |          |
| Q132                                   |          |           | 2SC3906K      | TRANSISTOR         |              |          |
| Q133                                   |          |           | 2SB1566       | TRANSISTOR         |              |          |
| Q134                                   |          |           | 2SC1845(F,E)  | TRANSISTOR         |              |          |
| Q135                                   |          |           | 2SA1576A(R,S) | TRANSISTOR         |              |          |
| Q135                                   |          |           | 2SB1218A(Q,R) | TRANSISTOR         |              |          |
| Q136                                   |          |           | UN5219        | DIGITAL TRANSISTOR |              |          |
| Q137                                   |          |           | 2SD2395       | TRANSISTOR         |              |          |
| Q138                                   |          |           | 2SB1640       | TRANSISTOR         |              |          |
| Q139-142                               |          |           | DTC123JUA     | DIGITAL TRANSISTOR |              |          |
| Q201                                   |          |           | 2SC4081(R,S)  | TRANSISTOR         |              |          |
| Q201                                   |          |           | 2SD1819A(Q,R) | TRANSISTOR         |              |          |
| Q202                                   |          |           | 2SA1576A(R,S) | TRANSISTOR         |              |          |
| Q202                                   |          |           | 2SB1218A(Q,R) | TRANSISTOR         |              |          |
| Q203,204                               |          |           | 2SD1819A(Q,R) | TRANSISTOR         |              |          |
| Q206,207                               |          |           | 2SC4081(R,S)  | TRANSISTOR         |              |          |
| Q206,207                               |          |           | 2SD1819A(Q,R) | TRANSISTOR         | YMI          |          |
| Q210,211                               |          |           | 2SD1757K      | TRANSISTOR         | EE1T         |          |
| Q212                                   |          |           | 2SA1576A(R,S) | TRANSISTOR         | EE1T         |          |
| Q212                                   |          |           | 2SB1218A(Q,R) | TRANSISTOR         | EE1T         |          |
| Q214                                   |          |           | 2SA1576A(R,S) | TRANSISTOR         |              |          |
| Q214                                   |          |           | 2SB1218A(Q,R) | TRANSISTOR         |              |          |
| Q601                                   |          |           | 2SC1740S(Q,R) | TRANSISTOR         |              |          |
| Q601                                   |          |           | 2SC2785(F,E)  | TRANSISTOR         |              |          |
| A1                                     |          |           | W02-2584-05   | FM FRONT-END ASSY  | EE1T         |          |
| A1                                     |          |           | W02-2622-05   | FM FRONT-END ASSY  |              | 789      |
| <b>PREAMPLIFIER UNIT (X08-3010-XX)</b> |          |           |               |                    |              |          |
| C1 ,2                                  |          |           | CE04RW1C100M  | ELECTRO            | 10UF         | 16WV     |
| C3                                     |          |           | CK73FB1H103K  | CHIP C             | 0.010UF      | K        |
| C4                                     |          |           | CC73FCH1H101J | CHIP C             | 100PF        | J        |
| C5 ,6                                  |          |           | CK73FB1H222K  | CHIP C             | 2200PF       | K        |

L : Scandinavia K : USA P : Canada R : Mexico C : China I : Malaysia  
 Y : PX(Far East,Hawaii) T : England E : Europe G : Germany V : China(Shanghai)  
 Y : AAFES(Europe) X : Australia Q : Russia H : Korea M : Other Areas  $\Delta$  indicates safety critical components .

PARTS LIST

KRF-V7030D/V8030D/MR-407/409

\* New Parts

Parts without **Parts No.** are not supplied.  
 Les articles non mentionnés dans le **Parts No.** ne sont pas fournis.  
 Teile ohne **Parts No.** werden nicht geliefert.

17

| Ref. No  | Add-ress | New Parts | Parts No.     | Description | Desti-nation | Re-marks |
|----------|----------|-----------|---------------|-------------|--------------|----------|
| C7 ,8    |          |           | CK73FB1E104K  | CHIP C      | 0.10UF       | K        |
| C9 ,10   |          |           | CE04RW1C4R7M  | ELECTRO     | 4.7UF        | 16WV     |
| C21      |          |           | CK73FB1E104K  | CHIP C      | 0.10UF       | K        |
| C22      |          |           | CE04LW1H100M  | ELECTRO     | 10UF         | 50WV     |
| C23      |          |           | CK73FB1H102K  | CHIP C      | 1000PF       | K        |
| C24 ,25  |          |           | CK73FB1E104K  | CHIP C      | 0.10UF       | K        |
| C26      |          |           | CK73FF1C105Z  | CHIP C      | 1.0UF        | Z        |
| C27      |          | *         | C91-1597-05   | CERAMIC     | 4.7UF        | Z        |
| C29      |          |           | CK73FB1H103K  | CHIP C      | 0.010UF      | K        |
| C31      |          |           | CC73FCH1H220J | CHIP C      | 22PF         | J        |
| C32      |          |           | CK73FB1H472K  | CHIP C      | 4700PF       | K        |
| C33      |          |           | CC73FCH1H220J | CHIP C      | 22PF         | J        |
| C34      |          |           | CK73FB1H472K  | CHIP C      | 4700PF       | K        |
| C35 ,36  |          |           | CK73FF1C105Z  | CHIP C      | 1.0UF        | Z        |
| C37      |          |           | CK73FF1C105Z  | CHIP C      | 1.0UF        | Z        |
| C41      |          |           | CC73FCH1H220J | CHIP C      | 22PF         | J        |
| C42      |          |           | CC73FCH1H270J | CHIP C      | 27PF         | J        |
| C43 ,44  |          |           | CK73FB1H102K  | CHIP C      | 1000PF       | K        |
| C45      |          |           | CK73FB1H103K  | CHIP C      | 0.010UF      | K        |
| C46      |          |           | CC73FCH1H220J | CHIP C      | 22PF         | J        |
| C54 ,55  |          |           | CC73FCH1H220J | CHIP C      | 22PF         | J        |
| C56      |          |           | CK73FB1H102K  | CHIP C      | 1000PF       | K        |
| C57      |          |           | CK73FF1C105Z  | CHIP C      | 1.0UF        | Z        |
| C58 ,59  |          |           | CK73FB1H103K  | CHIP C      | 0.010UF      | K        |
| C103,104 |          |           | CK73FF1C105Z  | CHIP C      | 1.0UF        | Z        |
| C105,106 |          |           | CK73FB1H182K  | CHIP C      | 1800PF       | K        |
| C107,108 |          |           | CK73FB1H222K  | CHIP C      | 2200PF       | K        |
| C111,112 |          |           | CC73FCH1H101J | CHIP C      | 100PF        | J        |
| C121,122 |          |           | CC73FCH1H220J | CHIP C      | 22PF         | J        |
| C125     |          |           | CK73FB1H103K  | CHIP C      | 0.010UF      | K        |
| C126     |          |           | CC73FCH1H101J | CHIP C      | 100PF        | J        |
| C141     |          |           | CC73FCH1H101J | CHIP C      | 100PF        | J        |
| C151,152 |          |           | CK73FF1C225Z  | CHIP C      | 2.2UF        | Z        |
| C153,154 |          |           | CC73FCH1H101J | CHIP C      | 100PF        | J        |
| C155,156 |          |           | CK73FF1C105Z  | CHIP C      | 1.0UF        | Z        |
| C157-160 |          |           | CK73FF1C225Z  | CHIP C      | 2.2UF        | Z        |
| C161,162 |          |           | CK73FB1H822K  | CHIP C      | 8200PF       | K        |
| C163,164 |          |           | CK73FB1H153K  | CHIP C      | 0.015UF      | K        |
| C163,164 |          |           | CK73FB1H153K  | CHIP C      | 0.015UF      | K        |
| C163,164 |          |           | CK73FB1H333K  | CHIP C      | 0.033UF      | K        |
| C165,166 |          |           | CK73FB1C334K  | CHIP C      | 0.33UF       | K        |
| C165,166 |          |           | CK73FB1C334K  | CHIP C      | 0.33UF       | K        |
| C165,166 |          |           | CK73FB1C474K  | CHIP C      | 0.47UF       | K        |
| C167,168 |          |           | CK73FF1C225Z  | CHIP C      | 2.2UF        | Z        |
| C169,170 |          |           | CK73FB1H222K  | CHIP C      | 2200PF       | K        |
| C177-182 |          |           | CK73FF1C225Z  | CHIP C      | 2.2UF        | Z        |
| C183     |          |           | CK73FF1C105Z  | CHIP C      | 1.0UF        | Z        |
| C184     |          |           | CC73FCH1H221J | CHIP C      | 220PF        | J        |
| C185,186 |          |           | CK73FB1E104K  | CHIP C      | 0.10UF       | K        |
| C187,188 |          |           | CK73FB1H102K  | CHIP C      | 1000PF       | K        |
| C203,204 |          |           | CK73FF1C105Z  | CHIP C      | 1.0UF        | Z        |
| C205,206 |          |           | CK73FB1H222K  | CHIP C      | 2200PF       | K        |
| C207,208 |          |           | CK73FB1H102K  | CHIP C      | 1000PF       | K        |
| C209     |          |           | CK73FB1H472K  | CHIP C      | 4700PF       | K        |

L : Scandinavia K : USA P : Canada R : Mexico C : China I : Malaysia  
 Y : PX(Far East,Hawaii) T : England E : Europe G : Germany V : China(Shanghai)  
 Y : AAFES(Europe) X : Australia Q : Russia H : Korea M : Other Areas  $\Delta$  indicates safety critical components.

\* New Parts

Parts without **Parts No.** are not supplied.  
 Les articles non mentionnés dans le **Parts No.** ne sont pas fournis.  
 Teile ohne **Parts No.** werden nicht geliefert.

18

| Ref. No  | Add-ress | New Parts | Parts No.     | Description | Desti-nation | Re-marks |
|----------|----------|-----------|---------------|-------------|--------------|----------|
| C209     |          |           | CK73FB1H472K  | CHIP C      | 4700PF       | K        |
| C210-212 |          |           | CC73FCH1H101J | CHIP C      | 100PF        | J        |
| C251-256 |          |           | CC73FCH1H221J | CHIP C      | 220PF        | J        |
| C303,304 |          |           | CK73FF1C105Z  | CHIP C      | 1.0UF        | Z        |
| C305     |          |           | CK73FB1H182K  | CHIP C      | 1800PF       | K        |
| C306     |          |           | CK73FB1H682K  | CHIP C      | 6800PF       | K        |
| C307     |          |           | CC73FCH1H222K | CHIP C      | 2200PF       | K        |
| C308     |          |           | CK73FB1H822K  | CHIP C      | 8200PF       | K        |
| C309     |          |           | CK73FB1H103K  | CHIP C      | 0.010UF      | K        |
| C310,311 |          |           | CC73FCH1H101J | CHIP C      | 100PF        | J        |
| C401-403 |          |           | CK73FB1H103K  | CHIP C      | 0.010UF      | K        |
| C411-414 |          |           | CC73FCH1H220J | CHIP C      | 22PF         | J        |
| C415-418 |          |           | CC73FCH1H101J | CHIP C      | 100PF        | J        |
| C419     |          |           | CC73FCH1H100D | CHIP C      | 10PF         | D        |
| C450     |          |           | CK73FB1H103K  | CHIP C      | 0.010UF      | K        |
| C451     |          |           | CK73FB1E104K  | CHIP C      | 0.10UF       | K        |
| C452     |          |           | CE04LW1C222M  | ELECTRO     | 2200UF       | 16WV     |
| C453,454 |          |           | CK73FB1E104K  | CHIP C      | 0.10UF       | K        |
| C455     |          |           | CE04LW1A101M  | ELECTRO     | 100UF        | 10WV     |
| C456,457 |          |           | CK73FB1E104K  | CHIP C      | 0.10UF       | K        |
| C458     |          |           | C92-0047-05   | CHIP-ELE    | 47UF         | 6.3WV    |
| C459,460 |          |           | CK73FB1E104K  | CHIP C      | 0.10UF       | K        |
| C461     |          |           | CE04LW1E470M  | ELECTRO     | 47UF         | 25WV     |
| C501-504 |          |           | CK73FB1E104K  | CHIP C      | 0.10UF       | K        |
| C505     |          |           | CK73FB1H102K  | CHIP C      | 1000PF       | K        |
| C506     |          |           | CC73FCH1H471J | CHIP C      | 470PF        | J        |
| C507     |          |           | CK73FB1H103K  | CHIP C      | 0.010UF      | K        |
| C508     |          |           | CE04LW1H2R2M  | ELECTRO     | 2.2UF        | 50WV     |
| C509     |          |           | CE04LW1E470M  | ELECTRO     | 47UF         | 25WV     |
| C510,511 |          |           | CK73FB1H103K  | CHIP C      | 0.010UF      | K        |
| C601     |          |           | CC73FCH1H470J | CHIP C      | 47PF         | J        |
| C602     |          |           | CE04LW1E470M  | ELECTRO     | 47UF         | 25WV     |
| C603     |          |           | CC73FCH1H470J | CHIP C      | 47PF         | J        |
| C604     |          |           | CE04LW1E470M  | ELECTRO     | 47UF         | 25WV     |
| C605     |          |           | CC73FCH1H470J | CHIP C      | 47PF         | J        |
| C606     |          |           | CE04LW1E470M  | ELECTRO     | 47UF         | 25WV     |
| C607     |          |           | CC73FCH1H470J | CHIP C      | 47PF         | J        |
| C608     |          |           | CE04LW1E470M  | ELECTRO     | 47UF         | 25WV     |
| C609,610 |          |           | CC73FCH1H470J | CHIP C      | 47PF         | J        |
| C611     |          |           | CE04LW1E470M  | ELECTRO     | 47UF         | 25WV     |
| C621,622 |          |           | CK73FB1E104K  | CHIP C      | 0.10UF       | K        |
| C651,652 |          |           | CC73FCH1H470J | CHIP C      | 47PF         | J        |
| C653     |          |           | CK73FB1H103K  | CHIP C      | 0.010UF      | K        |
| C654     |          |           | CE04LW1E470M  | ELECTRO     | 47UF         | 25WV     |
| C655,656 |          |           | CC73FCH1H470J | CHIP C      | 47PF         | J        |
| C657     |          |           | CK73FB1H103K  | CHIP C      | 0.010UF      | K        |
| C658     |          |           | CE04LW1E470M  | ELECTRO     | 47UF         | 25WV     |
| C659,660 |          |           | CC73FCH1H470J | CHIP C      | 47PF         | J        |
| C661     |          |           | CK73FB1H103K  | CHIP C      | 0.010UF      | K        |
| C662     |          |           | CE04LW1E470M  | ELECTRO     | 47UF         | 25WV     |
| C663,664 |          |           | CC73FCH1H470J | CHIP C      | 47PF         | J        |
| C665     |          |           | CK73FB1H103K  | CHIP C      | 0.010UF      | K        |
| C666     |          |           | CE04LW1E470M  | ELECTRO     | 47UF         | 25WV     |
| C667-670 |          |           | CC73FCH1H470J | CHIP C      | 47PF         | J        |
| C671     |          |           | CK73FB1H103K  | CHIP C      | 0.010UF      | K        |

L : Scandinavia K : USA P : Canada R : Mexico C : China I : Malaysia  
 Y : PX(Far East,Hawaii) T : England E : Europe G : Germany V : China(Shanghai)  
 Y : AAFES(Europe) X : Australia Q : Russia H : Korea M : Other Areas  $\Delta$  indicates safety critical components.

\* New Parts

Parts without **Parts No.** are not supplied.  
 Les articles non mentionnés dans le **Parts No.** ne sont pas fournis.  
 Teile ohne **Parts No.** werden nicht geliefert.

19

| Ref. No  | Add-ress | New Parts | Parts No.     | Description                  | Desti-nation | Re-marks |
|----------|----------|-----------|---------------|------------------------------|--------------|----------|
| C672     |          |           | CE04LW1E470M  | ELECTRO 47UF 25WV            |              |          |
| C681,682 |          |           | CE04LW1H100M  | ELECTRO 10UF 50WV            |              |          |
| C751,752 |          |           | CC73FCH1H221J | CHIP C 220PF J               |              |          |
| C753     |          |           | CK73FB1H103K  | CHIP C 0.010UF K             |              |          |
| CN1      |          | *         | E40-8485-05   | FLAT CABLE CONNECTOR         |              |          |
| CN2      |          | *         | E40-8484-05   | FLAT CABLE CONNECTOR         |              |          |
| CN3      |          |           | E40-4297-05   | FLAT CABLE CONNECTOR         |              |          |
| CN5      |          |           | E40-4248-05   | PIN ASSY                     |              |          |
| CN5      |          |           | E40-8358-05   | PIN ASSY                     |              |          |
| J1       |          |           | E63-1080-05   | PIN JACK                     |              |          |
| J2       |          | *         | E63-1139-05   | PIN JACK                     |              |          |
| J61      |          | *         | E63-1142-05   | PIN JACK                     |              |          |
| J65 ,66  |          |           | E56-0011-05   | CYLINDRICAL RECEPTACLE       |              |          |
| J75      |          |           | E11-0293-05   | MINIATURE PHONE JACK(2P)     |              |          |
| E1       |          |           | J11-0809-05   | WIRE CLAMPER                 |              |          |
| L31 ,32  |          | *         | L92-0511-05   | CHIP FERRITE                 |              |          |
| L41      |          | *         | L92-0510-05   | CHIP FERRITE                 |              |          |
| X1       |          | *         | L77-2296-05   | CRYSTAL RESONATOR(12.288MHZ) |              |          |
| CP41-44  |          |           | R90-0728-05   | MULTI-COMP 180 X4            |              |          |
| CP51,52  |          |           | R90-0714-05   | MULTI-COMP 10K X4            |              |          |
| R1 ,2    |          |           | RK73FB2A562J  | CHIP R 5.6K J 1/10W          |              |          |
| R3 ,4    |          |           | RK73FB2A101J  | CHIP R 100 J 1/10W           |              |          |
| R5 ,6    |          |           | RK73FB2A471J  | CHIP R 470 J 1/10W           |              |          |
| R7 -10   |          |           | RK73FB2A472J  | CHIP R 4.7K J 1/10W          |              |          |
| R11 ,12  |          |           | RK73FB2A471J  | CHIP R 470 J 1/10W           |              |          |
| R20      |          | *         | R92-1946-05   | METAL GLAZE 4.7 J 1/4W       |              |          |
| R21      |          |           | RK73FB2A221J  | CHIP R 220 J 1/10W           |              |          |
| R31 ,32  |          |           | RK73FB2A820J  | CHIP R 82 J 1/10W            |              |          |
| R33      |          |           | RK73FB2A471J  | CHIP R 470 J 1/10W           |              |          |
| R34      |          |           | RD14NB2E4R7J  | RD 4.7 J 1/4W                |              |          |
| R35      |          |           | RK73FB2A471J  | CHIP R 470 J 1/10W           |              |          |
| R36      |          |           | RD14NB2E4R7J  | RD 4.7 J 1/4W                |              |          |
| R37      |          |           | RK73FB2A471J  | CHIP R 470 J 1/10W           |              | 89       |
| R37      |          |           | RK73FB2A471J  | CHIP R 470 J 1/10W           | E            |          |
| R38      |          |           | RD14NB2E4R7J  | RD 4.7 J 1/4W                |              | 89       |
| R38      |          |           | RD14NB2E4R7J  | RD 4.7 J 1/4W                | E            |          |
| R41 ,42  |          |           | RK73FB2A105J  | CHIP R 1.0M J 1/10W          |              |          |
| R43 -45  |          |           | RK73FB2A221J  | CHIP R 220 J 1/10W           |              |          |
| R54      |          |           | RK73FB2A912J  | CHIP R 9.1K J 1/10W          |              |          |
| R55 -58  |          |           | RK73FB2A221J  | CHIP R 220 J 1/10W           |              |          |
| R59      |          |           | RK73FB2A101J  | CHIP R 100 J 1/10W           |              |          |
| R66      |          |           | RK73FB2A104J  | CHIP R 100K J 1/10W          |              |          |
| R67      |          |           | RK73FB2A103J  | CHIP R 10K J 1/10W           |              |          |
| R68      |          |           | RK73FB2A221J  | CHIP R 220 J 1/10W           |              |          |
| R101,102 |          |           | RK73FB2A222J  | CHIP R 2.2K J 1/10W          |              |          |
| R103,104 |          |           | RK73FB2A104J  | CHIP R 100K J 1/10W          |              |          |
| R107,108 |          |           | RK73FB2A222J  | CHIP R 2.2K J 1/10W          |              |          |
| R109,110 |          |           | RK73FB2A103J  | CHIP R 10K J 1/10W           |              |          |
| R111,112 |          |           | RK73FB2A472J  | CHIP R 4.7K J 1/10W          |              |          |
| R113,114 |          |           | RK73FB2A221J  | CHIP R 220 J 1/10W           |              |          |
| R121-124 |          |           | RK73FB2A103J  | CHIP R 10K J 1/10W           |              |          |
| R125,126 |          |           | RK73FB2A101J  | CHIP R 100 J 1/10W           |              |          |
| R127,128 |          |           | RK73FB2A242J  | CHIP R 2.4K J 1/10W          |              |          |

L : Scandinavia K : USA P : Canada R : Mexico C : China I : Malaysia  
 Y : PX(Far East,Hawaii) T : England E : Europe G : Germany V : China(Shanghai)  
 Y : AAFES(Europe) X : Australia Q : Russia H : Korea M : Other Areas  $\Delta$  indicates safety critical components.

\* New Parts

Parts without **Parts No.** are not supplied.  
 Les articles non mentionnés dans le **Parts No.** ne sont pas fournis.  
 Teile ohne **Parts No.** werden nicht geliefert.

20

| Ref. No  | Add-ress | New Parts | Parts No.    | Description            | Desti-nation | Re-marks |
|----------|----------|-----------|--------------|------------------------|--------------|----------|
| R151-156 |          |           | RK73FB2A100J | CHIP R 10 J 1/10W      |              |          |
| R157,158 |          |           | RK73FB2A102J | CHIP R 1.0K J 1/10W    |              |          |
| R159-164 |          |           | RK73FB2A101J | CHIP R 100 J 1/10W     |              |          |
| R165     |          |           | RK73FB2A751J | CHIP R 750 J 1/10W     |              |          |
| R166     |          |           | RK73FB2A272J | CHIP R 2.7K J 1/10W    |              |          |
| R168,169 |          |           | RK73FB2A1R0J | CHIP R 1 J 1/10W       |              |          |
| R170,171 |          |           | RK73FB2A471J | CHIP R 470 J 1/10W     |              |          |
| R172-175 |          |           | RK73FB2A473J | CHIP R 47K J 1/10W     |              |          |
| R201,202 |          |           | RK73FB2A332J | CHIP R 3.3K J 1/10W    |              |          |
| R203,204 |          |           | RK73FB2A104J | CHIP R 100K J 1/10W    |              |          |
| R207,208 |          |           | RK73FB2A222J | CHIP R 2.2K J 1/10W    |              |          |
| R209,210 |          |           | RK73FB2A272J | CHIP R 2.7K J 1/10W    |              |          |
| R211,212 |          |           | RK73FB2A562J | CHIP R 5.6K J 1/10W    |              |          |
| R213,214 |          |           | RK73FB2A221J | CHIP R 220 J 1/10W     |              |          |
| R215,216 |          |           | RK73FB2A472J | CHIP R 4.7K J 1/10W    |              |          |
| R217,218 |          |           | RK73FB2A562J | CHIP R 5.6K J 1/10W    |              |          |
| R251,252 |          |           | RK73FB2A153J | CHIP R 15K J 1/10W     |              |          |
| R253,254 |          |           | RK73FB2A223J | CHIP R 22K J 1/10W     |              |          |
| R255,256 |          |           | RK73FB2A103J | CHIP R 10K J 1/10W     |              |          |
| R257,258 |          |           | RK73FB2A223J | CHIP R 22K J 1/10W     |              |          |
| R259,260 |          |           | RK73FB2A103J | CHIP R 10K J 1/10W     |              |          |
| R261,262 |          |           | RK73FB2A223J | CHIP R 22K J 1/10W     |              |          |
| R301     |          |           | RK73FB2A222J | CHIP R 2.2K J 1/10W    |              |          |
| R302     |          |           | RK73FB2A103J | CHIP R 10K J 1/10W     |              |          |
| R303,304 |          |           | RK73FB2A104J | CHIP R 100K J 1/10W    |              |          |
| R307     |          |           | RK73FB2A222J | CHIP R 2.2K J 1/10W    |              |          |
| R308     |          |           | RK73FB2A123J | CHIP R 12K J 1/10W     |              |          |
| R309,310 |          |           | RK73FB2A103J | CHIP R 10K J 1/10W     |              |          |
| R311,312 |          |           | RK73FB2A472J | CHIP R 4.7K J 1/10W    |              |          |
| R313,314 |          |           | RK73FB2A221J | CHIP R 220 J 1/10W     |              |          |
| R401-406 |          |           | RK73FB2A471J | CHIP R 470 J 1/10W     |              |          |
| R407     |          |           | RK73FB2A473J | CHIP R 47K J 1/10W     |              |          |
| R412     |          |           | RK73FB2A221J | CHIP R 220 J 1/10W     |              |          |
| R426,427 |          |           | RK73FB2A221J | CHIP R 220 J 1/10W     |              |          |
| R428     |          |           | RK73FB2A1R0J | CHIP R 1 J 1/10W       |              |          |
| R428     |          |           | RK73FB2A1R0J | CHIP R 1 J 1/10W       |              |          |
| R431,432 |          |           | RK73FB2A103J | CHIP R 10K J 1/10W     | E1T          |          |
| R433     |          |           | RK73FB2A473J | CHIP R 47K J 1/10W     |              | 89       |
| R433     |          |           | RK73FB2A473J | CHIP R 47K J 1/10W     | E            |          |
| R434     |          |           | RK73FB2A101J | CHIP R 100 J 1/10W     |              | 89       |
| R434     |          |           | RK73FB2A101J | CHIP R 100 J 1/10W     | E            |          |
| R450     |          |           | R92-1918-05  | CHIP R 0.33 J 1/4W     |              |          |
| R451-453 |          | *         | R92-1945-05  | METAL GLAZE 1 J 1/4W   |              |          |
| R454     |          | *         | R92-1946-05  | METAL GLAZE 4.7 J 1/4W |              |          |
| R461,462 |          | *         | RK73FB2A221J | CHIP R 220 J 1/10W     |              |          |
| R463     |          |           | RK73FB2A473J | CHIP R 47K J 1/10W     |              |          |
| R464     |          |           | RK73FB2A472J | CHIP R 4.7K J 1/10W    |              |          |
| R465     |          |           | RK73FB2A102J | CHIP R 1.0K J 1/10W    |              |          |
| R501-503 |          |           | RK73FB2A221J | CHIP R 220 J 1/10W     |              |          |
| R505     |          |           | RK73FB2A103J | CHIP R 10K J 1/10W     |              |          |
| R514     |          |           | RK73FB2A101J | CHIP R 100 J 1/10W     |              |          |
| R515     |          |           | RK73FB2A221J | CHIP R 220 J 1/10W     |              |          |
| R516     |          |           | RK73FB2A103J | CHIP R 10K J 1/10W     |              |          |
| R517     |          |           | RK73FB2A221J | CHIP R 220 J 1/10W     |              |          |
| R518     |          |           | RK73FB2A472J | CHIP R 4.7K J 1/10W    |              |          |

L : Scandinavia K : USA P : Canada R : Mexico C : China I : Malaysia  
 Y : PX(Far East,Hawaii) T : England E : Europe G : Germany V : China(Shanghai)  
 Y : AAFES(Europe) X : Australia Q : Russia H : Korea M : Other Areas  $\Delta$  indicates safety critical components.

PARTS LIST

KRF-V7030D/V8030D/MR-407/409

\* New Parts  
 Parts without **Parts No.** are not supplied.  
 Les articles non mentionnés dans le **Parts No.** ne sont pas fournis.  
 Teile ohne **Parts No.** werden nicht geliefert.

21

| Ref. No    | Add-ress | New Parts | Parts No.    | Description             | Desti-nation | Re-marks |
|------------|----------|-----------|--------------|-------------------------|--------------|----------|
| R519       |          |           | RK73FB2A221J | CHIP R 220 J 1/10W      |              |          |
| R520,521   |          |           | RK73FB2A103J | CHIP R 10K J 1/10W      |              |          |
| R522,523   |          |           | RK73FB2A472J | CHIP R 4.7K J 1/10W     |              |          |
| R524       |          |           | RK73FB2A333J | CHIP R 33K J 1/10W      |              |          |
| R527       |          |           | RK73FB2A103J | CHIP R 10K J 1/10W      |              |          |
| R601       |          |           | RK73FB2A820J | CHIP R 82 J 1/10W       |              |          |
| R603       |          |           | RK73FB2A820J | CHIP R 82 J 1/10W       |              |          |
| R605       |          |           | RK73FB2A820J | CHIP R 82 J 1/10W       |              |          |
| R607       |          |           | RK73FB2A820J | CHIP R 82 J 1/10W       |              |          |
| R609       |          |           | RK73FB2A104J | CHIP R 100K J 1/10W     |              |          |
| R610       |          |           | RK73FB2A680J | CHIP R 68 J 1/10W       |              |          |
| R611       |          |           | RK73FB2A104J | CHIP R 100K J 1/10W     |              |          |
| R612       |          |           | RK73FB2A680J | CHIP R 68 J 1/10W       |              |          |
| R631,632   |          |           | RK73FB2A681J | CHIP R 680 J 1/10W      |              |          |
| Δ R633,634 |          | *         | R92-1954-05  | METAL GLAZE 100 J 1/10W | EE1T         |          |
| Δ R633,634 |          | *         | R92-1954-05  | METAL GLAZE 100 J 1/10W | KPIXY        |          |
| Δ R633,634 |          | *         | R92-1957-05  | METAL GLAZE RESISTOR    | M            |          |
| Δ R635,636 |          | *         | R92-1954-05  | METAL GLAZE 100 J 1/10W | M            |          |
| R651,658   |          |           | RK73FB2A820J | CHIP R 82 J 1/10W       |              |          |
| R659,660   |          |           | RK73FB2A104J | CHIP R 100K J 1/10W     |              |          |
| R661,662   |          |           | RK73FB2A680J | CHIP R 68 J 1/10W       |              |          |
| R663,664   |          |           | RK73FB2A104J | CHIP R 100K J 1/10W     |              |          |
| R665,666   |          |           | RK73FB2A680J | CHIP R 68 J 1/10W       |              |          |
| Δ R681,682 |          |           | RD14NB2E4R7J | RD 4.7 J 1/4W           |              |          |
| D1         |          |           | DAN202U      | DIODE                   |              |          |
| D1         |          |           | MA142WK      | DIODE                   |              |          |
| D1         |          |           | 1SS301       | DIODE                   |              |          |
| D2         |          |           | DAP202U      | DIODE                   |              |          |
| D2         |          |           | MA142WA      | DIODE                   |              |          |
| D2         |          |           | 1SS300       | DIODE                   |              |          |
| D3         |          |           | DAN202U      | DIODE                   |              |          |
| D3         |          |           | MA142WK      | DIODE                   |              |          |
| D3         |          |           | 1SS301       | DIODE                   |              |          |
| D6         |          |           | MA111        | DIODE                   |              |          |
| Δ D41      |          |           | S1ZB20(4072) | DIODE                   |              |          |
| D42,43     |          |           | UDZ5.6B      | ZENER DIODE             |              |          |
| D44        |          |           | UDZ3.9B      | ZENER DIODE             |              |          |
| D51,52     |          |           | MA111        | DIODE                   |              |          |
| D61,62     |          |           | UDZ5.6B      | ZENER DIODE             |              |          |
| D75,76     |          |           | MA111        | DIODE                   |              |          |
| D151,152   |          |           | UDZ7.5B      | ZENER DIODE             |              |          |
| IC1        |          |           | NJM4565MD    | IC(OP AMP X2)           |              |          |
| IC2        |          | *         | AK4527-VQ    | MOS-IC                  |              |          |
| IC4        |          |           | TC7WU04FU    | MOS-IC                  |              |          |
| IC5        |          | *         | AK4110-VF    | MOS-IC                  |              |          |
| IC6        |          | *         | TC7WH123FU   | MOS-IC                  |              |          |
| IC11       |          |           | NJM4565MD    | IC(OP AMP X2)           |              |          |
| IC12       |          |           | NJU7311AM    | MOS-IC                  |              |          |
| IC13       |          |           | NJM4565MD    | IC(OP AMP X2)           |              |          |
| IC14       |          |           | NJU7311AM    | MOS-IC                  |              |          |
| IC15       |          |           | M62446FP     | ANALOGUE IC             |              |          |
| IC21       |          |           | NJM4565MD    | IC(OP AMP X2)           |              |          |
| IC31       |          |           | NJM4565MD    | IC(OP AMP X2)           |              |          |
| IC41       |          | *         | TC74HC07AF   | MOS-IC                  |              |          |

L : Scandinavia K : USA P : Canada R : Mexico C : China I : Malaysia  
 Y : PX(Far East,Hawaii) T : England E : Europe G : Germany V : China(Shanghai)  
 Y : AAFES(Europe) X : Australia Q : Russia H : Korea M : Other Areas Δ indicates safety critical components.

PARTS LIST

22

\* New Parts  
 Parts without **Parts No.** are not supplied.  
 Les articles non mentionnés dans le **Parts No.** ne sont pas fournis.  
 Teile ohne **Parts No.** werden nicht geliefert.

| Ref. No                           | Add-ress | New Parts | Parts No.      | Description            | Desti-nation | Re-marks |
|-----------------------------------|----------|-----------|----------------|------------------------|--------------|----------|
| IC42                              |          |           | TC74HCT7007AF  | MOS-IC                 |              |          |
| IC43                              |          | *         | TC7WH126FU     | MOS-IC                 | E            | 89       |
| IC43                              |          | *         | TC7WH126FU     | MOS-IC                 | E            | 3        |
| IC44                              |          | *         | AT25256WS2701  | MOS-IC                 |              | 89       |
| IC44                              |          | *         | AT25256WS2701  | MOS-IC                 |              | 3        |
| Δ IC45                            |          | *         | TA48M05F       | ANALOGUE IC            |              |          |
| Δ IC46                            |          | *         | TA48M033F      | ANALOGUE IC            |              |          |
| Δ IC47                            |          | *         | TA48M025F      | ANALOGUE IC            |              |          |
| IC51                              |          | *         | CS493263-CLR   | MOS-IC                 |              |          |
| IC61                              |          |           | NJM2279M       | ANALOGUE IC            |              |          |
| IC62                              |          | *         | NJU4052BV      | MOS-IC                 |              |          |
| IC62                              |          | *         | TC74HC4052AFT  | MOS-IC                 |              |          |
| IC66,67                           |          |           | NJM2279M       | ANALOGUE IC            |              |          |
| IC68                              |          | *         | NJU4052BV      | MOS-IC                 |              |          |
| IC68                              |          | *         | TC74HC4052AFT  | MOS-IC                 |              |          |
| Q1                                |          |           | DTC124EUA      | DIGITAL TRANSISTOR     |              |          |
| Q1                                |          |           | UN5212         | DIGITAL TRANSISTOR     |              |          |
| Δ Q15                             |          |           | 2SD1664(Q,R)   | TRANSISTOR             |              |          |
| Δ Q15                             |          | *         | 2SD1963(R,S)-G | TRANSISTOR             |              |          |
| Δ Q16                             |          |           | 2SB1132(Q,R)   | TRANSISTOR             |              |          |
| Δ Q16                             |          | *         | 2SB1308(Q,R)-G | TRANSISTOR             |              |          |
| Q41                               |          |           | 2SC4081(R,S)   | TRANSISTOR             |              |          |
| Q41                               |          |           | 2SD1819A(Q,R)  | TRANSISTOR             |              |          |
| Q42                               |          |           | 2SA1576A(R,S)  | TRANSISTOR             |              |          |
| Q42                               |          |           | 2SB1218A(Q,R)  | TRANSISTOR             |              |          |
| Δ Q61                             |          |           | 2SD1664(Q,R)   | TRANSISTOR             |              |          |
| Δ Q61                             |          | *         | 2SD1963(R,S)-G | TRANSISTOR             |              |          |
| Δ Q62                             |          |           | 2SB1132(Q,R)   | TRANSISTOR             |              |          |
| Δ Q62                             |          | *         | 2SB1308(Q,R)-G | TRANSISTOR             |              |          |
| A1 ,2                             |          | *         | W02-2716-05    | OPTIC RECEIVING MODULE |              |          |
| A3                                |          |           | W02-2717-05    | OSCILLATING MODULE     | E            | 89       |
| A3                                |          | *         | W02-2717-05    | OSCILLATING MODULE     |              |          |
| <b>DISPLAY UNIT (X14-7090-XX)</b> |          |           |                |                        |              |          |
| D1                                |          |           | B30-2567-05    | LED(RED(80) HI-BR)     |              |          |
| D2 -6                             |          |           | B30-2545-05    | LED(RED3(160))         |              |          |
| C1                                |          |           | CE04RW0J331M   | ELECTRO 330UF 6.3WV    | KPK1         |          |
| C1                                |          |           | CE04RW1A101M   | ELECTRO 100UF 10WV     | EE1T         |          |
| C1                                |          |           | CE04RW1A101M   | ELECTRO 100UF 10WV     | YMIX         |          |
| C2                                |          |           | CK73FB1H103K   | CHIP C 0.010UF K       |              |          |
| C3                                |          |           | CE04RW1H010M   | ELECTRO 1.0UF 50WV     |              |          |
| C4 ,5                             |          | *         | CE04RW1C100M   | ELECTRO 10UF 16WV      |              |          |
| C6                                |          |           | CE04RW0J100M   | ELECTRO 10UF 6.3WV     |              |          |
| C7                                |          |           | CK73FB1H103K   | CHIP C 0.010UF K       |              |          |
| C9                                |          |           | CC73FCH1H470J  | CHIP C 47PF J          |              |          |
| C10 -19                           |          |           | CK73FB1H103K   | CHIP C 0.010UF K       |              |          |
| C20 ,21                           |          |           | CK73FB1C104K   | CHIP C 0.10UF K        |              |          |
| C22                               |          |           | CK73FF1C105Z   | CHIP C 1.0UF Z         |              |          |
| C23                               |          |           | CE04RW0J470M   | ELECTRO 47UF 6.3WV     |              |          |
| C24                               |          |           | CE04RW0J470M   | ELECTRO 47UF 6.3WV     | EE1T         |          |
| C25                               |          |           | CK73FB1H103K   | CHIP C 0.010UF K       | EE1T         |          |
| C26 ,27                           |          |           | CC73FCH1H270J  | CHIP C 27PF J          | EE1T         |          |
| C28                               |          |           | CC73FCH1H561J  | CHIP C 560PF J         | EE1T         |          |
| C29                               |          |           | CC73FCH1H271J  | CHIP C 270PF J         | EE1T         |          |
| C30                               |          | *         | CE04RW1V2R2M   | ELECTRO 2.2UF 35WV     | EE1T         |          |

L : Scandinavia K : USA P : Canada R : Mexico C : China I : Malaysia  
 Y : PX(Far East,Hawaii) T : England E : Europe G : Germany V : China(Shanghai)  
 Y : AAFES(Europe) X : Australia Q : Russia H : Korea M : Other Areas Δ indicates safety critical components.

\* New Parts

Parts without **Parts No.** are not supplied.  
Les articles non mentionnés dans le **Parts No.** ne sont pas fournis.  
Teile ohne **Parts No.** werden nicht geliefert.

23

| Ref. No  | Add-ress | New Parts | Parts No.     | Description                 | Desti-nation | Re-marks |
|----------|----------|-----------|---------------|-----------------------------|--------------|----------|
| C31      |          |           | CC73FCH1H101J | CHIP C                      | 100PF        | J        |
| C32      |          |           | CE04RW0J220M  | ELECTRO                     | 22UF         | 6.3WV    |
| C33 -35  |          |           | CC73FCH1H101J | CHIP C                      | 100PF        | J        |
| C36 ,37  |          |           | CC73FCH1H470J | CHIP C                      | 47PF         | J        |
| C38      |          | *         | CE04RW1H330M  | ELECTRO                     | 33UF         | 50WV     |
| C39      |          |           | CK73FB1H103K  | CHIP C                      | 0.010UF      | K        |
| C40      |          |           | C90-1826-05   | BACKUP-C                    | 0.047F       | 5.5WV    |
| C41      |          |           | C90-1826-05   | BACKUP-C                    | 0.047F       | 5.5WV    |
| C42      |          |           | CK73FB1H103K  | CHIP C                      | 0.010UF      | K        |
|          |          |           | CK73FB1H103K  | CHIP C                      | 0.010UF      | K        |
| C43 ,44  |          |           | CC73FCH1H101J | CHIP C                      | 100PF        | J        |
| C45 ,46  |          |           | CC73FCH1H470J | CHIP C                      | 47PF         | J        |
| C47      |          |           | CC73FCH1H101J | CHIP C                      | 100PF        | J        |
| C48      |          |           | CC73FCH1H101J | CHIP C                      | 100PF        | J        |
| C49      |          |           | CE04RW0J331M  | ELECTRO                     | 330UF        | 6.3WV    |
| C50      |          |           | CC73FCH1H101J | CHIP C                      | 100PF        | J        |
| C51      |          | *         | CE04RW1H2R2M  | ELECTRO                     | 2.2UF        | 50WV     |
| C52      |          |           | CK73FB1H103K  | CHIP C                      | 0.010UF      | K        |
| C53      |          |           | CC73FCH1H101J | CHIP C                      | 100PF        | J        |
| C54      |          | *         | CE04RW1H4R7M  | ELECTRO                     | 4.7UF        | 50WV     |
| C55      |          |           | CC73FCH1H470J | CHIP C                      | 47PF         | J        |
| C56      |          |           | CC73FCH1H220J | CHIP C                      | 22PF         | J        |
| C57      |          |           | CC73FCH1H221J | CHIP C                      | 220PF        | J        |
| C58      |          |           | CC73FCH1H470J | CHIP C                      | 47PF         | J        |
| C59      |          |           | CK73FF1C105Z  | CHIP C                      | 1.0UF        | Z        |
| C61      |          |           | CC73FCH1H101J | CHIP C                      | 100PF        | J        |
| C101-107 |          |           | CC73FCH1H101J | CHIP C                      | 100PF        | J        |
| CN1      |          | *         | E40-8510-05   | FLAT CABLE CONNECTOR        |              |          |
| CN2      |          | *         | E40-8504-05   | FLAT CABLE CONNECTOR        |              |          |
| CN3      |          |           | E40-3247-05   | PIN ASSY                    |              |          |
| CN5      |          |           | E40-3261-05   | PIN ASSY                    |              |          |
| J1       |          |           | E11-0272-05   | PHONE JACK                  |              |          |
| J2       |          |           | E63-1035-05   | PIN JACK                    |              |          |
| J2       |          | *         | E63-1147-05   | PIN JACK                    |              |          |
| J3       |          |           | E06-0709-05   | CYLINDRICAL RECEPTACLE      |              |          |
| -        |          |           | J19-5928-13   | HOLDER                      |              |          |
| -        |          |           | J19-5928-13   | HOLDER                      |              |          |
| E5 ,6    |          |           | J11-0808-05   | WIRE CLAMPER                |              |          |
| X1       |          | *         | L78-0714-05   | RESONATOR (8MHZ)            |              |          |
| X2       |          |           | L77-2002-05   | CRYSTAL RESONATOR(4.332MHZ) |              | EE1T     |
| CP1      |          |           | R90-0855-05   | MULTI-COMP                  | 100KX5       | J        |
| CP2 ,3   |          |           | R90-0482-05   | MULTI-COMP                  | 100KX4       | J 1/6W   |
| CP501    |          |           | R90-0855-05   | MULTI-COMP                  | 100KX5       | J        |
| CP502    |          |           | R90-0850-05   | MULTI-COMP                  | 100KX3       | J 1/6W   |
| R4       |          |           | RK73FB2A102J  | CHIP R                      | 1.0K         | J 1/10W  |
| R5       |          |           | RK73FB2A103J  | CHIP R                      | 10K          | J 1/10W  |
| R7       |          |           | RK73FB2A104J  | CHIP R                      | 100K         | J 1/10W  |
| R8       |          |           | RK73FB2A102J  | CHIP R                      | 1.0K         | J 1/10W  |
| R12      |          |           | RK73FB2A331J  | CHIP R                      | 330          | J 1/10W  |
| R13 ,14  |          |           | RK73FB2A104J  | CHIP R                      | 100K         | J 1/10W  |
| R15      |          |           | RK73FB2A331J  | CHIP R                      | 330          | J 1/10W  |
| R29      |          |           | RK73FB2A122J  | CHIP R                      | 1.2K         | J 1/10W  |
| R30 -34  |          |           | RK73FB2A221J  | CHIP R                      | 220          | J 1/10W  |

L : Scandinavia K : USA P : Canada R : Mexico C : China I : Malaysia  
Y : PX(Far East,Hawaii) T : England E : Europe G : Germany V : China(Shanghai)  
Y : AAFES(Europe) X : Australia Q : Russia H : Korea M : Other Areas  $\Delta$  indicates safety critical components.

\* New Parts

Parts without **Parts No.** are not supplied.  
Les articles non mentionnés dans le **Parts No.** ne sont pas fournis.  
Teile ohne **Parts No.** werden nicht geliefert.

24

| Ref. No  | Add-ress | New Parts | Parts No.    | Description    | Desti-nation | Re-marks |
|----------|----------|-----------|--------------|----------------|--------------|----------|
| R36 ,37  |          |           | RK73FB2A104J | CHIP R         | 100K         | J 1/10W  |
| R38 -43  |          |           | RK73FB2A103J | CHIP R         | 10K          | J 1/10W  |
| R44 -49  |          |           | RK73FB2A101J | CHIP R         | 100          | J 1/10W  |
| R50      |          |           | RK73FB2A272J | CHIP R         | 2.7K         | J 1/10W  |
| R51      |          |           | RK73FB2A102J | CHIP R         | 1.0K         | J 1/10W  |
| R52 ,53  |          |           | RK73FB2A272J | CHIP R         | 2.7K         | J 1/10W  |
| R54 ,55  |          |           | RK73FB2A103J | CHIP R         | 10K          | J 1/10W  |
| R54 ,55  |          |           | RK73FB2A472J | CHIP R         | 4.7K         | J 1/10W  |
| R57 ,58  |          |           | RK73FB2A223J | CHIP R         | 22K          | J 1/10W  |
| R59 -63  |          |           | RK73FB2A104J | CHIP R         | 100K         | J 1/10W  |
| R64      |          |           | RK73FB2A101J | CHIP R         | 100          | J 1/10W  |
| R65 ,66  |          |           | RK73FB2A103J | CHIP R         | 10K          | J 1/10W  |
| R67      |          |           | RD14NB2E222J | RD             | 2.2K         | J 1/4W   |
| R71 ,72  |          |           | RK73FB2A473J | CHIP R         | 47K          | J 1/10W  |
| R83      |          |           | RK73FB2A564J | CHIP R         | 560K         | J 1/10W  |
| R86      |          |           | RD14NB2E152J | RD             | 1.5K         | J 1/4W   |
| R98      |          |           | RK73FB2A104J | CHIP R         | 100K         | J 1/10W  |
| R107-109 |          |           | RK73FB2A104J | CHIP R         | 100K         | J 1/10W  |
| R110     |          |           | RK73FB2A1R0J | CHIP R         | 1            | J 1/10W  |
| R111     |          |           | RK73FB2A101J | CHIP R         | 100          | J 1/10W  |
| R112     |          |           | RK73FB2A473J | CHIP R         | 47K          | J 1/10W  |
| R113     |          |           | RK73FB2A101J | CHIP R         | 100          | J 1/10W  |
| R114     |          |           | RK73FB2A104J | CHIP R         | 100K         | J 1/10W  |
| R118     |          |           | RK73FB2A104J | CHIP R         | 100K         | J 1/10W  |
| R119-126 |          |           | RK73FB2A101J | CHIP R         | 100          | J 1/10W  |
| R127-129 |          |           | RK73FB2A104J | CHIP R         | 100K         | J 1/10W  |
| R130     |          |           | RK73FB2A102J | CHIP R         | 1.0K         | J 1/10W  |
| R141,142 |          |           | RK73FB2A104J | CHIP R         | 100K         | J 1/10W  |
| R143     |          |           | RK73FB2A101J | CHIP R         | 100          | J 1/10W  |
| R151,152 |          |           | RK73FB2A101J | CHIP R         | 100          | J 1/10W  |
| R153,154 |          |           | RK73FB2A104J | CHIP R         | 100K         | J 1/10W  |
| R155     |          |           | RK73FB2A101J | CHIP R         | 100          | J 1/10W  |
| R156-158 |          |           | RK73FB2A750J | CHIP R         | 75           | J 1/10W  |
| R161,162 |          |           | RK73FB2A104J | CHIP R         | 100K         | J 1/10W  |
| R501,502 |          |           | RK73FB2A104J | CHIP R         | 100K         | J 1/10W  |
| W503     |          |           | R92-0679-05  | CHIP R         | 0 OHM        |          |
| W505     |          |           | R92-0679-05  | CHIP R         | 0 OHM        | YMIX     |
| W507     |          |           | R92-0679-05  | CHIP R         | 0 OHM        | EE1T     |
| W509     |          |           | R92-0679-05  | CHIP R         | 0 OHM        |          |
| W514     |          |           | R92-0679-05  | CHIP R         | 0 OHM        |          |
| S4 -16   |          |           | S70-0031-05  | TACT SWITCH    |              |          |
| S19      |          |           | S68-0107-05  | PUSH SWITCH    |              | EE1T     |
| S19      |          |           | S68-0107-05  | PUSH SWITCH    |              | YMIX     |
| S1       |          |           | T99-0602-05  | ROTARY ENCODER |              |          |
| S2 ,3    |          | *         | T99-0630-05  | ROTARY ENCODER |              |          |
| D7       |          |           | HZS6.2N(B2)  | ZENER DIODE    |              |          |
| D7       |          |           | MTZJ6.2(B)   | ZENER DIODE    |              |          |
| D8 ,9    |          |           | RB721Q       | DIODE          |              |          |
| D11 ,12  |          |           | MA111        | DIODE          |              |          |
| D13      |          |           | HSS104A      | DIODE          |              | KPK1     |
| D13      |          |           | 1SS133       | DIODE          |              | KPK1     |
| D15 ,16  |          |           | MA111        | DIODE          |              |          |
| D17 -22  |          |           | HSS104A      | DIODE          |              |          |
| D17 -22  |          |           | 1SS133       | DIODE          |              |          |

L : Scandinavia K : USA P : Canada R : Mexico C : China I : Malaysia  
Y : PX(Far East,Hawaii) T : England E : Europe G : Germany V : China(Shanghai)  
Y : AAFES(Europe) X : Australia Q : Russia H : Korea M : Other Areas  $\Delta$  indicates safety critical components.

PARTS LIST

KRF-V7030D/V8030D/MR-407/409

\* New Parts

Parts without **Parts No.** are not supplied.Les articles non mentionnés dans le **Parts No.** ne sont pas fournis.Teile ohne **Parts No.** werden nicht geliefert.

25

| Ref. No | Add-ress | New Parts | Parts No.     | Description                | Desti-nation | Re-marks |
|---------|----------|-----------|---------------|----------------------------|--------------|----------|
| D24     |          |           | HSS104A       | DIODE                      | EE1TX        |          |
| D24     |          |           | 1SS133        | DIODE                      | EE1TX        |          |
| D25     |          |           | HSS104A       | DIODE                      |              | 7        |
| D25     |          |           | HSS104A       | DIODE                      | E1T          | 3        |
| D25     |          |           | 1SS133        | DIODE                      |              | 7        |
| D25     |          |           | 1SS133        | DIODE                      | E1T          | 3        |
| D26     |          |           | HSS104A       | DIODE                      |              | 89       |
| D26     |          |           | HSS104A       | DIODE                      | E            | 3        |
| D26     |          |           | 1SS133        | DIODE                      |              | 89       |
| D26     |          |           | 1SS133        | DIODE                      | E            | 3        |
| D28     |          |           | HSS104A       | DIODE                      | EE1T         |          |
| D28     |          |           | HSS104A       | DIODE                      | YMIX         |          |
| D28     |          |           | 1SS133        | DIODE                      | EE1T         |          |
| D28     |          |           | 1SS133        | DIODE                      | YMIX         |          |
| D29     |          |           | HSS104A       | DIODE                      | X            |          |
| D29     |          |           | 1SS133        | DIODE                      | X            |          |
| D30     |          |           | HSS104A       | DIODE                      | EE1T         |          |
| D30     |          |           | 1SS133        | DIODE                      | EE1T         |          |
| D33     |          |           | HSS104A       | DIODE                      |              |          |
| D33     |          |           | 1SS133        | DIODE                      |              |          |
| D35 ,36 |          |           | MA111         | DIODE                      | YMI          |          |
| ED1     |          | *         | SVA-11MS22    | FLUORESCENT INDICATOR TUBE |              |          |
| ED1     |          | *         | 11-MT-120GK   | FLUORESCENT INDICATOR TUBE |              |          |
| IC1     |          | *         | MN101C35DRA   | MI-COM IC                  |              |          |
| IC2     |          | *         | S-80840ANY    | ANALOGUE IC                |              |          |
| △ IC3   |          | *         | TA78057F      | ANALOGUE IC                | EE1T         |          |
| △ IC3   |          | *         | TA78057F      | ANALOGUE IC                | KPK1X        |          |
| IC4     |          |           | BU1923F       | ANALOGUE IC                | EE1T         |          |
| IC5     |          |           | S-80840ANY    | ANALOGUE IC                | YMI          |          |
| △ IC6   |          |           | XC62FP5102P   | ANALOGUE IC                | YMI          |          |
| Q1      |          |           | 2SC4081(R,S)  | TRANSISTOR                 |              |          |
| Q2      |          |           | 2SA1576A(R,S) | TRANSISTOR                 |              |          |
| Q3 -5   |          |           | 2SC4081(R,S)  | TRANSISTOR                 |              |          |
| Q6 -11  |          |           | UN5219        | DIGITAL TRANSISTOR         |              |          |
| Q12 ,13 |          |           | 2SA1576A(R,S) | TRANSISTOR                 |              |          |
| Q14     |          |           | DTA124EUA     | DIGITAL TRANSISTOR         |              |          |
| Q14     |          |           | UN5112        | DIGITAL TRANSISTOR         |              |          |
| A1      |          |           | W02-2625-05   | OPTIC RECEIVING MODULE     |              |          |

## HOW TO READ THE PARTS LIST

## ABBREVIATION OF MODEL AND MASS PRODUCTION'S DESTINATIONS

| MODEL        | ABB. | Australia | Canada   | China  | England     | Europe   | Germany | Korea      | Malaysia |
|--------------|------|-----------|----------|--------|-------------|----------|---------|------------|----------|
| VR-407       |      | -         | P        | -      | -           | -        | -       | -          | -        |
| KRF-V7030D   | 7    | -         | -        | -      | -           | -        | -       | -          | -        |
| KRF-V7030D-S |      | X         | -        | -      | -           | -        | -       | -          | I        |
| VR-407-S     |      | -         | -        | -      | -           | -        | -       | -          | -        |
| VR-409       | 9    | -         | P        | -      | -           | -        | -       | -          | -        |
| KRF-V8030D   |      | -         | -        | -      | -           | -        | -       | -          | -        |
| KRF-V8030D-S | 8    | X         | -        | -      | -           | -        | -       | -          | I        |
| KRF-V8030D   |      | -         | -        | -      | -           | E        | -       | -          | -        |
| KRF-V7030D   | 3    | -         | -        | -      | T           | E1       | -       | -          | -        |
| KRF-V7030D   |      | -         | -        | -      | -           | -        | -       | -          | -        |
| MODEL        | ABB. | Mexico    | PX/AAFES | Russia | Scandinavia | Shanghai | USA     | Other area |          |
| VR-407       |      | -         | -        | -      | -           | -        | K       | -          | -        |
| KRF-V7030D   | 7    | -         | Y        | -      | -           | -        | -       | -          | -        |
| KRF-V7030D-S |      | -         | -        | -      | -           | -        | -       | M          | -        |
| VR-407-S     |      | -         | -        | -      | -           | -        | K1      | -          | -        |
| VR-409       | 9    | -         | -        | -      | -           | -        | K       | -          | -        |
| KRF-V8030D   |      | -         | -        | Y      | -           | -        | -       | -          | -        |
| KRF-V8030D-S | 8    | -         | -        | -      | -           | -        | -       | M          | -        |
| KRF-V8030D   |      | -         | -        | -      | -           | -        | -       | -          | -        |
| KRF-V7030D   | 3    | -         | -        | -      | -           | -        | -       | -          | -        |
| KRF-V7030D   |      | -         | -        | -      | -           | -        | -       | -          | -        |

L : Scandinavia

K : USA

P : Canada

R : Mexico

C : China

I : Malaysia

Y : PX(Far East,Hawaii)

T : England

E : Europe

G : Germany

V : China(Shanghai)

Y : AAFES(Europe)

X : Australia

Q : Russia

H : Korea

M : Other Areas

△ indicates safety critical components.

# KRF-V7030D/V8030D/VR-407/409

## SPECIFICATIONS

### For U.S.A and Canada

#### AUDIO section (VR-407)

Rated power output during STEREO operation

100 watts per channel minimum RMS, both channels driven, at 8 Ω from 20 Hz to 20 kHz with no more than 0.7% total harmonic distortion. (FTC)

|  |                                |
|--|--------------------------------|
| Effective power output during SURROUND operation                 |                                |
| FRONT (20-20kHz-z/VR-407, 0.7% T.H.D. at 8 Ω one channel driven) | 100 W + 100 W                  |
| CENTER (20-20kHz, 0.7% T.H.D. at 8 Ω one channel driven)         | 100 W                          |
| SURROUND (20-20kHz, 0.7% T.H.D. at 8 Ω one channel driven)       | 100 W + 100 W                  |
| Total harmonic distortion  | 0.055% (1 kHz, 50W, 8 Ω)       |
| Frequency response   |                                |
| CD   | 10 Hz ~ 53 kHz, +0 dB, -3.0 dB |
| Signal to noise ratio (IHF'66)                                   |                                |
| PHONO (MM)   | 75 dB                          |
| CD   | 91 dB                          |
| Input sensitivity / impedance                                    |                                |
| PHONO (MM)   | 2.5 mV / 27 kΩ                 |
| CD   | 200 mV / 47 kΩ                 |
| MONITOR IN   | 200 mV / 47 kΩ                 |
| Output level / impedance   |                                |
| TAPE REC   | 200 mV / 1 kΩ                  |
| MONITOR OUT  | 200 mV / 1 kΩ                  |
| PRE OUT (SUBWOOFER)  | 2 V / 2.2 kΩ                   |
| Tone control   |                                |
| BASS   | ±10 dB (at 100 Hz)             |
| TREBLE   | ±10 dB (at 10 kHz)             |

#### DIGITAL AUDIO section

|                                       |                                   |
|---------------------------------------|-----------------------------------|
| Sampling frequency                    | 32 kHz, 44.1 kHz, 48 kHz, 96kHz   |
| Input level / impedance / wave length |                                   |
| Optical                               | (-15 dBm ~ -21 dBm), 660 nm ±30nm |
| Coaxial                               | 0.5 Vp-p / 75 Ω                   |

#### VIDEO section

|                            |                   |
|----------------------------|-------------------|
| VIDEO inputs / outputs     |                   |
| VIDEO (composite)          | 1 Vp-p / 75 Ω     |
| S VIDEO (luminance signal) | 1 Vp-p / 75 Ω     |
| (chrominance signal)       | 0.286 Vp-p / 75 Ω |

#### FM tuner section

|  |   |
|--|---|
| Tuning frequency range                     | 87.5 MHz ~ 108 MHz                                  |
| Usable sensitivity (MONO)                  | 1.6 μV (75 Ω) / 15.2 dBf (75 kHz DEV., SINAD 30 dB) |
| 50dB quieting sensitivity                  |   |
| STEREO                                     | 31.6 μV (75 Ω) / 41.2 dBf                           |
| Total harmonic distortion (1 kHz)          |   |
| MONO                                       | 0.6% (65 dBf input)                                 |
| STEREO                                     | 0.7% (65 dBf input)                                 |
| Signal to noise ratio (1 kHz, 75 kHz DEV.) |   |
| MONO                                       | 75 dB (65 dBf input)                                |
| STEREO                                     | 68 dB (65 dBf input)                                |
| Stereo separation (1 kHz)                  | 38 dB   |
| Selectivity (±400 kHz)                     | 70 dB   |
| Frequency response                         | (30 Hz ~ 15kHz), +0.5 dB, -3.0 dB                   |

#### AM tuner section

|   |                     |
|---|---------------------|
| Tuning frequency range                      |                     |
| 10 kHz step                                 | 530 kHz ~ 1,700 kHz |
| Usable sensitivity (30% mod., S/N 20 dB)    | 16 μV / (600 μV/m)  |
| Signal to noise ratio (30% mod. 1 mV input) | 50 dB               |

#### GENERAL

|              |                            |
|--------------|----------------------------|
| AC outlet    |                            |
| SWITCHED     | (total 150 W, 1.25 A max.) |
| Dimensions   | W : 440 mm (17-5/16")      |
|              | H : 143 mm (5-5/8")        |
|              | D : 400 mm (15-3/4")       |
| Weight (Net) | 7.2 kg (15.8 lb)           |

### For other countries

#### AUDIO section (KRF-V7030D)

Effective power output during STEREO operation

1kHz, 10% T.H.D., at 8 Ω ..... 140 W + 140 W

Rated power output during STEREO operation

100 watts per channel minimum RMS, both channels driven, at 8 Ω from 40 Hz, 20Hz to 20 kHz with no more than 0.7% total harmonic distortion.(FTC)

|   |                                |
|---|--------------------------------|
| Effective power output during SURROUND operation      |                                |
| FRONT (1kHz, 10% T.H.D. at 8 Ω one channel driven)    | 140 W + 140 W                  |
| CENTER (1kHz, 10% T.H.D. at 8 Ω one channel driven)   | 140 W                          |
| SURROUND (1kHz, 10% T.H.D. at 8 Ω one channel driven) | 140 W + 140 W                  |
| Total harmonic distortion                             | 0.055% (1 kHz, 50W, 8 Ω)       |
| Frequency response                                    |                                |
| CD  | 10 Hz ~ 50 kHz, +0 dB, -3.0 dB |
| Signal to noise ratio (IHF'66)                        |                                |
| PHONO (MM)  | 75 dB                          |
| CD  | 91 dB                          |
| Input sensitivity / impedance                         |                                |
| PHONO (MM)  | 2.5 mV / 27 kΩ                 |
| CD  | 200 mV / 47 kΩ                 |
| MONITOR IN  | 200 mV / 47 kΩ                 |
| Output level / impedance                              |                                |
| TAPE REC  | 200 mV / 1 kΩ                  |
| MONITOR OUT   | 200 mV / 1 kΩ                  |
| PRE OUT (SUBWOOFER)                                   | 2 V / 2.2 kΩ                   |
| Tone control  |                                |
| BASS (For Australia and U.S-Military)                 | ±10 dB (at 100 Hz)             |
| BASS (Other countries)                                | ±10 dB (at 60 Hz)              |
| TREBLE  | ±10 dB (at 10 kHz)             |

#### DIGITAL AUDIO section

|                                       |                                   |
|---------------------------------------|-----------------------------------|
| Sampling frequency                    | 32 kHz, 44.1 kHz, 48 kHz, 96kHz   |
| Input level / impedance / wave length |                                   |
| Optical                               | (-15 dBm ~ -21 dBm), 660 nm ±30nm |
| Coaxial                               | 0.5 Vp-p / 75 Ω                   |

#### VIDEO section

|                            |                   |
|----------------------------|-------------------|
| VIDEO inputs / outputs     |                   |
| VIDEO (composite)          | 1 Vp-p / 75 Ω     |
| S VIDEO (luminance signal) | 1 Vp-p / 75 Ω     |
| (chrominance signal)       | 0.286 Vp-p / 75 Ω |

#### FM tuner section

|  |   |
|--|---|
| Tuning frequency range                     | 87.5 MHz ~ 108 MHz                                  |
| Usable sensitivity (MONO)                  | 1.6 μV (75 Ω) / 15.2 dBf (75 kHz DEV., SINAD 30 dB) |
| 50dB quieting sensitivity                  |   |
| STEREO                                     | 31.6 μV (75 Ω) / 41.2 dBf                           |
| Total harmonic distortion (1 kHz)          |   |
| MONO                                       | 0.6% (65 dBf input)                                 |
| STEREO                                     | 0.7% (65 dBf input)                                 |
| Signal to noise ratio (1 kHz, 75 kHz DEV.) |   |
| MONO                                       | 75 dB (65 dBf input)                                |
| STEREO                                     | 68 dB (65 dBf input)                                |
| Stereo separation (1 kHz)                  | 38 dB   |
| Selectivity (±400 kHz)                     | 50 dB   |
| Frequency response                         | (30 Hz ~ 15kHz), +0.5 dB, -3.0 dB                   |

#### AM tuner section

|   |                     |
|---|---------------------|
| Tuning frequency range                      |                     |
| 9 kHz step                                  | 531 kHz ~ 1,602 kHz |
| 10 kHz step                                 | 530 kHz ~ 1,610 kHz |
| Usable sensitivity                          | 16 μV / (600 μV/m)  |
| Signal to noise ratio (30% mod. 1 mV input) | 50 dB               |

#### GENERAL

|                   |                   |
|-------------------|-------------------|
| Power consumption |                   |
| AC outlet         |                   |
| SWITCHED          | (total 90 W max.) |
| Dimensions        | W : 440 mm        |
|                   | H : 143 mm        |
|                   | D : 400 mm        |
| Weight (Net)      | 7.4 kg            |

#### Notes

1. KENWOOD follows a policy of continuous advancements in development. For this reason specifications may be changed without notice.
2. The full performance may not be exhibited in an extremely cold location (under a water-freezing temperature).

# KRF-V7030D/V8030D/VR-407/409

## SPECIFICATIONS

For U.S.A and Canada (VR-409)

### AUDIO section

Rated power output during STEREO operation

100 watts per channel minimum RMS, both channels driven, at 8 Ω from 20 Hz to 20 kHz with no more than 0.7% total harmonic distortion. (FTC)

Effective power output during SURROUND operation

|   |   |
|---|---|
| FRONT (20-20kHz, 0.7% T.H.D. at 8 Ω, one channel driven)    | 100 W + 100 W                           |
| CENTER (20-20kHz, 0.7% T.H.D. at 8 Ω, one channel driven)   | 100 W                                   |
| SURROUND (20-20kHz, 0.7% T.H.D. at 8 Ω, one channel driven) | 100 W + 100 W                           |
| Total harmonic distortion                                   | 0.055% (1 kHz, 50W, 8 Ω)                |
| Frequency response  | CD ..... 10 Hz ~ 53 kHz, +0 dB, -3.0 dB |
| Signal to noise ratio (IHF'66)                              | PHONO (MM) ..... 75 dB                  |
|   | CD ..... 91 dB                          |
| Input sensitivity / impedance                               | PHONO (MM) ..... 2.5 mV / 27 kΩ         |
|   | CD ..... 200 mV / 47 kΩ                 |
| Output level / impedance                                    | TAPE REC ..... 200 mV / 1 kΩ            |
|   | PRE OUT (SUBWOOFER) ..... 2 V / 2.2 kΩ  |
| Tone control  | BASS ..... ±10 dB (at 100 Hz)           |
|   | TREBLE ..... ±10 dB (at 10 kHz)         |

### DIGITAL AUDIO section

|                                       |   |
|---------------------------------------|---|
| Sampling frequency                    | 32 kHz, 44.1 kHz, 48 kHz, 96kHz                 |
| Input level / impedance / wave length | Optical ..... (-15 dBm ~ -21 dBm), 660 nm ±30nm |
|                                       | Coaxial ..... 0.5 Vp-p / 75 Ω                   |

### VIDEO section

|                        |  |
|------------------------|--|
| VIDEO inputs / outputs | VIDEO (composite) ..... 1 Vp-p / 75 Ω          |
|                        | S VIDEO (luminance signal) ..... 1 Vp-p / 75 Ω |
|                        | (chrominance signal) ..... 0.286 Vp-p / 75 Ω   |

### FM tuner section

|  |   |
|--|---|
| Tuning frequency range                     | 87.5 MHz ~ 108 MHz                                  |
| Usable sensitivity (MONO)                  | 1.6 μV (75 Ω) / 15.2 dBf (75 kHz DEV., SINAD 30 dB) |
| 50dB quieting sensitivity                  | STEREO ..... 31.6 μV (75 Ω) / 41.2 dBf              |
| Total harmonic distortion (1 kHz)          | MONO ..... 0.6% (65 dBf input)                      |
|  | STEREO ..... 0.7% (65 dBf input)                    |
| Signal to noise ratio (1 kHz, 75 kHz DEV.) | MONO ..... 75 dB (65 dBf input)                     |
|  | STEREO ..... 68 dB (65 dBf input)                   |
| Stereo separation (1 kHz)                  | 38 dB   |
| Selectivity (±400 kHz)                     | 70 dB   |
| Frequency response                         | (30 Hz ~ 15kHz), +0.5 dB, -3.0 dB                   |

### AM tuner section

|   |                                       |
|---|---------------------------------------|
| Tuning frequency range                      | 10 kHz step ..... 530 kHz ~ 1,700 kHz |
| Usable sensitivity (30% mod., S/N 20 dB)    | 16 μV / (600 μV/m)                    |
| Signal to noise ratio (30% mod. 1 mV input) | 50 dB                                 |

### GENERAL

|                   |   |
|-------------------|---|
| Power consumption | 2.6 A                                     |
| AC outlet         | SWITCHED ..... (total 150 W, 1.25 A max.) |
| Dimensions        | W : 440 mm (17-5/16")                     |
|                   | H : 143 mm (5-5/8")                       |
|                   | D : 400 mm (15-3/4")                      |
| Weight (Net)      | 7.4 kg (15.8 lb)                          |

### Notes

1. KENWOOD follows a policy of continuous advancements in development. For this reason specifications may be changed without notice.
2. The full performance may not be exhibited in an extremely cold location (under a water-freezing temperature).

### Note:

Component and circuit are subject to modification to insure best operation under differing local conditions. This manual is based on Europe (E) standard, and provides information on regional circuit modification through use of alternate schematic diagrams, and information on regional component variations through use of parts list.

## KENWOOD CORPORATION

14-6,Dogenzaka 1-chome, Shibuya-ku, Tokyo, 150-8501 Japan

For other countries (KRF-V8030D)

### AUDIO section

Effective power output during STEREO operation

1kHz,10% T.H.D.,at 8 Ω .....140 W + 140 W

Rated power output during STEREO operation

100 watts per channel minimum RMS, both channels driven, at 8 Ω from 20 Hz to 20 kHz with no more than 0.7% total harmonic distortion.(FTC)

Effective power output during SURROUND operation

|  |  |
|--|--|
| FRONT (1kHz, 10% T.H.D. at 8 Ω, one channel driven)    | 140 W + 140 W  |
| CENTER (1kHz, 10% T.H.D. at 8 Ω, one channel driven)   | 140 W  |
| SURROUND (1kHz, 10% T.H.D. at 8 Ω, one channel driven) | 140 W + 140 W  |
| Total harmonic distortion                              | 0.055% (1 kHz, 50W, 8 Ω)                                       |
| Frequency response                                     | CD ..... 10 Hz ~ 53 kHz, +0 dB, -3.0 dB                        |
| Signal to noise ratio (IHF'66)                         | PHONO (MM) ..... 75 dB   |
|  | CD ..... 91 dB   |
| Input sensitivity / impedance                          | PHONO (MM) ..... 2.5 mV / 27 kΩ                                |
|  | CD ..... 200 mV / 47 kΩ  |
| Output level / impedance                               | TAPE REC ..... 200 mV / 1 kΩ                                   |
|  | PRE OUT (SUBWOOFER) ..... 2 V / 2.2 kΩ                         |
| Tone control   | BASS (For Australia and U.S-Military) ..... ±10 dB (at 100 Hz) |
|  | BASS (Other countries) ..... ±10 dB (at 60 Hz)                 |
|  | TREBLE ..... ±10 dB (at 10 kHz)                                |

### DIGITAL AUDIO section

|                                       |   |
|---------------------------------------|---|
| Sampling frequency                    | 32 kHz, 44.1 kHz, 48 kHz, 96kHz                 |
| Input level / impedance / wave length | Optical ..... (-15 dBm ~ -21 dBm), 660 nm ±30nm |
|                                       | Coaxial ..... 0.5 Vp-p / 75 Ω                   |

### VIDEO section

|                        |  |
|------------------------|--|
| VIDEO inputs / outputs | VIDEO (composite) ..... 1 Vp-p / 75 Ω          |
|                        | S VIDEO (luminance signal) ..... 1 Vp-p / 75 Ω |
|                        | (chrominance signal) ..... 0.286 Vp-p / 75 Ω   |

### FM tuner section

|  |   |
|--|---|
| Tuning frequency range                     | 87.5 MHz ~ 108 MHz                                  |
| Usable sensitivity (MONO)                  | 1.6 μV (75 Ω) / 15.2 dBf (75 kHz DEV., SINAD 30 dB) |
| 50dB quieting sensitivity                  | STEREO ..... 31.6 μV (75 Ω) / 41.2 dBf              |
| Total harmonic distortion (1 kHz)          | MONO ..... 0.6% (65 dBf input)                      |
|  | STEREO ..... 0.7% (65 dBf input)                    |
| Signal to noise ratio (1 kHz, 75 kHz DEV.) | MONO ..... 75 dB (65 dBf input)                     |
|  | STEREO ..... 68 dB (65 dBf input)                   |
| Stereo separation (1 kHz)                  | 38 dB   |
| Selectivity (±400 kHz)                     | 50 dB   |
| Frequency response                         | (30 Hz ~ 15kHz), +0.5 dB, -3.0 dB                   |

### AM tuner section

|   |                                       |
|---|---------------------------------------|
| Tuning frequency range                      | 10 kHz step ..... 531 kHz ~ 1,602 kHz |
| Usable sensitivity (30% mod., S/N 20 dB)    | 16 μV / (600 μV/m)                    |
| Signal to noise ratio (30% mod. 1 mV input) | 70 dB                                 |

### GENERAL

|                   |                                  |
|-------------------|----------------------------------|
| Power consumption | 250 W                            |
| AC outlet         | SWITCHED ..... (total 90 W max.) |
| Dimensions        | W : 440 mm                       |
|                   | H : 143 mm                       |
|                   | D : 400 mm                       |
| Weight (Net)      | 7.4 kg                           |

## KENWOOD SERVICE CORPORATION

P.O BOX 22745, 2201 East Dominguez St., Long Beach, CA 90801-5745, U.S.A.