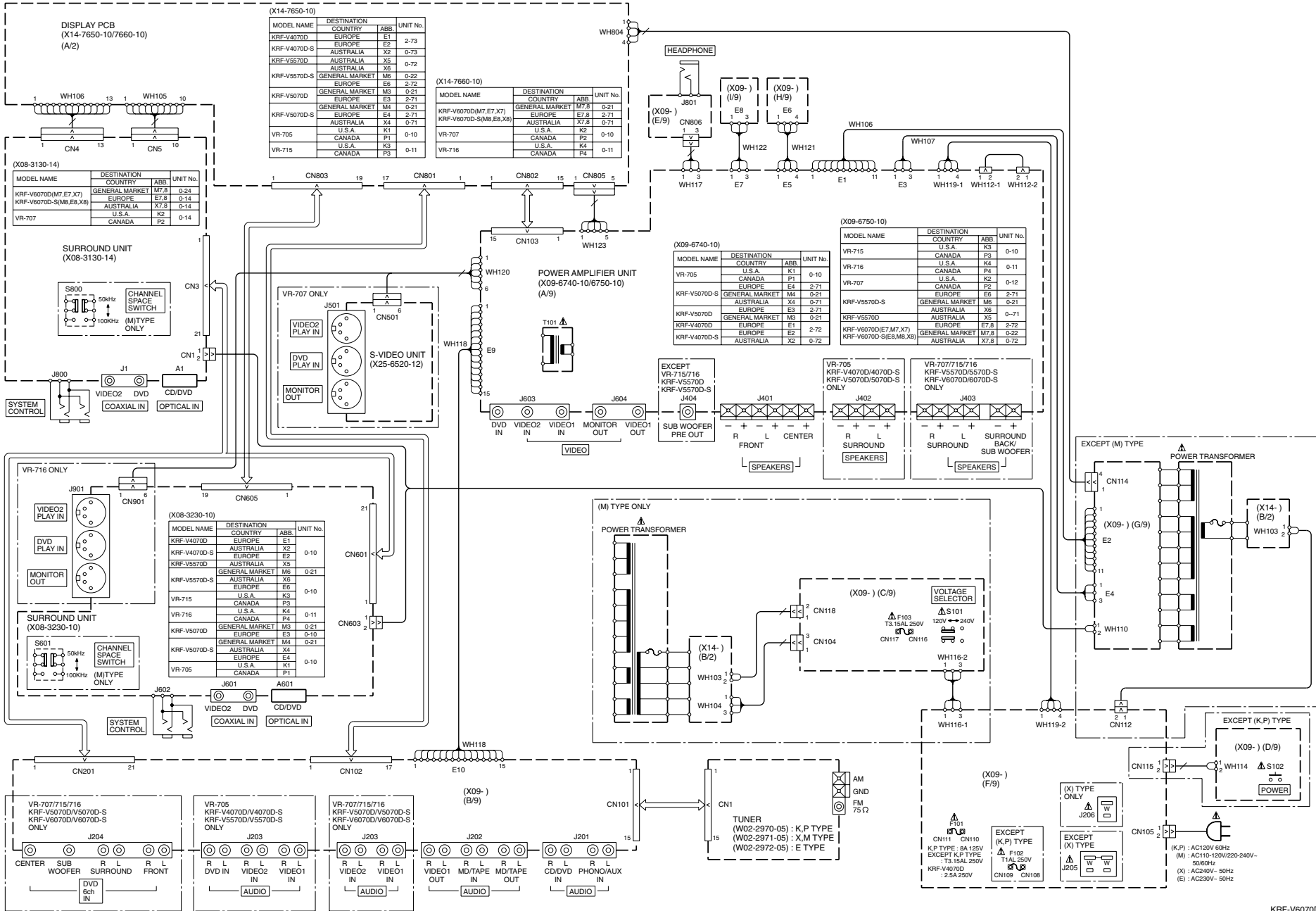
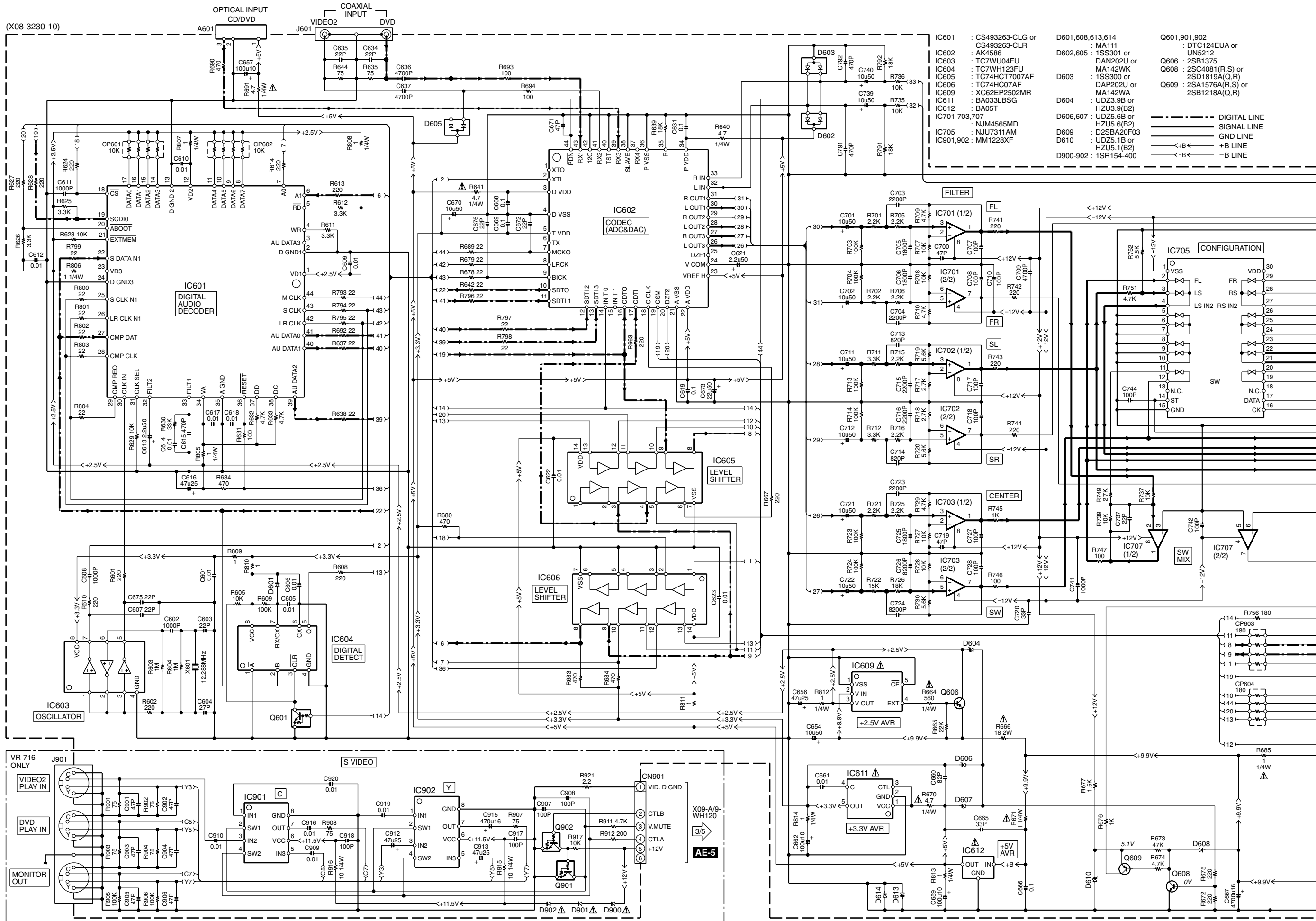


INTERCONNECTION DIAGRAM

KRF-V4070D/V5070D/V6070D/VR-705/707/715/716





- IC601 : CS493263-CLG or
 IC602 : AK4586
 IC603 : TC7WU04FU
 IC604 : TC7WH123FU
 IC605 : TC74HCT7007AF
 IC606 : TC74HC07AF
 IC609 : XC62EP2502MR
 IC611 : BA033LBSG
 IC612 : BA05T
 IC701-703,707 : NJM4565MD
 IC705 : NJU7311AM
 IC901,902 : MM1228XF
- D601,608,613,614 : MA111
 D602,605 : 1SS301 or
 D603 : 1SS300 or
 D604 : UDZ3.9B or
 D606,607 : UDZ5.6B or
 D609 : D2SBA20F03
 D610 : UDZ5.1B or
 D900-902 : 1SR154-400
- Q601,901,902 : DTC124EUA or
 UN5N212
 Q606 : 2SB1375
 Q608 : 2SC4081(R,S) or
 2SD1819A(Q,R)
 Q609 : 2SA1576A(R,S) or
 2SB2128A(Q,R)
- DIGITAL LINE
 --- SIGNAL LINE
 --- GND LINE
 <-+B< --- +B LINE
 <-B< --- -B LINE

(X08-3230-10)

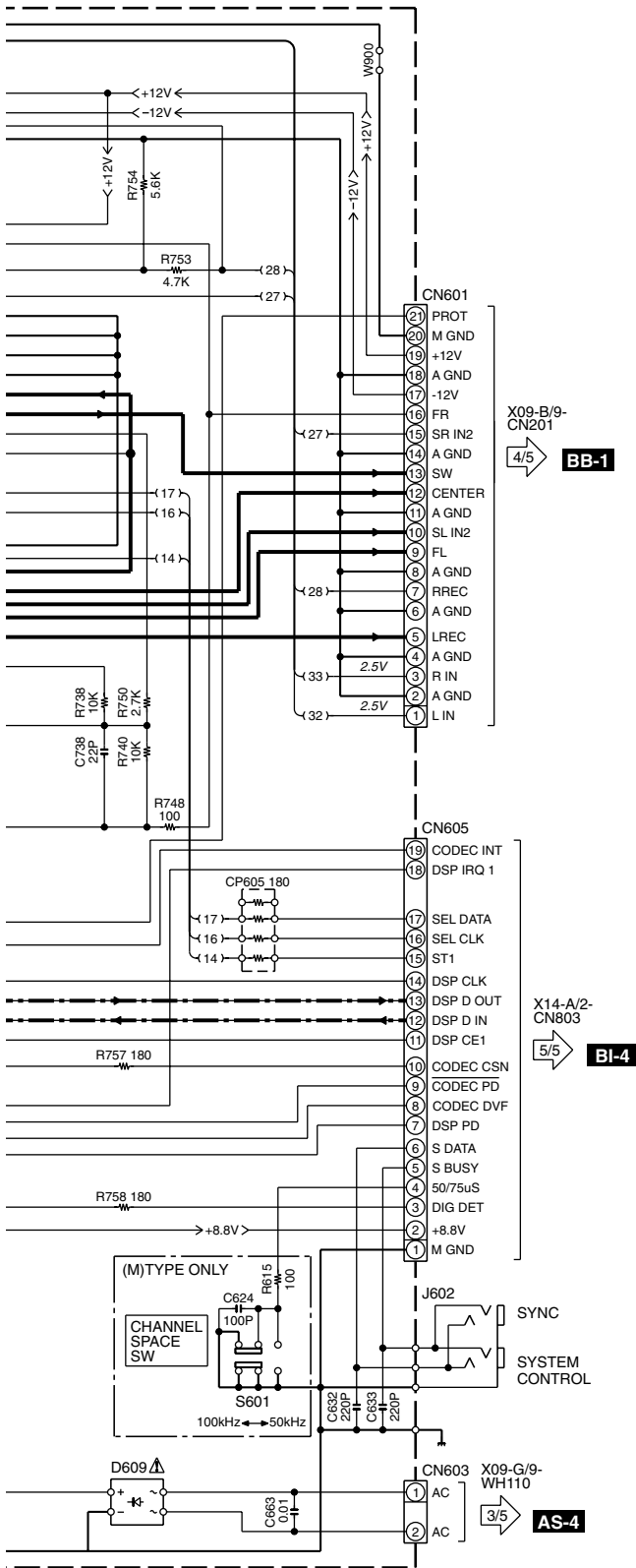
VR-716 ONLY

AE-5

(X08-3230-10)

MODEL NAME	DESTINATION		UNIT No.
	COUNTRY	ABB.	
KRF-V4070D	EUROPE	E1	0-10
KRF-V4070D-S	AUSTRALIA	X2	
	EUROPE	E2	
KRF-V5570D	AUSTRALIA	X5	0-21
KRF-V5570D-S	GENERAL MARKET	M6	
	AUSTRALIA	X6	0-10
	EUROPE	E6	
VR-715	U.S.A.	K3	
	CANADA	P3	0-11
VR-716	U.S.A.	K4	
	CANADA	P4	
KRF-V5070D	GENERAL MARKET	M3	0-21
	EUROPE	E3	0-10
KRF-V5070D-S	GENERAL MARKET	M4	0-21
	AUSTRALIA	X4	0-10
	EUROPE	E4	
	U.S.A.	K1	
VR-705	CANADA	P1	

(X08-3230-10)



KRF-V4070D/V5070D/V5570D (1/5)
VR-705/715/716 (1/5)

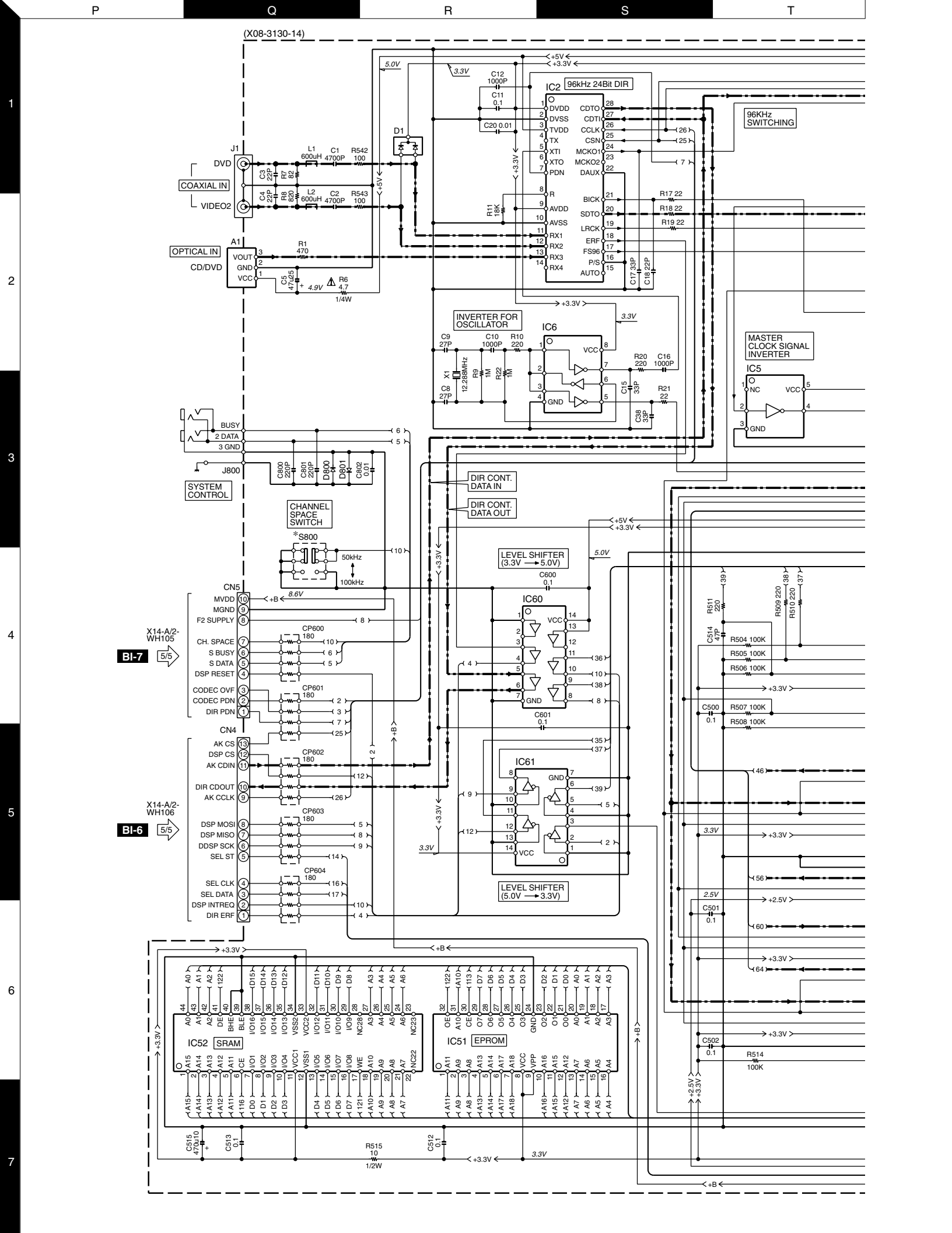
Y05-4640-70

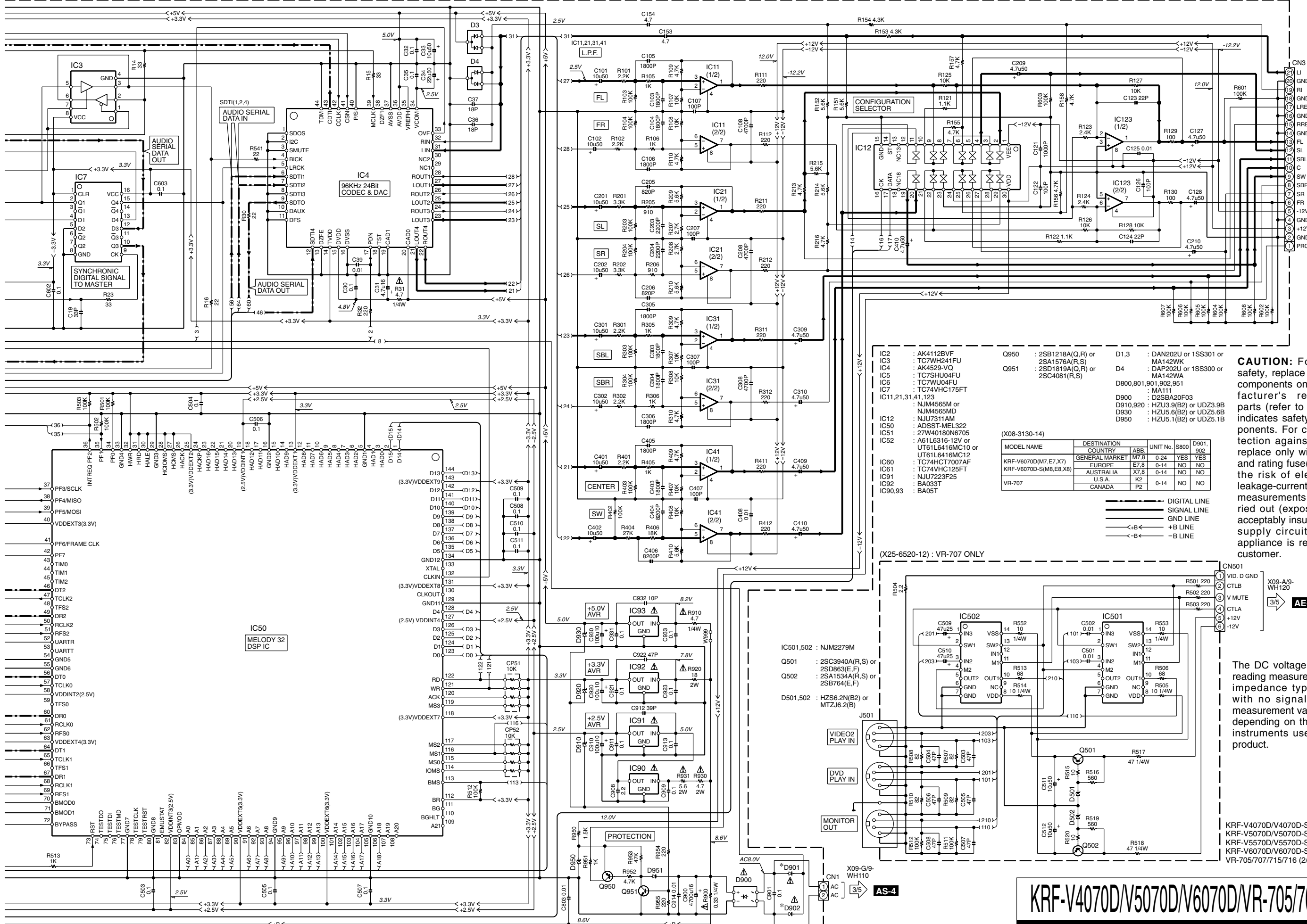
CAUTION: For continued safety, replace safety critical components only with manufacturer's recommended parts (refer to parts list). \triangle indicates safety critical components. For continued protection against risk of fire, replace only with same type and rating fuse(s). To reduce the risk of electric shock, leakage-current or resistance measurements shall be carried out (exposed parts are acceptably insulated from the supply circuit) before the appliance is returned to the customer.

The DC voltage is an actual reading measured with a high impedance type voltmeter with no signal input. The measurement value may vary depending on the measuring instruments used or on the product.

KRF-V4070D/V5070D/V6070D/VR-705/707/715/716

KENWOOD





IC2 : AK4112BVF
 IC3 : TC7WH241FU
 IC4 : AK4529-VQ
 IC5 : TC7SHU04FU
 IC6 : TC7WU04FU
 IC7 : TC7AVHC175FT
 IC11,21,31,41,123 : NJM4558M or NJM4558MD
 IC12 : NJU7311AM
 IC50 : ADSST-MEL322
 IC51 : 27W40180N6705
 IC52 : A61L6316-12V or UT61L6416MC10 or UT61L6416MC12
 IC60 : TC74HCT7007AF
 IC61 : TC74VHC125FT
 IC91 : NJU7223F25
 IC92 : BA033T
 IC90,93 : BA05T

Q950 : 2SB1218A(Q,R) or 2SA1576A(R,S)
 Q951 : 2SD1819A(Q,R) or 2SC4081(R,S)

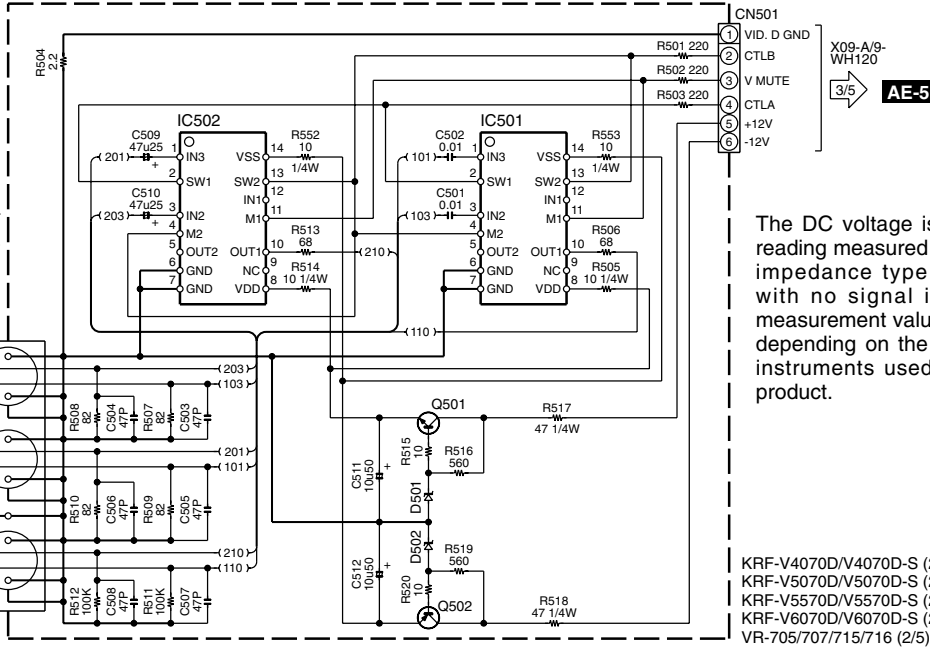
D1,3 : DAN202U or 1SS301 or MA142WK
 D4 : DAP202U or 1SS300 or MA142WA
 D800,801,901,902,951 : MA111
 D900 : D2SBA20F03
 D910,920 : HZU3.9(B2) or UDZ3.9B
 D930 : HZU5.6(B2) or UDZ5.6B
 D950 : HZU5.1(B2) or UDZ5.1B

(X08-3130-14)

MODEL NAME	COUNTRY	ABB.	UNIT No.	S800	D901, 902
KRF-V6070D(M7,E7,X7)	GENERAL MARKET	M7,8	0-24	YES	YES
KRF-V6070D-S(M8,E8,X8)	EUROPE	E7,8	0-14	NO	NO
	AUSTRALIA	X7,8	0-14	NO	NO
	U.S.A.	K2	0-14	NO	NO
VR-707	CANADA	P2	0-14	NO	NO

Legend:
 - - - - - DIGITAL LINE
 _____ SIGNAL LINE
 _____ GND LINE
 <-+B<- +B LINE
 <-B<- -B LINE

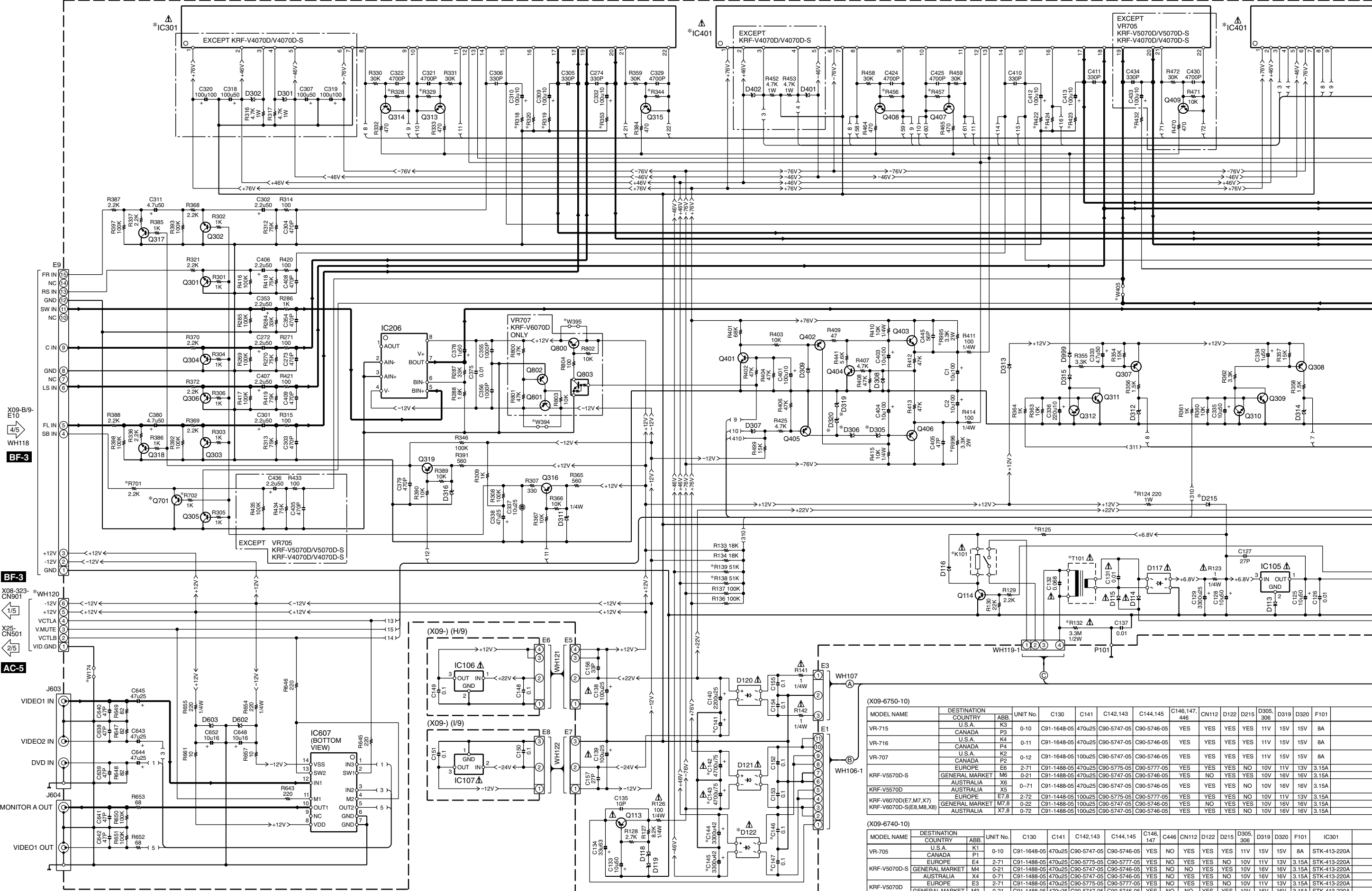
(X25-6520-12) : VR-707 ONLY



CAUTION: For continued safety, replace safety critical components only with manufacturer's recommended parts (refer to parts list). Δ indicates safety critical components. For continued protection against risk of fire, replace only with same type and rating fuse(s). To reduce the risk of electric shock, leakage-current or resistance measurements shall be carried out (exposed parts are acceptably insulated from the supply circuit) before the appliance is returned to the customer.

The DC voltage is an actual reading measured with a high impedance type voltmeter with no signal input. The measurement value may vary depending on the measuring instruments used or on the product.

- KRF-V4070D/V4070D-S (2/5)
- KRF-V5070D/V5070D-S (2/5)
- KRF-V5570D/V5570D-S (2/5)
- KRF-V6070D/V6070D-S (2/5)
- VR-705/707/715/716 (2/5)



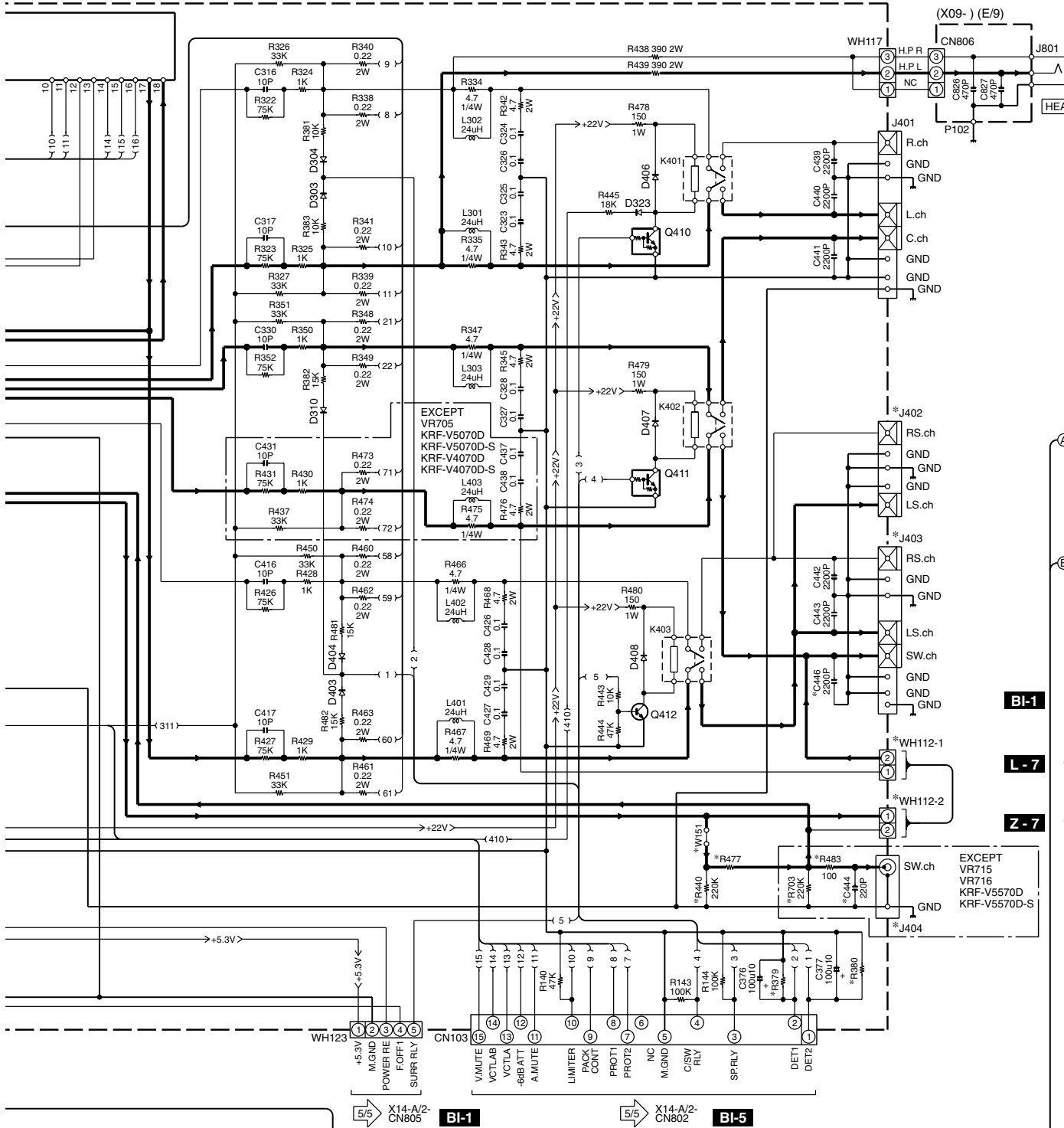
(X09-6750-10)

MODEL NAME	DESTINATION COUNTRY	ABB.	UNIT No.	C130	C141	C142,143	C144,145	C146,147,148	CN112	D122	D215	D305,306	D319	D320	F101
VR-715	U.S.A.	K3	0-10	C91-1648-05	470u25	C90-5747-05	C90-5746-05	YES	YES	YES	YES	11V	15V	15V	8A
	CANADA	P3													
VR-716	U.S.A.	K4	0-11	C91-1648-05	470u25	C90-5747-05	C90-5746-05	YES	YES	YES	YES	11V	15V	15V	8A
	CANADA	P4													
VR-707	U.S.A.	K2	0-12	C91-1648-05	100u25	C90-5747-05	C90-5746-05	YES	YES	YES	YES	11V	15V	15V	8A
	CANADA	P2													
KRF-V5570D-S	EUROPE	E6	2-71	C91-1488-05	470u25	C90-5775-05	C90-5777-05	YES	YES	YES	NO	10V	11V	13V	3.15A
	GENERAL MARKET	M6	0-21	C91-1488-05	470u25	C90-5747-05	C90-5746-05	YES	NO	YES	YES	10V	16V	16V	3.15A
KRF-V5570D	AUSTRALIA	X6	0-71	C91-1488-05	470u25	C90-5747-05	C90-5746-05	YES	YES	YES	NO	10V	16V	16V	3.15A
	EUROPE	E7,8	2-72	C91-1448-05	100u25	C90-5775-05	C90-5777-05	YES	YES	YES	NO	10V	11V	13V	3.15A
KRF-V6070D(E7,M7,X7)	EUROPE	E7,8	2-72	C91-1488-05	100u25	C90-5747-05	C90-5746-05	YES	NO	YES	YES	10V	16V	16V	3.15A
	GENERAL MARKET	M7,8	0-22	C91-1488-05	100u25	C90-5747-05	C90-5746-05	YES	NO	YES	YES	10V	16V	16V	3.15A
KRF-V6070D-S(E8,M8,X8)	AUSTRALIA	X6	0-71	C91-1488-05	470u25	C90-5747-05	C90-5746-05	YES	YES	YES	NO	10V	16V	16V	3.15A
	EUROPE	E7,8	2-72	C91-1488-05	100u25	C90-5775-05	C90-5777-05	YES	YES	YES	NO	10V	16V	16V	3.15A

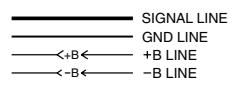
(X09-6740-10)

MODEL NAME	DESTINATION COUNTRY	ABB.	UNIT No.	C130	C141	C142,143	C144,145	C146,147,148	C446	CN112	D122	D215	D305,306	D319	D320	F101	IC301
VR-705	U.S.A.	K1	0-10	C91-1648-05	470u25	C90-5747-05	C90-5746-05	YES	NO	YES	YES	YES	11V	15V	15V	8A	STK-413-220A
	CANADA	P1															
KRF-V5070D-S	EUROPE	E4	2-71	C91-1488-05	470u25	C90-5775-05	C90-5777-05	YES	NO	YES	NO	YES	10V	11V	13V	3.15A	STK-413-220A
	GENERAL MARKET	M4	0-21	C91-1488-05	470u25	C90-5747-05	C90-5746-05	YES	NO	YES	YES	YES	10V	16V	16V	3.15A	STK-413-220A
KRF-V5070D	AUSTRALIA	X4	0-71	C91-1488-05	470u25	C90-5747-05	C90-5746-05	YES	NO	YES	YES	YES	10V	16V	16V	3.15A	STK-413-220A
	EUROPE	E3	2-71	C91-1448-05	100u25	C90-5775-05	C90-5777-05	YES	NO	YES	NO	YES	10V	11V	13V	3.15A	STK-413-220A
KRF-V4070D	EUROPE	E1	2-72	C91-1488-05	470u25	C90-5747-05	C90-5746-05	YES	NO	NO	YES	YES	10V	16V	16V	3.15A	STK-413-220A
	EUROPE	E2	2-72	C91-1488-05	470u25	C90-5775-05	C90-5777-05	NO	NO	NO	NO	NO	10V	NO	NO	2.5A	STK-443-070
KRF-V4070D-S	AUSTRALIA	X1	0-72	C91-1488-05	470u25	C90-5776-05	C90-5746-05	NO	NO	NO	YES	NO	NO	NO	NO	2.5A	STK-443-070

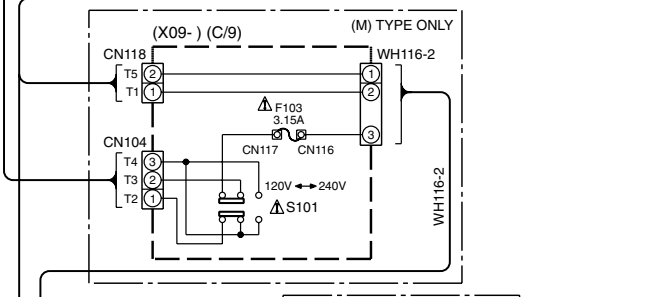
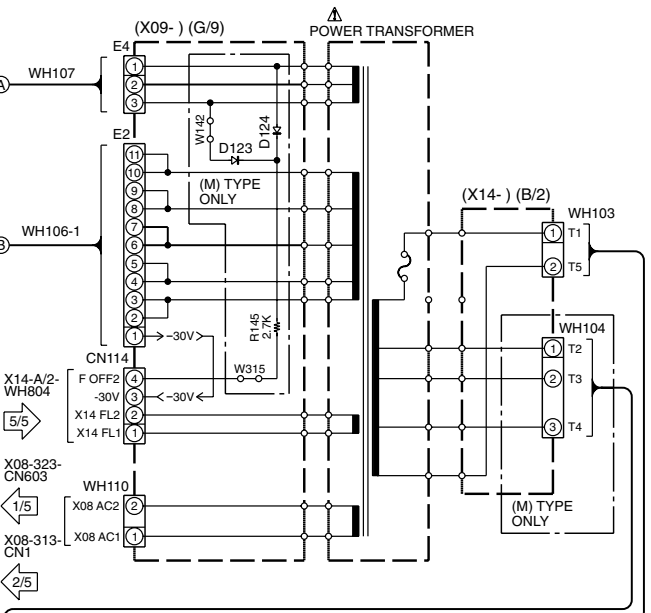
(X09-6740-10/6750-10) (A/9)



- IC105 : BA05T
- IC106 : KIA7812API
- IC107 : KIA7912PI
- IC206 : NJM4565D
- IC301 : *
- IC401 : *
- IC607 : NJM2279D
- D113 : RB441Q-40
- D114,116,123,124,215,303,304,308-310,313,315,323,303,404,406-408 : 1S1333 or 406-408 : HSS104A
- D117 : S1ZB20(4101)
- D118 : MTZJ16(B) or HZS16N(B2)
- D119,301,302,401,402 : MTZJ15(B) or HZS15N(B2)
- D120 : D2SBA20F03
- D121,122 : D5SBA20F03
- D305,306 : *
- D307,311,312,314,316 : MTZJ3.9(B) or HZS3.9N(B2)
- D319 : *
- D320 : *
- D602,603 : MTZJ5.6(B) or HZS5.6N(B2)
- Q113,406 : 2SB1640
- Q114,412 : 2SC1740(Q,R) or 2SC2785(F,E)
- Q301-306,317,318,701 : 2SC2878(B)
- Q307,308,316,319,405,801,802 : 2SA992(F,E)
- Q309-315,401,404,407-409,800 : 2SC1845(F,E)
- Q402 : 2SA1535A
- Q403 : 2SC3944A
- Q410,411,803 : UN4219 or DTC113ZSA

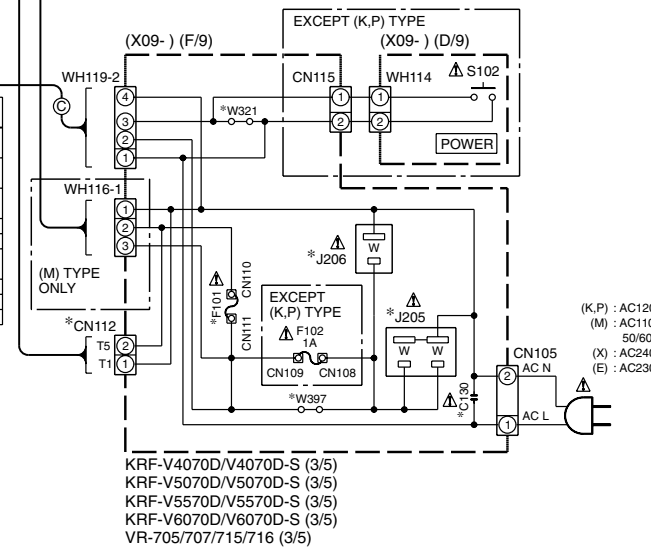


BI-1
L-7
Z-7



IC301, 401	J205	J206	J402	J403	K101	Q409	Q701	R125 (1/4W)	R132	R138,139, 440,995,996	R318,319,353, 422,423	R320, 424	R328,329,344, 456,457	R379, 380	R432	R477	R701, 702	T101	W151	W174	W321, 397	W394,395, 405	WH112	WH120	
STK-413-220A	E03-0396-05	NO	NO	YES	S76-0099-05	YES	NO	YES	27	YES	YES	680	33K	10K	1.2K	2.4K	2.2K	NO	L07-2758-05	YES	NO	YES	YES	NO	NO
STK-413-220A	E03-0396-05	NO	NO	YES	S76-0099-05	YES	NO	YES	27	YES	YES	680	33K	10K	1.2K	2.4K	2.2K	NO	L07-2758-05	YES	YES	YES	YES	NO	YES
STK-413-220A	E03-0396-05	NO	NO	YES	S76-0099-05	YES	YES	YES	27	YES	YES	680	33K	10K	1.2K	680	1K	YES	L07-2758-05	YES	YES	YES	NO	NO	YES
STK-413-220A	E03-0398-05	NO	NO	YES	S76-0102-05	YES	NO	NO	1	NO	YES	820	33K	10K	1.5K	3K	2.2K	NO	L07-2758-05	YES	NO	NO	YES	NO	NO
STK-413-220A	E03-0398-05	NO	NO	YES	S76-0102-05	YES	NO	YES	27	NO	YES	680	33K	10K	1.2K	2.4K	2.2K	NO	L07-2805-05	YES	NO	NO	YES	NO	NO
STK-413-220A	NO	YES	NO	YES	S76-0102-05	YES	NO	NO	1	NO	YES	680	33K	10K	1.2K	2.4K	2.2K	NO	L07-2758-05	YES	NO	NO	YES	NO	NO
STK-413-220A	E03-0398-05	NO	NO	YES	S76-0102-05	YES	NO	NO	1	NO	YES	820	33K	10K	1.5K	820	1K	YES	L07-2758-05	YES	YES	NO	NO	NO	YES
STK-413-220A	E03-0398-05	NO	NO	YES	S76-0102-05	YES	YES	YES	27	NO	YES	680	33K	10K	1.2K	680	1K	YES	L07-2805-05	YES	YES	NO	NO	NO	YES
STK-413-220A	NO	YES	NO	YES	S76-0102-05	YES	YES	NO	1	NO	YES	680	33K	10K	1.2K	680	1K	YES	L07-2758-05	YES	YES	NO	NO	NO	YES

IC401	J205	J206	J402, 404	J403	K101	Q409	Q701	R124	R125 (1/4W)	R132	R138,139, 995,996	R318,319,353, 422,423	R320, 424	R328,329,344, 456,457	R379, 380	R440,477, 701,702	T101	W151,174, 405	W321, 397	W394, 395	WH112	WH120	
STK-412-220A	E03-0396-05	NO	YES	NO	S76-0099-05	NO	NO	YES	27	YES	YES	680	33K	10K	1.2K	NO	L07-2758-05	NO	YES	YES	YES	YES	NO
STK-412-220A	E03-0398-05	NO	YES	NO	S76-0102-05	NO	NO	1	NO	YES	820	33K	10K	1.5K	NO	L07-2758-05	NO	NO	YES	YES	YES	NO	NO
STK-412-220A	E03-0398-05	NO	YES	NO	S76-0102-05	NO	NO	YES	27	NO	YES	680	33K	10K	1.2K	NO	L07-2805-05	NO	NO	YES	YES	YES	NO
STK-412-220A	NO	YES	YES	NO	S76-0102-05	NO	NO	1	NO	YES	820	33K	10K	1.2K	NO	L07-2758-05	NO	NO	YES	YES	YES	NO	NO
STK-412-220A	E03-0398-05	NO	YES	NO	S76-0102-05	NO	NO	1	NO	YES	820	33K	10K	1.5K	NO	L07-2758-05	NO	NO	YES	YES	YES	NO	NO
STK-412-220A	E03-0398-05	NO	YES	NO	S76-0102-05	NO	YES	27	NO	YES	680	33K	10K	1.2K	NO	L07-2805-05	NO	NO	YES	YES	YES	NO	NO
STK-442-070	E03-0398-05	NO	YES	NO	S76-0102-05	NO	NO	1	NO	NO	820	10K	22K	1.5K	NO	L07-2758-05	NO	NO	YES	YES	YES	NO	NO
STK-442-070	NO	YES	YES	NO	S76-0102-05	NO	NO	1	NO	NO	680	10K	22K	1.2K	NO	L07-2758-05	NO	NO	YES	YES	YES	NO	NO



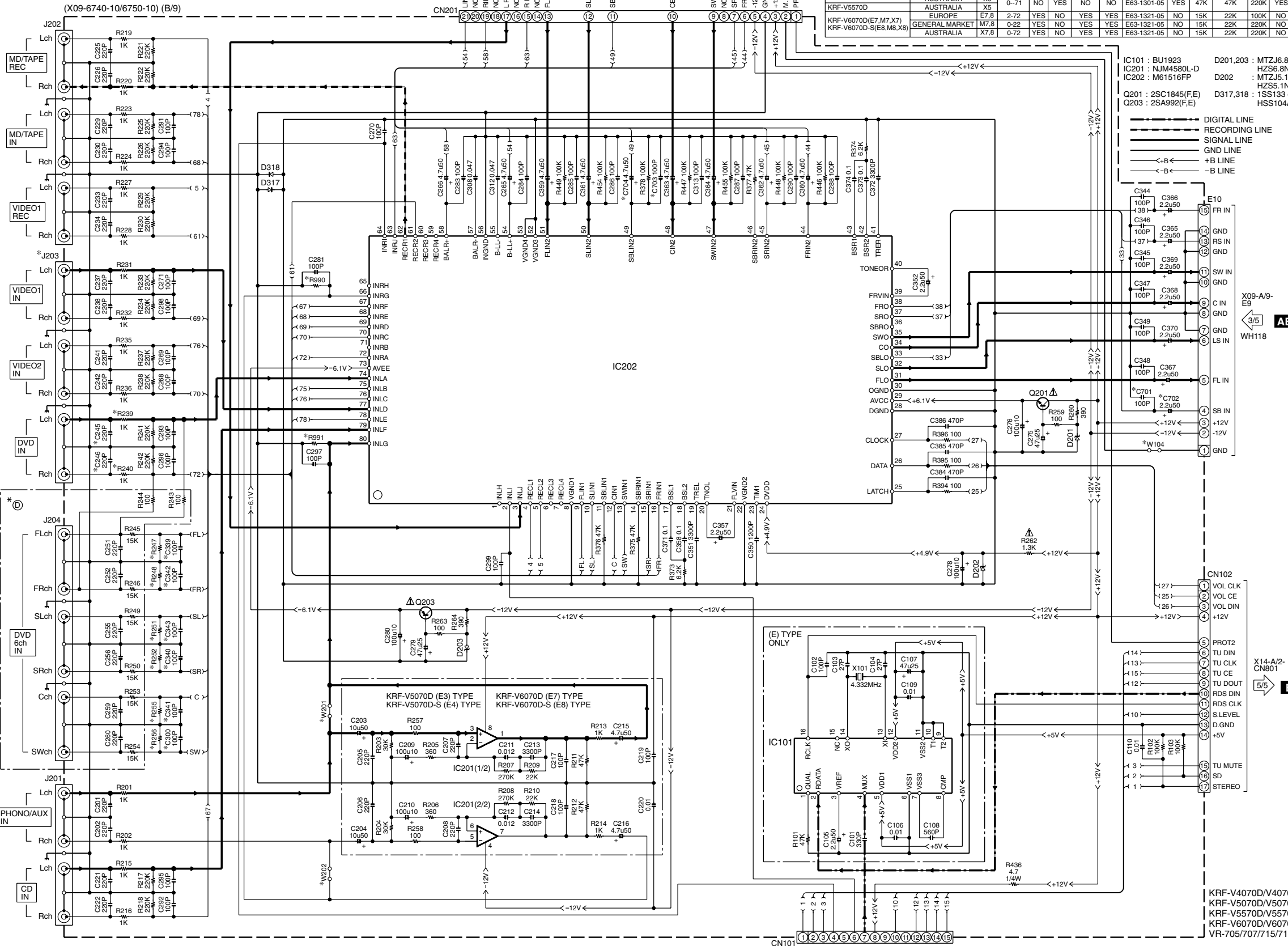
CAUTION: For continued safety, replace safety critical components only with manufacturer's recommended parts (refer to parts list). Δ indicates safety critical components. For continued protection against risk of fire, replace only with same type and rating fuse(s). To reduce the risk of electric shock, leakage-current or resistance measurements shall be carried out (exposed parts are acceptably insulated from the supply circuit) before the appliance is returned to the customer.

The DC voltage is an actual reading measured with a high impedance type voltmeter with no signal input. The measurement value may vary depending on the measuring instruments used or on the product.

KRF-V4070D/V5070D/V6070D/VR-705/707/715/716

(X09-6740-10)													
MODEL NAME	DESTINATION COUNTRY	ABB.	UNIT No.	Ⓧ	C245, 246	C300, 339-343	C701-704	J203	R239, 240	R247, 248	R251,252, 255,256	R990, 991	W104
VR-705	U.S.A.	K1	0-10	NO	YES	NO	NO	E63-1301-05	YES	47K	47K	220K	YES
	CANADA	P1											
KRF-V5070D-S	EUROPE	E4	2-71	YES	NO	YES	NO	E63-1321-05	NO	15K	22K	100K	YES
	GENERAL MARKET	M4											
	AUSTRALIA	X4											
KRF-V5070D	EUROPE	E3	2-71	YES	NO	YES	NO	E63-1321-05	NO	15K	22K	100K	YES
	GENERAL MARKET	M3											
	AUSTRALIA	X3											
KRF-V4070D	EUROPE	E1	2-72	NO	YES	NO	NO	E63-1301-05	YES	47K	47K	220K	YES
KRF-V4070D-S	AUSTRALIA	X2	0-72	NO	YES	NO	NO	E63-1301-05	YES	47K	47K	220K	YES

(X09-6750-10)													
MODEL NAME	DESTINATION COUNTRY	ABB.	UNIT No.	Ⓧ	C245, 246	C300, 339-343	C701-704	J203	R239, 240	R247, 248	R251,252, 255,256	R990, 991	W104
VR-715	U.S.A.	K3	0-10	YES	NO	YES	NO	E63-1321-05	NO	15K	22K	220K	YES
	CANADA	P3											
VR-716	U.S.A.	K4	0-11	YES	NO	YES	NO	E63-1321-05	NO	15K	22K	220K	YES
	CANADA	P4											
VR-707	U.S.A.	K2	0-12	YES	NO	YES	YES	E63-1321-05	NO	15K	22K	220K	NO
	EUROPE	E6											
	GENERAL MARKET	M6											
KRF-V5570D-S	EUROPE	E6	2-71	NO	YES	NO	NO	E63-1301-05	YES	47K	47K	220K	YES
	GENERAL MARKET	M6											
	AUSTRALIA	X6											
KRF-V5570D	EUROPE	E7.8	2-72	YES	NO	YES	YES	E63-1321-05	NO	15K	22K	100K	NO
	AUSTRALIA	X5											
	GENERAL MARKET	M7.8											
KRF-V6070D(E7,M7,X7)	EUROPE	E7.8	0-22	YES	NO	YES	YES	E63-1321-05	NO	15K	22K	220K	NO
	GENERAL MARKET	M7.8											
	AUSTRALIA	X7.8											



IC101 : BU1923
 IC201 : NJM4580L-D
 IC202 : M61516FP

D201,203 : MTZJ6.8(B) or HZS6.8N(B2)
 D202 : MTZJ5.1(B) or HZS5.1N(B2)
 D317,318 : 1SS133 or HSS104A

Q201 : 2SC1845(FE)
 Q203 : 2SA992(FE)

--- DIGITAL LINE
 --- RECORDING LINE
 --- SIGNAL LINE
 --- GND LINE
 --- +B LINE
 --- -B LINE

X09-A/9-E9
 WH118

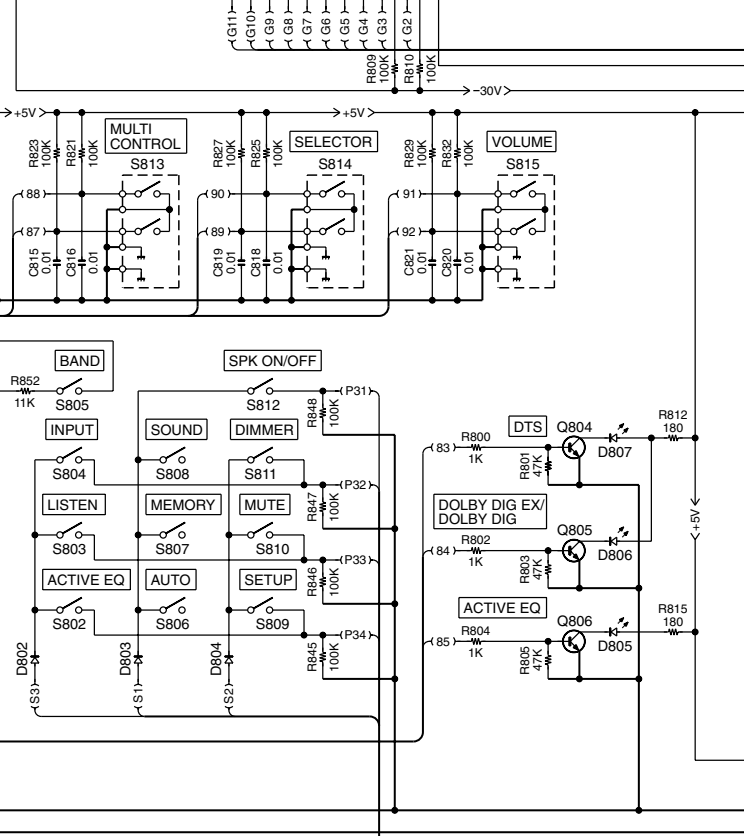
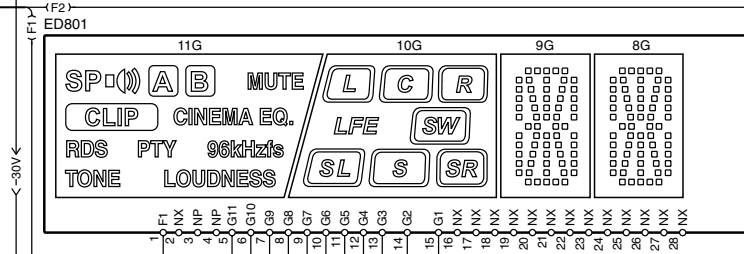
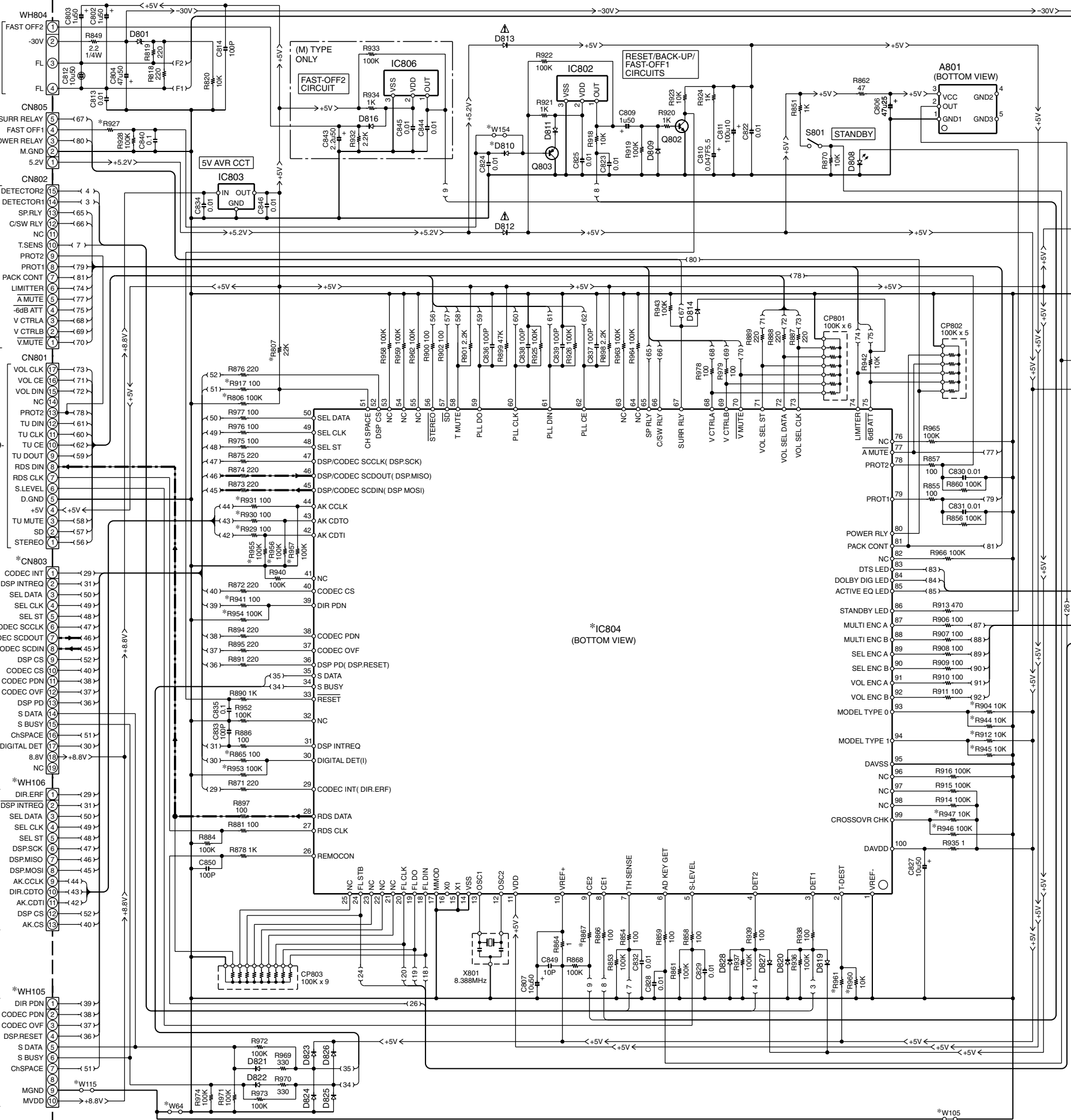
X14-A/2-CN801
 BI-3

KRF-V4070D/V4070D-S (4/5)
 KRF-V5070D/V5070D-S (4/5)
 KRF-V5570D/V5570D-S (4/5)
 KRF-V6070D/V6070D-S (4/5)
 VR-705/707/715/716 (4/5)

CAUTION: For continued safety, replace safety critical components only with manufacturer's recommended parts (refer to parts list). Δ indicates safety critical components. For continued protection against risk of fire, replace only with same type and rating fuse(s). To reduce the risk of electric shock, leakage-current or resistance measurements shall be carried out (exposed parts are acceptably insulated from the supply circuit) before the appliance is returned to the customer.

The DC voltage is an actual reading measured with a high impedance type voltmeter with no signal input. The measurement value may vary depending on the measuring instruments used or on the product.

KRF-V4070D/V5070D/V6070D/VR-705/707/715/716



(X14-7650-10)

MODEL NAME	COUNTRY	ABB.	UNIT No.	(A)	CN803	D810	IC804	R806	R807, 917	R865, 954-957	R867
KRF-V4070D	EUROPE	E1	2-73	NO	YES	NO	MN101C49KLE	YES	NO	YES	100
KRF-V4070D-S	AUSTRALIA	X2	0-73	NO	YES	NO	MN101C49KLE	YES	NO	YES	100
KRF-V5570D	AUSTRALIA	X5	0-72	NO	YES	NO	MN101C49KLE	YES	NO	YES	100
KRF-V5570D-S	GENERAL MARKET	M6	0-22	YES	YES	YES	MN101C49KLE	NO	YES	YES	100K
KRF-V5070D	EUROPE	E6	2-72	NO	YES	NO	MN101C49KLE	YES	NO	YES	100
KRF-V5070D-S	EUROPE	E3	2-71	NO	YES	NO	MN101C49KLE	YES	NO	YES	100
KRF-V5070D-S	GENERAL MARKET	M4	0-21	YES	YES	YES	MN101C49KLE	NO	YES	YES	100K
VR-705	U.S.A.	K1	0-10	NO	YES	YES	MN101C49KLE	YES	NO	YES	100
VR-715	U.S.A.	K3	0-11	NO	YES	YES	MN101C49KLE	YES	NO	YES	100

(X14-7660-10)

MODEL NAME	COUNTRY	ABB.	UNIT No.	(A)	CN803	D810	IC804	R806	R807, 917
KRF-V6070D(M7,E7,X7)	GENERAL MARKET	M7,8	0-21	YES	NO	YES	MN101C49GGR	NO	YES
KRF-V6070D-S(M8,E8,X8)	EUROPE	E7,8	2-71	NO	NO	NO	MN101C49GGR	YES	NO
VR-707	U.S.A.	K2	0-10	NO	NO	NO	MN101C49GGR	YES	NO
VR-716	U.S.A.	K4	0-11	NO	YES	YES	MN101C49KLE	YES	NO

IC801 : MN12510F
 IC802, 806 : S-80840CNY
 IC803 : XC6202P502TH
 IC804 : *

D801 : MTZJ6.2(B) or RD6.2ES(B)
 D802-804, 809-811, 814, 816, 819-828 : 1SS133 or HSS104A
 D805-808 : B30-2545-05
 D812, 813 : RB441Q-40

Q802, 804-807 : 2SC1740S(Q,R) or 2SC2785(F,E)
 Q803 : 2SA933AS(Q,R) or 2SA1175(F,E)

KRF-V4070D/V4070D-S (5/5)
 KRF-V5070D/V5070D-S (5/5)
 KRF-V5570D/V5570D-S (5/5)
 KRF-V6070D/V6070D-S (5/5)
 VR-705/707/715/716 (5/5)

1
2
3
4
5
6
7

AS-4
 AP-5
 AC-5
 BF-5
 L-5
 P-5
 P-4

WH804
 CN805
 CN802
 CN801
 CN803
 WH106
 WH105
 WH105

FAST OFF2
 SURR RELAY
 POWER RELAY
 DETECTOR2
 DETECTOR1
 SP.RLY
 C/SW RLY
 NC
 T.SENS
 PROT2
 PROT1
 PACK CONT
 LIMITTER
 A MUTE
 -6dB ATT
 V CTRLA
 V CTRLB
 VMUTE
 VOL CLK
 VOL CE
 VOL DIN
 NC
 PROT2
 TU DIN
 TU CLK
 TU CE
 TU DOUT
 RDS DIN
 RDS CLK
 S.LEVEL
 D.GND
 +5V
 TU MUTE
 SD
 STEREO
 CODEC INT
 DSP INTREQ
 SEL DATA
 SEL CLK
 SEL ST
 DSP/CODEC SCCLK
 DSP/CODEC SCOUT
 DSP/CODEC SCIN
 DSP CS
 CODEC CS
 CODEC PDN
 CODEC OVF
 DSP PD
 S DATA
 S BUSY
 ChSPACE
 DIGITAL DET
 8.8V
 NC
 DIR.ERF
 DSP INTREQ
 SEL DATA
 SEL CLK
 SEL ST
 DSP.SCK
 DSP.MISO
 DSP.MOSI
 AK.CCLK
 DIR.CDIO
 AK.CDIO
 DSP CS
 AK.CS

IC803
 IC802
 IC804 (BOTTOM VIEW)
 IC801

FAST-OFF2 CIRCUIT
 (M) TYPE ONLY
 RESET/BACK-UP/FAST-OFF1 CIRCUITS
 STANDBY
 MULTI CONTROL
 SELECTOR
 VOLUME
 BAND
 INPUT
 LISTEN
 ACTIVE EQ
 SOUND
 DIMMER
 MUTE
 MEMORY
 SETUP
 SPK ON/OFF
 DTS
 DOLBY DIG EX/DOLBY DIG
 ACTIVE EQ

SEL DATA
 CH SPACE
 DSP CS
 NC
 NC
 NC
 STEREO
 SD
 T MUTE
 PLL DO
 PLL CLK
 PLL DIN
 PLL CE
 NC
 NC
 NC
 SP RLY
 SURR RLY
 V CTRLA
 V CTRLB
 VMUTE
 VOL SEL ST
 VOL SEL DATA
 VOL SEL CLK
 LIMITER
 A MUTE
 PROT2
 PROT1
 POWER RLY
 PACK CONT
 NC
 DTS LED
 DOLBY DIG LED
 ACTIVE EQ LED
 STANDBY LED
 MULTI ENC A
 MULTI ENC B
 SEL ENC A
 SEL ENC B
 VOL ENC A
 VOL ENC B
 MODEL TYPE 0
 MODEL TYPE 1
 DAVSS
 NC
 NC
 NC
 CROSSOVR CHK
 DAVDD

R801, 2.2K
 R802, 100K
 R803, 100K
 R804, 100K
 R805, 100K
 R806, 100K
 R807, 100K
 R808, 100K
 R809, 100K
 R810, 100K
 R811, 100K
 R812, 100K
 R813, 100K
 R814, 100K
 R815, 100K
 R816, 100K
 R817, 100K
 R818, 100K
 R819, 100K
 R820, 100K
 R821, 100K
 R822, 100K
 R823, 100K
 R824, 100K
 R825, 100K
 R826, 100K
 R827, 100K
 R828, 100K
 R829, 100K
 R830, 100K
 R831, 100K
 R832, 100K
 R833, 100K
 R834, 100K
 R835, 100K
 R836, 100K
 R837, 100K
 R838, 100K
 R839, 100K
 R840, 100K
 R841, 100K
 R842, 100K
 R843, 100K
 R844, 100K
 R845, 100K
 R846, 100K
 R847, 100K
 R848, 100K
 R849, 100K
 R850, 100K
 R851, 100K
 R852, 100K
 R853, 100K
 R854, 100K
 R855, 100K
 R856, 100K
 R857, 100K
 R858, 100K
 R859, 100K
 R860, 100K
 R861, 100K
 R862, 100K
 R863, 100K
 R864, 100K
 R865, 100K
 R866, 100K
 R867, 100K
 R868, 100K
 R869, 100K
 R870, 100K
 R871, 100K
 R872, 100K
 R873, 100K
 R874, 100K
 R875, 100K
 R876, 100K
 R877, 100K
 R878, 100K
 R879, 100K
 R880, 100K
 R881, 100K
 R882, 100K
 R883, 100K
 R884, 100K
 R885, 100K
 R886, 100K
 R887, 100K
 R888, 100K
 R889, 100K
 R890, 100K
 R891, 100K
 R892, 100K
 R893, 100K
 R894, 100K
 R895, 100K
 R896, 100K
 R897, 100K
 R898, 100K
 R899, 100K
 R900, 100K
 R901, 100K
 R902, 100K
 R903, 100K
 R904, 100K
 R905, 100K
 R906, 100K
 R907, 100K
 R908, 100K
 R909, 100K
 R910, 100K
 R911, 100K
 R912, 100K
 R913, 100K
 R914, 100K
 R915, 100K
 R916, 100K
 R917, 100K
 R918, 100K
 R919, 100K
 R920, 100K
 R921, 100K
 R922, 100K
 R923, 100K
 R924, 100K
 R925, 100K
 R926, 100K
 R927, 100K
 R928, 100K
 R929, 100K
 R930, 100K
 R931, 100K
 R932, 100K
 R933, 100K
 R934, 100K
 R935, 100K
 R936, 100K
 R937, 100K
 R938, 100K
 R939, 100K
 R940, 100K
 R941, 100K
 R942, 100K
 R943, 100K
 R944, 100K
 R945, 100K
 R946, 100K
 R947, 100K
 R948, 100K
 R949, 100K
 R950, 100K

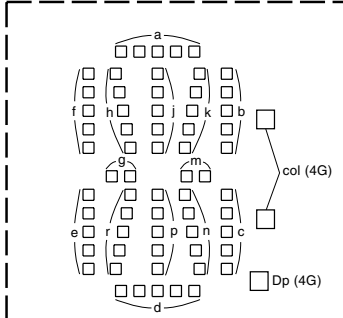
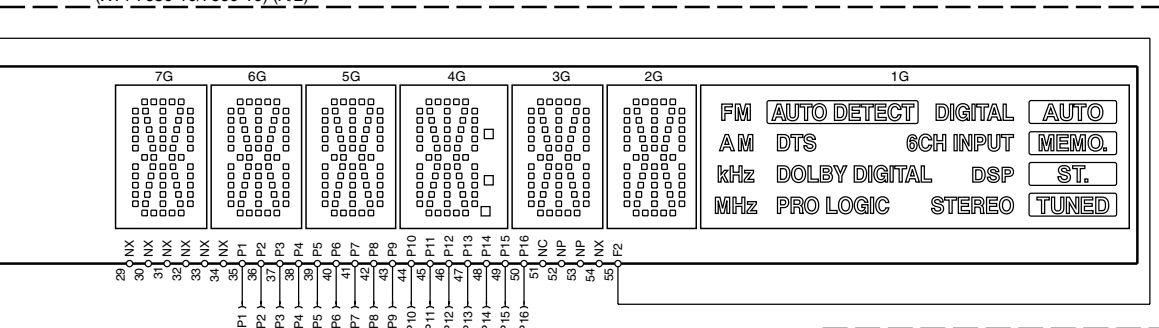
C801, 0.01
 C802, 0.01
 C803, 0.01
 C804, 0.01
 C805, 0.01
 C806, 0.01
 C807, 0.01
 C808, 0.01
 C809, 0.01
 C810, 0.01
 C811, 0.01
 C812, 0.01
 C813, 0.01
 C814, 0.01
 C815, 0.01
 C816, 0.01
 C817, 0.01
 C818, 0.01
 C819, 0.01
 C820, 0.01
 C821, 0.01
 C822, 0.01
 C823, 0.01
 C824, 0.01
 C825, 0.01
 C826, 0.01
 C827, 0.01
 C828, 0.01
 C829, 0.01
 C830, 0.01
 C831, 0.01
 C832, 0.01
 C833, 0.01
 C834, 0.01
 C835, 0.01
 C836, 0.01
 C837, 0.01
 C838, 0.01
 C839, 0.01
 C840, 0.01
 C841, 0.01
 C842, 0.01
 C843, 0.01
 C844, 0.01
 C845, 0.01
 C846, 0.01
 C847, 0.01
 C848, 0.01
 C849, 0.01
 C850, 0.01
 C851, 0.01
 C852, 0.01
 C853, 0.01
 C854, 0.01
 C855, 0.01
 C856, 0.01
 C857, 0.01
 C858, 0.01
 C859, 0.01
 C860, 0.01
 C861, 0.01
 C862, 0.01
 C863, 0.01
 C864, 0.01
 C865, 0.01
 C866, 0.01
 C867, 0.01
 C868, 0.01
 C869, 0.01
 C870, 0.01
 C871, 0.01
 C872, 0.01
 C873, 0.01
 C874, 0.01
 C875, 0.01
 C876, 0.01
 C877, 0.01
 C878, 0.01
 C879, 0.01
 C880, 0.01
 C881, 0.01
 C882, 0.01
 C883, 0.01
 C884, 0.01
 C885, 0.01
 C886, 0.01
 C887, 0.01
 C888, 0.01
 C889, 0.01
 C890, 0.01
 C891, 0.01
 C892, 0.01
 C893, 0.01
 C894, 0.01
 C895, 0.01
 C896, 0.01
 C897, 0.01
 C898, 0.01
 C899, 0.01
 C900, 0.01
 C901, 0.01
 C902, 0.01
 C903, 0.01
 C904, 0.01
 C905, 0.01
 C906, 0.01
 C907, 0.01
 C908, 0.01
 C909, 0.01
 C910, 0.01
 C911, 0.01
 C912, 0.01
 C913, 0.01
 C914, 0.01
 C915, 0.01
 C916, 0.01
 C917, 0.01
 C918, 0.01
 C919, 0.01
 C920, 0.01
 C921, 0.01
 C922, 0.01
 C923, 0.01
 C924, 0.01
 C925, 0.01
 C926, 0.01
 C927, 0.01
 C928, 0.01
 C929, 0.01
 C930, 0.01
 C931, 0.01
 C932, 0.01
 C933, 0.01
 C934, 0.01
 C935, 0.01
 C936, 0.01
 C937, 0.01
 C938, 0.01
 C939, 0.01
 C940, 0.01
 C941, 0.01
 C942, 0.01
 C943, 0.01
 C944, 0.01
 C945, 0.01
 C946, 0.01
 C947, 0.01
 C948, 0.01
 C949, 0.01
 C950, 0.01
 C951, 0.01
 C952, 0.01
 C953, 0.01
 C954, 0.01
 C955, 0.01
 C956, 0.01
 C957, 0.01
 C958, 0.01
 C959, 0.01
 C960, 0.01
 C961, 0.01
 C962, 0.01
 C963, 0.01
 C964, 0.01
 C965, 0.01
 C966, 0.01
 C967, 0.01
 C968, 0.01
 C969, 0.01
 C970, 0.01
 C971, 0.01
 C972, 0.01
 C973, 0.01
 C974, 0.01
 C975, 0.01
 C976, 0.01
 C977, 0.01
 C978, 0.01
 C979, 0.01
 C980, 0.01
 C981, 0.01
 C982, 0.01
 C983, 0.01
 C984, 0.01
 C985, 0.01
 C986, 0.01
 C987, 0.01
 C988, 0.01
 C989, 0.01
 C990, 0.01
 C991, 0.01
 C992, 0.01
 C993, 0.01
 C994, 0.01
 C995, 0.01
 C996, 0.01
 C997, 0.01
 C998, 0.01
 C999, 0.01
 C1000, 0.01

D801
 D802
 D803
 D804
 D805
 D806
 D807
 D808
 D809
 D810
 D811
 D812
 D813
 D814
 D815

Q801
 Q802
 Q803
 Q804
 Q805
 Q806
 Q807
 Q808
 Q809
 Q810
 Q811
 Q812
 Q813
 Q814
 Q815
 Q816
 Q817
 Q818
 Q819
 Q820
 Q821
 Q822
 Q823
 Q824
 Q825
 Q826
 Q827
 Q828
 Q829
 Q830
 Q831
 Q832
 Q833
 Q834
 Q835
 Q836
 Q837
 Q838
 Q839
 Q840
 Q841
 Q842
 Q843
 Q844
 Q845
 Q846
 Q847
 Q848
 Q849
 Q850
 Q851
 Q852
 Q853
 Q854
 Q855
 Q856
 Q857
 Q858
 Q859
 Q860
 Q861
 Q862
 Q863
 Q864
 Q865
 Q866
 Q867
 Q868
 Q869
 Q870
 Q871
 Q872
 Q873
 Q874
 Q875
 Q876
 Q877
 Q878
 Q879
 Q880
 Q881
 Q882
 Q883
 Q884
 Q885
 Q886
 Q887
 Q888
 Q889
 Q890
 Q891
 Q892
 Q893
 Q894
 Q895
 Q896
 Q897
 Q898
 Q899
 Q900
 Q901
 Q902
 Q903
 Q904
 Q905
 Q906
 Q907
 Q908
 Q909
 Q910
 Q911
 Q912
 Q913
 Q914
 Q915
 Q916
 Q917
 Q918
 Q919
 Q920
 Q921
 Q922
 Q923
 Q924
 Q925
 Q926
 Q927
 Q928
 Q929
 Q930
 Q931
 Q932
 Q933
 Q934
 Q935
 Q936
 Q937
 Q938
 Q939
 Q940
 Q941
 Q942
 Q943
 Q944
 Q945
 Q946
 Q947
 Q948
 Q949
 Q950
 Q951
 Q952
 Q953
 Q954
 Q955
 Q956
 Q957
 Q958
 Q959
 Q960
 Q961
 Q962
 Q963
 Q964
 Q965
 Q966
 Q967
 Q968
 Q969
 Q970
 Q971
 Q972
 Q973
 Q974
 Q975
 Q976
 Q977
 Q978
 Q979
 Q980
 Q981
 Q982
 Q983
 Q984
 Q985
 Q986
 Q987
 Q988
 Q989
 Q990
 Q991
 Q992
 Q993
 Q994
 Q995
 Q996
 Q997
 Q998
 Q999
 Q1000

CP801
 CP802
 CP803
 CP804
 CP805
 CP806
 CP807
 CP808
 CP809
 CP810
 CP811
 CP812
 CP813
 CP814
 CP815
 CP816
 CP817
 CP818
 CP819
 CP820
 CP821
 CP822
 CP823
 CP824
 CP825
 CP826
 CP827
 CP828
 CP829
 CP830
 CP831
 CP832
 CP833
 CP834
 CP835
 CP836
 CP837
 CP838
 CP839
 CP840
 CP841
 CP842
 CP843
 CP844
 CP845
 CP846
 CP847
 CP848
 CP849
 CP850
 CP851
 CP852
 CP853
 CP854
 CP855
 CP856
 CP857
 CP858
 CP859
 CP860
 CP861
 CP862
 CP863
 CP864
 CP865
 CP866
 CP867
 CP868
 CP869
 CP870
 CP871
 CP872
 CP873
 CP874
 CP875
 CP876
 CP877
 CP878
 CP879
 CP880
 CP881
 CP882
 CP883
 CP884
 CP885
 CP886
 CP887
 CP888
 CP889
 CP890
 CP891
 CP892
 CP893
 CP894
 CP895
 CP896
 CP897
 CP898
 CP899
 CP900
 CP901
 CP902
 CP903
 CP904
 CP905
 CP906
 CP907
 CP908
 CP909
 CP910
 CP911
 CP912
 CP913
 CP914
 CP915
 CP916
 CP917
 CP918
 CP919
 CP920
 CP921
 CP922
 CP923
 CP924
 CP925
 CP926
 CP927
 CP928
 CP929
 CP930
 CP931
 CP932
 CP933
 CP934
 CP935
 CP936
 CP937
 CP938
 CP939
 CP940
 CP941
 CP942
 CP943
 CP944
 CP945
 CP946
 CP947
 CP948
 CP949
 CP950
 CP951
 CP952
 CP953
 CP954
 CP955
 CP956
 CP957
 CP958
 CP959
 CP960
 CP961
 CP962
 CP963
 CP964
 CP965
 CP966
 CP967
 CP968
 CP969
 CP970
 CP971
 CP972
 CP973
 CP974
 CP975
 CP976
 CP977
 CP978
 CP979
 CP980
 CP981
 CP982
 CP983
 CP984
 CP985
 CP986
 CP987

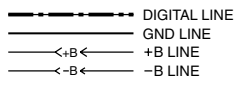
(X14-7650-10/7660-10) (A/2)



	11G	10G	9G	8G	7G	6G	5G	4G	3G	2G	1G
P1	SP1	L	a	a	a	a	a	a	a	a	FM
P2	A	C	j	j	j	j	j	j	j	j	AM
P3	B	R	h	h	h	h	h	h	h	h	MHz
P4	MUTE	SL	k	k	k	k	k	k	k	k	kHz
P5	CLIP	S	b	b	b	b	b	b	b	b	AUTO
P6	CINEMA EQ.	SR	f	f	f	f	f	f	f	f	MEMO.
P7	-	LFE	g	g	g	g	g	g	g	g	ST.
P8	-	SW	m	m	m	m	m	m	m	m	TUNED
P9	RDS	(L)	c	c	c	c	c	c	c	c	AUTO DETECT
P10	PTY	(C)	e	e	e	e	e	e	e	e	DTS
P11	96kHz	(R)	r	r	r	r	r	r	r	r	DOLBY DIGITAL
P12	TONE	(SL)	n	n	n	n	n	n	n	n	PRO LOGIC
P13	LOUDNESS	(S)	p	p	p	p	p	p	p	p	DIGITAL
P14	-	(SR)	d	d	d	d	d	d	d	d	GCH INPUT
P15	-	(SW)	-	-	-	-	-	-	-	-	DSP
P16	-	-	-	-	-	-	-	-	-	-	STEREO

R904	R912	R927	R929-931, 941, 953	R944	R945	R946	R947	R960	R961	W64	W105, 115	W154	WH105, 106
YES	NO	150K	NO	NO	YES	YES	NO	NO	10K	YES	NO	YES	NO
YES	NO	160K	NO	NO	YES	YES	NO	YES	30K	YES	NO	YES	NO
NO	NO	160K	NO	YES	YES	YES	NO	YES	30K	YES	NO	YES	NO
NO	NO	62K	NO	YES	YES	YES	NO	YES	10K	YES	NO	NO	NO
NO	NO	150K	NO	YES	YES	YES	NO	NO	10K	YES	NO	YES	NO
YES	YES	62K	NO	NO	NO	YES	NO	YES	10K	YES	NO	NO	NO
YES	YES	150K	NO	NO	NO	YES	NO	NO	10K	YES	NO	YES	NO
YES	YES	62K	NO	NO	NO	YES	NO	YES	10K	YES	NO	NO	NO
YES	YES	150K	NO	NO	NO	YES	NO	NO	10K	YES	NO	YES	NO
YES	YES	160K	NO	NO	NO	YES	NO	YES	30K	YES	NO	YES	NO
YES	YES	56K	NO	NO	NO	YES	NO	YES	NO	YES	NO	NO	NO
NO	NO	56K	NO	YES	YES	NO	YES	YES	NO	YES	NO	NO	NO

R865, 954-957	R867	R904	R912	R927	R929-931, 941, 953	R944	R945	R946	R947	R960	R961	W64	W105, 115	W154	WH105, 106
NO	100K	NO	NO	62K	YES	YES	YES	YES	NO	YES	10K	NO	YES	NO	YES
NO	100	NO	NO	150K	YES	YES	YES	YES	NO	NO	10K	NO	YES	YES	YES
NO	100	NO	NO	160K	YES	YES	YES	YES	NO	YES	30K	NO	YES	YES	YES
NO	100	NO	NO	56K	YES	YES	YES	NO	YES	YES	NO	NO	YES	NO	YES
YES	100	NO	YES	56K	NO	YES	NO	NO	YES	YES	NO	NO	YES	NO	NO



CAUTION: For continued safety, replace safety critical components only with manufacturer's recommended parts (refer to parts list). Δ indicates safety critical components. For continued protection against risk of fire, replace only with same type and rating fuse(s). To reduce the risk of electric shock, leakage-current or resistance measurements shall be carried out (exposed parts are acceptably insulated from the supply circuit) before the appliance is returned to the customer.

The DC voltage is an actual reading measured with a high impedance type voltmeter with no signal input. The measurement value may vary depending on the measuring instruments used or on the product.

KRF-V4070D/V5070D/V6070D/VR-705/707/715/716

Y05-4640-70

KENWOOD