

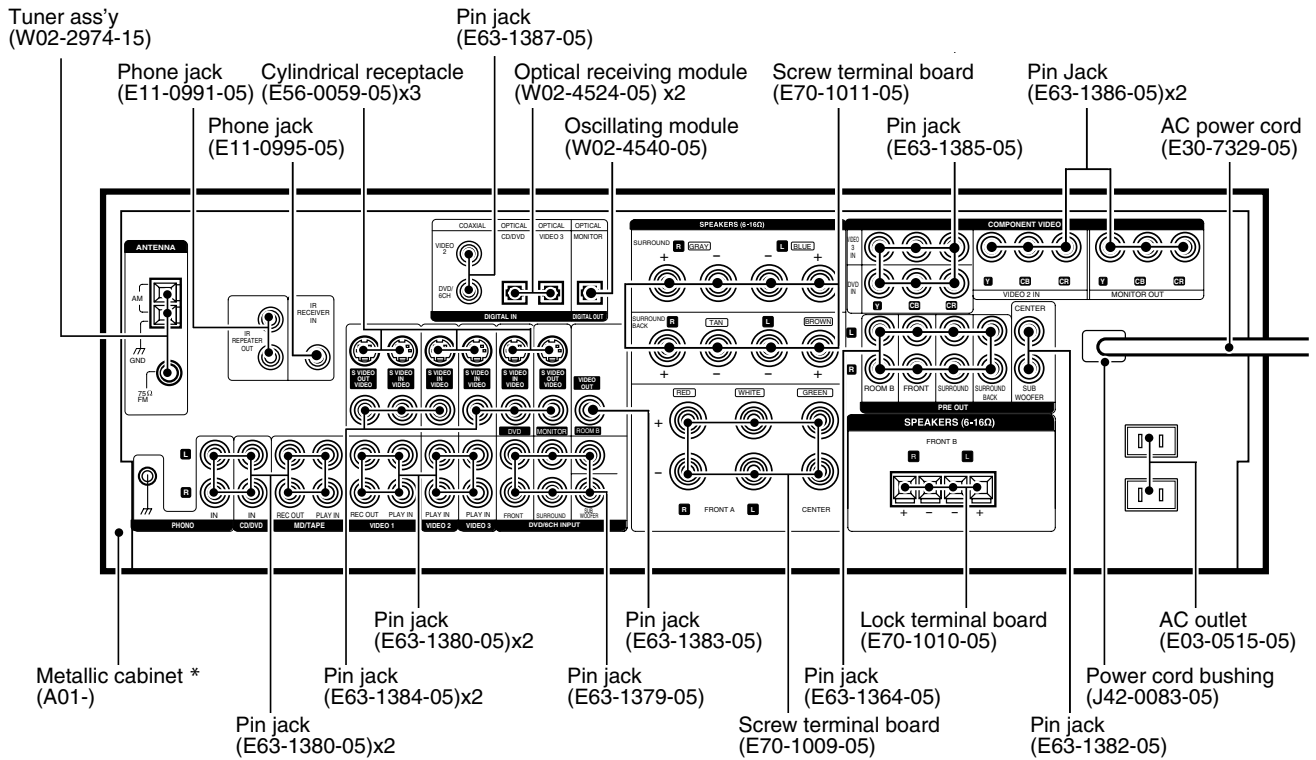
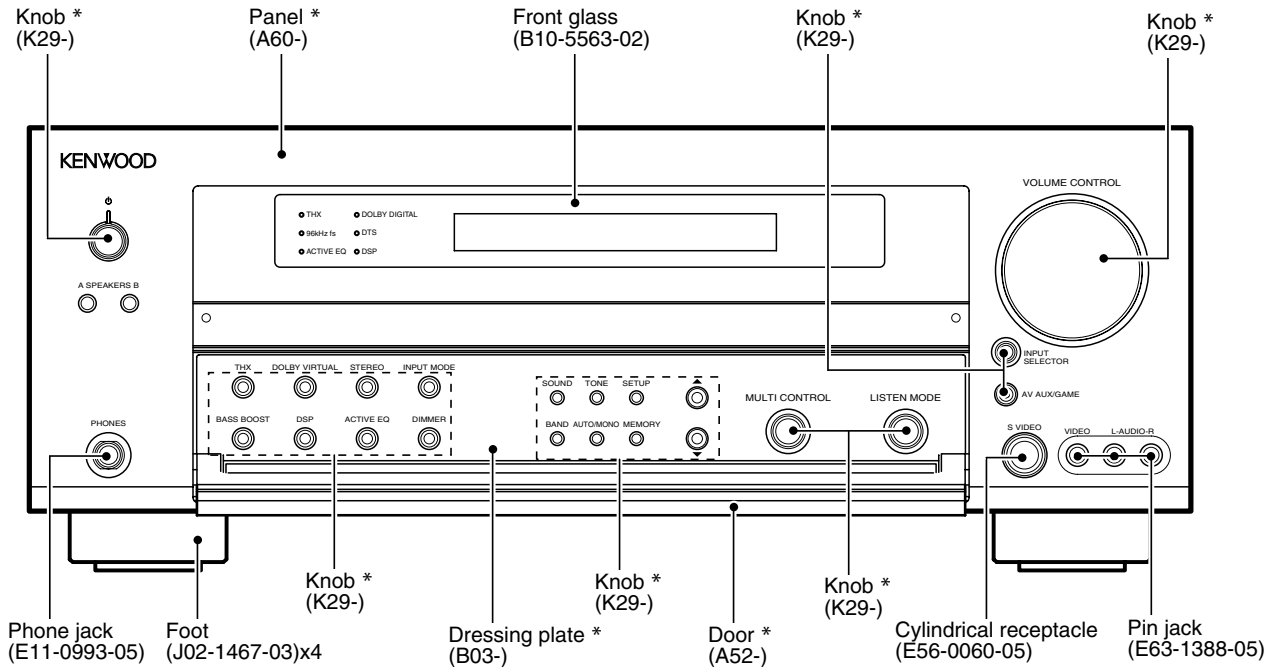
KRF-V7090D/V7090D-S/VR-9050 VR-9050-S/9060/9060-S/9070/9070-S

SERVICE MANUAL

KENWOOD

Kenwood Corporation

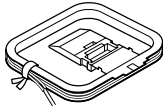
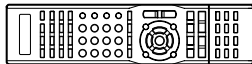
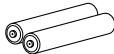
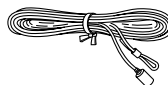
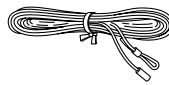
© 2005-3 PRINTED IN KOREA
B51-5950-00 (K/K) 1010



KRF-V7090D/VR-9050/9060/9070

ACCESSORIES / CAUTIONS / ADJUSTMENT

ACCESSORIES

AM loop antenna (1) (T90-0893-05) 	Remote control unit (1) See the following table. 	Batteries (R03/AAA) (2) 	FM indoor antenna (1) U.S.A. and Canada (T90-0905-05) 	Other countries (T90-0855-05) 
---	--	--	---	---

PCB vs MODEL

MODEL		SURROUND	AUDIO	SUB	DISPLAY
VR-9050/-S	K,P	X08-3390-10	X09-6960-10	X13-7960-10	X14-7900-10
VR-9060/-S	K,P	X08-3390-11	X09-6960-10	X13-7960-11	X14-7900-11
VR-9070/-S	K,P	X08-3390-12	X09-6960-10	X13-7960-12	X14-7900-12
KRF-V7090D-S	X	X08-3390-10	X09-6960-71	X13-7962-71	X14-7900-71
KRF-V7090D/D-S	E	X08-3392-71	X09-6962-71	X13-7962-71	X14-7902-71

REMOTE CONTROL vs MODEL

MODEL		PARTS #	CONTROLLER #
VR-9050/-S	K,P	A70-1673-05	RC-R0731
VR-9060/-S	K,P	A70-1671-05	RC-R0829
VR-9070/-S	K,P	A70-1675-05	RC-R0918
KRF-V7090D-S	X	A70-1674-05	RC-R0731E
KRF-V7090D/D-S	E	A70-1674-05	RC-R0731E



6CH INPUT

CAUTIONS

Resetting the Microcomputer

The microcomputer may malfunction (unit cannot be operated, or shows an erroneous display) if the power cord is unplugged while the power is ON, or due to some other external factor. If this happens, execute the following procedure to reset the microcomputer and return the unit to its normal operating condition.

Unplug the power cord from the wall outlet, then plug it back in while holding down the ϕ (POWER ON/STANDBY) key.

- Please note that resetting the microcomputer will clear the contents of the memory and returns the unit to the state it was in when it left the factory.

Memory back up function

Please note that the following items will be deleted from the unit's memory if the power cord is disconnected from the AC outlet for approximately 1 day.

- Power mode
- Input selector settings
- Speaker ON/OFF
- Volume level
- BASS, TREBLE, INPUT level
- TONE ON/OFF
- LOUDNESS ON/OFF
- Dimmer level
- Listen mode setting
- Speaker settings
- Distance setting
- Input mode setting
- Sound mode settings
- Broadcast band
- Frequency setting
- Preset stations
- Tuning mode
- ACTIVE EQ mode
- GAME mode setting

ADJUSTMENT

No.	ITEM	INPUT SETTINGS	OUTPUT SETTINGS	RECEIVER SETTINGS	ALIGNMENT SETTINGS	ALIGNMENT POINTS	FIG.
AUDIO SECTION		SPEAKER : A					
<1>	IDLE CURRENT *	-	CN11, FL ch. CN10, FR ch. CN14, SL ch. CN13, SR ch. CN12, C ch. CN15, SBL ch. X09(A/4) CN706, SBR ch. X13(F/6)	(FRONT 2ch MODE) Volume: Minimum	VR1(FL) VR2(FR) VR3(SL) VR4(SR) VR5(CENTER) VR6(SBL) X09(A/4) VR702(SBR) X13(F/6)	Adjust every potentiometer 10 minutes later after turned the power on.	

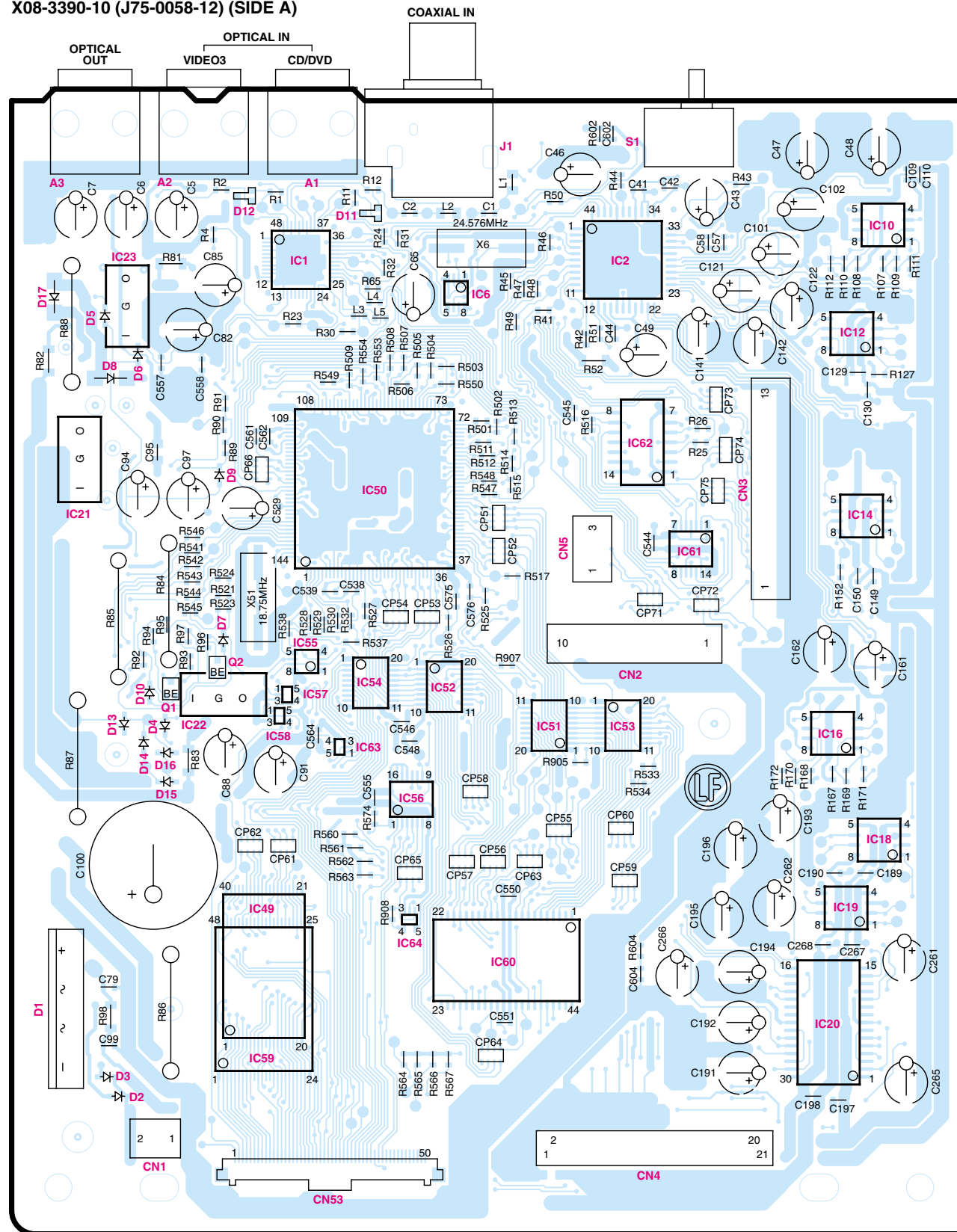
* Idling Current Adjustment

All power amplifier stage need idling current adjustment after the installation of TRAIT transistor.

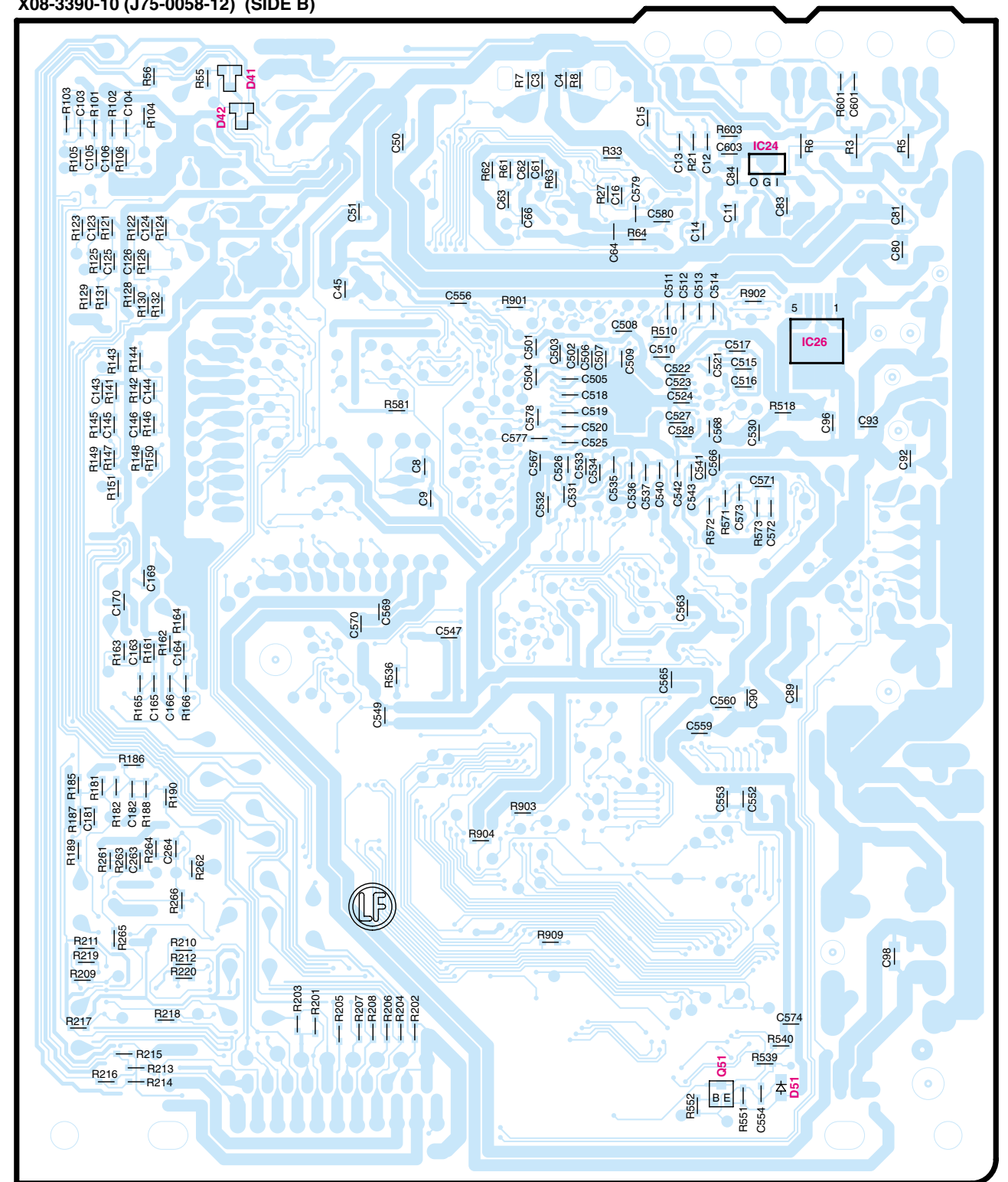
1. Connect a voltmeter to CNs with the correct polarity as indicated by the PCB silk print.
2. Adjust the preset, VRs to get 8.8mV (Idling current = 20mA) at the voltmeter reading.
3. Repeat step few times for all channels.

PC BOARD

X08-3390-10 (J75-0058-12) (SIDE A)

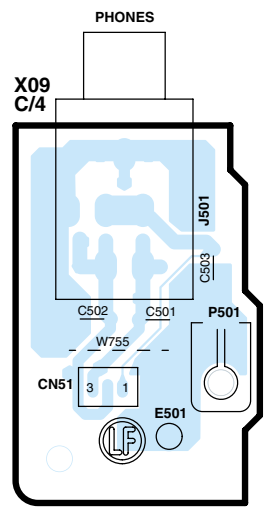
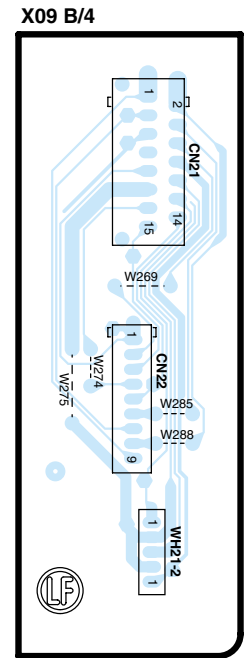
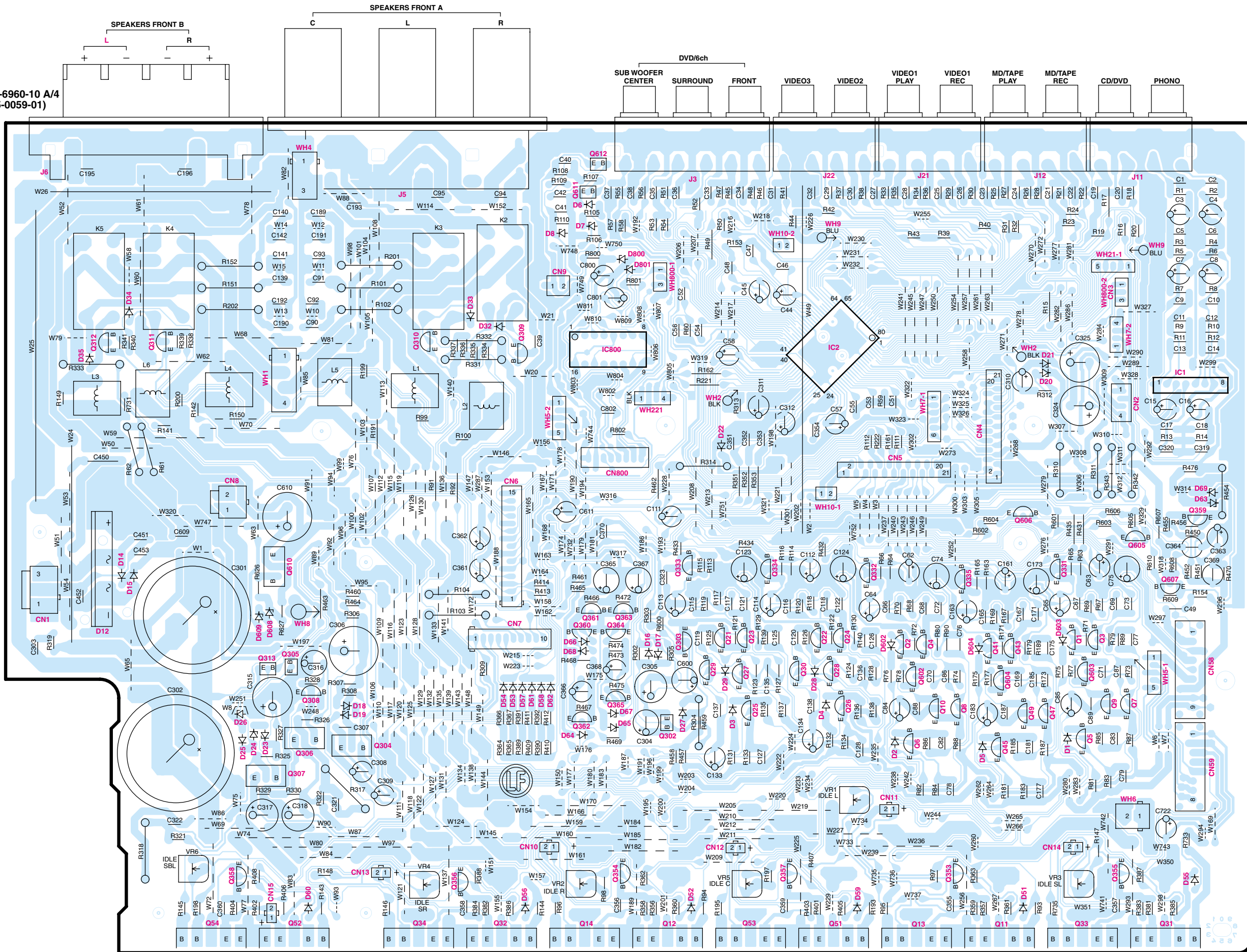


X08-3390-10 (J75-0058-12) (SIDE B)

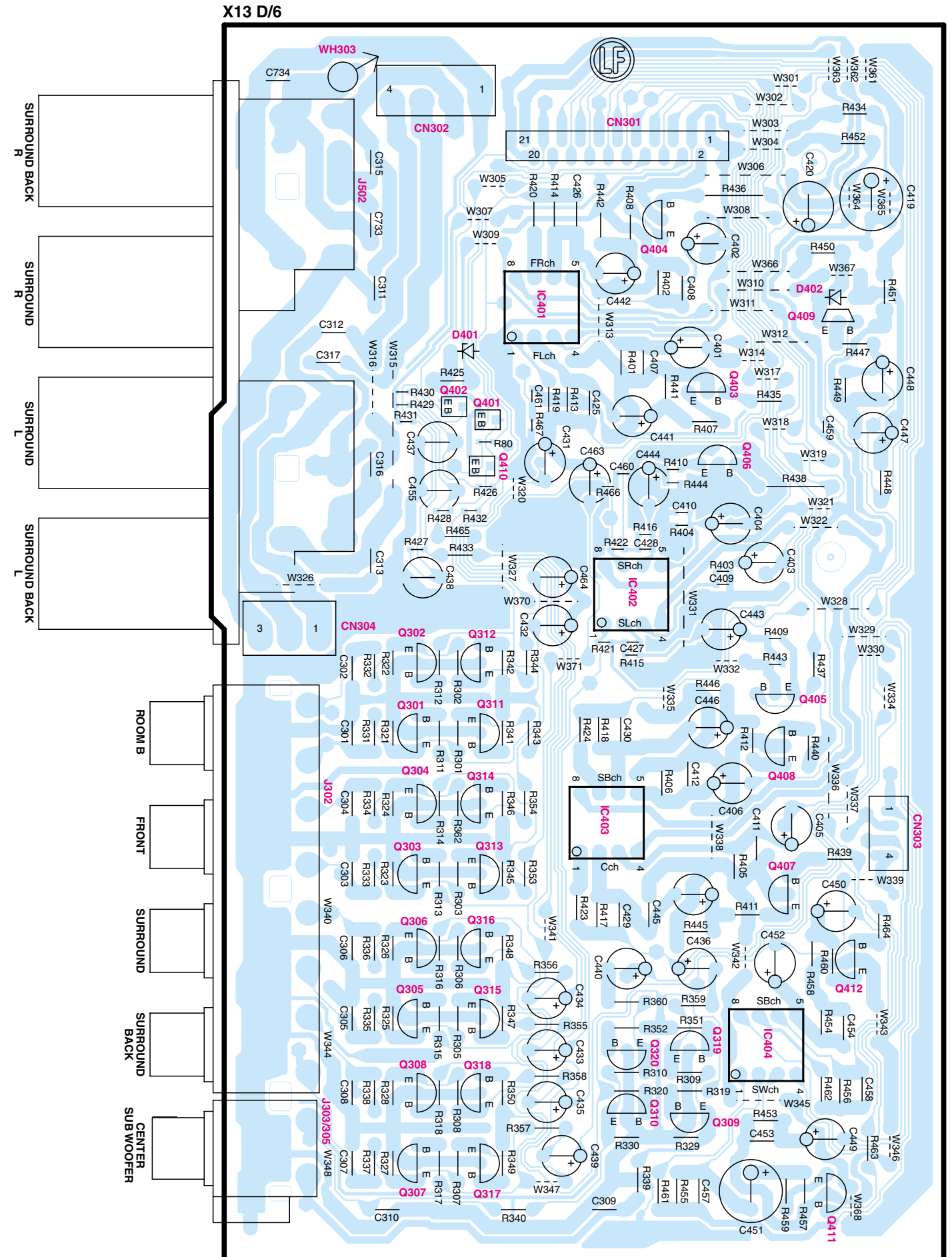
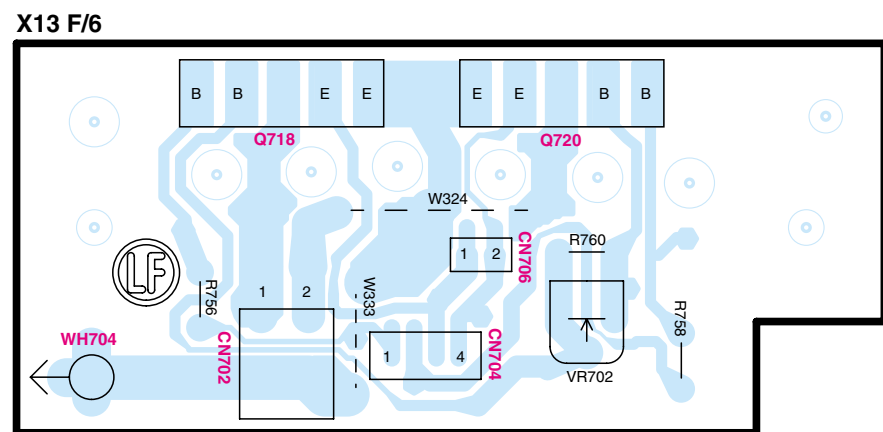
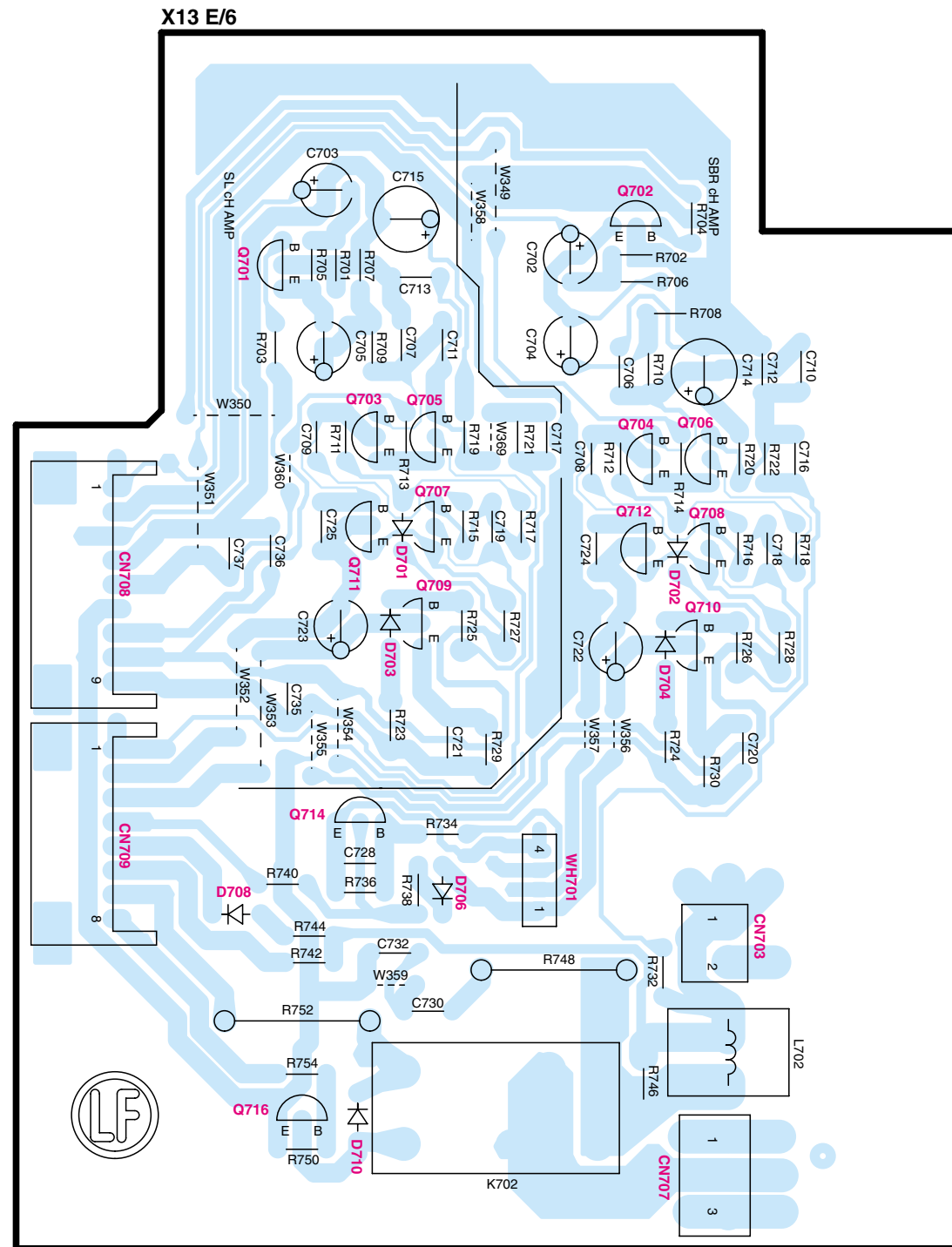


PC BOARD

X09-6960-10 A/4
(J75-0059-01)



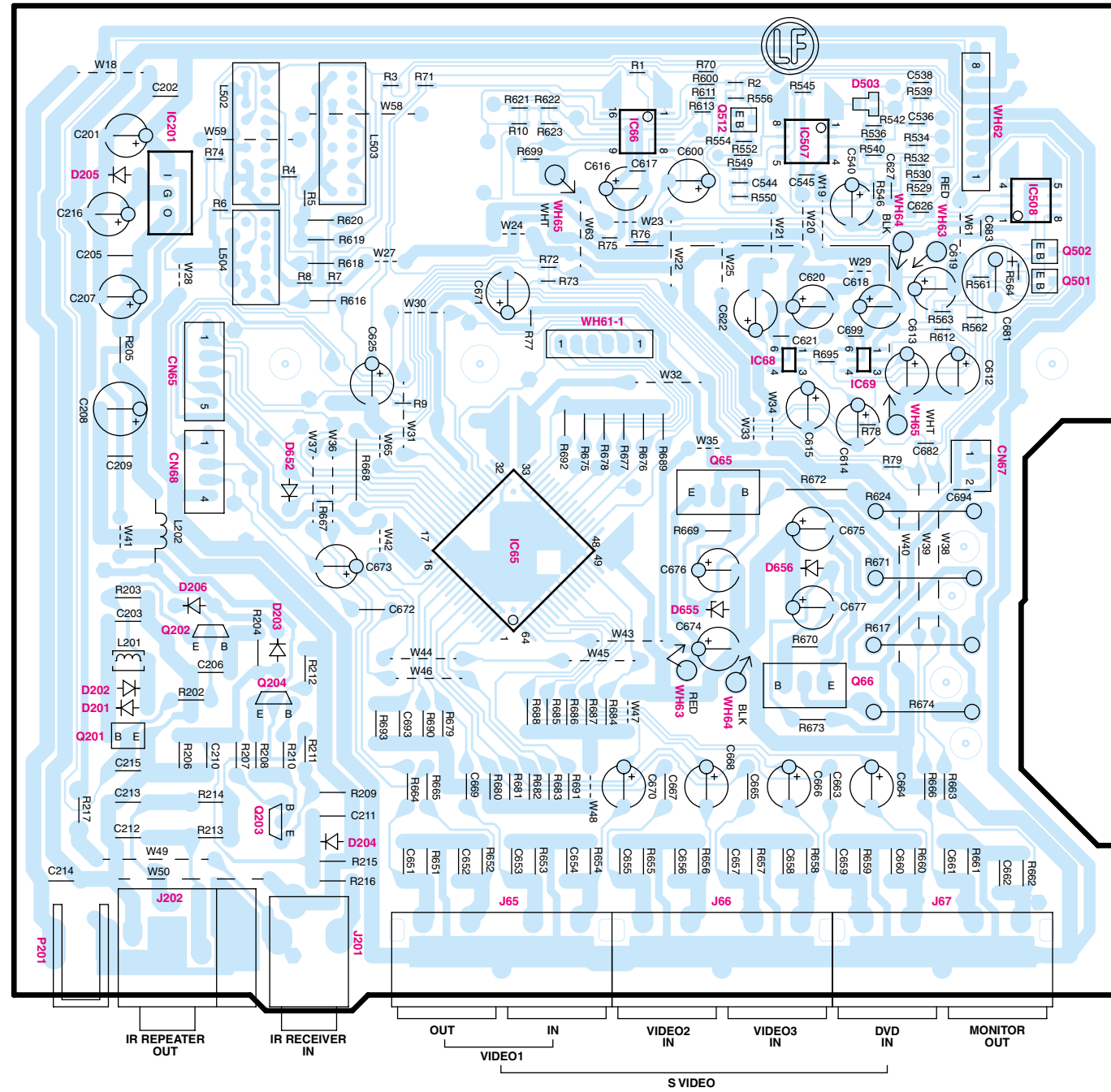
PC BOARD



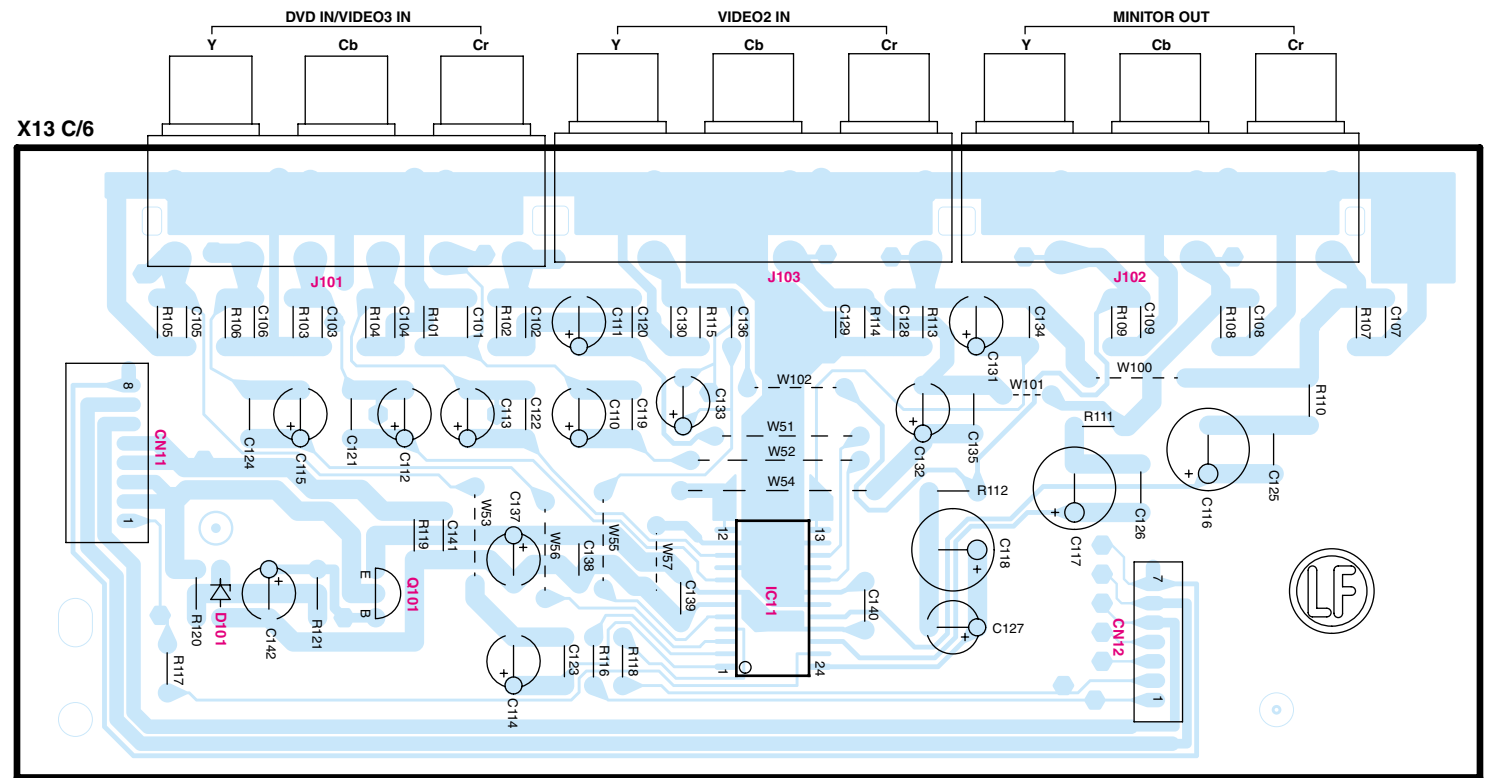
Refer to the schematic diagram for the value of resistors and capacitors.

PC BOARD

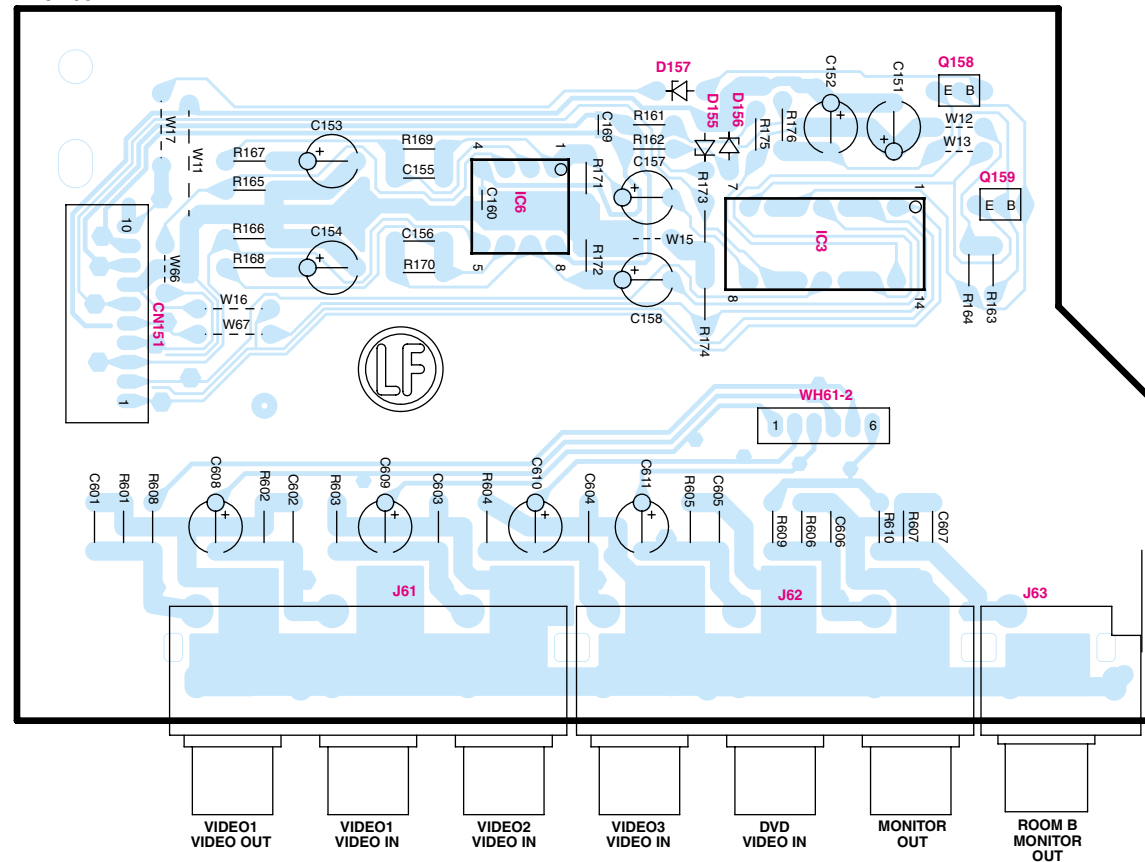
X13-7960-10 A/6 (J75-0060-01)



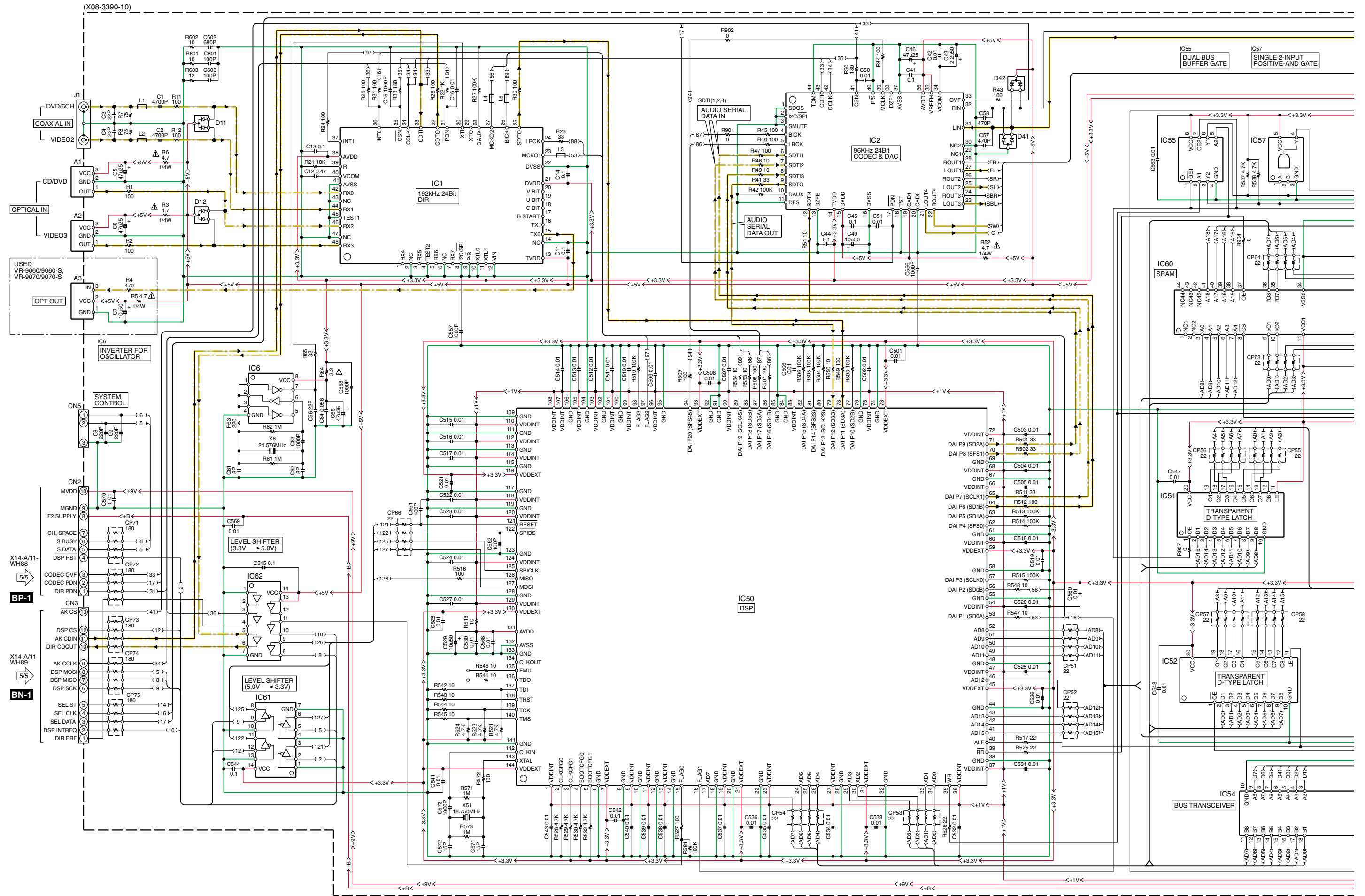
X13 C/6

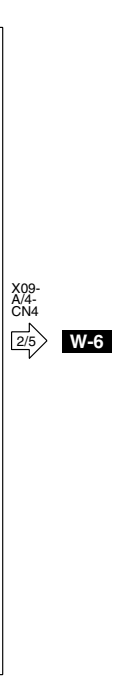
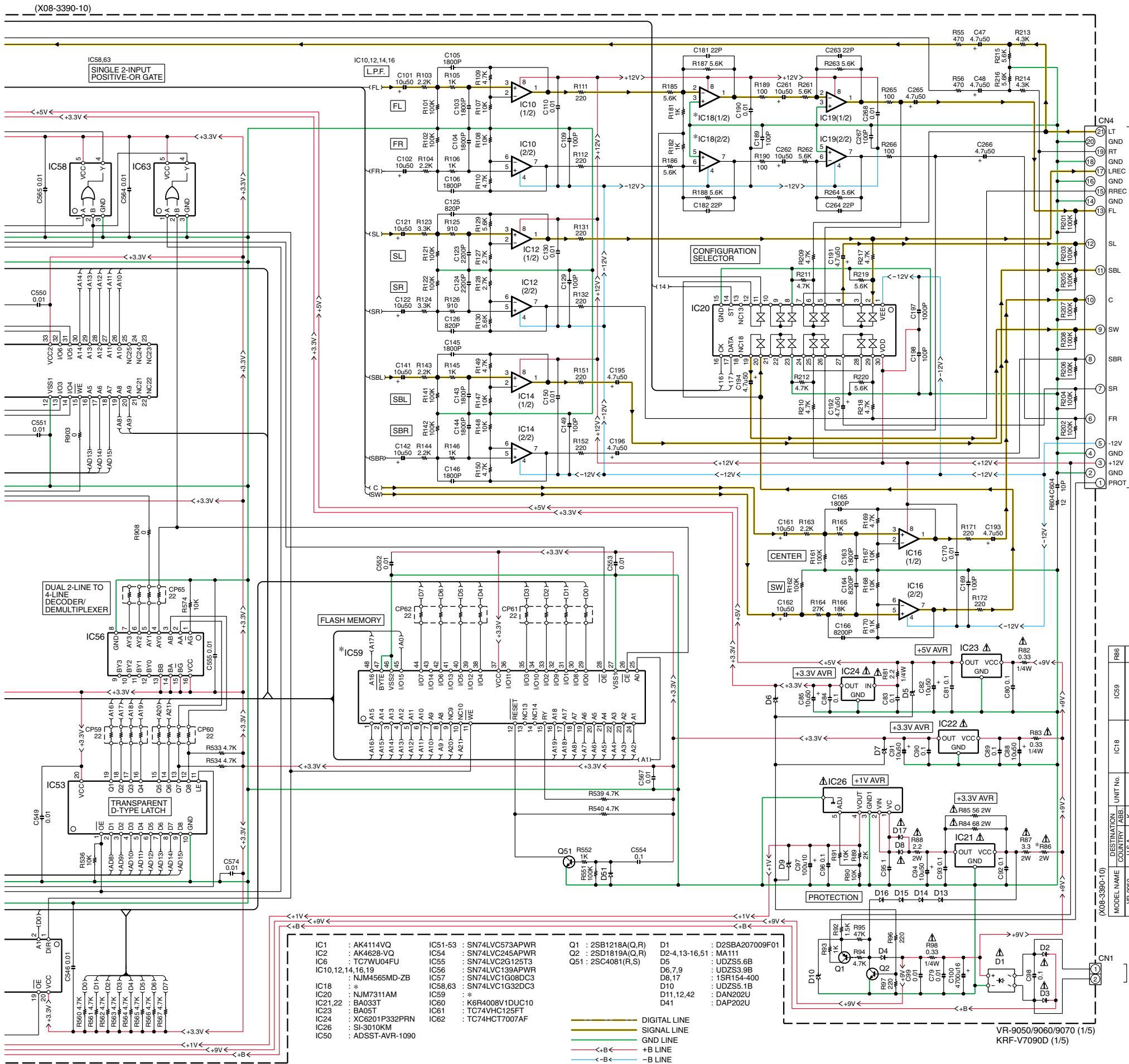


X13 B/6



KRF-V7090D/VR-9050/9060/9070





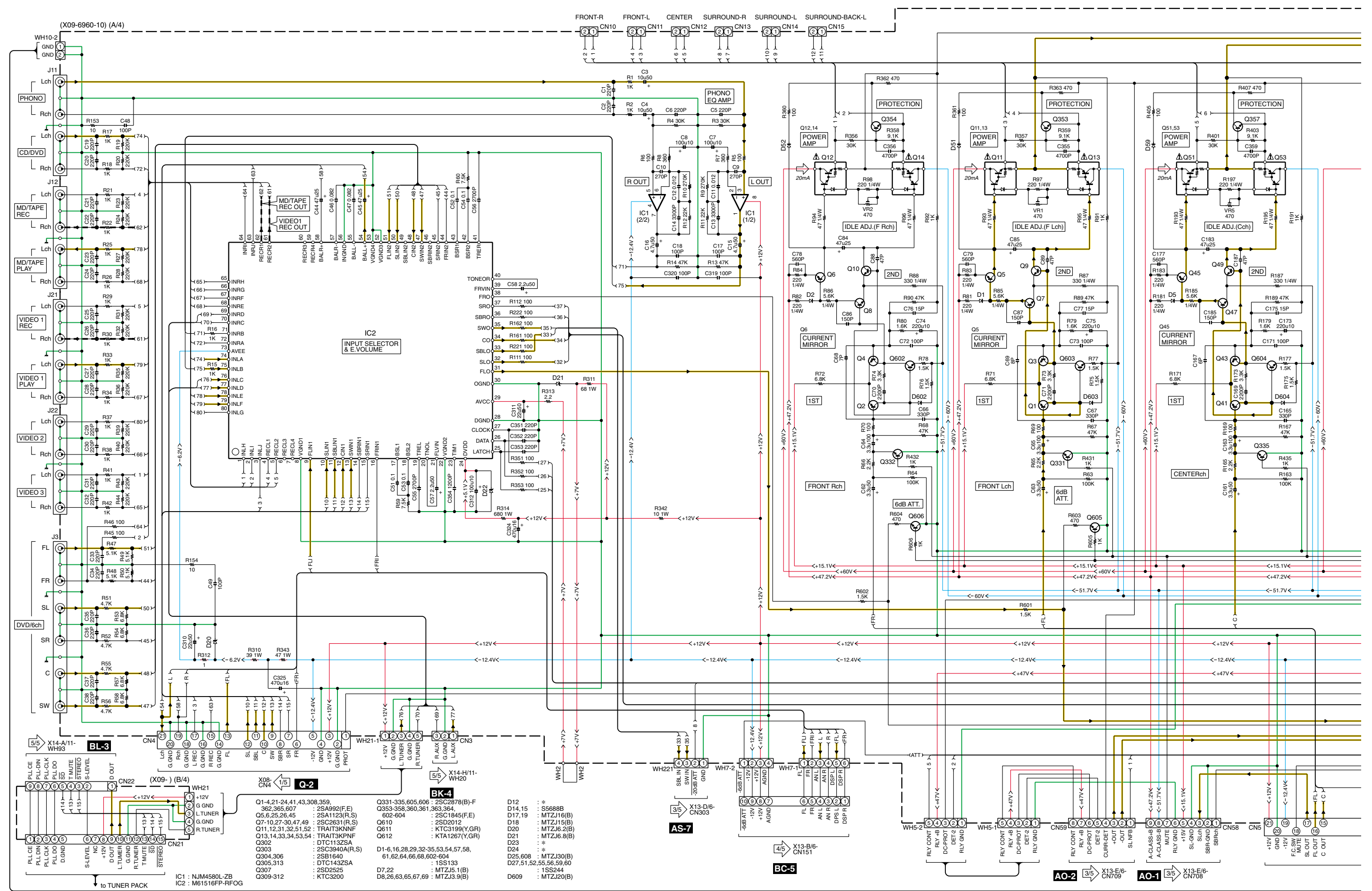
MODEL NAME	DESTINATION COUNTRY	ABB.	UNIT No.	IC18	IC59	R86
VR-9050	U.S.A.	K	0-10	NJM4565MD-ZB	A2BL800TV7FKF0	3.3
VR-9050-S	CANADA	P	0-10	NJM4565MD-ZB	A2BL800TV7FKF0	3.9
KRF-V7090D	EUROPE	E	2-71	NJM4565MD-ZB	A2BL800TV7FKF0	3.9
KRF-V7090D-S	EUROPE	E	2-71	NJM4565MD-ZB	A2BL800TV7FKF0	3.9
VR-9060	AUSTRALIA	X	0-10	NJM4565MD-ZB	A2BL800TV7FKF0	3.3
VR-9060-S	CANADA	P	0-11	NJM5532MD	A2BL800TV7FKF0	3.3
VR-9070	U.S.A.	K	0-12	NJM5532MD	A2BL800TV7FKG0	3.3
VR-9070-S	CANADA	P	0-12	NJM5532MD	A2BL800TV7FKG0	3.3

- IC1 : AK4114VQ
- IC2 : AK4628-VQ
- IC6 : TC7WU04FU
- IC10,12,14,16,19 : NJM4565MD-ZB
- IC18 : *
- IC20 : NJM7311AM
- IC21,22 : BA033T
- IC23 : BA05T
- IC24 : XC6201P332PRN
- IC26 : SI-3010KM
- IC50 : ADSST-AVR-1090
- IC51-53 : SN74LVC573APWR
- IC54 : SN74LVC245APWR
- IC55 : SN74LVC2G125T3
- IC56 : SN74LVC139APWR
- IC57 : SN74LVC1G08DC3
- IC58,63 : SN74LVC1G32DC3
- IC59 : *
- IC60 : K6R4008V1DUC10
- IC61 : TC74VHC125FT
- IC62 : TC74HCT7007AF
- Q1 : 2SB1218A(Q,R)
- Q2 : 2SD1819A(Q,R)
- Q51 : 2SC4081(R,S)
- D1 : D2SBA207009F01
- D2-4,13-16,51 : MA111
- D5 : UDZS5.6B
- D6,7,9 : UDZS3.9B
- D8,17 : 1SR154-400
- D10 : UDZS5.1B
- D11,12,42 : DAN202U
- D41 : DAP202U
- D25A207009F01
- MA111
- UDZS5.6B
- UDZS3.9B
- 1SR154-400
- UDZS5.1B
- DAN202U
- DAP202U

CAUTION: For continued safety, replace safety critical components only with manufacturer's recommended parts (refer to parts list). Δ indicates safety critical components. For continued protection against risk of fire, replace only with same type and rating fuse(s). To reduce the risk of electric shock, leakage-current or resistance measurements shall be carried out (exposed parts are acceptably insulated from the supply circuit) before the appliance is returned to the customer.

The DC voltage is an actual reading measured with a high impedance type voltmeter with no signal input. The measurement value may vary depending on the measuring instruments used or on the product.

KRF-V7090D/VR-9050/9060/9070



IC1 : NJM4580L-ZB
IC2 : M61516P-RFOG

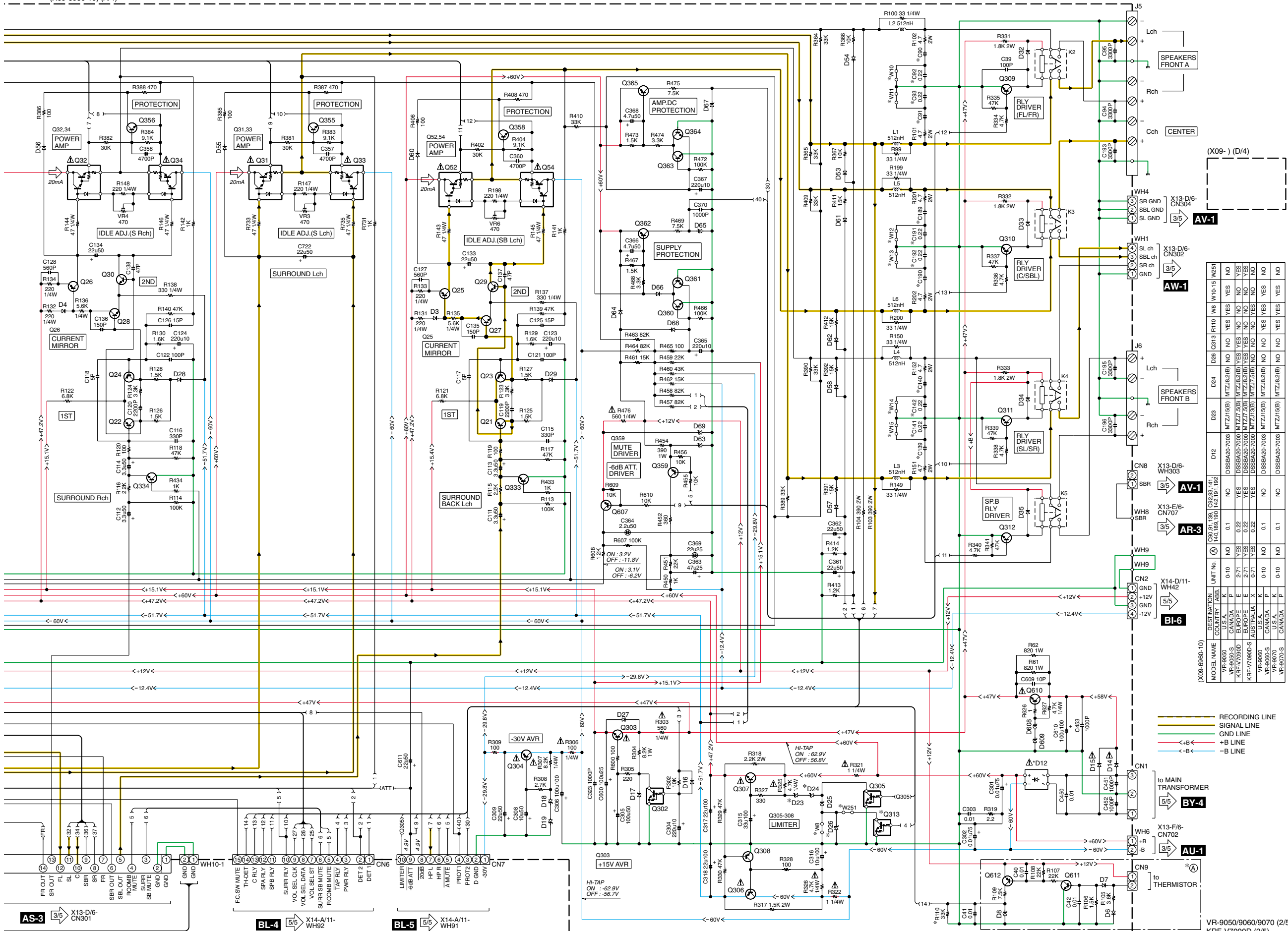
- | | |
|--|-----------------|
| Q1-4,21,24,41,43,308,359,
362,365,607 | : 2SA992(F,E) |
| Q5,6,25,26,45 | : 2SA1123(R,S) |
| Q7-10,27-30,47,49 | : 2SC2631(R,S) |
| Q11,12,31,32,51,52 | : TRAIT3KNNF |
| Q13,14,33,34,53,54 | : TRAIT3KPNF |
| Q302 | : DTC113ZSA |
| Q303 | : 2SC3940A(R,S) |
| Q304,306 | : 2SB1640 |
| Q305,313 | : DTC143ZSA |
| Q307 | : 2SD2525 |
| Q309-312 | : KTC3200 |

- | | |
|--------------------------------------|-----------------|
| Q331-335,605,606 | : 2SC2878(B)-F |
| Q353-358,360,361,363,364,
602-604 | : 2SC1845(F,E) |
| Q610 | : 2SD2012 |
| Q611 | : KTC3199(Y,GR) |
| Q612 | : KTA1267(Y,GR) |

- | | |
|--|--------------|
| D1-6,16,26,29,32-35,53,54,57,58,
61,62,64,66,68,602-604 | : 1SS133 |
| D7,22 | : MTZJ5.1(B) |
| D8,26,63,65,67,69 | : MTZJ3.9(B) |

- | | |
|-----------------------|--------------|
| D12 | : * |
| D14,15 | : S5688B |
| D17,19 | : MTZJ16(B) |
| D18 | : MTZJ15(B) |
| D20 | : MTZJ6.2(B) |
| D21 | : MTZJ6.8(B) |
| D23 | : * |
| D24 | : * |
| D25,608 | : MTZJ30(B) |
| D27,51,52,55,56,59,60 | : 1SS244 |
| D609 | : MTZJ20(B) |

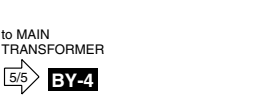
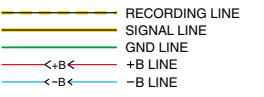
(X09-6960-10) (A/4)

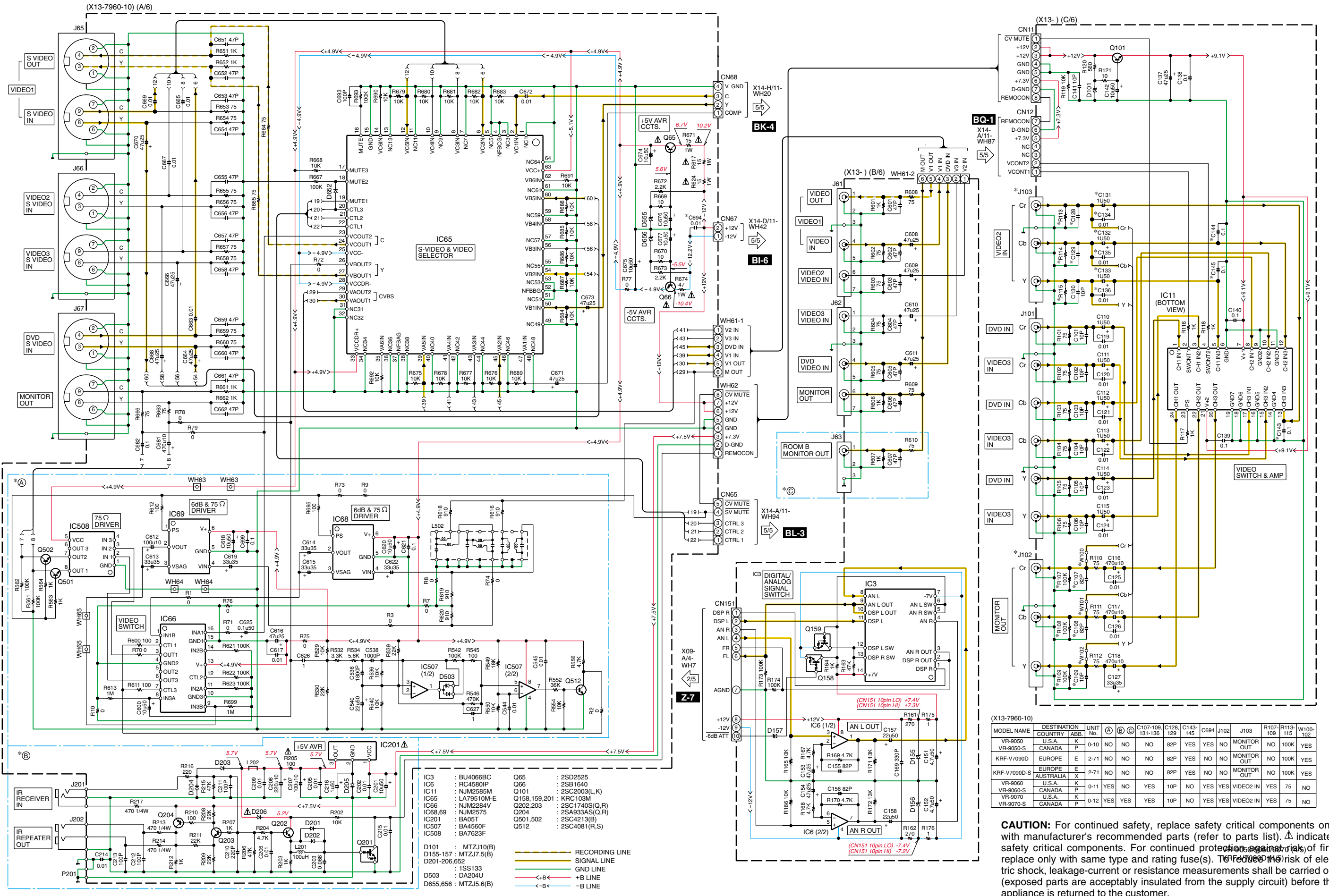


CAUTION: For continued safety, replace safety critical components only with manufacturer's recommended parts (refer to parts list). Δ indicates safety critical components. For continued protection against risk of fire, replace only with same type and rating fuse(s). To reduce the risk of electric shock, leakage-current or resistance measurements shall be carried out (exposed parts are acceptably insulated from the supply circuit) before the appliance is returned to the customer.

The DC voltage is an actual reading measured with a high impedance type voltmeter with no signal input. The measurement value may vary depending on the measuring instruments used or on the product.

MODEL NAME	DESTINATION	COUNTRY	ABIB	K	P	Q	0-10	NO	0.1	0.22	0.22	0.22	0.1	0.1	NO	NO
VR-9050-S	U.S.A.	CANADA														
KRF-V7090D	U.S.A.	CANADA														
VR-9060-S	U.S.A.	CANADA														
VR-9070-S	U.S.A.	CANADA														



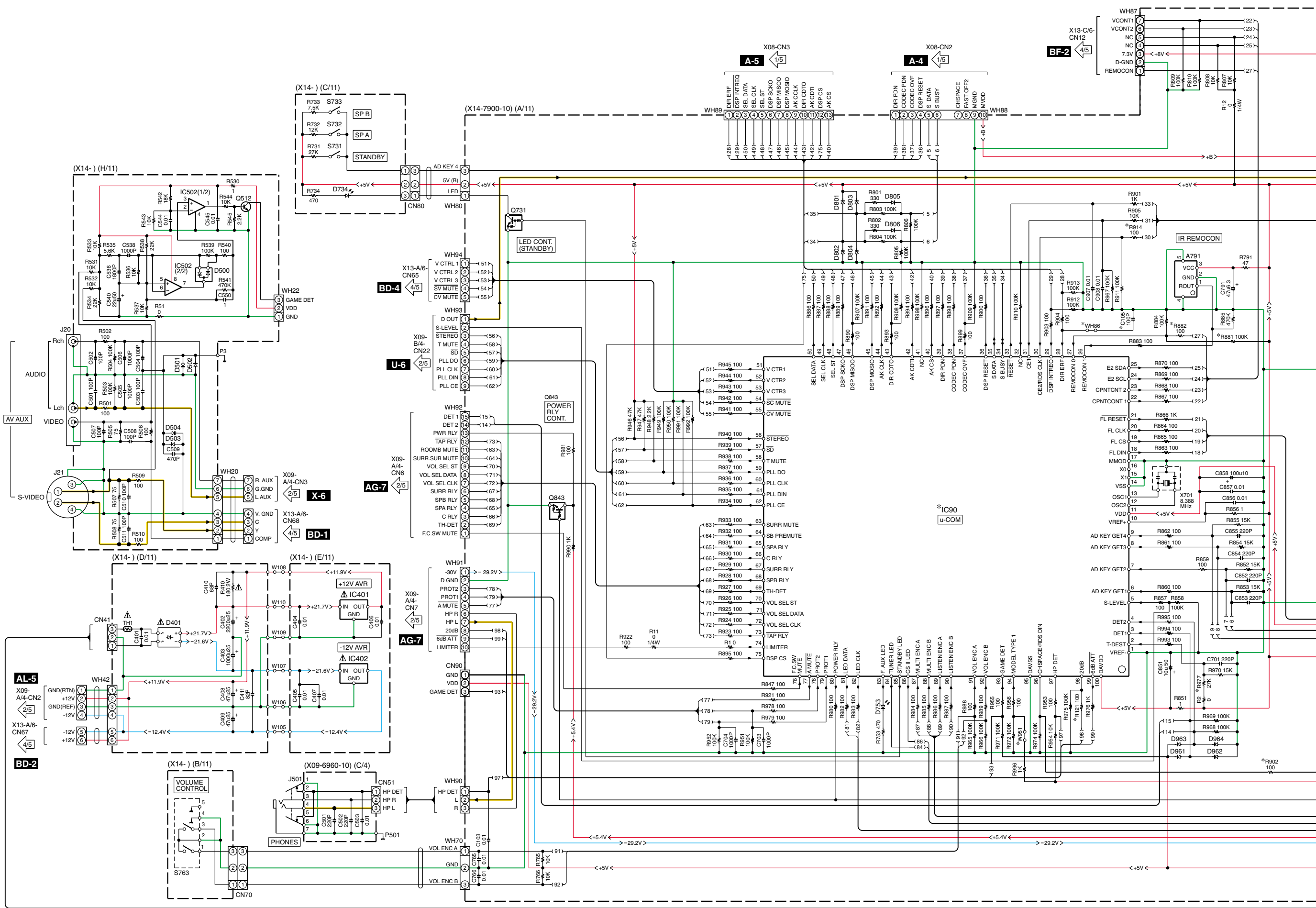


(X13-7960-10)

MODEL NAME	DESTINATION COUNTRY	ABB.	UNIT No.	Ⓐ	Ⓑ	Ⓒ	Ⓓ	C107-109 131-136	C128 129	C143-145	C694	J102	J103	R107-109 115	R107-113 115	W100-102
VR-9050	U.S.A.	K	0-10	NO	NO	NO	NO	NO	82P	YES	YES	NO	MONITOR OUT	NO	100K	YES
VR-9050-S	CANADA	P	0-10	NO	NO	NO	NO	NO	82P	YES	YES	NO	MONITOR OUT	NO	100K	YES
KRF-V7090D	EUROPE	E	2-71	NO	NO	NO	NO	NO	82P	YES	NO	NO	MONITOR OUT	NO	100K	YES
KRF-V7090D-S	EUROPE	E	2-71	NO	NO	NO	NO	NO	82P	YES	NO	NO	MONITOR OUT	NO	100K	YES
VR-9060	U.S.A.	K	0-11	YES	NO	YES	NO	YES	10P	NO	YES	YES	VIDEO2 IN	YES	75	NO
VR-9060-S	CANADA	P	0-11	YES	NO	YES	NO	YES	10P	NO	YES	YES	VIDEO2 IN	YES	75	NO
VR-9070	U.S.A.	K	0-12	YES	YES	YES	YES	YES	10P	NO	YES	YES	VIDEO2 IN	YES	75	NO
VR-9070-S	CANADA	P	0-12	YES	YES	YES	YES	YES	10P	NO	YES	YES	VIDEO2 IN	YES	75	NO

CAUTION: For continued safety, replace safety critical components only with manufacturer's recommended parts (refer to parts list). ⚠ indicates safety critical components. For continued protection against risk of fire, electric shock, leakage-current or resistance measurements shall be carried out (exposed parts are acceptably insulated from the supply circuit) before the appliance is returned to the customer.

The DC voltage is an actual reading measured with a high impedance type voltmeter with no signal input. The measurement value may vary depending on the measuring instruments used or on the product.

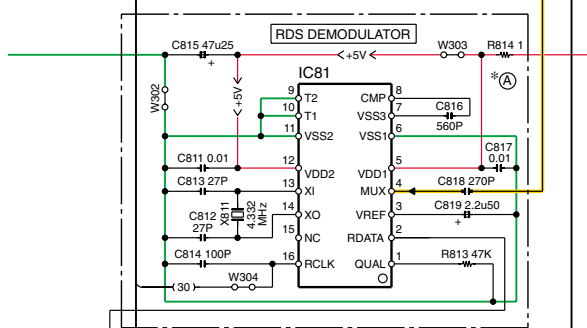
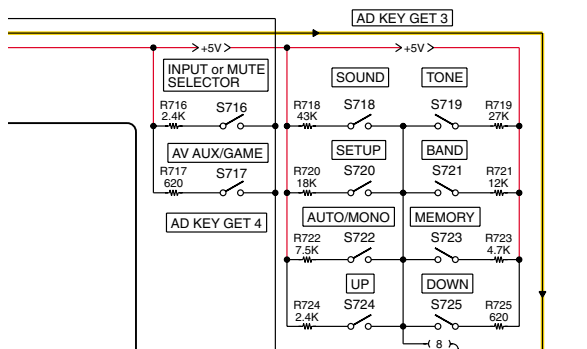
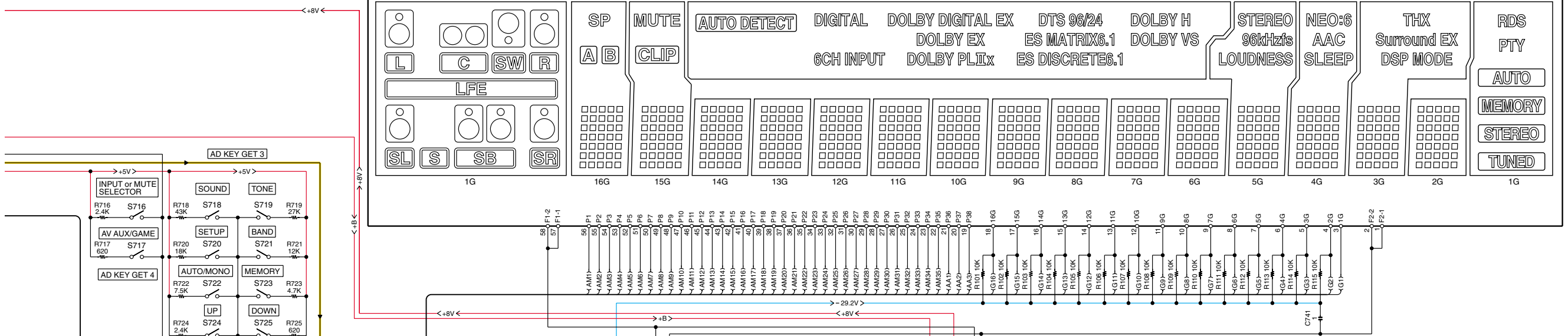


KRF-V7090D/VR-9050/9060/9070

(X14-7900-10) (A/11)

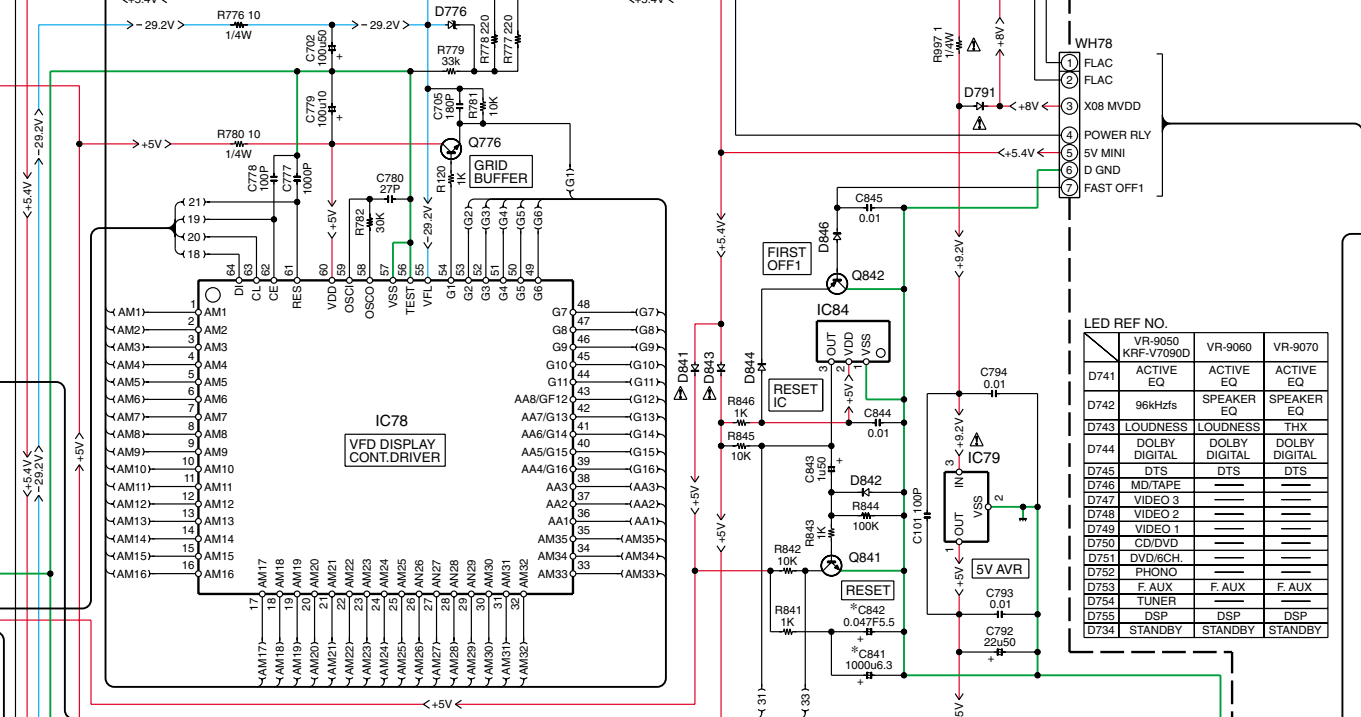
ED78

1G



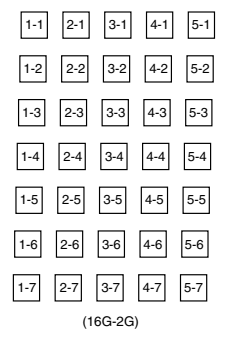
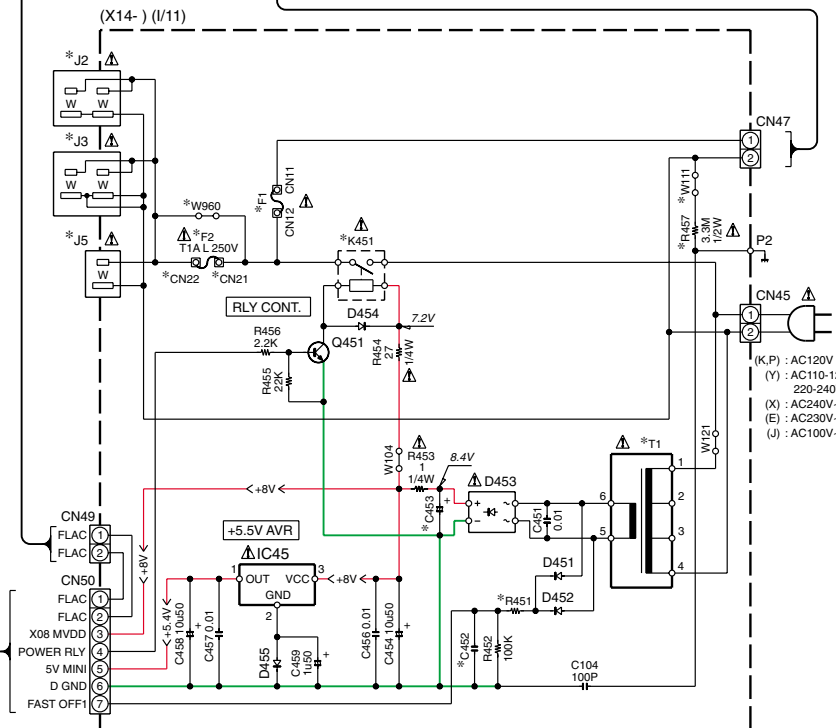
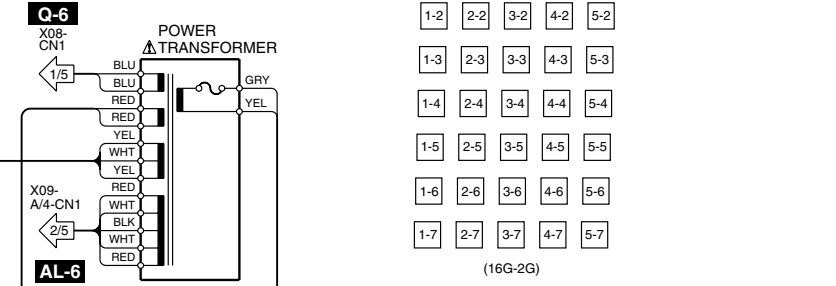
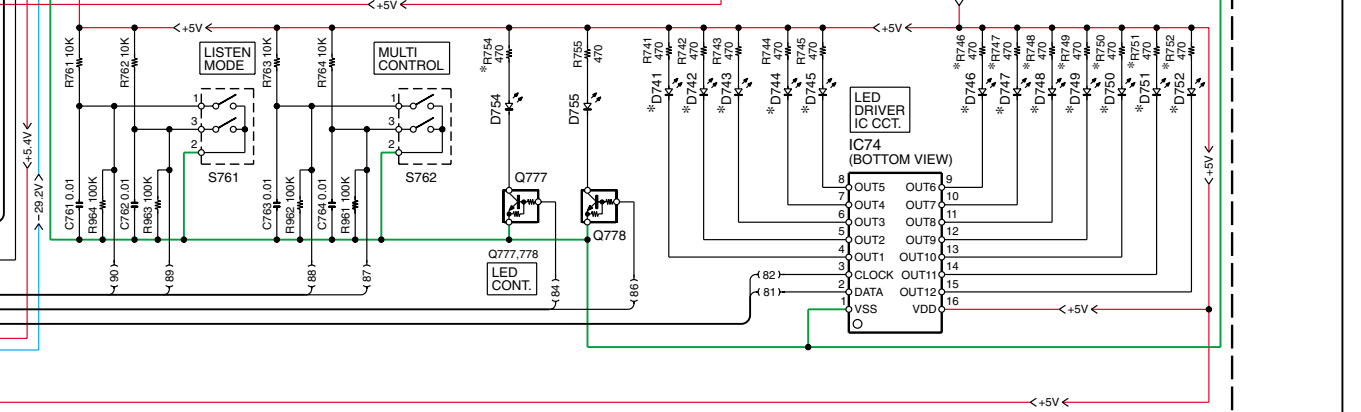
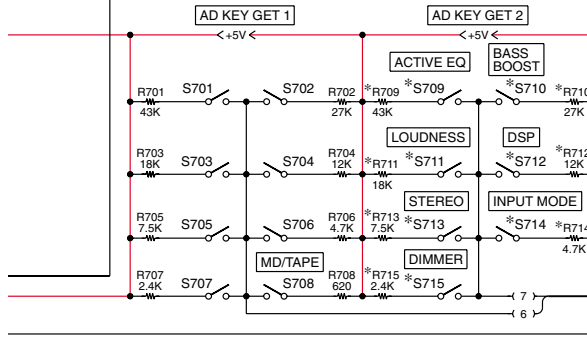
SW REF. NO.

	VR-9050 KRF-V7090D	VR-9060	VR-9070
S701	DVD/6CH	LOUDNESS	THX
S702	CD/DVD	DOLBY V	DOLBY V
S703	PHONE	STEREO	STEREO
S704	TUNER	INPUT MODE	INPUT MODE
S705	VIDEO 1	BASS BOOST	BASS BOOST
S706	VIDEO 2	DSP	DSP
S707	VIDEO 3	ACTIVE EQ	ACTIVE EQ



LED REF. NO.

	VR-9050 KRF-V7090D	VR-9060	VR-9070
D741	ACTIVE EQ	ACTIVE EQ	ACTIVE EQ
D742	96kHzfs	SPEAKER EQ	SPEAKER EQ
D743	LOUDNESS	LOUDNESS	THX
D744	DOLBY DIGITAL	DOLBY DIGITAL	DOLBY DIGITAL
D745	DTS	DTS	DTS
D746	MD/TAPE		
D747	VIDEO 3		
D748	VIDEO 2		
D749	VIDEO 1		
D750	CD/DVD		
D751	DVD/6CH		
D752	PHONO		
D753	F.AUX	F.AUX	F.AUX
D754	TUNER	DSP	DSP
D755	DSP	DSP	DSP
D734	STANDBY	STANDBY	STANDBY



(K,P): AC120V 60Hz
 (Y): AC110-120V/
 220-240V-50/60Hz
 (X): AC240V-50Hz
 (E): AC230V-50Hz
 (J): AC100V-50/60Hz

VR-9050/9060/9070 (5/5)
 KRF-V7090D (5/5)

KRF-V7090D/VR-9050/9060/9070

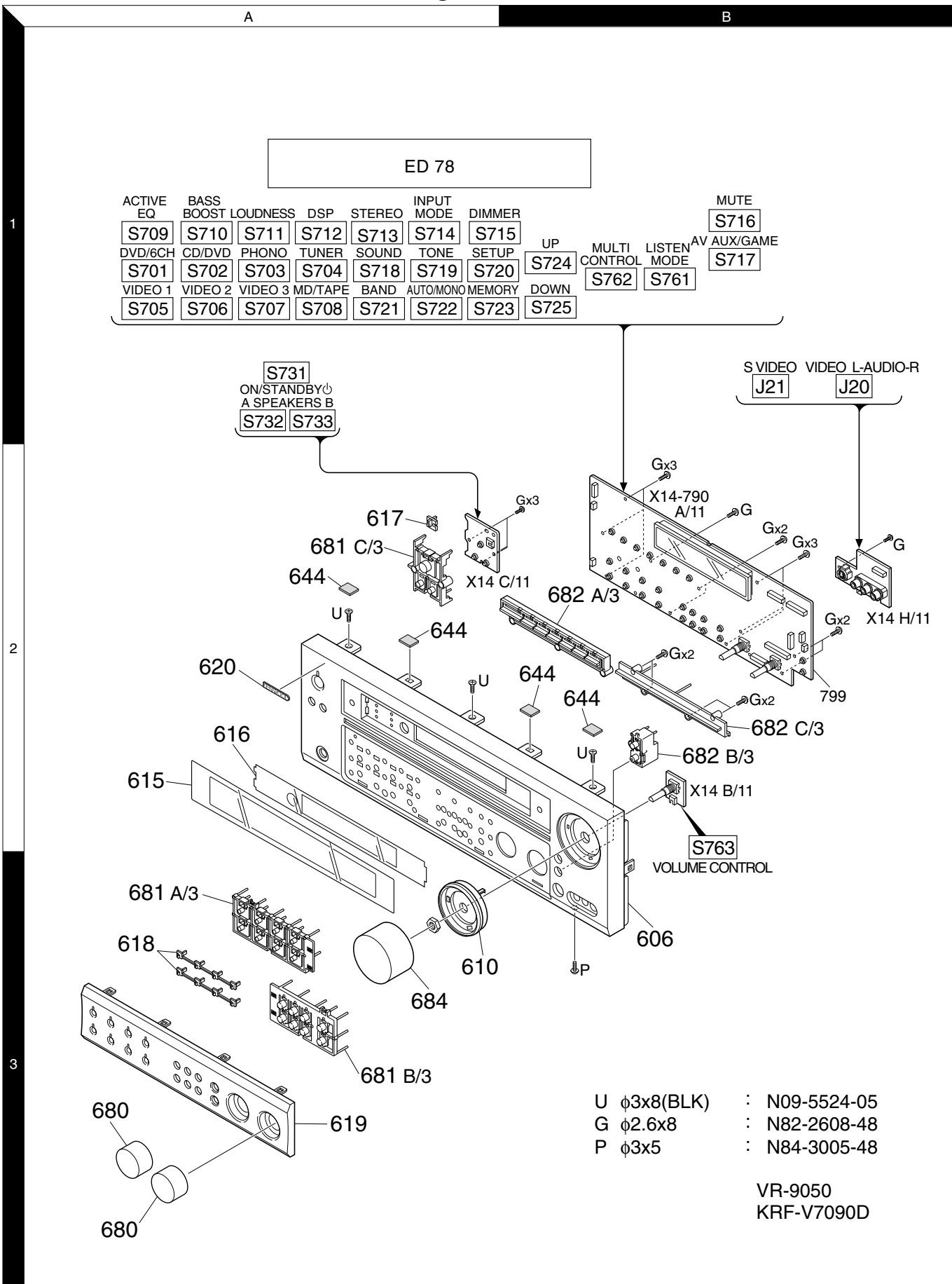
ANODE CONNECTION

	1G	2G	3G	4G	5G	6-14G	15G	16G
P1	L	1-1	1-1	1-1	1-1	1-1	1-1	1-1
P2	C	2-1	2-1	2-1	2-1	2-1	2-1	2-1
P3	R	3-1	3-1	3-1	3-1	3-1	3-1	3-1
P4	SR	4-1	4-1	4-1	4-1	4-1	4-1	4-1
P5	SB	5-1	5-1	5-1	5-1	5-1	5-1	5-1
P6	SL	1-2	1-2	1-2	1-2	1-2	1-2	1-2
P7	S	2-2	2-2	2-2	2-2	2-2	2-2	2-2
P8	SW	3-2	3-2	3-2	3-2	3-2	3-2	3-2
P9	LFE	4-2	4-2	4-2	4-2	4-2	4-2	4-2
P10	(L)	5-2	5-2	5-2	5-2	5-2	5-2	5-2
P11	(C)	1-3	1-3	1-3	1-3	1-3	1-3	1-3
P12	(R)	2-3	2-3	2-3	2-3	2-3	2-3	2-3
P13	(SR)	3-3	3-3	3-3	3-3	3-3	3-3	3-3
P14	(SBR)	4-3	4-3	4-3	4-3	4-3	4-3	4-3
P15	(SBL)	5-3	5-3	5-3	5-3	5-3	5-3	5-3
P16	(SL)	1-4	1-4	1-4	1-4	1-4	1-4	1-4
P17	(SW)	2-4	2-4	2-4	2-4	2-4	2-4	2-4
P18	AUTO DETECT	3-4	3-4	3-4	3-4	3-4	3-4	3-4
P19	DIGITAL	4-4	4-4	4-4	4-4	4-4	4-4	4-4
P20	6CH INPUT	5-4	5-4	5-4	5-4	5-4	5-4	5-4
P21	DOLBY DIGITAL	1-5	1-5	1-5	1-5	1-5	1-5	1-5
P22	(DOLBY DIGITAL) EX	2-5	2-5	2-5	2-5	2-5	2-5	2-5
P23	DOLBY EX	3-5	3-5	3-5	3-5	3-5	3-5	3-5
P24	DOLBY PL	4-5	4-5	4-5	4-5	4-5	4-5	4-5
P25	II	5-5	5-5	5-5	5-5	5-5	5-5	5-5
P26	X	1-6	1-6	1-6	1-6	1-6	1-6	1-6
P27	DTS	2-6	2-6	2-6	2-6	2-6	2-6	2-6
P28	96/24	3-6	3-6	3-6	3-6	3-6	3-6	3-6
P29	ES MATRIX6.1	4-6	4-6	4-6	4-6	4-6	4-6	4-6
P30	ES DISCRETE6.1	5-6	5-6	5-6	5-6	5-6	5-6	5-6
P31	DOLBY H	1-7	1-7	1-7	1-7	1-7	1-7	1-7
P32	DOLBY VS	2-7	2-7	2-7	2-7	2-7	2-7	2-7
P33	RDS	3-7	3-7	3-7	3-7	3-7	3-7	3-7
P34	PTY	4-7	4-7	4-7	4-7	4-7	4-7	4-7
P35	AUTO	5-7	5-7	5-7	5-7	5-7	5-7	5-7
P36	MEMORY	—	THX	NEO:6	STEREO	—	MUTE	SP
P37	STEREO	—	Surround EX	AAC	96kHzfs	—	CLIP	A
P38	TUNED	—	DSP MODE	SLEEP	LOUDNESS	—	—	B

MODEL NAME	DESTINATION COUNTRY	ABB.	UNIT No.	C105	C106	C107	C108	C109	C110	C111	C112	C113	C114	C115	C116	C117	C118	C119	C120	C121	C122	C123	C124	C125	C126	C127	C128	C129	C130	C131	C132	C133	C134	C135	C136	C137	C138	C139	C140	C141	C142	C143	C144	C145	C146	C147	C148	C149	C150	C151	C152	C153	C154	C155	C156	C157	C158	C159	C160	C161	C162	C163	C164	C165	C166	C167	C168	C169	C170	C171	C172	C173	C174	C175	C176	C177	C178	C179	C180	C181	C182	C183	C184	C185	C186	C187	C188	C189	C190	C191	C192	C193	C194	C195	C196	C197	C198	C199	C200	C201	C202	C203	C204	C205	C206	C207	C208	C209	C210	C211	C212	C213	C214	C215	C216	C217	C218	C219	C220	C221	C222	C223	C224	C225	C226	C227	C228	C229	C230	C231	C232	C233	C234	C235	C236	C237	C238	C239	C240	C241	C242	C243	C244	C245	C246	C247	C248	C249	C250	C251	C252	C253	C254	C255	C256	C257	C258	C259	C260	C261	C262	C263	C264	C265	C266	C267	C268	C269	C270	C271	C272	C273	C274	C275	C276	C277	C278	C279	C280	C281	C282	C283	C284	C285	C286	C287	C288	C289	C290	C291	C292	C293	C294	C295	C296	C297	C298	C299	C300	C301	C302	C303	C304	C305	C306	C307	C308	C309	C310	C311	C312	C313	C314	C315	C316	C317	C318	C319	C320	C321	C322	C323	C324	C325	C326	C327	C328	C329	C330	C331	C332	C333	C334	C335	C336	C337	C338	C339	C340	C341	C342	C343	C344	C345	C346	C347	C348	C349	C350	C351	C352	C353	C354	C355	C356	C357	C358	C359	C360	C361	C362	C363	C364	C365	C366	C367	C368	C369	C370	C371	C372	C373	C374	C375	C376	C377	C378	C379	C380	C381	C382	C383	C384	C385	C386	C387	C388	C389	C390	C391	C392	C393	C394	C395	C396	C397	C398	C399	C400	C401	C402	C403	C404	C405	C406	C407	C408	C409	C410	C411	C412	C413	C414	C415	C416	C417	C418	C419	C420	C421	C422	C423	C424	C425	C426	C427	C428	C429	C430	C431	C432	C433	C434	C435	C436	C437	C438	C439	C440	C441	C442	C443	C444	C445	C446	C447	C448	C449	C450	C451	C452	C453	C454	C455	C456	C457	C458	C459	C460	C461	C462	C463	C464	C465	C466	C467	C468	C469	C470	C471	C472	C473	C474	C475	C476	C477	C478	C479	C480	C481	C482	C483	C484	C485	C486	C487	C488	C489	C490	C491	C492	C493	C494	C495	C496	C497	C498	C499	C500	C501	C502	C503	C504	C505	C506	C507	C508	C509	C510	C511	C512	C513	C514	C515	C516	C517	C518	C519	C520	C521	C522	C523	C524	C525	C526	C527	C528	C529	C530	C531	C532	C533	C534	C535	C536	C537	C538	C539	C540	C541	C542	C543	C544	C545	C546	C547	C548	C549	C550	C551	C552	C553	C554	C555	C556	C557	C558	C559	C560	C561	C562	C563	C564	C565	C566	C567	C568	C569	C570	C571	C572	C573	C574	C575	C576	C577	C578	C579	C580	C581	C582	C583	C584	C585	C586	C587	C588	C589	C590	C591	C592	C593	C594	C595	C596	C597	C598	C599	C600	C601	C602	C603	C604	C605	C606	C607	C608	C609	C610	C611	C612	C613	C614	C615	C616	C617	C618	C619	C620	C621	C622	C623	C624	C625	C626	C627	C628	C629	C630	C631	C632	C633	C634	C635	C636	C637	C638	C639	C640	C641	C642	C643	C644	C645	C646	C647	C648	C649	C650	C651	C652	C653	C654	C655	C656	C657	C658	C659	C660	C661	C662	C663	C664	C665	C666	C667	C668	C669	C670	C671	C672	C673	C674	C675	C676	C677	C678	C679	C680	C681	C682	C683	C684	C685	C686	C687	C688	C689	C690	C691	C692	C693	C694	C695	C696	C697	C698	C699	C700	C701	C702	C703	C704	C705	C706	C707	C708	C709	C710	C711	C712	C713	C714	C715	C716	C717	C718	C719	C720	C721	C722	C723	C724	C725	C726	C727	C728	C729	C730	C731	C732	C733	C734	C735	C736	C737	C738	C739	C740	C741	C742	C743	C744	C745	C746	C747	C748	C749	C750	C751	C752	C753	C754	C755	C756	C757	C758	C759	C760	C761	C762	C763	C764	C765	C766	C767	C768	C769	C770	C771	C772	C773	C774	C775	C776	C777	C778	C779	C780	C781	C782	C783	C784	C785	C786	C787	C788	C789	C790	C791	C792	C793	C794	C795	C796	C797	C798	C799	C800	C801	C
------------	---------------------	------	----------	------	------	------	------	------	------	------	------	------	------	------	------	------	------	------	------	------	------	------	------	------	------	------	------	------	------	------	------	------	------	------	------	------	------	------	------	------	------	------	------	------	------	------	------	------	------	------	------	------	------	------	------	------	------	------	------	------	------	------	------	------	------	------	------	------	------	------	------	------	------	------	------	------	------	------	------	------	------	------	------	------	------	------	------	------	------	------	------	------	------	------	------	------	------	------	------	------	------	------	------	------	------	------	------	------	------	------	------	------	------	------	------	------	------	------	------	------	------	------	------	------	------	------	------	------	------	------	------	------	------	------	------	------	------	------	------	------	------	------	------	------	------	------	------	------	------	------	------	------	------	------	------	------	------	------	------	------	------	------	------	------	------	------	------	------	------	------	------	------	------	------	------	------	------	------	------	------	------	------	------	------	------	------	------	------	------	------	------	------	------	------	------	------	------	------	------	------	------	------	------	------	------	------	------	------	------	------	------	------	------	------	------	------	------	------	------	------	------	------	------	------	------	------	------	------	------	------	------	------	------	------	------	------	------	------	------	------	------	------	------	------	------	------	------	------	------	------	------	------	------	------	------	------	------	------	------	------	------	------	------	------	------	------	------	------	------	------	------	------	------	------	------	------	------	------	------	------	------	------	------	------	------	------	------	------	------	------	------	------	------	------	------	------	------	------	------	------	------	------	------	------	------	------	------	------	------	------	------	------	------	------	------	------	------	------	------	------	------	------	------	------	------	------	------	------	------	------	------	------	------	------	------	------	------	------	------	------	------	------	------	------	------	------	------	------	------	------	------	------	------	------	------	------	------	------	------	------	------	------	------	------	------	------	------	------	------	------	------	------	------	------	------	------	------	------	------	------	------	------	------	------	------	------	------	------	------	------	------	------	------	------	------	------	------	------	------	------	------	------	------	------	------	------	------	------	------	------	------	------	------	------	------	------	------	------	------	------	------	------	------	------	------	------	------	------	------	------	------	------	------	------	------	------	------	------	------	------	------	------	------	------	------	------	------	------	------	------	------	------	------	------	------	------	------	------	------	------	------	------	------	------	------	------	------	------	------	------	------	------	------	------	------	------	------	------	------	------	------	------	------	------	------	------	------	------	------	------	------	------	------	------	------	------	------	------	------	------	------	------	------	------	------	------	------	------	------	------	------	------	------	------	------	------	------	------	------	------	------	------	------	------	------	------	------	------	------	------	------	------	------	------	------	------	------	------	------	------	------	------	------	------	------	------	------	------	------	------	------	------	------	------	------	------	------	------	------	------	------	------	------	------	------	------	------	------	------	------	------	------	------	------	------	------	------	------	------	------	------	------	------	------	------	------	------	------	------	------	------	------	------	------	------	------	------	------	------	------	------	------	------	------	------	------	------	------	------	------	------	------	------	------	------	------	------	------	------	------	------	------	------	------	------	------	------	------	------	------	------	------	------	------	------	------	------	------	------	------	------	------	------	------	------	------	------	------	------	------	------	------	------	------	------	------	------	------	------	------	------	------	------	------	------	------	------	------	------	------	------	------	------	------	------	------	------	------	------	------	------	------	------	------	------	------	------	------	------	------	------	------	------	------	------	------	------	------	------	------	---

KRF-V7090D/VR-9050/9060/9070

EXPLODED VIEW



* New Parts
Parts without **Parts No.** are not supplied.
Les articles non mentionnés dans le **Parts No.** ne sont pas fournis.
Teile ohne **Parts No.** werden nicht geliefert.

①

Ref. No	Add-ress	New Parts	Parts No.	Description	Desti-nation	Re-marks
VR-9070						
601	1C	*	A01-3950-01	METALLIC CABINET	K8P8	
601	1C	*	A01-3951-01	METALLIC CABINET	K9P9	
603	2C	*	A21-5484-12	DRESSING PANEL	K8P8	
603	2C	*	A21-5485-12	DRESSING PANEL	K9P9	
604	2D	*	A22-1906-01	SUB PANEL	K8P8	
604	2D	*	A22-1907-01	SUB PANEL	K9P9	
605	2C	*	A52-1021-01	DOOR	K8P8	
605	2C	*	A52-1022-01	DOOR	K9P9	
606	2C	*	A60-2421-01	PANEL	K8P8	
606	2C	*	A60-2422-01	PANEL	K9P9	
607	1C	*	A70-1675-05	REMOTE CONTROLLER ASSY		
-			B60-5553-00	INSTRUCTION MANUAL (EN)		
-			B60-5554-00	INSTRUCTION MANUAL (FR)		
610	2D	*	B03-3949-02	DRESSING PLATE	P8P9	
610	2D	*	B03-3950-02	DRESSING PLATE	K8P8	
612	2C	*	B10-5563-02	FRONT GLASS	K9P9	
613	2C	*	B11-1612-03	COLOR FILTER		
614	2C	*	B12-0490-04	INDICATOR ASSY	K8P8	
614	2C	*	B12-0492-04	INDICATOR ASSY	K9P9	
616	2C	*	B43-0336-04	BADGE		
620	2C		D39-0321-05	DAMPER		
△ 626	1E		E30-7329-05	AC POWER CORD		
627	1D,2E		E35-3216-05	FLAT CABLE		
628	1E	*	E35-3746-05	FLAT CABLE		
637	1C,1D		F29-0134-04	INSULATING WASHER		
643	1D		G11-2416-04	CUSHION		
644	2C,2E		G11-2885-04	CUSHION		
645	1D		G11-2886-04	CUSHION		
646	2C		G11-2887-04	CUSHION		
647	1D		G11-2916-04	CUSHION		
648	1D		G11-2958-04	CUSHION		
649	1E		G11-2959-04	CUSHION		
650	2C,2D	*	G11-2968-04	CUSHION	K8P8	
650	2C,2D	*	G11-2969-04	CUSHION	K9P9	
-			J61-0307-05	WIRE BAND		
655	2E		J02-1467-03	FOOT (D=60,H=21.5)		
656	1D		J19-5915-05	UNIT HOLDER		
657	2E		J19-6002-04	UNIT HOLDER		
658	2E		J19-6069-05	UNIT HOLDER		
△ 659	1E	*	J19-6312-05	UNIT HOLDER		
671	1E		J42-0083-05	POWER CORD BUSHING		
680	2D	*	K29-8432-04	KNOB	K8P8	
680	2D	*	K29-8433-04	KNOB	K9P9	
681	2D	*	K29-8434-13	KNOB	K9P9	
681	2D	*	K29-8446-13	KNOB	K8P8	
682	2D	*	K29-8435-01	KNOB	K8P8	
682	2D	*	K29-8436-01	KNOB	K9P9	
683	2D	*	K29-8437-04	KNOB ASSY	K8P8	
683	2D	*	K29-8439-04	KNOB ASSY	K9P9	
684	2D	*	K29-8444-04	KNOB	K8P8	

L : Scandinavia K : USA P : Canada R : Mexico C : China I : Malaysia
Y : PX(Far East,Hawaii) T : England E : Europe G : Germany V : China(Shanghai)
Y : AAFES(Europe) X : Australia Q : Russia H : Korea M : Other Areas △ indicates safety critical components.

* New Parts
Parts without **Parts No.** are not supplied.
Les articles non mentionnés dans le **Parts No.** ne sont pas fournis.
Teile ohne **Parts No.** werden nicht geliefert.

②

Ref. No	Add-ress	New Parts	Parts No.	Description	Desti-nation	Re-marks
684	2D	*	K29-8445-04	KNOB	K9P9	
△ 685	2D		L07-3285-15	POWER TRANSFORMER		
A		*	N84-2005-48	PAN HEAD TAPTITE SCREW		
G			N82-2608-48	BINDING HEAD TAPTITE SCREW		
J			N89-3008-48	BINDING HEAD TAPTITE SCREW		
M			N89-3018-48	BINDING HEAD TAPTITE SCREW		
N			N89-3010-48	BINDING HEAD TAPTITE SCREW		
P		*	N84-3005-48	PAN HEAD TAPTITE SCREW		
R			N84-2605-48	PAN HEAD TAPTITE SCREW	K9P9	
690	1C		T90-0893-05	LOOP ANTENNA		
691	1C		T90-0905-05	LEAD WIRE ANTENNA		
692	2C		T99-0672-05	MAGNET		
Q11 ,12		*	TRAIT3KNNF	TRANSISTOR		
Q13 ,14		*	TRAIT3KPNF	TRANSISTOR		
Q31 ,32		*	TRAIT3KNNF	TRANSISTOR		
Q33 ,34		*	TRAIT3KPNF	TRANSISTOR		
Q51 ,52		*	TRAIT3KNNF	TRANSISTOR		
Q53 ,54		*	TRAIT3KPNF	TRANSISTOR		
Q718		*	TRAIT3KNNF	TRANSISTOR		
Q720		*	TRAIT3KPNF	TRANSISTOR		
694	1E		W02-2974-15	TUNER ASSY		
VR-9060						
601	1C		A01-3950-01	METALLIC CABINET	K6P6	
601	1C		A01-3951-01	METALLIC CABINET	K7P7	
603	2C	*	A21-5486-02	DRESSING PANEL	K6P6	
603	2C	*	A21-5487-02	DRESSING PANEL	K7P7	
604	2D	*	A22-1906-01	SUB PANEL	K6P6	
604	2D		A22-1907-01	SUB PANEL	K7P7	
605	2C		A52-1021-01	DOOR	K6P6	
605	2C		A52-1022-01	DOOR	K7P7	
606	2C	*	A60-2428-01	PANEL	K6P6	
606	2C	*	A60-2429-01	PANEL	K7P7	
607	1C	*	A70-1671-05	REMOTE CONTROLLER ASSY		
-			B60-5551-00	INSTRUCTION MANUAL (EN)		
-			B60-5552-00	INSTRUCTION MANUAL (FR)		
610	2D	*	B03-3953-02	DRESSING PLATE	P6P7	
610	2D	*	B03-3954-02	DRESSING PLATE	K6P6	
612	2C	*	B10-5563-02	FRONT GLASS	K7P7	
613	2C	*	B11-1616-03	COLOR FILTER		
614	2C		B12-0490-04	INDICATOR ASSY		
614	2C		B12-0492-04	INDICATOR ASSY	K6P6	
616	2C		B43-0336-04	BADGE	K7P7	
620	2C		D39-0321-05	DAMPER		
△ 626	1E		E30-7329-05	AC POWER CORD		
627	1D,2E		E35-3216-05	FLAT CABLE		
628	2E		E35-3746-05	FLAT CABLE		
637	1C,1D		F29-0134-04	INSULATING WASHER		
643	1D		G11-2416-04	CUSHION		
644	2C,2E		G11-2885-04	CUSHION		

L : Scandinavia K : USA P : Canada R : Mexico C : China I : Malaysia
Y : PX(Far East,Hawaii) T : England E : Europe G : Germany V : China(Shanghai)
Y : AAFES(Europe) X : Australia Q : Russia H : Korea M : Other Areas △ indicates safety critical components.

* New Parts

Parts without **Parts No.** are not supplied.

Les articles non mentionnés dans le **Parts No.** ne sont pas fournis.

Teile ohne **Parts No.** werden nicht geliefert.



Ref. No	Add-ress	New Parts	Parts No.	Description	Desti-nation	Re-marks
645	1D		G11-2886-04	CUSHION		
646	2C		G11-2887-04	CUSHION		
647	1D		G11-2916-04	CUSHION		
648	1D		G11-2958-04	CUSHION		
649	1E		G11-2959-04	CUSHION		
650	2C,2D		G11-2968-04	CUSHION	K6P6	
650	2C,2D		G11-2969-04	CUSHION	K7P7	
-			J61-0307-05	WIRE BAND		
655	2E		J02-1467-03	FOOT (D=60,H=21.5)		
656	1D		J19-5915-05	UNIT HOLDER		
657	2E		J19-6002-04	UNIT HOLDER		
658	2E		J19-6069-05	UNIT HOLDER		
△ 659	1E		J19-6312-05	UNIT HOLDER		
671	1E		J42-0083-05	POWER CORD BUSHING		
680	2D		K29-8432-04	KNOB	K6P6	
680	2D		K29-8433-04	KNOB	K7P7	
681	2D		K29-8434-13	KNOB	K7P7	
681	2D		K29-8446-13	KNOB	K6P6	
682	2D		K29-8435-01	KNOB	K6P6	
682	2D		K29-8436-01	KNOB	K7P7	
683	2D		K29-8437-04	KNOB ASSY	K6P6	
683	2D		K29-8439-04	KNOB ASSY	K7P7	
684	2D		K29-8444-04	KNOB	K6P6	
684	2D		K29-8445-04	KNOB	K7P7	
△ 685	2D		L07-3285-15	POWER TRANSFORMER		
A			N84-2005-48	PAN HEAD TAPTITE SCREW		
G			N82-2608-48	BINDING HEAD TAPTITE SCREW		
J			N89-3008-48	BINDING HEAD TAPTITE SCREW		
M			N89-3018-48	BINDING HEAD TAPTITE SCREW		
N			N89-3010-48	BINDING HEAD TAPTITE SCREW		
P			N84-3005-48	PAN HEAD TAPTITE SCREW		
R			N84-2605-48	PAN HEAD TAPTITE SCREW	K7P7	
690	1C		T90-0893-05	LOOP ANTENNA		
691	1C		T90-0905-05	LEAD WIRE ANTENNA		
692	2C		T99-0672-05	MAGNET		
Q11 ,12			TRAIT3KNNF	TRANSISTOR		
Q13 ,14			TRAIT3KPNF	TRANSISTOR		
Q31 ,32			TRAIT3KNNF	TRANSISTOR		
Q33 ,34			TRAIT3KPNF	TRANSISTOR		
Q51 ,52			TRAIT3KNNF	TRANSISTOR		
Q53 ,54			TRAIT3KPNF	TRANSISTOR		
Q718			TRAIT3KNNF	TRANSISTOR		
Q720			TRAIT3KPNF	TRANSISTOR		
694	1E		W02-2974-15	TUNER ASSY		
KRF-V7090D/VR-9050						
601	1C		A01-3948-01	METALLIC CABINET	K4P4E4	
601	1C	*	A01-3949-01	METALLIC CABINET	E5	
601	1C	*	A01-3949-01	METALLIC CABINET	K5P5X5	
606	3B	*	A60-2425-01	PANEL	K4P4E4	
606	3B	*	A60-2426-01	PANEL	E5	
606	3B	*	A60-2426-01	PANEL	K5P5X5	

L : Scandinavia K : USA P : Canada R : Mexico C : China I : Malaysia
 Y : PX(Far East,Hawaii) T : England E : Europe G : Germany V : China(Shanghai)
 Y : AAFES(Europe) X : Australia Q : Russia H : Korea M : Other Areas △ indicates safety critical components .

* New Parts

Parts without **Parts No.** are not supplied.

Les articles non mentionnés dans le **Parts No.** ne sont pas fournis.

Teile ohne **Parts No.** werden nicht geliefert.



Ref. No	Add-ress	New Parts	Parts No.	Description	Desti-nation	Re-marks
607	1C	*	A70-1673-05	REMOTE CONTROLLER ASSY	K4K5P4	
607	1C	*	A70-1673-05	REMOTE CONTROLLER ASSY	P5	
607	1C	*	A70-1674-05	REMOTE CONTROLLER ASSY	X5E4E5	
-			B60-5534-00	INSTRUCTION MANUAL (EN)	K4K5P4	
-			B60-5534-00	INSTRUCTION MANUAL (EN)	P5	
-			B60-5535-00	INSTRUCTION MANUAL (FR)	P4P5	
-			B60-5536-00	INSTRUCTION MANUAL (6-LN)	E4E5	
-			B60-5537-00	INSTRUCTION MANUAL (EN)	X5	
610	3A		B07-2606-03	ESCUTCHEON	K4P4E4	
610	3A		B07-2607-03	ESCUTCHEON	E5	
610	3A		B07-2607-03	ESCUTCHEON	K5P5X5	
615	2A	*	B10-5571-02	FRONT GLASS	K4K5P4	
615	2A	*	B10-5571-02	FRONT GLASS	P5	
615	2A	*	B10-5572-02	FRONT GLASS	X5E4E5	
616	2A	*	B11-1618-03	COLOR FILTER		
617	2A	*	B12-0484-14	INDICATOR		
618	3A	*	B12-0486-03	INDICATOR		
619	3A	*	B07-2720-01	ESCUTCHEON	K4P4E4	
619	3A	*	B07-2721-01	ESCUTCHEON	E5	
619	3A	*	B07-2721-01	ESCUTCHEON	K5P5X5	
620	2A		B43-0336-04	BADGE		
△ 626	1E		E30-7329-05	AC POWER CORD	K4K5P4	
△ 626	1E		E30-7329-05	AC POWER CORD	P5	
△ 626	1E		E30-7330-05	AC POWER CORD	X5	
△ 626	1E		E30-7346-05	AC POWER CORD	E4E5	
627	1D,2E		E35-3216-05	FLAT CABLE		
628	1E		E35-3746-05	FLAT CABLE		
637	1C,1D		F29-0134-04	INSULATING WASHER		
643	1D		G11-2416-04	CUSHION		
644	2A,2E		G11-2885-04	CUSHION		
645	1D		G11-2886-04	CUSHION		
647	1D		G11-2916-04	CUSHION		
648	1D		G11-2958-04	CUSHION		
649	1E		G11-2959-04	CUSHION		
-			J61-0307-05	WIRE BAND		
655	2E		J02-1532-03	FOOT		
656	1D		J19-5915-05	UNIT HOLDER		
657	2E		J19-6002-04	UNIT HOLDER		
658	2E		J19-6069-05	UNIT HOLDER		
659	1E		J19-6312-05	UNIT HOLDER		
△ 671	1E		J42-0083-05	POWER CORD BUSHING		
680	3A		K29-8352-14	KNOB	K4P4E4	
680	3A		K29-8353-04	KNOB	E5	
680	3A		K29-8353-04	KNOB	K5P5X5	
681	2A,3A		K29-8364-11	KNOB	K4P4E4	
681	2A,3A		K29-8365-01	KNOB	E5	
681	2A,3A		K29-8365-01	KNOB	K5P5X5	
682	2B		K29-8358-13	KNOB ASSY	K4P4E4	
682	2B		K29-8362-03	KNOB ASSY	E5	
682	2B		K29-8362-03	KNOB ASSY	K5P5X5	
684	3A		K29-8103-04	KNOB	K4P4E4	

L : Scandinavia K : USA P : Canada R : Mexico C : China I : Malaysia
 Y : PX(Far East,Hawaii) T : England E : Europe G : Germany V : China(Shanghai)
 Y : AAFES(Europe) X : Australia Q : Russia H : Korea M : Other Areas △ indicates safety critical components .

KRF-V7090D/VR-9050/9060/9070 PARTS LIST

* New Parts

Parts without **Parts No.** are not supplied.Les articles non mentionnés dans le **Parts No.** ne sont pas fournis.Teile ohne **Parts No.** werden nicht geliefert.

5

Ref. No	Add-ress	New Parts	Parts No.	Description	Desti-nation	Re-marks
684	3A		K29-8104-04	KNOB	E5	
684	3A		K29-8104-04	KNOB	K5P5X5	
△ 685	2D		L07-3285-15	POWER TRANSFORMER	K4K5P4	
△ 685	2D		L07-3285-15	POWER TRANSFORMER	P5	
△ 685	2D		L07-3286-15	POWER TRANSFORMER	E4E5	
△ 685	2D		L07-3287-15	POWER TRANSFORMER	X5	
△ 685	2D		L92-0579-05	FERRITE CORE	E4E5	
G			N82-2608-48	BINDING HEAD TAPTITE SCREW		
J			N89-3008-48	BINDING HEAD TAPTITE SCREW		
M			N89-3018-48	BINDING HEAD TAPTITE SCREW		
N			N89-3010-48	BINDING HEAD TAPTITE SCREW		
P			N84-3005-48	PAN HEAD TAPTITE SCREW		
690	1C		T90-0893-05	LOOP ANTENNA		
691	1C		T90-0855-05	LEAD WIRE ANTENNA	X5E4E5	
691	1C		T90-0905-05	LEAD WIRE ANTENNA	K4K5P4	
691	1C		T90-0905-05	LEAD WIRE ANTENNA	P5	
△ Q11 ,12			TRAIT3KNNF	TRANSISTOR		
△ Q13 ,14			TRAIT3KPNF	TRANSISTOR		
△ Q31 ,32			TRAIT3KNNF	TRANSISTOR		
△ Q33 ,34			TRAIT3KPNF	TRANSISTOR		
△ Q51 ,52			TRAIT3KNNF	TRANSISTOR		
△ Q53 ,54			TRAIT3KPNF	TRANSISTOR		
△ Q718			TRAIT3KNNF	TRANSISTOR		
△ Q720			TRAIT3KPNF	TRANSISTOR		
TH1	2E		DP40203SG270	THERMISTOR	X5E4E5	
694	1E		W02-2974-15	TUNER ASSY	K4K5P4	
694	1E		W02-2974-15	TUNER ASSY	P5	
694	1E		W02-2976-05	TUNER ASSY	X5E4E5	
SURROUND (X08-3390-10)						
C3 ,2			CK73GB1H472K	CHIP C	4700PF	K
C13 ,4			CC73GCH1H220J	CHIP C	22PF	J
C5 ,6			CD04BJ1E470M	ELECTRO	47UF	25WV
C7			CD04BJ1H100M	ELECTRO	10UF	50WV
C8 ,9			CC73GCH1H221J	CHIP C	220PF	J
C11			CK73GB1H104K	CHIP C	0.10UF	K
C12			CK73GB1A474K	CHIP C	0.47UF	K
C13 ,14			CK73GB1H104K	CHIP C	0.10UF	K
C15			CK73GB1H102K	CHIP C	1000PF	K
C16			CK73GB1H103K	CHIP C	0.010UF	K
C41			CK73GB1H104K	CHIP C	0.10UF	K
C42			CK73GB1H103K	CHIP C	0.010UF	K
C43			CD04BJ1H2R2M	ELECTRO	2.2UF	50WV
C44 ,45			CK73GB1H104K	CHIP C	0.10UF	K
C46			CD04BJ1E470M	ELECTRO	47UF	25WV
C47 ,48			CD04BJ1H4R7M	ELECTRO	4.7UF	50WV
C49			CD04BJ1H100M	ELECTRO	10UF	50WV
C50 ,51			CK73GB1H103K	CHIP C	0.010UF	K
C57 ,58			CC73GSL1H471J	CHIP C	470PF	J
C61 ,62			CC73GCH1H080D	CHIP C	8.0PF	D
C63			CK73GB1H102K	CHIP C	1000PF	K
C64			CK73GB1C563K	CHIP C	0.056UF	K
C65			CD04BJ1E470M	ELECTRO	47UF	25WV
C66			CC73GCH1H220J	CHIP C	22PF	J
C79			CK73GB1H103K	CHIP C	0.010UF	K

L: Scandinavia K: USA P: Canada R: Mexico C: China I: Malaysia
 Y: PX(Far East,Hawaii) T: England E: Europe G: Germany V: China(Shanghai)
 Y: AAFES(Europe) X: Australia Q: Russia H: Korea M: Other Areas △ indicates safety critical components.

* New Parts

Parts without **Parts No.** are not supplied.Les articles non mentionnés dans le **Parts No.** ne sont pas fournis.Teile ohne **Parts No.** werden nicht geliefert.

6

Ref. No	Add-ress	New Parts	Parts No.	Description	Desti-nation	Re-marks
C80			CK73FB1E104K	CHIP C	0.10UF	K
C81			CK73GB1H104K	CHIP C	0.10UF	K
C82			CD04BJ1H100M	ELECTRO	10UF	50WV
C83 ,84			CK73GB1H104K	CHIP C	0.10UF	K
C85			CD04BJ1H100M	ELECTRO	10UF	50WV
C88			CD04BJ1H100M	ELECTRO	10UF	50WV
C89			CK73FB1E104K	CHIP C	0.10UF	K
C90			CK73GB1H104K	CHIP C	0.10UF	K
C91			CD04BJ1H100M	ELECTRO	10UF	50WV
C92			CK73FB1E104K	CHIP C	0.10UF	K
C93			CK73GB1H104K	CHIP C	0.10UF	K
C94			CD04BJ1H100M	ELECTRO	10UF	50WV
C95			CK73FB1C105K	CHIP C	1.0UF	K
C96			CK73GB1H104K	CHIP C	0.10UF	K
C97			CD04BJ1A101M	ELECTRO	100UF	10WV
C98			CK73FB1E104K	CHIP C	0.10UF	K
C99			CK73GB1H103K	CHIP C	0.010UF	K
C100			CD04BJ1C472M	ELECTRO	4700UF	16WV
C101 ,102			CD04BJ1H100M	ELECTRO	10UF	50WV
C103-106			CK73GB1H182K	CHIP C	1800PF	K
C109			CC73GCH1H101J	CHIP C	100PF	J
C110			CK73GB1H103K	CHIP C	0.010UF	K
C121 ,122			CD04BJ1H100M	ELECTRO	10UF	50WV
C123 ,124			CK73GB1H222K	CHIP C	2200PF	K
C125 ,126			CK73GB1H821K	CHIP C	820PF	K
C129			CC73GCH1H101J	CHIP C	100PF	J
C130			CK73GB1H103K	CHIP C	0.010UF	K
C141 ,142			CD04BJ1H100M	ELECTRO	10UF	50WV
C143-146			CK73GB1H182K	CHIP C	1800PF	K
C149			CC73GCH1H101J	CHIP C	100PF	J
C150			CK73GB1H103K	CHIP C	0.010UF	K
C161 ,162			CD04BJ1H100M	ELECTRO	10UF	50WV
C163			CK73GB1H182K	CHIP C	1800PF	K
C164			CK73GB1H822K	CHIP C	8200PF	K
C165			CK73GB1H182K	CHIP C	1800PF	K
C166			CK73GB1H822K	CHIP C	8200PF	K
C169			CC73GCH1H101J	CHIP C	100PF	J
C170			CK73GB1H103K	CHIP C	0.010UF	K
C181 ,182			CC73GCH1H220J	CHIP C	22PF	J
C189			CC73GCH1H101J	CHIP C	100PF	J
C190			CK73GB1H103K	CHIP C	0.010UF	K
C191-196			CD04BJ1H4R7M	ELECTRO	4.7UF	50WV
C197			CK73GB1H102K	CHIP C	1000PF	K
C198			CC73GCH1H101J	CHIP C	100PF	J
C261 ,262			CD04BJ1H100M	ELECTRO	10UF	50WV
C263 ,264			CC73GCH1H220J	CHIP C	22PF	J
C265 ,266			CD04BJ1H4R7M	ELECTRO	4.7UF	50WV
C267			CC73GCH1H101J	CHIP C	100PF	J
C268			CK73GB1H103K	CHIP C	0.010UF	K
C501-528			CK73GB1H103K	CHIP C	0.010UF	K
C529			CD04BJ1H100M	ELECTRO	10UF	50WV
C530-543			CK73GB1H103K	CHIP C	0.010UF	K
C544 ,545			CK73GB1H104K	CHIP C	0.10UF	K
C546-553			CK73GB1H103K	CHIP C	0.010UF	K
C554			CK73GB1H104K	CHIP C	0.10UF	K

L: Scandinavia K: USA P: Canada R: Mexico C: China I: Malaysia
 Y: PX(Far East,Hawaii) T: England E: Europe G: Germany V: China(Shanghai)
 Y: AAFES(Europe) X: Australia Q: Russia H: Korea M: Other Areas △ indicates safety critical components.

* New Parts

Parts without **Parts No.** are not supplied.

Les articles non mentionnés dans le **Parts No.** ne sont pas fournis.

Teile ohne **Parts No.** werden nicht geliefert.

7

Ref. No	Add-ress	New Parts	Parts No.	Description	Desti-nation	Re-marks
C555			CK73GB1H103K	CHIP C 0.010UF K		
C556-558			CK73GB1H102K	CHIP C 1000PF K		
C560			CK73GB1H103K	CHIP C 0.010UF K		
C561,562			CC73GCH1H101J	CHIP C 100PF J		
C563-565			CK73GB1H103K	CHIP C 0.010UF K		
C567-570			CK73GB1H103K	CHIP C 0.010UF K		
C571,572			CC73GCH1H150J	CHIP C 15PF J		
C573			CK73GB1H102K	CHIP C 1000PF K		
C574			CK73GB1H103K	CHIP C 0.010UF K		
C575			CC73GCH1H100D	CHIP C 10PF D		
C601			CC73GCH1H101J	CHIP C 100PF J		
C602			CK73GB1H681K	CHIP C 680PF K		
C603			CC73GCH1H101J	CHIP C 100PF J		
C604			CC73GCH1H100D	CHIP C 10PF D		
CN4			E41-1435-05	FLAT CABLE CONNECTOR		
J1		*	E63-1387-05	PIN JACK		
L1 ,2			L92-0510-05	CHIP FERRITE		
L3 -5			L92-0578-05	CHIP FERRITE		
X6			L77-2419-05	CRYSTAL RESONATOR(24.576MHZ, H		
X51			L77-2420-05	CRYSTAL RESONATOR(18.75MHZ, HC		
CP51-66			RK74GB1J220J	CHIP-COM 22 J 1/16W		
CP71-75			RK74GB1J181J	CHIP-COM 180 J 1/16W		
R1 ,2			RK73GB2A101J	CHIP R 100 J 1/10W		
R3			RK73EB2E4R7J	CHIP R 4.7 J 1/4W		
R4			RK73GB2A471J	CHIP R 470 J 1/10W	6789	
R5			RK73EB2E4R7J	CHIP R 4.7 J 1/4W	6789	
R6			RK73EB2E4R7J	CHIP R 4.7 J 1/4W		
R7 ,8			RK73GB2A750J	CHIP R 75 J 1/10W		
R11 ,12			RK73GB2A101J	CHIP R 100 J 1/10W		
R21			RK73GB2A183J	CHIP R 18K J 1/10W		
R23			RK73GB2A330J	CHIP R 33 J 1/10W		
R24 -26			RK73GB2A101J	CHIP R 100 J 1/10W		
R27			RK73GB2A104J	CHIP R 100K J 1/10W		
R30 ,31			RK73GB2A101J	CHIP R 100 J 1/10W		
R32			RK73GB2A102J	CHIP R 1.0K J 1/10W		
R33			RK73GB2A181J	CHIP R 180 J 1/10W		
R41			RK73GB2A330J	CHIP R 33 J 1/10W		
R42			RK73GB2A104J	CHIP R 100K J 1/10W		
R43 -47			RK73GB2A101J	CHIP R 100 J 1/10W		
R48 ,49			RK73GB2A100J	CHIP R 10 J 1/10W		
R50			RK73GB2A181J	CHIP R 180 J 1/10W		
R51			RK73GB2A100J	CHIP R 10 J 1/10W		
R52			RK73EB2E4R7J	CHIP R 4.7 J 1/4W		
R55 ,56			RK73GB2A471J	CHIP R 470 J 1/10W		
R61 ,62			RK73GB2A105J	CHIP R 1.0M J 1/10W		
R63			RK73GB2A221J	CHIP R 220 J 1/10W		
R64			RK73FB2A2R2J	CHIP R 2.2 J 1/10W		
R65			RK73GB2A330J	CHIP R 33 J 1/10W		
R81			RK73EB2E2R2J	CHIP R 2.2 J 1/4W		
R82 ,83			R92-1918-05	CHIP R 0.33 J 1/4W		
R84			RS14KB3D680J	FL-PROOF RS 68 J 2W		
R85			RS14KB3D560J	FL-PROOF RS 56 J 2W		
R86			RS14KB3D3R3J	FL-PROOF RS 3.3 J 2W	K4K5P4	
R86			RS14KB3D3R3J	FL-PROOF RS 3.3 J 2W	P5X5	

L : Scandinavia K : USA P : Canada R : Mexico C : China I : Malaysia
 Y : PX(Far East,Hawaii) T : England E : Europe G : Germany V : China(Shanghai)
 Y : AAFES(Europe) X : Australia Q : Russia H : Korea M : Other Areas Δ indicates safety critical components .

* New Parts

Parts without **Parts No.** are not supplied.

Les articles non mentionnés dans le **Parts No.** ne sont pas fournis.

Teile ohne **Parts No.** werden nicht geliefert.

8

Ref. No	Add-ress	New Parts	Parts No.	Description	Desti-nation	Re-marks
R86			RS14KB3D3R3J	FL-PROOF RS 3.3 J 2W	6789	
R86			RS14KB3D3R9J	FL-PROOF RS 3.9 J 2W	E4E5	
R87			RS14KB3D3R3J	FL-PROOF RS 3.3 J 2W		
R88			RS14KB3D2R2J	FL-PROOF RS 2.2 J 2W		
R89			RK73GB2A202J	CHIP R 2.0K J 1/10W		
R90 ,91			RK73GB2A103J	CHIP R 10K J 1/10W		
R92			RK73GB2A152J	CHIP R 1.5K J 1/10W		
R93			RK73GB2A102J	CHIP R 1.0K J 1/10W		
R94			RK73GB2A472J	CHIP R 4.7K J 1/10W		
R95			RK73GB2A473J	CHIP R 47K J 1/10W		
R96 ,97			RK73GB2A221J	CHIP R 220 J 1/10W		
R98			R92-1918-05	CHIP R 0.33 J 1/4W		
R101,102			RK73GB2A104J	CHIP R 100K J 1/10W		
R103,104			RK73GB2A222J	CHIP R 2.2K J 1/10W		
R105,106			RK73GB2A102J	CHIP R 1.0K J 1/10W		
R107,108			RK73GB2A103J	CHIP R 10K J 1/10W		
R109,110			RK73GB2A472J	CHIP R 4.7K J 1/10W		
R111,112			RK73GB2A221J	CHIP R 220 J 1/10W		
R121,122			RK73GB2A104J	CHIP R 100K J 1/10W		
R123,124			RK73GB2A332J	CHIP R 3.3K J 1/10W		
R125,126			RK73GB2A911J	CHIP R 910 J 1/10W		
R127,128			RK73GB2A272J	CHIP R 2.7K J 1/10W		
R129,130			RK73GB2A562J	CHIP R 5.6K J 1/10W		
R131,132			RK73GB2A221J	CHIP R 220 J 1/10W		
R141,142			RK73GB2A104J	CHIP R 100K J 1/10W		
R143,144			RK73GB2A222J	CHIP R 2.2K J 1/10W		
R145,146			RK73GB2A102J	CHIP R 1.0K J 1/10W		
R147,148			RK73GB2A103J	CHIP R 10K J 1/10W		
R149,150			RK73GB2A472J	CHIP R 4.7K J 1/10W		
R151,152			RK73GB2A221J	CHIP R 220 J 1/10W		
R161,162			RK73GB2A104J	CHIP R 100K J 1/10W		
R163			RK73GB2A222J	CHIP R 2.2K J 1/10W		
R164			RK73GB2A273J	CHIP R 27K J 1/10W		
R165			RK73GB2A102J	CHIP R 1.0K J 1/10W		
R166			RK73GB2A183J	CHIP R 18K J 1/10W		
R167,168			RK73GB2A103J	CHIP R 10K J 1/10W		
R169			RK73GB2A472J	CHIP R 4.7K J 1/10W		
R170			RK73GB2A912J	CHIP R 9.1K J 1/10W		
R171,172			RK73GB2A221J	CHIP R 220 J 1/10W		
R181,182			RK73GB2A102J	CHIP R 1.0K J 1/10W		
R185-188			RK73GB2A562J	CHIP R 5.6K J 1/10W		
R189,190			RK73GB2A101J	CHIP R 100 J 1/10W		
R201-208			RK73GB2A104J	CHIP R 100K J 1/10W		
R209-212			RK73GB2A472J	CHIP R 4.7K J 1/10W		
R213,214			RK73GB2A432J	CHIP R 4.3K J 1/10W		
R215,216			RK73GB2A562J	CHIP R 5.6K J 1/10W		
R217,218			RK73GB2A472J	CHIP R 4.7K J 1/10W		
R219,220			RK73GB2A562J	CHIP R 5.6K J 1/10W		
R261-264			RK73GB2A562J	CHIP R 5.6K J 1/10W		
R265,266			RK73GB2A101J	CHIP R 100 J 1/10W		
R501,502			RK73GB2A330J	CHIP R 33 J 1/10W		
R503-506			RK73GB2A104J	CHIP R 100K J 1/10W		
R507-509			RK73GB2A101J	CHIP R 100 J 1/10W		
R510			RK73GB2A104J	CHIP R 100K J 1/10W		
R511			RK73GB2A330J	CHIP R 33 J 1/10W		

L : Scandinavia K : USA P : Canada R : Mexico C : China I : Malaysia
 Y : PX(Far East,Hawaii) T : England E : Europe G : Germany V : China(Shanghai)
 Y : AAFES(Europe) X : Australia Q : Russia H : Korea M : Other Areas Δ indicates safety critical components .

KRF-V7090D/VR-9050/9060/9070
PARTS LIST

* New Parts

Parts without **Parts No.** are not supplied.Les articles non mentionnés dans le **Parts No.** ne sont pas fournis.Teile ohne **Parts No.** werden nicht geliefert.

9

Ref. No	Add-ress	New Parts	Parts No.	Description	Desti-nation	Re-marks
R512			RK73GB2A101J	CHIP R	100	J 1/10W
R513-515			RK73GB2A104J	CHIP R	100K	J 1/10W
R516			RK73GB2A101J	CHIP R	100	J 1/10W
R517			RK73GB2A220J	CHIP R	22	J 1/10W
R518			RK73FB2A100J	CHIP R	10	J 1/10W
R521			RK73GB2A472J	CHIP R	4.7K	J 1/10W
R523,524			RK73GB2A472J	CHIP R	4.7K	J 1/10W
R525,526			RK73GB2A220J	CHIP R	22	J 1/10W
R527			RK73GB2A101J	CHIP R	100	J 1/10W
R528-530			RK73GB2A472J	CHIP R	4.7K	J 1/10W
R532-534			RK73GB2A472J	CHIP R	4.7K	J 1/10W
R536			RK73GB2A103J	CHIP R	10K	J 1/10W
R537-540			RK73GB2A472J	CHIP R	4.7K	J 1/10W
R541-548			RK73GB2A100J	CHIP R	10	J 1/10W
R549			RK73GB2A101J	CHIP R	100	J 1/10W
R550			RK73GB2A100J	CHIP R	10	J 1/10W
R551			RK73GB2A104J	CHIP R	100K	J 1/10W
R552			RK73GB2A102J	CHIP R	1.0K	J 1/10W
R553,554			RK73GB2A100J	CHIP R	10	J 1/10W
R560-567			RK73GB2A472J	CHIP R	4.7K	J 1/10W
R571			RK73GB2A105J	CHIP R	1.0M	J 1/10W
R572			RK73GB2A101J	CHIP R	100	J 1/10W
R573			RK73GB2A105J	CHIP R	1.0M	J 1/10W
R574			RK73GB2A103J	CHIP R	10K	J 1/10W
R581			RK73GB2A104J	CHIP R	100K	J 1/10W
R601,602			RK73GB2A100J	CHIP R	10	J 1/10W
R603,604			RK73GB2A120J	CHIP R	12	J 1/10W
R901-904			RK73GB2A000JK	CHIP R	0	J 1/10W
R907,908			RK73GB2A000JK	CHIP R	0	J 1/10W
Δ D1			D2SBA207009F01	DIODE		
Δ D2 -4			MA111	DIODE		
D5			UDZS5.6B	ZENER DIODE		
D6 ,7			UDZS3.9B	ZENER DIODE		
Δ D8			1SR154-400	DIODE		
D9			UDZS3.9B	ZENER DIODE		
D10			UDZS5.1B	ZENER DIODE		
D11 ,12			DAN202U	DIODE		
D13 -16			MA111	DIODE		
Δ D17			1SR154-400	DIODE		
D41			DAP202U	DIODE		
D42			DAN202U	DIODE		
D51			MA111	DIODE		
IC1			AK4114VQ	MOS-IC		
IC2			AK4628-VQ	MOS-IC		
IC6			TC7WU04FU	MOS-IC		
IC10			NJM4565MD-ZB	ANALOGUE IC		
IC12			NJM4565MD-ZB	ANALOGUE IC		
IC14			NJM4565MD-ZB	ANALOGUE IC		
IC16			NJM4565MD-ZB	ANALOGUE IC		
IC18			NJM4565MD-ZB	ANALOGUE IC		
IC18			NJM5532MD	ANALOGUE IC		
IC19			NJM4565MD-ZB	ANALOGUE IC		
IC20			NJU7311AM	MOS-IC		
Δ IC21,22			BA033T	ANALOGUE IC	45 6789	

L : Scandinavia K : USA P : Canada R : Mexico C : China I : Malaysia
 Y : PX(Far East,Hawaii) T : England E : Europe G : Germany V : China(Shanghai)
 Y : AAFES(Europe) X : Australia Q : Russia H : Korea M : Other Areas Δ indicates safety critical components .

* New Parts

Parts without **Parts No.** are not supplied.Les articles non mentionnés dans le **Parts No.** ne sont pas fournis.Teile ohne **Parts No.** werden nicht geliefert.

10

Ref. No	Add-ress	New Parts	Parts No.	Description	Desti-nation	Re-marks
Δ IC23			BA05T	ANALOGUE IC		
Δ IC24			XC6201P332PRN	ANALOGUE IC		
Δ IC26			SI-3010KM	ANALOGUE IC		
IC50		*	ADSS-T-AVR-1090	MOS-IC		
IC51-53			SN74LVC573APWR	MOS-IC		
IC54			SN74LVC245APWR	MOS-IC		
IC55			SN74LVC2G125T3	MOS-IC		
IC56			SN74LVC139APWR	MOS-IC		
IC57			SN74LVC1G08DC3	MOS-IC		
IC58			SN74LVC1G32DC3	MOS-IC		
IC59		*	A29L800TV7FKF0	ROM IC	4567	
IC59		*	A29L800TV7FKG0	ROM IC	89	
IC60			K6R4008V1DUC10	SRAM IC		
IC61			TC74VHC125FT	MOS-IC		
IC62			TC74HCT7007AF	MOS-IC		
IC63			SN74LVC1G32DC3	MOS-IC		
Q1			2SB1218A(Q,R)	TRANSISTOR		
Q2			2SD1819A(Q,R)	TRANSISTOR		
Q51			2SC4081(R,S)	TRANSISTOR		
A1 ,2			W02-4524-05	OPTIC RECEIVING MODULE		
A3			W02-4540-05	OSCILLATING MODULE	6789	
AUDIO (X09-6960-10)						
C1 ,2			CC45FSL1H221J	CERAMIC	220PF	J
C3 ,4			CD04BJ1H100M	ELECTRO	10UF	50WV
C5 ,6			CC45FSL1H221J	CERAMIC	220PF	J
C7 ,8			CD04BJ1A101M	ELECTRO	100UF	10WV
C9 ,10			CC45FSL1H271J	CERAMIC	270PF	J
C11 ,12			CQ93FMG1H123J	MYLAR	0.012UF	J
C13 ,14			CK45FB1H332K	CERAMIC	3300PF	K
C15 ,16			CD04BJ1H4R7M	ELECTRO	4.7UF	50WV
C17 ,18			CC45FSL1H101J	CERAMIC	100PF	J
C19 -38			CC45FSL1H221J	CERAMIC	220PF	J
C39			CC45FSL1H101J	CERAMIC	100PF	J
C40			CK45FF1H103Z	CERAMIC	0.010UF	Z
C41			CK45FF1H103Z	CERAMIC	0.010UF	Z
C42			CK45FF1H103Z	CERAMIC	0.010UF	Z
C44 ,45			CD04BJ1E470M	ELECTRO	47UF	25WV
C46 ,47			CQ93FMG1H823J	MYLAR	0.082UF	J
C48 ,49			CC45FSL1H101J	CERAMIC	100PF	J
C51 -54			C91-1573-05	MP-C	0.10UF	J
C55 ,56			CQ93FMG1H272J	MYLAR	2700PF	J
C57 ,58			CD04BJ1H2R2M	ELECTRO	2.2UF	50WV
C62 ,63			CD04BJ1H3R3M	ELECTRO	3.3UF	50WV
C64 ,65		*	CD04BJ2A3R3M	ELECTRO	3.3UF	100WV
C66 ,67			CC45FSL1H331J	CERAMIC	330PF	J
C68			CC45FCH1H070D	CERAMIC	7.0PF	D
C69			CC45FCH1H080D	CERAMIC	8.0PF	D
C70 ,71			CK45FB1H222K	CERAMIC	2200PF	K
C72 ,73			CC45FSL1H101J	CERAMIC	100PF	J
C74 ,75			CD04BJ1A221M	ELECTRO	220UF	10WV
C76 ,77			CC45FCH1H150J	CERAMIC	15PF	J
C78 ,79			CK45FB1H561K	CERAMIC	560PF	K
C84 ,85			CD04BJ1E470M	ELECTRO	47UF	25WV
C86 ,87			CC45FSL1H151J	CERAMIC	150PF	J

L : Scandinavia K : USA P : Canada R : Mexico C : China I : Malaysia
 Y : PX(Far East,Hawaii) T : England E : Europe G : Germany V : China(Shanghai)
 Y : AAFES(Europe) X : Australia Q : Russia H : Korea M : Other Areas Δ indicates safety critical components .

* New Parts
 Parts without **Parts No.** are not supplied.
 Les articles non mentionnés dans le **Parts No.** ne sont pas fournis.
 Teile ohne **Parts No.** werden nicht geliefert.

11

Ref. No	Add-ress	New Parts	Parts No.	Description	Desti-nation	Re-marks
C88 ,89			CC45FSL2H470J	CERAMIC 47PF J		
C90 ,91			C91-1573-05	MP-C 0.10UF J	K4K5P4	
C90 ,91			C91-1573-05	MP-C 0.10UF J	P5	
C90 ,91			C91-1573-05	MP-C 0.10UF J	6789	
C90 ,91			C91-1577-05	MP-C 0.22UF J	X5E4E5	
C92 ,93			C91-1577-05	MP-C 0.22UF J	X5E4E5	
C94 ,95			CK45FB1H332K	CERAMIC 3300PF K		
C111-114			CD04BJ1H3R3M	ELECTRO 3.3UF 50WV		
C115,116			CC45FSL1H331J	CERAMIC 330PF J		
C117,118			CC45FCH1H050C	CERAMIC 5.0PF C		
C119,120			CK45FB1H222K	CERAMIC 2200PF K		
C121,122			CC45FSL1H101J	CERAMIC 100PF J		
C123,124			CD04BJ1A221M	ELECTRO 220UF 10WV		
C125,126			CC45FCH1H150J	CERAMIC 15PF J		
C127,128			CK45FB1H561K	CERAMIC 560PF K		
C133,134			CD04BJ1H220M	ELECTRO 22UF 50WV		
C135,136			CC45FSL1H151J	CERAMIC 150PF J		
C137,138			CC45FSL2H470J	CERAMIC 47PF J		
C139-142			C91-1577-05	MP-C 0.22UF J	X5E4E5	
C139,140			C91-1573-05	MP-C 0.10UF J	K4K5P4	
C139,140			C91-1573-05	MP-C 0.10UF J	P5	
C139,140			C91-1573-05	MP-C 0.10UF J	6789	
C161			CD04BJ1H3R3M	ELECTRO 3.3UF 50WV		
C163		*	CD04BJ2A3R3M	ELECTRO 3.3UF 100WV		
C165			CC45FSL1H331J	CERAMIC 330PF J		
C167			CC45FCH1H060D	CERAMIC 6.0PF D		
C169			CK45FB1H222K	CERAMIC 2200PF K		
C171			CC45FSL1H101J	CERAMIC 100PF J		
C173			CD04BJ1A221M	ELECTRO 220UF 10WV		
C175			CC45FCH1H150J	CERAMIC 15PF J		
C177			CK45FB1H561K	CERAMIC 560PF K		
C183			CD04BJ1E470M	ELECTRO 47UF 25WV		
C185			CC45FSL1H151J	CERAMIC 150PF J		
C187			CC45FSL2H470J	CERAMIC 47PF J		
C189-192			C91-1577-05	MP-C 0.22UF J	X5E4E5	
C189,190			C91-1573-05	MP-C 0.10UF J	K4K5P4	
C189,190			C91-1573-05	MP-C 0.10UF J	P5	
C189,190			C91-1573-05	MP-C 0.10UF J	6789	
C193			CK45FB1H332K	CERAMIC 3300PF K		
C195,196			CK45FB1H332K	CERAMIC 3300PF K		
C301,302		*	C90-5840-05	ELECTRO 0.01UF 75WV		
C303			CQ93FMG1H103J	MYLAR 0.010UF J		
C304			CD04BJ1A221M	ELECTRO 220UF 10WV		
C305			CD04BJ1H101M	ELECTRO 100UF 50WV		
C306		*	CD04BJ2A101M1	ELECTRO 100UF 100WV		
C308			CD04BJ1H100M	ELECTRO 10UF 50WV		
C309-311			CD04BJ1H220M	ELECTRO 22UF 50WV		
C312			CD04BJ1A101M	ELECTRO 100UF 10WV		
C315		*	CD04BJ2A330M	ELECTRO 33UF 100WV		
C316			CD04BJ2A100M	ELECTRO 10UF 100WV		
C317,318		*	CD04BJ2A220M	ELECTRO 22UF 100WV		
C319,320			CC45FSL1H101J	CERAMIC 100PF J		
C323			CK45FB1H102K	CERAMIC 1000PF K		
C324,325			CD04BJ1C471M	ELECTRO 470UF 16WV		
C351-353			CC45FSL1H221J	CERAMIC 220PF J		

L : Scandinavia Y : PX(Far East,Hawaii) Y : AAFES(Europe)
 K : USA T : England X : Australia
 P : Canada E : Europe Q : Russia
 R : Mexico G : Germany H : Korea
 C : China V : China(Shanghai) M : Other Areas
 I : Malaysia
 A indicates safety critical components.

* New Parts
 Parts without **Parts No.** are not supplied.
 Les articles non mentionnés dans le **Parts No.** ne sont pas fournis.
 Teile ohne **Parts No.** werden nicht geliefert.

12

Ref. No	Add-ress	New Parts	Parts No.	Description	Desti-nation	Re-marks
C354			CQ93FMG1H122J	MYLAR 1200PF J		
C355-360			CK45FF1H472Z	CERAMIC 4700PF Z		
C361,362			CD04BJ1H220M	ELECTRO 22UF 50WV		
C363			CD04BJ1E470M	ELECTRO 47UF 25WV		
C364		*	CD04AU1H2R2M	NP-ELEC 2.2UF 50WV		
C365			CD04BJ1A221M	ELECTRO 220UF 10WV		
C366			CD04BJ1H4R7M	ELECTRO 4.7UF 50WV		
C367			CD04BJ1A221M	ELECTRO 220UF 10WV		
C368			CD04BJ1H4R7M	ELECTRO 4.7UF 50WV		
C369			CD04AU1E220M	NP ELEC 22UF 25WV		
C370			CK45FB1H102K	CERAMIC 1000PF K		
C450			CK45FE2H103P	CERAMIC 0.010UF P		
C451-453			CK45FB2H102K	CERAMIC 1000PF K		
C501,502			CC45FSL1H221J	CERAMIC 220PF J		
C503			CK45FF1H103Z	CERAMIC 0.010UF Z		
C600			CD04BJ1E101M	ELECTRO 100UF 25WV		
C609			CC45FCH1H100D	CERAMIC 10PF D		
C610		*	CD04BJ2A101M1	ELECTRO 100UF 100WV		
C611			CD04BJ1H220M	ELECTRO 22UF 50WV		
C722			CD04BJ1H220M	ELECTRO 22UF 50WV		
CN4 ,5			E41-1435-05	FLAT CABLE CONNECTOR		
J3		*	E63-1379-05	PIN JACK		
J5		*	E70-1009-05	SCREW TERMINAL BOARD		
J6		*	E70-1010-05	LOCK TERMINAL BOARD		
J11 ,12			E63-1380-05	PIN JACK		
J21 ,22			E63-1380-05	PIN JACK		
J501		*	E11-0993-05	PHONE JACK (WITH SW LF)		
E501			J11-0898-05	WIRE CLAMPER	X5E4E5	
L1 -6		*	L39-1631-05	PHASE COMPENSATION COIL		
R61 ,62			RS14KB3A821J	FL-PROOF RS 820 J 1W		
R81 -84			RD14NB2E221J	RD 220 J 1/4W		
R85 ,86			RD14NB2E562J	RD 5.6K J 1/4W		
R87 ,88			RD14NB2E331J	RD 330 J 1/4W		
R93 -96			RD14NB2E470J	RD 47 J 1/4W		
R97 ,98			RD14NB2E221J	RD 220 J 1/4W		
R99 ,100			RD14NB2E330J	RD 33 J 1/4W		
R101,102			RS14KB3D4R7J	FL-PROOF RS 4.7 J 2W		
R103,104			RS14KB3D391J	FL-PROOF RS 390 J 2W		
R131-134			RD14NB2E221J	RD 220 J 1/4W		
R135,136			RD14NB2E562J	RD 5.6K J 1/4W		
R137,138			RD14NB2E331J	RD 330 J 1/4W		
R143-146			RD14NB2E470J	RD 47 J 1/4W		
R147,148			RD14NB2E221J	RD 220 J 1/4W		
R149,150			RD14NB2E330J	RD 33 J 1/4W		
R151,152			RS14KB3D4R7J	FL-PROOF RS 4.7 J 2W		
R181			RD14NB2E221J	RD 220 J 1/4W		
R183			RD14NB2E221J	RD 220 J 1/4W		
R185			RD14NB2E562J	RD 5.6K J 1/4W		
R187			RD14NB2E331J	RD 330 J 1/4W		
R193			RD14NB2E470J	RD 47 J 1/4W		
R195			RD14NB2E470J	RD 47 J 1/4W		
R197,198			RD14NB2E221J	RD 220 J 1/4W		
R199,200			RD14NB2E330J	RD 33 J 1/4W		

L : Scandinavia Y : PX(Far East,Hawaii) Y : AAFES(Europe)
 K : USA T : England X : Australia
 P : Canada E : Europe Q : Russia
 R : Mexico G : Germany H : Korea
 C : China V : China(Shanghai) M : Other Areas
 I : Malaysia
 A indicates safety critical components.

KRF-V7090D/VR-9050/9060/9070
PARTS LIST

* New Parts
Parts without **Parts No.** are not supplied.
Les articles non mentionnés dans le **Parts No.** ne sont pas fournis.
Teile ohne **Parts No.** werden nicht geliefert.

13

Ref. No	Add-ress	New Parts	Parts No.	Description	Desti-nation	Re-marks
R201,202			RS14KB3D4R7J	FL-PROOF RS 4.7 J 2W		
Δ R303			RD14NB2E561J	RD 560 J 1/4W		
R304			RS14KB3A822J	FL-PROOF RS 8.2K J 1W		
Δ R306			RD14NB2E101J	RD 100 J 1/4W		
Δ R307			RD14NB2E822J	RD 8.2K J 1/4W		
R310			RS14KB3A390J	FL-PROOF RS 39 J 1W		
R311			RS14KB3A680J	FL-PROOF RS 68 J 1W		
R314			RS14KB3A681J	FL-PROOF RS 680 J 1W		
R317			RS14KB3D152J	FL-PROOF RS 1.5K J 2W		
R318			RS14KB3D222J	FL-PROOF RS 2.2K J 2W		
Δ R321,322			RD14NB2E1R0J	RD 1 J 1/4W		
Δ R325,326			RD14NB2E472J	RD 4.7K J 1/4W		
R331-333			RS14KB3D182J	FL-PROOF RS 1.8K J 2W		
R342			RS14KB3A100J	FL-PROOF RS 10 J 1W		
R343			RS14KB3A470J	FL-PROOF RS 47 J 1W		
R454			RS14KB3A391J	FL-PROOF RS 390 J 1W		
Δ R476			RD14NB2E561J	RD 560 J 1/4W		
R627			RD14NB2E472J	RD 4.7K J 1/4W		
R733			RD14NB2E470J	RD 47 J 1/4W		
R735			RD14NB2E470J	RD 47 J 1/4W		
VR1 -6			R32-0118-05	SEMI FIXED VARIABLE RESISTOR		
K2 -5			S76-0098-05	MAGNETIC RELAY		
D1 -5			1SS133	DIODE		
D6			1SS133	DIODE	X5E4E5	
D7			MTZJ5.1(B)	ZENER DIODE	X5E4E5	
D8			MTZJ3.9(B)	ZENER DIODE	X5E4E5	
Δ D12		*	D5SBA20-7000	DIODE	X5E4E5	
Δ D12			D5SBA20-7003	DIODE	K4K5P4	
Δ D12			D5SBA20-7003	DIODE	P5	
Δ D14 ,15			S5688B	DIODE	6789	
D16			1SS133	DIODE		
D17			MTZJ16(B)	ZENER DIODE		
D18			MTZJ15(B)	ZENER DIODE		
D19			MTZJ16(B)	ZENER DIODE		
D20			MTZJ6.2(B)	ZENER DIODE		
D21			MTZJ6.8(B)	ZENER DIODE		
D22			MTZJ5.1(B)	ZENER DIODE		
D23			MTZJ13(B)	ZENER DIODE	X5	
D23			MTZJ15(B)	ZENER DIODE	K4K5P4	
D23			MTZJ15(B)	ZENER DIODE	P5	
D23			MTZJ15(B)	ZENER DIODE	6789	
D23			MTZJ7.5(B)	ZENER DIODE	E4E5	
D24			MTZJ7.5(B)	ZENER DIODE	X5	
D24			MTZJ8.2(B)	ZENER DIODE	K4K5P4	
D24			MTZJ8.2(B)	ZENER DIODE	P5E4E5	
D24			MTZJ8.2(B)	ZENER DIODE	6789	
D25			MTZJ30(B)	ZENER DIODE		
D26			MTZJ3.9(B)	ZENER DIODE	E4E5	
D27			1SS244	DIODE		
D28 ,29			1SS133	DIODE		
D32 -35			1SS133	DIODE		
D51 ,52			1SS244	DIODE		

L : Scandinavia K : USA P : Canada R : Mexico C : China I : Malaysia
Y : PX(Far East,Hawaii) T : England E : Europe G : Germany V : China(Shanghai)
Y : AAFES(Europe) X : Australia Q : Russia H : Korea M : Other Areas Δ indicates safety critical components .

* New Parts
Parts without **Parts No.** are not supplied.
Les articles non mentionnés dans le **Parts No.** ne sont pas fournis.
Teile ohne **Parts No.** werden nicht geliefert.

14

Ref. No	Add-ress	New Parts	Parts No.	Description	Desti-nation	Re-marks
D53 ,54			1SS133	DIODE		
D55 ,56			1SS244	DIODE		
D57 ,58			1SS133	DIODE		
D59 ,60			1SS244	DIODE		
D61 ,62			1SS133	DIODE		
D63			MTZJ3.9(B)	ZENER DIODE		
D64			1SS133	DIODE		
D65			MTZJ3.9(B)	ZENER DIODE		
D66			1SS133	DIODE		
D67			MTZJ3.9(B)	ZENER DIODE		
D68			1SS133	DIODE		
D69			MTZJ3.9(B)	ZENER DIODE		
D602-604			1SS133	DIODE		
D608			MTZJ30(B)	ZENER DIODE		
D609			MTZJ20(B)	ZENER DIODE		
IC1		*	NJM4580L-ZB	ANALOGUE IC		
IC2			M61516FP-RF0G	ANALOGUE IC		
Q1 -4			2SA992(F,E)	TRANSISTOR		
Q5 ,6			2SA1123(R,S)	TRANSISTOR		
Q7 -10			2SC2631(R,S)	TRANSISTOR		
Q21 -24			2SA992(F,E)	TRANSISTOR		
Q25 ,26			2SA1123(R,S)	TRANSISTOR		
Q27 -30			2SC2631(R,S)	TRANSISTOR		
Q41			2SA992(F,E)	TRANSISTOR		
Q43			2SA992(F,E)	TRANSISTOR		
Q45			2SA1123(R,S)	TRANSISTOR		
Q47			2SC2631(R,S)	TRANSISTOR		
Q49			2SC2631(R,S)	TRANSISTOR		
Q302			DTC113ZSA	DIGITAL TRANSISTOR		
Δ Q303			2SC3940A(R,S)	TRANSISTOR		
Δ Q304			2SB1640	TRANSISTOR		
Δ Q305		*	DTC143ZSA	DIGITAL TRANSISTOR		
Δ Q306			2SB1640	TRANSISTOR		
Q307			2SD2525	TRANSISTOR		
Q308			2SA992(F,E)	TRANSISTOR		
Q309-312			KTC3200	TRANSISTOR		
Q313		*	DTC143ZSA	DIGITAL TRANSISTOR	E4E5	
Q331-335			2SC2878(B)-F	TRANSISTOR		
Q353-358			2SC1845(F,E)	TRANSISTOR		
Q359			2SA992(F,E)	TRANSISTOR		
Q360,361			2SC1845(F,E)	TRANSISTOR		
Q362			2SA992(F,E)	TRANSISTOR		
Q363,364			2SC1845(F,E)	TRANSISTOR		
Q365			2SA992(F,E)	TRANSISTOR		
Q602-604			2SC1845(F,E)	TRANSISTOR		
Q605,606			2SC2878(B)-F	TRANSISTOR		
Q607			2SA992(F,E)	TRANSISTOR		
Q610			2SD2012	TRANSISTOR		
Δ Q611			KTC3199(Y,GR)	TRANSISTOR	X5E4E5	
Q612			KTA1267(Y,GR)	TRANSISTOR	X5E4E5	
SUB (X13-7960-10)						
C101-106			CC45FCH1H100D	CERAMIC	10PF	D
C107,108			CC45FSL1H820J	CERAMIC	82PF	J
C109			CC45FCH1H100D	CERAMIC	10PF	D
C110-115			CD04BJ1H010M	ELECTRO	1.0UF	50WV

L : Scandinavia K : USA P : Canada R : Mexico C : China I : Malaysia
Y : PX(Far East,Hawaii) T : England E : Europe G : Germany V : China(Shanghai)
Y : AAFES(Europe) X : Australia Q : Russia H : Korea M : Other Areas Δ indicates safety critical components .

PARTS LIST

KRF-V7090D/VR-9050/9060/9070

* New Parts

Parts without **Parts No.** are not supplied.

Les articles non mentionnés dans le **Parts No.** ne sont pas fournis.

Teile ohne **Parts No.** werden nicht geliefert.

15

Ref. No	Add-ress	New Parts	Parts No.	Description	Desti-nation	Re-marks
C116-118			CD04BJ1A471M	ELECTRO 470UF 10WV		
C119-126			CK45FF1H103Z	CERAMIC 0.010UF Z		
C127			CD04BJ1V330M	ELECTRO 33UF 35WV		
C128,129			CC45FCH1H100D	CERAMIC 10PF D	6789	
C128,129			CC45FSL1H820J	CERAMIC 82PF J	45	
C130			CC45FCH1H100D	CERAMIC 10PF D		
C131-133			CD04BJ1H010M	ELECTRO 1.0UF 50WV	6789	
C134-136			CK45FF1H103Z	CERAMIC 0.010UF Z	6789	
C137			CD04BJ1E470M	ELECTRO 47UF 25WV		
C138-140			CQ93FMG1H104J	MYLAR 0.10UF J		
C141			CC45FCH1H100D	CERAMIC 10PF D		
C142			CD04BJ1H100M	ELECTRO 10UF 50WV		
C143-145			CK73GB1H104K	CHIP C 0.10UF K	4567	
C151,152			CD04BJ1H4R7M	ELECTRO 4.7UF 50WV		
C153,154			CD04BJ1E470M	ELECTRO 47UF 25WV		
C155,156			CC45FSL1H820J	CERAMIC 82PF J		
C157,158			CD04BJ1H220M	ELECTRO 22UF 50WV		
C169			CK73GB1H331K	CHIP C 330PF K		
C201			CD04BJ1H100M	ELECTRO 10UF 50WV	89	
C202			CK45FF1H103Z	CERAMIC 0.010UF Z	89	
C203			CQ93FMG1H683J	MYLAR 0.068UF J	89	
C205,206			CK45FF1H103Z	CERAMIC 0.010UF Z	89	
C207			CD04BJ1A101M	ELECTRO 100UF 10WV	89	
C208			CD04BJ1A221M	ELECTRO 220UF 10WV	89	
C209			CK45FF1H103Z	CERAMIC 0.010UF Z	89	
C210			CC45FSL1H221J	CERAMIC 220PF J	89	
C211-213			CC45FSL1H101J	CERAMIC 100PF J	89	
C214,215			CK45FF1H103Z	CERAMIC 0.010UF Z	89	
C216			CD04BJ1H010M	ELECTRO 1.0UF 50WV	89	
C301-309			CC45FSL1H221J	CERAMIC 220PF J	89	
C310			CC45FSL1H221J	CERAMIC 220PF J		
C311-313			CK45FB1H332K	CERAMIC 3300PF K		
C315-317			CC45FSL1H101J	CERAMIC 100PF J		
C401-406			CD04BJ1H220M	ELECTRO 22UF 50WV		
C407,408			CK45FB1H471K	CERAMIC 470PF K		
C409,410			CC73GCH1H471J	CHIP C 470PF J		
C411,412			CK45FB1H471K	CERAMIC 470PF K		
C419			CD04BJ1E221M	ELECTRO 220UF 25WV		
C420			CD04BJ1E101M	ELECTRO 100UF 25WV		
C425,426			CC45FSL1H101J	CERAMIC 100PF J		
C427,428			CC73GCH1H100D	CHIP C 10PF D		
C429,430			CC45FCH1H100D	CERAMIC 10PF D		
C431-436			CD04BJ1E470M	ELECTRO 47UF 25WV	89	
C437,438			CD04AU1E220M	NP ELEC 22UF 25WV	89	
C439			CD04BJ1E470M	ELECTRO 47UF 25WV	89	
C440			CD04BJ1H100M	ELECTRO 10UF 50WV		
C441,442			CD04BJ1A101M	ELECTRO 100UF 10WV		
C443-446			CD04BJ1H220M	ELECTRO 22UF 50WV		
C447			CD04BJ1H100M	ELECTRO 10UF 50WV	89	
C448		*	CD04BJ2A3R3M	ELECTRO 3.3UF 100WV	89	
C449,450			CD04BJ1H220M	ELECTRO 22UF 50WV		
C451			CD04BJ1E221M	ELECTRO 220UF 25WV		
C452			CD04BJ1H220M	ELECTRO 22UF 50WV		
C453,454			CK45FB1H471K	CERAMIC 470PF K		
C455			CD04AU1E220M	NP ELEC 22UF 25WV		

L : Scandinavia K : USA P : Canada R : Mexico C : China I : Malaysia
 Y : PX(Far East,Hawaii) T : England E : Europe G : Germany V : China(Shanghai)
 Y : AAFES(Europe) X : Australia Q : Russia H : Korea M : Other Areas Δ indicates safety critical components .

* New Parts

Parts without **Parts No.** are not supplied.

Les articles non mentionnés dans le **Parts No.** ne sont pas fournis.

Teile ohne **Parts No.** werden nicht geliefert.

16

Ref. No	Add-ress	New Parts	Parts No.	Description	Desti-nation	Re-marks
C457			CQ93FMG1H392J	MYLAR 3900PF J		
C458			CC45FCH1H100D	CERAMIC 10PF D		
C459			CC73GCH1H470J	CHIP C 47PF J		
C460,461			CC73GCH1H101J	CHIP C 100PF J		
C463,464			CD04BJ1E470M	ELECTRO 47UF 25WV	89	
C536			CK73GB1H182K	CHIP C 1800PF K	6789	
C538			CK73GB1H102K	CHIP C 1000PF K	6789	
C540			CD04BJ1H220M	ELECTRO 22UF 50WV	6789	
C544,545			CK73GB1H103K	CHIP C 0.010UF K	6789	
C600			CD04BJ1H100M	ELECTRO 10UF 50WV	6789	
C601-606			CC45FSL1H470J	CERAMIC 47PF J	89	
C607			CC45FSL1H470J	CERAMIC 47PF J		
C608-611			CD04BJ1E470M	ELECTRO 47UF 25WV		
C612			CD04BJ1A101M	ELECTRO 100UF 10WV	6789	
C613-615			CD04BJ1V330M	ELECTRO 33UF 35WV	6789	
C616			CD04BJ1E470M	ELECTRO 47UF 25WV	6789	
C617			CK73GB1H103K	CHIP C 0.010UF K	6789	
C618			CD04BJ1H100M	ELECTRO 10UF 50WV	6789	
C619			CD04BJ1V330M	ELECTRO 33UF 35WV	6789	
C620			CD04BJ1H100M	ELECTRO 10UF 50WV	6789	
C621			CK73GB1H104K	CHIP C 0.10UF K	6789	
C622			CD04BJ1V330M	ELECTRO 33UF 35WV	6789	
C625			CD04BJ1H0R1M	ELECTRO 0.1UF 50WV	6789	
C626,627			CK73FB1C105K	CHIP C 1.0UF K	6789	
C651-662			CC45FSL1H470J	CERAMIC 47PF J	6789	
C663			CK45FF1H103Z	CERAMIC 0.010UF Z		
C664			CD04BJ1E470M	ELECTRO 47UF 25WV		
C665			CK45FF1H103Z	CERAMIC 0.010UF Z		
C666			CD04BJ1E470M	ELECTRO 47UF 25WV		
C667			CK45FF1H103Z	CERAMIC 0.010UF Z		
C668			CD04BJ1E470M	ELECTRO 47UF 25WV		
C669			CK45FF1H103Z	CERAMIC 0.010UF Z		
C670,671			CD04BJ1E470M	ELECTRO 47UF 25WV		
C672			CK45FF1H103Z	CERAMIC 0.010UF Z		
C673			CD04BJ1E470M	ELECTRO 47UF 25WV		
C674-677			CD04BJ1H100M	ELECTRO 10UF 50WV	6789	
C681			CD04BJ1A471M	ELECTRO 470UF 10WV	6789	
C682			CK73GB1H104K	CHIP C 0.10UF K		
C693			CC45FSL1H101J	CERAMIC 100PF J		
C694			CK73GB1H103K	CHIP C 0.010UF K	K4K5P4	
C694			CK73GB1H103K	CHIP C 0.010UF K	P5	
C694			CK73GB1H103K	CHIP C 0.010UF K	6789	
C699			CK73GB1H104K	CHIP C 0.10UF K	6789	
C702-705			CD04BJ1H3R3M	ELECTRO 3.3UF 50WV		
C706,707			CC45FSL1H331J	CERAMIC 330PF J		
C708,709			CK45FB1H222K	CERAMIC 2200PF K		
C710,711			CC45FCH1H050C	CERAMIC 5.0PF C		
C712			CC45FSL1H221J	CERAMIC 220PF J		
C713			CC45FSL1H101J	CERAMIC 100PF J		
C714,715			CD04BJ1A221M	ELECTRO 220UF 10WV		
C716,717			CC45FCH1H150J	CERAMIC 15PF J		
C718,719			CC45FSL1H151J	CERAMIC 150PF J		
C720			CK45FB1H102K	CERAMIC 1000PF K		
C721			CK45FB1H51K	CERAMIC 560PF K		
C722			CD04BJ1H220M	ELECTRO 22UF 50WV		

L : Scandinavia K : USA P : Canada R : Mexico C : China I : Malaysia
 Y : PX(Far East,Hawaii) T : England E : Europe G : Germany V : China(Shanghai)
 Y : AAFES(Europe) X : Australia Q : Russia H : Korea M : Other Areas Δ indicates safety critical components .

KRF-V7090D/VR-9050/9060/9070 PARTS LIST

* New Parts
Parts without **Parts No.** are not supplied.
Les articles non mentionnés dans le **Parts No.** ne sont pas fournis.
Teile ohne **Parts No.** werden nicht geliefert.

17

Ref. No	Add-ress	New Parts	Parts No.	Description	Desti-nation	Re-marks
C724,725			CC45FSL2H470J	CERAMIC 47PF J		
C728			CK45FF1H472Z	CERAMIC 4700PF Z		
C730			C91-1573-05	MP-C 0.10UF J	K4K5P4	
C730			C91-1573-05	MP-C 0.10UF J	P5	
C730			C91-1573-05	MP-C 0.10UF J	6789	
C730			C91-1577-05	MP-C 0.22UF J	X5E4E5	
C732			C91-1577-05	MP-C 0.22UF J	X5E4E5	
C733			CC45FSL1H101J	CERAMIC 100PF J		
C734			CK45FF1H103Z	CERAMIC 0.010UF Z		
CN301			E41-1435-05	FLAT CABLE CONNECTOR		
J61 ,62			E63-1384-05	PIN JACK		
J63		*	E63-1383-05	PIN JACK		
J65 -67		*	E56-0059-05	CYLINDRICAL RECEPTACLE		
J101			E63-1385-05	PIN JACK		
J102			E63-1386-05	PIN JACK	6789	
J103			E63-1386-05	PIN JACK		
J201		*	E11-0995-05	3.5D PHONE JACK(1P LF)	89	
J202		*	E11-0991-05	3.5D PHONE JACK(2P LF)	89	
J302			E63-1364-05	PIN JACK	89	
J303		*	E63-1382-05	PIN JACK	89	
J305		*	E63-1359-05	PIN JACK	4567	
J502		*	E70-1011-05	SCREW TERMINAL BOARD		
L201			L40-1011-58	SMALL FIXED INDUCTOR(100UH,K)	89	
L202			L92-0017-05	FERRITE CORE	89	
L502			L76-0018-05	DELAY LINE	6789	
L702		*	L39-1631-05	PHASE COMPENSATION COIL		
R1 -10			RK73GB2A000JK	CHIP R 0 J 1/10W	6789	
R70 -77			RK73GB2A000JK	CHIP R 0 J 1/10W	6789	
R72			RK73GB2A000JK	CHIP R 0 J 1/10W	45	
R77 -79			RK73GB2A000JK	CHIP R 0 J 1/10W	45	
R80			RK73GB2A000JK	CHIP R 0 J 1/10W		
△ R205			RD14BB2C101J	RD 100 J 1/6W	89	
R213,214			RD14NB2E471J	RD 470 J 1/4W	89	
R217			RD14NB2E471J	RD 470 J 1/4W	89	
R403,404			RK73GB2A223J	CHIP R 22K J 1/10W		
R409,410			RK73GB2A622J	CHIP R 6.2K J 1/10W	89	
R415,416			RK73GB2A473J	CHIP R 47K J 1/10W		
R421,422			RK73GB2A220J	CHIP R 22 J 1/10W		
△ R425			RD14NB2E561J	RD 560 J 1/4W		
R426,427			RK73GB2A102J	CHIP R 1.0K J 1/10W	89	
R428			RK73GB2A102J	CHIP R 1.0K J 1/10W		
R429			RK73GB2A103J	CHIP R 10K J 1/10W		
R430,431			RK73GB2A103J	CHIP R 10K J 1/10W	89	
R432			RK73GB2A102J	CHIP R 1.0K J 1/10W	89	
R434			RD14NB2E150J	RD 15 J 1/4W		
R443,444			RK73GB2A183J	CHIP R 18K J 1/10W		
△ R450			RD14NB2E561J	RD 560 J 1/4W	89	
R451			RD14NB2E102J	RD 1.0K J 1/4W	89	
R452			RD14NB2E150J	RD 15 J 1/4W		
R466,467			RK73GB2A100J	CHIP R 10 J 1/10W		
R529			RK73GB2A103J	CHIP R 10K J 1/10W	6789	
R530			RK73GB2A223J	CHIP R 22K J 1/10W	6789	
R532			RK73GB2A332J	CHIP R 3.3K J 1/10W	6789	
R534			RK73GB2A562J	CHIP R 5.6K J 1/10W	6789	

L: Scandinavia K: USA P: Canada R: Mexico C: China I: Malaysia
Y: PX(Far East,Hawaii) T: England E: Europe G: Germany V: China(Shanghai)
Y: AAFES(Europe) X: Australia Q: Russia H: Korea M: Other Areas △ indicates safety critical components.

* New Parts
Parts without **Parts No.** are not supplied.
Les articles non mentionnés dans le **Parts No.** ne sont pas fournis.
Teile ohne **Parts No.** werden nicht geliefert.

18

Ref. No	Add-ress	New Parts	Parts No.	Description	Desti-nation	Re-marks
R536			RK73GB2A103J	CHIP R 10K J 1/10W	6789	
R539			RK73GB2A223J	CHIP R 22K J 1/10W	6789	
R540			RK73GB2A103J	CHIP R 10K J 1/10W	6789	
R542			RK73GB2A104J	CHIP R 100K J 1/10W	6789	
R545			RK73GB2A101J	CHIP R 100 J 1/10W	6789	
R546			RK73GB2A474J	CHIP R 470K J 1/10W	6789	
R549			RK73GB2A183J	CHIP R 18K J 1/10W	6789	
R550			RK73GB2A103J	CHIP R 10K J 1/10W	6789	
R552			RK73GB2A363J	CHIP R 36K J 1/10W	6789	
R554			RK73GB2A103J	CHIP R 10K J 1/10W	6789	
R556			RK73GB2A472J	CHIP R 4.7K J 1/10W	6789	
R561,562			RK73GB2A104J	CHIP R 100K J 1/10W	6789	
R563,564			RK73GB2A102J	CHIP R 1.0K J 1/10W	6789	
R600			RK73GB2A101J	CHIP R 100 J 1/10W	6789	
R611,612			RK73GB2A101J	CHIP R 100 J 1/10W	6789	
R613			RK73GB2A105J	CHIP R 1.0M J 1/10W	6789	
R617			RS14KB3A150J	FL-PROOF RS 15 J 1W		
R621-623			RK73GB2A104J	CHIP R 100K J 1/10W	6789	
R624			RS14KB3A150J	FL-PROOF RS 15 J 1W		
R667			RK73GB2A104J	CHIP R 100K J 1/10W		
△ R671			RS14KB3A150J	FL-PROOF RS 15 J 1W		
△ R674			RS14KB3A470J	FL-PROOF RS 47 J 1W		
R695			RK73GB2A101J	CHIP R 100 J 1/10W	6789	
R699			RK73GB2A105J	CHIP R 1.0M J 1/10W	6789	
R723,724			RD14NB2E221J	RD 220 J 1/4W		
R725,726			RD14NB2E562J	RD 5.6K J 1/4W		
R727,728			RD14NB2E331J	RD 330 J 1/4W		
R729,730			RD14NB2E221J	RD 220 J 1/4W		
R746			RD14NB2E330J	RD 33 J 1/4W		
R748			RS14KB3D4R7J	FL-PROOF RS 4.7 J 2W		
R752			RS14KB3D182J	FL-PROOF RS 1.8K J 2W		
R756			RD14NB2E470J	RD 47 J 1/4W		
R758			RD14NB2E470J	RD 47 J 1/4W		
R760			RD14NB2E221J	RD 220 J 1/4W		
VR702			R32-0118-05	SEMI FIXED VARIABLE RESISTOR		
K702			S76-0098-05	MAGNETIC RELAY		
D101			MTZJ10(B)	ZENER DIODE		
D155-157			MTZJ7.5(B)	ZENER DIODE		
△ D201-206			1SS133	DIODE	89	
D401			MTZJ3.9(B)	ZENER DIODE		
D402			MTZJ5.1(B)	ZENER DIODE	89	
D503			DA204U	DIODE	6789	
D652			1SS133	DIODE		
D655,656			MTZJ5.6(B)	ZENER DIODE		
D701-704			1SS133	DIODE		
D706			1SS244	DIODE		
D708			1SS133	DIODE		
D710			1SS133	DIODE		
IC3			BU4066BC	ANALOGUE IC		
IC6		*	RC4580IP	ANALOGUE IC		
IC11			NJM2585M	ANALOGUE IC		
IC65		*	LA79510M-E	ANALOGUE IC		
IC66			NJM2284V	ANALOGUE IC	6789	
IC68,69			NJM2575	ANALOGUE IC	6789	

L: Scandinavia K: USA P: Canada R: Mexico C: China I: Malaysia
Y: PX(Far East,Hawaii) T: England E: Europe G: Germany V: China(Shanghai)
Y: AAFES(Europe) X: Australia Q: Russia H: Korea M: Other Areas △ indicates safety critical components.

* New Parts

Parts without **Parts No.** are not supplied.

Les articles non mentionnés dans le **Parts No.** ne sont pas fournis.

Teile ohne **Parts No.** werden nicht geliefert.

19

* New Parts

Parts without **Parts No.** are not supplied.

Les articles non mentionnés dans le **Parts No.** ne sont pas fournis.

Teile ohne **Parts No.** werden nicht geliefert.

20

Ref. No	Add-ress	New Parts	Parts No.	Description	Desti-nation	Re-marks
Δ IC201		*	BA05T	ANALOGUE IC	89	
IC401-404			RC4580IP	ANALOGUE IC		
IC507			BA4560F	ANALOGUE IC	6789	
IC508			BA7623F	ANALOGUE IC	6789	
Δ Q65			2SD2525	TRANSISTOR		
Δ Q66			2SB1640	TRANSISTOR		
Q101			2SC2003(L,K)	TRANSISTOR		
Q158,159			KRC103M	DIGITAL TRANSISTOR		
Q201			KRC103M	DIGITAL TRANSISTOR	89	
Q202,203			2SC1740S(Q,R)	TRANSISTOR	89	
Q204			2SA933AS(Q,R)	TRANSISTOR	89	
Q301-309			2SC2878(B)-F	TRANSISTOR	89	
Q310			2SC2878(B)-F	TRANSISTOR		
Q311-319			2SC2878(B)-F	TRANSISTOR	89	
Q320			2SC2878(B)-F	TRANSISTOR		
Q401,402			DTA124EUA	DIGITAL TRANSISTOR	89	
Q403-408			2SC2878(B)-F	TRANSISTOR	89	
Q409			KRA103M	DIGITAL TRANSISTOR	89	
Q410			DTA124EUA	DIGITAL TRANSISTOR		
Q411,412			2SC2878(B)-F	TRANSISTOR	89	
Q501,502			2SC4213(B)	TRANSISTOR	6789	
Q512			2SC4081(R,S)	TRANSISTOR	6789	
Q701,702			2SC2878(B)-F	TRANSISTOR		
Q703-706			2SA992(F,E)	TRANSISTOR		
Q707,708			2SC2631(R,S)	TRANSISTOR		
Q709,710			2SA1123(R,S)	TRANSISTOR		
Q711,712			2SC2631(R,S)	TRANSISTOR		
Q714			2SC1845(F,E)	TRANSISTOR		
Q716			KTC3200	TRANSISTOR		
DISPLAY (X14-7900-10)						
D734			B30-2545-05	LED(RED3(160))		
D741-745			B30-2545-05	LED(RED3(160))	K4K5P4	
D741-745			B30-2545-05	LED(RED3(160))	P5X5	
D741-745			B30-2545-05	LED(RED3(160))	6789	
D741-752			B30-2651-05	LED(RED,D3,40DEG,)	E4E5	
D746-752			B30-2651-05	LED(RED,D3,40DEG,)	K4K5P4	
D746-752			B30-2651-05	LED(RED,D3,40DEG,)	P5X5	
D753			B30-2545-05	LED(RED3(160))		
D754			B30-2651-05	LED(RED,D3,40DEG,)	K4K5P4	
D754			B30-2651-05	LED(RED,D3,40DEG,)	P5X5	
D754,755			B30-2651-05	LED(RED,D3,40DEG,)	E4E5	
D755			B30-2545-05	LED(RED3(160))	K4K5P4	
D755			B30-2545-05	LED(RED3(160))	P5X5	
D755			B30-2545-05	LED(RED3(160))	6789	
C101			CC45FCH1H101J	CERAMIC	100PF	J
C103			CK73GB1H103K	CHIP C	0.010UF	J
C104			CC73GCH1H101J	CHIP C	100PF	K
C105			CC45FCH1H101J	CERAMIC	100PF	J
C401			CK45FE2H103P	CERAMIC	0.010UF	P
C402			CD04BJ1E222M	ELECTRO	2200UF	25WV
C403			CD04BJ1E102M	ELECTRO	1000UF	25WV
C404-407			CK73GB1H103K	CHIP C	0.010UF	K
C408,409			CD04BJ1E470M	ELECTRO	47UF	25WV
C410			CC73GCH1H680J	CHIP C	68PF	J

L: Scandinavia K: USA P: Canada R: Mexico C: China I: Malaysia
 Y: PX(Far East,Hawaii) T: England E: Europe G: Germany V: China(Shanghai)
 Y: AAFES(Europe) X: Australia Q: Russia H: Korea M: Other Areas Δ indicates safety critical components.

Ref. No	Add-ress	New Parts	Parts No.	Description	Desti-nation	Re-marks
C411			CC73GCH1H820J	CHIP C	82PF	J
C451			CK45FF1H103Z	CERAMIC	0.010UF	Z
C452			CQ93FMG1H104J	MYLAR	0.10UF	J
C452			CQ93FMG1H104J	MYLAR	0.10UF	J
C452			CQ93FMG1H104J	MYLAR	0.10UF	J
C452			CQ93FMG1H393J	MYLAR	0.039UF	J
C452			CQ93FMG1H473J	MYLAR	0.047UF	J
C453		*	CD04BJ1C332M	ELECTRO	3300UF	16WV
C453		*	CD04BJ1C332M	ELECTRO	3300UF	16WV
C453		*	CD04BJ1C332M	ELECTRO	3300UF	16WV
C453			CD04BJ1E332M	ELECTRO	3300UF	25WV
C454			CD04BJ1H100M	ELECTRO	10UF	50WV
C456,457			CK45FF1H103Z	CERAMIC	0.010UF	Z
C458			CD04BJ1H100M	ELECTRO	10UF	50WV
C459			CD04BJ1H010M	ELECTRO	1.0UF	50WV
C501-504			CC73GCH1H101J	CHIP C	100PF	J
C505,506			CK73GB1H102K	CHIP C	1000PF	K
C507,508			CC73GCH1H101J	CHIP C	100PF	J
C509			CC73GCH1H471J	CHIP C	470PF	J
C510,511			CC73GCH1H101J	CHIP C	100PF	J
C536			CK73GB1H182K	CHIP C	1800PF	K
C538			CK73GB1H102K	CHIP C	1000PF	K
C540			CD04BJ1H220M	ELECTRO	22UF	50WV
C544,545			CK73GB1H103K	CHIP C	0.010UF	K
C550			CK73GB1A105K	CHIP C	1.0UF	K
C701			CC73GCH1H221J	CHIP C	220PF	J
C702			CD04BJ1H101M	ELECTRO	100UF	50WV
C703,704			CK73GB1H102K	CHIP C	1000PF	K
C705			CC73GCH1H181J	CHIP C	180PF	J
C741			CK73EB1E105K	CHIP C	1.0UF	K
C761-766			CK73GB1H103K	CHIP C	0.010UF	K
C777			CK45FB1H102K	CERAMIC	1000PF	K
C778			CC45FCH1H101J	CERAMIC	100PF	J
C779			CD04BJ1A101M	ELECTRO	100UF	10WV
C780			CC73GCH1H270J	CHIP C	27PF	J
C791			CD04AT0J470M	ELECTRO	47UF	6.3WV
C792			CD04BJ1H220M	ELECTRO	22UF	50WV
C793,794			CK45FF1H103Z	CERAMIC	0.010UF	Z
C811			CK45FF1H103Z	CERAMIC	0.010UF	Z
C812,813			CC45FCH1H270J	CERAMIC	27PF	J
C814			CC45FCH1H101J	CERAMIC	100PF	J
C815			CD04BJ1E470M	ELECTRO	47UF	25WV
C816			CK45FB1H561K	CERAMIC	560PF	K
C817			CK45FF1H103Z	CERAMIC	0.010UF	Z
C818			CC73GCH1H271J	CHIP C	270PF	J
C819			CD04BJ1H2R2M	ELECTRO	2.2UF	50WV
C841			CD04BJ0J102M	ELECTRO	1000UF	6.3WV
C841			CD04BJ0J102M	ELECTRO	1000UF	6.3WV
C841			CD04BJ0J102M	ELECTRO	1000UF	6.3WV
C842			C90-5647-05	ELECTRO	0.047F	5.5WV
C843			CD04BJ1H010M	ELECTRO	1.0UF	50WV
C844			CK45FF1H103Z	CERAMIC	0.010UF	Z
C845			CK73GB1H103K	CHIP C	0.010UF	K
C851			CD04BJ1H100M	ELECTRO	10UF	50WV
C852			CC45FSL1H221J	CERAMIC	220PF	J

L: Scandinavia K: USA P: Canada R: Mexico C: China I: Malaysia
 Y: PX(Far East,Hawaii) T: England E: Europe G: Germany V: China(Shanghai)
 Y: AAFES(Europe) X: Australia Q: Russia H: Korea M: Other Areas Δ indicates safety critical components.

KRF-V7090D/VR-9050/9060/9070
PARTS LIST

* New Parts

Parts without **Parts No.** are not supplied.Les articles non mentionnés dans le **Parts No.** ne sont pas fournis.Teile ohne **Parts No.** werden nicht geliefert.

21

Ref. No	Add-ress	New Parts	Parts No.	Description	Desti-nation	Re-marks
C853-855			CC73GCH1H221J	CHIP C 220PF J		
C856,857			CK45FF1H103Z	CERAMIC 0.010UF Z		
C858			CD04BJ1A101M	ELECTRO 100UF 10WV		
C907			CK73GB1H103K	CHIP C 0.010UF K		
C908			CK45FF1H103Z	CERAMIC 0.010UF Z		
CN41			E41-0942-05	PIN ASSY		
CN45			E41-0969-05	PIN ASSY		
CN47			E41-0969-05	PIN ASSY		
CN49			E41-0927-05	PIN ASSY		
CN50			E41-1570-05	PIN ASSY		
CN70			E41-0942-05	PIN ASSY		
CN80			E41-0942-05	PIN ASSY		
CN90			E41-0928-05	PIN ASSY		
Δ J2		*	E03-0515-05	AC OUTLET	K4K5P4	
Δ J2		*	E03-0515-05	AC OUTLET	P5	
Δ J2		*	E03-0515-05	AC OUTLET	6789	
Δ J3		*	E03-0398-05	AC OUTLET	E4E5	
Δ J5		*	E03-0325-05	AC OUTLET	X5	
Δ J20		*	E63-1388-05	PIN JACK		
Δ J21		*	E56-0060-05	CYLINDRICAL RECEPTACLE		
Δ F1			F05-4025-05	FUSE (SEMKO) (250V T4A L)	X5E4E5	
Δ F1			F50-0078-05	FUSE(5X20)	K4K5P4	
Δ F1			F50-0078-05	FUSE(5X20)	P5	
Δ F1			F50-0078-05	FUSE(5X20)	6789	
Δ F2			F06-1022-05	FUSE (SEMKO) (250V T1AL)	X5E4E5	
CN11,12			J13-0075-05	FUSE CLIP		
CN21,22			J13-0075-05	FUSE CLIP	X5E4E5	
E702,703			J11-0898-05	WIRE CLAMPER		
Δ T1			L07-2758-05	POWER TRANSFORMER	X5	
Δ T1			L07-2761-05	POWER TRANSFORMER	E4E5	
Δ T1			L07-2809-05	POWER TRANSFORMER	K4K5P4	
Δ T1			L07-2809-05	POWER TRANSFORMER	P5	
Δ T1			L07-2809-05	POWER TRANSFORMER	6789	
X701			L78-0725-05	RESONATOR (8.38MHZ)		
X811			L77-2002-05	CRYSTAL RESONATOR(4.332MHZ)	X5E4E5	
R1 ,2			RK73GB2A000JK	CHIP R 0 J 1/10W		
R11 ,12			RK73EB2E000JK	CHIP R 0 J 1/4W		
R51			RK73GB2A000JK	CHIP R 0 J 1/10W		
R120			RK73GB2A102J	CHIP R 1.0K J 1/10W		
Δ R410			RS14KB3D181J	FL-PROOF RS 180 J 2W		
Δ R453			RD14NB2E1R0J	RD 1 J 1/4W		
Δ R454			RD14NB2E270J	RD 27 J 1/4W		
Δ R457			R92-1844-05	CARBON 3.3M J 1/2W	K4K5P4	
Δ R457			R92-1844-05	CARBON 3.3M J 1/2W	P5	
Δ R457			R92-1844-05	CARBON 3.3M J 1/2W	6789	
R501,502			RK73GB2A101J	CHIP R 100 J 1/10W		
R503,504			RK73GB2A104J	CHIP R 100K J 1/10W		
R505			RK73GB2A750J	CHIP R 75 J 1/10W		
R506			RK73GB2A101J	CHIP R 100 J 1/10W		
R507,508			RK73GB2A750J	CHIP R 75 J 1/10W		
R509,510			RK73GB2A101J	CHIP R 100 J 1/10W		
R530			RK73GB2A1R0J	CHIP R 1 J 1/10W		
R531-533			RK73GB2A103J	CHIP R 10K J 1/10W		
R534			RK73GB2A223J	CHIP R 22K J 1/10W		

L : Scandinavia K : USA P : Canada R : Mexico C : China I : Malaysia
 Y : PX(Far East,Hawaii) T : England E : Europe G : Germany V : China(Shanghai)
 Y : AAFES(Europe) X : Australia Q : Russia H : Korea M : Other Areas Δ indicates safety critical components .

* New Parts

Parts without **Parts No.** are not supplied.Les articles non mentionnés dans le **Parts No.** ne sont pas fournis.Teile ohne **Parts No.** werden nicht geliefert.

22

Ref. No	Add-ress	New Parts	Parts No.	Description	Desti-nation	Re-marks
R535			RK73GB2A562J	CHIP R 5.6K J 1/10W		
R536,537			RK73GB2A103J	CHIP R 10K J 1/10W		
R538			RK73GB2A223J	CHIP R 22K J 1/10W		
R539			RK73GB2A104J	CHIP R 100K J 1/10W		
R540			RK73GB2A101J	CHIP R 100 J 1/10W		
R541			RK73GB2A474J	CHIP R 470K J 1/10W		
R542			RK73GB2A183J	CHIP R 18K J 1/10W		
R543,544			RK73GB2A103J	CHIP R 10K J 1/10W		
R545			RK73GB2A222J	CHIP R 2.2K J 1/10W		
R776			RD14NB2E100J	RD 10 J 1/4W		
R779			RK73GB2A333J	CHIP R 33K J 1/10W		
R780			RD14NB2E100J	RD 10 J 1/4W		
R782			RK73GB2A303J	CHIP R 30K J 1/10W		
R801,802			RK73GB2A331J	CHIP R 330 J 1/10W		
R803			RK73GB2A104J	CHIP R 100K J 1/10W		
R805			RK73GB2A104J	CHIP R 100K J 1/10W		
R807,808			RK73GB2A103J	CHIP R 10K J 1/10W		
R847			RK73GB2A101J	CHIP R 100 J 1/10W		
R894			RK73GB2A101J	CHIP R 100 J 1/10W		
R896-898			RK73GB2A101J	CHIP R 100 J 1/10W		
R910,911			RK73GB2A104J	CHIP R 100K J 1/10W		
R922-924			RK73GB2A101J	CHIP R 100 J 1/10W		
R926			RK73GB2A101J	CHIP R 100 J 1/10W		
R935			RK73GB2A101J	CHIP R 100 J 1/10W		
R938,939			RK73GB2A101J	CHIP R 100 J 1/10W		
R941-945			RK73GB2A101J	CHIP R 100 J 1/10W		
R951,952			RK73GB2A104J	CHIP R 100K J 1/10W		
R954			RK73GB2A103J	CHIP R 10K J 1/10W		
R955,956			RK73GB2A101J	CHIP R 100 J 1/10W		
R967-969			RK73GB2A104J	CHIP R 100K J 1/10W		
R970			RK73GB2A153J	CHIP R 15K J 1/10W		
R971,972			RK73GB2A104J	CHIP R 100K J 1/10W		
R974,975			RK73GB2A104J	CHIP R 100K J 1/10W		
R977			RK73GB2A273J	CHIP R 27K J 1/10W		
R993			RK73GB2A101J	CHIP R 100 J 1/10W	X5E4E5	
Δ R997			RD14NB2E1R0J	RD 1 J 1/4W		
Δ K451			S76-0107-05	MAGNETIC RELAY	K4K5P4	
Δ K451			S76-0107-05	MAGNETIC RELAY	P5	
Δ K451			S76-0107-05	MAGNETIC RELAY	6789	
Δ K451			S76-0110-05	MAGNETIC RELAY	X5E4E5	
S701-708			S70-0086-05	TACT SWITCH		
S709-715			S70-0086-05	TACT SWITCH		
S716-725			S70-0086-05	TACT SWITCH	45	
S731-733			S70-0086-05	TACT SWITCH		
S761,762			T99-0663-05	ROTARY ENCODER		
S763			T99-0664-05	ROTARY ENCODER		
Δ D401			D2SBA207009F01	DIODE		
Δ D451,452			1SS133	DIODE		
Δ D453			S1ZB20(7101)	DIODE		
Δ D454			1SS133	DIODE		
Δ D455			RB721Q	DIODE		
D500			1SS302	DIODE		
D501-504			1SS133	DIODE		

L : Scandinavia K : USA P : Canada R : Mexico C : China I : Malaysia
 Y : PX(Far East,Hawaii) T : England E : Europe G : Germany V : China(Shanghai)
 Y : AAFES(Europe) X : Australia Q : Russia H : Korea M : Other Areas Δ indicates safety critical components .

PARTS LIST

KRF-V7090D/VR-9050/9060/9070

HOW TO READ THE PARTS LIST
ABBREVIATION OF MODEL AND MASS PRODUCTION'S DESTINATIONS

MODEL	ABB.	Australia	Canada	Europe	USA
		X	P	E	K
KRF-V7090D	4	-	-	E4	-
KRF-V7090D-S	5	X5	-	E5	-
VR-9050	4	-	P4	-	K4
VR-9050-S	5	-	P5	-	K5
VR-9060	6	-	P6	-	K6
VR-9060-S	7	-	P7	-	K7
VR-9070	8	-	P8	-	K8
VR-9070-S	9	-	P9	-	K9

* New Parts

Parts without **Parts No.** are not supplied.

Les articles non mentionnés dans le **Parts No.** ne sont pas fournis.

Teile ohne **Parts No.** werden nicht geliefert.

29

Ref. No	Add-ress	New Parts	Parts No.	Description	Desti-nation	Re-marks
D776			MTZJ5.1(B)	ZENER DIODE		
D791			1SS133	DIODE		
D801-806			1SS133	DIODE		
D841			RB721Q	DIODE		
D842			1SS133	DIODE		
Δ D843			RB721Q	DIODE		
D844			1SS133	DIODE		
D846			1SS133	DIODE		
D961-964			1SS133	DIODE		
ED78		*	HNA-16MM55T	FLUORESCENT INDICATOR TUBE		
Δ IC45			BA05T	ANALOGUE IC		
IC74			BU2090	ANALOGUE IC		
IC78		*	LC75711NED-E	MOS-IC		
Δ IC79			XC6202P502PR	ANALOGUE IC		
IC81			BU1924F	ANALOGUE IC	X5E4E5	
IC84			S-80840CNY-GZ	ANALOGUE IC		
IC90		*	MN101C49HYC	MICROPROCESSOR IC	89	
IC90		*	MN101C49HYD	MICROPROCESSOR IC	4567	
Δ IC401			KIA7812API-UP	ANALOGUE IC		
Δ IC402			KIA7912API-UP	ANALOGUE IC		
IC502			BA4560F	ANALOGUE IC		
Q451			2SC1740S(Q,R)	TRANSISTOR		
Q512			2SC4081(R,S)	TRANSISTOR		
Q731			DTC113ZSA	DIGITAL TRANSISTOR		
Q776			2SC1740S(Q,R)	TRANSISTOR		
Q777,778			DTC124ESA	DIGITAL TRANSISTOR		
Q841			2SC1740S(Q,R)	TRANSISTOR		
Q842			2SA933AS(Q,R)	TRANSISTOR		
Q843			DTC113ZSA	DIGITAL TRANSISTOR		
Δ TH1		*	MF-R090-99	THERMISTOR		
A791			W02-4599-05	ELECTRIC CIRCUIT MODULE		

L : Scandinavia

Y : PX(Far East,Hawaii)

Y : AAFES(Europe)

K : USA

T : England

X : Australia

P : Canada

E : Europe

Q : Russia

R : Mexico

G : Germany

H : Korea

C : China

V : China(Shanghai)

M : Other Areas

I : Malaysia

Δ indicates safety critical components.

KRF-V7090D/VR-9050/9060/9070
PARTS LIST

KRF-V7090D/VR-9050/9060/9070

SPECIFICATIONS (KRF-V7090D)

AUDIO section

Rated power output during STEREO operation	
IEC (20 Hz ~ 20 kHz, 0.09% T.H.D., at 6 Ω)	100 W + 100 W
DIN (1 kHz at 6 Ω)	120 W + 120 W
Effective power output during STEREO operation	
RMS (1 kHz, 10% T.H.D., at 6 Ω)	150 W + 150 W
Effective power output during SURROUND operation	
FRONT	
(20 Hz ~ 20 kHz, 0.09 % T.H.D., at 6 Ω one channel driven)	100 W + 100 W
(1 kHz, 0.7 % T.H.D., at 6 Ω one channel driven) ..	120 W + 120 W
(1 kHz, 10 % T.H.D., at 6 Ω one channel driven) ...	150 W + 150 W
CENTER	
(20 Hz ~ 20 kHz, 0.09 % T.H.D., at 6 Ω one channel driven)	100 W
(1 kHz, 0.7 % T.H.D., at 6 Ω one channel driven) ..	120 W
(1 kHz, 10 % T.H.D., at 6 Ω one channel driven)	150 W
SURROUND	
(20 Hz ~ 20 kHz, 0.7 % T.H.D., at 6 Ω one channel driven)	100 W + 100 W
(1 kHz, 0.7 % T.H.D., at 6 Ω one channel driven) ..	120 W + 120 W
(1 kHz, 10 % T.H.D., at 6 Ω one channel driven) ...	150 W + 150 W
SURROUND BACK	
(20 Hz ~ 20 kHz, 0.7 % T.H.D., at 6 Ω one channel driven)	100 W + 100 W
(1 kHz, 0.7 % T.H.D., at 6 Ω one channel driven) ..	120 W + 120 W
(1 kHz, 10 % T.H.D., at 6 Ω one channel driven) ...	150 W + 150 W
Total harmonic distortion	0.009 % (1 kHz, 50 W, 6 Ω)
Frequency response	
CD/DVD	10 Hz ~ 100 kHz, +0 dB ~ -3.0 dB
PHONO 'RIAA' response.....	40 Hz ~ 20 kHz, +1.5 dB ~ -3.0 dB
Maximum input level	
PHONO (MM)	40 mV, 1 % T.H.D., at 1 kHz
Signal to noise ratio (IHF'66)	
PHONO (MM)	75 dB
CD/DVD	95 dB
Input sensitivity / impedance	
PHONO (MM)	6 mV / 47 kΩ
CD/DVD, MD/TAPE, AV AUX, VIDEO 1, VIDEO 2, VIDEO 3, DVD/6CH	500 mV / 47 kΩ
Output level / impedance	
MD/TAPE REC	500 mV / 1 kΩ
PRE OUT (SUBWOOFER).....	1 V / 1 kΩ
Tone control	
BASS.....	±10 dB (at 100 Hz)
TREBLE.....	±10 dB (at 10 kHz)
Loudness control	
VOLUME at -30 dB level	+6 dB (100 Hz)

DIGITAL AUDIO section

Sampling frequency	32 kHz, 44.1 kHz, 48 kHz, 96 kHz
Input level / impedance / wave length	
Optical	(-15 dBm ~ -24 dBm), 660 nm ±30 nm
Coaxial.....	0.5 Vp-p / 75 Ω

VIDEO section

VIDEO inputs / outputs	
VIDEO (composite)	1 Vp-p / 75 Ω
S VIDEO inputs / outputs	
S VIDEO (luminance signal).....	1 Vp-p / 75 Ω
S VIDEO (chrominance signal)	0.286 Vp-p / 75 Ω
COMPONENT VIDEO inputs/ outputs	
COMPONENT VIDEO (luminance signal).....	1 Vp-p / 75 Ω
COMPONENT VIDEO (CB/CR-signal).....	0.7 Vp-p / 75 Ω

FM tuner section

Tuning frequency range.....	87.5 MHz ~ 108.0 MHz
Usable sensitivity	
MONO	1.3 μV (75 Ω) / 13.2 dBf (40 kHz dev, S/N 26 dB)
STEREO.....	45 μV (75 Ω) / 42.1 dBf (40 + 6 kHz dev, S/N 46 dB)
Total harmonic distortion	
MONO (1 kHz, 40 kHz dev)	0.2% (65.2 dBf input)
STEREO (1 kHz, 40 + 6 kHz dev)	0.8% (65.2 dBf input)
Signal to noise ratio (DIN weighted at 1 kHz)	
MONO	65 dB (65.2 dBf input)
STEREO	60 dB (65.2 dBf input)
Stereo separation (1 kHz)	36 dB
Selectivity (DIN ±300 kHz)	64 dB
Frequency response (30 Hz ~ 15 kHz).....	+0.5 dB, -3.0 dB

AM tuner section

Tuning frequency range.....	531 kHz ~ 1,602 kHz
Usable sensitivity (30% mod, S/N 20 dB)	16 μV / (600 μV/m)
Signal to noise ratio (30% mod, 400 Hz)	
.....	50 dB (60 dBμV EMF input)

GENERAL

Power consumption	300 W
Standby Power consumption	Less than 1.5 W
AC outlet	
SWITCHED.....	(total 90 W max.)
Dimensions.....	W : 440 mm (17-5/16")
	H : 159 mm (6-1/4")
	D : 392 mm (15-7/16")
Weight (Net)	11.9 kg (26.2 lb)

Notes

1. KENWOOD follows a policy of continuous advancements in development. For this reason specifications may be changed without no tice.
2. The full performance may not be exhibited in an extremely cold location (under a water-freezing temperature).

KRF-V7090D/VR-9050/9060/9070

SPECIFICATIONS (VR-9050)

AUDIO section

Rated power output during STEREO operation

100 watts per channel minimum RMS, both channels driven, at 8 Ω from 20 Hz to 20 kHz with no more than 0.09% total harmonic distortion. (FTC)

Effective power output during SURROUND operation

FRONT (20 ~ 20 kHz, 0.09 % T.H.D., at 8 Ω one channel driven)	100 W + 100 W
CENTER (20 ~ 20 kHz, 0.09 % T.H.D., at 8 Ω one channel driven)	100 W
SURROUND (20 ~ 20 kHz, 0.7 % T.H.D., at 8 Ω one channel driven)	100 W + 100 W
SURROUND BACK (20 ~ 20 kHz, 0.7 % T.H.D., at 8 Ω one channel driven)	100 W + 100 W
Total harmonic distortion	0.009 % (1 kHz, 50 W, 8 Ω)
Frequency response	
CD/DVD	10 Hz ~ 100 kHz, +0 dB ~ -3.0 dB
PHONO 'RIAA' response	40 Hz ~ 20 kHz, +1.5 dB ~ -3.0 dB
Maximum input level	
PHONO (MM)	40 mV, 1 % T.H.D., at 1 kHz
Signal to noise ratio (IHF'66)	
PHONO (MM)	75 dB
CD/DVD	95 dB
Input sensitivity / impedance	
PHONO (MM)	7 mV / 47 kΩ
CD/DVD, MD/TAPE, AV AUX, VIDEO 1, VIDEO 2, VIDEO 3, DVD/6CH	500 mV / 47 kΩ
Output level / impedance	
MD/TAPE REC	500 mV / 1 kΩ
PRE OUT (SUBWOOFER)	1 V / 1 kΩ
Tone control	
BASS	±10 dB (at 100 Hz)
TREBLE	±10 dB (at 10 kHz)
Loudness control	
VOLUME at -30 dB level	+6 dB (100 Hz)

DIGITAL AUDIO section

Sampling frequency	32 kHz, 44.1 kHz, 48 kHz, 96 kHz
Input level / impedance / wave length	
Optical	(-15 dBm ~ -24 dBm), 660 nm ±30 nm
Coaxial	0.5 Vp-p / 75 Ω

VIDEO section

VIDEO inputs / outputs	
VIDEO (composite)	1 Vp-p / 75 Ω
S VIDEO inputs / outputs	
S VIDEO (luminance signal)	1 Vp-p / 75 Ω
S VIDEO (chrominance signal)	0.286 Vp-p / 75 Ω
COMPONENT VIDEO inputs / outputs	
COMPONENT VIDEO (luminance signal)	1 Vp-p / 75 Ω
COMPONENT VIDEO (CB/CR-signal)	0.64 Vp-p / 75 Ω

FM tuner section

Tuning frequency range	87.5 MHz ~ 108.0 MHz
Usable sensitivity (MONO)	1.3 μV (75 Ω) / 13.2 dBf (75 kHz dev, SINAD 30 dB)
50 dB quieting sensitivity	
STEREO	28 μV (75 Ω) / 40.2 dBf (75 kHz dev)
Total harmonic distortion	
MONO (1 kHz, 75 kHz dev)	0.5% (65 dBf input)
STEREO (1 kHz, 67.5 + 6.75 kHz dev)	0.7% (65 dBf input)
Signal to noise ratio	
MONO (1 kHz, 75 kHz dev)	75 dB (65 dBf input)
STEREO (1 kHz, 67.5 + 6.75 kHz dev)	68 dB (65 dBf input)
Stereo separation (1 kHz)	40 dB
Selectivity (±400 kHz)	70 dB
Frequency response (30 Hz ~ 15 kHz)	+0.5 dB, -3.0 dB

AM tuner section

Tuning frequency range	530 kHz ~ 1,700 kHz
Usable sensitivity (30% mod, S/N 20 dB)	16 μV / (600 μV/m)
Signal to noise ratio (30% mod, 400 Hz)	50 dB (60 dBμV EMF input)

GENERAL

Power consumption	3.4 A
Standby Power consumption	Less than 1 W
AC outlet	
SWITCHED	(total 150 W, 1.25 A max.)
Dimensions	
W	440 mm (17-5/16")
H	159 mm (6-1/4")
D	392 mm (15-7/16")
Weight (Net)	11.7 kg (25.8 lb)

Notes

1. KENWOOD follows a policy of continuous advancements in development. For this reason specifications may be changed without notice.
2. The full performance may not be exhibited in an extremely cold location (under a water-freezing temperature).

KRF-V7090D/VR-9050/9060/9070

SPECIFICATIONS (VR-9060)

AUDIO section

Rated power output during STEREO operation

100 watts per channel minimum RMS, both channels driven, at 8 Ω from 20 Hz to 20 kHz with no more than 0.09% total harmonic distortion. (FTC)

Effective power output during SURROUND operation

FRONT (20 ~ 20 kHz, 0.09 % T.H.D., at 8 Ω one channel driven)	100 W + 100 W
CENTER (20 ~ 20 kHz, 0.09 % T.H.D., at 8 Ω one channel driven)	100 W
SURROUND (20 ~ 20 kHz, 0.7 % T.H.D., at 8 Ω one channel driven)	100 W + 100 W
SURROUND BACK (20 ~ 20 kHz, 0.7 % T.H.D., at 8 Ω one channel driven)	100 W + 100 W
Total harmonic distortion	0.009 % (1 kHz, 50 W, 8 Ω)
Frequency response	
CD/DVD	10 Hz ~ 100 kHz, +0 dB ~ -3.0 dB
PHONO 'RIAA' response	40 Hz ~ 20 kHz, +1.5 dB ~ -3.0 dB
Maximum input level	
PHONO (MM)	40 mV, 1 % T.H.D., at 1 kHz
Signal to noise ratio (IHF'66)	
PHONO (MM)	75 dB
CD/DVD	95 dB
Input sensitivity / impedance	
PHONO (MM)	7 mV / 47 k Ω
CD/DVD, MD/TAPE, AV AUX, VIDEO 1, VIDEO 2, VIDEO 3, DVD/6CH	500 mV / 47 k Ω
Output level / impedance	
TAPE REC.	500 mV / 1 k Ω
PRE OUT (SUBWOOFER)	1 V / 1 k Ω
Tone control	
BASS	± 10 dB (at 100 Hz)
TREBLE	± 10 dB (at 10 kHz)
Loudness control	
VOLUME at -30 dB level	+6 dB (100 Hz)

DIGITAL AUDIO section

Sampling frequency	32 kHz, 44.1 kHz, 48 kHz, 96 kHz
Input level / impedance / wave length	
Optical	-15 dBm ~ -24 dBm, 660 nm ± 30 nm
Coaxial	0.5 Vp-p / 75 Ω
Output level / impedance / wave length	
Optical	-21 dBm ~ -15 dBm, 660 nm ± 30 nm

VIDEO section

VIDEO inputs / outputs	
VIDEO (composite)	1 Vp-p / 75 Ω
S VIDEO inputs / outputs	
S VIDEO (luminance signal)	1 Vp-p / 75 Ω
S VIDEO (chrominance signal)	0.286 Vp-p / 75 Ω
COMPONENT VIDEO inputs / outputs	
COMPONENT VIDEO (luminance signal)	1 Vp-p / 75 Ω
COMPONENT VIDEO (CB/CR-signal)	0.64 Vp-p / 75 Ω

FM tuner section

Tuning frequency range	87.5 MHz ~ 108.0 MHz
Usable sensitivity (MONO)	1.3 μ V (75 Ω) / 13.2 dBf (75 kHz dev, SINAD 30 dB)
50 dB quieting sensitivity	
STEREO	28 μ V (75 Ω) / 40.2 dBf (75 kHz dev)
Total harmonic distortion	
MONO (1 kHz, 75 kHz dev)	0.5% (65 dBf input)
STEREO (1 kHz, 67.5 + 67.5 kHz dev)	0.7% (65 dBf input)
Signal to noise ratio	
MONO (1 kHz, 75 kHz dev)	75 dB (65 dBf input)
STEREO (1 kHz, 67.5 + 67.5 kHz dev)	68 dB (65 dBf input)
Stereo separation (1 kHz)	40 dB
Selectivity (± 400 kHz)	70 dB
Frequency response (30 Hz ~ 15 kHz)	+0.5 dB, -3.0 dB

AM tuner section

Tuning frequency range	530 kHz ~ 1,700 kHz
Usable sensitivity (30% mod, S/N 20 dB)	16 μ V / (600 μ V/m)
Signal to noise ratio (30% mod, 400 Hz)	50 dB (60 dB μ V EMF input)

GENERAL

Power consumption	3.4 A
Standby Power consumption	Less than 1 W
AC outlet	
SWITCHED	(total 150 W, 1.25 A max.)
Dimensions	W : 440 mm (17-5/16")
	H : 166 mm (6-9/16")
	D : 396 mm (15-9/16")
Weight (Net)	12.0 kg (26.5 lb)

Notes

1. KENWOOD follows a policy of continuous advancements in development. For this reason specifications may be changed without notice.
2. The full performance may not be exhibited in an extremely cold location (under a water-freezing temperature).

KRF-V7090D/VR-9050/9060/9070

SPECIFICATIONS (VR-9070)

AUDIO section

Rated power output during STEREO operation

100 watts per channel minimum RMS, both channels driven, at 8 Ω from 20 Hz to 20 kHz with no more than 0.09% total harmonic distortion. (FTC)

Effective power output during SURROUND operation

FRONT (20 ~ 20 kHz, 0.09 % T.H.D., at 8 Ω one channel driven)	100 W + 100 W
CENTER (20 ~ 20 kHz, 0.09 % T.H.D., at 8 Ω one channel driven)	100 W
SURROUND (20 ~ 20 kHz, 0.7 % T.H.D., at 8 Ω one channel driven)	100 W + 100 W
SURROUND BACK (20 ~ 20 kHz, 0.7 % T.H.D., at 8 one channel driven)	100 W + 100 W
Total harmonic distortion	0.009 % (1 kHz, 50 W, 8 Ω)
Frequency response	
CD/DVD	10 Hz ~ 100 kHz, +0 dB ~ -3.0 dB
PHONO 'RIAA' response	40 Hz ~ 20 kHz, +1.5 dB ~ -3.0 dB
Maximum input level	
PHONO (MM)	40 mV, 1 % T.H.D., at 1 kHz
Signal to noise ratio (IHF'66)	
PHONO (MM)	75 dB
CD/DVD	95 dB
Input sensitivity / impedance	
PHONO (MM)	4 mV / 47 k Ω
CD/DVD, MD/TAPE, AV AUX, VIDEO 1, VIDEO 2, VIDEO 3, DVD/6CH	300 mV / 47 k Ω
Output level / impedance	
TAPE REC.	300 mV / 1 k Ω
PRE OUT (FRONT CHANNEL)	1 V / 500 Ω
PRE OUT (CENTERCHANNEL)	1 V / 500 Ω
PRE OUT (SURROUND CHANNEL)	1 V / 500 Ω
PRE OUT (SURROUND BACK CHANNEL)	1 V / 500 Ω
PRE OUT (SUBWOOFER)	1 V / 500 Ω
Tone control	
BASS	± 10 dB (at 100 Hz)
TREBLE	± 10 dB (at 10 kHz)
Loudness control	
VOLUME at -30 dB level	+6 dB (100 Hz)

DIGITAL AUDIO section

Sampling frequency	32 kHz, 44.1 kHz, 48 kHz, 96 kHz
Input level / impedance / wave length	
Optical	-15 dBm ~ -24 dBm, 660 nm ± 30 nm
Coaxial	0.5 Vp-p / 75 Ω
Output level / impedance / wave length	
Optical	-21 dBm ~ -15 dBm, 660 nm ± 30 nm

VIDEO section

VIDEO inputs / outputs	
VIDEO (composite)	1 Vp-p / 75 Ω
S VIDEO inputs / outputs	
S VIDEO (luminance signal)	1 Vp-p / 75 Ω
S VIDEO (chrominance signal)	0.286 Vp-p / 75 Ω
COMPONENT VIDEO inputs / outputs	
COMPONENT VIDEO (luminance signal)	1 Vp-p / 75 Ω
COMPONENT VIDEO (CB/CR-signal)	0.64 Vp-p / 75 Ω

FM tuner section

Tuning frequency range	87.5 MHz ~ 108.0 MHz
Usable sensitivity (MONO)	1.3 μ V (75 Ω) / 13.2 dBf (75 kHz dev, SINAD 30 dB)
50 dB quieting sensitivity	
STEREO	28 μ V (75 Ω) / 40.2 dBf (75 kHz dev)
Total harmonic distortion	
MONO (1 kHz, 75 kHz dev)	0.5% (65 dBf input)
STEREO (1 kHz, 67.5 + 67.5 kHz dev)	0.7% (65 dBf input)
Signal to noise ratio	
MONO (1 kHz, 75 kHz dev)	75 dB (65 dBf input)
STEREO (1 kHz, 67.5 + 67.5 kHz dev)	68 dB (65 dBf input)
Stereo separation (1 kHz)	40 dB
Selectivity (± 400 kHz)	70 dB
Frequency response (30 Hz ~ 15 kHz)	+0.5 dB, -3.0 dB

AM tuner section

Tuning frequency range	530 kHz ~ 1,700 kHz
Usable sensitivity (30% mod, S/N 20 dB)	16 μ V / (600 μ V/m)
Signal to noise ratio (30% mod, 400 Hz)	50 dB (60 dB μ V EMF input)

GENERAL

Power consumption	3.4 A
Standby Power consumption	less than 1 W
AC outlet	
SWITCHED	(total 150 W, 1.25 A max.)
Dimensions	W : 440 mm (17-5/16") H : 166 mm (6-9/16") D : 396 mm (15-9/16")
Weight (Net)	12 kg (26.5 lb)

Notes

1. KENWOOD follows a policy of continuous advancements in development. For this reason specifications may be changed without no tice.
2. The full performance may not be exhibited in an extremely cold location (under a water-freezing temperature).

