

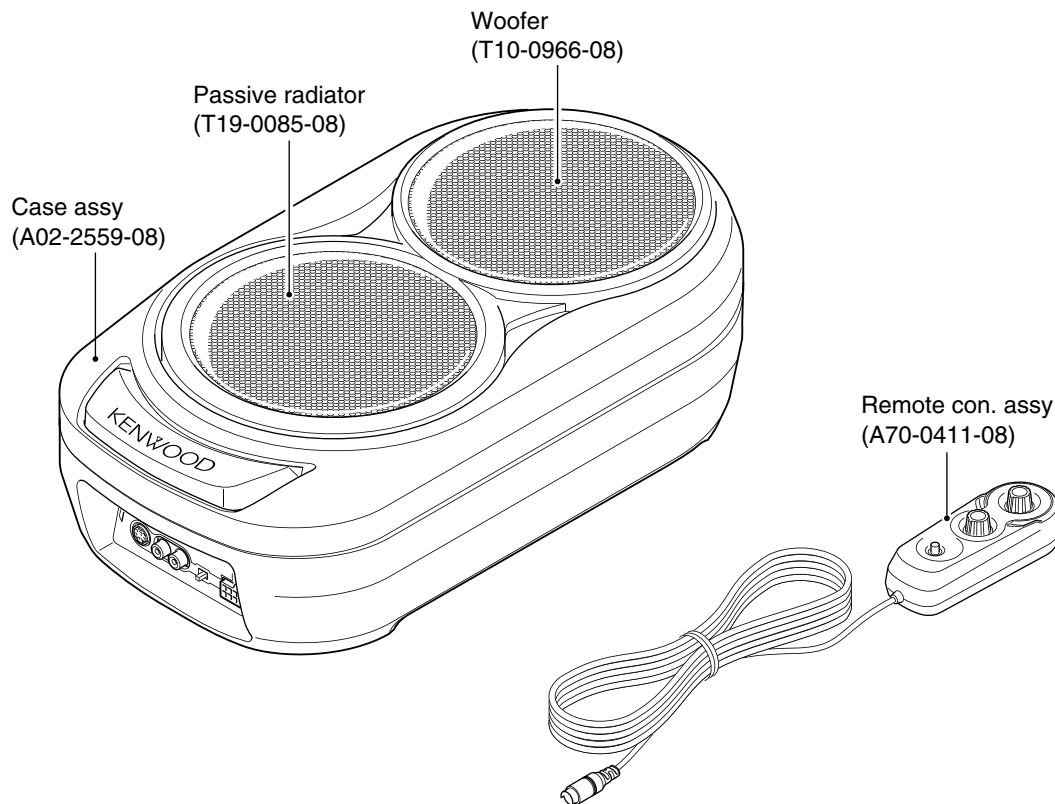
POWERED ENCLOSED SUBWOOFER

# KSC-WA62RC

## SERVICE MANUAL

# KENWOOD

© 2001-4 PRINTED IN JAPAN  
B51-7781-00 (N) 3377



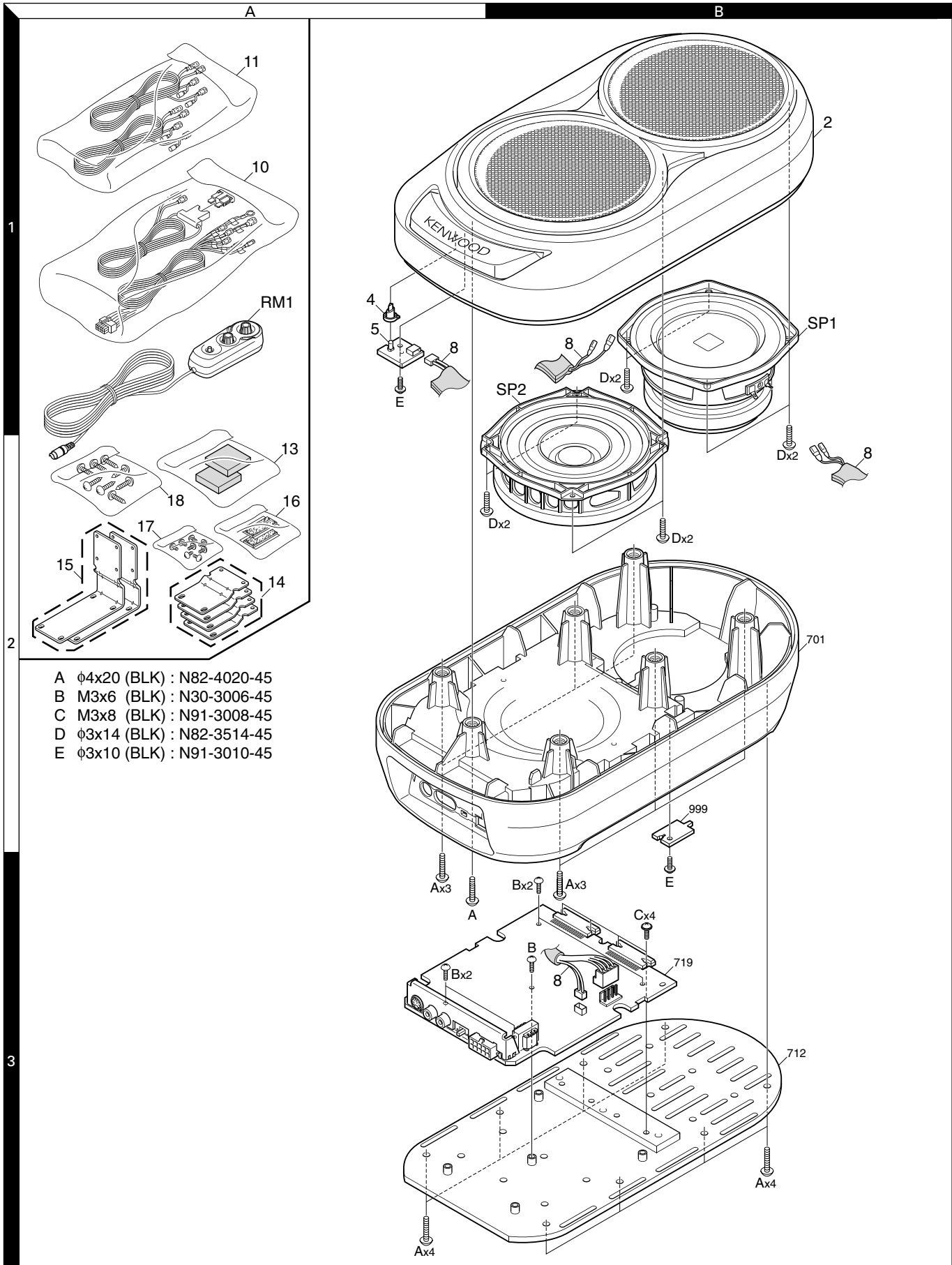
## SPECIFICATIONS

Type		Powered Enclosed Subwoofer	
[Amp unit]	Maximum output	50W/2Ω+50W/2Ω (Dual Voice-Coil Drive)	
	Frequency Response	35 - 160Hz	
	S/N ratio	85dB	
	Low Pass Filter Frequency	60Hz, 80Hz, 120Hz, 160Hz (4 steps)	
	Phase	0°, 180°	
	Sensitivity/ Input Impedance	RCA pin jack Speaker input	
			30mV/10kΩ 1.0V/1kΩ
	Power	DC14.4V (Operational range 10.5 - 16V)	
	Maximum current consumption	12A	
	Fuse capacity	15A	
[Speaker unit]	Enclosure	Passive radiator type	
	Active woofer	130mm(Gold-coated concaved cone)	
	Passive woofer	165mm(Gold-coated cone)	
[External size]	(W) × (H) × (D)mm	210 × 118 × 382	
	(W) × (H) × (D)inch	15-3/16 × 4-5/8 × 8-1/4	
	Weight	3.5kg (7.7lbs)	



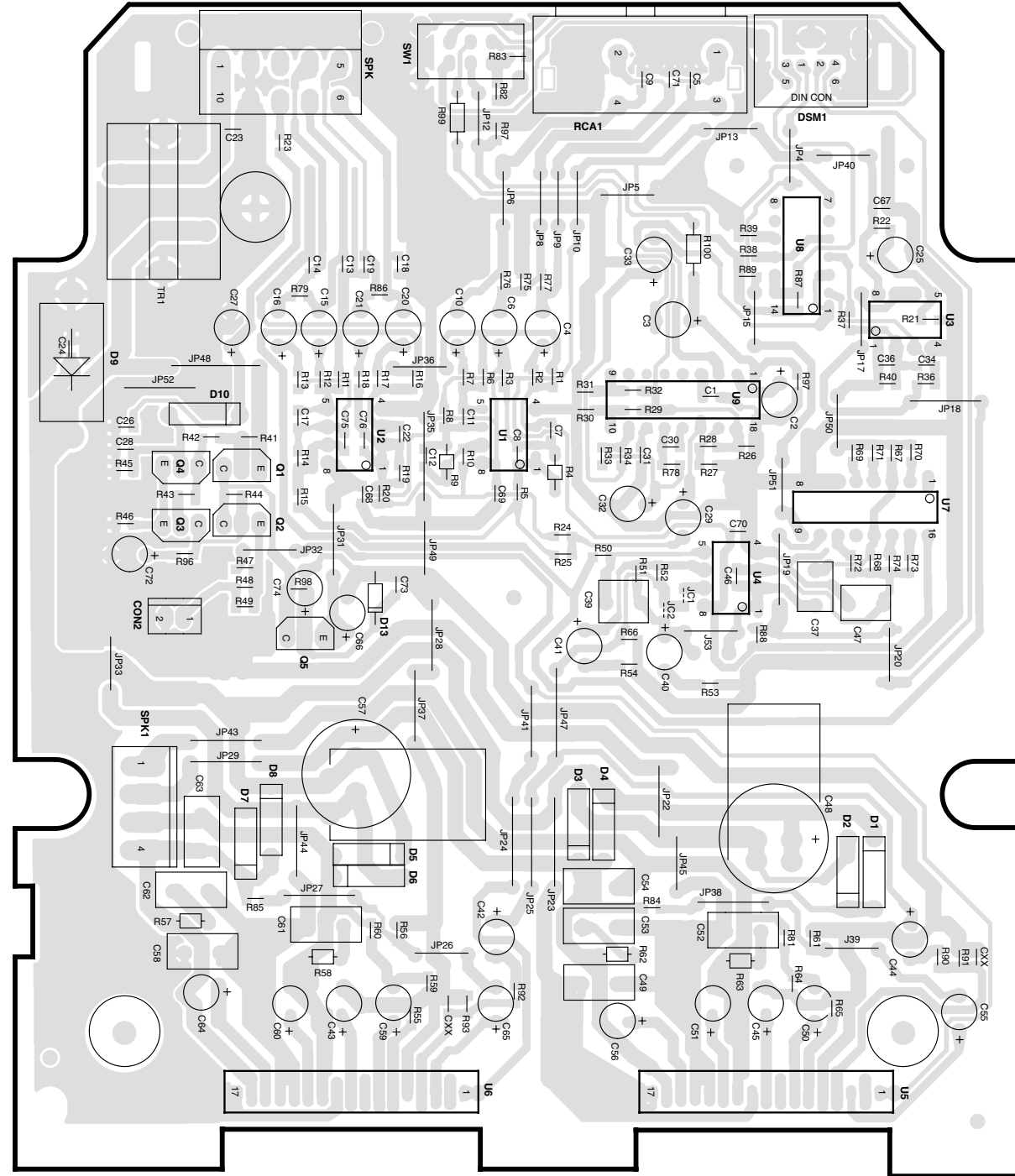
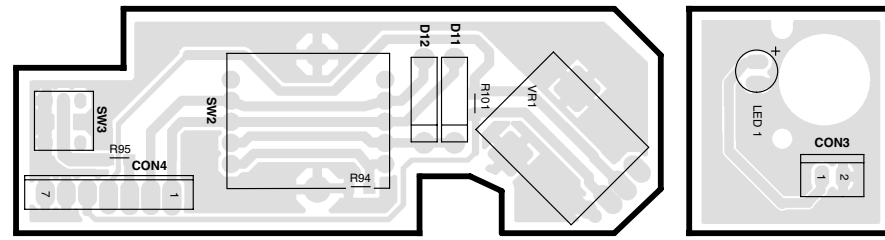
# KSC-WA62RC

## EXPLODED VIEW



2 Parts with the exploded numbers larger than 700 are not supplied.

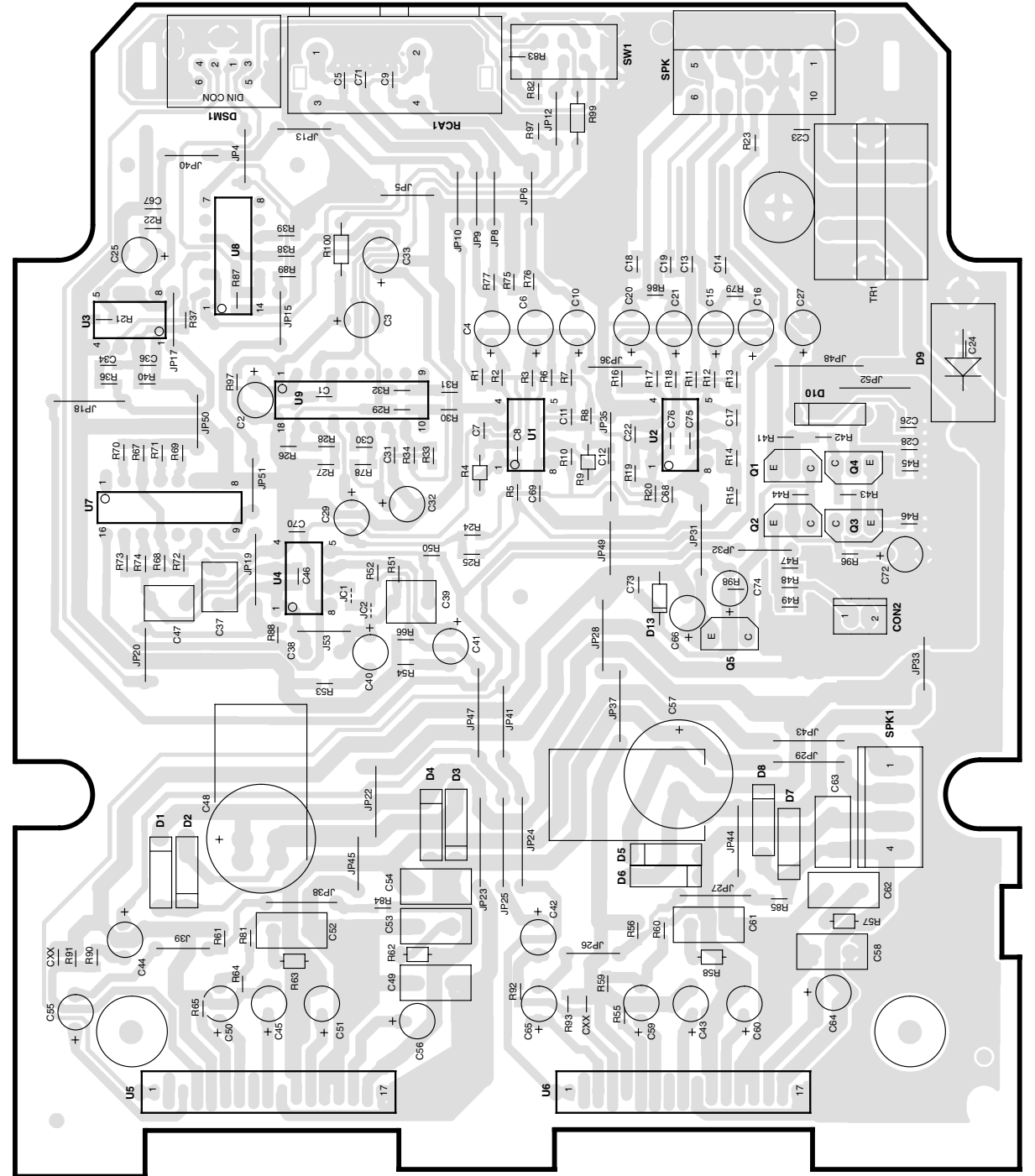
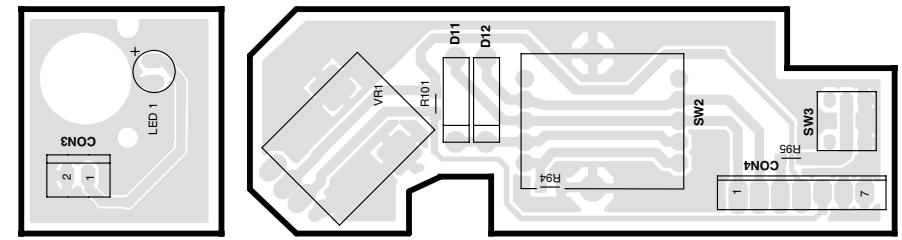
# PC BOARD (COMPONENT SIDE VIEW)



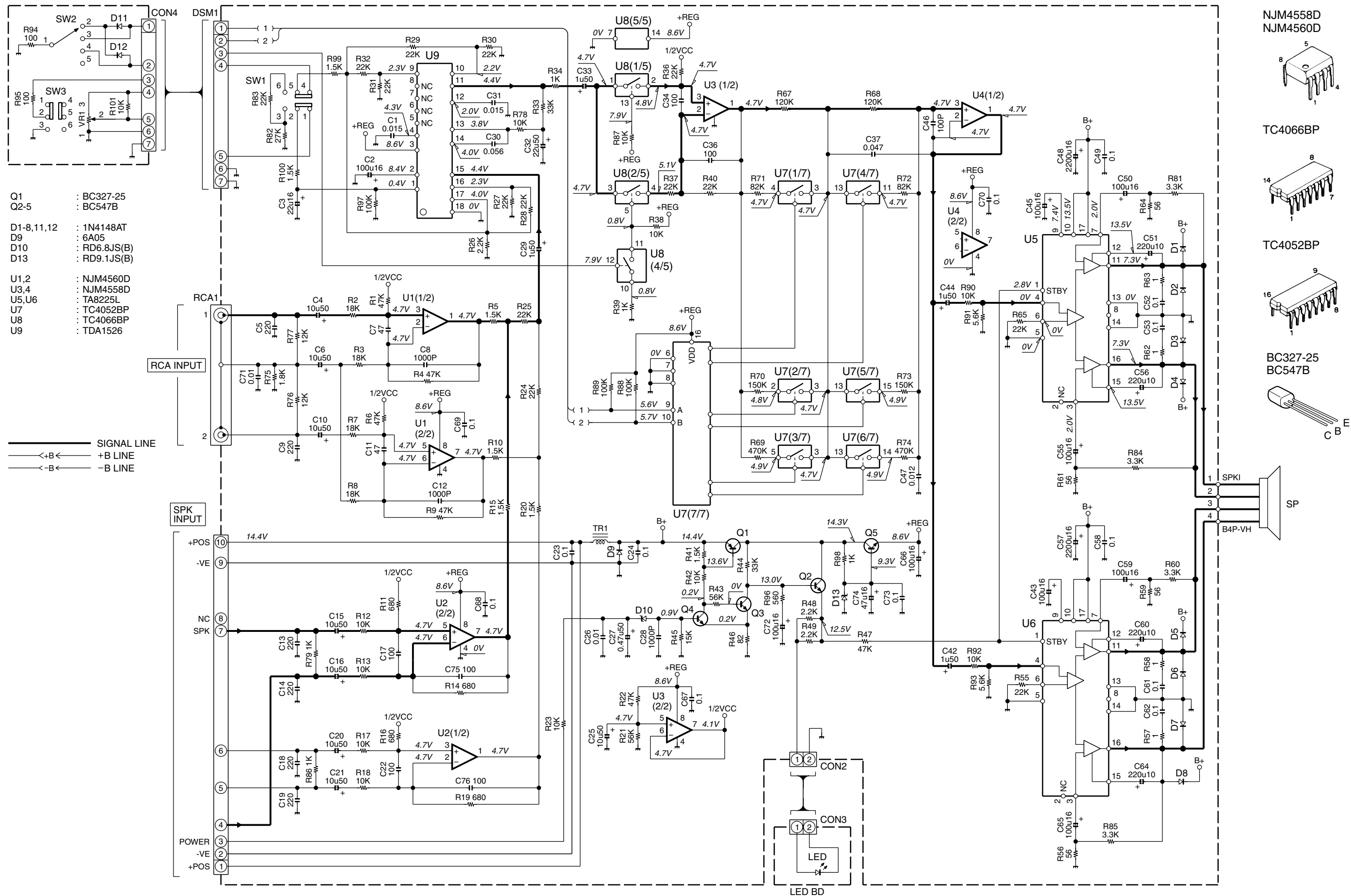
Q	address
1	4B
2	4B
3	4A
4	4A
5	5B

Refer to the schematic diagram for the values of resistors and capacitors.

# PC BOARD (FOIL SIDE VIEW)



Q	address
1	4J
2	4J
3	4J
4	4J
5	5I



- Q1 : BC327-25  
 Q2-5 : BC547B
- D1-8,11,12 : 1N4148AT  
 D9 : 6A05  
 D10 : RD6.8JS(B)  
 D13 : RD9.1JS(B)
- U1,2 : NJM4560D  
 U3,4 : NJM4558D  
 U5,U6 : TA8225L  
 U7 : TC4052BP  
 U8 : TC4066BP  
 U9 : TDA1526

— SIGNAL LINE  
 <-B- +B LINE  
 <-B- -B LINE

- NJM4558D  
 NJM4560D
- TC4066BP
- TC4052BP
- BC327-25  
 BC547B

**CAUTION :** For continued safety, replace safety critical components only with manufacturer's recommended parts (refer to parts list).  
 ⚠ Indicates safety critical components. To reduce the risk of electric shock, leakage-current or resistance measurements shall be carried out (exposed parts are acceptably insulated from the supply circuit) before the appliance is returned to the customer.  
 • DC voltages are as measured with a high impedance voltmeter. Values may vary slightly due to variations between individual instruments or/and units.

# KSC-WA62RC

## PARTS LIST

\*New Parts

Parts without **Parts No.** are not supplied.

Les articles non mentionnés dans le **Parts No.** ne sont pas fournis.

Teile ohne **Parts No.** werden nicht geliefert.

Ref. No.	A d d	N e w	Parts No.	Description	De s t i n a	Ref. No.	A d d	N e w	Parts No.	Description	De s t i n a
<b>KSC-WA62RC</b>											
2	1B	*	A02-2559-08	CASE ASSY		C32			CE04DW1H220M	ELECTRO	22UF 50WV
RM1	1A	*	A70-0411-08	REMOTE CON.ASSY		C33			CE04DW1H010M	ELECTRO	1.0UF 50WV
4	1A	*	B19-1288-08	LIGHTING BOARD		C34			CC73GCH1H101J	CHIP C	100PF J
5		*	B30-1839-08	LED		C36			CC73GCH1H101J	CHIP C	100PF J
-		*	B46-0100-50	WARRANTY CARD		C37			CF92FV1H473J	MF-C	0.047UF J
-		*	B61-1087-00	INSTRUCTION MANUAL		C42			CE04DW1H010M	ELECTRO	1.0UF 50WV
8	1B	*	E30-5906-08	CORD WITH CONNECTOR		C43			CE04DW1C101M	ELECTRO	100UF 16WV
10	1A	*	E30-5910-08	DC CORD ASSY		C44			CE04DW1H010M	ELECTRO	1.0UF 50WV
11	1A	*	E30-5925-08	CORD WITH CONNECTOR		C45			CE04DW1C101M	ELECTRO	100UF 16WV
F1		*	F05-1537-05	FUSE (15A)		C46			CC73GCH1H101J	CHIP C	100PF J
13	1A	*	G13-1172-08	CUSHION		C47			CF92FV1H123J	MF-C	0.012UF J
-		*	H10-8194-08	POLYSTYRENE FOAMED FIXTURE		C48			CE04DW1A222M	ELECTRO	2200UF 10WV
-		*	H25-2506-08	PROTECTION BAG		C49			CF92FV1H104J	MF-C	0.10UF J
-		*	H51-1574-08	ITEM CARTON CASE		C50			CE04DW1C101M	ELECTRO	100UF 16WV
14	2A	*	J19-4182-08	MOUNTING HARDWARE ASSY		C51			CE04DW1A221M	ELECTRO	220UF 10WV
15	2A	*	J19-4183-08	MOUNTING HARDWARE ASSY		C52 ,53			CF92FV1H104J	MF-C	0.10UF J
16		*	J69-0148-08	MAGIC TAPE		C55			CE04DW1C101M	ELECTRO	100UF 16WV
17	2A	*	N99-2130-08	SCREW SET		C56			CE04DW1A221M	ELECTRO	220UF 10WV
18	2A	*	N99-2131-08	SCREW SET		C57			CE04DW1A222M	ELECTRO	2200UF 10WV
A	3A	*	N82-4020-45	SCREW (CASEASSY)		C58			CF92FV1H104J	MF-C	0.10UF J
B	3B	*	N30-3006-45	SCREW (PCB)		C59			CE04DW1C101M	ELECTRO	100UF 16WV
C	3B	*	N91-3008-45	SCREW (IC)		C60			CE04DW1A221M	ELECTRO	220UF 10WV
D	2B	*	N82-3514-45	SCREW (DRIVER-REMO)		C61 ,62			CF92FV1H104J	MF-C	0.10UF J
E	3B	*	N91-3010-45	SCREW (SEAL-ILLMI)		C64			CE04DW1A221M	ELECTRO	220UF 10WV
SP1	1B	*	T10-0966-08	WOOFER		C65			CE04DW1C101M	ELECTRO	100UF 16WV
SP2	1B	*	T19-0085-08	PASSIVE RADIATOR		C66			CE04DW1C100M	ELECTRO	10UF 16WV
<b>ELECTRIC UNIT</b>						C67 -70			CK73GB1H104K	CHIP C	0.10UF K
LED1		*	B30-1843-08	LED (RED)		C71			CK73GB1H103K	CHIP C	0.010UF K
C1			CK73GB1H153K	CHIP C	0.015UF	K			CE04DW1C101M	ELECTRO	100UF 16WV
C2			CE04DW1C101M	ELECTRO	100UF	16WV			CE04DW1H220M	ELECTRO	22UF 50WV
C3			CE04DW1H220M	ELECTRO	22UF	50WV			CE04DW1H100M	ELECTRO	10UF 50WV
C4			CE04DW1H100M	ELECTRO	10UF	50WV			CC73GCH1H221J	CHIP C	220PF J
C5			CC73GCH1H221J	CHIP C	220PF	J			CE04DW1H100M	ELECTRO	10UF 50WV
C6			CE04DW1H100M	ELECTRO	10UF	50WV			CK73GB1H102K	CHIP C	1000PF K
C8			CK73GB1H102K	CHIP C	1000PF	K			CC73GCH1H221J	CHIP C	220PF J
C9			CC73GCH1H221J	CHIP C	220PF	J			CE04DW1H100M	ELECTRO	10UF 50WV
C10			CE04DW1H100M	ELECTRO	10UF	50WV			CK73GB1H102K	CHIP C	1000PF K
C12			CK73GB1H102K	CHIP C	1000PF	K			CC73GCH1H221J	CHIP C	220PF J
C13 ,14			CC73GCH1H221J	CHIP C	220PF	J			CE04DW1H100M	ELECTRO	10UF 50WV
C15 ,16			CE04DW1H100M	ELECTRO	10UF	50WV			CC73GCH1H221J	CHIP C	220PF J
C18 ,19			CC73GCH1H221J	CHIP C	220PF	J			CE04DW1H100M	ELECTRO	10UF 50WV
C20 ,21			CE04DW1H100M	ELECTRO	10UF	50WV			CK73GB1H104K	CHIP C	0.10UF K
C23 ,24			CK73GB1H104K	CHIP C	0.10UF	K			CE04DW1H100M	ELECTRO	10UF 50WV
C25			CE04DW1H100M	ELECTRO	10UF	50WV			CK73GB1H103K	CHIP C	0.010UF K
C26			CK73GB1H103K	CHIP C	0.010UF	K			CE04DW1HR47M	ELECTRO	0.47UF 50WV
C27			CE04DW1HR47M	ELECTRO	0.47UF	50WV			CK73GB1H102K	CHIP C	1000PF K
C28			CK73GB1H102K	CHIP C	1000PF	K			CE04DW1H010M	ELECTRO	1.0UF 50WV
C29			CE04DW1H010M	ELECTRO	1.0UF	50WV			CK73GB1C563K	CHIP C	0.056UF K
C30			CK73GB1C563K	CHIP C	0.056UF	K			CK73GB1H153K	CHIP C	0.015UF K
C31			CK73GB1H153K	CHIP C	0.015UF	K					
						C74			CE04DW1C470M	ELECTRO	47UF 16WV
						C75 ,76			CC73GCH1H101J	CHIP C	100PF J
						CON2			E58-0218-05	CONNECTOR ASSY (2P)	
						CON3	*		E58-0226-08	CONNECTOR ASSY (2P)	
						DSM1	*		E23-0262-08	CONNECTOR (MINIDIN 6P)	
						RCA1	*		E63-0219-08	RCA JACK	
						SPK			E08-1005-05	RECTANGULAR RECEPTACLE	
						SPK1	*		E58-0225-08	CONNECTOR ASSY (4P)	
						TR1	*		L33-0404-08	INDUCTOR FIXED 450UH	
						R1			RK73FB2A473J	CHIP R	47K J 1/10W
						R2			RK73FB2A183J	CHIP R	18K J 1/10W
						R3			RK73FB2A183J	CHIP R	18K J 1/10W
						R5			RK73FB2A152J	CHIP R	1.5K J 1/10W
						R6			RK73FB2A473J	CHIP R	47K J 1/10W
						R7 ,8			RK73FB2A183J	CHIP R	18K J 1/10W
						R10			RK73FB2A152J	CHIP R	1.5K J 1/10W
						R11			RK73FB2A681J	CHIP R	680 J 1/10W
						R12 ,13			RK73FB2A103J	CHIP R	10K J 1/10W
						R14			RK73FB2A681J	CHIP R	680 J 1/10W
						R15			RK73FB2A152J	CHIP R	1.5K J 1/10W
						R16			RK73FB2A681J	CHIP R	680 J 1/10W
						R17			RK73FB2A103J	CHIP R	10K J 1/10W
						R18			RK73FB2A103J	CHIP R	10K J 1/10W

# KSC-WA62RC

## PARTS LIST

\*New Parts

Parts without **Parts No.** are not supplied.

Les articles non mentionnés dans le **Parts No.** ne sont pas fournis.

Teile ohne **Parts No.** werden nicht geliefert.

### ELECTRIC UNIT

Ref. No.	A d d	N e w	Parts No.	Description	De s t i n a	Ref. No.	A d d	N e w	Parts No.	Description	De s t i n a
R19			RK73FB2A681J	CHIP R 680 J 1/10W		SW1		*	S62-0215-08	SLIDE SWITCH	
R20			RK73FB2A152J	CHIP R 1.5K J 1/10W		D1 -8			1N4148AT	DIODE	
R21			RK73FB2A563J	CHIP R 56K J 1/10W		D9		*	6A05	DIODE	
R22			RK73FB2A473J	CHIP R 47K J 1/10W		D10			RD6.8JS(B)	ZENER DIODE	
R23			RK73FB2A103J	CHIP R 10K J 1/10W		D13			RD9.1JS(B)	ZENER DIODE	
R24 ,25			RK73FB2A223J	CHIP R 22K J 1/10W		Q1		*	BC327-25	TRANSISTOR	
R26			RK73FB2A222J	CHIP R 2.2K J 1/10W		Q2 -5		*	BC547B	TRANSISTOR	
R27 -32			RK73FB2A223J	CHIP R 22K J 1/10W		U1 ,2			NJM4560D	IC(OP AMP X2)	
R33			RK73FB2A333J	CHIP R 33K J 1/10W		U3 ,4			NJM4558D	IC(OP AMP X2)	
R34			RK73FB2A102J	CHIP R 1.0K J 1/10W		U5 ,6		*	TA8225L	IC	
R36 ,37			RK73FB2A223J	CHIP R 22K J 1/10W		U7			TC4052BP	IC(4CH MPX/DE-MPX)	
R38			RK73FB2A103J	CHIP R 10K J 1/10W		U8			TC4066BP	IC(ANALOG/ DIGITAL SW)	
R39			RK73FB2A102J	CHIP R 1.0K J 1/10W		U9		*	TDA1526	IC	
R40			RK73FB2A223J	CHIP R 22K J 1/10W							
R41			RK73FB2A152J	CHIP R 1.5K J 1/10W							
R42			RK73FB2A103J	CHIP R 10K J 1/10W							
R43			RK73FB2A563J	CHIP R 56K J 1/10W							
R44			RK73FB2A333J	CHIP R 33K J 1/10W							
R45			RK73FB2A153J	CHIP R 15K J 1/10W							
R46			RK73FB2A820J	CHIP R 82 J 1/10W							
R47			RK73FB2A473J	CHIP R 47K J 1/10W							
R48 ,49			RK73FB2A222J	CHIP R 2.2K J 1/10W							
R55			RK73FB2A223J	CHIP R 22K J 1/10W							
R56			RK73FB2A560J	CHIP R 56 J 1/10W							
R59			RK73FB2A560J	CHIP R 56 J 1/10W							
R60			RK73FB2A332J	CHIP R 3.3K J 1/10W							
R61			RK73FB2A560J	CHIP R 56 J 1/10W							
R64			RK73FB2A560J	CHIP R 56 J 1/10W							
R65			RK73FB2A223J	CHIP R 22K J 1/10W							
R67 ,68			RK73FB2A124J	CHIP R 120K J 1/10W							
R69			RK73FB2A474J	CHIP R 470K J 1/10W							
R70			RK73FB2A154J	CHIP R 150K J 1/10W							
R71 ,72			RK73FB2A823J	CHIP R 82K J 1/10W							
R73			RK73FB2A154J	CHIP R 150K J 1/10W							
R74			RK73FB2A474J	CHIP R 470K J 1/10W							
R75			RK73FB2A182J	CHIP R 1.8K J 1/10W							
R76 ,77			RK73FB2A123J	CHIP R 12K J 1/10W							
R78			RK73FB2A103J	CHIP R 10K J 1/10W							
R79			RK73FB2A102J	CHIP R 1.0K J 1/10W							
R81			RK73FB2A332J	CHIP R 3.3K J 1/10W							
R82			RK73FB2A273J	CHIP R 27K J 1/10W							
R83			RK73FB2A223J	CHIP R 22K J 1/10W							
R84 ,85			RK73FB2A332J	CHIP R 3.3K J 1/10W							
R86			RK73FB2A102J	CHIP R 1.0K J 1/10W							
R87			RK73FB2A103J	CHIP R 10K J 1/10W							
R88			RK73FB2A104J	CHIP R 100K J 1/10W							
R89			RK73FB2A104J	CHIP R 100K J 1/10W							
R90			RK73FB2A103J	CHIP R 10K J 1/10W							
R91			RK73FB2A562J	CHIP R 5.6K J 1/10W							
R92			RK73FB2A103J	CHIP R 10K J 1/10W							
R93			RK73FB2A562J	CHIP R 5.6K J 1/10W							
R96			RK73FB2A561J	CHIP R 560 J 1/10W							
R97			RK73FB2A104J	CHIP R 100K J 1/10W							
R98			RK73FB2A102J	CHIP R 1.0K J 1/10W							