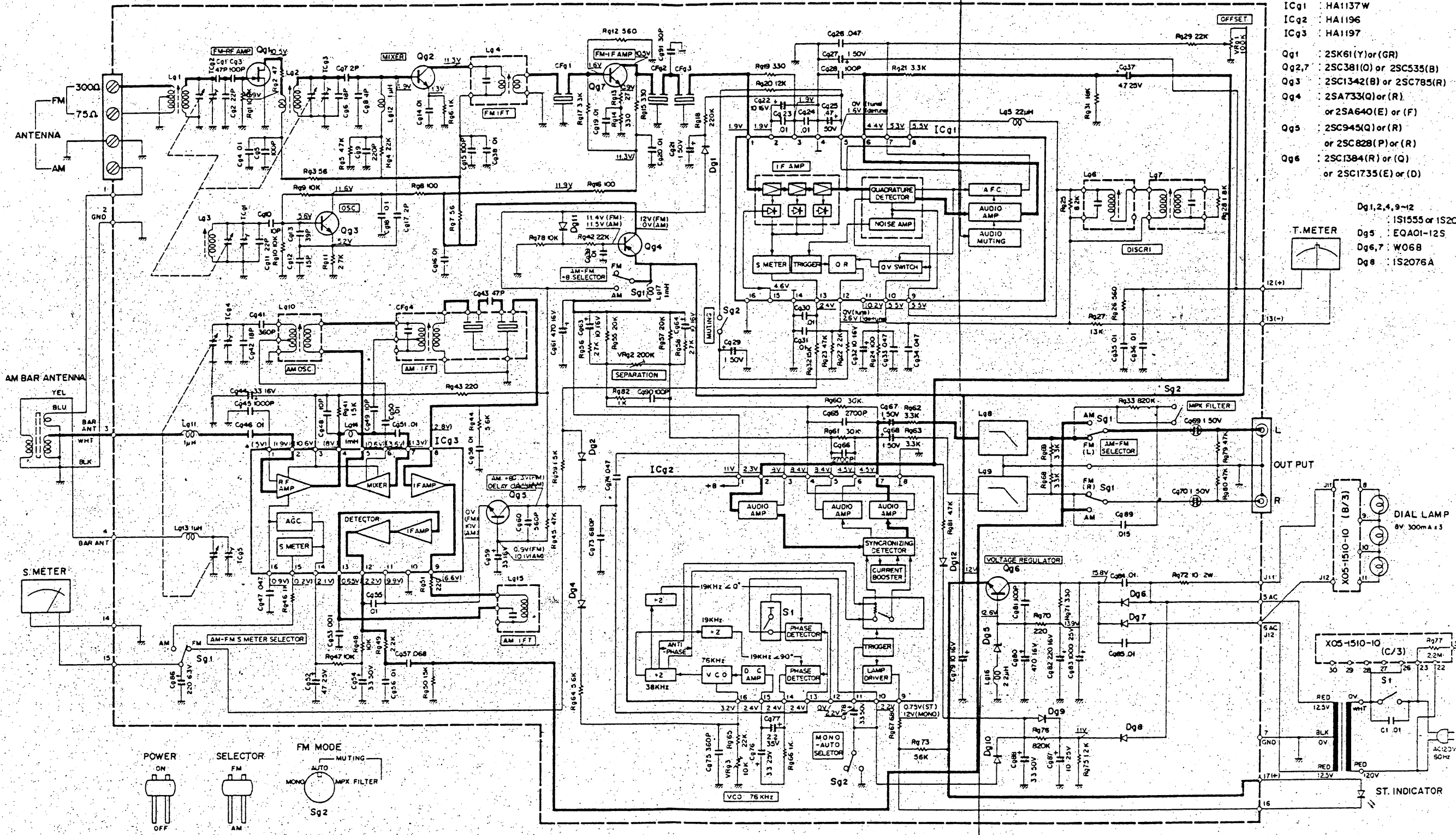
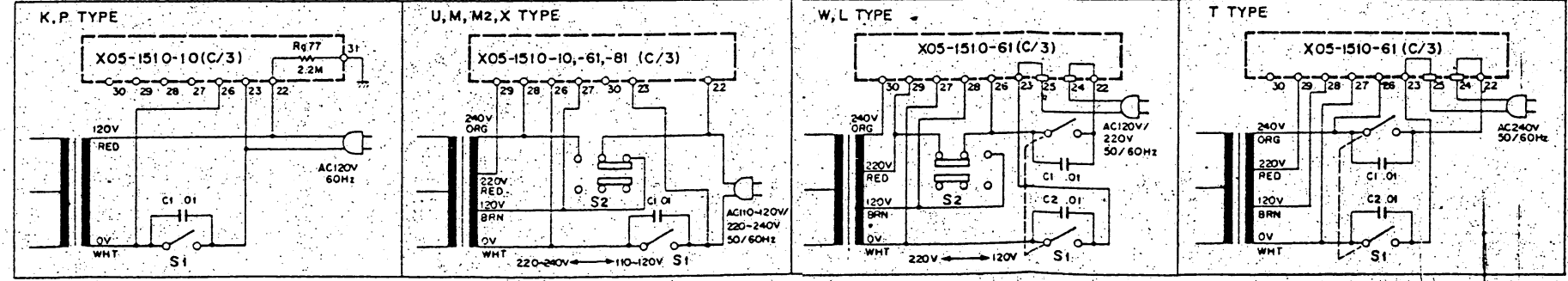
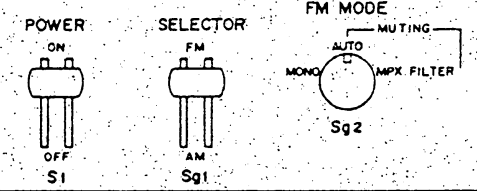
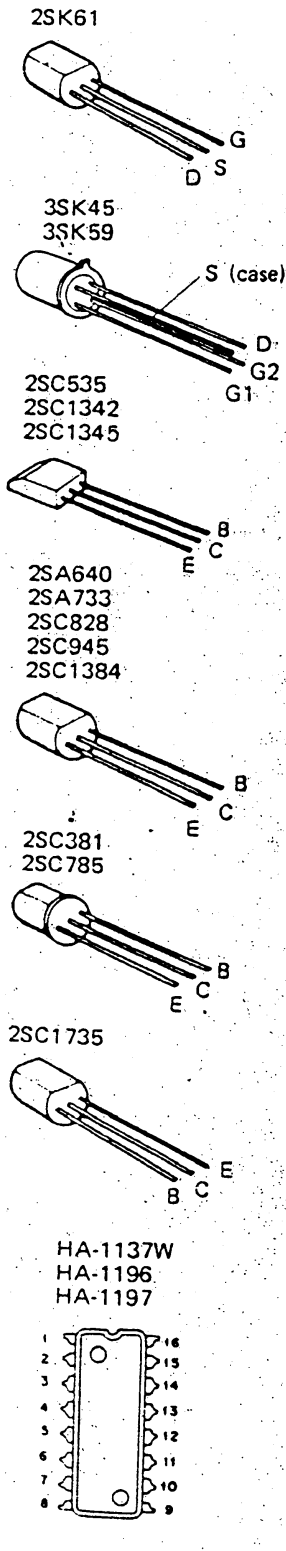


TUNER (X05-1510-10) (A/2)



- ICq1 : HA1137W
- ICq2 : HA1196
- ICq3 : HA1197
- Qq1 : 2SK61 (Y) or (GR)
- Qq2,7 : 2SC381(O) or 2SC535(B)
- Qq3 : 2SC1342(B) or 2SC785(R)
- Qq4 : 2SA733(Q) or (R)
- Qq5 : 2SC945(Q) or (R)
- Qq6 : 2SC1384(R) or (Q)
- Qq7 : 2SC1735(E) or (D)

- Dg1,2,4,9-12 : IS1555 or IS2076
- Dg5 : EQA01-12S
- Dg6,7 : W06B
- Dg8 : IS2076A



Semiconductor name	Substitutions
2SA733	2SA640
2SC335	2SC381
2SC785	2SC1342
2SC945	2SC828, 2SC1345
2SC1384	2SC1735, 2SC1212A
HA1137W	-
HA1196	-
HA1197	-

DC voltages to the chassis are reference values obtained from measurements with a 20 kΩ/V circuit tester.

— voltages during FM stereo performance
 () voltages during AM performance