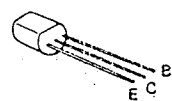
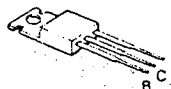


2S1 461
2SC535



2SA1029 2SC1775
2SC828A 2SC1890
2SC945 2SC1980



2SC789
2SC1061
2SC1419
2SD330

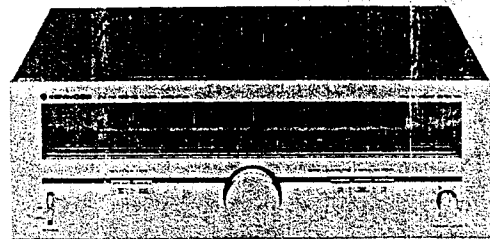
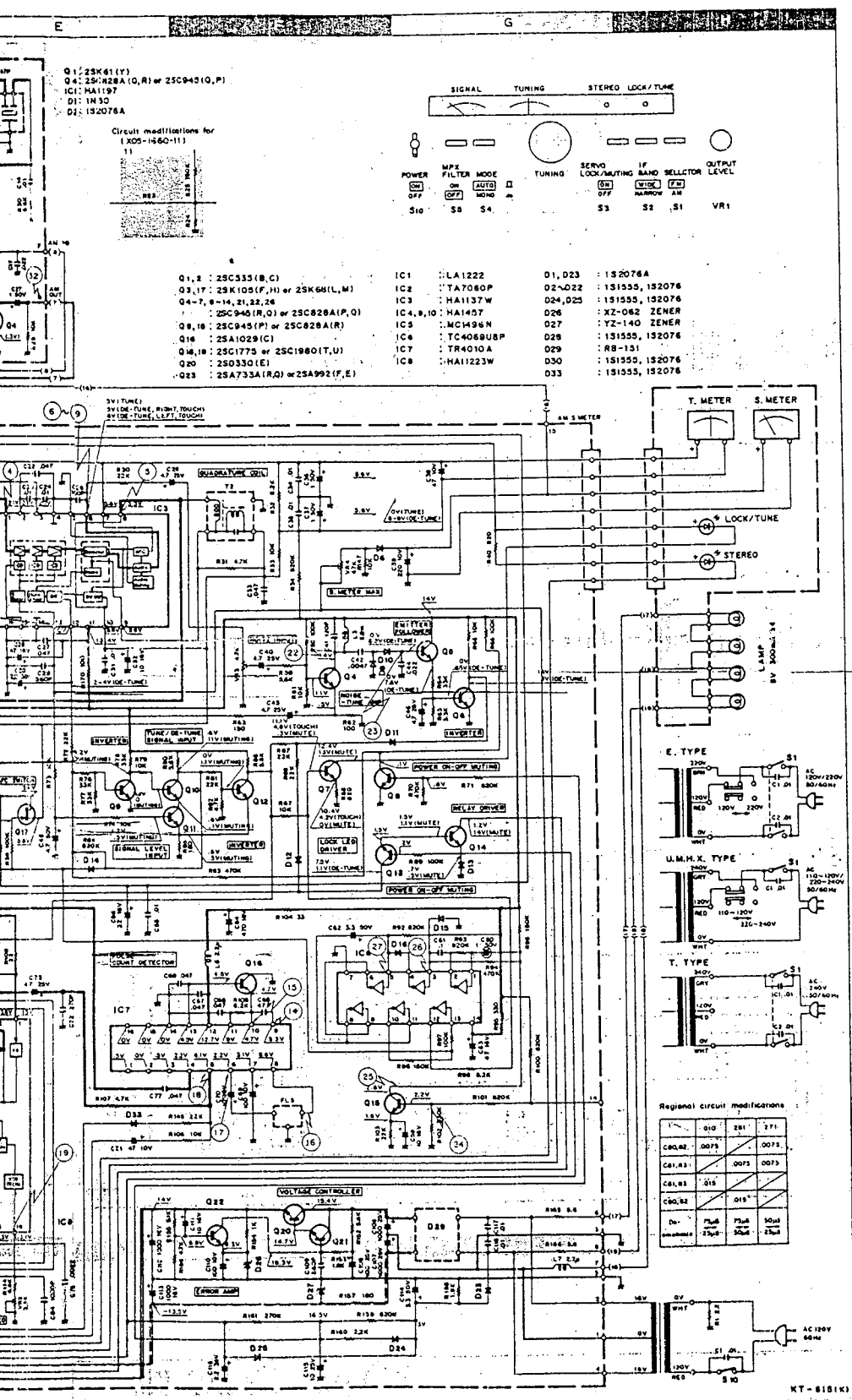


2SK68
2SK68A
2SK105

AM-FM STEREO TUNER

(KT-8155)

KT-815



FM TUNER SECTION

Usable Sensitivity	10.3 dBf (1.8 μV)
50 dB Quieting Sensitivity	15.8 dBf (3.4 μV)
(Mono)	37.2 dBf (140 μV)
(Stereo)	
Signal to Noise Ratio	84 dB
(Mono)	80 dB
(Stereo)	
Total Harmonic Distortion	
Mono at	
100 Hz	0.03%
1,000 Hz	0.04%
6,000 Hz	0.065%
15,000 Hz	0.07%
Stereo at	
50 Hz - 10,000 Hz	0.065%
100 Hz	0.07%
1,000 Hz	0.05%
6,000 Hz	0.1%
15,000 Hz	0.4%
50 Hz - 10,000 Hz	0.15%
Capture Ratio	1.0 dB
Alternate Channel Selectivity	45 dB
Stereo Separation	
50 Hz - 1,000 Hz	55 dB
50 Hz - 10,000 Hz	45 dB
15,000 Hz	40 dB
Frequency Response	30 Hz to 15,000 Hz - 0.3 dB, -0.5 dB
Spurious Response Ratio	120 dB
Image Response Ratio	110 dB
IF Response Ratio	105 dB
AM Suppression Ratio	65 dB
Sub-Carrier Product Ratio	70 dB
Antenna Impedance	300 ohms balanced & 75 ohms unbalanced
FM Frequency Range	88 MHz to 108 MHz
Output Level	
1,000 Hz 100% Mod.	Fixed: 0.7 V, 2.5 kohms
	Variable: 0 to 1.3 V, 1.5 kohms
Multipath Output	Vertical: 0.02 V, 1.0 kohms
	Horizontal: 0.35 V, 10 kohms

AM TUNER SECTION

Usable Sensitivity	9 μV
Signal to Noise Ratio	55 dB
Total Harmonic Distortion	0.4%
Image Rejection	60 dB
Selectivity	38 dB
Output Level	
400 Hz 30% Mod.	Fixed: 0.2 V, 2.5 kohms
	Variable: 0 to 0.3 V, 1.5 kohms

GENERAL

Power Requirements	60 Hz 120 V (U.S.A. & Canada Model) or 50/60 Hz 110 120/220 240 V switchable
Power Consumption	20 watts
Dimensions	W 440 mm (17-10/32")
	H 153 mm (6-8/32")
	D 402 mm (15-7/32")
Weight (Net)	7.6 kg (16.7 lbs)

Note: Kunwood follows a policy of continuous advancements in development. For this reason, specifications may be changed without notice.

