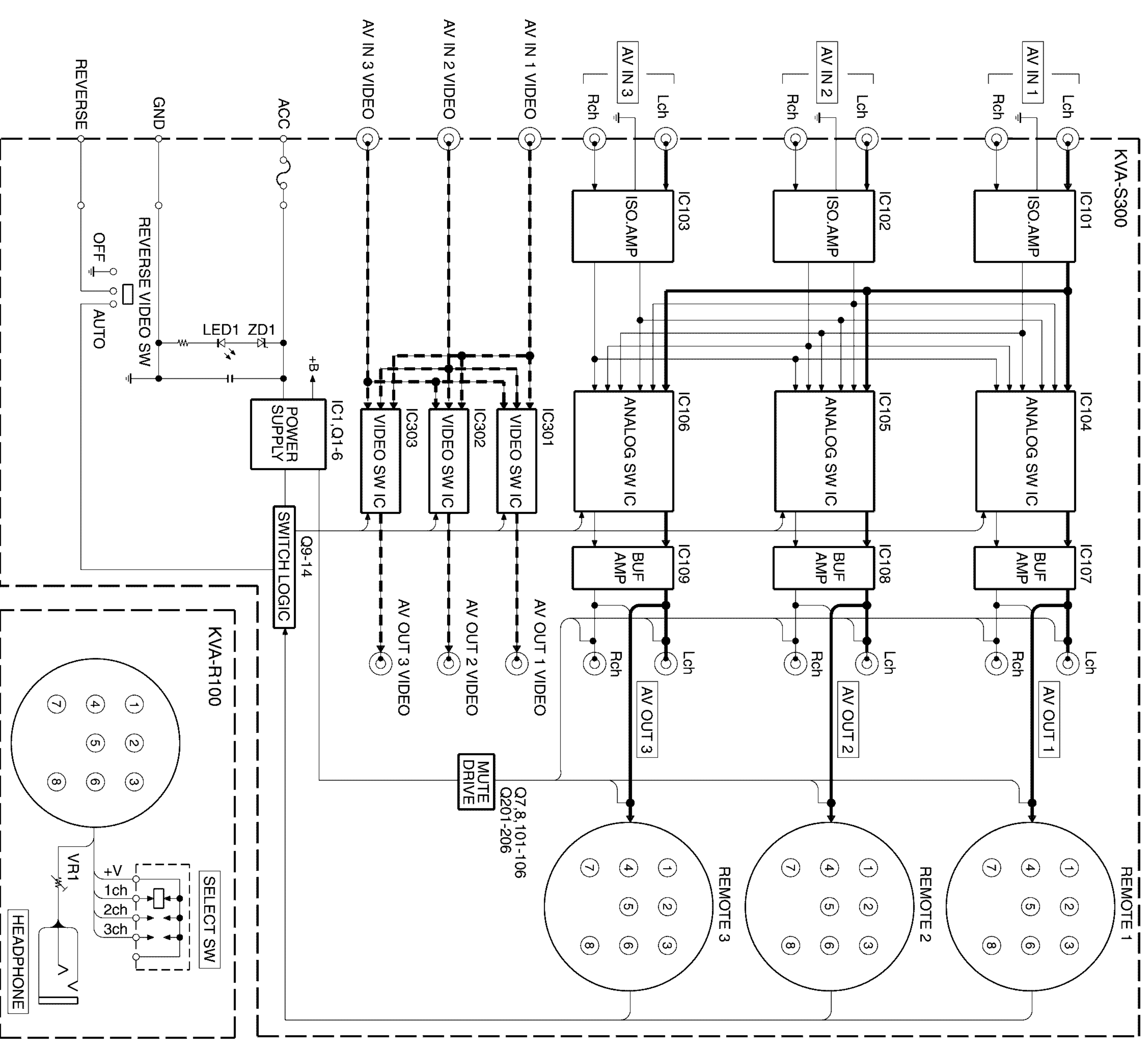
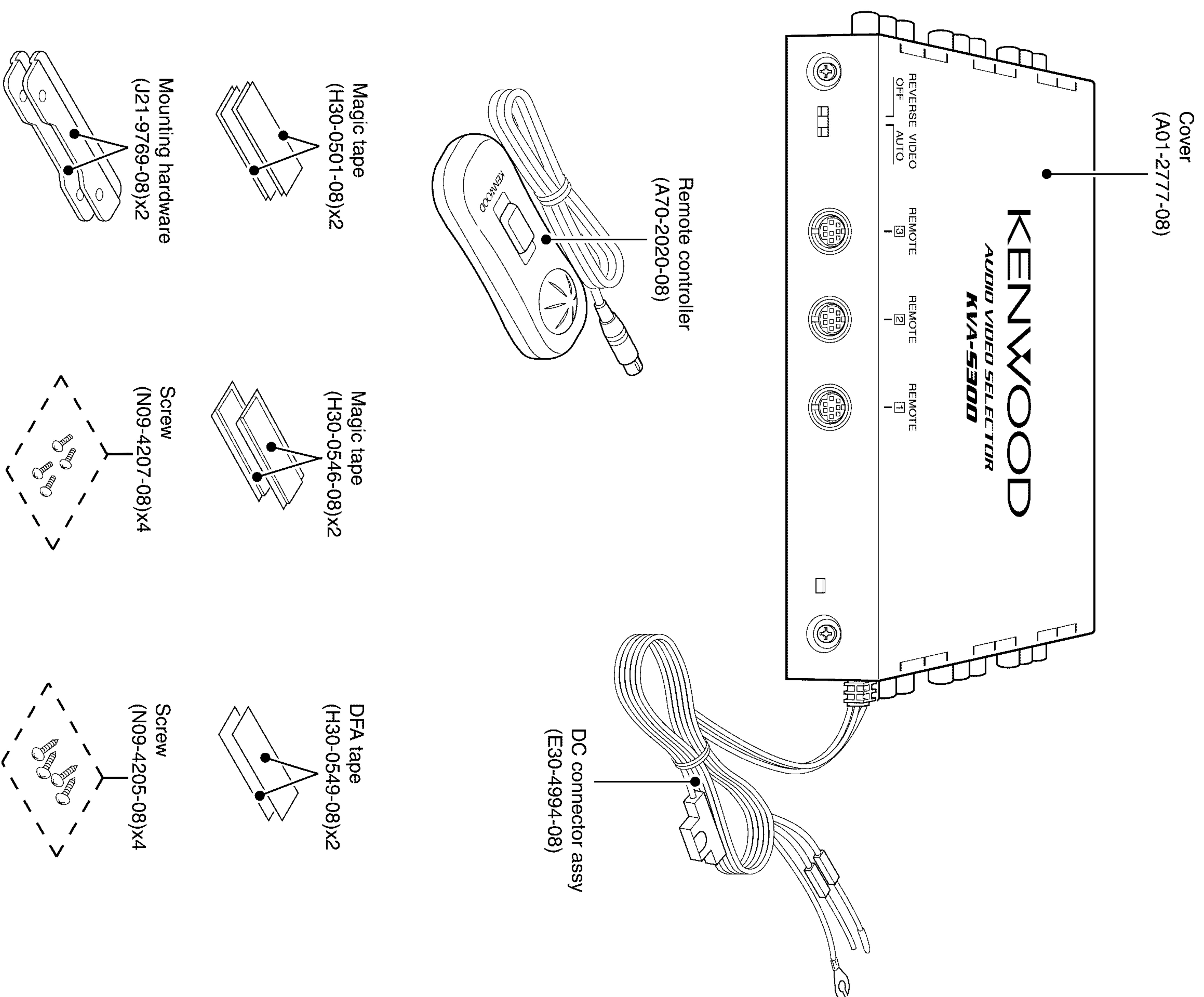


AUDIO VIDEO SELECTOR KVA-S300 SERVICE MANUAL

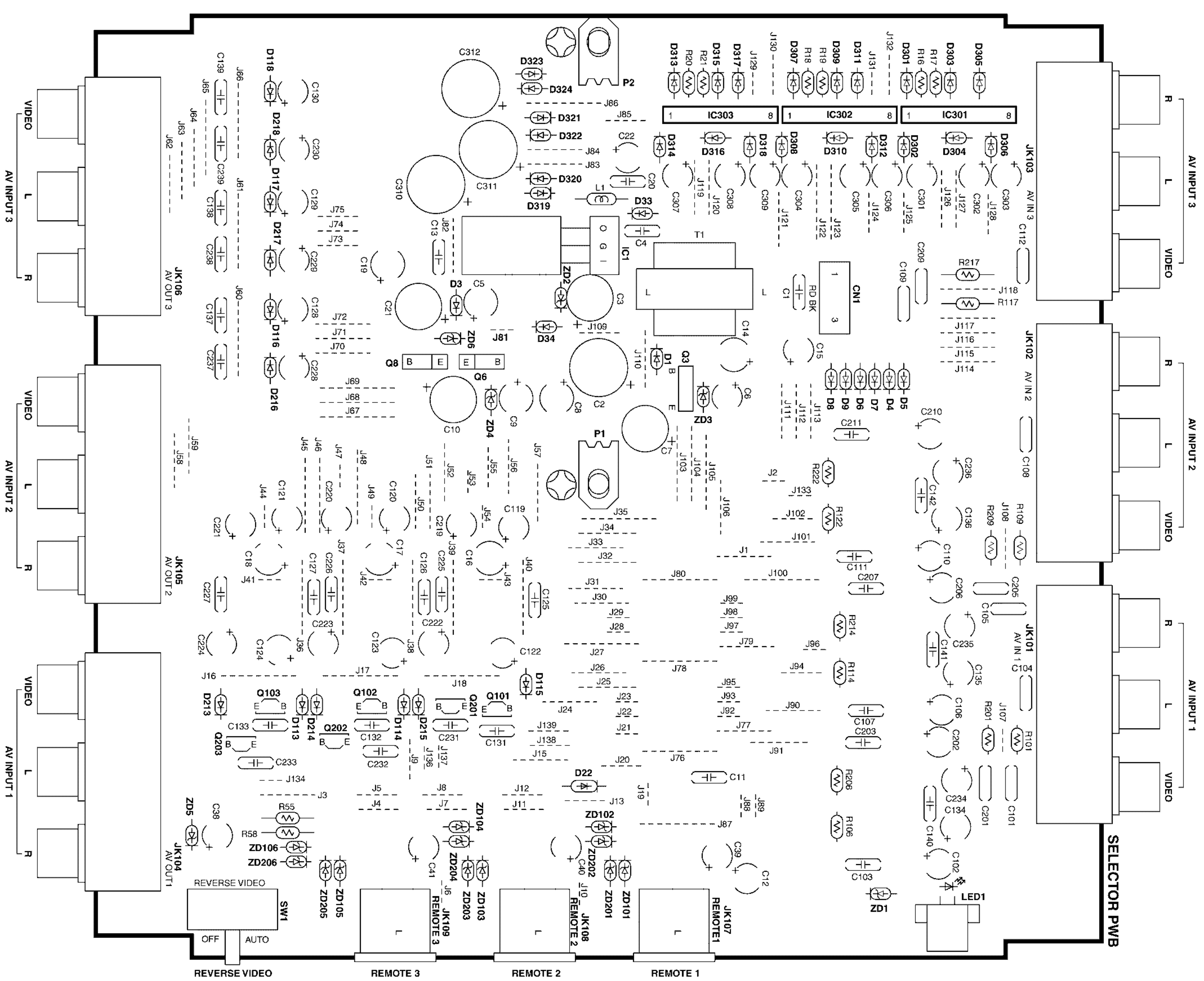
KENWOOD KVA-S300

BLOCK DIAGRAM

© 2001-3 PRINTED IN JAPAN
B51-7756-00 (N) 3376

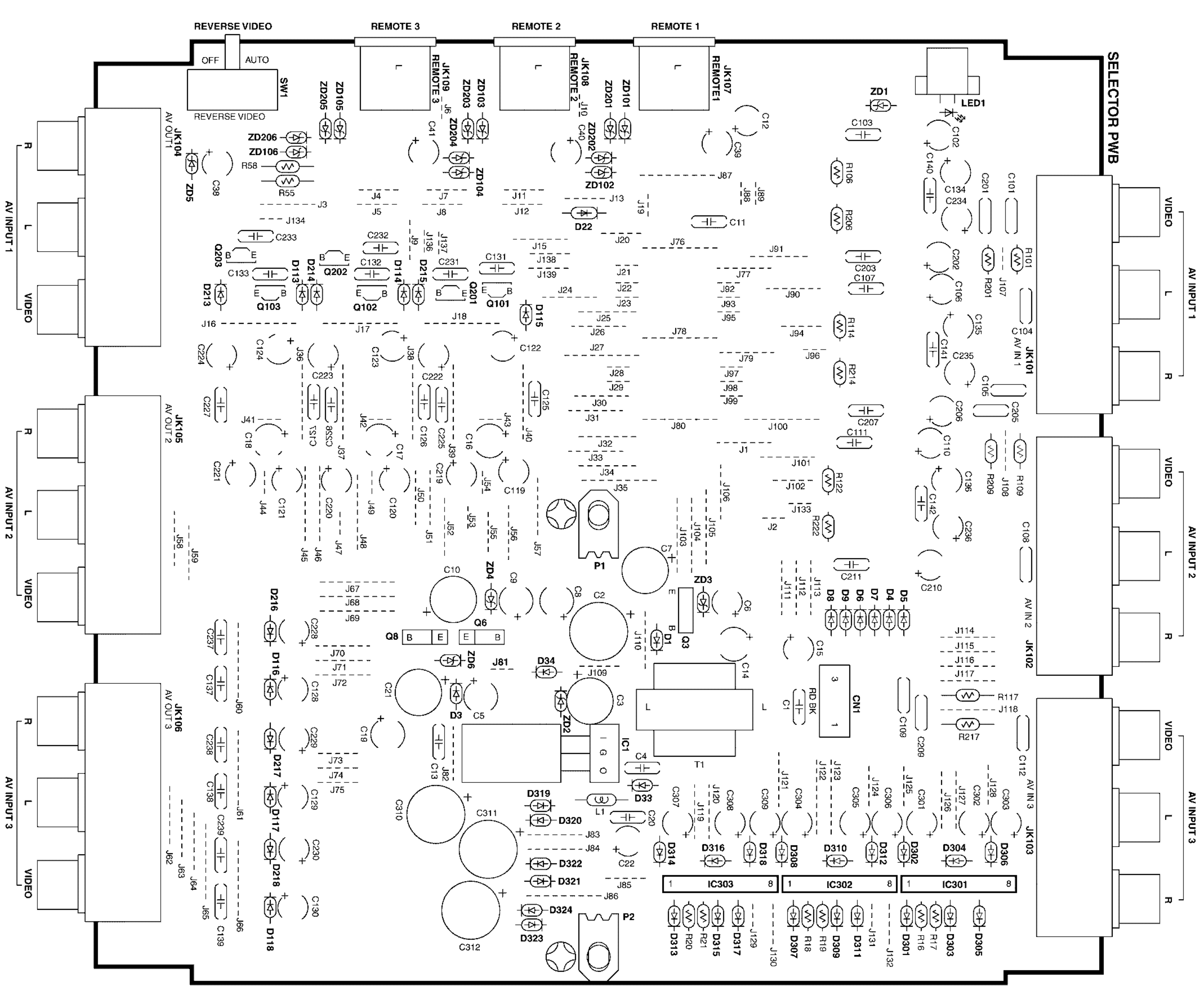
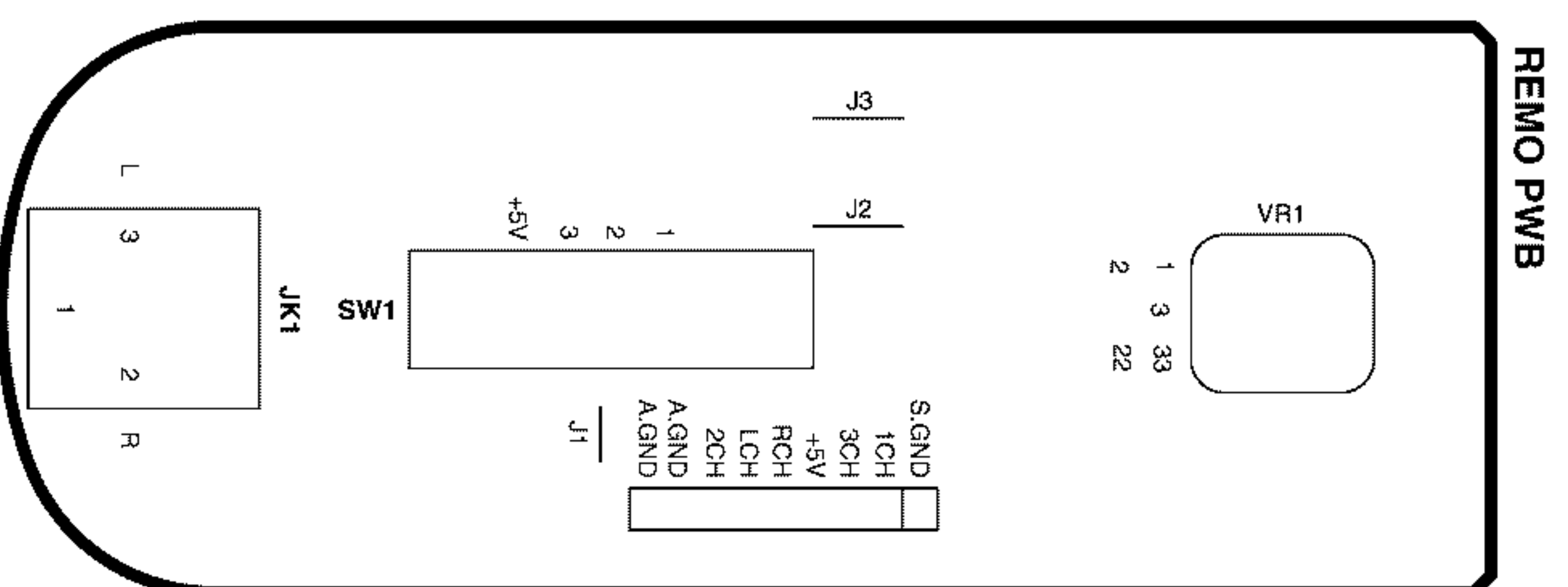
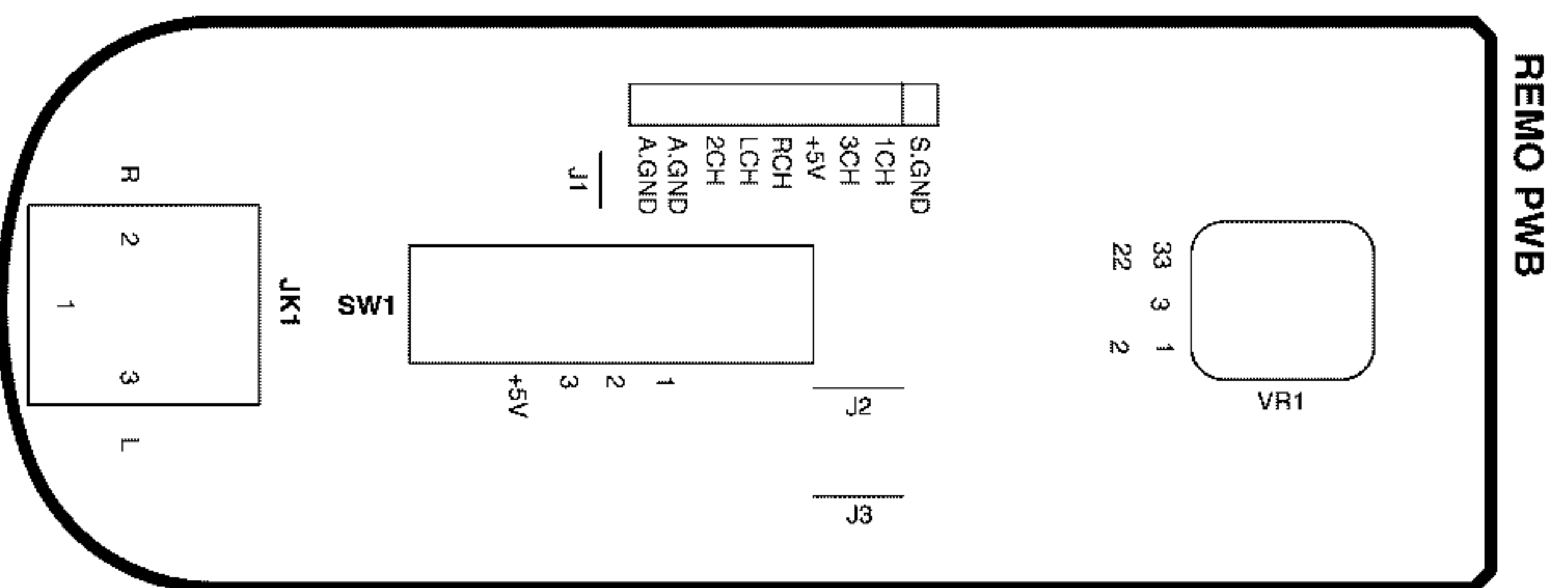


PC BOARD (COMPONENT SIDE VIEW)



IC	Q
1	4B
2	4B
3	4B
4	4B
5	4B
6	4B
7	4B
8	4B
9	4D
10	4D
11	4D
12	4D
13	5D
14	5D
15	5D
16	5D
17	5D
18	5D
19	5D
20	5D
21	4C
22	4C
23	5C
24	5C
25	5B
26	5B
27	5A

IC	Q
1	4I
2	3G
3	3H
4	3H
5	4G
6	4G
7	4H
8	4H
9	4H
10	4H
11	5H
12	5H
13	5H
14	5H
15	5H
16	5H
17	5H
18	5H
19	5H
20	5H
21	4H
22	4H
23	5H
24	5I
25	5I
26	5I
27	5J



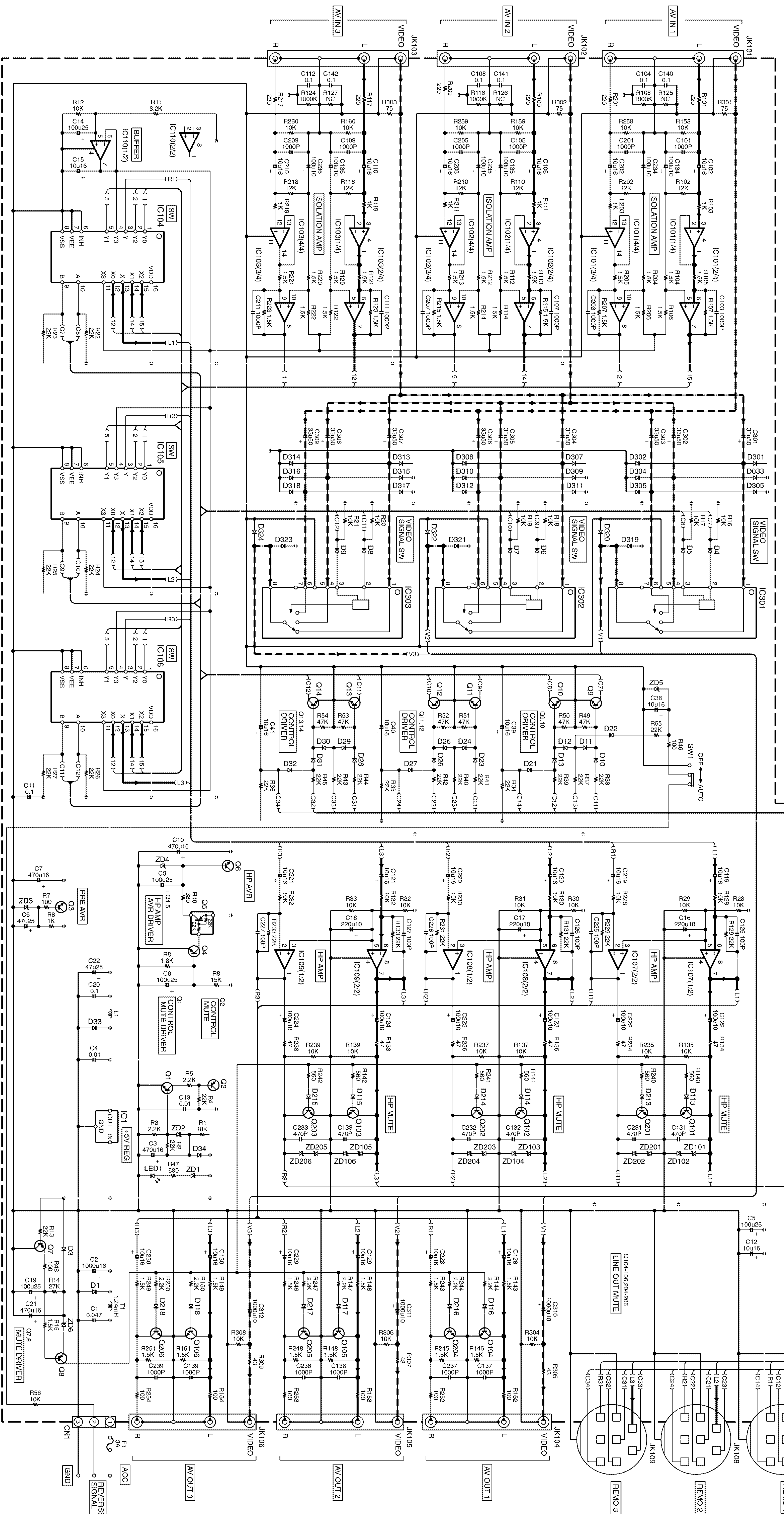
Refer to the schematic diagram for the values of resistors and capacitors.

(FOIL SIDE VIEW)

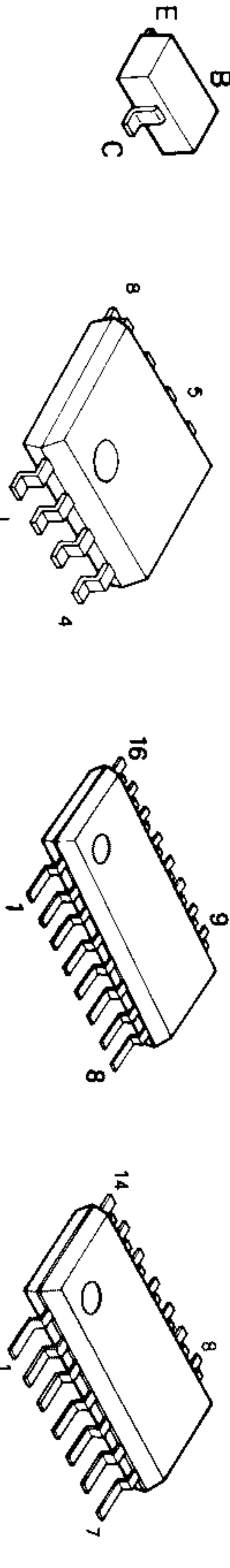
IC1 : NJM78M05FA
 IC1-1-103 : NJM2060M
 IC104-106 : MC14052BF
 IC107-109 : NJM3414AM
 IC110 : NJM4556MD
 IC301-303 : BM7615N

Q1,4,9-14,104-106 : DSK10C
 D3-9,22,33,34,113-118 : D1
 204-206 : 2SC2712(GR)
 Q2,7 : 2SA1162(GR)
 Q3,6 : 2SD2223(R)
 Q3,6 : FNT-FNM/R32-T1B
 Q8 : 2SA1085
 C8 : C101-103,201,202 : 2SC3327-A

ZD1,5,6,101-106 : ZD1
 201-206 : HZS5B1
 ZD2 : HZS5A1
 ZD3,4 : HZS11A1
 LED1 : B30-1342-05



2SA1162
 2SC2712
 NJM3414AM
 NJM4556MD
 MC14052BF
 NJM2060M



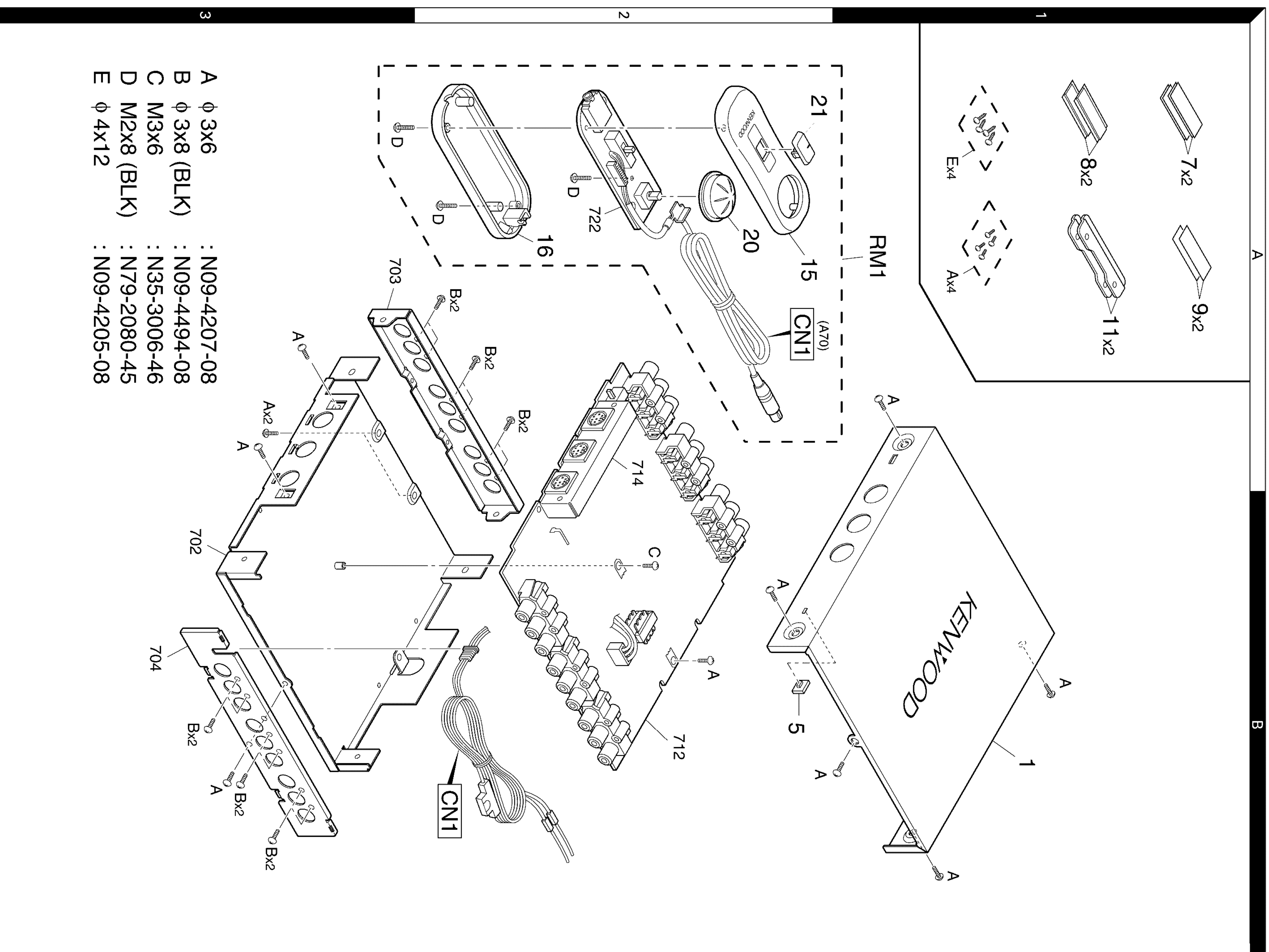
KVA-S300
KENWOOD

KVA-S300

KVA-S300

EXPLODED VIEW

PARTS LIST



* New Parts
Parts without **Parts No.** are not supplied.
Les articles non mentionnés dans le **Parts No.** ne sont pas fournis.
Teile ohne **Parts No.** werden nicht geliefert.

Ref. No.	A d	N e w	Parts No.	Description	De s t i n a
KVA-S300					
1	RM1		A01-2777-08	COVER	
		2A	A70-2020-08	REMOTE CONTROLLER	
5		2B	B11-1351-08	LIGHTING BOARD	
			B46-0100-50	WARRANTY CARD	
			B64-2020-00	INSTRUCTION MANUAL	
7		1A	H30-0501-08	MAGIC TAPE (20X60)	
		1A	H30-0546-08	MAGIC TAPE	
		1A	H30-0549-08	DFA TAPE (25X70)	
		1A	H19-0605-08	PACKING BOARD	
			H19-0607-08	PARTITION BOARD	
			H20-0486-00	PROTECTION BAG (130X200)	
			H20-0489-00	PROTECTION BAG (180X300)	
			H25-9995-09	PROTECTION BAG (270X420)	
			H54-2165-08	ITEM CARTON CASE	
11		1A	J21-9769-08	MOUNTING HARDWARE	
A		1B	N09-4207-08	SCREW (3X6) BIND B-TITE	
B		3B	N09-4494-08	SCREW (3X8) B-TITE	
C		2B	N35-3006-46	SCREW (M3X6) BIND	
E		1A	N09-4205-08	SCREW (4X12) BIND T.P	

ELECTRIC UNIT

Ref. No.	A d	N e w	Parts No.	Description	De s t i n a
LED1			B30-1342-05	LED	
C1			CF92FV1H473J	MF-C 0.047UF J	
C2		*	G90-5249-08	ELECTRO 1000UF 16WV	
C3			CE04DW1C471M	ELECTRO 470UF 16WV	
C4			CF92FV1H103J	MF-C 0.010UF J	
C5			CE04DW1E101M	ELECTRO 100UF 25WV	
C6			CE04DW1E470M	ELECTRO 47UF 25WV	
C7			CE04DW1C471M	ELECTRO 470UF 16WV	
C8			CE04DW1E101M	ELECTRO 100UF 25WV	
C9			CE04DW1E101M	ELECTRO 100UF 25WV	
C10			CE04DW1C471M	ELECTRO 470UF 16WV	
C11			CF92FV1H104J	MF-C 0.10UF J	
C12			CE04NW1C100M	ELECTRO 10UF 16WV	
C13			CF92FV1H103J	MF-C 0.010UF J	
C14			CE04DW1E101M	ELECTRO 100UF 25WV	
C15			CE04NW1C100M	ELECTRO 10UF 16WV	
C16-18			CE04DW1A221M	ELECTRO 220UF 10WV	
C19			CE04DW1E101M	ELECTRO 100UF 25WV	
C20			CF92FV1H104J	MF-C 0.10UF J	
C21			CE04DW1C471M	ELECTRO 470UF 16WV	
C22			CE04DW1C471M	ELECTRO 470UF 16WV	
C22			CE04DW1E470M	ELECTRO 47UF 25WV	
C33-41			CE04NW1C100M	ELECTRO 10UF 16WV	
C101			CF92FV1H102J	MF-C 1000PF J	
C102			CE04NW1C100M	ELECTRO 10UF 16WV	
C104			CF92FV1H104J	MF-C 0.10UF J	
C105			CF92FV1H102J	MF-C 1000PF J	
C106			CE04NW1C100M	ELECTRO 10UF 16WV	
C108			CF92FV1H104J	MF-C 0.10UF J	
C109			CF92FV1H102J	MF-C 1000PF J	
C110			CE04NW1C100M	ELECTRO 10UF 16WV	

Ref. No.	A d	N e w	Parts No.	Description	De s t i n a
C112			CF92FV1H104J	MF-C 0.10UF J	
C119-121			CE04NW1C100M	ELECTRO 10UF 16WV	
C122-124			CE04DW1A101M	ELECTRO 100UF 10WV	
C125-127			CF92V1H101K	MF-C 1000PF K	
C128-130			CE04NW1C100M	ELECTRO 10UF 16WV	
C131-133			C91-2117-08	MF-C 470PF J	
C134-136			CE04DW1A101M	ELECTRO 100UF 10WV	
C137-139			CF92FV1H102J	MF-C 1000PF J	
C140-142			CF92FV1H104J	MF-C 0.10UF J	
C143-145			CF92FV1H102J	MF-C 1000PF J	
C201			CF92FV1H102J	MF-C 1000PF J	
C202			CE04NW1C100M	ELECTRO 10UF 16WV	
C205			CF92FV1H102J	MF-C 1000PF J	
C206			CE04NW1C100M	ELECTRO 10UF 16WV	
C209			CF92FV1H102J	MF-C 1000PF J	
C210			CE04NW1C100M	ELECTRO 10UF 16WV	
C219-221			CE04NW1C100M	ELECTRO 10UF 16WV	
C222-224			CE04DW1A101M	ELECTRO 100UF 10WV	
C225-227			CF92V1H101K	MF-C 100PF K	
C228-230			CE04NW1C100M	ELECTRO 10UF 16WV	
C231-233			C91-2117-08	MF-C 470PF J	
C234-236			CE04DW1A101M	ELECTRO 100UF 10WV	
C237-239			CF92FV1H102J	MF-C 1000PF J	
C243-245			CF92FV1H102J	MF-C 1000PF J	
C301-309			CE04DW1E330M	ELECTRO 33UF 25WV	
C310-312			CE04DW1A102M	ELECTRO 1000UF 10WV	
CN1		*	E30-4994-08	DC CONNECTOR ASSY	
JK101-106		*	E63-0875-08	RCA 3P PINJACK	
JK107-109		*	E56-0811-05	8P MD CONNECTOR	
L1		*	L33-1814-08	AX.INDUCTOR	101K
T1			L33-0934-08	CHOKER TRANS	
R1			RK73FB2A223J	CHIP R 22K J 1/10W	
R2			RK73FB2A152J	CHIP R 15K J 1/10W	
R3			RK73FB2A152J	CHIP R 1.5K J 1/10W	
R4			RK73FB2A223J	CHIP R 22K J 1/10W	
R5			RK73FB2A222J	CHIP R 2.2K J 1/10W	
R6			RK73FB2A102J	CHIP R 1.0K J 1/10W	
R7			RK73GB1J101J	CHIP R 100 J 1/16W	
R8			RK73FB2A153J	CHIP R 15K J 1/10W	
R9			RK73FB2A182J	CHIP R 1.8K J 1/10W	
R10			RK73FB2A331J	CHIP R 330 J 1/10W	
R11			RK73FB2A822J	CHIP R 8.2K J 1/10W	
R12			RK73FB2A103J	CHIP R 10K J 1/10W	
R13			RK73FB2A223J	CHIP R 22K J 1/10W	
R14			RK73FB2A273J	CHIP R 27K J 1/10W	
R15			RK73FB2A152J	CHIP R 1.5K J 1/10W	
R22-27			RK73FB2A223J	CHIP R 22K J 1/10W	
R28-33			RK73FB2A103J	CHIP R 10K J 1/10W	
R34-45			RK73FB2A223J	CHIP R 22K J 1/10W	
R46			RK73GB1J101J	CHIP R 100 J 1/16W	
R47			RK73FB2A561J	CHIP R 560 J 1/10W	
R49-54			RK73FB2A473J	CHIP R 47K J 1/10W	
R102			RK73FB2A123J	CHIP R 12K J 1/10W	

Parts with the exploded numbers larger than 700 are not supplied.

7

8

E: Europe K: North America M: Other Areas
W: Without Europe

Δ indicates safety critical

