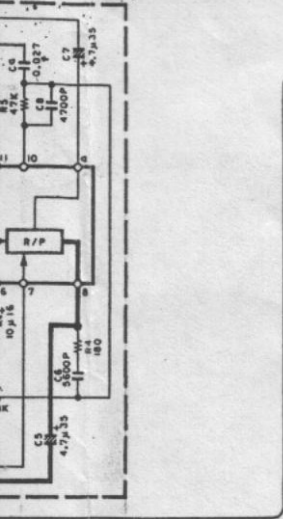
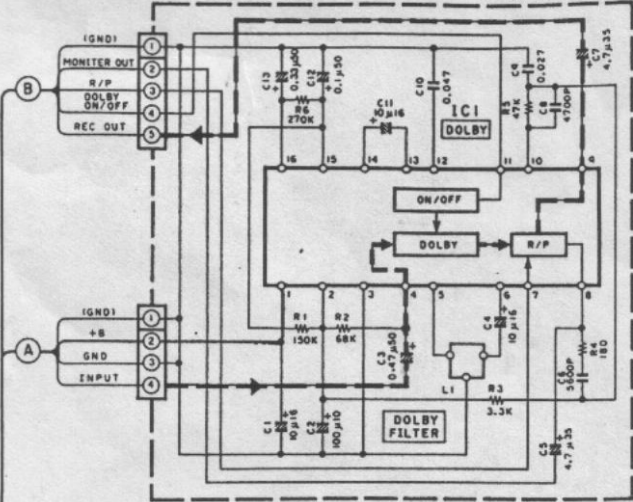


IC1: TA7629P

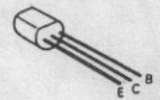


(X87-1070-00)

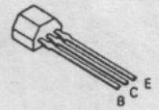
IC1: TA7629P



- 2SA1127NC
- 2SA733
- 2SC1685
- 2SC1845
- 2SC1980
- 2SC2320
- 2SC945
- 2SD863

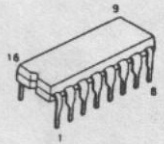


- 2SA933S
- 2SC1740S



TA7629P

x 2



BA6137

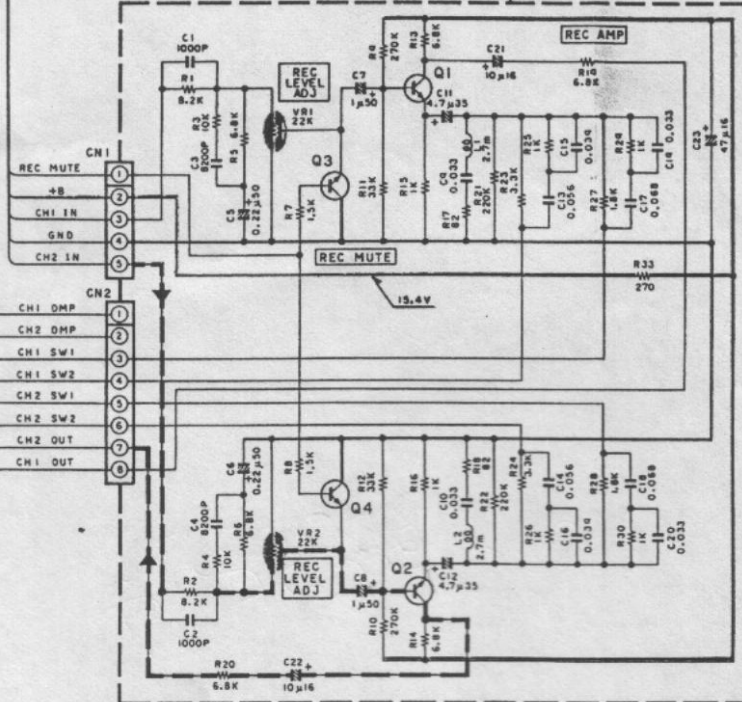


UPC1228HA



(X87-1040-00)

- Q1, 2 : 2SC1845(F, E) or 2SC1980(S, T)
- Q3, 4 : 2SC1740S(Q, R) , 2SC945(A)(Q, P)
- or 2SC1685(R, S)



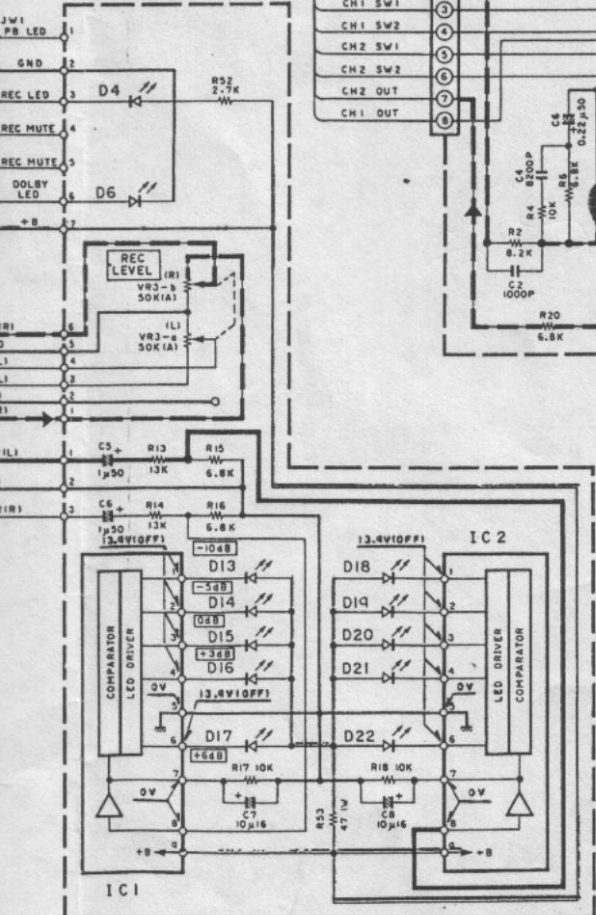
(X26-1110-10)

IC1, 2 : BA6137

- Q1, 2 : 2SC1740S(Q, R) , 2SC945(A)(Q, P)
- or 2SC1685(R, S)
- Q3, 5 : 2SC2320(E, F)
- Q4 : 2SA933S(Q, R) , 2SA733(A)(Q, P)
- or 2SA1127NC(R, S)
- Q6 : 2SD863(E, F)

- D4, 13~22 : B30-0431-05
- D6 : B30-1037-05
- D11 : RD13E(B)
- D12 : RD4.7E(B)

(X26-1110-10) (B/2)



KX-34 (K)

**KX-34**

**KENWOOD**