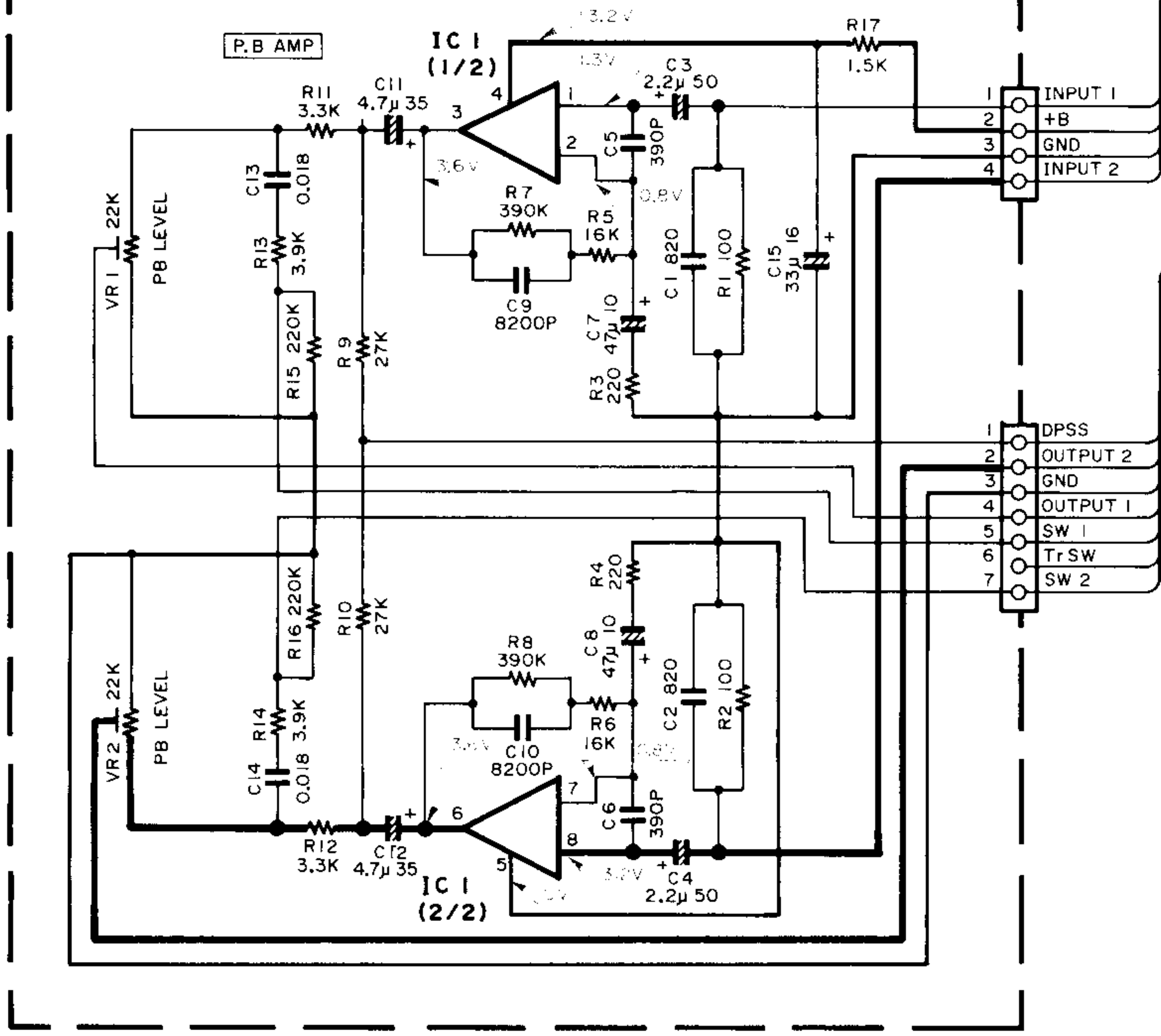


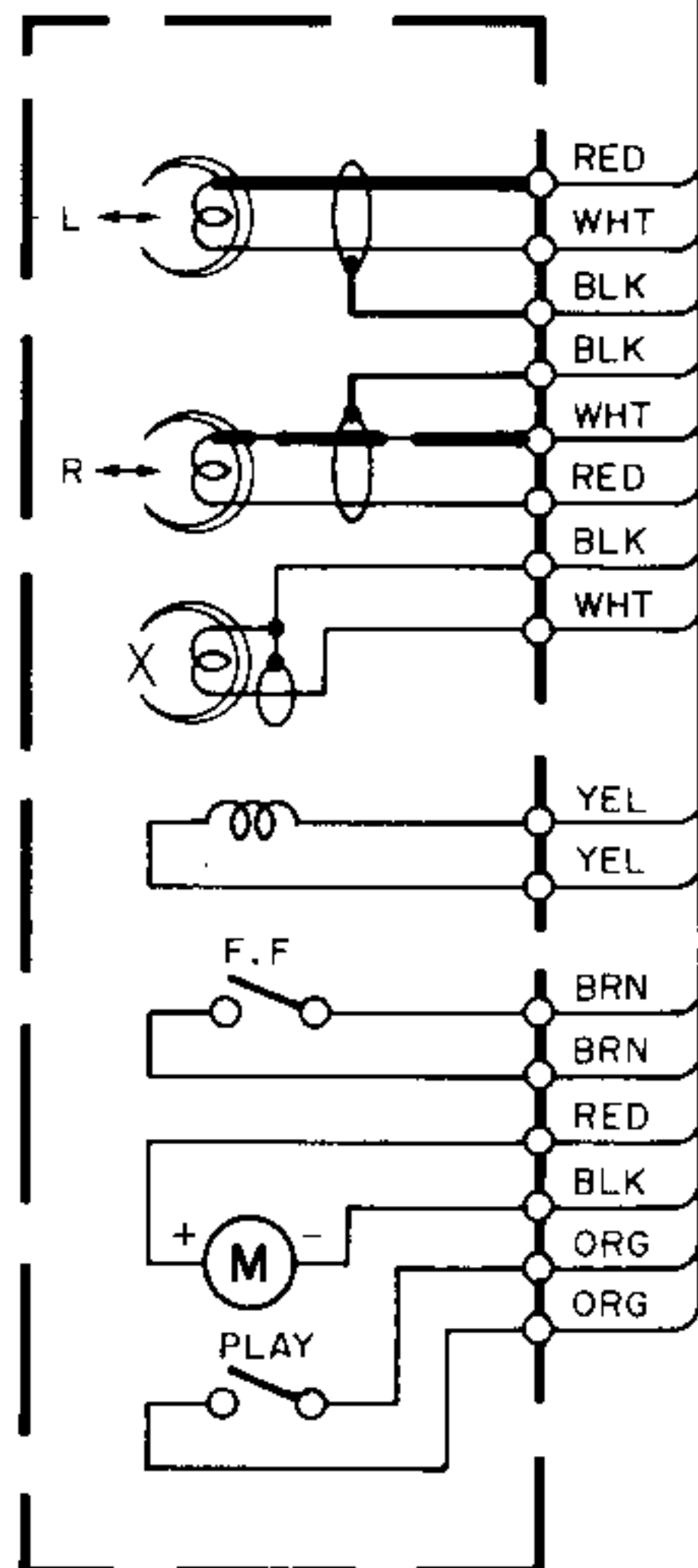
PLAYBACK AMP (X87-1060-02)



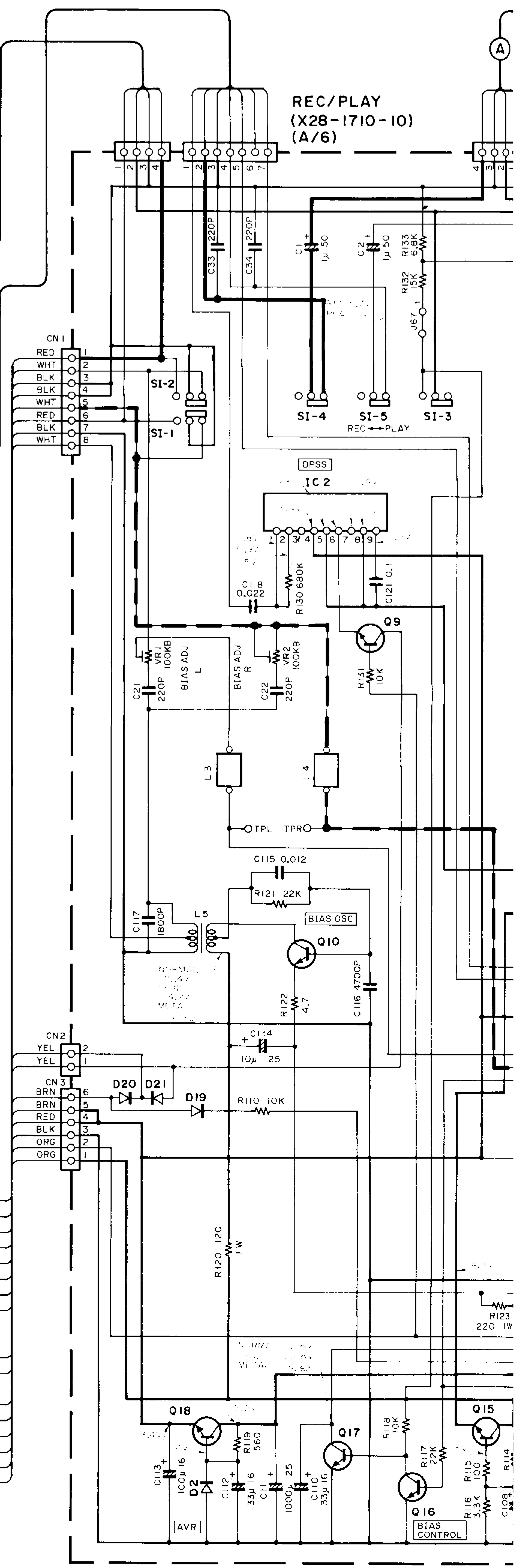
IC 1 : μ PC1228HA

- | | |
|------------------|-------------------------------------|
| IC 1 | : L78N18 |
| IC 2 | : AN6263N |
| IC 3 | : AN6888 |
| Q 1~6, 11~13, 16 | : 2SC1685(R,S) or 2SC1740S(Q,R) |
| Q 7, 8 | : 2SC1845(F,E)
or 2SC1980(S,T) |
| Q 9, 17 | : 2SC2320(E,F) |
| Q 10, 15 | : 2SD863(E,F)
or 2SC2060(Q,R) |
| Q 14 | : 2SA933S(Q,R)
or 2SA1127NC(R,S) |
| Q 18 | : 2SD882(Q,P,E)
or 2SD612K(E,F) |
| D 1 | : W02-5008L |
| D 2 | : RD15E(B) |
| D 3, 4, 7~16 | : B30-0431-05 |
| D 5 | : B30-1080-05 |
| D 6 | : B30-0432-05 |
| D 17~21 | : ISS133
or ISS176 |

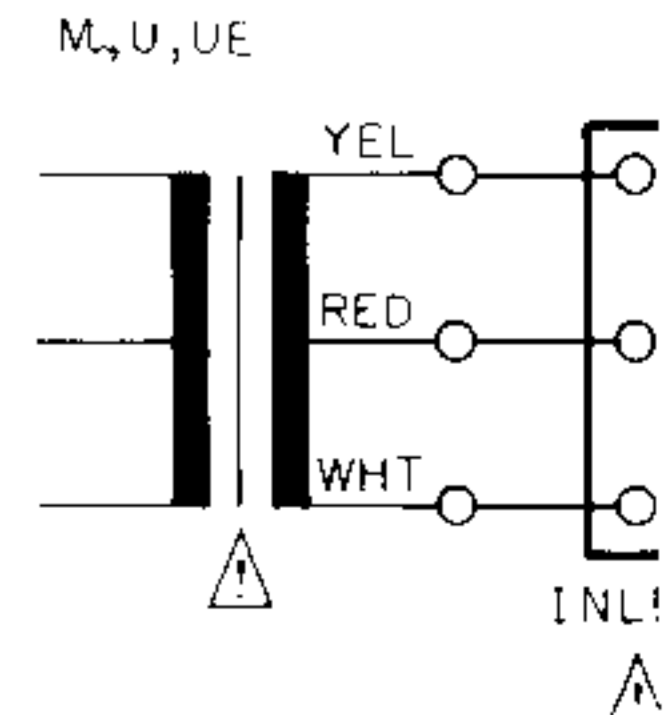
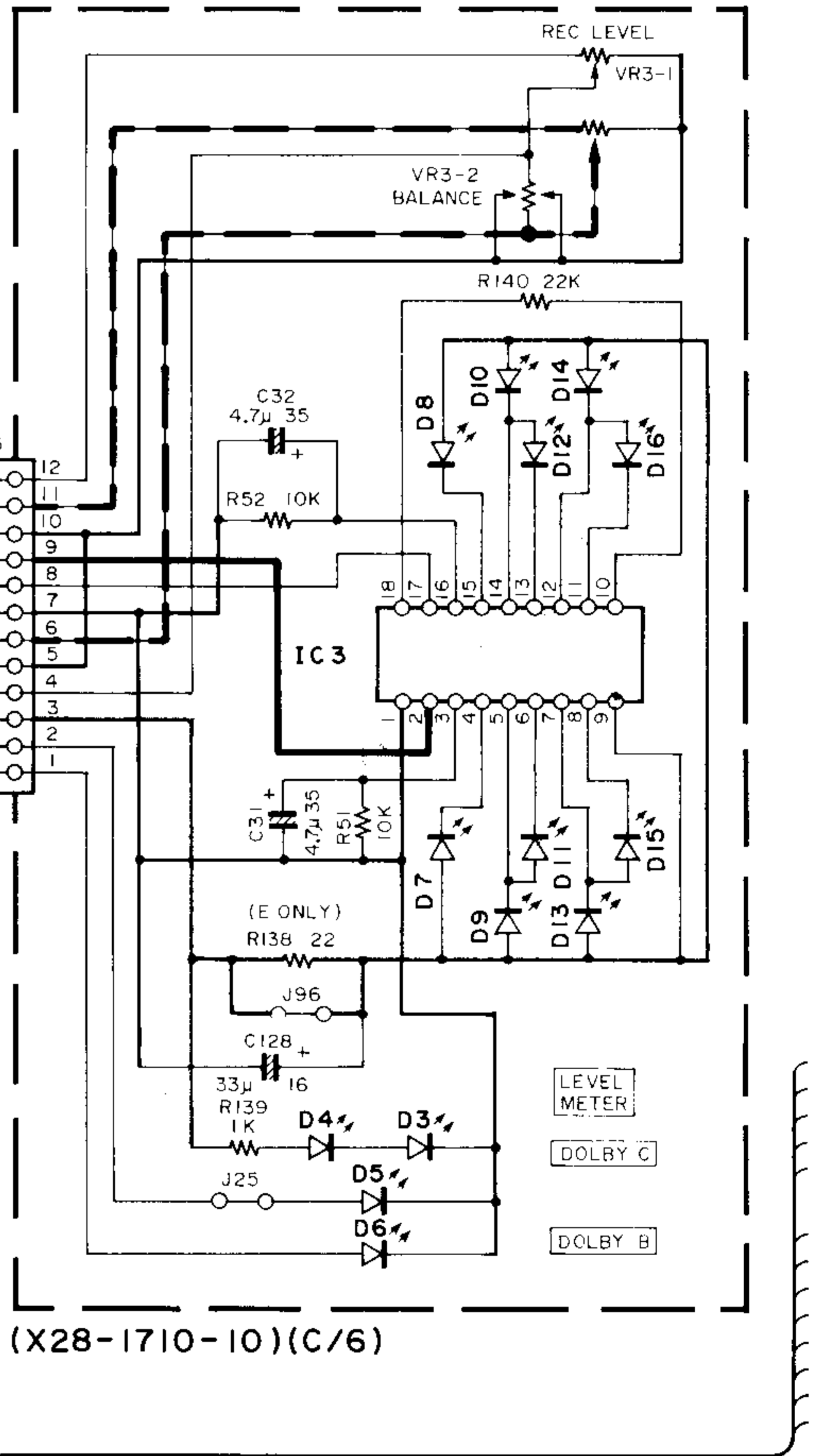
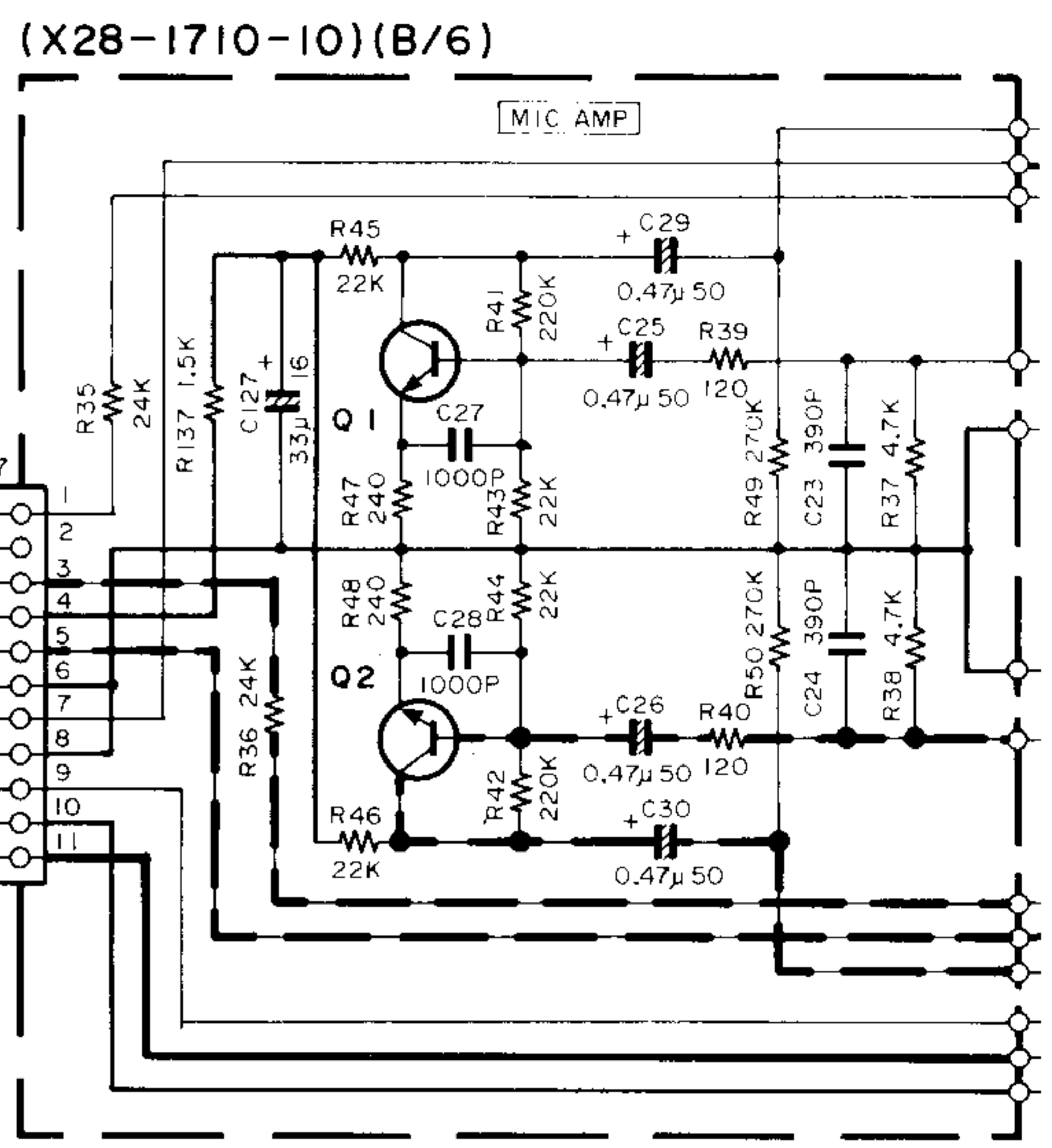
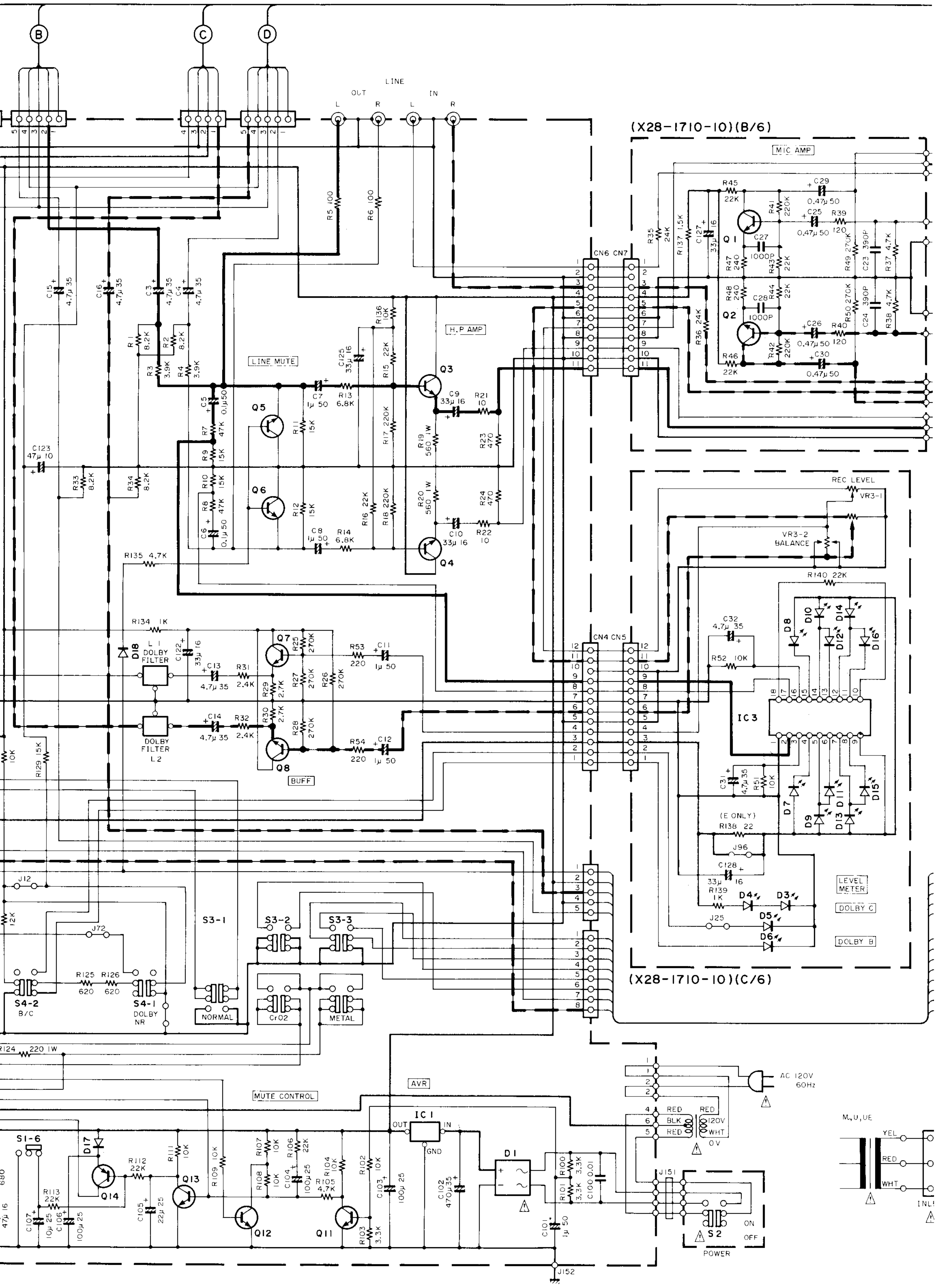
MECHANISM ASSY (D40-0336-05)

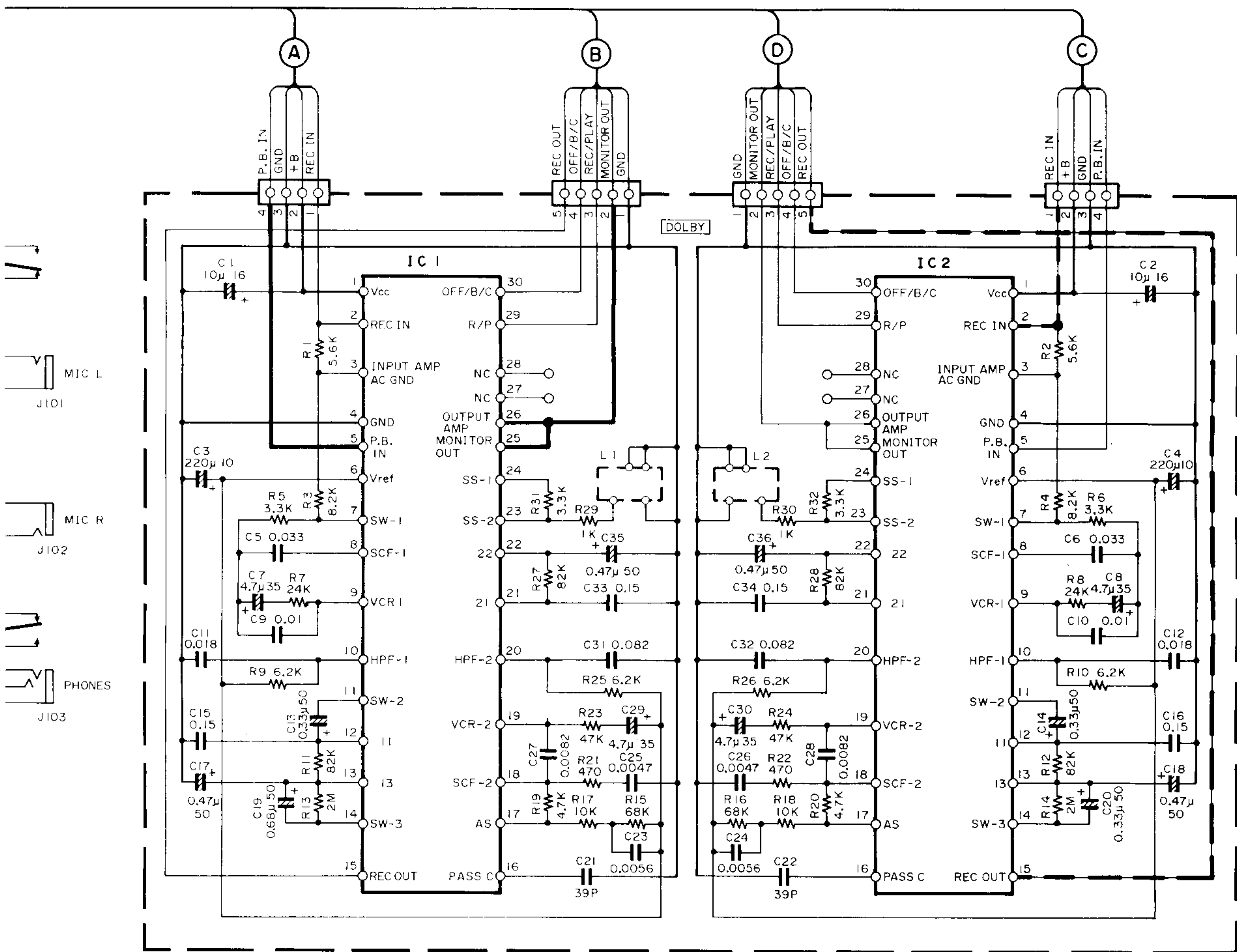


REC/PLAY (X28-1710-10) (A/6)



1
2
3
4
5
6
7

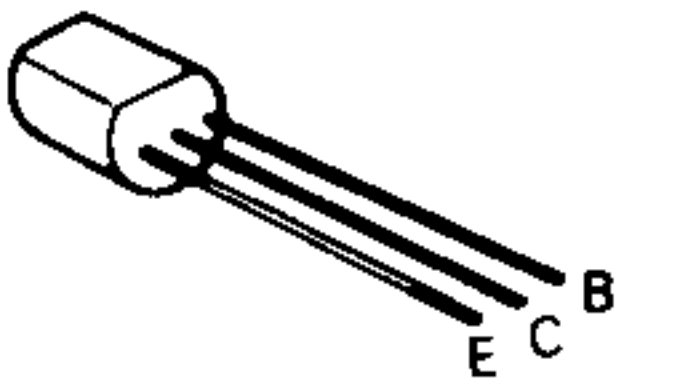




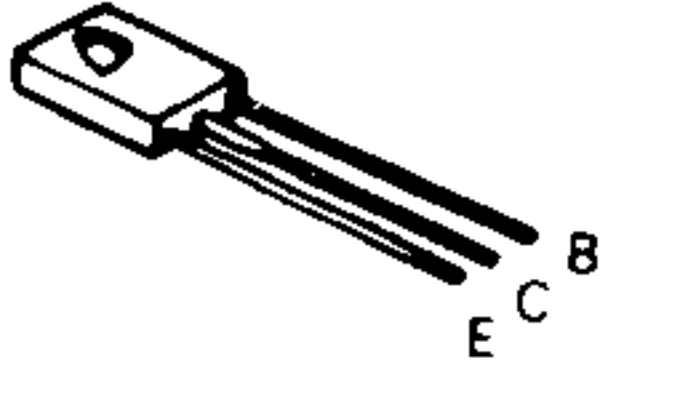
DOLBY NR (X87-1010-00)

IC 1,2 : HA12058NT

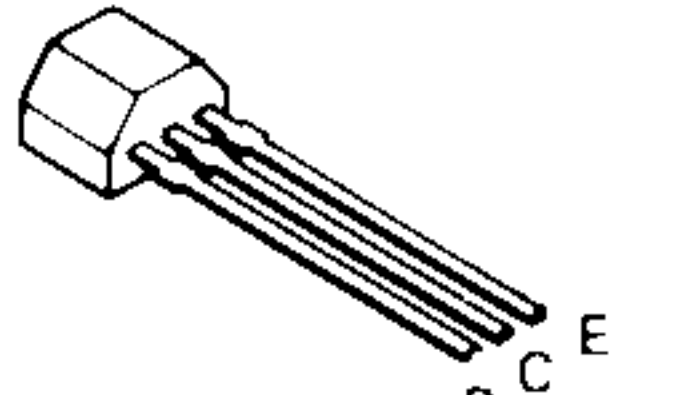
- 2SA1127NC
- 2SC1685
- 2SC1845
- 2SC1980
- 2SC2060
- 2SC2320
- 2SC945(A)
- 2SD863



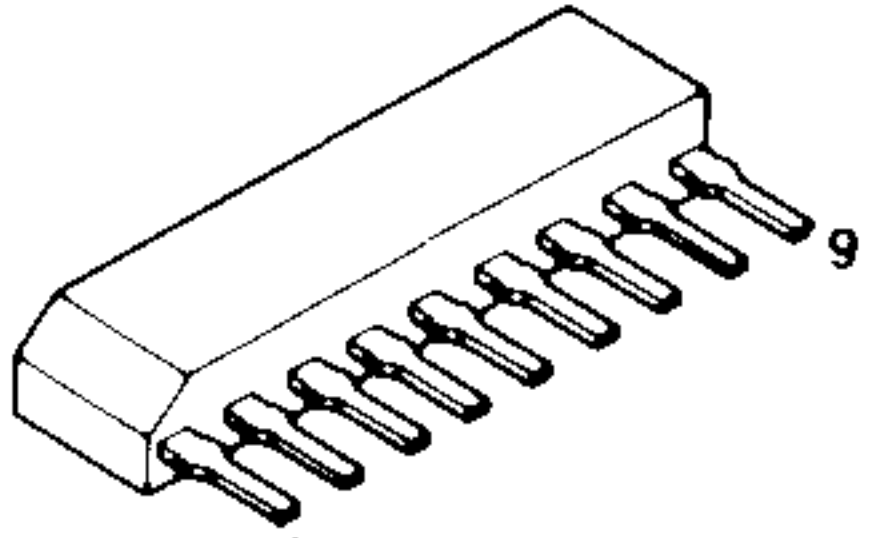
- 2SD612K
- 2SD882



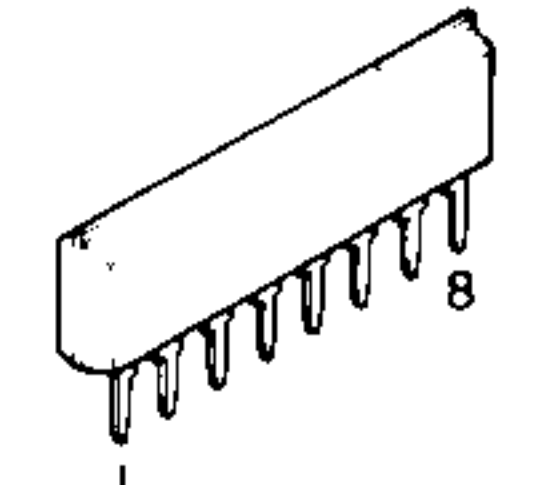
- 2SA933S
- 2SC1740S



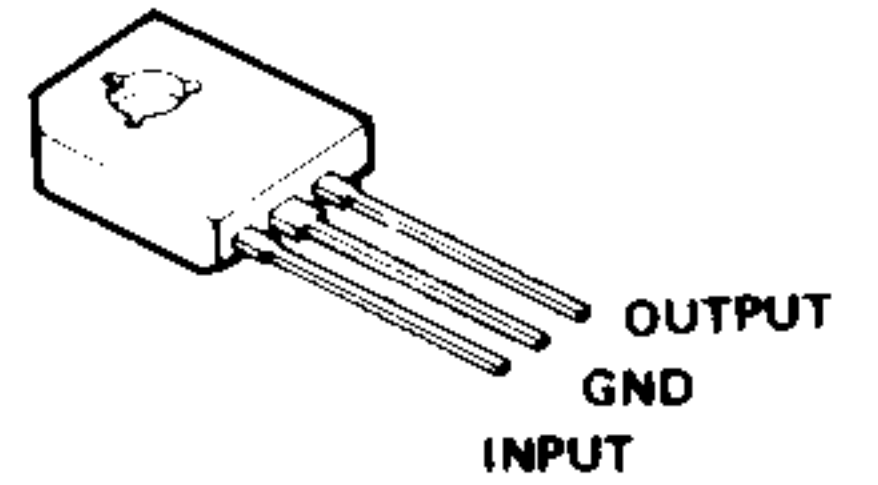
- AN6263N



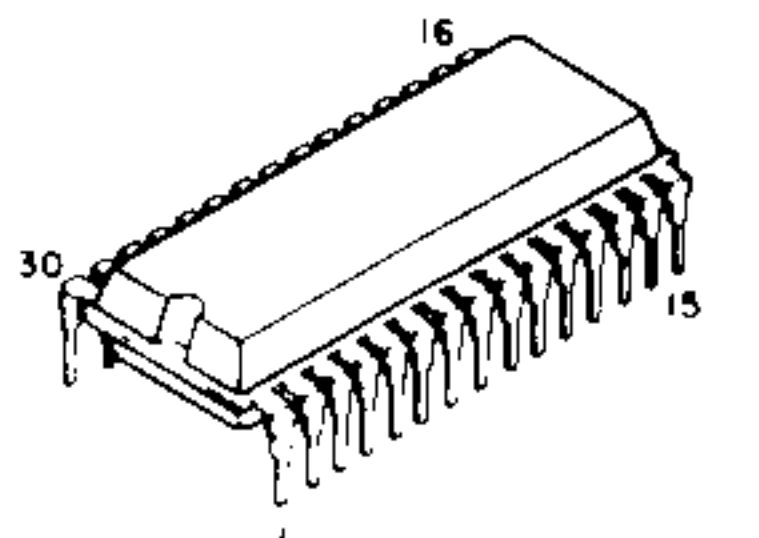
- μPC1228HA



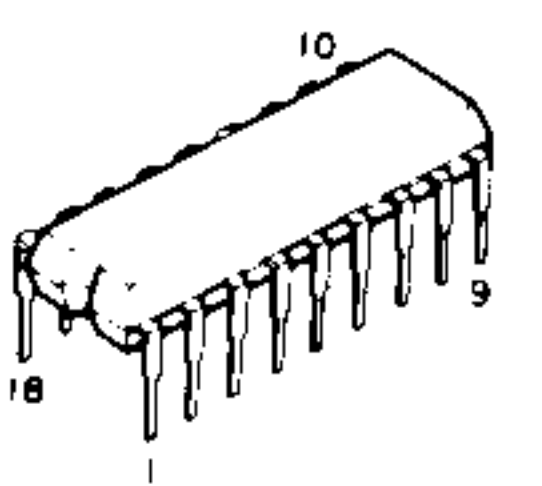
- L78N18



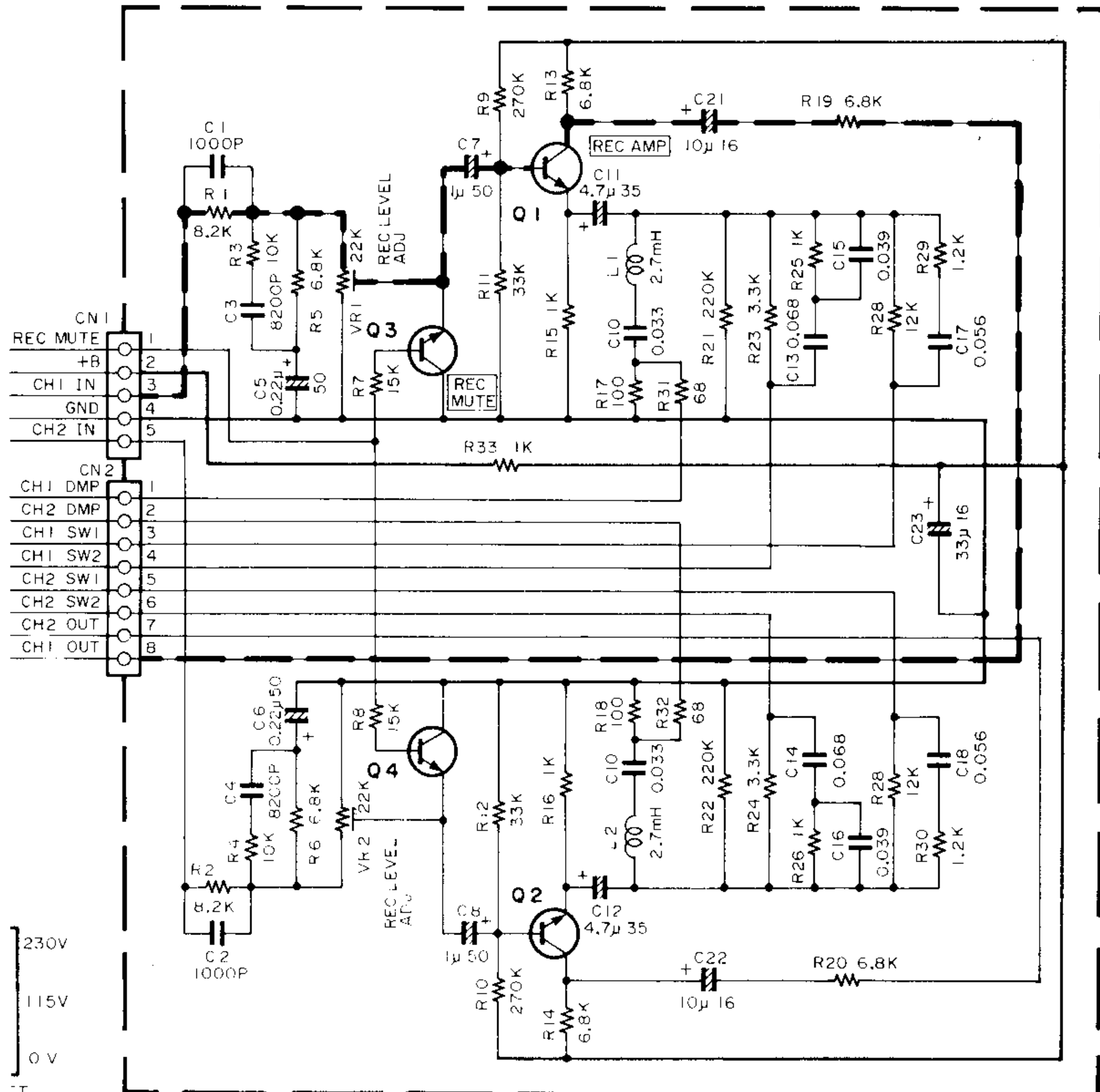
- HA12058NT



- AN6888



REC AMP (X87-1040-01)



- Q 1,2 : 2SC1845(F,E)
or 2SC1980(S,T)
- Q 3,4 : 2SC1740S(Q,R)
or 2SC945(A)(Q,P)
or 2SC1685(R,S)

CAUTION: For continued safety, replace safety critical components only with manufacturer's recommended parts (refer to parts list). Δ Indicates safety critical components. To reduce the risk of electric shock, leakage-current or resistance measurements shall be carried out (exposed parts are acceptably insulated from the supply circuit) before the appliance is returned to the customer.