

STEREO DOUBLE CASSETTE DECK

KX-W4080/W6080

SERVICE MANUAL

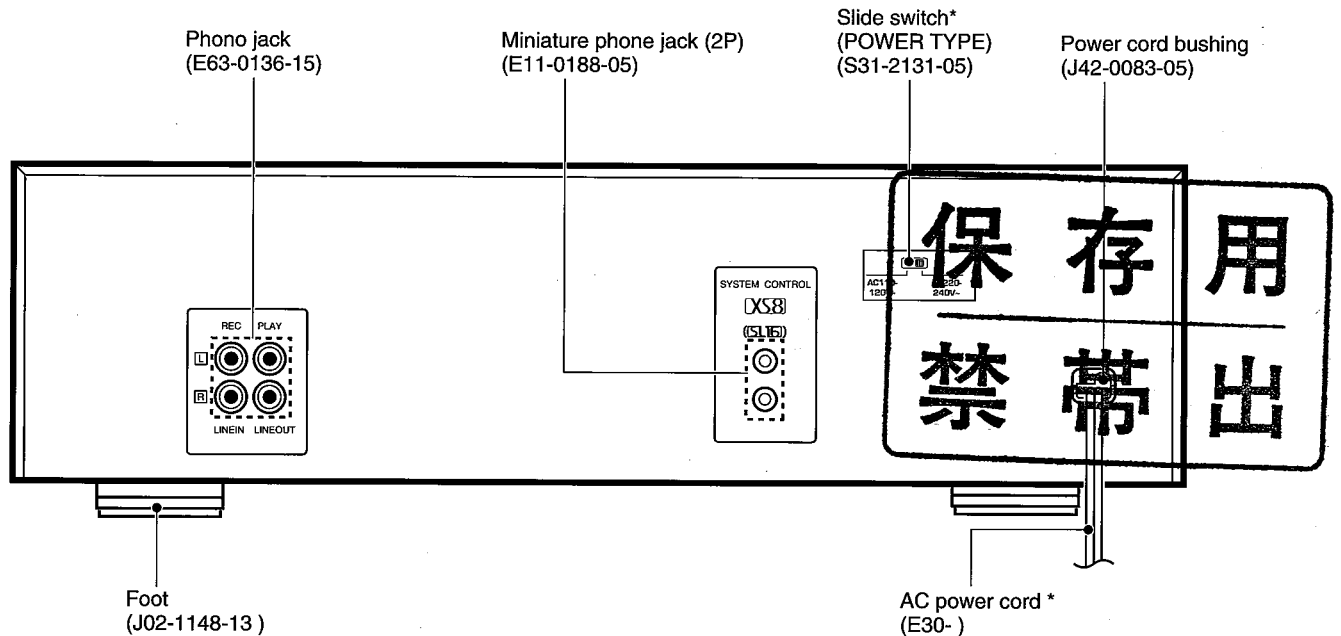
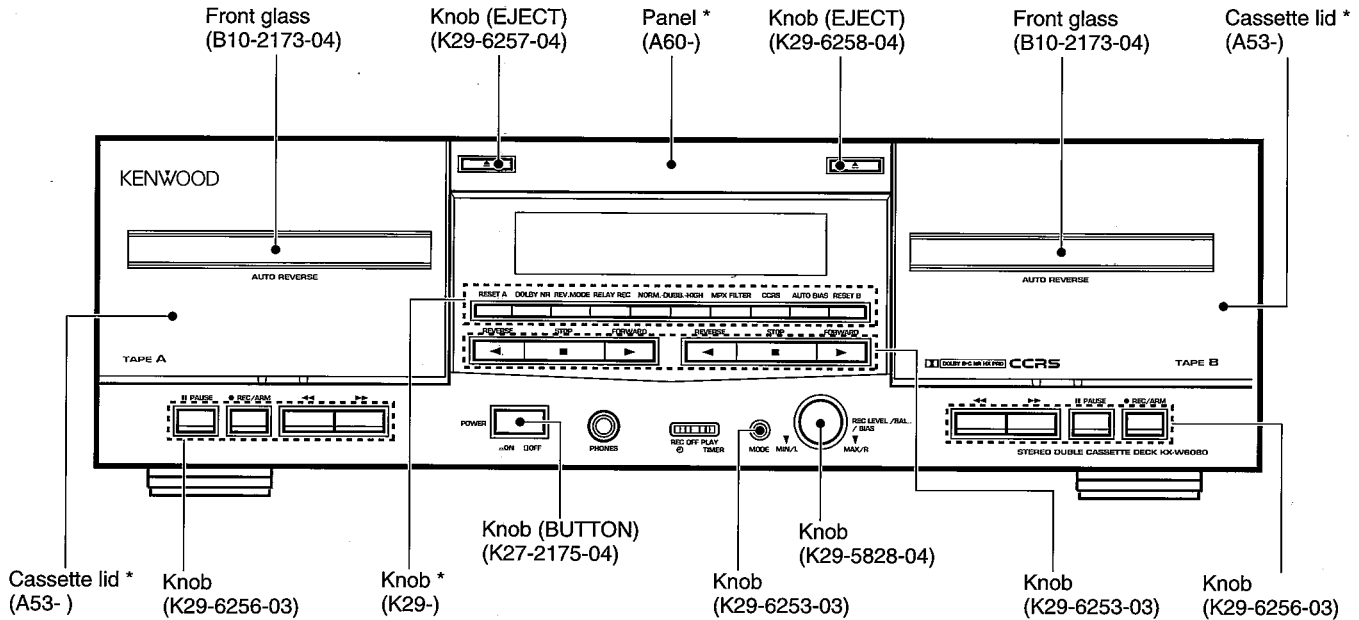
KENWOOD

96. 1. 29

© 1996-1 PRINTED IN KOREA
B51-5143-00 (K) 4002

15年保管

Illustration is KX-W6080.



* Refer to parts list on page 21.

PRECAUTIONS FOR REPAIR

Refer to KX-W4070/W6070 service manual(B51-5031-00), if you want to know more information of **CIRCUIT DESCRIPTION**.

CONTENTS / ACCESSORIES / CAUTIONS

Contents

CONTENTS / ACCESSORIES / CAUTIONS.....	2	EXPLODED VIEW	19
CONTROLS	3	PARTS LIST	21
ADJUSTMENT	5	PARTS DESCRIPTIONS	25
PC BOARD	9	SPECIFICATIONS.....	BACK COVER
SCHEMATIC DIAGRAM	11		

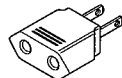
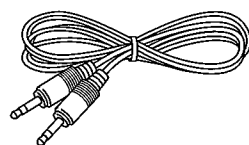
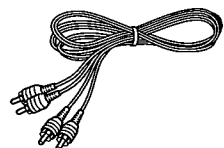
Accessories

Audio cord2
(E30-0505-05)

System control cord1
(E30-2816-05)

Except for U.S.A., Mexico, Canada,
U.K., Europe and Australia

AC plug adaptor1
(E03-0115-05)



Cautions

Beware of condensation

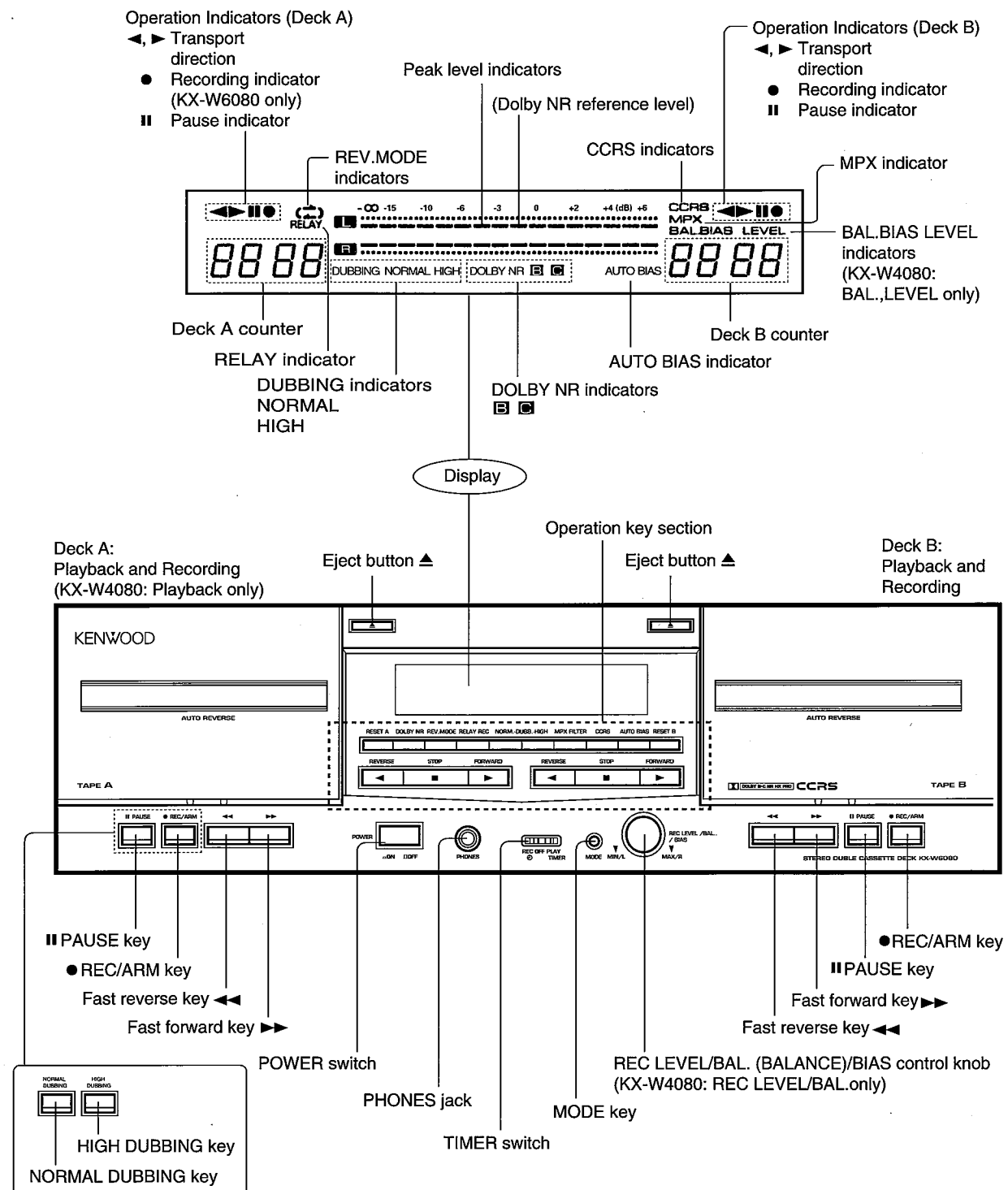
When water vapor comes into contact with the surface of cold material, water drops are produced. If condensation occurs, correct operation may not be possible, or the unit may not function correctly. This is not a malfunction, however, and the unit should be dried. (To do this, turn the POWER switch ON and leave the unit for several hours.)

Be especially careful in the following conditions:

- When the unit is brought from a cold place to a warm place, and there is a large temperature difference.
- When a heater starts operating.
- When the unit is brought from an air-conditioned place to a place of high temperature with high humidity.
- When there is a large difference between the internal temperature of the unit and the ambient temperature, or in conditions where condensation occurs easily.

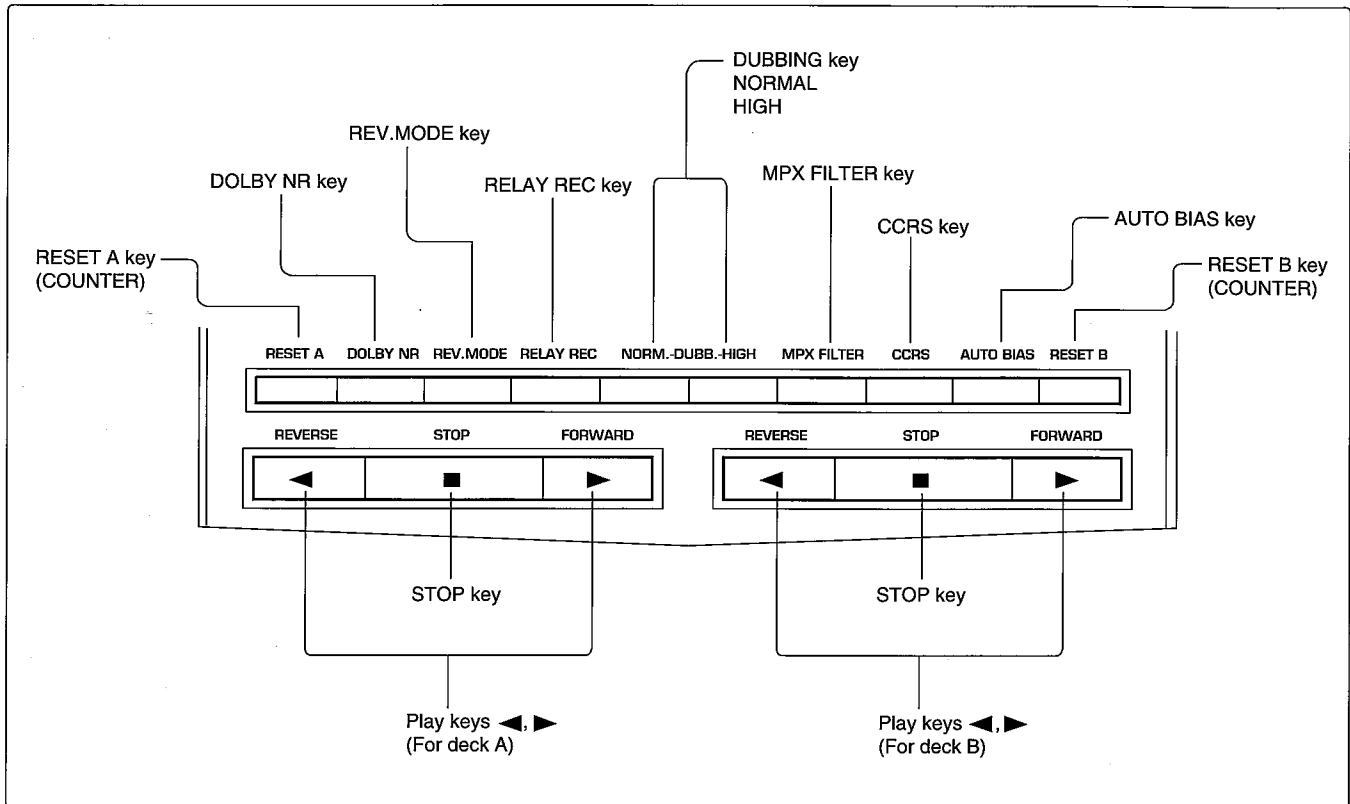
CONTROLS

This illustration shows the KX-W6080 model.

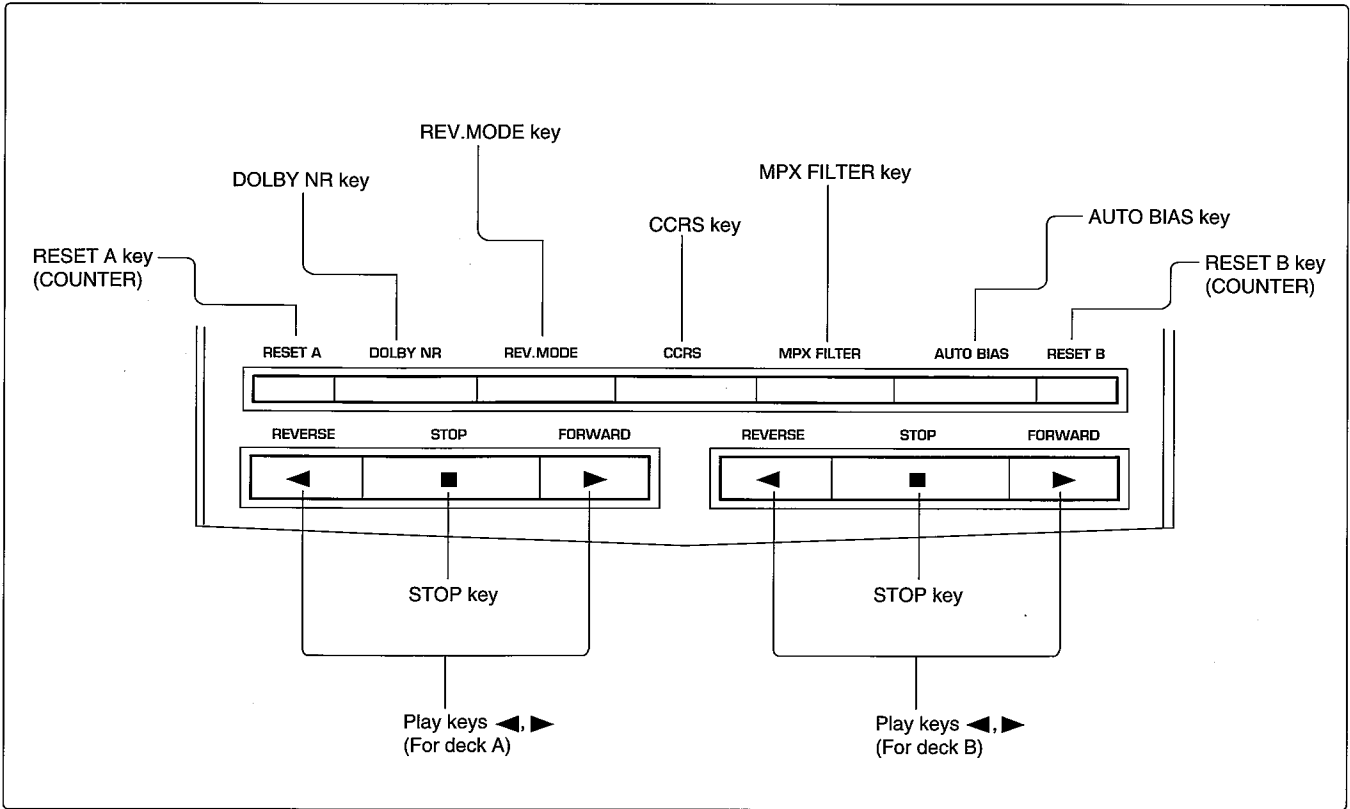


CONTROLS

■ Operation key section (KX-W6080)



■ Operation key section (KX-W4080)

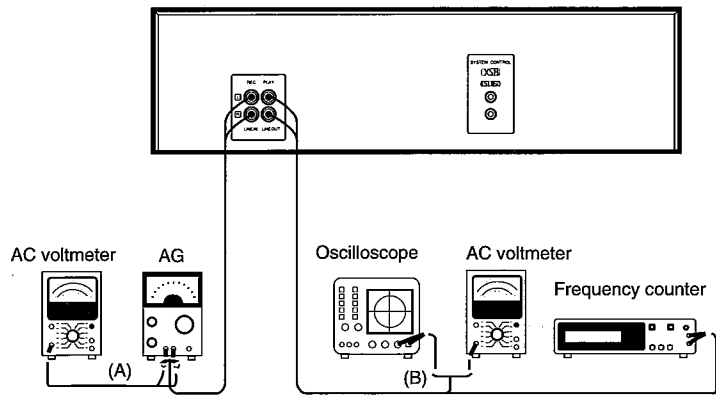


ADJUSTMENT

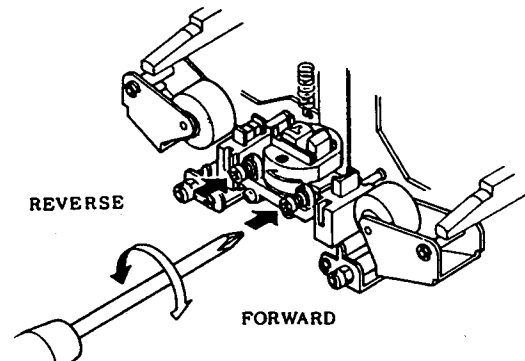
No.	ITEM	INPUT SETTING	OUTPUT SETTING	DECK SETTING	ALIGNMENT POINTS	ALIGN FOR	FIG.
Unless otherwise specified, set the respective switches as follows : TAPE : NORMAL, DOLBY : OFF 0dBs = 0.775V							
I. Cassette mechanism section (Adjustment of the REC/PLAY HEAD)							
(1)	DEMAGNETIZATION and CLEANING	—	—	POWER OFF Demagnetization Cleaning PLAY	REC/PLAY head Erase head Capstan Pinch roller	Demagnetize the REC/PLAY head with a head eraser. Clean the REC/PLAY head erase head, capstan and pinch roller using a cotton swab slightly damped with alcohol.	
(2)	AZIMUTH of the REC/PLAY HEAD	SCC-1727 TCC-153 MTT-114 10kHz, -10dB	—	PLAY	 RVS FWD	Adjust the output to maximum and adjust the azimuth adjustment screw for the Lissajous waveform pattern of the oscilloscope to become close to a 45° straight line.	(a)
II. PC BOARD adjustment Note : Carry out the high-speed adjustment in the first place.							
[1]	TAPE SPEED (HI SPEED)	SCC-1727 TCC-110 MTT-111 3kHz	—	*TEST MODE	VR1 (A) VR2 (B)	Adjust the tape speed so that 6kHz is obtained at the center of the tape.	
[2]	TAPE SPEED (NORMAL)				VR3 (A) VR4 (B)	Adjust the tape speed so that 3kHz is obtained at the center of the tape.	

*Short circuit TP5, TP6 by diode (TP5 ← TP6) and turn the POWER ON. FF key : High-speed, PLAY key : Normal-speed.

System connections

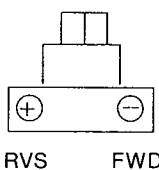


(a) Azimuth adjustment screw



*Please refer to Automatic Adjustment for Playing, Recording, BIAS level adjustment.

AJUSTES

Orden	ítem	Ajuste de entrada	Ajuste de salida	Ajuste de la platina	Puntos de ajuste	Método de ajuste	Fig.
A menos que se indique lo contrario, ajustar los interruptores respectivos de la manera siguiente : 0dBs = 0.775V TAPE : NORMAL, DOLBY : OFF							
I. sección del mecanismo de la cassette (ajuste de la cabeza de GRABACION/ REPRODUCCION)							
(1)	DEMAGNETIZACION y LIMPIEZA	—	—	ALIMENTACION: apagado, desmagnetización, REPRODUCCION	Cabezas de GRABACION/ REPRODUCCION, cabezas de borrado, ejes de arrastre, rodillos presores	Demagnetizar las cabezas de grabación/reproducción con un borrador de cabezas. Limpiar las cabezas de grabación/reproducción, cabezas de borrado, ejes de arrastre y rodillos presores con un bastoncillo de algodón humedecido en alcohol.	
(2)	ACIMUT de la cabeza de GRABACION/ REPRODUCCION	SCC-1727 TCC-153 MTT-114 10kHz, -10dB	—	REPRODUCCION (PLAY)	 RVS FWD	Ajustar la salida al nivel máximo y regular el tornillo de ajuste del acimut para la forma de onda de Lissajous del osciloscopio de manera que sea lo más cerano posible a una línea recta de 45°.	(a)
II. Ajuste de la tarjeta circuit impreso Nota : Efectuar primero el ajuste de la alta velocidad.							
[1]	VELOCIDAD DE LA CINTA (ALTA VELOCIDAD)	SCC-1727 TCC-110 MTT-111 3kHz	—	*MODE DE PRUEBA	PLATINA A:VR1 PLATINA B:VR2	Ajustar de manera que la hasta obtener un nivel de 6kHz en el centro de la cinta.	
[2]	VELOCIDAD DE LA CINTA (NORMAL)	—	—	—	PLATINA A:VR3 PLATINA B:VR4	Ajustar de manera que la hasta obtener un nivel de 3kHz en el centro de la cinta.	

*Cortocircuitar (en el diodo) TP5 y TP6 y alimentar energía. Tacia FF: alta velocidad ; tacia de reproducción: vecidad normal.
(TP5 ← TP6)

ADJUSTMENT

Playback Level & REC Level Adjustment

1. Automatic adjustment

• Playback level adjustment

1. Turn the POWER OFF (AC OFF).
2. Insert the TCC-130 into respective deck A or B.
3. Short TP4-TP6 and turn the AC plug receptacle ON.
4. When "END P" is displayed in FL, adjustment is complete.
If an error occurs, it will display the location causing the "CAL E", "PL E", etc.
Turn the POWER OFF (AC OFF) or the REC PAUSE key twice (one press is for the test mode) to return to normal operation.

• Recording level and bias adjustment

1. Turn the POWER OFF (AC OFF).
2. Insert the TCC-106A into deck B.
3. Short TP4-TP6 and turn the AC plug receptacle ON.
4. When "END" is displayed in FL, adjustment is complete.
If an error occurs, it will display the location causing the "RL E", "BL E", etc.
Turn the POWER OFF (AC OFF) or the PAUSE key twice (one press is for the test mode) to return to normal operation.

• Indication items of FL tube

- END P Normal completion state of playback level adjustment mode.
 END Normal completion state of all (playback/REC level) adjustment mode.
 CAL E Lch ERR state of sensitivity correction.
 CAR E Rch ERR state of sensitivity correction.

Counter A

- PL E Lch ERR state of A PB adjustment.
 PR E Rch ERR state of A PB adjustment.

Counter B

- PL E Lch ERR state of B PB adjustment.
 PR E Rch ERR state of B PB adjustment.

Counter B

- RL E Lch ERR state of B REC EQ adjustment.
 RR E Rch ERR state of B REC EQ adjustment.

Counter B

- BL E Lch ERR state of B BIAS adjustment.
 BR E Rch ERR state of B BIAS adjustment.

NOTE :

- The playback level can be adjusted independently for A or B. The procedure in this case as well is as in the above procedure.
- Turn off the display to suppress power fluctuations and other such problems during automatic adjustment.

- The playback level adjustment is done with the DOLBY level as the standard value, so be sure to use a 200nWb/m (315Hz or 400Hz) tape.

2. Manual adjustment

• Playback level adjustment

1. Turn the POWER OFF (AC OFF).
2. Turn the AC plug receptacle ON while shorting the TP7-TP6. Then open TP7-TP6.
3. Insert the TCC-130 into deck A and play.
4. Deck A Lch level adjustment
The initial FL display is "PL 00". The "00" displays the step number. Since the initial value is set at 30, adjust it at this setting by turning the REC LEVEL (∇) key.
Adjustment level : TCC-130 (200nWb/m) → -1dBs (690mV). When using 160nWb/m or 250nWb/m tapes set to 4dBs and 0dBs respectively.
5. Press the DUBB NOR key.
6. When the DISPLAY key is pressed, the display switches to the "PR 00".
7. Deck A Rch level adjustment : Same as Lch
8. Press the DUBB NOR key.
9. Press the DISPLAY key.
10. Insert the TCC-130 into deck B and play.
11. Deck B Lch level adjustment
12. Press the DUBB NOR key.
13. Press the DISPLAY key.
14. Deck B Rch level adjustment
15. Press the DUBB NOR key.
16. Press the DISPLAY key.

• Recording level and bias adjustment

1. Insert the recording tape into deck B (A BEX TCC-108A or TDK AC-225) and set the AG to 400Hz.
2. Press the REC key to start recording and adjust the AG so that the output becomes -20dBs.
(If you press the PAUSE key at this time, manual adjustment will be cancelled, so be careful.)
Playback the recorded tape and turn the level volume so that the output becomes -20dBs.
(It changes about 0.2dB with each step.)
Lch REC level adjustment.
3. Press the DUBB NOR key.
4. Press the DISPLAY key.
5. Rch REC level adjustment : Same as Lch
6. Press the DUBB NOR key.
7. Press the DISPLAY key.
8. Set the AG to 125kHz, then press the REC key to begin recording. Adjust yhe AG so that the output becomes -20dBs. Playback the recorded tape and adjust the level volume so that the output becomes -20dBs.

KX-W4080/W6080

ADJUSTMENT

(It changes about 0.4dB~0.5dB with each step.)

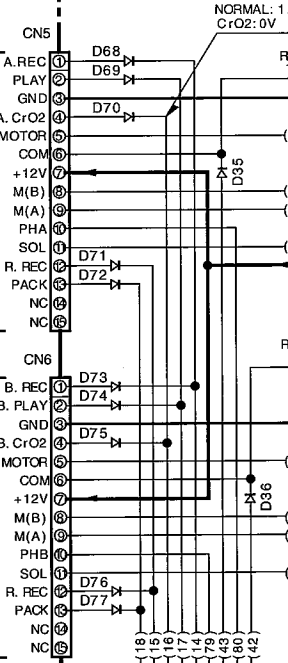
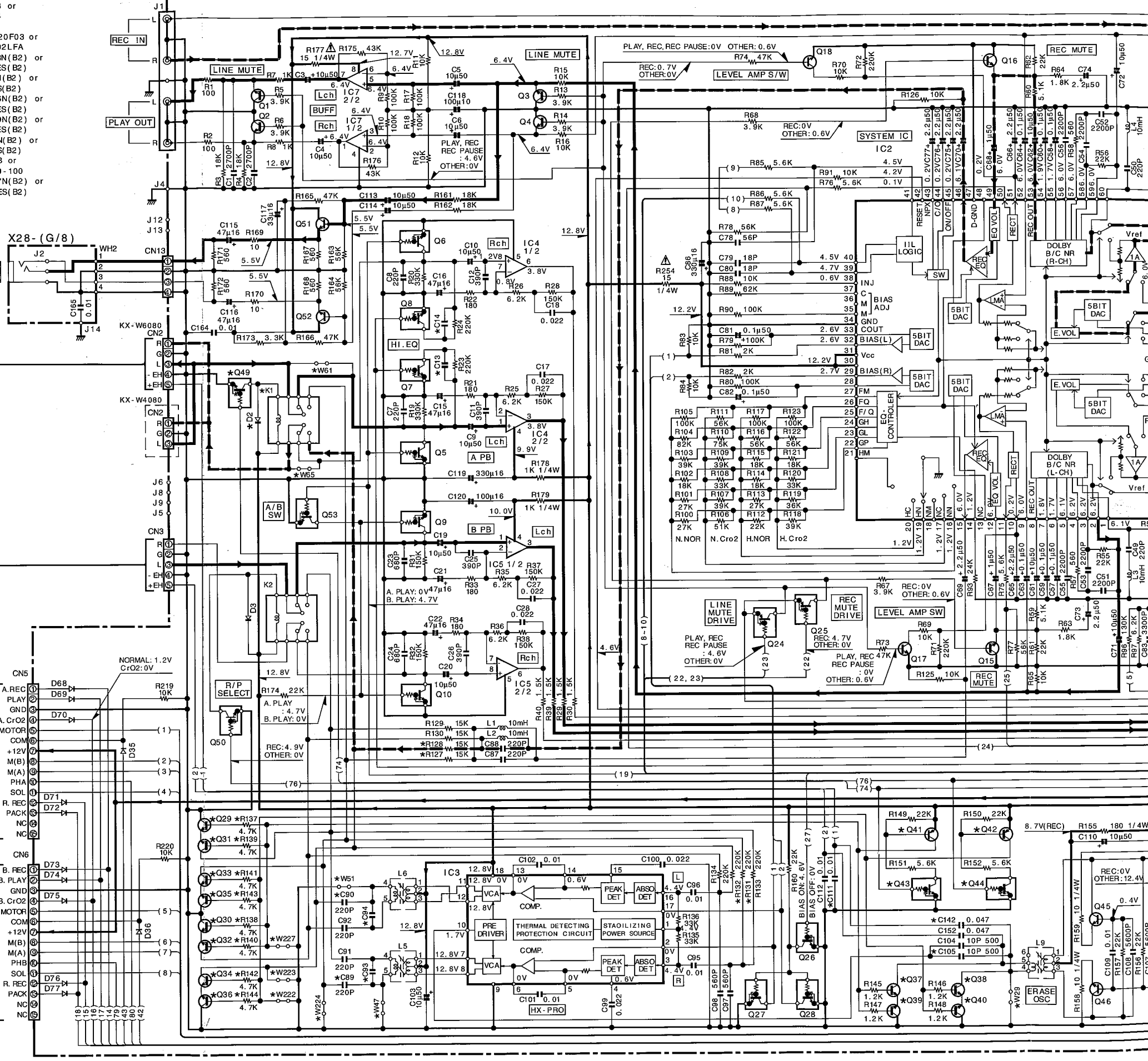
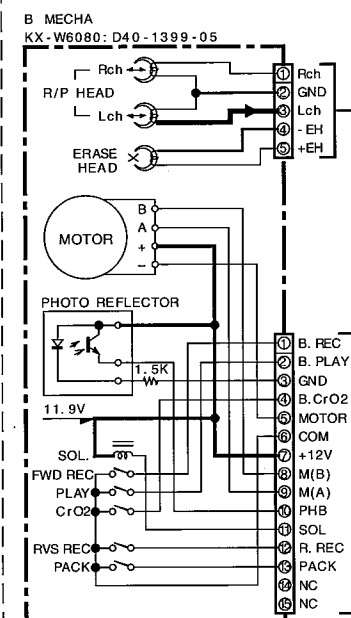
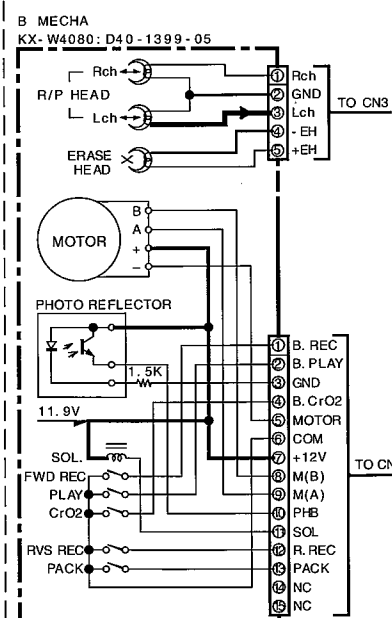
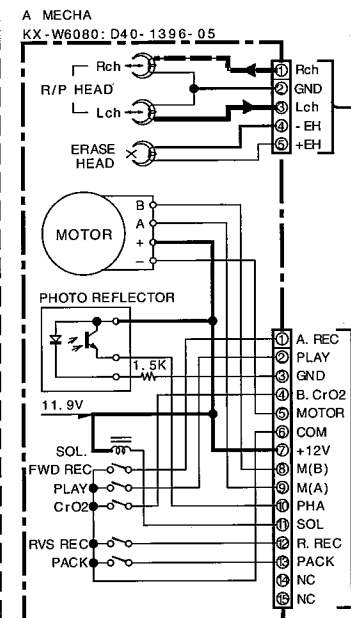
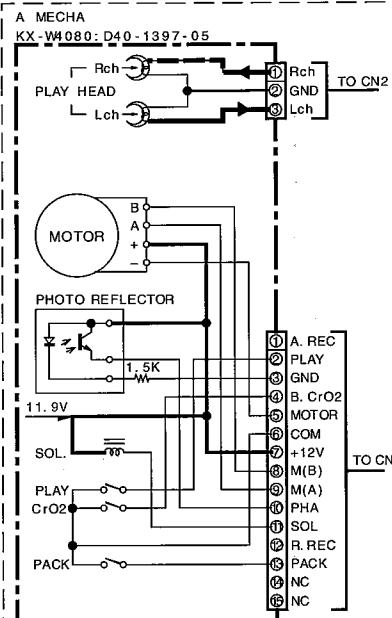
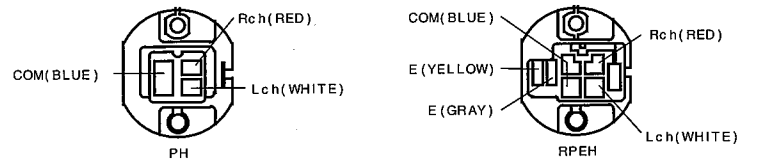
Lch REC bias adjustment.

9. Press the DUBB NOR key.
10. Press the DISPLAY key.
11. Deck B Rch bias adjustment
12. Press the DUBB NOR key.

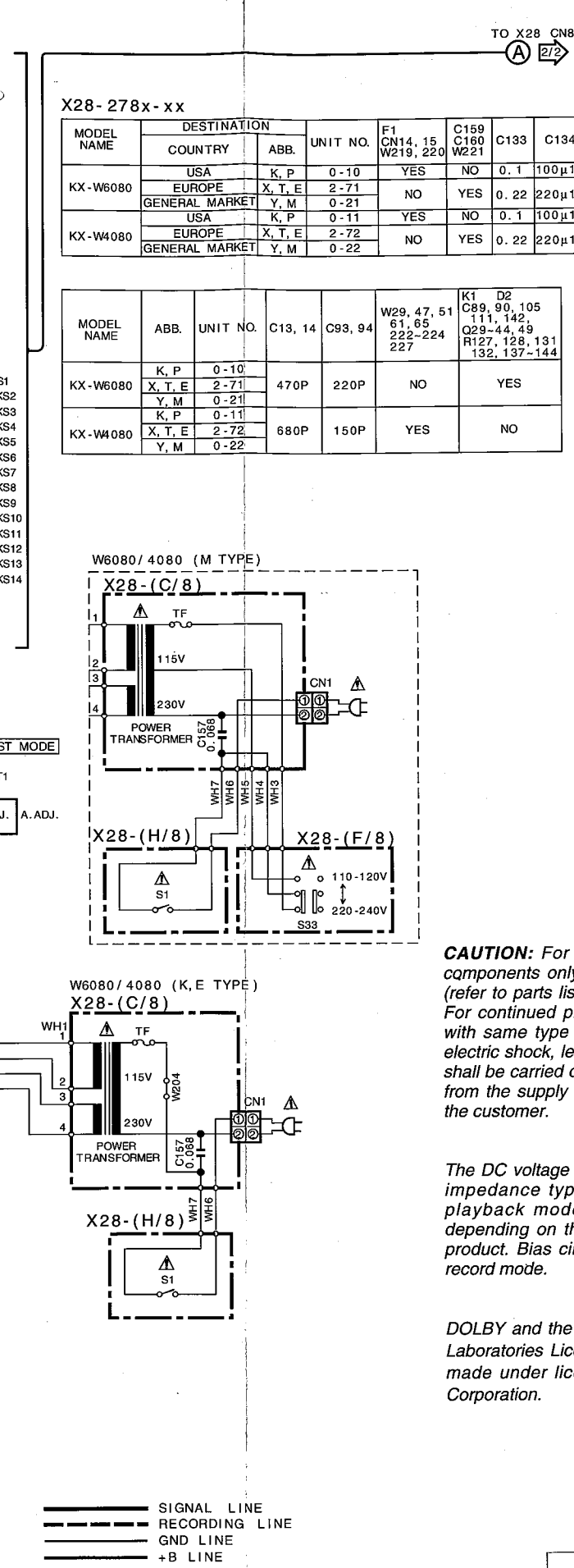
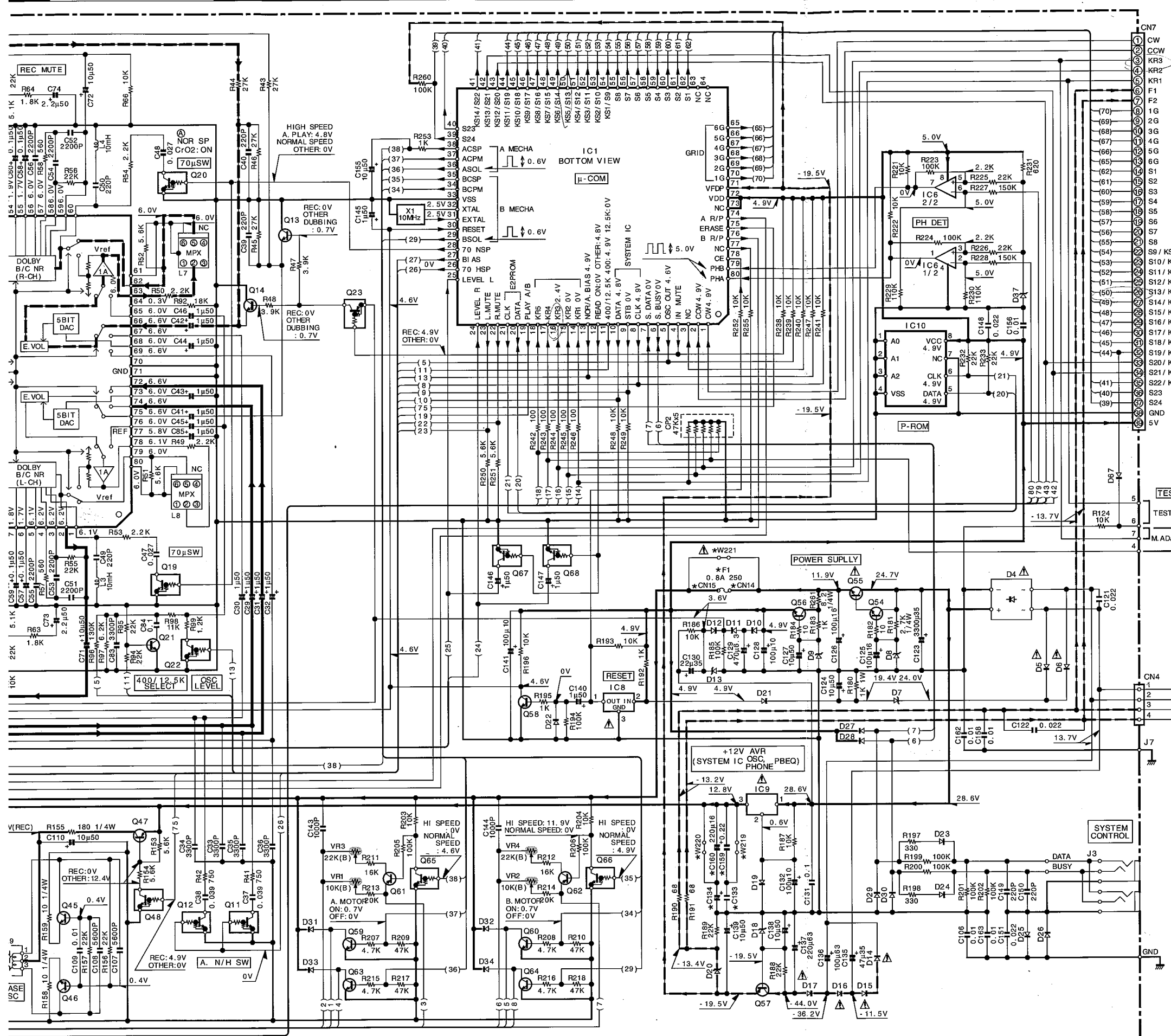
NOTE :

- The PAUSE key cancels the Adjustment mode, so do press it during adjustment.
- When adjusting manually, the DUBB NOR key and DUBB HIGH key respectively become the MODE WRITE and ALL WRITE keys, so you need not press the DUBB NOR key for each adjustment mode and can just press the DUBB HIGH key when all the adjustments have been completed.
- When manual adjustment is turned on, all the adjustment data is initialized, so whether or not you make an adjustment, at the end, after writing data, you should cancel using the DUBB HIGH key or another key.

IC1 : CXP82540-136Q	Q1-4, 15, 16	: 2SD1450(S, T)	D2, 3, 5, 6, 10-12	: 1SS133 or
IC2 : HA12167FB	Q5-12, 19, 20, 22	: DTC124ES or	14-17, 19, 21-30	: HSS104
IC3 : UPC1297CA	Q26-28, 43, 44	: UN4212		
IC4, 5 : TA8125S	Q48-50, 53, 65-68		D4	: D3SBA20F03 or
IC6 : BA10393	Q13, 14, 17, 18	: 2SC3311A(Q, R) or	D7	: RBV-402LFA
IC7 : NJM4558D	Q21, 45, 46, 58	: 2SC2458(Y, GR)	D8	: RD6. 8ES(B2) or
IC8 : S-806D-Z	Q23-25	: DTA124ES or	D9, 20	: RD5. 6ES(B2) or
IC9 : BA17812T or	Q29-36, 51, 52, 54	: UN4112	D13	: RD3. 9ES(B2) or
IC10 : XL24C01AP	Q37-40	: 2SC1845(F, E)	D18	: RD20N(B2) or
	Q41, 42	: 2SC2003(L, K)	D31-34	: S5688B or
	Q47	: 2SA992(F, E)	D37	: 1SR139-100
	Q55	: 2SA1534A(R, S)		: RD2. 7ES(B2)
	Q56, 59, 60, 63, 64	: 2SD2374		
	Q57	: 2SC3246		
	Q61, 62	: 2SA1535A		
		: 2SA1309A(Q, R) or		
		: 2SA1048(Y, GR)		



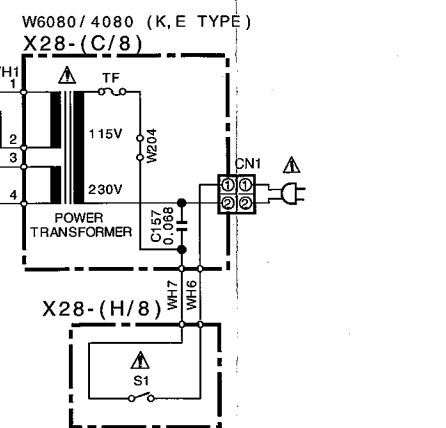
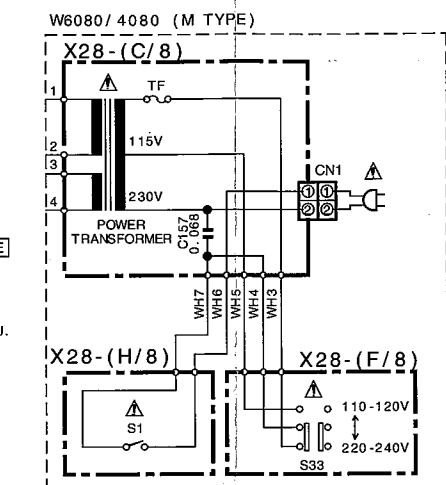
1
2
3
4
5
6
7



X28-278x-xx

MODEL NAME	DESTINATION		UNIT NO.	F1 CN14, 15 W219, 220	C159 C160 W221	C133	C134
	COUNTRY	ABB.					
KX-W6080	USA	K, P	0-10	YES	NO	0.1	100μ16
	EUROPE	X, T, E	2-71	NO	YES	0.22	220μ16
	GENERAL MARKET	Y, M	0-21	NO	YES	0.1	100μ16
KX-W4080	USA	K, P	0-11	YES	NO	0.1	100μ16
	EUROPE	X, T, E	2-72	NO	YES	0.22	220μ16
GENERAL MARKET	Y, M	0-22	NO	YES	0.22	220μ16	

MODEL NAME	ABB.	UNIT NO.	C13, 14	C93, 94	W29, 47, 51 61, 65 222-224 227	K1 D2 C89, 90, 105 111, 142, Q29-44, 49 R127, 128, 131 132, 137-144
KX-W4080	X, T, E	2-71				
	Y, M	0-21				
KX-W4080	K, P	0-11	680P	150P	YES	NO
	X, T, E	2-72				
KX-W4080	Y, M	0-22				



CAUTION: For continued safety, replace saf components only with manufacturer's recomme (refer to parts list). Δ indicates safety critical cc For continued protection against risk of fire, re with same type and rating fuse(s). To reduce electric shock, leakage-current or resistance me Δ shall be carried out (exposed parts are acceptabl from the supply circuit) before the appliance is the customer.

The DC voltage is an actual reading measured impedance type voltmeter with a cassette playback mode. The measurement value depending on the measuring instruments usec product. Bias circuit DC voltage is measured v record mode.

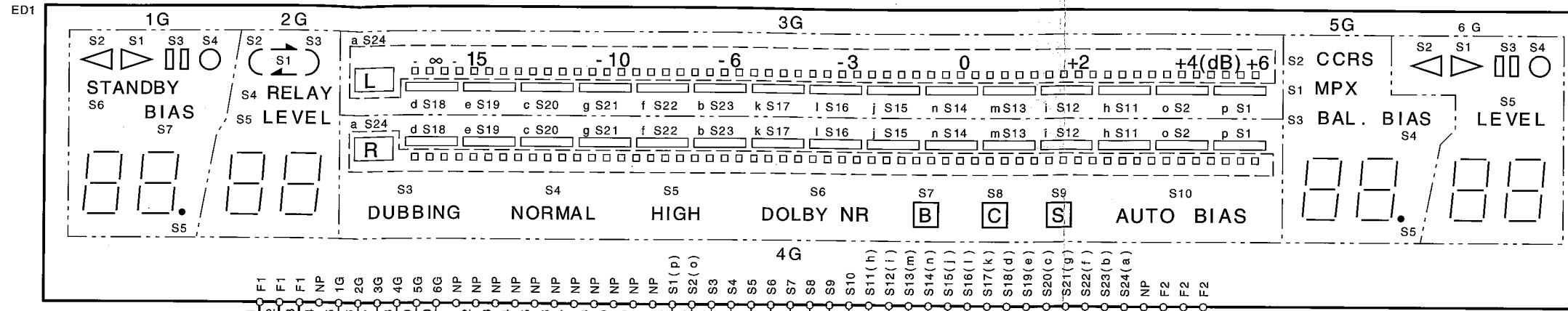
DOLBY and the double-D symbol are trademark Laboratories Licensing Corporation. Noise redu made under license from Dolby Laboratories Corporation.

KX-W6080/4080 (K) (1/2)

Y26-4100-10

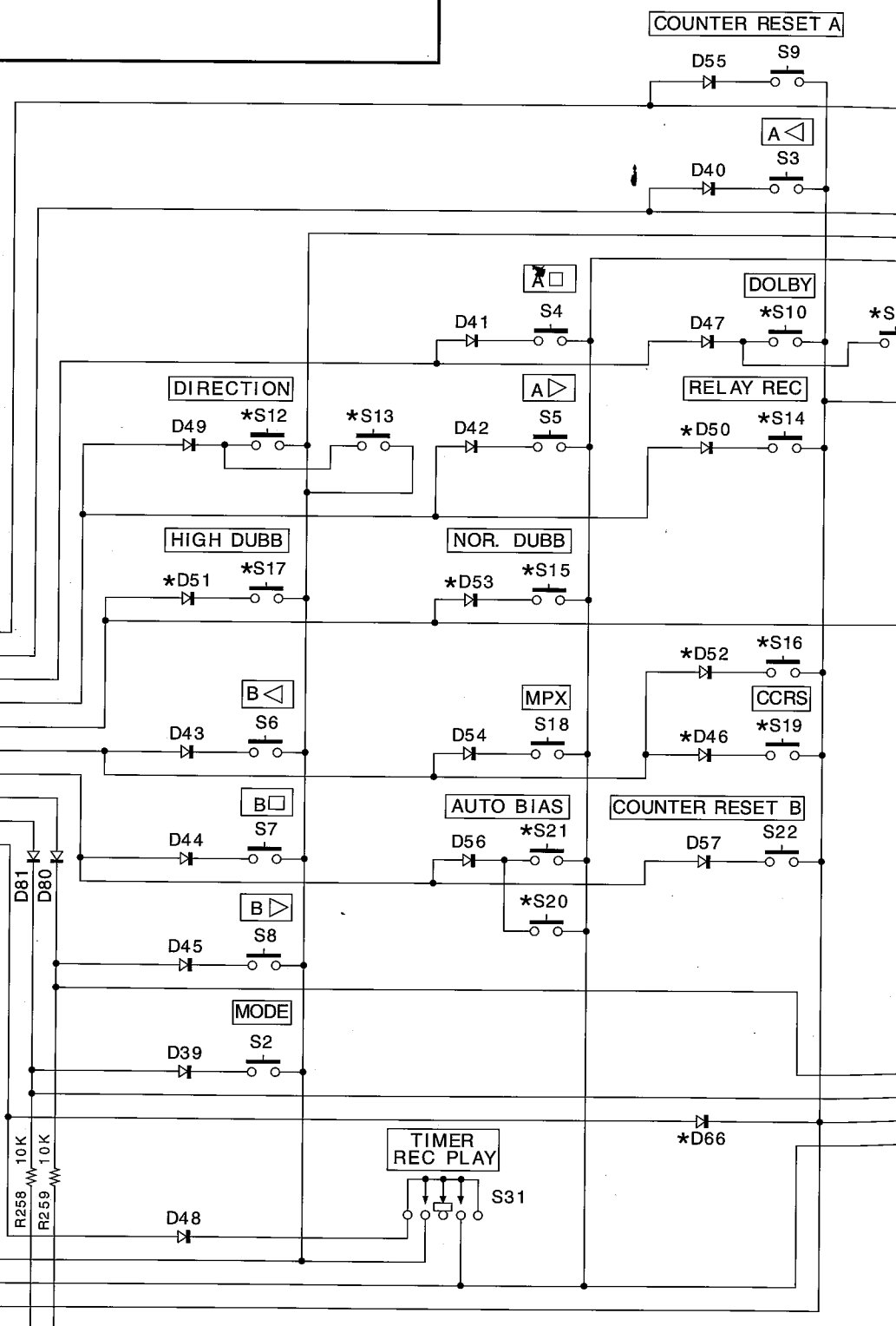
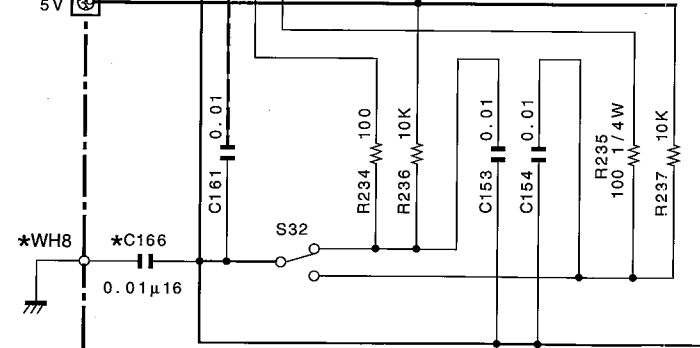
KX-W4080
KENWOOD

X28-278x-xx (B/8)



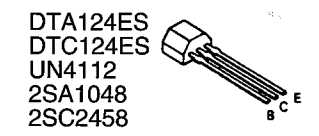
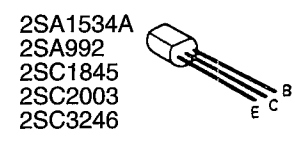
- CN8
- CW ①
- CCW ②
- KR3 ③
- KR2 ④
- KR1 ⑤
- F1 ⑥
- F2 ⑦
- 1G ⑧
- 2G ⑨
- 3G ⑩
- 4G ⑪
- 5G ⑫
- 6G ⑬
- S1 ⑭
- S2 ⑮
- S3 ⑯
- S4 ⑰
- S5 ⑱
- S6 ⑲
- S7 ⑳
- S8 ㉑
- KS1 / S9 ㉒
- KS2 / S10 ㉓
- KS3 / S11 ㉔
- KS4 / S12 ㉕
- KS5 / S13 ㉖
- KS6 / S14 ㉗
- KS7 / S15 ㉘
- KS8 / S16 ㉙
- KS9 / S17 ㉚
- KS10 / S18 ㉛
- KS11 / S19 ㉜
- KS12 / S20 ㉝
- KS13 / S21 ㉞
- KS14 / S22 ㉟
- S23 ㊱
- S24 ㊲
- GND ㊳
- 5V ㊴

TO X28 CN7
1/2 A

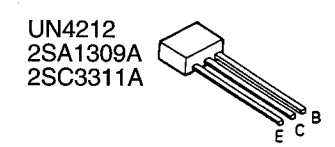
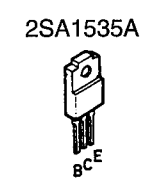


X28 - 278x - xx

MODEL NAME	DESTINATION		UNIT NO.	S10, 12, 14, 15 17, 19, 21 D46, 50, 51 53, 66 W215	S11, 13 16, 20 D52 W216	D78	C166 WH8
	COUNTRY	ABB.					
KX-W6080	USA	K, P	0-10	YES	NO	1SS199	YES
	EUROPE	X, T, E	2-71				
	GENERAL MARKET	Y, M	0-21				
KX-W4080	USA	K, P	0-11	NO	YES	1SS133 or HSS104	NO YES
	EUROPE	X, T, E	2-72				
	GENERAL MARKET	Y, M	0-22				



CAUTION: For continued safety, replace components only with manufacturer's replacement (refer to parts list). Δ indicates safety critical. For continued protection against risk of electric shock, leakage-current or resistance shall be carried out (exposed parts are at the supply circuit) before the application to the customer.

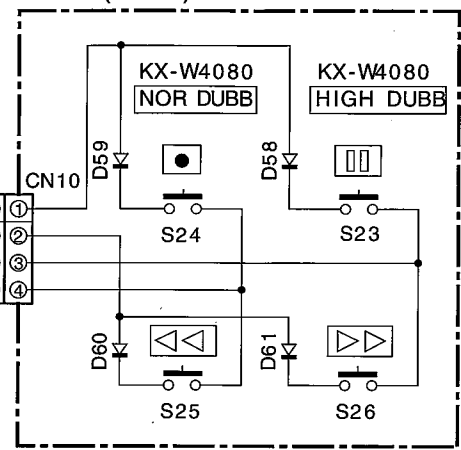


The DC voltage is an actual reading measured with an impedance type voltmeter with a capacitor in playback mode. The measurement depends on the measuring instrument used. Bias circuit DC voltage is measured in record mode.

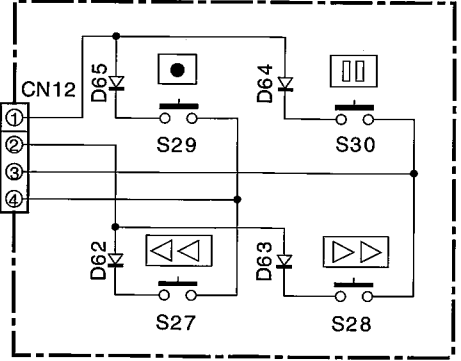
DOLBY and the double-D symbol are trademarks of Dolby Laboratories Licensing Corporation. Noise made under license from Dolby Laboratories Licensing Corporation.

ED1 : FIP6AMW6
 D39-66, 80, 81 : 1SS133 or HSS104
 *D78
 D79 : 1SS199

A DECK
X28 - (D/8)

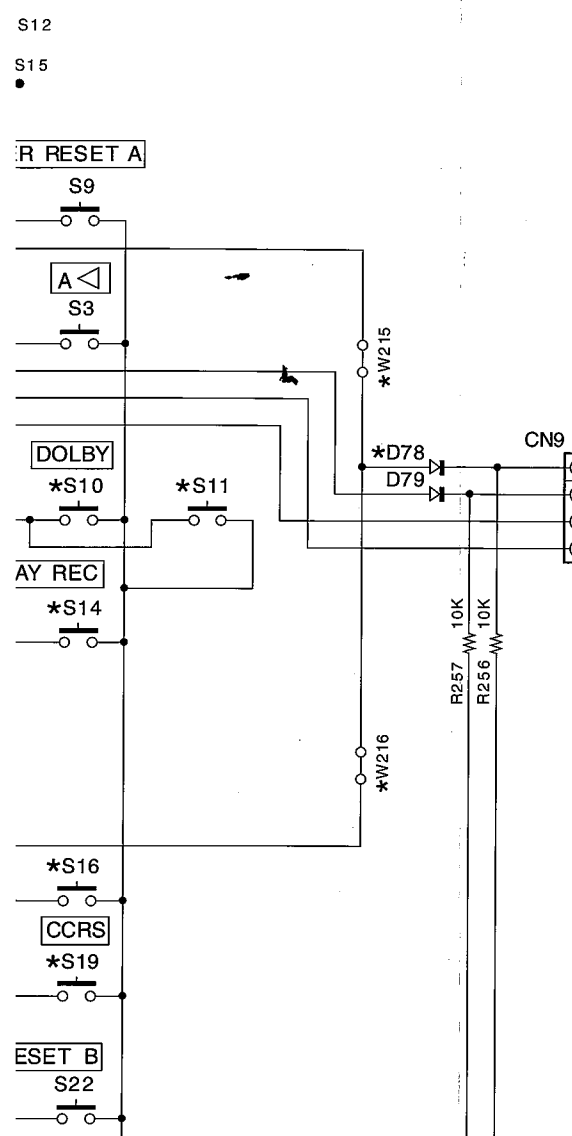
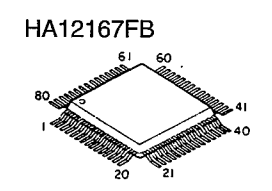
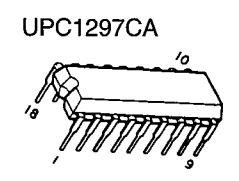
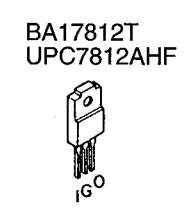
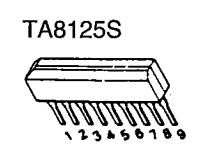
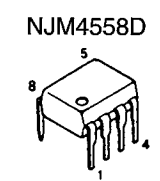
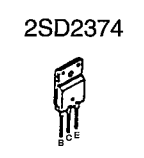


B DECK
X28 - (E/8)



— GND LINE
 = +B LINE
 - - - -B LINE

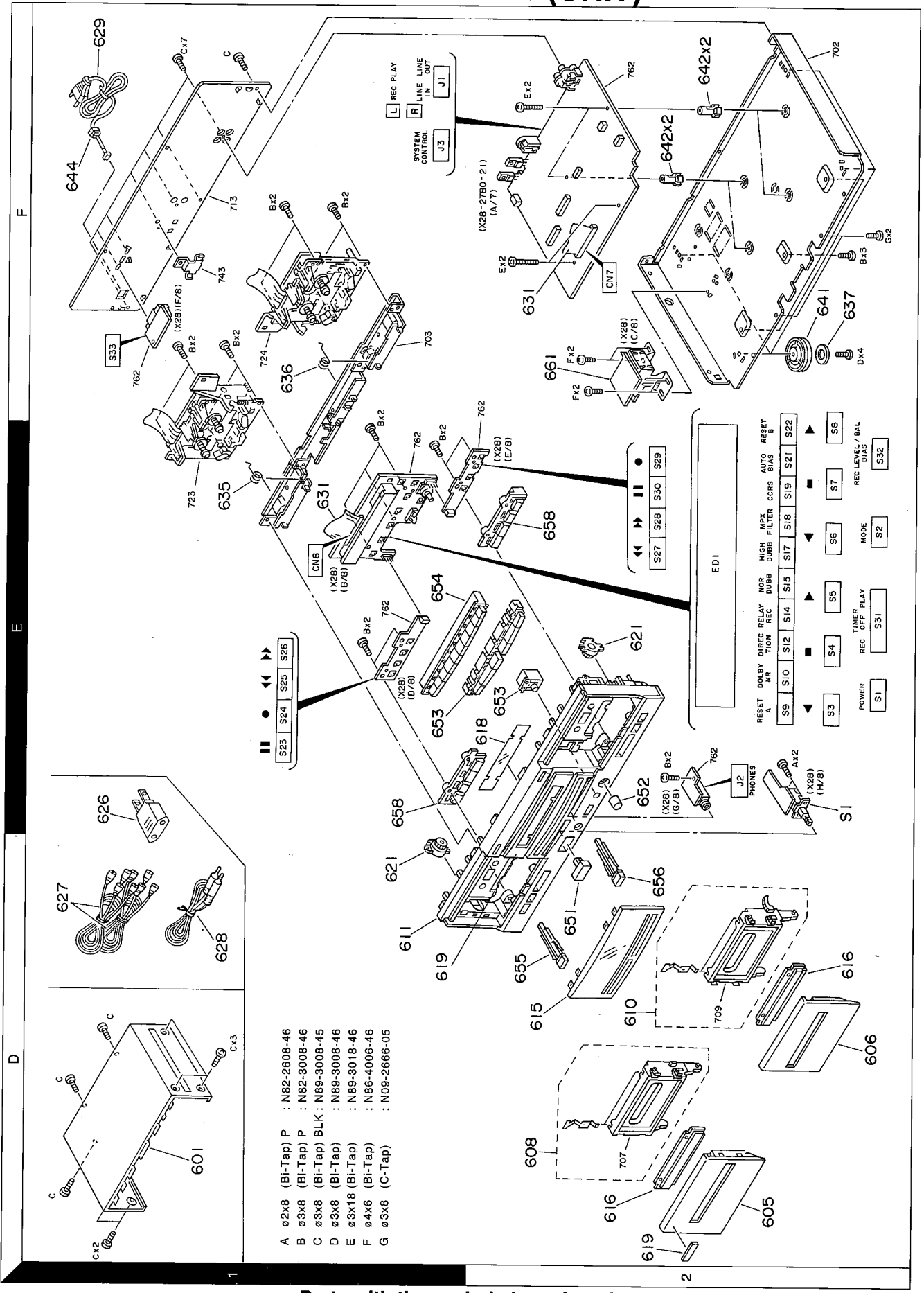
KX - W6080/4080 (K) (2/2)



Y26-4100-10

KX-W4080/M
KENWOOD

EXPLODED VIEW (UNIT)



- A ø2x8 (Bl-Tap) P : N82-2608-46
- B ø3x8 (Bl-Tap) P : N82-3008-46
- C ø3x8 (Bl-Tap) BLK : N89-3008-45
- D ø3x8 (Bl-Tap) : N89-3008-46
- E ø3x18 (Bl-Tap) : N89-3018-46
- F ø4x6 (Bl-Tap) : N86-4006-46
- G ø3x8 (C-Tap) : N09-2666-05

Parts with the exploded numbers larger than 700 are not supplied.

PARTS LIST

* New Parts
Parts without Parts No. are not supplied.
Les articles non mentionnés dans le Parts No. ne sont pas fournis.
Teile ohne Parts No. werden nicht geliefert.

Ref. No	Add-ress	New Parts	Parts No.	Description	Destination	Remarks
601	1D	*	H10-7106-02	POLYSTYRENE FOAMED FIXTURE	KPYMXE	
605	2D	*	H10-7107-02	POLYSTYRENE FOAMED FIXTURE	T X M	
606	2D	*	H13-0211-14	CARTON BOARD	KPYMXE	
606	2D	*	H20-0568-04	PROTECTION COVER	T X M	
608	2D	*	H25-0232-04	PROTECTION BAG (235X350X0.03)	KPYMXE	
610	2D	*	H25-0391-04	PROTECTION BAG (0232)	T X M	
611	2E	*	H25-0851-04	ITEM CARTON CASE	KPYMXE	
611	2E	*	H50-1883-04	ITEM CARTON CASE	T X M	
611	2E	*	H50-1884-04	ITEM CARTON CASE	KPYMXE	
611	2E	*	H50-1885-04	ITEM CARTON CASE	T X M	
615	2D	*	H50-1886-04	ITEM CARTON CASE	KPYMXE	
616	2E	*	H50-1887-04	ITEM CARTON CASE	T X M	
618	2E	*	H50-1888-04	ITEM CARTON CASE	KPYMXE	
619	2E	*	H50-1879-04	ITEM CARTON CASE	T X M	
			J02-1148-13	FOOT (D=46, H=14.5)		
			J19-3732-04	UNIT HOLDER		
			J42-0083-05	POWER CORD BUSHING		
			J61-0098-05	WIRE BAND		
			K27-2175-04	KNOB (BUTTON)		
			K29-5828-04	KNOB		
			K29-6253-03	KNOB		
			K29-6255-03	KNOB(10KEY)		
			K29-6260-03	KNOB(7KEY)		
			K29-6257-04	KNOB		
			K29-6258-04	KNOB		
			K29-6256-03	KNOB		
			L07-1850-05	POWER TRANSFORMER	KP	
			L07-1851-05	POWER TRANSFORMER	YM	
			L07-1852-05	POWER TRANSFORMER	XTE	

* New Parts
Parts without Parts No. are not supplied.
Les articles non mentionnés dans le Parts No. ne sont pas fournis.
Teile ohne Parts No. werden nicht geliefert.

Ref. No	Add-ress	New Parts	Parts No.	Description	Destination	Remarks
601	1D	*	A01-3275-11	METALLIC CABINET	KP	
605	2D	*	A53-1806-02	CASSETTE LID	YMXTE	
606	2D	*	A53-1809-02	CASSETTE LID	KP	
606	2D	*	A53-1807-02	CASSETTE LID	YMXTE	
606	2D	*	A53-1919-02	CASSETTE LID	KPY	6
608	2D	*	A53-1848-13	CASSETTE HOLDER ASSY (A)	KPY	4
610	2D	*	A53-1869-13	CASSETTE HOLDER ASSY (B)	MIXTE	6
611	2E	*	A60-0813-11	PANEL		
611	2E	*	A60-0814-11	PANEL		
611	2E	*	A60-0842-11	PANEL		
611	2E	*	A60-0843-11	PANEL		
615	2D	*	B10-2174-03	FRONT GLASS		
616	2D	*	B10-2175-03	FRONT GLASS		
618	2E	*	B10-2173-04	COLOR FILTER		
619	2E	*	B11-0287-04	ESCUTCHEON		
			B07-2292-13	ESCUTCHEON		
			B46-0092-43	WARRANTY CARD		
			B46-0096-53	WARRANTY CARD		
			B46-0121-33	WARRANTY CARD		
			B46-0197-00	QUESTIONNAIRE CARD		
			B46-0310-03	WARRANTY CARD		
			B46-0326-03	WARRANTY CARD		
			B58-0573-04	CAUTION CARD (PL)		
			B58-0945-03	CAUTION CARD (UL)		
			B58-0964-13	CAUTION CARD (PL)		
			B58-0965-13	CAUTION CARD (PL)		
			B58-0966-13	CAUTION CARD (PL)		
			B58-0967-03	CAUTION CARD (PL)		
			B59-1104-00	SERVICE DIRECTORY		
			B60-2396-00	INSTRUCTION MANUAL(ENGLISH)		
			B60-2397-00	INSTRUCTION MANUAL(FRENCH)		
			B60-2398-00	INSTRUCTION MANUAL(CHINESE)		
			B60-2399-00	INSTRUCTION MANUAL(SPANISH)		
			B60-2400-00	INSTRUCTION MANUAL(DUTCH)		
			B60-2401-00	INSTRUCTION MANUAL(GERMAN)		
			B60-2402-00	INSTRUCTION MANUAL(CHINESE)		
621	2E	*	D39-0314-05	DAMPER		
626	1E	*	E03-0115-05	AC PLUG ADAPTER	M	
627	1D	*	E30-0505-05	AUDIO CORD	M	
629	1F	*	E30-2787-05	AC POWER CORD	KP	
629	1F	*	E30-2788-05	AC POWER CORD	ME	
629	1F	*	E30-2789-05	AC POWER CORD	Y	
629	1F	*	E30-2790-05	AC POWER CORD	X	
629	1F	*	E30-2816-05	CORD WITH PLUG	C	
629	1F	*	E30-2825-05	AC POWER CORD		
631	1E,2F	*	E35-1381-05	FLAT CABLE		
635	1E	*	G01-3838-04	TORSION COIL SPRING		
636	1F	*	G01-3839-04	TORSION COIL SPRING		
637	2F	*	G02-1057-14	FLAT SPRING		
			H10-7105-02	POLYSTYRENE FOAMED FIXTURE	KPYMXE	

L: Scandinavia K: USA P: Canada 4: W4080
Y: PX(Far East, Hawaii) T: Europe E: Europe 6: W6080
Y: AAFES(Europe) X: Australia M: Other Areas Δ indicates safety critical components.

L: Scandinavia K: USA P: Canada 4: W4080
Y: PX(Far East, Hawaii) T: Europe E: Europe 6: W6080
Y: AAFES(Europe) X: Australia M: Other Areas Δ indicates safety critical components.

PARTS LIST

4 * New Parts
Parts without Parts No. are not supplied.
Les articles non mentionnés dans le Parts No. ne sont pas fournis.
Teile ohne Parts No. werden nicht geliefert.

Ref. No	Add-ress	New Parts	Parts No.	Description	Desti-nation	Re-marks
C138,139			CE04LW1H100M	ELECTRO		
C140			CE04LW1H010M	ELECTRO		
C141			CE04LW1A101M	ELECTRO		
C142			CO93FMG1H473J	MYLAR		
C143,144			CK45FB1H102K	CERAMIC		
C145-147			CE04LW1H010M	ELECTRO		
C148			CC45FSL1H223Z	CERAMIC		
C149,150			CC45FSL1H221J	CERAMIC		
C151			CK45FF1H223Z	MYLAR		
C152			CO93FMG1H473J	MYLAR		
C153,154			C91-0769-05	CERAMIC		
C155			CE04LW1H100M	ELECTRO		
C156			C91-0769-05	CERAMIC		
C157			MF	MF		
C158			CK45FF1H103Z	CERAMIC		
C159			CF92FV1H224J	MF-C		
C160			CE04LW1C221M	ELECTRO		
C161			CK45FF1H103Z	CERAMIC		
C162			C91-0769-05	CERAMIC		
C163-165			CK45FF1H103Z	CERAMIC		
C166			C91-0769-05	CERAMIC		
CN1			E40-4632-05	PIN ASSY		
CN2			E40-3247-05	PIN ASSY		
CN3			E40-3249-05	PIN ASSY		
CN4			E40-4294-05	FLAT CABLE CONNECTOR		
CN5,6			E40-4609-05	PIN ASSY		
CN7			E40-4926-05	FLAT CABLE CONNECTOR		
CN8			E40-4964-05	FLAT CABLE CONNECTOR		
CN9			E40-4811-05	PIN ASSY		
CN10			E40-0417-05	SOCKET FOR PIN ASSY		
CN11			E40-4811-05	PIN ASSY		
CN12			E40-0417-05	SOCKET FOR PIN ASSY		
CN13			E40-4294-05	FLAT CABLE CONNECTOR		
J1			E66-0136-15	PHONE JACK		
J2			E11-0282-05	MINIATURE PHONE JACK(2P)		
J3			E11-0188-05	MINIATURE PHONE JACK(2P)		
F1			F60-0062-05	FUSE(5X20)		
J10			F10-0864-04	SHIELDING PLATE		
J11			F10-1000-04	SHIELDING PLATE		
CN14,15			J19-3733-03	HOLDER		
J5,6			J13-0075-05	FUSE CLIP		
J6,9			J11-0098-05	WIRE CLAMPER		
J12,13			J11-0098-05	WIRE CLAMPER		
L1-4			L40-1035-29	SMALL FIXED INDUCTOR(10MH, J)		
L5,6			L32-0556-05	BIAS OSCILLATING COIL		
L7,8			L79-1209-05	LC FILTER		
L9			L32-0570-05	BIAS OSCILLATING COIL		
X1			L78-0294-05	RESONATOR (10.000M)		
CP2			R90-0818-05	MULTI-COMP		
RI55			RD14NB2E181J	RD		
RI77			RD14NB2E150J	RD		
RI80			RS14KB3A102J	FL-PROOF RS		
R254			RD14NB2E150J	RD		

L : Scandinavia K : USA P : Canada
Y : PX(Far East, Hawaii) T : Europe E : Europe 6 : W6080
Y : AAFES(Europe) X : Australia M : Other Areas Δ indicates safety critical components.

PARTS LIST

6 * New Parts
Parts without Parts No. are not supplied.
Les articles non mentionnés dans le Parts No. ne sont pas fournis.
Teile ohne Parts No. werden nicht geliefert.

Ref. No	Add-ress	New Parts	Parts No.	Description	Desti-nation	Re-marks
D64-65			HSS104	DIODE		
D64-66			HSS133	DIODE		
D67-78			HSS104	DIODE		
D67-78			HSS133	DIODE		
D79			HSS199	DIODE		
D80-81			HSS104	DIODE		
D80-81			HSS133	DIODE		
ED1			EW961W6	INDICATOR TUBE		
IC1			CV92545-36Q	MI-COMPLC		
IC2			HA12167FB	IC(DOLBY B/C, REC EQ)		
IC3			UPC1297CA	IC(DOLBY PRO SYSTEM)		
IC4-5			TA8125S	IC(ZCH PRE AMPL)		
IC6			BA10393	IC(DUAL COMPARATOR)		
IC7			NUM4659D	ANALOGUE IC		
IC8			S-806D-Z	ANALOGUE IC		
IC9			BA17812T	IC(VOLTAGE REGULATOR/ +12V)		
IC10			UPC7812AHF	IC(VOLTAGE REGULATOR/ +12V)		
IC1-4			XL24C01AP	MEMORY IC		
IC1-4			2SD1450(S,T)	TRANSISTOR		
IC8-12			DTC124ES	DIGITAL TRANSISTOR		
IC5-12			UN4212	TRANSISTOR		
IC13-14			2SC2458(Y,GR)	TRANSISTOR		
IC13-14			2SC3311A(Q,R)	TRANSISTOR		
IC15-16			2SD1450(S,T)	TRANSISTOR		
IC17-18			2SC2458(Y,GR)	TRANSISTOR		
IC17-18			2SC3311A(Q,R)	TRANSISTOR		
IC19-20			DTC124ES	DIGITAL TRANSISTOR		
IC19-20			UN4212	TRANSISTOR		
IC21			2SC2458(Y,GR)	TRANSISTOR		
IC21			2SC3311A(Q,R)	TRANSISTOR		
Q22			DTC124ES	DIGITAL TRANSISTOR		
Q22			UN4212	TRANSISTOR		
Q23-25			D7A124ES	DIGITAL TRANSISTOR		
Q23-25			UN4112	TRANSISTOR		
Q26-28			DTC124ES	DIGITAL TRANSISTOR		
Q26-28			UN4212	TRANSISTOR		
Q29-36			2SC1845(F,E)	TRANSISTOR		
Q37-40			2SC2003(L,K)	TRANSISTOR		
Q41-42			2SA992(F,E)	TRANSISTOR		
Q43-44			DTC124ES	DIGITAL TRANSISTOR		
Q45-46			2SC2458(Y,GR)	TRANSISTOR		
Q45-46			2SC3311A(Q,R)	TRANSISTOR		
Q47			2SA1534(AIR,S)	TRANSISTOR		
Q48			DTC124ES	DIGITAL TRANSISTOR		
Q48			UN4212	TRANSISTOR		
Q49			UN4212	TRANSISTOR		
Q50			DTC124ES	DIGITAL TRANSISTOR		
Q50			UN4212	TRANSISTOR		
Q51-52			2SC1845(F,E)	TRANSISTOR		
Q53			DTC124ES	DIGITAL TRANSISTOR		
Q53			UN4212	TRANSISTOR		
Q54			2SC1845(F,E)	TRANSISTOR		
Q55			2SD2374	TRANSISTOR		
Q56			2SC3246	TRANSISTOR		
Q57			2SA1535A	TRANSISTOR		

L : Scandinavia K : USA P : Canada
Y : PX(Far East, Hawaii) T : Europe E : Europe 6 : W6080
Y : AAFES(Europe) X : Australia M : Other Areas Δ indicates safety critical components.

3 * New Parts
Parts without Parts No. are not supplied.
Les articles non mentionnés dans le Parts No. ne sont pas fournis.
Teile ohne Parts No. werden nicht geliefert.

Ref. No	Add-ress	New Parts	Parts No.	Description	Desti-nation	Re-marks
C61-62			CE04LW1H100M	ELECTRO		
C63-64			CE04LW1H010M	ELECTRO		
C65-66			CE04LW1H2R2M	ELECTRO		
C67-68			CE04LW1H010M	ELECTRO		
C69-70			CE04LW1H2R2M	ELECTRO		
C71-72			CE04LW1H100M	ELECTRO		
C73-77			CE04LW1H2R2M	ELECTRO		
C78			CC45FSL1H860J	CERAMIC		
C79-80			CC45FSL1H180J	CERAMIC		
C81-82			CE04LW1H010M	ELECTRO		
C83			CO93FMG1H332J	MYLAR		
C84			CO93FMG1H104J	MYLAR		
C85			CE04LW1H010M	ELECTRO		
C86			CE04LW1C331M	ELECTRO		
C87-88			CC45FSL1H221J	CERAMIC		
C89-90			C91-1436-05	FILM		
C91-92			C91-1436-05	FILM		
C93-94			C91-1434-05	FILM		
C95-96			C91-1436-05	FILM		
C97-98			CK45FF1H103Z	CERAMIC		
C99-100			CK45FB1H661K	CERAMIC		
C101,102			CK45FF1H223Z	CERAMIC		
C103			CO93FMG1H104J	MYLAR		
C104			CE04LW1H100M	ELECTRO		
C105			CC45FSL2H100D	CERAMIC		
C106			CC45FSL2H103Z	CERAMIC		
C107,108			CO93FMG1H562J	MYLAR		
C109			CK45FF1H103Z	CERAMIC		
C110			CE04LW1H100M	ELECTRO		
C111			CO93HP2A103J	MYLAR		
C112			CO93HP2A103J	MYLAR		
C113,114			CE04LW1H100M	ELECTRO		
C115,116			CE04LW1C470M	ELECTRO		
C117			CE04LW1C330M	ELECTRO		
C118			CE04LW1A101M	ELECTRO		
C119			CE04LW1C331M	ELECTRO		
C120			CE04LW1C101M	ELECTRO		
C121,122			CK45FF1H223Z	CERAMIC		
C123			CE04LW1V332M	ELECTRO		
C124			CE04LW1V220M	ELECTRO		
C125,126			CO93FMG1H104J	MYLAR		
C127			CE04LW1A101M	ELECTRO		
C128			CE04LW1A101M	ELECTRO		
C129			CE04LW0471M	ELECTRO		
C130			CE04LW1V220M	ELECTRO		
C131			CO93FMG1H104J	MYLAR		
C132			CE04LW1A101M	ELECTRO		
C133			MF-C	MF-C		
C134			CO93FMG1H104J	MYLAR		
C135			CE04LW1C101M	ELECTRO		
C136			CE04LW1V470M	ELECTRO		
C137			CE04DW1V101M	ELECTRO		
			CE04LW1JZ21M	ELECTRO		

L : Scandinavia K : USA P : Canada
Y : PX(Far East, Hawaii) T : Europe E : Europe 6 : W6080
Y : AAFES(Europe) X : Australia M : Other Areas Δ indicates safety critical components.

5 * New Parts
Parts without Parts No. are not supplied.
Les articles non mentionnés dans le Parts No. ne sont pas fournis.
Teile ohne Parts No. werden nicht geliefert.

Ref. No	Add-ress	New Parts	Parts No.	Description	Desti-nation	Re-marks
R261			RD14NB2E8R2J	RD		
VR1-4			R12-3685-05	TRIMMING POT.(10KΩ)		
			R12-3686-05	TRIMMING POT.(22K)		
K2			S76-0018-05	MAGNETIC RELAY		
S1			S40-1138-05	PUSH SWITCH (POWER TYPE)		
S2-9			S70-0031-05	TACT SWITCH		
S11			S70-0031-05	TACT SWITCH		
S13			S70-0031-05	TACT SWITCH		
S16			S70-0031-05	TACT SWITCH		
S18			S70-0031-05	TACT SWITCH		
S20			S70-0031-05	TACT SWITCH		
S22-30			S70-0031-05	TACT SWITCH		
S31			S31-1036-05	SLIDE SWITCH		
S33			S31-2131-05	SLIDE SWITCH (POWER TYPE)		
S32			T99-0546-05	ROTARY ENCODER		
D3			HSS104	DIODE		
D3			HSS133	DIODE		
D4			D35BA20F03	DIODE		
D4			R8V-40ZLFA	DIODE		
D5,6			HSS104	DIODE		
D5,6			HSS133	DIODE		
D7			HZS5.6N(B2)	ZENER DIODE		
D7			RD6.6ES(B2			

PARTS LIST

* New Parts
Parts without Parts No. are not supplied.
Les articles non mentionnés dans le Parts No. ne sont pas fournis.
Teile ohne Parts No. werden nicht geliefert.

Ref. No	Add. res	Parts No.	Description	Desti- nation	Re- marks
455	2A	G01-3718-08	RETURN SPR		
456	2A	G01-3719-08	FWD SPR		
457	2A	G01-3720-08	HEAD RETURN PLATE SP		
458	2B	G01-3721-08	BRAKE SP (R)		
459	1B	G01-3722-08	BRAKE SP (L)		
460	1B	G01-3724-08	CLUTCH ARM SPRING (B)		
461	1B	G01-3725-08	CLUTCH SP		
462	1B	G02-0913-08	PACK SPRING		
463	2A	G02-1043-08	AZIMUTH SPR		
465	2A	G11-2117-08	HEAD WIRE CLAMP		
466	1B	G11-2205-08	TUBE		
467	2B	G16-0791-08	REFLECT SEAL		
468	2A	G01-3739-08	HEAD CHASSIS SP		
470	1C	J19-3652-08	CABLE HOLDER		
471	2A	J19-3709-08	HEAD BASE		
472	2A	J21-6135-08	HEAD RETURN PLATE		
473	2A	J21-6199-08	HEAD PLATE ASSY		
474	2A	J42-0183-08	REEL BUSH		
475	2B	J69-0086-08	FILAMENT TAPE		
476	1A	J21-6178-08	BRACKET (L) (B MECHA)		
477	2C	J31-6179-08	BRACKET (R) (A MECHA)		
478	1A,2C	J31-0851-08	EJECT COLLAR		
AA		N19-1316-08	POLY WASHER		
AB		N19-1354-08	NYLON WASHER		
AC		N19-1355-08	NYLON WASHER		
AD		N19-1384-08	NYLON WASHER		
AE		N19-1385-08	POLY WASHER		
AF		N19-1386-08	POLY WASHER		
AG		N19-1387-08	TEFLON WASHER		
AH		N19-1388-08	POLY WASHER		
AI		N09-2900-08	SCREW		
AS		N08-1497-08	TAP TITE SCREW		
T		N08-2871-08	TAPPING SCREW		
V		N08-2876-08	HEAD SCREW		
W		N08-2901-08	BIND TAP TITE SCREW		
X		N08-3112-08	AZIMUTH SCREW		
XA		N08-3135-08	BIND TAP TITE SCREW 2.6 #6		
Y		N19-1287-08	POLY WASHER		
Z		N19-1288-08	POLY WASHER		
480	1C,2C	S74-0033-08	REC SWITCH		
481	1C,2C	S74-0042-08	PLAY SWITCH		
484	1C	T94-0233-08	SOLENOID ASSY		
485	1C,2C	T95-0125-08	PHOTO INTERRUPTER		
MM	1C	T42-0687-08	MOTOR ASSY		
PH	1A	T31-0072-08	ROTATION HD(IP)KP-7442-CS-8352		
RPEH	2A	T39-0027-08	ROTATION HD(IP)KC-9242-CB-8354		
RPEH	2A	T39-0027-08	ROTATION HD(IP)KC-9242-CB-8354		

L: Scandinavia K: USA P: Canada 4: W4080
Y: PX(Far East, Hawaii) T: Europe E: Europe 6: W6080
Y: AA(FES(Europe)) X: Australia M: Other Areas Δ indicates safety critical components.

* New Parts
Parts without Parts No. are not supplied.
Les articles non mentionnés dans le Parts No. ne sont pas fournis.
Teile ohne Parts No. werden nicht geliefert.

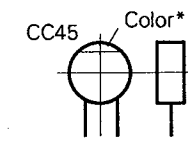
Ref. No	Add. res	Parts No.	Description	Desti- nation	Re- marks
C58		2SC2458(Y,GR)	TRANSISTOR		
C59	60	ZSC331(A,Q,R)	TRANSISTOR		
C61	62	ZSA1048(Y,GR)	TRANSISTOR		
C61	62	ZSA1309(A,Q,R)	TRANSISTOR		
C63	64	2SC3246	TRANSISTOR		
C65	68	DTC124ES	DIGITAL TRANSISTOR		
C65	68	UN4212	TRANSISTOR		
MECHANISM ASSY					
(D40-1451-05 : W4080 , 0-05 : W6080 : A , D40-1473-05 : B					
401	2A	A10-3178-08	HEAD CHASSIS		
403	1C,2C	B30-2409-08	HEAD SEL2415E		
405	2C	D01-0175-08	FLYWHEEL (R) ASSY		
406	1B	D01-0176-08	FLYWHEEL (L) ASSY		
409	1C	D10-3470-08	SHIFT LEVER		
410	2C	D10-3471-18	HEAD CHANGE ARM		
411	1C	D13-1622-18	CAM GEAR		
412	1A	D10-3500-08	EJECT LEVER (L) (B MECHA)		
413	2C	D10-3501-08	EJECT LEVER (R) (A MECHA)		
414	2A	D10-3478-08	SELECT LEVER		
415	1B	D10-3479-08	CHASSIS OS ASSY		
416	2A	D10-3480-08	C/R LEVER		
417	1A	D10-3502-08	ARM (LEFT) (INTER LOCK)		
418	2B	D10-3503-08	ARM (RIGHT) (INTER LOCK)		
420	2A	D13-0981-08	ROTATION GEAR		
421	1A	D13-1616-08	REW GEAR		
422	1A,2B	D13-1617-08	REEL GEAR		
423	1B	D13-1618-08	IDLER GEAR		
424	2A	D13-1621-08	RETURN GEAR		
425	1C	D10-3470-08	TRIGGER ARM		
426	2B	D14-0367-08	PINCH ARM (R) ASSY		
427	2A	D14-0368-08	PINCH ARM (L) ASSY		
430	1B	D15-0369-08	IDLER PULLEY		
431	2C	D16-0375-08	DRIVE BELT		
432	2C	D16-0376-08	CLUTCH BELT		
433	1A,2A	D19-0270-18	REEL CAP (A)		
434	1B	D19-0287-18	CLUTCH ARM ASSY		
439	1C	E35-0934-08	15P FLAT RIBBON WIRE (A MECHA)		
440	1C	E35-0358-08	15P FLAT RIBBON WIRE (B MECHA)		
441	2A	E35-1005-08	3P HEAD WIRE ASSY (A MECHA)		
441	2A	E35-1006-08	5P HEAD WIRE ASSY (B MECHA)		
441	2A	E35-1189-08	5P HEAD WIRE ASSY (A MECHA)		
442	1C	E35-0986-08	MOTOR WIRE		
443	1A	G01-3706-08	SPRING (L) (B MECHA)		
444	2B	G01-3707-18	SPRING (R) (A MECHA)		
445	1A,2B	G01-3709-08	B.T SPRING		
446	1B	G01-3710-08	SHIFT LEVER SP		
447	1C	G01-3711-08	TRIGGER ARM SP		
448	2C	G01-3712-08	HEAD CHANGE ARM SP		
449	1A,2C	G01-3708-08	EJECT SP		
450	2A	G01-3714-08	C/R LEVER SP		
451	2A	G01-3715-08	SELECT SP		
452	2A	G01-3716-08	SHIFT SP		

L: Scandinavia K: USA P: Canada 4: W4080
Y: PX(Far East, Hawaii) T: Europe E: Europe 6: W6080
Y: AA(FES(Europe)) X: Australia M: Other Areas Δ indicates safety critical components.

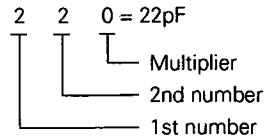
PARTS DESCRIPTIONS

CAPACITORS

1 = Type ... ceramic, electrolytic, etc. 4 = Voltage rating
2 = Shape ... round, square, ect. 5 = Value
3 = Temp. coefficient 6 = Tolerance



• Capacitor value
010 = 1pF
100 = 10pF
101 = 100pF
102 = 1000pF = 0.001μF
103 = 0.01μF



• Temperature coefficient

1st Word	C	L	P	R	S	T	U
Color*	Black	Red	Orange	Yellow	Green	Blue	Violet
ppm/°C	0	-80	-150	-220	-330	-470	-750

2nd Word	G	H	J	K	L
ppm/°C	±30	±60	±120	±250	±500

Example : CC45TH = -470 ± 60ppm/°C

• Tolerance (More than 10pF)

Code	C	D	G	J	K	M	X	Z	P	No code
(%)	±0.25	±0.5	±2	±5	±10	±20	+40	+80	+100	More than 10μF - 10 ~ +50 Less than 4.7μF - 10 ~ +75

(Less than 10pF)

Code	B	C	D	F	G
(pF)	±0.1	±0.25	±0.5	±1	±2

• Voltage rating

1st word	2nd word										
	A	B	C	D	E	F	G	H	J	K	V
0	1.0	1.25	1.6	2.0	2.5	3.15	4.0	5.0	6.3	8.0	-
1	10	12.5	16	20	25	31.5	40	50	63	80	35
2	100	125	160	200	250	315	400	500	630	800	-
3	1000	1250	1600	2000	2500	3150	4000	5000	6300	8000	-

• Chip capacitors

(EX) C C 7 3 F S L 1 H 0 0 0 J
1 2 3 4 5 6 7
(Chip) (CH, RH, UJ, SL)

(EX) C K 7 3 F F 1 H 0 0 0 Z
1 2 3 4 5 6 7
(Chip) (B, F)

Refer to the table above.
1 = Type
2 = Shape
3 = Dimension
4 = Temp. coefficient
5 = Voltage rating
6 = Value
7 = Tolerance

Dimension (Chip capacitors)

Dimension code	L	W	T
Empty	5.6 ± 0.5	5.0 ± 0.5	Less than 2.0
A	4.5 ± 0.5	3.2 ± 0.4	Less than 2.0
B	4.5 ± 0.5	2.0 ± 0.3	Less than 2.0
C	4.5 ± 0.5	1.25 ± 0.2	Less than 1.25
D	3.2 ± 0.4	2.5 ± 0.3	Less than 1.5
E	3.2 ± 0.2	1.6 ± 0.2	Less than 1.25
F	2.0 ± 0.3	1.25 ± 0.2	Less than 1.25
G	1.6 ± 0.2	0.8 ± 0.2	Less than 1.0

RESISTORS

• Chip resistor (Carbon)

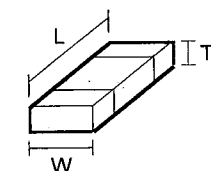
(EX) R K 7 3 E B 2 B 0 0 0 J
1 2 3 4 5 6 7
(Chip) (B, F)

• Carbon resistor (Normal type)

(EX) R D 1 4 B B 2 C 0 0 0 J
1 2 3 4 5 6 7

1 = Type 5 = Rating wattage
2 = Shape 6 = Value
3 = Dimension 7 = Tolerance
4 = Temp. coefficient

Dimension



Dimension (Chip resistor)

Dimension code	L	W	T
E	3.2 ± 0.2	1.6 ± 0.2	1.0
F	2.0 ± 0.3	1.25 ± 0.2	1.0
G	1.6 ± 0.2	0.8 ± 0.2	0.5 ± 0.1

Rating wattage

Code	Wattage	Code	Wattage	Code	Wattage
1J	1/16W	2C	1/6W	3A	1W
2A	1/10W	2E	1/4W	3D	2W
2B	1/8W	2H	1/2W		

KX-W4080/W6080

SPECIFICATIONS

[MODEL: KX-W6080]

Track System	4 track, 2 channel stereo	
Recording System	AC bias (Frequency: 105 kHz)	
Heads	A DECK Playback/recording heads ..1 Erasing head	1
	B DECK Playback/recording heads ..1 Erasing head	1
Motors.....	A DECK	DC motor x 1
	B DECK	DC motor x 1
Wow and Flutter	± 0.17 % (IEC) ± 0.28 % (DIN) 0.1 % (W.R.M.S)	
Fast Winding Time	Approx. 110 seconds (C-60 tape)	
Frequency Response		
TYPE I tape	30 Hz to 18,000 Hz, ± 3 dB	
TYPE II tape	30 Hz to 19,000 Hz, ± 3 dB	
Signal to Noise Ratio		
Dolby NR OFF	56 dB (IEC, 250 nWb/m, TYPE II tape)	
Dolby NR OFF	59 dB	
Dolby B NR ON	68 dB	
Dolby C NR ON	75 dB (3rd, H.D., 3 %, TYPE II tape)	
Harmonic Distortion.....	Less than 1.2 % (at 315 Hz, 3rd H.D., 250 nWb/m, TYPE II tape)	
Input sensitivity/Impedance		
LINE IN	122.8 mV/47 k Ω	
Output Level/Impedance		
LINE OUT	775 mV/1.0 k Ω	
Headphones	0.5 mW/32 Ω	

[General]

Power Consumption	30W
Dimensions.....	W : 440 mm (17-5/16") H : 134 mm (5-1/4") D : 367 mm (14-7/16")
Weight (Net)	4.6 kg (10.1 lb)

KENWOOD follows a policy of continuous advancements in development. For this reason specifications may be changed without notice.

[MODEL: KX-W4080]

Track System	4 track, 2 channel stereo	
Recording System	AC bias (Frequency: 105 kHz)	
Heads	A DECK Playback head	1
	B DECK Playback/recording heads ..1 Erasing head	1
Motors	A DECK	DC motor x 1
	B DECK	DC motor x 1
Wow and Flutter	± 0.17 % (IEC) ± 0.28 % (DIN) 0.1 % (W.R.M.S)	
Fast Winding Time	Approx. 110 seconds (C-60 tape)	
Frequency Response		
TYPE I tape	30 Hz to 18,000 Hz, ± 3 dB	
TYPE II tape	30 Hz to 19,000 Hz, ± 3 dB	
Signal to Noise Ratio		
Dolby NR OFF	56 dB (IEC, 250 nWb/m, TYPE II tape)	
Dolby NR OFF	59 dB	
Dolby B NR ON	68 dB	
Dolby C NR ON	75 dB (3rd, H.D., 3 %, TYPE II tape)	
Harmonic Distortion.....	Less than 1.2 % (at 315 Hz, 3rd H.D., 250 nWb/m, TYPE II tape)	
Input sensitivity/Impedance		
LINE IN	122.8 mV/47 k Ω	
Output Level/Impedance		
LINE OUT	775 mV/1.0 k Ω	
Headphones	0.5 mW/32 Ω	

[General]

Power Consumption	30 W
Dimensions.....	W : 440 mm (17-5/16") H : 134 mm (5-1/4") D : 367 mm (14-7/16")
Weight (Net)	4.6 kg (10.1 lb)

Note:

Component and circuitry are subject to modification to insure best operation under differing local conditions. This manual is based on the U.S.A.(K) standard, and provides information on regional circuit modification through use of alternate schematic diagrams, and information on regional component variations through use of parts list.

KENWOOD CORPORATION

14-6, Dogenzaka 1-chome, Shibuya-ku, Tokyo, 150 Japan

KENWOOD SERVICE CORPORATION

P.O. BOX 22745, 2201 East Dominguez St., Long Beach, CA 90801-5745, U.S.A.

KENWOOD ELECTRONICS BENELUX INC.

6070 Kestrel Road, Mississauga, Ontario, Canada L5T 1S8

KENWOOD ELECTRONICS LATIN AMERICA S.A.

P.O. BOX 55-2791, Piso 6 plaza Chase, Cl. 47 y Aquilino de la Guardia Panama, Republic de Panama

TRIO-KENWOOD U.K. LIMITED

KENWOOD House, Dwight Road, Watford, Herts., WD1 8EB., United Kingdom

KENWOOD ELECTRONICS BENELUX N.V.

Meachelsesteenweg 418, B-1930 Zaventem, Belgium

KENWOOD ELECTRONICS DEUTSCHLAND GMBH

Rembrücker Str. 15, 63150 Heusenstamm, Germany

TRIO-KENWOOD FRANCE S.A.

13 Boulevard Ney, 75018 Paris, France

KENWOOD ELECTRONICS ITALIA S.p.A.

Via G. Sirtori, 7/9 20129, Milano, Italy

KENWOOD IBÉRICA S.A.

Bolivia, 239-08020 Barcelona, Spain

KENWOOD ELECTRONICS AUSTRALIA PTY. LTD. (A.C.N. 001499 074)

P.O. Box 504, 8 Figtree Drive, Australia Centre, Homebush, N.S.W. 2140, Australia

KENWOOD & LEE ELECTRONICS, LTD.

Unit 3712-3724, Level 37, Tower 1, Metroplaza, 223 Hing Fong Road, Kwai Fong N.T., Hong Kong

KENWOOD ELECTRONICS SINGAPORE PTE LTD.

No. 1 Genting Lane # 07-00, KENWOOD Building, Singapore, 349544

KENWOOD ELECTRONICS (MALAYSIA) SDN BHD

10th Floor, Block B, Wisma Semantan, No. 12 Janlan Gelenggang, Bukit Damansara, 50490 Kuala Lumpur, Malaysia