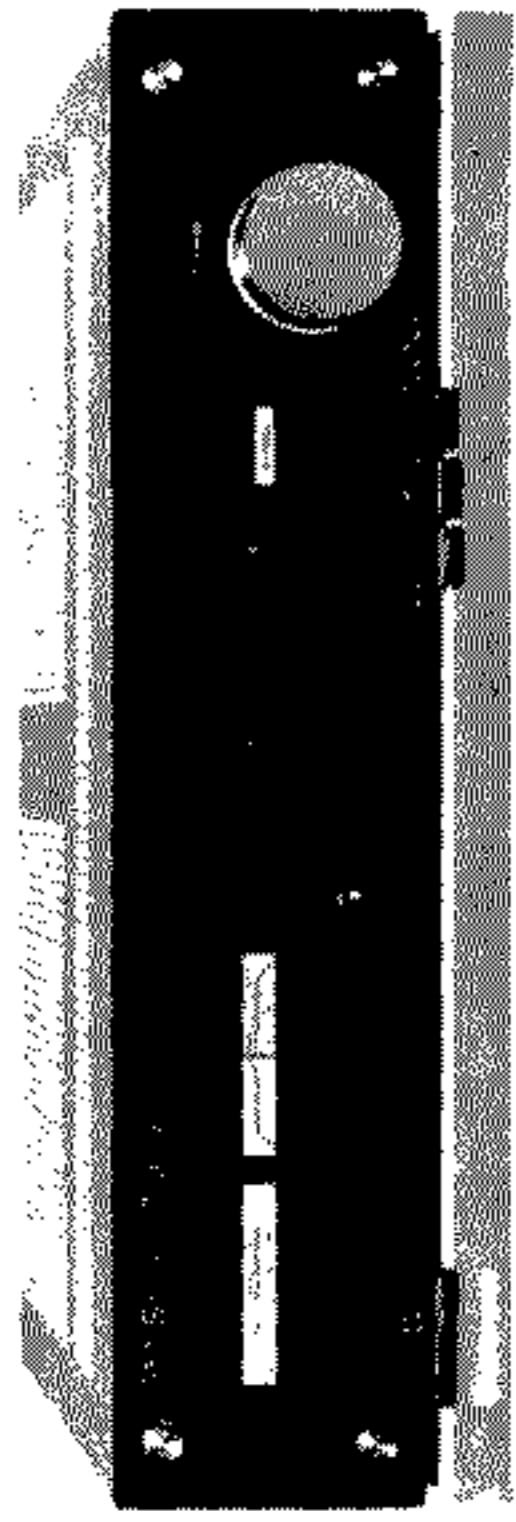


LEOIT



SPECIFICATIONS

FM TUNER SECTION

	NORMAL	DIRECT
Usable Sensitivity	10.3 dBf (1.8 μV)	20.7 dBf (6.0 μV)
50 dB Quieting Sensitivity:		
Mono	15.8 dBf (3.4 μV)	26.7 dBf (12.1 μV)
Stereo	37.2 dBf (40 μV)	48.1 dBf (1140 μV)

Signal-to-Noise Ratio:

Mono	86 dB
Stereo	80 dB

Total Harmonic Distortion

Bandwidth	Wide	Narrow
1000 Hz	0.04%	0.04%
6000 Hz	0.15%	0.15%
15000 Hz	0.2%	0.2%
50 Hz ~ 10000 Hz	0.04%	0.04%
1000 Hz	0.3%	0.3%
6000 Hz	0.05%	0.05%
15000 Hz	0.18%	0.18%
50 Hz ~ 10000 Hz	0.06%	0.06%
Capture Ratio	2.5 dB	2.5 dB
Alternate Channel Selectivity	45 dB	45 dB
Stereo Separation	60 dB	47 dB
1000 Hz	48 dB	35 dB
15000 Hz	45 dB	35 dB
Frequency Response	15 Hz ~ 15000 Hz, ±0.5 dB	-0.5 dB
Spurious Response	120 dB	120 dB
Image Response Ratio	120 dB	120 dB
IF Response Ratio	95 dB	95 dB
AM Suppression Ratio	70 dB	70 dB
Sub Carrier Product Ratio	750 unbalanced	750 unbalanced
Antenna Impedance	88 MHz ~ 108 MHz	88 MHz ~ 108 MHz
FM Frequency Range	0.75V, 1500	0 ~ 1.5V, 1500
Output Level	100 mV, 10 kΩ	300 mV, 10 kΩ
Vertical		
Horizontal		

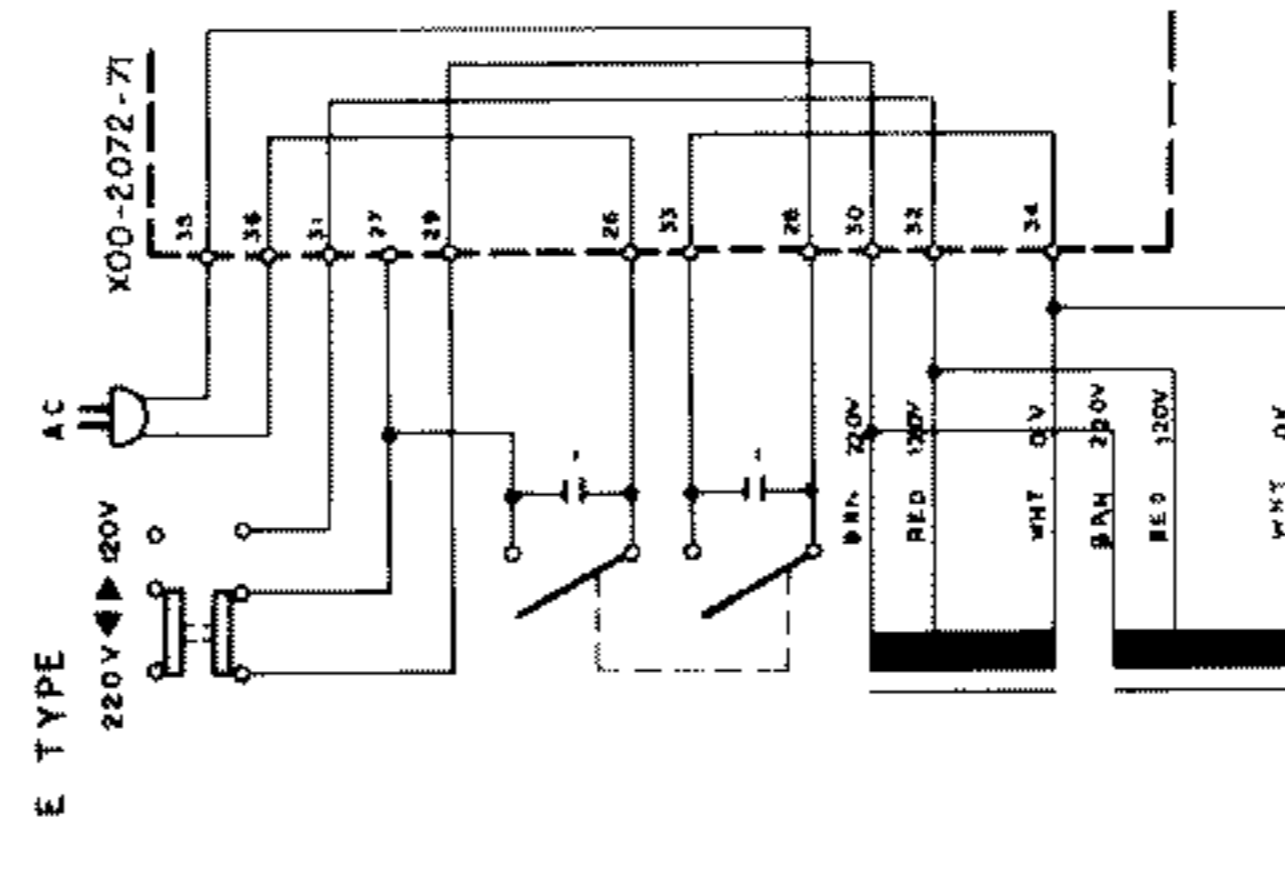
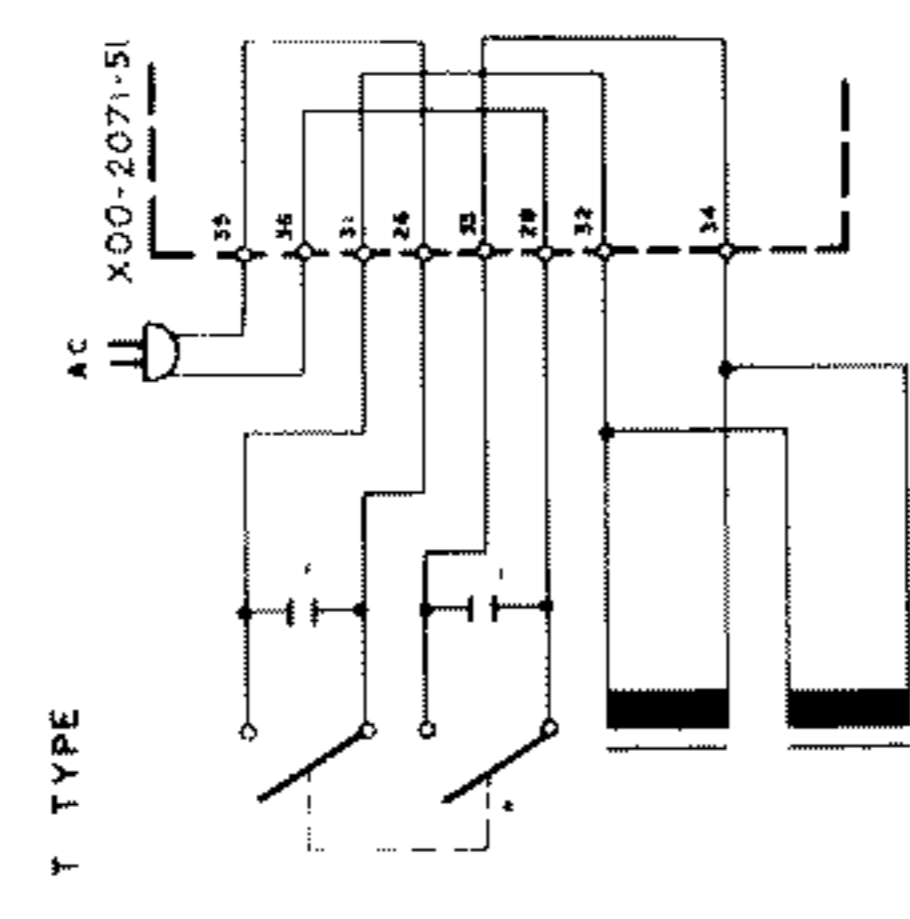
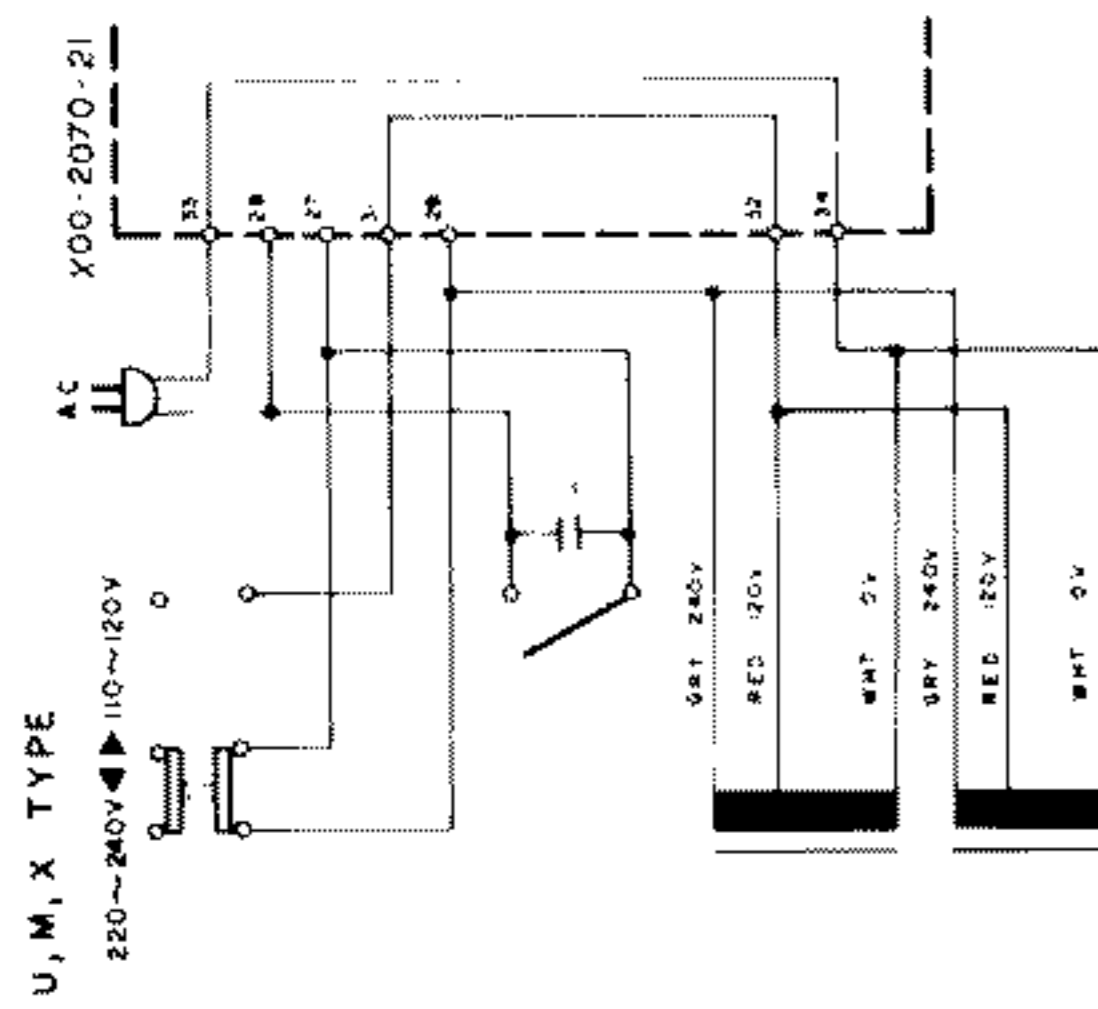
GENERAL

Power Requirements	60 Hz 120V (U.S.A. and Canada Model) or 50Hz/60 Hz 110-120V/220-240V, switchable
Power Consumption	50 Watts
Dimensions	W: 440 mm (17-5/16") H: 136 mm (5-11/32") D: 452 mm (17-25/32")
Weight (Net)	9.1 kg (20 lb)

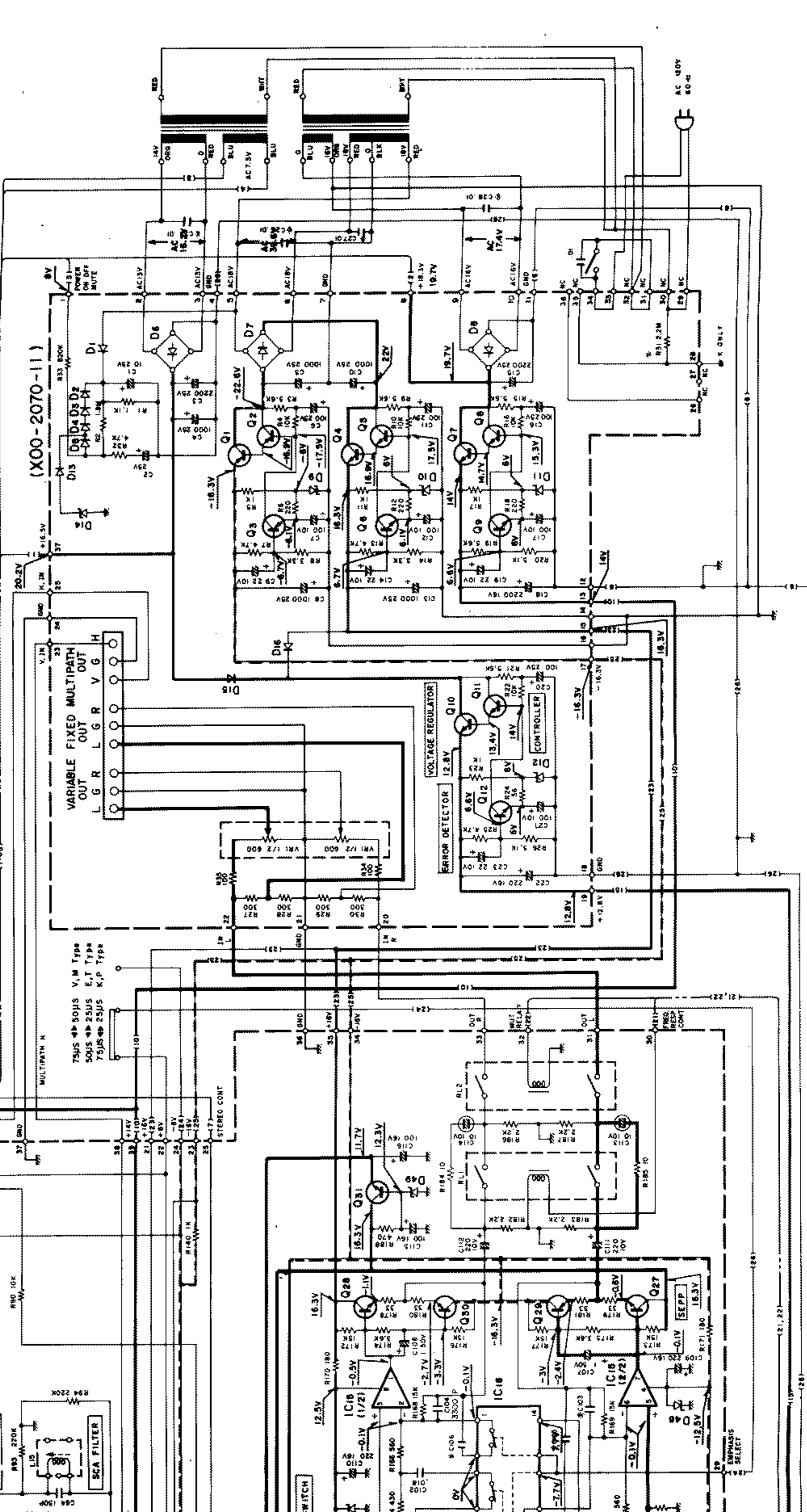
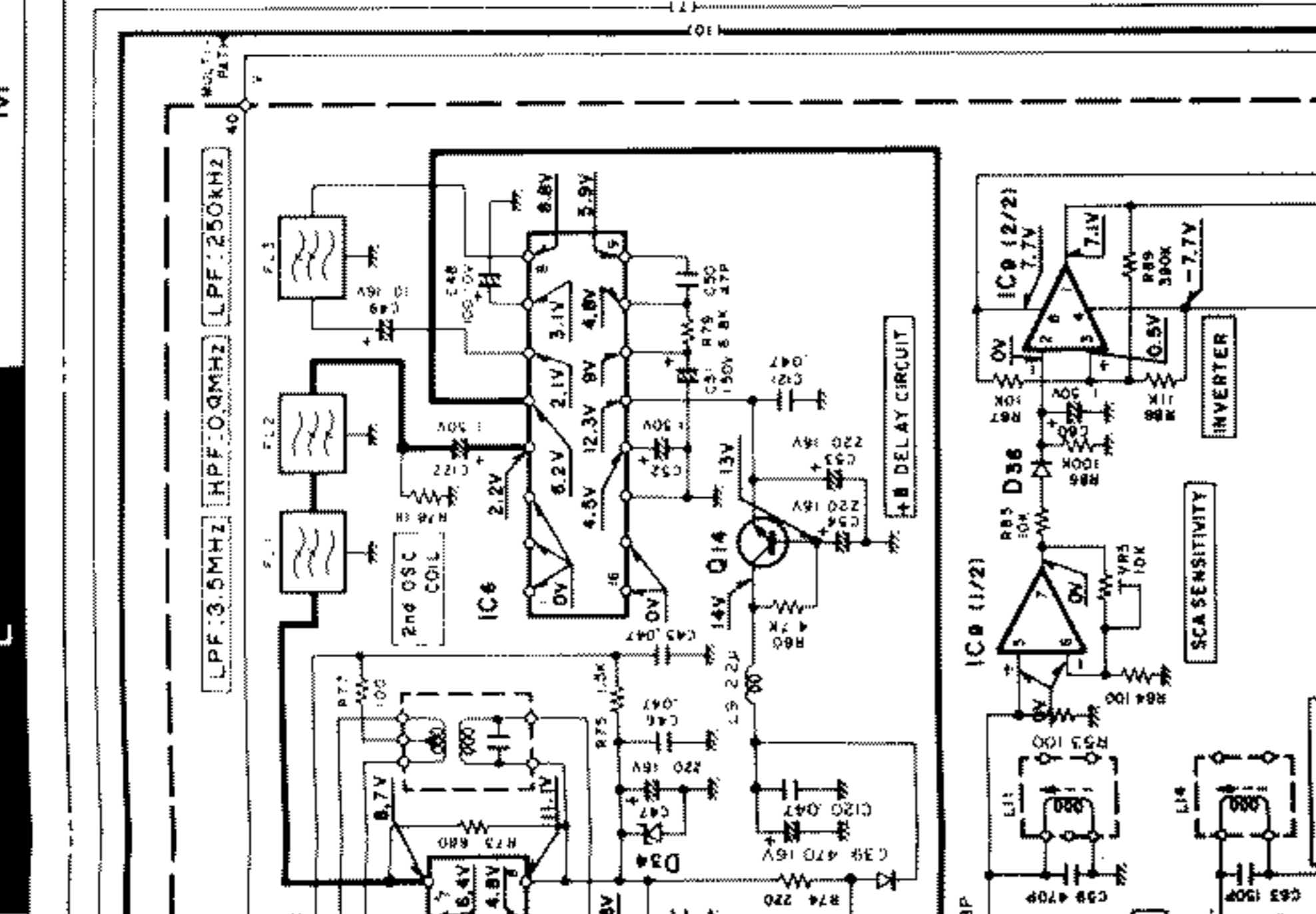
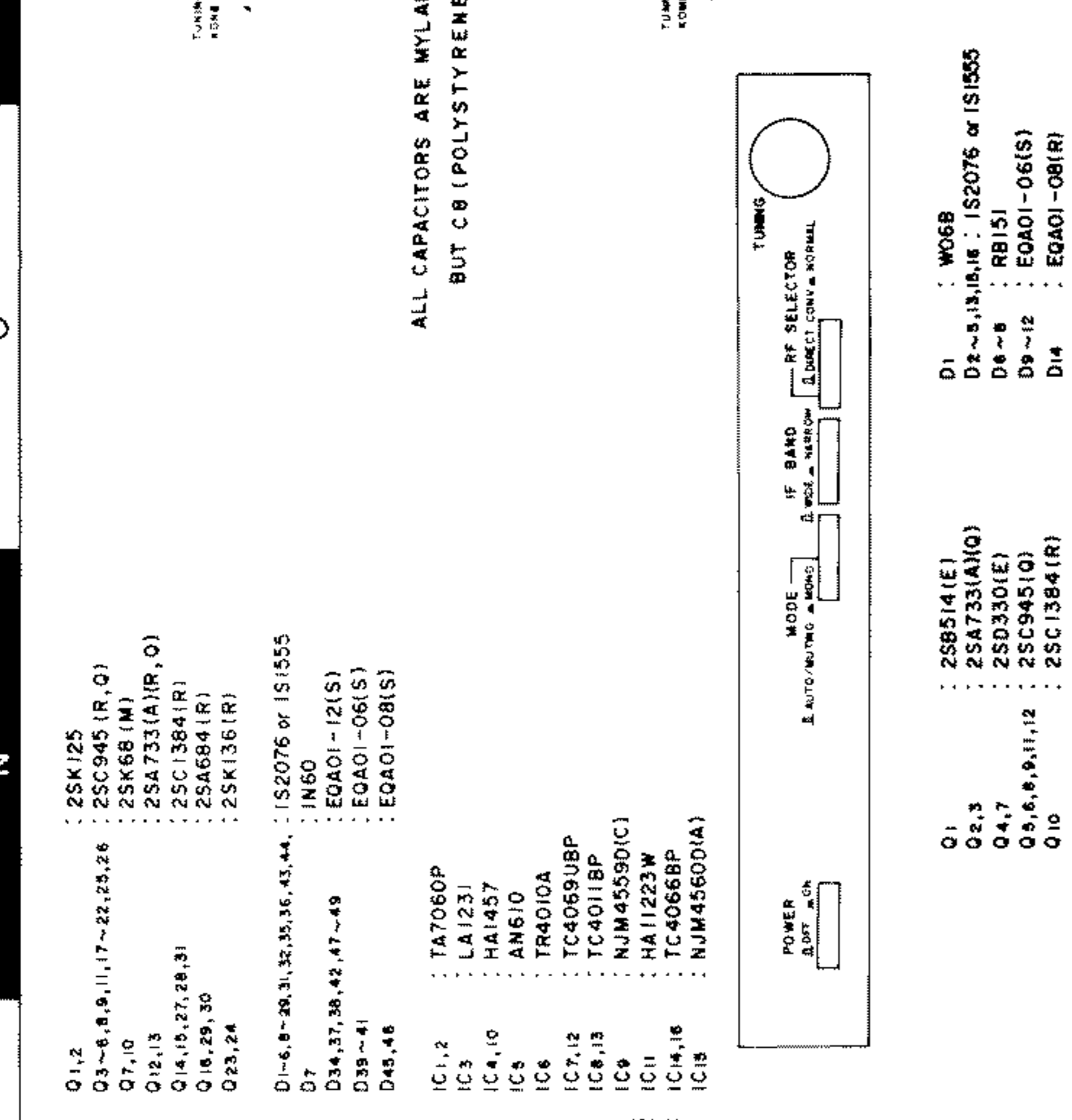
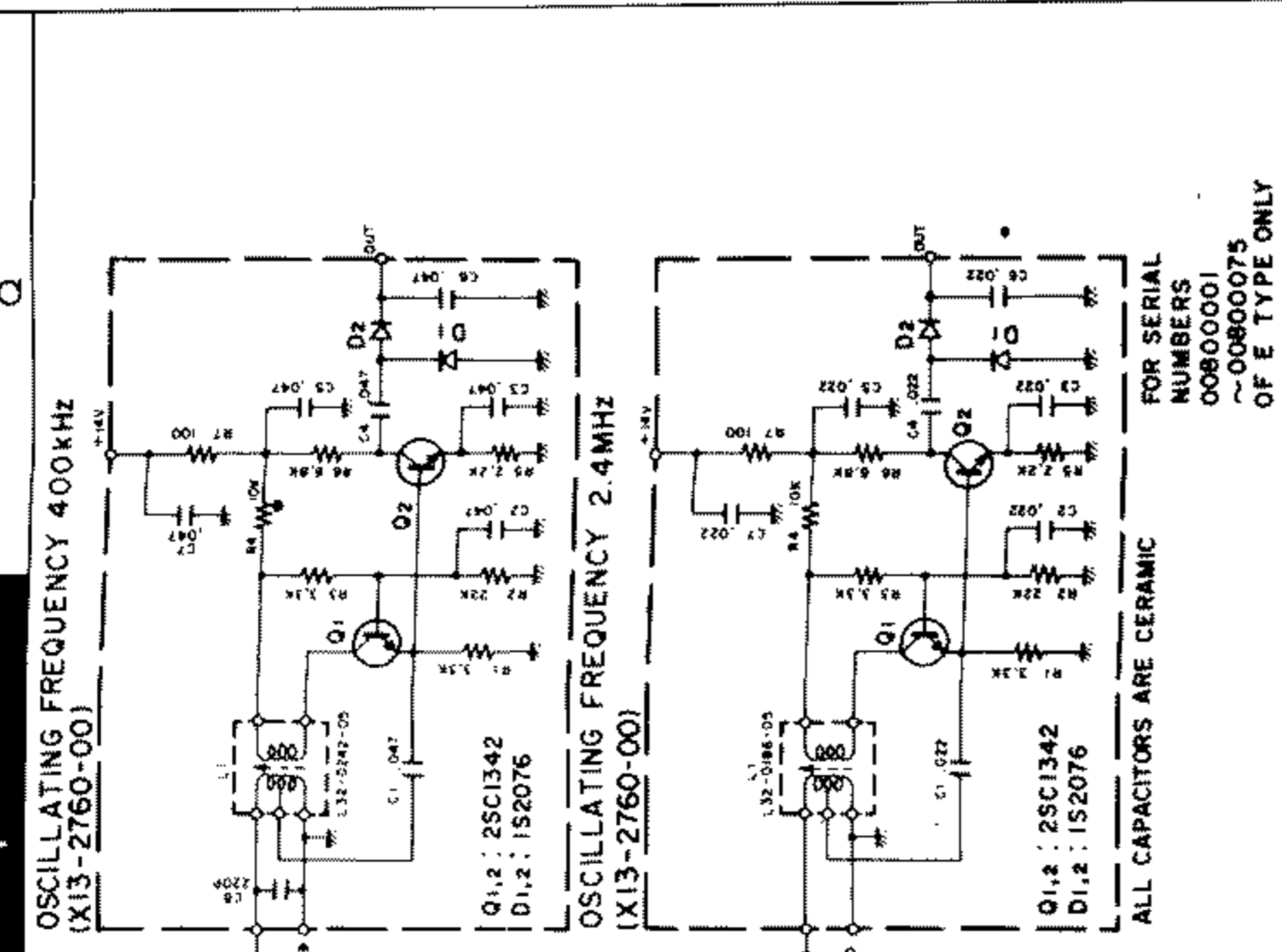
Kenwood follows a policy of continuous advancements in development. For this reason specifications may be changed without notice.

Kenwood strebt ständige Verbesserungen in der Entwicklung an. Daher bleiben Änderungen der technischen Daten jederzeit vorbehalten.

Kenwood poursuit une politique de progrès constants en ce qui concerne le développement. Pour cette raison, les spécifications sont sujettes à modifications sans préavis.

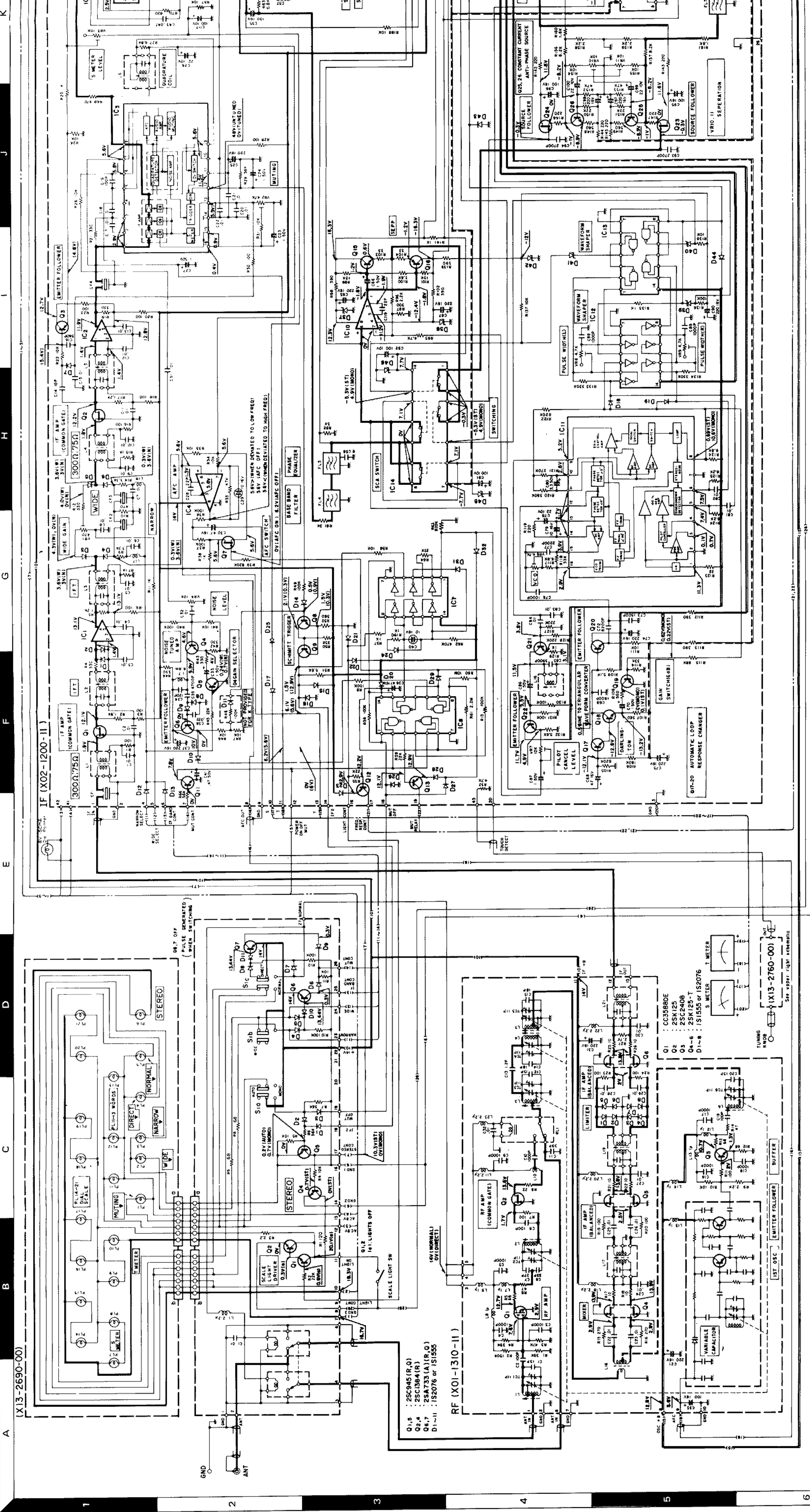


PC BOARD PARTS	0-11	0-70	0-81	2-7L
K	No	X	U	E
C25-28	No	No	No	Yes
R31	Yes	No	No	No
C103, 104	1500PF	1500PF	3300PF	1500PF
C05, 106	3300PF	1500PF	1500PF	1500PF
R48	No	No	Yes	Yes
D11	No	Yes	Yes	Yes



Q1-9	Q10, 11	D12	D15, 16	D18-20	D1, 6-8
Q1-9	Q10, 11	D12	D15, 16	D18-20	D1, 6-8
Q14	Q27-30	Q21			
D47	D34	D46	D35	D36	D49
IC15	IC6, 9	VR5			

DC voltages are measured by a 25 kΩ/V VOM while receiving in STEREO mode and when scale lamps unit.



IC1	IC2	IC3	IC4	IC5	IC6	IC7	IC8	IC9	IC10	IC11	IC12	IC13	IC14	IC15	IC16	IC17	IC18	IC19	IC20
VR1	VR2	VR3	VR4	VR5	VR6	VR7	VR8	VR9	VR10	VR11	VR12	VR13	VR14	VR15	VR16	VR17	VR18	VR19	VR20
Q1	Q2	Q3	Q4	Q5	Q6	Q7	Q8	Q9	Q10	Q11	Q12	Q13	Q14	Q15	Q16	Q17	Q18	Q19	Q20
D1	D2	D3	D4	D5	D6	D7	D8	D9	D10	D11	D12	D13	D14	D15	D16	D17	D18	D19	D20
LA1231	LA1232	LA1233	LA1234	LA1235	LA1236	LA1237	LA1238	LA1239	LA1240	LA1241	LA1242	LA1243	LA1244	LA1245	LA1246	LA1247	LA1248	LA1249	LA1250
TA7060P	TA7060P	TA7060P	TA7060P	TA7060P	TA7060P	TA7060P	TA7060P	TA7060P	TA7060P	TA7060P	TA7060P	TA7060P	TA7060P	TA7060P	TA7060P	TA7060P	TA7060P	TA7060P	TA7060P
HA1457	HA1457	HA1457	HA1457	HA1457	HA1457	HA1457	HA1457	HA1457	HA1457	HA1457	HA1457	HA1457	HA1457	HA1457	HA1457	HA1457	HA1457	HA1457	HA1457
25K125T	25K125T	25K125T	25K125T	25K125T	25K125T	25K125T	25K125T	25K125T	25K125T	25K125T	25K125T	25K125T	25K125T	25K125T	25K125T	25K125T	25K125T	25K125T	25K125T

