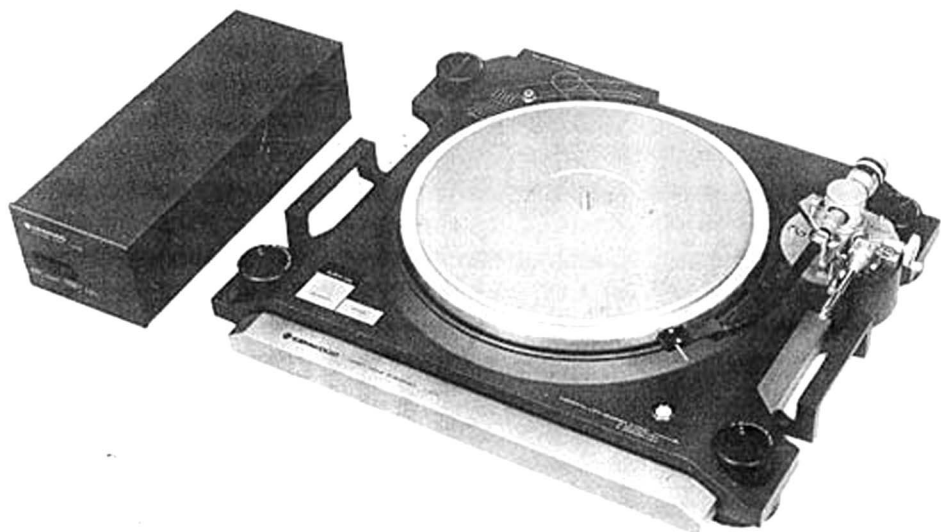




KENWOOD
HI/FI STEREO COMPONENTS

SERVICE MANUAL

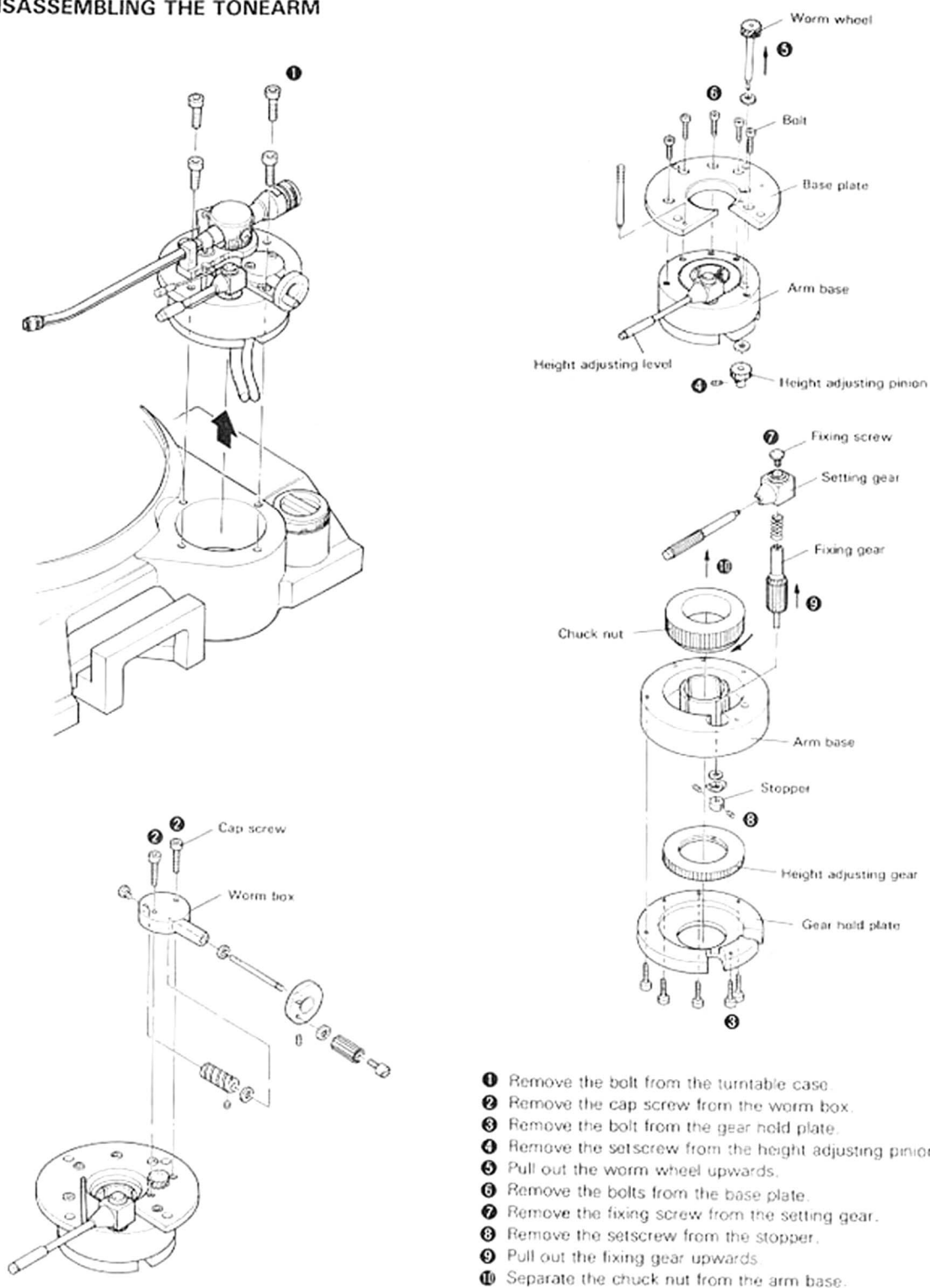
L-07D



QUARTZ PLL DIRECT DRIVE TURNTABLE

DISASSEMBLY FOR REPAIR

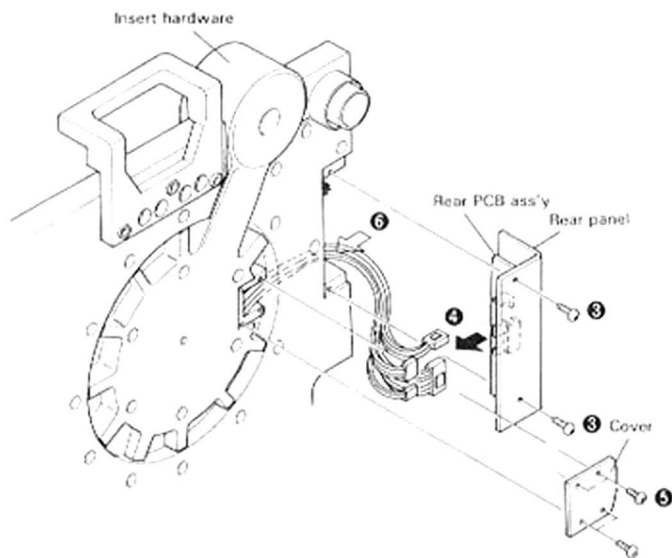
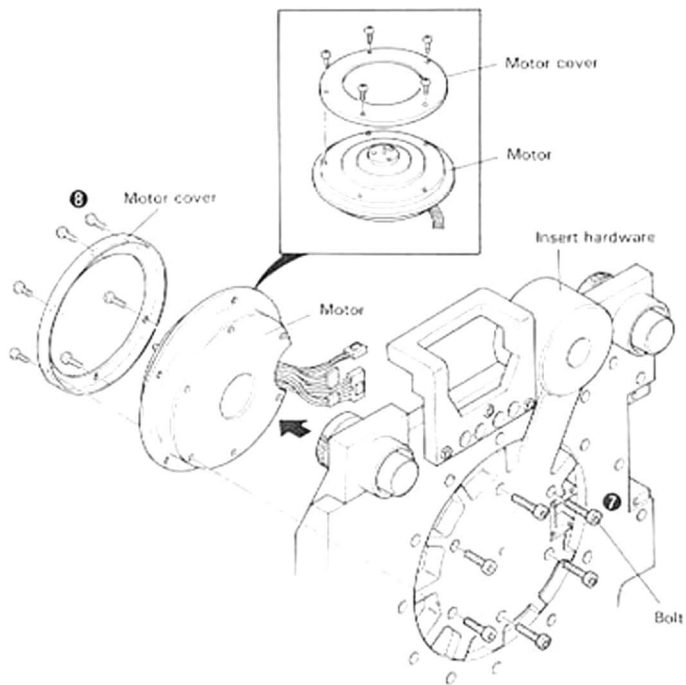
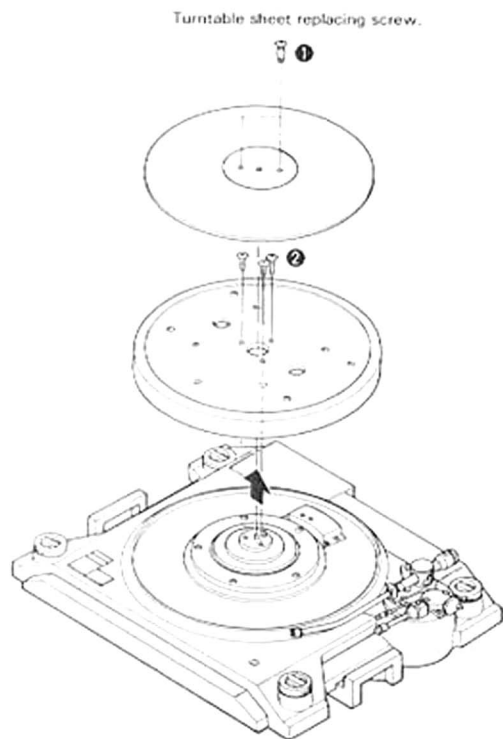
1. DISASSEMBLING THE TONEARM



- ❶ Remove the bolt from the turntable case.
- ❷ Remove the cap screw from the worm box.
- ❸ Remove the bolt from the gear hold plate.
- ❹ Remove the setscrew from the height adjusting pinion.
- ❺ Pull out the worm wheel upwards.
- ❻ Remove the bolts from the base plate.
- ❼ Remove the fixing screw from the setting gear.
- ❽ Remove the setscrew from the stopper.
- ❾ Pull out the fixing gear upwards.
- ❿ Separate the chuck nut from the arm base.

DISASSEMBLY FOR REPAIR

2. REPLACING THE MOTOR

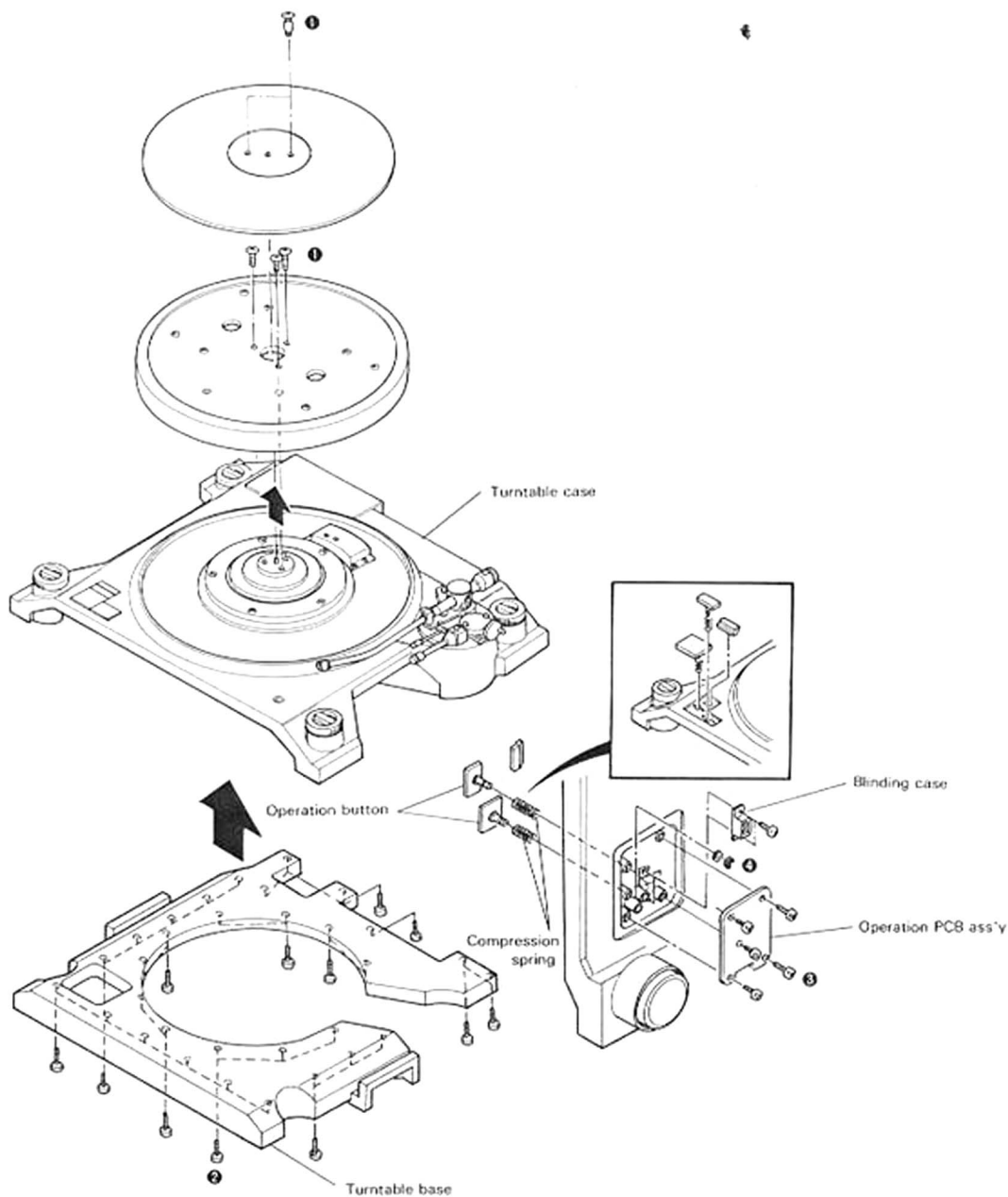


- 1 Remove the turntable sheet with the replacing screw.
- 2 Remove the screws from the turntable platter.
- 3 Remove the rear panel from the turntable base.
- 4 Pull out the connectors from the rear PCB ass'y.
- 5 Remove the cover from the insert hardware.
- 6 Insert the connectors into the clearance between the turntable base and the turntable case.
- 7 Remove the bolts from the insert hardware.
- 8 Remove the motor cover from the motor.

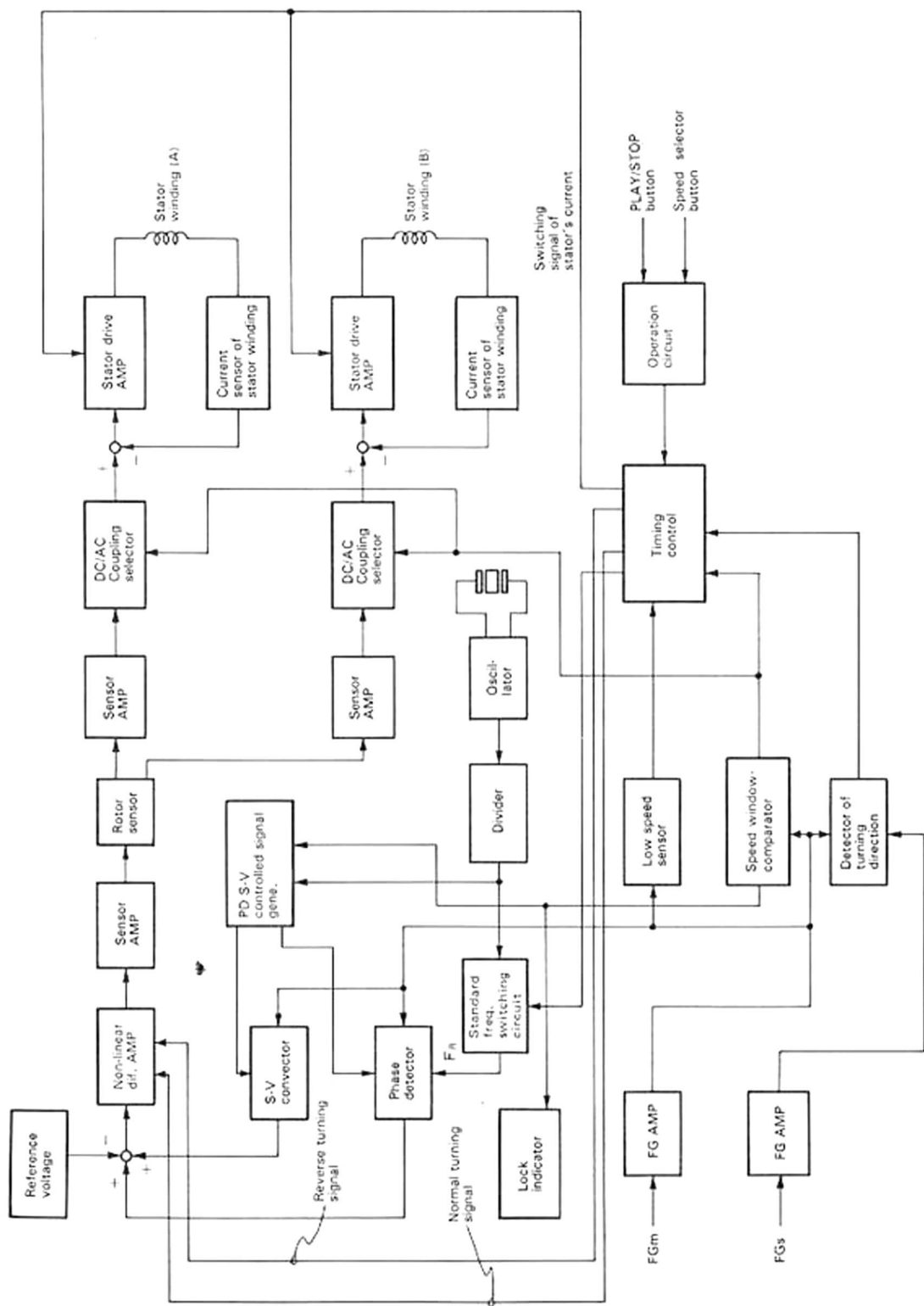
DISASSEMBLY FOR REPAIR

3. CONTROL PCB ASS'Y DETACHMENT

- ❶ Remove the turntable sheet and the turntable platter.
- ❷ Remove the screws from the turntable base.
- ❸ Remove the screws from the PCB ass'y.
- ❹ Remove E ring from the operation button.

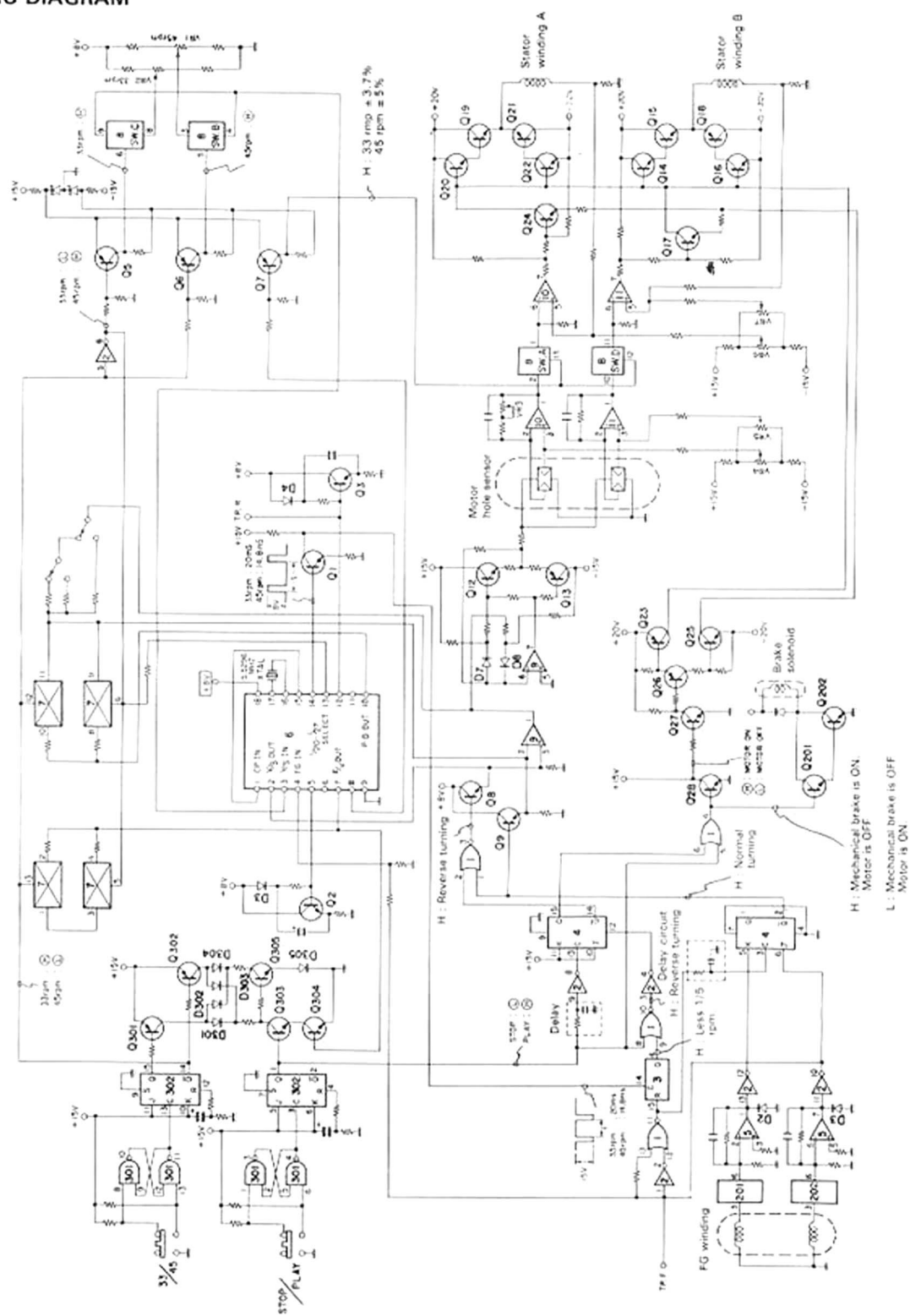


BLOCK DIAGRAM



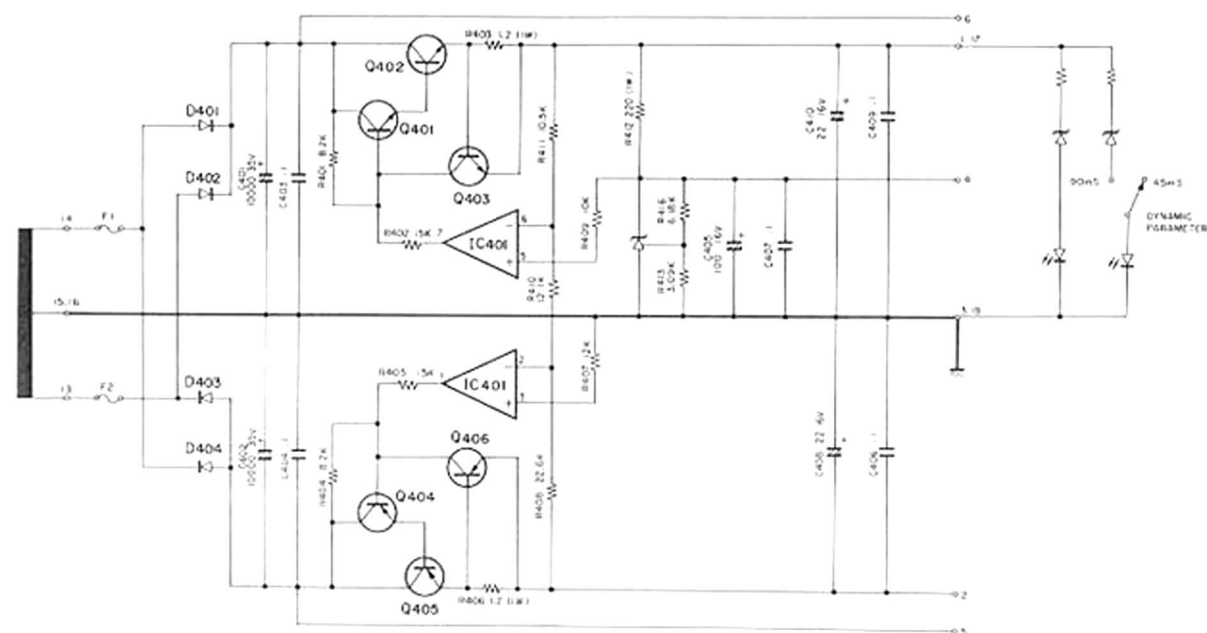
LOGIC DIAGRAM

LOGIC DIAGRAM

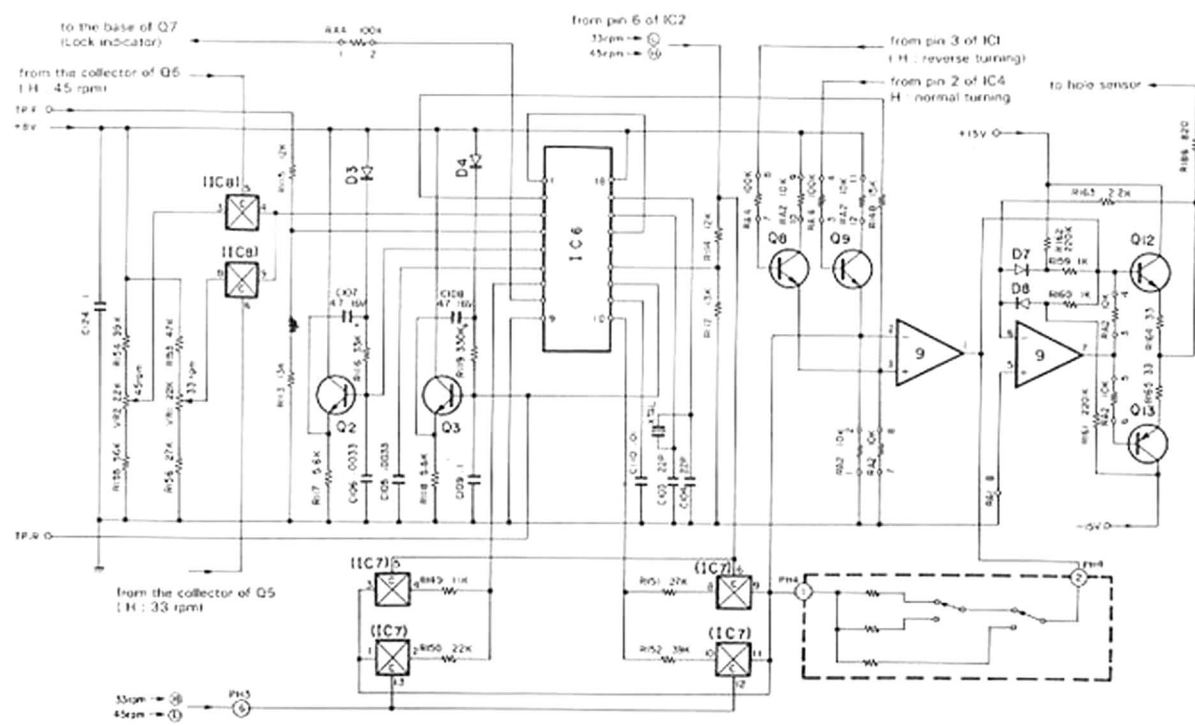


LOGIC DIAGRAM

POWER SUPPLY

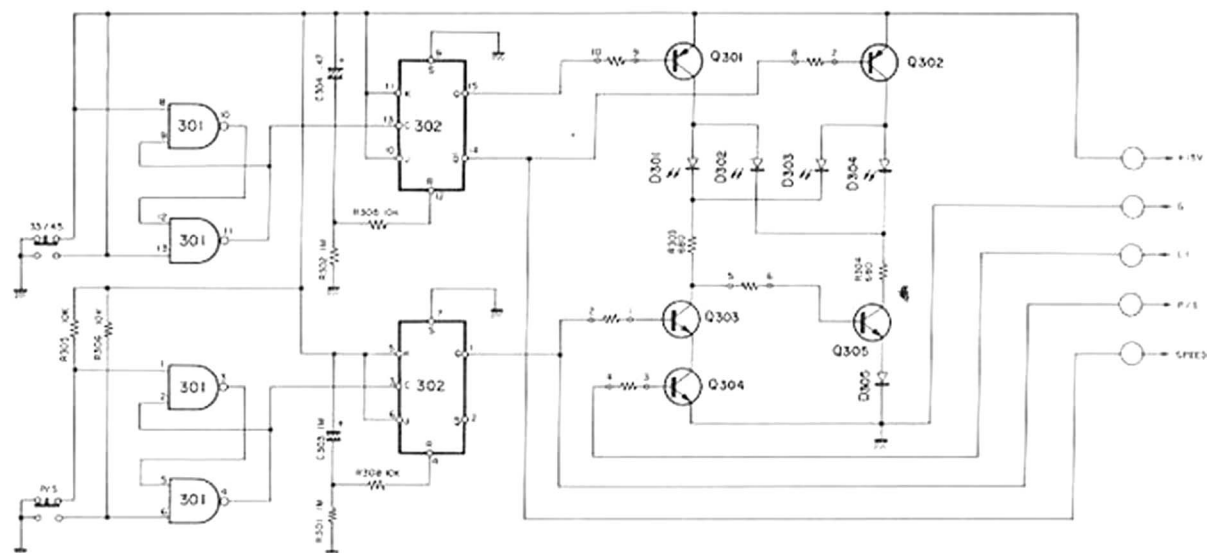


CONTROL UNIT LOGIC DIAGRAM

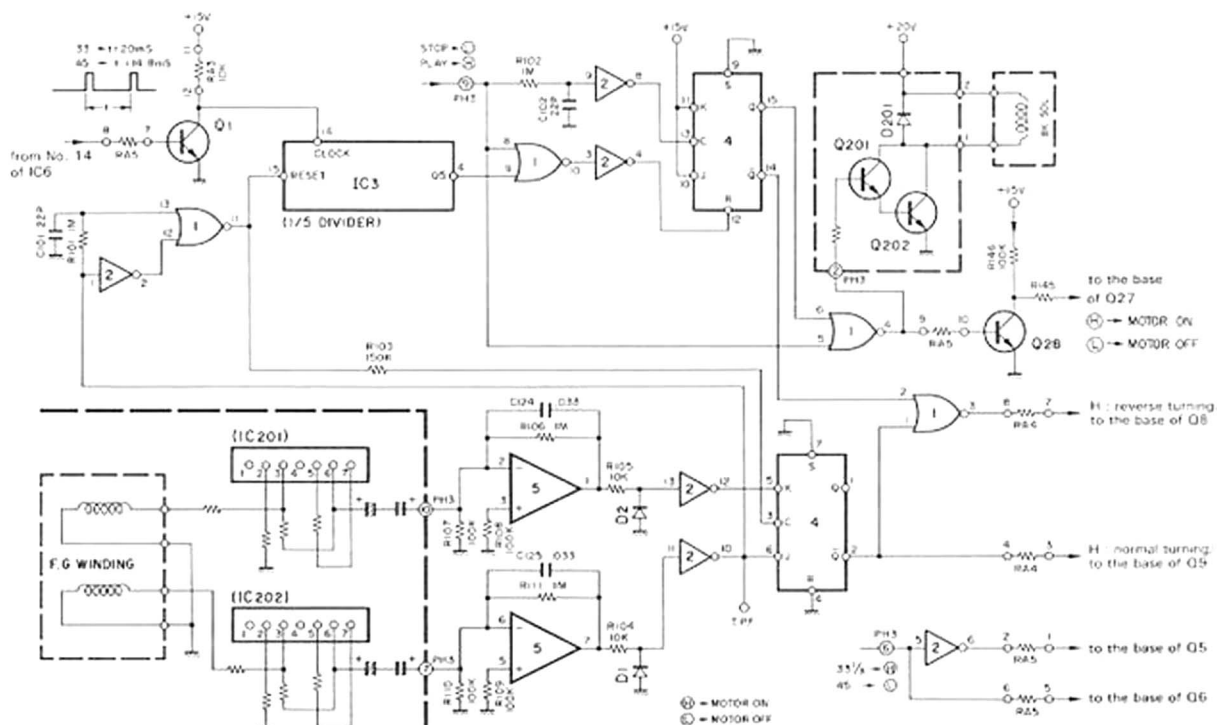


LOGIC DIAGRAM

CONTROL SWITCH UNIT LOGIC DIAGRAM

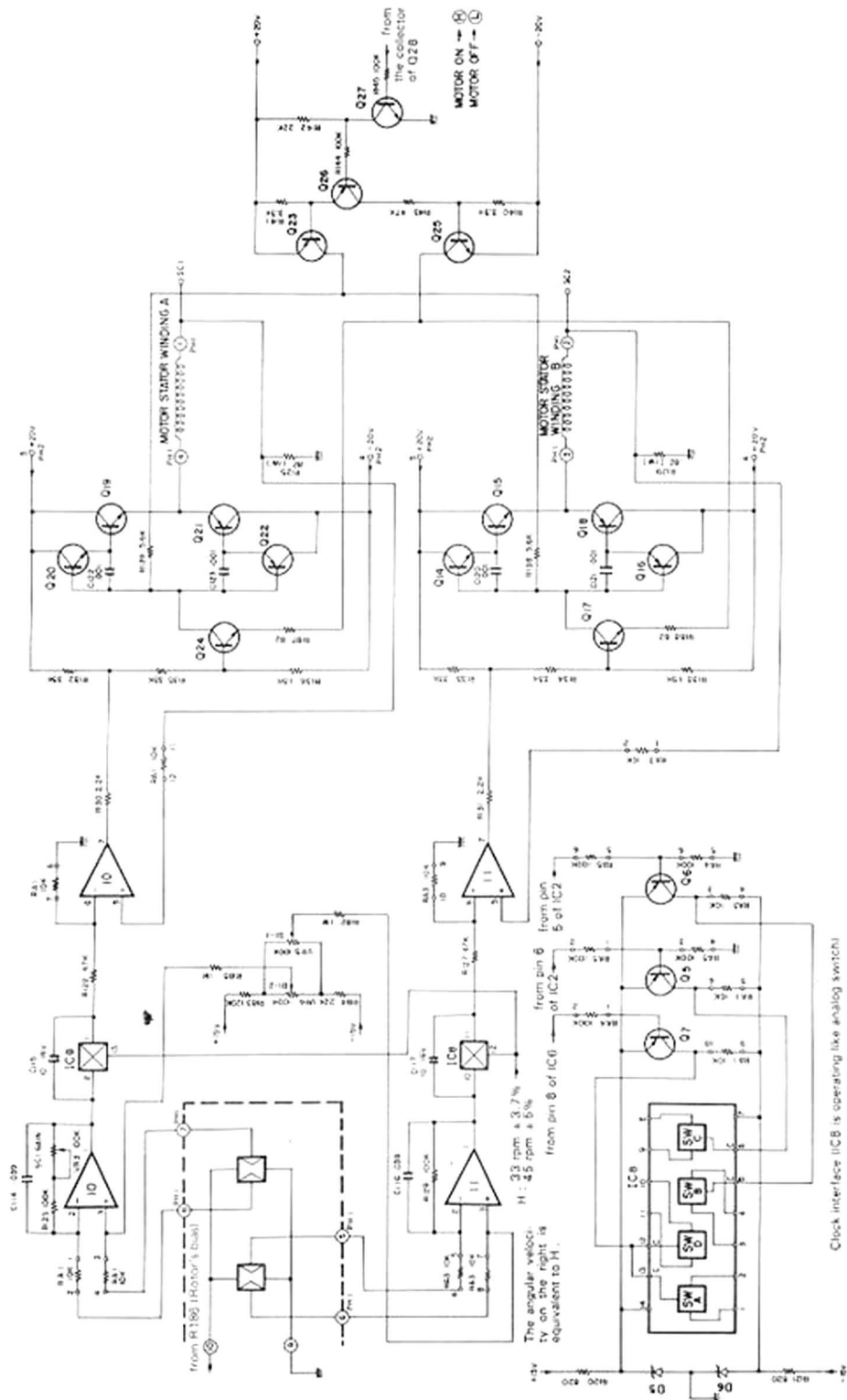


OPERATION UNIT LOGIC DIAGRAM

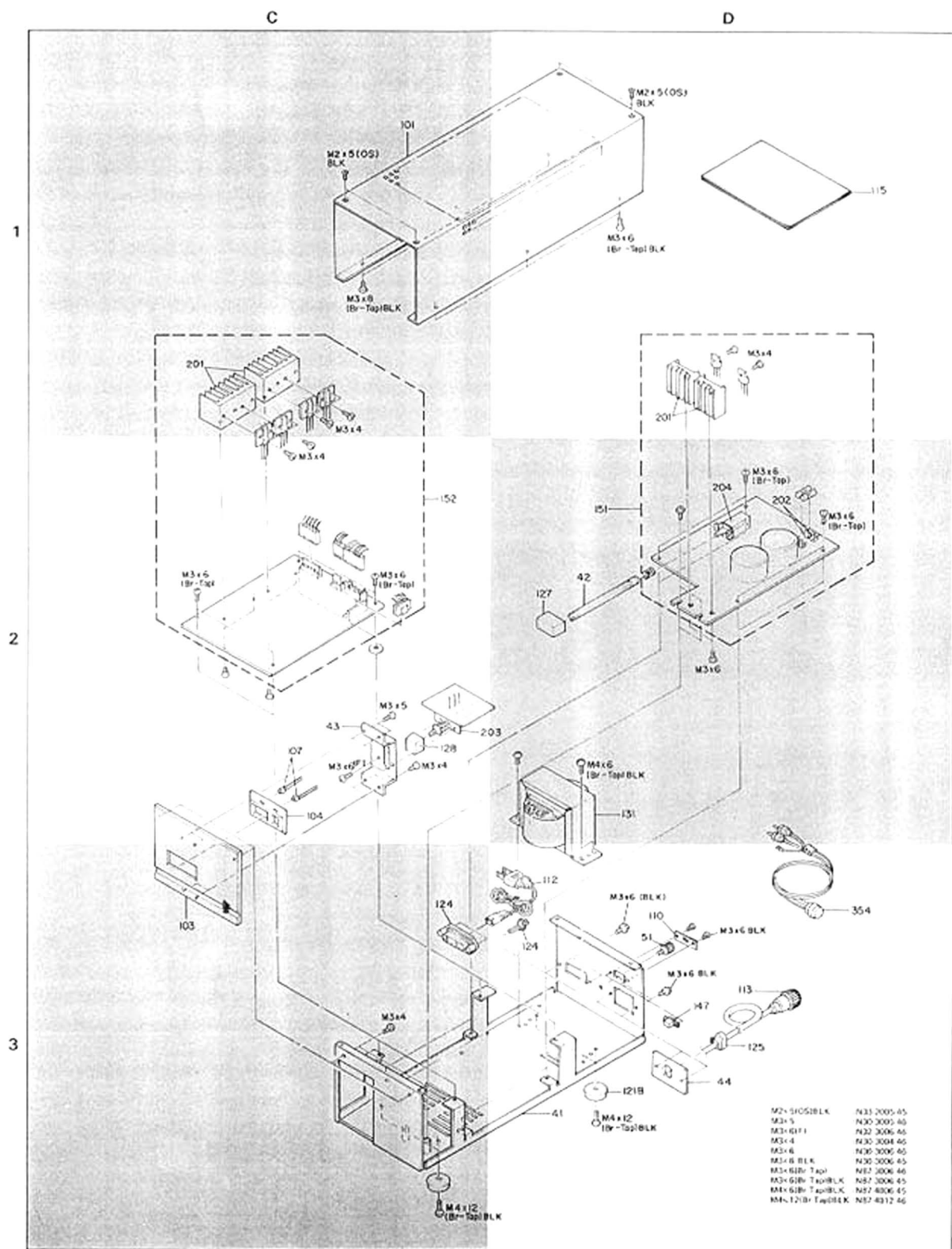


LOGIC DIAGRAM

MOTOR DRIVE UNIT LOGIC DIAGRAM



EXPLODED VIEW



ADJUSTMENT

BEFORE ADJUSTMENT

- Recommended equipment are the oscilloscope having input impedance of 1 M ohms or more.
- Motor should be loaded with the turntable platter and the turntable sheet.
- Set the turntable to the even position.
- Set the slide switch mounted on the rear panel of the power supply unit to "NORMAL" position.
- Set the "DYNAMIC PARAMETER RANGE" switch on the front panel of the power supply unit to "18 ms" position.

L-07D has 7 adjustment points. Use the following procedure to adjust the trimming potentiometers.

PLL ADJUSTMENT

1. Connect the oscilloscope to TPR on the control PCB ass'y.
2. Push the POWER switch ON.
3. Set the sweep time and the VARIABLE/HOR. gain on the oscilloscope so that the width of the one period waveform is 100 mm as in Fig. 1.
4. Set the speed selector indicator to 33 1/3 rpm by pressing the operation button.
5. Turn the trimming potentiometer VR33 so that the waveform of TPR is in Fig. 2.
6. For 45 rpm adjustment, turn the trimming potentiometer VR45 and follow the same procedures for 33 rpm.

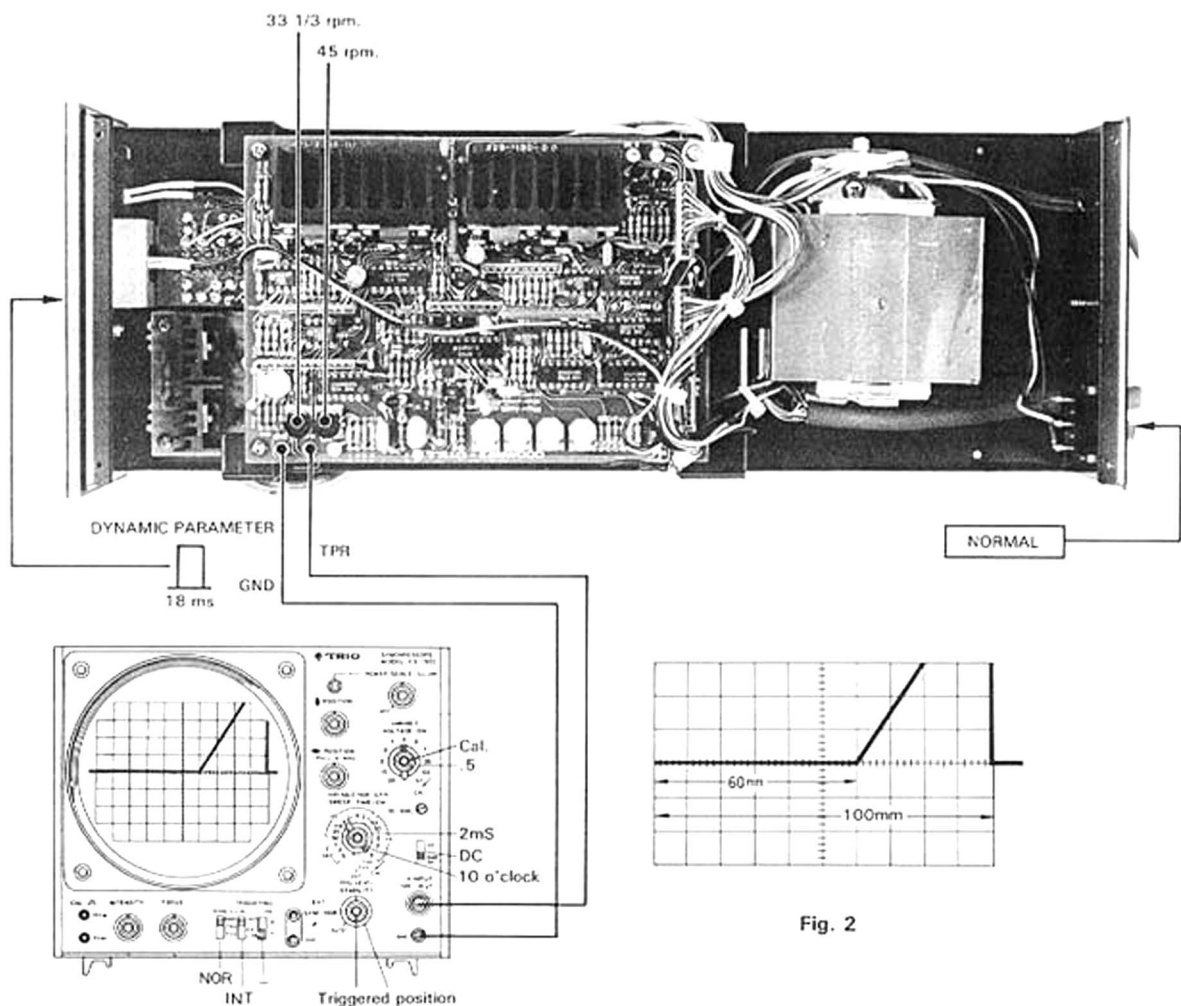


Fig. 1

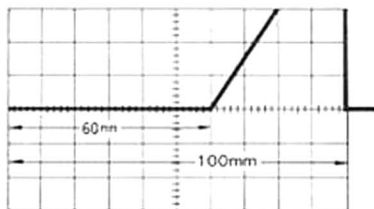


Fig. 2

ADJUSTMENT

OFFSET ADJUSTMENT AT START

1. Connect a storage oscilloscope to SC-1 on the control PCB ass'y.
2. Meet the GND level to the horizontal center scale of the oscilloscope.
3. Set the speed to 33-1/3 rpm by pressing the operation button.

4. Turn the trimming pot. BI-1 so that the upper peak of the waveform comes above the GND level as shown in Fig. 3.
5. Reconnect the probe of the oscilloscope to SC-2.
6. For 45 rpm adjustment, turn the trimming pot. BI-2 and follow the same procedure for 33-1/3 rpm.

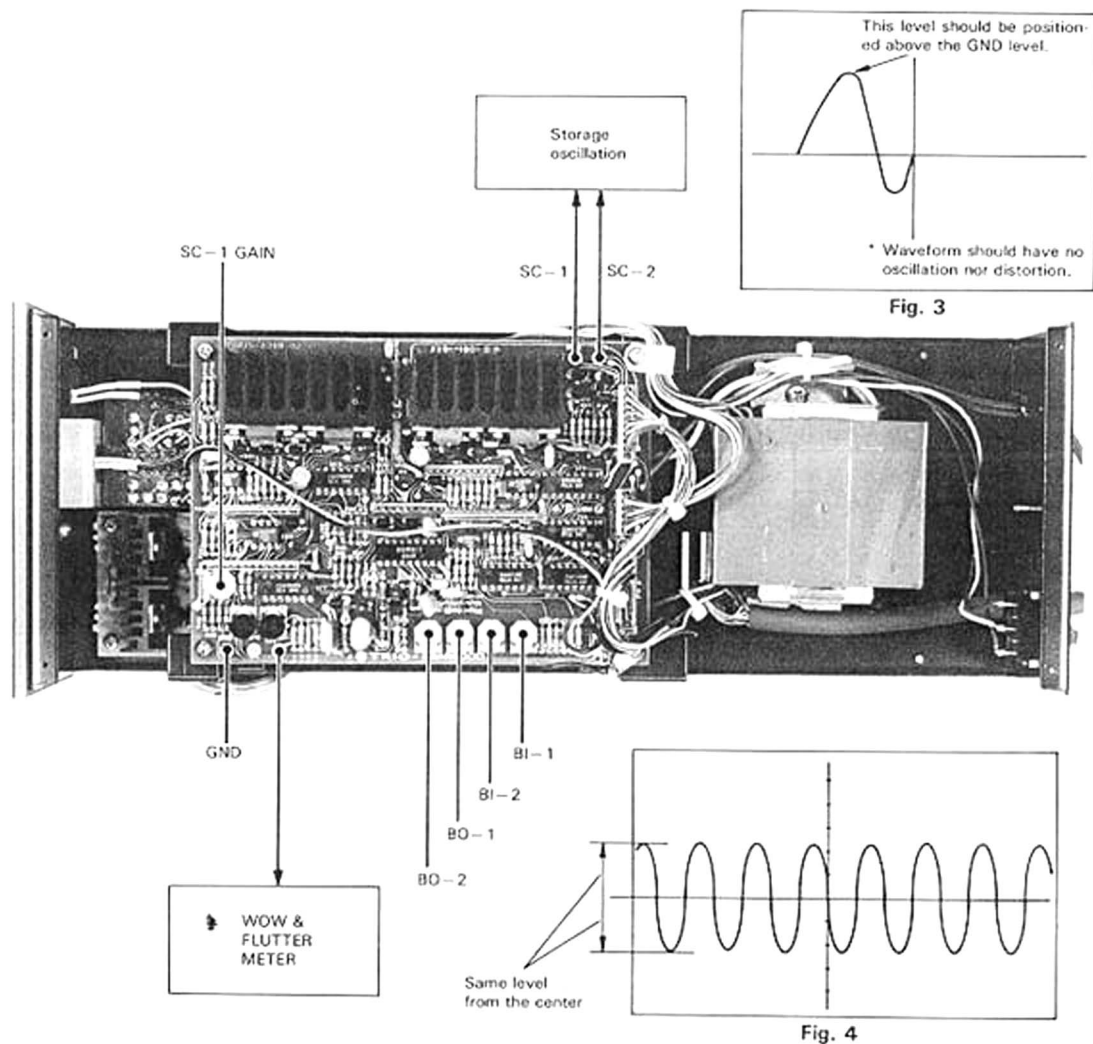


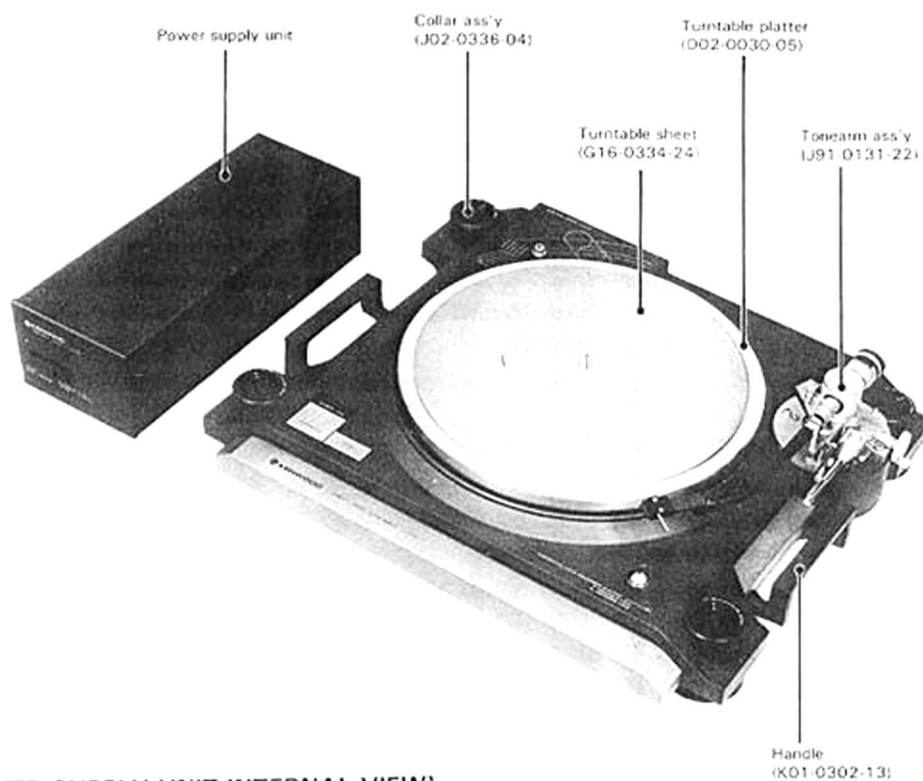
Fig. 4

OFFSET ADJUSTMENT DURING PLAYBACK

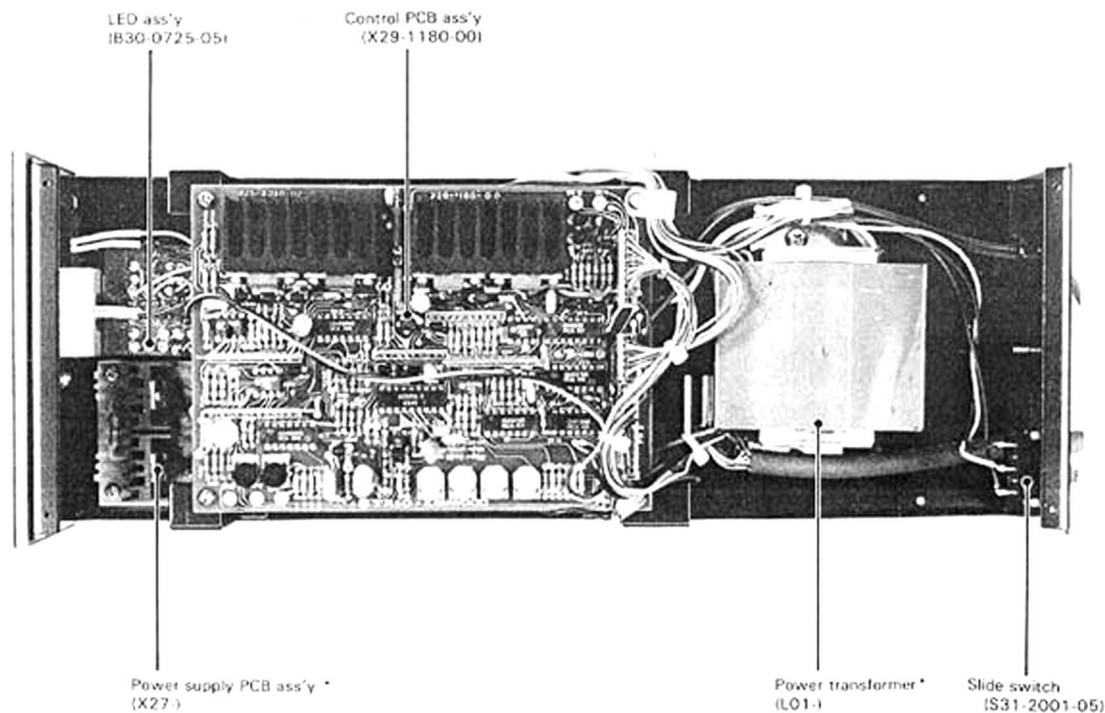
1. Connect a storage oscilloscope to SC-1 on the control PCB ass'y.
2. Meet the GND level to the horizontal center scale of the oscilloscope.
3. Set the speed to 33-1/3 rpm by pressing the operation button.

4. Turn the trimming pot. BO-1 so that the amplitude in both positive and negative direction be the same from the GND level as shown in Fig. 4.
5. Reconnect the probe of the oscilloscope to SC-2.
6. For 45 rpm adjustment, turn the trimming pot. BO-2 and follow the same procedures for 33-1/3 rpm.

EXTERNAL VIEW



[POWER SUPPLY UNIT INTERNAL VIEW]



* Refer to parts list

PARTS LIST

INSTRUCTION FOR PARTS LIST

Ref. No. 参照番号	Parts No. 部品番号	Description 部品名/規格	Remarks 備考
②			
①	14 JA	A20-1391-13	FRONT PANEL ASSY
	14 JA	A20-1417-13	FRONT PANEL ASSY
	15 JA	A21-0302-03	DRESSING PANEL
	15 JA	A21-0302-03	DRESSING PANEL
	15 JA	A21-0302-03	DRESSING PANEL
⑤	C1 -C2	C54-0310-25	CERAMIC 0.01UF F
	C1	C30-0145-05	POLYESTER 0.01UF AC125V
	C1	C91-0021-05	CERAMIC 0.01UF AC250V
	C1	C91-0022-05	CERAMIC 0.01UF AC250V
	C1	C91-0025-05	CERAMIC 0.01UF AC125V

- ① Exploded view drawing No.
 ② Position in exploded view.
 ③ Symbol of new parts.
 ④ Area to which parts are shipped. Example: A20-1390-13 is the part No. of FRONT PANEL ASSY for the "K" type products (for U.S.A.). When this column is blank, it means that the same type of parts (same parts No.) are used for the products shipped to all areas.
 ⑤ Reference No. in schematic diagram.
 ⑥ Abbreviation of "ceramic capacitor".

- All capacitors and resistors are listed using abbreviations.
- Abbreviations
- Abbreviations of capacitors (Parts No. with initial letter "C")
 - ELECTRO Electrolytic capacitor
 - LL-ELEC Low leak electrolytic capacitor
 - NP-ELEC Non-pole electrolytic capacitor
 - MICA Mica capacitor
 - POLYSTY Polystyrene capacitor
 - MYLAR Mylar capacitor
 - CERAMIC Ceramic capacitor
 - TANTAL Tantalum capacitor
 - MF Metallized film capacitor
 - MP Metallized paper capacitor
 - OIL Oil capacitor
 - The unit "UF" is used in lieu of "μF".
 - Abbreviations of resistors (Parts No. with initial letters "R")
 - RC Carbon composition resistor
 - RD Carbon film resistor
 - FL-PROOF RD Flame-proof carbon film resistor
 - RW Wire wound power resistor
 - FL-PROOF RS Flame-proof metal oxide film resistor
 - RN Metal film resistor
 - FUSE-RESIST Resistor with fuse function
 - 2B Rated wattage 1/8W
 - 2E Rated wattage 1/4W
 - 2H Rated wattage 1/2W
 - 3A Rated wattage 1W
 - 3D Rated wattage 2W
 - 3F Rated wattage 3W
 - 3G Rated wattage 4W
 - 3H Rated wattage 5W
 - All resistor values are indicated with the unit (Ω) omitted.
 - Abbreviations common to capacitors and resistors.
 - C ±0.25pF (Used for capacitors only)
 - D ±0.5pF (Used for capacitors only)
 - F ±1%
 - G ±2%
 - J ±5%
 - K ±10%
 - M ±20%
 - Z +80%, -20% (Used for capacitors only)
 - P +100%, -0% (Used for capacitors only)
- Resistors RD (carbon composition resistors) are not listed in the parts list. For values, refer to the schematic diagram.
- Code in

Ref. No. 参照番号	Parts No. 部品番号	Description 部品名/規格	Remarks 備考
L-07D UNIT			
1 1B	-	TONEARM ASSY	
2 2F	-	INSERT HARDWARE	
3 1A	-	MOTOR COVER	
4 1D	-	BRAKE ASSY	
5 1D	-	CONNECTOR ASSY	
6 1B	-	BRAKE CASE	
7 1B	-	FELT WASHER	
8 1D	-	BRAKE LEVER	
9 2D	-	FIXING LEVER	
10 2D	-	FIXING GEAR	
11 2D	-	WORM GEAR BOX ASSY	
12 2D	-	SHAFT HOLDER	
13 2H	-	WORM GEAR	
14 2D	-	WORM SHAFT	
15 2D	-	ADJUST WHEEL	
16 2D	-	ADJUST KNOB	
17 2D	-	TONEARM BASE	
18 3F	-	GEAR HOLD PLATE	
19 2D	-	BASE PLATE	
20 1D	-	WORM WHEEL	
21 2D	-	FIXING GEAR	
22 2D	-	FIXING SPRING	
23 2F	-	FIXING SCREW	
24 2F	-	FIXING GEAR NUT	
25 2D	-	HEIGHT BAR	
26 2E	-	POLYSLIDER WEASHER	
28 1E	-	REAR PANEL	
29 2D	-	STOPPER SHAFT	
30 3A	-	TURNTABLE BASE	
31 1B	-	SPACER	
32 2B	-	C RING	
35 2B	-	ABSORBER LOCKING KNOB	
36 3B	-	COLLAR	
38 3B	-	FOOT	
39 2D	-	ABSORBER DIAL	
40 2A	-	ABSORBER	
41 3C	-	CHASSIS	
42 2C	-	JOINT	
43 2C	-	SWITCH MOUNTING HARDWARE	
44 3C	-	CORD STOPPER	
45 2B	-	HEIGHT ADJUST PINION	
46 3B	-	CHUCK NUT	
47 3B	-	MOTOR COVER	
48 2B	-	HEIGHT ADJUST SCREW	
49 2A	-	MOTOR SPACER	
50 2B	-	WAVED WASHER	
51 2D	N08-0128-35	GND SCREW	
101 1C	A01-0611-22	COVER	*
102 3A	A02-0321-21	TURNTABLE CASE	*
103 3C	A20-1990-03	FRONT PANEL	*T
103 3C	A20-1991-03	FRONT PANEL	*K
103 3C	A20-1991-03	FRONT PANEL	MS
103 3C	A20-1991-03	FRONT PANEL	WX
103 3C	A20-1991-03	FRONT PANEL	UP
103 3C	A20-1991-03	FRONT PANEL	H
-	B46-0055-20	WARRANTY CARD	F
-	B46-0060-00	WARRANTY CARD	T
-	B46-0061-20	WARRANTY CARD	K
-	B46-0062-20	WARRANTY CARD	U
-	B46-0063-13	WARRANTY CARD	U

PARTS LIST

Ref. No. 参照番号	Parts No. 部品番号	Description 部品名 / 規格	Re- marks 備考	Ref. No. 参照番号	Parts No. 部品番号	Description 部品名 / 規格	Re- marks 備考
-	B46-0064-10	WARRANTY CARD	X	-	H20-1104-04	POLY COVER	•
-	B50-2365-00	INSTRUCTION MANUAL	*K	-	H20-1105-04	POLY COVER	•
-	B50-2365-00	INSTRUCTION MANUAL	MS	-	H25-0029-04	POLY COVER	•
-	B50-2365-00	INSTRUCTION MANUAL	XU	-	H25-0078-04	POLY COVER	•
-	B50-2365-00	INSTRUCTION MANUAL	H	-	H39-0015-05	STOPPER	MS
-	B50-2367-00	INSTRUCTION MANUAL	T	-	H39-0015-05	STOPPER	T-
-	B50-2386-00	OS-20 INST. MANUAL	•	-	H39-0015-05	STOPPER	XP
-	B50-2399-00	INSTRUCTION MANUAL	M-	-	H39-0015-05	STOPPER	H
-	B50-2399-00	INSTRUCTION MANUAL	P	121B 30	J02-0325-15	RUBBER FOOT	•
-	B59-0018-00	SERVICE STATIONS* LIST	U	122 2A	J02-0336-14	COLLAR ASSY	•
104 2C	B07-0593-14	ESCUTCHEON	•	123 3H	J19-1927-53	TONEARM BASE ASSY	•
105 2A	B08-0201-14	ACRYL INDICATOR	•	124 30	J41-0034-05	CORD PUSHING	•
106 2A	B23-0401-25	LEVEL	•	125 30	J42-0318-05	CORD PUSHING	•
107 2C	B30-0725-05	LED ASSY	•	126 30	K01-0302-13	HOCK	•
108 1A	D02-0030-05	TURNABLE PLATIER	•	127 20	K27-0329-04	KNOB (A)	•
109 1B	D31-0005-04	BRAKE SHOE	•	128 2C	K27-0330-04	KNOB (B)	•
110 3D	D32-0080-24	SLITCH STOPPER	•	129 2A	K29-0692-04	OPERATION BUTTON (1)	•
111 2H	D40-0481-14	WORM BOX ASSY	•	130 2A	K29-0693-04	OPERATION BUTTON (2)	•
112 3D	E30-0181-05	POWER CORD	KP	131 20	L01-6291-05	POWER TRANSFORMER	*K
112 3D	E30-1305-15	POWER CORD	MU	131 2D	L01-6291-05	POWER TRANSFORMER	P
112 3D	E30-1326-05	POWER CORD	ST	131 2D	L01-6294-05	POWER TRANSFORMER	MS
112 3D	E30-1329-05	POWER CORD	WH	131 2D	L01-6294-05	POWER TRANSFORMER	TW
112 3D	E30-1341-05	POWER CORD	X	131 2D	L01-6294-05	POWER TRANSFORMER	XU
113 3D	E30-1343-05	CONNECTOR ASSY	•	131 2D	L01-6294-05	POWER TRANSFORMER	H
124 3D	E03-0102-05	3P CONNECTOR	MS	132 2B	N09-0878-14	KNOB SCREW	•
124 3D	E03-0102-05	3P CONNECTOR	TW	133 2B	N09-0885-05	BOLT	•
124 3D	E03-0102-05	3P CONNECTOR	XU	134 3A	N09-0886-05	BOLT	•
124 3D	E03-0102-05	3P CONNECTOR	H	135 2B	N09-0889-04	BOLT	•
114 2B	F07-0656-13	SUB ARM COVER	•	136 2B	N09-0890-04	BOLT	•
115 1D	F09-0305-14	TURNABLE COVER	•	137 1A	N09-0894-05	FLAT HEAD SCREW	•
116 2A	F15-0514-04	BLIND CASE ASSY	•	138 1B	N09-0895-05	FLAT HEAD SCREW	•
F1 2	F05-2023-05	FUSE (2A)	MS	139 2B	N09-0906-05	BOLT	•
F1 2	F05-2023-05	FUSE (2A)	XU	140 3A	N09-0907-05	SETScrew	•
F1 2	F05-2029-05	FUSE (2A)	TW	141 3A	N09-0912-05	BOLT	•
F1 2	F05-2029-05	FUSE (2A)	H	143 1B	N19-0016-04	POLYSLIDER WASHER	•
F1 2	F06-2027-05	FUSE (2A)	KP	144 2B	N19-0018-04	POLYSLIDER WASHER	•
117 1B	G01-0744-14	TENSION SPRING (1)	•	145 2B	N19-0025-04	POLYSLIDER WASHER	•
118 1B	G01-0745-04	TENSION SPRING (2)	•	146 20	N19-0143-04	POLYSLIDER WASHER	•
119 2A	G01-0762-14	COMPRESSION SPRING	•	147 30	S31-2001-05	SLIDE SWITCH	•
120 1B	G13-0457-14	RUBBER CUSHION	•	148 2A	T43-0020-05	MOTOR ASSY	•
121 1A	G16-0334-24	TURNABLE SHEET	•	149 1B	T94-0061-15	SOLENOID	•
-	H01-2390-14	CARTON BOX	*K	-	W01-0310-05	SILICONE CLOTH	•
-	H01-2390-14	CARTON BOX	MS	-	W01-0325-03	DUST PLATTER	•
-	H01-2390-14	CARTON BOX	*K	150 2B	X25-1550-00	REAR PCB ASSY	•
-	H01-2390-14	CARTON BOX	UP	151 20	X27-1390-01	POWER SUPPLY PCB ASSY	*K
-	H01-2390-14	CARTON BOX	H	151 20	X27-1390-01	POWER SUPPLY PCB ASSY	P
-	H01-2392-04	CARTON BOX (PWR SPPLY)	XU	151 20	X27-1390-02	POWER SUPPLY PCB ASSY	MS
-	H01-2392-04	CARTON BOX (PWR SPPLY)	H	151 20	X27-1390-02	POWER SUPPLY PCB ASSY	XU
-	H01-2392-04	CARTON BOX (PWR SPPLY)	P	151 20	X27-1390-03	POWER SUPPLY PCB ASSY	TW
-	H01-2395-04	CARTON BOX (PWR SPPLY)	T	151 20	X27-1390-03	POWER SUPPLY PCB ASSY	H
-	H01-2396-04	CARTON BOX (PWR SPPLY)	•	152 2C	X29-1180-00	CONTROL PCB ASSY	•
-	H01-2397-14	CARTON BOX	T	REAR (X25-1550-xx)			
-	H10-2262-02	POLYSTYRENE FIXTURE(A)	•	C1 -4	C24-1210-67	ELECTRO 10UF 16V	•
-	H10-2263-02	POLYSTYRENE FIXTURE(B)	•	D201	V11-0295-05	W06B	•
-	H10-2264-02	POLYSTYRENE FIXTURE(C)	•	IC201,202	V30-0122-05	T47136P	•
-	H10-2265-13	POLYSTYRENE FIXTURE(D)	•	Q201	V03-0346-05	Z5C945(P,Q)	•
-	H12-0370-02	BUFFER FIXTURE (A)	•	Q202	V04-0882-20	Z5D882(G,R)	•
-	H12-0371-03	BUFFER FIXTURE (B)	•	POWER SUPPLY (X27-1390-xx)			
-	H12-0373-03	BUFFER FIXTURE (C)	•				

Note 1

REAR PCB ass'y for USA (K type) is mounted on fast function resistor having part No. R92-0513-05 and changed to X25-1550-01

PARTS LIST

Re- marks 備考	Ref. No.	Parts No.	Description	Re- marks 備考	Ref. No.	Parts No.	Description	Re- marks 備考
	参照番号	部品番号	部品名 / 規格		参照番号	部品番号	部品名 / 規格	
	201 10	-	HEAT SINK		CONTROL (X29-1180-00)			
	C303,304	C24-1747-47	ELECTRO 0.47UF 50WV		C101-104	C71-1722-05	CERAMIC 22PF J	
	C307	C24-1222-61	ELECTRO 22UF 16WV		C105	C50-2033-24	POLYSTY 0.0033UF G	
MS	C401,402	C90-0709-05	ELECTRO 10000UF 35WV	*	C106	C91-0332-05	POLYSTY 0.033UF J	
TW	C403,404	C90-0295-05	CERAMIC 0.1UF M		C107,108	C81-1247-56	TANTAL 4.7UF 16WV	
XP	C405	C24-1210-71	ELECTRO 100UF 16WV		C109	C91-0320-05	POLYSTY 0.1UF	
H	C406,407	C90-0270-05	CERAMIC 0.1UF K		C110	C50-2010-34	POLYSTY 0.01UF G	
	C408	C24-1222-61	ELECTRO 22UF 16WV		C111	C24-1222-61	ELECTRO 22UF 16WV	
	C409	C90-0270-05	CERAMIC 0.1UF K		C114	C45-1739-35	MYLAR 0.039UF J	
	C410	C24-1222-61	ELECTRO 22UF 16WV		C115	C90-0708-05	NP-ELEC 10UF 16WV	*
	C411	C54-3310-39	SPARK KILLER	MS	C116	C45-1739-34	MYLAR 0.039UF J	
	C411	C54-3310-39	SPARK KILLER	XU	C117	C90-0708-05	NP-ELEC 10UF 16WV	*
	C411	C54-3310-39	SPARK KILLER	TW	C118-123	C45-1710-25	MYLAR 0.001UF J	
	C411	C54-3310-39	SPARK KILLER	H	C124,125	C45-1733-35	MYLAR 0.033UF J	
	C411	C91-0079-05	SPARK KILLER	KP	C126	C90-0270-05	CERAMIC 0.1UF K	
	C504,505	C25-1722-57	LL-ELEC 2.2UF 50WV		-	L77-1101-05	CRYSTAL OSCILLATOR	*
	-	J31-0436-04	LED HOLDER	*	RA1 -3	R92-0510-05	R MODULE	*
	202 20	J13-0055-05	FUSE HOLDER		RA4 ,5	R92-0509-05	R MODULE	*
	RA302	R92-0509-05	R MODULE	*	R116	R46-2330-24	FL-PROOF RN33K G 2E	
MS	RA301	R92-0510-05	R MODULE	*	R119	R46-2330-34	FL-PROOF RN330K G 2E	
TW	R307,304	R43-5368-15	RO 680 J 2H		R125	R47-1482-85	FL-PROOF R50,82 J 3A	
XU	R403	R47-1412-95	FL-PROOF R51,2 J 3A		R129	R47-1482-85	FL-PROOF R50,82 J 3A	
H	R406	R47-1412-95	FL-PROOF R51,2 J 3A		R148	R48-2150-24	FL-PROOF R4,15K G 2E	
	R408	R48-6222-21	RN 22,6K F 2E		R149	R48-2110-23	RN 11K F 2E	
	R410	R48-6212-21	RN 12,1K F 2E		R150	R48-2220-24	RN 22K G 2E	
	R411	R48-6210-21	RN 10,5K F 2E		R151	R48-2270-24	RN 27K G 2E	
	R412	R47-1522-15	FL-PROOF R5220 J 30		R152	R48-2390-24	RN 39K G 2E	
	R413	R48-2309-13	RN 3,09K F 2E		R153	R48-2470-24	RN 47K G 2E	
	R416	R48-6268-11	RN 6,81K F 2E		R154	R48-2390-24	RN 39K G 2E	
	R501,502	R43-1218-15	FL-PROOF R0180 J 2E		R155	R48-2560-24	RN 56K G 2E	
	S01 203	S40-4303-05	SWITCH	*	R156	R48-2270-24	RN 27K G 2E	
	S02 204	S40-1304-05	POWER SWITCH	KP	VR1 ,2	R12-3305-05	TRIMMING POT 20K	
	S02 204	S40-1306-05	POWER SWITCH	MS	VR3	R12-5031-05	TRIMMING POT 220K	
	S02 204	S40-1306-05	POWER SWITCH	XU	VR4 -7	R12-5030-05	TRIMMING POT 100K	
	S02 204	S40-2306-05	POWER SWITCH	TW	D1 -4	V11-0457-05	IN60	
	S03 ,04	S40-1314-05	SWITCH	H	D5 ,6	V11-4106-10	Y2-058	
	D301	V11-7200-80	PY5505S	*	D7 ,8	V11-0457-05	IN60	
	D302	V11-7200-70	BR5505S	*	IC1	V30-0303-10	CD4001BE	
	D303	V11-7200-80	PY5505S	*	IC1	V30-0303-20	CD4001BCN	
	D304	V11-7200-70	BR5505S	*	IC1	V30-0319-10	MC14001BCP	
	D305	V11-1200-80	1SS53	*	IC1	V30-0385-10	4001BPC	
	D401-404	V11-0270-05	U05B		IC2	V30-0309-10	CD40106BE	
	D501,502	V11-4104-10	X2-100		IC2	V30-0309-20	CD40106BCN	
	IC301	V30-0304-10	CD4011BE		IC2	-	40106BPC	*
	IC301	V30-0304-20	CD4011BCN 4011BPC		IC3	-	4022BPC	*
	IC302	V30-0305-10	CD4027BE MC14027BCP		IC3	V30-0421-10	CD4022BE	*
	IC302	V30-0305-10	CD4027BE MC14027BCP		IC3	-	MC14022BCP	*
	IC302	V30-0305-10	CD4027BE MC14027BCP		IC3	-	CD4022BCN	*
	IC302	V30-0305-10	CD4027BE MC14027BCP		IC3	-	CD4022BPC	*
	IC302	V30-0305-10	CD4027BE MC14027BCP		IC4	V30-0305-10	CD4027BE	*
	IC302	V30-0305-10	CD4027BE MC14027BCP		IC4	V30-0305-20	CD4027BCN	*
	IC301	V30-0385-20	MC4011BPC		IC4	-	4027BPC	*
	IC402	V30-0425-10	TL-431CP	*	IC4	-	MC14027BPC	*
	IC401	V30-0426-10	RC4558P	*	IC4	-	RC4558P	*
	Q301,302	V01-0786-10	ZS4786FLN(Q,R)		IC5	V30-0426-10	RC4558P	*
	Q303-305	V03-2021-10	ZSC2021FLN(R,S)		IC6	V30-0424-10	NSM5819RS	*
	Q401	V03-0348-05	ZSC945(P,Q)		IC7 ,8	V30-0307-10	CD4066BE	
	Q402	V03-0356-05	ZSC1419(B,C)		IC7 ,8	V30-0307-20	CE4066BCN	
	Q403	V03-0348-05	ZSC945(P,Q)		IC7 ,8	V30-0388-10	MC14066BCP	
	Q404	V01-0733-40	ZS4733A(P,Q)		IC7 ,8	-	4066BPC	*
	Q405	V01-0116-05	ZS4755(B,C)		IC9 -11	V30-0426-10	RC4558P	*
	Q406	V01-0733-40	ZS4733A(P,Q)		Q1 -3	V03-0348-05	ZSC945(P,Q)	

PARTS LIST

Ref. No. 参照番号	Parts No. 部品番号	Description 部品名 / 規格	Re- marks 備考	Ref. No. 参照番号	Parts No. 部品番号	Description 部品名 / 規格	Re- marks 備考
Q5 -7	V01-0733-40	2SA733A(P,Q)		-	W01-0035-05	SCREW DRIVER	
Q6 ,9	V03-0348-05	2SC945(P,Q)		-	W01-0320-04	EP ADAPTER	
Q12	V03-0348-05	2SC945(P,Q)					
Q13	V01-0733-40	2SA733A(P,Q)					
Q14	V03-0348-05	2SC945(P,Q)					
Q15	V04-0586-20	2S0586(R,Q)					
Q16	V01-0733-40	2SA733A(P,Q)					
Q17	V03-0348-05	2SC945(P,Q)					
Q18	V02-0616-10	2SB616(R,Q)					
Q19	V04-0586-20	2S0586(R,Q)					
Q20	V03-0348-05	2SC945(P,Q)					
Q21	V02-0616-10	2SB616(R,Q)					
Q22 ,23	V01-0733-40	2SA733A(P,Q)					
Q24 ,25	V03-0348-05	2SC945(P,Q)					
Q26	V01-0733-40	2SA733A(P,Q)					
Q27 ,28	V03-0348-05	2SC945(P,Q)					
TONEARM ASS'Y							
301 1B	-	DRESS NUT ASSY					
302 1B	-	WEIGHT SHAFT					
303 1B	-	LIFTER BASE ASSY					
304 1B	-	TONE ARM REST ASSY					
305 1B	-	PIPE CATCH					
306 1B	-	IFC RING ASSY					
307 1B	-	PIVOT BEARING					
308 1B	-	CANCELLER WEIGHT					
309 1B	-	CANCELLER SCALE					
310 1B	-	SILICONE RUBBER					
311 1B	-	STEEL BALL					
312 1B	-	PAUSE CAM					
313 1B	-	PAUSE CAM NUT					
314 1B	-	LIFTER LEVER					
315 1B	-	LIFTER LEVER KNOB					
316 1B	-	ANGLE ADJUST SCREW					
317 1B	-	PULLEY SHAFT					
318 1B	-	PULLEY					
319 1B	-	PULLEY SCREW					
320 1B	-	ALUMINUM CAN					
351 1B	040-0480-33	TONEARM LIFTER ASSY	*				
352 1B	091-0124-23	WEIGHT ASSY	*				
353 1B	091-0128-24	SUB WEIGHT	*				
354 3B	E30-1336-05	AUDIO CORD ASSY	*				
-	H01-2381-03	CARTON BOX	*				
-	H10-2258-01	POLYSTYRENE FIXTURE(A)	*				
-	H10-2259-01	POLYSTYRENE FIXTURE(B)	*				
-	H25-0029-04	POLY BAG	*				
-	H25-0096-04	POLY BAG	*				
-	H25-0605-14	POLY BAG	*				
355 1B	J19-1943-24	LIFTER SUPPORT	*				
356 1B	J29-0315-24	STRING ASSY	*				
357 1B	J91-0131-22	TONEARM ASSY	*				
358 1B	J92-0059-05	HEAD SHELL ASSY	*				
360 1B	J99-0206-14	FINGER ASSY	*				
-	K01-0303-04	DUST PLATTER KNOB	*				
364 1B	N19-0175-09	MOUNTING WASHER	*				
362 1B	N09-0850-05	MOUNTING SCREW	*				
362 1B	N09-0851-04	MOUNTING SCREW	*				
363 1B	N09-0874-04	SUPPORT SCREW	*				
363 1B	N09-0908-05	MOUNTING SCREW	*				
365 1B	N14-0412-04	MOUNTING NUT	*				

Note:

Component and circuitry are subject to modification to insure best operation under differing local conditions. This manual is based on, the U.S.(K) standard, and provides information on regional circuit modification through use of alternate schematic diagrams, and information on regional component variations through use of parts list.

Region	Code
U.S.A.	K
Canada	P
PX	U
Australia	X
Europe	W
England	T
South Africa	S
Other Areas	M
Audio Club	H